

Quad-channel high-side driver with 16-bit SPI interface for automotive applications


Datasheet - production data



- Undervoltage shutdown
- Overvoltage clamp
- Latch-off or programmable time limited auto restart (power limitation and overtemperature shutdown)
- Load dump protected
- Protection against loss of ground

Features

Channel	V _{CC}	R _{ON} (typ)	I _{LIMH} (typ)
0-1	28 V	25 mΩ	35 A
2-3	28 V	7 mΩ	80 A

- AEC-Q100 qualified 
- General
 - 16-bit ST-SPI for full diagnostic with 8 bits Short Frame option
 - Programmable Bulb/LED mode for ch. 0-1
 - Advanced limp home functions for robust fail-safe system
 - Very low standby current
 - Optimized electromagnetic emissions
 - Very low electromagnetic susceptibility
 - Control through direct inputs and / or SPI
 - Compliant with European directive 2002/95/EC
- Diagnostic functions
 - Multiplex proportional load current sense
 - Synchronous diagnostic of over load and short to GND, output shorted to V_{CC} and OFF-state open-load
 - Programmable case overtemperature warning
- Protection
 - Two levels load current limitation
 - Self limiting of fast thermal transients

Description

The VNQ7003SY is a device made using STMicroelectronics® VIPower® technology. It is intended for driving resistive or inductive loads directly connected to ground. The device is protected against voltage transient on V_{CC} pin.

An 8 bit short frame access to output control registers is provided allowing PWM control through SPI with high granularity.

An analog current feedback for each channel is connected to the CURRENT-SENSE pin via a multiplexer. The device detects open-load in OFF-state conditions.

Real time diagnostic is available through the SPI bus (open-load, output short to V_{CC}, overtemperature, communication error, power limitation or latch off).

Output current limitation protects the device in an over load condition. The device can limit the dissipated power to a safe level up to thermal shutdown intervention. Thermal shutdown can be configured as latched off or programmable time limited auto restart.

The device enters a limp home mode in case of loss of digital supply (V_{DD}), reset of digital memory or watchdog monitoring time-out event. In this mode states of channel 0, 1, 2 or 3 are respectively controlled by four dedicated pins IN0, IN1, IN2 and IN3. Channel 0 and 1 can be programmed via SPI for load type (BULB/ LED mode).

Contents

1	Block diagram and pin description	8
2	Functional description	11
2.1	Device interfaces	11
2.2	Operating modes	11
2.2.1	Startup transition phase	11
2.2.2	Reset mode	11
2.2.3	Fail Safe mode	12
2.2.4	Normal mode	13
2.2.5	Standby mode	15
2.2.6	Sleep mode 1	17
2.2.7	Sleep mode 2	17
2.2.8	Battery undervoltage mode	17
2.2.9	Limp Home mode	19
3	Protections	23
3.1	Pre-warning	23
3.2	Junction overtemperature (OT)	23
3.3	Power limitation (PL)	24
4	SPI functional description	26
4.1	SPI communication	26
4.1.1	Signal description	26
4.1.2	Connecting to the SPI bus	27
4.1.3	SPI mode	27
4.2	SPI protocol	28
4.2.1	SDI format	28
4.2.2	SDO format	29
4.2.3	Operating code definition	29
4.2.4	Special commands	32
4.3	Register map	33
4.3.1	Global Status byte description	33
4.3.2	RAM	34
4.3.3	ROM	35

4.3.4	SPI modes	36
4.4	Output switching slopes control	38
4.5	Output control	38
4.6	Control registers	40
4.6.1	Address 0x00h — Control Register (CTLR)	40
4.6.2	Address 0x01h — Direct Input Enable Control Register (DIENCR)	41
4.6.3	Address 0x02h — Open-load OFF-State Control Register (OLOFFCR)	42
4.6.4	Address 0x03h — Channel Control Register (CCR)	42
4.6.5	Address 0x04h — Fast Switching Configuration Register (FASTSWCR)	42
4.6.6	Address 0x06h — current sense Multiplexer Control Register (CSMUXCR)	43
4.6.7	Address 0x07h — SPI Output Control Register (SOCR)	43
4.6.8	Address 0x08h — Channel Latch OFF Timer Control Register (ch0, ch1) (CHLOFFTCR0,1)	44
4.6.9	Address 0x09h — Channel Latch OFF Timer Control Register (ch2, ch3) (CHLOFFTCR2,3)	44
5	Diagnostic	46
5.1	Analogue diagnostic	46
5.2	Digital diagnostic	46
5.2.1	Status registers	48
5.3	Over load (VDS high voltage, Over Load (OVL))	48
5.4	Open-load ON-state detection	49
5.5	Open-load OFF-state detection	49
5.6	Address 0x2Fh — DIENSR: Direct Input Status register	50
5.7	Address 0x30h — Channel Feedback Status Register (CHFBSR)	51
5.8	Address 0x31h — Open-load OFF-State / Stuck to VCC Status Register (OLOFFCR)	51
5.9	Address 0x32h — Channels latch-off status register (CHLOFFSR)	52
5.10	Address 0x33h — VDS Feedback Status Register (VDSFSR)	52
5.11	Address 0x34h — Generic Status Register (GENSR)	53
5.12	Address 0x3Fh — Configuration Register (CONFIG)	53
6	Programmable blanking window	57
6.1	Timer	57
6.2	Blanking window values	57

6.3	Limp Home mode	58
6.4	Registers	58
7	Electrical specifications	60
7.1	Absolute maximum ratings	60
7.2	Thermal data	61
7.3	SPI electrical characteristics	61
7.4	Electrical characteristics	66
7.4.1	BULB mode	69
7.4.2	LED mode (Channel 0, 1)	74
8	ISO Pulse	78
9	Application schematics	79
10	Package and PCB thermal data	81
10.1	PowerSSO-36 thermal data	81
11	Maximum demagnetization energy (VCC = 16 V)	86
12	Package information	88
12.1	PowerSSO-36 package information	88
12.2	PowerSSO-36 packing information	90
12.3	PowerSSO-36 marking information	93
13	Order codes	94
14	Revision history	95

List of tables

Table 1.	Pin functionality description	9
Table 2.	Frame 1: write CTRL 0x00	13
Table 3.	Frame 1: read (ROM) 0x3FH 0x--	13
Table 4.	Frame 1: write CTRL 0x10	14
Table 5.	Frame 2: write CTRL 0x01	14
Table 6.	Frame 1: write CTRL 0x10	16
Table 7.	Frame 2: write CTRL 0x20	16
Table 8.	Frame 2: write CTRL 0x11	16
Table 9.	Frame 2: write CTRL 0x20	16
Table 10.	Operating modes	19
Table 11.	SPI signal description	26
Table 12.	Command byte	28
Table 13.	Input data byte	28
Table 14.	Global status byte	29
Table 15.	Output data byte	29
Table 16.	Operating codes	30
Table 17.	0xFF: SW_Reset	32
Table 18.	Clear all status registers (RAM access)	32
Table 19.	Global status byte	33
Table 20.	RAM memory map	34
Table 21.	ROM memory map	35
Table 22.	SPI Mode	36
Table 23.	SPI Burst Read	36
Table 24.	SPI Data Length	37
Table 25.	SPI 8 bit Frame	37
Table 26.	SPI Data Consistency Check	37
Table 27.	Switching slopes	38
Table 28.	Write SOCR 0x06	38
Table 29.	Write SOCR Dummy	39
Table 30.	Truth table	39
Table 31.	CTLR — Control Register	40
Table 32.	DIENCR — Direct Input Enable Control Register	41
Table 33.	OLOFFCR — Open-load OFF-state control register	42
Table 34.	CCR — Channel control register	42
Table 35.	FASTSWCR — Fast Switching Configuration Register	42
Table 36.	CSMUXCR — Current sense Multiplexer Control Register	43
Table 37.	Truth table for current sense Mux Control	43
Table 38.	SOCR — SPI Output Control Register	43
Table 39.	Channel configuration	44
Table 40.	CHLOFFTCR0,1 — Channel Latch OFF Timer Control Register (ch0, ch1)	44
Table 41.	CHLOFFTCR2,3 — Channel Latch OFF Timer Control Register (ch2, ch3)	44
Table 42.	Status registers	48
Table 43.	STKFLTR state	50
Table 44.	DIENSR — Direct Input Status register	50
Table 45.	CHFBSR — Channel Feedback Status Register	51
Table 46.	STKFLTR — Open-load OFF-State / Stuck to VCC Status Register	51
Table 47.	CHLOFFSR — Channels latch-off status register	52
Table 48.	VDSFSR — VDS Feedback Status Register	52

Table 49.	GENSR — Generic Status Register	53
Table 50.	CONFIG — Configuration Register	53
Table 51.	Time values written by MCU and their real value in timer register	58
Table 52.	Absolute maximum ratings	60
Table 53.	Thermal data	61
Table 54.	DC characteristics - Mode 1	61
Table 55.	DC characteristics - Mode 2	63
Table 56.	AC characteristics (SDI, SCK, CSN, SDO pins) - Mode 1	64
Table 57.	AC characteristics (SDI, SCK, CSN, SDO pins) - Mode 2	64
Table 58.	Dynamic characteristics - Mode 1	64
Table 59.	Dynamic characteristics - Mode 2	65
Table 60.	VREG pin - Mode 1	66
Table 61.	Power section	67
Table 62.	Logic inputs (IN0,1,2,3 pins)	67
Table 63.	Protection	68
Table 64.	Open-load detection ($7V < VCC < 18 V$)	68
Table 65.	BULB - power section	69
Table 66.	BULB - switching ($VCC = 13 V$; Normal switch mode)	69
Table 67.	BULB - switching ($VCC = 13 V$; Fast switch mode)	70
Table 68.	BULB - protection and diagnostic	71
Table 69.	BULB - Current sense ($7 V < VCC < 18 V$, channel 0,1; $T_j = -40\text{ }^{\circ}\text{C}$ to $150\text{ }^{\circ}\text{C}$)	71
Table 70.	BULB - Current sense ($7 V < VCC < 18 V$, channel 2,3; $T_j = -40\text{ }^{\circ}\text{C}$ to $150\text{ }^{\circ}\text{C}$)	72
Table 71.	LED - power section	74
Table 72.	LED - switching ($VCC = 13 V$; Normal switch mode)	74
Table 73.	LED - switching ($VCC = 13 V$; Fast switch mode)	75
Table 74.	LED - protection and diagnosis	75
Table 75.	LED - Current sense ($7 V < VCC < 18 V$; $T_j = -40\text{ }^{\circ}\text{C}$ to $150\text{ }^{\circ}\text{C}$)	75
Table 76.	ISO 7637-2 - electrical transient conduction along supply line	78
Table 77.	Component values	79
Table 78.	PCB properties	82
Table 79.	Thermal parameters	84
Table 80.	PowerSSO-36 mechanical data	89
Table 81.	Reel dimensions	91
Table 82.	PowerSSO-36 carrier tape dimensions	91
Table 83.	Device summary	94
Table 84.	Document revision history	95

List of figures

Figure 1.	Block diagram	8
Figure 2.	Connection diagram (top view—not to scale)	9
Figure 3.	Battery undervoltage shutdown diagram	18
Figure 4.	Undervoltage shutdown	19
Figure 5.	Device state diagram	22
Figure 6.	Thermal shutdown	24
Figure 7.	Power limitation	25
Figure 8.	Supported SPI mode	27
Figure 9.	Bus master and two devices in a normal configuration	28
Figure 10.	SDI Frame 8 bits	29
Figure 11.	SDO Frame 8 bits	29
Figure 12.	SPI write operation	30
Figure 13.	SPI read operation	31
Figure 14.	SPI read and clear operation	31
Figure 15.	SPI read device information	32
Figure 16.	VNQ7003SY: 4-channel direct input block diagram	40
Figure 17.	Diagnostic registers	47
Figure 18.	Open-load OFF-state detection	50
Figure 19.	Diagnostic flowchart based on GSB	54
Figure 20.	Diagnostic flowchart for open-load off-state respectively stuck to VCC failure	55
Figure 21.	Diagnostic flowchart for digital overload detection	56
Figure 22.	Internal timer process	57
Figure 23.	VNQ7003SY CHLOFFSR	59
Figure 24.	SPI dynamic characteristics	66
Figure 25.	Current sense delay characteristics	77
Figure 26.	Switching characteristics	77
Figure 27.	M0-7 SPI Standard connection SPI only	79
Figure 28.	M0-7 SPI standard, full connection	80
Figure 29.	PowerSSO-36 PC board	81
Figure 30.	Rthj-amb vs PCB copper area in open box free air conditions	82
Figure 31.	PowerSSO-36 thermal impedance junction ambient single pulse	83
Figure 32.	Thermal fitting model for PowerSSO-36	84
Figure 33.	Maximum turn off current versus inductance - Channel 0,1	86
Figure 34.	Maximum turn off current versus inductance - Channel 2,3	86
Figure 35.	PowerSSO-36 package outline	88
Figure 36.	PowerSSO-36 reel 13"	90
Figure 37.	PowerSSO-36 carrier tape	91
Figure 38.	PowerSSO-36 schematic drawing of leader and trailer tape	93
Figure 39.	PowerSSO-36 marking information	93

1 Block diagram and pin description

Figure 1. Block diagram

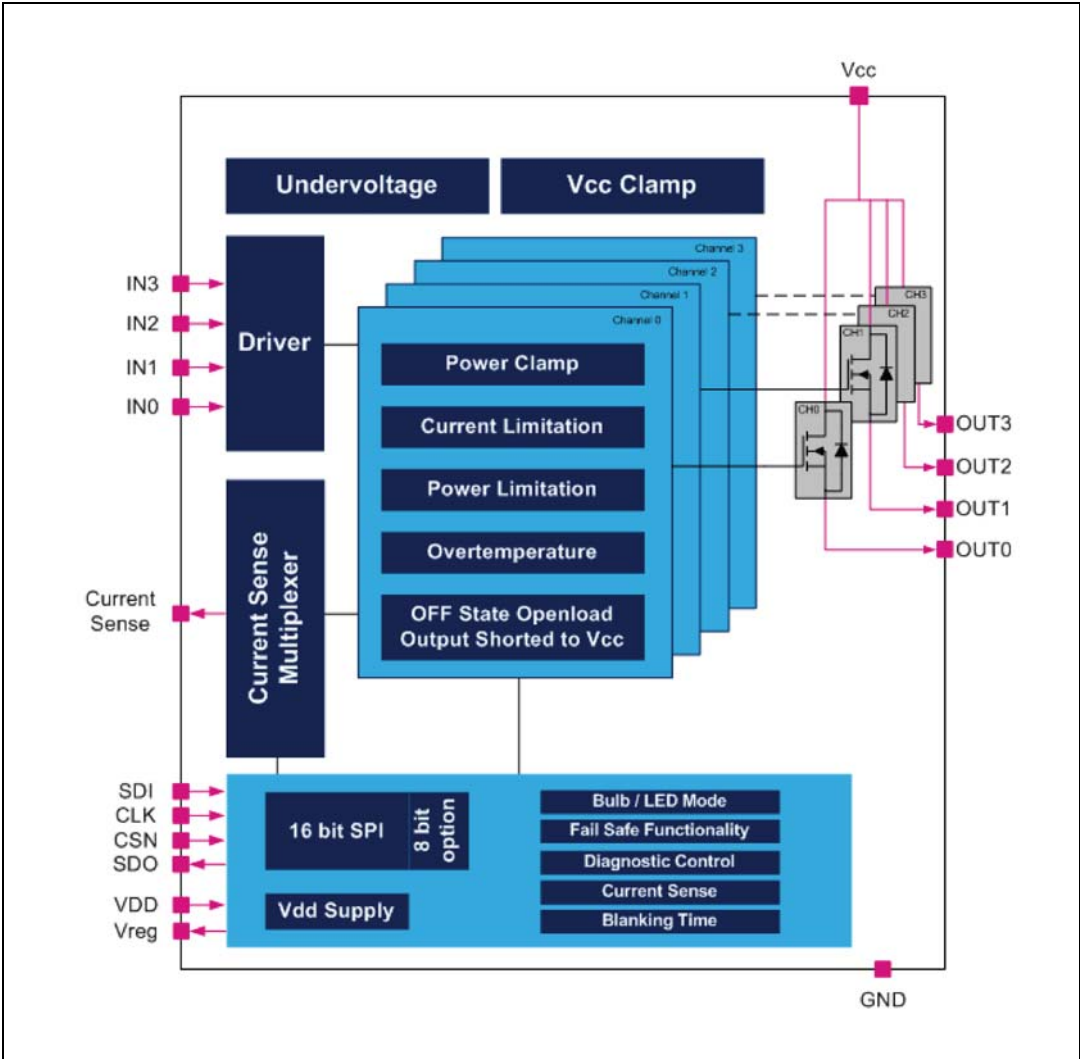
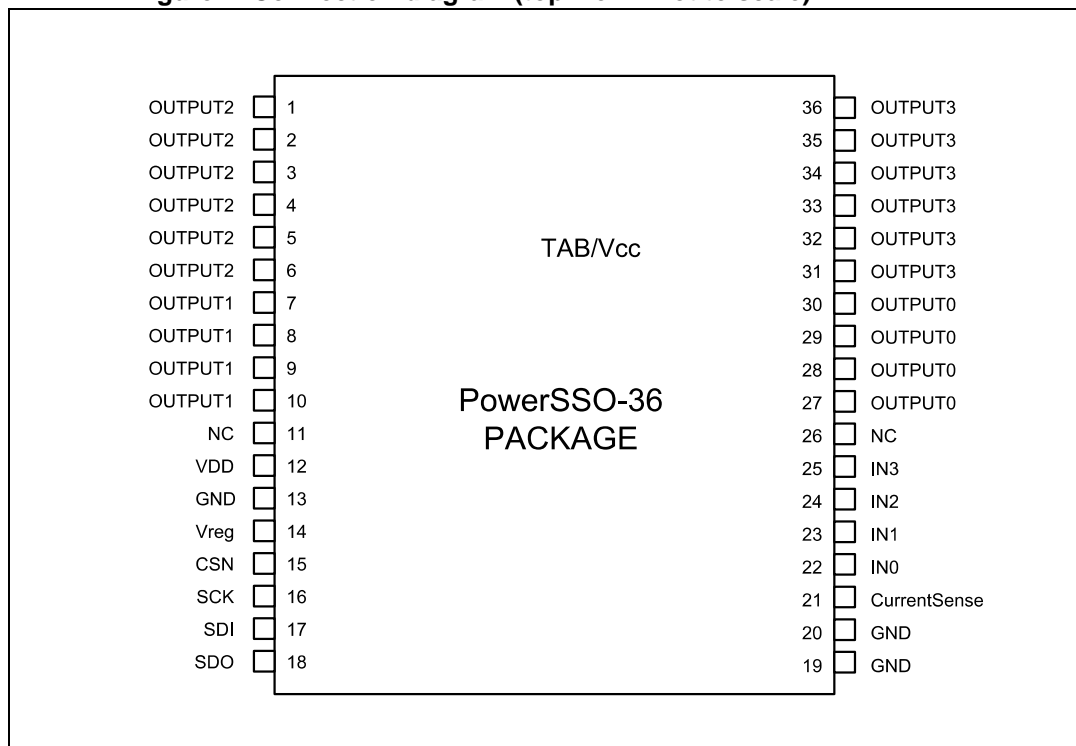


Figure 2. Connection diagram (top view—not to scale)



Note: Pins 31,32,33,34,35 and 36 (OUTPUT3) must be connected together.

Note: Pins 27,28,29 and 30 (OUTPUT0) must be connected together.

Note: Pins 7,8,9 and 10 (OUTPUT1) must be connected together.

Note: Pins 1,2,3,4,5 and 6 (OUTPUT2) must be connected together.

Table 1. Pin functionality description

Pin number	Name	Function
—	V _{CC}	Battery connection. This is the backside TAB and is the direct connection to drain Power MOSFET switches.
19, 20	GND	Ground connection. This pin serves as the ground connection for the logic part of the device.
13	GND	Ground connection. This is a Kelvin ground connection for the logic part of the device and is used to connect an external EMC capacitor to the V _{REG} pin. It must not be connected to application ground.
27, 28,29, 30	OUTPUT0	Power OUTPUT 0. It is the direct connection to the source Power MOSFET switch No. 0.
7, 8, 9, 10	OUTPUT1	Power OUTPUT 1. It is the direct connection to the source Power MOSFET switch No. 1.
1, 2, 3, 4,5, 6	OUTPUT2	Power OUTPUT 2. It is the direct connection to the source Power MOSFET switch No. 2.

Table 1. Pin functionality description (continued)

Pin number	Name	Function
31,32,33, 34,35,36	OUTPUT3	Power OUTPUT 3. It is the direct connection to the source Power MOSFET switch No. 3.
15	CSN	Chip select not (active low). It is the selection pin of the device. It is a CMOS compatible input.
16	SCK	Serial clock. It is a CMOS compatible input.
17	SDI	Serial data input. Transfers data to be written serially into the device on SCK rising edge.
18	SDO	Serial data output. Transfers data serially out of the device on SCK falling edge.
14	V _{REG}	Output of the 3 V regulated internal supply for the digital control. Connect a low ESR capacitor close to this pin.
22	IN0	Direct Input pin for channel 0. Controls the OUTPUT 0 state in limp home mode, is ORed to SPI control register in normal operating mode when corresponding bit is set in DIENCR (Direct Input ENable) control register.
23	IN1	Direct Input pin for channel 1. Controls the OUTPUT 1 state in limp home mode, is ORed to SPI control register in normal operating mode when corresponding bit is set in DIENCR (Direct Input ENable) control register.
24	IN2	Direct Input pin for channel 2. Controls the OUTPUT 2 state in limp home mode, is ORed to SPI control register in normal operating mode when corresponding bit is set in DIENCR (Direct Input ENable) control register.
25	IN3	Direct Input pin for channel 3. Controls the OUTPUT 3 state in limp home mode, is ORed to SPI control register in normal operating mode when corresponding bit is set in DIENCR (Direct Input ENable) control register.
12	V _{DD}	External 5 V or 3.0 V supply. Powers the SPI interface.
21	Current sense	Analog current sense generator proportional to output current. Current sense can be programmed as bulb/LED mode for each channel. The pin can deliver the current sense of OUTPUT 0, 1, 2 or 3. The value of resistance that is connected between the current sense pin and device ground determines the reading level for the microcontroller.
11, 26	NC	Not connected

2 Functional description

2.1 Device interfaces

- SPI: bi-directional interface, accessing RAM/ROM registers (CSN, CLK, SDI, SDO)
- INx: input pins for outputs control while device is in Fail Safe mode, standby mode or Reset mode (usable also in Normal mode according to "Direct Input Enable Control Register" - DIENCR setting)
- Current sense: current-sense output used for analogue monitoring (monitored signal selection via RAM register)
- V_{DD} : 5 V supply / 3 V option: V_{DD} can be shared with microcontroller for 3 V or 5 V. This gives the range of the SPI for 3 V to 5 V. The V_{REG} block is able to handle both the 3 V and 5 V.

2.2 Operating modes

The device can operate in seven different modes:

- Reset mode
- Fail Safe mode
- Normal mode
- Standby mode
- Sleep mode 1
- Sleep mode 2
- Battery undervoltage mode

The Reset mode, the Fail Safe mode and the Sleep mode 1 are combined into the Limp home mode. In this mode the chip is able to operate without the connection to the SPI. All transitions between the states in limp home mode are driven by V_{DD} and INx. The outputs are controlled by the direct inputs INx.

For an overview over the operating modes and the triggering conditions please refer to [Table 10: Operating modes](#).

2.2.1 Startup transition phase

This is not an operation mode but a transition step to Reset operation mode from the power-ON. In this phase, neither digital supply voltage V_{DD} nor V_{CC} are available ($V_{DD} < V_{DD_POR_ON}$ and $V_{CC} < V_{USD}$).

This phase has not to be confused with Undervoltage mode where also the power supply is not available ($V_{CC} < V_{USD}$) after an operation mode. The device leaves this phase to Reset mode as soon as $V_{CC} > V_{USD}$. In case ($V_{CC} < V_{USD}$) but ($V_{DD} > V_{DD_POR_ON}$) then the device leaves this phase to Fail-Safe-Mode.

2.2.2 Reset mode

The device is in Limp Home state.

Reset mode is entered after Startup but also each time the digital supply voltage V_{DD} falls below $V_{DD_POR_OFF}$ ($V_{DD} < V_{DD_POR_OFF}$ and $V_{CC} > V_{USD}$).

The outputs are controlled by the direct inputs INx. At least one INx is in logic high.

The SPI is inactive (no read / write possible) and the diagnostics are not available. The registers have the Reset values.

The device leaves this mode only if $V_{DD} > V_{DD_POR_ON}$ or all INx go to low.

The reset bit inside the Global Status Byte is set to 0 (for more information refer to the Global Status Byte register description).

The diagnostics is not available, but the protections are fully functional. In case of overtemperature or power limitation, the outputs work in unlimited auto-restart.

The device enters Reset mode under three conditions:

- Automatically during startup
- If it is in any other mode and if V_{DD} falls below $V_{DD_POR_OFF}$
- If it is in Sleep mode 1 and if only one input INx is set to 1

Reset mode can be left with 2 conditions:

- If V_{DD} rises above $V_{DD_POR_ON}$, the device enters Fail Safe mode
- If all inputs INx are 0, the device enters Sleep mode 1.

2.2.3 Fail Safe mode

The device is in Limp Home state.

The digital supply voltage V_{DD} is available ($V_{DD} > V_{DD_POR_ON}$) and the SPI registers are active (SPI read/write).

The device enters Fail Safe mode under five conditions:

- If it is in Reset mode or in Sleep mode 1 and V_{DD} rises above $V_{DD_POR_ON}$, ($V_{DD} > V_{DD_POR_ON}$)
- If it is in standby mode or in Sleep mode 2 and CSN is low for $t > t_{stdby_out}$
- If it is in Normal mode and bit EN is cleared
- If it is in Normal mode and WDTB is not toggled within t_{WDTB} (watchdog timeout)
- If it is in Normal mode and the SPI sends a SW reset

In case of Fail Safe mode, there is no analogue diagnostics (Current sense is inactive, not available) but the digital diagnosis is available through SPI bus.

The outputs are controlled by the direct inputs INx regardless of SPI commands.

The registers are cleared to their reset value if Fail Safe is entered through a SW reset.

The reset bit is 1 if the last state was Reset mode or the last command was a SW reset and it is reset to 0 after the first valid SPI access (for more information refer [Section 4.3.1: Global Status byte description](#)).

The SPI diagnostics is available.

The protections are fully functional. In case of overtemperature or power limitation, the outputs work in unlimited auto-restart.

The device exits Fail Safe mode under three conditions:

- If the SPI sends the goto Normal mode sequence, the device enters Normal mode:
 - In a first communication set bit UNLOCK = 1
 - In the consecutive communication set bit STBY = 0 and bit EN = 1

This mechanism avoids entering the Normal mode unintentionally.

- If the SPI sends the goto standby mode sequence, the device enters standby mode:
 - In a first communication set bit UNLOCK = 1
 - In the consecutive communication set bit STBY = 1 and bit EN = 0

This mechanism avoids entering the standby mode unintentionally.

- If V_{DD} falls below $V_{DD_POR_OFF}$, the device enters Reset mode.

Transition to Fail-Safe-mode from Normal mode, using the SPI register

Only one frame is needed.

Table 2. Frame 1: write CTRL 0x00

Bit 7	Bit 6	Bit 5	Bit 4	Bit 3	Bit 2	Bit 1	Bit 0
Command							
OC1	OC0			Address			
0	0	0	0	0	0	0	0
Data							
$x^{(1)}$	$x^{(1)}$	GOSTBY	UNLOCK	$x^{(1)}$	x	x	EN ⁽¹⁾
$x^{(2)}$							

1. To avoid an SPI Error Frame due to a stuck at Zero, one bit of data field has to be at '1'. Bit "EN" has to be at '0' to force the device in Fail safe mode.
2. X: do not care.

Transition to Fail-Safe-mode from Normal mode by SW-Reset

SPI Reset is occurring by using the "Read device information" command (applicable only on ROM area) at reserved ROM address 0x3F. This is equivalent of sending a 0xFF command.

Only one frame is needed.

Table 3. Frame 1: read (ROM) 0x3FH 0x--

Bit 7	Bit 6	Bit 5	Bit 4	Bit 3	Bit 2	Bit 1	Bit 0
Command							
OC1	OC0	Address					
1	1	1	1	1	1	1	1
Data ⁽¹⁾							
x	x	x	x	x	x	x	x
$x^{(2)}$							

1. The "X" data field cannot be all ones, otherwise a stuck to VDD is detected.
2. X: do not care.

2.2.4 Normal mode

In this mode, all device functions are available. The transition to this mode is only possible from a previous Fail-Safe mode.

Outputs can be driven by SPI commands or a combination of SPI command and direct inputs INx.

To maintain the device in normal mode, the watchdog toggle bit in register CONFIG has to be toggled within the watchdog timeout period t_{WDTB} (see [Table 58: Dynamic characteristics - Mode 1](#) or [Table 59: Dynamic characteristics - Mode 2](#)).

Diagnosis is available through SPI bus (digital) and through current sense pin (analogue current sense).

The protections are fully functional. The outputs can be set to latch-off or programmable time limited auto-restart. In auto-restart the outputs are switched on again automatically after an overtemperature or power limitation event, while in latch the relevant status register has to be cleared to switch them on again. In time limited auto-restart the behavior is like auto-restart but within limited programmed time frame (refer to [Section 6.2: Blanking window values](#)).

The device enters Normal mode under one condition:

- If it is in Fail Safe mode and the go to Normal mode sequence is sent through SPI:
 - this mechanism avoids entering Normal mode unintentionally.
 - In a first communication set bit UNLOCK = 1
 - In the consecutive communication set bit STBY = 0 and bit EN = 1

The transition from Fail-Safe-mode to Normal mode is performed by two special SPI sequences

Table 4. Frame 1: write CTRL 0x10

Bit 7	Bit 6	Bit 5	Bit 4	Bit 3	Bit 2	Bit 1	Bit 0
Command							
OC1	OC0	Address					
0	0	0	0	0	0	0	0
Data							
x	x	GOSTBY	UNLOCK	x	x	x	EN
0	0	0	1	0	0	0	0

Table 5. Frame 2: write CTRL 0x01

Bit 7	Bit 6	Bit 5	Bit 4	Bit 3	Bit 2	Bit 1	Bit 0
Command							
OC1	OC0	Address					
0	0	0	0	0	0	0	0
Data							
x	x	GOSTBY	UNLOCK	x	x	x	EN
0	0	0	0	0	0	0	1

Normal mode can be left with five conditions:

- If V_{DD} falls below $V_{DD_POR_OFF}$, the device enters Reset mode.
- If the SPI sends the goto standby sequence, the device enters standby mode: this mechanism avoids entering standby mode unintentionally.
 - In a first communication set UNLOCK = 1
 - In the consecutive communication set STBY = 1 and EN = 0
- If the SPI clears the EN bit (EN = 0), the device enters Fail Safe mode.
- Watchdog time out: If WDTB is not toggled within the monitoring timeout period t_{WDTB} , the device enters Fail Safe mode.
- If the SPI sends a SW reset command (Command byte = 0xFFh), all registers are cleared and the device enters Fail Safe mode.

2.2.5 Standby mode

The device is in low consumption state of the digital part.

The device enters standby mode under three conditions:

- If it is in Fail Safe mode and the SPI sends the goto standby sequence: this mechanism avoids entering standby mode unintentionally.
 - In a first communication set UNLOCK = 1
 - In the consecutive communication set STBY = 1 and EN = 0
- If it is in Normal mode and the SPI sends the goto standby sequence: This mechanism avoids entering standby mode unintentionally.
 - In a first communication set UNLOCK = 1
 - In the consecutive communication set STBY = 1 and EN = 0
- If it is in Sleep mode 2 and at least one input INx is set to one.

The outputs are controlled by the direct inputs INx only.

The current consumption from V_{DD} drops down to I_{DDstd} (see [Table 54: DC characteristics - Mode 1](#)).

The digital supply voltage V_{DD} is available ($V_{DD} > V_{DD_POR_ON}$) but SPI is inactive (no read/write is possible, the SPI registers are frozen to their last state before entering standby mode).

The standby mode will stay under above condition if at least one INx in logic High. CSN is in inactive High state (independent of MCU).

The diagnostics is not available.

The protections are fully functional. The outputs are set to unlimited auto-restart mode. Standby mode can be left with three conditions:

- If V_{DD} falls below $V_{DD_POR_OFF}$, the device enters Reset mode.
- If CSN is low for $t > t_{stdby_out}$, the device wakes up. As the EN bit has been set to 0, the device enters Fail Safe mode and recovers full functionality with command of the outputs and diagnostics.
- If all direct inputs INx are 0, the device enters Sleep Mode 2 resulting in minimal supply current from V_{CC} and V_{DD} .

Transition from Fail-Safe-mode to standby mode using SPI: two frames needed.

Table 6. Frame 1: write CTRL 0x10

Bit 7	Bit 6	Bit 5	Bit 4	Bit 3	Bit 2	Bit 1	Bit 0
Command							
OC1	OC0	Address					
0	0	0	0	0	0	0	0
Data							
x	x	GOSTBY	UNLOCK	x	x	x	EN
0	0	0	1	0	0	0	0

Table 7. Frame 2: write CTRL 0x20

Bit 7	Bit 6	Bit 5	Bit 4	Bit 3	Bit 2	Bit 1	Bit 0
Command							
OC1	OC0	Address					
0	0	0	0	0	0	0	0
Data							
x	x	GOSTBY	UNLOCK	x	x	x	EN
0	0	1	0	0	0	0	0

Transition from Normal mode to standby mode using SPI: two frames needed

Table 8. Frame 2: write CTRL 0x11

Bit 7	Bit 6	Bit 5	Bit 4	Bit 3	Bit 2	Bit 1	Bit 0
Command							
OC1	OC0	Address					
0	0	0	0	0	0	0	0
Data							
x	x	GOSTBY	UNLOCK	x	x	x	EN
0	0	0	1	0	0	0	1

Table 9. Frame 2: write CTRL 0x20

Bit 7	Bit 6	Bit 5	Bit 4	Bit 3	Bit 2	Bit 1	Bit 0
Command							
OC1	OC0	Address					
0	0	0	0	0	0	0	0
Data							
x	x	GOSTBY	UNLOCK	x	x	x	EN
0	0	1	0	0	0	0	0

2.2.6 Sleep mode 1

The device is in Limp Home state.

The device has very low consumption for both digital and power parts. Current consumption from Digital part is nearly zero and the current consumption on V_{CC} is below I_{STBY} (low supply current).

The device enters Sleep mode 1 under one condition:

- If from Reset mode, all direct inputs INx are going low.

The digital supply voltage V_{DD} is not available ($V_{DD} < V_{DD_POR_OFF}$) and SPI is inactive (the read and write functions are not possible and all registers are cleared and have the reset values).

The diagnostics is not available (neither Analogue nor digital diagnostics). The output stages are all off.

Protections are inactive.

Sleep-mode-1 can be left with two conditions:

- If V_{DD} rises above $V_{DD_POR_ON}$, the device enters Fail Safe mode.
- If at least one of the inputs INx is set to 1, the device enters Reset mode.

2.2.7 Sleep mode 2

The device is in very low consumption state for both digital and power parts. Current consumption from Digital part is below I_{DDstd} and the current consumption on V_{CC} is below I_{SOFF} (low supply current).

The digital supply voltage V_{DD} is available ($V_{DD} > V_{DD_POR_ON}$) but SPI is not active (the read and write functions are not possible and all registers are frozen).

CSN is in inactive High state (independent of MCU).

The diagnostics is not available (neither analogue nor digital diagnostics). The output stages are all off.

Protections are inactive.

The device enters Sleep-mode-2 under one condition:

- If from standby mode, all direct inputs INx are going low.

Sleep mode 2 can be left with three conditions:

- If V_{DD} falls below $V_{DD_POR_ON}$, the device enters Reset mode.
- If CSN is low for $t > t_{stdby_out}$, the device enters Fail Safe mode.
- If at least one of the inputs INx is set to 1, the device enters standby mode.

2.2.8 Battery undervoltage mode

This is not an operation mode but a transition step, where power supply voltage is ($V_{CC} < V_{USD}$).

If the battery supply voltage V_{CC} falls below the undervoltage shutdown threshold ($V_{CC} < V_{USD}$) the device enters Battery undervoltage mode.

The current sense signal is not available.

The output stages are off regardless of SPI status or INx .

There are three cases and, depending on the operation mode, the following occurs:

1. From Normal mode and from Fail-safe mode:

In these modes the digital supply voltage V_{DD} is available ($V_{DD} > V_{DD_POR_ON}$). The SPI is active and read/write functions are possible. The SPI diagnostics is available. After entering to the Undervoltage mode, the information about the undervoltage is saved in a flag (V_{CCUV}), the SPI

register contents are retained. The SPI-register reading is always possible. If V_{CC} rises above the threshold ($V_{USD} + V_{USDhyst}$) the device returns to the last mode and the flag is cleared (V_{CCUV}). If during this state V_{DD} decreases to $V_{DD} < V_{DD_POR_OFF}$, the device is reset completely. The last operation mode information is lost, the device logic part is unpowered, therefore after increasing the supply voltage to ($V_{CC} > V_{USD} + V_{USDhyst}$) the operation mode will be Reset mode. If during this state, the INx is changed, the operation mode is not changed and the output state is changed accordingly after V_{CC} recovering.

2. From standby and Sleep-mode-2 modes:
 In these modes the digital supply voltage V_{DD} is available ($V_{DD} > V_{DD_POR_ON}$). The SPI is not active and the registers are frozen. The SPI diagnostics is not available. After entering to the Undervoltage mode, the information about the undervoltage is not saved in a flag (V_{CCUV}). If V_{CC} rises above the threshold ($V_{USD} + V_{USDhyst}$) the device returns to the last mode. If during this state (undervoltage mode) V_{DD} decreases to $V_{DD} < V_{DD_POR_OFF}$, the device is reset completely. The last operation mode information is lost, the device logic part is unpowered, therefore after increasing the supply voltage to ($V_{CC} > V_{USD} + V_{USDhyst}$) the operation mode will be Reset-mode. If during this state (under voltage mode) the INx is changed, the operation mode is also changed. After V_{CC} recovering, this new operation mode is taken into account.
3. From Reset mode or Sleep-mode1:
 In this modes the digital supply voltage V_{DD} is not available ($V_{DD} < V_{DD_POR_OFF}$) and SPI is not active. It is not possible to read/write via SPI, all SPI registers have the reset values. After entering to the Undervoltage mode, the information about the undervoltage is not saved in a flag (V_{CCUV}). If V_{CC} rises above the threshold $V_{USD} + V_{USDhyst}$, the device returns to the last mode. If during this state V_{DD} increases to $V_{DD} > V_{DD_POR_ON}$, the device is completely reset. After V_{CC} recovering ($V_{CC} > V_{USD} + V_{USDhyst}$), there will be a startup transition.

The undervoltage flag (V_{CCUV}) is not saved in the following operation modes: Reset mode, Sleep mode 1, Sleep mode 2 and standby mode.

Figure 3. Battery undervoltage shutdown diagram

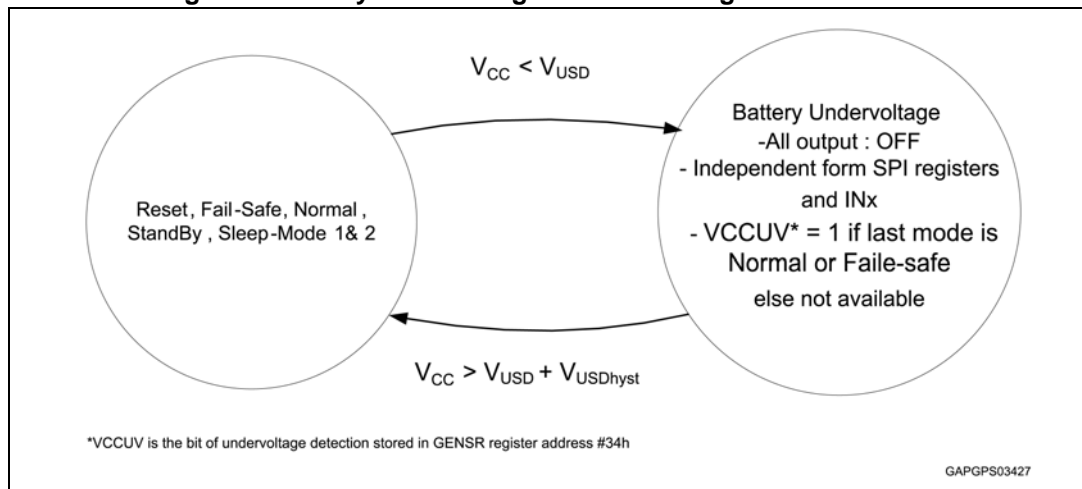
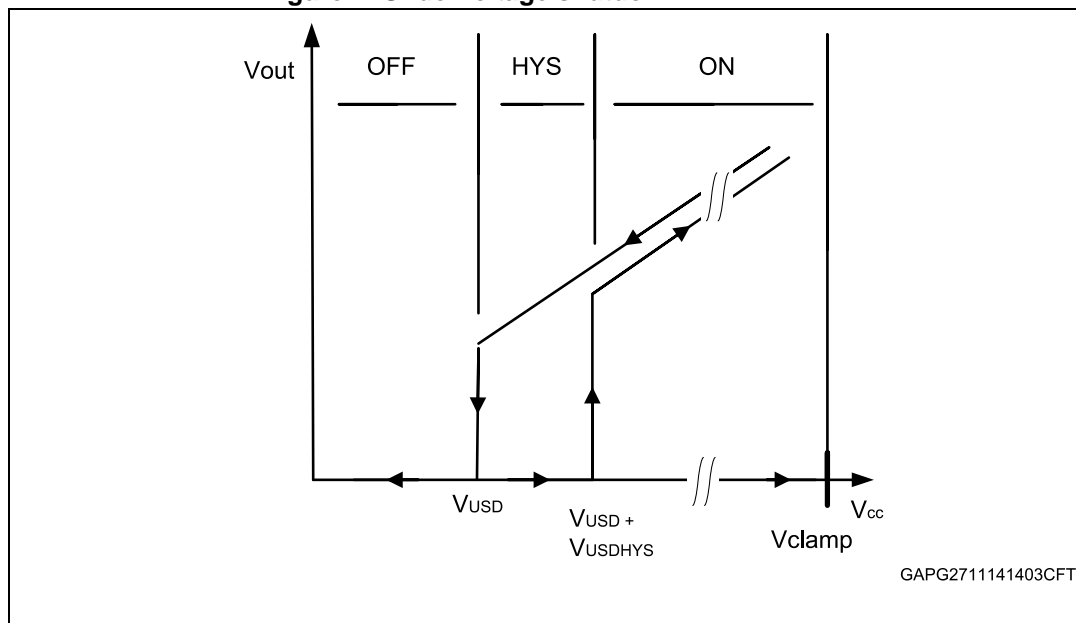


Figure 4. Undervoltage shutdown



2.2.9 Limp Home mode

The Reset mode, the Fail Safe mode and the Sleep mode 1 are combined into the Limp home mode. In this mode the chip is able to operate without the connection to the SPI. All transitions between the states in limp home mode are driven by V_{DD} and INx . The outputs are controlled by the direct inputs INx .

For a direct entry to the Limp Home mode during Normal operating mode, MCU uses the Watchdog Toggle Bit (WDTB) or dedicated SPI command. Changing the polarity of the WDTB within Watchdog Timeout (t_{WDTB}) keeps the device in Normal mode.

For an overview of the operating modes and the triggering conditions please refer to the [Table 10](#).

Table 10. Operating modes

Operating mode	Entering conditions	Leaving conditions	Characteristics
Startup transition (this is not an operating mode)		<ul style="list-style-type: none"> - $V_{CC} > V_{USD}$: reset - $(V_{DD} < V_{DD_POR_ON})$ and $(V_{CC} < V_{USD})$: Fail Safe 	<ul style="list-style-type: none"> - Outputs: OFF - SPI: inactive - Registers: reset values - Diagnostics: not available - Reset bit = X
Reset (Limp Home mode)	<ul style="list-style-type: none"> - Startup mode: $V_{CC} > V_{USD}$ - Sleep 1: - INx Low to High - Any other mode: $V_{DD} < V_{DD_POR_OFF}$ 	<ul style="list-style-type: none"> - All INx low: sleep 1 - $V_{DD} < V_{DD_POR_ON}$: Fail Safe 	<ul style="list-style-type: none"> - Outputs: according to INx - SPI: inactive - Registers: reset values - Diagnostics: not available - Reset bit = X

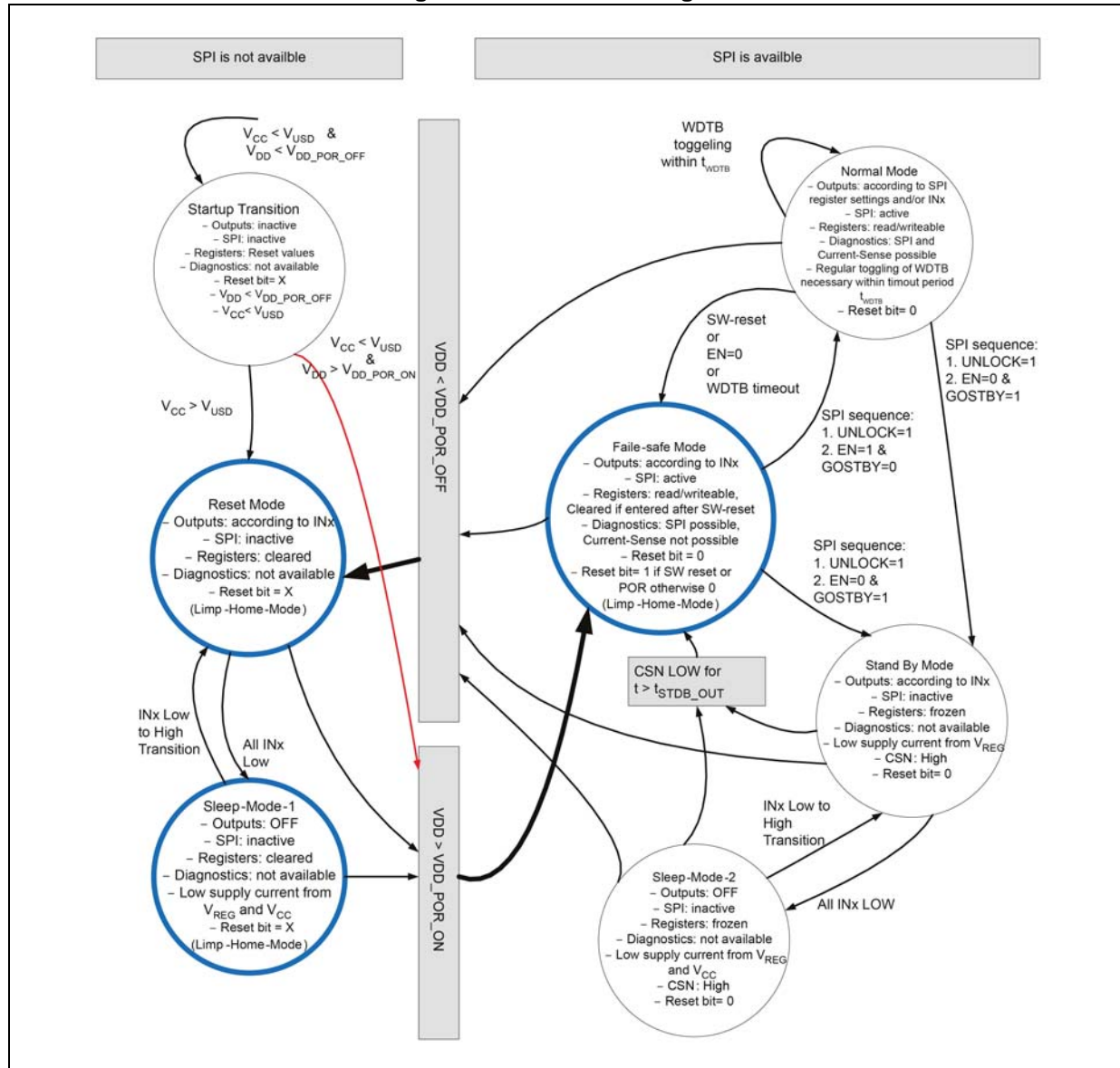
Table 10. Operating modes (continued)

Operating mode	Entering conditions	Leaving conditions	Characteristics
Sleep 1 (Limp Home mode)	Reset: all INx = 0	<ul style="list-style-type: none"> – $V_{DD} < V_{DD_POR_ON}$: Fail Safe – INx low to high: reset 	<ul style="list-style-type: none"> – Outputs: OFF – SPI: inactive – Registers: reset values – Diagnostics: not available – Low supply current from V_{DD} and V_{CC} – Reset bit = X
Fail Safe (Limp Home mode)	<ul style="list-style-type: none"> – Reset or sleep 1: $V_{DD} > V_{DD_POR_ON}$ – Standby or sleep 2: – CSN low for $t > t_{stdby_out}$ – Normal: – EN = 0 or WDTB toggling timeout or SW-reset 	<ul style="list-style-type: none"> – $V_{DD} < V_{DD_POR_OFF}$: reset – SPI sequence – 1. UNLOCK = 1 – 2. STBY = 0 and EN = 1: normal – SPI sequence – 1. UNLOCK = 1 – 2. STBY = 1 and EN = 0: Standby 	<ul style="list-style-type: none"> – Outputs: according to INx – SPI: active – Registers: read/write possible, cleared if entered after SW reset – Diagnostics: SPI possible, current sense diagnostic is not possible – Reset bit = 1 if entered after SW reset or POR, else Reset bit = 0
Normal	<ul style="list-style-type: none"> – Fail Safe: SPI sequence – 1. UNLOCK = 1 – 2. STBY = 0 and EN = 1 	<ul style="list-style-type: none"> – $V_{DD} < V_{DD_POR_OFF}$: reset – SPI sequence – 1. UNLOCK = 1 – 2. STBY = 1 and EN = 0: Standby – EN = 0 or WDTB time out or SW reset: Fail- Safe 	<ul style="list-style-type: none"> – Outputs: according to SPI register settings and/or INx – SPI: active – Registers: read/write is possible – Diagnostics: SPI and current sense diagnostic possible – Regular toggling of WDTB is necessary within timeout period t_{WDTB} – Reset bit = 0
Standby	<ul style="list-style-type: none"> – Normal: SPI sequence – 1. UNLOCK = 1 – 2. STBY = 1 and EN = 0 – Fail Safe: – SPI sequence – 1. UNLOCK = 1 – 2. STBY = 1 and EN = 0 – Sleep 2: – INx low to high 	<ul style="list-style-type: none"> – $V_{DD} < V_{DD_POR_OFF}$: Reset – CSN low for $t > t_{stdby_out}$: Fail-Safe – All INx low: sleep 2 	<ul style="list-style-type: none"> – Outputs: OFF – SPI: inactive – Registers: frozen – Diagnostics: not available – Low supply current from V_{DD} and V_{CC} – CSN: High – Reset bit = 0

Table 10. Operating modes (continued)

Operating mode	Entering conditions	Leaving conditions	Characteristics
Sleep 2	Standby: all INx = 0	<ul style="list-style-type: none"> – $V_{DD} > V_{DD_POR_OFF}$: reset – CSN low for $t > t_{stdby_out}$: Fail-Safe – INx low to high: standby 	<ul style="list-style-type: none"> – Outputs: OFF – SPI: inactive – Registers: frozen – Diagnostics: not available – Low supply current from V_{DD} and V_{CC} – CSN: High – Reset bit = 0
Battery undervoltage (this is not an operating mode)	Any mode: $V_{CC} < V_{USD}$	$V_{CC} > V_{USD} + V_{USDhyst}$: back to last mode	<ul style="list-style-type: none"> – Outputs: OFF and independent from INx and SPI – SPI: as the last mode – Reset bit = 0

Figure 5. Device state diagram



3 Protections

3.1 Pre-warning

If the case-temperature rises above the case-thermal detection pre-warning threshold T_{CSD} , the bit T_{CASE} in the Global Status Byte is set. T_{CASE} is cleared automatically when the case- temperature drops below the case-temperature reset threshold T_{CR} .

3.2 Junction overtemperature (OT)

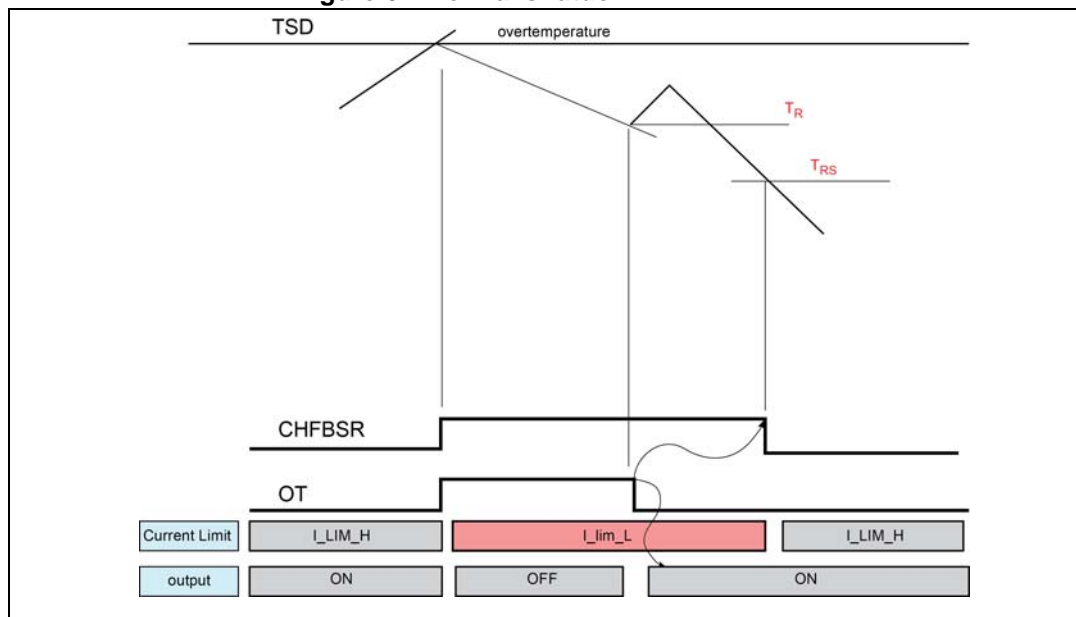
If the junction temperature of one channel rises above the shutdown temperature T_{TSD} , an overtemperature event (OT) is detected.

The channel is switched OFF and the corresponding bit in the Address 0x30h - Channel Feedback Status Register (CHFBSR) is set. Consequently, the thermal shutdown bit (bit 4) in the Global Status Byte and the Global Error Flag are set.

In Limp Home Mode each output channel works in unlimited auto-restart, whereas in Normal Mode it can be either set as latch-off or programmable time limited auto-restart operations in case of junction overtemperature event.

- In Auto-restart operation, the output is switched off as described and switches on again automatically when the junction temperature falls below the reset temperature T_R . The status bit is latched during OFF-state of the channel in order to allow asynchronous diagnostic and it is automatically cleared when the junction temperature falls below the thermal reset temperature of OT detection T_{RS} .
- In Latched OFF operation, the output remains switched OFF until the junction temperature falls below T_R and a write command to the addressed latched OFF channel is sent (CHLOFFTCRx). The action will clear the corresponding flag in CHLOFFSR and bit 2 in the Global Status Byte. Bit 2 only remains stuck at logic high if another fault condition is present at the same time.
- In time limited auto-restart, during the programmed time, it reacts as in auto-restart operation mode. After the programmed time expiration, the output remains switched OFF and acts as above described in latch-off mode.

Figure 6. Thermal shutdown



3.3 Power limitation (PL)

If the difference between junction temperature and case temperature ($\Delta T = T_j - T_c$) rises above the power limitation threshold ΔT_{PLIM} , a power limitation event is detected. The channel is switched OFF and the corresponding bit in the Address 0x30h - Channel Feedback Status Register (CHFBSR) is set. Consequently, the Power limitation bits (bit 4) in the Global Status Byte and the Global Error Flag are set.

In Limp Home Mode each output channel works in unlimited auto-restart, whereas in Normal Mode it can be either set as latch-off or programmable time limited auto-restart operations in case of power limitation event.

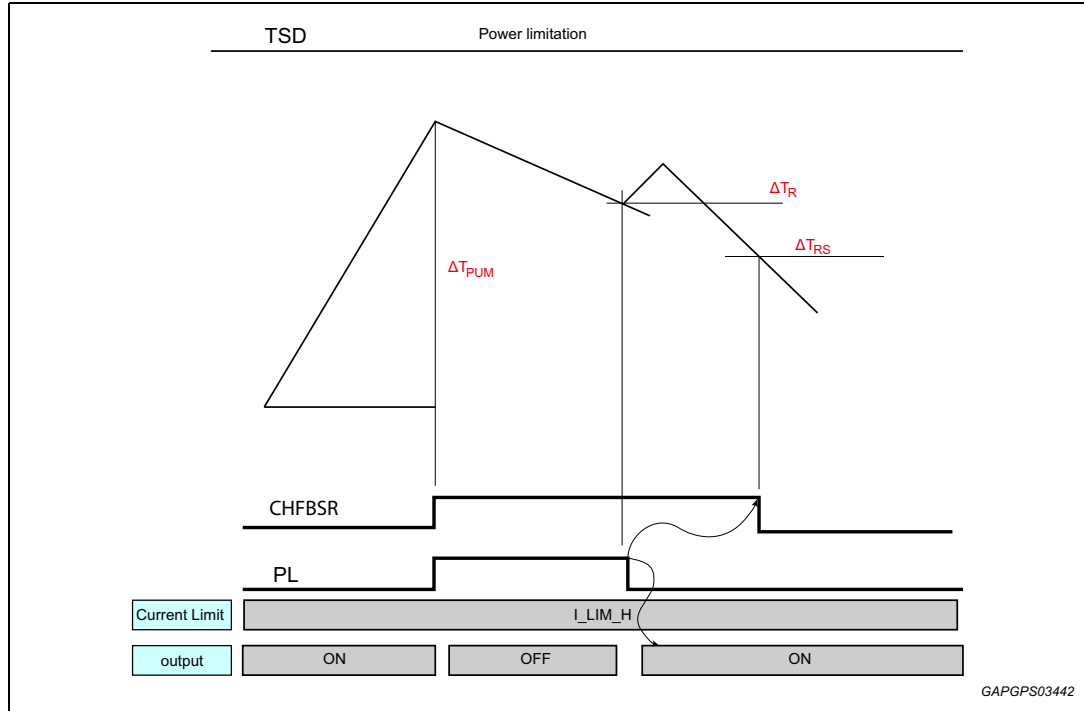
- In Auto-restart operation, the output is switched off as described and switches on again automatically when the difference of junction temperature and case temperature ($\Delta T = T_j - T_c$) decreases below ΔT_{PLIMR} .

In OFF-state of the channel, the status bit is latched in order to allow asynchronous diagnostic and is cleared during a Read and Clear command.

The payload bits set to 1 into the data byte determine the bits into the register which have to be cleared.

- In Latched OFF operation, the output remains switched OFF until the difference of junction temperature and case temperature ($\Delta T = T_j - T_c$) decreases below ΔT_{PLIMR} and a write command to the addressed latched OFF channel is sent (CHLOFFTCRx). The action will clear the corresponding flag in CHLOFFSR and bit 2 in the Global Status Byte. Bit 2 only remains stuck at logic high if another latch-off condition is present at the same time.
- In time limited auto-restart, during the programmed time, the device reacts as in auto-restart operation mode. After the programmed time expiration, the output remains switched OFF and acts as above described in latch-off mode.

Figure 7. Power limitation



4 SPI functional description

4.1 SPI communication

The SPI communication is based on a standard ST-SPI 16-bit interface, using CSN, SDI, SDO and SCK signal lines.

Input data are shifted into SDI, MSB first while output data are shifted out on SDO, MSB first.

4.1.1 Signal description

During all operations, V_{DD} must be held stable and within the specified valid range: $V_{DD\ min}$ to $V_{DD\ max}$.

Table 11. SPI signal description

Name	Function
Serial clock SCK	This input signal provides the timing of the serial interface. Data present at Serial Data Input (SDI) are latched on the rising edge of Serial Clock (SCK). Data on Serial Data Output (SDO) change after the falling edge of Serial Clock (SCK).
Serial data input SDI	This input signal is used to transfer data serially into the device. It receives data to be written. Values are sampled on the rising edge of Serial Clock (SCK).
Serial data output SDO	This output signal is used to transfer data serially out of the device. Data are shifted out on the falling edge of Serial Clock (SCK).
Chip select CSN	<p>When this input signal is high, the device is deselected and Serial Data Output (SDO) is high impedance. Driving this input low enables the communication. The communication must start on a Low level of Serial Clock (SCK). Data are accepted only if exactly 16 bits (or 8 bits Short Frame option) have been shifted in.</p> <p>Note: as per the ST_SPI standard, in case of failing communication:</p> <ul style="list-style-type: none"> – Stuck @HIGH: <ul style="list-style-type: none"> If the device is in Normal Mode, a WDTB Timeout will force the device into Fail-safe mode. The Serial Data-Out (SDO) will stay in High impedance (High Z). Any valid communication arrived after this event will be accepted by the device. – Stuck @LOW: <ul style="list-style-type: none"> in this case and whatever the mode of the device, a CSN Timeout protection will be activated and force the device to release the SPI bus. Then the Serial Data-Out (SDO) will go into High impedance (High Z). <p>A reset of the CSN Timeout (described as t_{WHCH} parameter in Table 58: Dynamic characteristics - Mode 1) is activated with a transition Low to High on CSN pin (or with a Power On Reset or Software reset). With this reset, the Serial Data-Out (SDO) will be released and any valid communication will be accepted by the device. Without this reset, next communication will not be taken into account by the device.</p>

4.1.2 Connecting to the SPI bus

A schematic view of the architecture between the bus and devices can be seen in [Figure 9: Bus master and two devices in a normal configuration](#).

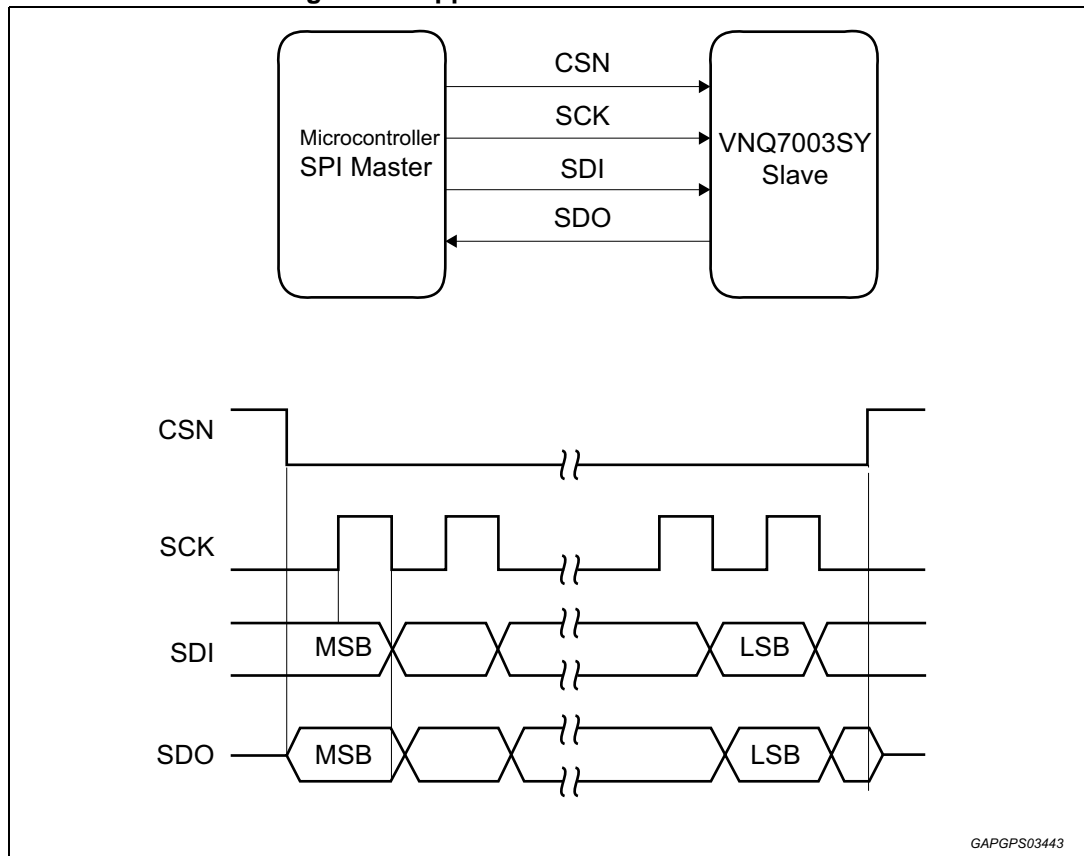
All input data bytes are shifted into the device, MSB first. The Serial Data Input (SDI) is sampled on the first rising edge of the Serial Clock (SCK) after Chip Select (CSN) goes low.

All output data bytes are shifted out of the device on the falling edge of SCK, MSB first on the first falling edge of the Chip Select (CSN).

4.1.3 SPI mode

Supported SPI mode during a communication phase can be seen in the following figure:

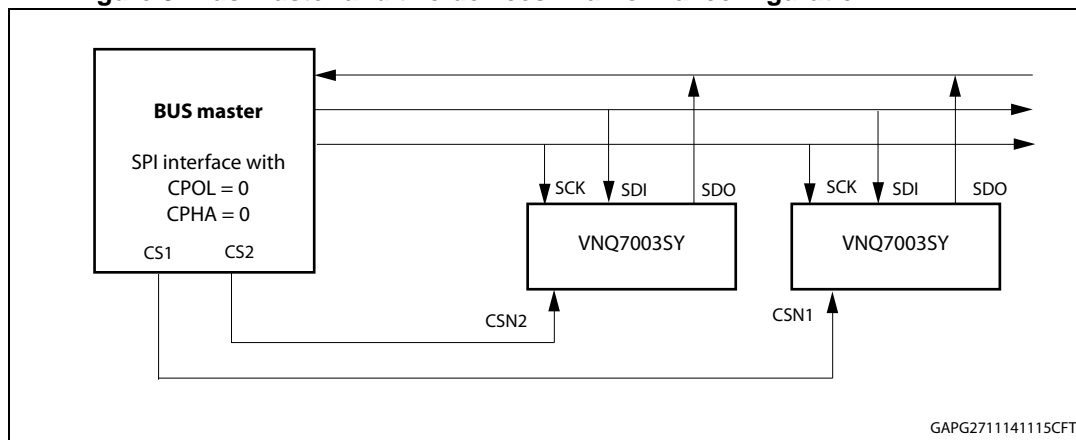
Figure 8. Supported SPI mode



This device can be driven by a micro controller with its SPI peripheral running in the following mode:

- CPOL = 0, CPHA = 0

Figure 9. Bus master and two devices in a normal configuration



4.2 SPI protocol

4.2.1 SDI format

SDI, Frame 16-bit

SDI format during each communication frame starts with a command byte. It begins with two bits of operating code (OC0, OC1) which specify the type of operation (read, write, read and clear status, read device information) and it is followed by a 6 bit address (A0:A5). The command byte is followed by an input data byte (D0:D7).

Table 12. Command byte

MSB								LSB
OC1	OC0	A5	A4	A3	A2	A1	A0	

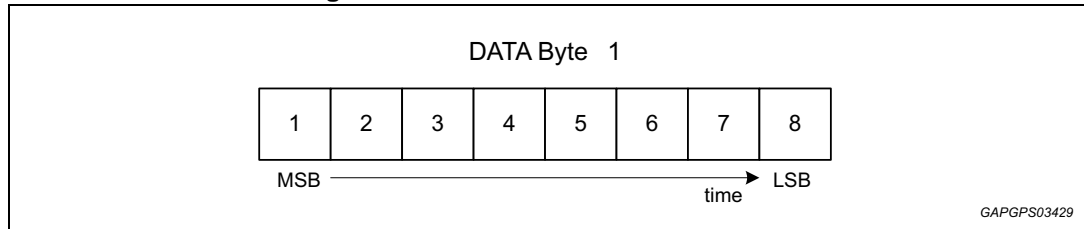
Table 13. Input data byte

MSB							LSB
D7	D6	D5	D4	D3	D2	D1	D0

SDI, Frame 8 bit

SPI Data-In Frame length 8 bits is defined for the device requiring fast write access to single 8 bit register, called SOCR address 0x07h. SDI Frame consists of Input Data Byte content only, no Operation Code + Address is transmitted.

Figure 10. SDI Frame 8 bits



4.2.2 SDO format

SDO, Frame 16-bit

SDO format during each communication frame starts with a specific byte called Global Status Byte (see [Section 4.3.1: Global Status byte description](#) for more details of bit0- bit7). This byte is followed by an output data byte (D0:D7).

Table 14. Global status byte

MSB							LSB	
bit7	bit6	bit5	bit4	bit3	bit2	bit1	bit0	

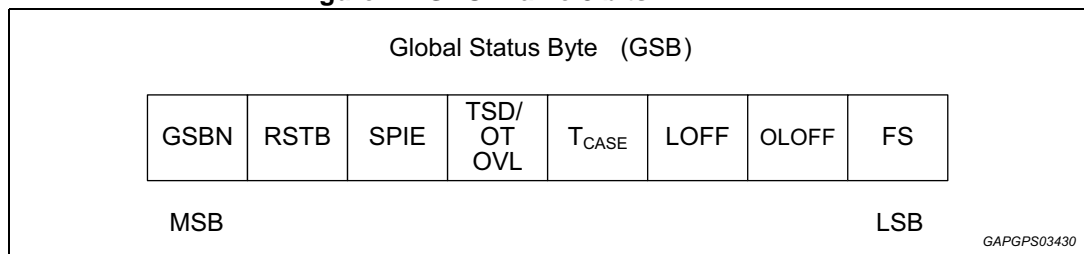
Table 15. Output data byte

MSB							LSB	
D7	D6	D5	D4	D3	D2	D1	D0	

SDO, Frame 8-bit

SDO Frame of 8 bits consists of GSB content only.

Figure 11. SDO Frame 8 bits



4.2.3 Operating code definition

The SPI interface features four different addressing modes which are listed in [Table 16: Operating codes](#).

Table 16. Operating codes

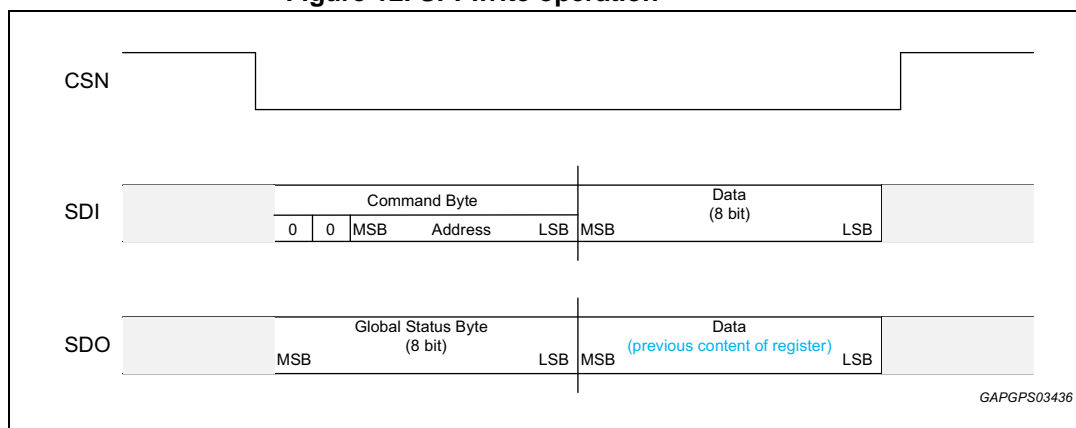
OC1	OC0	Meaning
0	0	Write operation
0	1	Read operation
1	0	Read and clear status operation
1	1	Read device information

Write mode

The write mode of the device allows to write the content of the input data byte into the addressed register (see list of registers in [Table 20: RAM memory map](#)). Incoming data are sampled on the rising edge of the serial clock (SCK), MSB first.

During the same sequence outgoing data are shifted out MSB first on the falling edge of the CSN pin and subsequent bits on the falling edge of the serial clock (SCK). The first byte corresponds to the Global Status Byte and the second to the previous content of the addressed register.

Figure 12. SPI write operation



Read mode

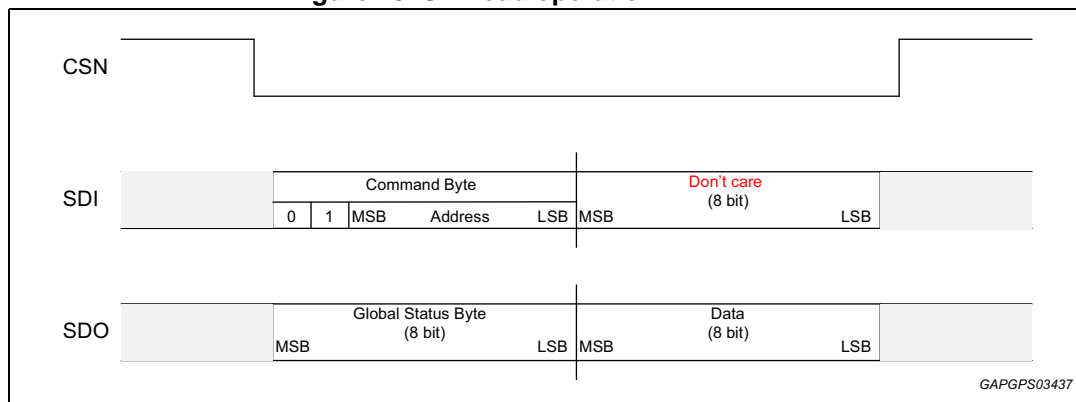
The read mode of the device allows to read and to check the state of any register. Incoming data are sampled on the rising edge of the serial clock (SCK), MSB first.

Outgoing data are shifted out MSB first on the falling edge of the CSN pin and others on the falling edge of the serial clock (SCK). The first byte corresponds to the Global Status Byte and the second to the content of the addressed register.

In case of a read mode on an unused address, the global status/error byte on the SDO pin is followed by 0x00h byte.

In order to avoid inconsistency between the Global Status byte and the Status register, the Status register contents are frozen during SPI communication.

Figure 13. SPI read operation



Read and clear status command

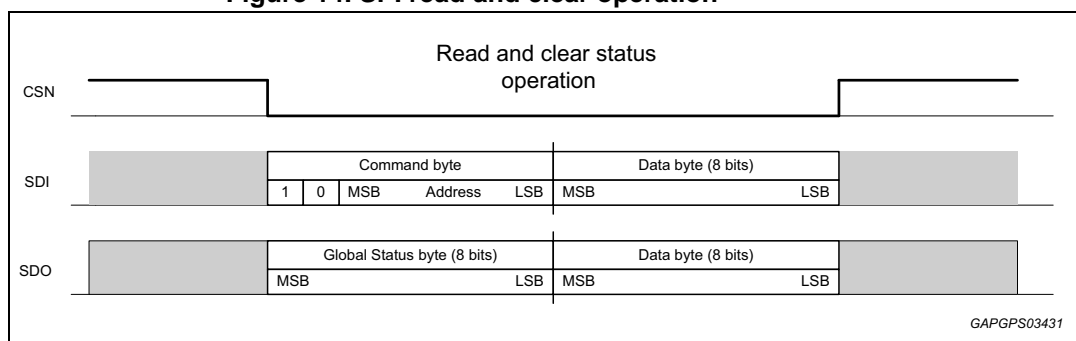
The read and clear status operation is used to clear the content of the addressed status register (see [Table 20: RAM memory map](#)). A read and clear status operation with address 0x3Fh clears all Status registers simultaneously.

Incoming data are sampled on the rising edge of the serial clock (SCK), MSB first. The command byte allows to determine which register content is read and the payload bits set to 1 into the data byte determine the bits into the register which have to be cleared.

Outgoing data are shifted out MSB first on the falling edge of the CSN pin and others on the falling edge of the serial clock (SCK). The first byte corresponds to the Global Status byte and the second to the content of the addressed register.

In order to avoid inconsistency between the Global Status byte and the Status register, the Status register contents are frozen during SPI communication.

Figure 14. SPI read and clear operation



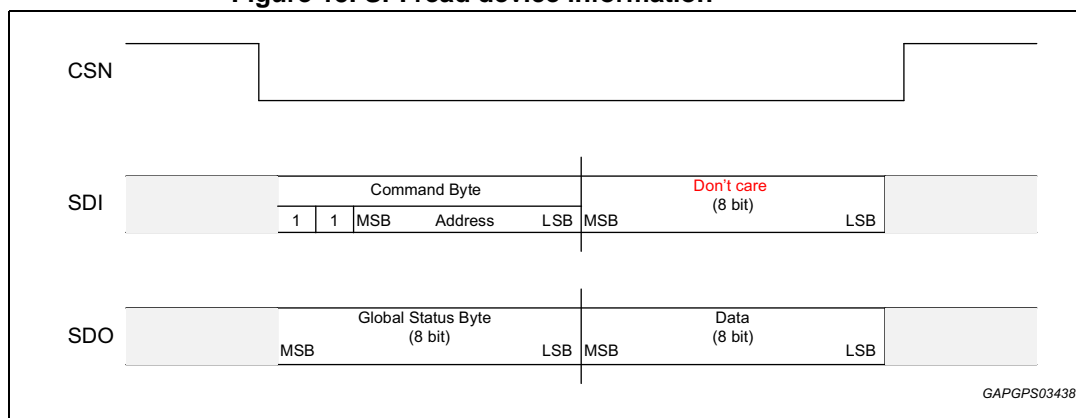
Read device information

Specific information can be read but not modified during this mode. Accessible data can be seen in [Table 21: ROM memory map](#).

Incoming data are sampled on the rising edge of the serial clock (SCK), MSB first. The command byte allows to determine which information is read while the data byte is "don't care".

Outgoing data are shifted out MSB first on the falling edge of the CSN pin and others on the falling edge of the serial clock (SCK). The first byte corresponds to the Global Status byte and the second to the content of the addressed register.

Figure 15. SPI read device information



4.2.4 Special commands

0xFF — SW-Reset: set all control registers to default

An Opcode '11' (read device information) addressed at '111111' forces a Software Reset of the device.

An OpCode '11' at address '111111' with data field equal to '11111111' the SPI frame is recognized as a frame error and SPIE bit of GSB is set.

Table 17. 0xFF: SW_Reset

Bit 7	Bit 6	Bit 5	Bit 4	Bit 3	Bit 2	Bit 1	Bit 0
Command							
OC1	OC0	Address					
1	1	1	1	1	1	1	1

0xBF — clear all status registers (RAM access)

When an OpCode '10' (read and clear operation) at address b'111111 is performed.

Table 18. Clear all status registers (RAM access)

Bit 7	Bit 6	Bit 5	Bit 4	Bit 3	Bit 2	Bit 1	Bit 0
Command							
OC1	OC0	Address					
1	0	1	1	1	1	1	1

Note: Reset Value = the value of the register after a power on.

Note: Default value = the default value of the register. Currently this is equivalent to the Reset value.

Note: Cleared register = explicitly read and clear of the register, if it is not write protected.

4.3 Register map

Device contains a set of RAM registers used for device configuration, the device status and ROM registers for device identification. Since ST-SPI is used, Global Status byte defines the device status, containing fault information.

4.3.1 Global Status byte description

The data shifted out on SDO during each communication starts with a specific byte called Global Status Byte. This one is used to inform the microcontroller about global faults which can happen at channel-side level (i.e. like thermal shutdown, OLOFF...) or on the SPI interface (like Watchdog monitoring timeout event, communication error,...). This specific register has the following format.

Table 19. Global status byte

Bit	Name	Reset	Content
7	Global Status Bit Not	0	The GSNB is a logically NOR combination of Bit 0 to Bit 6. This bit can also be used as Global Status Flag without starting a complete communication frame as it is present directly after pulling CSN low.
6	Reset bit	1	The RSTB indicates a device reset. In case this bit is set, all internal Control Registers are set to default and kept in that state until the bit is cleared. The Reset bit is automatically cleared by any valid SPI communication
5	SPI Error	0	The SPIE is a logical OR combination of errors related to a wrong SPI communication (SCK count and SDI stuck at errors). The SPIE is automatically cleared by a valid SPI communication.
4	Thermal shutdown (OT) or Power limitation (PL) or VDS	0	This bit is set in case of thermal shutdown, power limitation or in case of high VDS (VDS) at turn-off detected on any channel. The contribution of high VDS failure is maskable.
3	T _{CASE}	0	This bit is set if the frame temperature is greater than the threshold and can be used as a temperature pre-warning. The bit is cleared automatically when the frame temperature drops below the case-temperature reset threshold (TCR).
2	Latch OFF (LOFF)	0	The Device Error bit is set when one or more channels are latched OFF

Table 19. Global status byte (continued)

Bit	Name	Reset	Content
1	Open-load at off-state or output shorted to V _{CC}	0	This bit is set in case of open-load off-state or output shorted to V _{CC} condition detected on any channel
0	FailSafe	1	The bit is set in case device operates in Fail Safe Mode

Note: The FFh or 00h combinations for the Global Status Byte are not possible, exclusive combination exists between bit 7 and bit 0 - bit 6. Consequently a FFh or 00h combination for the Global Status Byte must be detected by the microcontroller as a failure (SDO stuck to GND or to V_{DD} or loss of SCK).

4.3.2 RAM

RAM registers can be separated according to the frequency of usage

- init - register is read/ written during initialization phase (single shot action)
- continuous - read/ write/ read and clear registers often accessed, applying outputs control and diagnostic
- rare - read/ read and clear status of device registers accessed on demand (in case of failure)

Table 20. RAM memory map

Address	Name	Access	Content	Access type	Reset value
Control registers					
00h	CTRL	Read/Write	Device enable, standby, protected	init	0x00
01h	DIENCR	Read/Write	Direct Input Enable Control	init	0x00
02h	OLOFFC R	Read/Write	Open-load OFF-state Control	init	0x00
03h	CCR	Read/Write	Channel Control	init	0x00
04h	FASTSW CR	Read/Write	Fast Switching Control Register	init	0x00
05h	RESERVED				
06h	CSMUXC R	Read/Write	Current sense Multiplexer Control	continuous	0x00
07h	SOCR	Read/Write	SPI Output Control	continuous	0x00
08h	CHLOFF TCR0,1	Read/Write	Channel Latch OFF Timer Control	init	0x00
09h	CHLOFF TCR2,3	Read/Write	Channel Latch OFF Timer Control	init	0x00
...	area not used				
Status registers					

Table 20. RAM memory map (continued)

Address	Name	Access	Content	Access type	Reset value
2Fh	DIENSR	Read only	Direct Input Status	rare	0x00
30h	CHFBSR	Read/Clear	Channel Feedback Status Register	continuous	0x00
31h	STKFLTR	Read/Clear	Open-load OFF-state/Stuck to V _{CC}	rare	0x00
32h	CHLOFF SR	Read only	Channels latch-off status register	rare	0x00
33h	VDSFSR	Read/Clear	VDS feedback	rare	0x00
34h	GENSR	Read/Clear	Generic Status	rare	0x00
...			not used area		
other registers					
3Eh	RESERVED				
3Fh	CONFIG	Read/Write	Configuration Register,	continuous	0x00

Note: Any command (write, read or read and clear status) executed on a “not used”. RAM register, i.e. a not assigned address, does not have any effect: there is no change in the Global Status byte (no communication error, no error flag). The data written to this address (2nd byte of SDI frame) is ignored. The data read from this address (2nd byte of SDO frame) contains 00, independent of what has been written previously to this address.

Note: A write command on “don’t care” bits of an assigned RAM register address does not have any effect: There is no change on the Global Status byte. The data written to the “don’t care bits” is ignored. The content of the “don’t care bits” remains at “0” independent of the data written to these bits.

4.3.3 ROM

This memory is used for device identification.

Table 21. ROM memory map

Address	Name	Description	Access	Content
00h	Company code	Indicates the code of STM company	Read only	00H
01h	Device Family	indicates the product family	Read only	01H
02h	Product Code 1	Indicates the first code of the product	Read only	56H
03h	Product Code 2	Indicates the second code of the product	Read only	48H
04h	Product Code 3	Indicates the third code of the product	Read only	31H
...		not used area		

Table 21. ROM memory map (continued)

Address	Name	Description	Access	Content
0Ah	Version	Silicon version	Read only	03H
...	not used area			
10h	SPI Mode	Different Modes of the SPI (see chapter 'SPI Modes')	Read only	18H
11h	WD Type 1	Indicates the type of WatchDog used in the	Read only	46H
12h		not used area		
13h	WD bit position 1	Indicates the address of the register containing the	Read only	7FH
14h	WD bit position 2	Indicates the position of the WD toggle bit	Read only	C0H
...	not used area			
20h	SPI CPHA	Indicates the polarity and phase of the SPI interface	Read Only	55H
3Eh	GSB Options	Options of GSB byte (standard GSB definition)	Read Only	00H
3Fh	Advanced OP. Code	—	—	—

4.3.4 SPI modes

By reading out the <SPI Mode> register general information of SPI usage of the Device Application Registers can be read.

Table 22. SPI Mode

Bit 7	Bit 6	Bit 5	Bit 4	Bit 3	Bit 2	Bit 1	Bit 0
BR	DL2	DL1	DL0	SPI8	0	S1	S0

SPI Burst Read

Table 23. SPI Burst Read

Bit 7	Description
0	BR disabled
1	BR enabled

The Burst Read is not implemented in this product so this bit is disabled.

SPI Data Length

The SPI Data Length value indicates the length of the SCK count monitor which is running for all the accesses to the Device Application Registers. In case a communication frame with an SCK count is not equal to the reported one, the device will lead to a SPI Error and the data will be rejected.

The Frame Length is specified on 3 bits in SPI Mode register located in ROM part. The 16bit SPI communication is implemented in this product so these bits are '001'.

Table 24. SPI Data Length

Bit 6	Bit 5	Bit 4	Description
DL2	DL1	DL0	
0	0	0	Invalid
0	0	1	16bit SPI
0	1	0	24bit SPI
...			...
1	1	1	64bit SPI

SPI 8 bit Frame

The SPI 8 bit Frame bit indicates if an 8 bit Frame communication is available.

The intention of an 8 bit Frame enhancement is to provide fast write access to one 8 bit register, which is very often rewritten with new content.

SOCR register address is predefined as addressed register during 8 bit SPI Communications.

Table 25. SPI 8 bit Frame

Bit 3	Description
SPI8	
0	8 bit Frame option not available
1	8 bit Frame option is available

The SPI 8 bit Frame is implemented in this product so this bit is equal to '1'.

A short Frame with a Data Field equal to '00000000' is rejected and considered as a SPI Frame Error condition.

Data Consistency Check (Parity/CRC)

For some devices a Data Consistency Check is required. Therefore either a parity-check or for very sensitive systems a CRC may be implemented.

It is defined on 2 bits, in SPI Mode register located in ROM Part. A check is then applied on the incoming frame (SDI) while a calculation elaborated on one/multiple bits is done and integrated on the outgoing frame (SDO).

Table 26. SPI Data Consistency Check

Bit 1	Bit 0	Description
S1	S0	
0	0	not used
0	1	Parity used

Table 26. SPI Data Consistency Check

Bit 1	Bit 0	Description
S1	S0	
1	0	CRC used
1	1	Invalid

In case either the Parity or the CRC check is implemented it is always located at the end of the communication.

As these two checks are not implemented in the product, the two bits are equal to '00'.

4.4 Output switching slopes control

Outputs switching slopes are set by configuration register FASTSWCR.

Address 0x04h - Fast Switching Configuration Register (FASTSWCR).

The FASTSWCR allows configuring each channel in fast switching mode.

The typical switching slopes are shown in the following table:

Table 27. Switching slopes

FASTSWCR	Channel 0,1 (V/μs)	Channel 2, 3 (V/μs)
0	0.30	0.20
1	0.45	0.30

4.5 Output control

Depending on the actual device mode, outputs can be controlled by SPI register or Direct Input INx.

- SPI register SOCR** - in normal mode outputs can be turned ON/OFF, applying Bit[n] = 1/0 [n]: is the related channel, n = 0 for the channel 0, and n = 3 for channel 4

Example 1:

Turning ON channel 1 and 2 with turning OFF others (without taking in consideration the PWM or phase shifting)

Table 28. Write SOCR 0x06

Bit7	Bit 6	Bit 5	Bit 4	Bit 3	Bit 2	Bit 1	Bit 0
Command							
OC1	OC0				Address		
0	0	0	0	0	1	1	1
Data							
x	x	x	x	SOCR3	SOCR2	SOCR1	SOCR0
0	0	0	0	0	1	1	0

Example 2:

Turning ON channel 0 without changing other channels status

Dummy = Read SOCR

Dummy = [Dummy.OR.0x01] & 0x3F => Dummy = b00000111

Table 29. Write SOCR Dummy

Bit7	Bit 6	Bit 5	Bit 4	Bit 3	Bit 2	Bit 1	Bit 0
Command							
OC1	OC0				Address		
0	0	0	0	0	1	1	1
Data							
x	x	x	x	SOCR3	SOCR2	SOCR1	SOCR0
0	0	0	0	0	1	1	1

2. **Direct Input INx** - in Fail safe, standby and Reset modes, turn ON/OFF the outputs by applying high, respectively low, logic levels to dedicated pin.

While in normal mode, output can use INx pin to control output if corresponding bit in DIENCR is at logic high level.

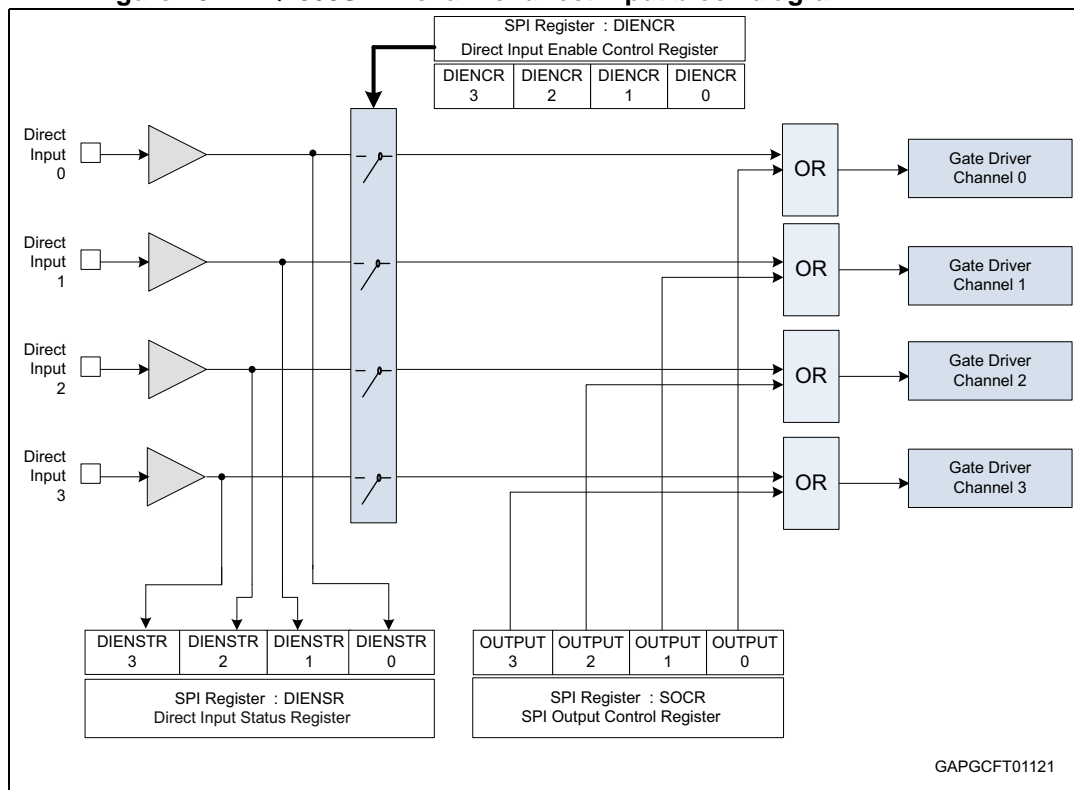
Then this truth table specifies output state:

Table 30. Truth table

DIENCRx	SOCRx	INx	OUTPUTx state
1	1	X	ON
1	0	L	OFF
1	0	H	ON
0	1	X	ON
0	0	X	OFF

The output channels 0 and 1 can be configured to operate in BULB or LED mode using the Channel Control Register (CCR). If the relevant bit in CCR is 0, the output is configured in BULB mode, if it is set to 1, the output is configured in LED mode.

Figure 16. VNQ7003SY: 4-channel direct input block diagram



GAPGCFT01121

4.6 Control registers

4.6.1 Address 0x00h — Control Register (CTLR)

Table 31. CTLR — Control Register

Bit	Name	Access	Reset	Content
7	Reserved	—	—	
6	Reserved	—	—	
5	GOSTBY	R/W	0	Go to standby mode 1: Enter standby mode It is necessary to do 2 write accesses to enter standby: 1. Write UNLOCK = 1 2. Write GOSTBY = 1 and EN = 0
4	UNLOCK	R/W	0	Unlock bit, has to be set before GOSTBY or EN can be set
3	Reserved	—	—	

Table 31. CTLR — Control Register (continued)

Bit	Name	Access	Reset	Content
2	CTDTH1	R/W	0	Case Thermal Detection Threshold
1	CTDTH0	R/W	0	These bits allow to configure the case thermal detection of the device. Three temperature thresholds are available by programming these two bits. CDTH1 CTDH0 Detection temp 0 0 120 °C 0 1 130 °C 1 X 140 °C
0	EN	R/W	0	Enter Normal mode 1: Normal mode 0: Fail Safe mode It is necessary to do 2 write accesses to enter Normal mode: 1. Write UNLOCK = 1 2. Write EN = 1 and GOSTBY = 0

4.6.2 Address 0x01h — Direct Input Enable Control Register (DIENCR)

Table 32. DIENCR — Direct Input Enable Control Register

Bit	Name	Access	Reset	Content
7	Reserved	—	—	Reserved
6	Reserved	—	—	
5	Reserved	—	—	
4	Reserved	—	—	
3	DIENCR3	R/W	0	The DIENCR enables the control of the corresponding output channel by the direct input. 1: parallel input INx controls OUTPUTx 0: function disabled
2	DIENCR2	R/W	0	
1	DIENCR1	R/W	0	
0	DIENCR0	R/W	0	

Note: Please refer also to [Table 30: Truth table](#).

4.6.3 Address 0x02h — Open-load OFF-State Control Register (OLOFFCR)

Table 33. OLOFFCR — Open-load OFF-state control register

Bit	Name	Access	Reset	Content
7	Reserved	—	—	Reserved
6	Reserved	—	—	
5	Reserved	—	—	
4	Reserved	—	—	
3	OLOFFCR3	R/W	0	The OLOFFCR enables an internal pull-up current generator to distinguish between the open-load OFF-state fault and the output shorted to V _{CC} fault. 1: Pull-up current generator enabled for OUTPUTX 0: Pull-up current generator disabled for OUTPUTX
2	OLOFFCR2	R/W	0	
1	OLOFFCR1	R/W	0	
0	CCRO	R/W	0	

4.6.4 Address 0x03h — Channel Control Register (CCR)

Table 34. CCR — Channel control register

Bit	Name	Access	Reset	Content
7	Reserve	—	—	Reserved
6	Reserve	—	—	
5	Reserve	—	—	
4	Reserve	—	—	
3	Reserve	—	—	
2	Reserve	—	—	
1	CCR1	R/W	0	The CCR selects the BULB or LED mode for the corresponding output. 1: LED mode selected for OUTPUTX 0: BULB mode selected for OUTPUTX
0	CCR0	R/W	0	

4.6.5 Address 0x04h — Fast Switching Configuration Register (FASTSWCR)

Table 35. FASTSWCR — Fast Switching Configuration Register

Bit	Name	Access	Reset	Content
7	Reserved	—	0	Reserved
6	Reserved	—	0	
5	Reserved	—	0	
4	Reserved	—	0	
3	FASTSWCR3	R/W	0	The FASTSWCR allows to configure each channel in fast switching mode 1: Fast Switch 0: Normal Switch
2	FASTSWCR2	R/W	0	
1	FASTSWCR1	R/W	0	
0	FASTSWCR0	R/W	0	

4.6.6 Address 0x06h — current sense Multiplexer Control Register (CSMUXCR)

Table 36. CSMUXCR — Current sense Multiplexer Control Register

Bit	Name	Access	Reset	Content
7	Reserved	—	0	Reserved
6	Reserved	—	0	
5	Reserved	—	0	
4	Reserved	—	0	
3	MUXEN	R/W	0	The MUXEN enables the current sense output. Monitored channel is selected by MUXCH bits (0..2)
2	MUXCH	R/W	0	Mux channel selection: encoding.
1		R/W	0	MUXCH = 0..3 - correspond to output channel monitor MUXCH = 4..7 - reserved
0		R/W	0	b0 ~LSB, b3 ~MSB

Table 37. Truth table for current sense Mux Control

b2	b1	b0	Current sense enable
0	0	0	CH0
0	0	1	CH1
0	1	0	CH2
0	1	1	CH3

4.6.7 Address 0x07h — SPI Output Control Register (SOCR)

Table 38. SOCR — SPI Output Control Register

Bit	Name	Access	Reset	Content
7	Reserved	—	—	Reserved
6	Reserved	—	—	
5	Reserved	—	—	
4	Reserved	—	—	
3	SOCR3	R/W	0	The SOCR register controls the output drivers in Normal Mode. One bit per channel and the dx corresponds to channel-x. 1: The corresponding output is enabled 0: The corresponding output is disabled
2	SOCR2	R/W	0	
1	SOCR1	R/W	0	
0	SOCR0	R/W	0	

Please refer also to [Table 30: Truth table](#).

4.6.8 Address 0x08h — Channel Latch OFF Timer Control Register (ch0, ch1) (CHLOFFTCR0,1)

In Normal Mode, the output behavior in case of power limitation or thermal shutdown is programmable, as latch-off, time limited auto-restart ($t_{blanking}$). The default mode is the latch-off mode.

In latched off-state the fault has to be cleared to re-enable the output channel after an overtemperature or power limitation event through a new value written through SPI command at CHLOFFTCRx register.

In fail-safe state, the device operates in unlimited auto-restart mode.

Example 3:

Table 39. Channel configuration

Bit x3	Bit x2	Bit x1	Bit x0		Blanking time window duration
0	0	0	0	0x0	0 ms (latch-off configuration - default)
0	0	0	1	0x1	17 ms
0	0	1	0	0x2	34 ms
0	0	1	1	0x3	51 ms
....					
1	1	1	0	0xE	238 ms
1	1	1	1	0xF	255 ms

Table 40. CHLOFFTCR0,1 — Channel Latch OFF Timer Control Register (ch0, ch1)

Bit	Name	Access	Reset	Content
7	CHLOFFTCR13	R/W	0	CHLOFFTCR1x It configures the blanking time duration in case of power limitation or overtemperature for the corresponding output. CHLOFFTCR10 - CHLOFFTCR13: for channel 1
6	CHLOFFTCR12	R/W	0	
5	CHLOFFTCR11	R/W	0	
4	CHLOFFTCR10	R/W	0	
3	CHLOFFTCR03	R/W	0	CHLOFFTCR0x It configures the blanking time duration in case of the power limitation for the corresponding output. CHLOFFTCR00 - CHLOFFTCR03: for channel 0
2	CHLOFFTCR02	R/W	0	
1	CHLOFFTCR01	R/W	0	
0	CHLOFFTCR00	R/W	0	

4.6.9 Address 0x09h — Channel Latch OFF Timer Control Register (ch2, ch3) (CHLOFFTCR2,3)

Table 41. CHLOFFTCR2,3 — Channel Latch OFF Timer Control Register (ch2, ch3)

Bit	Name	Access	Reset	Content
7	CHLOFFTCR33	R/W	0	CHLOFFTCR3x It configures the blanking time duration in case of the power limitation for the corresponding output. CHLOFFTCR30 - CHLOFFTCR33: for channel 3
6	CHLOFFTCR32	R/W	0	
5	CHLOFFTCR31	R/W	0	
4	CHLOFFTCR30	R/W	0	

Table 41. CHLOFFTCR2,3 — Channel Latch OFF Timer Control Register (ch2, ch3) (continued)

Bit	Name	Access	Reset	Content
3	CHLOFFTCR23	R/W	0	CHLOFFTCR2x
2	CHLOFFTCR22	R/W	0	It configures the blanking time duration in case of the power limitation for the corresponding output. CHLOFFTCR20 - CHLOFFTCR23: for channel 2
1	CHLOFFTCR21	R/W	0	
0	CHLOFFTCR20	R/W	0	

5 Diagnostic

Device is capable to provide digital diagnostic information through SPI interface and analogue diagnostic signal using current sense signal.

5.1 Analogue diagnostic

The Analogue output signal provides:

- Mirror Current - output in current mode, proportional of the load current in normal operation, according to K-ratio
- No signal - output is in High Z (tri-state)

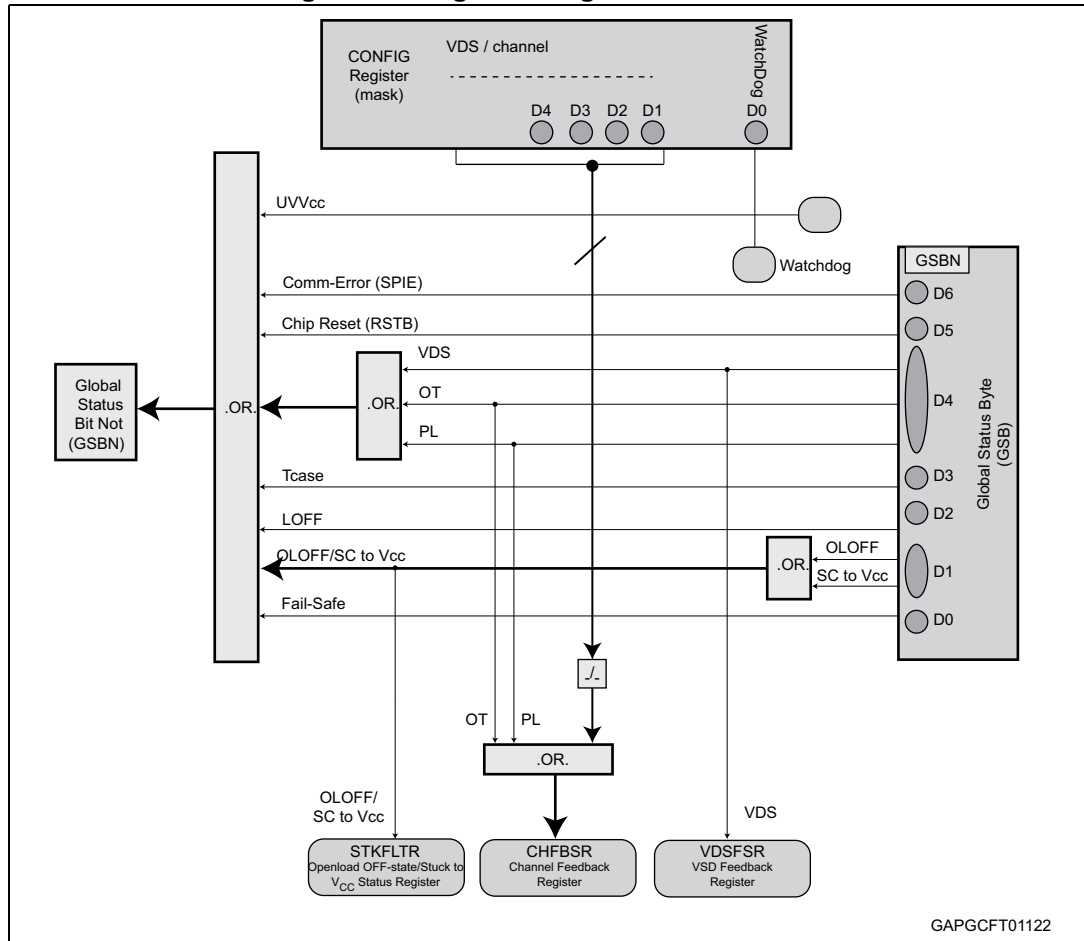
The CSMUXCR register is used to enable the current sense feature of each channel to the current sense pin.

Each channel integrates an analog current sense function which can be connected to the current sense pin by setting the MUXEN bit (bit 3) and by setting the corresponding channel in the MUX channel selection bits (bits 0, 1 and 2) in the address 0x06h - current sense Multiplexer Control Register (CSMUXCR).

5.2 Digital diagnostic

Global status byte (GSB) provides preliminary status of device every SPI communication with device. It informs about device actual mode (normal/ fail-safe).

Figure 17. Diagnostic registers



By reading additional status registers, more detailed information is provided. Status information is stored in the status registers.

5.2.1 Status registers

Table 42. Status registers

Address	Name	Access	Description
0x2F	DIENSR	Read	Direct Input Status register. This register is a real time one and reads back the Input state for each direct input. The register content is cleared if the battery voltage is not present.
0x30	CHFBSR	Read/Clear	Channel Feedback Status Register Each bit specifies channel fault state, providing a logical "OR" combination of VDS, PWLM, OT failure flags related to OUTPUTx. The contribution of VDS failure can be masked through CONFIG register settings.
0x31	STKFLTR	Read/Clear	Open-load OFF-state/ Stuck to V _{CC} Status Register Provides information about open load or stuck to V _{CC} , depending on the configuration of the OLOFFCR register.
0x32	CHLOFFSR	Read	Channels latch-off status register One bit per channel. In case a channel is latch-off, this flag is set and is readable by MCU In latched-off state the fault has to be cleared through a Write operation of dedicated CHLOFFTCRx register to re-enable the output channel after an overtemperature or power limitation event
0x33	VDSFSR	Read/Clear	VDS feedback status register Each bit specifies channel fault state in case of high voltage drop across PowerMos (VDS)
0x34	GENSR	Read/Clear	Generic Status register Bit 7: Undervoltage warning flag Bit 6: Reset warning bit. This bit is set in case of Reset event (HW Reset or SW Reset). Bit 5: SPI Error warning bit. Bit 6 & Bit 5 have to be cleared through a Read & Clear command. Bit 7 is a real time bit.

Note: Regarding **CHLOFFSR** register, **Time limited auto-restart** and for further information about the Configurable blanking time, please refer to the related chapter.

5.3 Over load (VDS high voltage, Over Load (OVL))

During low duty cycle PWM operation on a shorted load, ON-time may be too short to allow power limitation or overtemperature detection. current sense output is disabled. This would make detection of over load condition impossible. To overcome this, always when an output channel is turned OFF, the voltage drop on the PowerMOS (V_{DS}) is measured. If V_{DS} (voltage across PowerMOS output stage) exceeds the threshold defined by the parameter

V_{DS_OVL} , an over load condition is detected. The corresponding bit in the over load status register VDSFSR (address 0x33h) is set.

The same information is saved in the Channel Feedback Status Register (CHFBSR), if it is not masked in the CONFIG register.

Consequently, the bit 4 in the Global Status Byte and the Global Error Flag are set, if it is not masked in the CONFIG register.

The VDSFSR is a warning and the channel can be switched on again even if the VDSFSRx bit is set. The VDSFSRx bit remains unchanged until a read and clear command on VDSFSR is sent by the SPI or until the output is turned off the next time, when V_{DS} is evaluated again.

In case of low duty cycle PWM operation (i.e. 3% typical at 200 Hz in Bulb mode), V_{DS} might be greater than a threshold defined by the parameter V_{DS_OVL} even if the output is not in over load state so that a false warning is issued.

Please refer to the [Section 4.3.1: Global Status byte description](#), [Section 5.7: Address 0x30h — Channel Feedback Status Register \(CHFBSR\)](#) and [Section 5.10: Address 0x33h — VDS Feedback Status Register \(VDSFSR\)](#).

5.4 Open-load ON-state detection

The open-load ON-state is performed by reading the current sense.

5.5 Open-load OFF-state detection

If the output voltage V_{OUT} in OFF-state of the output is greater than the open-load detection threshold voltage V_{OL} , an open-load OFF-state / Stuck to V_{CC} event is detected. The corresponding bit in the Open-load OFF-state / Stuck to V_{CC} status register STKFLTR (address 0x31h) is set. Consequently, the OLOFF bit (bit 1) in the Global Status Register and the Global Status Bit Not are set. To avoid false detection, the diagnosis starts after turn-off of a channel with an additional delay t_{DOLOFF} .

To distinguish between an open-load OFF-state event and a short to V_{CC} condition, an internal pull-up current generator can be enabled for each channel by setting the corresponding bit in the open-load OFF-state control register (OLOFFCR, address 0x02h).

The activated pull-up current generators are active in Normal Mode, in Fail Safe Mode and in standby Mode. In Sleep Mode 2, the current generators are switched off. The register contents, however, are saved also in Sleep Mode 2, consequently the current generators are reactivated after a return to standby or a wakeup to Fail Safe Mode. A hardware reset ($V_{DD} < V_{DD_POR_OFF}$) or a software reset (Command byte = FFh) clears all register contents and hence the current generators are switched off.

Figure 18. Open-load OFF-state detection

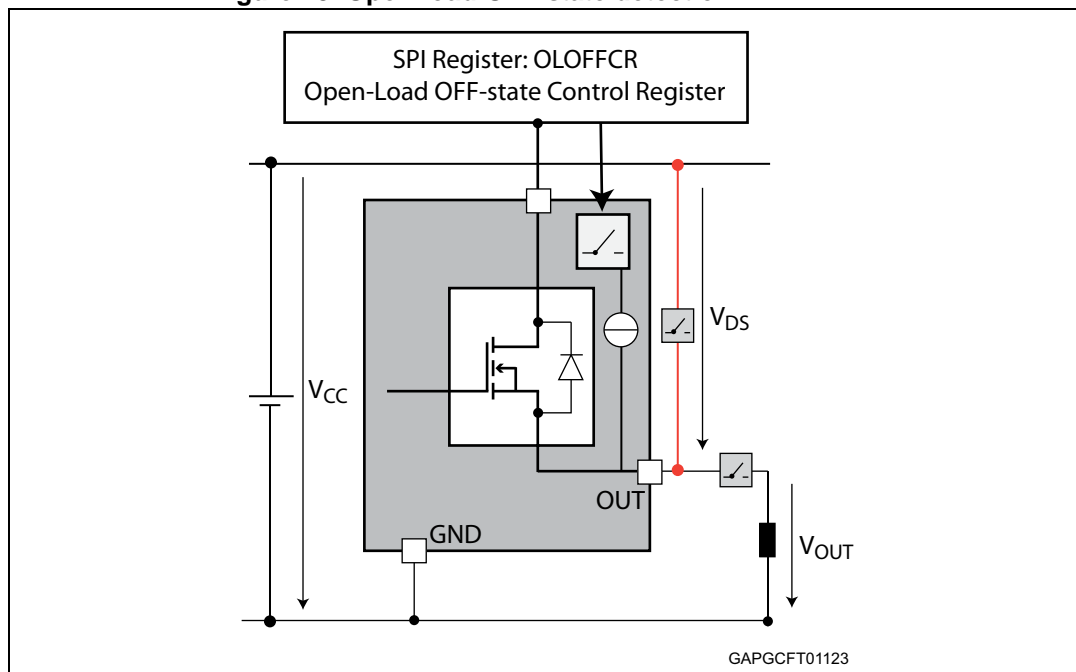


Table 43. STKFLTR state

	With internal pull-up generator	Without internal pull-up generator
Case 1: load connected	"0" / no fault	"0" / no fault
Case 2: no load	"1" / fault	"0" / no fault
Case 3: output shorted to V _{CC}	"1" / fault	"1" / fault

5.6 Address 0x2Fh — DIENSR: Direct Input Status register

Table 44. DIENSR — Direct Input Status register

Bit	Name	Access	Reset	Content
7	Reserved	—	0	Reserved
6	Reserved	—	0	
5	Reserved	—	0	
4	Reserved	—	0	
3	DIENSTR3	R	0	The DIENSTRx registers read back the status of the Direct Inputs. 1: The corresponding input is HIGH 0: The corresponding input is LOW DIENSTR0 is the direct input status of the channel 0
2	DIENSTR2	R	0	
1	DIENSTR1	R	0	
0	DIENSTR0	R	0	

5.7 Address 0x30h — Channel Feedback Status Register (CHFBSR)

Table 45. CHFBSR — Channel Feedback Status Register

Bit	Name	Access	Reset	Content
7	Reserved	—	0	Reserved
6	Reserved	—	0	
5	Reserved	—	0	
4	Reserved	—	0	
3	CHFBSR3	R/C	0	The CHFBSRx provides a logical "OR" combination of VDS, PL, OT failure flags related to OUTPUTx.
2	CHFBSR2	R/C	0	The contributions of VDS failure flags are maskable through CONFIG register settings.
1	CHFBSR1	R/C	0	CHFBSRx = 1: Channel OUTPUTx on failure CHFBSRx = 0: Channel OUTPUTx no failure The bits are refreshed continuously in ON-state and latched in OFF-state. The bits are not set in case of latch-off configuration and if contribution of VDS failure flags is masked. In order to clear the bit in OFF-state, it is necessary to send a Read-Clear command
0	CHFBSR0	R/C	0	

5.8 Address 0x31h — Open-load OFF-State / Stuck to VCC Status Register (OLOFFCR)

Table 46. STKFLTR — Open-load OFF-State / Stuck to VCC Status Register

Bit	Name	Access	Reset	Content
7	Reserved	—	0	Reserved
6	Reserved	—	0	
5	Reserved	—	0	
4	Reserved	—	0	
3	OLOFFSR3	R/C	0	The OLOFFCR bit is set in OFF-state after turn-off delay, the t_{DOFF} is elapsed if $V_{OUT} > V_{OL}$. It gives an information about open load or a stuck to V_{CC} which depends on the configuration of the OLOFFCR register (for details refer to the functional description). The bit is continuously refreshed in OFF-state and it is latched during ON-state. In order to clear the bit in ON-state it is necessary to send a Read and Clear command.
2	OLOFFSR2	R/C	0	
1	OLOFFSR1	R/C	0	
0	OLOFFSR0	R/C	0	1: Open-load in OFF-state or stuck to V_{CC} condition occurred for OUTPUTX 0: No fault detected

5.9 Address 0x32h — Channels latch-off status register (CHLOFFSR)

Table 47. CHLOFFSR — Channels latch-off status register

Bit	Name	Access	Reset	Content
7	Reserved	—	0	Reserved
6	Reserved	—	0	
5	Reserved	—	0	
4	Reserved	—	0	
3	CHLOFFSR3	R	0	Latch OFF flag register. One bit per channel. – In case of latch-OFF of a channel because of power-limitation or overtemperature, this flag is set and readable by MCU – In latch-off state the fault has to be cleared through a Write operation of dedicated CHLOFFTCRx register to re-enable the output channel after an overtemperature or power limitation event. A SW reset event clears the content of the register
2	CHLOFFSR2	R	0	
1	CHLOFFSR1	R	0	
0	CHLOFFSR0	R	0	

5.10 Address 0x33h — VDS Feedback Status Register (VDSFSR)

Table 48. VDSFSR — VDS Feedback Status Register

Bit	Name	Access	Reset	Content
7	Reserved	—	0	Reserved
6	Reserved	—	0	
5	Reserved	—	0	
4	Reserved	—	0	
3	VDSFSR3	R/C	0	VDS Feedback status. One bit per channel. – The VDSFSRx bit is set if, at the instant when the channel is commanded off or is latched-off, the $V_{CC} - V_{OUT}$ voltage drop exceeds V_{DS_OVL} threshold. The bit is latched until the next turn OFF. In order to clear the bit it is necessary to send a read and clear command. The VDSFSRx bit is set to: 1: High VDS detected on OUTPUTx 0: no fault detected Note: As the status register is not updated while CSN is low, it is possible that the update of the VDSFSR is delayed until the next time it is commanded off, if the PowerMOS is turned off during an SPI- frame.
2	VDSFSR2	R/C	0	
1	VDSFSR1	R/C	0	
0	VDSFSR0	R/C	0	

5.11 Address 0x34h — Generic Status Register (GENSR)

Table 49. GENSR — Generic Status Register

Bit	Name	Access	Reset	Content
7	VCCUV	R	0	VCC undervoltage detection, Active High: this bit is related to the VCC undervoltage detection and is real time, means that it is set when $V_{CC} < V_{USD}$ and it is automatically reset as soon as $V_{CC} > V_{USD} + V_{USDHYST}$. This bit sets the Global Error Flag of the GSB.
6	RST	R/C	0	Active High: this bit is high in case of chip reset (hardware reset due to a loss of VREG supply or software reset). This bit is set until a Read and Clear Command is performed.
5	SPIE	R/C	0	Active High: this bit is set at end of Communication in case of wrong number of clock cycles during a communication frame or invalid bus condition or SDI stuck at High or Low conditions. This bit is set until a Read and Clear is performed.
4	Reserved	—	0	
3	Reserved	—	0	
2	Reserved	—	0	
1	Reserved	—	0	
0	Reserved	—	0	

5.12 Address 0x3Fh — Configuration Register (CONFIG)

Table 50. CONFIG — Configuration Register

Bit	Name	Access	Reset	Content
7	Reserved	—	0	Reserved
6	Reserved	—	0	Reserved
5	Reserved	—	0	Reserved
4	VDSMASK3	R/W	0	Masks the contribution of the VDS status bit in the channel feedback status register and Global Status Byte For channel 3 1: VDS bit is masked 0: VDS bit not masked
3	VDSMASK2	R/W	0	Masks the contribution of the VDS status bit in the channel feedback status register and Global Status Byte For channel 2 1: VDS bit is masked 0: VDS bit not masked
2	VDSMASK1	R/W	0	Masks the contribution of the VDS status bit in the channel feedback status register and Global Status Byte For channel 1 1: VDS bit is masked 0: VDS bit not masked

Table 50. CONFIG — Configuration Register

Bit	Name	Access	Reset	Content
1	VDSMASK0	R/W	0	Masks the contribution of the VDS status bit in the channel feedback status register and Global Status Byte For channel 0 1: VDS bit is masked 0: VDS bit not masked
0	WDTB	R/W	0	Changing the polarity of the Watchdog Toggle Bit (WDTB) within Watchdog Timeout (WDTO linked to t_{WDTB} parameter, see Table 58: Dynamic characteristics - Mode 1) keeps the device in NORMAL operating mode

Figure 19. Diagnostic flowchart based on GSB

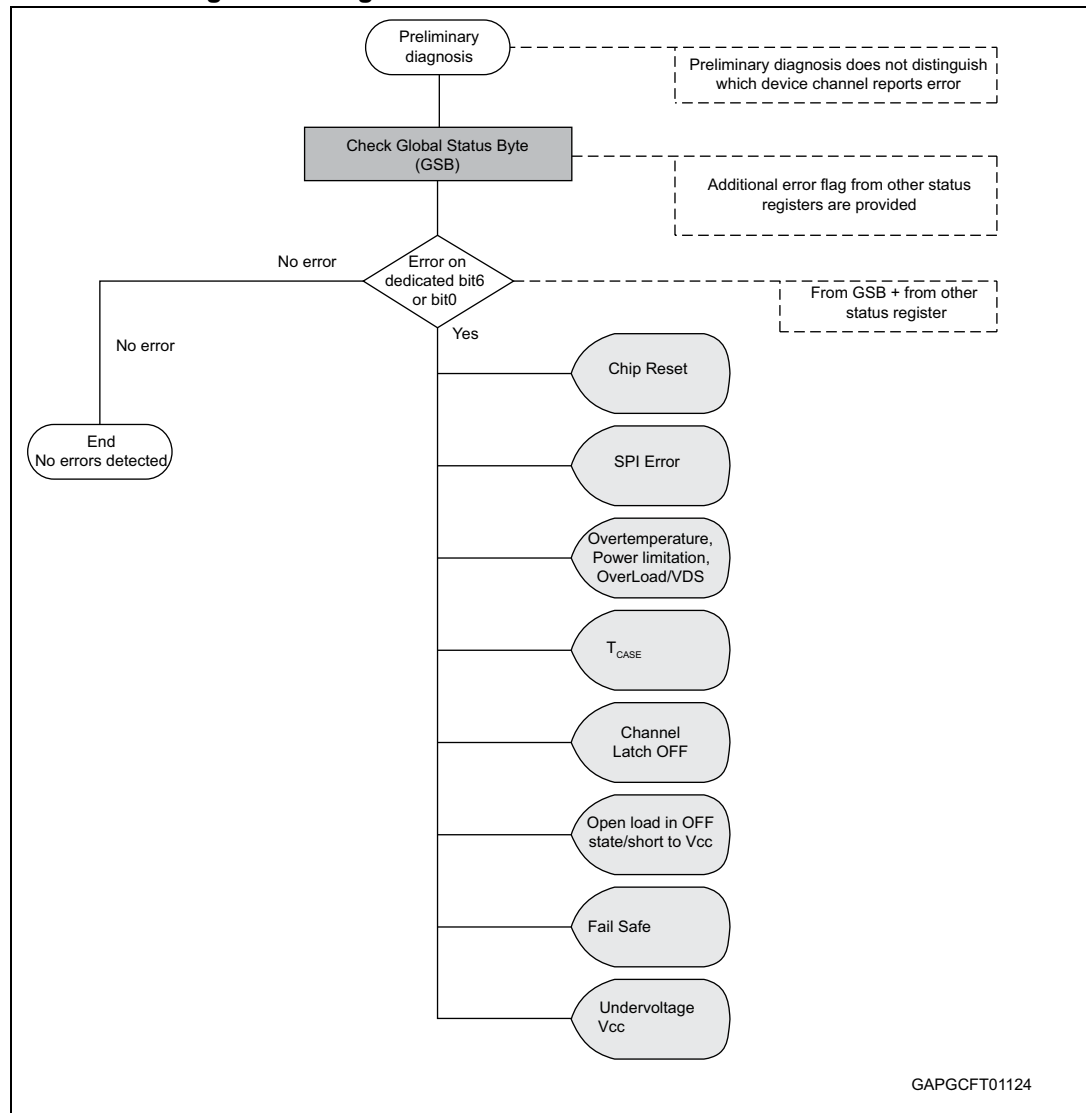


Figure 20. Diagnostic flowchart for open-load off-state respectively stuck to VCC failure

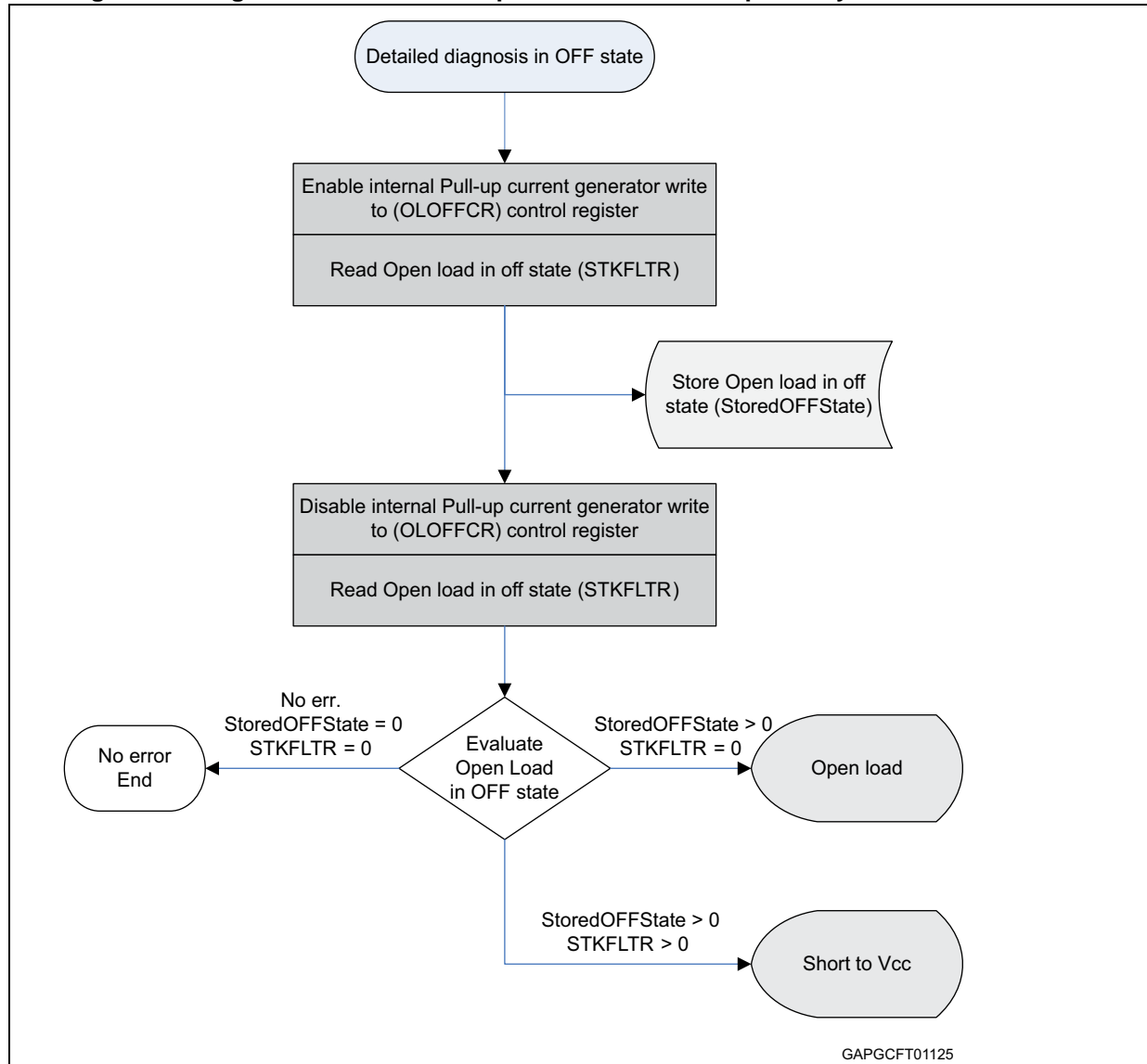
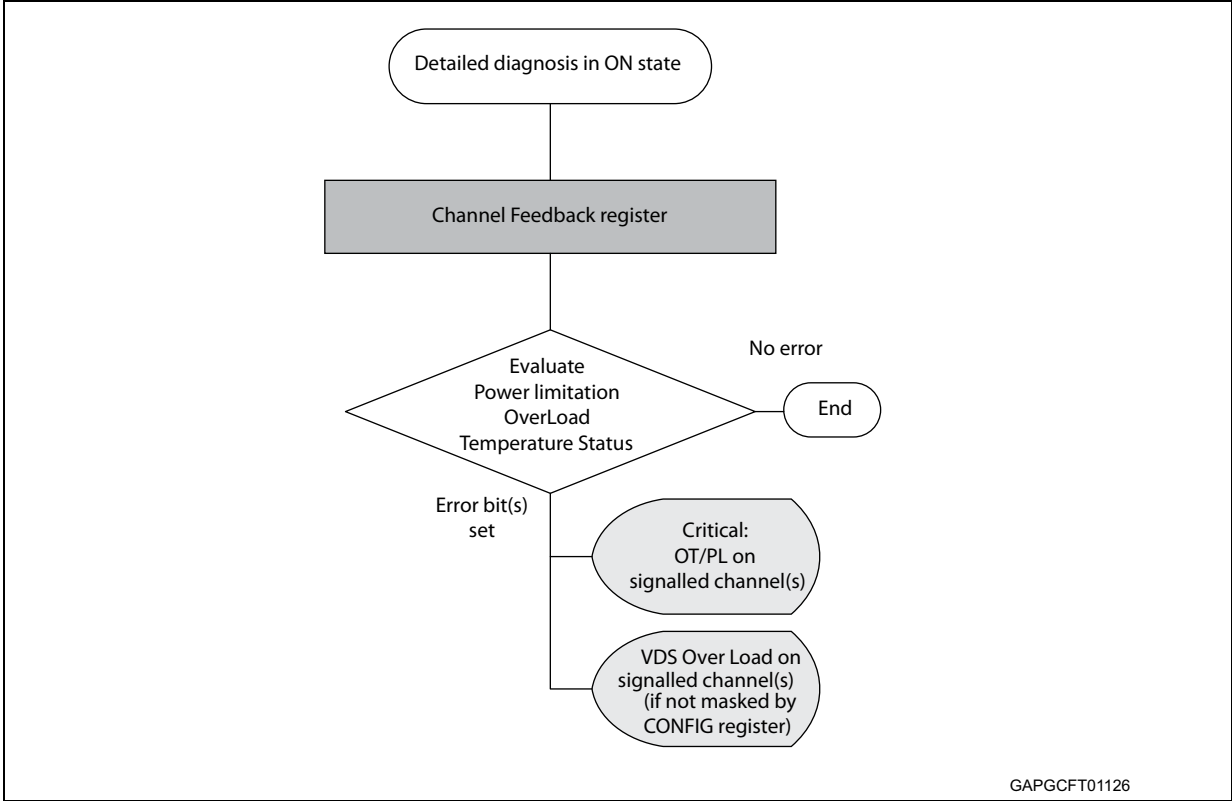


Figure 21. Diagnostic flowchart for digital overload detection



GAPGCFT01126



6 Programmable blanking window

Dedicated registers for each channel (CHLOFFTCR0,1 and CHLOFFTCR2,3) provide a variable and programmable blanking window in case of power limitation or overtemperature event. During this period, the corresponding channel is in auto-restart mode and the channel is allowed to stay in power-limitation and/or overtemperature state before latching off, once blanking time is expired, if the cause of the power limitation or overtemperature event is still present. In this case the channel latches off and the related flag in the latch-off error register (CHLOFFSR) is set. Latch-off flag is also reported in the Global Status Byte (see [Section 4.3.1: Global Status byte description](#)).

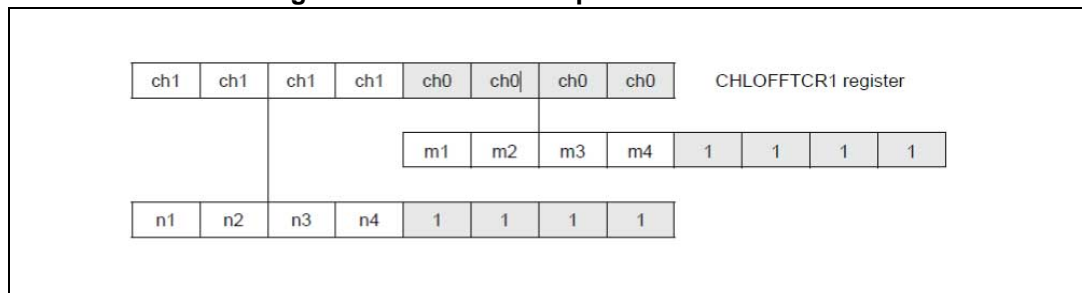
If during the blanking time the cause of power limitation and/or overtemperature event disappears, the timer stops then the rest of the blanking time will be available for another power limitation and/or overtemperature event. Therefore it is up to MCU to reset the timer by refreshing the programmed value in the dedicated register (CHLOFFTCR0,1 or CHLOFFTCR2,3).

MCU can keep the device in auto-restart forever artificially, by refreshing the programmed blanking time.

6.1 Timer

The 4 bit value per channel written in CHLOFFTCRx register is translated internally into an 8 bit value. The four MSB of this 8 bit value correspond to the content of CHLOFFTCRx register, while the four LSB are filled with 0xF. The 8 bit value refers to an analogue timer value.

Figure 22. Internal timer process



The granularity of the 8-bit counter is tSTEP. At each power limitation or overtemperature event, the 8-bit counter is decreased by the number of steps equal to the duration of power limitation or overtemperature event. If power limitation or overtemperature phase lasts for less than tSTEP the counter is decreased by one step.

After each downcount of the 8-bit register, the 4 MSB bits will be transferred to the 4 bits of corresponding CHLOFFTCRx register in order to refresh this register to the new value of the timer. The microcontroller can read only the 4 MSB bits content of the register. In consequence, the microcontroller can detect a change of every 16 steps of downcounting.

Downcounting is stopped and the content of the 8-bit counter is frozen, when the channel is commanded off through Direct Input or SOCR register or when the channel goes into Fail Safe mode.

6.2 Blanking window values

Typical values of the configurable blanking window are shown in [Table 51: Time values written by MCU and their real value in timer register](#).

Table 51. Time values written by MCU and their real value in timer register

Bit 7 or bit 3	Bit 6 or bit 2	Bit 5 or bit 1	Bit 4 or bit 0	0xm	0xmF	Typical value of blanking time
0	0	0	0	0x0	0xF	Latch-OFF (ZERO)
0	0	0	1	0x1	0x1F	17 ms
0	0	1	0	0x2	0x2F	34 ms
0	0	1	1	0x3	0x3F	51 ms
....				0x4	0x4F	68 ms
....			
1	1	1	0	0xE	0xEF	238 ms
1	1	1	1	0xF	0xFF	255 ms

A peculiarity exists for the value 0x0. It configures the channel in Latch-OFF mode without blanking time. Consequently the channel will latch-off upon the first occurrence of power limitation or overtemperature event.

6.3 Limp Home mode

In Limp Home mode, the device is in unlimited auto-restart operation. The blanking time window has no effect on the duration of the auto-restart.

6.4 Registers

For more details refer to the SPI register and Diagnostics.

- Address 08h - Channel Latch OFF Timer Control Register (CHLOFFTCR0,1)
- Address 09h - Channel Latch OFF Timer Control Register (CHLOFFTCR2,3)

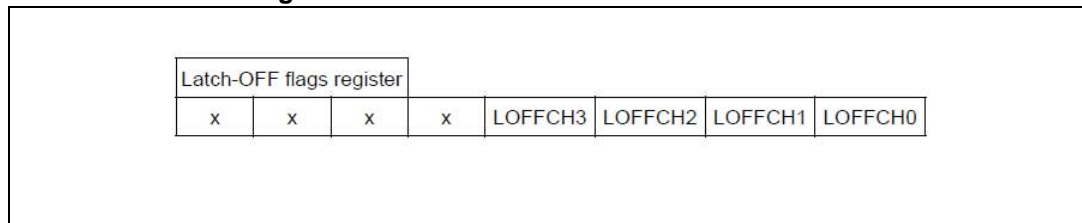
8 bit registers (Latch-OFF timer: R/W) are used for channel behavior configuration and the timer value setting. For each channel 4 bits are used.

The value is written by MCU from 0x0 to 0xF.

Latch-Off timer register access

- **Write command** – store new value, read-back (during write command) old value equal to the TIMER down-counting.
 - Any write command will clear the Flag in the Latch-OFF-Flag register and reset the timer.
 - This function will be used by MCU to clear the flag in the Latch-OFF-Flag register, which is READ only register.
- **Read command** – reads currently down-counted TIMER value. If channel was latched because of timer expired, channel is kept latched after read command.
- Address 32h - Channels latch-off status register – CHLOFFSR

Each channel has one flag. Unused channels or not existent one is reserved bit. In case of latch-OFF of a channel, this flag will be set and readable by MCU.

Example 2:**Figure 23. VNQ7003SY CHLOFFSR****Latch-OFF Flag register access**

- **Write command** – not allowed (status register)
- **Read command** – reads current status of channels; this has no impact on latched / un-latched channels.
- **Clear command** – not allowed. To clear this register, a write operation in the corresponding bit of CHLOFFTCR is required.

7 Electrical specifications

7.1 Absolute maximum ratings

Stressing the device above the rating listed in the [Table 52: Absolute maximum ratings](#) may cause permanent damage to the device. These are stress ratings only and operation of the device at these or any other conditions above those indicated in the operating sections of this specification is not implied. Exposure to absolute maximum rating conditions for extended periods may affect device reliability.

Table 52. Absolute maximum ratings

Symbol	Parameter	Value	Unit
V_{REG}	DC SPI supply stabilization	3.6	V
$-V_{REG}$	Reverse DC SPI supply stabilization	0.3	V
V_{CCJS}	Maximum jump start voltage for single pulse short circuit protection	28	V
V_{CC}	DC supply voltage	38	V
$-V_{CC}$	Reverse DC supply voltage (without external components)	0.3	V
$I_{OUT0,1,2,3}$	Maximum DC output current	Internally limited	A
$-I_{OUT0,1}$	Reverse DC output current	9	A
$-I_{out2,3}$		20	
I_{SENSE}	CS pin DC output current ($V_{GND} = V_{CC}$ and $V_{SENSE} < 0$ V)	10	mA
	CS pin DC output current in reverse ($V_{CC} < 0$ V)	-20	
$E_{MAX0,1}$	Maximum switching energy (single pulse) $T_{DEMAG} = 0.1$ ms; $T_{jstart} = 150^{\circ}\text{C}$	12.5	mJ
$E_{MAX2,3}$	Maximum switching energy (single pulse) $T_{DEMAG} = 0.1$ ms; $T_{jstart} = 150^{\circ}\text{C}$	39.6	mJ
V_{SDO}	DC SPI pin voltage	$V_{DD} + 0.3$	V
$-V_{SDO}$	Reverse DC SPI pin voltage	0.3	V
$I_{SDI,CSN,SC}$	DC SPI pin current	+10/-1	mA
V_{DD}	DC Digital Control supply	7	V
$-V_{DD}$	Reverse DC Digital Control supply	0.3	V
$I_{DIN0,1}$	DC direct input current	+1/-1	mA
$I_{DIN2,3}$		+1/-1	

Table 52. Absolute maximum ratings

Symbol	Parameter	Value	Unit
ESD	Electrostatic discharge (ANSI-ESDA-JEDEC-JS-001-2014)	2000	V
	– IN0,1,2,3	2000	
	– VDD	2000	
	– VREG	2000	
	– CSN, SDI, SCK	2000	
	– SDO	2000	
	– Current sense	4000	
	– OUT0,1,2,3	4000	
T _j	Junction operating temperature	-40 to 150	°C
T _{STG}	Storage temperature	-55 to 150	°C
I _{LAT}	Latch up current	±20	mA

7.2 Thermal data

Table 53. Thermal data

Symbol	Parameter	Typ. value	Unit
R _{thj-board}	Thermal resistance junction-board (JEDEC JESD 51-8)	3.8	°C/W
R _{thj-amb}	Thermal resistance junction-ambient 3)	See Figure 31	

7.3 SPI electrical characteristics

Mode 1: 4.5 V < V_{DD} < 5.5 V, V_{DD} and V_{REG} independent; -40 °C < T_j < 150 °C, unless otherwise specified.

Mode 2: 2.7 V < V_{DD} < 3.3 V, V_{DD} and V_{REG} short circuited; -40 °C < T_j < 150 °C, unless otherwise specified.

Table 54. DC characteristics - Mode 1

Symbol	Parameter	Test conditions	Min.	Typ.	Max.	Unit
V _{DD} pin						
V _{DD_POR_ON}	Power-on reset threshold. Device leaves the Reset mode. Supply of digital part is reset.	V _{DD} increasing; V _{CC} > V _{USD}		2.3	2.8	V
V _{DD_POR_OFF}	Power-on shutdown threshold. Device enters Reset mode. Supply of digital part in shutdown.	V _{DD} decreasing; V _{CC} > V _{USD}	1.4	2.0		V
V _{POR_HYST}	Power-on reset hysteresis			0.5		V
I _{DD}	Digital part supply current in normal mode (@ V _{DD} = 5 V)	V _{DD} = 5 V; SPI active without frame communication		0.6	1.0	mA

Table 54. DC characteristics - Mode 1 (continued)

Symbol	Parameter	Test conditions	Min.	Typ.	Max.	Unit
I_{DDstd}	Digital part supply current in standby state (@ Vdd = 5 V)	$V_{DD} = 5\text{ V};$ $T_j = 125\text{ }^\circ\text{C}, I_{NX} = 0\text{ V}$		5	20	μA
SDI, SCK pins						
I_{IL}	Low level Input current	$V_{SDI,SCK} = 0.3\text{ V}_{DD}$	1			μA
I_{IH}	High level Input current	$V_{SDI,SCK} = 0.7\text{ V}_{DD}$			10	μA
V_{IL}	Input low voltage				$0.3V_{DD}$	V
V_{IH}	Input high voltage		$0.7V_{DD}$			V
V_{LHYST}	Input hysteresis voltage			1.0		V
V_{SDI_CL}	SDI clamping voltage	$I_{IN} = 1\text{ mA}$	5.8		7.3	V
		$I_{IN} = -1\text{ mA}$		-0.6		V
V_{SCK_CL}	SCK clamping voltage	$I_{IN} = 1\text{ mA}$	5.8		7.3	V
		$I_{IN} = -1\text{ mA}$		-0.6		V
SDO pin						
V_{OL}	Output low voltage	$I_{SDO} = -5\text{ mA};$ CSN low; fault condition; no SCK			0.2 V_{DD}	V
V_{OH}	Output high voltage	$I_{SDO} = 5\text{ mA};$ CSN low; no fault condition; no SCK	$0.8V_{DD}$			V
I_{LO}	Output leakage current	$V_{SDO} = 0\text{ V}$ or $5\text{ V},$ CSN high; $-40\text{ }^\circ\text{C} < T_j < 85\text{ }^\circ\text{C}$	-5		5	μA
CSN pin						
I_{IL_CSN}	Low level Input current	$V_{CSN} = 0.3\text{ V}_{DD}$	-10			μA
I_{IH_CSN}	High level Input current	$V_{CSN} = 0.7\text{ V}_{DD}$			-1	μA
V_{IL_CSN}	Output low voltage				$0.3V_{DD}$	V
V_{IH_CSN}	Output high voltage		$0.7V_{DD}$			V
V_{HYST_CSN}	Input hysteresis voltage			1.0		V
V_{CL_CSN}	CSN clamping voltage	$I_{IN} = 1\text{ mA}$	5.8		7.3	V
		$I_{IN} = -1\text{ mA}$		-0.6		V
V_{SCK_CL}	SCK clamping voltage	$I_{IN} = 1\text{ mA}$	5.8		7.3	V

Table 55. DC characteristics - Mode 2

Symbol	Parameter	Test conditions	Min.	Typ.	Max.	Unit
V _{DD} pin						
V _{DD_POR_ON}	Power-on reset threshold. Device leaves the Reset mode. Supply of digital part is reset.	V _{DD} increasing; V _{CC} > V _{USD}		2.3	2.8	V
V _{DD_POR_OFF}	Power-on shutdown threshold. Device enters Reset mode. Supply of digital part in shutdown.	V _{DD} decreasing; V _{CC} > V _{USD}	1.4	2.0		V
V _{POR_HYST}	Power-on reset hysteresis			0.3		V
I _{DD}	Digital part supply current in normal mode (@ V _{dd} = 3 V)	V _{DD} = 3 V; SPI active without frame communication		0.3	0.5	mA
I _{DDstd}	Digital part supply current in standby state (@ V _{dd} = 3 V)	V _{DD} = 3 V; T _j = 125 °C, I _{Nx} = 0 V		2	10	μA
SDI, SCK pins						
I _{IL}	Low level Input current	V _{SDI,SCK} = 0.3 V _{DD}	1			μA
I _{IH}	High level Input current	V _{SDI,SCK} = 0.7 V _{DD}			10	μA
V _{IL}	Input low voltage				0.3 V _{DD}	V
V _{IH}	Input high voltage		0.7 V _{DD}			V
V _{I_HYST}	Input hysteresis voltage			0.8		V
V _{SDI_CL}	SDI clamping voltage	I _{IN} = 1 mA	5.8		7.3	V
		I _{IN} = -1 mA		-0.6		V
V _{SDK_CL}	SCK clamping voltage	I _{IN} = 1 mA	5.8		7.3	V
		I _{IN} = -1 mA		-0.6		V
SDO pin						
V _{OL}	Output low voltage	I _{SDO} = -5 mA; CSN low; fault condition; no SCK			0.2V _{DD}	V
V _{OH}	Output high voltage	I _{SDO} = 5 mA; CSN low; no fault condition; no SCK	0.8V _{DD}			V
I _{LO}	Output leakage current	V _{SDO} = 0 V or V _{DD} , CSN high; -40 °C < T _j < 85 °C	-5		5	μA
CSN pin						
I _{IL_CSN}	Low level Input current	V _{CSN} = 0.3 V _{DD}	-10			μA
I _{IH_CSN}	High level Input current	V _{CSN} = 0.7 V _{DD}			-1	μA
V _{IL_CSN}	Output low voltage				0.3 V _{DD}	V
V _{IH_CSN}	Output high voltage		0.7 V _{DD}			V

Table 55. DC characteristics - Mode 2 (continued)

Symbol	Parameter	Test conditions	Min.	Typ.	Max.	Unit
V_{HYST_CSN}	Input hysteresis voltage			0.8		V
V_{CL_CSN}	CSN clamping voltage	$I_{IN} = 1 \text{ mA}$	5.8		7.3	V
		$I_{IN} = -1 \text{ mA}$		-0.6		V

Table 56. AC characteristics (SDI, SCK, CSN, SDO pins) - Mode 1

Symbol	Parameter	Test conditions	Min.	Typ.	Max.	Unit
C_{OUT}	Output capacitance (SDO)	$V_{OUT} = 0 \text{ V to } 5 \text{ V}$	—	—	10	pF
C_{IN}	Input capacitance (SDI)	$V_{IN} = 0 \text{ V to } 5 \text{ V}$	—	—	10	pF
	Input capacitance (other pins)	$V_{IN} = 0 \text{ V to } 5 \text{ V}$	—	—	10	pF

Table 57. AC characteristics (SDI, SCK, CSN, SDO pins) - Mode 2

Symbol	Parameter	Test conditions	Min.	Typ.	Max.	Unit
C_{OUT}	Output capacitance (SDO)	$V_{OUT} = 0 \text{ V to } 3 \text{ V}$	—	—	10	pF
C_{IN}	Input capacitance (SDI)	$V_{IN} = 0 \text{ V to } 3 \text{ V}$	—	—	10	pF
	Input capacitance (other pins)	$V_{IN} = 0 \text{ V to } 3 \text{ V}$	—	—	10	pF

Table 58. Dynamic characteristics - Mode 1

Symbol	Parameter	Test conditions	Min.	Typ.	Max.	Unit
f_C	Clock frequency	Duty cycle = 50%			4	MHz
t_{WHCH}	CSN timeout: time to release SDO bus		30		70	ms
t_{WDTB}	Watchdog toggle bit timeout		30		70	ms
$t_{SLCH}^{(1)}$	CSN low setup time		120			ns
$t_{SHCH}^{(1)}$	CSN high setup time		3000			ns
$t_{DVCH}^{(1)}$	Data in setup time		20			ns
$t_{CHDX}^{(1)}$	Data in hold time		30			ns
$t_{CH}^{(1)}$	Clock high time		115			ns
$t_{CL}^{(1)}$	Clock low time		115			ns
$t_{CLQV}^{(1)}$	Clock low to output valid	$C_{OUT} = 1 \text{ nF}$		150		ns
$t_{QLQH}^{(1)}$	Output rise time	$C_{OUT} = 1 \text{ nF}$		110		ns
$t_{QHQL}^{(1)}$	Output fall time	$C_{OUT} = 1 \text{ nF}$		110		ns
t_{WU}	Rising edge of V_{DD} to first allowed communication		3		23	μs
t_{stdby_out}	Minimum time during which CSN must be toggled low to go out of STDBY mode		30	80	150	μs

Table 58. Dynamic characteristics - Mode 1 (continued)

Symbol	Parameter	Test conditions	Min.	Typ.	Max.	Unit
$t_{SCLK}^{(1)}$	SCK setup time before CSN rising		150			ns
$t_{CSNQV}^{(1)}$	CSN low to output valid			50	100	ns
$t_{CSNQT}^{(1)}$	CSN high to output tristate			50	100	ns

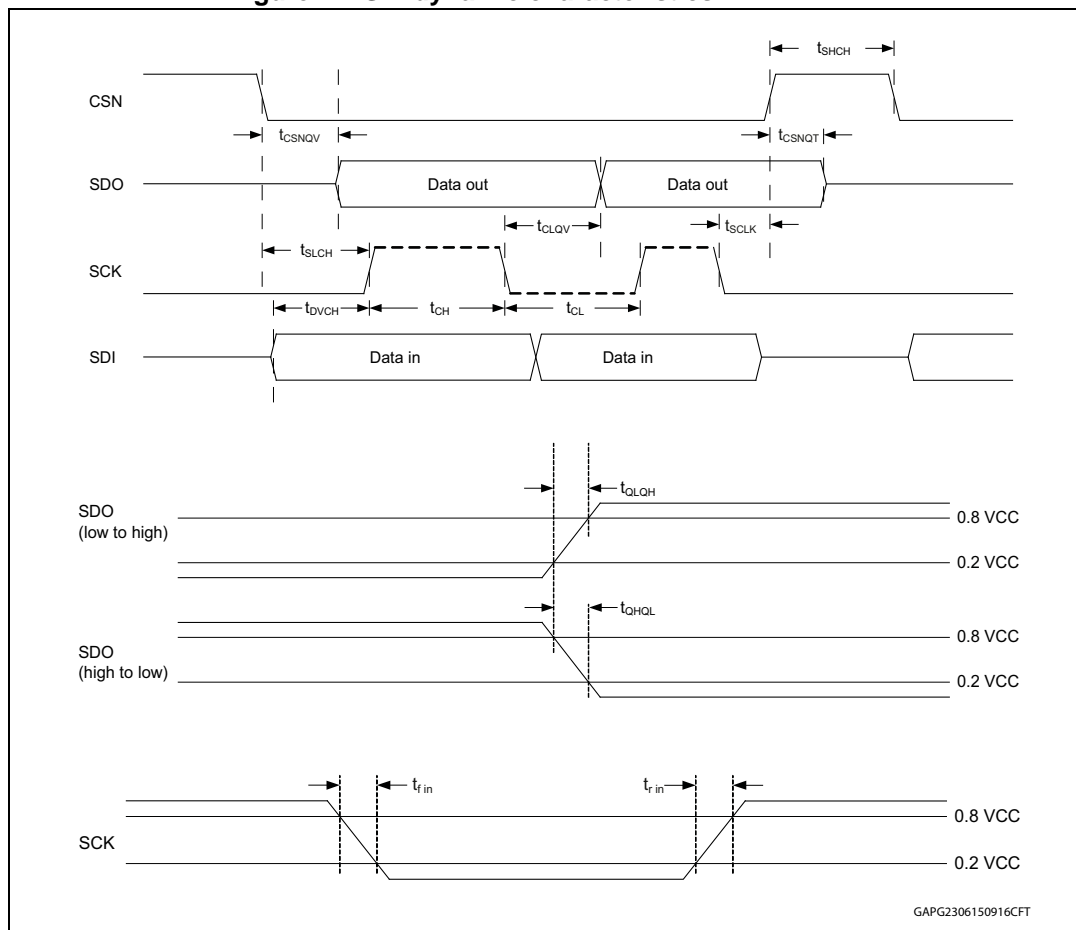
1. Parameter guaranteed by design and characterization; not subject to production test.

Table 59. Dynamic characteristics - Mode 2

Symbol	Parameter	Test conditions	Min.	Typ.	Max.	Unit
f_C	Clock frequency	Duty cycle = 50%			4	MHz
t_{WHCH}	CSN timeout: time to release SDO bus		30		70	ms
t_{WDTB}	Watchdog toggle bit timeout		30		70	ms
$t_{SLCH}^{(1)}$	CSN low setup time		120			ns
$t_{SHCH}^{(1)}$	CSN high setup time		3000			ns
$t_{DVCH}^{(1)}$	Data in setup time		20			ns
$t_{CHDX}^{(1)}$	Data in hold time		30			ns
$t_{CH}^{(1)}$	Clock high time		115			ns
$t_{CL}^{(1)}$	Clock low time		115			ns
$t_{CLQV}^{(1)}$	Clock low to output valid	$C_{OUT} = 1 \text{ nF}$		150		ns
$t_{QLQH}^{(1)}$	Output rise time	$C_{OUT} = 1 \text{ nF}$		110		ns
$t_{QHQL}^{(1)}$	Output fall time	$C_{OUT} = 1 \text{ nF}$		110		ns
t_{WU}	Rising edge of V_{DD} to first allowed communication		3		23	μs
t_{stdby_out}	Minimum time during which CSN must be toggled low to go out of STDBY mode		30	80	150	μs
$t_{SCLK}^{(1)}$	SCK setup time before CSN rising		150			ns
$t_{CSNQV}^{(1)}$	CSN low to output valid			50	100	ns
$t_{CSNQT}^{(1)}$	CSN high to output tristate			50	100	ns

1. Parameter guaranteed by design and characterization; not subject to production test.

Figure 24. SPI dynamic characteristics



GAPG2306150916CFT

Table 60. VREG pin - Mode 1

Symbol	Parameter	Test conditions	Min.	Typ.	Max.	Unit
V_{REG}	Supply voltage in normal mode	$V_{DD} = 5\text{ V}$; normal mode	2.5	3	3.5	V
	Supply voltage in standby mode	$V_{DD} = 5\text{ V}$; standby mode	2.5	3	3.5	V
Z_{REG}	Output impedance	$V_{DD} = 5\text{ V}$; $I_{REG} = 5$		50		Ω
I_{REG_Max}	Maximum output current	$V_{REG} = 90\% *$ $V_{REG(typ)}; V_{DD} = 5\text{ V}$		7		mA

7.4 Electrical characteristics

$7\text{ V} < V_{CC} < 28\text{ V}$; $-40\text{ }^\circ\text{C} < T_j < 150\text{ }^\circ\text{C}$, unless otherwise specified.

Table 61. Power section

Symbol	Parameter	Test conditions	Min.	Typ.	Max.	Unit
V_{CC}	Operating supply voltage		4	13	28	V
V_{USD}	Undervoltage shutdown			3	4	V
$V_{USDhyst}$	Undervoltage shutdown hysteresis			0.25		V
V_{clamp}	V_{CC} clamp voltage	$I_{CC} = 20 \text{ mA}$; $I_{OUT0,1,2,3} = 0 \text{ A}$	38	46	52	V
I_{stby}	Supply current in sleep mode at $V_{CC} = 13 \text{ V}$; $T_j = 25^\circ\text{C}$	Sleep mode1; $V_{CC} = 13 \text{ V}$; $T_j = 25^\circ\text{C}$; $V_{DD} = 0 \text{ V}$		0.1	2	μA
		Sleep mode2; $V_{CC} = 13 \text{ V}$; $T_j = 25^\circ\text{C}$; $V_{DD} = 5 \text{ V}$		5	10	μA
$I_{s(on)}$	Supply current in ON-state	ON-state (all channels ON); $V_{CC} = 13 \text{ V}$; $V_{DD} = 5 \text{ V}$; $I_{OUT} = 0 \text{ A}$		8.5	14	mA
$I_{L(off)}$	OFF state output current at $V_{CC} = 13 \text{ V}$, $T_j = 25^\circ\text{C}$	$V_{DD} = 0 \text{ V}$; $V_{CC} = 13 \text{ V}$; $T_j = 25^\circ\text{C}$; $V_{in} = V_{out} = 0 \text{ V}$	0	0.1	0.5	μA
	OFF-state output current at $V_{CC} = 13 \text{ V}$, $T_j = 125^\circ\text{C}$	$V_{DD} = 0 \text{ V}$; $V_{CC} = 13 \text{ V}$; $T_j = 125^\circ\text{C}$; $V_{in} = V_{out} = 0 \text{ V}$	0		3	μA
$V_{F0,1}$	Output V_{CC} diode voltage at $T_j = 150^\circ\text{C}$	$V_{CC} = 13 \text{ V}$; $I_{OUT} = 3 \text{ A}$; $T_j = 150^\circ\text{C}$			0.7	V
$V_{F2,3}$		$V_{CC} = 13 \text{ V}$; $I_{OUT} = 6 \text{ A}$; $T_j = 150^\circ\text{C}$			0.7	V

Table 62. Logic inputs (IN0,1,2,3 pins)

Symbol	Parameter	Test conditions	Min.	Typ.	Max.	Unit
$V_{IL0,1,2,3}$	Input low level voltage				0.9	V
$I_{IL0,1,2,3}$	Low level input current	$V_{IN} = 0.9 \text{ V}$	1			μA
$V_{IH0,1,2,3}$	Input high level voltage		2.1			V
$I_{IH0,1,2,3}$	High level input current	$V_{IN} = 2.1 \text{ V}$			10	μA
$V_{I(hyst)0,1,2,3}$	Input hysteresis voltage		0.2			V
$V_{ICL2,3}$	Input clamp voltage	$I_{IN} = 1 \text{ mA}$	5.5		7.5	V
		$I_{IN} = -1 \text{ mA}$		-0.7		V
$V_{ICL0,1}$	Input clamp voltage	$I_{IN} = 1 \text{ mA}$	5.5		8.2	V
		$I_{IN} = -1 \text{ mA}$		-0.7		V

Table 63. Protection

Symbol	Parameter	Test conditions	Min.	Typ.	Max.	Uni
$DT_{PLIM}^{(1)}$	Junction-case temperature difference triggering power limitation protection	$V_{CC} = 13\text{ V}$		60		$^{\circ}\text{C}$
DT_{PLIMR}	Junction-case temperature difference resetting power limitation protection	$V_{CC} = 13\text{ V}$		35		$^{\circ}\text{C}$
T_{TSD}	Shutdown temperature	$V_{CC} = 13\text{ V}$	150	175	200	$^{\circ}\text{C}$
$T_R^{(2)}$	Reset temperature	$V_{CC} = 13\text{ V}$, latched off mode disabled	$T_{RS} + 1$	$T_{RS} + 5$		$^{\circ}\text{C}$
T_{RS}	Thermal reset of CHFBSR fault detection	$V_{CC} = 13\text{ V}$, latched off mode disabled	135			$^{\circ}\text{C}$
$T_{HYST}^{(2)}$	Thermal hysteresis ($T_{TSD} - T_R$)	$V_{CC} = 13\text{ V}$, latched off mode disabled		10		$^{\circ}\text{C}$
$T_{CSD}^{(2)}$	Case thermal detection pre-warning	$V_{CC} = 13\text{ V}$ (see Table 31: CTLR — Control Register)	$T_{CSD\text{ nom}-15}$	$T_{CSD\text{ nom}}$	$T_{CSD\text{ nom}+15}$	$^{\circ}\text{C}$
$T_{CR}^{(2)}$	Case thermal detection reset	$V_{CC} = 13\text{ V}$		$T_{CSD\text{ nom}-15}$		$^{\circ}\text{C}$
V_{DS_OVL}	V_{DS} overload detection threshold		$V_{CC} - 1.5$	$V_{CC} - 1.0$	$V_{CC} - 0.5$	V
t_{Blanking}	Programmable blanking time		-20		20	%
t_{ON_MIN}	Minimum turn-on time per channel to avoid false VDS error flag at $V_{CC} = 13\text{ V}$	Bulb mode, ch0 and ch1			220	μs
		LED mode, ch0 and ch1			150	μs
		Bulb mode, ch2 and ch3			220	μs

- $Z_{thj-case} \times P = \Delta T_{PLIM}$, $Z_{th-case}$ is the thermal impedance, P is the Power.
- Parameter guaranteed by design and characterization; not subject to production test.

Table 64. Open-load detection ($7\text{V} < V_{CC} < 18\text{ V}$)

Symbol	Parameter	Test conditions	Min.	Typ.	Max.	Unit
V_{OL}	Open-load OFF-state voltage detection threshold	CHx off	$V_{CC} - 1.5$	$V_{CC} - 1.0$	$V_{CC} - 0.5$	V
I_{PU}	Pull-up current generator for open-load at OFF-state detection	Pull-up current generator active, $V_{out} = V_{CC} - 1.0\text{ V}$	-1.4	-0.75	-0.4	mA
t_{DOLOFF}	Delay time after turn off to allow open-load OFF-state detection		0.25	0.75	1.25	ms

7.4.1 BULB mode

Table 65. BULB - power section

Symbol	Parameter	Test conditions	Min.	Typ.	Max.	Unit
R _{ON_ch0,1}	ON-state resistance	I _{OUT} = 3 A; T _j = 25 °C	—	25		mΩ
		I _{OUT} = 3 A; T _j = 150 °C	—		50	mΩ
		I _{OUT} = 3 A; V _{CC} = 4 V; T _j = 25 °C	—		37.5	mΩ
R _{ON_ch2,3}	ON-state resistance	I _{OUT} = 6 A; T _j = 25 °C	—	7		mΩ
		I _{OUT} = 6 A; T _j = 150 °C	—		14	mΩ
		I _{OUT} = 6 A; V _{CC} = 4 V; T _j = 25 °C	—		10.5	mΩ

Table 66. BULB - switching (V_{CC} = 13 V; Normal switch mode)

Symbol	Parameter	Test conditions	Min.	Typ.	Max.	Unit
t _{don} ⁽¹⁾	Turn-on delay time Ch _{0,1}	From 50% CSN to 20% V _{OUT} ; R _L = 4.3 Ω	25	70	115	μs
	Turn-on delay time Ch _{2,3}	From 50% CSN to 20% V _{OUT} ; R _L = 2.2 Ω	50	100	150	μs
t _{doff} ⁽¹⁾	Turn-off delay time Ch _{0,1}	From 50% CSN to 80% V _{OUT} ; R _L = 4.3 Ω	30	45	60	μs
	Turn-off delay time Ch _{2,3}	From 50% CSN to 80% V _{OUT} ; R _L = 2.2 Ω	40	60	80	μs
t _{skew} ⁽¹⁾	Turn-off turn-on time Ch _{0,1}	From 50% CSN to 50% V _{OUT} ; R _L = 4.3 Ω	-60		40	μs
	Turn-off turn-on time Ch _{2,3}	From 50% CSN to 50% V _{OUT} ; R _L = 2.2 Ω	-85		15	μs
(dV _{OUT} /dt) _{on} ⁽¹⁾	Turn-on voltage slope Ch _{0,1}	V _{OUT} = 2.6 V to 10.4 V; R _L = 4.3 Ω	0.05	0.3	0.7	V/μs
	Turn-on voltage slope Ch _{2,3}	V _{OUT} = 2.6 V to 10.4 V; R _L = 2.2 Ω; normal switch mode	0.05	0.2	0.7	V/μs
(dV _{OUT} /dt) _{off} ⁽¹⁾	Turn-off voltage slope Ch _{0,1}	V _{OUT} = 10.4 V to 2.6 V; R _L = 4.3 Ω; normal switch mode	0.05	0.3	0.7	V/μs
	Turn-off voltage slope Ch _{2,3}	From V _{OUT} = 10.4 V to 2.6 V; R _L = 2.2 Ω; normal switch mode	0.05	0.2	0.7	V/μs
W _{ON}	Switching losses energy at turn-on Ch _{0,1}	R _L = 4.3 Ω		0.3	1 ⁽²⁾	
	Switching losses energy at turn-on Ch _{2,3}	R _L = 2.2 Ω		0.9	2 ⁽²⁾	

Table 66. BULB - switching (VCC = 13 V; Normal switch mode) (continued)

Symbol	Parameter	Test conditions	Min.	Typ.	Max.	Unit
W_{OFF}	Switching losses energy at turn-off Ch _{0,1}	$R_L = 4.3 \Omega$		0.3	1 ⁽²⁾	
	Switching losses energy at turn-off Ch _{2,3}	$R_L = 2.2 \Omega$		0.9	2 ⁽²⁾	

1. See [Figure 26: Switching characteristics](#).
2. Parameter guaranteed by design and characterization; not subject to production test.

Table 67. BULB - switching (VCC = 13 V; Fast switch mode)

Symbol	Parameter	Test conditions	Min.	Typ.	Max.	Unit
$t_{don}^{(1)}$	Turn-on delay time Ch _{0,1}	From 50% CSN to 20% V_{OUT} , $R_L = 4.3 \Omega$	25	70	115	μs
	Turn-on delay time Ch _{2,3}	From 50% CSN to 20%	50	100	150	μs
$t_{doff}^{(1)}$	Turn-off delay time Ch _{0,1}	From 50% CSN to 80% V_{OUT} , $R_L = 4.3 \Omega$	20	30	40	μs
	Turn-off delay time Ch _{2,3}	From 50% CSN to 80%	30	45	60	μs
$t_{skew}^{(1)}$	Turn-off turn-on time Ch _{0,1}	From 50% CSN to 50% V_{OUT} , $R_L = 4.3 \Omega$	-75		25	μs
	Turn-off turn-on time Ch _{2,3}	From 50% CSN to 50%	-110		-10	μs
$(dV_{OUT}/dt)_{on}^{(1)}$	Turn-on voltage slope Ch _{0,1}	$V_{OUT} = 2.6 V$ to $10.4 V$; $R_L = 4.3 \Omega$	0.05	0.4	0.9	$V/\mu s$
	Turn-on voltage slope Ch _{2,3}	$V_{OUT} = 2.6 V$ to $10.4 V$;	0.05	0.3	0.7	$V/\mu s$
$(dV_{OUT}/dt)_{off}^{(1)}$	Turn-off voltage slope Ch _{0,1}	$V_{OUT} = 10.4 V$ to $2.6 V$; $R_L = 4.3 \Omega$	0.05	0.4	0.9	$V/\mu s$
	Turn-off voltage slope Ch _{2,3}	from $V_{OUT} = 10.4 V$ to	0.05	0.35	0.7	$V/\mu s$
W_{ON}	Switching losses energy at turn-on Ch _{0,1}	$R_L = 4.3 \Omega$		0.2	1 ⁽²⁾	mJ
	Switching losses energy at turn-on Ch _{2,3}	$R_L = 2.2 \Omega$		0.8	2 ⁽²⁾	mJ
W_{OFF}	Switching losses energy at turn-off Ch _{0,1}	$R_L = 4.3 \Omega$		0.2	1 ⁽²⁾	mJ
	Switching losses energy at turn-off Ch _{2,3}	$R_L = 2.2 \Omega$		0.6	2 ⁽²⁾	mJ

1. See [Figure 26: Switching characteristics](#).
2. Parameter guaranteed by design and characterization; not subject to production test.

Table 68. BULB - protection and diagnostic

Symbol	Parameter	Test conditions	Min.	Typ.	Max.	Unit
$I_{limH_ch0,1}$	Short circuit current at $V_{CC}=13\text{ V}$	$V_{CC}=13\text{ V}$, $V_{DD}=0\text{ V}$, $V_{IN0,1}=5\text{ V}$	25	35	50	A
	Short circuit current at $5\text{ V} < V_{CC} < 18\text{ V}^{(1)}$	$V_{IN0,1}=5\text{ V}$			50	A
$I_{limL_ch0,1}$	Short circuit current during thermal cycling	$V_{CC}=13\text{ V}$, $V_{DD}=0\text{ V}$, $V_{IN0,1}=5\text{ V}$, $T_R < T_j < T_{TSD}$		11.5		A
$I_{limH_ch2,3}$	Short circuit current at $V_{CC}=13\text{ V}$	$V_{CC}=13\text{ V}$, $V_{DD}=0\text{ V}$, $V_{IN2,3}=5\text{ V}$	55	80	110	A
	Short circuit current at $5\text{ V} < V_{CC} < 18\text{ V}^{(1)}$	$V_{IN2,3}=5\text{ V}$			110	A
$I_{limL_ch2,3}$	Short circuit current during thermal cycling	$V_{CC}=13\text{ V}$, $V_{DD}=0\text{ V}$, $V_{IN2,3}=5\text{ V}$, $T_R < T_j < T_{TSD}$		26.5		A
V_{DEMAG}	Turn-off output voltage clamp; $25\text{ }^\circ\text{C} < T_j < 150\text{ }^\circ\text{C}$	$I_{OUT}=2\text{ A}$; $V_{IN0,1,2,3}=0\text{ V}$; $L=6\text{ mH}$	$V_{CC}-40$	$V_{CC}-44$	$V_{CC}-48$	V

1. Parameter guaranteed by design and characterization; not subjected to production test.

Table 69. BULB - Current sense ($7\text{ V} < V_{CC} < 18\text{ V}$, channel 0,1; $T_j = -40\text{ }^\circ\text{C}$ to $150\text{ }^\circ\text{C}$)

Symbol	Parameter	Test conditions	Min.	Typ.	Max.	Unit
K_1	I_{OUT}/I_{SENSE}	$I_{OUT}=0.4\text{ A}$; $V_{SENSE}=0.5\text{ V}$	-30%	3700	30%	
$dK_1/K^{(1)(2)}$	Current sense ratio drift	$I_{OUT}=0.4\text{ A}$; $V_{SENSE}=0.5\text{ V}$	-20		20	%
K_2	I_{OUT}/I_{SENSE}	$I_{OUT}=2\text{ A}$; $V_{SENSE}=4\text{ V}$	-15%	3700	15%	
$dK_2/K^{(1)(2)}$	Current sense ratio drift	$I_{OUT}=2\text{ A}$; $V_{SENSE}=4\text{ V}$	-10		10	%
K_3	I_{OUT}/I_{SENSE}	$I_{OUT}=6\text{ A}$; $V_{SENSE}=4\text{ V}$	-10%	3700	10%	
$dK_3/K^{(1)(2)}$	Current sense ratio drift	$I_{OUT}=6\text{ A}$; $V_{SENSE}=4\text{ V}$	-8		8	%
I_{SENSE0}	Analog sense current	Current sense disabled; $V_{SENSE}=0\text{ V}$; $I_{OUTx}=0\text{ A}$ All channels are OFF	0		1	μA
		Current sense Enabled; $V_{SENSE}=0\text{ V}$; $I_{OUTx}=0\text{ A}$; $V_{INx}=5\text{ V}$; others Channels ON in Bulb Mode at their load nominal current e.g. Ch0: $V_{IN0}=5\text{ V}$; $V_{IN1,2,3}=5\text{ V}$; $I_{OUT0}=0\text{ A}$; $I_{OUT1}=2\text{ A}$; $I_{OUT2,3}=6\text{ A}$	0		15	μA
		Current sense disabled; $V_{INx}=5\text{ V}$ $-1\text{ V} < V_{SENSE} < 5\text{ V}^{(2)}$	-0.5		0.5	μA

Table 69. BULB - Current sense (7 V < VCC < 18 V, channel 0,1; Tj = -40 °C to 150 °C) (continued)

Symbol	Parameter	Test conditions	Min.	Typ.	Max.	Unit
$t_{DSENSE1H}^{(3)}$	Delay response time from rising edge of CSN pin (turn-on of the channel)	Normal switch mode; $V_{SENSE} < 4$ V, $R_{SENSE} = 2$ k Ω ; $I_{SENSE} = 90\%$ of $I_{SENSEmax}$ (see Figure 25: Current sense delay characteristics)		150	400	μ s
$t_{DSENSE1L}^{(3)}$	Delay response time from rising edge of CSN pin (turn-off of the channel)	Normal switch mode; $V_{SENSE} < 4$ V, $R_{SENSE} = 2$ k Ω ; $I_{SENSE} = 10\%$ of $I_{SENSEmax}$ (see Figure 25: Current sense delay characteristics)		50	250	μ s
$t_{DSENSE2H}^{(3)}$	Delay response time from current sense MUX enable	Bit3 of CSMUXCR register (MUXEN) from 0 to 1; $R_{SENSE} = 2$ k Ω ; $R_L = 4.3$ Ω		20	40	μ s
$t_{DSENSE2L}^{(3)}$	Delay response time from current sense MUX disable	Bit3 of CSMUXCR register (MUXEN) from 1 to 0; $R_{SENSE} = 2$ k Ω ; $R_L = 4.3$ Ω		5	20	μ s
t_{D_XtoY}	Current sense transition delay from ChX to ChY				100	μ s
V_{SENSE_CL}	Current sense clamp voltage	$I_{SENSE} = 1$ mA	8	9	10	V
		$I_{SENSE} = -1$ mA	-10	-9	-8	V
V_{SENSE_SAT}	Current sense saturation voltage	$V_{CC} = 7$ V; $R_{SENSE} = 2.7$ k Ω ; $V_{IN0,1} = 5$ V; $I_{OUT0,1} = 12$ A; $T_j = -40^\circ$ C	4.8			V
$I_{SENSE_SAT}^{(2)}$	Current sense saturation current	$V_{CC} = 7$ V; $V_{SENSE} = 4$ V; $V_{IN0,1} = 5$ V; $T_j = 150^\circ$ C	4			mA
$I_{OUT_SAT_B}^{(2)}$	Output saturation current in BULB mode	$V_{CC} = 7$ V; $V_{SENSE} = 4$ V; $V_{IN0,1} = 5$ V; $T_j = 150^\circ$ C	15			A

1. All values refer to $V_{CC} = 13$ V; $T_j = 25^\circ$ C, unless otherwise specified.
2. Parameter guaranteed by design and characterization; not subjected to production test.
3. Transition delays are measured up to $\pm 10\%$ of final conditions.

Table 70. BULB - Current sense (7 V < VCC < 18 V, channel 2,3; Tj = -40 °C to 150 °C)

Symbol	Parameter	Test conditions	Min.	Typ.	Max.	Unit
K_1	I_{OUT}/I_{SENSE}	$I_{OUT} = 450$ mA; $V_{SENSE} = 0.5$ V	-50%	10600	50%	
$dK_1/K^{(1)(2)}$	Current sense ratio drift	$I_{OUT} = 450$ mA; $V_{SENSE} = 0.5$ V	-30		30	%
K_2	I_{OUT}/I_{SENSE}	$I_{OUT} = 6$ A; $V_{SENSE} = 4$ V	-11%	10600	11%	
$dK_2/K_2^{(1)(2)}$	Current sense ratio drift	$I_{OUT} = 6$ A; $V_{SENSE} = 4$ V	-9		9	%
K_3	I_{SENSE}/I_{SENSE}	$I_{SENSE} = 18$ A; $V_{SENSE} = 4$ V	-10%	10600	10%	

Table 70. BULB - Current sense ($7\text{ V} < V_{CC} < 18\text{ V}$, channel 2,3; $T_j = -40\text{ }^\circ\text{C}$ to $150\text{ }^\circ\text{C}$) (continued)

Symbol	Parameter	Test conditions	Min.	Typ.	Max.	Unit
$dK_3/K_3^{(1)(2)}$	Current sense ratio drift	$I_{OUT} = 18\text{ A}$; $V_{SENSE} = 4\text{ V}$	-8		8	%
I_{SENSE0}	Analog sense current	Current sense disabled; $V_{SENSE} = 0\text{ V}$; $I_{OUTx} = 0\text{ A}$; All channels are OFF	0		1	μA
		Current sense Enabled; $V_{SENSE} = 0\text{ V}$; $I_{OUTx} = 0\text{ A}$; $V_{INx} = 5\text{ V}$; other channels ON in Bulb Mode at their load nominal current e.g. Ch2: $V_{IN2} = 5\text{ V}$; $V_{IN0,1,3} = 5\text{ V}$; $I_{OUT2} = 0\text{ A}$; $I_{OUT0,1} = 2\text{ A}$; $I_{OUT3} = 6\text{ A}$	0		15	μA
		Current sense disabled; $V_{INx} = 5\text{ V}$; $-1\text{ V} < V_{SENSE} < 5\text{ V}^{(2)}$	-0.5		0.5	μA
$t_{DSENSE1H}^{(3)}$	Delay response time from rising edge of CSN pin (turn-on of the channel)	Normal switch mode; $V_{SENSE} < 4\text{ V}$, $R_{SENSE} = 2\text{ k}\Omega$; $I_{SENSE} = 90\%$ of $I_{SENSEmax}$ (see Figure 25: Current sense delay characteristics)		250	400	μs
$t_{DSENSE1L}^{(3)}$	Delay response time from rising edge of CSN pin (turn-off of the channel)	Normal switch mode; $V_{SENSE} < 4\text{ V}$, $R_{SENSE} = 2\text{ k}\Omega$;; $I_{SENSE} = 10\%$ of $I_{SENSEmax}$ (see Figure 25: Current sense delay characteristics)		50	250	μs
$t_{DSENSE2}^{(3)}$	Delay response time from current sense MUX enable	Bit3 of CSMUXCR register (MUXEN) from 0 to 1; $R_{SENSE} = 2\text{ k}\Omega$; $R_L = 2.2\ \Omega$		20	100	μs
$t_{DSENSE2L}^{(3)}$	Delay response time from current sense MUX disable	Bit3 of CSMUXCR register (MUXEN) from 1 to 0; $R_{SENSE} = 2\text{ k}\Omega$; $R_L = 2.2\ \Omega$		5	20	μs
t_{D_XtoY}	Current sense transition delay from ChX to ChY				100	μs
V_{SENSE_CL}	Current sense clamp voltage	$I_{SENSE} = 1\text{ mA}$	8	9	10	V
		$I_{SENSE} = -1\text{ mA}$	-10	-9	-8	V
V_{SENSE_SAT}	Current sense saturation voltage	$V_{CC} = 7\text{ V}$; $R_{SENSE} = 2.7\text{ k}\Omega$; $V_{IN2,3} = 5\text{ V}$; $I_{OUT2,3} = 36\text{ A}$; $T_j = -40^\circ\text{C}$	4.8			V

Table 70. BULB - Current sense (7 V < V_{CC} < 18 V, channel 2,3; T_j = -40 °C to 150 °C) (continued)

Symbol	Parameter	Test conditions	Min.	Typ.	Max.	Unit
I _{SENSE_SAT} ⁽²⁾	Current sense saturation current	V _{CC} = 7 V; V _{SENSE} = 4 V; V _{IN2,3} = 5 V; T _j = 150 °C	4			mA
I _{OUT_SAT_BULB} ⁽²⁾	Output saturation current in BULB mode	V _{CC} = 7 V; V _{SENSE} = 4 V; V _{IN2,3} = 5 V; T _j = 150 °C	42			A

1. All values refer to V_{CC} = 13 V; T_j = 25 °C, unless otherwise specified.
2. Parameter guaranteed by design and characterization; not subjected to production test.
3. Transition delays are measured up to ±10% of final conditions.

7.4.2 LED mode (Channel 0, 1)

7 V < V_{CC} < 18 V; -40 °C < T_j < 150 °C, unless otherwise specified.

Table 71. LED - power section

Symbol	Parameter	Test conditions	Min.	Typ.	Max.	Unit
R _{ON} Ch _{0,1}	ON-state resistance	I _{OUT} = 1.3 A; T _j = 25 °C	—	60		mΩ
		I _{OUT} = 1.3 A; T _j = 150 °C	—		120	mΩ
		I _{OUT} = 1.3 A; V _{CC} = 4 V; T _j = 25 °C	—		90	mΩ

Table 72. LED - switching (V_{CC} = 13 V; Normal switch mode)

Symbol	Parameter	Test conditions	Min.	Typ.	Max.	Unit
t _{don} ⁽¹⁾	Turn-on delay time	From 50% CSN to 20% V _{OUT} R _L = 13 Ω	20	60	100	μs
t _{doff} ⁽¹⁾	Turn-off delay time	From 50% CSN to 80% V _{OUT} R _L = 13 Ω	25	40	55	μs
t _{skew} ⁽¹⁾	Turn-off, turn-on time	From 50% CSN to 50% V _{OUT} ; R _L = 13 Ω	-60		40	μs
(dV _{OUT} /dt) ⁽¹⁾	Turn-on voltage slope	V _{OUT} = 2.6 V to 10.4 V R _L = 13 Ω	0.05	0.2	0.7	V/μs
(dV _{OUT} /dt) _{off} ⁽¹⁾	Turn-off voltage slope	From V _{OUT} = 10.4 V to 2.6 V R _L = 13 Ω	0.05	0.3	0.7	V/μs
W _{ON}	Switching losses energy at turn-on	R _L = 13 Ω		0.1	1 ⁽²⁾	mJ
W _{OFF}	Switching losses energy at turn-off	R _L = 13 Ω		0.1	1 ⁽²⁾	mJ

1. See [Figure 26: Switching characteristics](#).
2. Parameter guaranteed by design and characterization; not subjected to production test.

Table 73. LED - switching (VCC = 13 V; Fast switch mode)

Symbol	Parameter	Test conditions	Min.	Typ.	Max.	Unit
$t_{don}^{(1)}$	Turn-on delay time	From 50% CSN to 20% V_{OUT} $R_L = 13 \Omega$	20	60	100	μs
$t_{doff}^{(1)}$	Turn-off delay time	From 50% CSN to 80% V_{OUT} $R_L = 13 \Omega$	15	25	35	μs
$t_{skew}^{(1)}$	Turn-off, turn-on time	From 50% CSN to 50% V_{OUT} $R_L = 13 \Omega$	-70		30	μs
$(dV_{OUT}/dt)_{on}^{(1)}$	Turn-on voltage slope	$V_{OUT} = 2.6 V$ to $10.4 V$ $R_L = 13 \Omega$	0.05	0.6	1	$V/\mu s$
$(dV_{OUT}/dt)_{off}^{(1)}$	Turn-off voltage slope	From $V_{OUT} = 10.4 V$ to $2.6 V$ $R_L = 13 \Omega$	0.05	0.6	1	$V/\mu s$
W_{ON}	Switching losses energy at turn-on	$R_L = 13 \Omega$		0.06	1 ⁽²⁾	mJ
W_{OFF}	Switching losses energy at turn-off	$R_L = 13 \Omega$		0.06	1 ⁽²⁾	mJ

1. See [Figure 26: Switching characteristics](#).
2. Parameter guaranteed by design and characterization; not subjected to production test.

Table 74. LED - protection and diagnosis

Symbol	Parameter	Test conditions	Min.	Typ.	Max	Unit
$I_{limH_ch0,1}$	Short circuit current at $V_{CC} = 13 V$	$V_{CC} = 13 V, V_{DD} = 0 V,$ $V_{IN0,1} = 5 V$	7	12	18	A
	Short circuit current at $5V < V_{CC} < 18 V$ ⁽¹⁾	$V_{IN0,1} = 5 V$			18	A
$I_{limL_ch0,1}$	Short circuit current during thermal cycling	$V_{CC} = 13 V, V_{DD} = 0 V,$ $V_{IN0,1} = 5 V, T_R < T_J < T_{TSD}$		4		A

1. Parameter guaranteed by design and characterization; not subjected to production test.

Table 75. LED - Current sense (7 V < VCC < 18 V; Tj = -40 °C to 150 °C)

Symbol	Parameter	Test conditions	Min.	Typ.	Max.	Unit
K_0	I_{OUT}/I_{SENSE}	$I_{OUT} = 10 mA; V_{SENSE} = 0.5 V$	-60%	1400	60%	
dK_0/K_0 ^{(1) (2)}	Current sense ratio drift	$I_{OUT} = 10 mA; V_{SENSE} = 0.5 V$	-50		50	%
K_1	I_{OUT}/I_{SENSE}	$I_{OUT} = 50 mA; V_{SENSE} = 0.5 V$	-50%	1400	50%	
dK_1/K_1 ^{(1) (2)}	Current sense ratio drift	$I_{OUT} = 50 mA; V_{SENSE} = 0.5 V$	-30		30	%
K_2	I_{OUT}/I_{SENSE}	$I_{OUT} = 0.3 A; V_{SENSE} = 4 V$	-20%	1400	20%	
dK_2/K_2 ^{(1) (2)}	Current sense ratio drift	$I_{OUT} = 0.3 A; V_{SENSE} = 4 V$	-13		13	%

Table 75. LED - Current sense ($7\text{ V} < V_{CC} < 18\text{ V}$; $T_j = -40\text{ }^\circ\text{C}$ to $150\text{ }^\circ\text{C}$) (continued)

Symbol	Parameter	Test conditions	Min.	Typ.	Max.	Unit
I_{SENSE0}	Analog sense current	Current Sense disabled; $V_{\text{SENSE}} = 0\text{ V}$; $I_{\text{OUTx}} = 0\text{ A}$; All channels are OFF	0		1	μA
		Current Sense Enabled; $V_{\text{SENSE}} = 0\text{ V}$; $I_{\text{OUTx}} = 0\text{ A}$; $V_{\text{INx}} = 5\text{ V}$; other channels ON in Bulb Mode at their load nominal current e.g. Ch0: $V_{\text{IN0}} = 5\text{ V}$; $V_{\text{IN1,2,3}} = 5\text{ V}$; $I_{\text{OUT0}} = 0\text{ A}$; $I_{\text{OUT1}} = 2\text{ A}$; $I_{\text{OUT2,3}} = 6\text{ A}$	0		10	μA
		Current sense disabled; $V_{\text{INx}} = 5\text{ V}$ ⁽²⁾ ; $-1\text{ V} < V_{\text{SENSE}} < 5$	-0.5		0.5	μA
t_{DSENSE1H} ⁽³⁾	Delay response time from rising edge of CSN pin (turn-on of the channel)	$V_{\text{SENSE}} < 4\text{ V}$, $R_{\text{SENSE}} = 2\text{ k}\Omega$; $I_{\text{SENSE}} = 90\%$ of I_{SENSEmax} (see Figure 25: Current sense delay characteristics)		150	250	μs
t_{DSENSE1L} ⁽³⁾	Delay response time from rising edge of CSN pin (turn-off of the channel)	$V_{\text{SENSE}} < 4\text{ V}$, $R_{\text{SENSE}} = 2\text{ k}\Omega$; $I_{\text{SENSE}} = 10\%$ of I_{SENSEmax} (see Figure 25: Current sense delay characteristics)		50	120	μs
t_{DSENSE2H} ⁽³⁾	Delay response time from current sense MUX enable	Bit3 of CSMUXCR register (MUXEN) from 0 to 1; $R_{\text{SENSE}} = 2\text{ k}\Omega$; $R_L = 13\text{ }\Omega$		20	100	μs
t_{DSENSE2L} ⁽³⁾	Delay response time from current sense MUX disable	Bit3 of CSMUXCR register (MUXEN) from 1 to 0; $R_{\text{SENSE}} = 2\text{ k}\Omega$; $R_L = 13\text{ }\Omega$		5	20	μs
$t_{\text{D}_X\text{toY}}$	Current sense transition delay from ChX to ChY				100	μs
$V_{\text{SENSE_CL}}$	Current sense clamp voltage	$I_{\text{SENSE}} = 1\text{ mA}$	8	9	10	V
		$I_{\text{SENSE}} = -1\text{ mA}$	-10	-9	-8	V
$V_{\text{SENSE_SAT}}$	Current sense saturation voltage	$V_{\text{CC}} = 7\text{ V}$; $R_{\text{SENSE}} = 2.7\text{ k}\Omega$; $V_{\text{IN0,1}} = 5\text{ V}$; $I_{\text{OUT0,1}} = 4\text{ A}$; $T_j = -40\text{ }^\circ\text{C}$	4.8			V
$I_{\text{SENSE_SAT}}$ ⁽²⁾	Current sense saturation current	$V_{\text{CC}} = 7\text{ V}$; $V_{\text{SENSE}} = 4\text{ V}$; $V_{\text{IN0,1}} = 5\text{ V}$; $T_j = 150\text{ }^\circ\text{C}$	4			mA
$I_{\text{OUT_SAT_LED}}$ ⁽²⁾	Output saturation current in LED mode	$V_{\text{CC}} = 7\text{ V}$; $V_{\text{SENSE}} = 4\text{ V}$; $V_{\text{IN0,1}} = 5\text{ V}$; $T_j = 150\text{ }^\circ\text{C}$	6			A

- All values refer to $V_{\text{CC}} = 13\text{ V}$; $T_j = 25\text{ }^\circ\text{C}$, unless otherwise specified.
- Parameter guaranteed by design and characterization; not subjected to production test.
- Transition delays are measured up to $\pm 10\%$ of final conditions.

Figure 25. Current sense delay characteristics

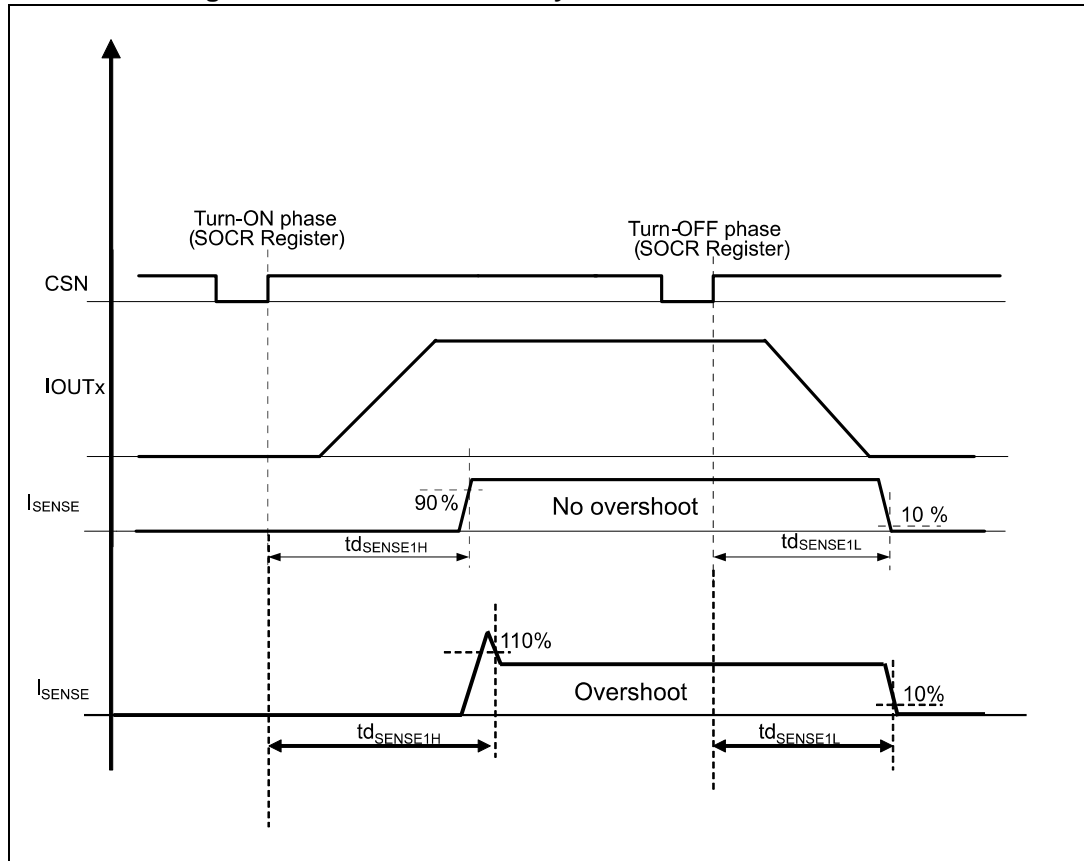
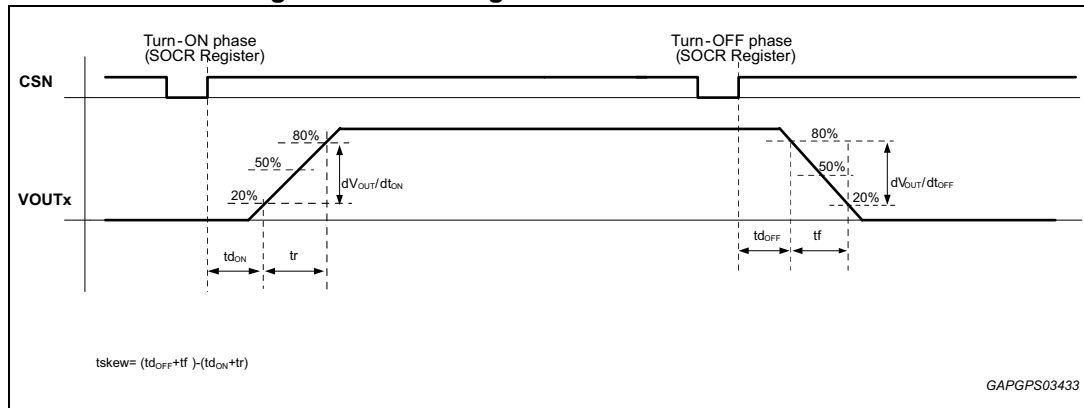


Figure 26. Switching characteristics



8 ISO Pulse

The immunity of the device against transient electrical emissions, conducted along the supply lines and injected into the V_{CC} pin, is tested in accordance with ISO7637-2:2011(E) and ISO 16750-2:2010.

The related function performances status classification is shown in the [Table 76: ISO 7637-2 - electrical transient conduction along supply line](#).

Test pulses are applied directly to DUT (Device Under Test) both in ON and OFF-state and in accordance to ISO 7637-2:2011(E), chapter 4. The DUT is intended as the present device only, with external components as shown in [Figure 27: M0-7 SPI Standard connection SPI only](#) and [Figure 28: M0-7 SPI standard, full connection](#).

“Status II” is defined in ISO 7637-1 Function Performed Status Classification (FPSC) as follows: “The function does not perform as designed during the test but returns automatically to normal operation after the test”.

Table 76. ISO 7637-2 - electrical transient conduction along supply line

Test Pulse 2011(E)	Test pulse severity level with Status II functional performance status		Minimum number of pulses or test time	Burst cycle / pulse repetition time		Pulse duration and pulse generator internal Impedance
	Level	US ⁽¹⁾				
1 ⁽²⁾	III	-112 V	500 pulses	0.5 s	5 s	2 ms, 10 Ω
2a ⁽³⁾	IV	+112 V	500 pulses	0.2 s	5 s	50 μs, 2 Ω
3a ⁽²⁾	IV	-220 V	1 h	90 ms	100 ms	0.1 μs, 50 Ω
3b	IV	+150 V	1 h	90 ms	100 ms	0.1 μs, 50 Ω
4 ⁽⁴⁾	IV	-7 V	1 pulse			100 ms, 0.01 Ω
Load dump according to ISO 16750-2:2010						
Test B ⁽³⁾		40 V	5 pulse	1 min		400 ms, 2 Ω

1. Us is the peak amplitude as defined for each test pulse in ISO 7637-2:2011(E), Chapter 5.6.
2. Device goes in reset state and must be reinitialized.
3. With 38V external suppressor referred to ground (-40 °C < T_j < 150 °C).
4. Test pulse in ISO 7637-2:2004(E).

9 Application schematics

Figure 27. M0-7 SPI Standard connection SPI only

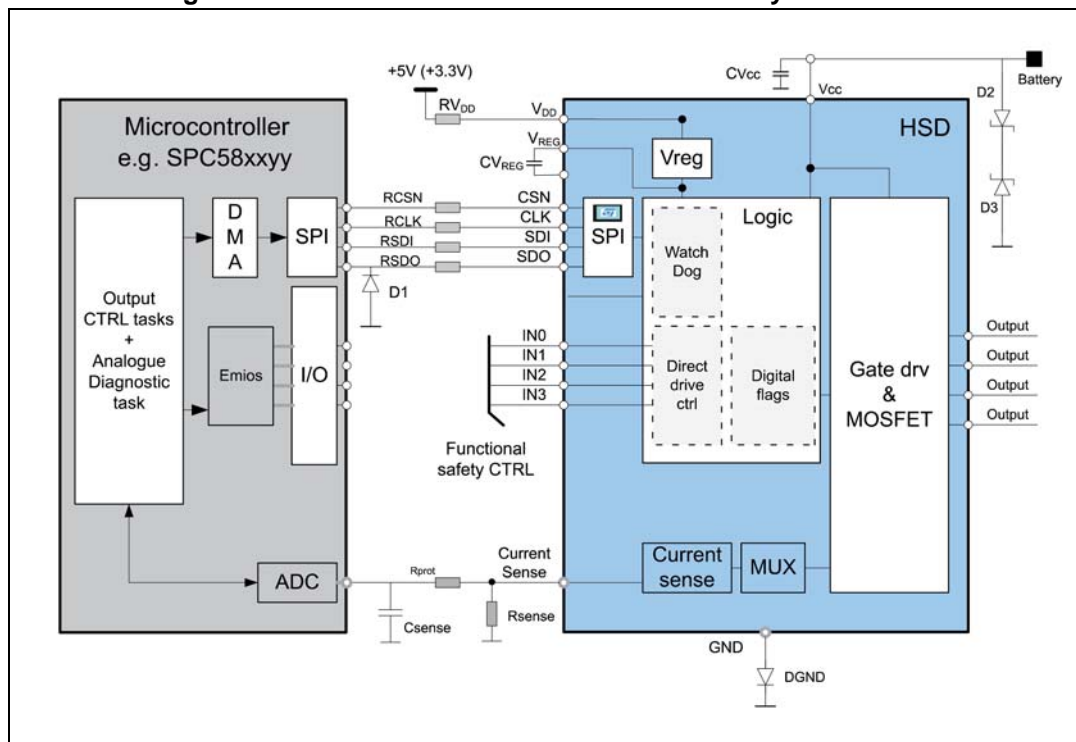


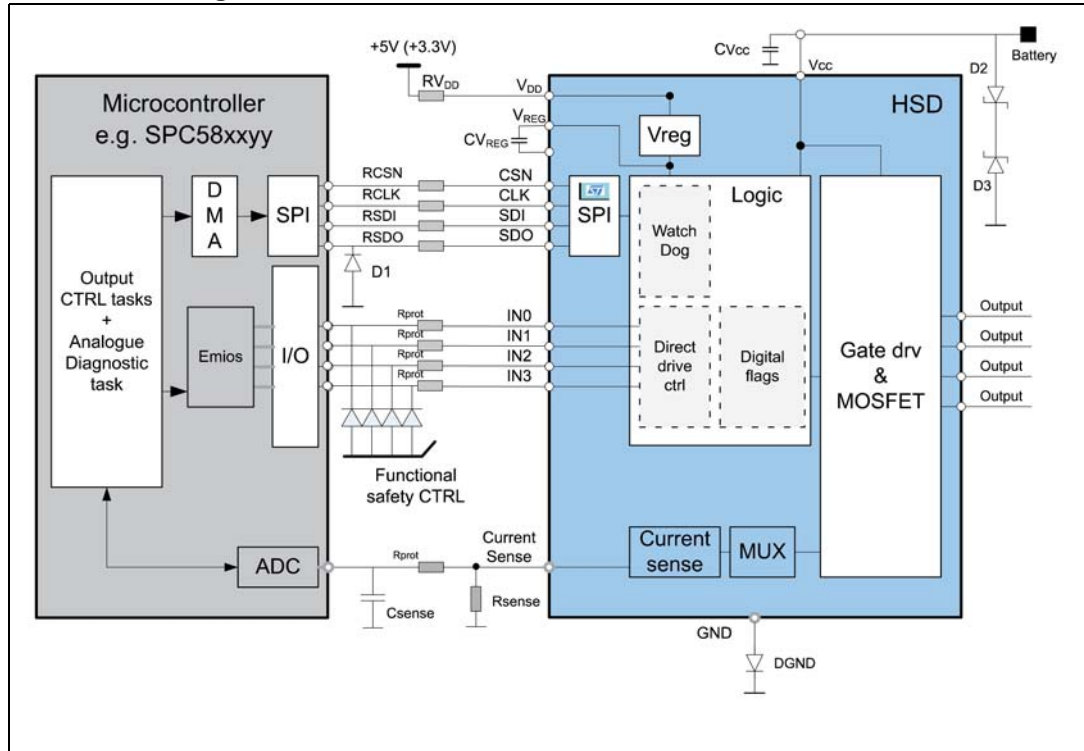
Table 77. Component values

Reference	Value	comment
R_{VDD}	330 Ω	Device logic protection
C_{VREG}	100 nF	Optional for EMI reduction- Low ESR, mount close to IC
C_{VCC}	100 nF	Battery voltage spikes filtering mounted close to IC
RCSN	2.7 k Ω	Microcontroller protection during overvoltage and reverse polarity
RCLK	2.7 k Ω	Microcontroller protection during overvoltage and reverse polarity
RSDI	2.7 k Ω	Microcontroller protection during overvoltage and reverse polarity
RSDO	220 Ω	Microcontroller protection during overvoltage and reverse polarity
D1	Schottky (i.e. BAT54-Y)	Microcontroller protection during overvoltage and reverse polarity
R_{PROT}	15K Ω	Microcontroller protection during: overvoltage, reverse polarity and loss of GND
R_{SENSE}	1K Ω	Sensing resistor

Table 77. Component values (continued)

Reference	Value	comment
Csense	470 pF	Microcontroller ADC spikes filter
D2	Suppressor 20 V	Negative transient protection.
D3	Suppressor 36 V	Overvoltage protection.
DGND	BAS21 for $V_{DD} = 5V$ Schottky (i.e., BAT54-Y) for $V_{DD} = 3.3V$	Reverse polarity protection. Usage of schottky or standard diode dependent on V_{DD}

Figure 28. M0-7 SPI standard, full connection



10 Package and PCB thermal data

10.1 PowerSSO-36 thermal data

Figure 29. PowerSSO-36 PC board

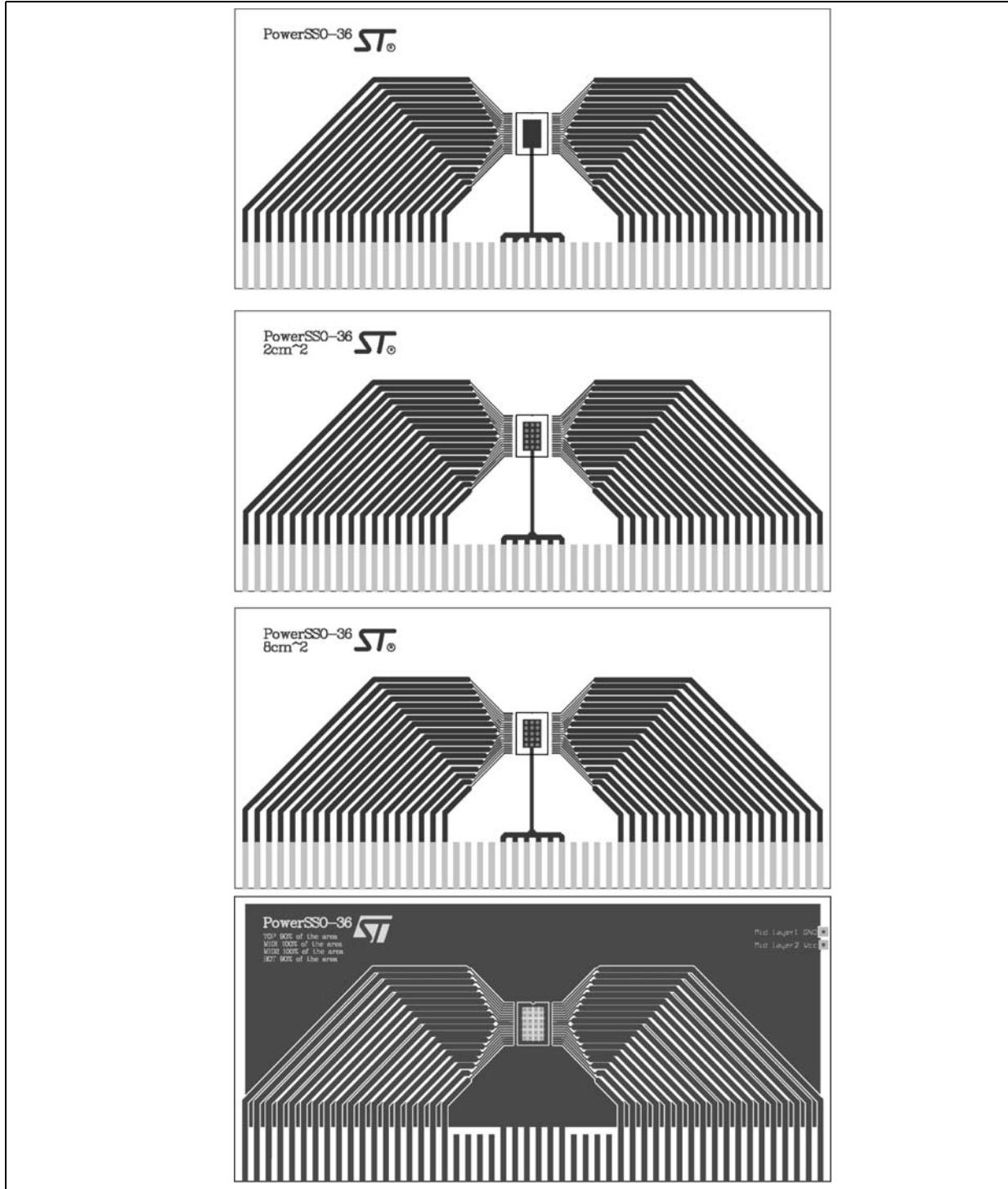


Table 78. PCB properties

Dimension	Value
Board finish thickness	1.6 mm +/- 10%
Board dimension	129 mm x 60 mm
Board Material	FR4
Copper thickness (top and bottom layers)	0.070 mm
Copper thickness (inner layers)	0.035 mm
Thermal vias separation	1.2 mm
Thermal via diameter	0.3 mm +/- 0.08 mm
Copper thickness on vias	0.025 mm
Footprint dimension (top layer)	4.1 mm x 6.5 mm
Heatsink copper area dimension (bottom layer)	Footprint, 2 cm ² or 8 cm ²

Figure 30. Rthj-amb vs PCB copper area in open box free air conditions

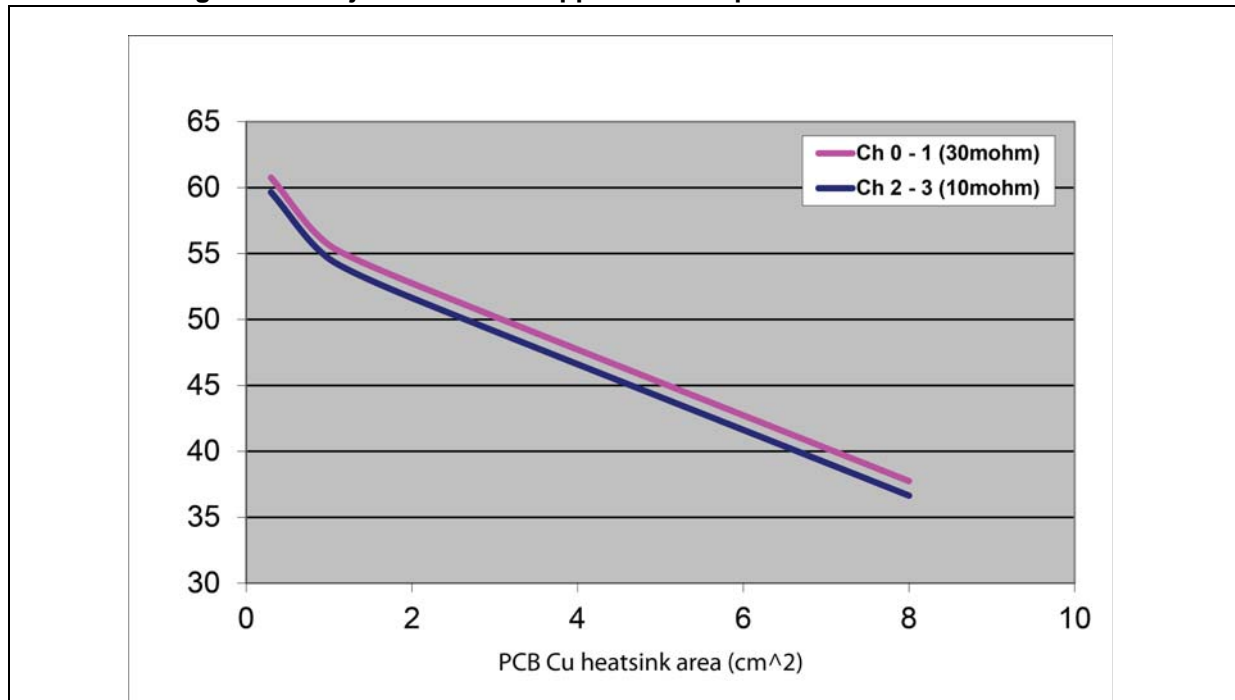
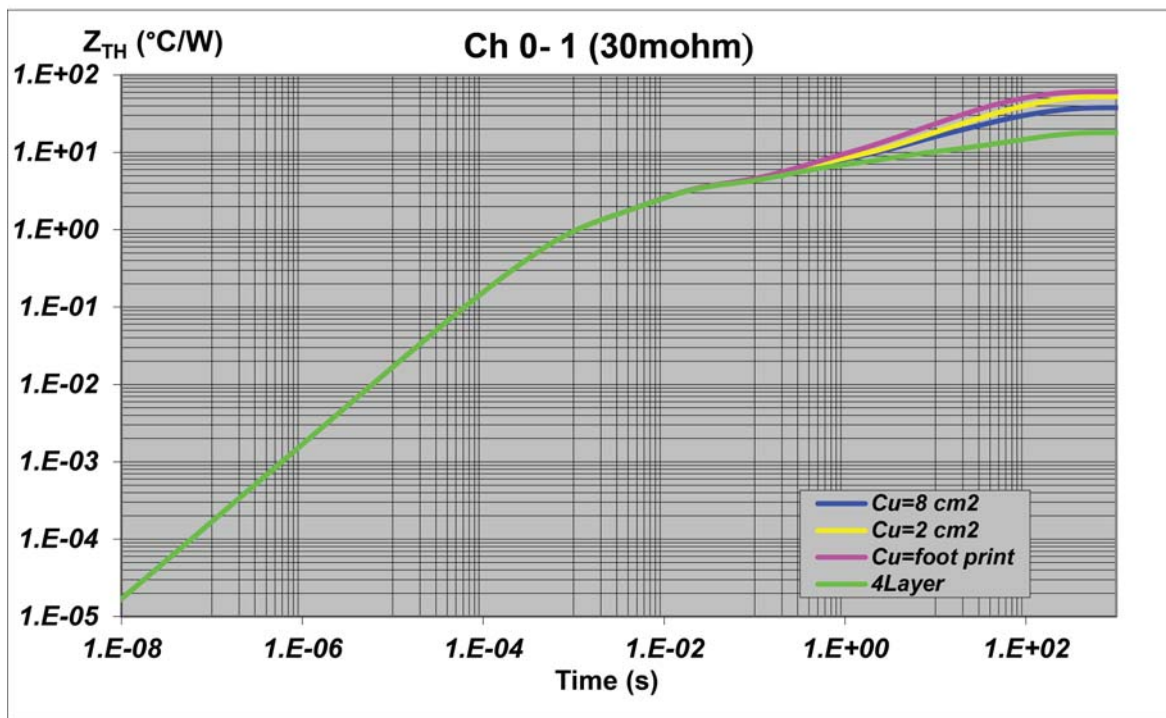
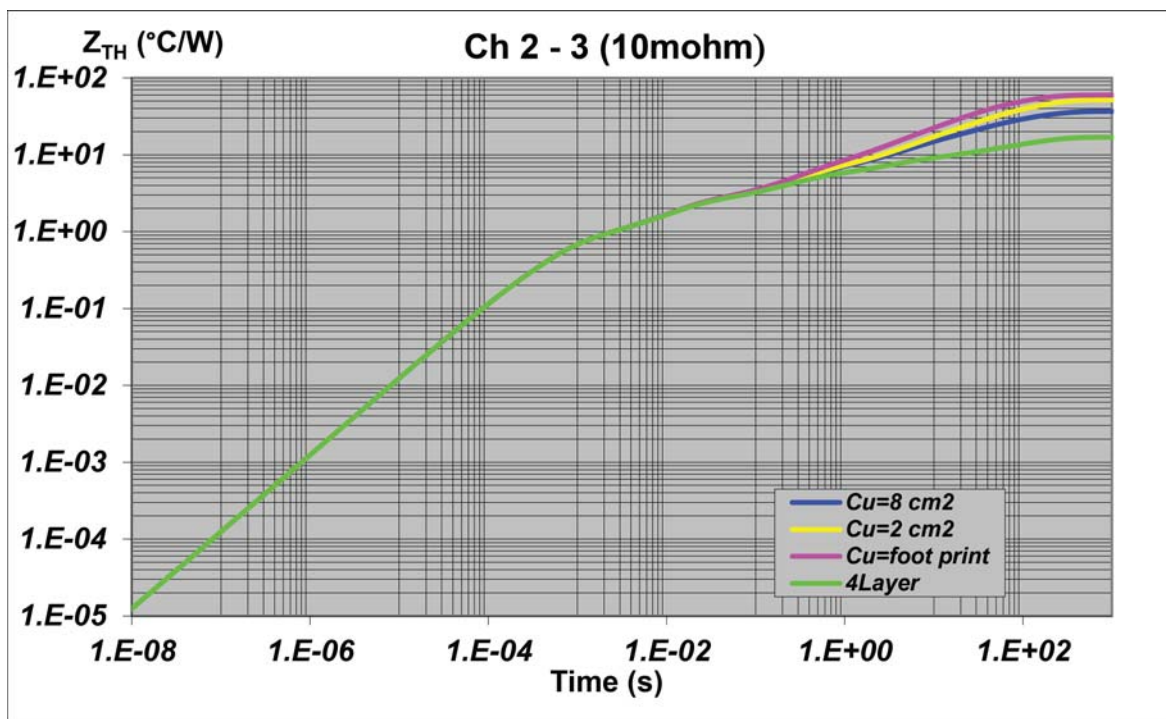


Figure 31. PowerSSO-36 thermal impedance junction ambient single pulse

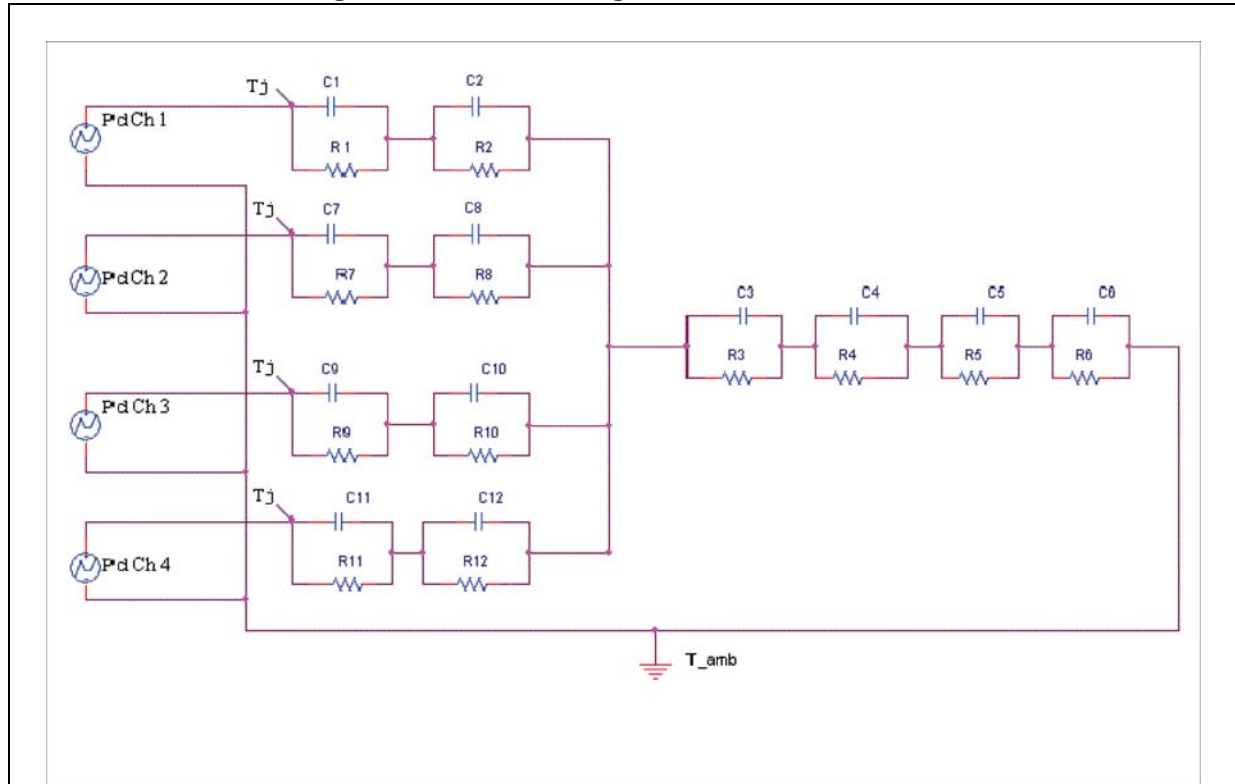


Equation 1

$$Z_{TH\delta} = R_{TH} \cdot \delta + Z_{THtp} (1 - \delta)$$

where $\delta = t_p/T$

Figure 32. Thermal fitting model for PowerSSO-36



Note: The fitting model is a simplified thermal tool and is valid for transient evolutions where the embedded protections (power limitation or thermal cycling during thermal shutdown) are not triggered.

Table 79. Thermal parameters

Area/island (cm ²)	FP	2	8	4L
R1 = R7 (°C/W)	0.9			
R2 = R8 (°C/W)	2.5			
R3 (°C/W)	3.4	3.4	3.4	2.6
R4 (°C/W)	6	6	6	3
R5 (°C/W)	18	14	10	2
R6 (°C/W)	30	26	15	7
R7 (°C/W)	0.9			
R8 (°C/W)	2.5			
R9 (°C/W)	0.7			
R10 (°C/W)	1.6			

Table 79. Thermal parameters (continued)

Area/island (cm ²)	FP	2	8	4L
R11 (°C/W)	0.7			
R12 (°C/W)	1.6			
C1 (W·s/°C)	0.0007			
C2 (W·s/°C)	0.004			
C3 (W·s/°C)	0.1			
C4 (W·s/°C)	0.5	0.8	0.8	1
C5 (W·s/°C)	1	2	3	10
C6 (W·s/°C)	3	5	9	18
C7 (W·s/°C)	0.0007			
C8 (W·s/°C)	0.004			
C9 (W·s/°C)	0.0009			
C10 (W·s/°C)	0.008			
C11 (W·s/°C)	0.0009			
C12 (W·s/°C)	0.008			

11 Maximum demagnetization energy (VCC = 16 V)

Figure 33. Maximum turn off current versus inductance - Channel 0,1

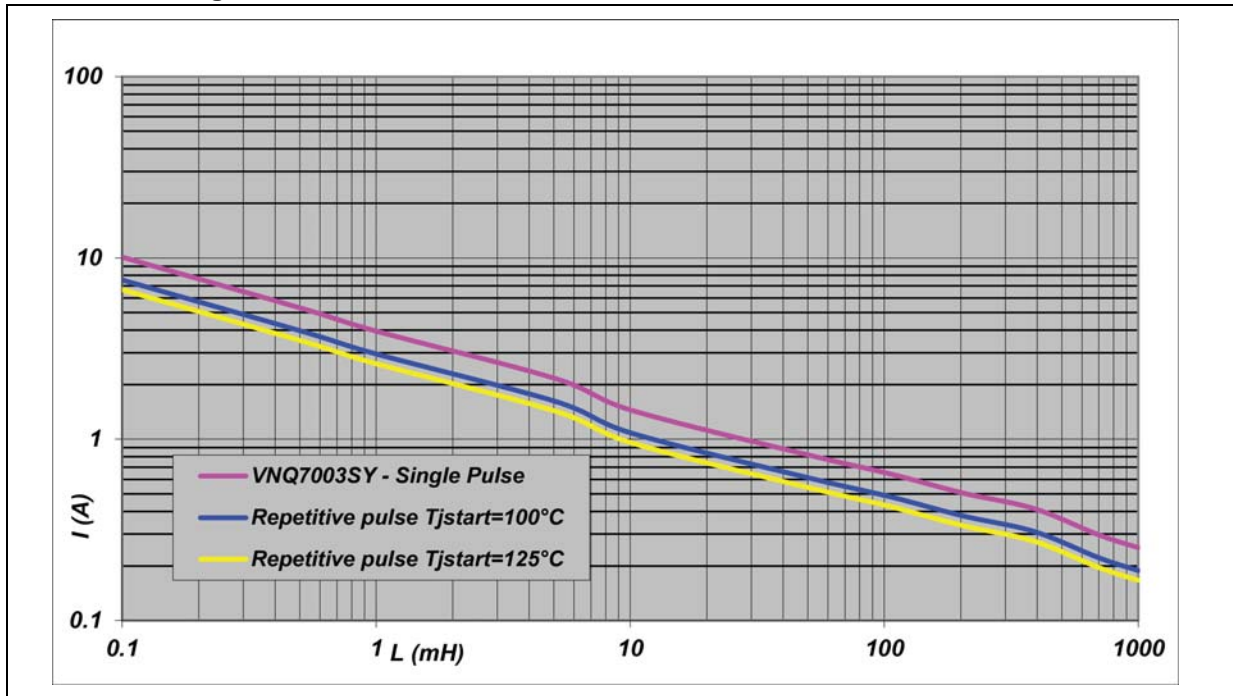
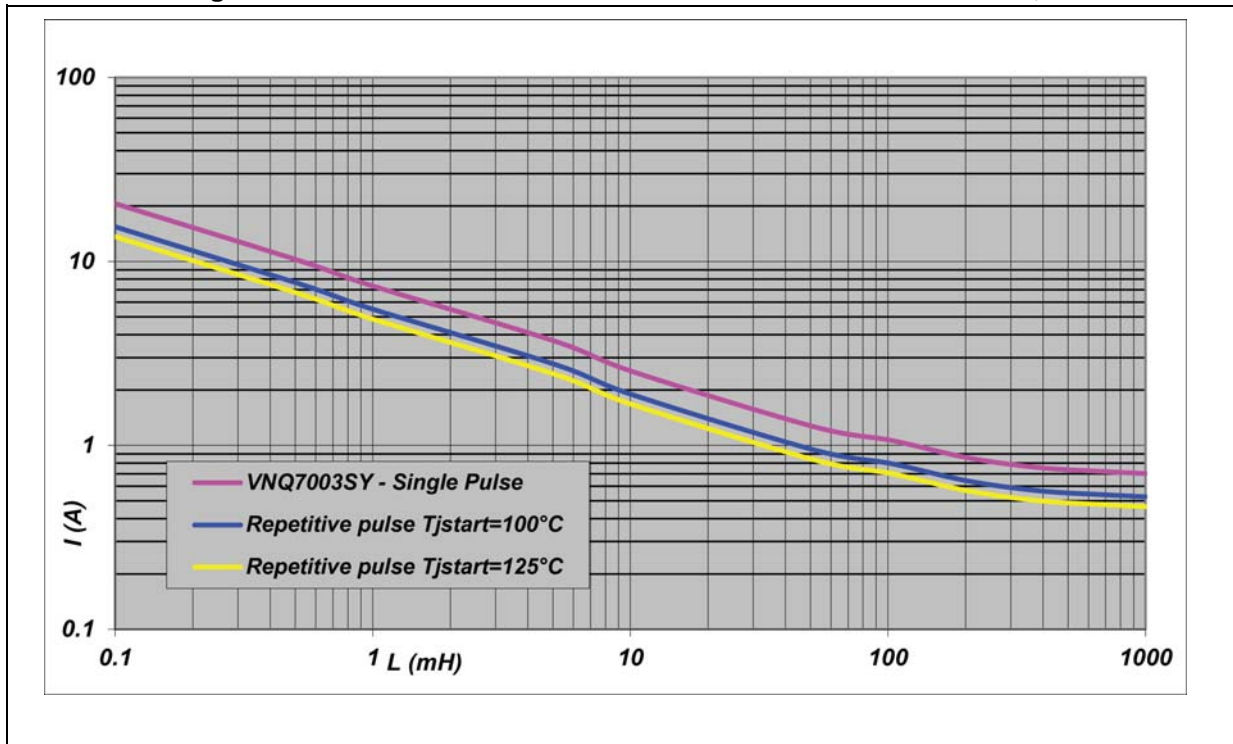


Figure 34. Maximum turn off current versus inductance - Channel 2,3



*Note: Values are generated with $RL = 0 \Omega$.
In case of repetitive pulses, T_{jstart} (at the beginning of each demagnetization) of every pulse must not exceed the temperature specified above for curves A and B.*

12 Package information

In order to meet environmental requirements, ST offers these devices in different grades of ECOPACK® packages, depending on their level of environmental compliance. ECOPACK® specifications, grade definitions and product status are available at: www.st.com.

ECOPACK® is an ST trademark.

12.1 PowerSSO-36 package information

Figure 35. PowerSSO-36 package outline

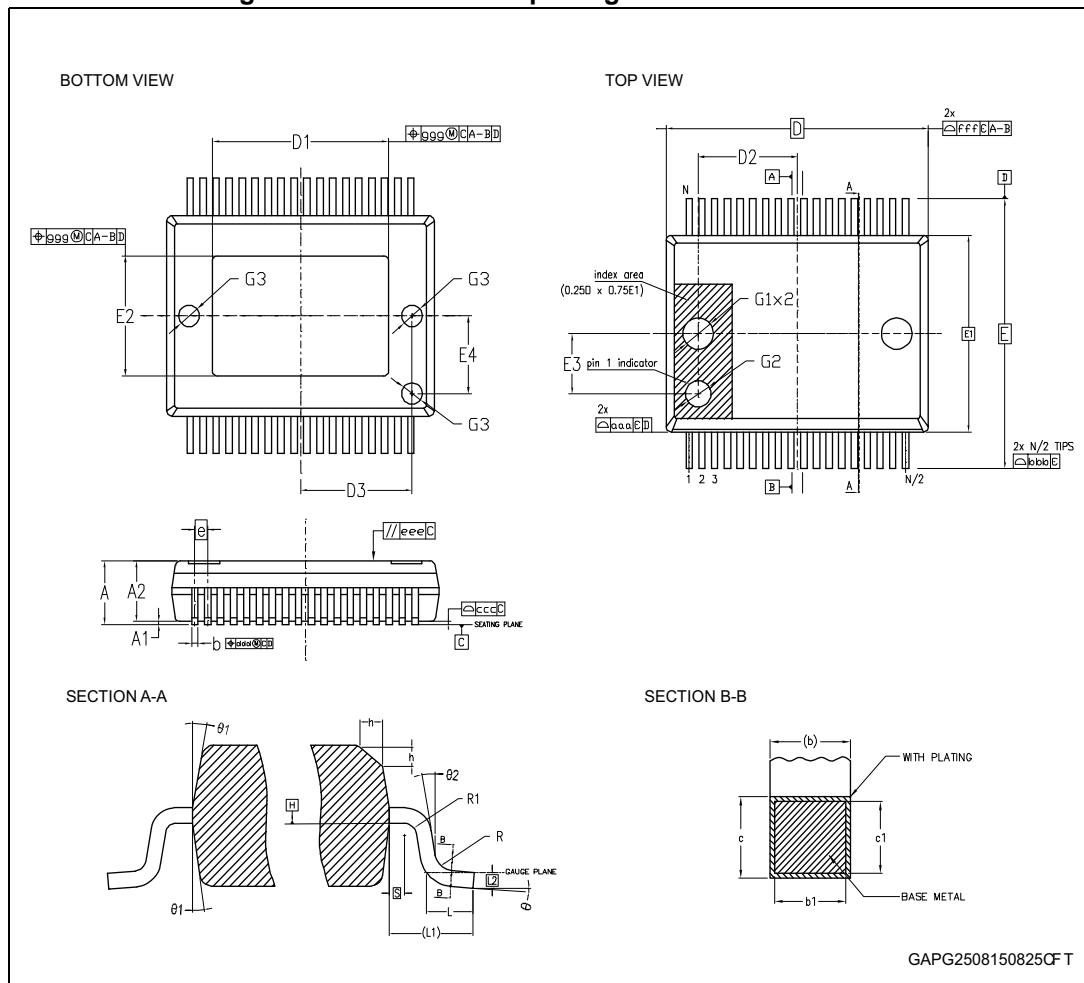


Table 80. PowerSSO-36 mechanical data

Ref.	Dimensions		
	Millimeters		
	Min.	Typ.	Max.
Θ	0°		8°
Θ1	5°		10°
Θ2	0°		
A	2.15		2.45
A1	0.00		0.10
A2	2.15		2.35
b	0.18		0.32
b1	0.13	0.25	0.30
c	0.23		0.32
c1	0.20	0.20	0.30
D	10.30 BSC		
D1	6.90		7.50
D2		3.65	
D3		4.30	
e	0.50 BSC		
E	10.30 BSC		
E1	7.50 BSC		
E2	4.30		5.20
E3		2.30	
E4		2.90	
G1		1.20	
G2		1.00	
G3		0.80	
h	0.30		0.40
L	0.55	0.70	0.85
L1	1.40 REF		
L2	0.25 BSC		
N	36		
R	0.30		
R1	0.20		
S	0.25		
Tolerance of form and position			
aaa	0.20		
bbb	0.20		
ccc	0.10		
ddd	0.20		

Table 80. PowerSSO-36 mechanical data (continued)

Ref.	Dimensions		
	Millimeters		
	Min.	Typ.	Max.
eee		0.10	
fff		0.20	
ggg		0.15	

12.2 PowerSSO-36 packing information

Figure 36. PowerSSO-36 reel 13"

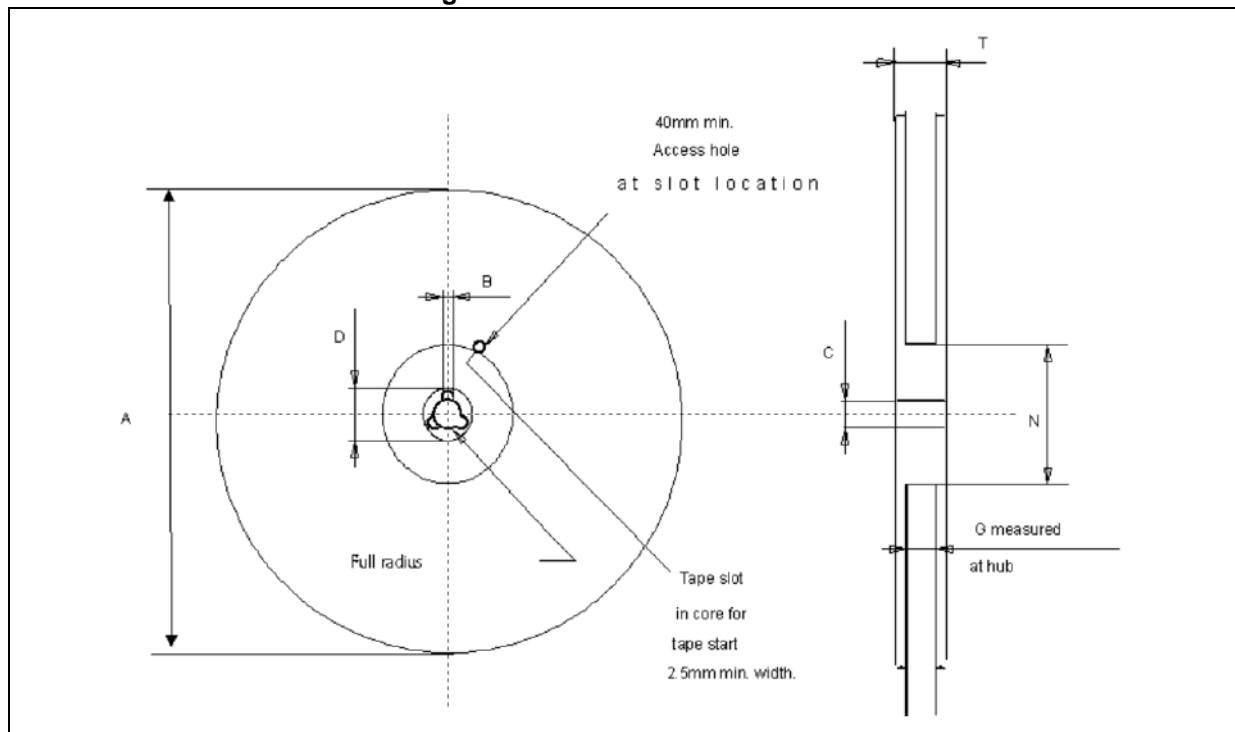


Table 81. Reel dimensions

Description	Value ⁽¹⁾
Base quantity	1000
Bulk quantity	1000
A (max)	330
B (min)	1.5
C (± 0.2)	13
F	20.2
G (+2 / -0)	24.4
N (min)	100
T (max)	30.4

1. All dimensions are in mm.

Figure 37. PowerSSO-36 carrier tape

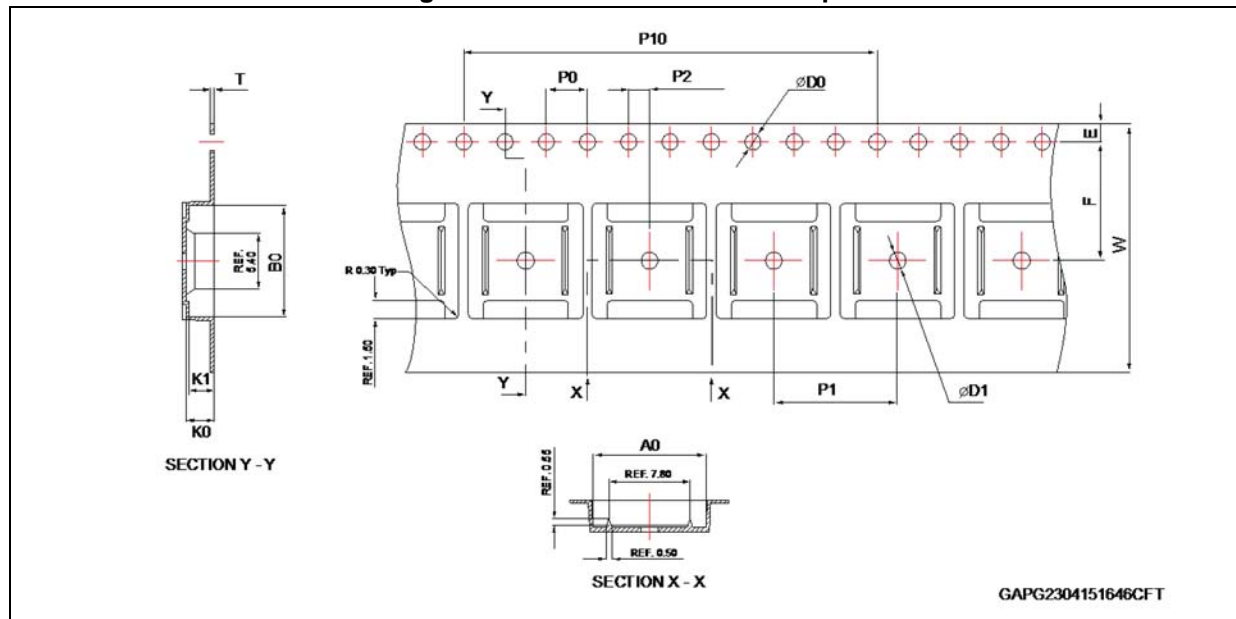


Table 82. PowerSSO-36 carrier tape dimensions

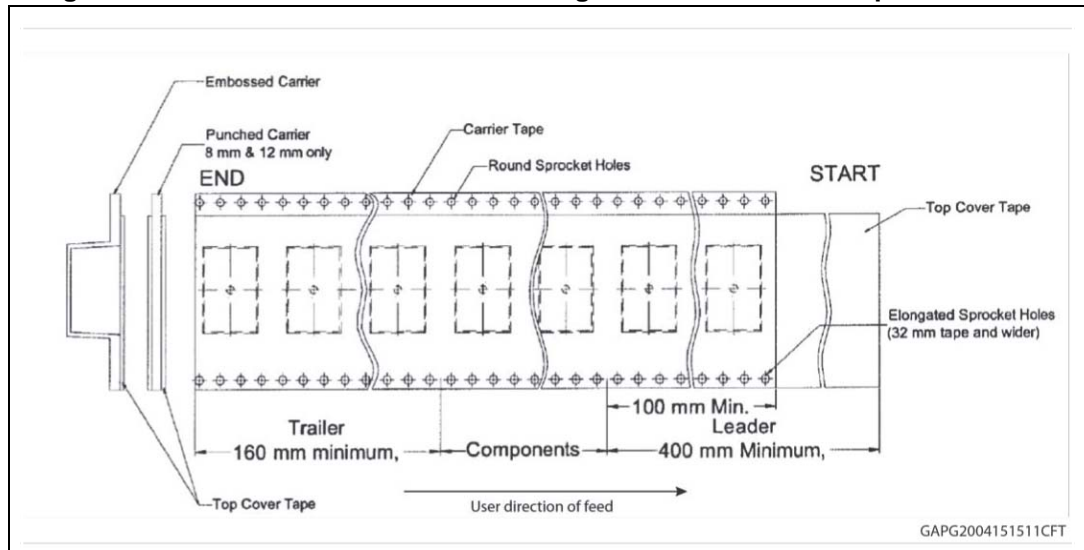
Description	Value ⁽¹⁾
A_0	10.90 ± 0.10
B_0	10.80 ± 0.10
K_0	2.75 ± 0.10
K_1	2.45 ± 0.10
D_0	$1.50 (+0.10 / -0)$
D_1	1.60 ± 0.10

Table 82. PowerSSO-36 carrier tape dimensions (continued)

Description	Value ⁽¹⁾
P ₀	4.00 ± 0.10
P ₁	12.00 ± 0.10
P ₂	2.00 ± 0.10
P ₁₀	40.00 ± 0.20
E	1.75 ± 0.10
F	11.50 ± 0.10
W	24.00 ± 0.30
T	0.30 ± 0.05

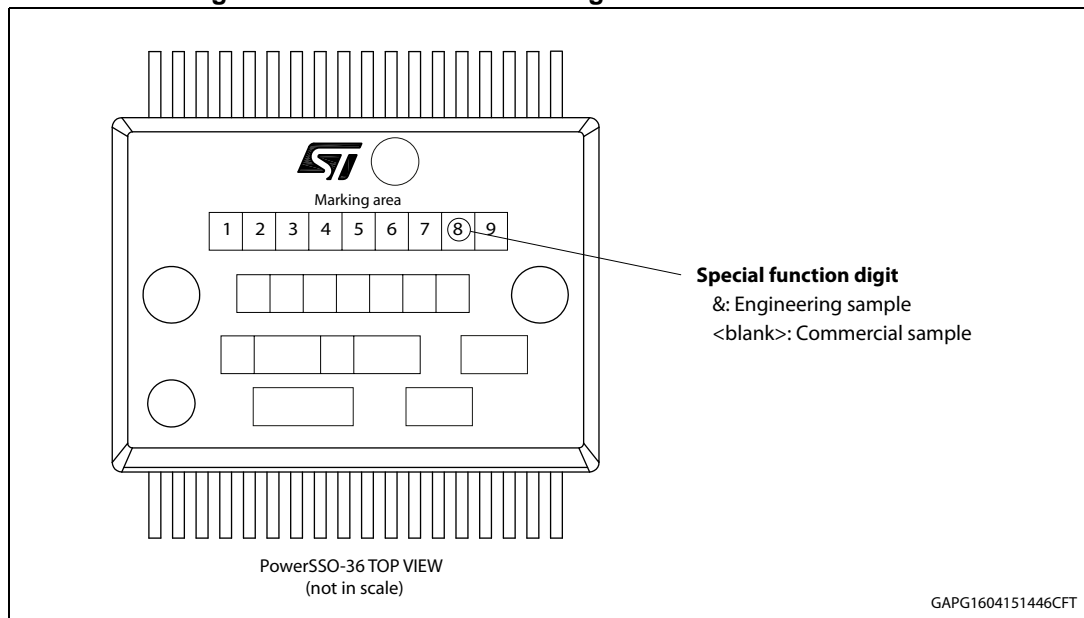
1. All dimensions are in mm

Figure 38. PowerSSO-36 schematic drawing of leader and trailer tape



12.3 PowerSSO-36 marking information

Figure 39. PowerSSO-36 marking information



Note: *Engineering Samples: Parts marked as “&” are not yet qualified and therefore not approved for use in production. ST is not responsible for any consequences resulting from such use. In no event will ST be liable for the customer using any of these engineering samples in production. ST’s Quality department must be contacted prior to any decision to use these engineering samples to run a qualification activity. Commercial Samples: fully qualified parts from ST standard production with no usage restrictions.*

13 Order codes

Table 83. Device summary

Package	Order codes	
	Tube	Tape and reel
PowerSSO-36	VNQ7003SY	VNQ7003SYTR

14 Revision history

Table 84. Document revision history

Date	Revision	Description of changes
01-Jul-2015	1	Initial release.
25-Nov-2015	2	<ul style="list-style-type: none"> - Updated Chapter 2: Functional description Updated Chapter 3: Protections - Updated Chapter 6: Programmable blanking window Table 53: Absolute maximum ratings: - -VCCJS: added parameter - -IDIN0,1, IDIN2,3: updated values - Table 55: DC characteristics - Mode 1: - -VDD_POR_ON: updated value - -IDD, IDDstd: updated test conditions Table 56: DC characteristics - Mode 2: - -IDD, IDDstd: updated test conditions - Table 58: AC characteristics (SDI, SCK, CSN, SDO pins) - Mode 2: - -COUT, CIN: updated test conditions - Table 60: Dynamic characteristics - Mode 2: - -tWDTB: added parameter Table 62: Power section: - -IS: updated test conditions - Table 63: Logic inputs (IN0,1,2,3 pins): - -VICL0,1: updated test conditions and values - -tSTEP: removed parameter - Updated Table 67: BULB - switching (VCC = 13 V; Normal switch mode) - Added Table 68: BULB - switching (VCC = 13 V; Fast switch mode) Table 69: BULB - protection and diagnostic - -IlimH_ch0,1, IlimH_ch2,3: Updated values - Table 70: BULB - Current sense (7 V < VCC < 18 V, channel 0,1; Tj = - 40 °C to 150 °C) - -K0, dK0/K0, ISENSE_DIS: deleted parameter - -K1, dK1/K1, K2, dK2/K2, K3, dK3/K3, ISENSE0: updated test conditions and values - -tDSENSE2H, tDSENSE2L, tD_XtoY: added parameters - Table 71: BULB - Current sense (7 V < VCC < 18 V, channel 2,3; Tj = - 40 °C to 150 °C) - -K0, dK0/K0, ISENSE_DIS: deleted parameter - -K1, dK1/K1, K2, dK2/K2, K3, dK3/K3, ISENSE0: updated test conditions and values - -tDSENSE2H, tDSENSE2L, tD_XtoY: added parameters - Table 72: LED - power section - RON Ch0,1: updated test conditions - Updated Table 73: LED - switching (VCC = 13 V; Normal switch mode)

Table 84. Document revision history (continued)

Date	Revision	Description of changes
25-Nov-2015 (cont.)	2	<ul style="list-style-type: none"> - Added Table 74: LED - switching (VCC = 13 V; Fast switch mode) Table 74: LED - switching (VCC = 13 V; Fast switch mode) - -K0, dK0/K0, K1, dK1/K1, K2, dK2/K2, ISENSE0: updated test conditions and values - -K3, dK3/K3, ISENSE_DIS: deleted parameter - -tDSENSE2H, tDSENSE2L, tD_XtoY: added parameters -
11-Oct-2016	3	<ul style="list-style-type: none"> - Minor text edits and formatting changes throughout document. - Updated Table 1: "Pin functionality description" with Pin 13 information - Updated Table 53: "Absolute maximum ratings" -VCC parameter description - Removed Table 56: "DC characteristics - Mode 2" VDD Pin footnote Updated Section 7.4.1: "BULB mode" WON and WOFF values - Updated Table 70: "BULB - Current sense (VCC = 7 V to 18 V, channel 0,1; Tj = -40 °C to 150 °C)" and Table 71: "BULB - Current sense (VCC = 7 V to 18 V, channel 2,3; Tj = -40 °C to 150 °C)" and Table 76: "LED - Current sense (VCC = 7 V to 18 V; Tj = -40 °C to 150 °C)": - -ISENSE test conditions - -tDSENSE2H and tDSENSE2L test conditions and values - -VSENSE_SAT test conditions - Updated Table 77: "Component values"

Table 84. Document revision history (continued)

Date	Revision	Description of changes
04-May-2017	4	<p>Minor text changes throughout document.</p> <p>Figure 1: "Block diagram": Replaced image</p> <p>Table 1: "Pin functionality description": Modified Function descriptions of the SDO, VDD and Current sense pins</p> <p>Section 2.1: "Device interfaces": Changed VDD option from 3.3 V to 3 V</p> <p>Table 3: "Frame 1: read (ROM) 0x3FH 0x--": Added footnote</p> <p>Section 3.2: "Junction overtemperature (OT)": Added reference to Limp Home Mode Updated the Global Status Byte that is cleared to bit 2 for Latched OFF operation</p> <p>Section 3.3: "Power limitation (PL)": Added reference to Limp Home Mode Updated the Global Status Byte that is cleared to bit 2 for Latched OFF operation</p> <p>Section 4.2: "SPI protocol": Restructured subsections to separately describe the SDI/SDO 8-bit and 16-bit formats.</p> <p>Table 20: "RAM memory map": Updated entries for memory addresses 05h, 08h, 09h and 3Eh</p> <p>Table 21: "ROM memory map": Updated Content column entry for memory address 0Ah</p> <p>Figure 16: "VNQ7003SY: 4-channel direct input block diagram": Replaced image</p> <p>Table 31: "CTLR - Control Register": Added GOSTBY value required to enter Normal mode for bit 0.</p> <p>Table 32: "DIENCR - Direct Input Enable Control Register": Updated content column entry for bits 7-4</p> <p>Removed Section: Address 0x05h - Test Register (TEST)</p> <p>Table 36: "CSMUXCR - Current sense Multiplexer Control Register": Updated content column entry for bits 7-4</p> <p>Table 38: "SOCR - SPI Output Control Register": Updated content column entry for bits 3-0</p> <p>Section 4.6.8: "Address 0x08h - Channel Latch OFF Timer Control Register (ch0, ch1) (CHLOFFTCR0,1)": Updated section title (changed CHLOFFTCR1 register name to CHLOFFTCR0,1)</p> <p>Table 39: "Channel configuration": Updated table title, table headings and blanking time window durations</p> <p>Table 40: "CHLOFFTCR0,1 - Channel Latch OFF Timer Control Register (ch0, ch1)": Modified all register names and updated content column entries accordingly</p>

Table 84. Document revision history (continued)

Date	Revision	Description of changes
04-May-2017 (cont.)	4	<p>Section 4.6.9: "Address 0x09h - Channel Latch OFF Timer Control Register (ch2, ch3) (CHLOFFTCR2,3)": Updated section title (changed CHLOFFTCR2 register name to CHLOFFTCR2,3)</p> <p>Table 41: "CHLOFFTCR2,3 - Channel Latch OFF Timer Control Register (ch2, ch3)": Modified register names for bits 7-4 and updated content column entries accordingly</p> <p>Section 5.8: "Address 0x31h - Open-load OFF-State / Stuck to VCC Status Register (OLOFFCR)": Updated section title (changed STKFLTR register name to OLOFFCR)</p> <p>Table 46: "STKFLTR - Open-load OFF-State / Stuck to VCC Status Register": Changed bit name from STKSRX to OLOFFCR</p> <p>Table 47: "CHLOFFSR - Channels latch-off status register": Updated bit names for bits 3-0</p> <p>Table 50: "CONFIG - Configuration Register": Updated Reset column values for bits 7-5</p> <p>Section 6: "Programmable blanking window": Updated register names (from CHLOFFTCR1 to CHLOFFTCR0,1 and from CHLOFFTCR2 to CHLOFFTCR2,3)</p> <p>Table 51: "Time values written by MCU and their real value in timer register": Updated all Typical value of blanking time values</p> <p>Section 6.4: "Registers":</p> <ul style="list-style-type: none"> -Updated register names (from CHLOFFTCR1 to CHLOFFTCR0,1 and from CHLOFFTCR2 to CHLOFFTCR2,3) -Added "Clear command" description to the subsection: Latch-OFF Flag register access <p>Table 52: "Absolute maximum ratings": Updated VREG parameter value from 3 V to 3.6 V</p> <p>Table 54: "DC characteristics - Mode 1":</p> <ul style="list-style-type: none"> -Updated min, typ and max values for VDD_POR_ON and VDD_POR_OFF -Updated max values for parameters VSDI_CL (IIN = 1 mA), VSCK_CL (IIN = 1 mA) and VCL_CSN (IIN = 1 mA) <p>Table 55: "DC characteristics - Mode 2": Updated max values for parameters VSDI_CL (IIN = 1 mA), VSDK_CL (IIN = 1 mA) and VCL_CSN (IIN = 1 mA)</p> <p>Table 57: "AC characteristics (SDI, SCK, CSN, SDO pins) - Mode 2": Updated max values for parameters COUT and CIN</p> <p>Table 58: "Dynamic characteristics - Mode 1": Updated min, typ and max values for parameter tstdby_out</p> <p>Table 59: "Dynamic characteristics - Mode 2": Inserted min, typ or max values for all parameters except tSCLK, tCSNQV and tCSNQV</p> <p>Table 67: "BULB - switching (VCC = 13 V; Fast switch mode)": Updated min, typ and/or max values for all parameters</p>

Table 84. Document revision history (continued)

Date	Revision	Description of changes
04-May-2017 (cont.)	4	<p>Table 60: "VREG pin - Mode 1":</p> <ul style="list-style-type: none"> -Inserted max value for VREG (Supply voltage in standby mode) -Updated output impedance symbol to ZREG Updated test conditions for ZREG and IREG_Max -Updated typ value for IREG_Max <p>Table 61: "Power section":</p> <ul style="list-style-type: none"> -Changed parameter symbol IS to Istby -Added parameter Is(on) - Supply current in ON-state <p>Table 62: "Logic inputs (IN0,1,2,3 pins)": Changed symbol VDIN to VIN in Test condition column</p> <p>Table 63: "Protection": Updated min and max values for parameters VDS_OVL, tBlanking and tON_MIN</p> <p>Table 64: "Open-load detection (7V < VCC < 18 V)": Updated min, typ and max values for parameters IPU and tDOLOFF</p> <p>Table 66: "BULB - switching (VCC = 13 V; Normal switch mode)":</p> <ul style="list-style-type: none"> -Updated min, typ and max values for parameters tdon, tdooff, tskew, (dVOUT/dt)off and WOFF -Changed WOFF to Ch2,3 in Parameter column of WON <p>Table 68: "BULB - protection and diagnostic": Updated Parameters and Test conditions for VDEMAG</p> <p>Table 69: "BULB - Current sense (7 V < VCC < 18 V, channel 0,1; Tj = -40 °C to 150 °C)":</p> <ul style="list-style-type: none"> -Updated min values for parameters VSENSE_SAT and IOUT_SAT_BULB -Updated typ values for parameters K1, K2 and K3 -Updated max values for parameters ISENSE0 (current sense enabled), tDSENSE1H, tDSENSE2H and tD_XtoY -Changed Tj to -40 °C in Parameter column of VSENSE_SAT <p>Table 70: "BULB - Current sense (7 V < VCC < 18 V, channel 2,3; Tj = -40 °C to 150 °C)":</p> <ul style="list-style-type: none"> -Updated min values for parameters VSENSE_SAT and IOUT_SAT_BULB -Updated typ values for parameters K1, K2, K3, tDSENSE1H and tDSENSE2H -Updated max values for parameters tDSENSE1H, tDSENSE2H and tDSENSE2L -Changed Tj to -40 °C in Parameter column of VSENSE_SAT <p>Table 72: "LED - switching (VCC = 13 V; Normal switch mode)": Updated min, typ and/or max values for all parameters</p>

Table 84. Document revision history (continued)

Date	Revision	Description of changes
04-May-2017 (cont.)	4	<p>Table 73: "LED - switching (VCC = 13 V; Fast switch mode)": Updated min, typ and/or max values for all parameters</p> <p>Table 75: "LED - Current sense (7 V < VCC < 18 V; Tj = -40 °C to 150 °C)":</p> <ul style="list-style-type: none"> -Updated min value for parameter IOUT_SAT_LED -Updated typ values for parameters K0, K1, K2 and tDSENSE2H -Updated max values for parameters ISENSE0, tDSENSE2H and tDSENSE2L <p>-Changed Tj to -40 °C in Parameter column of VSENSE_SAT Figure 25: "Current sense delay characteristics": Replaced image Figure 26: "Switching characteristics": Replaced image Figure 27: "M0-7 SPI Standard connection SPI only": Replaced image Figure 28: "M0-7 SPI standard, full connection": Replaced image Section 10.3: "PowerSSO-36 marking information": Updated information regarding the use of engineering samples</p>
13-Dec-2017	5	<ul style="list-style-type: none"> - Updated Table 52: Absolute maximum ratings , added EMAX0,1 and EMAX2,3 values. - Updated Table 53: Thermal data - Updated Table 54: DC characteristics - Mode 1 - Updated Table 63: Protection - Updated Table 65: BULB - power section - Updated Table 67: BULB - switching (VCC = 13 V; Fast switch mode) - Updated Table 69: BULB - Current sense (7 V < VCC < 18 V, channel 0,1; Tj = -40 °C to 150 °C) - Updated Table 70: BULB - Current sense (7 V < VCC < 18 V, channel 2,3; Tj = -40 °C to 150 °C) - Updated Table 73: LED - switching (VCC = 13 V; Fast switch mode) - Updated Table 75: LED - Current sense (7 V < VCC < 18 V; Tj = -40 °C to 150 °C) - Updated Figure 26: Switching characteristics - Updated Table 76: ISO 7637-2 - electrical transient conduction along supply line <p>Added Section 10: Package and PCB thermal data Added Section 11: Maximum demagnetization energy (VCC = 16 V)</p>
15-Jan-2018	6	Updated Table 54: DC characteristics - Mode 1 .

Table 84. Document revision history (continued)

Date	Revision	Description of changes
04-Apr-2018	7	<p>In Table 67: BULB - switching (VCC = 13 V; Fast switch mode):</p> <ul style="list-style-type: none"> – updated parameter description of “t_{skew}” symbol from “Turn-off turn-on time” in “Turn-off turn-on time Ch2,3” – updated parameter description of “$(dV_{OUT}/dt)_{on}$” symbol from “Turn-on voltage slope” in “Turn-on voltage slope Ch2,3” – updated parameter description of “$(dV_{OUT}/dt)_{off}$” symbol from “Turn-off voltage slope” in “Turn-off voltage slope Ch2,3” – updated parameter description of “W_{ON}” symbol from “Switching losses energy” in “Switching losses energy at turn-on Ch2,3” – updated parameter description of “W_{OFF}” symbol from “Switching losses energy” in “Switching losses energy at turn-off Ch2,3” <p>Updated title of Table 72: LED - switching (VCC = 13 V; Normal switch mode)</p>
19-Dec-2018	8	<p>Add value OC0 in Table 12: Command byte.</p> <p>Updated value I_{SENSE} in Table 52: Absolute maximum ratings.</p> <p>Add <i>tablefootnote</i> in Table 58: Dynamic characteristics - Mode 1.</p> <p>Add <i>tablefootnote</i> in Table 59: Dynamic characteristics - Mode 2.</p> <p>Updated Table 63: Protection.</p> <p>Changed typ value in Table 70: BULB - Current sense (7 V < VCC < 18 V, channel 2,3; Tj = -40 °C to 150 °C) as regards symbols K1, K2 and K3.</p>

IMPORTANT NOTICE – PLEASE READ CAREFULLY

STMicroelectronics NV and its subsidiaries ("ST") reserve the right to make changes, corrections, enhancements, modifications, and improvements to ST products and/or to this document at any time without notice. Purchasers should obtain the latest relevant information on ST products before placing orders. ST products are sold pursuant to ST's terms and conditions of sale in place at the time of order acknowledgement.

Purchasers are solely responsible for the choice, selection, and use of ST products and ST assumes no liability for application assistance or the design of Purchasers' products.

No license, express or implied, to any intellectual property right is granted by ST herein.

Resale of ST products with provisions different from the information set forth herein shall void any warranty granted by ST for such product.

ST and the ST logo are trademarks of ST. All other product or service names are the property of their respective owners.

Information in this document supersedes and replaces information previously supplied in any prior versions of this document.

© 2018 STMicroelectronics – All rights reserved