

TPS543B20 4 Vin to 19 Vin, 25-A Stackable, Synchronous Step-down SWIFT™ Converter with Adaptive Internal Compensation

1 Features

- Internally-compensated Advanced Current Mode Control 25-A POL
- Input Voltage Range: 4.0-V to 19-V
- Output Voltage Range: 0.6-V to 5.5-V
- Integrated 4.1/1.9-mΩ Stacked NexFET™ Power Stage with lossless Low-Side current sensing
- Fixed Frequency - Synchronization to an External Clock and/ or Sync Out
- Pin Strapping Programmable Switching Frequency from 300 kHz to 2 MHz
- Pin Strapping Programmable Reference from 0.6 V to 1.1 V with 0.5% Accuracy
- Differential Remote Sensing
- Safe Start-Up into Pre-Biased Output
- High accuracy Hiccup Current Limit
- Asynchronous Pulse Injection (API) and Body Braking
- 40-pin, 5-mm x 7-mm LQFN Package with 0.5-mm Pitch and Single Thermal Pad
- Create a Custom Design Using the TPS543B20 With the [WEBENCH® Power Designer](#)

2 Applications

- Wireless and Wired Communications Infrastructure equipment
- Enterprise Servers, Switches, and Routers
- Enterprise Storage, SSD
- ASIC, SoC, FPGA, DSP Core and I/O Rails

3 Description

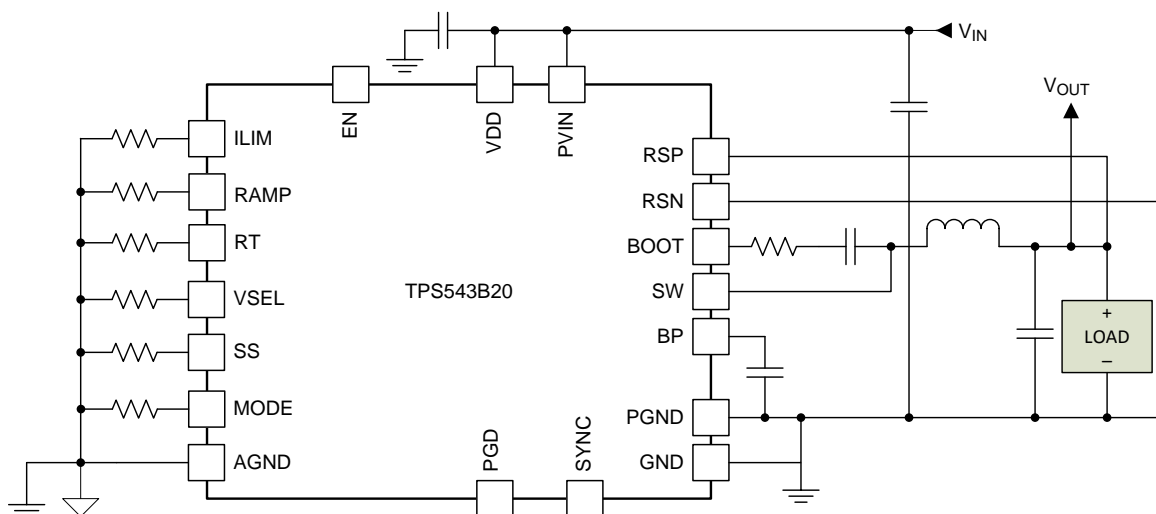
The TPS543B20 employs an internally compensated emulated peak current mode control, with a clock synchronizable, fixed frequency modulator for EMI-sensitive POL. The internal integrator and directly amplifying ramp tracking loop eliminate the need for external compensation over a wide range of frequencies thereby making the system Design flexible, dense, and simple. Optional API and Body Braking help improve transient performance by significantly reducing undershoot and overshoot, respectively. Integrated NexFET™ MOSFETs with low-loss switching facilitate high efficiency and deliver up to 25 A in a 5 mm x 7 mm PowerStack™ package with a layout friendly thermal pad.

Device Information⁽¹⁾

PART NUMBER	PACKAGE	BODY SIZE (NOM)
TPS543B20	RVF (40)	5.00 mm x 7.00

1. For all available packages, see the orderable addendum at the end of the data sheet.

Simplified Schematic



Copyright © 2017, Texas Instruments Incorporated



Table of Contents

1	Features	1	9	Application and Implementation	20
2	Applications	1	9.1	Application Information.....	20
3	Description	1	9.2	Typical Applications	20
4	Revision History	2	10	Power Supply Recommendations	24
5	Device Comparison Table	3	11	Layout	25
6	Pin Configuration and Functions	3	11.1	Layout Guidelines	25
7	Specifications	5	11.2	Layout Example	26
7.1	Absolute Maximum Ratings	5	11.3	Package Size, Efficiency and Thermal Performance.....	27
7.2	ESD Ratings	5	12	Device and Documentation Support	29
7.3	Recommended Operating Conditions	5	12.1	Device Support.....	29
7.4	Thermal Information	6	12.2	Receiving Notification of Documentation Updates	29
7.5	Electrical Characteristics.....	6	12.3	Community Resources.....	29
7.6	Typical Characteristics.....	10	12.4	Trademarks	29
8	Detailed Description	12	12.5	Electrostatic Discharge Caution.....	29
8.1	Overview	12	12.6	Glossary	30
8.2	Functional Block Diagram	12	13	Mechanical, Packaging, and Orderable Information	30
8.3	Feature Description.....	13			
8.4	Device Functional Modes.....	13			

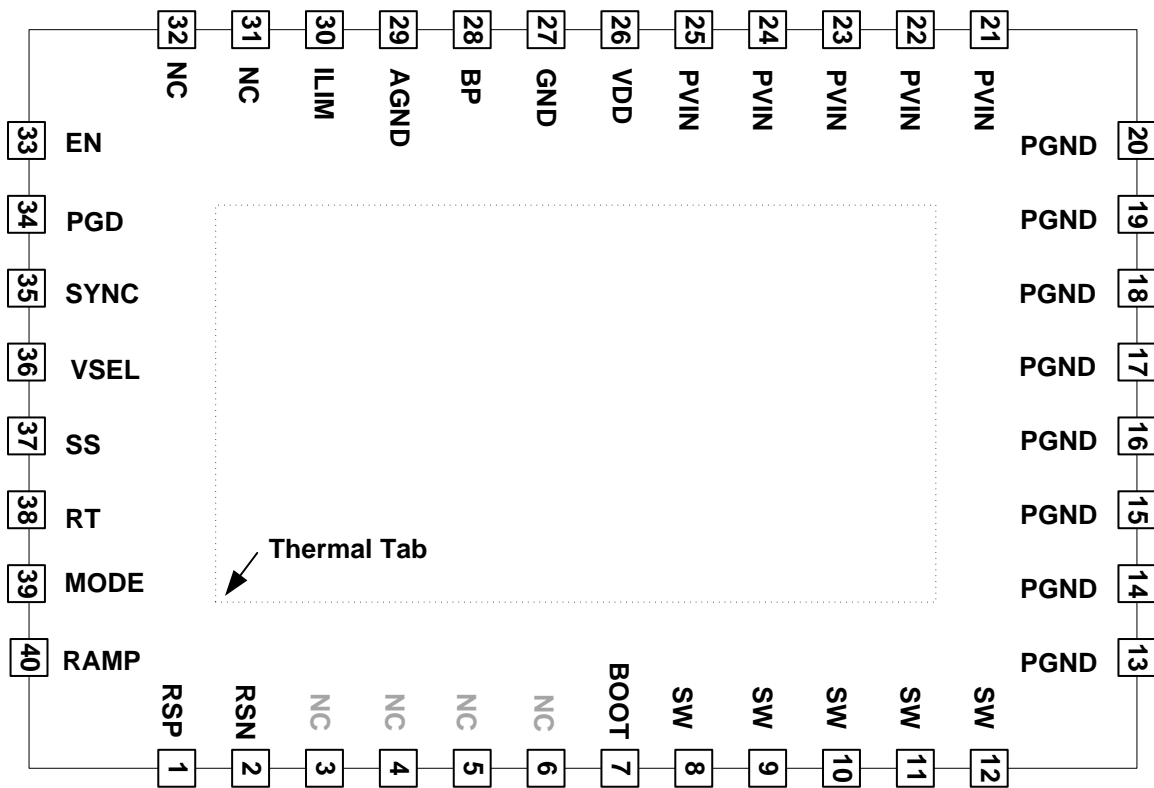
4 Revision History

DATE	REVISION	NOTES
May 2017	*	Initial release.

5 Device Comparison Table

DEVICE	OUTPUT CURRENT
TPS543B20	25 A
TPS543C20	40 A

6 Pin Configuration and Functions



Pin Functions

PIN		I/O/P ⁽¹⁾	DESCRIPTION
NO.	NAME		
1	RSP	I	The positive input of the remote sense amplifier. Connect RSP pin to the output voltage at the load. For Multi-phase configuration, the remote sense amplifier is not needed for slave devices
2	RSN	I	The negative input of the remote sense amplifier. Connect RSN pin to the ground at load side. For Multi-phase configuration, the remote sense amplifier is not needed for slave devices
3 – 6	NC		Not connected
7	BOOT	I	Bootstrap pin for the internal flying high-side driver. Connect a typical 100 nF capacitor from this pin to SW. To reduce the voltage spike at SW, a BOOT resistor with a value between 1 Ω to 10 Ω may be placed in series with the BOOT capacitor to slow down turn-on of the high-side FET
8 – 12	SW	B	Output of converted power. Connect this pin to the output Inductor
13 – 20	PGND	G	These ground pins are connected to the return of the internal low-side MOSFET
21 – 25	PVIN	I	Input power to the power stage. Low impedance bypassing of these pins to PGND is critical
26	VDD	I	Controller power supply input
27	GND	G	Ground return for the controller. This pin should be directly connected to the thermal pad on the PCB board
28	BP	O	Output of the 5 V on board regulator. This regulator powers the driver stage of the controller and should be bypassed with a minimum of 2.2 μ F to the thermal pad (Power Stage ground, i.e. GND). Low impedance bypassing of this pin to PGND is critical
29	AGND	G	GND return for internal analog circuits
30	ILIM	O	Current protection pin, connect a resistor from this pin to AGND sets current limit level
31	NC		Not connected
32	NC		Not connected
33	EN	I	The enable pin turns on the switcher
34	PGD	O	Open-drain power-good status signal which provides startup delay after the FB voltage falls within the specified limits. After the FB voltage moves outside the specified limits, PGOOD goes low
35	SYNC	B	For frequency synchronization. This pin can be configured as sync in or sync out by MODE pin and RT pin for master and slave devices
36	VSEL	I	Connect a resistor from this pin to AGND to select internal reference voltage
37	SS	O	Connect a resistor from this pin to AGND to select soft start time
38	RT	O	Frequency setting pin. Connect a resistor from this pin to AGND to program the switching frequency. This pin also selects sync point for devices in stackable applications
39	MODE	B	Enable or disable API or body brake function, choose API threshold, also selects the operation mode in stackable applications
40	RAMP	B	Ramp level selection, with a resistor to AGND to adjust internal loop
–	Thermal Tab	–	Package thermal tab, internally connected to PGND. The thermal tab must have adequate solder coverage for proper operation

(1) I = Input, O = Output, B = Bidirectional, P = Supply, G = Ground

7 Specifications

7.1 Absolute Maximum Ratings

over operating free-air temperature range (unless otherwise noted)⁽¹⁾⁽²⁾

PARAMETER		MIN	MAX	UNIT	
Input voltage ⁽¹⁾	VIN	-0.3	25	V	
	VIN < 2 ms transient	27			
	VDD	-0.3	22		
	BOOT	-0.3	34.5		
	BOOT to SW	DC	-0.3		6.5
		< 10 ns	-0.3		7
	VSEL, SS, MODE, RT, SYNC, EN, ILIM		-0.3		7
	RSP	-0.3	3.6		
	RSN	-0.3	0.3		
	PGND, GND	-0.3	0.3		
SW	DC	-0.3	25		
	< 10 ns	-5.0	27		
Output voltage	BP, RAMP	-0.3	7	V	
	PGD	-0.3	7		
Junction temperature, T _J		-55	150	°C	
Storage temperature, T _{stg}		-55	150		

(1) Stresses beyond those listed under *Absolute Maximum Ratings* may cause permanent damage to the device. These are stress ratings only, which do not imply functional operation of the device at these or any other conditions beyond those indicated under *Recommended Operating Conditions*. Exposure to absolute-maximum-rated conditions for extended periods may affect device reliability.

(2) All voltage values are with respect to the network ground terminal unless otherwise noted.

7.2 ESD Ratings

		VALUE	UNIT
V _(ESD) Electrostatic discharge	Human-body model (HBM), per ANSI/ESDA/JEDEC JS-001 ⁽¹⁾	±2500	V
	Charged-device model (CDM), per JEDEC specification JESD22-C101 ⁽²⁾	±1500	

(1) JEDEC document JEP155 states that 500-V HBM allows safe manufacturing with a standard ESD control process. Manufacturing with less than 500-V HBM is possible with the necessary precautions.

(2) JEDEC document JEP157 states that 250-V CDM allows safe manufacturing with a standard ESD control process. Manufacturing with less than 250-V CDM is possible with the necessary precautions.

7.3 Recommended Operating Conditions

over operating free-air temperature range (unless otherwise noted)

PARAMETER		MIN	MAX	UNIT	
Input voltage ⁽¹⁾	VIN	4.0	25	V	
	VDD	4.0	22		
	BOOT	-0.1	23.5		
	BOOT to SW	DC	-0.1		5.5
		< 10 ns	-0.1		6
	VSEL, SS, MODE, RT, SYNC, EN, ILIM		-0.1		5.5
	RSP	-0.1	1.7		
	RSN	-0.1	0.1		
	PGND, GND	-0.1	0.1		
	SW	DC	-0.1		19
< 10 ns		-5.0	24		

(1) All voltage values are with respect to the network ground terminal unless otherwise noted.

Recommended Operating Conditions (continued)

over operating free-air temperature range (unless otherwise noted)

PARAMETER		MIN	MAX	UNIT
Output voltage ⁽¹⁾	BP, RAMP	-0.3	7	V
	PGD	-0.3	7	
Junction temperature, T _J		-40	125	°C
Storage temperature, T _{stg}		-55	125	

7.4 Thermal Information

THERMAL METRIC ⁽¹⁾		TPS543B20	UNIT
		RVF (LQFN)	
		40 PINS	
R _{θJA}	Junction-to-ambient thermal resistance	29.1	°C/W
R _{θJC(top)}	Junction-to-case (top) thermal resistance	19.3	°C/W
R _{θJB}	Junction-to-board thermal resistance	4.2	°C/W
ψ _{JT}	Junction-to-top characterization parameter	1.4	°C/W
ψ _{JB}	Junction-to-board characterization parameter	4.2	°C/W
R _{θJC(bot)}	Junction-to-case (bottom) thermal resistance	1.2	°C/W

(1) For more information about traditional and new thermal metrics, see the *Semiconductor and IC Package Thermal Metrics* application report, [SPRA953](#).

7.5 Electrical Characteristics

over operating free-air temperature range (unless otherwise noted)

PARAMETER		TEST CONDITIONS	MIN	TYP	MAX	UNIT
MOSFET R_{DS(ON)}						
R _{DS(on)HS}	HS FET	VBST – VSW = 5 V, I _D = 20 A, T _J = 25°C		4.1		mΩ
R _{DS(on)LS}	LS FET	VDD = 5 V, I _D = 20 A, T _J = 25°C		1.9		mΩ
t _{DEAD(LtoH)}	Power stage driver dead-time from Low-side off to High-side on ⁽¹⁾	VDD ≥ 12 V, T _J = 25°C		12		ns
t _{DEAD(HtoL)}	Power stage driver dead-time from High-side off to Low-side on ⁽¹⁾	VDDN ≥ 12 V, T _J = 25°C		15		ns
INPUT SUPPLY and CURRENT						
V _{VIN}	Power stage voltage		4.0		19	
V _{VDD}	VDD supply voltage		4.0		22	
I _{VDD}	VDD bias current	T _A =25°C, No load, Power Conversion Enabled (No Switching)		4.3		mA
I _{VDDSTBY}	VDD standby current	T _A =25°C, No load, Power Conversion Disabled		4.3		mA
UNDER VOLTAGE LOCKOUT						
V _{VDD_UVLO}	VDD UVLO rising threshold			3.8		V
V _{VDD_UVLO_HYS}	VDD UVLO hysteresis			0.2		v
V _{VIN_UVLO}	VIN UVLO rising threshold			3.2		V
V _{VIN_UVLO_HYS}	VIN UVLO hysteresis			0.2		v
V _{EN_ON_TH}	EN on threshold		1.45	1.6	1.75	V
V _{HYS}	EN hysteresis		270	300	330	mV
I _{EN_LKG}	EN input leakage current		-1	0	1	μA

(1) Specified by design. Not production tested.

Electrical Characteristics (continued)

over operating free-air temperature range (unless otherwise noted)

PARAMETER		TEST CONDITIONS	MIN	TYP	MAX	UNIT
INTERNAL REFERENCE VOLTAGE						
V _{INTREF}	Internal REF voltage	R _{VSEL} =OPEN		1000		mV
V _{INTREFTOL}	Internal REF voltage tolerance	T _J = -40°C to 125°C	-0.5%		+0.5%	
		0.6 V ≤ V ≤ 1.1 V	-1.0%		+1.0%	
V _{INTREF_VSEL}	Internal REF voltage range	Pragramable by VSEL (Pin 36)	0.6		1.10	V
OUTPUT VOLTAGE						
I _{RSP}	RSP input current	V _{RSP} = 600 mV	-1		1	μA
DIFFERENTIAL REMOTE SENSE AMPLIFIER						
f _{UGBW}	Unity gain bandwidth ⁽¹⁾		5	8.5		MHz
A _O	Open loop gain ⁽¹⁾		75			dB
SR	SLew rate ⁽¹⁾			±10		V/μs
V _{ICM}	Input common mode range ⁽¹⁾		-0.2		1.7	V
V _{OFFSET}	Input offset voltage ⁽¹⁾	V _{RSN-VGND} = 0 mV	-1.0		1.0	mV
		V _{RSN-VGND} = ±100 mV	-1.9		1.9	
SWITCHING FREQUENCY						
F _{SW}	V _O switching frequency Max frequency for multi-phase is 1MHz	V _{IN} = 12 V, V _{VO} = 1.0 V, RT = 66.5 kΩ		300		kHz
		V _{IN} = 12 V, V _{VO} = 1.0 V, RT = 48.7 kΩ		400		
		V _{IN} = 12 V, V _{VO} = 1.0 V, RT = 39.2 kΩ		500		
		V _{IN} = 12 V, V _{VO} = 1.0 V, RT = 28.0 kΩ		700		
		V _{IN} = 12 V, V _{VO} = 1.0 V, RT = 22.6 kΩ		850		
		V _{IN} = 12 V, V _{VO} = 1.0 V, RT = 19.1 kΩ		1000		
		V _{IN} = 12 V, V _{VO} = 1.0 V, RT = 15.4 kΩ		1200		
		V _{IN} = 12 V, V _{VO} = 1.0 V, RT = 8.06 kΩ		2000		
t _{ON(min)}	Minimum on time ⁽¹⁾	DRVH rising to falling		30		ns
t _{OFF(min)}	Minimum off time ⁽¹⁾	DRVH falling to rising		250		ns
INTERNAL BOOTSTRAP SWITCH						
V _F	Forward voltage	V _{BP-VBST} , T _A = 25°C, I _F = 5 mA		0.1	0.2	V
VSEL						
VSEL	Internal reference voltage	R _{VSEL} = 0 kΩ		0.6		V
		R _{VSEL} = 8.66 kΩ		0.7		
		R _{VSEL} = 15.4 kΩ		0.75		
		R _{VSEL} = 23.7 kΩ		0.8		
		R _{VSEL} = 34.8 kΩ		0.85		
		R _{VSEL} = 51.1 kΩ		0.9		
		R _{VSEL} = 78.7 kΩ		0.95		
		R _{VSEL} = OPEN		1.0		
		R _{VSEL} = 121 kΩ		1.05		
		R _{VSEL} = 187 kΩ		1.1		

Electrical Characteristics (continued)

over operating free-air temperature range (unless otherwise noted)

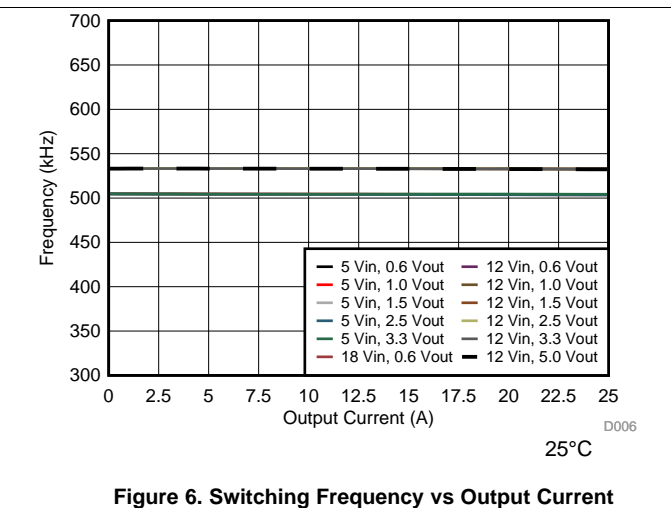
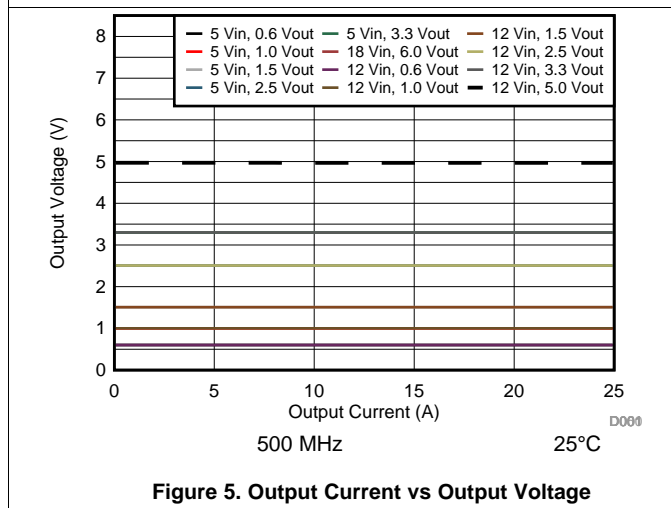
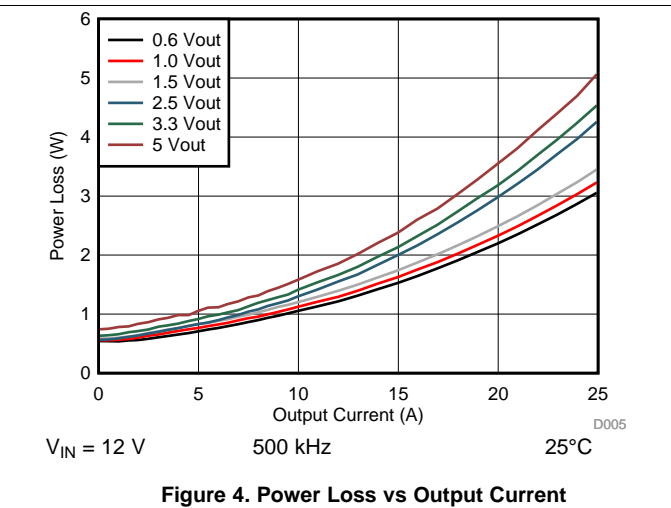
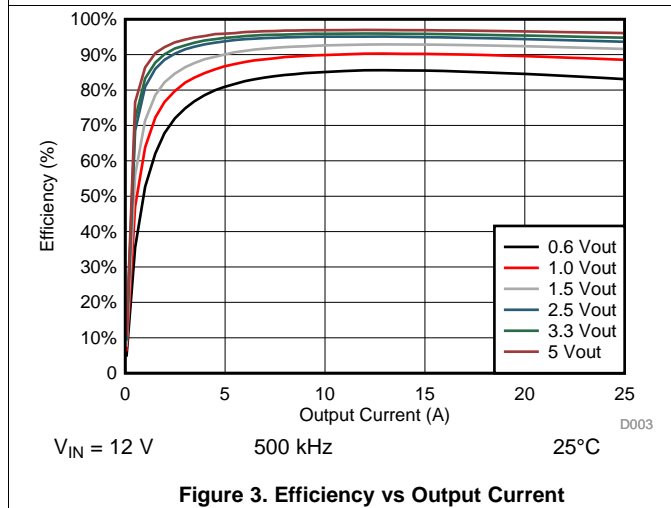
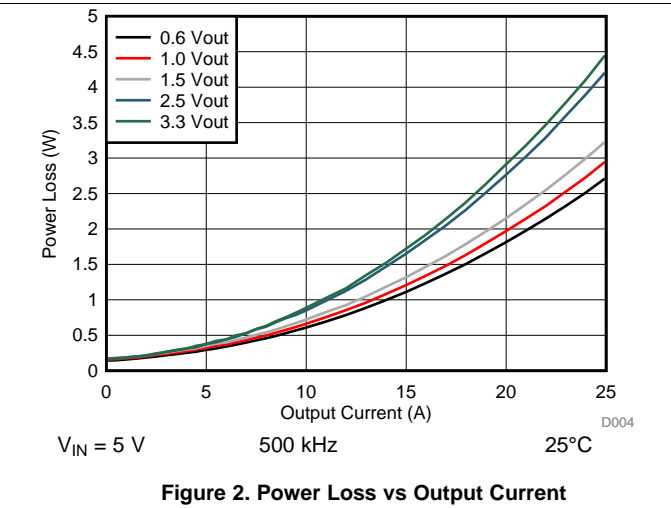
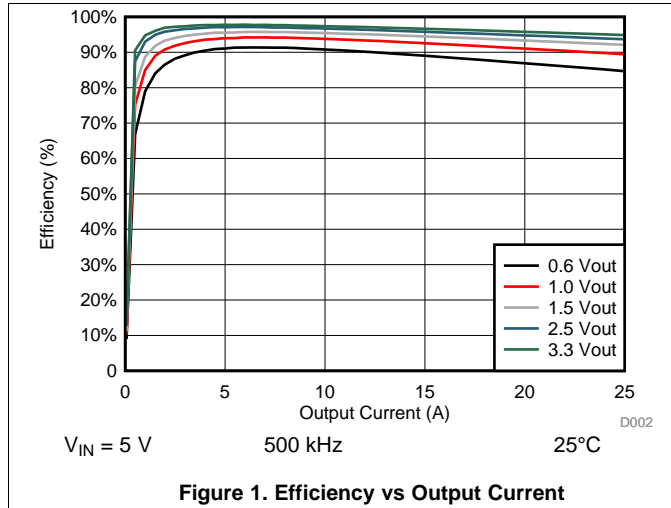
PARAMETER		TEST CONDITIONS	MIN	TYP	MAX	UNIT
SOFT START						
t_{SS}	Soft-Start time	V_O rising from 0 V to 95% of final set point	$R_{SS} = 0 \text{ k}\Omega$	0.5		ms
			$R_{SS} = 8.66 \text{ k}\Omega$	1		
			$R_{SS} = 15.4 \text{ k}\Omega$	2		
			$R_{SS} = \text{Open}$	4		
			$R_{SS} = 23.7 \text{ k}\Omega$	5		
			$R_{SS} = 34.8 \text{ k}\Omega$	8		
			$R_{SS} = 51.1 \text{ k}\Omega$	12		
			$R_{SS} = 78.7 \text{ k}\Omega$	16		
			$R_{SS} = 121 \text{ k}\Omega$	24		
$R_{SS} = 187 \text{ k}\Omega$	32					
POWER ON DELAY						
t_{PODLY}	Power-on delay time	Delay from enable to switching	512		μs	
PGOOD COMPARATOR						
$V_{PG(thresh)}$	OV warning threshold on RSP pin, PGOOD fault threshold on rising	$V_{REF}=600 \text{ mV}$	108	112	116	% V_{REF}
	UV warning threshold on RSP pin, PGOOD fault threshold on falling	$V_{REF}=600 \text{ mV}$	84	88	92	
$V_{PGD(rise)}$	PGOOD threshold on rising and UV warning threshold de-assertion threshold at RSP pin	$V_{REF}=600 \text{ mV}$	95		% V_{REF}	
$V_{PGD(fall)}$	PGOOD threshold on falling and OV warning threshold de-assertion threshold at RSP pin	$V_{REF}=600 \text{ mV}$	105		% V_{REF}	
R_{PGD}	PGOOD pulldown resistance	$I_{PGOOD} = 5 \text{ mA}$, $V_{RSP}=0\text{V}$	30	45	60	Ω
t_{PGDLY}	PGOOD delay time	Delay for PGOOD going in	1.024		ms	
		Delay for PGOOD coming out	2		μs	
$V_{PGD(OL)}$	PGOOD output low level voltage at no supply voltage	$V_{DD}=0$, $I_{PGOOD} = 80 \mu\text{A}$	0.8		V	
I_{PGLK}	PGOOD leakage current	$V_{PGOOD} = 5.0 \text{ V}$	15		μA	

Electrical Characteristics (continued)

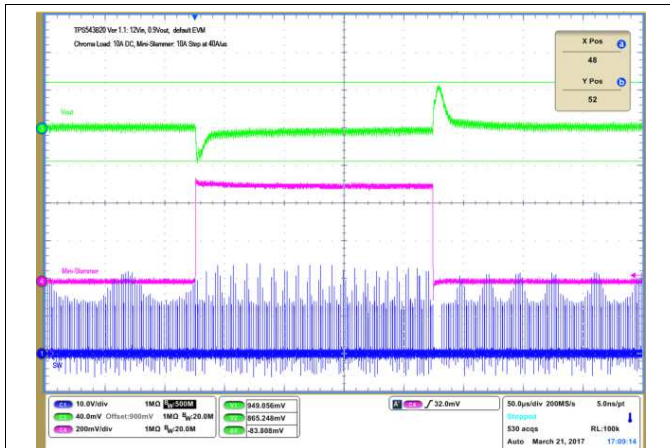
over operating free-air temperature range (unless otherwise noted)

PARAMETER		TEST CONDITIONS	MIN	TYP	MAX	UNIT
CURRENT DETECTION						
V _{ILIM}	V _{TRIP} voltage range	R _{dson} sensing	0.1		1.2	V
I _{OCP}	Low-Side FET Current Protection threshold and tolerance	R _{LIM} = 48.7 kΩ		20		A
		OC tolerance		±15%		
I _{OCP_N}	Negative current limit threshold	Valley-point current sense		-23		A
I _{CLMP_LO}	Clamp current at V _{TRIP} clamp at lowest	25°C, V _{TRIP} = 0.1 V	5.5	6.5	7.5	A
HIGH-SIDE SHORT CIRCUIT PROTECTION						
I _{HSOC}	High-side short circuit protection fault threshold ⁽¹⁾			45		A
OV / UV PROTECTION						
V _{OVP}	OVP threshold voltage	OVP detect voltage	113	117	121	%VREF
t _{OVPDLY}	OVP response time ⁽¹⁾	OVP response time with 100 mV overdrive			1	μs
V _{UVP}	UVP threshold voltage	UVP detect voltage	79	83	87	%VREF
t _{UVPDLY}	UVP delay ⁽¹⁾	UVP delay			1.5	μs
t _{HICDLY}	Hiccup Delay time	Regular t _{SS} setting		7 × t _{SS}		ms
BP LDO REGULATOR						
BP	LDO output voltage	V _{IN} = 12 V, I _{LOAD} = 0 to 10 mA	4.5	5	5.5	V
V _{BPUVLO}	BP UVLO threshold voltage	Wakeup		3.32		V
		Shutdown		3.11		
V _{LDOBP}	LDO low dropout voltage	V _{IN} = 4.5 V, I _{LOAD} = 30 mA, T _A = 25°C			365	mV
I _{LDO MAX}	LDO over-current limit	V _{IN} = 12 V, T _A = 25°C		100		mA
SYNCHRONIZATION						
V _{IH(SYNC)}	High-level input voltage		2.0			V
V _{IL(SYNC)}	Low-level input voltage				0.8	
t _{PSW(SYNC)}	Sync input minimum pulse width				100	ns
F _{SYNC} t _{SYNC to SW}	Synchronization frequency		300		2000	kHz
	Sync to SW delay tolerance, percentage from phase-to-phase ⁽¹⁾	F _{sync} = 300kHz to 1MHz,		10%		
t _{lose_SYNC_delay}	Delay when lose sync clock ⁽¹⁾	F _{SYNC} = 300 kHz		5		μs
THERMAL SHUTDOWN						
T _{SDN}	Built-in thermal shutdown threshold ⁽¹⁾	Shutsown temperature	155	165		°C
		Hysteresis		30		

7.6 Typical Characteristics

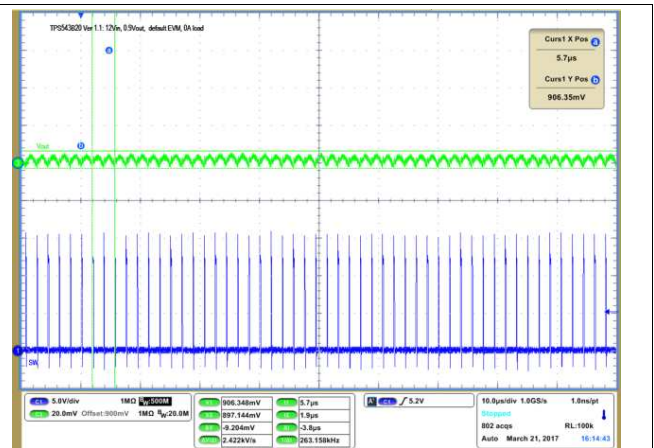


Typical Characteristics (continued)



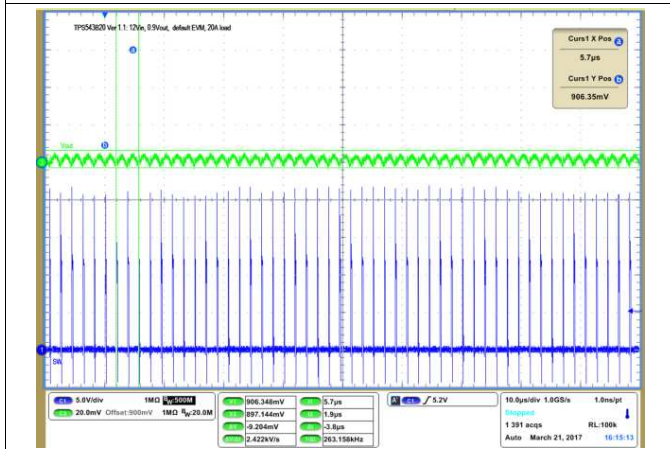
$V_{IN} = 12\text{ V}$ 10 A to 20 A to 10 A 10-A Step at 40 A/ μs
500 kHz $V_{OUT} = 900\text{ mV}$

Figure 7. Output Voltage Transient Response



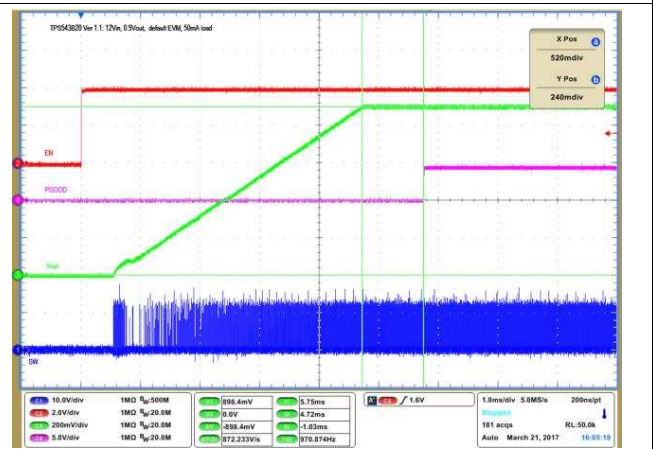
$V_{IN} = 12\text{ V}$ $V_{OUT} = 900\text{ mV}$ 0 A Load
500 kHz

Figure 8. Output Voltage Ripple at Steady State



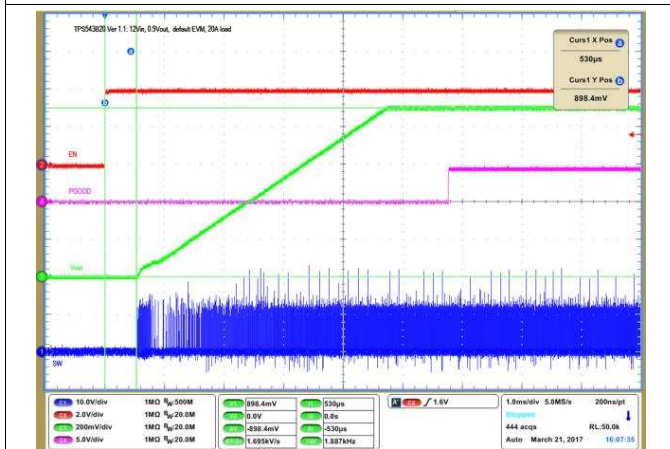
$V_{IN} = 12\text{ V}$ $V_{OUT} = 900\text{ mV}$ 20 A Load
500 kHz

Figure 9. Output Voltage Ripple at Steady State



$V_{IN} = 12\text{ V}$ $V_{OUT} = 900\text{ mV}$ 50 mA Load
500 kHz

Figure 10. Startup From EN



$V_{IN} = 12\text{ V}$ $V_{OUT} = 900\text{ mV}$ 20 A Load
500 kHz

Figure 11. Startup From EN



Figure 12. Output Voltage Startup and Shutdown

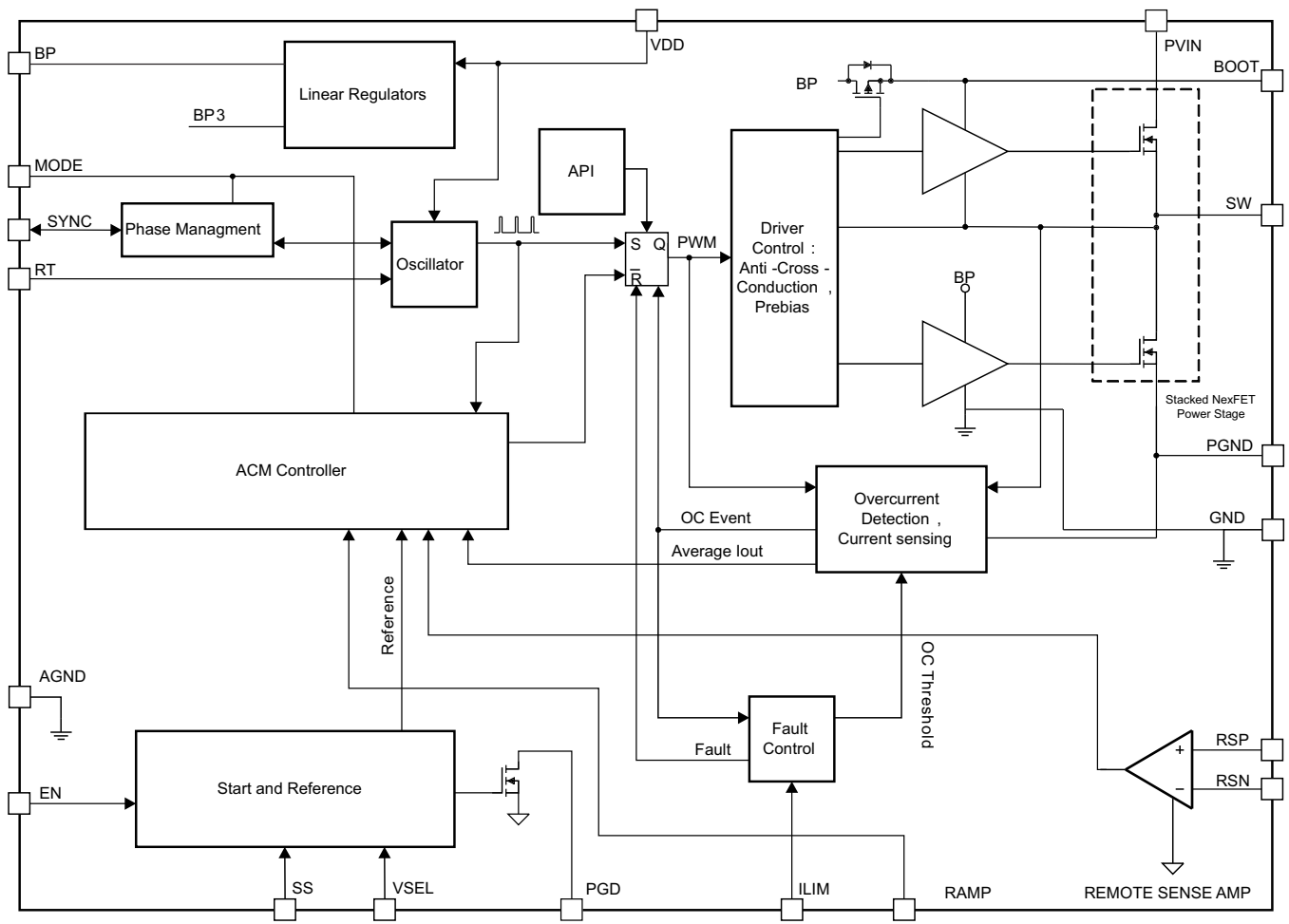
8 Detailed Description

8.1 Overview

The TPS543B20 device is 25-A, high-performance, synchronous buck converter with two integrated N-channel NexFET™ power MOSFETs. These devices implement the fixed frequency non-compensation mode control. Safe pre-bias capability eliminates concerns about damaging sensitive loads. Current sensing for over-current protection and current sharing between devices is done by sampling a small portion of the power stage current providing accurate information independent on the device temperature.

Advanced Current Mode (ACM) is an emulated peak current control topology. It supports stable static and transient operation without complex external compensation design. This control architecture includes an internal ramp generation network that emulates inductor current information, enabling the use of low ESR output capacitors such as multi-layered ceramic capacitors (MLCC). The internal ramp also creates a high signal to noise ratio for good noise immunity. The TPS543B20 has 10 Ramp options (see [Ramp Selections](#) for detail) to optimize internal loop for various inductor and output capacitor combinations with only a simple resistor to GND. The TPS543B20 is easy to use and allows low external component count with fast load transient response. Fixed frequency modulation also provides ease of filter design to overcome EMI noise.

8.2 Functional Block Diagram



Copyright © 2017, Texas Instruments Incorporated

8.3 Feature Description

The TPS543B20 device is a high-performance, integrated FET converter supporting current rating up to -A thermally. It integrates two N-channel NexFET™ power MOSFETs, enabling high power density and small PCB layout area. The drain-to-source breakdown voltage for these FETs is 25 V DC and 27 V transient for 10 ns. Avalanche breakdown occurs if the absolute maximum voltage rating exceeds 27 V. In order to limit the switch node ringing of the device, it is recommended to add a R-C snubber from the SW node to the PGND pins. Refer to the Layout Guidelines section for the detailed recommendations.

The typical on-resistance ($R_{DS(on)}$) for the high-side MOSFET is 4.1 m Ω and typical on-resistance for the low-side MOSFET is 1.9 m Ω with a nominal gate voltage (VGS) of 5 V.

8.4 Device Functional Modes

8.4.1 Soft-Start Operation

In the TPS543B20 device, the soft-start time controls the inrush current required to charge the output capacitor bank during startup. The device offers 10 selectable soft-start options ranging from 0.5 ms to 32 ms. When the device is enabled the reference voltage ramps from 0 V to the final level defined by VSEL pin strap configuration, in a given soft-start time, which can be selected by SS pin. See [Table 1](#) for details.

Table 1. SS Pin Configuration

SS time (ms)	Resistor Value (k Ω) ⁽¹⁾
0.5	0
1	8.66
2	15.4
5	23.7
4	OPEN
8	34.8
12	51.1
16	78.7
24	121
32	187

(1) The E48 series resistors with no more than 1% tolerance are recommended

8.4.2 Input and VDD Undervoltage Lockout (UVLO) Protection

The TPS543B20 provides fixed VIN and VDD undervoltage lockout threshold and hysteresis. The typical VIN turn-on threshold is 3.2 V and hysteresis is 0.2 V. The typical VDD turn-on threshold is 3.8 V and hysteresis is 0.2 V. No specific power-up sequence is required.

8.4.3 Power Good and Enable

The TPS543B20 has power-good output that indicates logic high when output voltage is within the target. The power-good function is activated after soft-start has finished. When the soft-start ramp reaches 90% of setpoint, PGOOD detection function will be enabled. If the output voltage becomes within $\pm 8\%$ of the target value, internal comparators detect power-good state and the power good signal becomes high after a delay. If the output voltage goes outside of $\pm 12\%$ of the target value, the power good signal becomes low after an internal delay. The power-good output is an open-drain output and must be pulled up externally.

This part has internal pull up for EN. EN is internally pulled up to BP when EN pin is floating. EN can be pulled low through external grounding. When EN pin voltage is below its threshold, TPS543B20 enters into shutdown operation, and the minimum time for toggle EN to reset is 5 μ s.

8.4.4 Voltage Reference

VSEL pin strap is used to program initial boot voltage value from 0.6 V to 1.1 V by the resistor connected from VSEL to AGND. The initial boot voltage is used to program the main loop voltage reference point. VSEL voltage settings provide TI designated discrete internal reference voltages. [Table 2](#) lists internal reference voltage selections.

Table 2. VSEL Pin Configuration

DEFAULT Vref (V)	RESISTOR VALUE (k Ω) ⁽¹⁾
0.6	0
0.7	8.66
0.75	15.4
0.8	23.7
0.85	34.8
0.9	51.1
0.95	78.7
1.0	OPEN
1.05	121
1.1	187

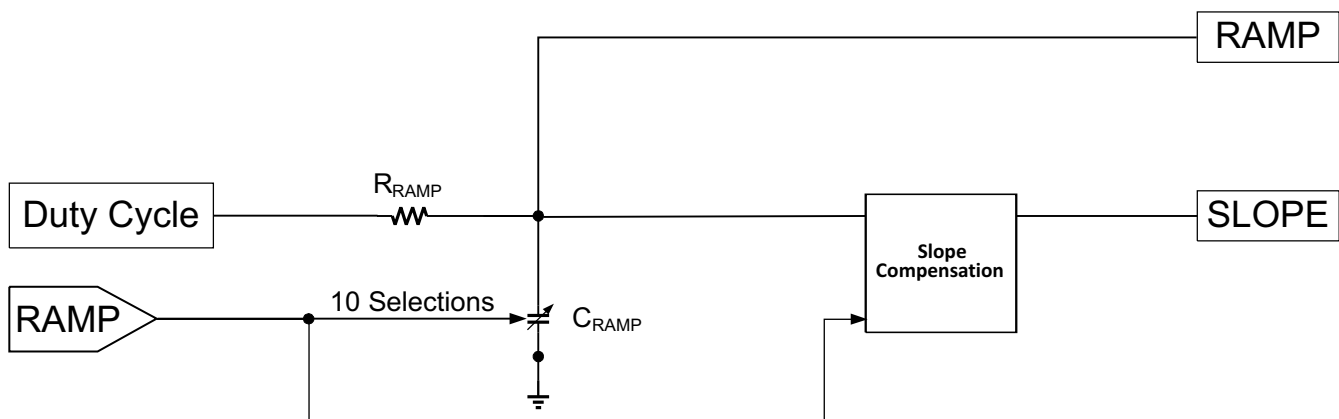
(1) The E48 series resistors with no worse than 1% tolerance are recommended

8.4.5 Pre-Biased Output Start-up

The TPS543B20 device prevent current from being discharged from the output during start-up, when a pre-biased output condition exists. No SW pulses occur until the internal soft-start voltage rises above the error amplifier input voltage, if the output is pre-biased. As soon as the soft-start voltage exceeds the error amplifier input, and SW pulses start, the device limits synchronous rectification after each SW pulse with a narrow on-time. The low-side MOSFET on-time slowly increases on a cycle-by-cycle basis until 128 pulses have been generated and the synchronous rectifier runs fully complementary to the high-side MOSFET. This approach prevents the sinking of current from a pre-biased output, and ensures the output voltage start-up and ramp-to regulation sequences are smooth and monotonic.

8.4.6 Internal Ramp Generator

Internal ramp voltage is generated from duty cycle that contains emulated inductor ripple current information and then feed it back for control loop regulation and optimization according to required output power stage, duty ratio and switching frequency. Internal ramp amplitude is set by RAMP pin by adjusting an internal ramp generation capacitor C_{RAMP} , selected by the resistor connected from MODE pin to GND. For best performance, we recommend ramp signal to be no more than 4 times of output ripple signal for all Low ESR output capacitor (MLCC) applications, or no more than 2 times larger than output ripple signal for regular ESR output capacitor (Pos-cap) applications. For design recommendation, please find the design tool at www.ti.com/WEBENCH.


Figure 13. Internal Ramp Generator

8.4.6.1 Ramp Selections

RAMP pin sets internal ramp amplitude for the control loop. RAMP amplitude is determined by internal RC, selected by the resistor connected from MODE pin to GND, to optimize the control loop. See [Table 3](#).

Table 3. RAMP Pin-strapping Selection

C _{RAMP} (pF)	RESISTOR VALUE (kΩ) ⁽¹⁾
1	0
1.42	8.66
1.94	15.4
2.58	23.7
3.43	34.8
4.57	51.1
6.23	78.7
8.91	121
14.1	187
29.1	Open

(1) The E48 series resistors with tolerance of 1% or less are recommended

8.4.7 Switching Frequency

The converter supports analog frequency selections from 300 kHz to 2 MHz. By connecting a resistor from RT pin to GND.

Switching Frequency Configuration Configuration

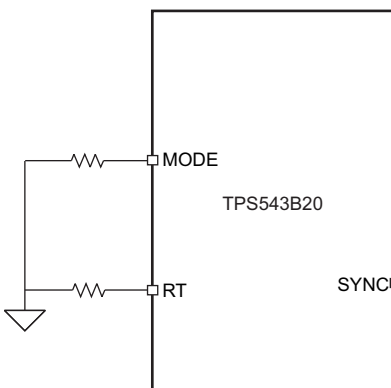


Figure 14. RT Pin Sets the Switching Frequency

Resistor R_{RT} sets the continuous switching frequency selection by

$$R_{RT} = \frac{20 \times 10^9}{f_{SW}} - \frac{f_{SW} \times 2}{2000}$$

where

- R is the resistor from RT pin to GND, in Ω
 - f_{SW} is the desired switching frequency, in Hz
- (1)

8.4.8 Synchronization Configuration

The TPS543B20 device can synchronize to an external clock which must be equal to or higher than internal frequency setting, the external clock should be applied to the SYNC pin. A sudden change in synchronization clock frequency causes an associated control loop response, resulting in an overshoot or undershoot on the output voltage.

8.4.9 Operation Mode

The operation mode and API/Body Brake feature is set by the MODE pin. They are selected by the resistor connected from MODE pin to GND. MODE pin sets the API on/off or trigger point sensitivity of API (1x stands for most sensitive and 4x stands for least sensitive).

Table 4. MODE Pin-strapping Selection

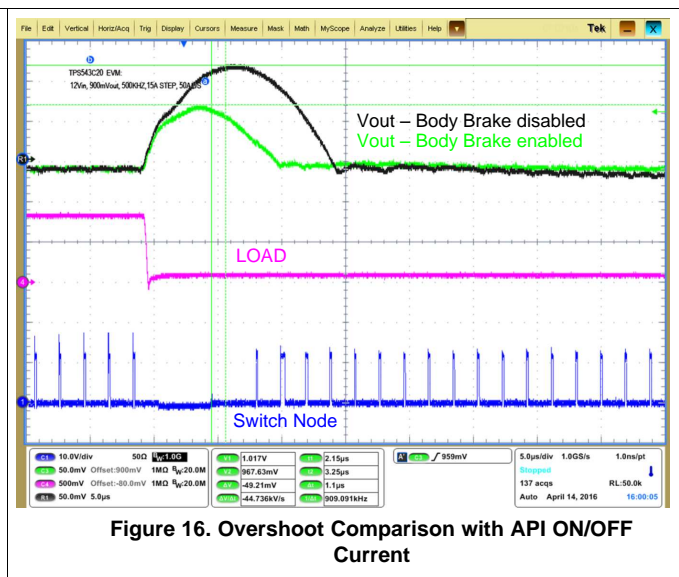
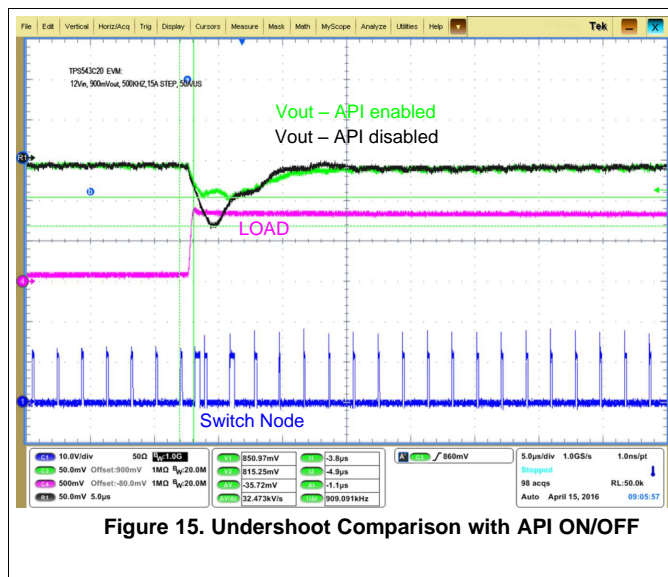
CONTROL MODE SELECTION	API/BODY BRAKE	RESISTOR VALUE (k Ω) ⁽¹⁾	NOTE
API/Body Brake	API OFF BB OFF	Open	<ul style="list-style-type: none"> • Sync pin to receive clock • RT pin to set frequency
	API ON BB OFF	15.4	
	API ON BB ON (API Threshold Setting)	121 (1x)	
		187 (2x)	
		8.66 (3x)	
	78.7 (4x)		

(1) The E48 series resistors with tolerance of 1% or less are recommended

8.4.10 API/BODY Brake

TPS543B20 is a true fixed frequency converter. The major limitation for any fixed frequency converter is that during transient load step up, the converter needs to wait for the next clock cycle to respond to the load change, depending on loop bandwidth design and the timing of load transient, this delay time could cause additional output voltage drop. TPS543B20 implements a special circuitry to improve transient performance. During load step up, the converter senses both the speed and the amplitude of the output voltage change, if the output voltage change is fast and big enough, the converter will issue an additional PWM pulse before the next available clock cycle to stop output voltage from further dropping, thus reducing the undershoot voltage.

During load step down, TPS543B20 implements a body brake function, that turns off both high-side and lowside FET, and allows power to dissipate through the low-side body diode, reducing overshoot. This approach is very effective while having some impact on efficiency during transient. See [Figure 15](#) and [Figure 16](#).



8.4.11 Sense and Over-Current Protection

8.4.11.1 Low-Side MOSFET Overcurrent Protection

The TPS543B20 utilizes ILIM pin to set the OCP level. The ILIM pin should be connected to AGND through the ILIM voltage setting resistor, R_{ILIM}. The ILIM terminal sources I_{ILIM} current, which is around 11.2 μA typically at room temperature, and the ILIM level is set to the OCP ILIM voltage V_{ILIM} as shown in Equation 2. In order to provide both good accuracy and cost effective solution, TPS543B20 supports temperature compensated MOSFET R_{DS(on)} sensing.

$$V_{ILIM}(\text{mV}) = R_{ILIM}(\text{k}\Omega) \times I_{ILIM}(\mu\text{A})$$

Consider R_{DS(on)} variation vs VDD in calculation (2)

Also, TPS543B20 performs both positive and fixed negative inductor current limiting.

The inductor current is monitored by the voltage between GND pin and SW pin during the OFF time. ILIM has 1200 ppm/°C temperature slope to compensate the temperature dependency of the R_{DS(on)}. The GND pin is used as the positive current sensing node.

The device has cycle-by-cycle over-current limiting control. The inductor current is monitored during the OFF state and the controller maintains the OFF state during the period that the inductor current is larger than the overcurrent ILIM level. V_{ILIM} sets the Peak level of the inductor current. Thus, the load current at the overcurrent threshold, I_{OCP}, can be calculated as shown in Equation 3.

$$I_{OCP} = V_{ILIM} / (16 \times R_{DS(on)}) - I_{IND(ripple)} / 2$$

$$= \frac{V_{ILIM}}{16 \times R_{DS(on)}} - \frac{1}{2 \times L \times f_{SW}} \times \frac{(V_{IN} - V_{OUT}) \times V_{OUT}}{V_{IN}}$$

where

- R_{DS(on)} is the on-resistance of the low-side MOSFET. (3)

This equation is valid for VDD ≥ 5 V.

If an overcurrent event is detected in a given switching cycle, the device increments an overcurrent counter. When the device detects three consecutive overcurrent (either high-side or low-side) events, the converter responds, entering continuous restart hiccup. In continuous hiccup mode, the device implements a 7 soft-start cycle time-out, followed by a normal soft-start attempt. When the overcurrent fault clears, normal operation resumes; otherwise, the device detects overcurrent and the process repeats.

8.4.11.2 High-Side MOSFET Overcurrent Protection

The device also implements a fixed high-side MOSFET overcurrent protection to limit peak current, and prevent inductor saturation in the event of a short circuit. The device detects an overcurrent event by sensing the voltage drop across the high-side MOSFET during ON state. If the peak current reaches the IHOSC level on any given cycle, the cycle terminates to prevent the current from increasing any further. High-side MOSFET overcurrent events are counted. If the devices detect three consecutive overcurrent events (high-side or low-side), the converter responds by entering continuous restart hiccup.

8.4.12 Output Overvoltage and Undervoltage Protection

The device includes both output overvoltage protection and output undervoltage protection capability. The devices compare the RSP pin voltage to internal selectable pre-set voltages. If the RSP voltage with respect to RSN voltage rises above the output overvoltage protection threshold, the device terminates normal switching and turns on the low-side MOSFET to discharge the output capacitor and prevent further increases in the output voltage. Then the device enters continuous restart hiccup.

If the RSP pin voltage falls below the undervoltage protection level, after soft-start has completed, the device terminates normal switching and forces both the high-side and low-side MOSFETs off, then enters hiccup time-out delay prior to restart.

8.4.13 Over-Temperature Protection

An internal temperature sensor protects the devices from thermal runaway. The internal thermal shutdown threshold, T_{SD} , is fixed at 165°C typical. When the devices sense a temperature above T_{SD} , power conversion stops until the sensed junction temperature falls by the thermal shutdown hysteresis amount; then, the part starts up again.

8.4.14 RSP/RSN Remote Sense Function

RSP and RSN pins are used for remote sensing purpose. In the case where feedback resistors are required for output voltage programming, the RSP pin should be connected to the mid-point of the resistor divider and the RSN pin should always be connected to the load return.

In the case where feedback resistors are not required as when the VSEL programs the output voltage set point, the RSP pin should be connected to the positive sensing point of the load and the RSN pin should always be connected to the load return. RSP and RSN pins are extremely high-impedance input terminals of the true differential remote sense amplifier. The feedback resistor divider should use resistor values much less than 100 kΩ. A simple rule of thumb is to use a 10-kΩ lower divider resistor and then size the upper resistor to achieve the desired ratio.

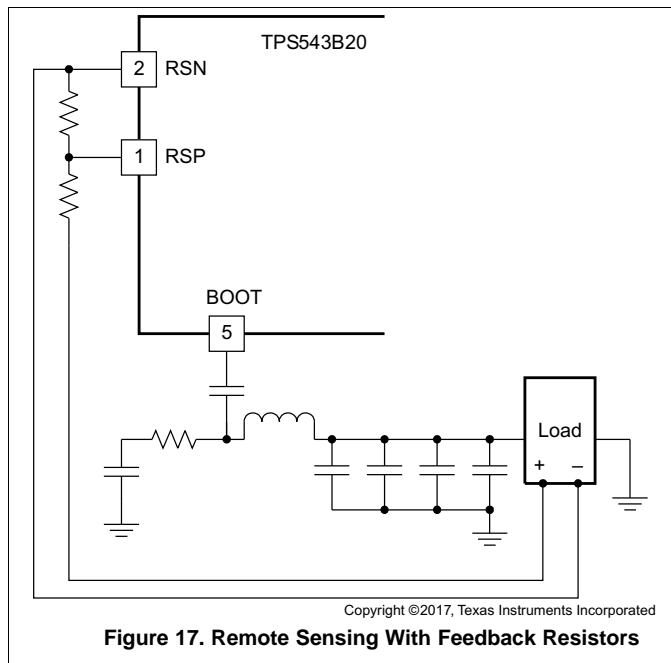


Figure 17. Remote Sensing With Feedback Resistors

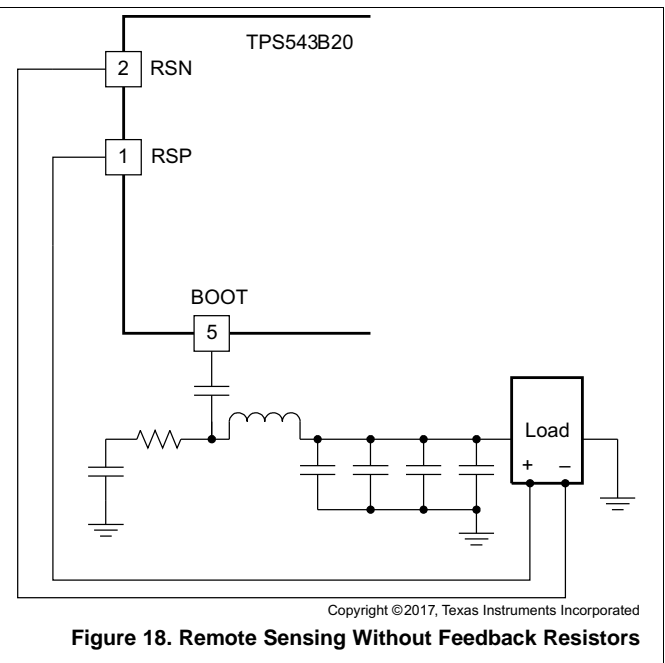


Figure 18. Remote Sensing Without Feedback Resistors

8.4.15 Loss of Synchronization

During sync clock condition, each individual converter will continuously compare current falling edge and previous falling edge, if current falling edge exceeded a 1us delay versus previous pulse, converter will declare a lost sync fault, and response by pulling down ISHARE to shut down all phases.

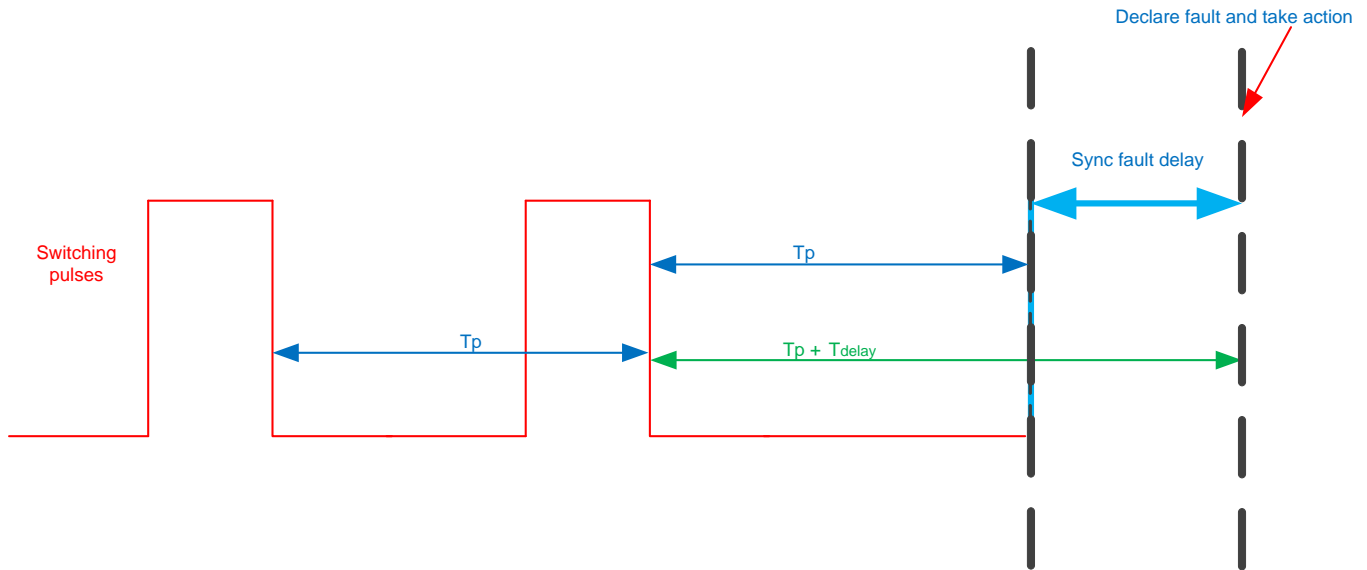


Figure 19. Switching Pulses

9 Application and Implementation

NOTE

Information in the following applications sections is not part of the TI component specification, and TI does not warrant its accuracy or completeness. TI's customers are responsible for determining suitability of components for their purposes. Customers should validate and test their design implementation to confirm system functionality.

9.1 Application Information

The TPS543B20 device is a highly-integrated synchronous step-down DC-DC converter. The device is used to convert a higher DC input voltage to a lower DC output voltage, with a maximum output current of 25 A. Use the following design procedure to select key component values for this device.

9.2 Typical Applications

9.2.1 TPS543B20 Device

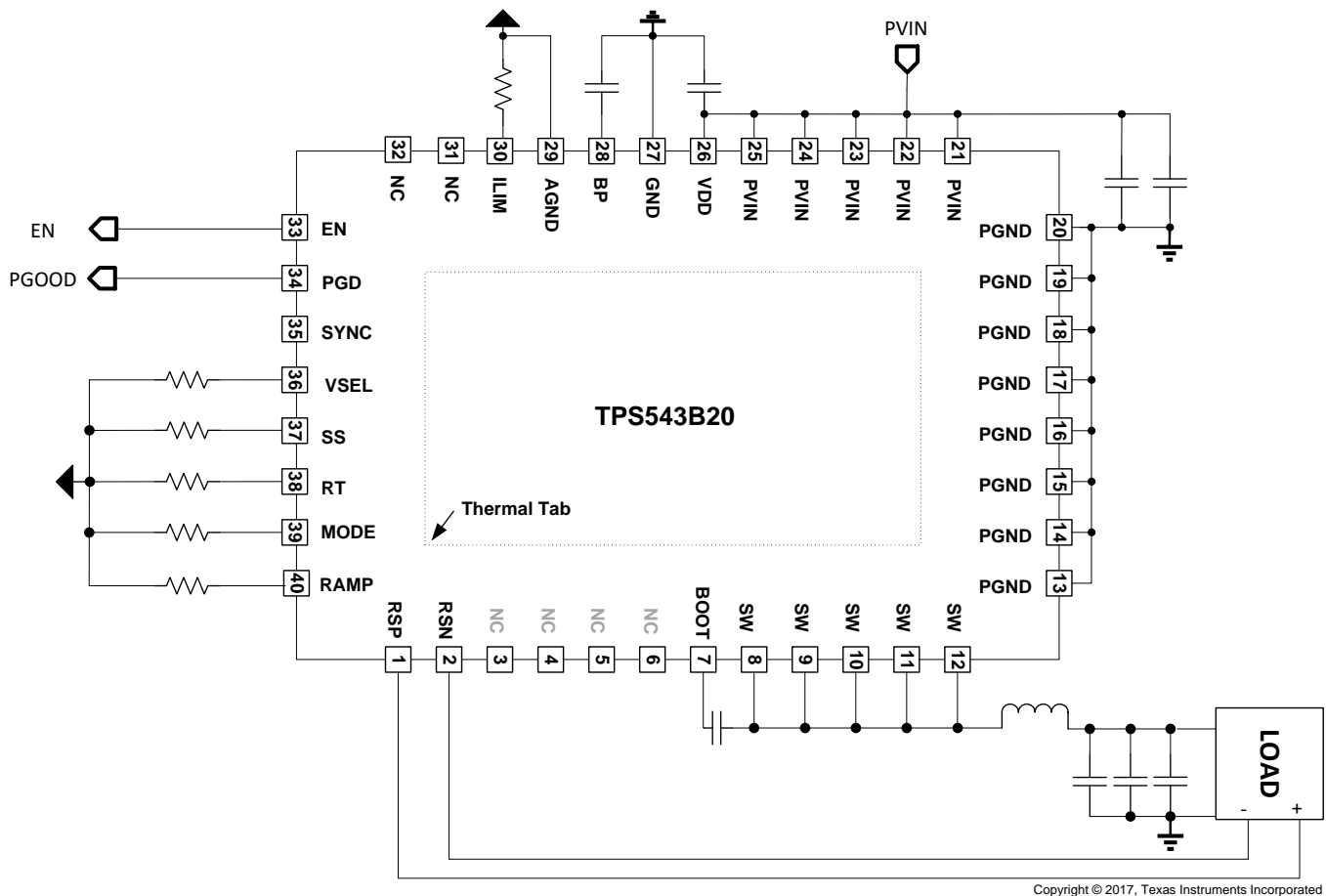


Figure 20. 4.5-V to 19-V Input, 1-V Output, 25-A Converter

9.2.1.1 Design Requirements

For this design example, use the input parameters shown in [Table 5](#).

Table 5. Design Example Specifications

PARAMETER		TEST CONDITION	MIN	TYP	MAX	UNIT
V _{IN}	Input voltage		4	12	19	V
V _{IN(ripple)}	Input ripple voltage	I _{OUT} = 25 A			0.4	V
V _{OUT}	Output voltage			0.9		V
	Line regulation	5 V ≤ V _{IN} ≤ 19 V			0.5%	
	Load regulation	0 V ≤ I _{OUT} ≤ 25 A			0.5%	
V _{PP}	Output ripple voltage	I _{OUT} = 25 A		20		mV
V _{OVER}	Transient response overshoot	I _{STEP} = 10 A		50		mV
V _{UNDER}	Transient response undershoot	I _{STEP} = 10A		50		mV
I _{OUT}	Output current	5 V ≤ V _{IN} ≤ 19 V		20	25	A
t _{SS}	Soft-start time	V _{IN} = 12 V		4		ms
I _{OC}	Overcurrent trip point ⁽¹⁾			30		A
η	Peak Efficiency	I _{OUT} = 10 A, V _{IN} = 12 V, V _{DD} = 5 V		90%		
f _{SW}	Switching frequency		300	500	700	kHz

(1) DC overcurrent level

9.2.1.2 Detailed Design Procedure

9.2.1.2.1 Custom Design With WEBENCH® Tools

[Click here](#) to create a custom design using the TPS543B20 device with the WEBENCH® Power Designer.

1. Start by entering the input voltage (V_{IN}), output voltage (V_{OUT}), and output current (I_{OUT}) requirements.
2. Optimize the design for key parameters such as efficiency, footprint, and cost using the optimizer dial.
3. Compare the generated design with other possible solutions from Texas Instruments.

The WEBENCH Power Designer provides a customized schematic along with a list of materials with real-time pricing and component availability.

In most cases, these actions are available:

- Run electrical simulations to see important waveforms and circuit performance
- Run thermal simulations to understand board thermal performance
- Export customized schematic and layout into popular CAD formats
- Print PDF reports for the design, and share the design with colleagues

Get more information about WEBENCH tools at www.ti.com/WEBENCH.

9.2.1.2.2 Switching Frequency Selection

Select a switching frequency for the TPS543B20. There is a trade off between higher and lower switching frequencies. Higher switching frequencies may produce smaller solution size using lower valued inductors and smaller output capacitors compared to a power supply that switches at a lower frequency. However, the higher switching frequency causes extra switching losses, which decrease efficiency and impact thermal performance. In this design, a moderate switching frequency of 500 kHz achieves both a small solution size and a high efficiency operation is selected. The device supports continuous switching frequency programming; see [Equation 4](#). additional considerations (internal ramp compensation) other than switching frequency need to be included.

$$R_{RT} = \frac{20 \times 10^9}{500 \times 10^3} - 2 \times \frac{500 \times 10^3}{2000} = 39.5 \text{ k}\Omega \quad (4)$$

In this case, a standard resistor value of 40.2 kΩ is selected.

9.2.1.2.3 Inductor Selection

To calculate the value of the output inductor (L), use ΔI_{IND} . The coefficient K_{IND} represents the amount of inductor-ripple current relative to the maximum output current. The output capacitor filters the inductor-ripple current. Therefore, selecting a high inductor-ripple current impacts the selection of the output capacitor because the output capacitor must have a ripple-current rating equal to or greater than the inductor-ripple current. Generally, the K_{IND} should be kept between 0.1 and 0.3 for balanced performance. Using this target ripple current, the required inductor size can be calculated as shown in [Equation 5](#).

$$L = \frac{V_{OUT}}{V_{IN} \times f_{SW}} - \frac{V_{IN} - V_{OUT}}{I_{OUT} \times K_{IND}} = \frac{0.9 \text{ V} \times (12 \text{ V} - 0.9 \text{ V})}{12 \text{ V} \times 500 \text{ kHz} \times 25 \text{ A} \times 0.15} = 444 \text{ nH} \quad (5)$$

A standard inductor value of 470 nH is selected. For this application, Würth 744309047 was used from the web-orderable EVM.

9.2.1.2.4 Input Capacitor Selection

The TPS543B20 devices require a high-quality, ceramic, type X5R or X7R, input decoupling capacitor with a value of at least 1 μF of effective capacitance on the VDD pin, relative to AGND. The power stage input decoupling capacitance (effective capacitance at the PVIN and PGND pins) must be sufficient to supply the high switching currents demanded when the high-side MOSFET switches on, while providing minimal input voltage ripple as a result. This effective capacitance includes any DC bias effects. The voltage rating of the input capacitor must be greater than the maximum input voltage. The capacitor must also have a ripple current rating greater than the maximum input current ripple to the device during full load. The input ripple current can be calculated using [Equation 6](#).

$$I_{CIN(rms)} = I_{OUT(max)} \times \sqrt{\frac{V_{OUT}}{V_{IN}} \times \frac{(V_{IN} - V_{OUT})}{V_{IN}}} = 6.6 \text{ Arms} \quad (6)$$

The minimum input capacitance and ESR values for a given input voltage ripple specification, $V_{IN(ripple)}$, are shown in [Equation 7](#) and [Equation 8](#). The input ripple is composed of a capacitive portion, $V_{RIPPLE(cap)}$, and a resistive portion, $V_{RIPPLE(esr)}$.

$$C_{IN(min)} = \frac{I_{OUT(max)} \times V_{OUT}}{V_{RIPPLE(cap)} \times V_{IN(max)} \times f_{SW}} = 38.5 \mu\text{F} \quad (7)$$

$$ESR_{CIN(max)} = \frac{V_{RIPPLE(ESR)}}{I_{OUT(max)} + \left(\frac{I_{RIPPLE}}{2}\right)} = 7 \text{ m}\Omega \quad (8)$$

The value of a ceramic capacitor varies significantly over temperature and the amount of DC bias applied to the capacitor. The capacitance variations due to temperature can be minimized by selecting a dielectric material that is stable over temperature. X5R and X7R ceramic dielectrics are usually selected for power regulator capacitors because they have a high capacitance to volume ratio and are fairly stable over temperature. The input capacitor must also be selected with the DC bias taken into account. For this example design, a ceramic capacitor with at least a 25-V voltage rating is required to support the maximum input voltage. For this design, allow 0.1-V input ripple for $V_{RIPPLE(cap)}$, and 0.3-V input ripple for $V_{RIPPLE(esr)}$. Using [Equation 7](#) and [Equation 8](#), the minimum input capacitance for this design is 38.5 μF , and the maximum ESR is 9.4 m Ω . For this example, four 22- μF , 25-V ceramic capacitors and one additional 100- μF , 25-V low-ESR polymer capacitors in parallel were selected for the power stage.

9.2.1.2.5 Bootstrap Capacitor Selection

A ceramic capacitor with a value of 0.1 μF must be connected between the BOOT and SW pins for proper operation. It is recommended to use a ceramic capacitor with X5R or better grade dielectric. Use a capacitor with a voltage rating of 25 V or higher.

9.2.1.2.6 BP Pin

Bypass the BP pin to GND with 4.7- μF of capacitance. In order for the regulator to function properly, it is important that these capacitors be localized to the TPS543B20, with low-impedance return paths. See [Power Good and Enable](#) section for more information.

9.2.1.2.7 R-C Snubber and VIN Pin High-Frequency Bypass

Though it is possible to operate the TPS543B20 within absolute maximum ratings without ringing reduction techniques, some designs may require external components to further reduce ringing levels. This example uses two approaches: a high frequency power stage bypass capacitor on the VIN pins, and an R-C snubber between the SW area and GND.

The high-frequency VIN bypass capacitor is a lossless ringing reduction technique which helps minimize the outboard parasitic inductances in the power stage, which store energy during the low-side MOSFET on-time, and discharge once the high-side MOSFET is turned on. For this example twin 2.2-nF, 25-V, 0603-sized high-frequency capacitors are used. The placement of these capacitors is critical to its effectiveness.

Additionally, an R-C snubber circuit is added to this example. To balance efficiency and spike levels, a 1-nF capacitor and a 1-Ω resistor are chosen. In this example a 0805-sized resistor is chosen, which is rated for 0.125 W, nearly twice the estimated power dissipation. See [SLUP100](#) for more information about snubber circuits.

9.2.1.2.8 Output Capacitor Selection

There are three primary considerations for selecting the value of the output capacitor. The output capacitor affects three criteria:

- Stability
- Regulator response to a change in load current or load transient
- Output voltage ripple

These three considerations are important when designing regulators that must operate where the electrical conditions are unpredictable. The output capacitance needs to be selected based on the most stringent of these three criteria.

9.2.1.2.8.1 Response to a Load Transient

The output capacitance must supply the load with the required current when current is not immediately provided by the regulator. When the output capacitor supplies load current, the impedance of the capacitor greatly affects the magnitude of voltage deviation (such as undershoot and overshoot) during the transient.

Use [Equation 9](#) and [Equation 10](#) to estimate the amount of capacitance needed for a given dynamic load step and release.

NOTE

There are other factors that can impact the amount of output capacitance for a specific design, such as ripple and stability.

$$C_{\text{OUT(min_under)}} = \frac{L \times \Delta I_{\text{LOAD(max)}}^2}{2 \times \Delta V_{\text{LOAD(INSERT)}} \times (V_{\text{IN}} - V_{\text{VOUT}})} + \frac{\Delta I_{\text{LOAD(max)}} \times (1 - D) \times t_{\text{SW}}}{\Delta V_{\text{LOAD(INSERT)}}} \quad (9)$$

$$C_{\text{OUT(min_over)}} = \frac{L_{\text{OUT}} \times (\Delta I_{\text{LOAD(max)}})^2}{2 \times \Delta V_{\text{LOAD(release)}} \times V_{\text{OUT}}}$$

where

- $C_{\text{OUT(min_under)}}$ is the minimum output capacitance to meet the undershoot requirement
- $C_{\text{OUT(min_over)}}$ is the minimum output capacitance to meet the overshoot requirement
- D is the duty cycle
- L is the output inductance value (0.47 μH)
- $\Delta I_{\text{LOAD(max)}}$ is the maximum transient step (10 A)
- V_{OUT} is the output voltage value (900 mV)
- t_{SW} is the switching period (2.0 μs)
- V_{IN} is the minimum input voltage for the design (12 V)
- $\Delta V_{\text{LOAD(insert)}}$ is the undershoot requirement (50 mV)
- $\Delta V_{\text{LOAD(release)}}$ is the overshoot requirement (50 mV) (10)

- This example uses a combination of POSCAP and MLCC capacitors to meet the overshoot requirement.

- POSCAP bank #1: 2 x 330 μ F, 2.5 V, 3 m Ω per capacitor
- MLCC bank #2: 3 x 100 μ F, 6.3 V, 1 m Ω per capacitor

9.2.1.2.8.2 Ramp Selection Design to Ensure Stability

Certain criteria is recommended for TPS543B20 to achieve optimized loop stability, bandwidth and switching jitter performance. As a rule of thumb, the internal ramp voltage should be 2~4 times bigger than the output capacitor ripple (capacitive ripple only). TPS543B20 is defined to be ease-of-use, for most applications, we recommend ramp resistor to be 187 k Ω to achieve the optimized jitter and loop response. For detailed design procedure please see the WEBENCH® Power Designer.

9.2.2 Application Curves

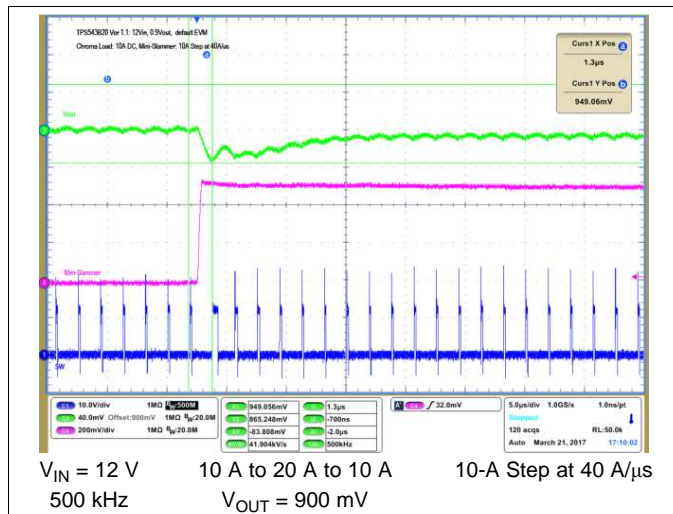


Figure 21. Transient Response When Load Steps Up

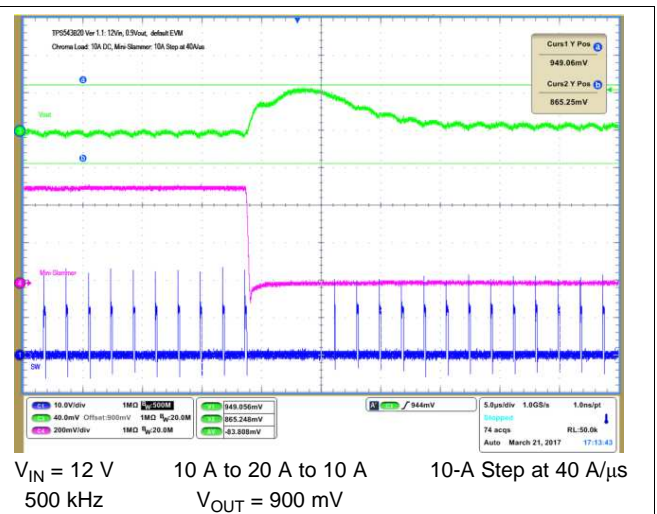


Figure 22. Transient Response When Load Steps Down

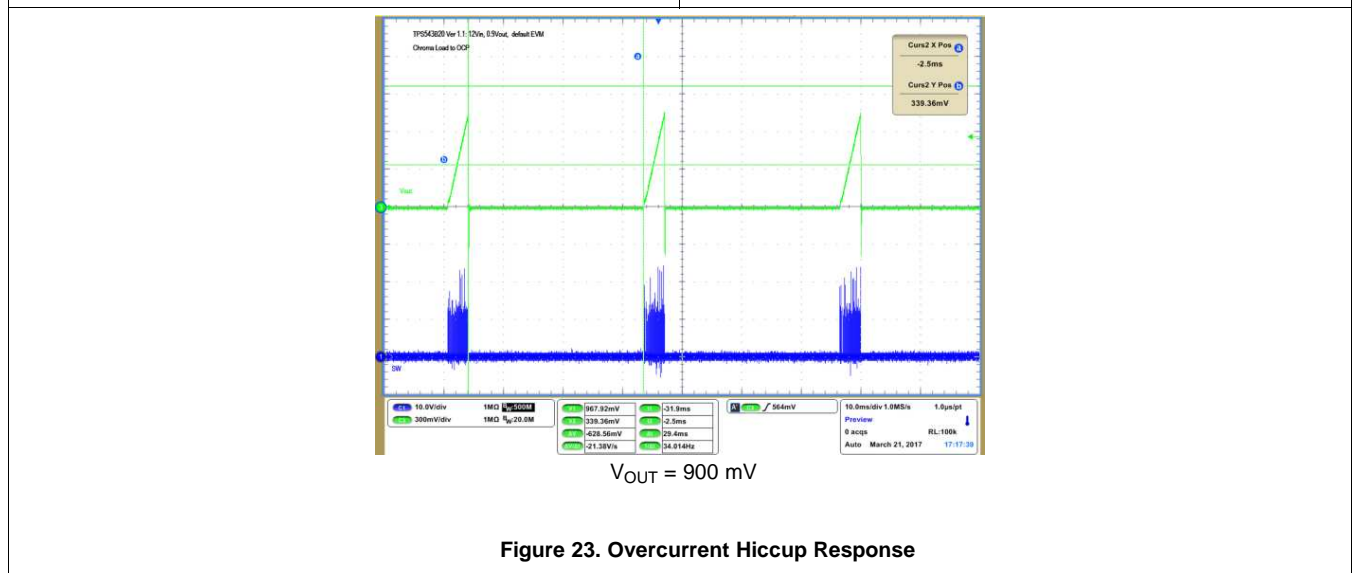


Figure 23. Overcurrent Hiccup Response

10 Power Supply Recommendations

This device is designed to operate from an input voltage supply between 4 V and 19 V. Ensure the supply is well regulated. Proper bypassing of input supplies and internal regulators is also critical for noise performance, as is the quality of the PCB layout and grounding scheme. See the recommendations in the Layout section.

11 Layout

11.1 Layout Guidelines

- It is absolutely critical that all GND pins, including AGND (pin 29), GND (pin 27), and PGND (pins 13, 14, 15, 16, 17, 18, 19, and 20) are connected directly to the thermal pad underneath the device via traces or plane. The number of thermal vias needed to support 40A thermal operation should be as many as possible, in the web orderable EVM design, a total of 23 thermal vias are used. The TPS543B20EVM-799 is available for purchase at ti.com.
- The power components (including input/output capacitors, output inductor and TPS543B20 device) should be placed on one side of the PCB (solder side). At least one or two inner layers/planes should be inserted, connecting to power ground, in order to shield and isolate the small signal traces from noisy power lines.
- Place the VIN decoupling capacitors as close to the PVIN and PGND as possible to minimize the input AC current loop. The high frequency decoupling capacitor (1 nF to 0.1 μ F) should be placed next to the PVIN pin and PGND pin as close as the spacing rule allows. This helps suppressing the switch node ringing.
- Place VDD and BP decoupling capacitors as close to the device pins as possible. Do not use PVIN plane connection for VDD. VDD needs to be tapped off from PVIN with separate trace connection. Ensure to provide GND vias for each decoupling capacitor and make the loop as small as possible.
- The PCB trace defined as switch node, which connects the SW pins and up-stream of the output inductor should be as short and wide as possible. In web orderable EVM design, the SW trace width is 400mil. Use separate via or trace to connect SW node to snubber and bootstrap capacitor. Do not combine these connections.
- All sensitive analog traces and components such as RAMP, RSP, RSN, ILIM, MODE, VSEL and RT should be placed away from any high voltage switch node (itself and others), such as SW and BOOT to avoid noise coupling. In addition, MODE, VSEL, ILIM, RAMP and RT programming resistors should be placed near the device/pins.
- The RSP and RSN pins operate as inputs to a differential remote sense amplifier that operates with very high impedance. It is essential to route the RSP and RSN pins as a pair of diff-traces in Kelvin-sense fashion. Route them directly to either the load sense points (+ and –) or the output bulk capacitors. The internal circuit uses the VOSNS pin for on-time adjustment. It is critical to tie the VOSNS pin directly tied to VOUT (load sense point) for accurate output voltage result.

11.2 Layout Example

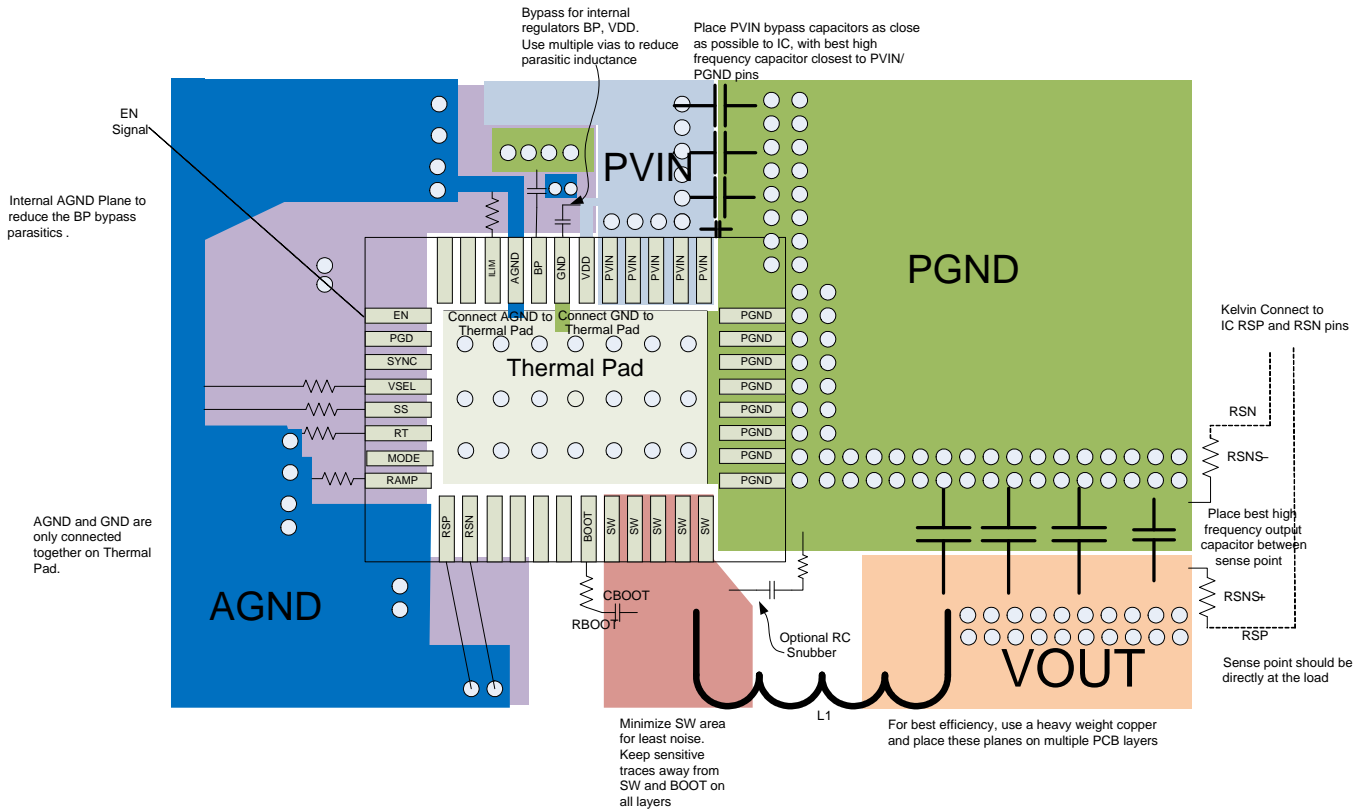
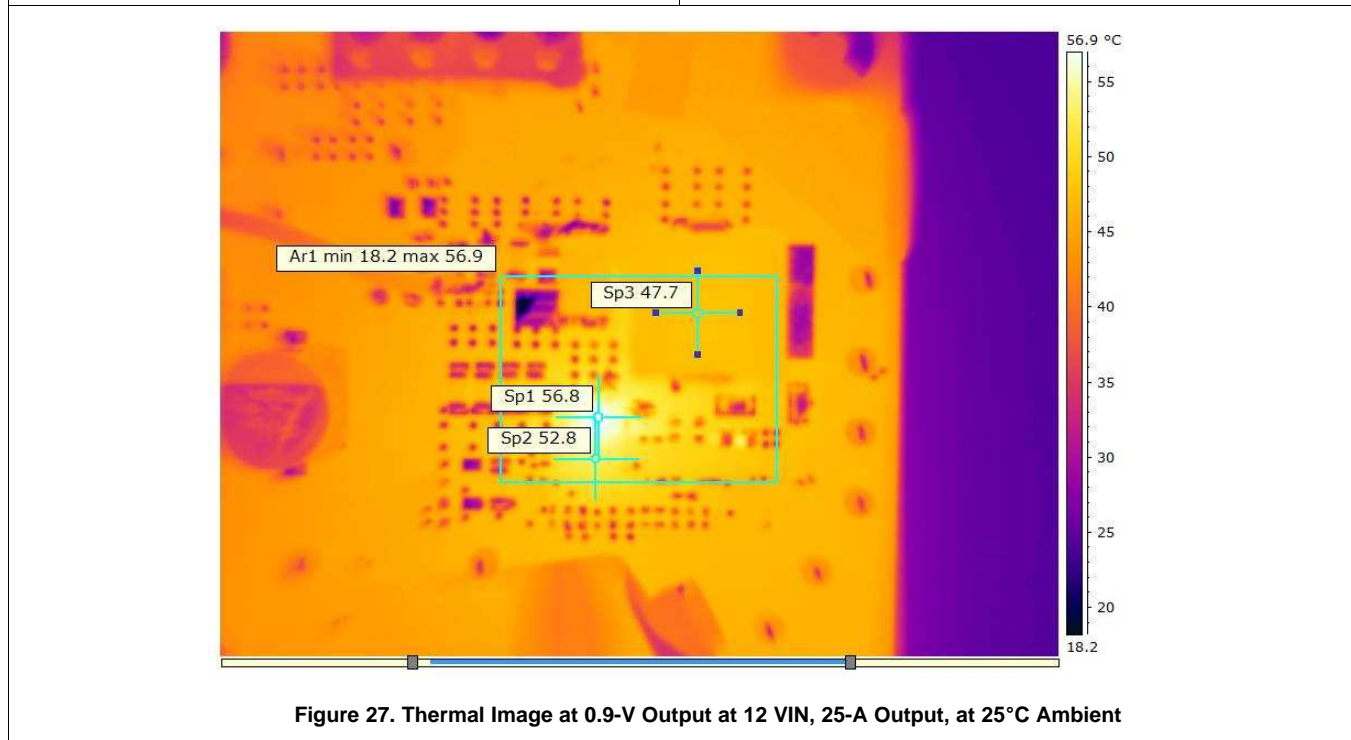
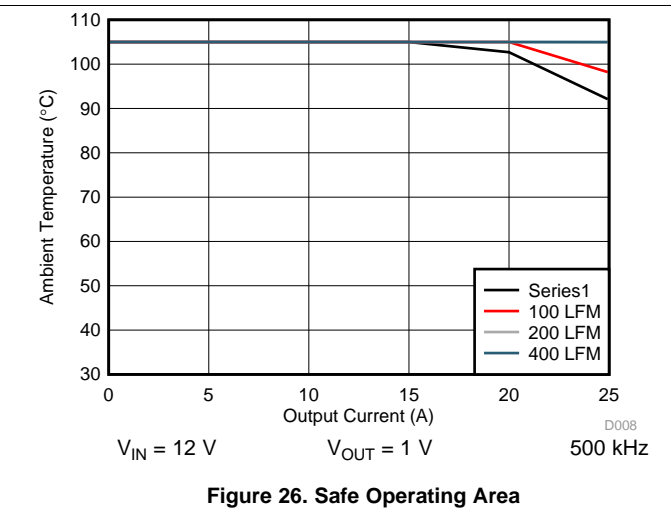
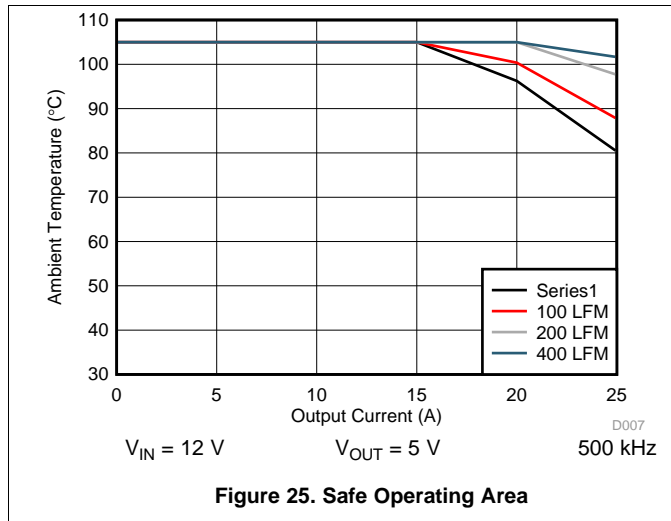


Figure 24. Example Layout

11.3 Package Size, Efficiency and Thermal Performance

The TPS543B20 device is available in a 5 mm x 7 mm, QFN package with 40 power and I/O pins. It employs TI proprietary MCM packaging technology with thermal pad. With a properly designed system layout, applications achieve optimized safe operating area (SOA) performance. The curves shown in Figure 25 and Figure 26 are based on the orderable evaluation module design.



Package Size, Efficiency and Thermal Performance (continued)

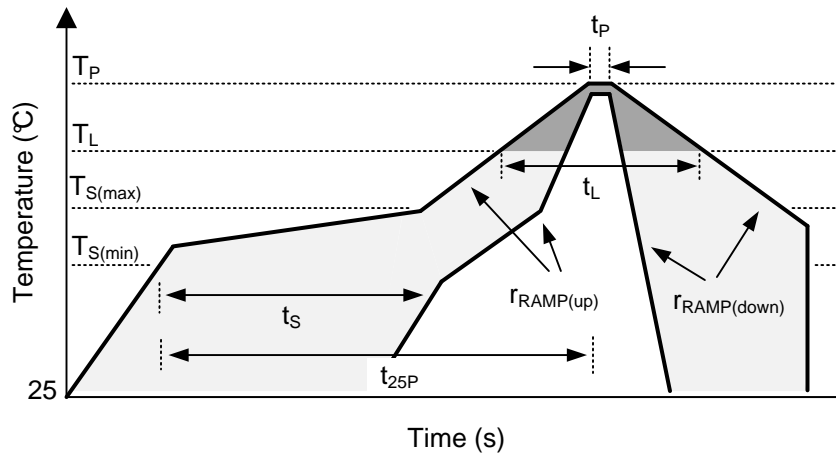


Figure 28. Recommended Reflow Oven Thermal Profile

Table 6. Recommended Thermal Profile Parameters

PARAMETER		MIN	TYP	MAX	UNIT
RAMP UP AND RAMP DOWN					
r _{RAMP(up)}	Average ramp-up rate, T _{S(MAX)} to T _P			3	°C/s
r _{RAMP(down)}	Average ramp-down rate, T _P to T _{S(MAX)}			6	°C/s
PRE-HEAT					
T _S	Pre-heat temperature	150		200	°C
t _S	Pre-heat time, T _{S(min)} to T _{S(max)}	60		180	s
REFLOW					
T _L	Liquidus temperature		217		°C
T _P	Peak temperature			260	°C
t _L	Time maintained above liquidus temperature, T _L	60		150	s
t _P	Time maintained within 5°C of peak temperature, T _P	20		40	s
t _{25P}	Total time from 25°C to T _P			480	s

12 Device and Documentation Support

12.1 Device Support

12.1.1 Development Support

12.1.1.1 Custom Design With WEBENCH® Tools

Click [here](#) to create a custom design using the TPS543B20 device with the WEBENCH® Power Designer.

1. Start by entering the input voltage (V_{IN}), output voltage (V_{OUT}), and output current (I_{OUT}) requirements.
2. Optimize the design for key parameters such as efficiency, footprint, and cost using the optimizer dial.
3. Compare the generated design with other possible solutions from Texas Instruments.

The WEBENCH Power Designer provides a customized schematic along with a list of materials with real-time pricing and component availability.

In most cases, these actions are available:

- Run electrical simulations to see important waveforms and circuit performance
- Run thermal simulations to understand board thermal performance
- Export customized schematic and layout into popular CAD formats
- Print PDF reports for the design, and share the design with colleagues

Get more information about WEBENCH tools at www.ti.com/WEBENCH.

12.1.2 Documentation Support

12.1.2.1 Related Documentation

For related documentation see the following:

- [TPS543B20 25-A Single Phase Synchronous Step-Down Converter, \(SLUUB00\)](#)

12.2 Receiving Notification of Documentation Updates

To receive notification of documentation updates, navigate to the device product folder on ti.com. In the upper right corner, click on *Alert me* to register and receive a weekly digest of any product information that has changed. For change details, review the revision history included in any revised document.

12.3 Community Resources

The following links connect to TI community resources. Linked contents are provided "AS IS" by the respective contributors. They do not constitute TI specifications and do not necessarily reflect TI's views; see TI's [Terms of Use](#).

TI E2E™ Online Community *TI's Engineer-to-Engineer (E2E) Community*. Created to foster collaboration among engineers. At e2e.ti.com, you can ask questions, share knowledge, explore ideas and help solve problems with fellow engineers.

Design Support *TI's Design Support* Quickly find helpful E2E forums along with design support tools and contact information for technical support.

12.4 Trademarks

NexFET, PowerStack, E2E are trademarks of Texas Instruments.
WEBENCH is a registered trademark of Texas Instruments.

12.5 Electrostatic Discharge Caution



These devices have limited built-in ESD protection. The leads should be shorted together or the device placed in conductive foam during storage or handling to prevent electrostatic damage to the MOS gates.

12.6 Glossary

[SLYZ022](#) — *TI Glossary*.

This glossary lists and explains terms, acronyms, and definitions.

13 Mechanical, Packaging, and Orderable Information

The following pages include mechanical, packaging, and orderable information. This information is the most current data available for the designated devices. This data is subject to change without notice and revision of this document. For browser-based versions of this data sheet, refer to the left-hand navigation.

PACKAGING INFORMATION

Orderable Device	Status (1)	Package Type	Package Drawing	Pins	Package Qty	Eco Plan (2)	Lead/Ball Finish (6)	MSL Peak Temp (3)	Op Temp (°C)	Device Marking (4/5)	Samples
TPS543B20RVFR	PREVIEW	LQFN-CLIP	RVF	40	2500	TBD	Call TI	Call TI	-40 to 125		
TPS543B20RVFT	PREVIEW	LQFN-CLIP	RVF	40	250	TBD	Call TI	Call TI	-40 to 125		

(1) The marketing status values are defined as follows:

ACTIVE: Product device recommended for new designs.

LIFEBUY: TI has announced that the device will be discontinued, and a lifetime-buy period is in effect.

NRND: Not recommended for new designs. Device is in production to support existing customers, but TI does not recommend using this part in a new design.

PREVIEW: Device has been announced but is not in production. Samples may or may not be available.

OBSOLETE: TI has discontinued the production of the device.

(2) **RoHS:** TI defines "RoHS" to mean semiconductor products that are compliant with the current EU RoHS requirements for all 10 RoHS substances, including the requirement that RoHS substance do not exceed 0.1% by weight in homogeneous materials. Where designed to be soldered at high temperatures, "RoHS" products are suitable for use in specified lead-free processes. TI may reference these types of products as "Pb-Free".

RoHS Exempt: TI defines "RoHS Exempt" to mean products that contain lead but are compliant with EU RoHS pursuant to a specific EU RoHS exemption.

Green: TI defines "Green" to mean the content of Chlorine (Cl) and Bromine (Br) based flame retardants meet JS709B low halogen requirements of <=1000ppm threshold. Antimony trioxide based flame retardants must also meet the <=1000ppm threshold requirement.

(3) MSL, Peak Temp. - The Moisture Sensitivity Level rating according to the JEDEC industry standard classifications, and peak solder temperature.

(4) There may be additional marking, which relates to the logo, the lot trace code information, or the environmental category on the device.

(5) Multiple Device Markings will be inside parentheses. Only one Device Marking contained in parentheses and separated by a "~" will appear on a device. If a line is indented then it is a continuation of the previous line and the two combined represent the entire Device Marking for that device.

(6) Lead/Ball Finish - Orderable Devices may have multiple material finish options. Finish options are separated by a vertical ruled line. Lead/Ball Finish values may wrap to two lines if the finish value exceeds the maximum column width.

Important Information and Disclaimer: The information provided on this page represents TI's knowledge and belief as of the date that it is provided. TI bases its knowledge and belief on information provided by third parties, and makes no representation or warranty as to the accuracy of such information. Efforts are underway to better integrate information from third parties. TI has taken and continues to take reasonable steps to provide representative and accurate information but may not have conducted destructive testing or chemical analysis on incoming materials and chemicals. TI and TI suppliers consider certain information to be proprietary, and thus CAS numbers and other limited information may not be available for release.

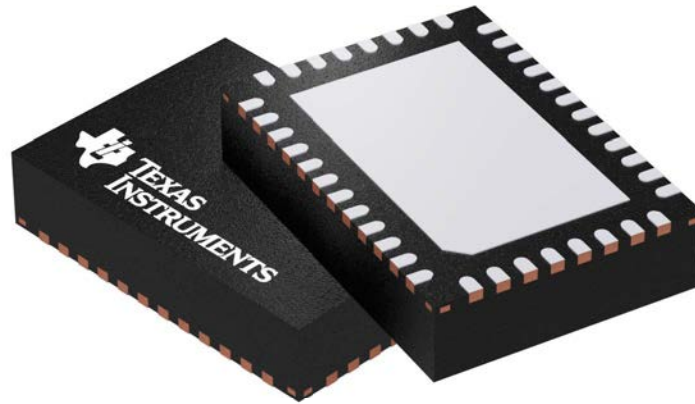
In no event shall TI's liability arising out of such information exceed the total purchase price of the TI part(s) at issue in this document sold by TI to Customer on an annual basis.

GENERIC PACKAGE VIEW

RVF 40

LQFN-CLIP - 1.52 mm max height

PLASTIC QUAD FLATPACK - NO LEAD



Images above are just a representation of the package family, actual package may vary.
Refer to the product data sheet for package details.

4211383/D

IMPORTANT NOTICE

Texas Instruments Incorporated (TI) reserves the right to make corrections, enhancements, improvements and other changes to its semiconductor products and services per JESD46, latest issue, and to discontinue any product or service per JESD48, latest issue. Buyers should obtain the latest relevant information before placing orders and should verify that such information is current and complete.

TI's published terms of sale for semiconductor products (<http://www.ti.com/sc/docs/stdterms.htm>) apply to the sale of packaged integrated circuit products that TI has qualified and released to market. Additional terms may apply to the use or sale of other types of TI products and services.

Reproduction of significant portions of TI information in TI data sheets is permissible only if reproduction is without alteration and is accompanied by all associated warranties, conditions, limitations, and notices. TI is not responsible or liable for such reproduced documentation. Information of third parties may be subject to additional restrictions. Resale of TI products or services with statements different from or beyond the parameters stated by TI for that product or service voids all express and any implied warranties for the associated TI product or service and is an unfair and deceptive business practice. TI is not responsible or liable for any such statements.

Buyers and others who are developing systems that incorporate TI products (collectively, "Designers") understand and agree that Designers remain responsible for using their independent analysis, evaluation and judgment in designing their applications and that Designers have full and exclusive responsibility to assure the safety of Designers' applications and compliance of their applications (and of all TI products used in or for Designers' applications) with all applicable regulations, laws and other applicable requirements. Designer represents that, with respect to their applications, Designer has all the necessary expertise to create and implement safeguards that (1) anticipate dangerous consequences of failures, (2) monitor failures and their consequences, and (3) lessen the likelihood of failures that might cause harm and take appropriate actions. Designer agrees that prior to using or distributing any applications that include TI products, Designer will thoroughly test such applications and the functionality of such TI products as used in such applications.

TI's provision of technical, application or other design advice, quality characterization, reliability data or other services or information, including, but not limited to, reference designs and materials relating to evaluation modules, (collectively, "TI Resources") are intended to assist designers who are developing applications that incorporate TI products; by downloading, accessing or using TI Resources in any way, Designer (individually or, if Designer is acting on behalf of a company, Designer's company) agrees to use any particular TI Resource solely for this purpose and subject to the terms of this Notice.

TI's provision of TI Resources does not expand or otherwise alter TI's applicable published warranties or warranty disclaimers for TI products, and no additional obligations or liabilities arise from TI providing such TI Resources. TI reserves the right to make corrections, enhancements, improvements and other changes to its TI Resources. TI has not conducted any testing other than that specifically described in the published documentation for a particular TI Resource.

Designer is authorized to use, copy and modify any individual TI Resource only in connection with the development of applications that include the TI product(s) identified in such TI Resource. NO OTHER LICENSE, EXPRESS OR IMPLIED, BY ESTOPPEL OR OTHERWISE TO ANY OTHER TI INTELLECTUAL PROPERTY RIGHT, AND NO LICENSE TO ANY TECHNOLOGY OR INTELLECTUAL PROPERTY RIGHT OF TI OR ANY THIRD PARTY IS GRANTED HEREIN, including but not limited to any patent right, copyright, mask work right, or other intellectual property right relating to any combination, machine, or process in which TI products or services are used. Information regarding or referencing third-party products or services does not constitute a license to use such products or services, or a warranty or endorsement thereof. Use of TI Resources may require a license from a third party under the patents or other intellectual property of the third party, or a license from TI under the patents or other intellectual property of TI.

TI RESOURCES ARE PROVIDED "AS IS" AND WITH ALL FAULTS. TI DISCLAIMS ALL OTHER WARRANTIES OR REPRESENTATIONS, EXPRESS OR IMPLIED, REGARDING RESOURCES OR USE THEREOF, INCLUDING BUT NOT LIMITED TO ACCURACY OR COMPLETENESS, TITLE, ANY EPIDEMIC FAILURE WARRANTY AND ANY IMPLIED WARRANTIES OF MERCHANTABILITY, FITNESS FOR A PARTICULAR PURPOSE, AND NON-INFRINGEMENT OF ANY THIRD PARTY INTELLECTUAL PROPERTY RIGHTS. TI SHALL NOT BE LIABLE FOR AND SHALL NOT DEFEND OR INDEMNIFY DESIGNER AGAINST ANY CLAIM, INCLUDING BUT NOT LIMITED TO ANY INFRINGEMENT CLAIM THAT RELATES TO OR IS BASED ON ANY COMBINATION OF PRODUCTS EVEN IF DESCRIBED IN TI RESOURCES OR OTHERWISE. IN NO EVENT SHALL TI BE LIABLE FOR ANY ACTUAL, DIRECT, SPECIAL, COLLATERAL, INDIRECT, PUNITIVE, INCIDENTAL, CONSEQUENTIAL OR EXEMPLARY DAMAGES IN CONNECTION WITH OR ARISING OUT OF TI RESOURCES OR USE THEREOF, AND REGARDLESS OF WHETHER TI HAS BEEN ADVISED OF THE POSSIBILITY OF SUCH DAMAGES.

Unless TI has explicitly designated an individual product as meeting the requirements of a particular industry standard (e.g., ISO/TS 16949 and ISO 26262), TI is not responsible for any failure to meet such industry standard requirements.

Where TI specifically promotes products as facilitating functional safety or as compliant with industry functional safety standards, such products are intended to help enable customers to design and create their own applications that meet applicable functional safety standards and requirements. Using products in an application does not by itself establish any safety features in the application. Designers must ensure compliance with safety-related requirements and standards applicable to their applications. Designer may not use any TI products in life-critical medical equipment unless authorized officers of the parties have executed a special contract specifically governing such use. Life-critical medical equipment is medical equipment where failure of such equipment would cause serious bodily injury or death (e.g., life support, pacemakers, defibrillators, heart pumps, neurostimulators, and implantables). Such equipment includes, without limitation, all medical devices identified by the U.S. Food and Drug Administration as Class III devices and equivalent classifications outside the U.S.

TI may expressly designate certain products as completing a particular qualification (e.g., Q100, Military Grade, or Enhanced Product). Designers agree that it has the necessary expertise to select the product with the appropriate qualification designation for their applications and that proper product selection is at Designers' own risk. Designers are solely responsible for compliance with all legal and regulatory requirements in connection with such selection.

Designer will fully indemnify TI and its representatives against any damages, costs, losses, and/or liabilities arising out of Designer's non-compliance with the terms and provisions of this Notice.