

## TLV354x 200-MHz, Rail-to-Rail I/O, CMOS Operational Amplifiers for Cost-Sensitive Systems

### 1 Features

- Wide-Bandwidth Amplifier for Cost-Sensitive Systems
- Unity-Gain Bandwidth: 200 MHz
- High Slew Rate: 150 V/ $\mu$ s
- Low Noise: 7.5 nV/ $\sqrt{\text{Hz}}$
- Rail-to-Rail I/O
- High Output Current: > 100 mA
- Excellent Video Performance:
  - Diff Gain: 0.02%, Diff Phase: 0.09°
  - 0.1-dB Gain Flatness: 40 MHz
- Low Input Bias Current: 3 pA
- Quiescent Current: 5.2 mA
- Thermal Shutdown
- Supply Range: 2.5 V to 5.5 V

### 2 Applications

- High-Resolution ADC Driver Amplifiers
- IR Touch
- Low-Voltage, High-Frequency Signal Processing
- Video Processing
- Base Transceiver Stations
- Optical Networking, Tunable Lasers
- Photodiode Transimpedance Amplifiers
- Barcode Scanners
- Fast Current-Sensing Amplifiers
- Ultrasound Imaging

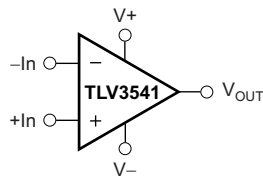


Figure 1. Simplified Schematic

### 3 Description

The TLV3541, TLV3542 and TLV3544 are single-, dual-, and quad-channel, low-power (5.2-mA per channel), high-speed, unity-gain stable, rail-to-rail input/output operational amplifiers (op amps) designed for video and other applications that require wide bandwidth.

Consuming only 6.5 mA (maximum) of supply current, these devices feature 200-MHz gain-bandwidth product, 150-V/ $\mu$ s slew rate, and a low 7.5 nV/ $\sqrt{\text{Hz}}$  of input noise at  $f = 1$  MHz. The combination of high bandwidth, high slew rate, and low noise make the TLV354x family suitable for low voltage, high-speed signal conditioning systems.

The TLV354x series of op amps are optimized for operation on single or dual supplies as low as 2.5 V ( $\pm 1.25$  V) and up to 5.5 V ( $\pm 2.75$  V). Common-mode input range extends beyond the supplies. The output swing is within 100 mV of the rails, and supports a wide dynamic range.

The TLV354x devices are specified from  $-40^{\circ}\text{C}$  to  $+125^{\circ}\text{C}$ . The TLV354x family can be used as a plug-in replacement for many commercially available wide bandwidth op amps.

#### Device Information<sup>(1)</sup>

PART NUMBER	PACKAGE	BODY SIZE (NOM)
TLV3541	SOIC (8)	3.91 mm x 4.90 mm
	SOT-23 (5)	2.90 mm x 1.60 mm
TLV3542	SOIC (8)	3.91 mm x 4.90 mm
	VSSOP (8)	3.00 mm x 3.00 mm
TLV3544	SOIC (14)	8.65 mm x 3.91 mm
	TSSOP (14)	5.00 mm x 4.40 mm

(1) For all available packages, see the orderable addendum at the end of the data sheet.



## Table of Contents

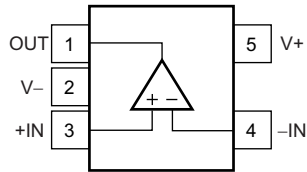
<b>1</b>	<b>Features</b> .....	<b>1</b>	<b>8</b>	<b>Application and Implementation</b> .....	<b>19</b>
<b>2</b>	<b>Applications</b> .....	<b>1</b>	8.1	Application Information.....	19
<b>3</b>	<b>Description</b> .....	<b>1</b>	8.2	Typical Application .....	19
<b>4</b>	<b>Revision History</b> .....	<b>2</b>	8.3	System Examples .....	20
<b>5</b>	<b>Pin Configuration and Functions</b> .....	<b>3</b>	<b>9</b>	<b>Power Supply Recommendations</b> .....	<b>21</b>
<b>6</b>	<b>Specifications</b> .....	<b>5</b>	9.1	Input and ESD Protection .....	21
6.1	Absolute Maximum Ratings .....	5	<b>10</b>	<b>Layout</b> .....	<b>22</b>
6.2	ESD Ratings.....	5	10.1	Layout Guidelines .....	22
6.3	Recommended Operating Conditions.....	5	10.2	Layout Example .....	22
6.4	Thermal Information: TLV3541 .....	6	<b>11</b>	<b>Device and Documentation Support</b> .....	<b>23</b>
6.5	Thermal Information: TLV3542 .....	6	11.1	Documentation Support .....	23
6.6	Thermal Information: TLV3544 .....	6	11.2	Related Links .....	23
6.7	Electrical Characteristics: $V_S = 2.7\text{ V to }5.5\text{ V Single-Supply}$ .....	7	11.3	Receiving Notification of Documentation Updates .....	23
6.8	Typical Characteristics .....	9	11.4	Community Resources.....	23
<b>7</b>	<b>Detailed Description</b> .....	<b>13</b>	11.5	Trademarks .....	23
7.1	Overview .....	13	11.6	Electrostatic Discharge Caution.....	23
7.2	Functional Block Diagram .....	13	11.7	Glossary .....	23
7.3	Feature Description.....	14	<b>12</b>	<b>Mechanical, Packaging, and Orderable Information</b> .....	<b>24</b>
7.4	Device Functional Modes.....	18			

## 4 Revision History

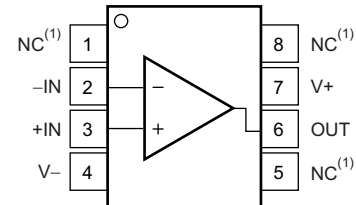
DATE	REVISION	NOTES
October 2016	*	Initial release.

## 5 Pin Configuration and Functions

**TLV3541: DBV Package  
5-Pin SOT-23  
Top View**



**TLV3541: D Package  
8-Pin SOIC  
Top View**

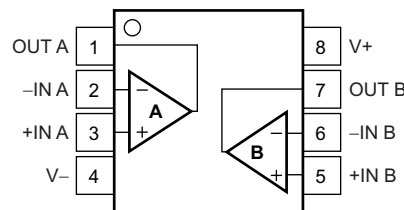


(1) NC means no internal connection.

**Pin Functions: TLV3541**

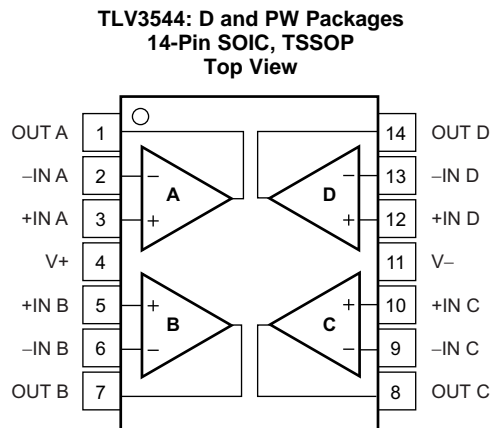
NAME	PIN		I/O	DESCRIPTION
	DBV (SOT-23)	D (SOIC)		
-IN	4	2	I	Inverting input
+IN	3	3	I	Noninverting input
NC	—	1, 5, 8	—	No internal connection (can be left floating)
OUT	1	6	O	Output
V-	2	4	—	Negative (lowest) supply
V+	5	7	—	Positive (highest) supply

**TLV3542: DGK and D Packages  
8-Pin VSSOP, SOIC  
Top View**



**Pin Functions: TLV3542**

NAME	PIN		I/O	DESCRIPTION
	NO.			
-IN A	2		I	Inverting input, channel A
+IN A	3		I	Noninverting input, channel A
-IN B	6		I	Inverting input, channel B
+IN B	5		I	Noninverting input, channel B
OUT A	1		O	Output, channel A
OUT B	7		O	Output, channel B
V-	4		—	Negative (lowest) supply
V+	8		—	Positive (highest) supply


**Pin Functions: TLV3544**

NAME	PIN		I/O	DESCRIPTION
	TLV3544			
	D (SOIC)	PW (TSSOP)		
-IN A	2	2	I	Inverting input, channel A
-IN B	6	6	I	Inverting input, channel B
-IN C	9	9	I	Inverting input, channel C
-IN D	13	13	I	Inverting input, channel D
+IN A	3	3	I	Noninverting input, channel A
+IN B	5	5	I	Noninverting input, channel B
+IN C	10	10	I	Noninverting input, channel C
+IN D	12	12	I	Noninverting input, channel D
OUT A	1	1	O	Output, channel A
OUT B	7	7	O	Output, channel B
OUT C	8	8	O	Output, channel C
OUT D	14	14	O	Output, channel D
V-	11	11	—	Negative (lowest) supply
V+	4	4	—	Positive (highest) supply

## 6 Specifications

### 6.1 Absolute Maximum Ratings

over operating free-air temperature range (unless otherwise noted)<sup>(1)</sup>

		MIN	MAX	UNIT
Voltage	Supply voltage, V+ to V-		7.5	V
	Signal input terminals <sup>(2)</sup>	(V-) – (0.5)	(V+) + 0.5	V
Current	Signal input terminals <sup>(2)</sup>	–10	10	mA
	Output short circuit <sup>(3)</sup>	Continuous		
Temperature	Operating, T <sub>A</sub>	–55	150	°C
	Junction, T <sub>J</sub>	–65	150	°C
	Storage, T <sub>stg</sub>		150	°C

- (1) Stresses beyond those listed under *Absolute Maximum Ratings* may cause permanent damage to the device. These are stress ratings only, which do not imply functional operation of the device at these or any other conditions beyond those indicated under *Recommended Operating Conditions*. Exposure to absolute-maximum-rated conditions for extended periods may affect device reliability.
- (2) Input pins are diode-clamped to the power-supply rails. Input signals that can swing more than 0.5 V beyond the supply rails must be current limited to 10 mA or less.
- (3) Short-circuit to ground, one amplifier per package.

### 6.2 ESD Ratings

		VALUE	UNIT
V <sub>(ESD)</sub> Electrostatic discharge	Human-body model (HBM), per ANSI/ESDA/JEDEC JS-001 <sup>(1)</sup>	1000	V
	Charged-device model (CDM), per JEDEC specification JESD22-C101 <sup>(2)</sup>	250	

- (1) JEDEC document JEP155 states that 500-V HBM allows safe manufacturing with a standard ESD control process.
- (2) JEDEC document JEP157 states that 250-V CDM allows safe manufacturing with a standard ESD control process.

### 6.3 Recommended Operating Conditions

over operating free-air temperature range (unless otherwise noted)

		MIN	NOM	MAX	UNIT
V <sub>S</sub>	Supply voltage, V- to V+	2.5		5.5	V
	Specified temperature range	–40		125	°C

## 6.4 Thermal Information: TLV3541

THERMAL METRIC <sup>(1)</sup>		TLV3541		UNIT
		D (SOIC)	DBV (SOT-23)	
		8 PINS	5 PINS	
$R_{\theta JA}$	Junction-to-ambient thermal resistance	123.8	216.3	°C/W
$R_{\theta JC(top)}$	Junction-to-case (top) thermal resistance	68.7	84.3	°C/W
$R_{\theta JB}$	Junction-to-board thermal resistance	64.5	43.1	°C/W
$\Psi_{JT}$	Junction-to-top characterization parameter	23.0	3.8	°C/W
$\Psi_{JB}$	Junction-to-board characterization parameter	64.0	42.3	°C/W
$R_{\theta JC(bot)}$	Junction-to-case (bottom) thermal resistance	N/A	N/A	°C/W

(1) For more information about traditional and new thermal metrics, see [Semiconductor and IC Package Thermal Metrics](#) (SPRA953).

## 6.5 Thermal Information: TLV3542

THERMAL METRIC <sup>(1)</sup>		TLV3542		UNIT
		D (SOIC)	DGK (VSSOP)	
		8 PINS	8 PINS	
$R_{\theta JA}$	Junction-to-ambient thermal resistance	113.9	175.9	°C/W
$R_{\theta JC(top)}$	Junction-to-case (top) thermal resistance	60.4	67.8	°C/W
$R_{\theta JB}$	Junction-to-board thermal resistance	54.1	97.1	°C/W
$\Psi_{JT}$	Junction-to-top characterization parameter	17.1	9.3	°C/W
$\Psi_{JB}$	Junction-to-board characterization parameter	53.6	95.5	°C/W
$R_{\theta JC(bot)}$	Junction-to-case (bottom) thermal resistance	N/A	N/A	°C/W

(1) For more information about traditional and new thermal metrics, see [Semiconductor and IC Package Thermal Metrics](#) (SPRA953).

## 6.6 Thermal Information: TLV3544

THERMAL METRIC <sup>(1)</sup>		TLV3544		UNIT
		D (SOIC)	PW (TSSOP)	
		14 PINS	14 PINS	
$R_{\theta JA}$	Junction-to-ambient thermal resistance	83.8	92.6	°C/W
$R_{\theta JC(top)}$	Junction-to-case (top) thermal resistance	70.7	27.5	°C/W
$R_{\theta JB}$	Junction-to-board thermal resistance	59.5	33.6	°C/W
$\Psi_{JT}$	Junction-to-top characterization parameter	11.6	1.9	°C/W
$\Psi_{JB}$	Junction-to-board characterization parameter	37.7	33.1	°C/W
$R_{\theta JC(bot)}$	Junction-to-case (bottom) thermal resistance	N/A	N/A	°C/W

(1) For more information about traditional and new thermal metrics, see [Semiconductor and IC Package Thermal Metrics](#) (SPRA953).

## 6.7 Electrical Characteristics: $V_S = 2.7\text{ V to }5.5\text{ V}$ Single-Supply

at  $T_A = 25^\circ\text{C}$ ,  $R_F = 0\ \Omega$ ,  $R_L = 1\ \text{k}\Omega$ , and connected to  $V_S / 2$  (unless otherwise noted)

PARAMETER		TEST CONDITIONS	MIN	TYP	MAX	UNIT
<b>OFFSET VOLTAGE</b>						
$V_{OS}$	Input offset voltage	$V_S = 5\text{ V}$ , at $T_A = 25^\circ\text{C}$		$\pm 2$	$\pm 10$	mV
$dV_{OS}/dT$	Input offset voltage vs temperature	$V_S = 5\text{ V}$ , at $T_A = -40^\circ\text{C}$ to $+125^\circ\text{C}$		$\pm 4.5$		$\mu\text{V}/^\circ\text{C}$
PSRR	Input offset voltage vs power supply	$V_S = 2.7\text{ V to }5.5\text{ V}$ , $V_{CM} = (V_S / 2) - 0.55\text{ V}$	60	70		dB
<b>INPUT BIAS CURRENT</b>						
$I_B$	Input bias current			3		pA
$I_{OS}$	Input offset current			$\pm 1$		pA
<b>NOISE</b>						
$e_n$	Input voltage noise density	$f = 1\text{ MHz}$		7.5		$\text{nV}/\sqrt{\text{Hz}}$
$i_n$	Current noise density	$f = 1\text{ MHz}$		50		$\text{fA}/\sqrt{\text{Hz}}$
<b>INPUT VOLTAGE RANGE</b>						
$V_{CM}$	Common-mode voltage range		$(V-) - 0.1$		$(V+) + 0.1$	V
CMRR	Common-mode rejection ratio	$V_S = 5.5\text{ V}$ , $-0.1\text{ V} < V_{CM} < 3.5\text{ V}$ , at $T_A = 25^\circ\text{C}$	66	80		dB
		$V_S = 5.5\text{ V}$ , $-0.1\text{ V} < V_{CM} < 5.6\text{ V}$ , at $T_A = 25^\circ\text{C}$	56	68		dB
<b>INPUT IMPEDANCE</b>						
	Differential			$10^{13} \parallel 2$		$\Omega \parallel \text{pF}$
	Common-mode			$10^{13} \parallel 2$		$\Omega \parallel \text{pF}$
<b>OPEN-LOOP GAIN</b>						
$A_{OL}$	Open-loop gain	$V_S = 5\text{ V}$ , $0.3\text{ V} < V_O < 4.7\text{ V}$ , at $T_A = 25^\circ\text{C}$	92	108		dB
<b>FREQUENCY RESPONSE</b>						
$f_{-3\text{dB}}$	Small-signal bandwidth	At $G = +1$ , $V_O = 10\text{ mV}$ $R_F = 25\ \Omega$		200		MHz
		At $G = +2$ , $V_O = 10\text{ mV}$		90		MHz
GBW	Gain-bandwidth product	$G = +10$		100		MHz
$f_{0.1\text{dB}}$	Bandwidth for 0.1-dB gain flatness	At $G = +2$ , $V_O = 10\text{ mV}$		40		MHz
SR	Slew rate	$V_S = 5\text{ V}$ , $G = +1$ , 4-V step		150		$\text{V} / \mu\text{s}$
		$V_S = 5\text{ V}$ , $G = +1$ , 2-V step		130		$\text{V} / \mu\text{s}$
	Rise-and-fall time	At $G = +1$ , $V_O = 200\text{ mV}_{PP}$ , 10% to 90%		2		ns
		At $G = +1$ , $V_O = 2\text{ V}_{PP}$ , 10% to 90%		11		ns
	Settling time	0.1%, $V_S = 5\text{ V}$ , $G = +1$ , 2-V output step		30		ns
		0.01%, $V_S = 5\text{ V}$ , $G = +1$ , 2-V output step		60		ns
	Overload recovery time	$V_{IN} \times \text{Gain} = V_S$		5		ns

**Electrical Characteristics:  $V_S = 2.7\text{ V}$  to  $5.5\text{ V}$  Single-Supply (continued)**

 at  $T_A = 25^\circ\text{C}$ ,  $R_F = 0\ \Omega$ ,  $R_L = 1\ \text{k}\Omega$ , and connected to  $V_S / 2$  (unless otherwise noted)

PARAMETER		TEST CONDITIONS	MIN	TYP	MAX	UNIT
<b>FREQUENCY RESPONSE, continued</b>						
Harmonic distortion	Second harmonic	At $G = +1$ , $f = 1\ \text{MHz}$ , $V_O = 2\ V_{PP}$ , $R_L = 200\ \Omega$ , $V_{CM} = 1.5\ \text{V}$		-75		dBc
	Third harmonic	At $G = +1$ , $f = 1\ \text{MHz}$ , $V_O = 2\ V_{PP}$ , $R_L = 200\ \Omega$ , $V_{CM} = 1.5\ \text{V}$		-83		dBc
Differential gain error		NTSC, $R_L = 150\ \Omega$		0.02%		
Differential phase error		NTSC, $R_L = 150\ \Omega$		0.09		°
Channel-to-channel crosstalk	TLV3542	$f = 5\ \text{MHz}$		-100		dB
	TLV3544			-84		dB
<b>OUTPUT</b>						
Voltage output swing from rail		$V_S = 5\ \text{V}$ , $R_L = 1\ \text{k}\Omega$ at $T_A = 25^\circ\text{C}$		0.1	0.3	V
$I_O$	Output current, single, dual, quad <sup>(1)(2)</sup>	$V_S = 5\ \text{V}$	100			mA
		$V_S = 3\ \text{V}$		50		mA
Closed-loop output impedance		$f < 100\ \text{kHz}$		0.05		$\Omega$
$R_O$	Open-loop output resistance			35		$\Omega$
<b>POWER SUPPLY</b>						
$V_S$	Specified voltage range		2.7		5.5	V
	Operating voltage range		2.5		5.5	V
$I_Q$	Quiescent current (per amplifier)	At $T_A = 25^\circ\text{C}$ , $V_S = 5\ \text{V}$ , $I_O = 0$		5.2	6.5	mA
<b>TEMPERATURE RANGE</b>						
Specified range			-40		125	°C
Operating range <sup>(3)</sup>			-55		150	°C
Storage range			-65		150	°C
<b>THERMAL SHUTDOWN</b>						
Shutdown temperature				160		°C
Reset from shutdown				140		°C

 (1) See typical characteristic curves, *Output Voltage Swing vs Output Current* (Figure 14 and Figure 15).

(2) Specified by design.

(3) Operating in this temperature range will not damage the part. However, degraded performance may be observed.



### 6.8 Typical Characteristics

at  $T_A = 25^\circ\text{C}$ ,  $V_S = 5\text{ V}$ ,  $G = +1$ ,  $R_F = 0\ \Omega$ ,  $R_L = 1\ \text{k}\Omega$ , and connected to  $V_S / 2$ , unless otherwise noted.

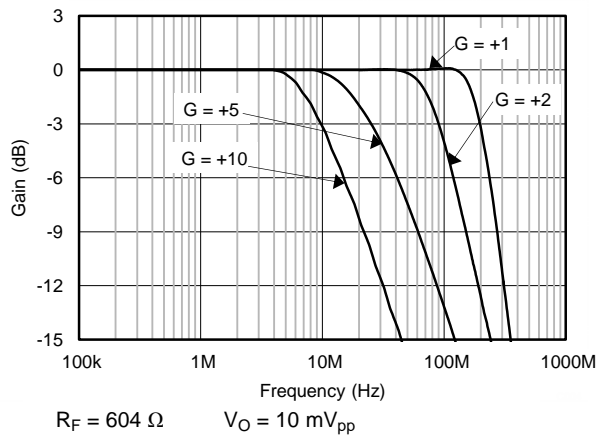


Figure 2. Noninverting Small-Signal Frequency Response

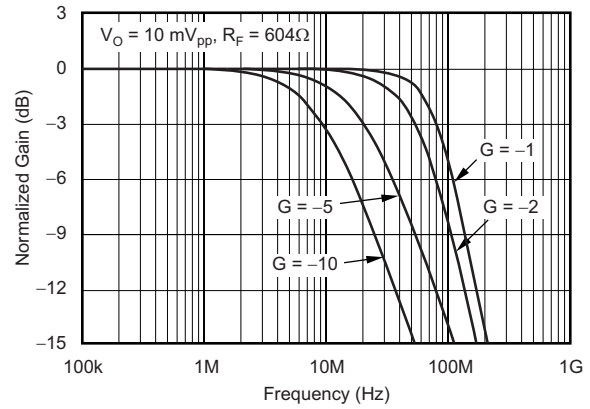


Figure 3. Inverting Small-Signal Frequency Response

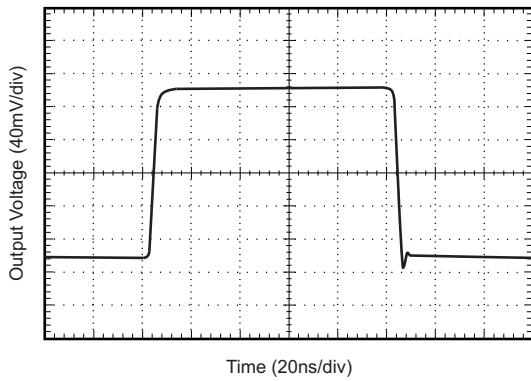


Figure 4. Noninverting Small-Signal Step Response

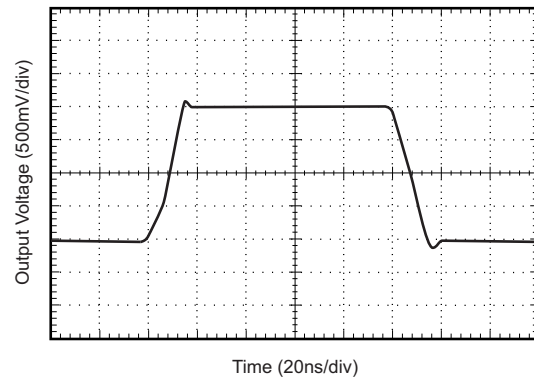


Figure 5. Noninverting Large-Signal Step Response

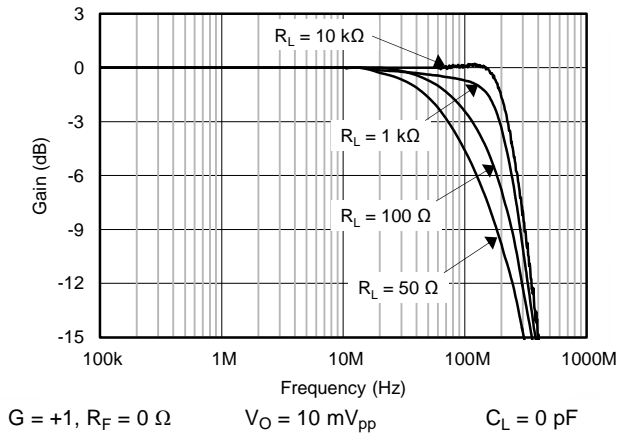


Figure 6. Frequency Response for Various  $R_L$

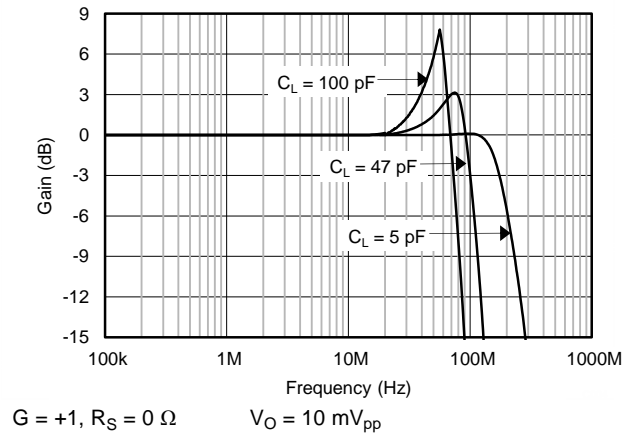


Figure 7. Frequency Response for Various  $C_L$

Typical Characteristics (continued)

at  $T_A = 25^\circ\text{C}$ ,  $V_S = 5\text{ V}$ ,  $G = +1$ ,  $R_F = 0\ \Omega$ ,  $R_L = 1\ \text{k}\Omega$ , and connected to  $V_S / 2$ , unless otherwise noted.

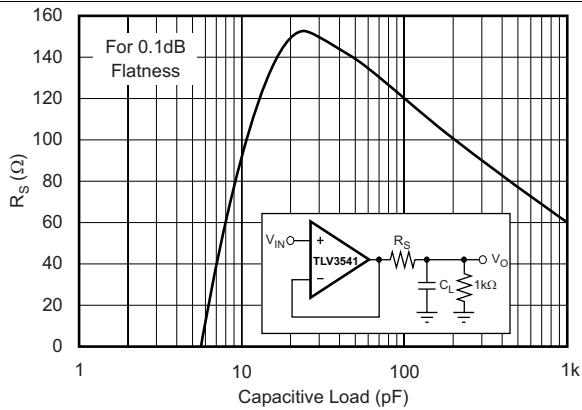


Figure 8. Recommended  $R_S$  vs Capacitive Load

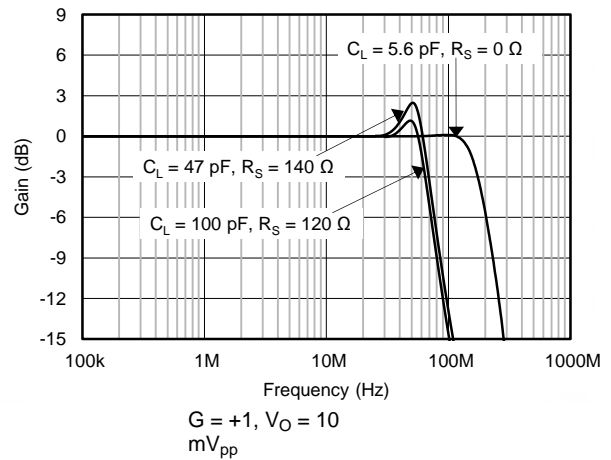


Figure 9. Frequency Response vs Capacitive Load

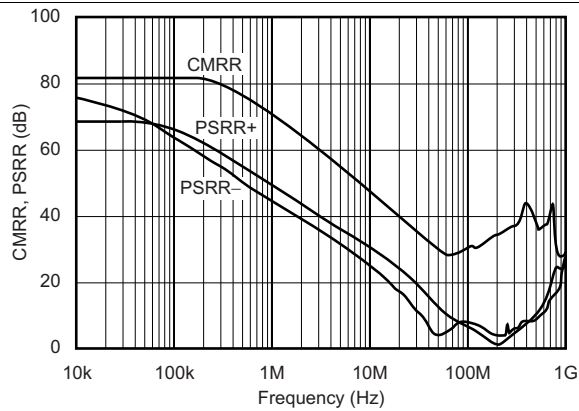


Figure 10. Common-Mode Rejection Ratio and Power-Supply Rejection Ratio vs Frequency

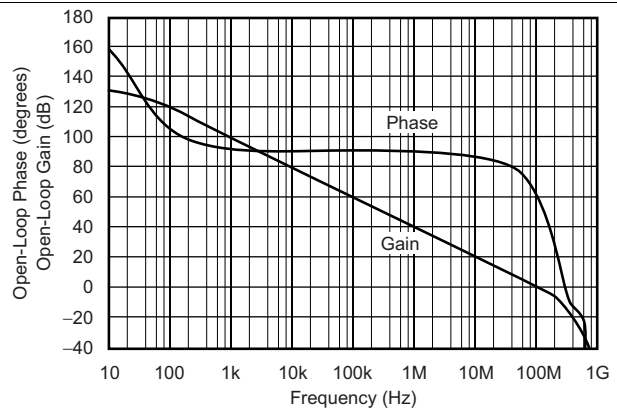


Figure 11. Open-Loop Gain and Phase

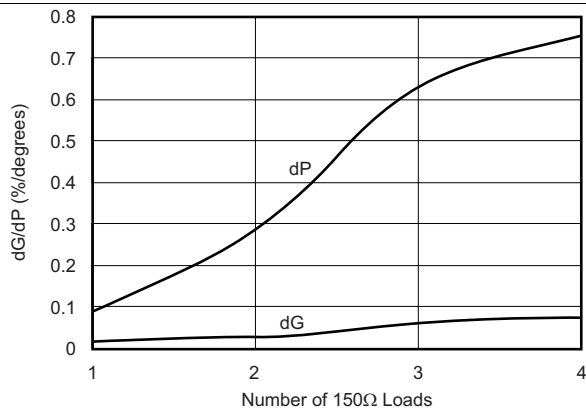


Figure 12. Composite Video Differential Gain and Phase

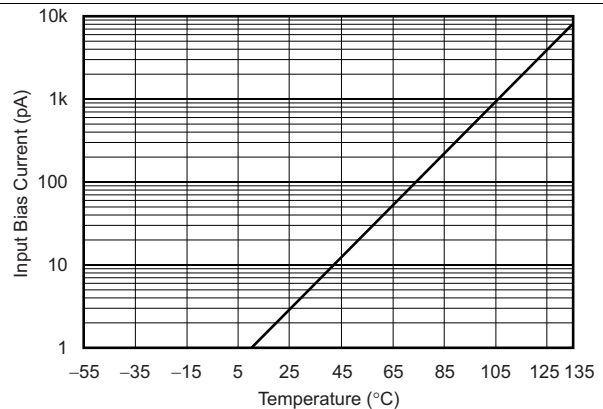


Figure 13. Input Bias Current vs Temperature

Typical Characteristics (continued)

at  $T_A = 25^\circ\text{C}$ ,  $V_S = 5\text{ V}$ ,  $G = +1$ ,  $R_F = 0\ \Omega$ ,  $R_L = 1\ \text{k}\Omega$ , and connected to  $V_S / 2$ , unless otherwise noted.

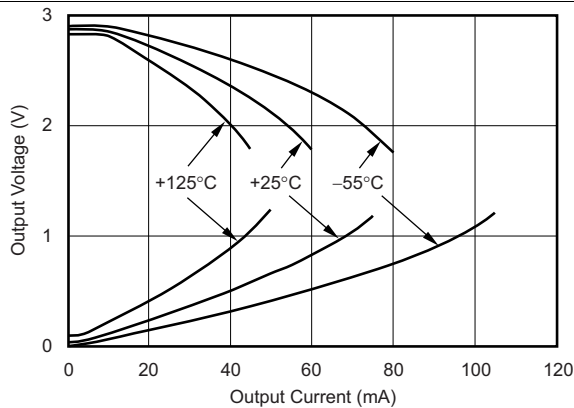


Figure 14. Output Voltage Swing vs Output Current for  $V_S = 3\text{ V}$

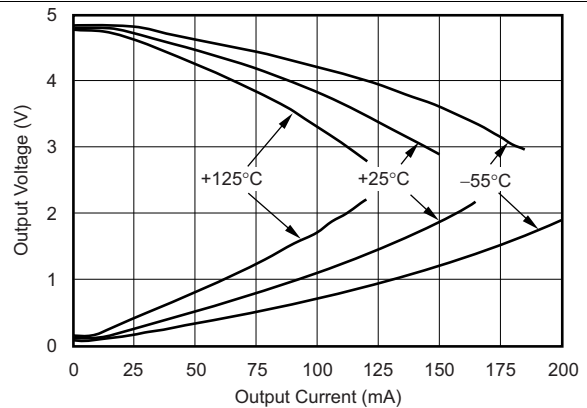


Figure 15. Output Voltage Swing vs Output Current for  $V_S = 5\text{ V}$

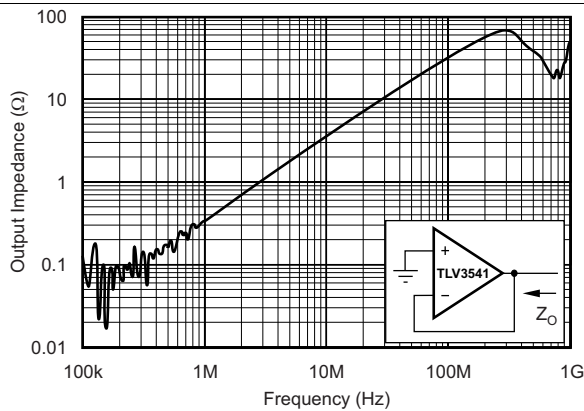


Figure 16. Closed-Loop Output Impedance vs Frequency

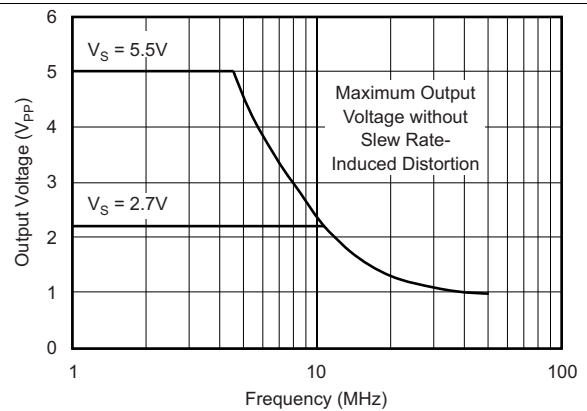


Figure 17. Maximum Output Voltage vs Frequency

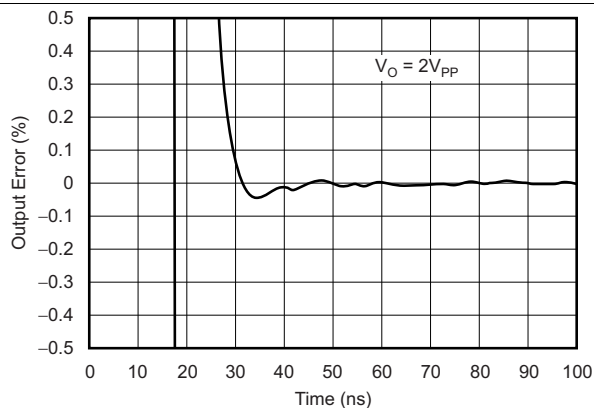


Figure 18. Output Settling Time to 0.1%

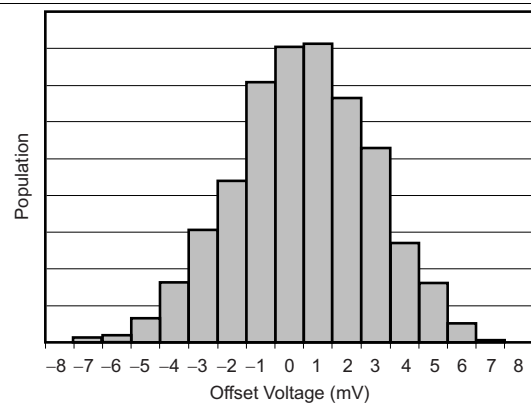
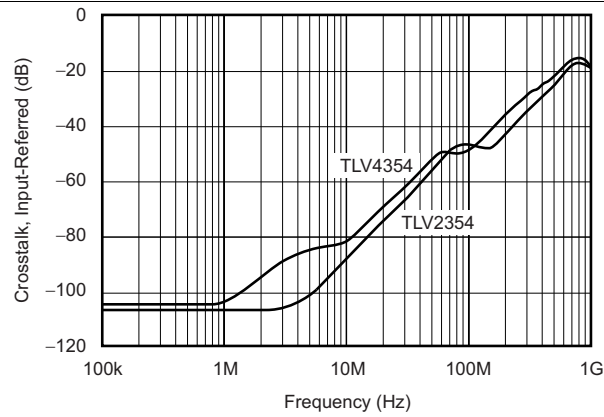


Figure 19. Offset Voltage Production Distribution

**Typical Characteristics (continued)**

 at  $T_A = 25^\circ\text{C}$ ,  $V_S = 5\text{ V}$ ,  $G = +1$ ,  $R_F = 0\ \Omega$ ,  $R_L = 1\ \text{k}\Omega$ , and connected to  $V_S / 2$ , unless otherwise noted.

**Figure 20. Channel-to-Channel Crosstalk**

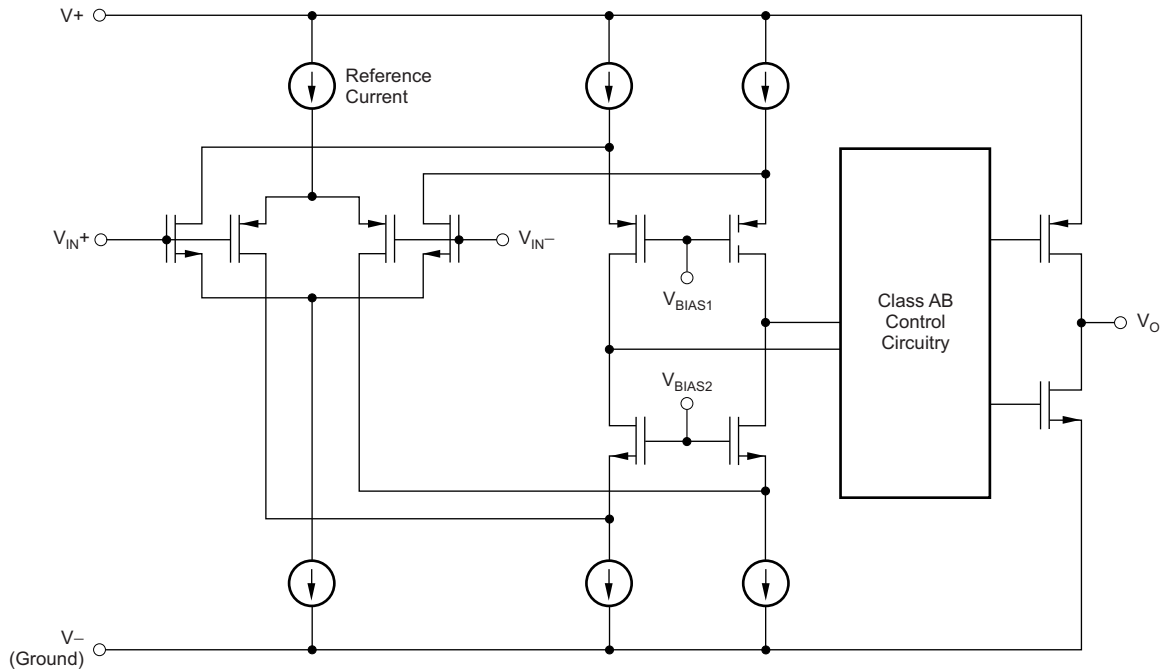
## 7 Detailed Description

### 7.1 Overview

The TLV354x is a CMOS, rail-to-rail I/O, high-speed, voltage-feedback operational amplifier designed for video, high-speed, and other applications. The device is available as a single, dual, or quad op amp.

The amplifier features a 100-MHz gain bandwidth and a 150-V/ $\mu$ s slew rate, but the amplifier is unity-gain stable and operates as a +1-V/V voltage follower.

### 7.2 Functional Block Diagram



Copyright © 2016, Texas Instruments Incorporated

## 7.3 Feature Description

### 7.3.1 Operating Voltage

The TLV354x is specified over a power-supply range of 2.7 V to 5.5 V ( $\pm 1.35$  V to  $\pm 2.75$  V). However, the supply voltage may range from 2.5 V to 5.5 V ( $\pm 1.25$  V to  $\pm 2.75$  V). Supply voltages higher than 7.5 V (absolute maximum) can permanently damage the amplifier.

Parameters that vary over supply voltage or temperature are shown in the [Typical Characteristics](#) section.

### 7.3.2 Rail-to-Rail Input

The specified input common-mode voltage range of the TLV354x extends 100 mV beyond the supply rails. This extended range is achieved with a complementary input stage: an N-channel input differential pair in parallel with a P-channel differential pair, as shown in the [Functional Block Diagram](#). The N-channel pair is active for input voltages close to the positive rail, typically  $(V+) - 1.2$  V to 100 mV above the positive supply, while the P-channel pair is on for inputs from 100 mV below the negative supply to approximately  $(V+) - 1.2$  V. There is a small transition region, typically  $(V+) - 1.5$  V to  $(V+) - 0.9$  V, in which both pairs are on. This 600-mV transition region can vary  $\pm 500$  mV with process variation. Thus, the transition region (with both input stages on) can range from  $(V+) - 2.0$  V to  $(V+) - 1.5$  V on the low end, up to  $(V+) - 0.9$  V to  $(V+) - 0.4$  V on the high end.

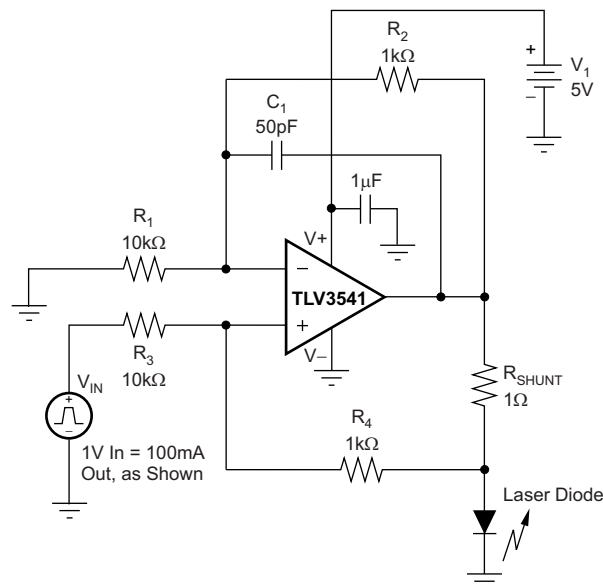
A double-folded cascode adds the signal from the two input pairs and presents a differential signal to the class AB output stage.

### 7.3.3 Rail-to-Rail Output

A class AB output stage with common-source transistors is used to achieve rail-to-rail output. For high-impedance loads ( $> 200 \Omega$ ), the output voltage swing is typically 100 mV from the supply rails. With 10- $\Omega$  loads, a useful output swing can be achieved while maintaining high open-loop gain. See the typical characteristic curves, [Output Voltage Swing vs Output Current](#) (Figure 14 and Figure 15).

### 7.3.4 Output Drive

The TLV354x output stage can supply a continuous output current of  $\pm 100$  mA and yet provide approximately 2.7 V of output swing on a 5-V supply, as shown in Figure 21. For maximum reliability, it is not recommended to run a continuous DC current in excess of  $\pm 100$  mA. Refer to the typical characteristic curves, [Output Voltage Swing vs Output Current](#) (Figure 14 and Figure 15). For supplying continuous output currents greater than  $\pm 100$  mA, the TLV354x may be operated in parallel, as shown in Figure 22.



**Figure 21. Laser Diode Driver**

## Feature Description (continued)

The TLV354x provides peak currents up to 200 mA, which corresponds to the typical short-circuit current. Therefore, an on-chip thermal shutdown circuit is provided to protect the TLV354x from dangerously high junction temperatures. At 160°C, the protection circuit shuts down the amplifier. Normal operation resumes when the junction temperature cools to below +140°C.

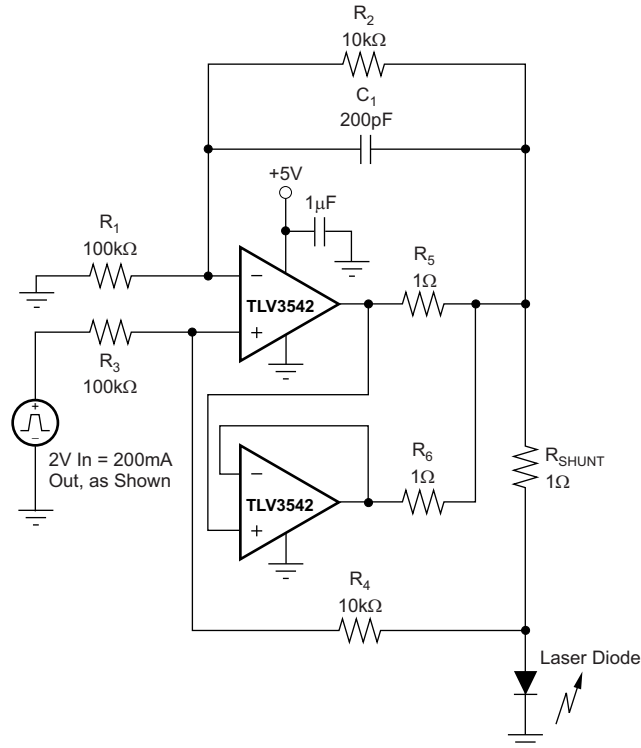


Figure 22. Parallel Operation

### 7.3.5 Video

The TLV354x output stage is capable of driving standard back-terminated 75-Ω video cables, as shown in Figure 23. By back-terminating a transmission line, the device does not exhibit a capacitive load to its driver. A properly back-terminated 75-Ω cable does not appear as capacitance; the device presents a 150-Ω resistive load to the TLV354x output.

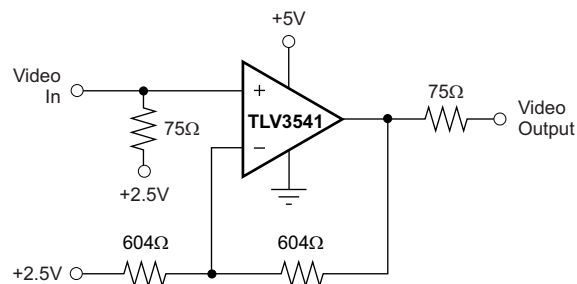
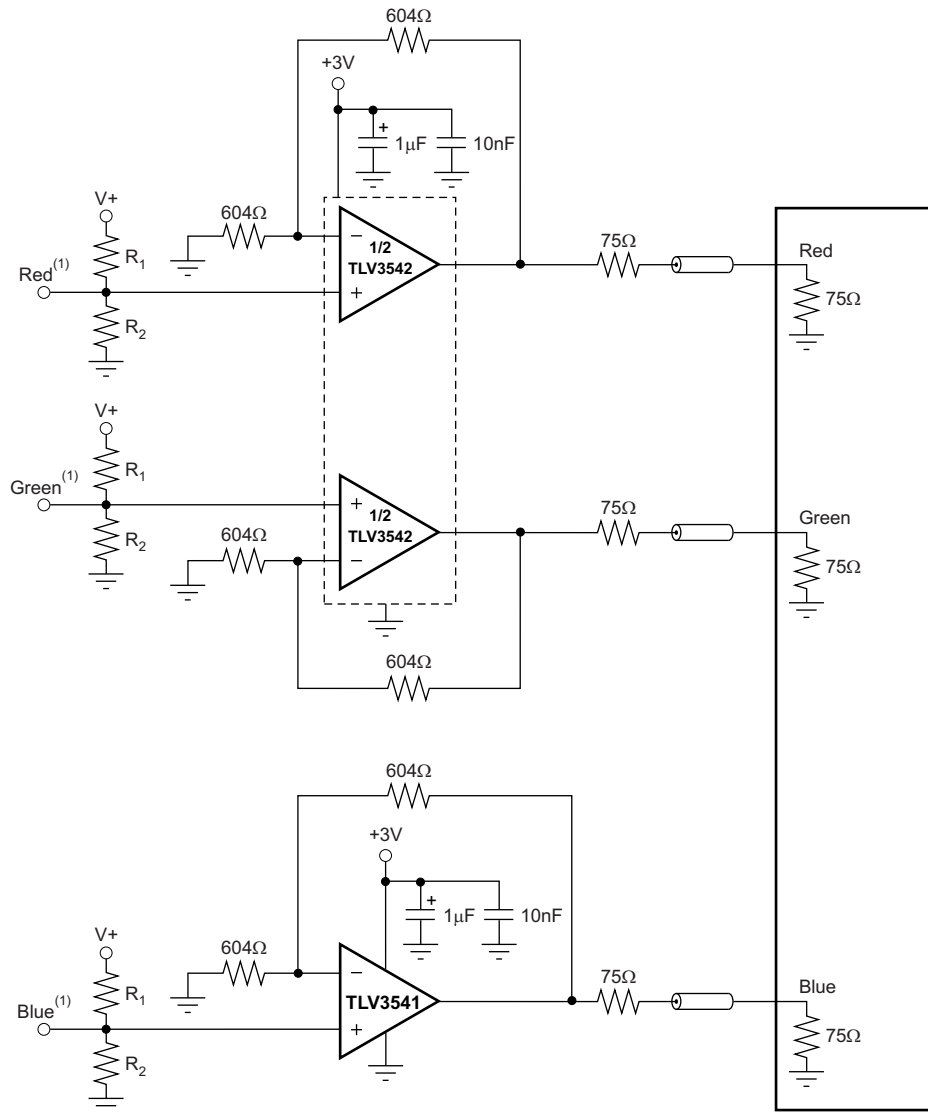


Figure 23. Single-Supply Video Line Driver

The TLV3542 can be used as an amplifier for RGB graphic signals, which have a voltage of zero at the video black level, by offsetting and AC-coupling the signal. See Figure 24.

Feature Description (continued)



(1) Source video signal offsets 300 mV above ground to accommodate op amp swing-to-ground capability.

Figure 24. RGB Cable Driver



## Feature Description (continued)

### 7.3.6 Driving Analog-to-Digital Converters

The TLV354x series op amps offer 60 ns of settling time to 0.01%, making them a good choice for driving high- and medium-speed sampling A/D converters and buffering reference circuits. The TLV354x series provide an effective means of buffering the A/D converter input capacitance and resulting charge injection while providing signal gain. For applications requiring high DC accuracy, TI recommends using the [OPA350 series](#).

Figure 25 illustrates the TLV3541 driving an A/D converter. With the TLV3541 in an inverting configuration, a capacitor across the feedback resistor can filter high-frequency noise in the signal.

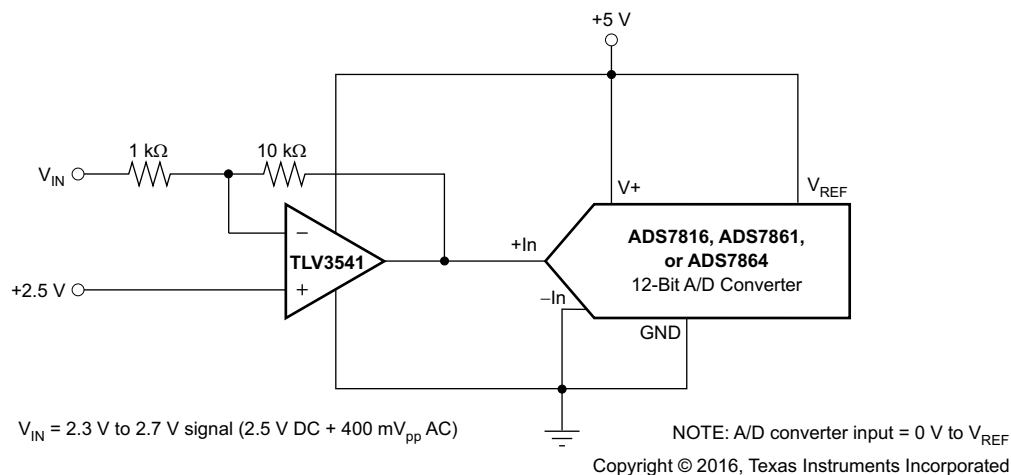


Figure 25. The TLV3541 in Inverting Configuration Driving the ADS7816

### 7.3.7 Capacitive Load and Stability

The TLV354x series op amps can drive a wide range of capacitive loads. However, all op amps under certain conditions may become unstable. Op amp configuration, gain, and load value are just a few of the factors to consider when determining stability. An op amp in unity-gain configuration is most susceptible to the effects of capacitive loading. The capacitive load reacts with the device output resistance, along with any additional load resistance, to create a pole in the small-signal response that degrades the phase margin. Refer to the typical characteristic curve, *Frequency Response for Various  $C_L$*  (Figure 7) for details.

The TLV354x topology enhances the ability to drive capacitive loads. In unity gain, these op amps perform well with large capacitive loads. Refer to the typical characteristic curves, *Recommended  $R_S$  vs Capacitive Load* (Figure 8) and *Frequency Response vs Capacitive Load* (Figure 9) for details.

One method of improving capacitive load drive in the unity-gain configuration is to insert a 10- $\Omega$  to 20- $\Omega$  resistor in series with the output, as shown in Figure 26. This configuration significantly reduces ringing with large capacitive loads. See the typical characteristic curve, *Frequency Response vs Capacitive Load* (Figure 9). However, if there is a resistive load in parallel with the capacitive load,  $R_S$  creates a voltage divider. This voltage division introduces a DC error at the output and slightly reduces output swing. This error may be insignificant. For instance, with  $R_L = 10\text{ k}\Omega$  and  $R_S = 20\ \Omega$ , there is an error of approximately 0.2% at the output.

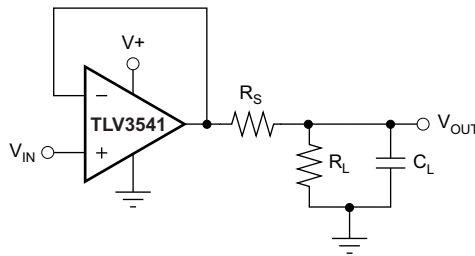


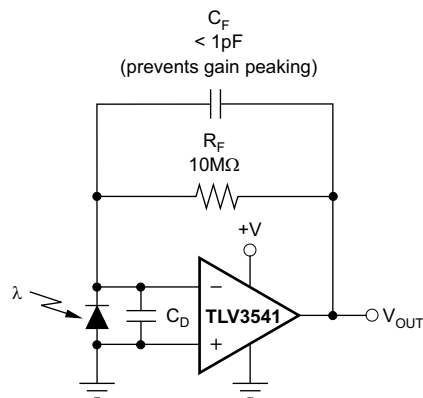
Figure 26. Series Resistor in Unity-Gain Configuration Improves Capacitive Load Drive

## Feature Description (continued)

### 7.3.8 Wideband Transimpedance Amplifier

Wide bandwidth, low input bias current, and low input voltage and current noise make the TLV354x a suitable wideband photodiode transimpedance amplifier for low-voltage, single-supply applications. Low-voltage noise is important because photodiode capacitance causes the effective noise gain of the circuit to increase at high frequency.

The key elements to a transimpedance design, as shown in [Figure 27](#), are the expected diode capacitance (including the parasitic input common-mode and differential-mode input capacitance (2 + 2) pF for the TLV354x), the desired transimpedance gain ( $R_F$ ), and the Gain-Bandwidth Product (GBW) for the TLV354x (100 MHz, typical). With these three variables set, the feedback capacitor value ( $C_F$ ) may be set to control the frequency response.



**Figure 27. Transimpedance Amplifier**

To achieve a flat, second-order, Butterworth frequency response, the feedback pole must be set as shown in [Equation 1](#):

$$\frac{1}{2\pi R_F C_F} = \sqrt{\frac{\text{GBP}}{4\pi R_F C_D}} \quad (1)$$

Typical surface-mount resistors have a parasitic capacitance of approximately 0.2 pF that must be deducted from the calculated feedback capacitance value. Bandwidth is calculated by [Equation 2](#):

$$f_{-3\text{dB}} = \sqrt{\frac{\text{GBP}}{2\pi R_F C_D}} \text{ Hz} \quad (2)$$

For even higher transimpedance bandwidth, the high-speed CMOS [OPA355](#) (200-MHz GBW) or the [OPA655](#) (400-MHz GBW) may be used.

## 7.4 Device Functional Modes

The TLV354x has dual functional modes and is operational when the power-supply voltage is greater than 2.5 V ( $\pm 1.25$  V). The maximum power-supply voltage for the TLV354x is 5.5 V ( $\pm 2.75$  V). At +160°C, the protection circuit shuts down the amplifier. Normal operation resumes when the junction temperature cools to below +140°C.

## 8 Application and Implementation

### NOTE

Information in the following applications sections is not part of the TI component specification, and TI does not warrant its accuracy or completeness. TI's customers are responsible for determining suitability of components for their purposes. Customers should validate and test their design implementation to confirm system functionality.

### 8.1 Application Information

The TLV354x are wide bandwidth, low-noise, rail-to-rail input and output amplifiers. These devices operate from 2.5 V to 5.5 V, are unity-gain stable, and suitable for a wide range of general-purpose applications. The input common-mode voltage range includes both rails, and allows the TLV354x device to be used in any single-supply application. Rail-to-rail input and output swing significantly increases dynamic range, especially in low-supply applications, and makes the device ideal for driving analog-to-digital converters (ADCs).

The TLV354x family of devices features a 200-MHz bandwidth and 150-V/ $\mu$ s slew rate with only 7.5 nV/ $\sqrt{\text{Hz}}$  of broadband noise.

### 8.2 Typical Application

A typical application for an operational amplifier is an inverting amplifier, as shown in [Figure 28](#). An inverting amplifier takes a positive voltage on the input and outputs a signal inverted to the input, making a negative voltage of the same magnitude. In the same manner, the amplifier makes negative input voltages positive on the output. In addition, amplification can be added by selecting the input resistor  $R_I$  and the feedback resistor  $R_F$ .

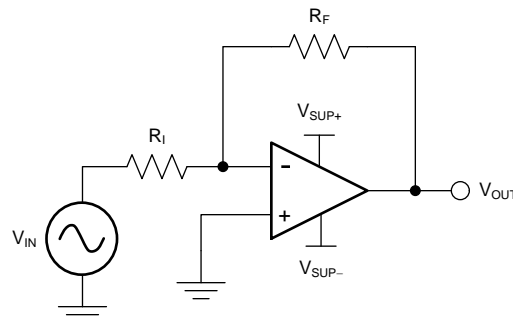


Figure 28. Application Schematic

#### 8.2.1 Design Requirements

The supply voltage must be chosen to be larger than the input voltage range and the desired output range. The limits of the input common-mode range ( $V_{CM}$ ) and the output voltage swing to the rails ( $V_O$ ) must be considered. For instance, this application scales a signal of  $\pm 0.5$  V (1 V) to  $\pm 1.8$  V (3.6 V). Setting the supply at  $\pm 2.5$  V is sufficient to accommodate this application.

#### 8.2.2 Detailed Design Procedure

Determine the gain required by the inverting amplifier using [Equation 3](#) and [Equation 4](#):

$$A_V = \frac{V_{OUT}}{V_{IN}} \tag{3}$$

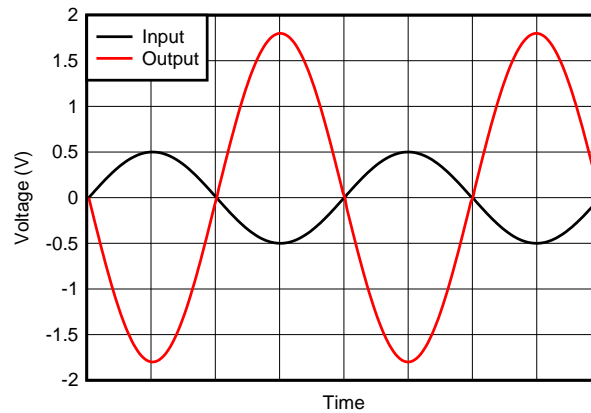
$$A_V = \frac{1.8}{-0.5} = -3.6 \tag{4}$$

### Typical Application (continued)

When the desired gain is determined, select a value for  $R_I$  or  $R_F$ . Selecting a value in the kilo ohm range is desirable for general-purpose applications because the amplifier circuit uses currents in the milliamp range. This milliamp current range ensures the device does not draw too much current. The trade-off is that large resistors (100s of kilo ohms) draw the smallest current but generate the highest noise. Small resistors (100s of ohms) generate low noise but draw high current. This example uses  $10\text{ k}\Omega$  for  $R_I$ , meaning  $36\text{ k}\Omega$  is used for  $R_F$ . These values are determined by [Equation 5](#):

$$A_V = -\frac{R_F}{R_I} \quad (5)$$

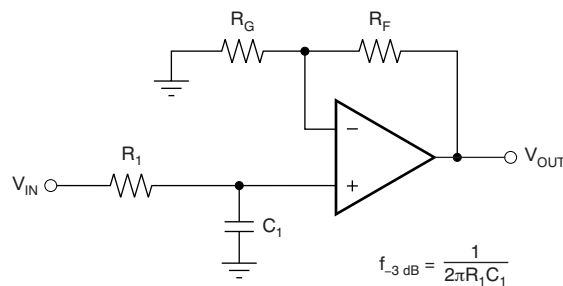
### 8.2.3 Application Curve



**Figure 29. Inverting Amplifier Input and Output**

### 8.3 System Examples

When receiving low-level signals, limiting the bandwidth of the incoming signals into the system is often required. The simplest way to establish this limited bandwidth is to place an RC filter at the noninverting terminal of the amplifier, as shown in [Figure 30](#).



$$\frac{V_{OUT}}{V_{IN}} = \left(1 + \frac{R_F}{R_G}\right) \left(\frac{1}{1 + sR_1C_1}\right)$$

**Figure 30. Single-Pole, Low-Pass Filter**

## System Examples (continued)

If even more attenuation is needed, a multiple pole filter is required. The Sallen-Key filter can be used for this task, as shown in [Figure 31](#). For best results, the amplifier must have a bandwidth that is eight to ten times the filter frequency bandwidth. Failure to follow this guideline can result in phase shift of the amplifier.

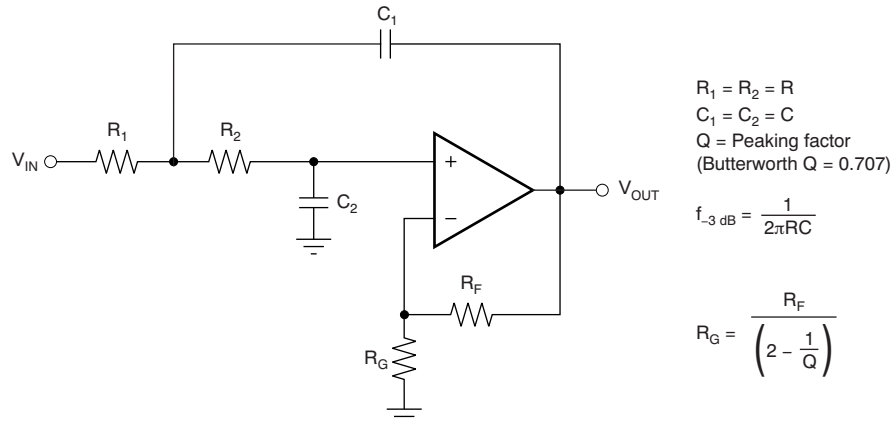


Figure 31. Two-Pole, Low-Pass, Sallen-Key Filter

## 9 Power Supply Recommendations

The TLV354x family is specified from 2.7 V to 5.5 V ( $\pm 1.35$  V to  $\pm 2.75$  V), although the devices can operate from 2.5 V to 5.5 V ( $\pm 1.25$  V to  $\pm 2.75$  V); many specifications apply from  $-40^\circ\text{C}$  to  $+125^\circ\text{C}$ . [Typical Characteristics](#) presents parameters that can exhibit significant variance with regard to operating voltage or temperature.

### CAUTION

Supply voltages larger than 7.5 V can permanently damage the device. (See the *Absolute Maximum Ratings* table).

Place 0.1- $\mu\text{F}$  bypass capacitors close to the power-supply pins to reduce errors coupling in from noisy or high-impedance power supplies. For more detailed information on bypass capacitor placement, see [Layout Guidelines](#).

### 9.1 Input and ESD Protection

The TLV354x family incorporates internal electrostatic discharge (ESD) protection circuits on all pins. In the case of input and output pins, this protection primarily consists of current-steering diodes connected between the input and power-supply pins. These ESD protection diodes also provide in-circuit, input overdrive protection, as long as the current is limited to 10 mA, as stated in the *Absolute Maximum Ratings* table. [Figure 32](#) shows how a series input resistor can be added to the driven input to limit the input current. The added resistor contributes thermal noise at the amplifier input, which must be kept to a minimum in noise-sensitive applications.

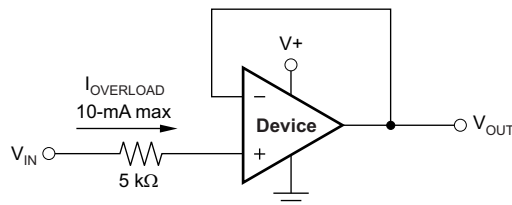


Figure 32. Input Current Protection

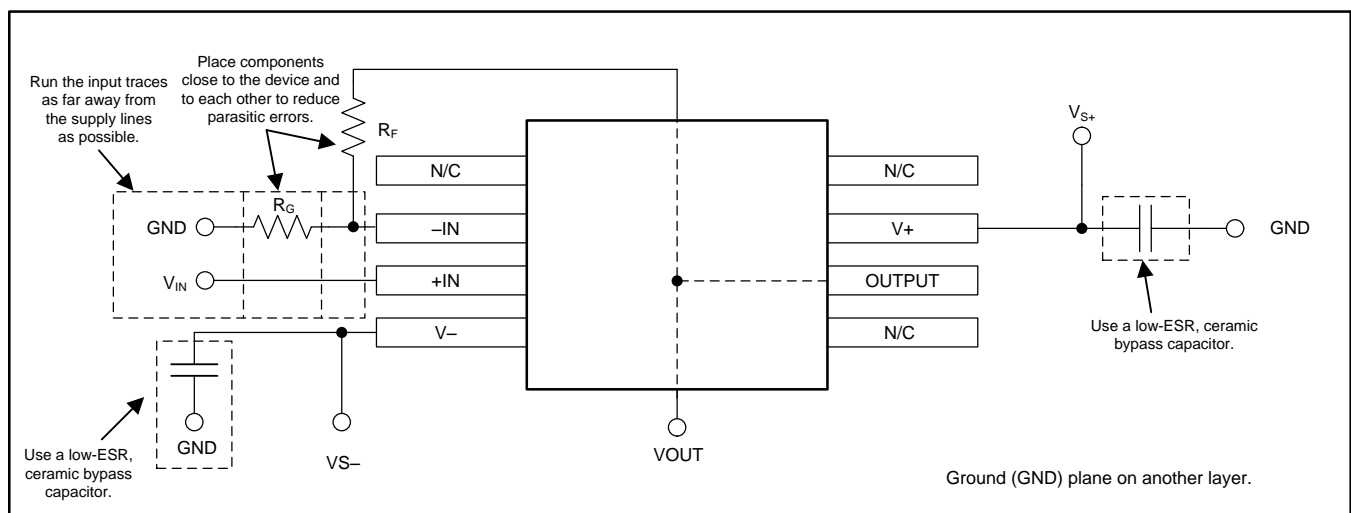
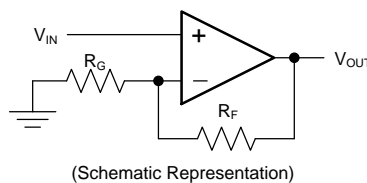
## 10 Layout

### 10.1 Layout Guidelines

For best operational performance of the device, use good printed circuit board (PCB) layout practices, including:

- Noise propagates into analog circuitry through the power pins of the circuit as a whole and the operational amplifier. Use bypass capacitors to reduce the coupled noise by providing low-impedance power sources local to the analog circuitry.
  - Connect low-ESR, 0.1- $\mu$ F ceramic bypass capacitors between each supply pin and ground, placed as close to the device as possible. A single bypass capacitor from V+ to ground is applicable for single-supply applications.
- Separate grounding for analog and digital portions of the circuitry is one of the simplest and most effective methods of noise suppression. One or more layers on multilayer PCBs are typically devoted to ground planes. A ground plane helps distribute heat and reduces EMI noise pickup. Make sure to physically separate digital and analog grounds, paying attention to the flow of the ground current.
- To reduce parasitic coupling, run the input traces as far away from the supply or output traces as possible. If these traces cannot be kept separate, crossing the sensitive trace perpendicularly is much better than crossing in parallel with the noisy trace.
- Place the external components as close to the device as possible. Keep  $R_F$  and  $R_G$  close to the inverting input to minimize parasitic capacitance, as shown in Figure 33.
- Keep the length of input traces as short as possible. Always remember that the input traces are the most sensitive part of the circuit.
- Consider a driven, low-impedance guard ring around the critical traces. A guard ring can significantly reduce leakage currents from nearby traces that are at different potentials.

### 10.2 Layout Example



**Figure 33. Operational Amplifier Board Layout for Noninverting Configuration**

## 11 Device and Documentation Support

### 11.1 Documentation Support

#### 11.1.1 Related Documentation

TI recommends using the following reference documents for the TLV354x device. All are available for download at [www.ti.com](http://www.ti.com) unless otherwise noted.

- [Handbook of Operational Amplifier Applications](#) (SBOA092).
- [Analog Engineer's Pocket Reference](#) (SLYW038).

#### 11.2 Related Links

[Table 1](#) lists quick access links. Categories include technical documents, support and community resources, tools and software, and quick access to sample or buy.

**Table 1. Related Links**

PARTS	PRODUCT FOLDER	SAMPLE & BUY	TECHNICAL DOCUMENTS	TOOLS & SOFTWARE	SUPPORT & COMMUNITY
TLV3541	<a href="#">Click here</a>	<a href="#">Click here</a>	<a href="#">Click here</a>	<a href="#">Click here</a>	<a href="#">Click here</a>
TLV3542	<a href="#">Click here</a>	<a href="#">Click here</a>	<a href="#">Click here</a>	<a href="#">Click here</a>	<a href="#">Click here</a>
TLV3544	<a href="#">Click here</a>	<a href="#">Click here</a>	<a href="#">Click here</a>	<a href="#">Click here</a>	<a href="#">Click here</a>

#### 11.3 Receiving Notification of Documentation Updates

To receive notification of documentation updates, navigate to the device product folder on [ti.com](http://ti.com). In the upper right corner, click on Alert me to register and receive a weekly digest of any product information that has changed. For change details, review the revision history included in any revised document.

#### 11.4 Community Resources

The following links connect to TI community resources. Linked contents are provided "AS IS" by the respective contributors. They do not constitute TI specifications and do not necessarily reflect TI's views; see TI's [Terms of Use](#).

**TI E2E™ Online Community** *TI's Engineer-to-Engineer (E2E) Community*. Created to foster collaboration among engineers. At [e2e.ti.com](http://e2e.ti.com), you can ask questions, share knowledge, explore ideas and help solve problems with fellow engineers.

**Design Support** *TI's Design Support* Quickly find helpful E2E forums along with design support tools and contact information for technical support.

#### 11.5 Trademarks

E2E is a trademark of Texas Instruments.  
All other trademarks are the property of their respective owners.

#### 11.6 Electrostatic Discharge Caution



These devices have limited built-in ESD protection. The leads should be shorted together or the device placed in conductive foam during storage or handling to prevent electrostatic damage to the MOS gates.

#### 11.7 Glossary

[SLYZ022](#) — *TI Glossary*.

This glossary lists and explains terms, acronyms, and definitions.

## 12 Mechanical, Packaging, and Orderable Information

The following pages include mechanical, packaging, and orderable information. This information is the most current data available for the designated devices. This data is subject to change without notice and revision of this document. For browser-based versions of this data sheet, refer to the left-hand navigation.



**PACKAGING INFORMATION**

Orderable Device	Status (1)	Package Type	Package Drawing	Pins	Package Qty	Eco Plan (2)	Lead/Ball Finish (6)	MSL Peak Temp (3)	Op Temp (°C)	Device Marking (4/5)	Samples
TLV3541IDBVR	PREVIEW	SOT-23	DBV	5	3000	Green (RoHS & no Sb/Br)	CU NIPDAU	Level-2-260C-1 YEAR	-40 to 125	17MD	
TLV3541IDBVT	PREVIEW	SOT-23	DBV	5	250	Green (RoHS & no Sb/Br)	CU NIPDAU	Level-2-260C-1 YEAR	-40 to 125	17MD	
TLV3541IDR	ACTIVE	SOIC	D	8	2500	Green (RoHS & no Sb/Br)	CU NIPDAU	Level-2-260C-1 YEAR	-40 to 125	TL3541	<b>Samples</b>
TLV3542IDGKR	PREVIEW	VSSOP	DGK	8	2500	TBD	Call TI	Call TI	-40 to 125		
TLV3542IDGKT	PREVIEW	VSSOP	DGK	8	250	TBD	Call TI	Call TI	-40 to 125		
TLV3542IDR	ACTIVE	SOIC	D	8	2500	Green (RoHS & no Sb/Br)	CU NIPDAU	Level-2-260C-1 YEAR	-40 to 125	TL3542	<b>Samples</b>
TLV3544IDR	PREVIEW	SOIC	D	14	2500	Green (RoHS & no Sb/Br)	CU NIPDAU	Level-2-260C-1 YEAR	-40 to 125	TLV3544A	
TLV3544IPWR	PREVIEW	TSSOP	PW	14	2000	Green (RoHS & no Sb/Br)	CU NIPDAU	Level-2-260C-1 YEAR	-40 to 125	TLV3544	

(1) The marketing status values are defined as follows:

**ACTIVE:** Product device recommended for new designs.

**LIFEBUY:** TI has announced that the device will be discontinued, and a lifetime-buy period is in effect.

**NRND:** Not recommended for new designs. Device is in production to support existing customers, but TI does not recommend using this part in a new design.

**PREVIEW:** Device has been announced but is not in production. Samples may or may not be available.

**OBSOLETE:** TI has discontinued the production of the device.

(2) Eco Plan - The planned eco-friendly classification: Pb-Free (RoHS), Pb-Free (RoHS Exempt), or Green (RoHS & no Sb/Br) - please check <http://www.ti.com/productcontent> for the latest availability information and additional product content details.

**TBD:** The Pb-Free/Green conversion plan has not been defined.

**Pb-Free (RoHS):** TI's terms "Lead-Free" or "Pb-Free" mean semiconductor products that are compatible with the current RoHS requirements for all 6 substances, including the requirement that lead not exceed 0.1% by weight in homogeneous materials. Where designed to be soldered at high temperatures, TI Pb-Free products are suitable for use in specified lead-free processes.

**Pb-Free (RoHS Exempt):** This component has a RoHS exemption for either 1) lead-based flip-chip solder bumps used between the die and package, or 2) lead-based die adhesive used between the die and leadframe. The component is otherwise considered Pb-Free (RoHS compatible) as defined above.

**Green (RoHS & no Sb/Br):** TI defines "Green" to mean Pb-Free (RoHS compatible), and free of Bromine (Br) and Antimony (Sb) based flame retardants (Br or Sb do not exceed 0.1% by weight in homogeneous material)

(3) MSL, Peak Temp. - The Moisture Sensitivity Level rating according to the JEDEC industry standard classifications, and peak solder temperature.

(4) There may be additional marking, which relates to the logo, the lot trace code information, or the environmental category on the device.

<sup>(5)</sup> Multiple Device Markings will be inside parentheses. Only one Device Marking contained in parentheses and separated by a "~" will appear on a device. If a line is indented then it is a continuation of the previous line and the two combined represent the entire Device Marking for that device.

<sup>(6)</sup> Lead/Ball Finish - Orderable Devices may have multiple material finish options. Finish options are separated by a vertical ruled line. Lead/Ball Finish values may wrap to two lines if the finish value exceeds the maximum column width.

**Important Information and Disclaimer:**The information provided on this page represents TI's knowledge and belief as of the date that it is provided. TI bases its knowledge and belief on information provided by third parties, and makes no representation or warranty as to the accuracy of such information. Efforts are underway to better integrate information from third parties. TI has taken and continues to take reasonable steps to provide representative and accurate information but may not have conducted destructive testing or chemical analysis on incoming materials and chemicals. TI and TI suppliers consider certain information to be proprietary, and thus CAS numbers and other limited information may not be available for release.

In no event shall TI's liability arising out of such information exceed the total purchase price of the TI part(s) at issue in this document sold by TI to Customer on an annual basis.

**TAPE AND REEL INFORMATION**

**QUADRANT ASSIGNMENTS FOR PIN 1 ORIENTATION IN TAPE**


\*All dimensions are nominal

Device	Package Type	Package Drawing	Pins	SPQ	Reel Diameter (mm)	Reel Width W1 (mm)	A0 (mm)	B0 (mm)	K0 (mm)	P1 (mm)	W (mm)	Pin1 Quadrant
TLV3541IDR	SOIC	D	8	2500	330.0	12.4	6.4	5.2	2.1	8.0	12.0	Q1
TLV3542IDR	SOIC	D	8	2500	330.0	12.4	6.4	5.2	2.1	8.0	12.0	Q1

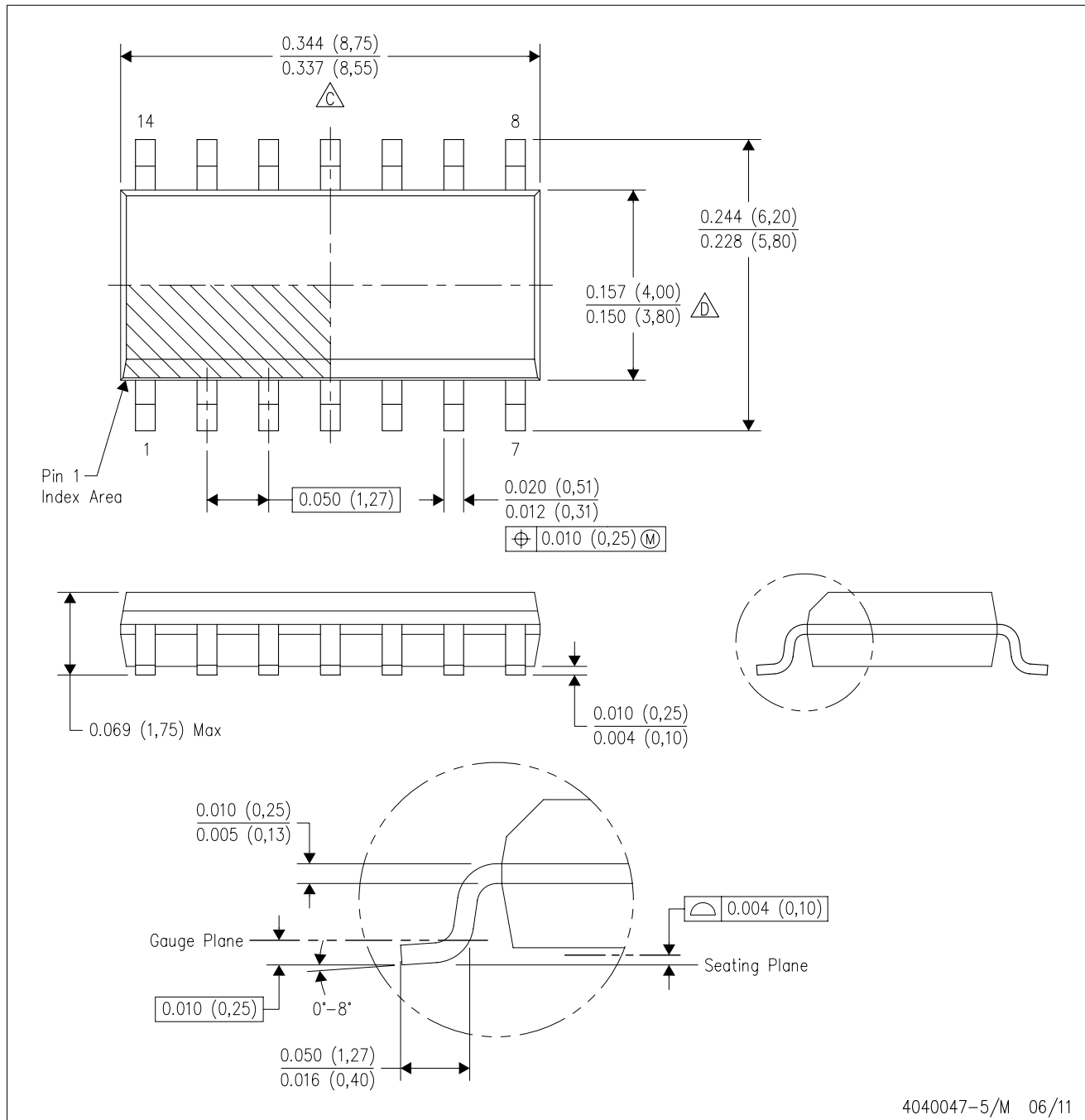
**TAPE AND REEL BOX DIMENSIONS**


\*All dimensions are nominal

Device	Package Type	Package Drawing	Pins	SPQ	Length (mm)	Width (mm)	Height (mm)
TLV3541IDR	SOIC	D	8	2500	367.0	367.0	35.0
TLV3542IDR	SOIC	D	8	2500	367.0	367.0	35.0

D (R-PDSO-G14)

PLASTIC SMALL OUTLINE

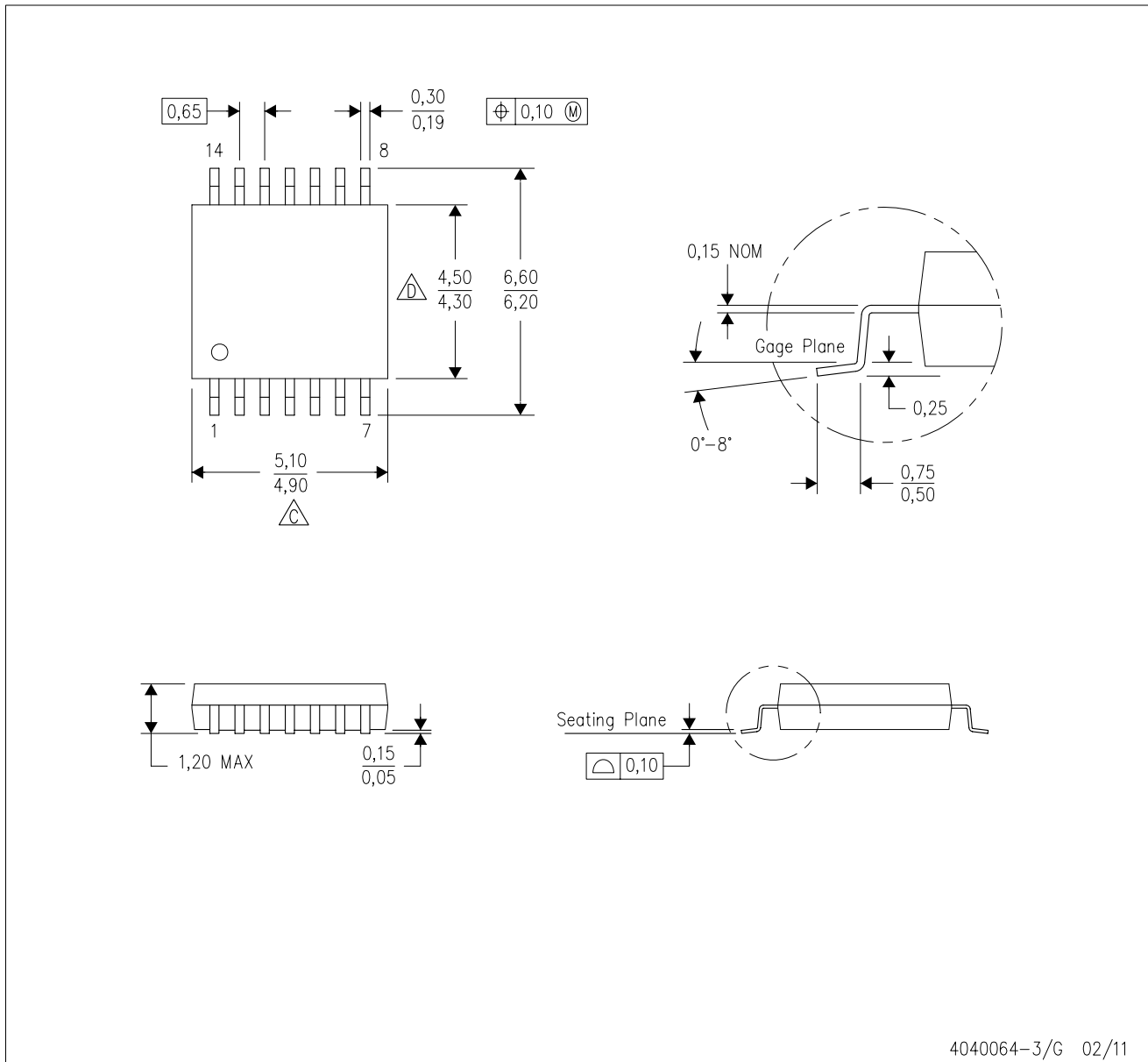


- NOTES:
- A. All linear dimensions are in inches (millimeters).
  - B. This drawing is subject to change without notice.
  - Body length does not include mold flash, protrusions, or gate burrs. Mold flash, protrusions, or gate burrs shall not exceed 0.006 (0,15) each side.
  - Body width does not include interlead flash. Interlead flash shall not exceed 0.017 (0,43) each side.
  - E. Reference JEDEC MS-012 variation AB.



# MECHANICAL DATA

PW (R-PDSO-G14)

PLASTIC SMALL OUTLINE

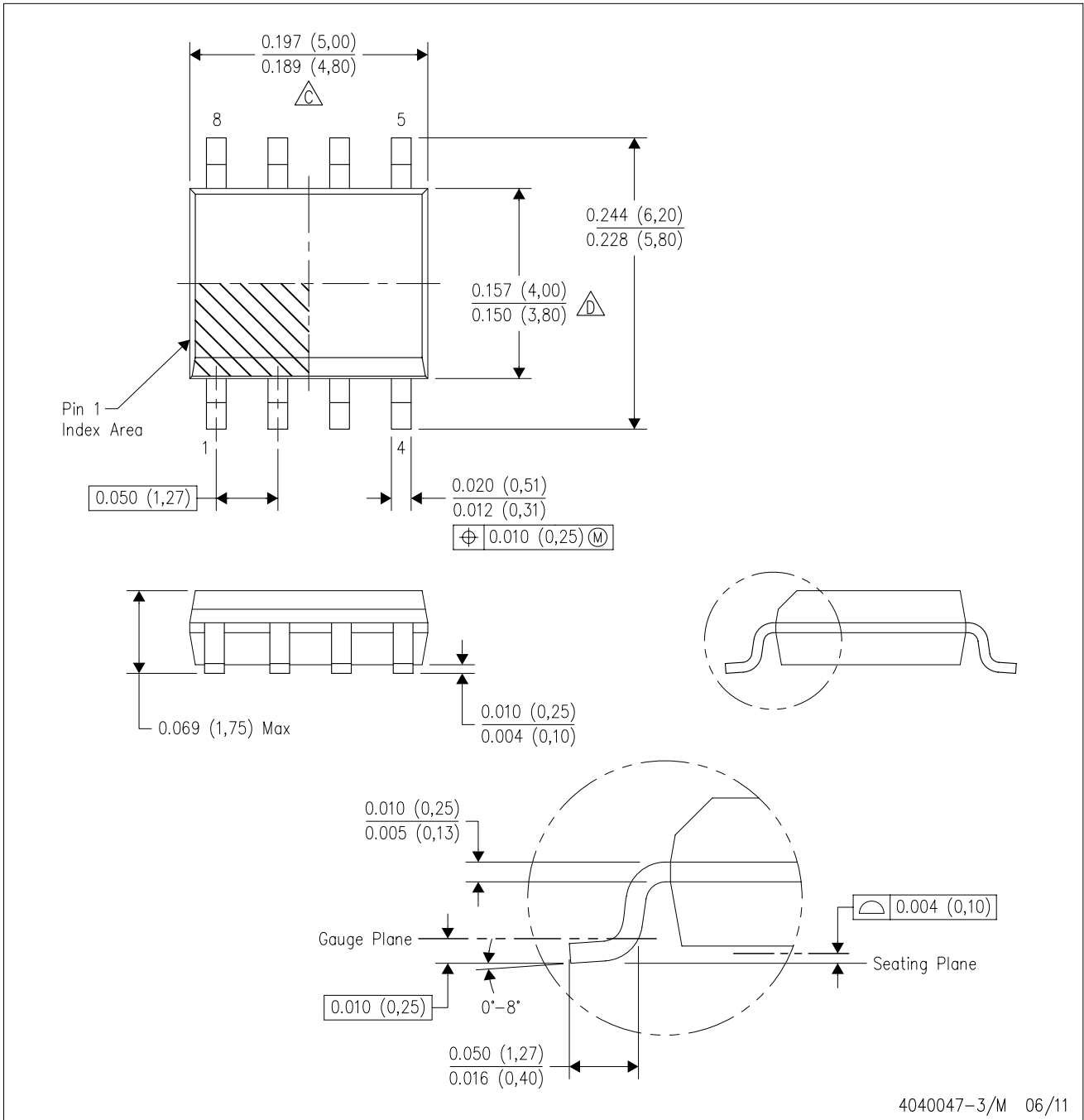


4040064-3/G 02/11

- NOTES:
- A. All linear dimensions are in millimeters. Dimensioning and tolerancing per ASME Y14.5M-1994.
  - B. This drawing is subject to change without notice.
  -  C. Body length does not include mold flash, protrusions, or gate burrs. Mold flash, protrusions, or gate burrs shall not exceed 0,15 each side.
  -  D. Body width does not include interlead flash. Interlead flash shall not exceed 0,25 each side.
  - E. Falls within JEDEC MO-153

D (R-PDSO-G8)

PLASTIC SMALL OUTLINE



- NOTES:
- A. All linear dimensions are in inches (millimeters).
  - B. This drawing is subject to change without notice.
  - C. Body length does not include mold flash, protrusions, or gate burrs. Mold flash, protrusions, or gate burrs shall not exceed 0.006 (0,15) each side.
  - D. Body width does not include interlead flash. Interlead flash shall not exceed 0.017 (0,43) each side.
  - E. Reference JEDEC MS-012 variation AA.

D (R-PDSO-G8)

PLASTIC SMALL OUTLINE



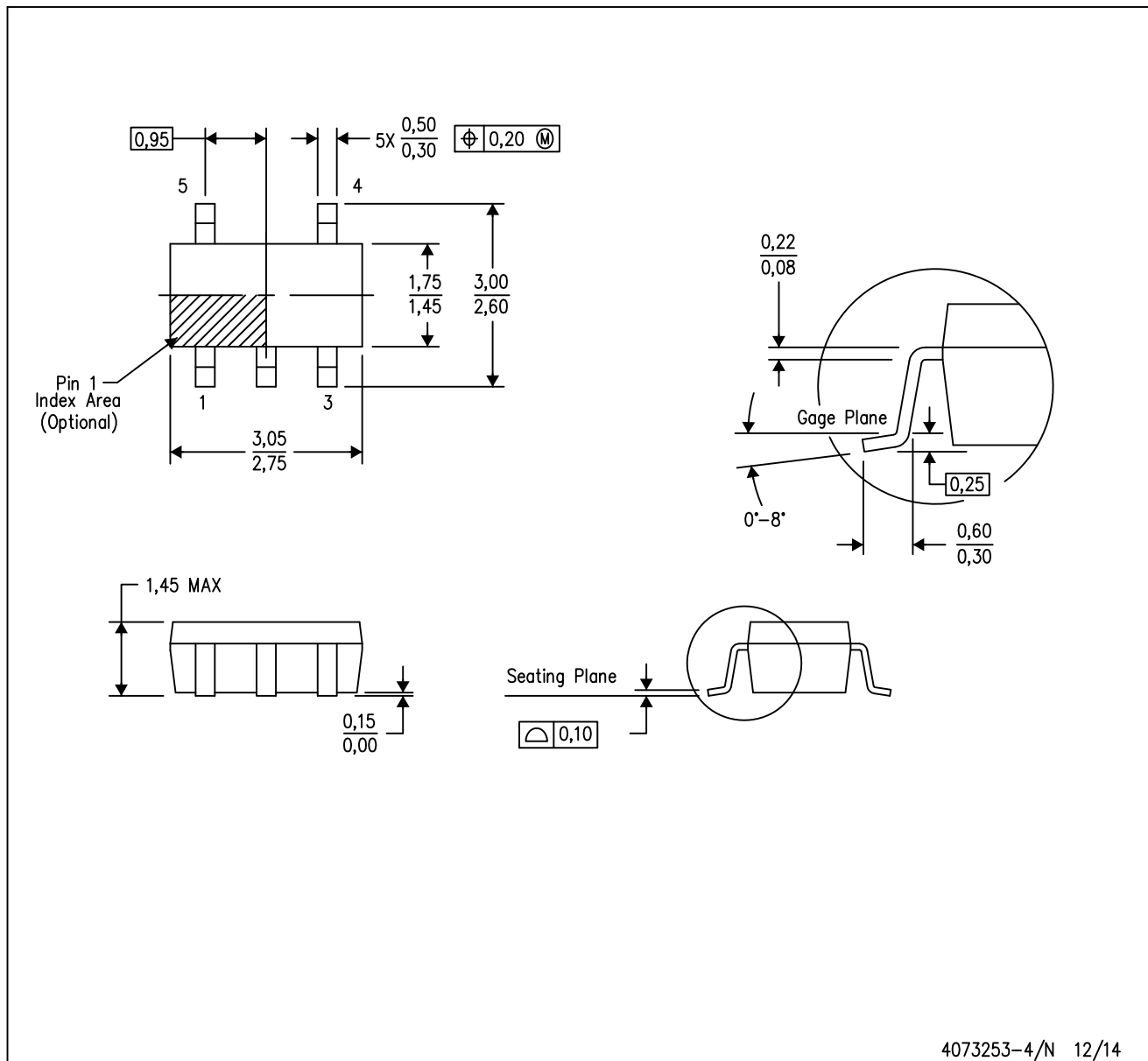
4211283-2/E 08/12

- NOTES:
- A. All linear dimensions are in millimeters.
  - B. This drawing is subject to change without notice.
  - C. Publication IPC-7351 is recommended for alternate designs.
  - D. Laser cutting apertures with trapezoidal walls and also rounding corners will offer better paste release. Customers should contact their board assembly site for stencil design recommendations. Refer to IPC-7525 for other stencil recommendations.
  - E. Customers should contact their board fabrication site for solder mask tolerances between and around signal pads.



DBV (R-PDSO-G5)

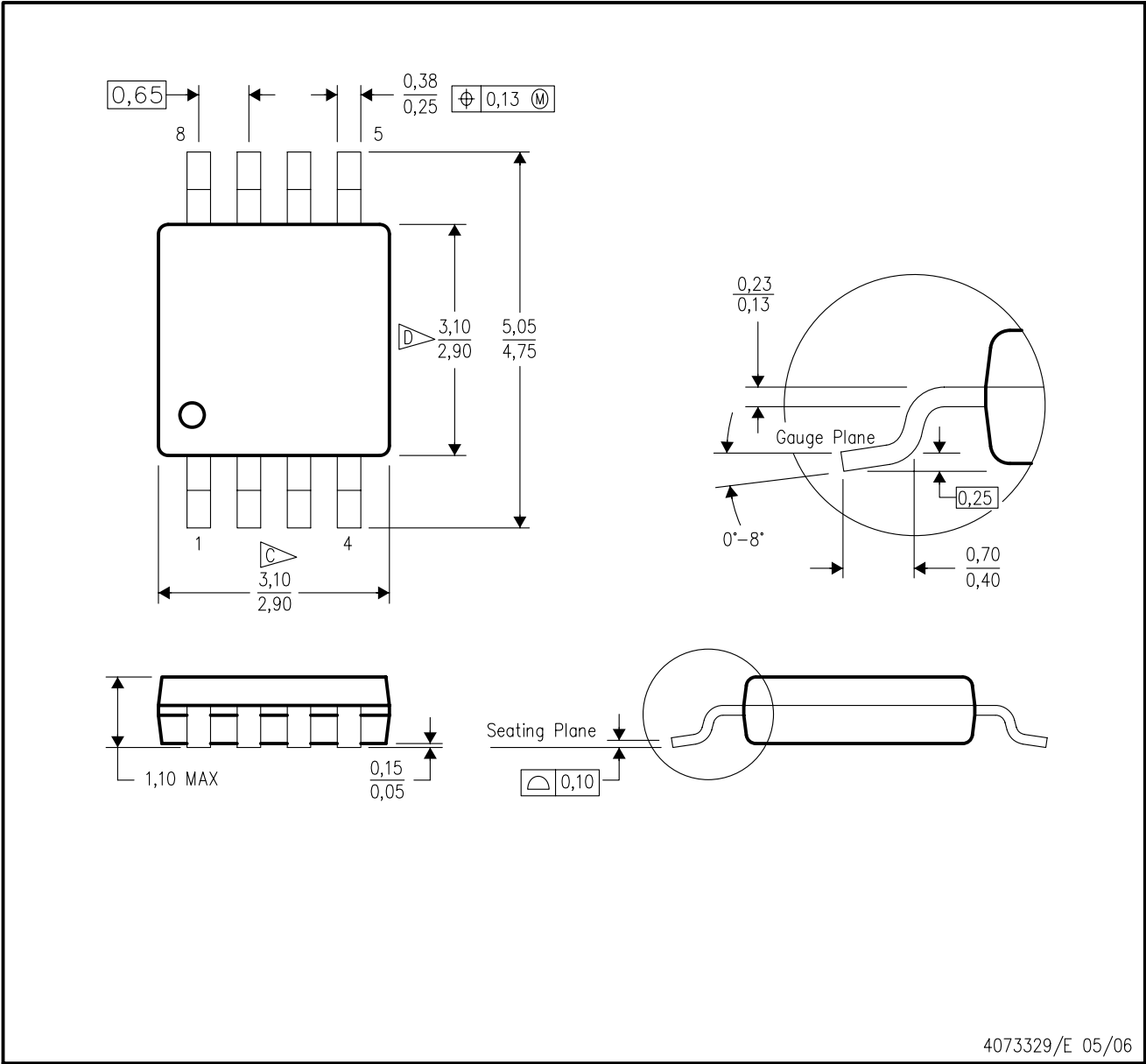
PLASTIC SMALL-OUTLINE PACKAGE



- NOTES:
- A. All linear dimensions are in millimeters.
  - B. This drawing is subject to change without notice.
  - C. Body dimensions do not include mold flash or protrusion. Mold flash and protrusion shall not exceed 0.15 per side.
  - D. Falls within JEDEC MO-178 Variation AA.

DGK (S-PDSO-G8)

PLASTIC SMALL-OUTLINE PACKAGE



- NOTES:
- A. All linear dimensions are in millimeters.
  - B. This drawing is subject to change without notice.
  - C. Body length does not include mold flash, protrusions, or gate burrs. Mold flash, protrusions, or gate burrs shall not exceed 0.15 per end.
  - D. Body width does not include interlead flash. Interlead flash shall not exceed 0.50 per side.
  - E. Falls within JEDEC MO-187 variation AA, except interlead flash.

## IMPORTANT NOTICE

Texas Instruments Incorporated and its subsidiaries (TI) reserve the right to make corrections, enhancements, improvements and other changes to its semiconductor products and services per JESD46, latest issue, and to discontinue any product or service per JESD48, latest issue. Buyers should obtain the latest relevant information before placing orders and should verify that such information is current and complete. All semiconductor products (also referred to herein as "components") are sold subject to TI's terms and conditions of sale supplied at the time of order acknowledgment.

TI warrants performance of its components to the specifications applicable at the time of sale, in accordance with the warranty in TI's terms and conditions of sale of semiconductor products. Testing and other quality control techniques are used to the extent TI deems necessary to support this warranty. Except where mandated by applicable law, testing of all parameters of each component is not necessarily performed.

TI assumes no liability for applications assistance or the design of Buyers' products. Buyers are responsible for their products and applications using TI components. To minimize the risks associated with Buyers' products and applications, Buyers should provide adequate design and operating safeguards.

TI does not warrant or represent that any license, either express or implied, is granted under any patent right, copyright, mask work right, or other intellectual property right relating to any combination, machine, or process in which TI components or services are used. Information published by TI regarding third-party products or services does not constitute a license to use such products or services or a warranty or endorsement thereof. Use of such information may require a license from a third party under the patents or other intellectual property of the third party, or a license from TI under the patents or other intellectual property of TI.

Reproduction of significant portions of TI information in TI data books or data sheets is permissible only if reproduction is without alteration and is accompanied by all associated warranties, conditions, limitations, and notices. TI is not responsible or liable for such altered documentation. Information of third parties may be subject to additional restrictions.

Resale of TI components or services with statements different from or beyond the parameters stated by TI for that component or service voids all express and any implied warranties for the associated TI component or service and is an unfair and deceptive business practice. TI is not responsible or liable for any such statements.

Buyer acknowledges and agrees that it is solely responsible for compliance with all legal, regulatory and safety-related requirements concerning its products, and any use of TI components in its applications, notwithstanding any applications-related information or support that may be provided by TI. Buyer represents and agrees that it has all the necessary expertise to create and implement safeguards which anticipate dangerous consequences of failures, monitor failures and their consequences, lessen the likelihood of failures that might cause harm and take appropriate remedial actions. Buyer will fully indemnify TI and its representatives against any damages arising out of the use of any TI components in safety-critical applications.

In some cases, TI components may be promoted specifically to facilitate safety-related applications. With such components, TI's goal is to help enable customers to design and create their own end-product solutions that meet applicable functional safety standards and requirements. Nonetheless, such components are subject to these terms.

No TI components are authorized for use in FDA Class III (or similar life-critical medical equipment) unless authorized officers of the parties have executed a special agreement specifically governing such use.

Only those TI components which TI has specifically designated as military grade or "enhanced plastic" are designed and intended for use in military/aerospace applications or environments. Buyer acknowledges and agrees that any military or aerospace use of TI components which have **not** been so designated is solely at the Buyer's risk, and that Buyer is solely responsible for compliance with all legal and regulatory requirements in connection with such use.

TI has specifically designated certain components as meeting ISO/TS16949 requirements, mainly for automotive use. In any case of use of non-designated products, TI will not be responsible for any failure to meet ISO/TS16949.

### Products

Audio	<a href="http://www.ti.com/audio">www.ti.com/audio</a>
Amplifiers	<a href="http://amplifier.ti.com">amplifier.ti.com</a>
Data Converters	<a href="http://dataconverter.ti.com">dataconverter.ti.com</a>
DLP® Products	<a href="http://www.dlp.com">www.dlp.com</a>
DSP	<a href="http://dsp.ti.com">dsp.ti.com</a>
Clocks and Timers	<a href="http://www.ti.com/clocks">www.ti.com/clocks</a>
Interface	<a href="http://interface.ti.com">interface.ti.com</a>
Logic	<a href="http://logic.ti.com">logic.ti.com</a>
Power Mgmt	<a href="http://power.ti.com">power.ti.com</a>
Microcontrollers	<a href="http://microcontroller.ti.com">microcontroller.ti.com</a>
RFID	<a href="http://www.ti-rfid.com">www.ti-rfid.com</a>
OMAP Applications Processors	<a href="http://www.ti.com/omap">www.ti.com/omap</a>
Wireless Connectivity	<a href="http://www.ti.com/wirelessconnectivity">www.ti.com/wirelessconnectivity</a>

### Applications

Automotive and Transportation	<a href="http://www.ti.com/automotive">www.ti.com/automotive</a>
Communications and Telecom	<a href="http://www.ti.com/communications">www.ti.com/communications</a>
Computers and Peripherals	<a href="http://www.ti.com/computers">www.ti.com/computers</a>
Consumer Electronics	<a href="http://www.ti.com/consumer-apps">www.ti.com/consumer-apps</a>
Energy and Lighting	<a href="http://www.ti.com/energy">www.ti.com/energy</a>
Industrial	<a href="http://www.ti.com/industrial">www.ti.com/industrial</a>
Medical	<a href="http://www.ti.com/medical">www.ti.com/medical</a>
Security	<a href="http://www.ti.com/security">www.ti.com/security</a>
Space, Avionics and Defense	<a href="http://www.ti.com/space-avionics-defense">www.ti.com/space-avionics-defense</a>
Video and Imaging	<a href="http://www.ti.com/video">www.ti.com/video</a>

### TI E2E Community

[e2e.ti.com](http://e2e.ti.com)