

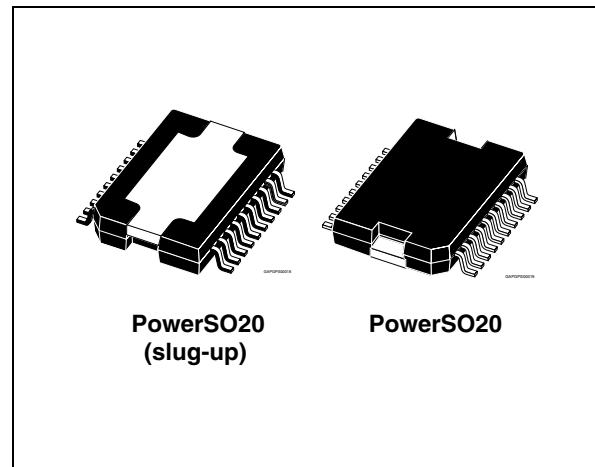
## 32 W bridge car radio amplifier

### Features

- High power capability:
  - 40 W/3.2  $\Omega$  EIAJ
  - 32 W/3.2  $\Omega$  @  $V_S = 14.4$  V,  $f = 1$  kHz,  $d = 10$  %
  - 26 W/4  $\Omega$  @  $V_S = 14.4$  V,  $f = 1$  kHz,  $d = 10$  %
- Differential inputs (either single ended or differential input signal are accepted)
- Minimum external component count:
  - No bootstrap capacitors
  - No Boucherot cells
  - Internally fixed gain (30 dB)
  - No SVR capacitor
- Standby function (CMOS compatible)
- Programmable turn-on/off delay
- No audible pop during mute and stand-by operations

### Protections

- Short circuit (to GND, to  $V_S$ , across the load)
- Very inductive loads
- Chip over temperature
- Load dump
- Open GND
- ESD



### Description

The TDA7391PD is a bridge class AB audio power amplifier specially intended for car radio high power applications.

The high power capability together with the possibility to operate either in differential input mode or single ended input mode makes it suitable for boosters and high end car radio equipment. The exclusive fully complementary output stage and the internal fixed gain configuration drop the external component count.

The on board clipping detector allows easy implementation of gain compression systems.

**Table 1. Device summary**

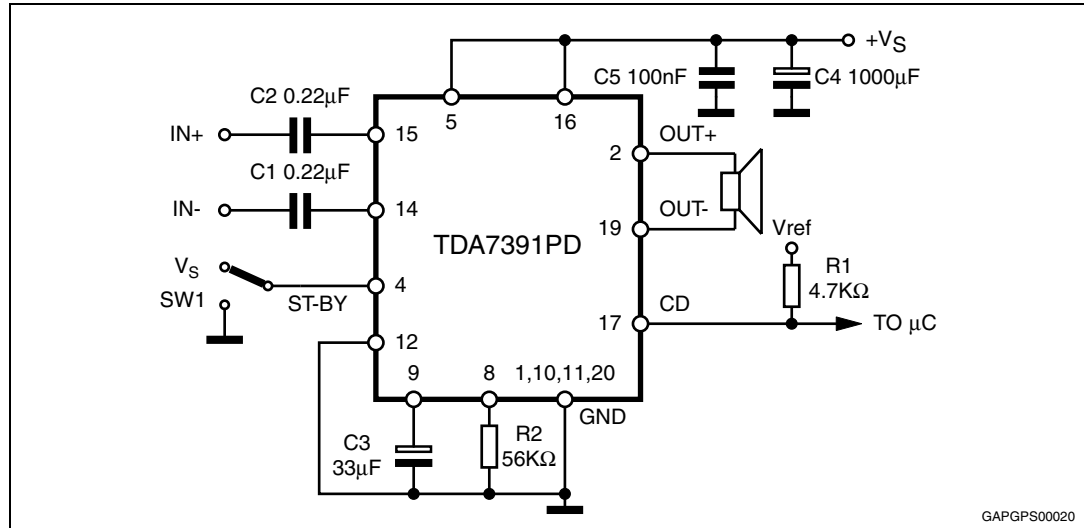
Order code	Package	Packing
E-TDA7391PD	PowerSO20	Tube
E-TDA7391PDTR	PowerSO20	Tape and reel
TDA7391PDU	PowerSO20 (slug-up)	Tube
TDA7391PDUTR	PowerSO20 (slug-up)	Tape and reel

# Contents

<b>1</b>	<b>Test and application circuit, block diagram</b> .....	<b>3</b>
<b>2</b>	<b>Pins description</b> .....	<b>4</b>
<b>3</b>	<b>Electrical specifications</b> .....	<b>5</b>
3.1	Absolute maximum ratings .....	5
3.2	Thermal data .....	5
3.3	Electrical characteristics .....	5
3.4	Electrical characteristics curves .....	6
<b>4</b>	<b>Package information</b> .....	<b>9</b>
<b>5</b>	<b>Revision history</b> .....	<b>11</b>

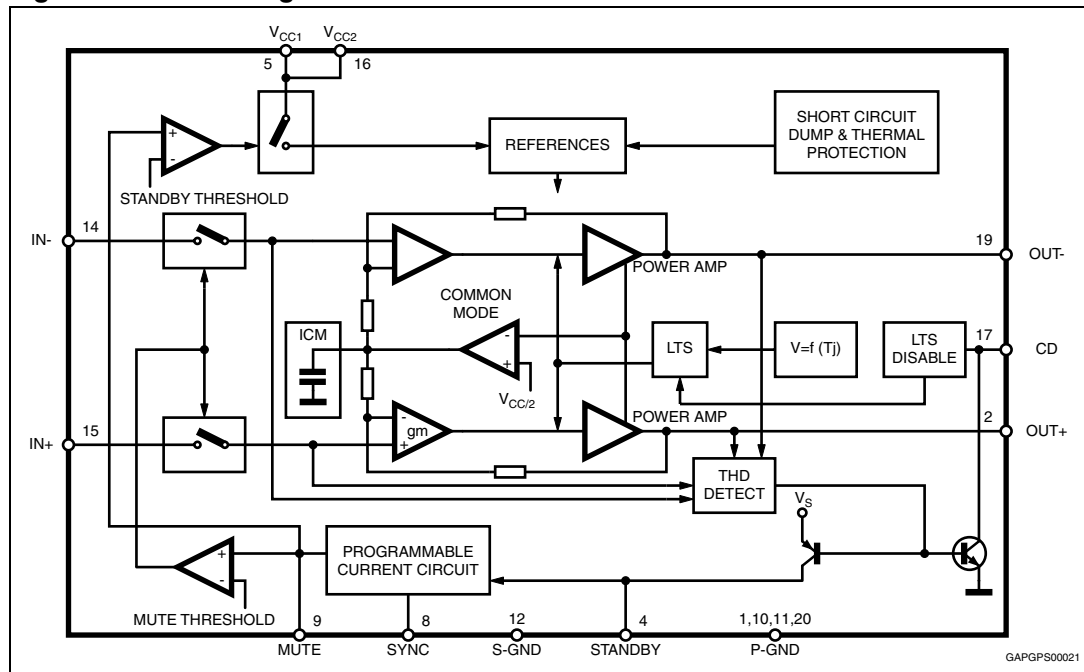
# 1 Test and application circuit, block diagram

Figure 1. Test and application circuit



GAPGPS00020

Figure 2. Block diagram



GAPGPS00021

## 2 Pins description

Figure 3. Pins connection (top view)

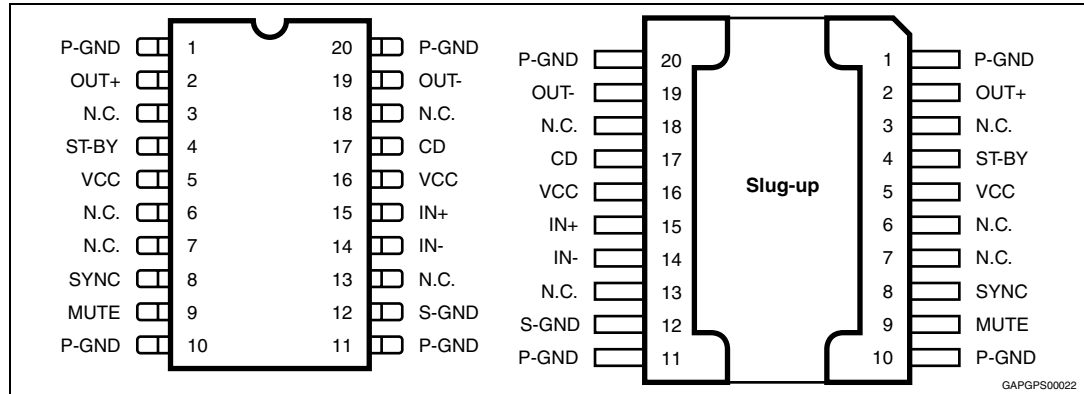


Table 2. Pins function

Pin	Function	Description
14, 15	INPUTS	The input stage is a high impedance type also capable of operation in single ended mode with one input capacitively coupled to the signal GND. The impedance seen by the inverting and non inverting input pins must be matched.
5, 16	+V <sub>S</sub>	Supply voltage.
17	CD	The TDA7391PD is equipped with a diagnostic circuitry able to detect the clipping in the Output Signal (distortion = 10%). The CD pin (open collector) gives out low level signal during clipping.
2, 19	OUTPUTS	The output stage is a bridge type able to drive loads as low as 3.2Ω. It consists of two class AB fully complementary PNP/NPN stages fully protected. A rail to rail output voltage swing is achieved without need of bootstrap capacitors. No external compensation is necessary.
1, 10, 11, 20	GND	Power Ground.
12	S-GND	Signal ground.
4	STAND-BY	The device features a ST-BY function which shuts down all the internal bias supplies when the ST-BY pin is low. In ST-BY mode the amplifier sinks a small current (in the range of few μA). When the ST-BY pin is high the IC becomes fully operational.
8	SYNC	A resistor (R <sub>2</sub> ) has to be connect between pin 8 and GND in order to program the current that flows in the C <sub>3</sub> capacitor (pin 9). The values of C <sub>3</sub> and R <sub>2</sub> determine the time required to bias the amplifier.
9	MUTE	The pin will have a capacitor (C <sub>3</sub> ) tied to GND to set the MUTE/STAND-BY time. An automatic Mute during turn on/off is provided to prevent noisy transients.

## 3 Electrical specifications

### 3.1 Absolute maximum ratings

Table 3. Absolute maximum ratings

Symbol	Parameter	Value	Unit
$V_S$	DC supply voltage	28	V
$V_{OP}$	Operating supply voltage	18	V
$V_{PEAK}$	Peak supply voltage (t = 50 ms)	50	V
$I_O$	Output peak current repetitive (f > 10 Hz)	4.5	A
	Output peak current non repetitive	6	A
$P_{tot}$	Power dissipation ( $T_{case} = 85\text{ }^\circ\text{C}$ )	32	W
$T_{stg}, T_j$	Storage and junction temperature	-40 to 150	$^\circ\text{C}$

### 3.2 Thermal data

Table 4. Thermal data

Symbol	Parameter	Value	Unit
$R_{th\ j-case}$	Thermal resistance junction-to-case	Max. 2	$^\circ\text{C/W}$

### 3.3 Electrical characteristics

Table 5. Electrical characteristics

( $V_S = 14.4\text{ V}$ ;  $R_L = 4\ \Omega$ , f = 1 kHz,  $T_{amb} = 25\text{ }^\circ\text{C}$ , unless otherwise specified)

Symbol	Parameter	Test condition	Min.	Typ.	Max.	Unit
$V_S$	Supply voltage range	-	8	-	18	V
$I_q$	Total quiescent current	-	-	60	150	mA
$V_{OS}$	Output offset voltage	-	-	-	120	mV
$I_{SB}$	Standby current	$V_{ST-BY} = 1.5\text{ V}$	-	-	100	$\mu\text{A}$
$I_{SBin}$	Standby input Bias current	$V_{ST-BY} = 5\text{ V}$	-	-	10	$\mu\text{A}$
$V_{SBon}$	Standby on threshold voltage	-	-	-	1.5	V
$V_{SBoff}$	Standby off threshold voltage	-	3.5	-	-	V
$ATT_{Standby}$	Standby attenuation	-	-	90	-	dB
$I_{M\ in}$	Mute input bias current	( $V_{MUTE} = 5\text{ V}$ )	-	-	10	$\mu\text{A}$
$A_M$	Mute attenuation	-	-	90	-	dB

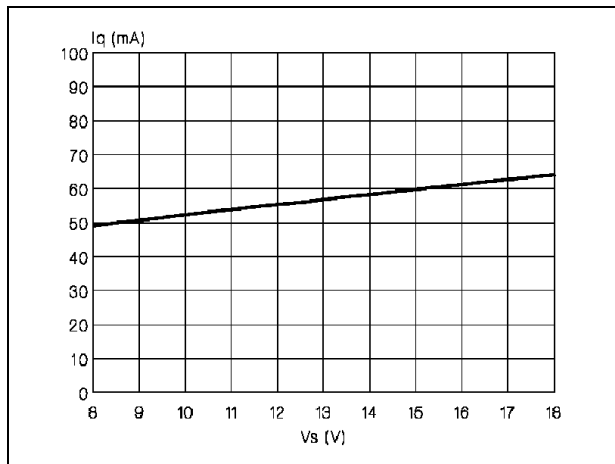
**Table 5. Electrical characteristics (continued)**

( $V_S = 14.4\text{ V}$ ;  $R_L = 4\ \Omega$ ,  $f = 1\text{ kHz}$ ,  $T_{amb} = 25\text{ }^\circ\text{C}$ , unless otherwise specified)

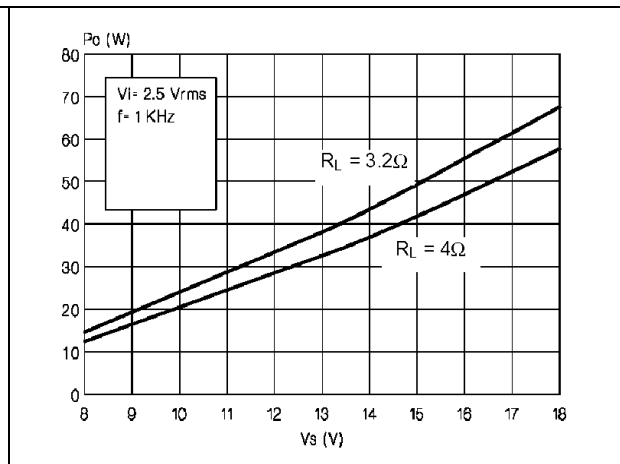
Symbol	Parameter	Test condition	Min.	Typ.	Max.	Unit
$P_O$	Output power	$d = 10\%$	20	26	-	W
		$d = 1\%$	-	21	-	W
		$d = 10\%$ ; $R_L = 3.2\ \Omega$	-	32	-	W
$P_{O\ EIAJ}$	EIAJ output power (*)	$V_S = 13.7\text{ V}$	-	40	-	W
$d$	Distortion	-	-	0.06	-	%
		$P_O = 0.1\text{ to }15\text{ W}$	-	0.03	-	%
$G_V$	Voltage gain	-	29.5	30	30.5	dB
$f_H$	High frequency rolloff	$P_O = 1\text{ W}$ ; $-3\text{ dB}$	75	-	-	kHz
$R_{IN}$	Input Impedance	Differential	36	60	-	k $\Omega$
		Single Ended	30	55	-	k $\Omega$
$E_{IN}$	Input noise voltage	$R_g = 0\ \Omega$ ; $f = 22\text{ Hz to }22\text{ kHz}$	-	4	-	mV
CMRR	Input common mode rejection	$f = 1\text{ kHz}$ ; $V_{IN} = 1\text{ V}_{rms}$	-	65	-	dB
SVR	Supply voltage rejection	$R_g = 0\ \Omega$ ; $V_r = 1\text{ V}_{rms}$	-	60	-	dB
CDL	Clipping detection level	-	-	10	-	%
$T_{sd}$	Absolute thermal shutdown junction temperature	-	-	160	-	$^\circ\text{C}$

### 3.4 Electrical characteristics curves

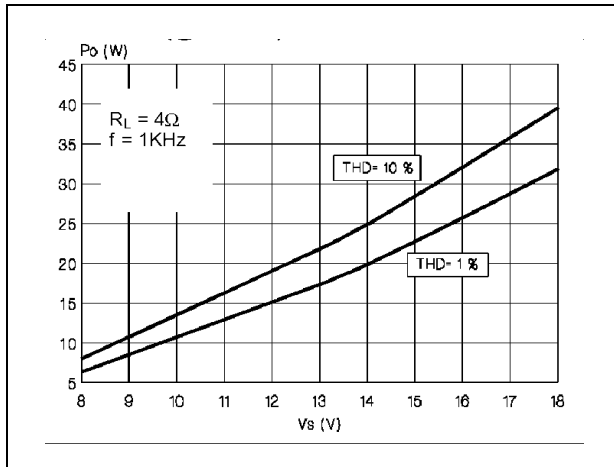
**Figure 4. Quiescent current vs. supply voltage**



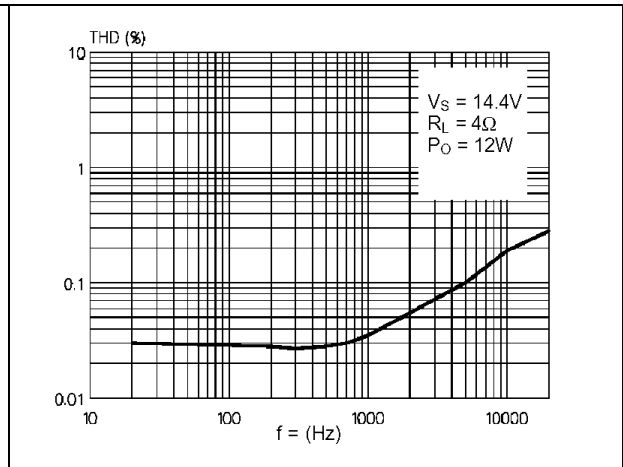
**Figure 5. EIAJ power vs. supply voltage**



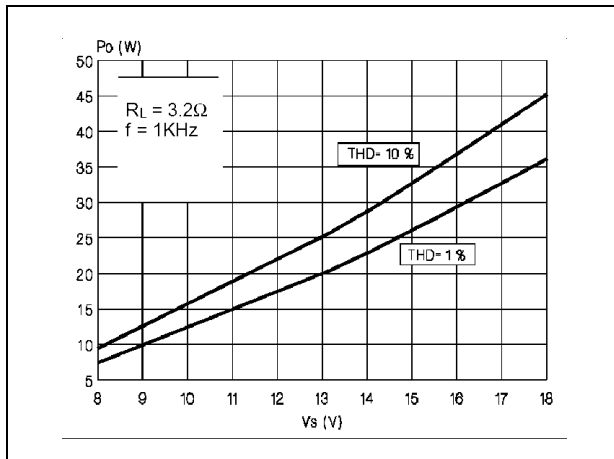
**Figure 6. Output power vs. supply voltage (@ $R_L = 4\Omega$ )**



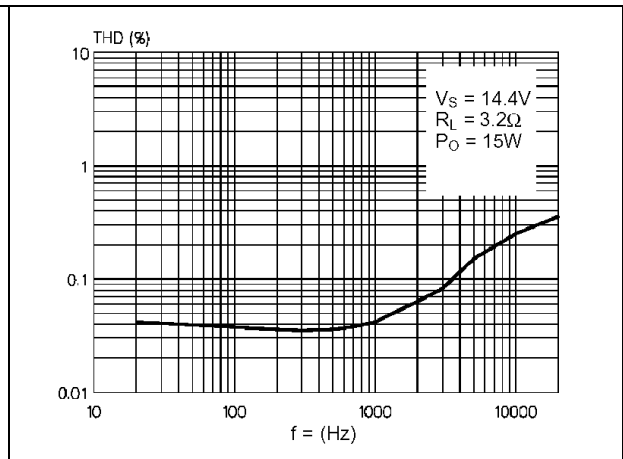
**Figure 7. Distortion vs. frequency (@  $R_L = 4\Omega$ )**



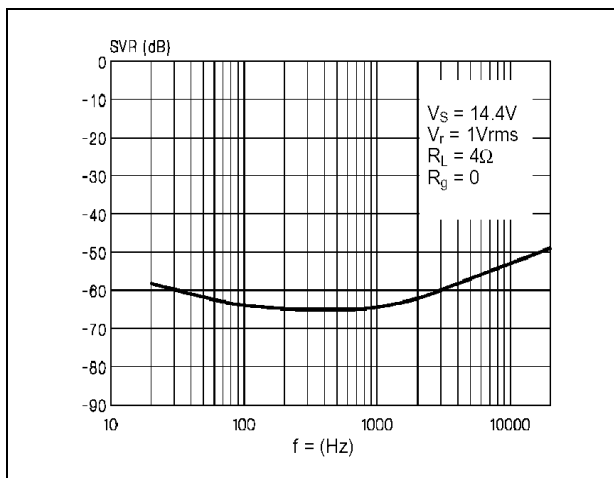
**Figure 8. Output power vs. supply voltage (@ $R_L = 3.2\Omega$ )**



**Figure 9. Distortion vs. frequency (@  $R_L = 3.2\Omega$ )**



**Figure 10. Supply voltage rejection vs. frequency**



**Figure 11. Common mode rejection vs. frequency**

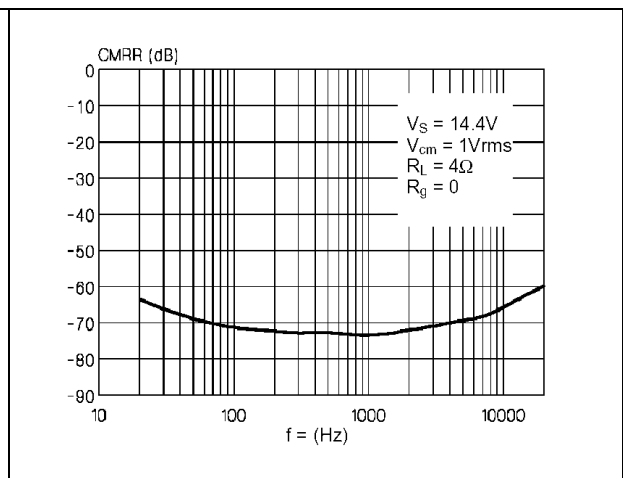


Figure 12. Total power dissipation and eff. vs. output power (@ $R_L = 4\Omega$ )

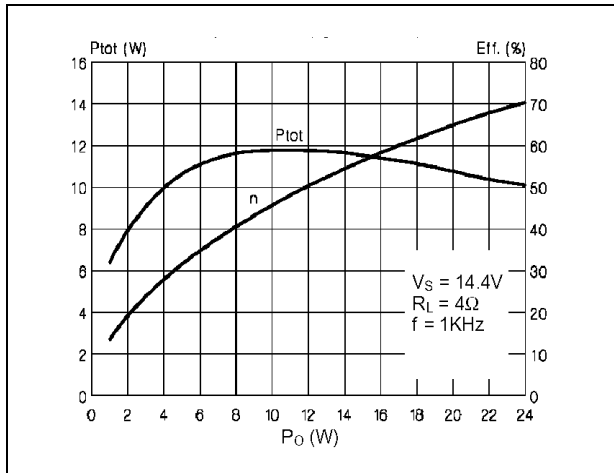
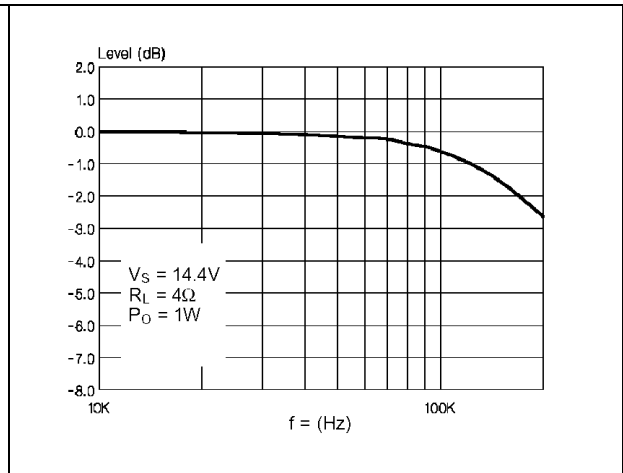


Figure 13. Power bandwidth





# 4 Package information

In order to meet environmental requirements, ST offers these devices in different grades of ECOPACK® packages, depending on their level of environmental compliance. ECOPACK® specifications, grade definitions and product status are available at: [www.st.com](http://www.st.com).

ECOPACK® is an ST trademark.

**Figure 14. PowerSO20 mechanical data and package dimensions**

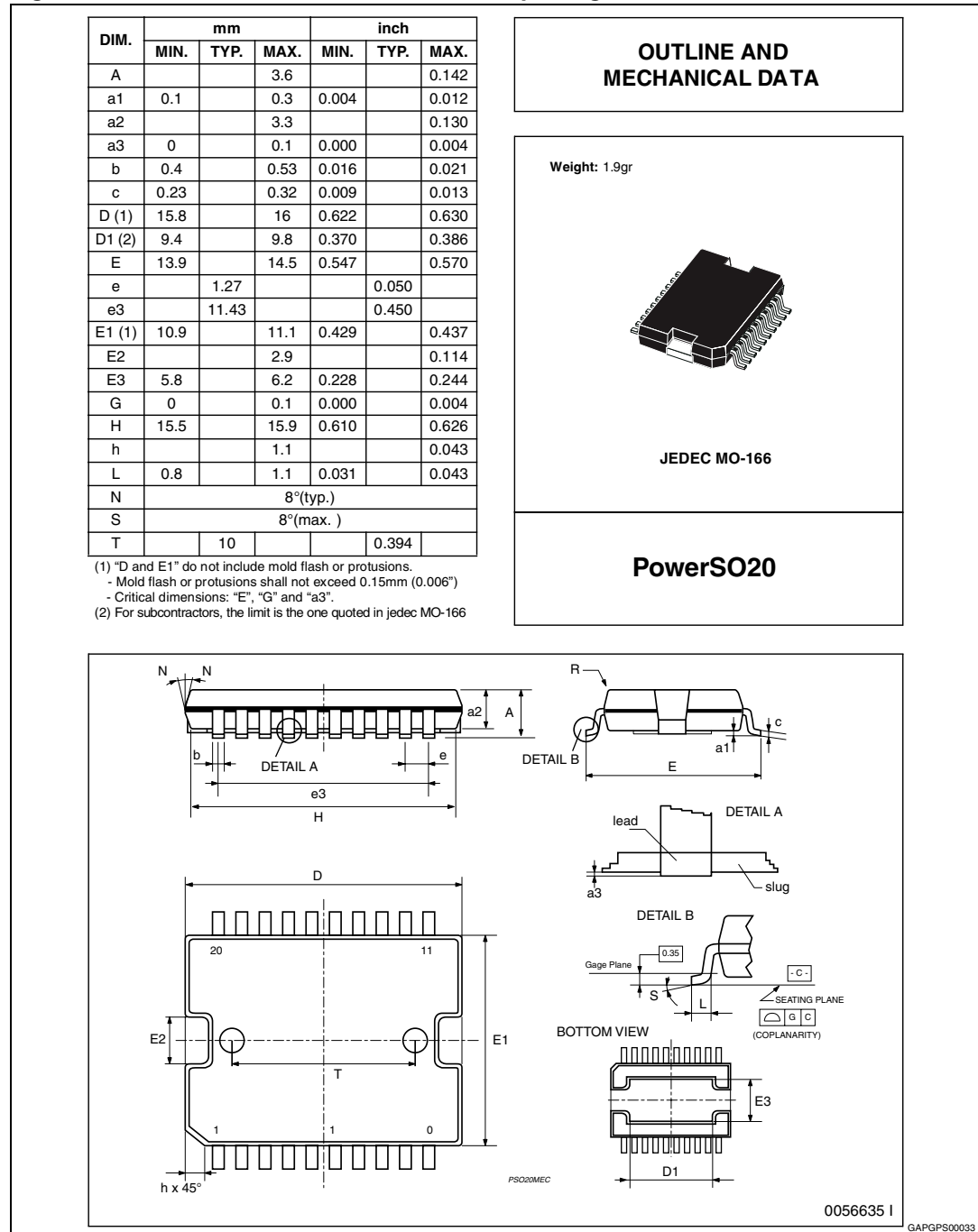
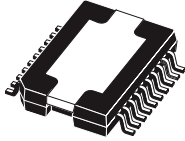


Figure 15. PowerSO20 (slug-up) mechanical data and package dimensions

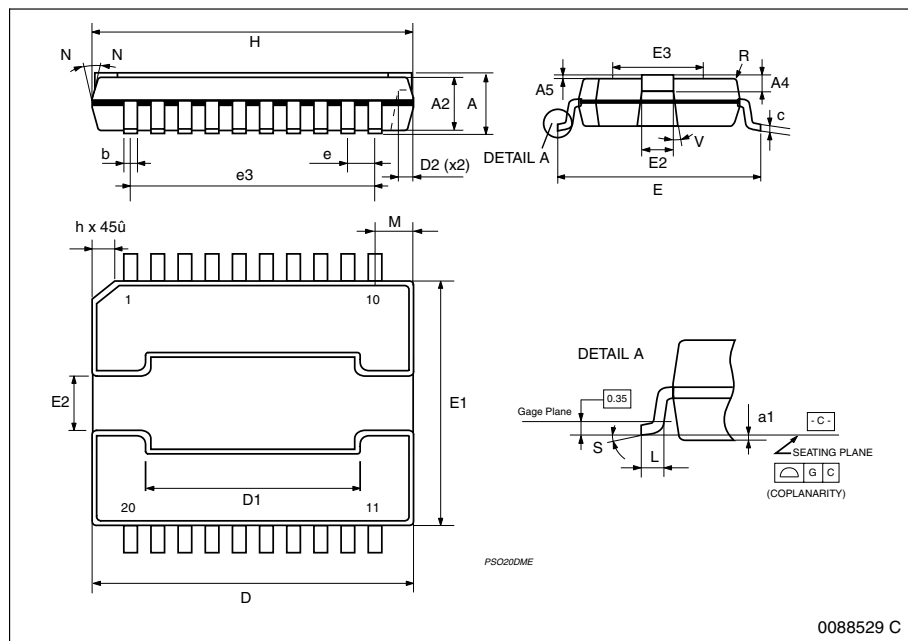
DIM.	mm			inch		
	MIN.	TYP.	MAX.	MIN.	TYP.	MAX.
A	3.25		3.5	0.128		0.138
A2	3	3.15	3.3	0.118	0.124	0.130
A4	0.8		1	0.031		0.039
A5	0.15	0.2	0.25	0.006	0.008	0.010
a1	0.030		-0.040	0.0012		-0.0016
b	0.4		0.53	0.016		0.021
c	0.23		0.32	0.009		0.012
D (1)	15.8		16	0.622		0.630
D1	9.4		9.8	0.370		0.385
D2		1			0.039	
E	13.9		14.5	0.547		0.570
E1 (1)	10.9		11.1	0.429		0.437
E2			2.9			0.114
E3	5.8		6.2	0.228		0.244
e	1.12	1.27	1.42	0.044	0.050	0.056
e3		11.43			0.450	
G	0		0.1	0		0.004
H	15.5		15.9	0.61		0.625
h			1.1			0.043
L	0.8		1.1	0.031		0.043
N	10 <sub>i</sub> (max)					
R		0.6			0.024	
S	0 <sub>i</sub> (min.) 8 <sub>i</sub> (max.)					
V	5 <sub>j</sub> (min.) 7 <sub>i</sub> (max.)					

(1)  $\phi D$  and  $E1$  do not include mold flash or protrusions.  
 - Mold flash or protrusions shall not exceed 0.15mm (0.006 $\phi$ )  
 - Critical dimensions:  $\phi O$ ,  $\phi A1$ ,  $\phi e$  and  $\phi D$ .

**OUTLINE AND MECHANICAL DATA**



**PowerSO20 (Slug-up)**



## 5 Revision history

**Table 6. Document revision history**

Date	Revision	Changes
10-Oct-1998	1	Initial release.
02-Jul-2008	2	Document reformatted. Document status promoted from product preview to datasheet. Added <a href="#">Table 1: Device summary</a> . Added ECOPACK description in <a href="#">Section 5: Package information</a> .
19-Apr-2010	3	Updated <a href="#">Table 1: Device summary</a> .
26-Jan-2011	4	Updated <a href="#">Table 1: Device summary</a> . Added PowerSO20 (slug-up) drawing in <a href="#">Figure 3</a> . Added PowerSO20 (slug-up) in <a href="#">Section 4: Package information</a> .

**Please Read Carefully:**

Information in this document is provided solely in connection with ST products. STMicroelectronics NV and its subsidiaries ("ST") reserve the right to make changes, corrections, modifications or improvements, to this document, and the products and services described herein at any time, without notice.

All ST products are sold pursuant to ST's terms and conditions of sale.

Purchasers are solely responsible for the choice, selection and use of the ST products and services described herein, and ST assumes no liability whatsoever relating to the choice, selection or use of the ST products and services described herein.

No license, express or implied, by estoppel or otherwise, to any intellectual property rights is granted under this document. If any part of this document refers to any third party products or services it shall not be deemed a license grant by ST for the use of such third party products or services, or any intellectual property contained therein or considered as a warranty covering the use in any manner whatsoever of such third party products or services or any intellectual property contained therein.

**UNLESS OTHERWISE SET FORTH IN ST'S TERMS AND CONDITIONS OF SALE ST DISCLAIMS ANY EXPRESS OR IMPLIED WARRANTY WITH RESPECT TO THE USE AND/OR SALE OF ST PRODUCTS INCLUDING WITHOUT LIMITATION IMPLIED WARRANTIES OF MERCHANTABILITY, FITNESS FOR A PARTICULAR PURPOSE (AND THEIR EQUIVALENTS UNDER THE LAWS OF ANY JURISDICTION), OR INFRINGEMENT OF ANY PATENT, COPYRIGHT OR OTHER INTELLECTUAL PROPERTY RIGHT.**

**UNLESS EXPRESSLY APPROVED IN WRITING BY AN AUTHORIZED ST REPRESENTATIVE, ST PRODUCTS ARE NOT RECOMMENDED, AUTHORIZED OR WARRANTED FOR USE IN MILITARY, AIR CRAFT, SPACE, LIFE SAVING, OR LIFE SUSTAINING APPLICATIONS, NOR IN PRODUCTS OR SYSTEMS WHERE FAILURE OR MALFUNCTION MAY RESULT IN PERSONAL INJURY, DEATH, OR SEVERE PROPERTY OR ENVIRONMENTAL DAMAGE. ST PRODUCTS WHICH ARE NOT SPECIFIED AS "AUTOMOTIVE GRADE" MAY ONLY BE USED IN AUTOMOTIVE APPLICATIONS AT USER'S OWN RISK.**

Resale of ST products with provisions different from the statements and/or technical features set forth in this document shall immediately void any warranty granted by ST for the ST product or service described herein and shall not create or extend in any manner whatsoever, any liability of ST.

ST and the ST logo are trademarks or registered trademarks of ST in various countries.

Information in this document supersedes and replaces all information previously supplied.

The ST logo is a registered trademark of STMicroelectronics. All other names are the property of their respective owners.

© 2011 STMicroelectronics - All rights reserved

STMicroelectronics group of companies

Australia - Belgium - Brazil - Canada - China - Czech Republic - Finland - France - Germany - Hong Kong - India - Israel - Italy - Japan - Malaysia - Malta - Morocco - Philippines - Singapore - Spain - Sweden - Switzerland - United Kingdom - United States of America

[www.st.com](http://www.st.com)