

MOS DIGITAL INTEGRATED CIRCUIT SILICON GATE CMOS

2 GBIT (256M × 8 BIT) CMOS NAND E²PROM

DESCRIPTION

The TC58BVG1S3HTA00 is a single 3.3V 2Gbit (2,214,592,512 bits) NAND Electrically Erasable and Programmable Read-Only Memory (NAND E²PROM) organized as (2048 + 64) bytes × 64 pages × 2048 blocks. The device has a 2112-byte static register which allows program and read data to be transferred between the register and the memory cell array in 2112-bytes increments. The Erase operation is implemented in a single block unit (128 Kbytes + 4 Kbytes: 2112 bytes × 64 pages).

The TC58BVG1S3HTA00 is a serial-type memory device which utilizes the I/O pins for both address and data input/output as well as for command inputs. The Erase and Program operations are automatically executed, making the device most suitable for applications such as solid-state file storage, voice recording, image file memory for still cameras and other systems which require high-density non-volatile memory data storage.

The TC58BVG1S3HTA00 has ECC logic on the chip and 8bit read errors for each 528Bytes can be corrected internally.

FEATURES

- Organization

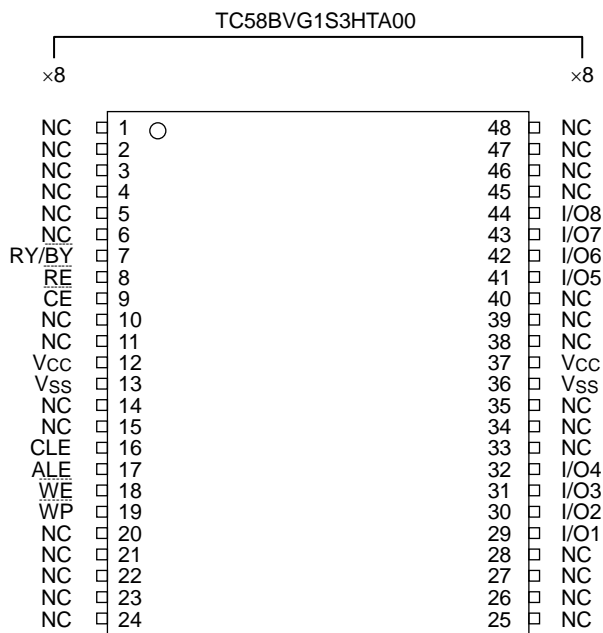
| | |
|-------------------|-------------------|
| | x8 |
| Memory cell array | 2112 × 128K × 8 |
| Register | 2112 × 8 |
| Page size | 2112 bytes |
| Block size | (128K + 4K) bytes |
- Modes
 - Read, Reset, Auto Page Program, Auto Block Erase, Status Read, Page Copy, Multi Page Read, Multi Page Program, Multi Block Erase, ECC Status Read
- Mode control
 - Serial input/output
 - Command control
- Number of valid blocks
 - Min 2008 blocks
 - Max 2048 blocks
- Power supply
 - V_{CC} = 2.7V to 3.6V
- Access time

| | |
|------------------------|--|
| Cell array to register | 40 μs typ. (Single Page Read) / 55 μs typ. (Multi Page Read) |
| Read Cycle Time | 25 ns min (C _L =50pF) |
- Program/Erase time

| | |
|-------------------|-------------------|
| Auto Page Program | 330 μs/page typ. |
| Auto Block Erase | 2.5 ms/block typ. |
- Operating current

| | |
|--------------------|-----------|
| Read (25 ns cycle) | 30 mA max |
| Program (avg.) | 30 mA max |
| Erase (avg.) | 30 mA max |
| Standby | 50 μA max |
- Package
 - TSOP I 48-P-1220-0.50 (Weight: 0.53 g typ.)
- 8bit ECC for each 528Byte is implemented on the chip.

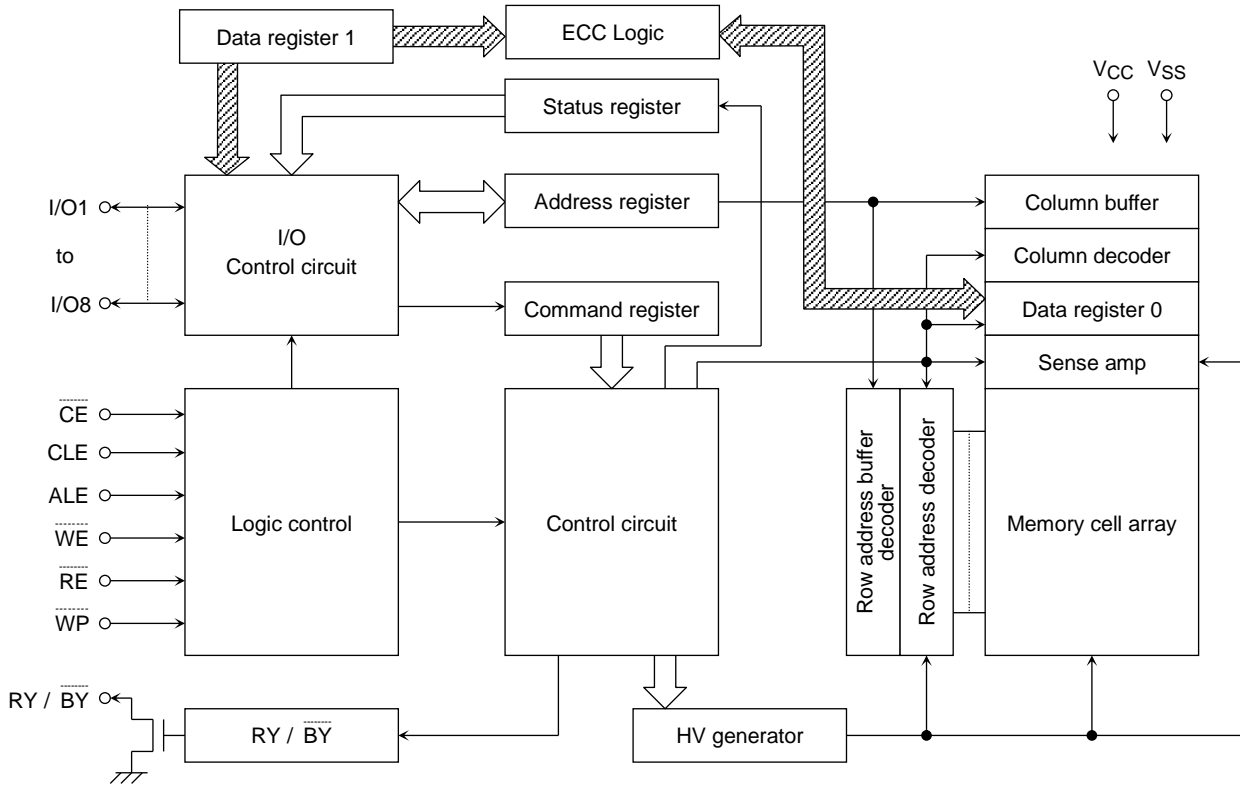
PIN ASSIGNMENT (TOP VIEW)



PIN NAMES

| I/O1 to I/O8 | I/O port |
|--------------|----------------------|
| CE | Chip enable |
| WE | Write enable |
| RE | Read enable |
| CLE | Command latch enable |
| ALE | Address latch enable |
| WP | Write protect |
| RY / BY | Ready/Busy |
| Vcc | Power supply |
| Vss | Ground |
| NC | No Connection |

BLOCK DIAGRAM



ABSOLUTE MAXIMUM RATINGS

| SYMBOL | RATING | VALUE | UNIT |
|--------|-----------------------|-----------------------------|------|
| VCC | Power Supply Voltage | -0.6 to 4.6 | V |
| VIN | Input Voltage | -0.6 to 4.6 | V |
| VI/O | Input /Output Voltage | -0.6 to VCC + 0.3 (≤ 4.6 V) | V |
| PD | Power Dissipation | 0.3 | W |
| TSTG | Storage Temperature | -55 to 150 | °C |
| TOPR | Operating Temperature | 0 to 70 | °C |

Note: Avoid locations where the device may be exposed to water (wet, rain, dew condensation, etc.)

CAPACITANCE *(Ta = 25°C, f = 1 MHz)

| SYMBOL | PARAMETER | CONDITION | MIN | MAX | UNIT |
|--------|-----------|-----------|-----|-----|------|
| CIN | Input | VIN = 0 V | — | 10 | pF |
| COUT | Output | VOU = 0 V | — | 10 | pF |

* This parameter is periodically sampled and is not tested for every device.

VALID BLOCKS

| SYMBOL | PARAMETER | MIN | TYP. | MAX | UNIT |
|--------|------------------------|------|------|------|--------|
| NvB | Number of Valid Blocks | 2008 | — | 2048 | Blocks |

NOTE: The device occasionally contains unusable blocks. Refer to Application Note (13) toward the end of this document.

The first block (Block 0) is guaranteed to be a valid block at the time of shipment.

The specification for the minimum number of valid blocks is applicable over lifetime.

DC OPERATING CONDITIONS

| SYMBOL | PARAMETER | MIN | TYP. | MAX | UNIT |
|-----------------|--------------------------|-----------------------|------|-----------------------|------|
| VCC | Power Supply Voltage | 2.7 | — | 3.6 | V |
| V _{IH} | High Level Input Voltage | V _{CC} x 0.8 | — | V _{CC} + 0.3 | V |
| V _{IL} | Low Level Input Voltage | -0.3* | — | V _{CC} x 0.2 | V |

* -2 V (pulse width lower than 20 ns)

DC CHARACTERISTICS (Ta = 0 to 70°C, VCC = 2.7 to 3.6V)

| SYMBOL | PARAMETER | CONDITION | MIN | TYP. | MAX | UNIT |
|--|--|---|-----------------------|------|-----|------|
| I _{IL} | Input Leakage Current | V _{IN} = 0 V to V _{CC} | — | — | ±10 | μA |
| I _{LO} | Output Leakage Current | V _{OUT} = 0 V to V _{CC} | — | — | ±10 | μA |
| I _{CCO1} | Serial Read Current | $\overline{CE} = V_{IL}$, I _{OUT} = 0 mA, t _{RC} = 25 ns | — | — | 30 | mA |
| I _{CCO2} | Programming Current | — | — | — | 30 | mA |
| I _{CCO3} | Erasing Current | — | — | — | 30 | mA |
| I _{CCS} | Standby Current | $\overline{CE} = V_{CC} - 0.2 V$, $\overline{WP} = 0 V/V_{CC}$ | — | — | 50 | μA |
| V _{OH} | High Level Output Voltage | I _{OH} = -0.1 mA | V _{CC} - 0.2 | — | — | V |
| V _{OL} | Low Level Output Voltage | I _{OL} = 0.1 mA | — | — | 0.2 | V |
| I _{OL} (R _Y / \overline{BY}) | Output Current of R _Y / \overline{BY} pin | V _{OL} = 0.2 V | — | 4 | — | mA |

AC CHARACTERISTICS AND OPERATING CONDITIONS

(Ta = 0 to 70°C, Vcc = 2.7 to 3.6V)

| SYMBOL | PARAMETER | MIN | MAX | UNIT |
|--------|--|-----|------------|------|
| tCLS | CLE Setup Time | 12 | — | ns |
| tCLH | CLE Hold Time | 5 | — | ns |
| tCS | CE Setup Time | 20 | — | ns |
| tCH | CE Hold Time | 5 | — | ns |
| tWP | Write Pulse Width | 12 | — | ns |
| tALS | ALE Setup Time | 12 | — | ns |
| tALH | ALE Hold Time | 5 | — | ns |
| tDS | Data Setup Time | 12 | — | ns |
| tDH | Data Hold Time | 5 | — | ns |
| tWC | Write Cycle Time | 25 | — | ns |
| tWH | WE High Hold Time | 10 | — | ns |
| tWW | WP High to WE Low | 100 | — | ns |
| tRR | Ready to RE Falling Edge | 20 | — | ns |
| tRW | Ready to WE Falling Edge | 20 | — | ns |
| tRP | Read Pulse Width | 12 | — | ns |
| tRC | Read Cycle Time | 25 | — | ns |
| tREA | RE Access Time | — | 20 | ns |
| tCEA | CE Access Time | — | 25 | ns |
| tCLR | CLE Low to RE Low | 10 | — | ns |
| tAR | ALE Low to RE Low | 10 | — | ns |
| tRHOH | RE High to Output Hold Time | 25 | — | ns |
| tRLOH | RE Low to Output Hold Time | 5 | — | ns |
| tRHZ | RE High to Output High Impedance | — | 60 | ns |
| tCHZ | CE High to Output High Impedance | — | 20 | ns |
| tCSD | CE High to ALE or CLE Don't Care | 0 | — | ns |
| tREH | RE High Hold Time | 10 | — | ns |
| tIR | Output-High-Impedance-to-RE Falling Edge | 0 | — | ns |
| tRHW | RE High to WE Low | 30 | — | ns |
| tWHC | WE High to CE Low | 30 | — | ns |
| tWHR | WE High to RE Low | 60 | — | ns |
| tWB | WE High to Busy | — | 100 | ns |
| tRST | Device Reset Time (Ready/Read/Program/Erase) | — | 5/5/10/500 | μs |

*1: tCLS and tALS cannot be shorter than tWP.

*2: tCS should be longer than tWP + 8ns.

AC TEST CONDITIONS

| PARAMETER | CONDITION |
|--------------------------------|--------------------------------|
| | V _{CC} : 2.7 to 3.6V |
| Input level | V _{CC} -0.2V, 0.2V |
| Input pulse rise and fall time | 3 ns |
| Input comparison level | V _{CC} / 2 |
| Output data comparison level | V _{CC} / 2 |
| Output load | C _L (50 pF) + 1 TTL |

Note: Busy to ready time depends on the pull-up resistor tied to the RY / BY pin.
(Refer to Application Note (9) toward the end of this document)

PROGRAMMING / ERASING / READING CHARACTERISTICS

(T_a = 0 to 70°C, V_{CC} = 2.7 to 3.6V)

| SYMBOL | PARAMETER | MIN | TYP. | MAX | UNIT | NOTES |
|----------------------|---|-----|------|-----|------|-------|
| t _{PROG} | Average Programming Time (Single Page) | — | 330 | 700 | μs | |
| | Average Programming Time (Multi Page) | — | 350 | 700 | μs | |
| t _{DCBSYW1} | Busy Time in Multi Page Program(following 11h) | — | 0.5 | 1 | μs | |
| N | Number of Partial Program Cycles in the Same Page | — | — | 4 | | (1) |
| t _{BERASE} | Block Erasing Time | — | 2.5 | 5 | ms | |
| t _R | Memory Cell Array to Starting Address (Single Page) | — | 40 | 120 | μs | |
| | Memory Cell Array to Starting Address (Multi Page) | — | 55 | 200 | | |

(1) Refer to Application Note (12) toward the end of this document.

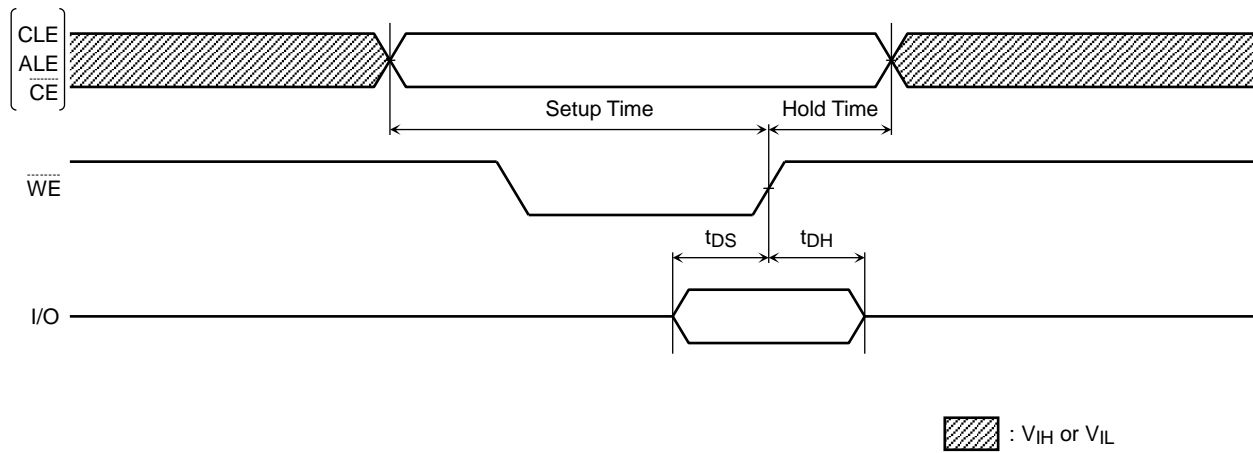
Data Output

When t_{REH} is long, output buffers are disabled by /RE=High, and the hold time of data output depends on t_{RHOH} (25ns MIN). Under this condition, the waveforms look like Normal Serial Read Mode.

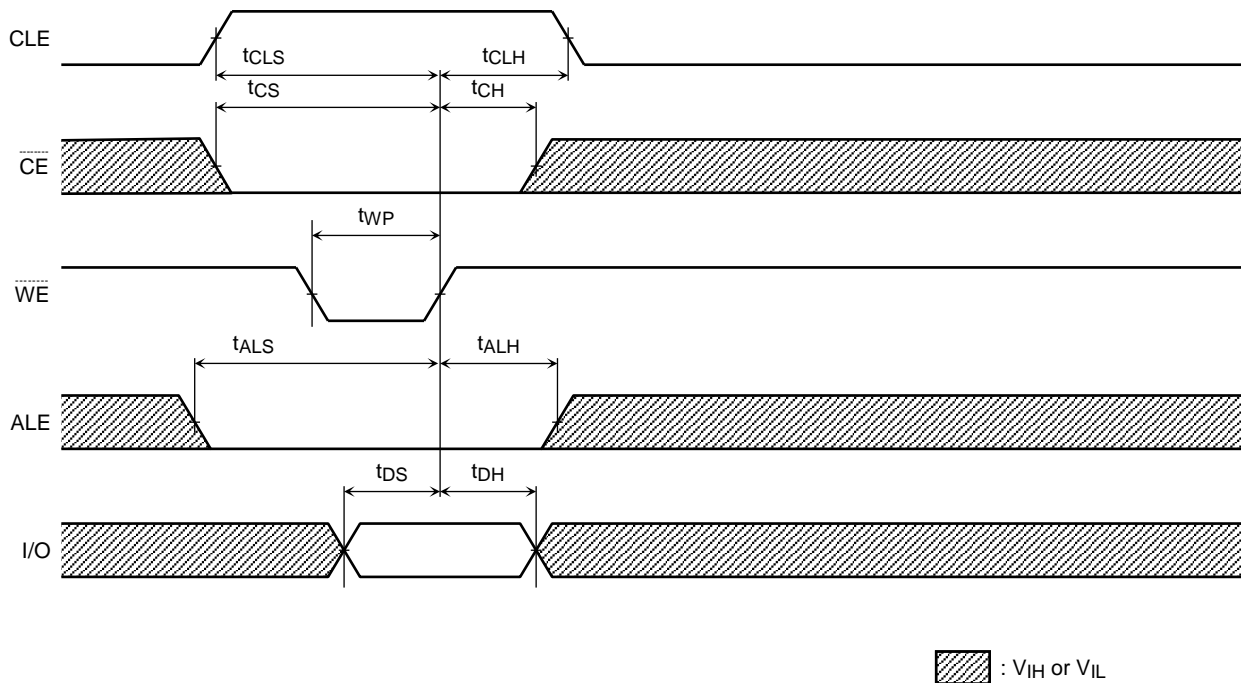
When t_{REH} is short, output buffers are not disabled by /RE=High, and the hold time of data output depends on t_{RLOH} (5ns MIN). Under this condition, output buffers are disabled by the rising edge of CLE, ALE, /CE or the falling edge of /WE, and waveforms look like Extended Data Output Mode.

TIMING DIAGRAMS

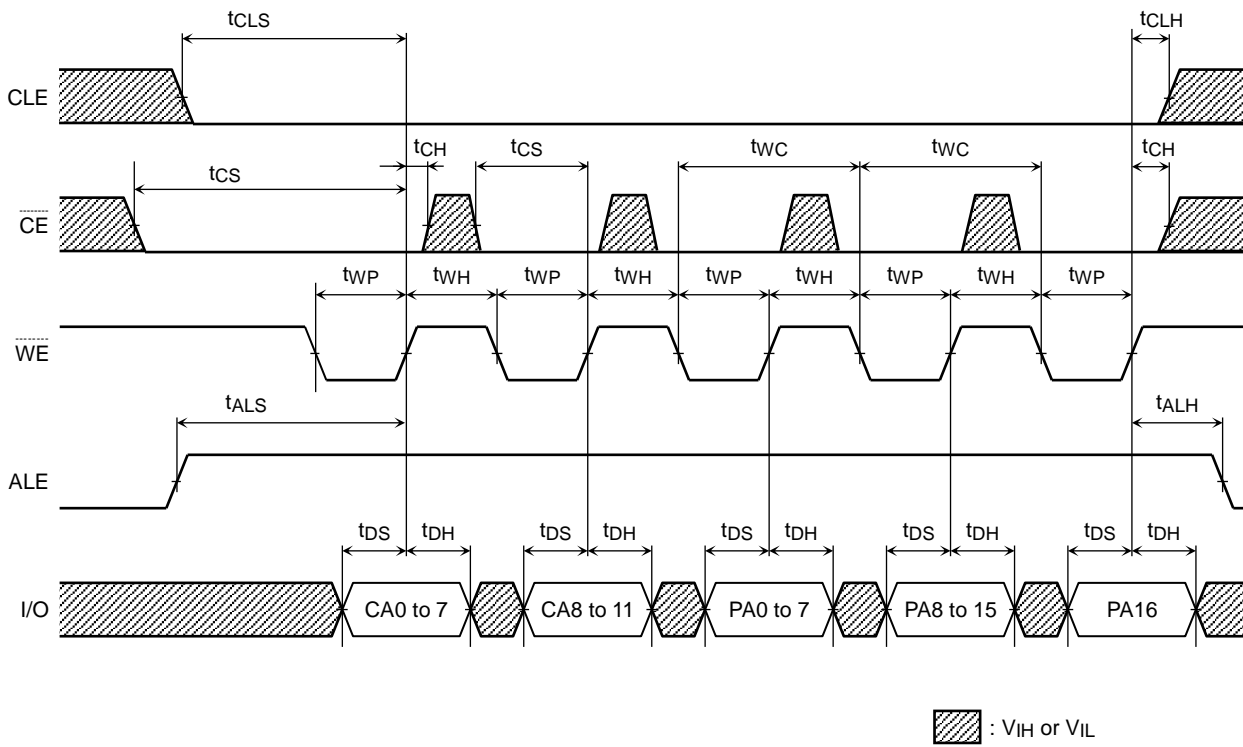
Latch Timing Diagram for Command/Address/Data



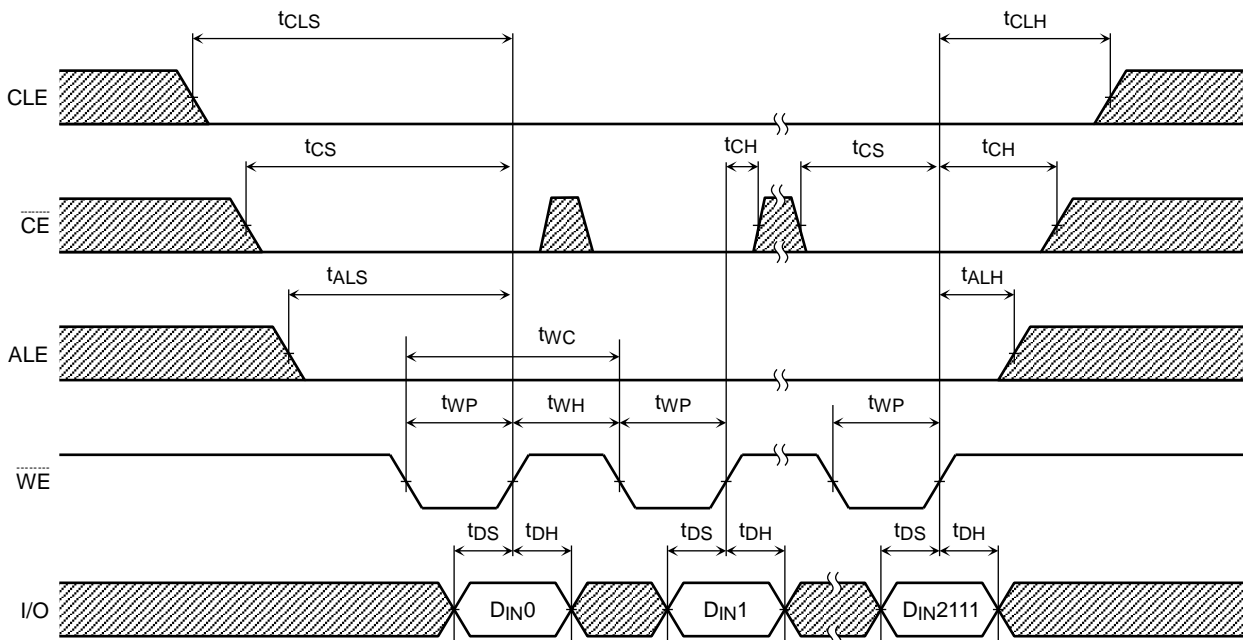
Command Input Cycle Timing Diagram



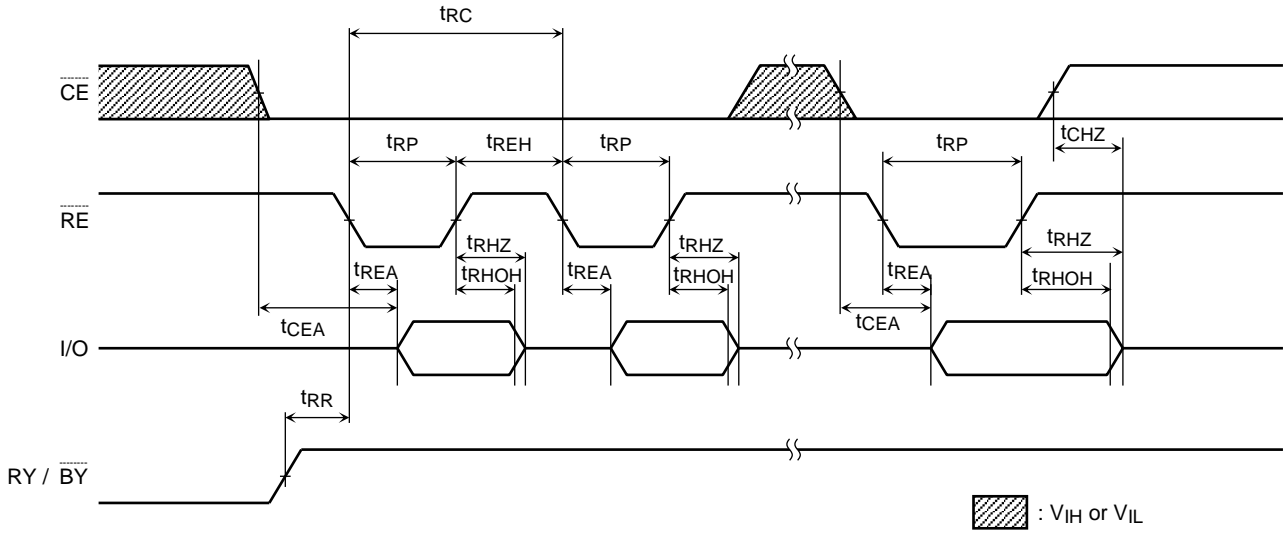
Address Input Cycle Timing Diagram



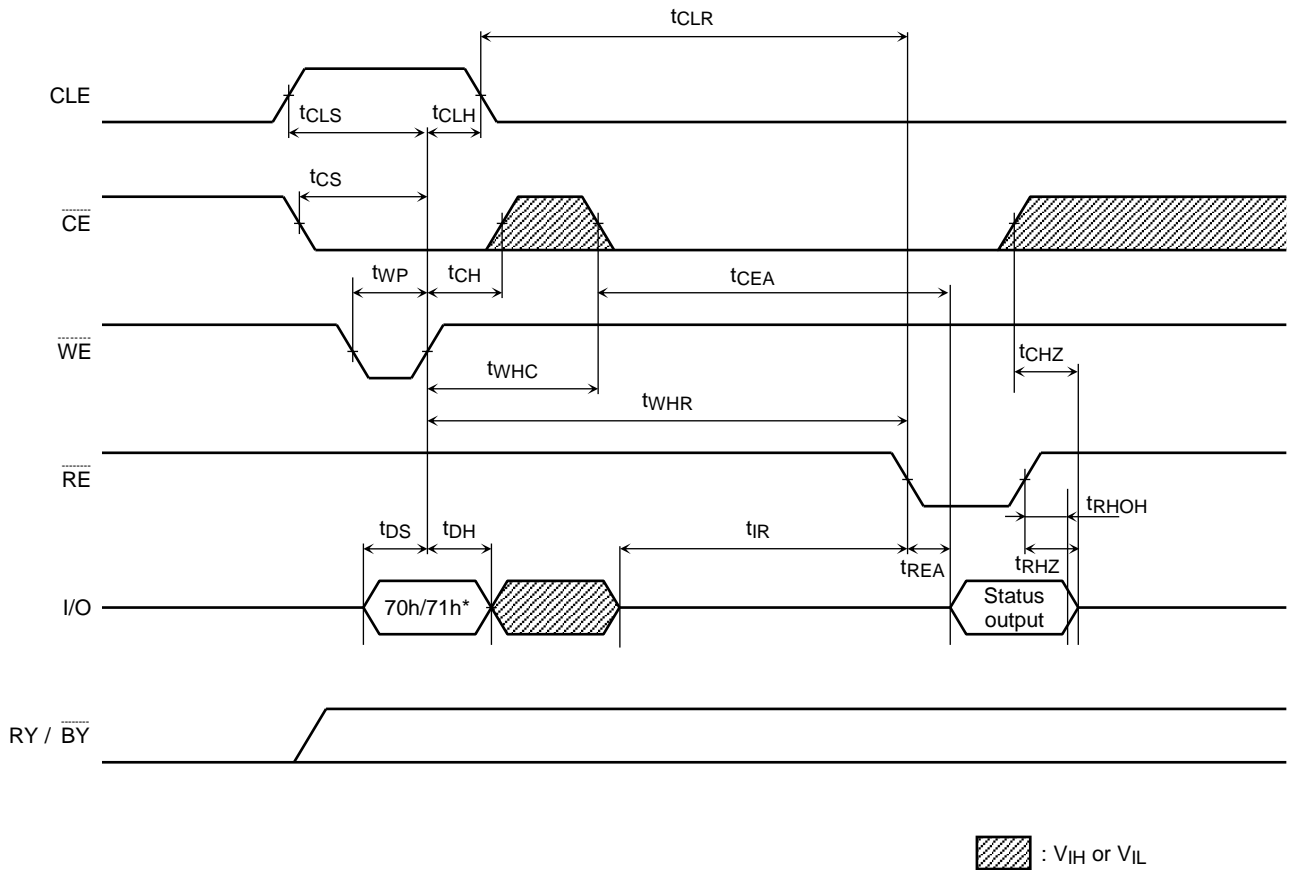
Data Input Cycle Timing Diagram



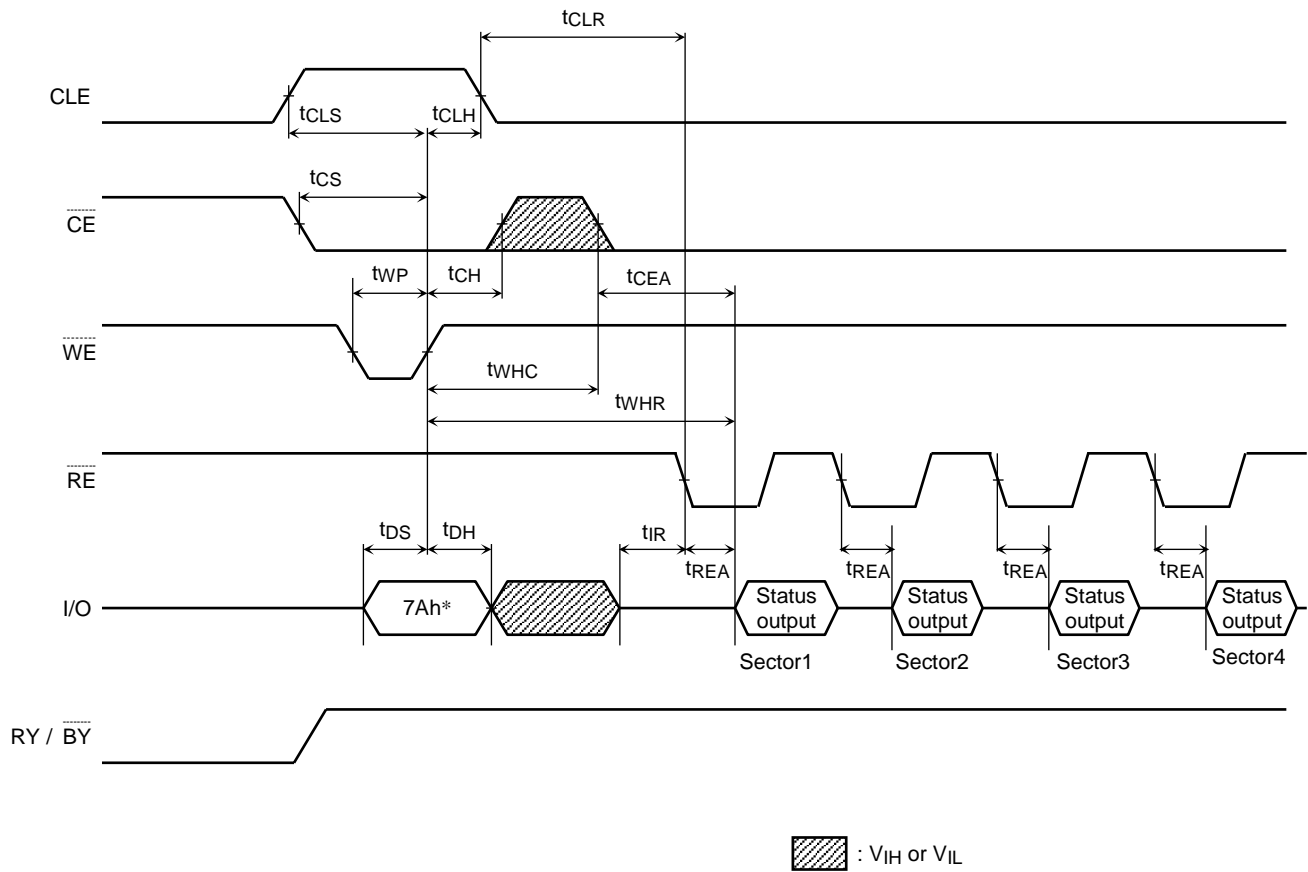
Serial Read Cycle Timing Diagram



Status Read Cycle Timing Diagram



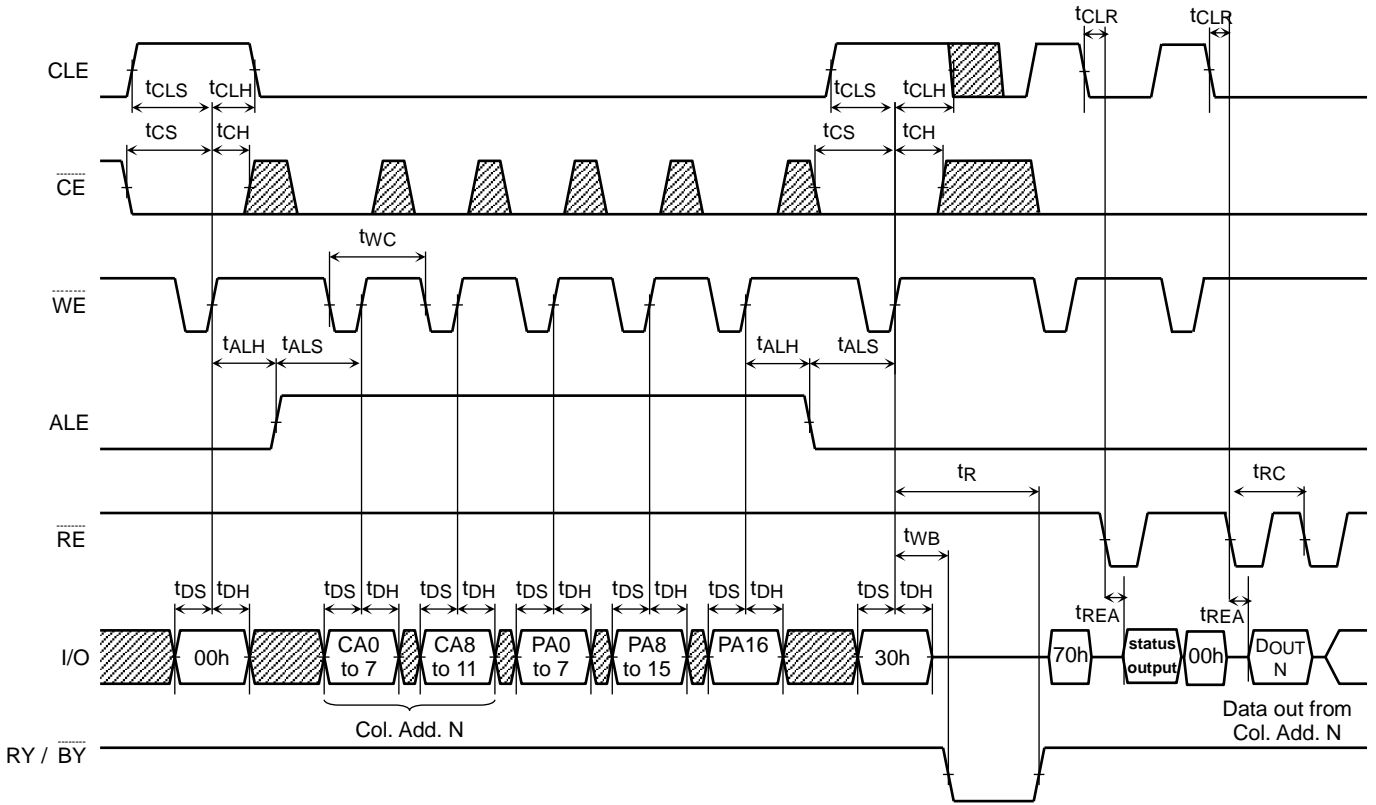
ECC Status Read Cycle Timing Diagram



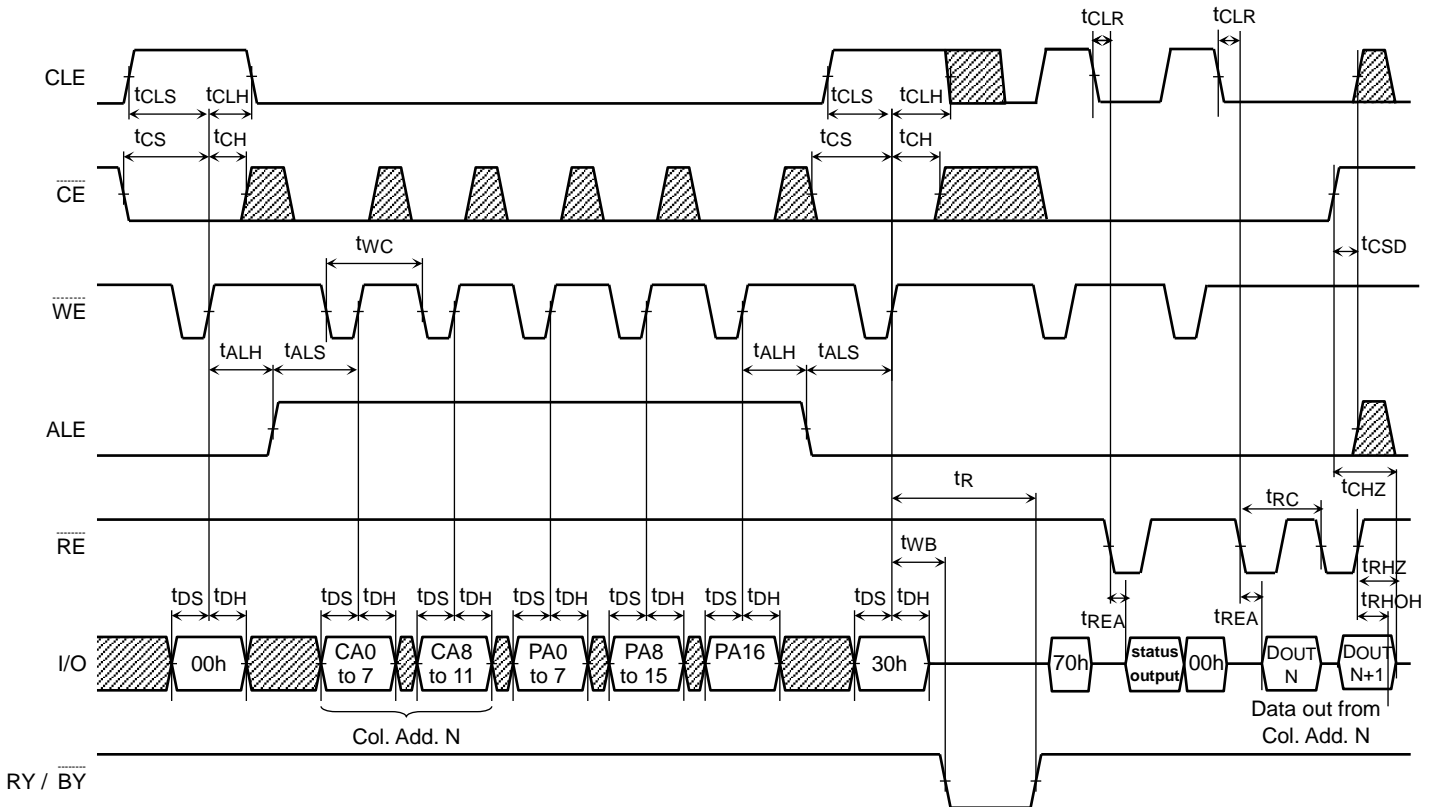
* ECC Status output should be read for all 4 sector information.

** 7Ah command can be input to the device from [after RY / BY returns to High] to [before Dout or Next command input].

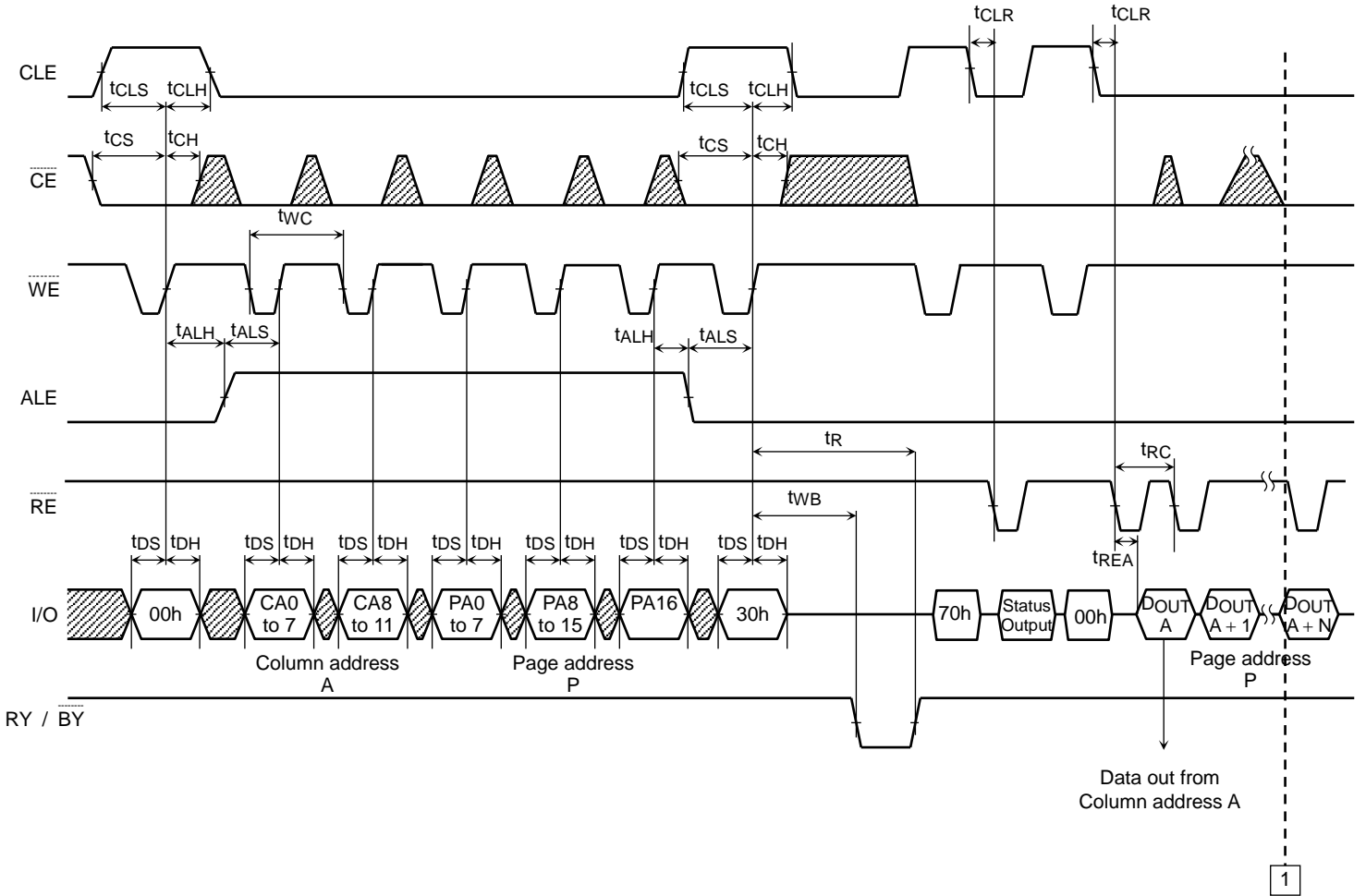
Read Cycle Timing Diagram



Read Cycle Timing Diagram: When Interrupted by CE

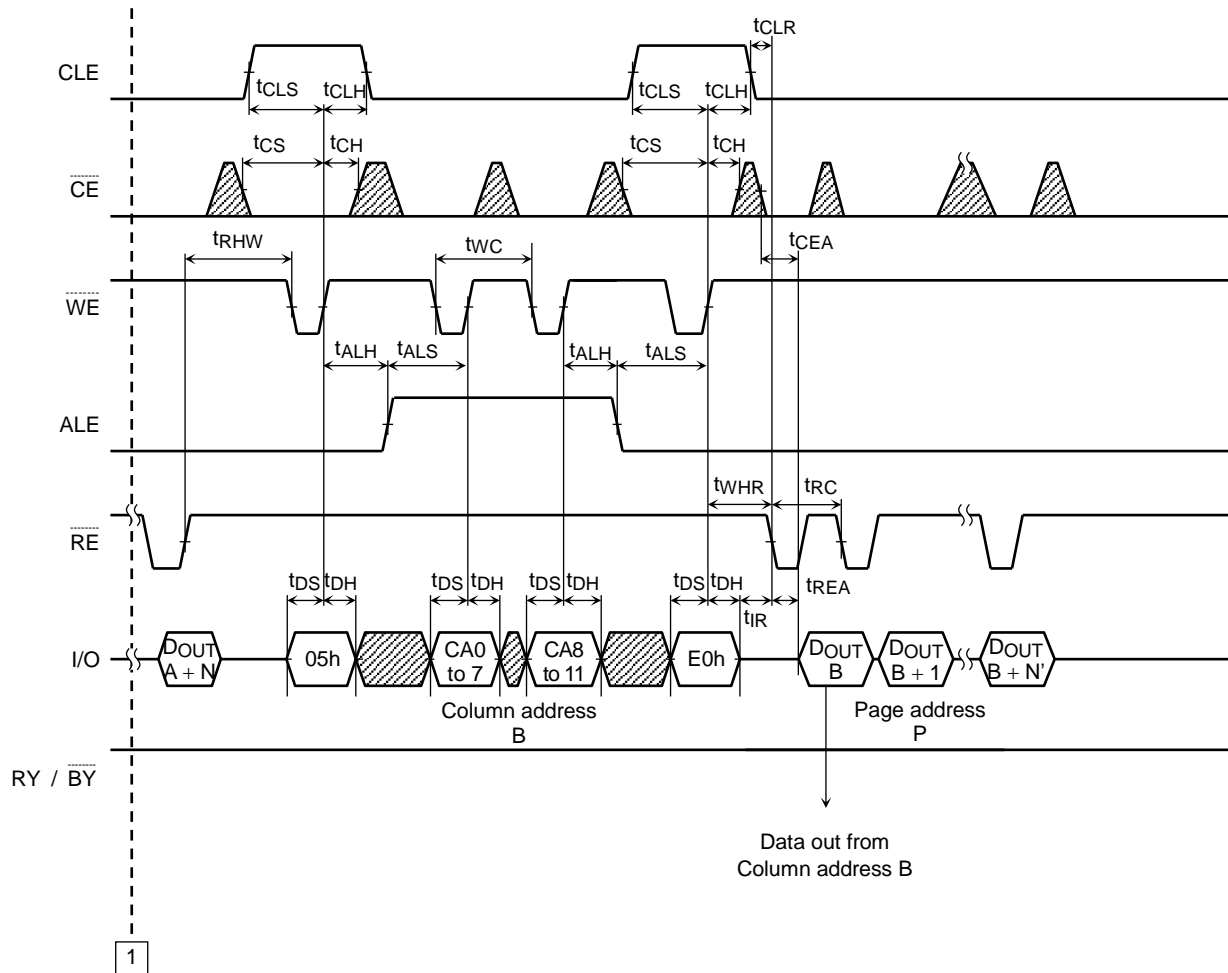


Column Address Change in Read Cycle Timing Diagram (1/2)



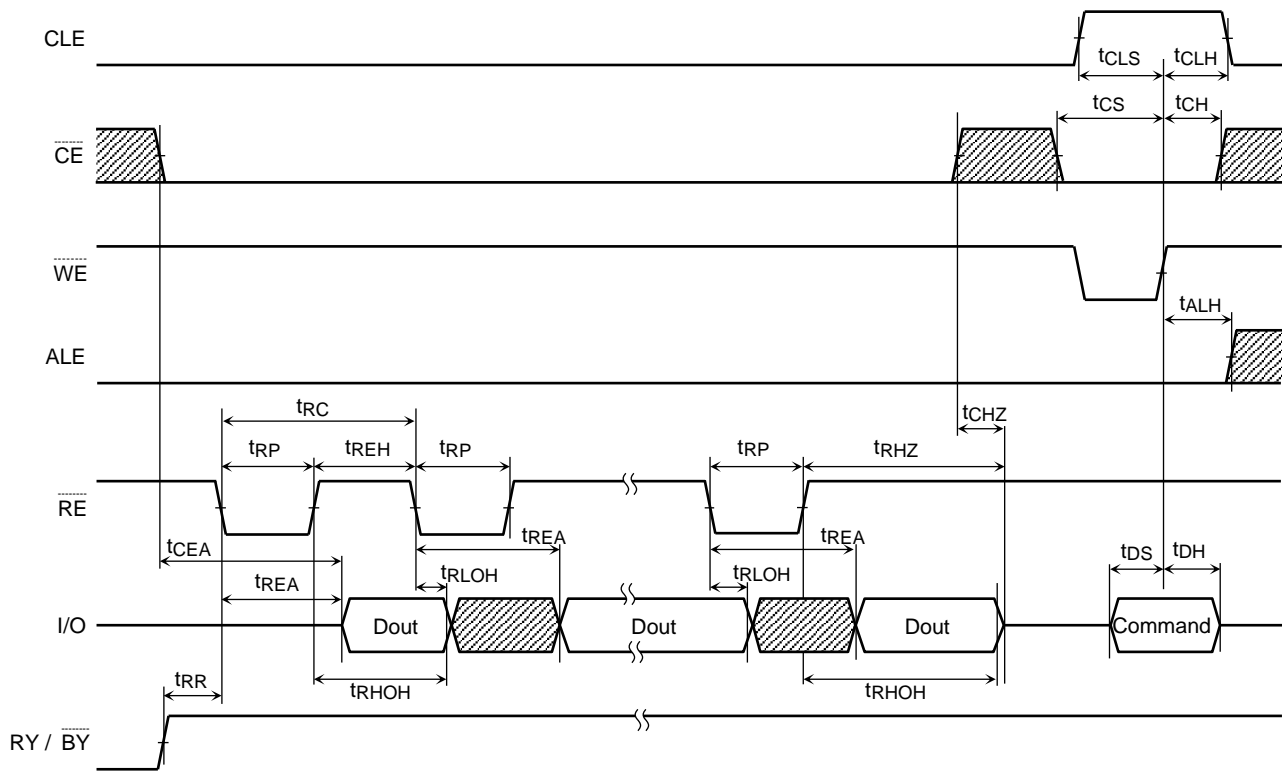
Continues to 1 of next page

Column Address Change in Read Cycle Timing Diagram (2/2)

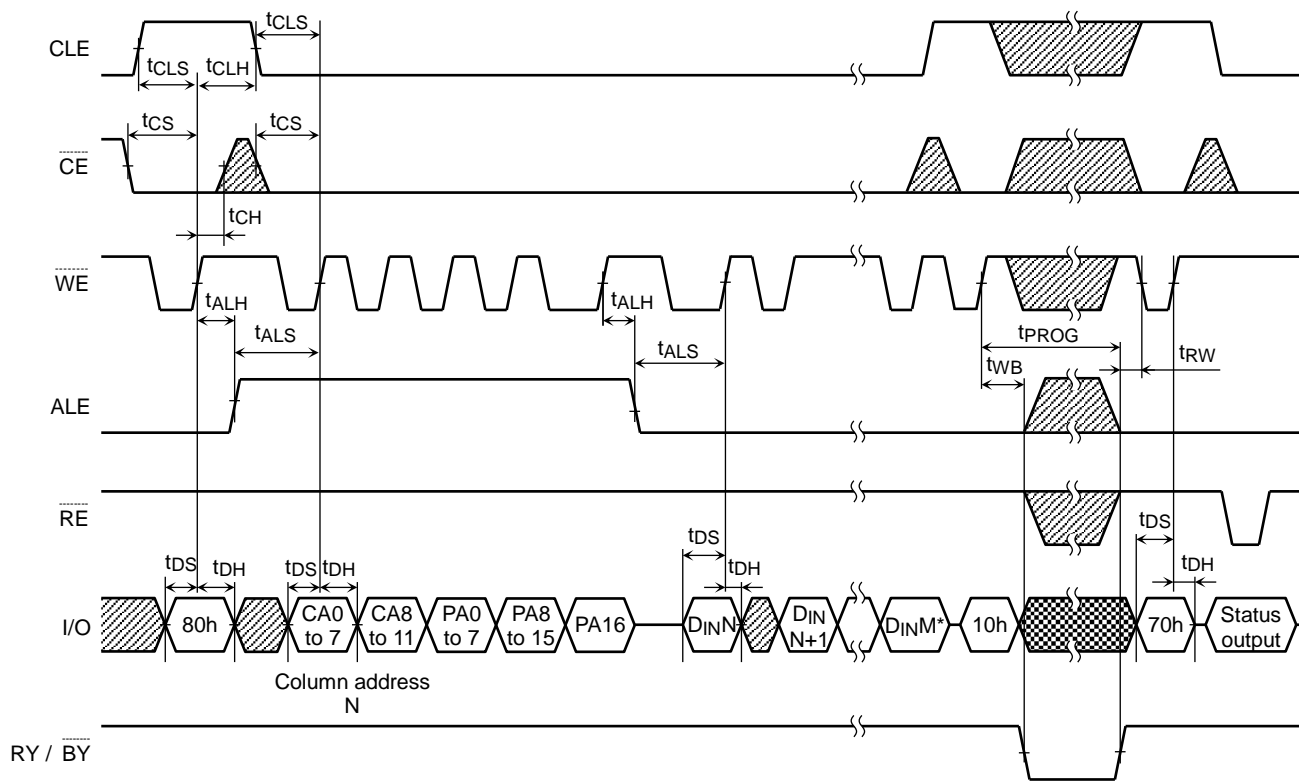




Continues from 1 of previous page

Data Output Timing Diagram



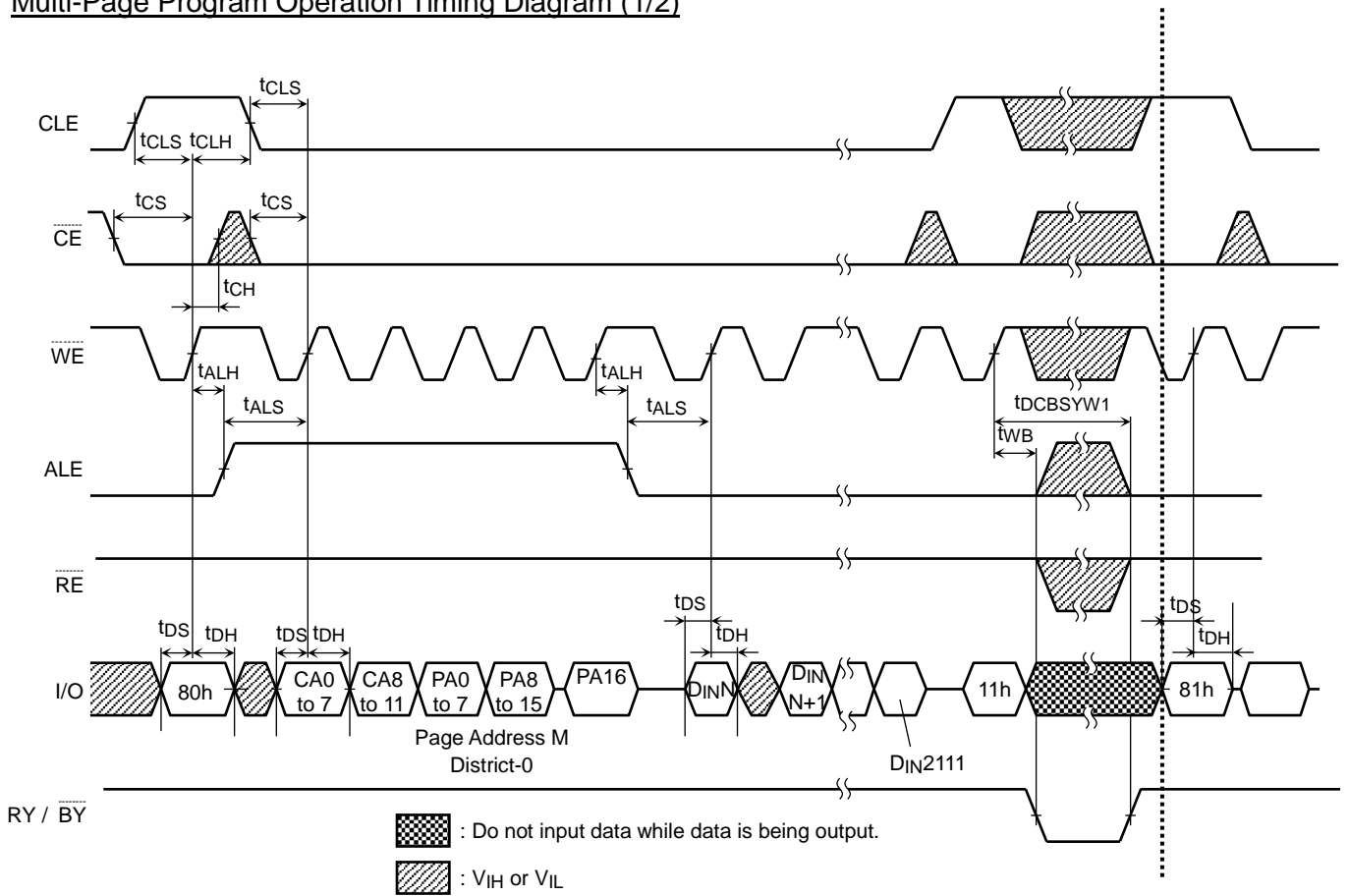
Auto-Program Operation Timing Diagram



 : Do not input data while data is being output.
 : V_{IH} or V_{IL}

* M: up to 2111

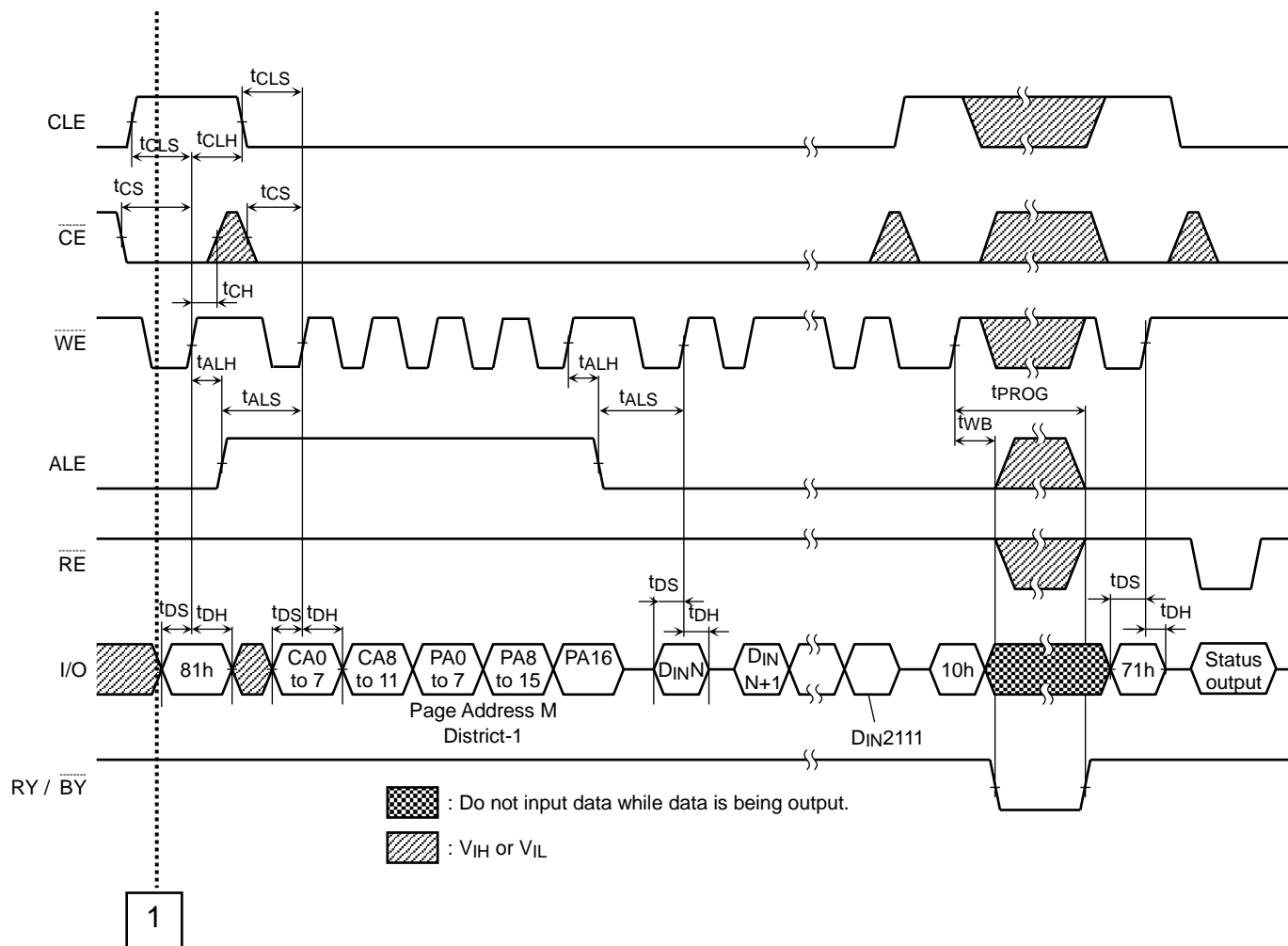
Multi-Page Program Operation Timing Diagram (1/2)



1

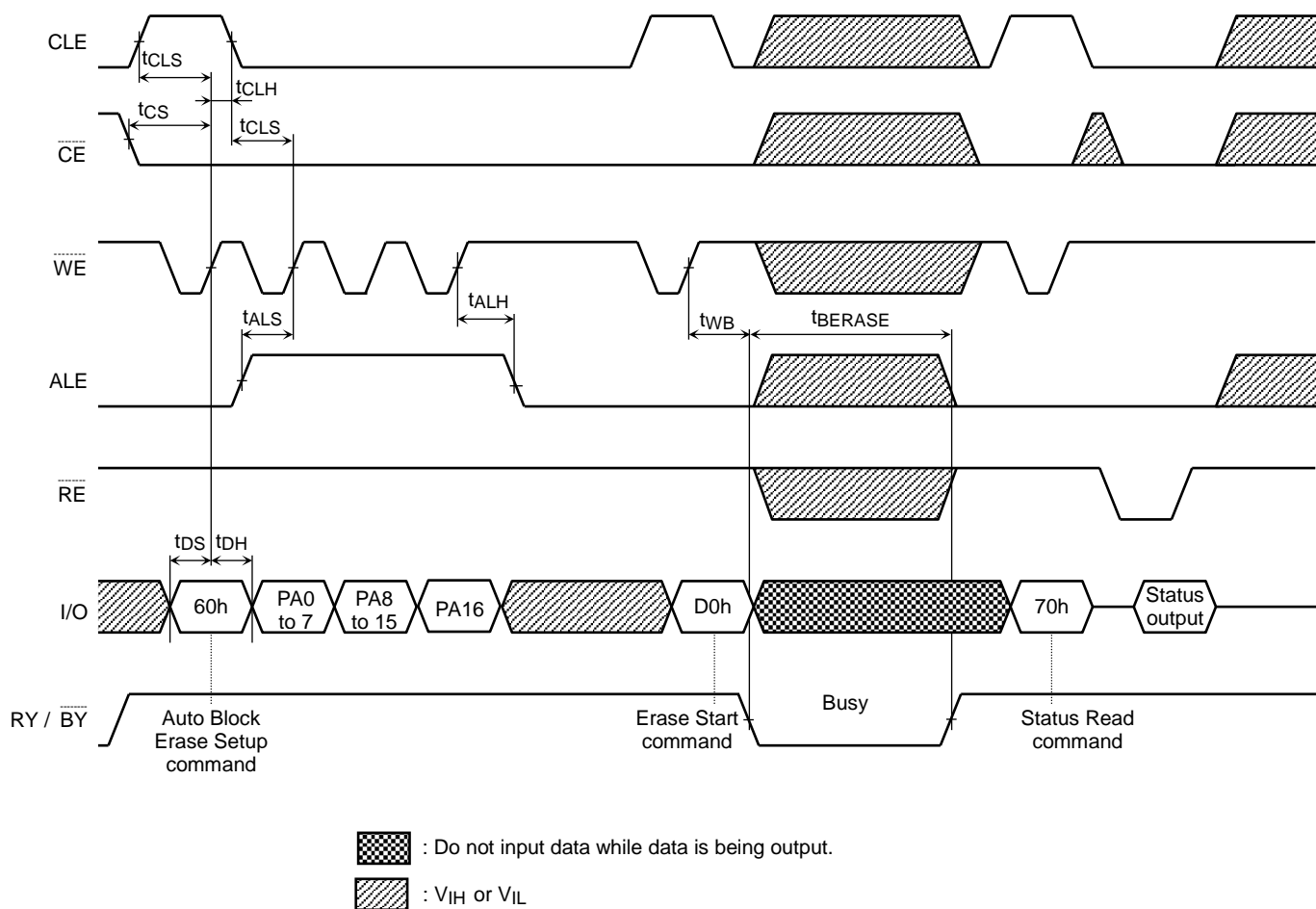
Continues to 1 of next page

Multi-Page Program Operation Timing Diagram (2/2)

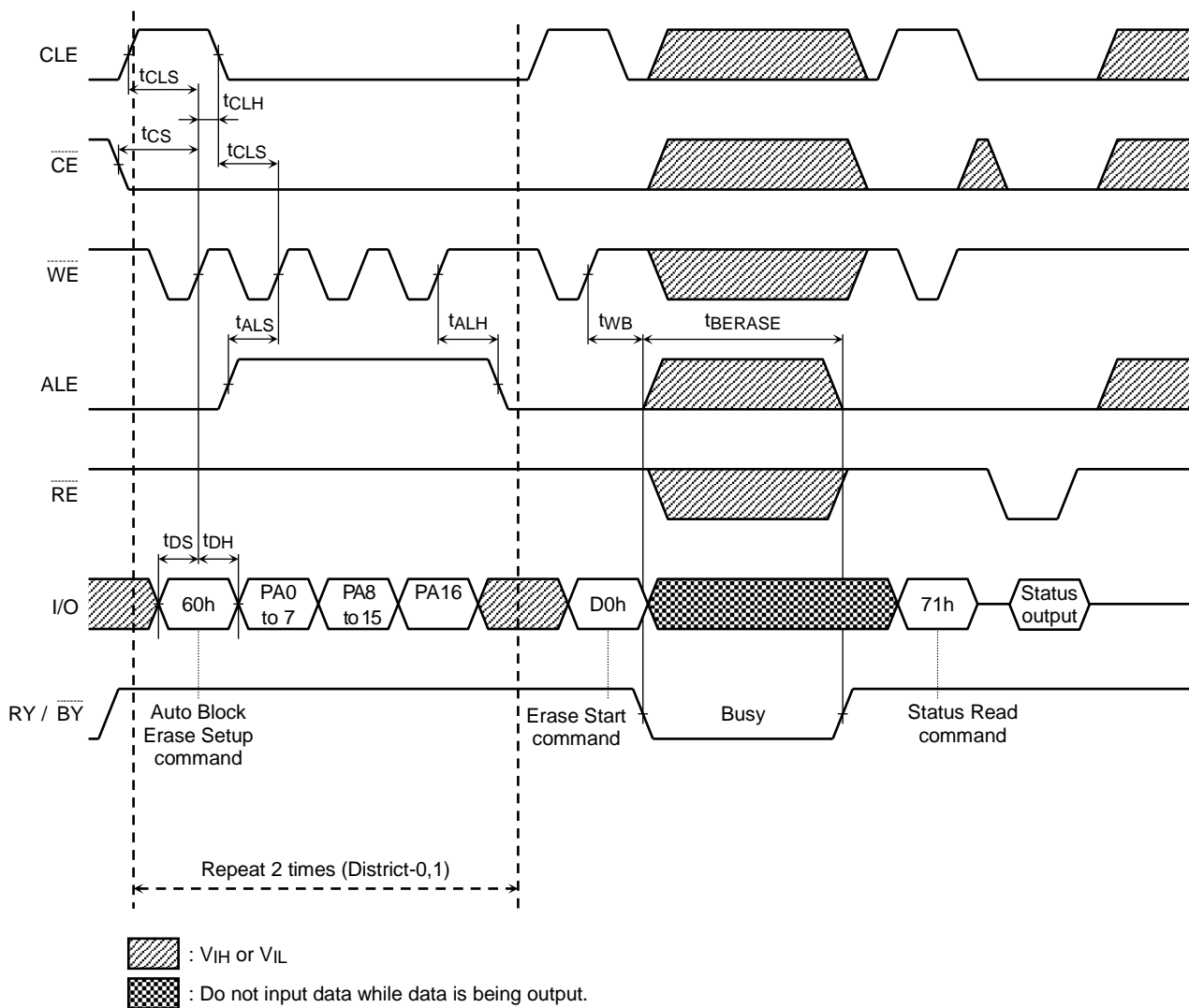


Continues from 1 of previous page

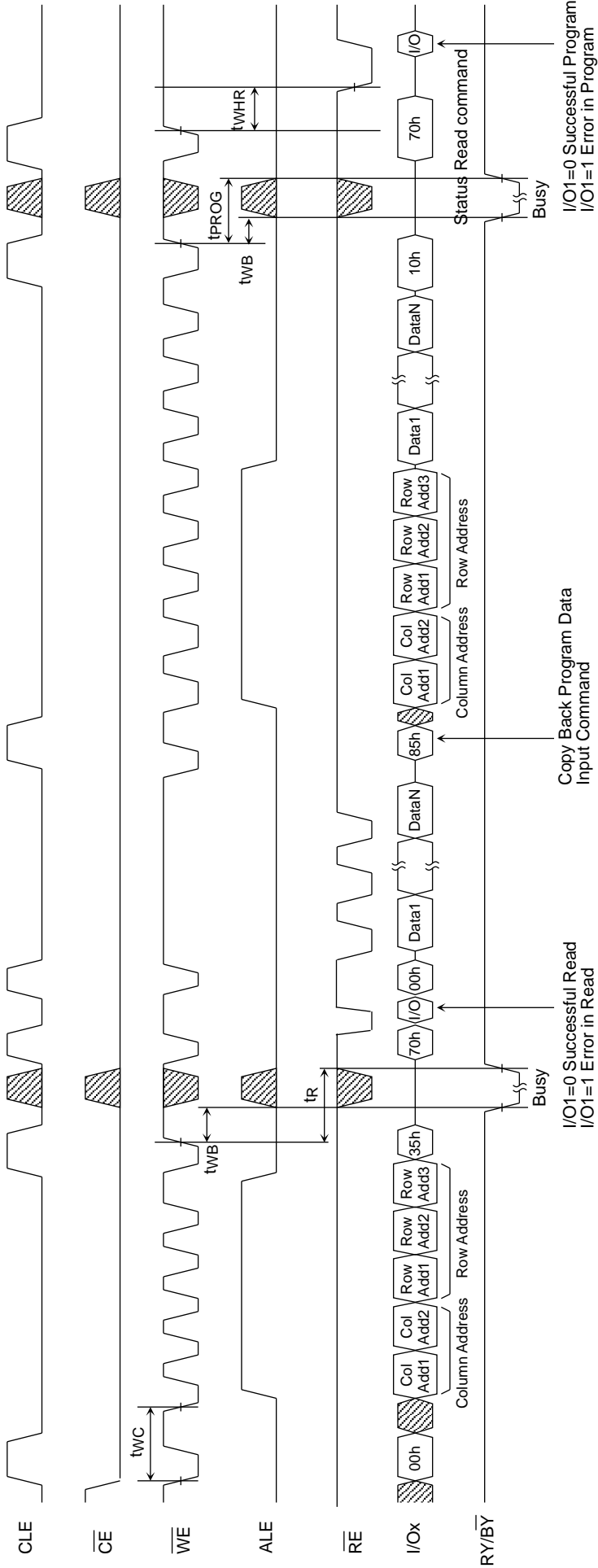
Auto Block Erase Timing Diagram



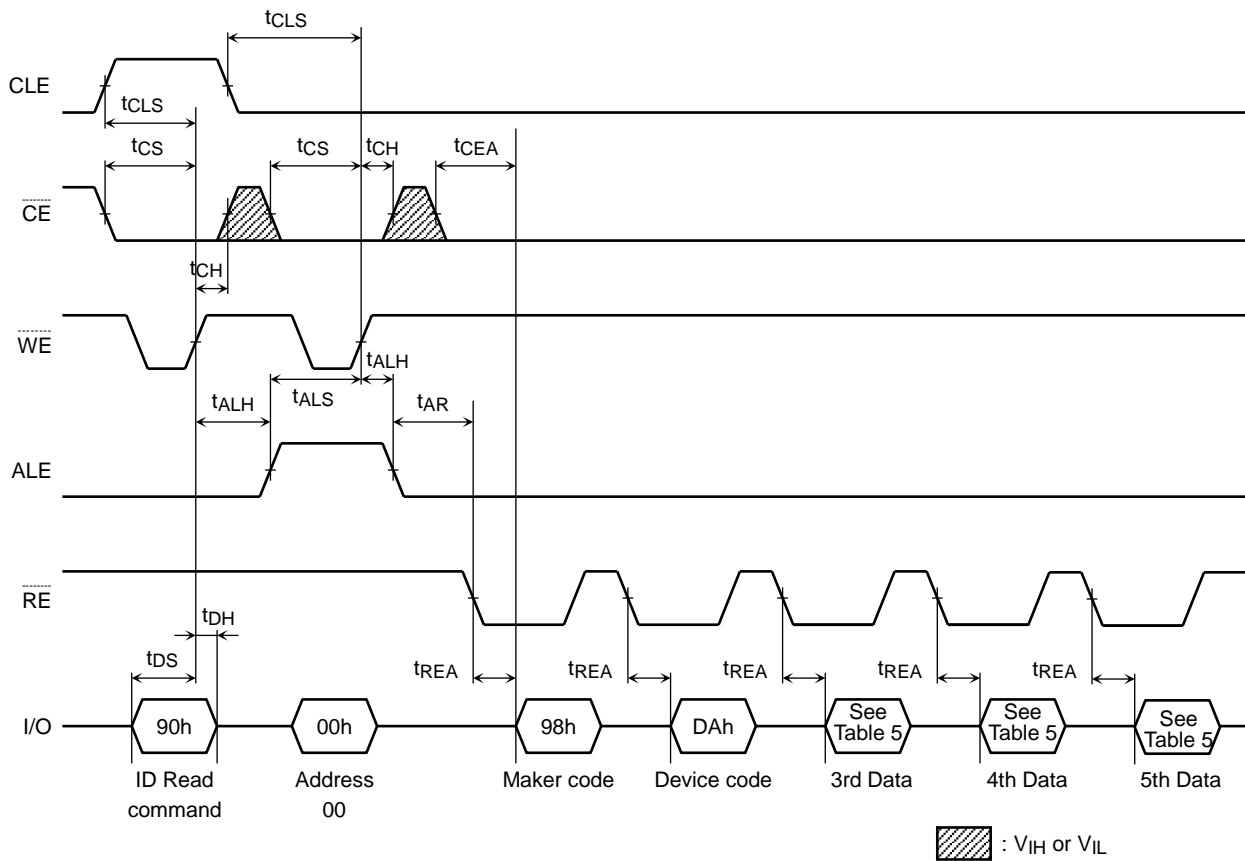
Multi Block Erase Timing Diagram



Copy Back Program with Random Data Input



ID Read Operation Timing Diagram



PIN FUNCTIONS

The device is a serial access memory which utilizes time-sharing input of address information.

Command Latch Enable: CLE

The CLE input signal is used to control loading of the operation mode command into the internal command register. The command is latched into the command register from the I/O port on the rising edge of the \overline{WE} signal while CLE is High.

Address Latch Enable: ALE

The ALE signal is used to control loading address information into the internal address register. Address information is latched into the address register from the I/O port on the rising edge of \overline{WE} while ALE is High.

Chip Enable: \overline{CE}

The device goes into a low-power Standby mode when \overline{CE} goes High while the device is in Ready state. The \overline{CE} signal is ignored when the device is in Busy state ($RY / \overline{BY} = L$), such as during a Program, Erase or Read operation, and will not enter Standby mode even if the \overline{CE} input goes High.

Write Enable: \overline{WE}

The \overline{WE} signal is used to control the acquisition of data from the I/O port.

Read Enable: \overline{RE}

The \overline{RE} signal controls serial data output. Data is available t_{REA} after the falling edge of \overline{RE} . The internal column address counter is also incremented (Address = Address + 1) on this falling edge.

I/O Port: I/O1 to 8

The I/O1 to 8 pins are used as a port for transferring address, command and input/output data to and from the device.

Write Protect: \overline{WP}

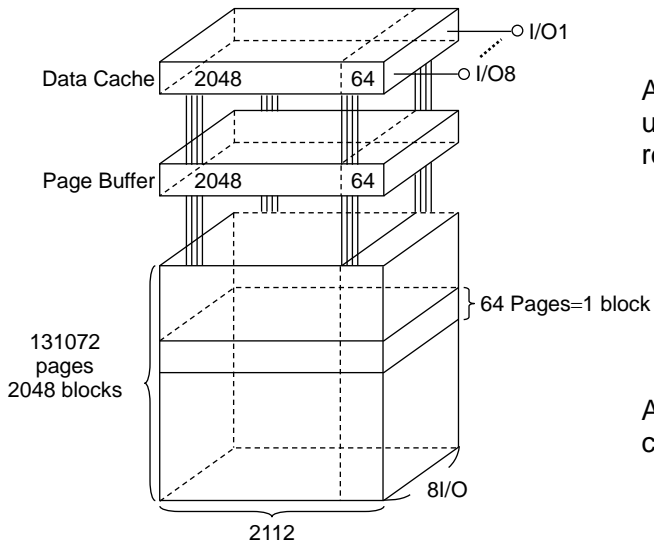
The \overline{WP} signal is used to protect the device from accidental programming or erasing. The internal voltage regulator is reset when \overline{WP} is Low. This signal is usually used to protect the data during the power-on/off sequence when input signals are invalid.

Ready/Busy: RY / \overline{BY}

The RY / \overline{BY} output signal is used to indicate the operating condition of the device. The RY / \overline{BY} signal is in Busy state ($RY / \overline{BY} = L$) during the Program, Erase and Read operations and will return to Ready state ($RY / \overline{BY} = H$) after completion of the operation. The output buffer for this signal is an open drain and has to be pulled up to V_{CC} with an appropriate resistor.

Schematic Cell Layout and Address Assignment

The Program operation works on page units while the Erase operation works on block units.



A page consists of 2112 bytes in which 2048 bytes are used for main memory storage and 64 bytes are for redundancy or for other uses.

1 page = 2112 bytes

1 block = 2112 bytes × 64 pages = (128K + 4K) bytes

Capacity = 2112 bytes × 64 pages × 2048 blocks

An address is read in via the I/O port over five consecutive clock cycles, as shown in Table 1.

Table 1. Addressing

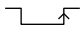
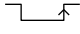
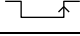
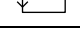
| | I/O8 | I/O7 | I/O6 | I/O5 | I/O4 | I/O3 | I/O2 | I/O1 |
|--------------|------|------|------|------|------|------|------|------|
| First cycle | CA7 | CA6 | CA5 | CA4 | CA3 | CA2 | CA1 | CA0 |
| Second cycle | L | L | L | L | CA11 | CA10 | CA9 | CA8 |
| Third cycle | PA7 | PA6 | PA5 | PA4 | PA3 | PA2 | PA1 | PA0 |
| Fourth cycle | PA15 | PA14 | PA13 | PA12 | PA11 | PA10 | PA9 | PA8 |
| Fifth cycle | L | L | L | L | L | L | L | PA16 |

CA0 to CA11: Column address
 PA0 to PA5: Page address in block
 PA6 to PA16: Block address

Operation Mode: Logic and Command Tables

The operation modes such as Program, Erase, Read and Reset are controlled by command operations shown in Table 3. Address input, command input and data input/output are controlled by the CLE, ALE, $\overline{\text{CE}}$, $\overline{\text{WE}}$, $\overline{\text{RE}}$ and $\overline{\text{WP}}$ signals, as shown in Table 2.

Table 2. Logic Table

| | CLE | ALE | $\overline{\text{CE}}$ | $\overline{\text{WE}}$ | $\overline{\text{RE}}$ | $\overline{\text{WP}}^{*1}$ |
|------------------------|-----|-----|------------------------|---|---|-----------------------------|
| Command Input | H | L | L |  | H | * |
| Data Input | L | L | L |  | H | H |
| Address Input | L | H | L |  | H | * |
| Serial Data Output | L | L | L | H |  | * |
| During Program (Busy) | * | * | * | * | * | H |
| During Erase (Busy) | * | * | * | * | * | H |
| During Read (Busy) | * | * | H | * | * | * |
| | * | * | L | H (*2) | H (*2) | * |
| Program, Erase Inhibit | * | * | * | * | * | L |
| Standby | * | * | H | * | * | 0 V/V _{CC} |

H: V_{IH}, L: V_{IL}, *: V_{IH} or V_{IL}

*1: When the $\overline{\text{WP}}$ signal goes Low, Program or Erase is inhibited (Refer to Application Note (10) toward the end of this document).

*2: If $\overline{\text{CE}}$ is Low during Read Busy, $\overline{\text{WE}}$ and $\overline{\text{RE}}$ must be held High to avoid unintended command/address input to the device or read to the device. Reset or Status Read command can be input during Read Busy.

Table 3. Command table (HEX)

| | First Set | Second Set | Acceptable while Busy |
|---|-----------|------------|-----------------------|
| Serial Data Input | 80 | — | |
| Read | 00 | 30 | |
| Column Address Change in Serial Data Output | 05 | E0 | |
| Auto Page Program | 80 | 10 | |
| Column Address Change in Serial Data Input | 85 | — | |
| Multi Page Program | 80 | 11 | |
| | 81 | 10 | |
| Read for Copy-Back | 00 | 35 | |
| Copy-Back Program | 85 | 10 | |
| Auto Block Erase | 60 | D0 | |
| ID Read | 90 | — | |
| Status Read | 70 | — | ○ |
| Status Read for Multi-Page Program or Multi Block Erase | 71 | — | ○ |
| ECC Status Read | 7A | — | |
| Reset | FF | — | ○ |

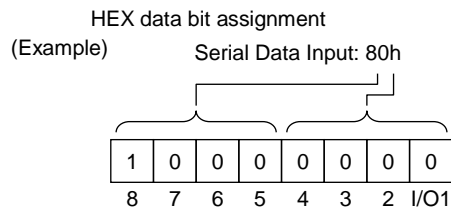


Table 4. Read mode operation states

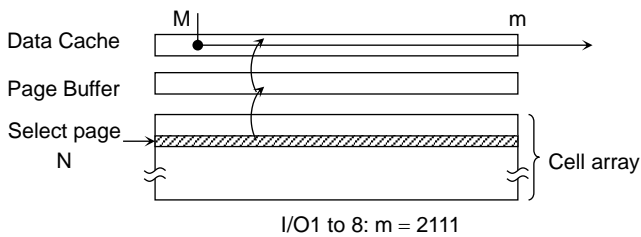
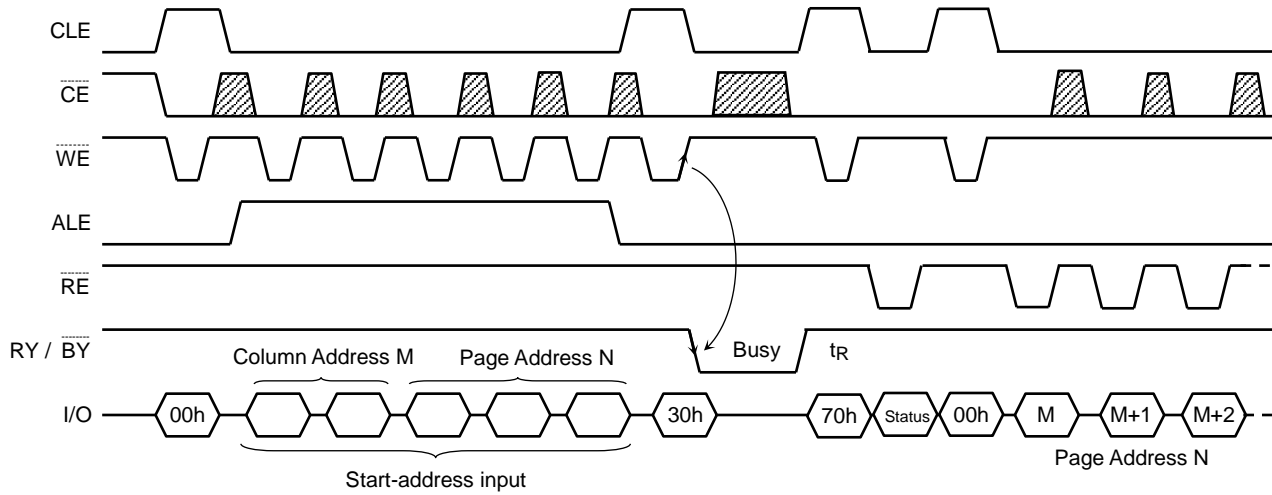
| | CLE | ALE | $\overline{\text{CE}}$ | $\overline{\text{WE}}$ | $\overline{\text{RE}}$ | I/O1 to I/O8 | Power |
|-----------------|-----|-----|------------------------|------------------------|------------------------|----------------|--------|
| Output select | L | L | L | H | L | Data output | Active |
| Output Deselect | L | L | L | H | H | High impedance | Active |

H: V_{IH} , L: V_{IL}

DEVICE OPERATION

Read Mode

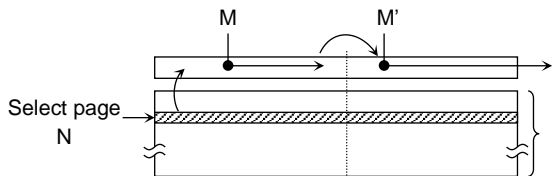
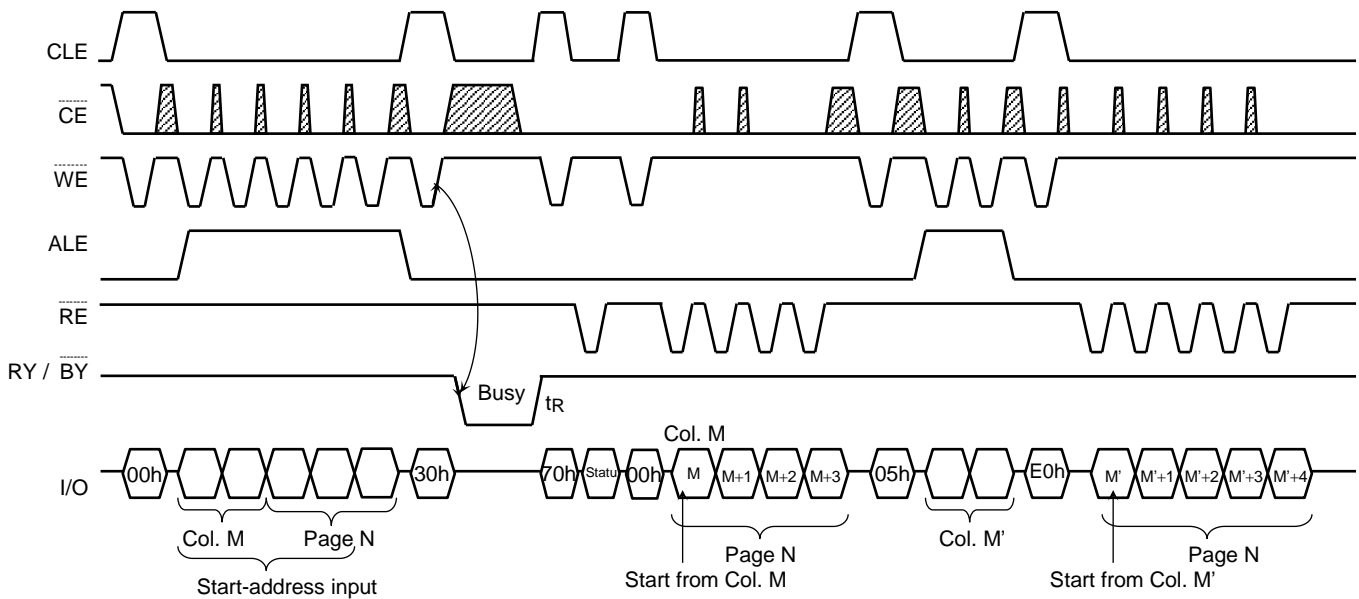
Read mode is set when the "00h" and "30h" commands are issued to the Command register. Between the two commands, a start address for the Read mode needs to be issued. After the initial power-on sequence, "00h" command is latched into the internal command register. Then the Read operation after the power-on sequence is executed by the setting of only five address cycles and "30h" command. The sequence of the block diagram are shown below (Refer to the detailed timing chart).



A data transfer operation from the cell array to the Data Cache via Page Buffer starts on the rising edge of WE in the 30h command input cycle (after the address information has been latched). The device will be in the Busy state during this transfer period.

After the transfer period, the device returns to Ready state. Serial data can be output synchronously with the RE clock from the start address designated in the address input cycle.

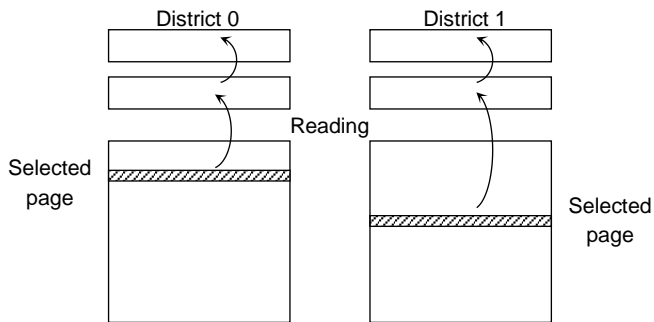
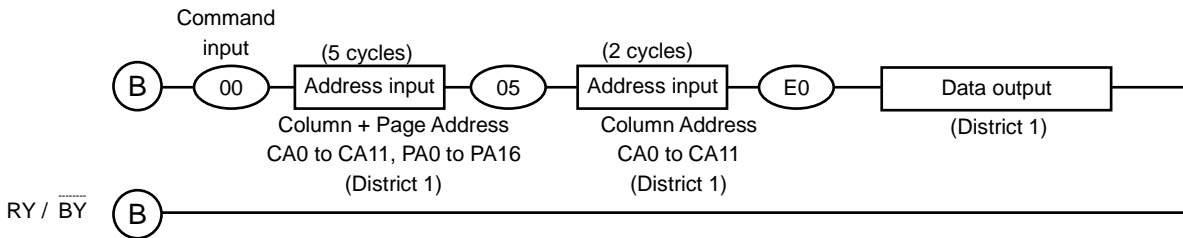
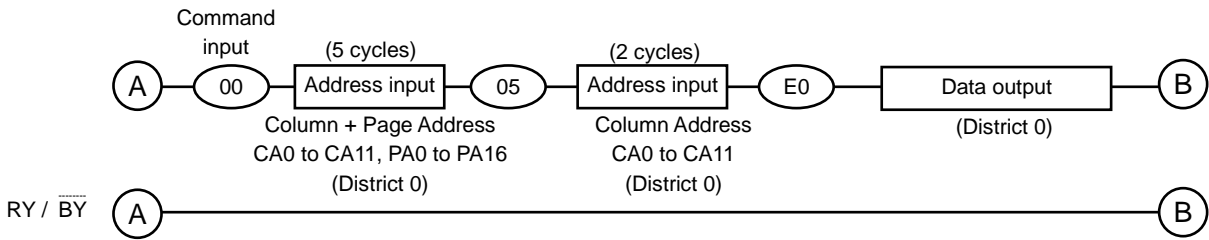
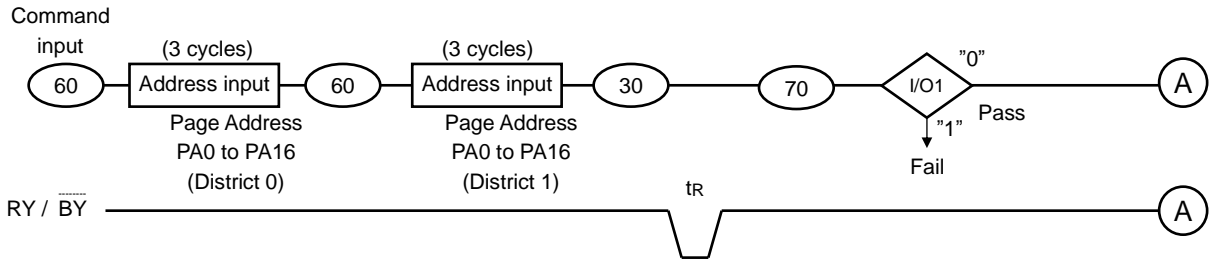
Random Column Address Change in Read Cycle



During the serial data output from the register, the column address can be changed by inputting a new column address using the 05h and E0h commands. The data is read out in serially starting at the new column address. Random Column Address Change operation can be done multiple times within the same page.

Multi Page Read Operation

The device has a Multi Page Read operation.
 The sequence of command and address input is shown below.
 Same page address (PA0 to PA5) within each District has to be selected.



The data transfer operation from the cell array to the Data Cache via Page Buffer starts on the rising edge of \overline{WE} in the 30h command input cycle (after the 2 Districts' address information has been latched). The device will be in the Busy state during this transfer period.
 After the transfer period, the device returns to Ready state. Serial data can be output synchronously with the \overline{RE} clock from the start address designated in the address input cycle.

ECC Status command <7Ah> can be used only for Single Page Read. It is not supported for Multi Page Read operation.

Internal addressing in relation to the Districts

To use the Multi Page Read operation, the internal addressing should be considered in relation to the District.

- The device consists of 2 Districts.
- Each District consists of 1024 erase blocks.
- The allocation rule is as follows:
 - District 0: Block 0, Block 2, Block 4, Block 6,..., Block 2046
 - District 1: Block 1, Block 3, Block 5, Block 7,..., Block 2047

Address input restriction for the Multi Page Read operation

There are the following restrictions in using Multi Page Read:

(Restriction)

Maximum one block should be selected from each District.

Same page address (PA0 to PA5) within two Districts has to be selected.

For example:

(60) [District 0, Page Address 0x00000] (60) [District 1, Page Address 0x00040] (30)
(60) [District 0, Page Address 0x00001] (60) [District 1, Page Address 0x00041] (30)

(Acceptance)

There is no order limitation of the District for the address input.

For example, the following operation is accepted:

(60) [District 0] (60) [District 1] (30)
(60) [District 1] (60) [District 0] (30)

It requires no mutual address relation between the selected blocks from each District.

Operating restriction during the Multi Page Read operation

Make sure \overline{WP} is held to High when the Multi Page Read operation is performed.

ECC & Sector definition for ECC

Internal ECC logic generates Error Correction Code during busy time in program operation. The ECC logic manages 9bit error detection and 8bit error correction in each 528Bytes of main data and spare data. A section of main field (512Bytes) and spare field (16Bytes) are paired for ECC. During Read operation, the device executes ECC of itself. Once Read operation is executed, Status Read Command (70h) can be issued to check the read status. The read status remains until other valid commands are executed.

To use ECC function, below limitation must be considered.

- A sector is the minimum unit for program operation and the number of program per page must not exceed 4.

2KByte Page Assignment

| | | | | | | | |
|----------|----------|----------|----------|-----------|-----------|-----------|-----------|
| 1st Main | 2nd Main | 3rd Main | 4th Main | 1st Spare | 2nd Spare | 3rd Spare | 4th Spare |
| 512B | 512B | 512B | 512B | 16B | 16B | 16B | 16B |

Note) The Internal ECC manages all data of Main area and Spare area.

Definition of 528Byte Sector

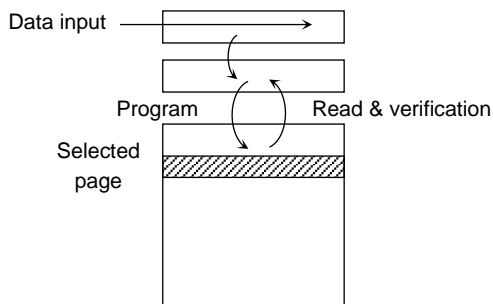
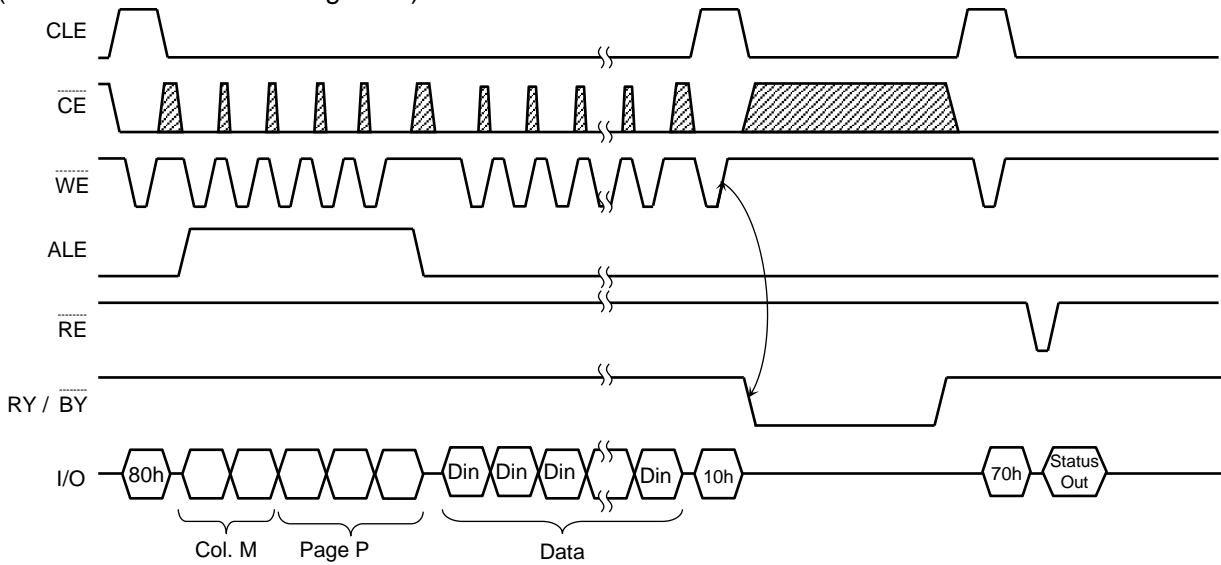
| Sector | Column Address (Byte) | |
|------------|-----------------------|----------------|
| | Main Field | Spare Field |
| 1st Sector | 0 to 511 | 2,048 to 2,063 |
| 2nd Sector | 512 to 1,023 | 2,064 to 2,079 |
| 3rd Sector | 1,024 to 1,535 | 2,080 to 2,095 |
| 4th Sector | 1,536 to 2,047 | 2,096 to 2,111 |

Note) The ECC parity code generated by internal ECC is stored in column addresses 2112-2175 and the user cannot access to these specific addresses.

While using the Partial Page Program, the user must program the data to main field and spare field simultaneously by the definition of sector.

Auto Page Program Operation

The device carries out an Auto Page Program operation when it receives a "10h" Program command after the address and data have been input. The sequence of command, address and data input is shown below (Refer to the detailed timing chart).

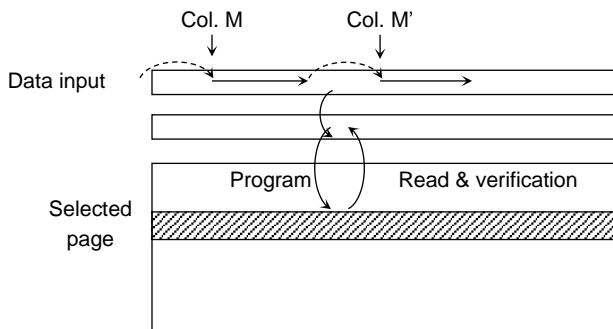
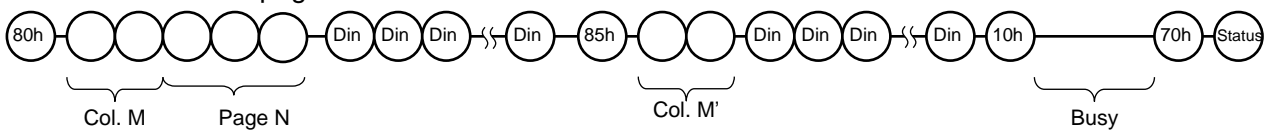


The data is transferred (programmed) from the Data Cache via the Page Buffer to the selected page on the rising edge of WE following input of the "10h" command. After programming, the programmed data is transferred back to the Page Buffer to be automatically verified by the device. If the programming does not succeed, the Program/Verify operation is repeated by the device until success is achieved or until the maximum loop number set in the device is reached.

Random Column Address Change in Auto Page Program Operation

The column address can be changed by the 85h command during the data input sequence of the Auto Page Program operation.

Two address input cycles after the 85h command are recognized as a new column address for the data input. After the new data is input to the new column address, the 10h command initiates the actual data program into the selected page automatically. The Random Column Address Change operation can be repeated multiple times within the same page.

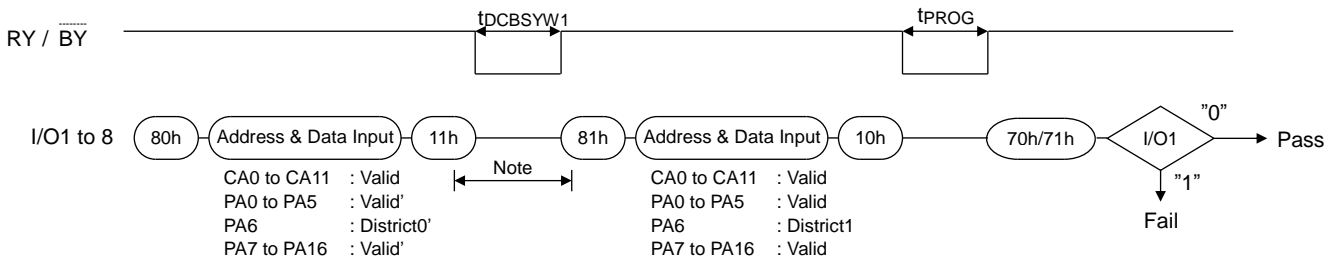


Multi Page Program

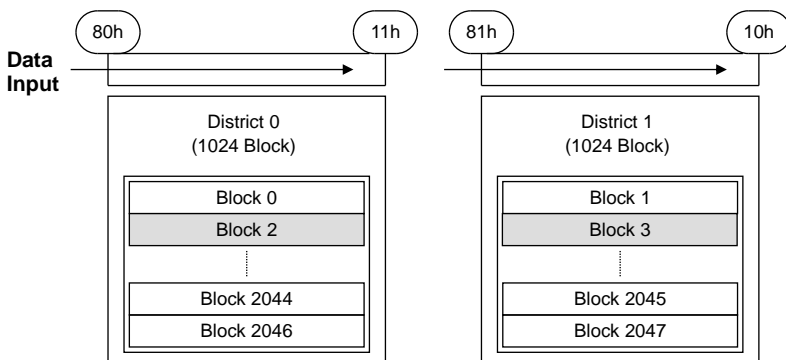
The device has a Multi Page Program, which enables even higher speed program operation compared to Auto Page Program. The sequence of command, address and data input is shown below (Refer to the detailed timing chart).

Although two Districts are programmed simultaneously, Pass/Fail is not available for each page by “70h” command when the program operation completes. The status bit of I/O 1 is set to “1” when any of the pages fail. Limitation in addressing with Multi Page Program is shown below.

Multi Page Program



NOTE: Any command between 11h and 81h is prohibited except 70h and FFh.



The 71h command Status description is as below.

| | STATUS | OUTPUT | |
|------|------------------------------------|------------|----------------|
| I/O1 | Chip Status : Pass/Fail | Pass: 0 | Fail: 1 |
| I/O2 | District 0 Chip Status : Pass/Fail | Pass: 0 | Fail: 1 |
| I/O3 | District 1 Chip Status : Pass/Fail | Pass: 0 | Fail: 1 |
| I/O4 | Not Used | Invalid | |
| I/O5 | Not Used | Invalid | |
| I/O6 | Ready/Busy | Ready: 1 | Busy: 0 |
| I/O7 | Ready/Busy | Ready: 1 | Busy: 0 |
| I/O8 | Write Protect | Protect: 0 | Not Protect: 1 |

I/O1 describes the Pass/Fail condition of District 0 and 1 (OR data of I/O2 and I/O3). If one of the Districts fails during Multi Page Program operation, it shows “Fail”.
I/O2 to 3 show the Pass/Fail condition of each District.

Internal addressing in relation to the Districts

To use the Multi Page Program operation, the internal addressing should be considered in relation to the District.

- The device consists of 2 Districts.
- Each District consists of 1024 erase blocks.
- The allocation rule is as follows:
 - District 0: Block 0, Block 2, Block 4, Block 6,..., Block 2046
 - District 1: Block 1, Block 3, Block 5, Block 7,..., Block 2047

Address input restriction for the Multi Page Program operation

There are the following restrictions in using Multi Page Program:

(Restriction)

Maximum one block should be selected from each District.

Same page address (PA0 to PA5) within two Districts has to be selected.

For example:

(80) [District 0, Page Address 0x00000] (11) (81) [District 1, Page Address 0x00040] (10)
(80) [District 0, Page Address 0x00001] (11) (81) [District 1, Page Address 0x00041] (10)

(Acceptance)

There is no order limitation of the District for the address input.

For example, the following operation is accepted:

(80) [District 0] (11) (81) [District 1] (10)
(80) [District 1] (11) (81) [District 0] (10)

It requires no mutual address relation between the selected blocks from each District.

Operating restriction during the Multi Page Program operation

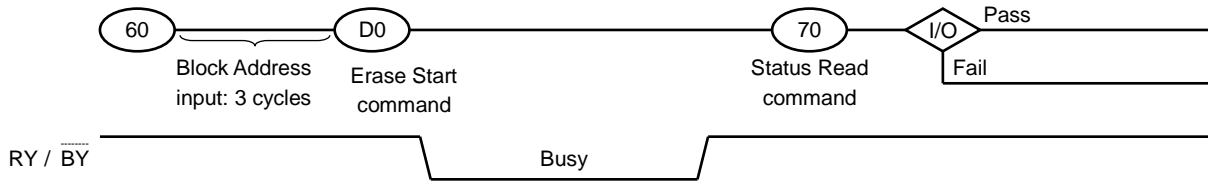
(Restriction)

The operation must be terminated with "10h" command.

Once the operation has started, no commands other than the commands shown in the timing diagram are allowed to be input except for Status Read command and Reset command.

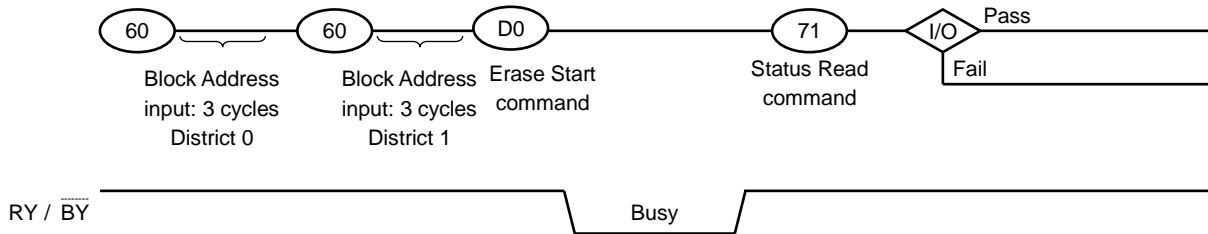
Auto Block Erase

The Auto Block Erase operation starts on the rising edge of \overline{WE} after the Erase Start command “D0h” which follows the Erase Setup command “60h”. This two-cycle process for Erase operations acts as an extra layer of protection from accidental erasure of data due to external noise. The device automatically executes the Erase and Verify operations.



Multi Block Erase

The Multi Block Erase operation starts by selecting two block addresses before D0h command as in the below diagram. The device automatically executes the Erase and Verify operations and the result can be monitored by checking the status with 71h Status Read command. For details on 71h Status Read command, refer to section “Multi Page Program”.



Internal addressing in relation to the Districts

To use the Multi Block Erase operation, the internal addressing should be considered in relation to the District.

- The device consists of 2 Districts.
- Each District consists of 1024 erase blocks.
- The allocation rule is as follows:
 - District 0: Block 0, Block 2, Block 4, Block 6, ..., Block 2046
 - District 1: Block 1, Block 3, Block 5, Block 7, ..., Block 2047

Address input restriction for the Multi Block Erase

There are the following restrictions in using Multi Block Erase:

(Restriction)
 Maximum one block should be selected from each District.
 For example:
 (60) [District 0] (60) [District 1] (D0)

(Acceptance)
 There is no order limitation of the District for the address input.
 For example, the following operation is accepted:
 (60) [District 1] (60) [District 0] (D0)

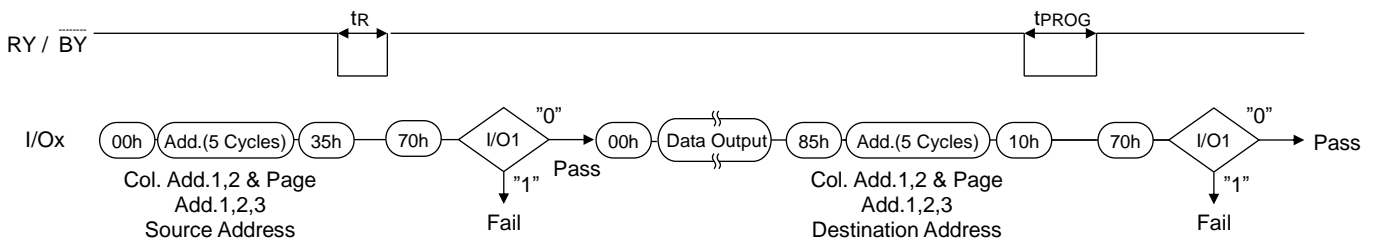
It requires no mutual address relation between the selected blocks from each District.

Make sure to terminate the operation with D0h command. If the operation needs to be terminated before D0h command input, input the FFh reset command to terminate the operation.

READ FOR COPY-BACK WITH DATA OUTPUT TIMING GUIDE

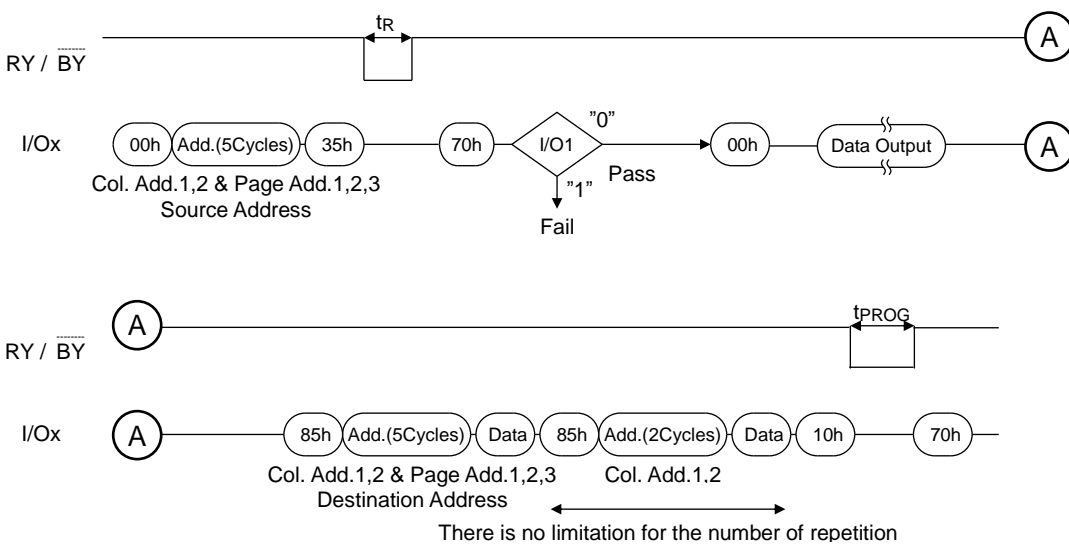
Copy-Back operation is a sequence execution of Read for Copy-Back and of Copy-Back Program with the destination page address. A Read operation with “35h” command and the address of source page moves the whole 2112 bytes data into the internal data buffer. Bit errors are checked by sequential reading the data or by reading the status in read after read busy time (t_R) to check if uncorrectable error occurs. In the case of there is no bit error or no uncorrectable error, the data don't need to be reloaded. Therefore Copy-Back program operation is initiated by issuing Page-Copy Data-Input command (85h) with the destination page address. Actual programming operation begins after Program Confirm command (10h) is issued. Once the program process starts, the Status Read command (70h) may be entered to read the status register. The system controller can detect the completion of a program cycle by monitoring the $\overline{RY} / \overline{BY}$ output, or the Status Bit (I/O1) of the Status Register. When the Copy-Back Program is completed, the Write Status Bit (I/O1) may be checked. The command register remains in Status Read mode until another valid command is written to the command register. During Copy-Back Program, the data modification is possible using Random Data Input command (85h) as shown below.

Page Copy-Back Program Operation



NOTE: 1. Copy-Back Program operation is allowed only within the same District.

Page Copy-Back Program Operation with Random Data Input



ID Read

The device contains ID codes which can be used to identify the device type, the manufacturer, and features of the device. The ID codes can be read out under the following timing conditions:

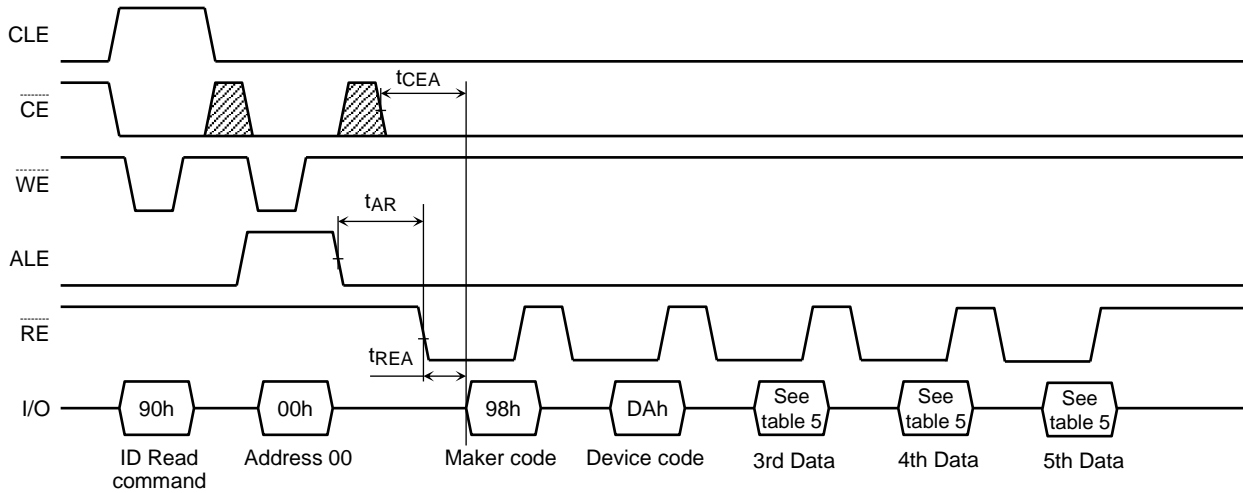


Table 5. Code table

| | Description | I/O8 | I/O7 | I/O6 | I/O5 | I/O4 | I/O3 | I/O2 | I/O1 | Hex Data |
|----------|------------------------|------|------|------|------|------|------|------|------|----------|
| 1st Data | Maker Code | 1 | 0 | 0 | 1 | 1 | 0 | 0 | 0 | 98h |
| 2nd Data | Device Code | 1 | 1 | 0 | 1 | 1 | 0 | 1 | 0 | DAh |
| 3rd Data | Chip Number, Cell Type | 1 | 0 | 0 | 1 | 0 | 0 | 0 | 0 | 90h |
| 4th Data | Page Size, Block Size | 0 | 0 | 0 | 1 | 0 | 1 | 0 | 1 | 15h |
| 5th Data | District Number | 1 | 1 | 1 | 1 | 0 | 1 | 1 | 0 | F6h |

3rd Data

| | Description | I/O8 | I/O7 | I/O6 | I/O5 | I/O4 | I/O3 | I/O2 | I/O1 |
|----------------------|---------------|------|------|------|------|------|------|------|------|
| Internal Chip Number | 1 | | | | | | | 0 | 0 |
| | 2 | | | | | | | 0 | 1 |
| | 4 | | | | | | | 1 | 0 |
| | 8 | | | | | | | 1 | 1 |
| Cell Type | 2 level cell | | | | | 0 | 0 | | |
| | 4 level cell | | | | | 0 | 1 | | |
| | 8 level cell | | | | | 1 | 0 | | |
| | 16 level cell | | | | | 1 | 1 | | |
| Reserved | | 1 | 0 | 0 | 1 | | | | |

4th Data

| | Description | I/O8 | I/O7 | I/O6 | I/O5 | I/O4 | I/O3 | I/O2 | I/O1 |
|--|-------------|------|------|------|------|------|------|------|------|
| Page Size (without redundant area) | 1 KB | | | | | | | 0 | 0 |
| | 2 KB | | | | | | | 0 | 1 |
| | 4 KB | | | | | | | 1 | 0 |
| | 8 KB | | | | | | | 1 | 1 |
| Block Size (without redundant area) | 64 KB | | | 0 | 0 | | | | |
| | 128 KB | | | 0 | 1 | | | | |
| | 256 KB | | | 1 | 0 | | | | |
| | 512 KB | | | 1 | 1 | | | | |
| I/O Width | x8 | | 0 | | | | | | |
| | x16 | | 1 | | | | | | |
| Reserved | | 0 | | | | 0 | 1 | | |

5th Data

| | Description | I/O8 | I/O7 | I/O6 | I/O5 | I/O4 | I/O3 | I/O2 | I/O1 |
|--------------------|-----------------|------|------|------|------|------|------|------|------|
| District Number | 1 District | | | | | 0 | 0 | | |
| | 2 Districts | | | | | 0 | 1 | | |
| | 4 Districts | | | | | 1 | 0 | | |
| | 8 Districts | | | | | 1 | 1 | | |
| ECC engine on chip | With ECC engine | 1 | | | | | | | |
| Reserved | | | 1 | 1 | 1 | | | 1 | 0 |

Status Read

The device automatically implements the execution and verification of the Program and Erase operations. The Status Read function is used to monitor the Ready/Busy status of the device, determine the result (Pass/Fail) of a Program or Erase operation, and determine whether the device is in Protect mode. The device status is output via the I/O port using RE after a “70h” command input. The Status Read command can also be used during a Read operation to monitor the Ready/Busy status and to find out the ECC result (Pass/Fail).

The resulting information is outlined in Table 6.

Table 6. Status output table

| | Definition | Page Program | Block Erase | Read |
|------|--|-------------------------|-------------------------|---|
| I/O1 | Chip Status Pass: 0 Fail: 1 | Pass/Fail | Pass/Fail | Pass/Fail(Uncorrectable) |
| I/O2 | Not Used | Invalid | Invalid | Invalid |
| I/O3 | Not Used | 0 | 0 | 0 |
| I/O4 | Chip Read Status Normal or uncorrectable: 0 Recommended to rewrite : 1 | 0 | 0 | Normal or uncorrectable / Recommended to rewrite |
| I/O5 | Not Used | 0 | 0 | 0 |
| I/O6 | Ready/Busy Ready: 1 Busy: 0 | Ready/Busy | Ready/Busy | Ready/Busy |
| I/O7 | Ready/Busy Ready: 1 Busy: 0 | Ready/Busy | Ready/Busy | Ready/Busy |
| I/O8 | Write Protect Not Protected :1 Protected: 0 | Not Protected/Protected | Not Protected/Protected | Not Protected/Protected |

The Pass/Fail status on I/O1 is only valid during a Program/Erase/Read operation when the device is in the Ready state.

ECC Status Read

The ECC Status Read function is used to monitor the Error Correction Status. The device can correct up to 8bit errors.

ECC can be performed on the NAND Flash main and spare areas. The ECC Status Read function can also show the number of errors in a sector as a result of an ECC check during a Read operation.

| | | | | | | | |
|--------------------|---|---|---|------------|---|---|------|
| 8 | 7 | 6 | 5 | 4 | 3 | 2 | I/O1 |
| Sector Information | | | | ECC Status | | | |

ECC Status

| I/O4 to I/O1 | ECC Status |
|--------------|-------------------------|
| 0000 | No Error |
| 0001 | 1bit error(Correctable) |
| 0010 | 2bit error(Correctable) |
| 0011 | 3bit error(Correctable) |
| 0100 | 4bit error(Correctable) |
| 0101 | 5bit error(Correctable) |
| 0110 | 6bit error(Correctable) |
| 0111 | 7bit error(Correctable) |
| 1000 | 8bit error(Correctable) |
| 1111 | Uncorrectable Error |

Sector Information

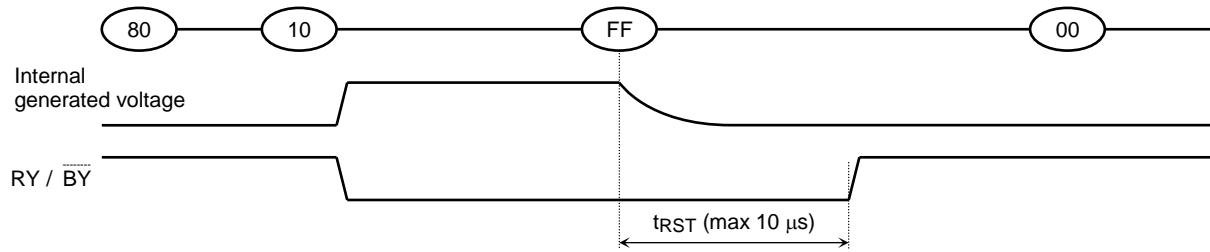
| I/O8 to I/O5 | Sector Information |
|--------------|----------------------------------|
| 0000 | 1st Sector (Main and Spare area) |
| 0001 | 2nd Sector (Main and Spare area) |
| 0010 | 3rd Sector (Main and Spare area) |
| 0011 | 4th Sector (Main and Spare area) |
| Other | Reserved |

Reset

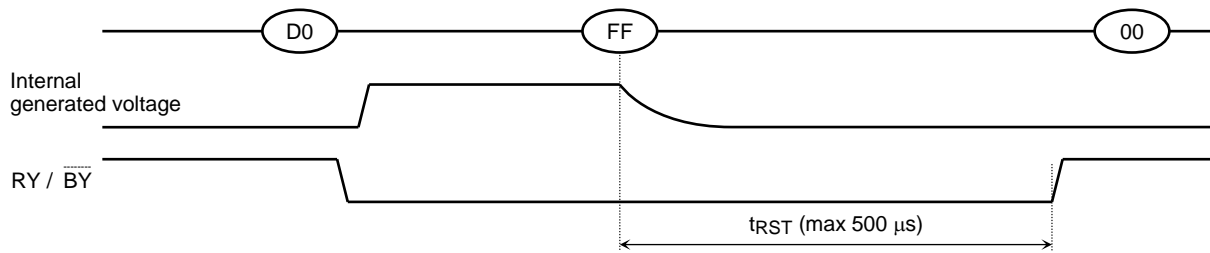
The Reset mode stops all operations. For example, in case of a Program or Erase operation, the internally generated voltage is discharged to 0 volts and the device enters the Wait state.

The response to a “FFh” Reset command input during the various device operations is as follows:

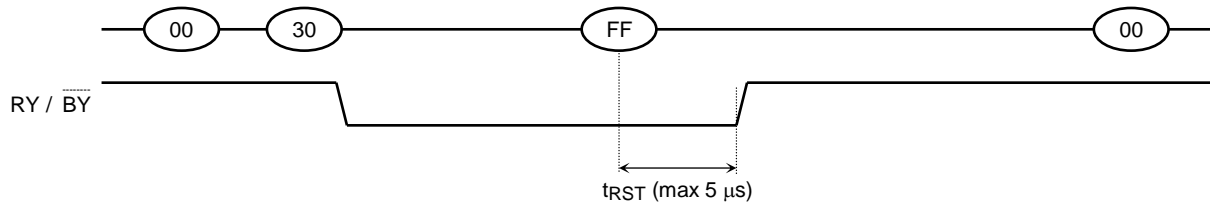
When a Reset (FFh) command is input during Program operation



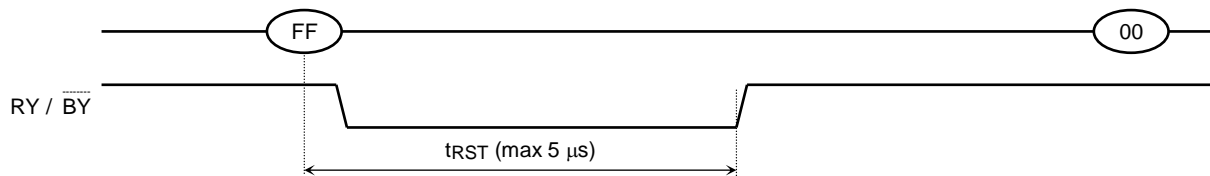
When a Reset (FFh) command is input during Erase operation



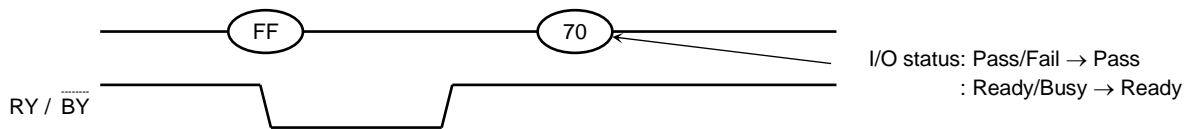
When a Reset (FFh) command is input during Read operation



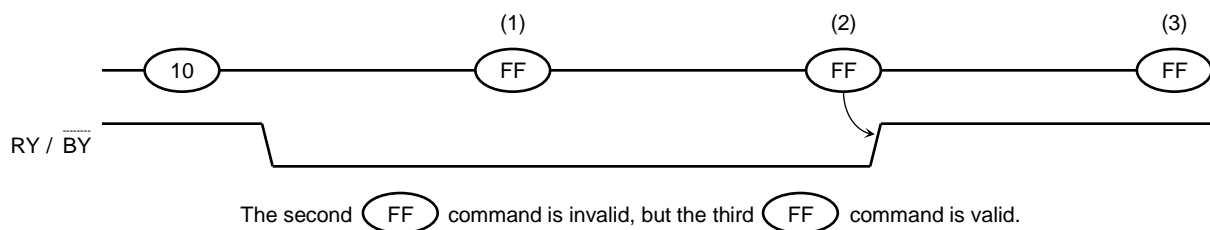
When a Reset (FFh) command is input during Ready



When a Status Read command (70h) is input after a Reset



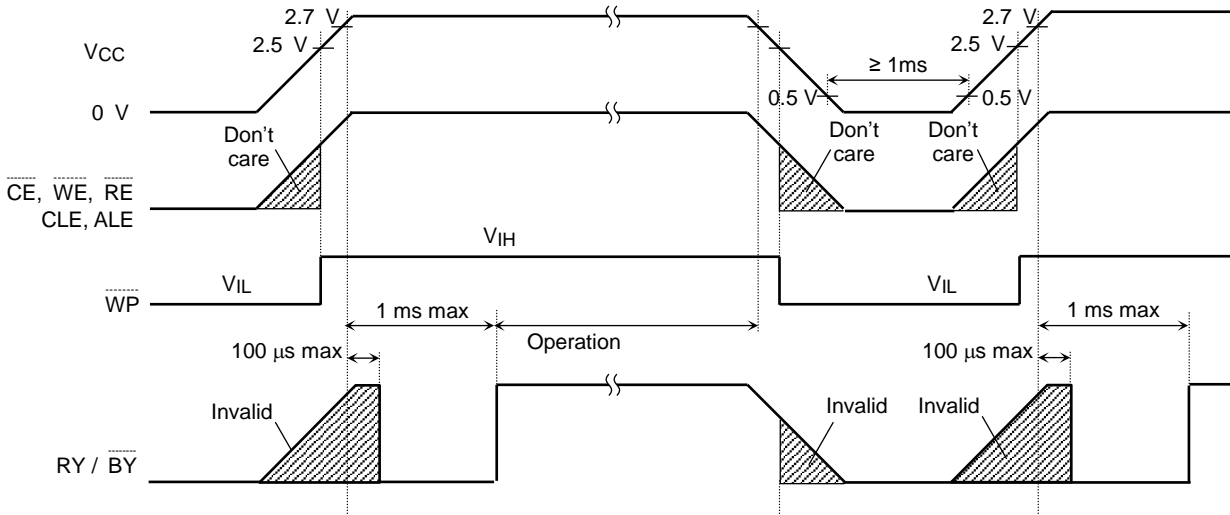
When two or more Reset commands are input in succession



APPLICATION NOTES AND COMMENTS

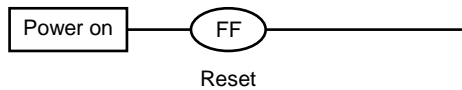
(1) Power-on/off sequence

The timing sequence shown in the figure below is necessary for the power-on/off sequence. The device's internal initialization starts after the power supply reaches an appropriate level during the power-on sequence. During the initialization the device Ready/Busy signal indicates the Busy state as shown in the figure below. In this time period, the acceptable commands are FFh or 70h. The \overline{WP} signal is useful for protecting against data corruption at power-on/off.



(2) Power-on Reset

The following sequence is necessary because some input signals may not be stable at power-on.



(3) Prohibition of unspecified commands

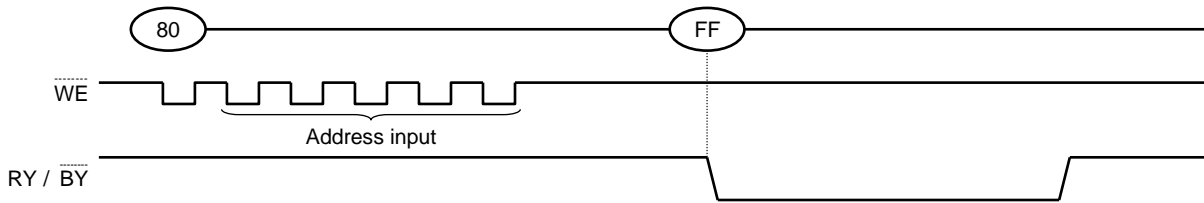
The operation commands are listed in Table 3. Input of a command other than those specified in Table 3 is prohibited. Stored data may be corrupted if an unknown command is entered during the command cycle.

(4) Restriction of commands while in the Busy state

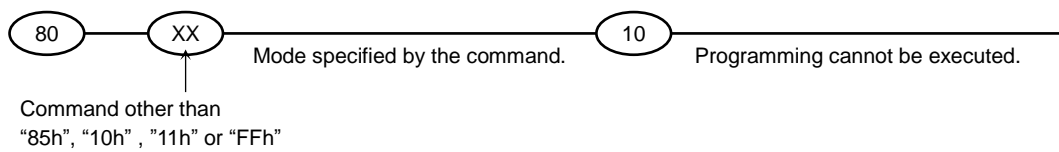
During the Busy state, do not input any command except 70h, 71h and FFh.

(5) Acceptable commands after Serial Data Input command “80h”

Once the Serial Data Input command “80h” has been input, do not input any command other than the Column Address Change in Serial Data Input command “85h”, Auto Page Program command “10h”, Multi Page Program command “11h” or the Reset command “FFh”.



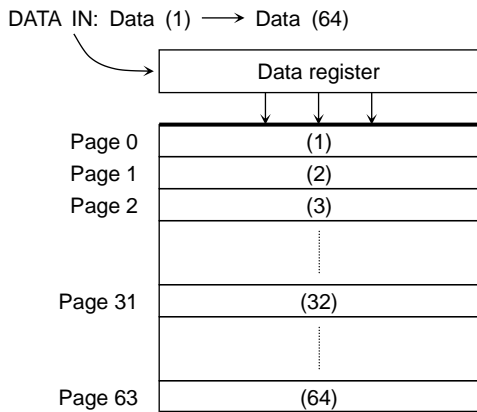
If a command other than “85h”, “10h”, “11h” or “FFh” is input, the Program operation is not performed and the device operation is set to the mode that the input command specifies.



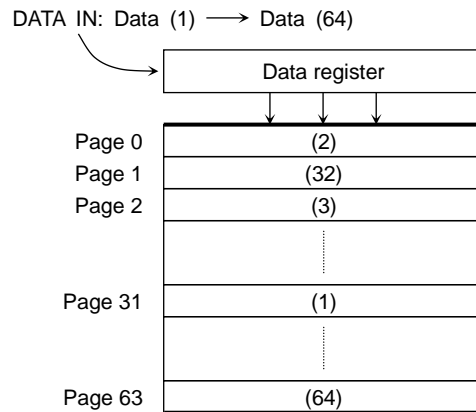
(6) Addressing for program operation

Within a block, the pages must be programmed consecutively from the LSB (least significant bit) page of the block to the MSB (most significant bit) page of the block. Random page address programming is prohibited.

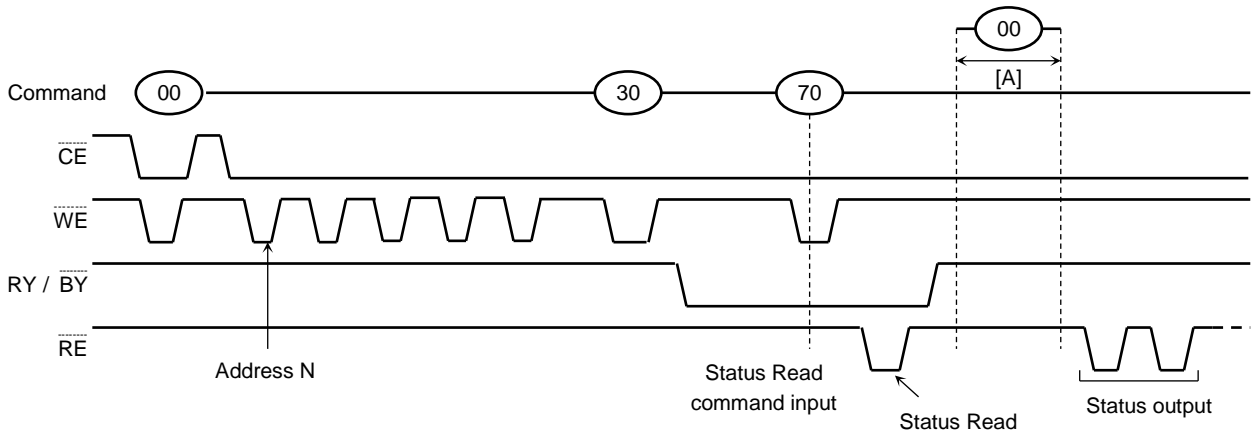
From the LSB page to MSB page



e.g.) Random page program (Prohibition)

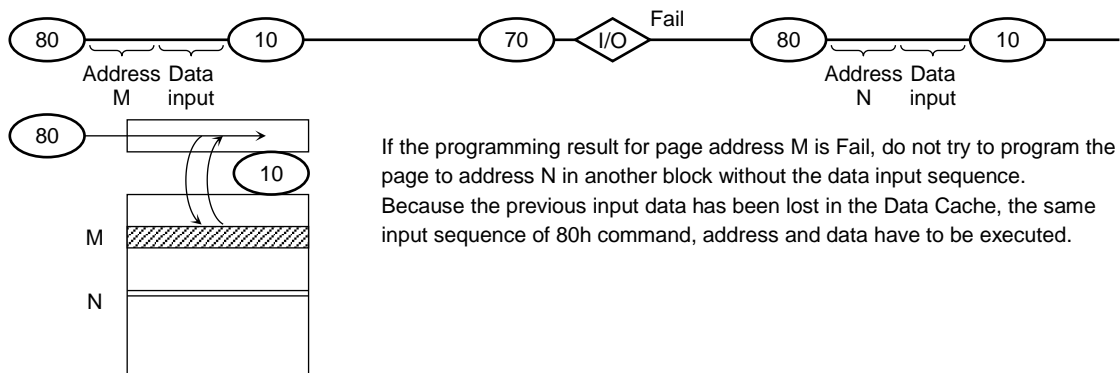


(7) Status Read during a Read operation



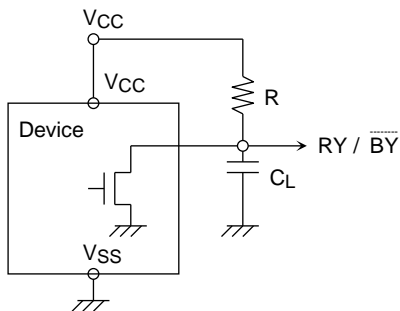
The device status can be read out by inputting the Status Read command “70h” in Read mode. Once the device has been set to Status Read mode by a “70h” command, the device will not return to Read mode unless the Read command “00h” is input during [A]. If the Read command “00h” is input during [A], Status Read mode is reset, and the device returns to Read mode. In this case, data output starts automatically from address N and address input is unnecessary.

(8) Auto programming failure

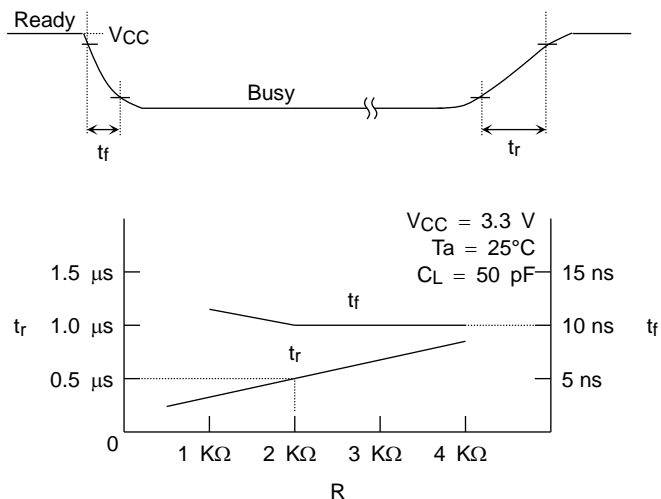


(9) RY / BY: termination for the Ready/Busy pin (RY / BY)

A pull-up resistor needs to be used for termination because the RY / BY buffer consists of an open drain circuit.



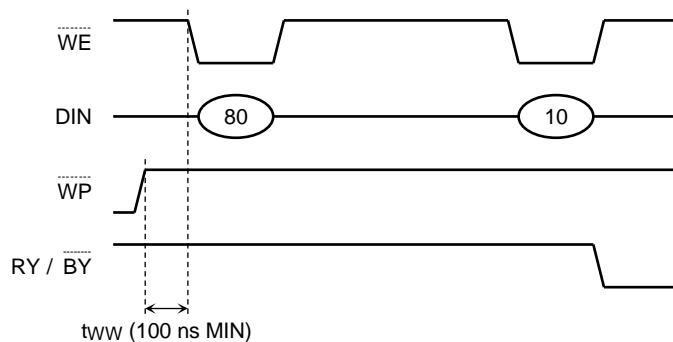
This data may vary from device to device. We recommend to use this data as a reference for selecting a resistor value.



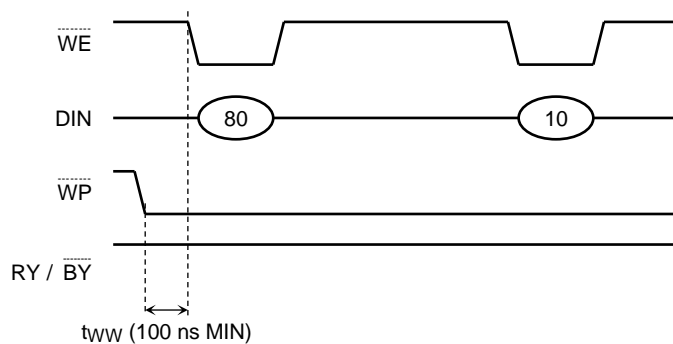
(10) Note regarding the \overline{WP} signal

The Erase and Program operations are automatically reset when \overline{WP} goes Low. The operations are enabled and disabled as follows:

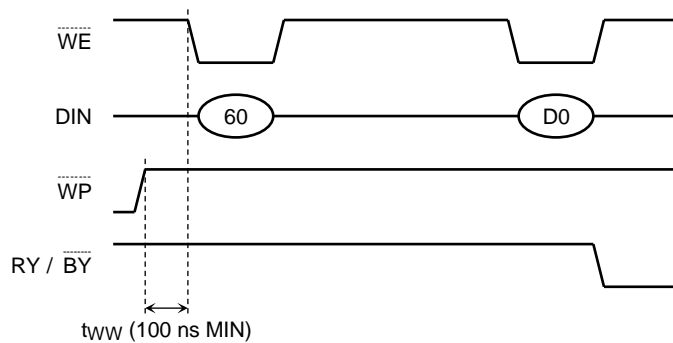
Enable Programming



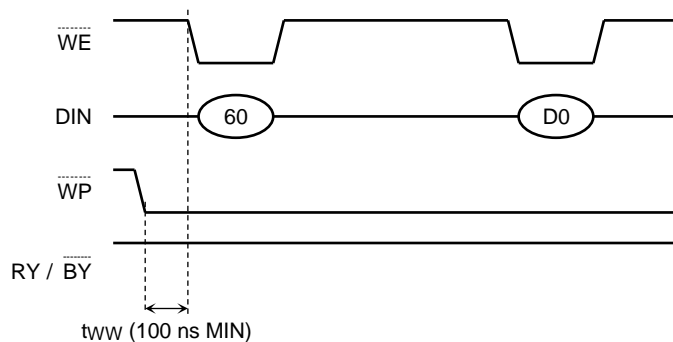
Disable Programming



Enable Erasing



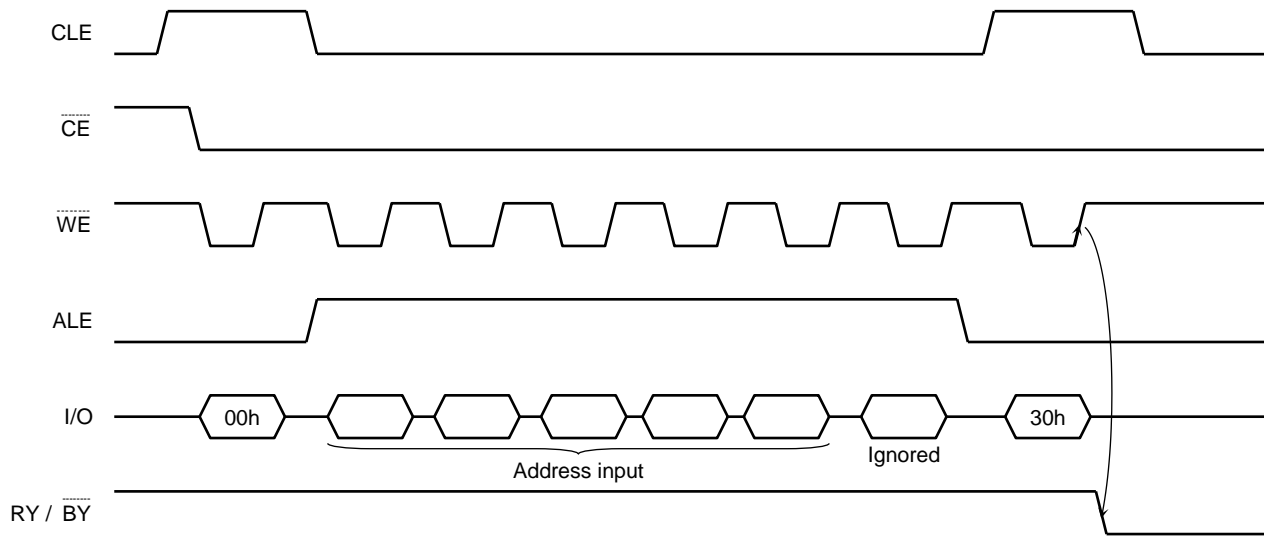
Disable Erasing



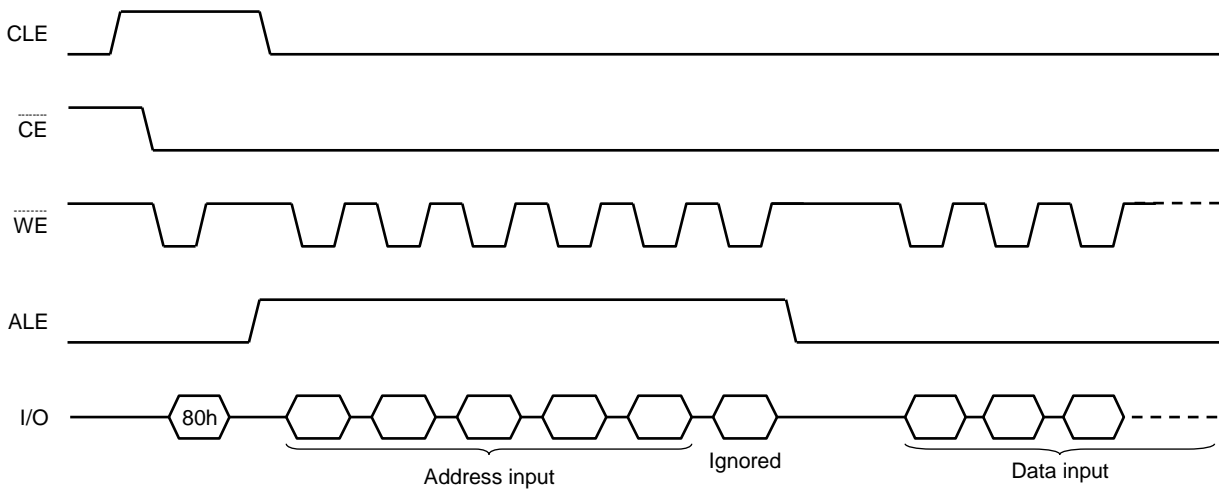
(11) When six address cycles are input

Although the device may read in a sixth address, it is ignored inside the chip.

Read operation



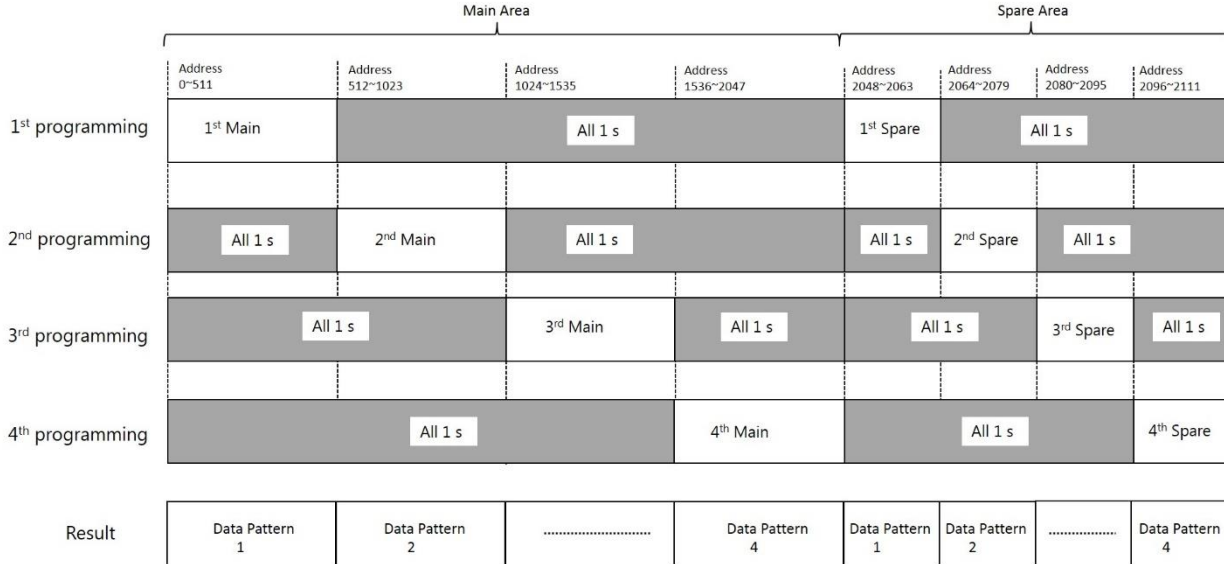
Program operation



(12) Several programming cycles on the same page (Partial Page Program)

ECC Parity Code is generated during program operation on Main area (512 byte) + Spare area (16byte). While using the Partial Page Program, the user must program the data to main field and spare field simultaneously by the definition of sector in section “ECC & Sector definition for ECC”.

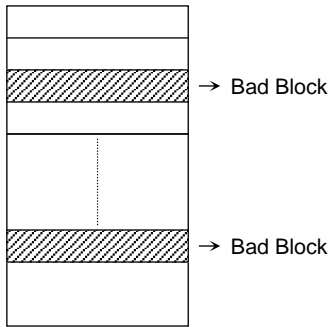
For example, each segment can be programmed individually as follows:



Number of partial program cycles in the same page must not exceed 4.

(13) Invalid blocks (bad blocks)

The device occasionally contains unusable blocks. Therefore, the following issues must be recognized:



Please do not perform an erase operation to bad blocks. It may be impossible to recover the bad block's information if the information is erased.

Check if the device has any bad blocks after installation into the system. Refer to the test flow for bad block detection. Bad blocks which are detected by the test flow must be managed as unusable blocks by the system.

A bad block does not affect the performance of good blocks because it is isolated from the bit lines by select gates.

The number of valid blocks over the device lifetime is as follows:

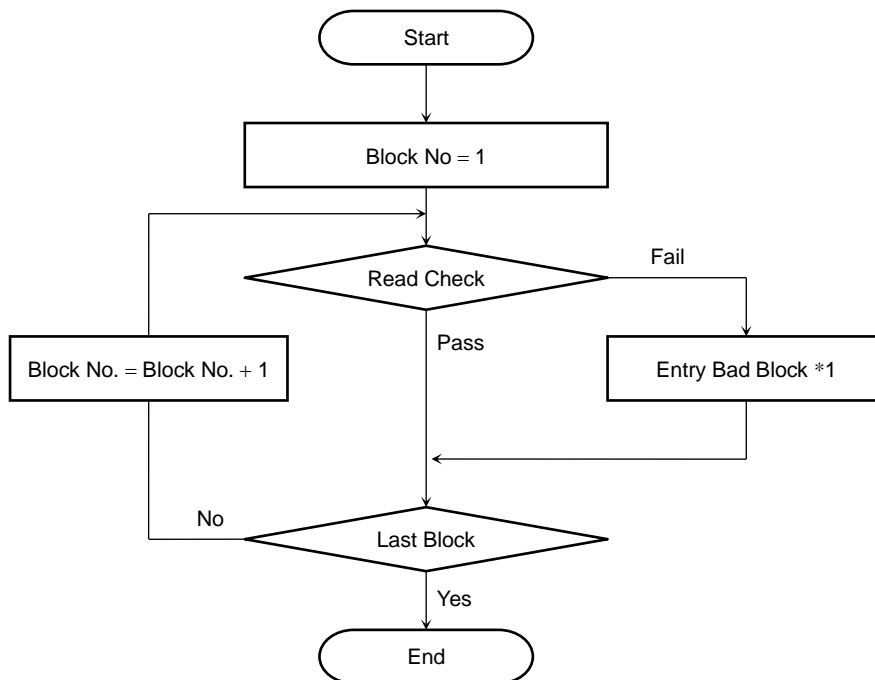
| | MIN | TYP. | MAX | UNIT |
|---------------------------|------|------|------|--------|
| Valid (Good) Block Number | 2008 | — | 2048 | Blocks |

Bad Block Test Flow

Regarding invalid blocks, bad block mark is in whole pages.

Please read one column of any page in each block. If the data of the column is 00 (Hex), define the block as a bad block.

For Bad Block Test Flow during Read Check, regardless of Status Read result (ECC Pass or Fail), use the read data value to make judgement for Bad Block.



*1: No erase operation is allowed to detected bad blocks.

(14) Failure phenomena for Program, Erase and Read operations

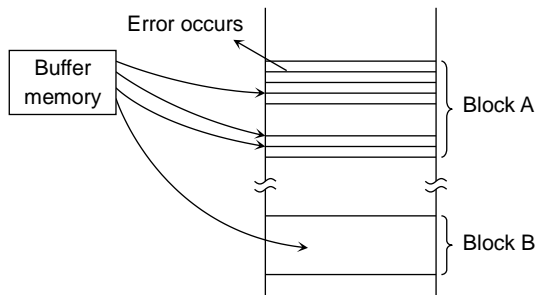
The device may fail during a Program, Erase or Read operation.

The following possible failure modes should be considered when implementing a highly reliable system.

| FAILURE MODE | | DETECTION AND COUNTERMEASURE SEQUENCE |
|--------------|------------------------------------|--|
| Block | Erase Failure | Status Read after Erase → Block Replacement |
| Page | Programming Failure | Status Read after Program → Block Replacement |
| Read | 9bit Failure (uncorrectable error) | Check the ECC correction status by Status Read or ECC Status Read and take appropriate measures such as rewrite in consideration of Wear Leveling before uncorrectable ECC error occurs. |

- ECC: Error Correction Code. 8 bit correction per 528Bytes is executed in a device.
- Block Replacement

Program



When an error happens in Block A, try to reprogram the data into another Block (Block B) by loading from an external buffer. Then, prevent further system accesses to Block A (by creating a bad block table or by using another appropriate scheme).

Erase

When an error occurs during an Erase operation, prevent future accesses to this bad block (by creating a table within the system or by using another appropriate scheme).

(15) Do not turn off the power before the Write/Erase operation is completed. Avoid using the device when the battery is low. Power shortage and/or power failure before the Write/Erase operation is complete will cause loss of data and/or damage to data.

(16) Please refer to KIOXIA soldering temperature profile for detail.

(17) Reliability Guidance

This reliability guidance is intended to notify some guidance related to using NAND Flash with 8 bit ECC for each 512 bytes. NAND Flash memory cells are gradually worn out and the reliability level of memory cells is degraded by repeating Write and Erase operation of '0' data in each block. For detailed reliability data, please refer to the reliability note for each product.

Although random bit errors may occur during use, it does not necessarily mean that a block is bad.

Generally, a block should be marked as bad when a program status failure or erase status failure is detected.

The reliability of NAND Flash memory cells during the actual usage on system level depends on the usage and environmental conditions. KIOXIA adopts the checker pattern data, 0x55 & 0xAA for alternative Write/Erase cycles, for the reliability test.

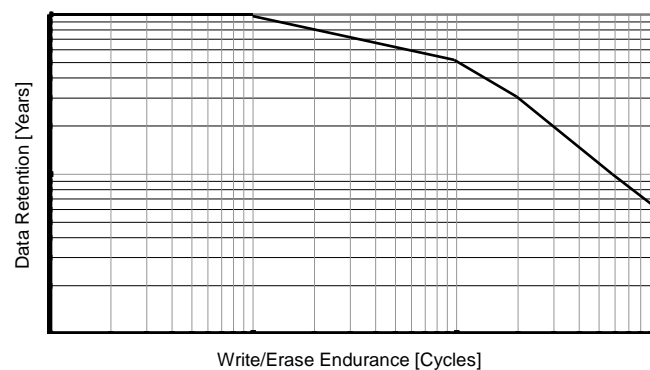
- **Write/Erase Endurance**

Write/Erase endurance failures may occur in a cell, page, or block, and are detected by doing a Status Read after either an Auto Page Program or Auto Block Erase operation. The cumulative bad block count will increase along with the number of Write/Erase cycles.

- **Data Retention**

The data in NAND Flash memory may change after a certain amount of storage time. This is due to charge loss or charge gain. After block erasure and reprogramming, the block may become usable again. Data Retention time is generally influenced by the number of Write/Erase cycles and temperature.

Here is a graph plotting the relationship between Write/Erase Endurance and Data Retention.



- **Read Disturb**

A Read operation may disturb the data in NAND Flash memory. The data may change due to charge gain. Usually, bit errors occur on other pages in the block, not the page being read. After a large number of read cycles (between block erases), a tiny charge may build up and can cause a cell to be soft programmed to another state. After block erasure and reprogramming, the block may become usable again. Read Disturb capability is generally influenced by the number of Write/Erase cycles.

(18) NAND Management

NAND Management such as Bad Block Management, ECC treatment and Wear Leveling, but not limited to these treatments, should be recognized and incorporated in the system design.

ECC treatment for read data is mandatory against random bit errors, and host should monitor ECC status to take appropriate measures such as rewrite in consideration of Wear Leveling before uncorrectable Error occurs. To realize robust system design, generally it is necessary to prevent the concentration of Write/Erase cycles at the specific blocks by adopting Wear Leveling which manages to distribute Write/Erase cycles evenly among NAND Flash memory. And also it is necessary to avoid dummy '0' data write, e.g. '0' data padding, which accelerate block endurance degradation.

Continuous Write and Erase cycling with high percentage of '0' bits in data pattern can lead to faster block endurance degradation.

Example: NAND cell array with '0' data padding

1 : "1" data cell 0 : "0" data cell

| | | | | | | | | | | | |
|---|---|---|---|---|---|---|---|---|---|---|---|
| 0 | 1 | 0 | 0 | 1 | 0 | 0 | 0 | 0 | 0 | 0 | 0 |
| 0 | 1 | 0 | 1 | 1 | 0 | 0 | 0 | 0 | 0 | 0 | 0 |
| 1 | 0 | 1 | 0 | 0 | 0 | 0 | 0 | 0 | 0 | 0 | 0 |
| 1 | 1 | 0 | 0 | 1 | 0 | 0 | 0 | 0 | 0 | 0 | 0 |
| 0 | 0 | 1 | 1 | 0 | 0 | 0 | 0 | 0 | 0 | 0 | 0 |
| 1 | 0 | 1 | 0 | 1 | 0 | 0 | 0 | 0 | 0 | 0 | 0 |
| 0 | 1 | 0 | 1 | 0 | 0 | 0 | 0 | 0 | 0 | 0 | 0 |
| 1 | 0 | 1 | 0 | 1 | 0 | 0 | 0 | 0 | 0 | 0 | 0 |

User data area
Remaining area

(a) Accelerate block endurance degradation by fixed dummy "0" data write

| | | | | | | | | | | | |
|---|---|---|---|---|---|---|---|---|---|---|---|
| 0 | 1 | 0 | 0 | 1 | 1 | 1 | 1 | 1 | 1 | 1 | 1 |
| 0 | 1 | 0 | 1 | 1 | 1 | 1 | 1 | 1 | 1 | 1 | 1 |
| 1 | 0 | 1 | 0 | 0 | 1 | 1 | 1 | 1 | 1 | 1 | 1 |
| 1 | 1 | 0 | 0 | 1 | 1 | 1 | 1 | 1 | 1 | 1 | 1 |
| 0 | 0 | 1 | 1 | 0 | 1 | 1 | 1 | 1 | 1 | 1 | 1 |
| 1 | 0 | 1 | 0 | 1 | 1 | 1 | 1 | 1 | 1 | 1 | 1 |
| 0 | 1 | 0 | 1 | 0 | 1 | 1 | 1 | 1 | 1 | 1 | 1 |
| 1 | 0 | 1 | 0 | 1 | 1 | 1 | 1 | 1 | 1 | 1 | 1 |

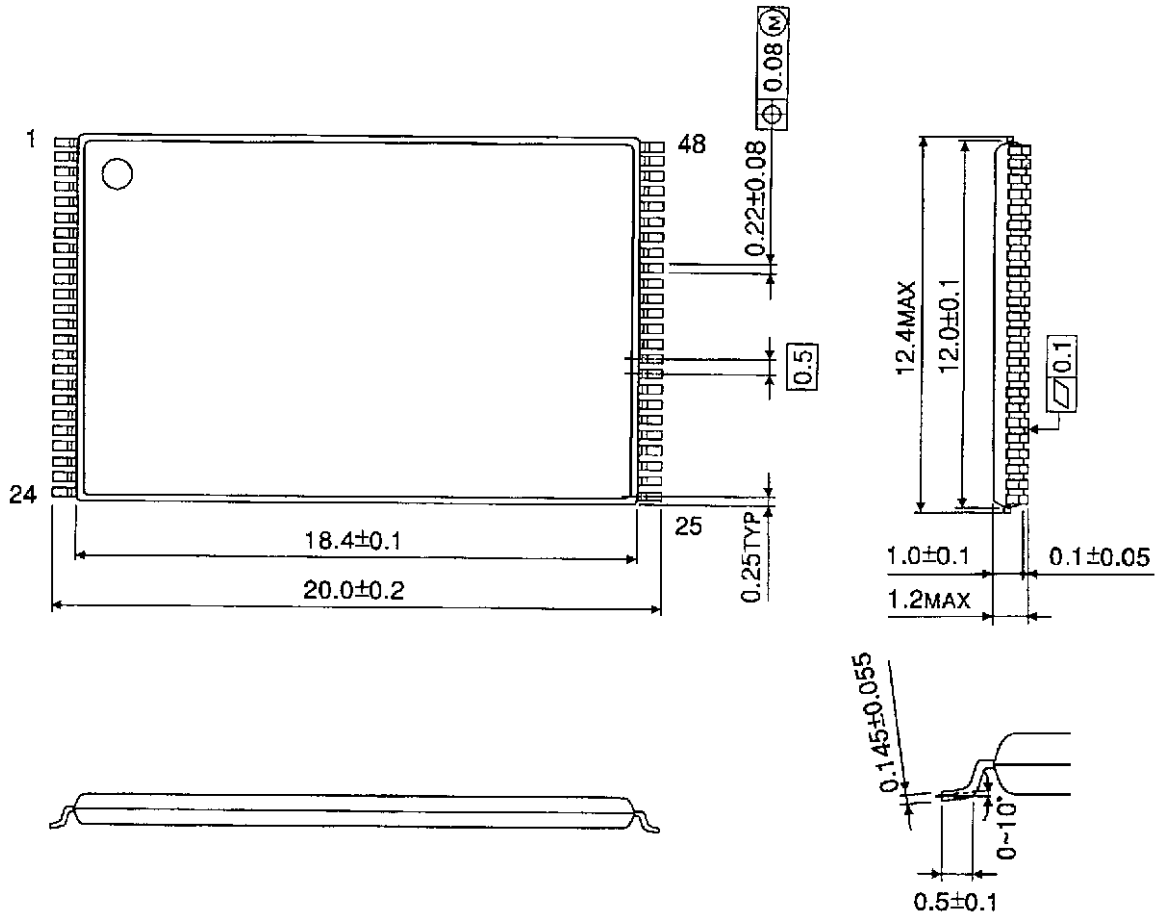
User data area
Remaining area

(b) "1" data for Remaining area (Recommended)

Package Dimensions

TSOP I 48-P-1220-0.50

Unit : mm



Weight: 0.53 g (typ.)

Revision History

| Date | Rev. | Description |
|------------|------|--|
| 2012-04-20 | 0.10 | Preliminary version |
| 2012-10-15 | 0.20 | Changed tBERASE. Corrected Typo. Changed "RESTRICTIONS ON PRODUCT USE". |
| 2013-01-31 | 1.00 | Deleted TENTATIVE/TBD notations. Corrected Typo. |
| 2018-06-01 | 1.10 | Corrected typo, and described some notes. Attached Reliability Guidance and NAND Management. Changed "RESTRICTIONS ON PRODUCT USE". |
| 2019-10-01 | 2.00 | Rebrand as "KIOXIA" Corrected typo and described some notes. Removed Soldering Temperature and added note in ABSOLUTE MAXIMUM RAITNGS, and added comments in APPLICATION NOTES AND COMMETNS. |

RESTRICTIONS ON PRODUCT USE

KIOXIA Corporation and its subsidiaries and affiliates are collectively referred to as "KIOXIA". Hardware, software and systems described in this document are collectively referred to as "Product".

- KIOXIA reserves the right to make changes to the information in this document and related Product without notice.
- This document and any information herein may not be reproduced without prior written permission from KIOXIA. Even with KIOXIA's written permission, reproduction is permissible only if reproduction is without alteration/omission.
- Though KIOXIA works continually to improve Product's quality and reliability, Product can malfunction or fail. Customers are responsible for complying with safety standards and for providing adequate designs and safeguards for their hardware, software and systems which minimize risk and avoid situations in which a malfunction or failure of Product could cause loss of human life, bodily injury or damage to property, including data loss or corruption. Before customers use the Product, create designs including the Product, or incorporate the Product into their own applications, customers must also refer to and comply with (a) the latest versions of all relevant KIOXIA information, including without limitation, this document, the specifications, the data sheets and application notes for Product and the precautions and conditions set forth in the "Reliability Information" in KIOXIA Corporation's website and (b) the instructions for the application with which the Product will be used with or for. Customers are solely responsible for all aspects of their own product design or applications, including but not limited to (a) determining the appropriateness of the use of this Product in such design or applications; (b) evaluating and determining the applicability of any information contained in this document, or in charts, diagrams, programs, algorithms, sample application circuits, or any other referenced documents; and (c) validating all operating parameters for such designs and applications. **KIOXIA ASSUMES NO LIABILITY FOR CUSTOMERS' PRODUCT DESIGN OR APPLICATIONS.**
- **PRODUCT IS NEITHER INTENDED NOR WARRANTED FOR USE IN EQUIPMENTS OR SYSTEMS THAT REQUIRE EXTRAORDINARILY HIGH LEVELS OF QUALITY AND/OR RELIABILITY, AND/OR A MALFUNCTION OR FAILURE OF WHICH MAY CAUSE LOSS OF HUMAN LIFE, BODILY INJURY, SERIOUS PROPERTY DAMAGE AND/OR SERIOUS PUBLIC IMPACT ("UNINTENDED USE").** Except for specific applications as expressly stated in this document, Unintended Use includes, without limitation, equipment used in nuclear facilities, equipment used in the aerospace industry, lifesaving and/or life supporting medical equipment, equipment used for automobiles, trains, ships and other transportation, traffic signaling equipment, equipment used to control combustions or explosions, safety devices, elevators and escalators, and devices related to power plant. **IF YOU USE PRODUCT FOR UNINTENDED USE, KIOXIA ASSUMES NO LIABILITY FOR PRODUCT.** For details, please contact your KIOXIA sales representative or contact us via our website.
- Do not disassemble, analyze, reverse-engineer, alter, modify, translate or copy Product, whether in whole or in part.
- Product shall not be used for or incorporated into any products or systems whose manufacture, use, or sale is prohibited under any applicable laws or regulations.
- The information contained herein is presented only as guidance for Product use. No responsibility is assumed by KIOXIA for any infringement of patents or any other intellectual property rights of third parties that may result from the use of Product. No license to any intellectual property right is granted by this document, whether express or implied, by estoppel or otherwise.
- **ABSENT A WRITTEN SIGNED AGREEMENT, EXCEPT AS PROVIDED IN THE RELEVANT TERMS AND CONDITIONS OF SALE FOR PRODUCT, AND TO THE MAXIMUM EXTENT ALLOWABLE BY LAW, KIOXIA (1) ASSUMES NO LIABILITY WHATSOEVER, INCLUDING WITHOUT LIMITATION, INDIRECT, CONSEQUENTIAL, SPECIAL, OR INCIDENTAL DAMAGES OR LOSS, INCLUDING WITHOUT LIMITATION, LOSS OF PROFITS, LOSS OF OPPORTUNITIES, BUSINESS INTERRUPTION AND LOSS OF DATA, AND (2) DISCLAIMS ANY AND ALL EXPRESS OR IMPLIED WARRANTIES AND CONDITIONS RELATED TO SALE, USE OF PRODUCT, OR INFORMATION, INCLUDING WARRANTIES OR CONDITIONS OF MERCHANTABILITY, FITNESS FOR A PARTICULAR PURPOSE, ACCURACY OF INFORMATION, OR NONINFRINGEMENT.**
- Do not use or otherwise make available Product or related software or technology for any military purposes, including without limitation, for the design, development, use, stockpiling or manufacturing of nuclear, chemical, or biological weapons or missile technology products (mass destruction weapons). Product and related software and technology may be controlled under the applicable export laws and regulations including, without limitation, the Japanese Foreign Exchange and Foreign Trade Law and the U.S. Export Administration Regulations. Export and re-export of Product or related software or technology are strictly prohibited except in compliance with all applicable export laws and regulations.
- Please contact your KIOXIA sales representative for details as to environmental matters such as the RoHS compatibility of Product. Please use Product in compliance with all applicable laws and regulations that regulate the inclusion or use of controlled substances, including without limitation, the EU RoHS Directive. **KIOXIA ASSUMES NO LIABILITY FOR DAMAGES OR LOSSES OCCURRING AS A RESULT OF NONCOMPLIANCE WITH APPLICABLE LAWS AND REGULATIONS.**