

TOSHIBA Bi-CD Integrated Circuit Silicon Monolithic

# TB6608FNG

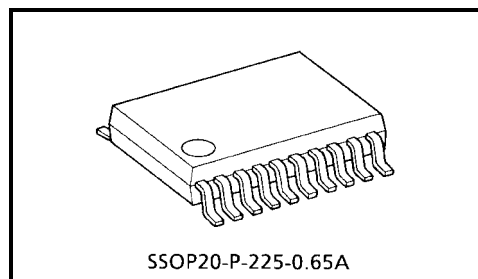
## Stepping Motor Driver IC

The TB6608FNG is a PWM constant-current type stepping motor driver IC designed for sinusoidal-input micro-step control of stepping motors.

The TB6608FNG can be used in applications that require 2-phase, 1-2-phase, W1-2-phase and 2W1-2 phase excitation modes. The TB6608FNG is capable of forward and reverse driving of a 2-phase bipolar stepping motor using only a clock signal.

### Features

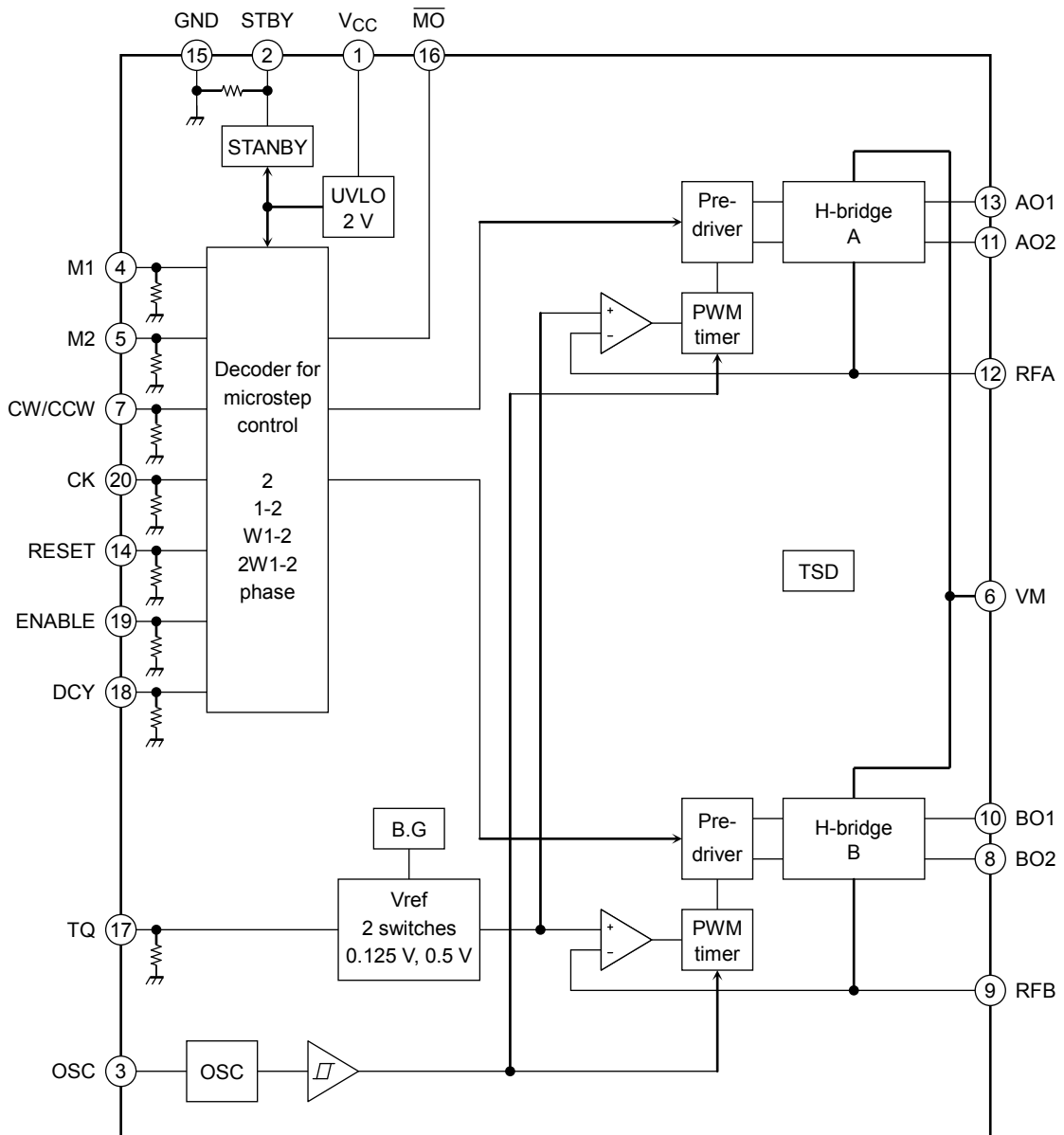
- Motor power supply voltage:  $V_M = 15\text{ V}$  (max)
- Control power supply voltage:  $V_{CC} = 2.7\text{ to }6\text{ V}$
- Output current:  $I_{out} \leq 0.8\text{ A}$  (max)
- Output ON-resistance:  $R_{on} = 1.5\ \Omega$  (upper and lower sum@ $V_M = 5\text{ V}$ )
- Decoder that enables microstep control with the clock signal
- Selectable phase excitation modes (2, 1-2, W1-2 and 2W1-2)
- Internal pull-down resistors on inputs:  $200\text{ k}\Omega$  (typ.)
- Output monitor pin ( $\overline{MO}$ )
- Thermal shutdown (TSD) and undervoltage lockout (UVLO) circuits
- Small surface-mount package (SSOP20: 0.65 mm lead pitch)



Weight: 0.09 g (typ.)

- This product has a MOS structure and is sensitive to electrostatic discharge. When handling this product, ensure that the environment is protected against electrostatic discharge by using an earth strap, a conductive mat and an ionizer. Ensure also that the ambient temperature and relative humidity are maintained at reasonable levels.
- Do not insert devices in the wrong orientation or incorrectly. Otherwise, it may cause the device breakdown, damage and/or deterioration.

**Block Diagram**



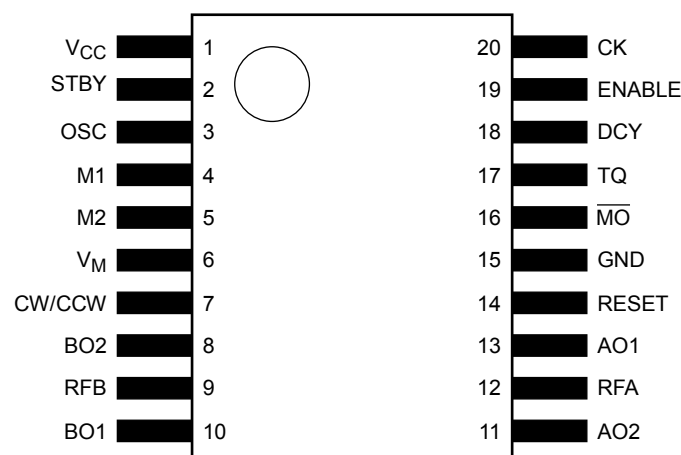
**Vref Voltage Setting**

Input	Vref
TQ	
L	0.125 V
H	0.5 V

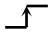
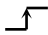
## Pin Function

Pin No.	Symbol	Functional Description	Remarks
1	V <sub>CC</sub>	Power supply pin for logic block	V <sub>CC (opr)</sub> = 2.7 to 5.5 V
2	STBY	Standby input	See the Input Signals and Operating Modes table.
3	OSC	Connection pin for an external capacitor used for internal oscillation	
4	M1	Excitation mode setting input 1	See the Excitation Mode Settings table.
5	M2	Excitation mode setting input 2	See the Excitation Mode Settings table.
6	V <sub>M</sub>	Power supply pin for output	V <sub>M (opr)</sub> = 2.5 to 13.5 V
7	CW/CCW	Rotation direction select input	See the Input Signals and Operating Modes table.
8	BO2	B-phase output 2	Connect BO2 to a motor coil pin.
9	RFB	Connection pin for a B-phase output current detection resistor	
10	BO1	B-phase output 1	Connect BO1 to a motor coil pin.
11	AO2	A-phase output 2	Connect AO2 to a motor coil pin.
12	RFA	Connection pin for an A-phase output current detection resistor	
13	AO1	A-phase output 1	Connect AO1 to a motor coil pin.
14	RESET	Reset input	See the Input Signal and Operating Modes table.
15	GND	Ground	
16	$\overline{MO}$	Monitor output	Initial state: $\overline{MO}$ = Low (open drain, pulled up by an external resistor)
17	TQ	Vref setting input	See the Vref Voltage Setting table.
18	DCY	Decay setting input	See the Fast-Decay Time Inserted During the Current Decay Period table.
19	ENABLE	Enable input	See the Input Signal and Operating Modes table.
20	CK	Clock input	

## Pin Assignment



## Input Signals and Operation Modes

Inputs					Operating Mode
CK	CW/CCW	RESET	ENABLE	STBY	
	L	H	H	H	CW
	H	H	H	H	CCW
X	X	L	H	H	Initial mode
X	X	X	L	H	Enable Wait mode (Outputs: high impedance)
X	X	X	X	L	Standby mode (Outputs: high impedance)

X: Don't Care

## Excitation Mode Settings

Inputs		Excitation Mode
M1	M2	
L	L	2-phase
H	L	1-2-phase
L	H	W1-2-phase
H	H	2W1-2-phase

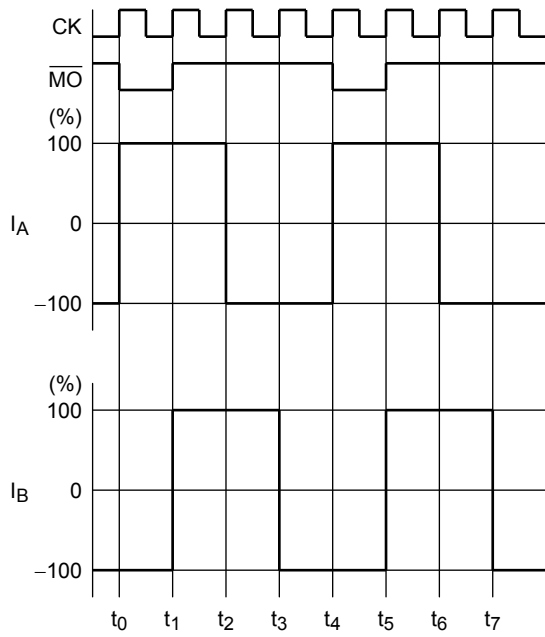
## Initial A- and B-Phase Currents

(This table also applies to the currents on exit from standby mode.)

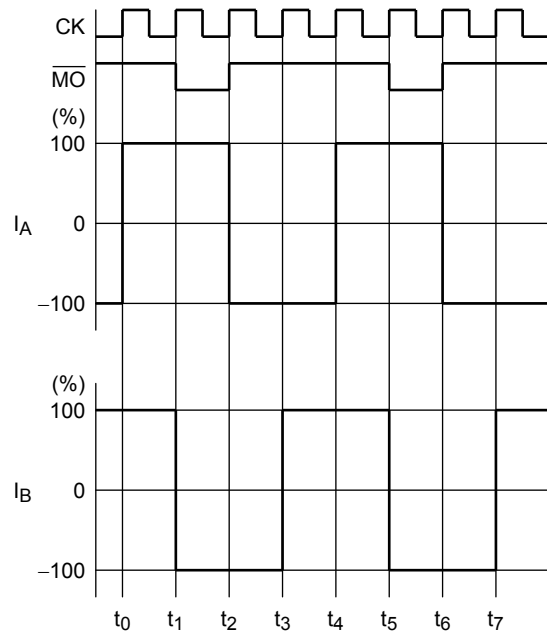
Excitation Mode	A-Phase Current	B-Phase Current
2-phase	100%	-100%
1-2-phase	100%	0%
W1-2-phase	100%	0%
2W1-2-phase	100%	0%

In this specification, the direction of current flows from AO1 to AO2 and from BO1 to BO2 are defined as the forward direction.

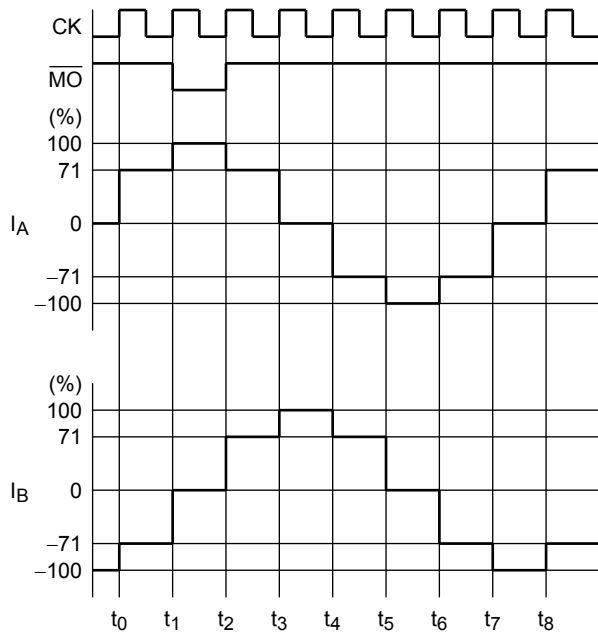
**2-Phase Excitation (M1: L, M2: L, CW Mode)**



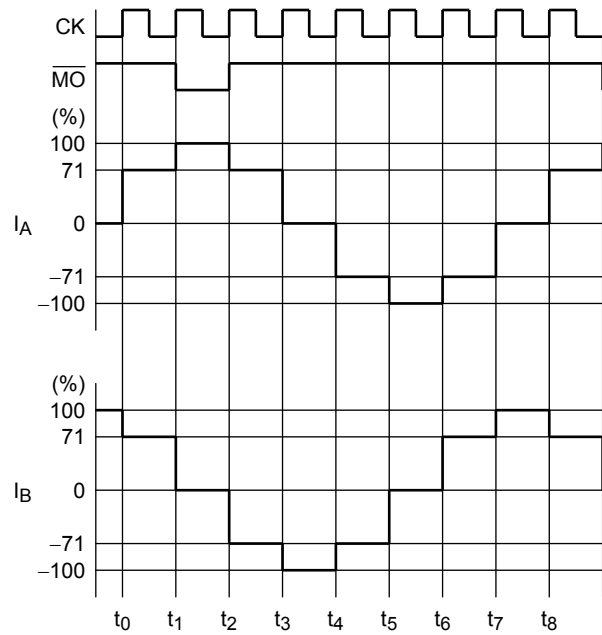
**2-Phase Excitation (M1: L, M2: L, CCW Mode)**



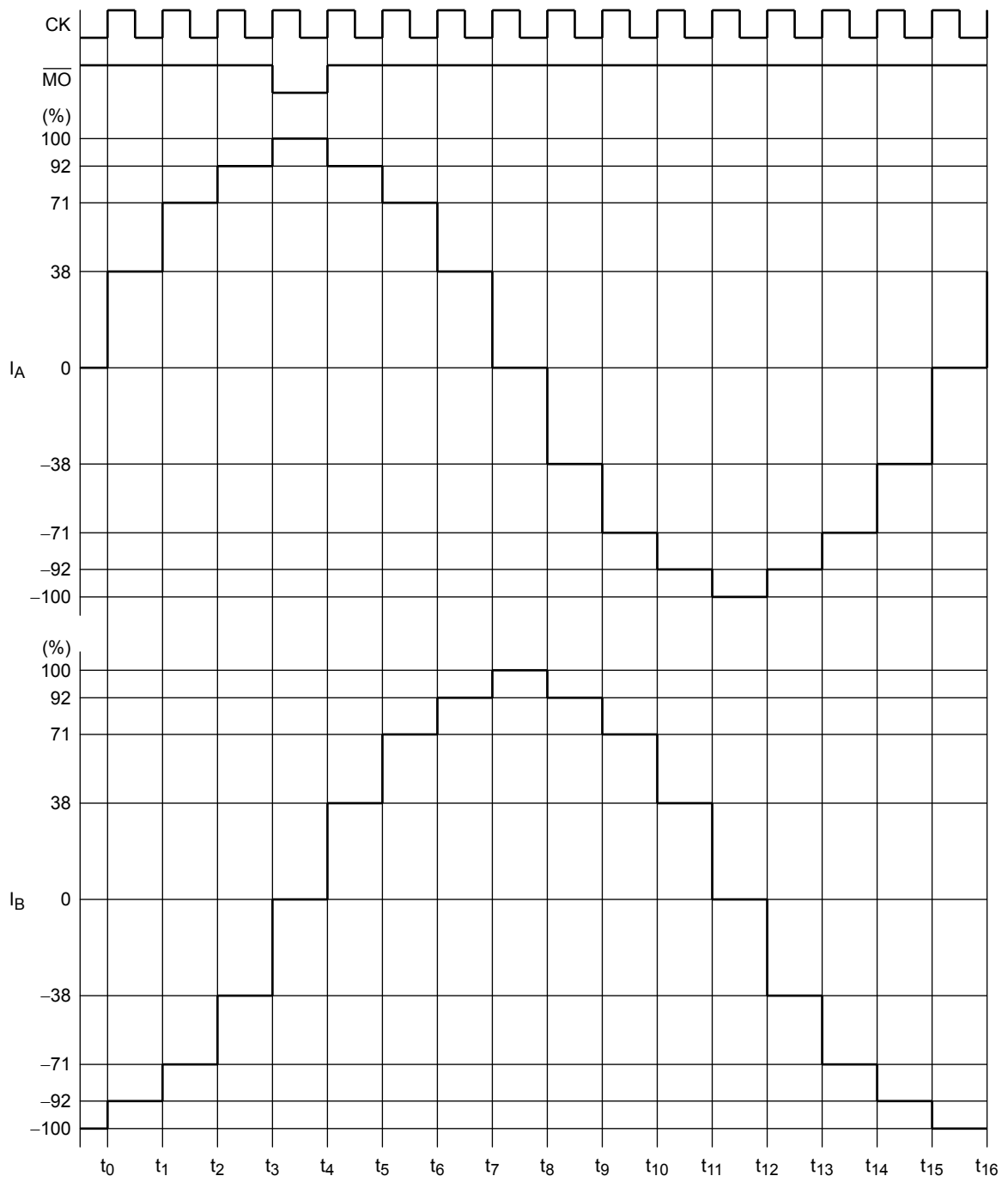
**1-2-Phase Excitation (M1: H, M2: L, CW Mode)**



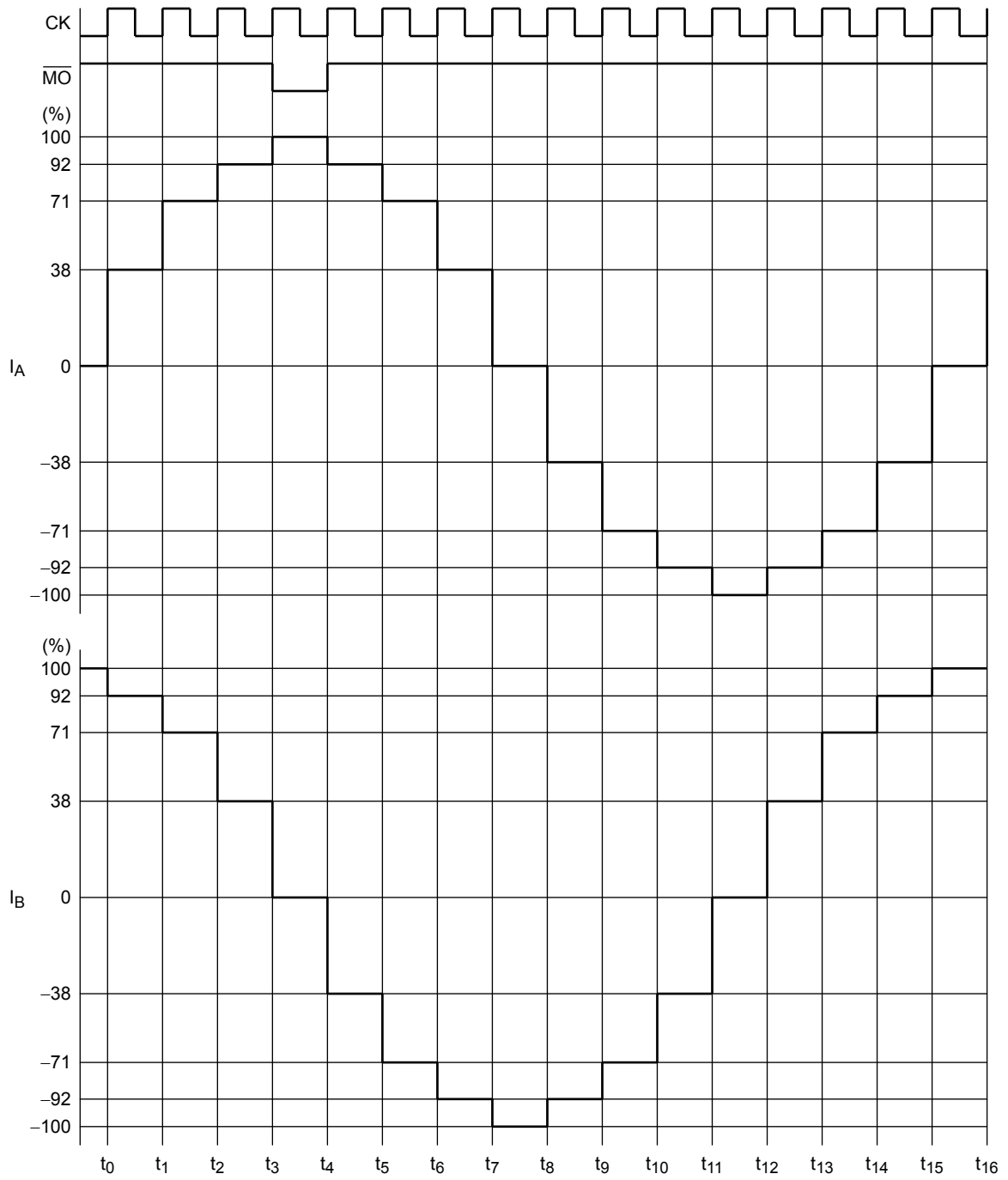
**1-2-Phase Excitation (M1: H, M2: L, CCW Mode)**



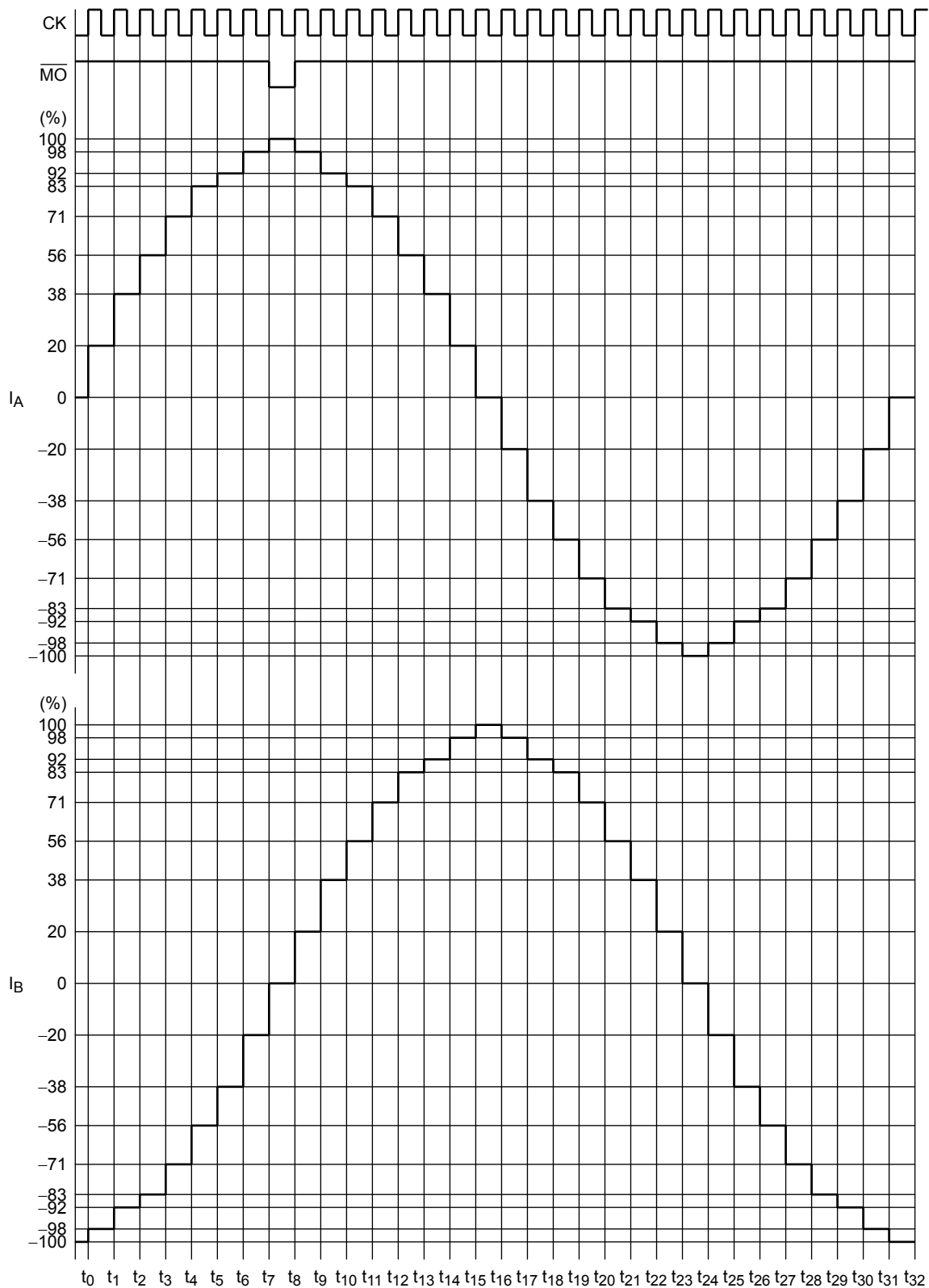
## W1-2-Phase Excitation (M1: L, M2: H, CW Mode)



W1-2-Phase Excitation (M1: L, M2: H, CCW Mode)

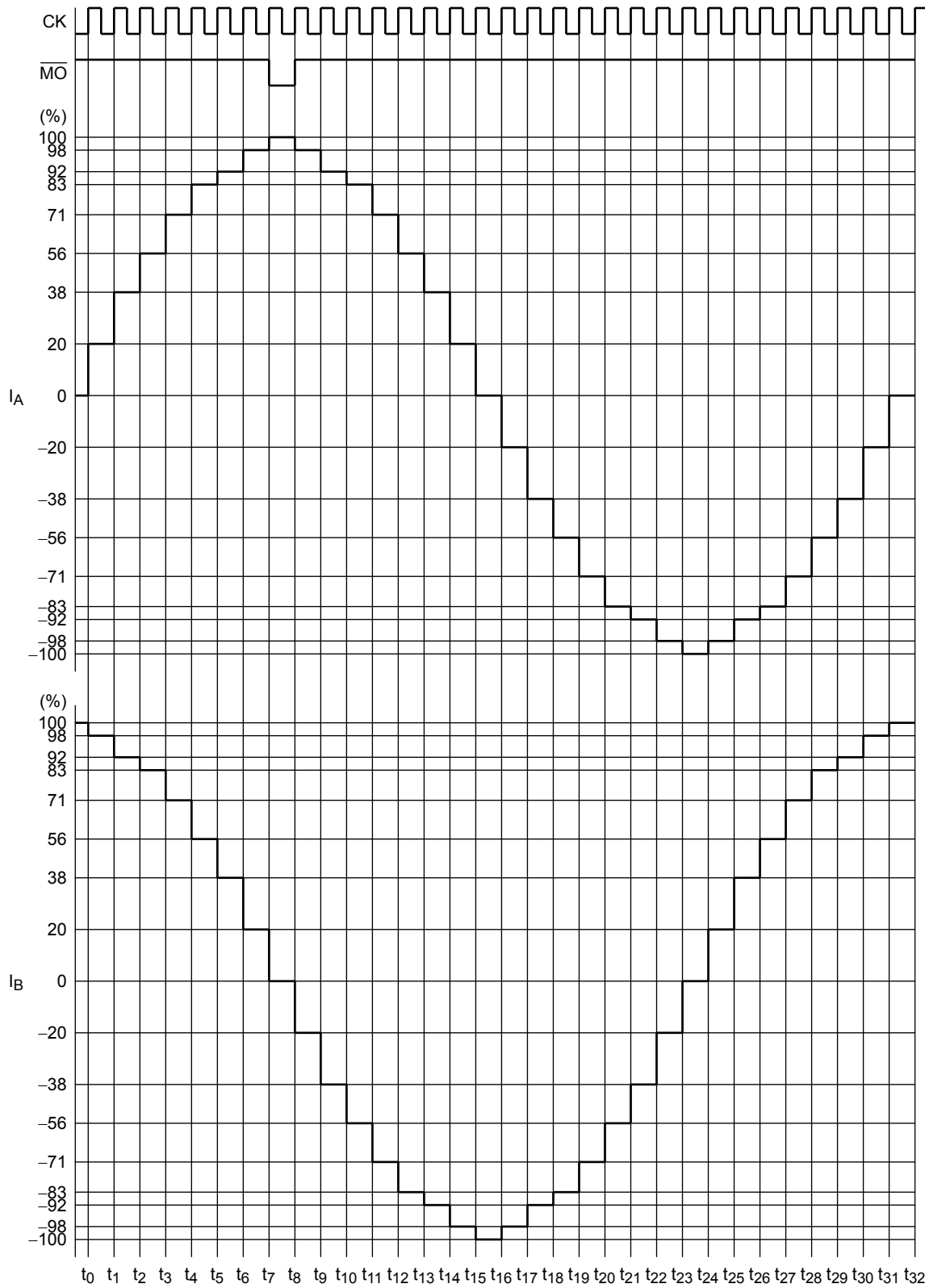


## 2W1-2-Phase Excitation (M1: H, M2: H, CW Mode)

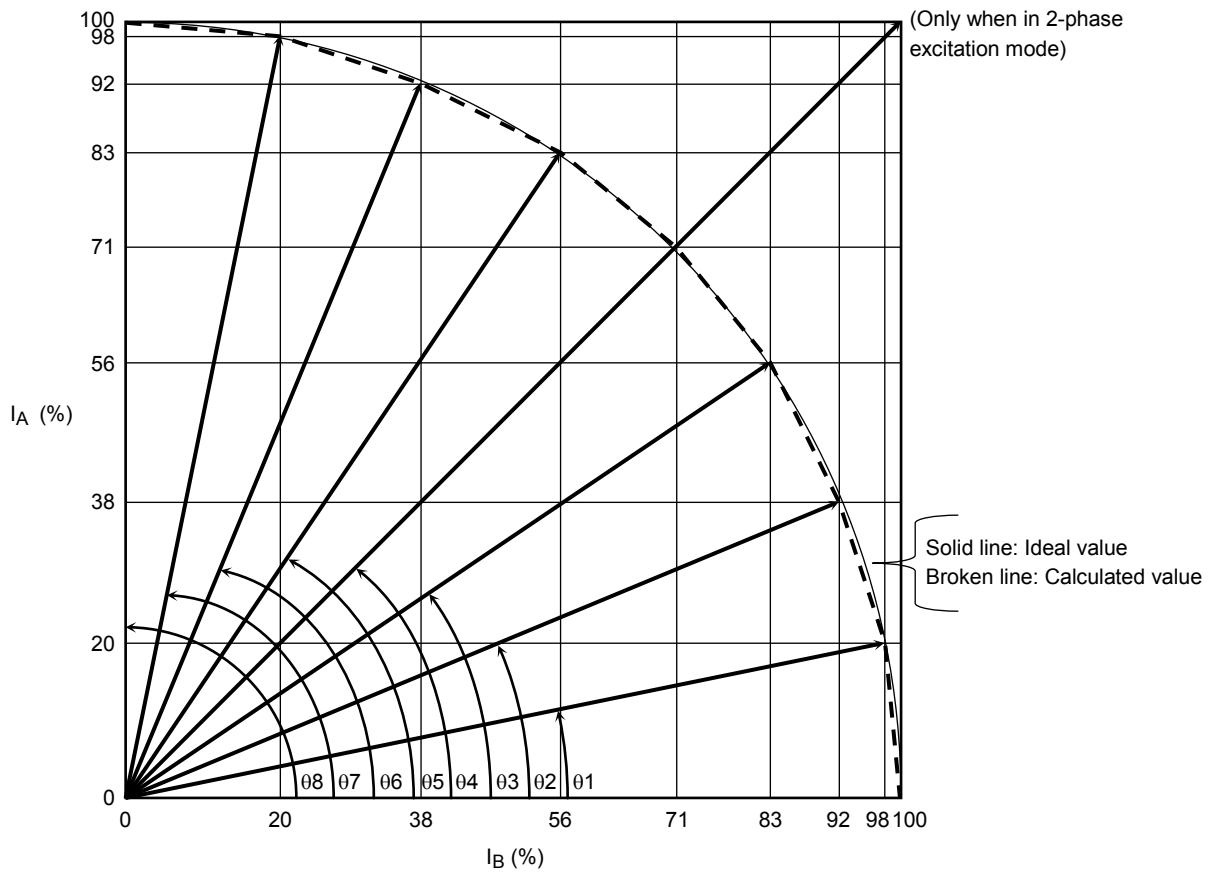




**2W1-2-Phase Excitation (M1: H, M2: H, CCW Mode)**



**Output Current Vector Locus (Normalizing a single step to 90 degrees)**



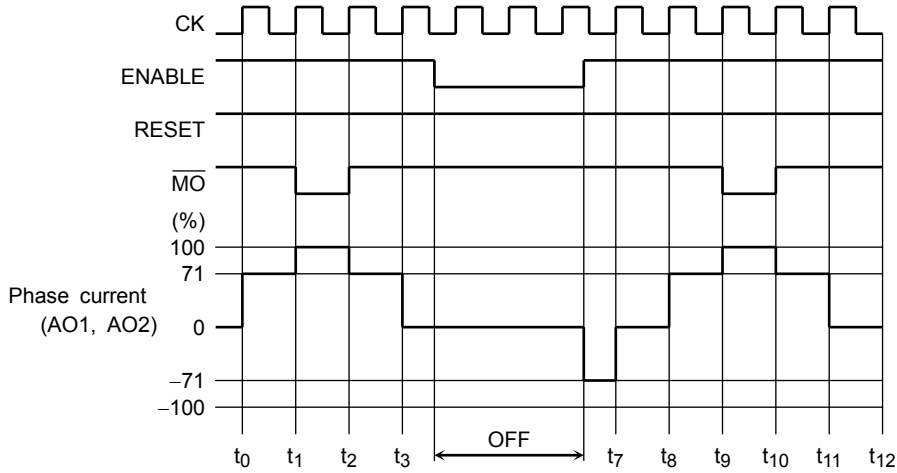
θ	Rotation Angle		Vector Length		
	Ideal	Calculated	Ideal	Calculated	
θ0	0.00°	0.00°	100	100.00	—
θ1	11.25°	11.53°	100	100.02	—
θ2	22.50°	22.44°	100	99.54	—
θ3	33.75°	34.01°	100	100.12	—
θ4	45.00°	45.00°	100	100.41	141.42
θ5	56.25°	55.99°	100	100.12	—
θ6	67.50°	67.56°	100	99.54	—
θ7	78.75°	78.47°	100	100.02	—
θ8	90.00°	90.00°	100	100.00	—
				1-2-/W1-2-/2W1-2-phase	2-phase

**Relationship between the ENABLE Input and the Phase Current and  $\overline{MO}$  Outputs**

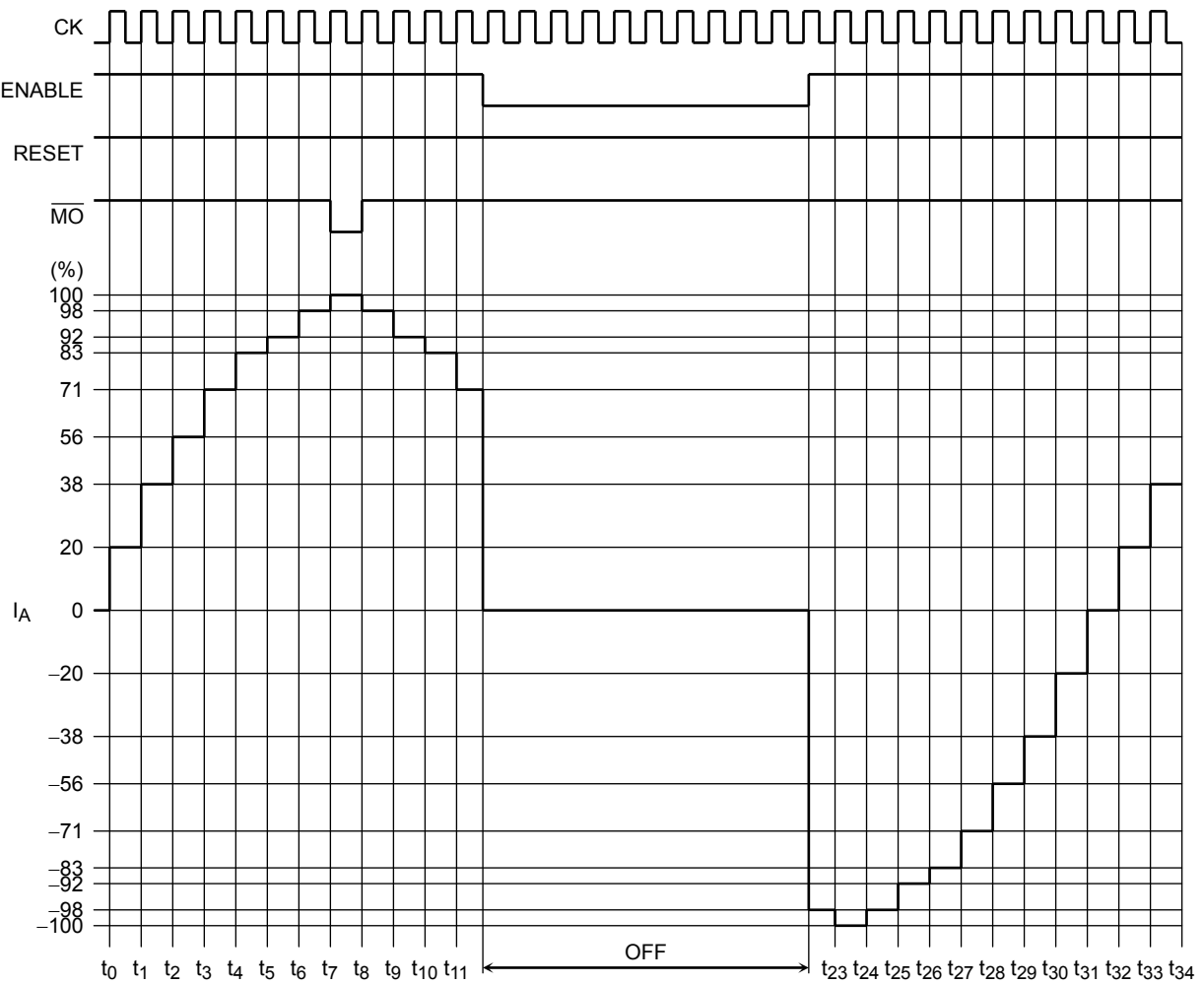
**Example 1: 1-2-phase excitation (M1: H, M2: L)**

Setting the ENABLE signal Low disables only the output signals. On the other hand, internal logic functions continue to operate in accordance with the CK signal.

Therefore, when the ENABLE signal goes High again, the output current generation is restarted as if phases proceeded with the CK signal.



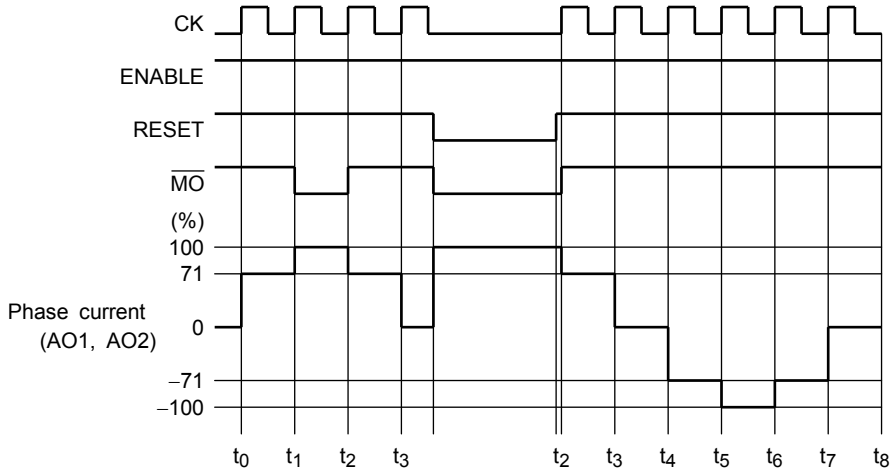
**Example 2: 2W1-2-phase excitation (M1: H, M2: H)**



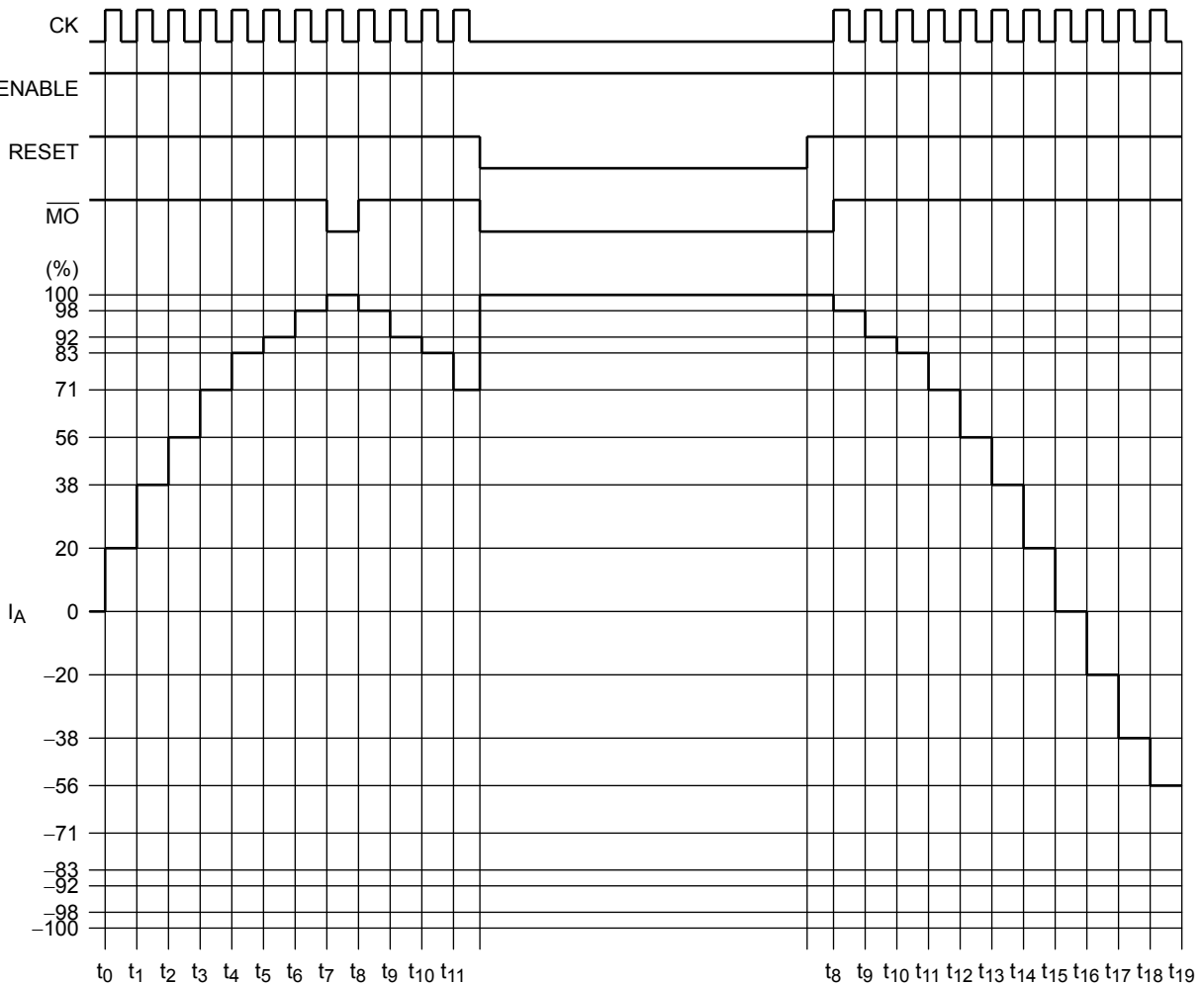
**Relationship between the RESET Input and the Phase Current and  $\overline{MO}$  Outputs**

**Example 1: 1-2-phase excitation (M1: H, M2: L)**

Setting the  $\overline{RESET}$  signal Low causes the outputs to be put in the Initial state and the  $\overline{MO}$  output to be Low. (Initial state: A-channel output current is at its peak (100%)) When the  $\overline{RESET}$  signal goes High again, the output current generation is resumed at the next rising edge of the CK signal with the state following the Initial state. If  $\overline{RESET}$  goes High when CK is already High, the output current generation is resumed immediately without waiting for the next rising edge of CK with the state following the Initial state.



**Example 2: 2W1-2 phase excitation (M1: H, M2: H)**



## Absolute Maximum Ratings (Ta = 25°C)

Characteristics	Symbol	Rating	Unit
Power supply voltage	V <sub>CC</sub>	6	V
	V <sub>M</sub>	15	V
Output current	I <sub>out(AO), I<sub>out(BO)</sub></sub>	0.8	A
	I <sub>MO</sub>	1	mA
Withstand voltage of $\overline{MO}$	V <sub>MO</sub>	V <sub>CC</sub>	V
Input voltage	V <sub>IN</sub>	-0.2 to V <sub>CC</sub> + 0.2	V
Power dissipation	P <sub>D</sub>	0.71 (Note 1)	W
		0.96 (Note 2)	
Operating temperature	T <sub>opr</sub>	-20 to 85	°C
Storage temperature	T <sub>stg</sub>	-55 to 150	°C

Note 1: IC only

Note 2: Mounted on a glass epoxy board (50 × 50 × 1.6 mm, Cu 40%)

## Recommended Operating Conditions (Ta = -20 to 85°C)

Characteristics	Symbol	Test Condition	Min	Typ.	Max	Unit
Control power supply voltage	V <sub>CC (opr)</sub>	—	2.7	3.3	5.5	V
Motor power supply voltage	V <sub>M (opr)</sub>	—	2.5	5	13.5	V
Output current	I <sub>OUT</sub>	2.5 V ≤ V <sub>M</sub> ≤ 4.8 V	—	—	0.35	A
Output current	I <sub>OUT</sub>	4.8 V < V <sub>M</sub> ≤ 13.5 V	—	—	0.6	A
Input voltage	V <sub>IN</sub>	—	—	—	V <sub>CC</sub>	V
Clock frequency	f <sub>ck</sub>	—	—	1	10	kHz
OSC frequency	f <sub>osc</sub>	—	80	460	780	kHz
Chopping frequency	f <sub>chop</sub>	—	20	115	195	kHz

## Functional Descriptions

The oscillation frequency of a triangular wave f<sub>osc</sub> can be calculated as follows:

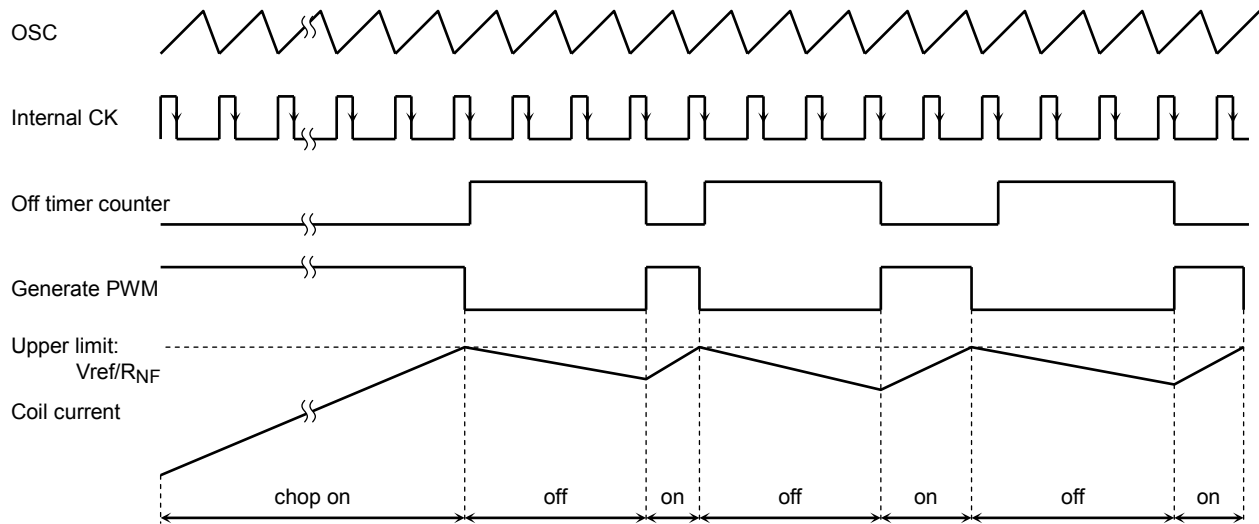
$$\begin{aligned}
 f_{osc} &= \frac{I}{2 \times \Delta V_{osc} \times C_{osc}} \\
 &= \frac{101 \mu A}{2 \times (1.1 V - 0.6 V) \times C_{osc}} \\
 &= 1.1 \times 10^{-4} \times \frac{1}{C_{osc}}
 \end{aligned}$$

(Since this is an approximation formula, the calculation result may differ from the actual value.)

**Chopper Control**

Turning on the power (chop on) causes a current to flow into the coils. Once the VRF voltage reaches Vref, it is detected by the comparator and the power is turned off (chop off).

The off timer/counter counts the number of falling edges of the internal CK signal, which is derived from the OSC signal, and generates the motor-driving PWM signal based on the turn-off time of four CK cycles.



The upper limit of the current across the motor coil (i.e., the peak current in each excitation mode), I (Limit), can be calculated as follows:

$$I \text{ (Limit)} = V_{\text{ref}}/R_{\text{NF}}$$

Vref equals to 0.125 V when TQ is Low, while it equals to 0.5 V when TQ is High.

RNF is the value of resistors used for output current detection. One of those resistors is connected between RFA and GND, and the other is connected between RFB and GND.

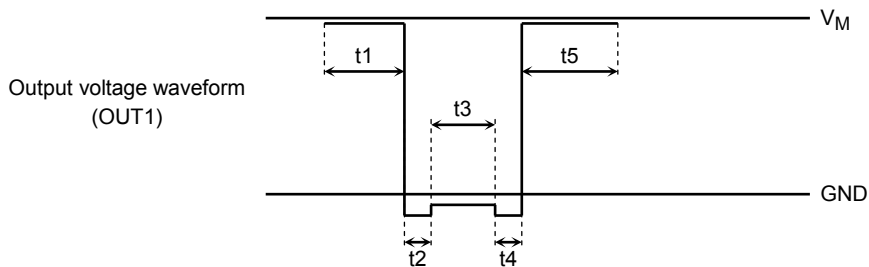
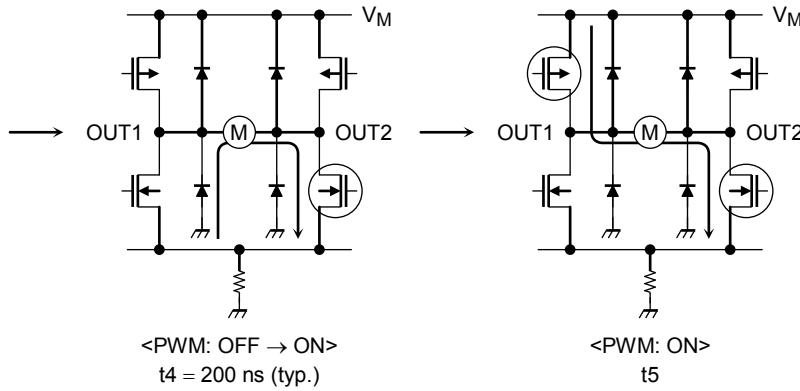
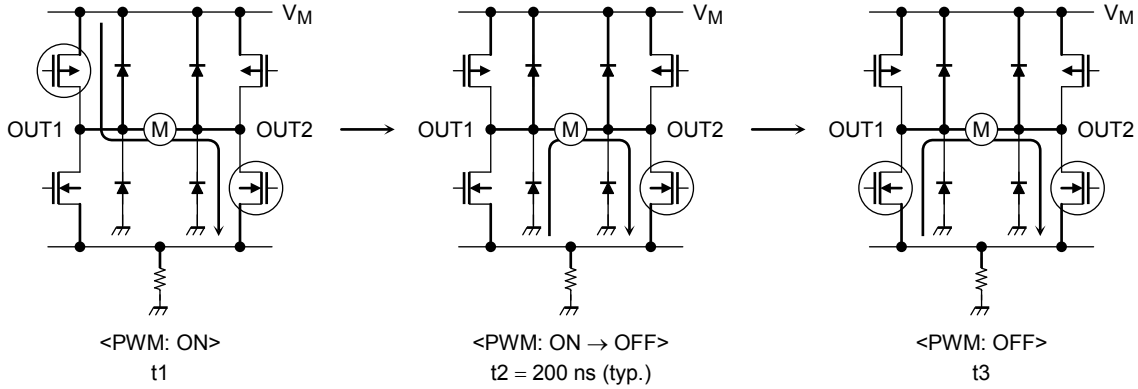
Timing chart may be simplified for the sake of brevity.

**PWM Control**

In PWM mode, the motor operating mode changes between CW/CCW and short brake alternately.

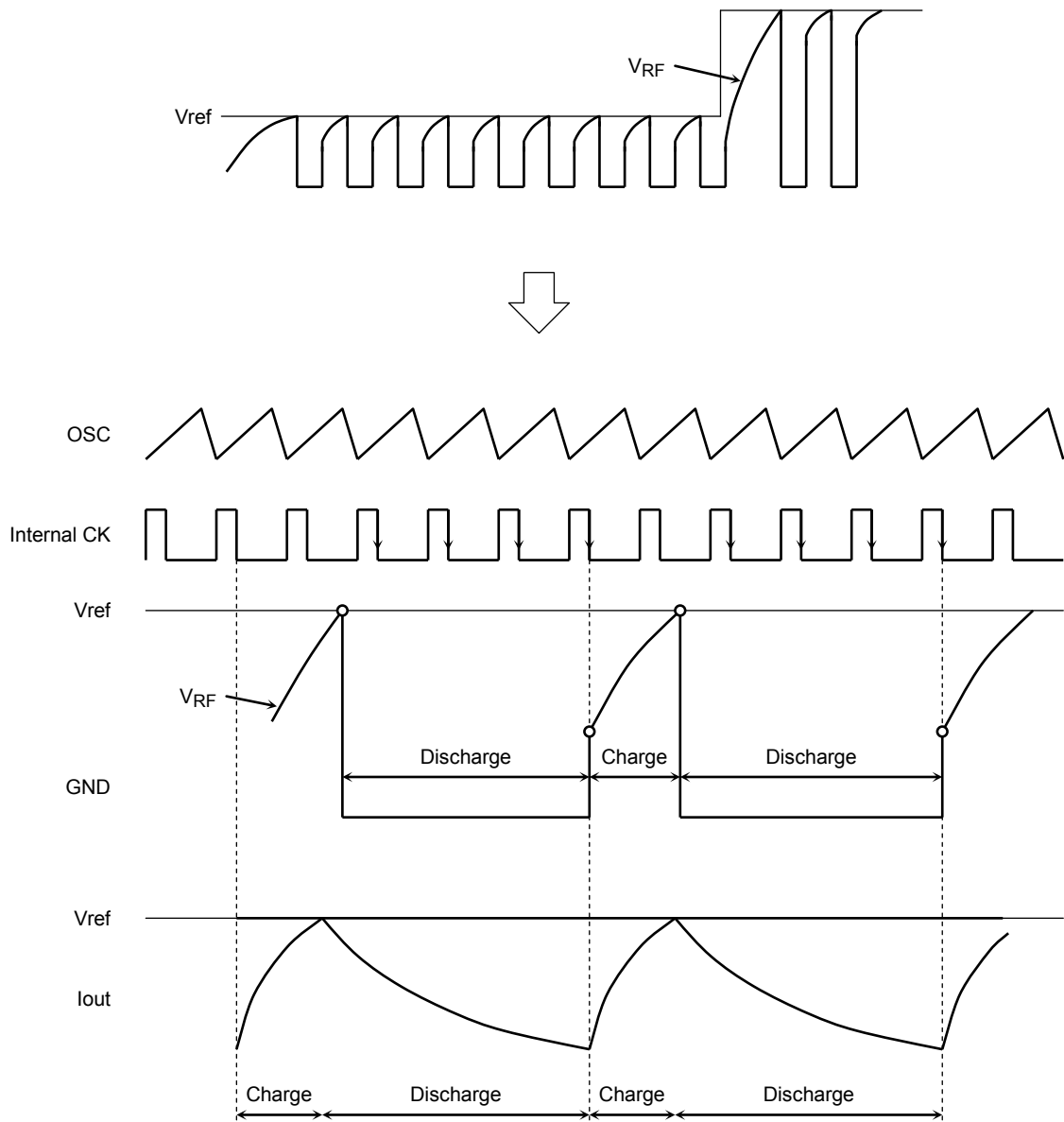
To eliminate shoot-through current that flows from supply to ground due to the simultaneous conduction of high-side and low-side transistors in the bridge output, a dead time of 200 ns (design target value) is generated in the IC when transistors switch from on to off (t2), or vice versa (t4).

This permits a synchronous rectification PWM operation without controlling the dead time externally.



**1. Constant-Current Chopping**

When  $V_{RF}$  reaches the predefined  $V_{ref}$  voltage, the constant-current regulator enters Discharge mode. After four cycles of CK, an internal clock generated by OSC, the regulator moves from Discharge mode to Charge mode.

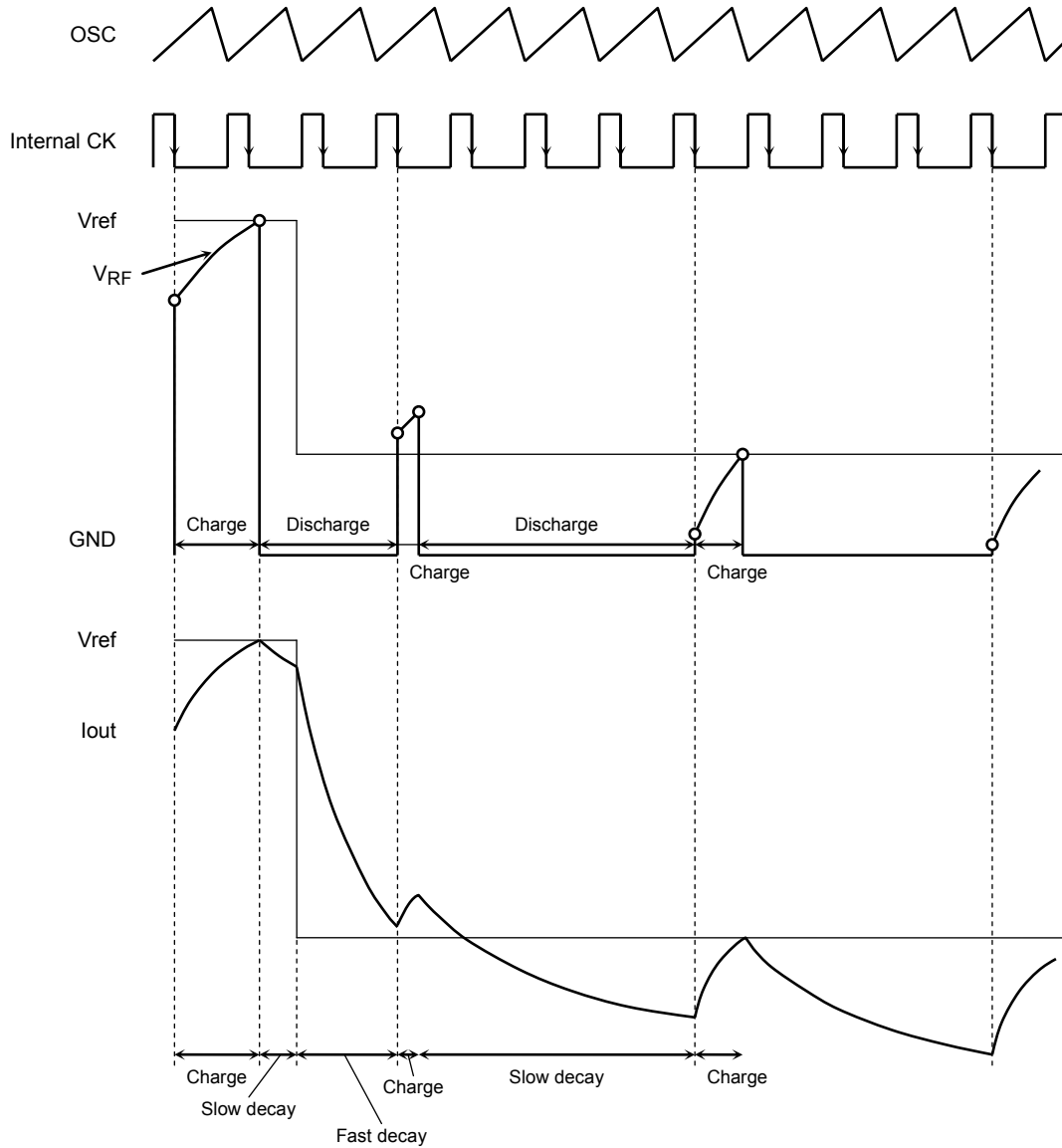




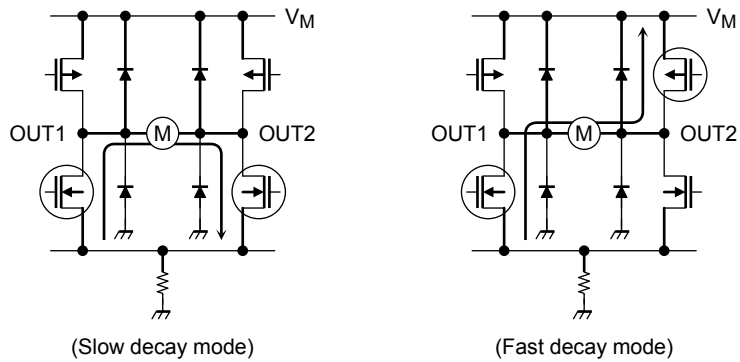
**2. Changing the Predefined Current to the Lower Value**

During deceleration, the regulator enters fast-decay mode immediately after the end of the current decay slope of slow-decay mode. The distortion of the current waveform can be reduced by the regenerative current from a coil that flows back to the power supply. Two CK cycles later, the regulator exits fast decay mode and enters Charge mode. (The fast-decay time, which is specified herein as two CK cycles, varies depending on the mode setting. A detailed description of the mode setting is provided in the Current Decay Mode section.)

When  $V_{RF}$  reaches the reference voltage ( $V_{ref}$ ), the regulator enters Discharge mode. Four CK cycles later, the regulator exits Discharge mode and enters Charge mode. If  $V_{RF} > V_{ref}$  when it enters Charge mode, however, it then reenters Discharge mode. Four CK cycles later,  $V_{RF}$  is again compared against  $V_{ref}$ . If  $V_{RF} < V_{ref}$ , the regulator remains in Charge mode until  $V_{RF}$  reaches  $V_{ref}$ .

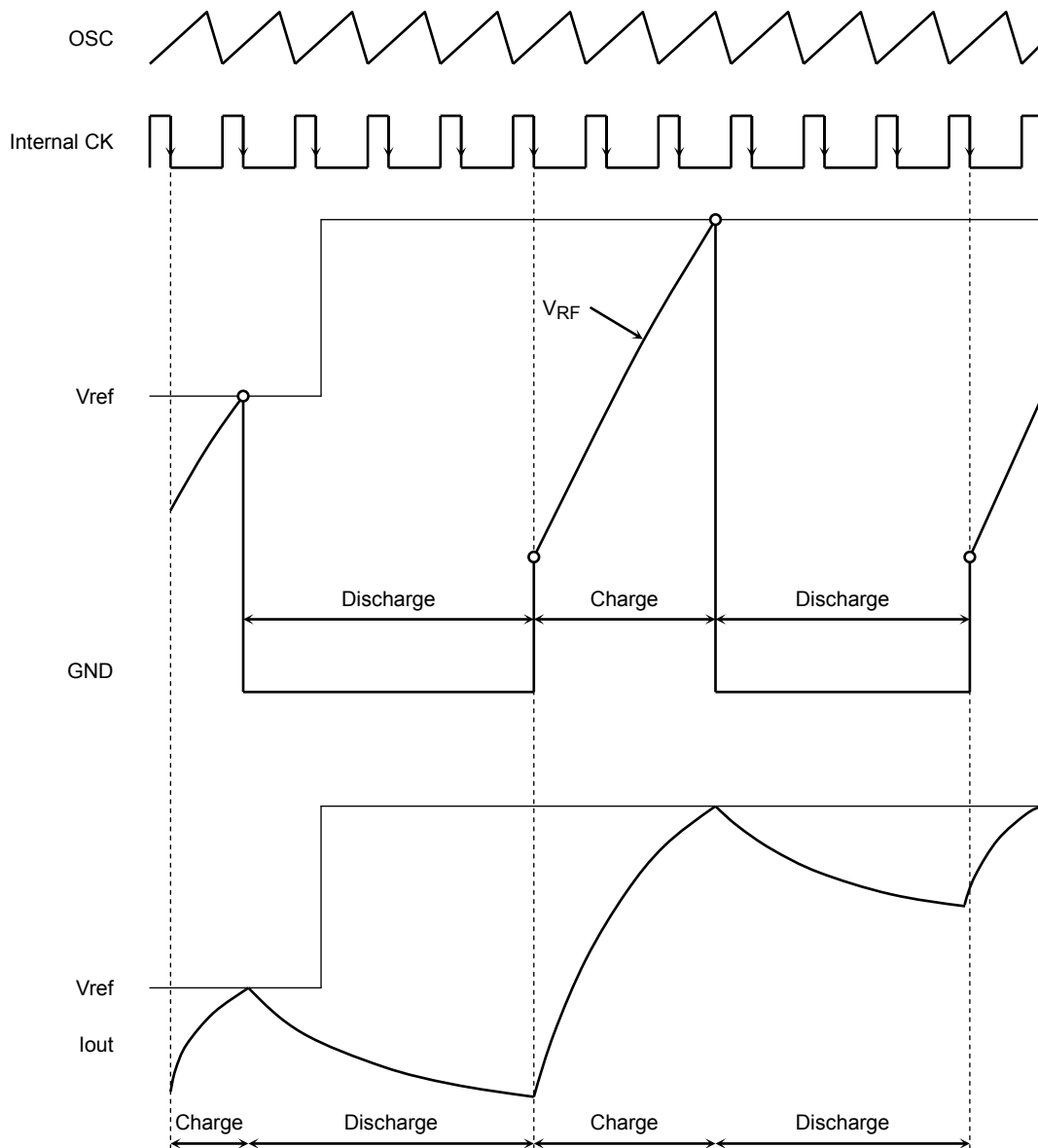


In fast-decay mode, the regenerative current from a coil flows back to the power supply as shown below.



**3. Changing the Predefined Current to the Higher Value**

Even when the  $V_{ref}$  voltage is increased, the regulator remains in Discharge mode for four CK cycles and then enters Charge mode. During acceleration, the current decays only in slow-decay mode.



**Setting the Current Decay Mode**

**Table Fast-Decay Time Inserted During the Current Decay Period**

(, which is expressed as the number of CK cycles (an actual value may not exactly equal to the specified value).)

Input	2W1-2-Phase			W1-2-Phase			1-2-Phase		
	Predefined Current	Number of CK Cycles		Predefined Current	Number of CK Cycles		Predefined Current	Number of CK Cycles	
DCY	%	TQ = H	TQ = L	%	TQ = H	TQ = L	%	TQ = H	TQ = L
L	100			100			100		
	98	0	0						
	92	0	0	92	0	0			
	83	0	0						
	71	0	0	71	0	0	71	0	0
	56	0	0						
	38	0	0	38	0	0			
	20	0	0						
	0	0	0	0	0	0	0	0	0
H	100			100			100		
	98	2	1						
	92	2	1	92	2	1			
	83	2	1						
	71	2	1	71	4	2	71	4	2
	56	4	2						
	38	4	2	38	4	2			
	20	4	2						
	0	0	0	0	0	0	0	0	0

If no distortion can be observed in the output current waveform, the DCY pin should be kept High. The distortion reduction depends on the motor characteristics. If any distortion can be observed, the DCY pin should be kept Low. Also, it should be ensured that the DCY input is set High only when the coil of a motor has an inductance of 1.5 mH or higher where fosc is no less than 100 kHz.

**Thermal Shutdown (TSD) Circuit**

The TB6608FNG includes a thermal shutdown circuit, which turns the output transistors off when the junction temperature (T<sub>j</sub>) exceeds 160°C (typ.).

The output transistors are automatically turned on when T<sub>j</sub> cools past the shutdown threshold, which is lowered by a hysteresis of 40°C.

T<sub>SD</sub> = 160°C (design target value)

ΔT<sub>SD</sub> = 40°C (design target value)

- \* In thermal shutdown mode, the internal circuitry and outputs assume the same states as in Enable Wait mode. Upon exit from thermal shutdown mode, they revert to those states which they assume when taken out of Enable Wait mode.

**Undervoltage Lockout (UVLO) Circuit**

The TB6608FNG includes an undervoltage lockout circuit, which puts the output transistors in the high-impedance state when VCC decreases to 2.0 V (typ.) or lower.

The output transistors are automatically turned on when VCC increases past the lockout threshold, which is raised to 2.03 V by a hysteresis of 0.03 V.

Even when UVLO circuit is tripped, internal circuitry continues to operate in accordance with the CK input like when ENABLE is set Low. Thus, after the TB6608FNG exits the UVLO mode, the RESET signal should be asserted for putting the TB6608FNG in the Initial state if necessary.

**Electrical Characteristics**

(Unless otherwise specified, Ta = 25°C, VCC = 3.3 V, VM = 5 V, RNF = 2 Ω, COSC = 220 pF.)

Characteristics	Symbol	Test Circuit	Test Condition	Min	Typ.	Max	Unit
Input voltage	VIN (H) (1)	1	CW/CCW, CK, RESET, ENABLE, M1, M2 (@ VCC = 3.3 V)	2	—	VCC + 0.2	V
	VIN (L) (1)			-0.2	—	0.8	V
	VIN (H) (2)	1	CW/CCW, CK, RESET, ENABLE, M1, M2 (@ VCC = 5.5 V)	2.8	—	VCC + 0.2	V
	VIN (L) (2)			-0.2	—	0.8	V
	VIN (H) (3)	1	STBY, TQ, DCY	VCC × 0.6	—	VCC + 0.2	V
	VIN (L) (3)			-0.2	—	VCC × 0.15	V
Input hysteresis voltage	VH	—	CW/CCW, CK, RESET, ENABLE, M1, M2	—	200	—	mV
Input current	IINH	1	VIN = 3.0 V	5	15	25	μA
	IINL		VIN = GND	—	—	1	μA
Dynamic supply current	ICC1	2	Outputs: Open, ENABLE: H, RESET: H	—	4	6	mA
	ICC2		ENABLE: L	—	4	6	mA
	ICC3		Standby mode	—	5	10	μA
	IM1		Outputs: Open, ENABLE: H, RESET: H	—	1	2	mA
	IM2		ENABLE: L	—	0.5	1.0	mA
	IM3		Standby mode	—	—	1	μA
Comparator reference voltage	VRFA (1), VRFB (1)	3	TQ: L, 2-phase excitation	0.1	0.125	0.15	V
	VRFA (2), VRFB (2)		TQ: H, 2-phase excitation	0.445	0.5	0.555	
Channel-to-channel voltage differential	ΔVO	—	B/A, TQ: L	-11	—	11	%
Undervoltage lockout threshold at VCC	Lower threshold	UVLD	(Design target value)	—	2.0	—	V
	Upper threshold	UVLC	(Design target value)	—	2.03	—	V
MO output voltage	VMO	—	I <sub>MO</sub> = 1 mA	—	—	0.5	V
OSC frequency	fOSC	—	COSC = 220 pF	300	460	620	kHz

This table shows which inputs are TTL-compatible and which ones are CMOS-compatible. This also shows whether they are provided with hysteresis.

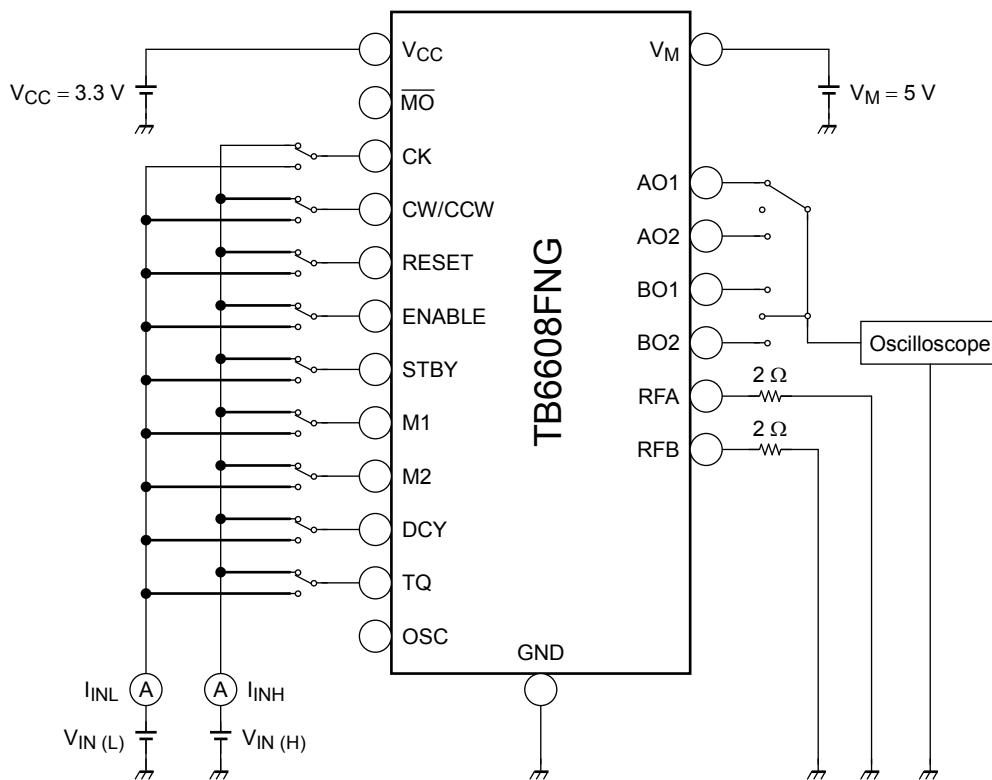
Input Pins	Input Level	Hysteresis
CW/CCW, CK, RESET, ENABLE, M1, M2	TTL	Yes
STBY, TQ, DCY	CMOS	No

## Output Block

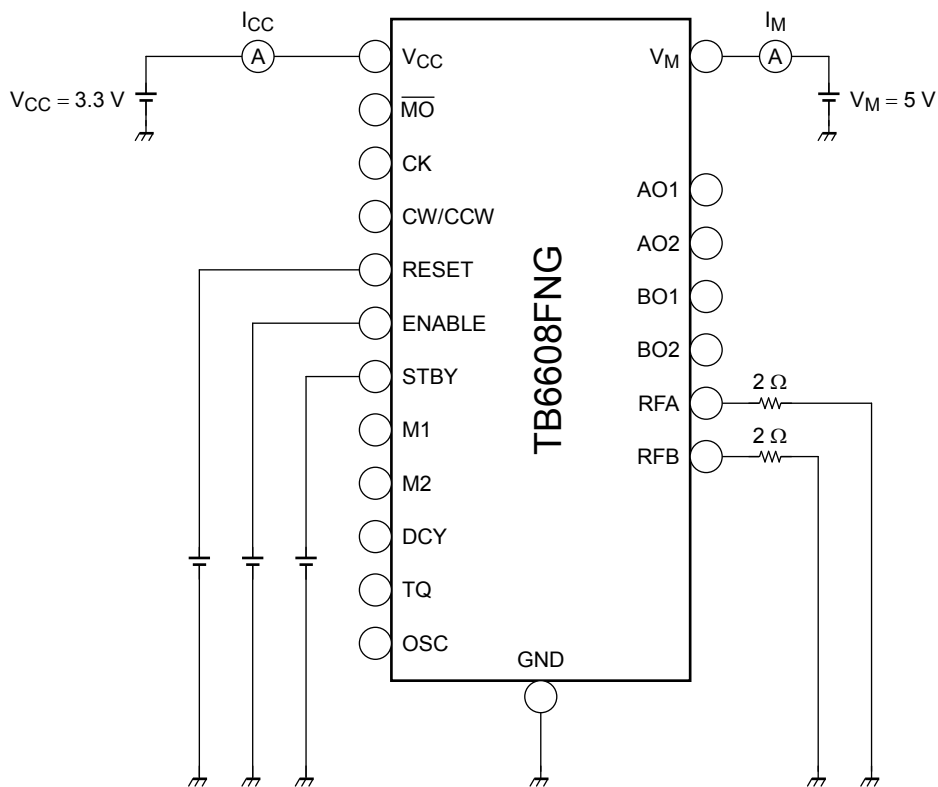
Characteristics			Symbol	Test Circuit	Test Condition	Min	Typ.	Max	Unit					
Output saturation voltage			$V_{SAT(U+L)}$	4	$I_{OUT} = 0.2\text{ A}$	—	0.3	0.4	V					
					$I_{OUT} = 0.6\text{ A}$	—	0.9	1.2						
Diode forward voltage			$V_{FU}$ $V_{FL}$	5	$I_{OUT} = 0.6\text{ A}$	—	1	1.2	V					
						—	1	1.2						
A/B-phase chopping current (Note)	2W1-2-phase excitation	W1-2-phase excitation	1-2-phase excitation	Vector	3	$\theta = 0$ $\theta = 1/8$ $\theta = 2/8$ $\theta = 3/8$ $\theta = 4/8$ $\theta = 5/8$ $\theta = 6/8$ $\theta = 7/8$	TQ: L $R_{NF} = 2\ \Omega$ $C_{OSC} = 220\text{ pF}$	—	100	—	%			
	2W1-2-phase excitation	—	—					92	98	101				
	2W1-2-phase excitation	W1-2-phase excitation	—					86	92	98				
	2W1-2-phase excitation	—	—					77	83	89				
	2W1-2-phase excitation	W1-2-phase excitation	1-2-phase excitation					65	71	77				
	2W1-2-phase excitation	—	—					50	56	62				
	2W1-2-phase excitation	W1-2-phase excitation	—					32	38	44				
	2W1-2-phase excitation	—	—					14	20	26				
	2-phase excitation							—	—	—		100	—	—
	Output transistor switching characteristics (Design target value)							$t_r$	7	@ load: 5 mH, 50 $\Omega$		—	0.5	—
$t_f$				—	0.5	—								
$t_{pLH}$				CK to Output	—	5	—							
$t_{pHL}$					—	5	—							
$t_{pLH}$				RESET to Output	—	5	—							
$t_{pHL}$					—	5	—							
$t_{pLH}$				ENABLE to Output	—	1	—	ms						
$t_{pHL}$					—	0.5	—							
Output leakage current		Upper	$I_{OH}$	6	$V_M = 13\text{ V}$	—	—	1	$\mu\text{A}$					
		Lower	$I_{OL}$			—	—	1						

Note: Relative to the peak current at  $\theta = 0$ .

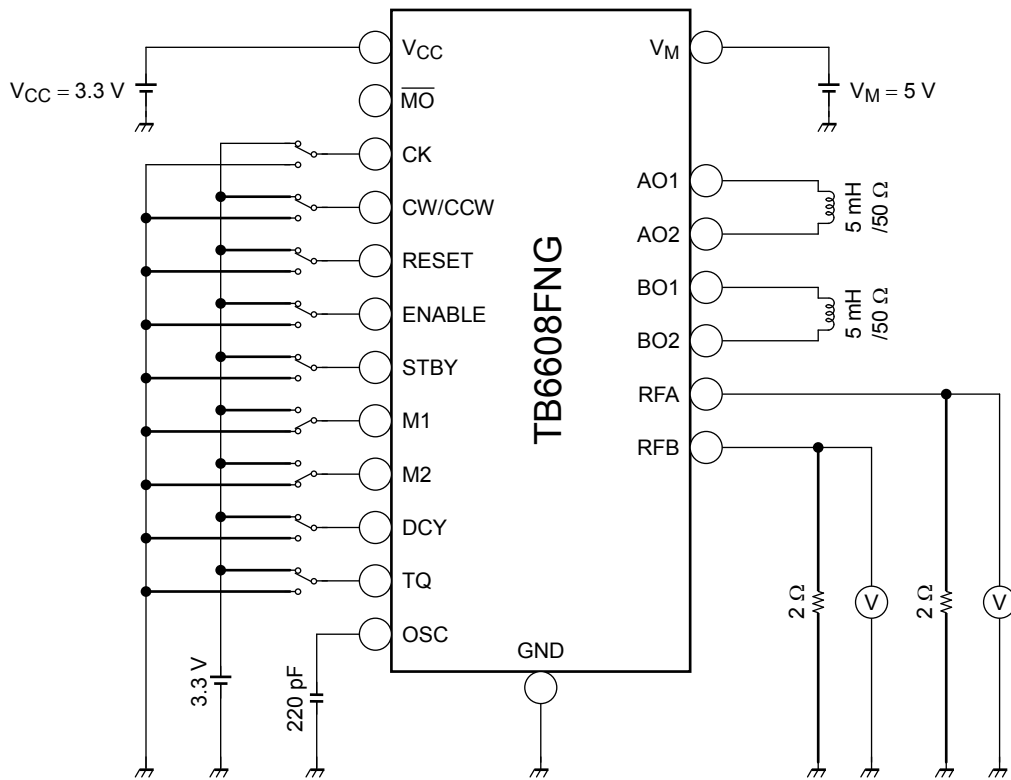
**Test Circuit 1:  $V_{IN(H)}$ ,  $V_{IN(L)}$ ,  $I_{INH}$ ,  $I_{INL}$**



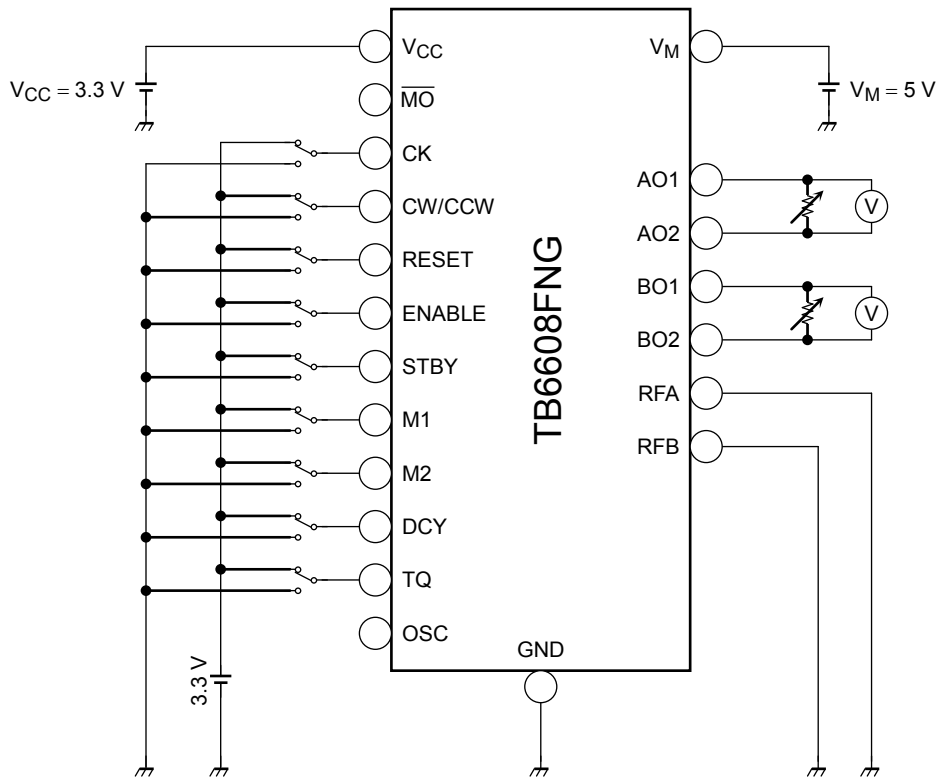
**Test Circuit 2:  $I_{CC}$ ,  $I_M$**



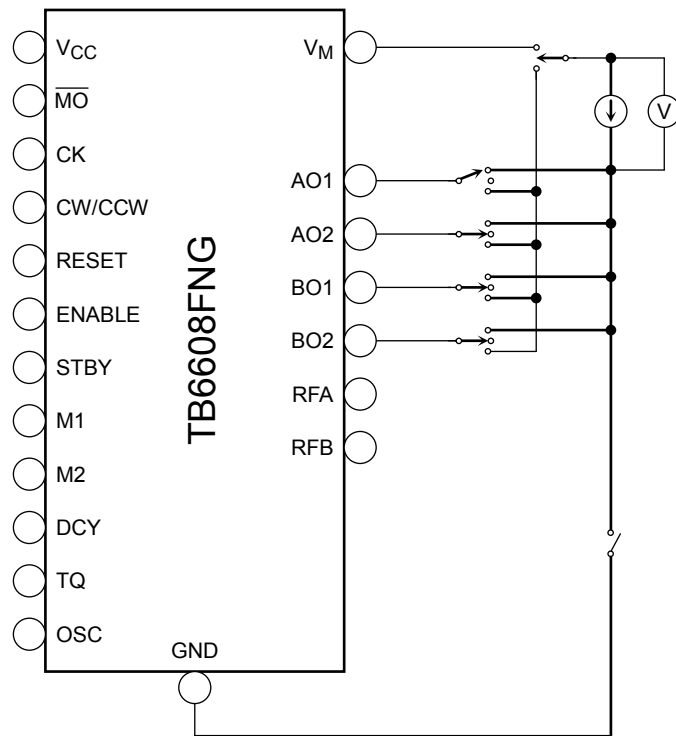
**Test Circuit 3:  $V_{RFA}$ ,  $V_{RFB}$**



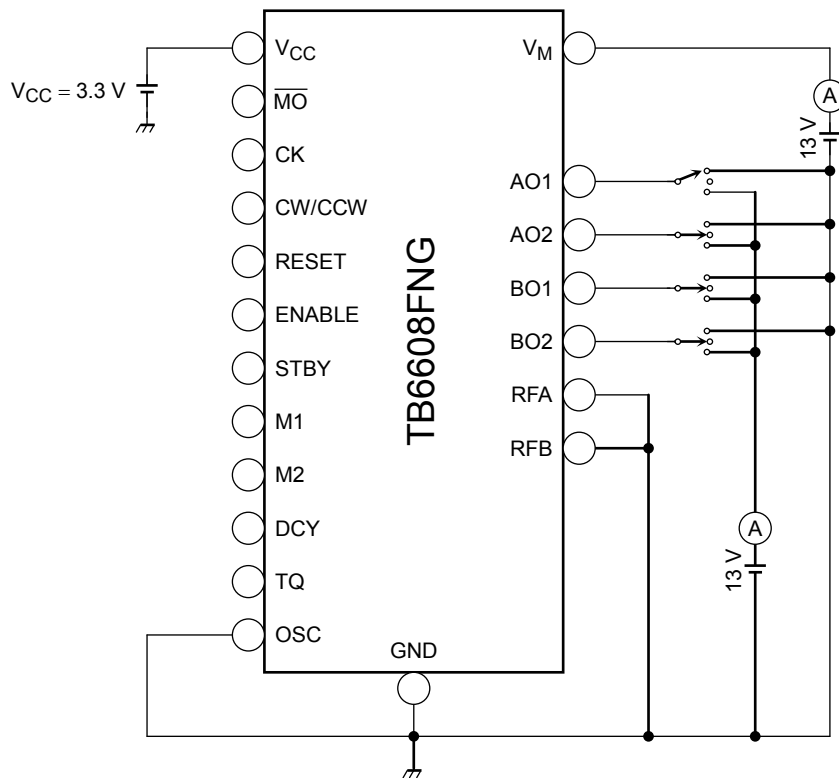
**Test Circuit 4:  $V_{SAT}$  (UL)**



**Test Circuit 5:  $V_{FU}$ ,  $V_{FL}$**

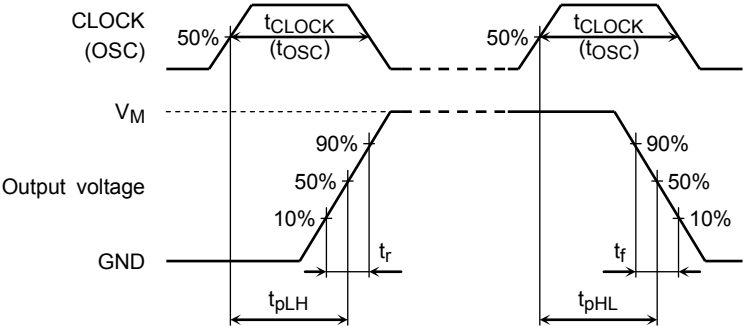


**Test Circuit 6:  $I_{OH}$ ,  $I_{OL}$**

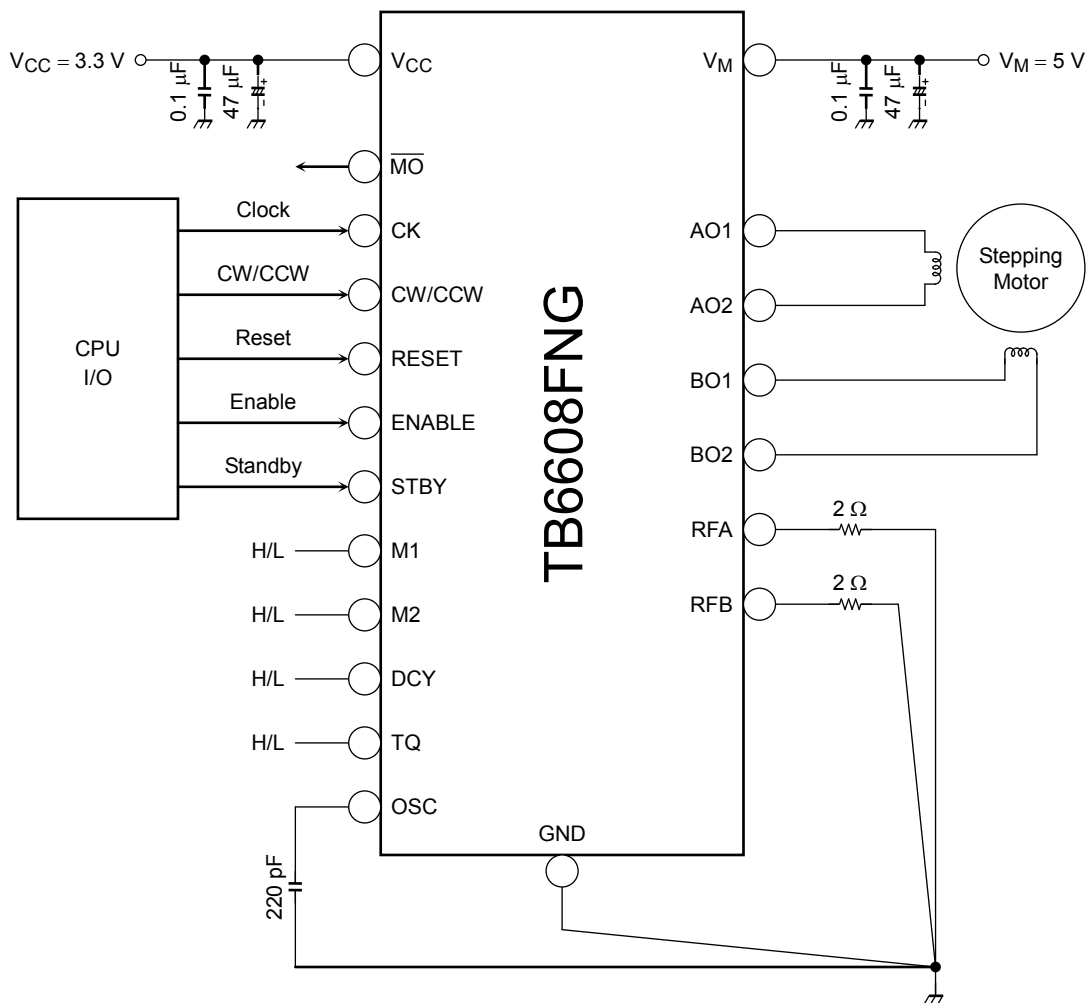




**AC Electrical Characteristics, Test Circuit 7: CK (OSC) and Output Voltage**



**Application Circuit Example**



Note 1: Capacitors for the power supply lines should be connected as close to the IC as possible.

Note 2: The STBY pin must be set Low upon powering on and off the device. Otherwise, a large current might abruptly flow through the output pins.

Also, at the power-on, VM must be applied after applying VCC. At the power-off, VCC must be turned off after turning off VM.

**Usage Considerations**

A large current might abruptly flow through the IC in case of a short-circuit across its outputs, a short-circuit to power supply or a short-circuit to ground, leading to a damage of the IC. Also, the IC or peripheral parts may be permanently damaged or emit smoke or fire resulting in injury especially if a power supply pin (VCC, VM) or an output pin (AO1, AO2, BO1, BO2) is short-circuited to adjacent or any other pins.

These possibilities should be fully considered in the design of the output, VCC, VM and ground lines.

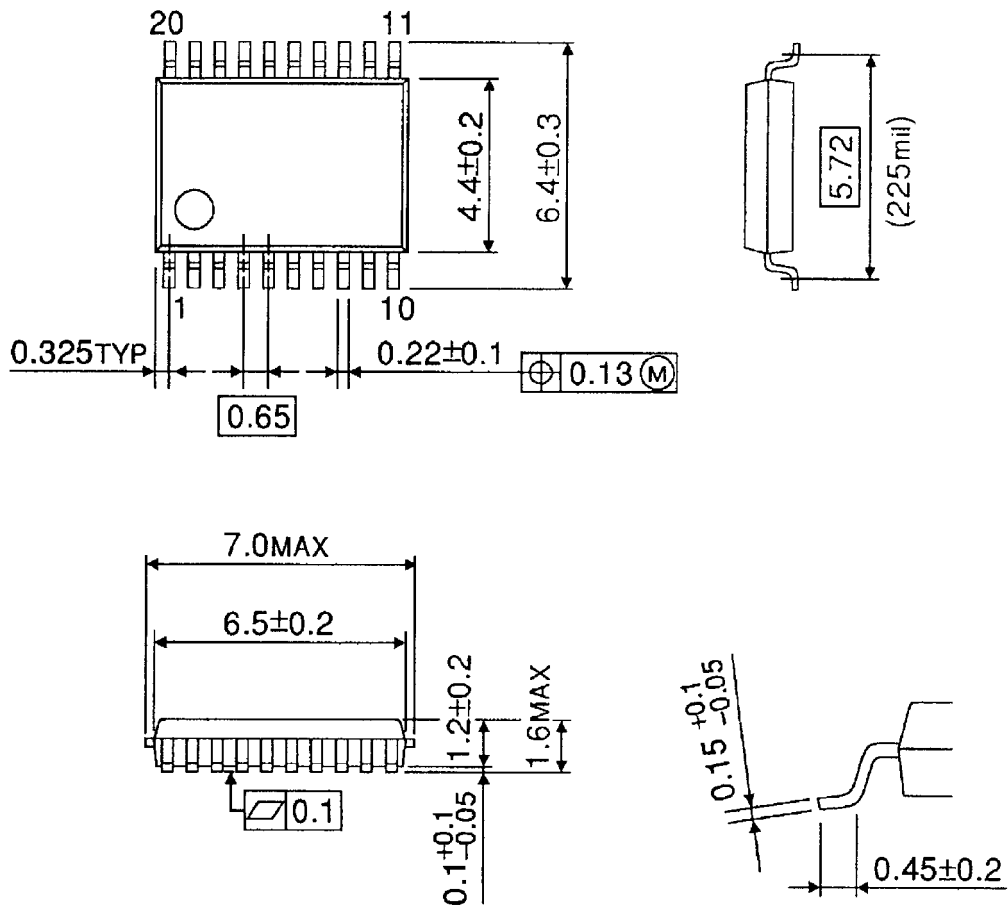
Install this IC correctly. If not, (e.g., installing it in the wrong position,) the IC may be damaged permanently.

Fuses should be connected to the power supply lines.

**Package Dimensions**

SSOP20-P-225-0.65A

Unit : mm



Weight: 0.09 g (typ.)

## Notes on Contents

### 1. Block Diagrams

Some of the functional blocks, circuits, or constants in the block diagram may be omitted or simplified for explanatory purposes.

### 2. Equivalent Circuits

The equivalent circuit diagrams may be simplified or some parts of them may be omitted for explanatory purposes.

### 3. Timing Charts

Timing charts may be simplified for explanatory purposes.

### 4. Application Circuits

The application circuits shown in this document are provided for reference purposes only. Thorough evaluation is required, especially at the mass production design stage.

Toshiba does not grant any license to any industrial property rights by providing these examples of application circuits.

### 5. Test Circuits

Components in the test circuits are used only to obtain and confirm the device characteristics. These components and circuits are not guaranteed to prevent malfunction or failure from occurring in the application equipment.

## IC Usage Considerations

### Notes on Handling of ICs

- (1) The absolute maximum ratings of a semiconductor device are a set of ratings that must not be exceeded, even for a moment. Do not exceed any of these ratings.  
Exceeding the rating(s) may cause the device breakdown, damage or deterioration, and may result injury by explosion or combustion.
- (2) Use an appropriate power supply fuse to ensure that a large current does not continuously flow in case of over current and/or IC failure. The IC will fully break down when used under conditions that exceed its absolute maximum ratings, when the wiring is routed improperly or when an abnormal pulse noise occurs from the wiring or load, causing a large current to continuously flow and the breakdown can lead smoke or ignition. To minimize the effects of the flow of a large current in case of breakdown, appropriate settings, such as fuse capacity, fusing time and insertion circuit location, are required.
- (3) If your design includes an inductive load such as a motor coil, incorporate a protection circuit into the design to prevent device malfunction or breakdown caused by the current resulting from the inrush current at power ON or the negative current resulting from the back electromotive force at power OFF. IC breakdown may cause injury, smoke or ignition.  
Use a stable power supply with ICs with built-in protection functions. If the power supply is unstable, the protection function may not operate, causing IC breakdown. IC breakdown may cause injury, smoke or ignition.
- (4) Do not insert devices in the wrong orientation or incorrectly.  
Make sure that the positive and negative terminals of power supplies are connected properly. Otherwise, the current or power consumption may exceed the absolute maximum rating, and exceeding the rating(s) may cause the device breakdown, damage or deterioration, and may result injury by explosion or combustion.  
In addition, do not use any device that is applied the current with inserting in the wrong orientation or incorrectly even just one time.

**Points to Remember on Handling of ICs**

- (1) **Thermal Shutdown Circuit**  
Thermal shutdown circuits do not necessarily protect ICs under all circumstances. If the thermal shutdown circuits operate against the over temperature, clear the heat generation status immediately. Depending on the method of use and usage conditions, such as exceeding absolute maximum ratings can cause the thermal shutdown circuit to not operate properly or IC breakdown before operation.
  
- (2) **Heat Radiation Design**  
In using an IC with large current flow such as power amp, regulator or driver, please design the device so that heat is appropriately radiated, not to exceed the specified junction temperature ( $T_j$ ) at any time and condition. These ICs generate heat even during normal use. An inadequate IC heat radiation design can lead to decrease in IC life, deterioration of IC characteristics or IC breakdown. In addition, please design the device taking into consideration the effect of IC heat radiation with peripheral components.
  
- (3) **Back-EMF**  
When a motor rotates in the reverse direction, stops or slows down abruptly, a current flow back to the motor's power supply due to the effect of back-EMF. If the current sink capability of the power supply is small, the device's motor power supply and output pins might be exposed to conditions beyond maximum ratings. To avoid this problem, take the effect of back-EMF into consideration in system design.

## RESTRICTIONS ON PRODUCT USE

- Toshiba Corporation, and its subsidiaries and affiliates (collectively "TOSHIBA"), reserve the right to make changes to the information in this document, and related hardware, software and systems (collectively "Product") without notice.
- This document and any information herein may not be reproduced without prior written permission from TOSHIBA. Even with TOSHIBA's written permission, reproduction is permissible only if reproduction is without alteration/omission.
- Though TOSHIBA works continually to improve Product's quality and reliability, Product can malfunction or fail. Customers are responsible for complying with safety standards and for providing adequate designs and safeguards for their hardware, software and systems which minimize risk and avoid situations in which a malfunction or failure of Product could cause loss of human life, bodily injury or damage to property, including data loss or corruption. Before customers use the Product, create designs including the Product, or incorporate the Product into their own applications, customers must also refer to and comply with (a) the latest versions of all relevant TOSHIBA information, including without limitation, this document, the specifications, the data sheets and application notes for Product and the precautions and conditions set forth in the "TOSHIBA Semiconductor Reliability Handbook" and (b) the instructions for the application with which the Product will be used with or for. Customers are solely responsible for all aspects of their own product design or applications, including but not limited to (a) determining the appropriateness of the use of this Product in such design or applications; (b) evaluating and determining the applicability of any information contained in this document, or in charts, diagrams, programs, algorithms, sample application circuits, or any other referenced documents; and (c) validating all operating parameters for such designs and applications. **TOSHIBA ASSUMES NO LIABILITY FOR CUSTOMERS' PRODUCT DESIGN OR APPLICATIONS.**
- **PRODUCT IS NEITHER INTENDED NOR WARRANTED FOR USE IN EQUIPMENTS OR SYSTEMS THAT REQUIRE EXTRAORDINARILY HIGH LEVELS OF QUALITY AND/OR RELIABILITY, AND/OR A MALFUNCTION OR FAILURE OF WHICH MAY CAUSE LOSS OF HUMAN LIFE, BODILY INJURY, SERIOUS PROPERTY DAMAGE AND/OR SERIOUS PUBLIC IMPACT ("UNINTENDED USE").** Except for specific applications as expressly stated in this document, Unintended Use includes, without limitation, equipment used in nuclear facilities, equipment used in the aerospace industry, medical equipment, equipment used for automobiles, trains, ships and other transportation, traffic signaling equipment, equipment used to control combustions or explosions, safety devices, elevators and escalators, devices related to electric power, and equipment used in finance-related fields. **IF YOU USE PRODUCT FOR UNINTENDED USE, TOSHIBA ASSUMES NO LIABILITY FOR PRODUCT.** For details, please contact your TOSHIBA sales representative.
- Do not disassemble, analyze, reverse-engineer, alter, modify, translate or copy Product, whether in whole or in part.
- Product shall not be used for or incorporated into any products or systems whose manufacture, use, or sale is prohibited under any applicable laws or regulations.
- The information contained herein is presented only as guidance for Product use. No responsibility is assumed by TOSHIBA for any infringement of patents or any other intellectual property rights of third parties that may result from the use of Product. No license to any intellectual property right is granted by this document, whether express or implied, by estoppel or otherwise.
- **ABSENT A WRITTEN SIGNED AGREEMENT, EXCEPT AS PROVIDED IN THE RELEVANT TERMS AND CONDITIONS OF SALE FOR PRODUCT, AND TO THE MAXIMUM EXTENT ALLOWABLE BY LAW, TOSHIBA (1) ASSUMES NO LIABILITY WHATSOEVER, INCLUDING WITHOUT LIMITATION, INDIRECT, CONSEQUENTIAL, SPECIAL, OR INCIDENTAL DAMAGES OR LOSS, INCLUDING WITHOUT LIMITATION, LOSS OF PROFITS, LOSS OF OPPORTUNITIES, BUSINESS INTERRUPTION AND LOSS OF DATA, AND (2) DISCLAIMS ANY AND ALL EXPRESS OR IMPLIED WARRANTIES AND CONDITIONS RELATED TO SALE, USE OF PRODUCT, OR INFORMATION, INCLUDING WARRANTIES OR CONDITIONS OF MERCHANTABILITY, FITNESS FOR A PARTICULAR PURPOSE, ACCURACY OF INFORMATION, OR NONINFRINGEMENT.**
- Do not use or otherwise make available Product or related software or technology for any military purposes, including without limitation, for the design, development, use, stockpiling or manufacturing of nuclear, chemical, or biological weapons or missile technology products (mass destruction weapons). Product and related software and technology may be controlled under the applicable export laws and regulations including, without limitation, the Japanese Foreign Exchange and Foreign Trade Law and the U.S. Export Administration Regulations. Export and re-export of Product or related software or technology are strictly prohibited except in compliance with all applicable export laws and regulations.
- Please contact your TOSHIBA sales representative for details as to environmental matters such as the RoHS compatibility of Product. Please use Product in compliance with all applicable laws and regulations that regulate the inclusion or use of controlled substances, including without limitation, the EU RoHS Directive. **TOSHIBA ASSUMES NO LIABILITY FOR DAMAGES OR LOSSES OCCURRING AS A RESULT OF NONCOMPLIANCE WITH APPLICABLE LAWS AND REGULATIONS.**