



Improved Performance 5x7mm TB / TVB Model Series

TCXO / VCTCXO

CONNOR WINFIELD



2111 Comprehensive Drive

Aurora, Illinois 60505

Phone: 630-851-4722

Fax: 630-851-5040

www.conwin.com

US Headquarters:

630-851-4722

European Headquarters:

+353-61-472221

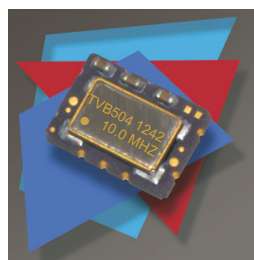
Description:

Connor-Winfield's TBxxx and TVBxxx series are 5x7mm TCXO and VCTCXO products with exceptional frequency stability and low phase noise.

Similar to our Txxx / TVxxx series, these devices are quieter, smoother over temperature and are available at higher frequencies.

Using the latest analog TCXO technology, the TBxxx and TVBxxx series have improved phase noise and frequency stability performance and are available in 4-pad or 10-pad surface mount footprints.

These products are designed for such applications as IEEE 1588 PTP and Synchronous Ethernet.



Features:

- Frequency Stabilities Available: ✓STRATUM 3
+/-0.28 ppm (10 to 50 MHz)
+/-0.50 ppm, +/-1.00 ppm or +/-2.00 ppm (10 to 100 MHz)
- Temperature Ranges Available:
0 to 85°C, 0 to 70°C, -40 to 85°C or -20 to 70°C
- Packages Available:
TB - Series: 5 x 7mm - 10 Pad
TVB - Series: 5 x 7mm - 4 Pad
- 3.3 Vdc Operation
- Output Logic: LVCMOS or Clipped Sinewave
- Fixed Frequency - TCXO
- Voltage Controlled - VCTCXO
- Low Jitter <0.50 ps RMS
- Low Phase Noise
- Tri-State Enable/Disable: (TB - Model Series Only)
- Tape and Reel Packaging
- RoHS Compliant / Lead Free ✓RoHS

Applications:

- IEEE 1588 Applications
- Synchronous Ethernet slave clocks, ITU-T G.8262 EEC options 1 & 2
- Compliant to Stratum 3, GR-1244-CORE & GR-253-CORE
- Wireless Communications
- Small Cells
- Test and Measurement
- GPS Applications

Standard Frequencies Available *

* 10, 12.8, 19.2, 19.44, 20, 25, 40, 50, 52, 54, 80 and 100 MHz
Available frequencies from the factory for small quantity orders or quick delivery.
Additional frequencies are available.

** Not all options available at Digi-Key

Ordering Information

TVB	5	0	4	- 010.0M
Type / Package TCXO / VCTCXO Series TB = 5.0x7.0 mm 10 Pads TVB = 5.0x7.0 mm 4 Pads	Temperature Range 3 = 0 to 85 °C 5 = 0 to 70 °C 6 = -40 to 85 °C 7 = -20 to 70 °C	Frequency Stability 0 = ±0.28 ppm 1 = ±0.50 ppm 2 = ±1.00 ppm 3 = ±2.00 ppm	Features 2 = TCXO, LVCMOS, 3.3 Vdc 3 = TCXO, Clipped Sinewave, 3.3 Vdc 4 = VCTCXO, LVCMOS, 3.3 Vdc 5 = VCTCXO, Clipped Sinewave, 3.3 Vdc 9 = VCTCXO, LVCMOS, 3.3V with reduced pull range	Output Frequency Frequency Format -xxx.xM Min* -xxx.xxxxxM Max* *Minimum of 1 digit after the decimal point, and Maximum of 6

Example: Part Number

TVB504-010.0M = 5x7mm 4 pad package, ±0.28 ppm, 0 to 70 °C, 3.3 Vdc, LVCMOS Output, VCTCXO
TB715-012.8M = 5x7mm 10 pad package, ±0.50 ppm, -20 to 70 °C, 3.3 Vdc, Clipped Sinewave Output, VCTCXO
TB522-050.0M = 5x7mm 10 pad package, ±1.0 ppm, 0 to 70 °C, 3.3 Vdc, LVCMOS Output, TCXO
TVB602-010.0M = 5x7mm 4 pad package, ±0.28 ppm, -40 to 85 °C, 3.3 Vdc, LVCMOS Output, TCXO





Absolute Maximum Ratings

Parameter	Minimum	Nominal	Maximum	Units	Notes
Storage Temperature	-55	-	95	°C	
Supply Voltage (Vcc)	-0.5	-	6.0	Vdc	
Input Voltage	-0.5	-	Vcc + 0.5	Vdc	

Operating Specifications

Parameter	Minimum	Nominal	Maximum	Units	Notes
Output Frequency (Fo)					
Models TBx0x, TVBx0x	10	-	50	MHz	
Models TBx1x, TVBx1x	10	-	100	MHz	
Models TBx2x, TVBx2x	10	-	100	MHz	
Models TBx3x, TVBx3x	10	-	100	MHz	
Operating Temperature Range	(See Ordering Information for full part number)				
Models TB3xx, TVB3xx	0	-	85	°C	
Models TB5xx, TVB5xx	0	-	70	°C	
Models TB6xx, TVB6xx	-40	-	85	°C	
Models TB7xx, TVB7xx	-20	-	70	°C	
Frequency Calibration @ 25 °C	-1.0	-	1.0	ppm	1
Frequency Stability (See Ordering Information for full part number) Per STRATUM 3 GR-1244-CORE	Frequency Stability ±0.28 ppm is only available in the frequency range of 10 to 50 MHz.				
Models TBx0x, TVBx0x	-0.28	-	0.28	ppm	2
Holdover Stability	-0.32	-	0.32	ppm	3
Constant Temperature Stability	-40	-	40	ppb	Over 24 Hrs.
Frequency Stability	(See Ordering Information for full part number)				
Models TBx1x, TVBx1x	-0.50	-	0.50	ppm	2
Models TBx2x, TVBx2x	-1.00	-	1.00	ppm	2
Models TBx3x, TVBx3x	-2.00	-	2.00	ppm	2
Frequency vs. Load Stability	-0.05	-	0.05	ppm	±5%
Frequency vs. Voltage Stability	-0.05	-	0.05	ppm	±5%
Static Temperature Hysteresis	-	-	0.40	ppm	4
Freq. shift after reflow soldering	-1.0	-	1.0	ppm	5
Long Term Stability	-1.0	-	1.0	ppm	6
Aging					
per Life (20 Years)	-3.0	-	3.0	ppm	
per Day	-40	-	40	ppb	
Total Frequency Tolerance	-4.6	-	4.6	ppm	7
Supply Voltage (Vcc)	3.135	3.30	3.465	Vdc	
Supply Current (Icc)					
LVCMOS (10 to 52 MHz)	-	2.1	6.0	mA	
LVCMOS (>52 to 100 MHz)	-	-	12	mA	
Clipped Sine (10 to 52 MHz)	-	1.3	2.9	mA	
Clipped Sine (>52 to 100 MHz)	-	-	12	mA	
Jitter:					
Period Jitter	-	3.0	5.0	ps RMS	
Integrated Phase Jitter (12K to Fo/2)	-	0.3	1.0	ps RMS	8
Allan Deviation (1s) Fo=10.0 MHz	-	1.0E-10	-		
Typical SSB Phase Noise					
For Fo	10.0 MHz	50.0 MHz	100.0 MHz		
@ 10 Hz offset	-98	-70	-60	dBc/Hz	
@ 100 Hz offset	-125	-100	-91	dBc/Hz	
@ 1 KHz offset	-143	-122	-119	dBc/Hz	
@ 10 KHz offset	-151	-145	-142	dBc/Hz	
@ 100 KHz offset	-152	-150	-153	dBc/Hz	
@ 1 MHz offset	-155	-152	-153	dBc/Hz	
Start-Up Time	-	-	10	ms	



Control Voltage Input Characteristics

Parameter	Minimum	Nominal	Maximum	Units	Notes
Control Voltage	0.3	1.65	3.0	V	
Frequency Pullability					
Pull Range Options 4 and 5:	±10	±12	-	ppm	
Pull Range Option 9:	±5	±6	±8	ppm	
Pull Slope (Vc=1.65V)					
Pull Range Options 4 and 5:	-	8.00	-	ppm/V	
Pull Range Option 9:	-	4.50	-	ppm/V	
Control Voltage Slope		Positive Slope			
Monotonic Linearity	-	-	5	%	
Input Impedance	100K	-	-	Ohm	
Modulation Bandwidth (3dB)	10	-	-	KHz	

OE Enable /Disable Input Characteristics (Pad 8) TB Series only

Parameter	Minimum	Nominal	Maximum	Units	Notes
Enable Voltage (High)	70%Vcc	-	-	Vdc	9
Disable Voltage (Low)	-	-	30%Vcc	Vdc	9
Function	Output				
Low:	Disabled (High Impedance)				
High or Open:	Enabled				

LVC MOS Output Characteristics

Parameter	Minimum	Nominal	Maximum	Units	Notes
Load (CL)	-	15	-	pF	10
Voltage (High) (Voh)	90%Vcc	-	-	Vdc	
(Low) (Vol)	-	-	10%Vcc	Vdc	
Current (High) (Ioh)	-4	-	-	mA	
(Low) (Iol)	-	-	4	mA	
Duty Cycle at 50% of Vcc	45	50	55	%	
Rise / Fall Time 10% to 90%	-	4	8	ns	

Clipped Sinewave Output Characteristics

Parameter	Minimum	Nominal	Maximum	Units	Notes
Load (RC)					11
Output Load Resistance	-	10K	-	Ohm	12
Output Load Capacitance	-	10	-	pF	
Output Voltage (< 40 MHz)	1.0	1.2	-	V	pk-pk
Output Voltage (>= 40 MHz)	0.8	1.0	-	V	pk-pk
Output Impedance	-	200	-	Ohms	

Package Characteristics

Package	Hermetically sealed ceramic package with grounded metal cover
---------	---------------------------------------------------------------

Environmental Characteristics

Vibration:	Vibration per Mil Std 883E Method 2007.3 Test Condition A.
Shock:	Mechanical Shock per Mil Std 883E Method 2002.4 Test Condition B.
Soldering Process:	RoHS compliant lead free. See soldering profile on page 6.

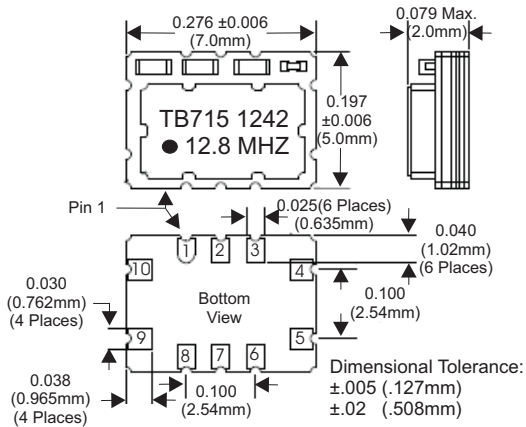
Notes:

- Initial calibration @ 25°C. ±2°C, for VCTCXO's Vc = 1.65V. Specifications at time of shipment
- Frequency stability vs. change in temperature. $\pm(F_{max}-F_{min})/(2^{\circ}Fo)$. For VCTCXO, Vc = 1.65Vdc
- Inclusive of frequency stability, supply voltage change (±1%), aging, for 24 hours. Per STRATUM 3 GR-1244-CORE.
- Frequency change after reciprocal temperature ramped over the operating range. Frequency measured before and after at 25°C
- Two consecutive solder reflows after 1 hour recovery @ 25°C.
- Frequency drift over 1 year @ 25°C.
- Inclusive of calibration @ 25°C, frequency vs. change in temperature, change in supply voltage (±5%), load change (±5%), reflow soldering process and 20 years aging.
- For Fo<40MHz, BW=12kHz to Fo/2, for Fo>40MHz, BW=12kHz to 20MHz
- Output is active with Pad 8 not connected. Leave Pad 8 open if disable function is not required. When disabled, output stage is off but oscillator and compensation circuits are still powered (current consumption <2 mA)
- Attention: To achieve optimal frequency stability, and in some cases to meet the specification stated on this data sheet, it is required that the circuit connected to this TCXO output must have the equivalent input capacitance that is specified by the nominal load capacitance. Deviations from the nominal load capacitance will have a graduated effect on the stability of approximately 20 ppb per pF load difference.
- Load components are required for proper operation of the device.
- Output is AC coupled.

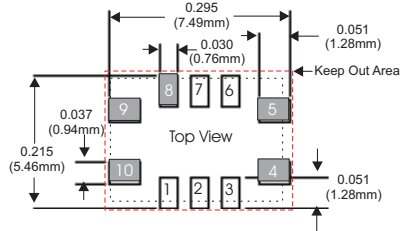
Bulletin	Tx380
Page	3 of 6
Revision	09
Date	15 Sept 2016



TB Series Package Outline



TB Series Suggested Pad Layout

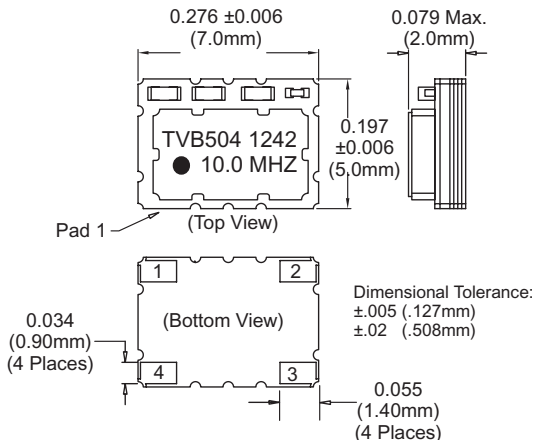


* Do not route any traces in the keep out area. It is recommended the next layer under the keep out area is to be ground plane.

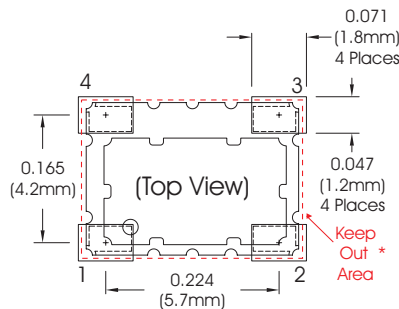
TB Series Pad Connections

- 1: Do Not Connect
- 2: Do Not Connect
- 3: Do Not Connect
- 4: Ground
- 5: Output
- 6: Do Not Connect
- 7: Do Not Connect
- 8: Enable / Disable (OE)
- 9: Supply Voltage (Vcc)
- 10: VCTCXO: Control Voltage (Vc)
TCXO: N/C

TVB Series Package Outline



TVB Series Suggested Pad Layout

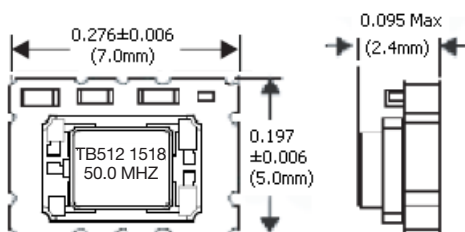


* Do not route any traces in the keep out area. It is recommended the next layer under the keep out area is to be ground plane.

TVB Series Pad Connections

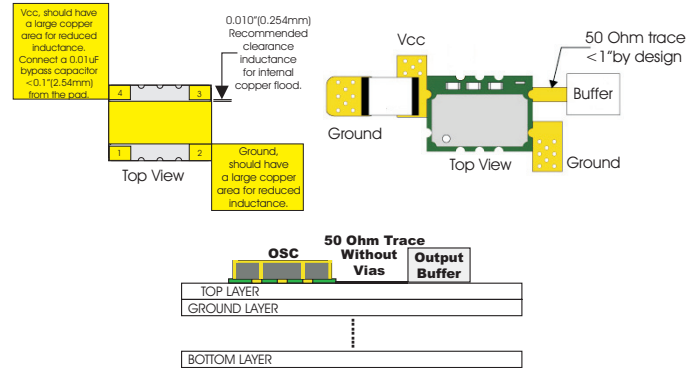
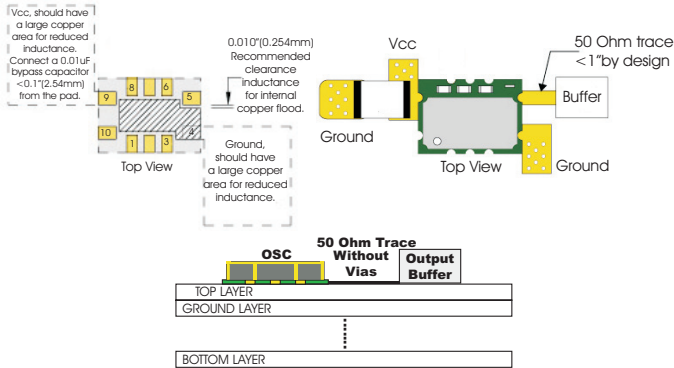
- 1: VCTCXO: Voltage Control (Vc)
TCXO: N/C
- 2: Ground
- 3: Output
- 4: Supply (Vcc)

Alternate TB/TVB Package Height for select frequencies in the 38 to 52MHz frequency range



TB Series Design Recommendations

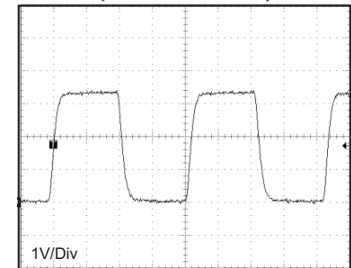
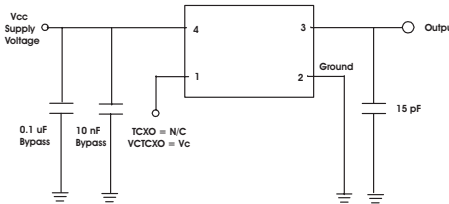
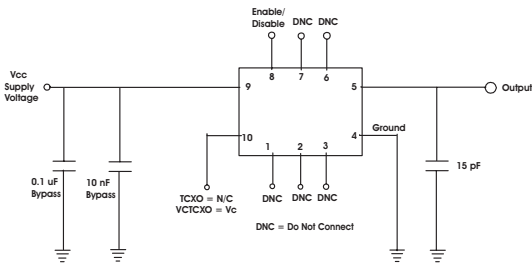
TVB Series Design Recommendations



TB Series LVC MOS Test Circuit

TVB Series LVC MOS Test Circuit

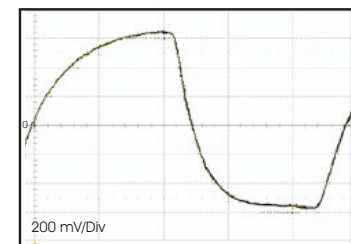
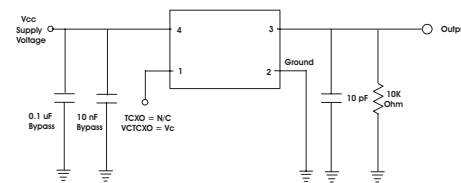
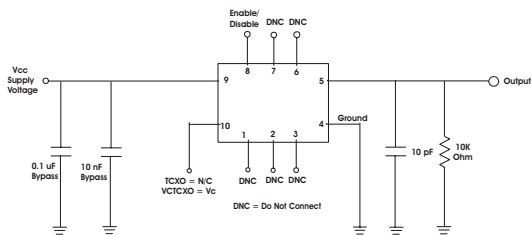
LVC MOS Output Waveform



TB Series Clipped Sinewave Test Circuit

TVB Series Clipped Sinewave Test Circuit

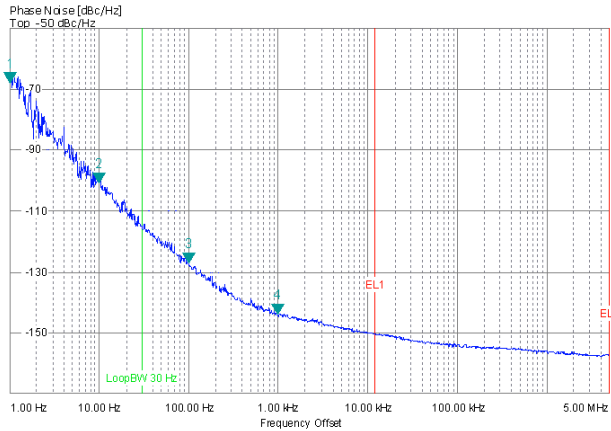
Clipped Sinewave Output Waveform



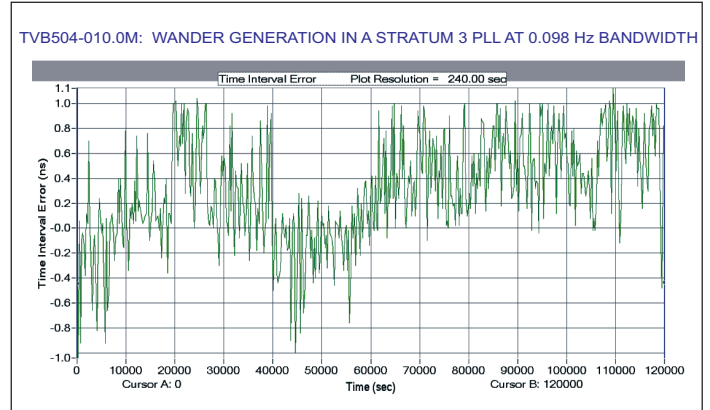
Note: The clipped sinewave output is AC coupled

Bulletin	Tx380
Page	5 of 6
Revision	09
Date	15 Sept 2016

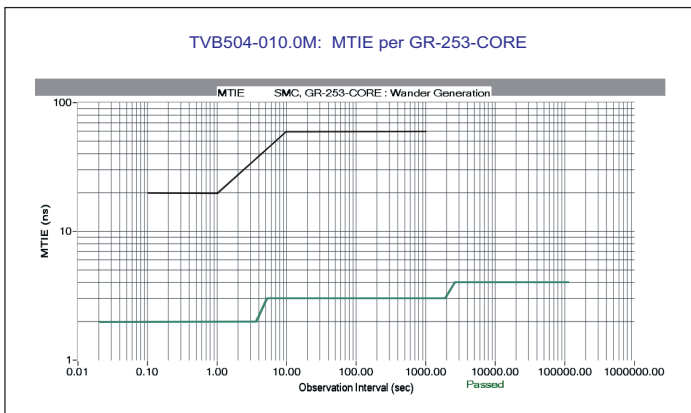
Typical Phase Noise Fo=10MHz



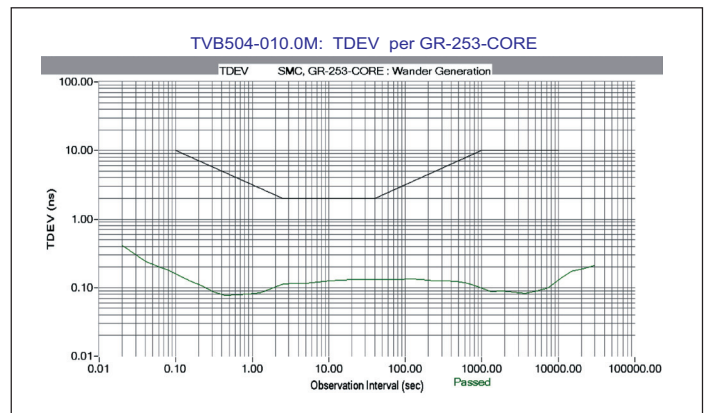
TIE



MTIE

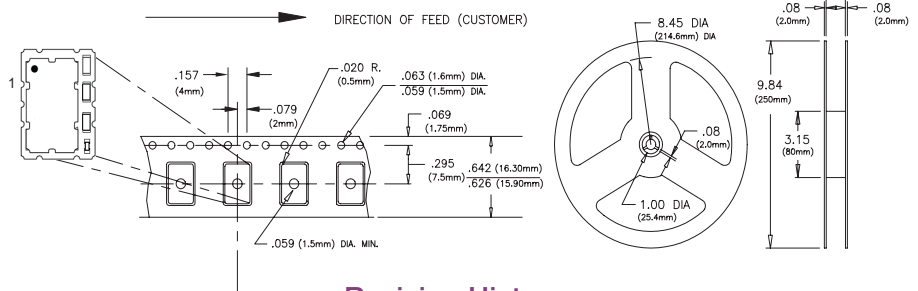


TDEV

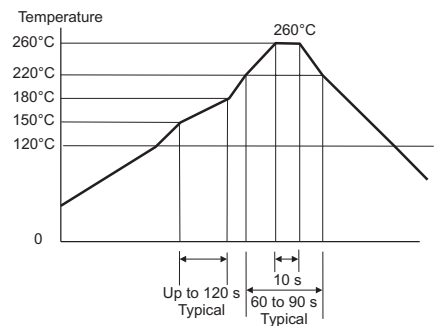


5x7mm Tape and Reel Information

MEETS EIA-481A AND EIAJ-1009B
 2000 PCS/REEL MAXIMUM



Solder Profile



Meets IPC/JEDEC J-STD-020C

Revision History

Revision	Date	Description
00	10/23/12	Data sheet released 10/23/12
01	11/12/12	Added Digi-Key
02	02/25/13	Increased frequency range to 100 MHz
03	12/04/13	Updated available Frequencies
04	02/07/14	Removed note from Output Freq
05	02/11/14	Updated specifications
06	04/29/15	Added Additional Package Height for Select Frequencies
07	10/20/15	Updated Allan Deviation specification
08	09/07/16	Updated Phase Noise Plot and Control Voltage Specs
09	09/15/16	Updated Ordering Information