

Multi-standard advanced dual demodulator for satellite digital TV broadcast set-top boxes

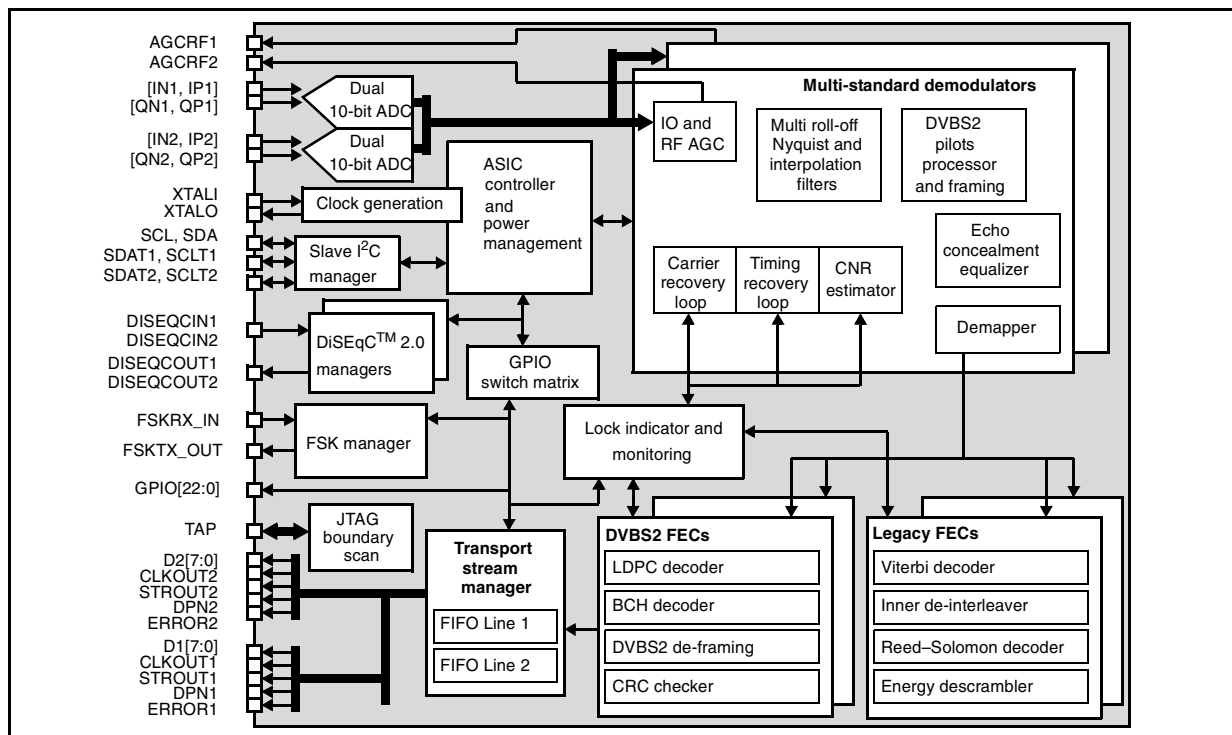
Data brief

Features

- Dual multi-standard demodulation for broadcast applications
 - DVBS2 QPSK, 8PSK, CCM, VCM
 - Legacy DVBS and DirecTV™ QPSK with SuperFEC™ for enhanced reception
 - Multi-tap equalizer for RF reflection removal
 - Wide range carrier frequency tracking loop for offset recovery
- Advanced version for DVBS2 16APSK, 32APSK, low QPSK code rates and ACM
- Dual multi-standard decoding
 - DVBS2 FEC and framing
 - Up to 270 Mbit/s channel bit rate
 - DVBS or DirecTV™ legacy
- Interfaces
 - Dual data to MPEG decoder
- DVB common interface compliant
- I²C serial bus interface, including two private repeaters for tuners
- JTAG interface for boundary scan
- 2 DiSEqC 2.x 22-kHz interfaces
- FSK interface
- Flexible GPIOs and interrupts
- Bit error rate monitoring and reporting
- Technology
 - Multi supply: 1.1-V core, 2.5-V analog, 3.3-V digital interfaces
 - Fine-grained power management
 - LFBGA-168 12x12 mm² package, RoHS

Description

The STV0910 is a cost effective, high-performance dual demodulator/decoder for advanced DVB satellite reception.



Overview

The STV0910 features a high-speed DVBS2 forward error corrector (FEC) which is designed to handle up to 270 channel-Mbits/s at its input. To feed the FEC the STV0910 implements two identical demodulators, each capable of handling QPSK legacy and DVBS2 modulation for satellite broadcast services.

The STV0910 integrates all the features needed to provide a low cost dual broadcast satellite receiver solution including: integrated crystal oscillator, dual DiSEqC controller, dual tuner I²C repeater, FSK modem, ancillary DACs and ADCs and many unattributed general purpose input output ports for peripheral control.

Advanced power saving features have been implemented, the LDPC stops once the solution is sufficiently converged and the various blocks of the IC (demodulator, LDPC, Legacy FEC, and so on) may be completely shut down if not required.

Features copied from 0913	Benefits
Multi-standard dual demodulation and decoding.	Allows an advanced, high-end set-top box or receiver to be compatible with multiple markets and legacy installations and so assists migration to the advanced services.
SuperFEC™	For enhanced legacy QPSK performance.
Multi-tap equalizer.	Improves reception in poor RF group-delay and reflection conditions (narrow transponders, SMATV installations, poor connectors, unterminated branched cables).
DVB common interface compliant.	Allows interface to DVB-CI+ module for decoding encrypted content.
I ² C serial bus interface, including private repeater for tuner.	Private repeater isolates the (sensitive) RF tuner from potential digital noise from the host processor.
Fine-grained power management.	Allows power to be reduced according to usage and standby strategy.
Best-in-class, low-power standby mode.	To meet emerging energy standards for STBs.
Integrated DiSEqC 2.x 22-kHz and FSK interfaces.	Reduces BoM cost whilst maintaining flexibility in antenna control.
JTAG interface for boundary scan.	Allows simple and thorough board testing in production.

Revision history

Table 1. Document revision history

Date	Revision	Changes
12-Dec-2012	1	Initial release.

Please Read Carefully:

Information in this document is provided solely in connection with ST products. STMicroelectronics NV and its subsidiaries ("ST") reserve the right to make changes, corrections, modifications or improvements, to this document, and the products and services described herein at any time, without notice.

All ST products are sold pursuant to ST's terms and conditions of sale.

Purchasers are solely responsible for the choice, selection and use of the ST products and services described herein, and ST assumes no liability whatsoever relating to the choice, selection or use of the ST products and services described herein.

No license, express or implied, by estoppel or otherwise, to any intellectual property rights is granted under this document. If any part of this document refers to any third party products or services it shall not be deemed a license grant by ST for the use of such third party products or services, or any intellectual property contained therein or considered as a warranty covering the use in any manner whatsoever of such third party products or services or any intellectual property contained therein.

UNLESS OTHERWISE SET FORTH IN ST'S TERMS AND CONDITIONS OF SALE ST DISCLAIMS ANY EXPRESS OR IMPLIED WARRANTY WITH RESPECT TO THE USE AND/OR SALE OF ST PRODUCTS INCLUDING WITHOUT LIMITATION IMPLIED WARRANTIES OF MERCHANTABILITY, FITNESS FOR A PARTICULAR PURPOSE (AND THEIR EQUIVALENTS UNDER THE LAWS OF ANY JURISDICTION), OR INFRINGEMENT OF ANY PATENT, COPYRIGHT OR OTHER INTELLECTUAL PROPERTY RIGHT.

UNLESS EXPRESSLY APPROVED IN WRITING BY TWO AUTHORIZED ST REPRESENTATIVES, ST PRODUCTS ARE NOT RECOMMENDED, AUTHORIZED OR WARRANTED FOR USE IN MILITARY, AIR CRAFT, SPACE, LIFE SAVING, OR LIFE SUSTAINING APPLICATIONS, NOR IN PRODUCTS OR SYSTEMS WHERE FAILURE OR MALFUNCTION MAY RESULT IN PERSONAL INJURY, DEATH, OR SEVERE PROPERTY OR ENVIRONMENTAL DAMAGE. ST PRODUCTS WHICH ARE NOT SPECIFIED AS "AUTOMOTIVE GRADE" MAY ONLY BE USED IN AUTOMOTIVE APPLICATIONS AT USER'S OWN RISK.

Resale of ST products with provisions different from the statements and/or technical features set forth in this document shall immediately void any warranty granted by ST for the ST product or service described herein and shall not create or extend in any manner whatsoever, any liability of ST.

ST and the ST logo are trademarks or registered trademarks of ST in various countries.

Information in this document supersedes and replaces all information previously supplied.

The ST logo is a registered trademark of STMicroelectronics. All other names are the property of their respective owners.

© 2012 STMicroelectronics - All rights reserved

STMicroelectronics group of companies

Australia - Belgium - Brazil - Canada - China - Czech Republic - Finland - France - Germany - Hong Kong - India - Israel - Italy - Japan - Malaysia - Malta - Morocco - Philippines - Singapore - Spain - Sweden - Switzerland - United Kingdom - United States of America

www.st.com