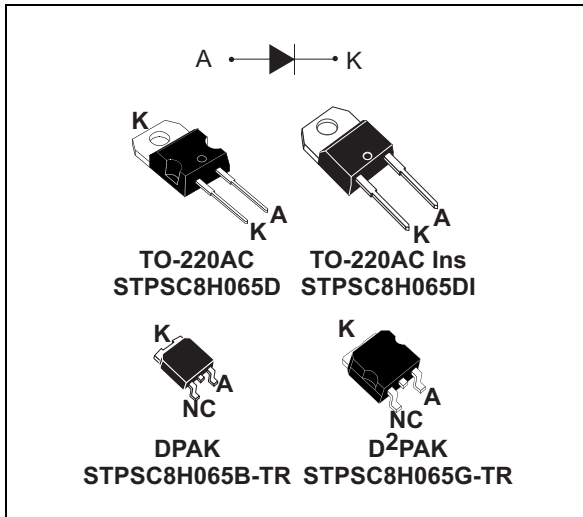


## 650 V power Schottky silicon carbide diode

Datasheet – production data



### Description

The SiC diode is an ultrahigh performance power Schottky diode. It is manufactured using a silicon carbide substrate. The wide band gap material allows the design of a Schottky diode structure with a 650 V rating. Due to the Schottky construction, no recovery is shown at turn-off and ringing patterns are negligible. The minimal capacitive turn-off behavior is independent of temperature.

Especially suited for use in PFC applications, this ST SiC diode will boost the performance in hard switching conditions. Its high forward surge capability ensures a good robustness during transient phases.

### Features

- No reverse recovery charge in application current range
- Switching behavior independent of temperature
- High forward surge capability
- Insulated package TO-220AC Ins:
  - Insulated voltage: 2500 V rms
  - Typical package capacitance: 7 pF

Table 1. Device summary

| Symbol      | Value  |
|-------------|--------|
| $I_{F(AV)}$ | 8 A    |
| $V_{RRM}$   | 650 V  |
| $T_j$ (max) | 175 °C |

# 1 Characteristics

**Table 2. Absolute ratings (limiting values at 25 °C unless otherwise specified)**

| Symbol              | Parameter                                     |   | Value       | Unit |
|---------------------|---|---|-------------|------|
| V <sub>RRM</sub>    | Repetitive peak reverse voltage               |   | 650         | V    |
| I <sub>F(RMS)</sub> | Forward rms current                           |   | 22          | A    |
| I <sub>F(AV)</sub>  | Average forward current                       | TO-220AC, DPAK, D <sup>2</sup> PAK, T <sub>c</sub> = 140 °C <sup>(1)</sup> , DC                               | 8           | A    |
|                     |   | TO-220AC Ins, T <sub>c</sub> = 95 °C <sup>(1)</sup> , DC  |             |      |
| I <sub>FSM</sub>    | Surge non repetitive forward current          | t <sub>p</sub> = 10 ms sinusoidal, T <sub>c</sub> = 25 °C   | 75          | A    |
|                     |   | t <sub>p</sub> = 10 ms sinusoidal, T <sub>c</sub> = 125 °C  | 69          |      |
|                     |   | t <sub>p</sub> = 10 μs square, T <sub>c</sub> = 25 °C   | 420         |      |
| I <sub>FRM</sub>    | Repetitive peak forward current               | TO-220AC, DPAK, D <sup>2</sup> PAK, T <sub>c</sub> = 140 °C <sup>(1)</sup> , T <sub>j</sub> = 175 °C, δ = 0.1 | 33          | A    |
|                     |   | TO-220AC Ins, T <sub>c</sub> = 95 °C <sup>(1)</sup> , T <sub>j</sub> = 175 °C, δ = 0.1                        |             |      |
| T <sub>stg</sub>    | Storage temperature range                     |   | -55 to +175 | °C   |
| T <sub>j</sub>      | Operating junction temperature <sup>(2)</sup> |   | -40 to +175 | °C   |

- Value based on R<sub>th(j-c)</sub> max.
- $\frac{dP_{tot}}{dT_j} < \frac{1}{R_{th(j-a)}}$  condition to avoid thermal runaway for a diode on its own heatsink

**Table 3. Thermal resistance**

| Symbol               | Parameter        |                                    | Typ. value | Max. value | Unit |
|----------------------|------------------|------------------------------------|------------|------------|------|
| R <sub>th(j-c)</sub> | Junction to case | TO-220AC, DPAK, D <sup>2</sup> PAK | 1.3        | 1.6        | °C/W |
|                      |                  | TO-220AC Ins                       | 2.45       | 3.8        |      |

**Table 4. Static electrical characteristics**

| Symbol                        | Parameter               | Tests conditions        |                                   | Min. | Typ. | Max. | Unit |
|-------------------------------|-------------------------|-------------------------|-----------------------------------|------|------|------|------|
| I <sub>R</sub> <sup>(1)</sup> | Reverse leakage current | T <sub>j</sub> = 25 °C  | V <sub>R</sub> = V <sub>RRM</sub> | -    | 7    | 80   | μA   |
|                               |                         | T <sub>j</sub> = 150 °C |                                   | -    | 65   | 335  |      |
| V <sub>F</sub> <sup>(2)</sup> | Forward voltage drop    | T <sub>j</sub> = 25 °C  | I <sub>F</sub> = 8 A              | -    | 1.56 | 1.75 | V    |
|                               |                         | T <sub>j</sub> = 150 °C |                                   | -    | 1.98 | 2.5  |      |

- t<sub>p</sub> = 10 ms, δ < 2%
- t<sub>p</sub> = 500 μs, δ < 2%

To evaluate the conduction losses use the following equation:  $P = 1.35 \times I_{F(AV)} + 0.144 \times I_{F(RMS)}^2$

Table 5. Dynamic electrical characteristics

| Symbol         | Parameter               | Test conditions  | Typ. | Unit |
|----------------|-------------------------|--|------|------|
| $Q_{cj}^{(1)}$ | Total capacitive charge | $V_R = 400\text{ V}$   | 23.5 | nC   |
| $C_j$          | Total capacitance       | $V_R = 0\text{ V}, T_C = 25\text{ }^\circ\text{C}, F = 1\text{ MHz}$   | 414  | pF   |
|                |                         | $V_R = 400\text{ V}, T_C = 25\text{ }^\circ\text{C}, F = 1\text{ MHz}$ | 38   |      |

1. Most accurate value for the capacitive charge:  $Q_{cj} = \int_0^{V_{OUT}} c_j(V_R).dv_R$

Figure 1. Forward voltage drop versus forward current (typical values, low level)

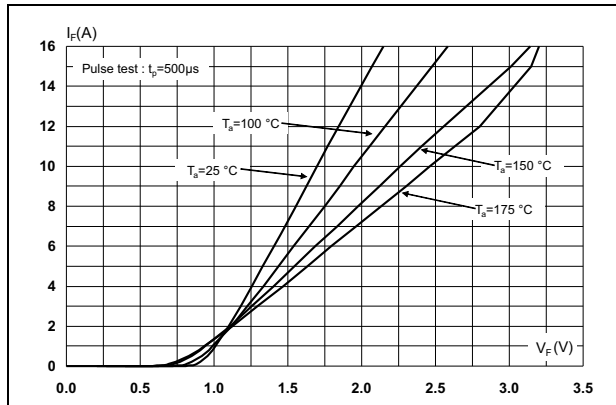


Figure 2. Forward voltage drop versus forward current (typical values, high level)

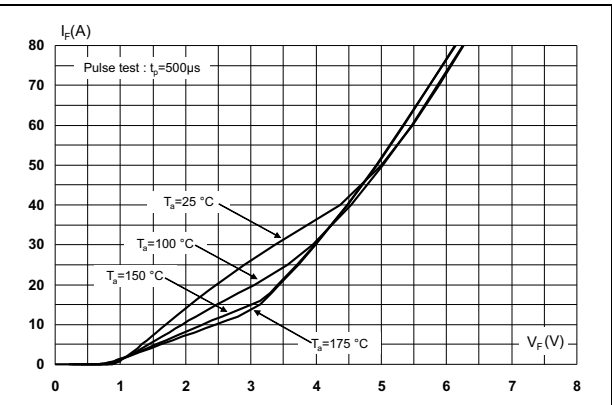


Figure 3. Reverse leakage current versus reverse voltage applied (typical values)

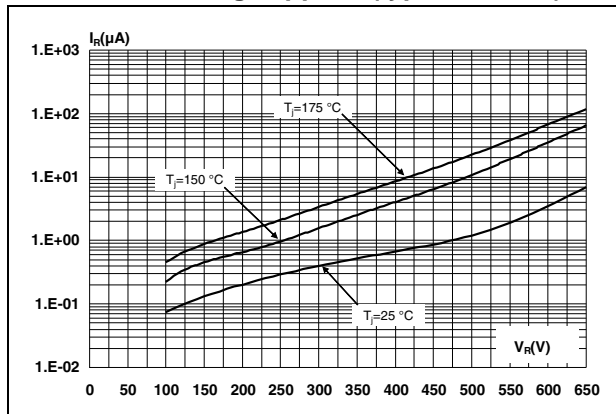


Figure 4. Peak forward current versus case temperature (TO-220AC, DPAK, D<sup>2</sup>PAK)

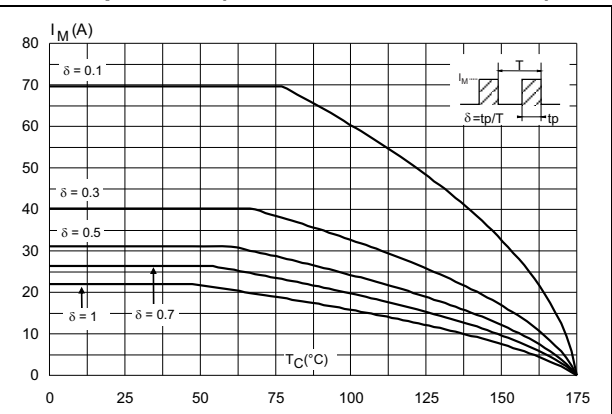


Figure 5. Peak forward current versus case temperature (TO-220AC Ins)

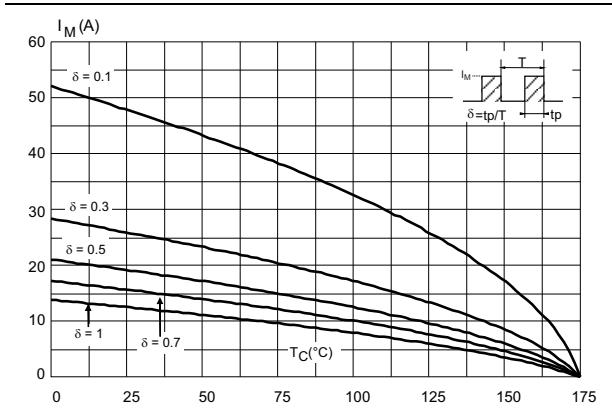


Figure 6. Junction capacitance versus reverse voltage applied (typical values)

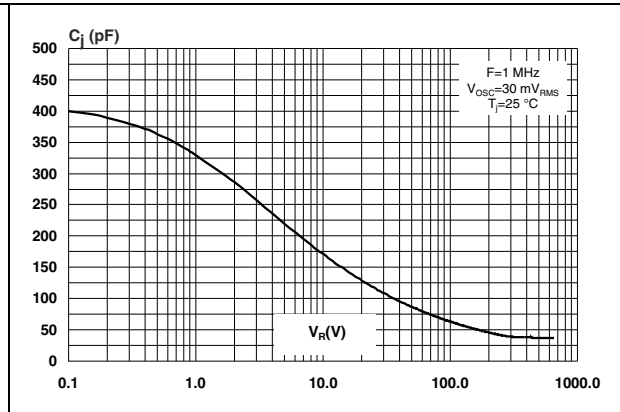


Figure 7. Relative variation of thermal impedance junction to case versus pulse duration (TO-220AC, DPAK, D<sup>2</sup>PAK)

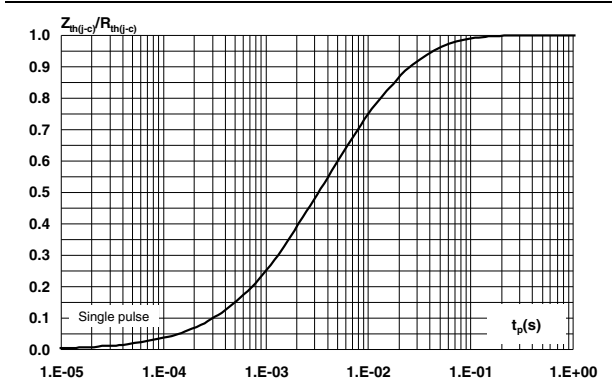


Figure 8. Relative variation of thermal impedance junction to case versus pulse duration (TO-220AC Ins)

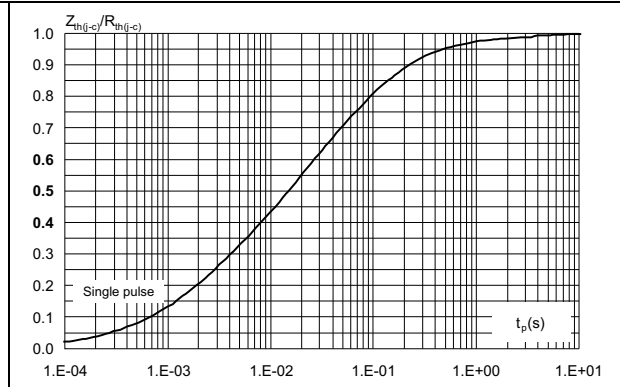


Figure 9. Non-repetitive peak surge forward current versus pulse duration (sinusoidal waveform)

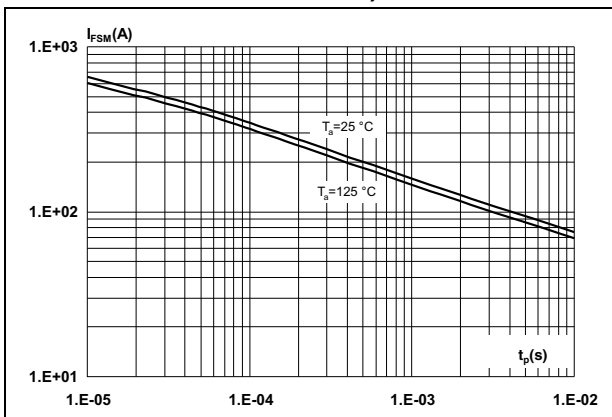
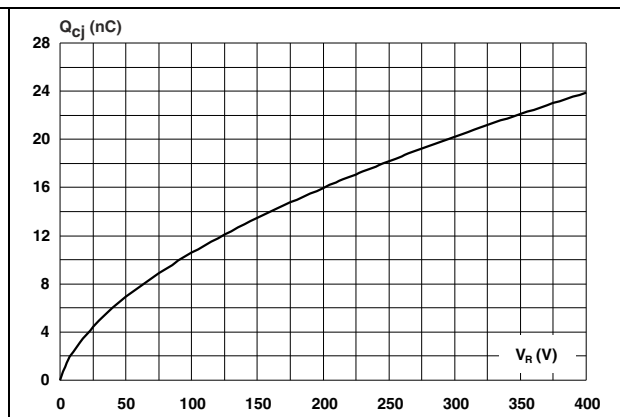


Figure 10. Total capacitive charges versus reverse voltage applied (typical values)



## 2 Package information

- Epoxy meets UL94, V0
- Recommended torque value (TO-220AC and TO-220AC Ins): 0.4 to 0.6 N·m
- Cooling method: conduction (C)

In order to meet environmental requirements, ST offers these devices in different grades of ECOPACK® packages, depending on their level of environmental compliance. ECOPACK® specifications, grade definitions and product status are available at: [www.st.com](http://www.st.com). ECOPACK® is an ST trademark.

Figure 11. TO-220AC dimension definitions

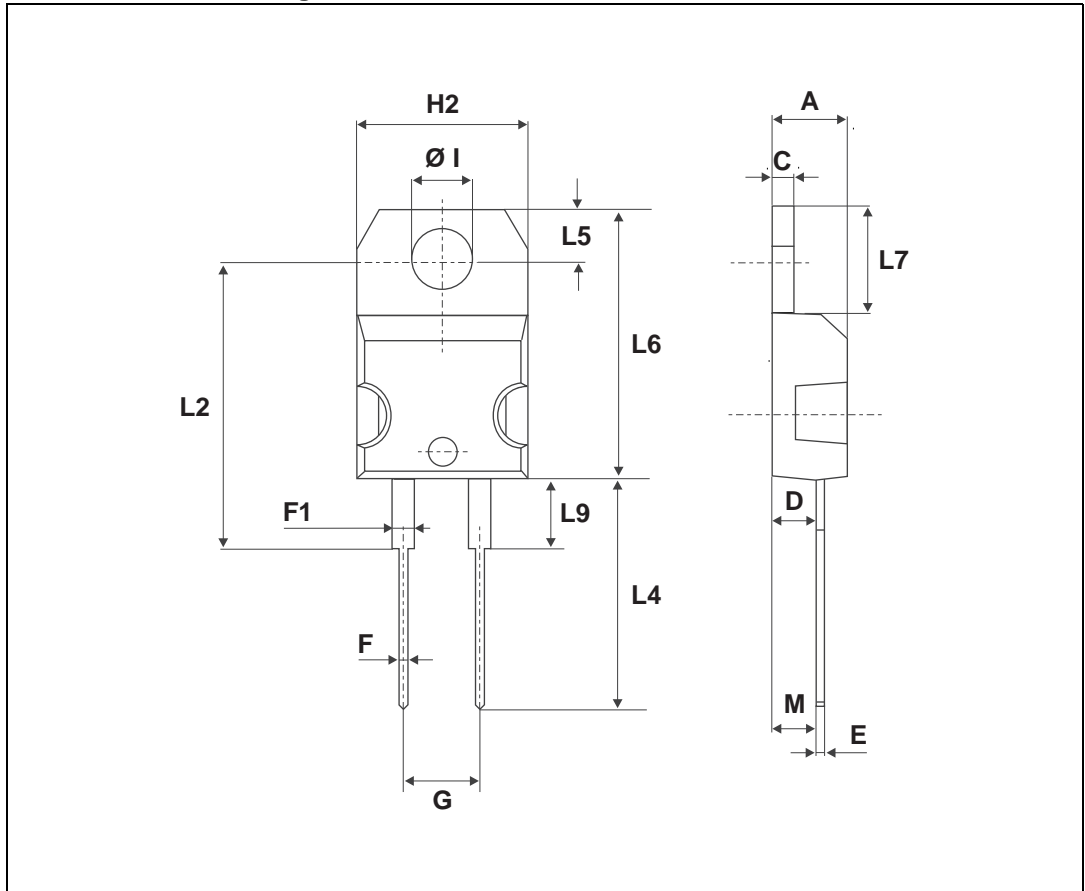


Table 6. TO-220AC dimension values

| Ref.    | Dimensions  |       |            |       |
|---------|-------------|-------|------------|-------|
|         | Millimeters |       | Inches     |       |
|         | Min.        | Max.  | Min.       | Max.  |
| A       | 4.40        | 4.60  | 0.173      | 0.181 |
| C       | 1.23        | 1.32  | 0.048      | 0.051 |
| D       | 2.40        | 2.72  | 0.094      | 0.107 |
| E       | 0.49        | 0.70  | 0.019      | 0.027 |
| F       | 0.61        | 0.88  | 0.024      | 0.034 |
| F1      | 1.14        | 1.70  | 0.044      | 0.066 |
| G       | 4.95        | 5.15  | 0.194      | 0.202 |
| H2      | 10.00       | 10.40 | 0.393      | 0.409 |
| L2      | 16.40 typ.  |       | 0.645 typ. |       |
| L4      | 13.00       | 14.00 | 0.511      | 0.551 |
| L5      | 2.65        | 2.95  | 0.104      | 0.116 |
| L6      | 15.25       | 15.75 | 0.600      | 0.620 |
| L7      | 6.20        | 6.60  | 0.244      | 0.259 |
| L9      | 3.50        | 3.93  | 0.137      | 0.154 |
| M       | 2.6 typ.    |       | 0.102 typ. |       |
| Diam. I | 3.75        | 3.85  | 0.147      | 0.151 |

Figure 12. TO-220AC Ins dimension definitions

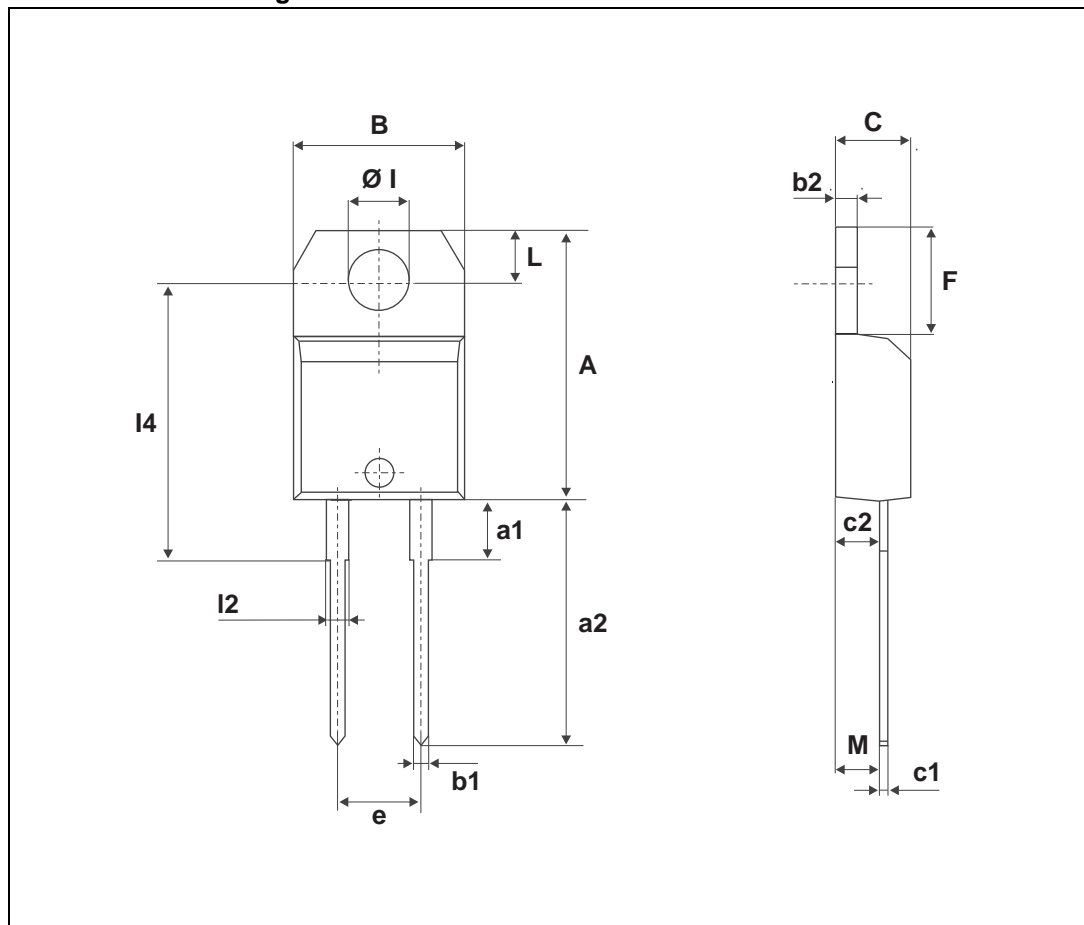


Table 7. TO-220AC Ins dimension values

| Ref. | Dimensions  |       |       |        |       |       |
|------|-------------|-------|-------|--------|-------|-------|
|      | Millimeters |       |       | Inches |       |       |
|      | Min.        | Typ.  | Max.  | Min.   | Typ.  | Max.  |
| A    | 15.20       |       | 15.90 | 0.598  |       | 0.625 |
| a1   |             | 3.75  |       |        | 0.147 |       |
| a2   | 13.00       |       | 14.00 | 0.511  |       | 0.551 |
| B    | 10.00       |       | 10.40 | 0.393  |       | 0.409 |
| b1   | 0.61        |       | 0.88  | 0.024  |       | 0.034 |
| b2   | 1.23        |       | 1.32  | 0.048  |       | 0.051 |
| C    | 4.40        |       | 4.60  | 0.173  |       | 0.181 |
| c1   | 0.49        |       | 0.70  | 0.019  |       | 0.027 |
| c2   | 2.40        |       | 2.72  | 0.094  |       | 0.107 |
| e    | 4.80        |       | 5.40  | 0.189  |       | 0.212 |
| F    | 6.20        |       | 6.60  | 0.244  |       | 0.259 |
| ØI   | 3.75        |       | 3.85  | 0.147  |       | 0.151 |
| I4   | 15.80       | 16.40 | 16.80 | 0.622  | 0.646 | 0.661 |
| L    | 2.65        |       | 2.95  | 0.104  |       | 0.116 |
| I2   | 1.14        |       | 1.70  | 0.044  |       | 0.066 |
| M    |             | 2.60  |       |        | 0.102 |       |



Figure 13. DPAK dimension definitions

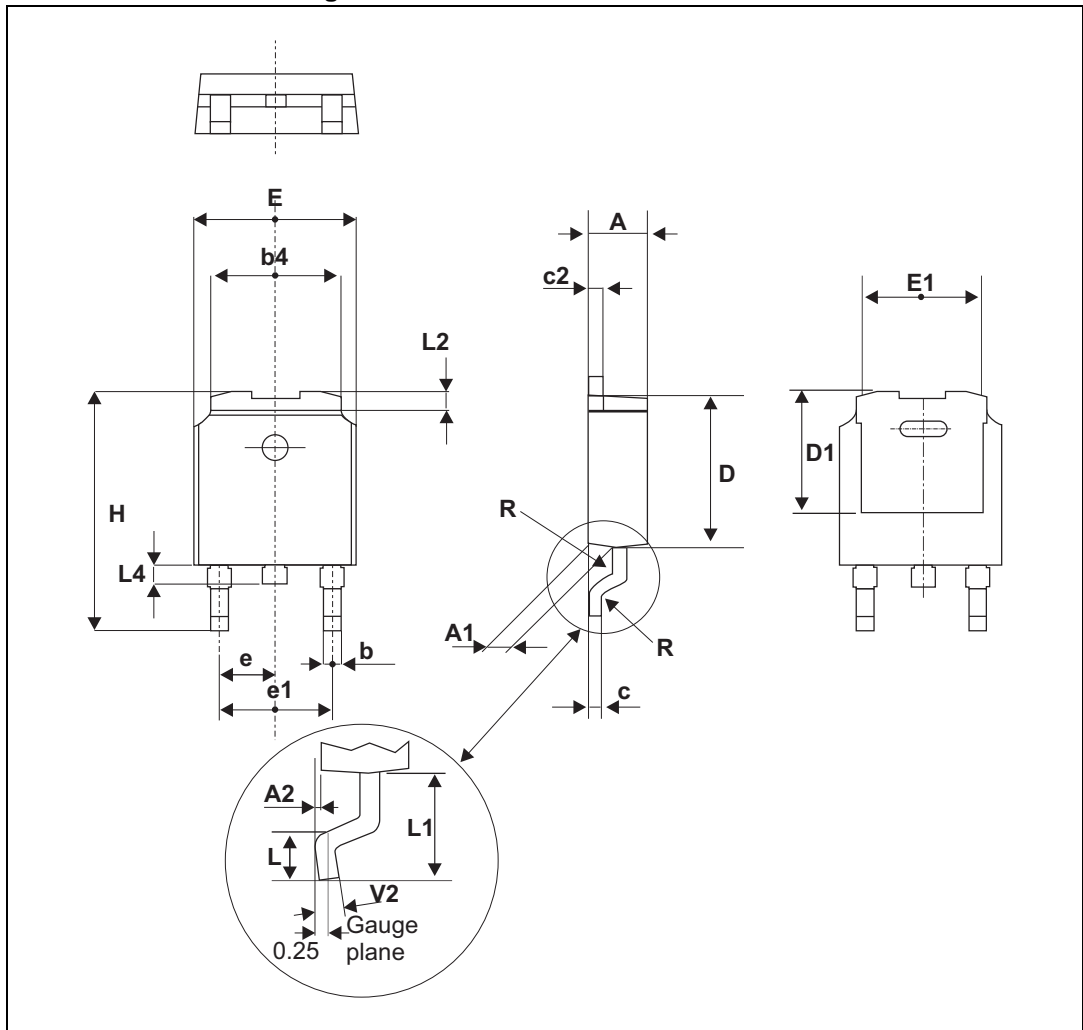


Table 8. DPAK dimension values

| Ref. | Dimensions  |      |       |        |       |       |
|------|-------------|------|-------|--------|-------|-------|
|      | Millimeters |      |       | Inches |       |       |
|      | Min.        | Typ. | Max.  | Min.   | Typ.  | Max.  |
| A    | 2.20        |      | 2.40  | 0.086  |       | 0.094 |
| A1   | 0.90        |      | 1.10  | 0.035  |       | 0.043 |
| A2   | 0.03        |      | 0.23  | 0.001  |       | 0.009 |
| b    | 0.64        |      | 0.90  | 0.025  |       | 0.035 |
| b4   | 5.20        |      | 5.40  | 0.204  |       | 0.212 |
| c    | 0.45        |      | 0.60  | 0.017  |       | 0.023 |
| c2   | 0.48        |      | 0.60  | 0.018  |       | 0.023 |
| D    | 6.00        |      | 6.20  | 0.236  |       | 0.244 |
| D1   |             | 5.10 |       |        | 0.201 |       |
| E    | 6.40        |      | 6.60  | 0.251  |       | 0.259 |
| E1   |             | 4.70 |       |        | 0.185 |       |
| e    |             | 2.28 |       |        | 0.090 |       |
| e1   | 4.40        |      | 4.60  | 0.173  |       | 0.181 |
| H    | 9.35        |      | 10.10 | 0.368  |       | 0.397 |
| L    | 1.00        |      | 1.50  | 0.039  |       | 0.059 |
| L1   |             | 2.80 |       |        | 0.11  |       |
| L2   |             | 0.80 |       |        | 0.032 |       |
| L4   | 0.60        |      | 1.00  | 0.023  |       | 0.039 |
| R    |             | 0.2  |       |        | 0.008 |       |
| V2   | 0°          |      | 8°    | 0°     |       | 8°    |

Figure 14. Footprint (dimensions in mm)

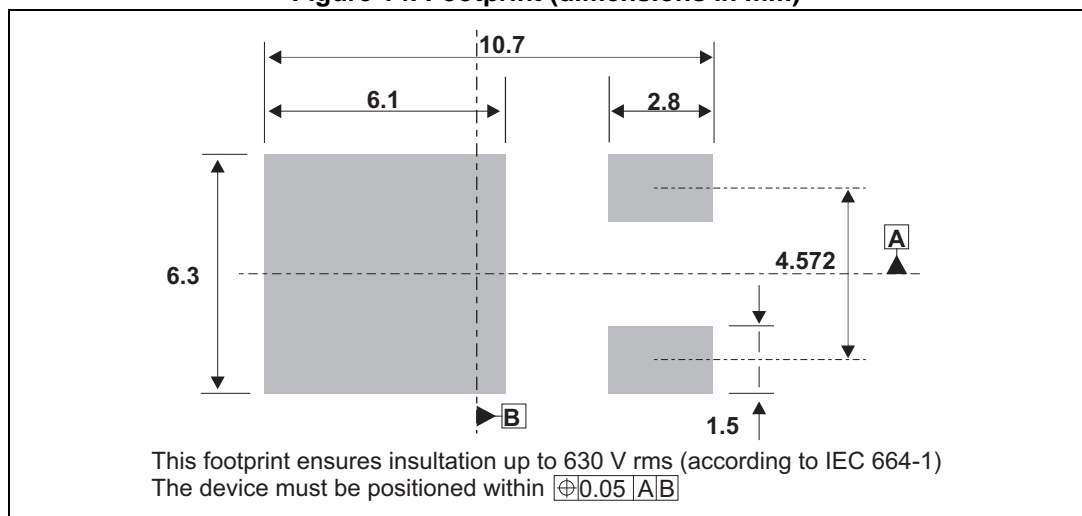


Figure 15. D<sup>2</sup>PAK dimension definitions

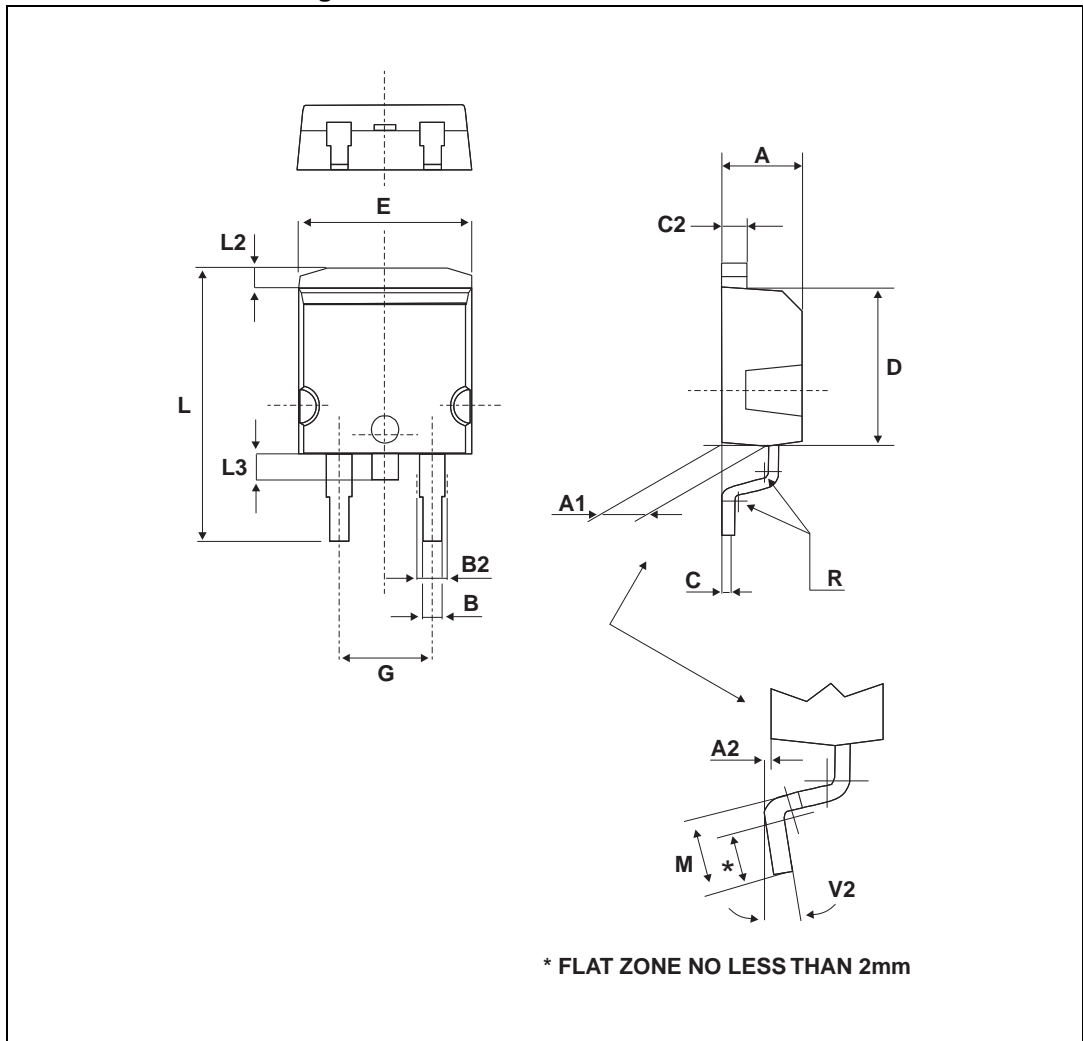
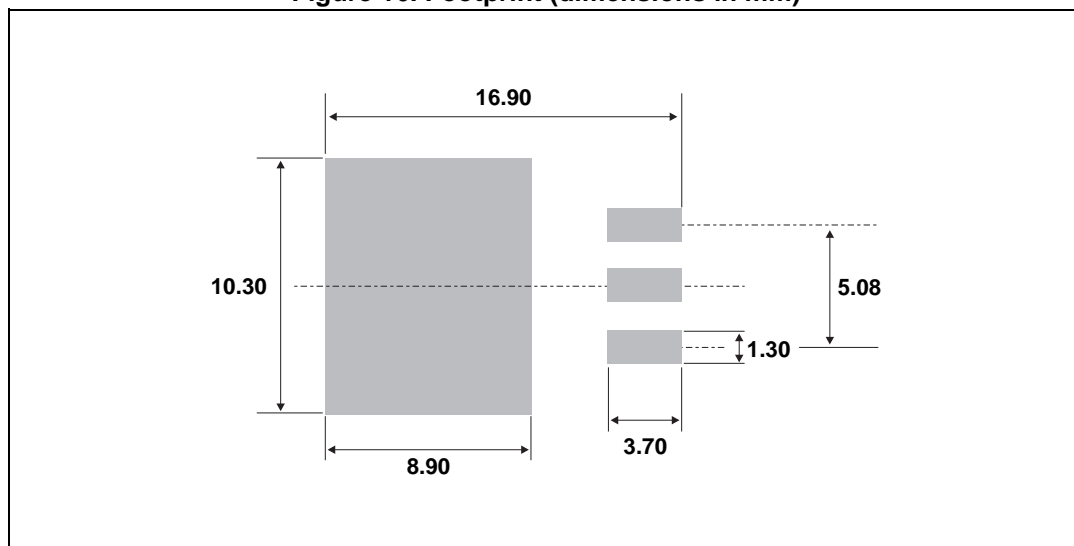


Table 9. D<sup>2</sup>PAK dimension values

| Ref. | Dimensions  |       |       |        |       |       |
|------|-------------|-------|-------|--------|-------|-------|
|      | Millimeters |       |       | Inches |       |       |
|      | Min.        | Typ.  | Max.  | Min.   | Typ.  | Max.  |
| A    | 4.40        | 4.60  | 0.173 | 0.181  | A     | 4.40  |
| A1   | 2.49        | 2.69  | 0.098 | 0.106  | A1    | 2.49  |
| A2   | 0.03        | 0.23  | 0.001 | 0.009  | A2    | 0.03  |
| B    | 0.70        | 0.93  | 0.027 | 0.037  | B     | 0.70  |
| B2   | 1.14        | 1.70  | 0.045 | 0.067  | B2    | 1.14  |
| C    | 0.45        | 0.60  | 0.017 | 0.024  | C     | 0.45  |
| C2   | 1.23        | 1.36  | 0.048 | 0.054  | C2    | 1.23  |
| D    | 8.95        | 9.35  | 0.352 | 0.368  | D     | 8.95  |
| E    | 10.00       | 10.40 | 0.393 | 0.409  | E     | 10.00 |
| G    | 4.88        | 5.28  | 0.192 | 0.208  | G     | 4.88  |
| L    | 15.00       | 15.85 | 0.590 | 0.624  | L     | 15.00 |
| L2   | 1.27        | 1.40  | 0.050 | 0.055  | L2    | 1.27  |
| L3   | 1.40        | 1.75  | 0.055 | 0.069  | L3    | 1.40  |
| M    | 2.40        | 3.20  | 0.094 | 0.126  | M     | 2.40  |
| R    |             | 0.40  |       |        | 0.016 |       |
| V2   | 0°          |       | 8°    | 0°     |       | 8°    |

Figure 16. Footprint (dimensions in mm)



### 3 Ordering information

**Table 10. Ordering information**

| Order code     | Marking      | Package            | Weight | Base qty | Delivery mode |
|----------------|--------------|--------------------|--------|----------|---------------|
| STPSC8H065D    | STPSC8H065D  | TO-220AC           | 1.86 g | 50       | Tube          |
| STPSC8H065DI   | STPSC8H065DI | TO-220AC Ins       | 2.12 g | 50       | Tube          |
| STPSC8H065G-TR | STPSC8H065G  | D <sup>2</sup> PAK | 1.48 g | 1000     | Tape and reel |
| STPSC8H065B-TR | STPSC 8H065  | DPAK               | 0.32 g | 2500     | Tape and reel |

### 4 Revision history

**Table 11. Document revision history**

| Date        | Revision | Changes   |
|-------------|----------|---|
| 31-Aug-2012 | 1        | First issue.  |
| 10-Oct-2012 | 2        | Added Max. value to <a href="#">Table 3</a> .   |
| 07-Nov-2013 | 3        | Updated <a href="#">Figure 1</a> , <a href="#">Figure 2</a> , <a href="#">Figure 13</a> , <a href="#">Figure 14</a> , and <a href="#">Table 9</a> . |
| 07-Jan-2014 | 4        | Added TO-220AC Ins package.   |

**Please Read Carefully:**

Information in this document is provided solely in connection with ST products. STMicroelectronics NV and its subsidiaries ("ST") reserve the right to make changes, corrections, modifications or improvements, to this document, and the products and services described herein at any time, without notice.

All ST products are sold pursuant to ST's terms and conditions of sale.

Purchasers are solely responsible for the choice, selection and use of the ST products and services described herein, and ST assumes no liability whatsoever relating to the choice, selection or use of the ST products and services described herein.

No license, express or implied, by estoppel or otherwise, to any intellectual property rights is granted under this document. If any part of this document refers to any third party products or services it shall not be deemed a license grant by ST for the use of such third party products or services, or any intellectual property contained therein or considered as a warranty covering the use in any manner whatsoever of such third party products or services or any intellectual property contained therein.

**UNLESS OTHERWISE SET FORTH IN ST'S TERMS AND CONDITIONS OF SALE ST DISCLAIMS ANY EXPRESS OR IMPLIED WARRANTY WITH RESPECT TO THE USE AND/OR SALE OF ST PRODUCTS INCLUDING WITHOUT LIMITATION IMPLIED WARRANTIES OF MERCHANTABILITY, FITNESS FOR A PARTICULAR PURPOSE (AND THEIR EQUIVALENTS UNDER THE LAWS OF ANY JURISDICTION), OR INFRINGEMENT OF ANY PATENT, COPYRIGHT OR OTHER INTELLECTUAL PROPERTY RIGHT.**

**ST PRODUCTS ARE NOT DESIGNED OR AUTHORIZED FOR USE IN: (A) SAFETY CRITICAL APPLICATIONS SUCH AS LIFE SUPPORTING, ACTIVE IMPLANTED DEVICES OR SYSTEMS WITH PRODUCT FUNCTIONAL SAFETY REQUIREMENTS; (B) AERONAUTIC APPLICATIONS; (C) AUTOMOTIVE APPLICATIONS OR ENVIRONMENTS, AND/OR (D) AEROSPACE APPLICATIONS OR ENVIRONMENTS. WHERE ST PRODUCTS ARE NOT DESIGNED FOR SUCH USE, THE PURCHASER SHALL USE PRODUCTS AT PURCHASER'S SOLE RISK, EVEN IF ST HAS BEEN INFORMED IN WRITING OF SUCH USAGE, UNLESS A PRODUCT IS EXPRESSLY DESIGNATED BY ST AS BEING INTENDED FOR "AUTOMOTIVE, AUTOMOTIVE SAFETY OR MEDICAL" INDUSTRY DOMAINS ACCORDING TO ST PRODUCT DESIGN SPECIFICATIONS. PRODUCTS FORMALLY ESCC, QML OR JAN QUALIFIED ARE DEEMED SUITABLE FOR USE IN AEROSPACE BY THE CORRESPONDING GOVERNMENTAL AGENCY.**

Resale of ST products with provisions different from the statements and/or technical features set forth in this document shall immediately void any warranty granted by ST for the ST product or service described herein and shall not create or extend in any manner whatsoever, any liability of ST.

ST and the ST logo are trademarks or registered trademarks of ST in various countries.

Information in this document supersedes and replaces all information previously supplied.

The ST logo is a registered trademark of STMicroelectronics. All other names are the property of their respective owners.

© 2014 STMicroelectronics - All rights reserved

STMicroelectronics group of companies

Australia - Belgium - Brazil - Canada - China - Czech Republic - Finland - France - Germany - Hong Kong - India - Israel - Italy - Japan - Malaysia - Malta - Morocco - Philippines - Singapore - Spain - Sweden - Switzerland - United Kingdom - United States of America

[www.st.com](http://www.st.com)