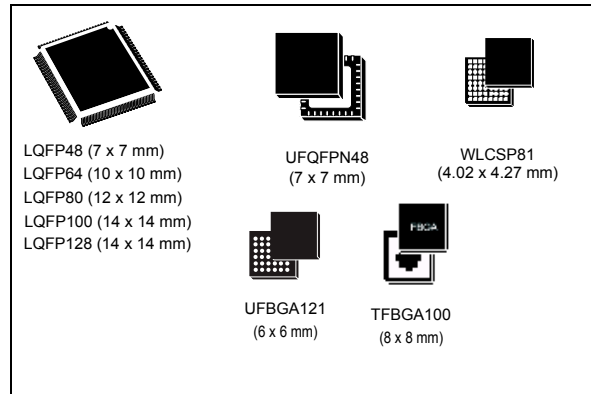


Arm<sup>®</sup> Cortex<sup>®</sup>-M4 32-bit MCU+FPU, up to 512 KB Flash, 170 MHz /  
213DMIPS, 128 KB SRAM, rich analog, math accelerator

Datasheet - production data

## Features

- Core: Arm<sup>®</sup> 32-bit Cortex<sup>®</sup>-M4 CPU with FPU, Adaptive real-time accelerator (ART Accelerator) allowing 0-wait-state execution from Flash memory, frequency up to 170 MHz with 213 DMIPS, MPU, DSP instructions
- Operating conditions:
  - $V_{DD}$ ,  $V_{DDA}$  voltage range: 1.71 V to 3.6 V
- Mathematical hardware accelerators
  - CORDIC for trigonometric functions acceleration
  - FMAC: filter mathematical accelerator
- Memories
  - 512 Kbytes of Flash memory with ECC support, two banks read-while-write, proprietary code readout protection (PCROP), securable memory area, 1 Kbyte OTP
  - 96 Kbytes of SRAM, with hardware parity check implemented on the first 32 Kbytes
  - Routine booster: 32 Kbytes of SRAM on instruction and data bus, with hardware parity check (CCM SRAM)
  - External memory interface for static memories FSMC supporting SRAM, PSRAM, NOR and NAND memories
  - Quad-SPI memory interface
- Reset and supply management
  - Power-on/power-down reset (POR/PDR/BOR)
  - Programmable voltage detector (PVD)
  - Low-power modes: sleep, stop, standby and shutdown
  - $V_{BAT}$  supply for RTC and backup registers
- Clock management
  - 4 to 48 MHz crystal oscillator
  - 32 kHz oscillator with calibration
  - Internal 16 MHz RC with PLL option ( $\pm 1\%$ )



- Internal 32 kHz RC oscillator ( $\pm 5\%$ )
- Up to 107 fast I/Os
  - All mappable on external interrupt vectors
  - Several I/Os with 5 V tolerant capability
- Interconnect matrix
- 16-channel DMA controller
- 5 x 12-bit ADCs 0.25  $\mu$ s, up to 42 channels. Resolution up to 16-bit with hardware oversampling, 0 to 3.6 V conversion range
- 7 x 12-bit DAC channels
  - 3 x buffered external channels 1 MSPS
  - 4 x unbuffered internal channels 15 MSPS
- 7 x ultra-fast rail-to-rail analog comparators
- 6 x operational amplifiers that can be used in PGA mode, all terminals accessible
- Internal voltage reference buffer (VREFBUF) supporting three output voltages (2.048 V, 2.5 V, 2.95 V)
- 14 timers:
  - 2 x 32-bit timer and 2 x 16-bit timers with up to four IC/OC/PWM or pulse counter and quadrature (incremental) encoder input
  - 3 x 16-bit 8-channel advanced motor control timers, with up to 8 x PWM channels, dead time generation and emergency stop

- 1 x 16-bit timer with 2 x IC/OCs, one OCN/PWM, dead time generation and emergency stop
- 2 x 16-bit timers with IC/OC/OCN/PWM, dead time generation and emergency stop
- 2 x watchdog timers (independent, window)
- 1 x SysTick timer: 24-bit downcounter
- 2 x 16-bit basic timers
- 1 x low-power timer
- Calendar RTC with alarm, periodic wakeup from stop/standby
- Communication interfaces
  - 3 x FDCAN controller supporting flexible data rate
  - 4 x I<sup>2</sup>C Fast mode plus (1 Mbit/s) with 20 mA current sink, SMBus/PMBus, wakeup from stop
- 5 x USART/UARTs (ISO 7816 interface, LIN, IrDA, modem control)
- 1 x LPUART
- 4 x SPIs, 4 to 16 programmable bit frames, 2 x with multiplexed half duplex I<sup>2</sup>S interface
- 1 x SAI (serial audio interface)
- USB 2.0 full-speed interface with LPM and BCD support
- IRTIM (infrared interface)
- USB Type-C™ /USB power delivery controller (UCPD)
- True random number generator (RNG)
- CRC calculation unit, 96-bit unique ID
- Development support: serial wire debug (SWD), JTAG, Embedded Trace Macrocell™

**Table 1. Device summary**

Reference	Part number
STM32G473xB	STM32G473CB, STM32G473MB, STM32G473PB, STM32G473RB, STM32G473VB, STM32G473QB
STM32G473xC	STM32G473CC, STM32G473MC, STM32G473PC, STM32G473RC, STM32G473VC, STM32G473QC
STM32G473xE	STM32G473CE, STM32G473ME, STM32G473PE, STM32G473RE, STM32G473VE, STM32G473QE

# Contents

<b>1</b>	<b>Introduction</b>	<b>12</b>
<b>2</b>	<b>Description</b>	<b>13</b>
<b>3</b>	<b>Functional overview</b>	<b>17</b>
3.1	Arm® Cortex®-M4 core with FPU	17
3.2	Adaptive real-time memory accelerator (ART accelerator)	17
3.3	Memory protection unit	17
3.4	Embedded Flash memory	18
3.5	Embedded SRAM	19
3.6	Multi-AHB bus matrix	19
3.7	Boot modes	20
3.8	CORDIC	20
3.9	Filter mathematical accelerator (FMAC)	20
3.10	Cyclic redundancy check calculation unit (CRC)	21
3.11	Power supply management	21
3.11.1	Power supply schemes	21
3.11.2	Power supply supervisor	22
3.11.3	Voltage regulator	22
3.11.4	Low-power modes	23
3.11.5	Reset mode	23
3.11.6	VBAT operation	24
3.12	Interconnect matrix	25
3.13	Clocks and startup	27
3.14	General-purpose inputs/outputs (GPIOs)	28
3.15	Direct memory access controller (DMA)	28
3.16	DMA request router (DMAMux)	29
3.17	Interrupts and events	29
3.17.1	Nested vectored interrupt controller (NVIC)	29
3.17.2	Extended interrupt/event controller (EXTI)	29
3.18	Analog-to-digital converter (ADC)	30
3.18.1	Temperature sensor	30

3.18.2	Internal voltage reference (VREFINT) . . . . .	31
3.18.3	VBAT battery voltage monitoring . . . . .	31
3.18.4	Operational amplifier internal output (OPAMPxINT): . . . . .	31
3.19	Digital to analog converter (DAC) . . . . .	31
3.20	Voltage reference buffer (VREFBUF) . . . . .	32
3.21	Comparators (COMP) . . . . .	33
3.22	Operational amplifier (OPAMP) . . . . .	33
3.23	Random number generator (RNG) . . . . .	33
3.24	Timers and watchdogs . . . . .	33
3.24.1	Advanced motor control timer (TIM1, TIM8, TIM20) . . . . .	34
3.24.2	General-purpose timers (TIM2, TIM3, TIM4, TIM5, TIM15, TIM16, TIM17) . . . . .	35
3.24.3	Basic timers (TIM6 and TIM7) . . . . .	35
3.24.4	Low-power timer (LPTIM1) . . . . .	36
3.24.5	Independent watchdog (IWDG) . . . . .	36
3.24.6	System window watchdog (WWDG) . . . . .	36
3.24.7	SysTick timer . . . . .	36
3.25	Real-time clock (RTC) and backup registers . . . . .	37
3.26	Tamper and backup registers (TAMP) . . . . .	37
3.27	Infrared transmitter . . . . .	38
3.28	Inter-integrated circuit interface (I <sup>2</sup> C) . . . . .	39
3.29	Universal synchronous/asynchronous receiver transmitter (USART) . . . .	40
3.30	Low-power universal asynchronous receiver transmitter (LPUART) . . . .	41
3.31	Serial peripheral interface (SPI) . . . . .	41
3.32	Serial audio interfaces (SAI) . . . . .	42
3.33	Controller area network (FDCAN1, FDCAN2, FDCAN3) . . . . .	43
3.34	Universal serial bus (USB) . . . . .	43
3.35	USB Type-C™ / USB Power Delivery controller (UCPD) . . . . .	43
3.36	Clock recovery system (CRS) . . . . .	44
3.37	Flexible static memory controller (FSMC) . . . . .	44
3.38	Quad SPI memory interface (QUADSPI) . . . . .	45
3.39	Development support . . . . .	46
3.39.1	Serial wire JTAG debug port (SWJ-DP) . . . . .	46
3.39.2	Embedded trace macrocell™ . . . . .	46

<b>4</b>	<b>Pinouts and pin description</b>	<b>47</b>
4.1	UFQFPN48 pinout description	47
4.2	LQFP48 pinout description	48
4.3	LQFP64 pinout description	48
4.4	LQFP80 pinout description	49
4.5	LQFP100 pinout description	50
4.6	LQFP128 pinout description	51
4.7	WLCSP81 pinout description	52
4.8	TFBGA100 pinout description	52
4.9	UFBGA121 pinout description	53
4.10	Pin definition	54
4.11	Alternate functions	70
<b>5</b>	<b>Electrical characteristics</b>	<b>77</b>
5.1	Parameter conditions	77
5.1.1	Minimum and maximum values	77
5.1.2	Typical values	77
5.1.3	Typical curves	77
5.1.4	Loading capacitor	77
5.1.5	Pin input voltage	77
5.1.6	Power supply scheme	78
5.1.7	Current consumption measurement	79
5.2	Absolute maximum ratings	79
5.3	Operating conditions	81
5.3.1	General operating conditions	81
5.3.2	Operating conditions at power-up / power-down	83
5.3.3	Embedded reset and power control block characteristics	83
5.3.4	Embedded voltage reference	85
5.3.5	Supply current characteristics	86
5.3.6	Wakeup time from low-power modes and voltage scaling transition times	112
5.3.7	External clock source characteristics	113
5.3.8	Internal clock source characteristics	118
5.3.9	PLL characteristics	121
5.3.10	Flash memory characteristics	122
5.3.11	EMC characteristics	123

5.3.12	Electrical sensitivity characteristics	124
5.3.13	I/O current injection characteristics	125
5.3.14	I/O port characteristics	126
5.3.15	NRST pin characteristics	131
5.3.16	Extended interrupt and event controller input (EXTI) characteristics	132
5.3.17	Analog switches booster	132
5.3.18	Analog-to-digital converter characteristics	133
5.3.19	Digital-to-Analog converter characteristics	148
5.3.20	Voltage reference buffer characteristics	155
5.3.21	Comparator characteristics	158
5.3.22	Operational amplifiers characteristics	159
5.3.23	Temperature sensor characteristics	163
5.3.24	V <sub>BAT</sub> monitoring characteristics	163
5.3.25	Timer characteristics	164
5.3.26	Communication interfaces characteristics	165
5.3.27	FSMC characteristics	175
5.3.28	QUADSPI characteristics	192
5.3.29	UCPD characteristics	194
<b>6</b>	<b>Package information</b>	<b>195</b>
6.1	WLCSP81 package information	195
6.2	UFQFPN48 package information	198
6.3	LQFP48 package information	201
6.4	LQFP64 package information	205
6.5	LQFP80 package information	208
6.6	TFBGA100 package information	210
6.7	LQFP100 package information	213
6.8	LQFP128 package information	216
6.9	UFBGA121 package information	219
6.10	Thermal characteristics	222
6.10.1	Reference document	223
6.10.2	Selecting the product temperature range	224
<b>7</b>	<b>Ordering information</b>	<b>226</b>
<b>8</b>	<b>Revision history</b>	<b>227</b>

## List of tables

Table 1.	Device summary . . . . .	2
Table 2.	STM32G473xB/xC/xE features and peripheral counts . . . . .	14
Table 3.	STM32G473xB/xC/xE peripherals interconnect matrix. . . . .	25
Table 4.	DMA implementation . . . . .	28
Table 5.	Temperature sensor calibration values. . . . .	31
Table 6.	Internal voltage reference calibration values . . . . .	31
Table 7.	Timer feature comparison. . . . .	33
Table 8.	I2C implementation. . . . .	39
Table 9.	USART/UART/LPUART features . . . . .	40
Table 10.	SAI implementation for the features implementation . . . . .	42
Table 11.	Legend/abbreviations used in the pinout table . . . . .	54
Table 12.	STM32G473xB/xC/xE pin definition . . . . .	55
Table 13.	Alternate function . . . . .	70
Table 14.	Voltage characteristics . . . . .	79
Table 15.	Current characteristics . . . . .	80
Table 16.	Thermal characteristics. . . . .	80
Table 17.	General operating conditions . . . . .	81
Table 18.	Operating conditions at power-up / power-down . . . . .	83
Table 19.	Embedded reset and power control block characteristics. . . . .	83
Table 20.	Embedded internal voltage reference. . . . .	85
Table 21.	Current consumption in Run and Low-power run modes, code with data processing running from Flash in single Bank, ART enable (Cache ON Prefetch OFF) . . . . .	87
Table 22.	Current consumption in Run and Low-power run modes, code with data processing running from Flash in dual bank, ART enable (Cache ON Prefetch OFF) . . . . .	89
Table 23.	Current consumption in Run and Low-power run modes, code with data processing running from SRAM1 . . . . .	91
Table 24.	Typical current consumption in Run and Low-power run modes, with different codes running from Flash, ART enable (Cache ON Prefetch OFF) . . . . .	93
Table 25.	Typical current consumption in Run and Low-power run modes, with different codes running from SRAM1 . . . . .	95
Table 26.	Typical current consumption in Run and Low-power run modes, with different codes running from SRAM2 . . . . .	96
Table 27.	Typical current consumption in Run and Low-power run modes, with different codes running from CCMSRAM . . . . .	97
Table 28.	Current consumption in Sleep and Low-power sleep mode Flash ON . . . . .	98
Table 29.	Current consumption in low-power sleep modes, Flash in power-down. . . . .	99
Table 30.	Current consumption in Stop 1 mode . . . . .	100
Table 31.	Current consumption in Stop 0 mode . . . . .	101
Table 32.	Current consumption in Standby mode . . . . .	101
Table 33.	Current consumption in Shutdown mode . . . . .	103
Table 34.	Current consumption in VBAT mode . . . . .	105
Table 35.	Peripheral current consumption . . . . .	107
Table 36.	Low-power mode wakeup timings . . . . .	112
Table 37.	Regulator modes transition times . . . . .	113
Table 38.	Wakeup time using USART/LPUART. . . . .	113
Table 39.	High-speed external user clock characteristics. . . . .	113
Table 40.	Low-speed external user clock characteristics . . . . .	114
Table 41.	HSE oscillator characteristics . . . . .	115

Table 42.	LSE oscillator characteristics ( $f_{LSE} = 32.768$ kHz)	117
Table 43.	HSI16 oscillator characteristics	118
Table 44.	HSI48 oscillator characteristics	119
Table 45.	LSI oscillator characteristics	120
Table 46.	PLL characteristics	121
Table 47.	Flash memory characteristics	122
Table 48.	Flash memory endurance and data retention	122
Table 49.	EMS characteristics	123
Table 50.	EMI characteristics	124
Table 51.	ESD absolute maximum ratings	124
Table 52.	Electrical sensitivities	125
Table 53.	I/O current injection susceptibility	125
Table 54.	I/O static characteristics	126
Table 55.	Output voltage characteristics	128
Table 56.	I/O (except FT_c) AC characteristics	129
Table 57.	I/O FT_c AC characteristics	130
Table 58.	NRST pin characteristics	131
Table 59.	EXTI input characteristics	132
Table 60.	Analog switches booster characteristics	132
Table 61.	ADC characteristics	133
Table 62.	Maximum ADC RAIN	136
Table 63.	ADC accuracy - limited test conditions 1	138
Table 64.	ADC accuracy - limited test conditions 2	140
Table 65.	ADC accuracy - limited test conditions 3	142
Table 66.	ADC accuracy (Multiple ADCs operation) - limited test conditions 1	144
Table 67.	ADC accuracy (Multiple ADCs operation) - limited test conditions 2	145
Table 68.	ADC accuracy (Multiple ADCs operation) - limited test conditions 3	146
Table 69.	DAC 1MSPS characteristics	148
Table 70.	DAC 1MSPS accuracy	151
Table 71.	DAC 15MSPS characteristics	152
Table 72.	DAC 15MSPS accuracy	154
Table 73.	VREFBUF characteristics	155
Table 74.	COMP characteristics	158
Table 75.	OPAMP characteristics	159
Table 76.	TS characteristics	163
Table 77.	$V_{BAT}$ monitoring characteristics	163
Table 78.	$V_{BAT}$ charging characteristics	163
Table 79.	TIMx characteristics	164
Table 80.	IWDG min/max timeout period at 32 kHz (LSI)	165
Table 81.	WWDG min/max timeout value at 170 MHz (PCLK)	165
Table 82.	Minimum I2CCLK frequency in all I2C modes	166
Table 83.	I2C analog filter characteristics	166
Table 84.	SPI characteristics	167
Table 85.	I2S characteristics	170
Table 86.	SAI characteristics	172
Table 87.	USB electrical characteristics	174
Table 88.	USART electrical characteristics	174
Table 89.	Asynchronous non-multiplexed SRAM/PSRAM/NOR read timings	177
Table 90.	Asynchronous non-multiplexed SRAM/PSRAM/NOR read-NWAIT timings	177
Table 91.	Asynchronous non-multiplexed SRAM/PSRAM/NOR write timings	178
Table 92.	Asynchronous non-multiplexed SRAM/PSRAM/NOR write-NWAIT timings	179
Table 93.	Asynchronous multiplexed PSRAM/NOR read timings	180



Table 94.	Asynchronous multiplexed PSRAM/NOR read-NWAIT timings	180
Table 95.	Asynchronous multiplexed PSRAM/NOR write timings	182
Table 96.	Asynchronous multiplexed PSRAM/NOR write-NWAIT timings	182
Table 97.	Synchronous multiplexed NOR/PSRAM read timings	184
Table 98.	Synchronous multiplexed PSRAM write timings	186
Table 99.	Synchronous non-multiplexed NOR/PSRAM read timings	187
Table 100.	Synchronous non-multiplexed PSRAM write timings	189
Table 101.	Switching characteristics for NAND Flash read cycles	191
Table 102.	Switching characteristics for NAND Flash write cycles	191
Table 103.	Quad SPI characteristics in SDR mode	192
Table 104.	QUADSPI characteristics in DDR mode	192
Table 105.	UCPD characteristics	194
Table 106.	WLCSP81 - mechanical data	196
Table 107.	WLCSP81 - recommended PCB design rules	197
Table 108.	UFQFPN48 - mechanical data	199
Table 109.	LQFP48 - mechanical data	202
Table 110.	LQFP64 - mechanical data	205
Table 111.	LQFP80 - mechanical data	208
Table 112.	TFBGA100 - mechanical data	211
Table 113.	TFBGA100 - recommended PCB design rules	211
Table 114.	LQPF100 - mechanical data	213
Table 115.	LQFP128 - mechanical data	216
Table 116.	UFBGA121 - mechanical data	220
Table 117.	UFBGA121 - recommended PCB design rules	221
Table 118.	Package thermal characteristics	222
Table 119.	Ordering information	226
Table 120.	Document revision history	227

## List of figures

Figure 1.	STM32G473xB/xC/xE block diagram	16
Figure 2.	Multi-AHB bus matrix	19
Figure 3.	Voltage reference buffer	32
Figure 4.	Infrared transmitter	38
Figure 5.	STM32G473xB/xC/xE UFQFPN48 pinout	47
Figure 6.	STM32G473xB/xC/xE LQFP48 pinout	48
Figure 7.	STM32G473xB/xC/xE LQFP64 pinout	48
Figure 8.	STM32G473xB/xC/xE LQFP80 pinout	49
Figure 9.	STM32G473xB/xC/xE LQFP100 pinout	50
Figure 10.	STM32G473xB/xC/xE LQFP128 pinout	51
Figure 11.	STM32G473xB/xC/xE WLCSP81 pinout	52
Figure 12.	STM32G473xB/xC/xE TFBGA100 pinout	52
Figure 13.	STM32G473xB/xC/xE UFBGA121 pinout	53
Figure 14.	Pin loading conditions	77
Figure 15.	Pin input voltage	77
Figure 16.	Power supply scheme	78
Figure 17.	Current consumption measurement	79
Figure 18.	VREFINT versus temperature	86
Figure 19.	High-speed external clock source AC timing diagram	114
Figure 20.	Low-speed external clock source AC timing diagram	114
Figure 21.	Typical application with an 8 MHz crystal	116
Figure 22.	Typical application with a 32.768 kHz crystal	117
Figure 23.	HSI16 frequency versus temperature	119
Figure 24.	HSI48 frequency versus temperature	120
Figure 25.	I/O input characteristics	127
Figure 26.	I/O AC characteristics definition <sup>(1)</sup>	131
Figure 27.	Recommended NRST pin protection	132
Figure 28.	ADC accuracy characteristics	147
Figure 29.	Typical connection diagram using the ADC	147
Figure 30.	12-bit buffered / non-buffered DAC	150
Figure 31.	VREFOUT_TEMP in case VRS = 00	156
Figure 32.	VREFOUT_TEMP in case VRS = 01	157
Figure 33.	VREFOUT_TEMP in case VRS = 10	157
Figure 34.	OPAMP noise density @ 25°C	162
Figure 35.	SPI timing diagram - slave mode and CPHA = 0	168
Figure 36.	SPI timing diagram - slave mode and CPHA = 1	169
Figure 37.	SPI timing diagram - master mode	169
Figure 38.	SAI master timing waveforms	173
Figure 39.	SAI slave timing waveforms	173
Figure 40.	Asynchronous non-multiplexed SRAM/PSRAM/NOR read waveforms	176
Figure 41.	Asynchronous non-multiplexed SRAM/PSRAM/NOR write waveforms	178
Figure 42.	Asynchronous multiplexed PSRAM/NOR read waveforms	179
Figure 43.	Asynchronous multiplexed PSRAM/NOR write waveforms	181
Figure 44.	Synchronous multiplexed NOR/PSRAM read timings	183
Figure 45.	Synchronous multiplexed PSRAM write timings	185
Figure 46.	Synchronous non-multiplexed NOR/PSRAM read timings	187
Figure 47.	Synchronous non-multiplexed PSRAM write timings	188
Figure 48.	NAND controller waveforms for read access	190

Figure 49.	NAND controller waveforms for write access . . . . .	190
Figure 50.	NAND controller waveforms for common memory read access . . . . .	190
Figure 51.	NAND controller waveforms for common memory write access . . . . .	191
Figure 52.	Quad SPI timing diagram - SDR mode . . . . .	193
Figure 53.	Quad SPI timing diagram - DDR mode . . . . .	194
Figure 54.	WLCSP81 - outline . . . . .	195
Figure 55.	WLCSP81 - recommended footprint . . . . .	196
Figure 56.	UFQFPN48 - outline . . . . .	198
Figure 57.	UFQFPN48 - recommended footprint . . . . .	199
Figure 58.	UFQFPN48 top view example . . . . .	200
Figure 59.	LQFP48 - outline . . . . .	201
Figure 60.	LQFP48 - recommended footprint . . . . .	203
Figure 61.	LQFP48 top view example . . . . .	204
Figure 62.	LQFP64 - outline . . . . .	205
Figure 63.	LQFP64 - recommended footprint . . . . .	206
Figure 64.	LQFP64 top view example . . . . .	207
Figure 65.	LQFP80 - outline . . . . .	208
Figure 66.	LQFP80 - recommended footprint . . . . .	209
Figure 67.	TFBGA100 - outline . . . . .	210
Figure 68.	TFBGA100 - recommended footprint . . . . .	211
Figure 69.	TFBGA100 - 8 x 8 mm, low-profile quad flat package top view example . . . . .	212
Figure 70.	LQFP100 - outline . . . . .	213
Figure 71.	LQFP100 - recommended footprint . . . . .	214
Figure 72.	LQFP100 top view example . . . . .	215
Figure 73.	LQFP128 - outline . . . . .	216
Figure 74.	LQFP128 - recommended footprint . . . . .	217
Figure 75.	LQFP128 top view example . . . . .	218
Figure 76.	UFBGA121 - outline . . . . .	219
Figure 77.	UFBGA121 - recommended footprint . . . . .	221

# 1 Introduction

This datasheet provides the ordering information and mechanical device characteristics of the STM32G473xB/xC/xE microcontrollers.

This document should be read in conjunction with the reference manual RM0440 “STM32G4 Series advanced Arm<sup>®</sup> 32-bit MCUs”. The reference manual is available from the STMicroelectronics website [www.st.com](http://www.st.com).

For information on the Arm<sup>®(a)</sup> Cortex<sup>®</sup>-M4 core, refer to the Cortex<sup>®</sup>-M4 technical reference manual, available from the [www.arm.com](http://www.arm.com) website.

**arm**

---

a. Arm is a registered trademark of Arm Limited (or its subsidiaries) in the US and/or elsewhere.

## 2 Description

The STM32G473xB/xC/xE devices are based on the high-performance Arm<sup>®</sup> Cortex<sup>®</sup>-M4 32-bit RISC core. They operate at a frequency of up to 170 MHz.

The Cortex-M4 core features a single-precision floating-point unit (FPU), which supports all the Arm single-precision data-processing instructions and all the data types. It also implements a full set of DSP (digital signal processing) instructions and a memory protection unit (MPU) which enhances the application's security.

These devices embed high-speed memories (512 Kbytes of Flash memory, and 128 Kbytes of SRAM), a flexible external memory controller (FSMC) for static memories (for devices with packages of 100 pins and more), a Quad SPI Flash memory interface, and an extensive range of enhanced I/Os and peripherals connected to two APB buses, two AHB buses and a 32-bit multi-AHB bus matrix.

The devices also embed several protection mechanisms for embedded Flash memory and SRAM: readout protection, write protection, securable memory area and proprietary code readout protection.

The devices embed peripherals allowing mathematical/arithmetic function acceleration (CORDIC for trigonometric functions and FMAC unit for filter functions).

They offer five fast 12-bit ADCs (5 Msps), seven comparators, six operational amplifiers, seven DAC channels (3 external and 4 internal), an internal voltage reference buffer, a low-power RTC, two three general-purpose 32-bit timers, three 16-bit PWM timers dedicated to motor control, seven general-purpose 16-bit timers, and one 16-bit low-power timer.

They also feature standard and advanced communication interfaces such as:

- Four I2Cs
- Four SPIs multiplexed with two half duplex I2Ss
- Three USARTs, two UARTs and one low-power UART.
- Three FDCANs
- One SAI
- USB device
- UCPD

The devices operate in the -40 to +85 °C (+105 °C junction) and -40 to +125 °C (+130 °C junction) temperature ranges from a 1.71 to 3.6 V power supply. A comprehensive set of power-saving modes allows the design of low-power applications.

Some independent power supplies are supported including an analog independent supply input for ADC, DAC, OPAMPs and comparators. A  $V_{BAT}$  input allows backup of the RTC and the registers.

The STM32G473xB/xC/xE family offers 8 packages from 48-pin to 128-pin.

Table 2. STM32G473xB/xC/xE features and peripheral counts

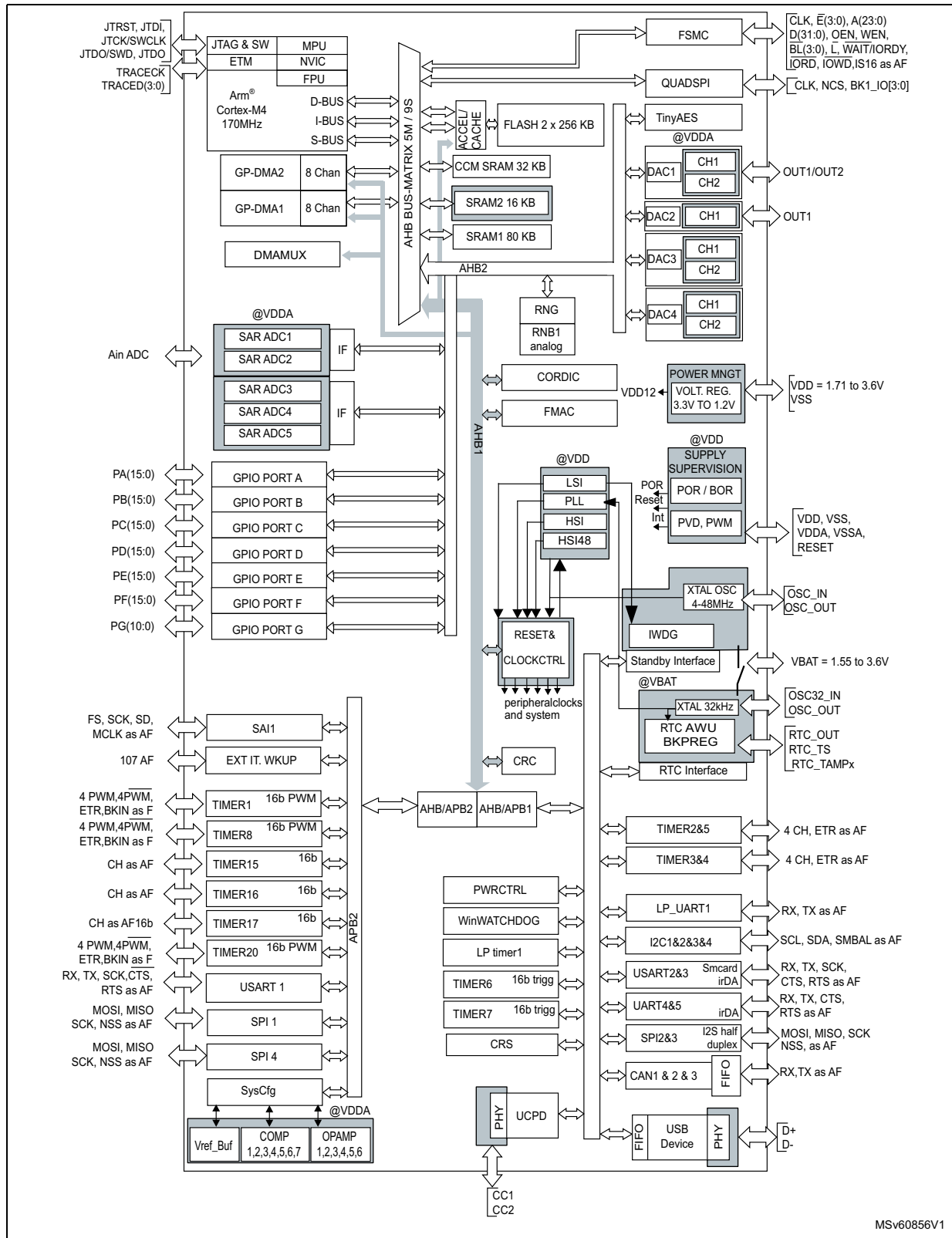
Peripheral		STM32G473 Cx			STM32G473 Rx			STM32G473 Mx			STM32G473 Vx			STM32G473 Qx		
		128 KB	256 KB	512 KB	128 KB	256 KB	512 KB	128 KB	256 KB	512 KB	128 KB	256 KB	512 KB	128 KB	256 KB	512 KB
Flash memory		128 KB	256 KB	512 KB	128 KB	256 KB	512 KB	128 KB	256 KB	512 KB	128 KB	256 KB	512 KB	128 KB	256 KB	512 KB
SRAM		128 (80 + 16+ 32) KB														
External memory controller for static memories (FSMC)		No					Yes			Yes <sup>(1)</sup>			Yes			
QUADSPI		1														
Timers	Advanced motor control	3 (16-bit)														
	General purpose	5 (16-bit) 2 (32-bit)														
	Basic	2 (16-bit)														
	Low power	1 (16-bit)														
	SysTick timer	1														
	Watchdog timers (independent, window)	2														
Comm. interfaces	SPI(I2S) <sup>(2)</sup>	3 (2)						4 (2)								
	I <sup>2</sup> C	4														
	USART	3														
	UART	0			2											
	LPUART	1														
	FDCANs	3														
	USB device	Yes														
	UCPD	Yes														
	SAI	Yes														
RTC		Yes														
Tamper pins		2					3									
Random number generator		Yes														
CORDIC		Yes														
FMAC		Yes														
GPIOs		38 in LQFP48 42 in UFQFPN48			52			67 in WLCSP81 66 in LQFP80			86			107		
Wakeup pins		3			4			4			5			5		
12-bit ADCs		5														
Number of channels		20 in LQFP48 21 in UFQFPN48			26			42 in WLCSP81 41 in LQFP80			42			42		

**Table 2. STM32G473xB/xC/xE features and peripheral counts (continued)**

Peripheral	STM32G473 Cx	STM32G473 Rx	STM32G473 Mx	STM32G473 Vx	STM32G473 Qx
12-bit DAC Number of channels	4 7 (3 external + 4 internal)				
Internal voltage reference buffer	Yes				
Analog comparator	7				
Operational amplifiers	6				
Max. CPU frequency	170 MHz				
Operating voltage	1.71 V to 3.6 V				
Operating temperature	Ambient operating temperature: -40 to 85 °C / -40 to 125 °C				
Packages	LQFP48/ UFQFPN48	LQFP64	WLCSP81 LQFP80	LQFP100/ TFBGA100	LQFP128

1. For the LQFP100 package, only FMC bank1 and NAND bank are available. Bank1 can only support a multiplexed NOR/PSRAM memory using the NE1 chip select.
2. The SPI2/3 interfaces can work in an exclusive way in either the SPI mode or the I2S audio mode.

Figure 1. STM32G473xB/xC/xE block diagram



1. AF: alternate function on I/O pins.



## 3 Functional overview

### 3.1 Arm<sup>®</sup> Cortex<sup>®</sup>-M4 core with FPU

The Arm<sup>®</sup> Cortex<sup>®</sup>-M4 with FPU processor is the latest generation of Arm processors for embedded systems. It was developed to provide a low-cost platform that meets the needs of the MCU implementation, with a reduced pin count and with low-power consumption, while delivering outstanding computational performance and an advanced response to interrupts.

The Arm<sup>®</sup> Cortex<sup>®</sup>-M4 with FPU 32-bit RISC processor features an exceptional code-efficiency, delivering the expected high-performance from an Arm core in a memory size usually associated with 8-bit and 16-bit devices.

The processor supports a set of DSP instructions which allows an efficient signal processing and a complex algorithm execution. Its single precision FPU speeds up the software development by using metalanguage development tools to avoid saturation.

With its embedded Arm core, the STM32G473xB/xC/xE family is compatible with all Arm tools and software.

*Figure 1* shows the general block diagram of the STM32G473xB/xC/xE devices.

### 3.2 Adaptive real-time memory accelerator (ART accelerator)

The ART accelerator is a memory accelerator that is optimized for the STM32 industry-standard Arm<sup>®</sup> Cortex<sup>®</sup>-M4 processors. It balances the inherent performance advantage of the Arm<sup>®</sup> Cortex<sup>®</sup>-M4 over Flash memory technologies, which normally requires the processor to wait for the Flash memory at higher frequencies.

### 3.3 Memory protection unit

The memory protection unit (MPU) is used to manage the CPU accesses to the memory and to prevent one task to accidentally corrupt the memory or the resources used by any other active task. This memory area is organized into up to 8 protected areas, which can be divided in up into 8 subareas each. The protection area sizes range between 32 bytes and the whole 4 gigabytes of addressable memory.

The MPU is especially helpful for applications where some critical or certified code has to be protected against the misbehavior of other tasks. It is usually managed by an RTOS (real-time operating system). If a program accesses a memory location that is prohibited by the MPU, the RTOS can detect it and take action. In an RTOS environment, the kernel can dynamically update the MPU area setting based on the process to be executed.

The MPU is optional and can be bypassed for applications that do not need it.

## 3.4 Embedded Flash memory

The STM32G473xB/xC/xE devices feature 512 kbytes of embedded Flash memory which is available for storing programs and data.

The Flash interface features:

- Single or dual bank operating modes
- Read-while-write (RWW) in dual bank mode

This feature allows to perform a read operation from one bank while an erase or program operation is performed to the other bank. The dual bank boot is also supported.

Flexible protections can be configured thanks to the option bytes:

- Readout protection (RDP) to protect the whole memory. Three levels of protection are available:
  - Level 0: no readout protection
  - Level 1: memory readout protection; the Flash memory cannot be read from or written to if either the debug features are connected or the boot in RAM or bootloader are selected
  - Level 2: chip readout protection; the debug features (Cortex-M4 JTAG and serial wire), the boot in RAM and the bootloader selection are disabled (JTAG fuse). This selection is irreversible.
- Write protection (WRP): the protected area is protected against erasing and programming.
- Proprietary code readout protection (PCROP): a part of the Flash memory can be protected against read and write from third parties. The protected area is execute-only and it can only be reached by the STM32 CPU as an instruction code, while all other accesses (DMA, debug and CPU data read, write and erase) are strictly prohibited. An additional option bit (PCROP\_RDP) allows to select if the PCROP area is erased or not when the RDP protection is changed from Level 1 to Level 0.
- Securable memory area: a part of Flash memory can be configured by option bytes to be securable. After reset this securable memory area is not secured and it behaves like the remainder of main Flash memory (execute, read, write access). When secured, any access to this securable memory area generates corresponding read/write error. Purpose of the Securable memory area is to protect sensitive code and data (secure keys storage) which can be executed only once at boot, and never again unless a new reset occurs.

The Flash memory embeds the error correction code (ECC) feature supporting:

- Single error detection and correction
- Double error detection
- The address of the ECC fail can be read in the ECC register
- 1 Kbyte (128 double word) OTP (one-time programmable) bytes for user data. The OTP area is available in Bank 1 only. The OTP data cannot be erased and can be written only once.

### 3.5 Embedded SRAM

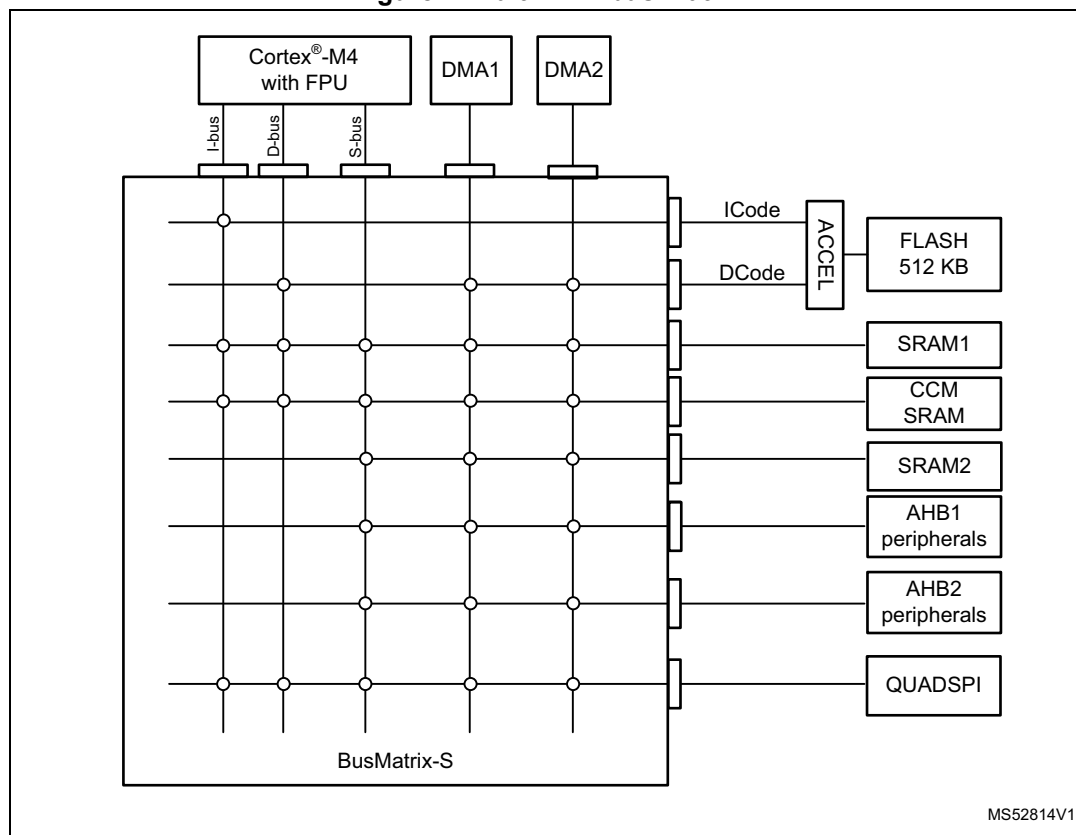
STM32G473xB/xC/xE devices feature 128 Kbytes of embedded SRAM. This SRAM is split into three blocks:

- 80 Kbytes mapped at address 0x2000 0000 (SRAM1). The CM4 can access the SRAM1 through the System Bus. The first 32 Kbyte of SRAM1 support hardware parity check.
- 16 Kbytes mapped at address 0x2001 4000 (SRAM2). The CM4 can access the SRAM2 through the System bus. SRAM2 can be retained in standby modes.
- 32 Kbytes mapped at address 0x1000 0000 (CCM SRAM). It is accessed by the CPU through I-Code/D-Code bus for maximum performance. It is also aliased at 0x2001 8000 address to be accessed by all masters (CPU, DMA1, DMA2) through SBUS contiguously to SRAM1 and SRAM2. The CCM SRAM supports hardware parity check and can be write-protected with 1 Kbyte granularity.
- The memory can be accessed in read/write at max CPU clock speed with 0 wait states.

### 3.6 Multi-AHB bus matrix

The 32-bit multi-AHB bus matrix interconnects all the masters (CPU, DMAs) and the slaves (Flash memory, RAM, FSMC, QUADSPI, AHB and APB peripherals). It also ensures a seamless and efficient operation even when several high-speed peripherals work simultaneously.

Figure 2. Multi-AHB bus matrix



## 3.7 Boot modes

At startup, a BOOT0 pin (or nBOOT0 option bit) and an nBOOT1 option bit are used to select one of three boot options:

- Boot from user Flash
- Boot from system memory
- Boot from embedded SRAM

The BOOT0 value may come from the PB8-BOOT0 pin or from an nBOOT0 option bit depending on the value of a user nBOOT\_SEL option bit to free the GPIO pad if needed.

The boot loader is located in the system memory. It is used to reprogram the Flash memory by using USART, I2C, SPI, and USB through the DFU (device firmware upgrade).

## 3.8 CORDIC

The CORDIC provides hardware acceleration of certain mathematical functions, notably trigonometric, commonly used in motor control, metering, signal processing and many other applications.

It speeds up the calculation of these functions compared to a software implementation, allowing a lower operating frequency, or freeing up processor cycles in order to perform other tasks.

### Cordic features

- 24-bit CORDIC rotation engine
- Circular and Hyperbolic modes
- Rotation and Vectoring modes
- Functions: Sine, Cosine, Sinh, Cosh, Atan, Atan2, Atanh, Modulus, Square root, Natural logarithm
- Programmable precision up to 20-bit
- Fast convergence: 4 bits per clock cycle
- Supports 16-bit and 32-bit fixed point input and output formats
- Low latency AHB slave interface
- Results can be read as soon as ready without polling or interrupt
- DMA read and write channels

## 3.9 Filter mathematical accelerator (FMAC)

The filter mathematical accelerator unit performs arithmetic operations on vectors. It comprises a multiplier/accumulator (MAC) unit, together with address generation logic, which allows it to index vector elements held in local memory.

The unit includes support for circular buffers on input and output, which allows digital filters to be implemented. Both finite and infinite impulse response filters can be realized.

The unit allows frequent or lengthy filtering operations to be offloaded from the CPU, freeing up the processor for other tasks. In many cases it can accelerate such calculations compared to a software implementation, resulting in a speed-up of time critical tasks.

### FMAC features

- 16 x 16-bit multiplier
- 24+2-bit accumulator with addition and subtraction
- 16-bit input and output data
- 256 x 16-bit local memory
- Up to three areas can be defined in memory for data buffers (two input, one output), defined by programmable base address pointers and associated size registers
- Input and output sample buffers can be circular
- Buffer “watermark” feature reduces overhead in interrupt mode
- Filter functions: FIR, IIR (direct form 1)
- AHB slave interface
- DMA read and write data channels

## 3.10 Cyclic redundancy check calculation unit (CRC)

The CRC (cyclic redundancy check) calculation unit is used to get a CRC code using a configurable generator with polynomial value and size.

Among other applications, the CRC-based techniques are used to verify data transmission or storage integrity. In the scope of the EN/IEC 60335-1 standard, they offer a mean to verify the Flash memory integrity.

The CRC calculation unit helps to compute a signature of the software during runtime, which can be ulteriorly compared with a reference signature generated at link-time and which can be stored at a given memory location.

## 3.11 Power supply management

### 3.11.1 Power supply schemes

The STM32G473xB/xC/xE devices require a 1.71 V to 3.6 V  $V_{DD}$  operating voltage supply. Several independent supplies, can be provided for specific peripherals:

- $V_{DD} = 1.71 \text{ V to } 3.6 \text{ V}$   
 $V_{DD}$  is the external power supply for the I/Os, the internal regulator and the system analog such as reset, power management and internal clocks. It is provided externally through the VDD pins.
- $V_{DDA} = 1.62 \text{ V to } 3.6 \text{ V}$  (see [Section 5: Electrical characteristics](#) for the minimum  $V_{DDA}$  voltage required for ADC, DAC, COMP, OPAMP, VREFBUF operation).  
 $V_{DDA}$  is the external analog power supply for A/D converters, D/A converters, voltage reference buffer, operational amplifiers and comparators. The  $V_{DDA}$  voltage level is independent from the  $V_{DD}$  voltage and should preferably be connected to  $V_{DD}$  when these peripherals are not used.

- $V_{BAT} = 1.55 \text{ V to } 3.6 \text{ V}$   
 $V_{BAT}$  is the power supply for RTC, external clock 32 kHz oscillator and backup registers (through power switch) when  $V_{DD}$  is not present.
- $V_{REF-}$ ,  $V_{REF+}$   
 $V_{REF+}$  is the input reference voltage for ADCs and DACs. It is also the output of the internal voltage reference buffer when enabled.  
 When  $V_{DDA} < 2 \text{ V}$   $V_{REF+}$  must be equal to  $V_{DDA}$ .  
 When  $V_{DDA} \geq 2 \text{ V}$   $V_{REF+}$  must be between 2 V and  $V_{DDA}$ .  
 The internal voltage reference buffer supports three output voltages, which are configured with VRS bits in the VREFBUF\_CSR register:
  - $V_{REF+} = 2.048 \text{ V}$
  - $V_{REF+} = 2.5 \text{ V}$
  - $V_{REF+} = 2.95 \text{ V}$ $V_{REF-}$  is double bonded with  $V_{SSA}$ .

### 3.11.2 Power supply supervisor

The device has an integrated ultra-low-power brown-out reset (BOR) active in all modes (except for Shutdown mode). The BOR ensures proper operation of the device after power-on and during power down. The device remains in reset mode when the monitored supply voltage  $V_{DD}$  is below a specified threshold, without the need for an external reset circuit.

The lowest BOR level is 1.71 V at power on, and other higher thresholds can be selected through option bytes. The device features an embedded programmable voltage detector (PVD) that monitors the  $V_{DD}$  power supply and compares it to the VPVD threshold. An interrupt can be generated when  $V_{DD}$  drops below the VPVD threshold and/or when  $V_{DD}$  is higher than the VPVD threshold. The interrupt service routine can then generate a warning message and/or put the MCU into a safe state. The PVD is enabled by software.

In addition, the device embeds a peripheral voltage monitor which compares the independent supply voltages  $V_{DDA}$ , with a fixed threshold in order to ensure that the peripheral is in its functional supply range.

### 3.11.3 Voltage regulator

Two embedded linear voltage regulators, main regulator (MR) and low-power regulator (LPR), supply most of digital circuitry in the device. The MR is used in Run and Sleep modes. The LPR is used in Low-power run, Low-power sleep and Stop modes. In Standby and Shutdown modes, both regulators are powered down and their outputs set in high-impedance state, such as to bring their current consumption close to zero.

The device supports dynamic voltage scaling to optimize its power consumption in Run mode. the voltage from the main regulator that supplies the logic (VCORE) can be adjusted according to the system's maximum operating frequency.

The main regulator (MR) operates in the following ranges:

- Range 1 boost mode with the CPU running at up to 170 MHz.
- Range 1 normal mode with CPU running at up to 150 MHz.
- Range 2 with a maximum CPU frequency of 26 MHz.

### 3.11.4 Low-power modes

By default, the microcontroller is in Run mode after system or power Reset. It is up to the user to select one of the low-power modes described below:

- **Sleep mode:** In Sleep mode, only the CPU is stopped. All peripherals continue to operate and can wake up the CPU when an interrupt/event occurs.
- **Low-power run mode:** This mode is achieved with VCORE supplied by the low-power regulator to minimize the regulator's operating current. The code can be executed from SRAM or from Flash, and the CPU frequency is limited to 2 MHz. The peripherals with independent clock can be clocked by HSI16.
- **Low-power sleep mode:** This mode is entered from the low-power run mode. Only the CPU clock is stopped. When wakeup is triggered by an event or an interrupt, the system reverts to the Low power run mode.
- **Stop mode:** In Stop mode, the device achieves the lowest power consumption while retaining the SRAM and register contents. All clocks in the VCORE domain are stopped. The PLL, as well as the HSI16 RC oscillator and the HSE crystal oscillator are disabled. The LSE or LSI keep running. The RTC can remain active (Stop mode with RTC, Stop mode without RTC). Some peripherals with wakeup capability can enable the HSI16 RC during Stop mode, so as to get clock for processing the wakeup event.
- **Standby mode:** The Standby mode is used to achieve the lowest power consumption with brown-out reset, BOR. The internal regulator is switched off to power down the VCORE domain. The PLL, as well as the HSI16 RC oscillator and the HSE crystal oscillator are also powered down. The RTC can remain active (Standby mode with RTC, Standby mode without RTC). The BOR always remains active in Standby mode. For each I/O, the software can determine whether a pull-up, a pull-down or no resistor shall be applied to that I/O during Standby mode. Upon entering Standby mode, SRAM and register contents are lost except for registers in the RTC domain and standby circuitry. The device exits Standby mode upon external reset event (NRST pin), IWDG reset event, wakeup event (WKUP pin, configurable rising or falling edge) or RTC event (alarm, periodic wakeup, timestamp, tamper), or when a failure is detected on LSE (CSS on LSE).
- **Shutdown mode:** The Shutdown mode allows to achieve the lowest power consumption. The internal regulator is switched off to power down the VCORE domain. The PLL, as well as the HSI16 and LSI RC-oscillators and HSE crystal oscillator are also powered down. The RTC can remain active (Shutdown mode with RTC, Shutdown mode without RTC). The BOR is not available in Shutdown mode. No power voltage monitoring is possible in this mode. Therefore, switching to RTC domain is not supported. SRAM and register contents are lost except for registers in the RTC domain. The device exits Shutdown mode upon external reset event (NRST pin), IWDG reset event, wakeup event (WKUP pin, configurable rising or falling edge) or RTC event (alarm, periodic wakeup, timestamp, tamper).

### 3.11.5 Reset mode

In order to improve the consumption under reset, the I/Os state under and after reset is “analog state” (the I/O schmitt trigger is disabled). In addition, the internal reset pull-up is deactivated when the reset source is internal.

### 3.11.6 V<sub>BAT</sub> operation

The V<sub>BAT</sub> pin allows to power the device V<sub>BAT</sub> domain from an external battery, an external supercapacitor, or from V<sub>DD</sub> when there is no external battery and when an external supercapacitor is present. The V<sub>BAT</sub> pin supplies the RTC with LSE and the backup registers. Three anti-tamper detection pins are available in V<sub>BAT</sub> mode.

The V<sub>BAT</sub> operation is automatically activated when V<sub>DD</sub> is not present. An internal V<sub>BAT</sub> battery charging circuit is embedded and can be activated when V<sub>DD</sub> is present.

*Note:* When the microcontroller is supplied from V<sub>BAT</sub>, neither external interrupts nor RTC alarm/events exit the microcontroller from the V<sub>BAT</sub> operation.



### 3.12 Interconnect matrix

Several peripherals have direct connections between them. This allows autonomous communication between peripherals, saving CPU resources thus power supply consumption. In addition, these hardware connections allow fast and predictable latency.

Depending on peripherals, these interconnections can operate in Run, Sleep and Stop modes.

**Table 3. STM32G473xB/xC/xE peripherals interconnect matrix**

Interconnect source	Interconnect destination	Interconnect action	Run	Sleep	Low-power run	Low-power sleep	Stop
TIMx	TIMx	Timers synchronization or chaining	Y	Y	Y	Y	-
	ADCx DACx	Conversion triggers	Y	Y	Y	Y	-
	DMA	Memory to memory transfer trigger	Y	Y	Y	Y	-
	COMPx	Comparator output blanking	Y	Y	Y	Y	-
TIM16/TIM17	IRTIM	Infrared interface output generation	Y	Y	Y	Y	-
COMPx	TIM1, 8, 20 TIM2, 3, 4, 5	Timer input channel, trigger, break from analog signals comparison	Y	Y	Y	Y	-
	LPTIMER1	Low-power timer triggered by analog signals comparison	Y	Y	Y	Y	Y
ADCx	TIM1, 8, 20	Timer triggered by analog watchdog	Y	Y	Y	Y	-
RTC	TIM16	Timer input channel from RTC events	Y	Y	Y	Y	-
	LPTIMER1	Low-power timer triggered by RTC alarms or tampers	Y	Y	Y	Y	Y
All clocks sources (internal and external)	TIM5, TIM15, 16, 17	Clock source used as input channel for RC measurement and trimming	Y	Y	Y	Y	-
USB	TIM2	Timer triggered by USB SOF	Y	Y	-	-	-
CSS RAM (parity error) Flash memory (ECC error) COMPx PVD	TIM1,8, 20 TIM15,16,17	Timer break	Y	Y	Y	Y	-
CPU (hard fault)	TIM1,8,20 TIM15/16/17	Timer break	Y	Y	Y	Y	-

Table 3. STM32G473xB/xC/xE peripherals interconnect matrix (continued)

Interconnect source	Interconnect destination	Interconnect action	Run	Sleep	Low-power run	Low-power sleep	Stop
GPIO	TIMx	External trigger	Y	Y	Y	Y	-
	LPTIMER1	External trigger	Y	Y	Y	Y	Y
	ADCx DACx	Conversion external trigger	Y	Y	Y	Y	-

### 3.13 Clocks and startup

The clock controller distributes the clocks coming from different oscillators to the core and the peripherals. It also manages clock gating for low-power modes and ensures clock robustness. It features:

- **Clock prescaler:** to get the best trade-off between speed and current consumption, the clock frequency to the CPU and peripherals can be adjusted by a programmable prescaler
- **Safe clock switching:** clock sources can be changed safely on the fly in run mode through a configuration register.
- **Clock management:** to reduce power consumption, the clock controller can stop the clock to the core, individual peripherals or memory.
- **System clock source:** three different sources can deliver SYSCLOCK system clock:
  - 4 - 48 MHz high-speed oscillator with external crystal or ceramic resonator (HSE). It can supply clock to system PLL. The HSE can also be configured in bypass mode for an external clock.
  - 16 MHz high-speed internal RC oscillator (HSI16), trimmable by software. It can supply clock to system PLL.
  - System PLL with maximum output frequency of 170 MHz. It can be fed with HSE or HSI16 clocks.
- **Auxiliary clock source:** two ultra-low-power clock sources for the real-time clock (RTC):
  - 32.768 kHz low-speed oscillator with external crystal (LSE), supporting four drive capability modes. The LSE can also be configured in bypass mode for using an external clock.
  - 32 kHz low-speed internal RC oscillator (LSI) with  $\pm 5\%$  accuracy, also used to clock an independent watchdog.
- **Peripheral clock sources:** several peripherals (I2S, USART, I2C, LPTimer, ADC, SAI, RNG) have their own clock independent of the system clock.
- **Clock security system (CSS):** in the event of HSE clock failure, the system clock is automatically switched to HSI16 and, if enabled, a software interrupt is generated. LSE clock failure can also be detected and generate an interrupt.
- Clock-out capability:
  - **MCO:** microcontroller clock output: it outputs one of the internal clocks for external use by the application
  - **LSCO: low speed clock output:** it outputs LSI or LSE in all low-power modes.

Several prescalers allow to configure the AHB frequency, the High-speed APB (APB2) and the low speed APB (APB1) domains. The maximum frequency of the AHB and the APB domains is 170 MHz.

### 3.14 General-purpose inputs/outputs (GPIOs)

Each of the GPIO pins can be configured by software as output (push-pull or open-drain), as input (with or without pull-up or pull-down) or as peripheral alternate function. Most of the GPIO pins are shared with digital or analog alternate functions. Fast I/O toggling can be achieved thanks to their mapping on the AHB2 bus.

The I/Os alternate function configuration can be locked if needed following a specific sequence in order to avoid spurious writing to the I/Os registers.

### 3.15 Direct memory access controller (DMA)

The device embeds 2 DMAs. Refer to [Table 4: DMA implementation](#) for the features implementation.

Direct memory access (DMA) is used in order to provide a high-speed data transfer between peripherals and memory as well as from memory to memory. Data can be quickly moved by DMA without any CPU actions. This keeps the CPU resources free for other operations.

The two DMA controllers have 16 channels in total, each one dedicated to manage memory access requests from one or more peripherals. Each controller has an arbiter for handling the priority between DMA requests.

The DMA supports:

- 16 independently configurable channels (requests)
  - Each channel is connected to a dedicated hardware DMA request, a software trigger is also supported on each channel. This configuration is done by software.
- Priorities between requests from channels of one DMA are both software programmable (4 levels: very high, high, medium, low) or hardware programmable in case of equality (request 1 has priority over request 2, etc.)
- Independent source and destination transfer size (byte, half word, word), emulating packing and unpacking. Source/destination addresses must be aligned on the data size.
- Support for circular buffer management
- 3 event flags (DMA half transfer, DMA transfer complete and DMA transfer error) logically ORed together in a single interrupt request for each channel
- Memory-to-memory transfer
- Peripheral-to-memory, memory-to-peripheral, and peripheral-to-peripheral transfers
- Access to Flash, SRAM, APB and AHB peripherals as source and destination
- Programmable number of data to be transferred: up to 65536.

**Table 4. DMA implementation**

DMA features	DMA1	DMA2
Number of regular channels	8	8

## 3.16 DMA request router (DMAMux)

When a peripheral indicates a request for DMA transfer by setting its DMA request line, the DMA request is pending until it is served and the corresponding DMA request line is reset. The DMA request router allows to route the DMA control lines between the peripherals and the DMA controllers of the product.

An embedded multi-channel DMA request generator can be considered as one of such peripherals. The routing function is ensured by a multi-channel DMA request line multiplexer. Each channel selects a unique set of DMA control lines, unconditionally or synchronously with events on synchronization inputs.

For simplicity, the functional description is limited to DMA request lines. The other DMA control lines are not shown in figures or described in the text. The DMA request generator produces DMA requests following events on DMA request trigger inputs.

## 3.17 Interrupts and events

### 3.17.1 Nested vectored interrupt controller (NVIC)

The STM32G473xB/xC/xE devices embed a nested vectored interrupt controller which is able to manage 16 priority levels, and to handle up to 102 maskable interrupt channels plus the 16 interrupt lines of the Cortex<sup>®</sup>-M4.

The NVIC benefits are the following:

- Closely coupled NVIC gives low latency interrupt processing
- Interrupt entry vector table address passed directly to the core
- Allows early processing of interrupts
- Processing of late arriving higher priority interrupts
- Support for tail chaining
- Processor state automatically saved
- Interrupt entry restored on interrupt exit with no instruction overhead

The NVIC hardware block provides flexible interrupt management features with minimal interrupt latency.

### 3.17.2 Extended interrupt/event controller (EXTI)

The extended interrupt/event controller consists of 44 edge detector lines used to generate interrupt/event requests and to wake-up the system from the Stop mode. Each external line can be independently configured to select the trigger event (rising edge, falling edge, both) and can be masked independently.

A pending register maintains the status of the interrupt requests. The internal lines are connected to peripherals with wakeup from Stop mode capability. The EXTI can detect an external line with a pulse width shorter than the internal clock period. Up to 107 GPIOs can be connected to the 16 external interrupt lines.

## 3.18 Analog-to-digital converter (ADC)

The device embeds five successive approximation analog-to-digital converters with the following features:

- 12-bit native resolution, with built-in calibration
- 4 Msps maximum conversion rate with full resolution
  - Down to 41.67 ns sampling time
  - Increased conversion rate for lower resolution (up to 6.66 Msps for 6-bit resolution)
- One external reference pin is available on all packages, allowing the input voltage range to be independent from the power supply
- Single-ended and differential mode inputs
- Low-power design
  - Capable of low-current operation at low conversion rate (consumption decreases linearly with speed)
  - Dual clock domain architecture: ADC speed independent from CPU frequency
- Highly versatile digital interface
  - Single-shot or continuous/discontinuous sequencer-based scan mode: 2 groups of analog signals conversions can be programmed to differentiate background and high-priority real-time conversions
  - Each ADC support multiple trigger inputs for synchronization with on-chip timers and external signals
  - Results stored into a data register or in RAM with DMA controller support
  - Data pre-processing: left/right alignment and per channel offset compensation
  - Built-in oversampling unit for enhanced SNR
  - Channel-wise programmable sampling time
  - Analog watchdog for automatic voltage monitoring, generating interrupts and trigger for selected timers
  - Hardware assistant to prepare the context of the injected channels to allow fast context switching
  - Flexible sample time control
  - Hardware gain and offset compensation

### 3.18.1 Temperature sensor

The temperature sensor (TS) generates a voltage  $V_{TS}$  that varies linearly with temperature. The temperature sensor is internally connected to the ADCs input channels which is used to convert the sensor output voltage into a digital value.

The sensor provides good linearity but it has to be calibrated to obtain good overall accuracy of the temperature measurement. As the offset of the temperature sensor varies from chip to chip due to process variation, the uncalibrated internal temperature sensor is suitable for applications that detect temperature changes only.

To improve the accuracy of the temperature sensor measurement, each device is individually factory-calibrated by ST. The temperature sensor factory calibration data are stored by ST in the system memory area, accessible in read-only mode.

**Table 5. Temperature sensor calibration values**

Calibration value name	Description	Memory address
TS_CAL1	TS ADC raw data acquired at a temperature of 30 °C (± 5 °C), $V_{DDA} = V_{REF+} = 3.0\text{ V} (\pm 10\text{ mV})$	0x1FFF 75A8 - 0x1FFF 75A9
TS_CAL2	TS ADC raw data acquired at a temperature of 110 °C (± 5 °C), $V_{DDA} = V_{REF+} = 3.0\text{ V} (\pm 10\text{ mV})$	0x1FFF 75CA - 0x1FFF 75CB

**3.18.2 Internal voltage reference ( $V_{REFINT}$ )**

The internal voltage reference ( $V_{REFINT}$ ) provides a stable (bandgap) voltage output for the ADC and the comparators. The  $V_{REFINT}$  is internally connected to the  $ADCx\_IN18$ ,  $x = 1,3,4,5$  input channel. The precise voltage of  $V_{REFINT}$  is individually measured for each part by ST during production test and stored in the system memory area. It is accessible in read-only mode.

**Table 6. Internal voltage reference calibration values**

Calibration value name	Description	Memory address
$V_{REFINT}$	Raw data acquired at a temperature of 30 °C (± 5 °C), $V_{DDA} = V_{REF+} = 3.0\text{ V} (\pm 10\text{ mV})$	0x1FFF 75AA - 0x1FFF 75AB

**3.18.3  $V_{BAT}$  battery voltage monitoring**

This embedded hardware enables the application to measure the  $V_{BAT}$  battery voltage using the internal  $ADC1\_IN17$  channel. As the  $V_{BAT}$  voltage may be higher than the  $V_{DDA}$ , and thus outside the ADC input range, the  $V_{BAT}$  pin is internally connected to a bridge divider by 3. As a consequence, the converted digital value is one third of the  $V_{BAT}$  voltage.

**3.18.4 Operational amplifier internal output ( $OPAMPxINT$ ):**

The  $OPAMPx$  ( $x = 1...6$ ) output  $OPAMPxINT$  can be sampled using an  $ADCx$  ( $x = 1...5$ ) internal input channel. In this case, the I/O on which the  $OPAMPx$  output is mapped can be used as GPIO.

**3.19 Digital to analog converter (DAC)**

Seven 12 bit DAC channels (3 external buffered and 4 internal unbuffered) can be used to convert digital signals into analog voltage signal outputs. The chosen design structure is composed of integrated resistor strings and an amplifier in inverting configuration.

This digital interface supports the following features:

- Up to two DAC output channels
- 8-bit or 12-bit output mode
- Buffer offset calibration (factory and user trimming)
- Left or right data alignment in 12-bit mode
- Synchronized update capability
- Noise-wave generation
- Triangular-wave generation
- Saw tooth wave generation
- Dual DAC channel independent or simultaneous conversions
- DMA capability for each channel
- External triggers for conversion
- Sample and hold low-power mode, with internal or external capacitor
- Up to 1 Msps for external output and 15 Msps for internal output

The DAC channels are triggered through the timer update outputs that are also connected to different DMA channels.

### 3.20 Voltage reference buffer ( $V_{REFBUF}$ )

The STM32G473xB/xC/xE devices embed a voltage reference buffer which can be used as voltage reference for ADC, DACs and also as voltage reference for external components through the VREF+ pin.

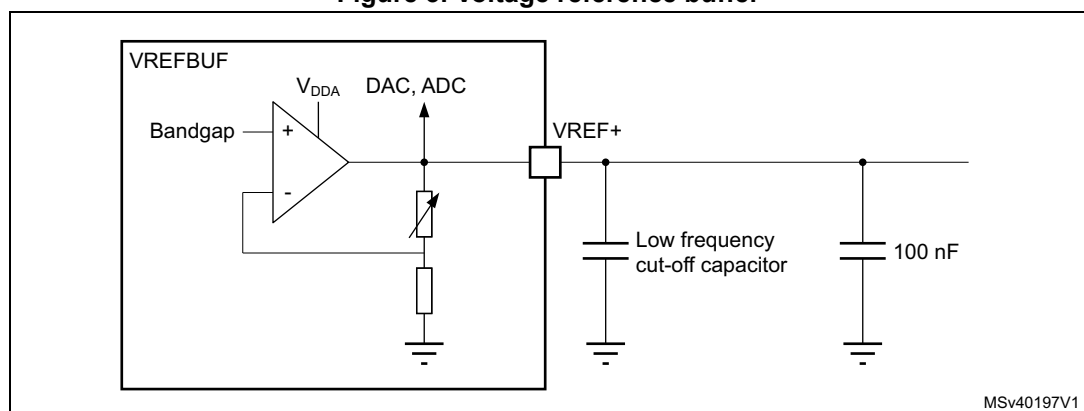
The internal voltage reference buffer supports three voltages:

- 2.048 V
- 2.5 V
- 2.9 V

An external voltage reference can be provided through the VREF+ pin when the internal voltage reference buffer is off.

The VREF+ pin is double-bonded with  $V_{DDA}$  on some packages. In these packages the internal voltage reference buffer is not available.

**Figure 3. Voltage reference buffer**





### 3.21 Comparators (COMP)

The STM32G473xB/xC/xE devices embed seven rail-to-rail comparators with programmable reference voltage (internal or external), hysteresis.

The reference voltage can be one of the following:

- External I/O
- DAC output channels
- Internal reference voltage or submultiple (1/4, 1/2, 3/4).

All comparators can wake up from Stop mode, generate interrupts and breaks for the timers.

### 3.22 Operational amplifier (OPAMP)

The STM32G473xB/xC/xE devices embed six operational amplifiers with external or internal follower routing and PGA capability.

The operational amplifier features:

- 13 MHz bandwidth
- Rail-to-rail input/output
- PGA with a non-inverting gain ranging of 2, 4, 8, 16, 32 or 64 or inverting gain ranging of -1, -3, -7, -15, -31 or -63

### 3.23 Random number generator (RNG)

All devices embed an RNG that delivers 32-bit random numbers generated by an integrated analog circuit.

### 3.24 Timers and watchdogs

The STM32G473xB/xC/xE devices include three advanced motor control timers, up to nine general-purpose timers, two basic timers, one low-power timer, two watchdog timers and a SysTick timer. The table below compares the features of the advanced motor control, general purpose and basic timers.

**Table 7. Timer feature comparison**

Timer type	Timer	Counter resolution	Counter type	Prescaler factor	DMA request generation	Capture/compare channels	Complementary outputs
Advanced motor control	TIM1, TIM8, TIM20	16-bit	Up, down, Up/down	Any integer between 1 and 65536	Yes	4	4
General-purpose	TIM2, TIM5	32-bit	Up, down, Up/down	Any integer between 1 and 65536	Yes	4	No
General-purpose	TIM3, TIM4	16-bit	Up, down, Up/down	Any integer between 1 and 65536	Yes	4	No

Table 7. Timer feature comparison (continued)

Timer type	Timer	Counter resolution	Counter type	Prescaler factor	DMA request generation	Capture/compare channels	Complementary outputs
General-purpose	TIM15	16-bit	Up	Any integer between 1 and 65536	Yes	2	1
General-purpose	TIM16, TIM17	16-bit	Up	Any integer between 1 and 65536	Yes	1	1
Basic	TIM6, TIM7	16-bit	Up	Any integer between 1 and 65536	Yes	0	No

### 3.24.1 Advanced motor control timer (TIM1, TIM8, TIM20)

The advanced motor control timers can each be seen as a four-phase PWM multiplexed on 8 channels. They have complementary PWM outputs with programmable inserted dead-times. They can also be seen as complete general-purpose timers.

The 4 independent channels can be used for:

- Input capture
- Output compare
- PWM generation (edge or center-aligned modes) with full modulation capability (0-100%)
- One-pulse mode output

In debug mode, the advanced motor control timer counter can be frozen and the PWM outputs disabled in order to turn off any power switches driven by these outputs.

Many features are shared with the general-purpose TIMx timers (described in [Section 3.24.2](#)) using the same architecture, so the advanced motor control timers can work together with the TIMx timers via the Timer Link feature for synchronization or event chaining.

### 3.24.2 General-purpose timers (TIM2, TIM3, TIM4, TIM5, TIM15, TIM16, TIM17)

There are up to seven synchronizable general-purpose timers embedded in the STM32G473xB/xC/xE devices (see [Table 7](#) for differences). Each general-purpose timer can be used to generate PWM outputs, or act as a simple time base.

- TIM2, TIM3, TIM4 and TIM5

They are full-featured general-purpose timers:

- TIM2 and TIM5 have a 32-bit auto-reload up/downcounter and 32-bit prescaler
- TIM3 and TIM4 have 16-bit auto-reload up/downcounter and 16-bit prescaler.

These timers feature 4 independent channels for input capture/output compare, PWM or one-pulse mode output. They can work together, or with the other general-purpose timers via the Timer Link feature for synchronization or event chaining.

The counters can be frozen in debug mode.

All have independent DMA request generation and support quadrature encoders.

- TIM15, 16 and 17

They are general-purpose timers with mid-range features:

They have 16-bit auto-reload upcounters and 16-bit prescalers.

- TIM15 has 2 channels and 1 complementary channel
- TIM16 and TIM17 have 1 channel and 1 complementary channel

All channels can be used for input capture/output compare, PWM or one-pulse mode output.

The timers can work together via the Timer Link feature for synchronization or event chaining. The timers have independent DMA request generation.

The counters can be frozen in debug mode.

### 3.24.3 Basic timers (TIM6 and TIM7)

The basic timers are mainly used for DAC trigger generation. They can also be used as generic 16-bit timebases.

### 3.24.4 Low-power timer (LPTIM1)

The devices embed a low-power timer. This timer has an independent clock and are running in Stop mode if it is clocked by LSE, LSI or an external clock. It is able to wakeup the system from Stop mode.

LPTIM1 is active in Stop mode.

This low-power timer supports the following features:

- 16-bit up counter with 16-bit autoreload register
- 16-bit compare register
- Configurable output: pulse, PWM
- Continuous/ one shot mode
- Selectable software/hardware input trigger
- Selectable clock source
  - Internal clock sources: LSE, LSI, HSI16 or APB clock
  - External clock source over LPTIM input (working even with no internal clock source running, used by pulse counter application).
- Programmable digital glitch filter
- Encoder mode

### 3.24.5 Independent watchdog (IWDG)

The independent watchdog is based on a 12-bit downcounter and an 8-bit prescaler. It is clocked from an independent 32 kHz internal RC (LSI) and as it operates independently from the main clock, it can operate in Stop and Standby modes. It can be used either as a watchdog to reset the device when a problem occurs, or as a free running timer for application timeout management. It is hardware or software configurable through the option bytes. The counter can be frozen in debug mode.

### 3.24.6 System window watchdog (WWDG)

The window watchdog is based on a 7-bit downcounter that can be set as free running. It can be used as a watchdog to reset the device when a problem occurs. It is clocked from the main clock. It has an early warning interrupt capability and the counter can be frozen in debug mode.

### 3.24.7 SysTick timer

This timer is dedicated to real-time operating systems, but could also be used as a standard down counter. It features:

- A 24-bit down counter
- Autoreload capability
- Maskable system interrupt generation when the counter reaches 0.
- Programmable clock source

### 3.25 Real-time clock (RTC) and backup registers

The RTC supports the following features:

- Calendar with subsecond, seconds, minutes, hours (12 or 24 format), week day, date, month, year, in BCD (binary-coded decimal) format.
- Automatic correction for 28, 29 (leap year), 30, and 31 days of the month.
- Two programmable alarms.
- On-the-fly correction from 1 to 32767 RTC clock pulses. This can be used to synchronize it with a master clock.
- Reference clock detection: a more precise second source clock (50 or 60 Hz) can be used to enhance the calendar precision.
- Digital calibration circuit with 0.95 ppm resolution, to compensate for quartz crystal inaccuracy.
- Timestamp feature which can be used to save the calendar content. This function can be triggered by an event on the timestamp pin, or by a tamper event, or by a switch to  $V_{BAT}$  mode.
- 17-bit auto-reload wakeup timer (WUT) for periodic events with programmable resolution and period.

The RTC is supplied through a switch that takes power either from the  $V_{DD}$  supply when present or from the VBAT pin.

The RTC clock sources can be:

- A 32.768 kHz external crystal (LSE)
- An external resonator or oscillator (LSE)
- The internal low power RC oscillator (LSI, with typical frequency of 32 kHz)
- The high-speed external clock (HSE) divided by 32.

The RTC is functional in  $V_{BAT}$  mode and in all low-power modes when it is clocked by the LSE. When clocked by the LSI, the RTC is not functional in  $V_{BAT}$  mode, but is functional in all low-power modes except Shutdown mode.

All RTC events (Alarm, WakeUp Timer, Timestamp) can generate an interrupt and wakeup the device from the low-power modes.

### 3.26 Tamper and backup registers (TAMP)

- 32 32-bit backup registers, retained in all low-power modes and also in  $V_{BAT}$  mode. They can be used to store sensitive data as their content is protected by a tamper detection circuit. They are not reset by a system or power reset, or when the device wakes up from Standby or Shutdown mode.
- Up to three tamper pins for external tamper detection events. The external tamper pins can be configured for edge detection, edge and level, level detection with filtering.
- Five internal tampers events.
- Any tamper detection can generate a RTC timestamp event.
- Any tamper detection erases the backup registers.
- Any tamper detection can generate an interrupt and wake-up the device from all low-power modes.

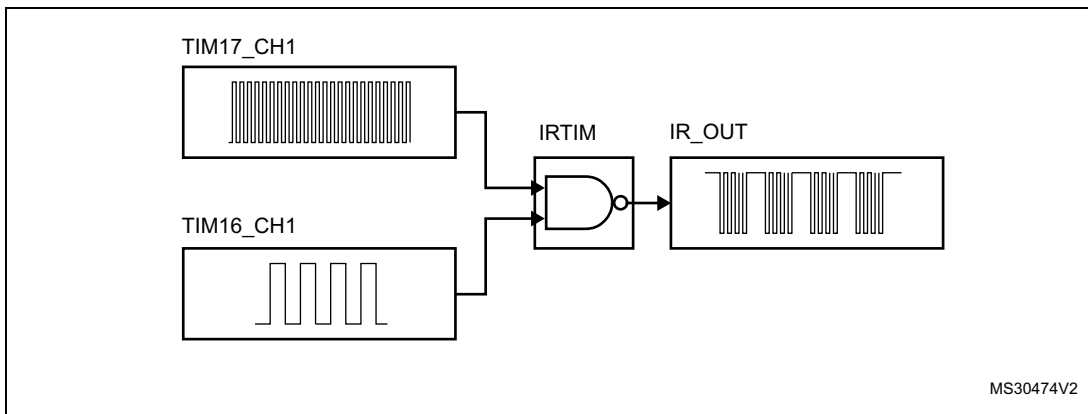
### 3.27 Infrared transmitter

The STM32G473xB/xC/xE devices provide an infrared transmitter solution. The solution is based on internal connections between TIM16 and TIM17 as shown in the figure below.

TIM17 is used to provide the carrier frequency and TIM16 provides the main signal to be sent. The infrared output signal is available on PB9 or PA13.

To generate the infrared remote control signals, TIM16 channel 1 and TIM17 channel 1 must be properly configured to generate correct waveforms. All standard IR pulse modulation modes can be obtained by programming the two timers output compare channels.

Figure 4. Infrared transmitter



### 3.28 Inter-integrated circuit interface (I<sup>2</sup>C)

The device embeds four I2Cs. Refer to [Table 8: I2C implementation](#) for the features implementation.

The I<sup>2</sup>C bus interface handles communications between the microcontroller and the serial I<sup>2</sup>C bus. It controls all I<sup>2</sup>C bus-specific sequencing, protocol, arbitration and timing.

The I2C peripheral supports:

- I<sup>2</sup>C-bus specification and user manual rev. 5 compatibility:
  - Slave and master modes, multimaster capability
  - Standard-mode (Sm), with a bitrate up to 100 kbit/s
  - Fast-mode (Fm), with a bitrate up to 400 kbit/s
  - Fast-mode Plus (Fm+), with a bitrate up to 1 Mbit/s and 20 mA output drive I/Os
  - 7-bit and 10-bit addressing mode, multiple 7-bit slave addresses
  - Programmable setup and hold times
  - Optional clock stretching
- System management bus (SMBus) specification rev 2.0 compatibility:
  - Hardware PEC (packet error checking) generation and verification with ACK control
  - Address resolution protocol (ARP) support
  - SMBus alert
- Power system management protocol (PMBus<sup>TM</sup>) specification rev 1.1 compatibility
- Independent clock: a choice of independent clock sources allowing the I2C communication speed to be independent from the PCLK reprogramming.
- Wakeup from Stop mode on address match
- Programmable analog and digital noise filters
- 1-byte buffer with DMA capability

**Table 8. I2C implementation**

I2C features <sup>(1)</sup>	I2C1	I2C2	I2C3	I2C4
Standard-mode (up to 100 kbit/s)	X	X	X	X
Fast-mode (up to 400 kbit/s)	X	X	X	X
Fast-mode Plus with 20mA output drive I/Os (up to 1 Mbit/s)	X	X	X	X
Programmable analog and digital noise filters	X	X	X	X
SMBus/PMBus hardware support	X	X	X	X
Independent clock	X	X	X	X
Wakeup from Stop mode on address match	X	X	X	X

1. X: supported

### 3.29 Universal synchronous/asynchronous receiver transmitter (USART)

The STM32G473xB/xC/xE devices have three embedded universal synchronous receiver transmitters (USART1, USART2 and USART3) and two universal asynchronous receiver transmitters (UART4, UART5).

These interfaces provide asynchronous communication, IrDA SIR ENDEC support, multiprocessor communication mode, single-wire half-duplex communication mode and have LIN master/slave capability. They provide hardware management of the CTS and RTS signals, and RS485 driver enable.

The USART1, USART2 and USART3 also provide a Smartcard mode (ISO 7816 compliant) and an SPI-like communication capability.

The USART comes with a Transmit FIFO (TXFIFO) and a Receive FIFO (RXFIFO). FIFO mode is enabled by software and is disabled by default.

All USART have a clock domain independent from the CPU clock, allowing the U(S)ARTx (x=1,2,3,4,5) to wake up the MCU from Stop mode. The wakeup from Stop mode can be done on:

- Start bit detection
- Any received data frame
- A specific programmed data frame
- Some specific TXFIFO/RXFIFO status interrupts when FIFO mode is enabled

All USART interfaces can be served by the DMA controller.

**Table 9. USART/UART/LPUART features**

USART modes/features <sup>(1)</sup>	USART1	USART2	USART3	UART4	UART5	LPUART1
Hardware flow control for modem	X	X	X	X	X	X
Continuous communication using DMA	X	X	X	X	X	X
Multiprocessor communication	X	X	X	X	X	X
Synchronous mode	X	X	X	-	-	-
Smartcard mode	X	X	X	-	-	-
Single-wire half-duplex communication	X	X	X	X	X	X
IrDA SIR ENDEC block	X	X	X	X	X	-
LIN mode	X	X	X	X	X	-
Dual clock domain	X	X	X	X	X	X
Wakeup from Stop mode	X	X	X	X	X	X
Receiver timeout interrupt	X	X	X	X	X	-
Modbus communication	X	X	X	X	X	-
Auto baud rate detection	X (4 modes)					-
Driver Enable	X	X	X	X	X	X
LPUART/USART data length	7, 8 and 9 bits					



Table 9. USART/UART/LPUART features (continued)

USART modes/features <sup>(1)</sup>	USART1	USART2	USART3	UART4	UART5	LPUART1
Tx/Rx FIFO				X		
Tx/Rx FIFO size				8		

1. X = supported.

### 3.30 Low-power universal asynchronous receiver transmitter (LPUART)

The STM32G473xB/xC/xE devices embed one Low-Power UART. The LPUART supports asynchronous serial communication with minimum power consumption. It supports half-duplex single-wire communication and modem operations (CTS/RTS). It allows multiprocessor communication.

The LPUART comes with a Transmit FIFO (TXFIFO) and a Receive FIFO (RXFIFO). FIFO mode is enabled by software and is disabled by default. It has a clock domain independent from the CPU clock, and can wakeup the system from Stop mode. The wake up from Stop mode can be done on:

- Start bit detection
- Any received data frame
- A specific programmed data frame
- Some specific TXFIFO/RXFIFO status interrupts when FIFO mode is enabled

Only a 32.768 kHz clock (LSE) is needed to allow LPUART communication up to 9600 baud. Therefore, even in Stop mode, the LPUART can wait for an incoming frame while having an extremely low energy consumption. Higher speed clock can be used to reach higher baudrates.

The LPUART interface can be served by the DMA controller.

### 3.31 Serial peripheral interface (SPI)

Four SPI interfaces allow communication up to 75 Mbits/s in master and up to 41 Mbits/s in slave, half-duplex, full-duplex and simplex modes. The 3-bit prescaler gives 8 master mode frequencies and the frame size is configurable from 4 bits to 16 bits. The SPI interfaces support NSS pulse mode, TI mode and hardware CRC calculation.

Two standard I<sup>2</sup>S interfaces (multiplexed with SPI2 and SPI3) supporting four different audio standards can operate as master or slave at half-duplex communication modes. They can be configured to transfer 16 and 24 or 32 bits with 16-bit or 32-bit data resolution and synchronized by a specific signal. Audio sampling frequency from 8 kHz up to 192 kHz can be set by 8-bit programmable linear prescaler. When operating in master mode it can output a clock for an external audio component at 256 times the sampling frequency.

All SPI interfaces can be served by the DMA controller.

### 3.32 Serial audio interfaces (SAI)

The device embeds 1 SAI. The SAI bus interface handles communications between the microcontroller and the serial audio protocol.

**SAI peripheral supports:**

- Two independent audio sub-blocks which can be transmitters or receivers with their respective FIFO.
- 8-word integrated FIFOs for each audio sub-block.
- Synchronous or asynchronous mode between the audio sub-blocks.
- Master or slave configuration independent for both audio sub-blocks.
- Clock generator for each audio block to target independent audio frequency sampling when both audio sub-blocks are configured in master mode.
- Data size configurable: 8-, 10-, 16-, 20-, 24-, 32-bit.
- Peripheral with large configurability and flexibility allowing to target as example the following audio protocol: I2S, LSB or MSB-justified, PCM/DSP, TDM, AC'97 and SPDIF out.
- Up to 16 slots available with configurable size and with the possibility to select which ones are active in the audio frame.
- Number of bits by frame may be configurable.
- Frame synchronization active level configurable (offset, bit length, level).
- First active bit position in the slot is configurable.
- LSB first or MSB first for data transfer.
- Mute mode.
- Stereo/Mono audio frame capability.
- Communication clock strobing edge configurable (SCK).
- Error flags with associated interrupts if enabled respectively.
  - Overrun and underrun detection.
  - Anticipated frame synchronization signal detection in slave mode.
  - Late frame synchronization signal detection in slave mode.
  - Codec not ready for the AC'97 mode in reception.
- Interruption sources when enabled:
  - Errors.
  - FIFO requests.
- DMA interface with 2 dedicated channels to handle access to the dedicated integrated FIFO of each SAI audio sub-block.

**Table 10. SAI implementation for the features implementation**

SAI features	Support <sup>(1)</sup>
I2S, LSB or MSB-justified, PCM/DSP, TDM, AC'97	X
Mute mode	X
Stereo/Mono audio frame capability	X
16 slots	X

**Table 10. SAI implementation for the features implementation (continued)**

SAI features	Support <sup>(1)</sup>
Data size configurable: 8-, 10-, 16-, 20-, 24-, 32-bit	X
FIFO size	X (8 word)
SPDIF	X

1. X: supported.

### 3.33 Controller area network (FDCAN1, FDCAN2, FDCAN3)

The controller area network (CAN) subsystem consists of three CAN modules and a shared message RAM memory.

The three CAN modules (FDCAN1, FDCAN2 and FDCAN3) are compliant with ISO 11898-1 (CAN protocol specification version 2.0 part A, B) and CAN FD protocol specification version 1.0.

A 3-Kbyte message RAM memory implements filters, receive FIFOs, receive buffers, transmit event FIFOs, transmit buffers. This message RAM is shared between the three FDCAN modules.

### 3.34 Universal serial bus (USB)

The STM32G473xB/xC/xE devices embed a full-speed USB device peripheral compliant with the USB specification version 2.0. The internal USB PHY supports USB FS signaling, embedded DP pull-up and also battery charging detection according to Battery Charging Specification Revision 1.2. The USB interface implements a full-speed (12 Mbit/s) function interface with added support for USB 2.0 Link Power Management. It has software-configurable endpoint setting with packet memory up-to 1 Kbyte and suspend/resume support. It requires a precise 48 MHz clock which can be generated from the internal main PLL (the clock source must use a HSE crystal oscillator) or by the internal 48 MHz oscillator in automatic trimming mode. The synchronization for this oscillator can be taken from the USB data stream itself (SOF signalization) which allows crystal less operation.

### 3.35 USB Type-C™ / USB Power Delivery controller (UCPD)

The device embeds one controller (UCPD) compliant with USB Type-C Rev. 1.2 and USB Power Delivery Rev. 3.0 specifications.

The controller uses specific I/Os supporting the USB Type-C and USB Power Delivery requirements, featuring:

- USB Type-C pull-up (Rp, all values) and pull-down (Rd) resistors
- “Dead battery” support
- USB Power Delivery message transmission and reception
- FRS (fast role swap) support

The digital controller handles notably:

- USB Type-C level detection with de-bounce, generating interrupts
- FRS detection, generating an interrupt
- Byte-level interface for USB Power Delivery payload, generating interrupts (DMA compatible)
- USB Power Delivery timing dividers (including a clock pre-scaler)
- CRC generation/checking
- 4b5b encode/decode
- Ordered sets (with a programmable ordered set mask at receive)
- Frequency recovery in receiver during preamble

The interface offers low-power operation compatible with Stop mode, maintaining the capacity to detect incoming USB Power Delivery messages and FRS signaling.

### 3.36 Clock recovery system (CRS)

The devices embed a special block which allows automatic trimming of the internal 48 MHz oscillator to guarantee its optimal accuracy over the whole device operational range. This automatic trimming is based on the external synchronization signal, which could be either derived from USB SOF signalization, from LSE oscillator, from an external signal on CRS\_SYNC pin or generated by user software. For faster lock-in during startup it is also possible to combine automatic trimming with manual trimming action.

### 3.37 Flexible static memory controller (FSMC)

The Flexible static memory controller (FSMC) includes two memory controllers:

- The NOR/PSRAM memory controller
- The NAND/memory controller

This memory controller is also named Flexible memory controller (FMC).

The main features of the FMC controller are the following:

- Interface with static-memory mapped devices including:
  - Static random access memory (SRAM)
  - NOR Flash memory/OneNAND Flash memory
  - PSRAM (4 memory banks)
  - NAND Flash memory with ECC hardware to check up to 8 Kbytes of data
  - Ferroelectric RAM (FRAM)
- 8-, 16- bit data bus width
- Independent Chip Select control for each memory bank
- Independent configuration for each memory bank
- Write FIFO
- The Maximum FMC\_CLK frequency for synchronous accesses is HCLK/2.

### LCD parallel interface

The FMC can be configured to interface seamlessly with most graphic LCD controllers. It supports the Intel 8080 and Motorola 6800 modes, and is flexible enough to adapt to specific LCD interfaces. This LCD parallel interface capability makes it easy to build cost effective graphic applications using LCD modules with embedded controllers or high performance solutions using external controllers with dedicated acceleration.

## 3.38 Quad SPI memory interface (QUADSPI)

The Quad SPI is a specialized communication interface targeting single, dual or quad SPI flash memories. It can operate in any of the three following modes:

- Indirect mode: all the operations are performed using the QUADSPI registers
- Status polling mode: the external flash status register is periodically read and an interrupt can be generated in case of flag setting
- Memory-mapped mode: the external Flash is memory mapped and is seen by the system as if it were an internal memory.

Both throughput and capacity can be increased two-fold using dual-flash mode, where two quad SPI flash memories are accessed simultaneously.

The Quad SPI interface supports:

- Indirect mode: all the operations are performed using the QUADSPI registers
- Status polling mode: the external flash status register is periodically read and an interrupt can be generated in case of flag setting
- Memory-mapped mode: the external Flash is memory mapped and is seen by the system as if it were an internal memory
- Three functional modes: indirect, status-polling, and memory-mapped
- SDR and DDR support
- Fully programmable opcode for both indirect and memory mapped mode
- Fully programmable frame format for both indirect and memory mapped mode
  - Each of the 5 following phases can be configured independently (enable, length, single/dual/quad communication)
  - Instruction phase
  - Address phase
  - Alternate bytes phase
  - Dummy cycles phase
  - Data phase
- Integrated FIFO for reception and transmission
- 8, 16, and 32-bit data accesses are allowed
- DMA channel for indirect mode operations
- Programmable masking for external flash flag management
- Timeout management
- Interrupt generation on FIFO threshold, timeout, status match, operation complete, and access error

## 3.39 Development support

### 3.39.1 Serial wire JTAG debug port (SWJ-DP)

The Arm SWJ-DP interface is embedded, and is a combined JTAG and serial wire debug port that enables either a serial wire debug or a JTAG probe to be connected to the target.

Debug is performed using 2 pins only instead of 5 required by the JTAG (JTAG pins could be re-use as GPIO with alternate function): the JTAG TMS and TCK pins are shared with SWDIO and SWCLK, respectively, and a specific sequence on the TMS pin is used to switch between JTAG-DP and SW-DP.

### 3.39.2 Embedded trace macrocell™

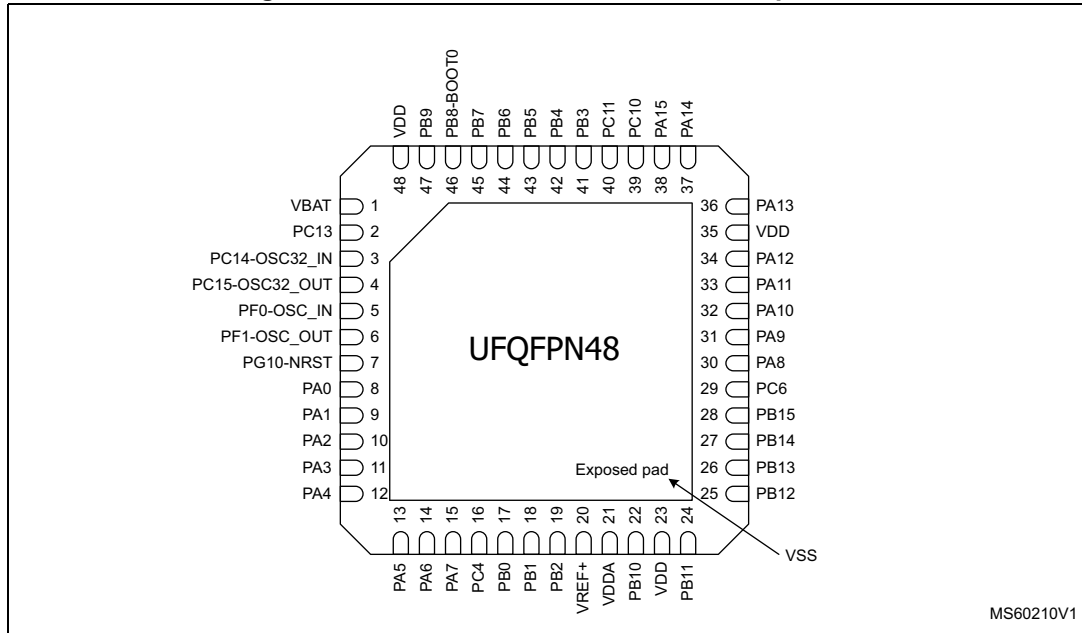
The Arm embedded trace macrocell provides a greater visibility of the instruction and data flow inside the CPU core by streaming compressed data at a very high rate from the STM32G473xB/xC/xE devices through a small number of ETM pins to an external hardware trace port analyzer (TPA) device. Real-time instruction and data flow activity be recorded and then formatted for display on the host computer that runs the debugger software. TPA hardware is commercially available from common development tool vendors.

The Embedded trace macrocell operates with third party debugger software tools.

## 4 Pinouts and pin description

### 4.1 UFQFPN48 pinout description

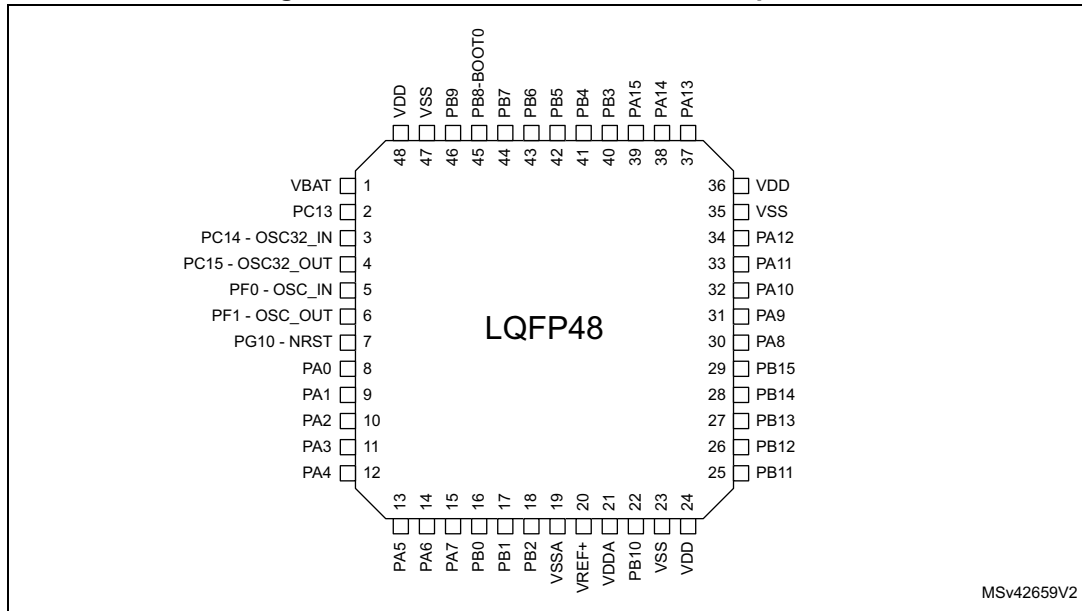
Figure 5. STM32G473xB/xC/xE UFQFPN48 pinout



1. The above figure shows the package top view.
2. VSS pads are connected to the exposed pad.

## 4.2 LQFP48 pinout description

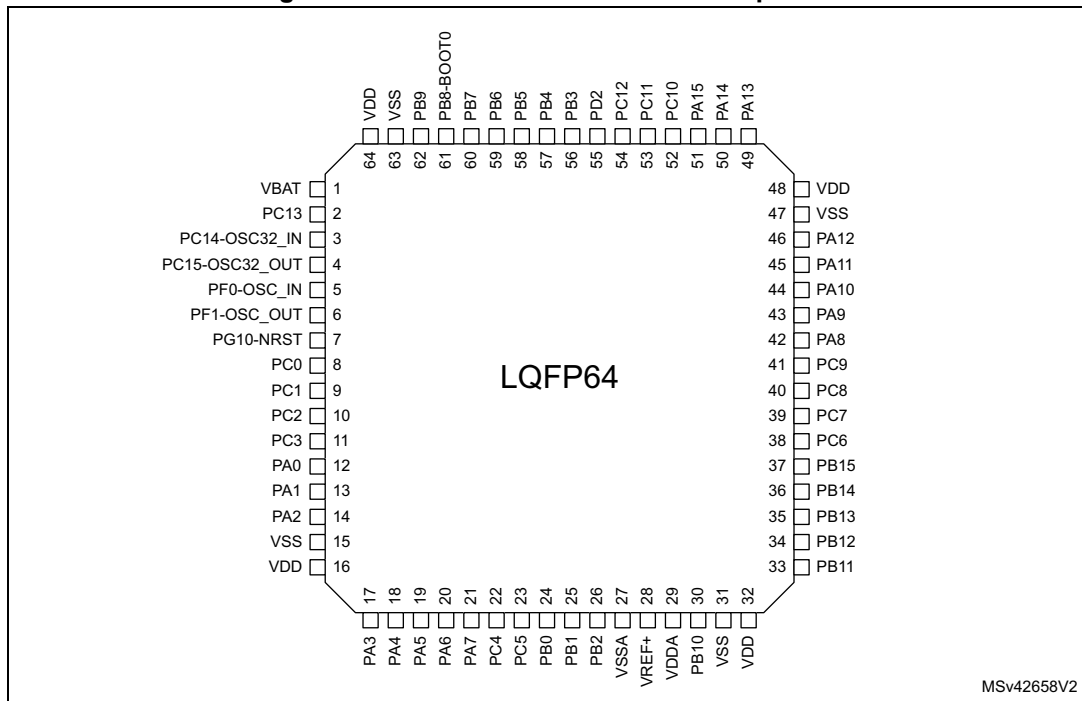
Figure 6. STM32G473xB/xC/xE LQFP48 pinout



1. The above figure shows the package top view.

## 4.3 LQFP64 pinout description

Figure 7. STM32G473xB/xC/xE LQFP64 pinout

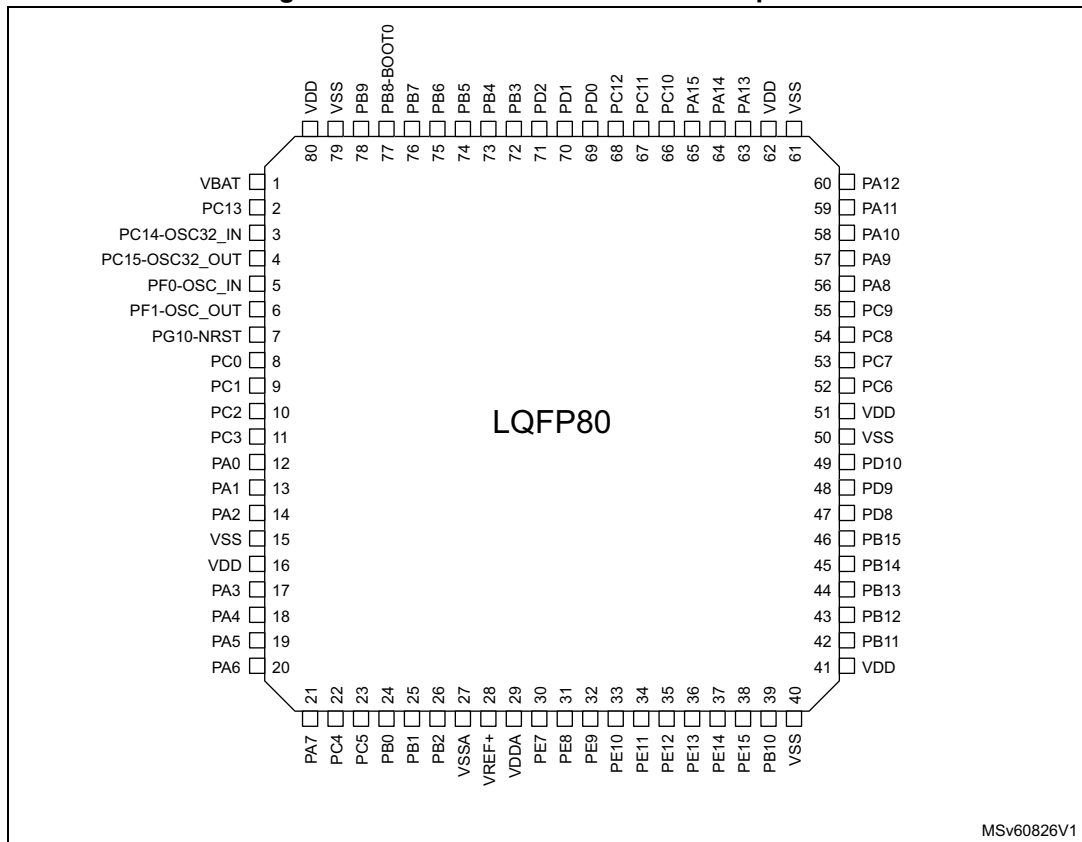


1. The above figure shows the package top view.



### 4.4 LQFP80 pinout description

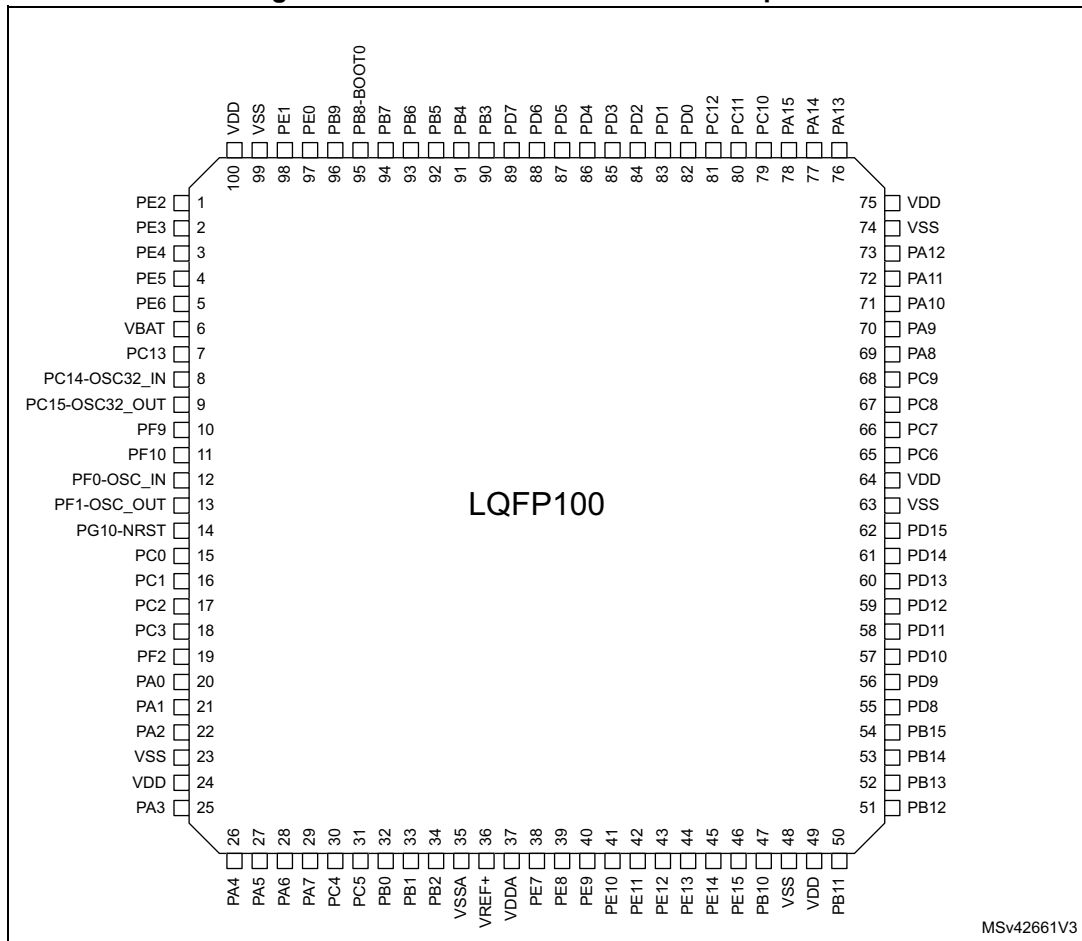
Figure 8. STM32G473xB/xC/xE LQFP80 pinout



1. The above figure shows the package top view.

### 4.5 LQFP100 pinout description

Figure 9. STM32G473xB/xC/xE LQFP100 pinout

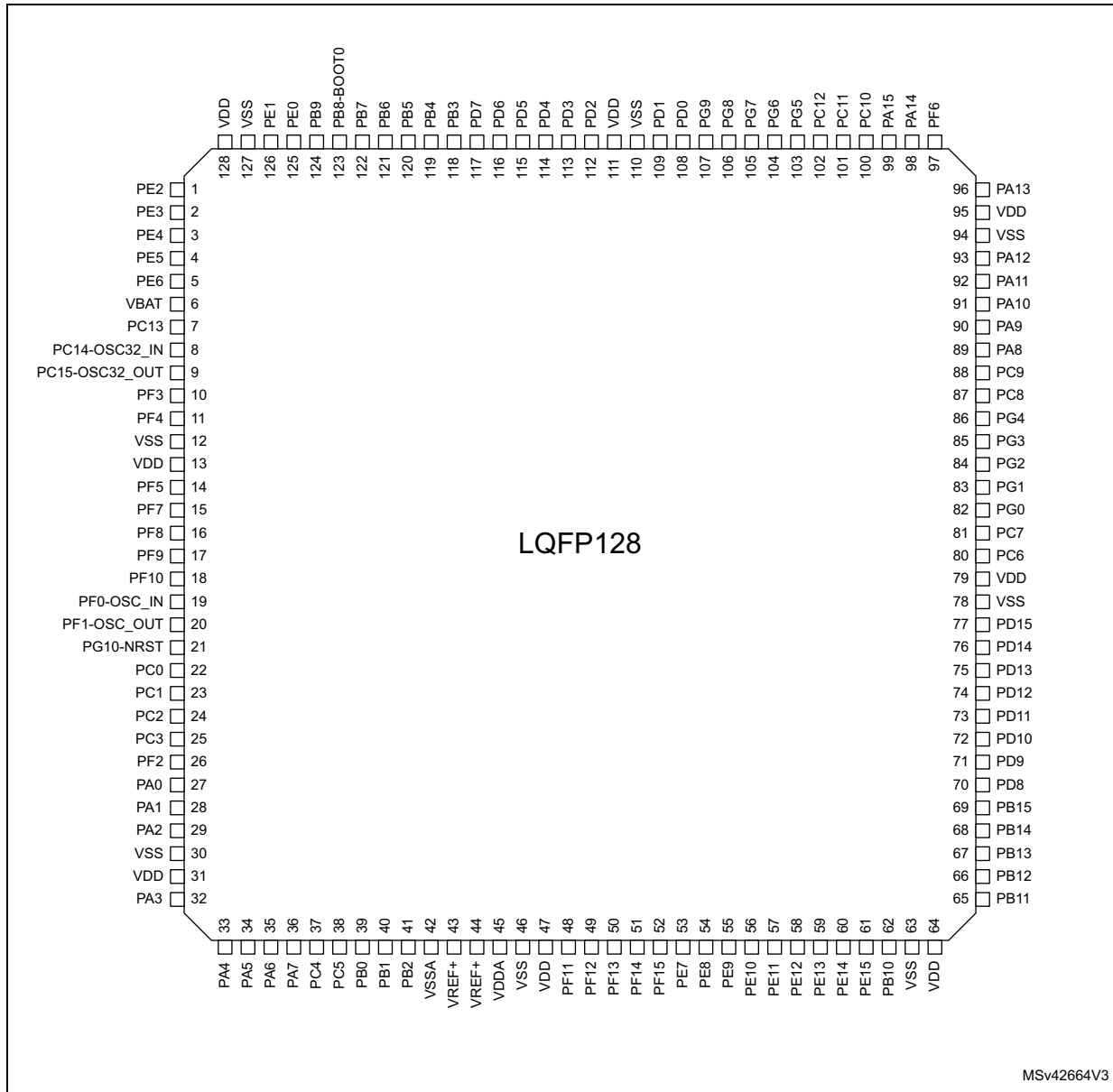


MSv42661V3

1. The above figure shows the package top view.

### 4.6 LQFP128 pinout description

Figure 10. STM32G473xB/xC/xE LQFP128 pinout



1. The above figure shows the package top view.

### 4.7 WLCSP81 pinout description

Figure 11. STM32G473xB/xC/xE WLCSP81 pinout

	1	2	3	4	5	6	7	8	9
A	VDD	PA15	PC12	PD1	PB3	PB5	PB9	VSS	VDD
B	VSS	PA13	PC10	PD0	PD2	PB6	PB8-BOOT0	PC13	VBAT
C	PA12	PA11	PA14	PC11	PC8	PB4	PB7	PC1	PC14-OSC32_IN
D	PA8	PC9	PA10	PA9	PC7	PA4	PA0	PG10-NRST	PC15-OSC32_OUT
E	VDD	PD11	PC6	PB15	PE12	PC4	PA1	PC0	PF0-OSC_IN
F	VSS	PD10	PD9	PE15	PE9	PB0	PA5	PC2	PF1-OSC_OUT
G	PD8	PB14	PB12	PE13	PE8	PB1	PA6	PA2	PC3
H	PB13	PB11	PB10	PE11	PE7	VSSA	PC5	PA3	VSS
J	VDD	VSS	PE14	PE10	VDDA	VREF+	PB2	PA7	VDD

MSv48046V1

1. The above figure shows the package top view.

### 4.8 TFBGA100 pinout description

Figure 12. STM32G473xB/xC/xE TFBGA100 pinout

	1	2	3	4	5	6	7	8	9	10
A	PE4	PB9	PB8-BOOT0	PB6	PB3	PD6	PD5	PD4	PD1	PC12
B	PE5	PE3	PE1	PB7	PB5	PD7	PD2	PD0	PA15	PA14
C	PC14-OSC32_IN	PE6	PE2	PE0	PB4	PD3	PC11	PC10	PA12	PA11
D	PC15-OSC32_OUT	VSS	VBAT	PC13	VDD	VSS	VDD	PA13	PA10	PA9
E	PF0-OSC_IN	PF1-OSC_OUT	PF9	PF10	VSS	VSS	VSS	PC8	PC9	PA8
F	PC2	PC0	PG10-NRST	PC1	VDD	VSS	VDD	PD14	PC6	PC7
G	PC3	PA1	PF2	PA0	PE7	PE12	PD10	PD9	PD13	PD15
H	PA2	PA4	PA3	PB0	PE8	PE9	PE15	PB11	PB14	PD11
J	PA5	PA6	PC5	PB2	VDDA	PE11	PE14	PB10	PB13	PD12
K	PA7	PC4	PB1	VSSA	VREF+	PE10	PE13	PB12	PB15	PD8

MS48951V1

1. The above figure shows the package top view.

### 4.9 UFBGA121 pinout description

Figure 13. STM32G473xB/xC/xE UFBGA121 pinout

	1	2	3	4	5	6	7	8	9	10	11
A	PE4	PE2	VDD	PB9	PB6	PB3	PD4	VDD	PD1	PA15	PF6
B	PE5	PE3	VSS	PE0	PB5	PD7	PD3	VSS	PD0	PA14	PA13
C	PC13	VBAT	PE6	PE1	PB7	PB4	PD2	PC11	PC10	VSS	VDD
D	PC14- OSC32_IN	PC15- OSC32_OUT	PF3	PF4	PB8-BOOT0	PD6	PC12	PA9	PA10	PA12	PA11
E	VDD	VSS	PF5	PF7	PF8	PD5	PA8	PC9	PC8	PG4	PG3
F	PF0-OSC_IN	PF1- OSC_OUT	PF9	PF10	PG10-NRST	PD15	PG2	PG1	PG0	PC6	PC7
G	PC1	PC0	PC2	PA0	PB1	PF15	PD11	PD12	PD13	PD14	VDD
H	PC3	PF2	PA1	PC5	PF12	PF14	PE10	PB15	PD8	PD9	PD10
J	VDD	VSS	PA2	PB0	PF11	PF13	PE9	PE13	PB12	PB14	PB13
K	PA3	PA5	PA7	PB2	VSSA	VSS	PE8	PE12	PE14	VSS	VDD
L	PA4	PA6	PC4	VREF+	VDDA	VDD	PE7	PE11	PE15	PB10	PB11

MS52876V1

1. The above figure shows the package top view.

## 4.10 Pin definition

**Table 11. Legend/abbreviations used in the pinout table**

Name	Abbreviation	Definition
Pin name	Unless otherwise specified in brackets below the pin name, the pin function during and after reset is the same as the actual pin name	
Pin type	S	Supply pin
	I	Input only pin
	I/O	Input / output pin
I/O structure	FT	5 V tolerant I/O
	TT	3.6 V tolerant I/O
	B	Dedicated BOOT0 pin
	NRST	Bidirectional reset pin with embedded weak pull-up resistor
	<b>Option for TT or FT I/Os</b>	
	_a <sup>(1)</sup>	I/O, with Analog switch function supplied by V <sub>DDA</sub>
	_c	I/O, USB Type-C PD capable
	_d	I/O, USB Type-C PD Dead Battery function
	_f <sup>(2)</sup>	I/O, Fm+ capable
	_u <sup>(3)</sup>	I/O, with USB function
Notes	Unless otherwise specified by a note, all I/Os are set as floating inputs during and after reset	
Pin functions	Alternate functions	Functions selected through GPIOx_AFR registers
	Additional functions	Functions directly selected/enabled through peripheral registers

1. The related I/O structures in [Table 12](#) are: FT\_a, FT\_fa, TT\_a.
2. The related I/O structures in [Table 12](#) are: FT\_f, FT\_fa.
3. The related I/O structures in [Table 12](#) are FT\_u.

Table 12. STM32G473xB/xC/xE pin definition

Pin Number									Pin name (function after reset) <sup>(1)</sup>	Pin type	I/O structure	Notes	Alternate functions	Additional functions
WLCSP81	UFQFPN48	LQFP48	LQFP64	LQFP80	TFBGA100	LPQF100	UFBGA121	LPQF128						
-	-	-	-	-	C3	1	A2	1	PE2	I/O	FT	-	TRACECK, TIM3_CH1, SAI1_CK1, SPI4_SCK, TIM20_CH1, FMC_A23, SAI1_MCLK_A, EVENTOUT	-
-	-	-	-	-	B2	2	B2	2	PE3	I/O	FT	-	TRACED0, TIM3_CH2, SPI4_NSS, TIM20_CH2, FMC_A19, SAI1_SD_B, EVENTOUT	-
-	-	-	-	-	A1	3	A1	3	PE4	I/O	FT	-	TRACED1, TIM3_CH3, SAI1_D2, SPI4_NSS, TIM20_CH1N, FMC_A20, SAI1_FS_A, EVENTOUT	-
-	-	-	-	-	B1	4	B1	4	PE5	I/O	FT	-	TRACED2, TIM3_CH4, SAI1_CK2, SPI4_MISO, TIM20_CH2N, FMC_A21, SAI1_SCK_A, EVENTOUT	-
-	-	-	-	-	C2	5	C3	5	PE6	I/O	FT	-	TRACED3, SAI1_D1, SPI4_MOSI, TIM20_CH3N, FMC_A22, SAI1_SD_A, EVENTOUT	WKUP3, RTC_TAMP3
B9	1	1	1	1	D3	6	C2	6	VBAT	S	-	-	-	-
B8	2	2	2	2	D4	7	C1	7	PC13	I/O	FT	(2) (3)	TIM1_BKIN, TIM1_CH1N, TIM8_CH4N, EVENTOUT	WKUP2, RTC_TAMP1, RTC_TS, RTC_OUT1
C9	3	3	3	3	C1	8	D1	8	PC14- OSC32_I N	I/O	FT	(2) (3)	EVENTOUT	OSC32_IN
D9	4	4	4	4	D1	9	D2	9	PC15- OSC32_ OUT	I/O	FT	(2) (3)	EVENTOUT	OSC32_OUT

Table 12. STM32G473xB/xC/xE pin definition (continued)

Pin Number									Pin name (function after reset) <sup>(1)</sup>	Pin type	I/O structure	Notes	Alternate functions	Additional functions
WLCSP81	UFQFPN48	LQFP48	LQFP64	LQFP80	TFBGA100	LPQF100	UFBGA121	LPQF128						
-	-	-	-	-	-	-	D3	10	PF3	I/O	FT_f	-	TIM20_CH4, I2C3_SCL, FMC_A3, EVENTOUT	-
-	-	-	-	-	-	-	D4	11	PF4	I/O	FT_f	-	COMP1_OUT, TIM20_CH1N, I2C3_SDA, FMC_A4, EVENTOUT	-
F1	-	-	-	-	D2	-	E2	12	VSS	S	-	-	-	-
A9	-	-	-	-	D5	-	E1	13	VDD	S	-	-	-	-
-	-	-	-	-	-	-	E3	14	PF5	I/O	FT	-	TIM20_CH2N, FMC_A5, EVENTOUT	-
-	-	-	-	-	-	-	E4	15	PF7	I/O	FT	-	TIM20_BKIN, TIM5_CH2, QUADSPI1_BK1_IO2, FMC_A1, SAI1_MCLK_B, EVENTOUT	-
-	-	-	-	-	-	-	E5	16	PF8	I/O	FT	-	TIM20_BKIN2, TIM5_CH3, QUADSPI1_BK1_IO0, FMC_A24, SAI1_SCK_B, EVENTOUT	-
-	-	-	-	-	E3	10	F3	17	PF9	I/O	FT	-	TIM20_BKIN, TIM15_CH1, SPI2_SCK, TIM5_CH4, QUADSPI1_BK1_IO1, FMC_A25, SAI1_FS_B, EVENTOUT	-
-	-	-	-	-	E4	11	F4	18	PF10	I/O	FT	-	TIM20_BKIN2, TIM15_CH2, SPI2_SCK, QUADSPI1_CLK, FMC_A0, SAI1_D3, EVENTOUT	-
E9	5	5	5	5	E1	12	F1	19	PF0- OSC_IN	I/O	FT_fa	-	I2C2_SDA, SPI2_NSS/I2S2_WS, TIM1_CH3N, EVENTOUT	ADC1_IN10, OSC_IN
F9	6	6	6	6	E2	13	F2	20	PF1- OSC_OUT	I/O	FT_a	-	SPI2_SCK/I2S2_CK, EVENTOUT	ADC2_IN10, COMP3_INM, OSC_OUT
D8	7	7	7	7	F3	14	F5	21	PG10- NRST	I/O	FT	-	MCO, EVENTOUT	NRST



Table 12. STM32G473xB/xC/xE pin definition (continued)

Pin Number									Pin name (function after reset) <sup>(1)</sup>	Pin type	I/O structure	Notes	Alternate functions	Additional functions
WLCSP81	UFQFPN48	LQFP48	LQFP64	LQFP80	TFBGA100	LPQF100	UFBGA121	LPQF128						
E8	-	-	8	8	F2	15	G2	22	PC0	I/O	FT_a	-	LPTIM1_IN1, TIM1_CH1, LPUART1_RX, EVENTOUT	ADC12_IN6, COMP3_INM
C8	-	-	9	9	F4	16	G1	23	PC1	I/O	TT_a	-	LPTIM1_OUT, TIM1_CH2, LPUART1_TX, QUADSPI1_BK2_IO0, SAI1_SD_A, EVENTOUT	ADC12_IN7, COMP3_INP
F8	-	-	10	10	F1	17	G3	24	PC2	I/O	FT_a	-	LPTIM1_IN2, TIM1_CH3, COMP3_OUT, TIM20_CH2, QUADSPI1_BK2_IO1, EVENTOUT	ADC12_IN8
G9	-	-	11	11	G1	18	H1	25	PC3	I/O	TT_a	-	LPTIM1_ETR, TIM1_CH4, SAI1_D1, TIM1_BKIN2, QUADSPI1_BK2_IO2, SAI1_SD_A, EVENTOUT	ADC12_IN9, OPAMP5_VINP
-	-	-	-	-	G3	19	H2	26	PF2	I/O	FT	-	TIM20_CH3, I2C2_SMBA, FMC_A2, EVENTOUT	-
D7	8	8	12	12	G4	20	G4	27	PA0	I/O	TT_a	-	TIM2_CH1, TIM5_CH1, USART2_CTS, COMP1_OUT, TIM8_BKIN, TIM8_ETR, TIM2_ETR, EVENTOUT	ADC12_IN1, COMP1_INM, COMP3_INP, RTC_TAMP2,W KUP1
E7	9	9	13	13	G2	21	H3	28	PA1	I/O	TT_a	-	RTC_REFIN, TIM2_CH2, TIM5_CH2, USART2_RTS_DE, TIM15_CH1N, EVENTOUT	ADC12_IN2, COMP1_INP, OPAMP1_VINP, OPAMP3_VINP, OPAMP6_VINM
G8	10	10	14	14	H1	22	J3	29	PA2	I/O	FT_a	-	TIM2_CH3, TIM5_CH3, USART2_TX, COMP2_OUT, TIM15_CH1, QUADSPI1_BK1_NC S, LPUART1_TX, UCPD1_FRSTX, EVENTOUT	ADC1_IN3, COMP2_INM, OPAMP1_VOUT , WKUP4/LSCO

Table 12. STM32G473xB/xC/xE pin definition (continued)

Pin Number									Pin name (function after reset) <sup>(1)</sup>	Pin type	I/O structure	Notes	Alternate functions	Additional functions
WLCSP81	UFQFPN48	LQFP48	LQFP64	LQFP80	TFBGA100	LPQF100	UFBGA121	LPQF128						
H9	-	-	15	15	D6	23	J2	30	VSS	S	-	-	-	-
J9	-	-	16	16	D7	24	J1	31	VDD	S	-	-	-	-
H8	11	11	17	17	H3	25	K1	32	PA3	I/O	TT_a	-	TIM2_CH4, TIM5_CH4, SAI1_CK1, USART2_RX, TIM15_CH2, QUADSPI1_CLK, LPUART1_RX, SAI1_MCLK_A, EVENTOUT	ADC1_IN4, COMP2_INP, OPAMP1_VINM/ OPAMP 1_VINP, OPAMP5_VINM
D6	12	12	18	18	H2	26	L1	33	PA4	I/O	TT_a	-	TIM3_CH2, SPI1_NSS, SPI3_NSS/I2S3_WS, USART2_CK, SAI1_FS_B, EVENTOUT	ADC2_IN17, DAC1_OUT1, COMP1_INM
F7	13	13	19	19	J1	27	K2	34	PA5	I/O	TT_a	-	TIM2_CH1, TIM2_ETR, SPI1_SCK, UCPD1_FRSTX, EVENTOUT	ADC2_IN13, DAC1_OUT2, COMP2_INM, OPAMP2_VINM
G7	14	14	20	20	J2	28	L2	35	PA6	I/O	TT_a	-	TIM16_CH1, TIM3_CH1, TIM8_BKIN, SPI1_MISO, TIM1_BKIN, COMP1_OUT, QUADSPI1_BK1_IO3, LPUART1_CTS, EVENTOUT	ADC2_IN3, DAC2_OUT1, OPAMP2_VOUT
J8	15	15	21	21	K1	29	K3	36	PA7	I/O	TT_a	-	TIM17_CH1, TIM3_CH2, TIM8_CH1N, SPI1_MOSI, TIM1_CH1N, COMP2_OUT, QUADSPI1_BK1_IO2, UCPD1_FRSTX, EVENTOUT	ADC2_IN4, COMP2_INP, OPAMP1_VINP, OPAMP2_VINP
E6	16	-	22	22	K2	30	L3	37	PC4	I/O	FT_fa	-	TIM1_ETR, I2C2_SCL, USART1_TX, QUADSPI1_BK2_IO3, EVENTOUT	ADC2_IN5

Table 12. STM32G473xB/xC/xE pin definition (continued)

Pin Number									Pin name (function after reset) <sup>(1)</sup>	Pin type	I/O structure	Notes	Alternate functions	Additional functions
WLCSP81	UFQFPN48	LQFP48	LQFP64	LQFP80	TFBGA100	LPQF100	UFBGA121	LPQF128						
H7	-	-	23	23	J3	31	H4	38	PC5	I/O	TT_a	-	TIM15_BKIN, SAI1_D3, TIM1_CH4N, USART1_RX, EVENTOUT	ADC2_IN11, OPAMP1_VINM, OPAMP2_VINM, WKUP5
F6	17	16	24	24	H4	32	J4	39	PB0	I/O	TT_a	-	TIM3_CH3, TIM8_CH2N, TIM1_CH2N, QUADSPI1_BK1_IO1, UCPD1_FRSTX, EVENTOUT	ADC3_IN12/AD C1_IN15, COMP4_INP, OPAMP2_VINP, OPAMP3_VINP
G6	18	17	25	25	K3	33	G5	40	PB1	I/O	TT_a	-	TIM3_CH4, TIM8_CH3N, TIM1_CH3N, COMP4_OUT, QUADSPI1_BK1_IO0, EVENTOUT	ADC3_IN1/ADC 1_IN12, COMP1_INP, OPAMP3_VOUT , OPAMP6_VINM
J7	19	18	26	26	J4	34	K4	41	PB2	I/O	TT_a	-	RTC_OUT2, LPTIM1_OUT, TIM5_CH1, TIM20_CH1, I2C3_SMBA, QUADSPI1_BK2_IO1, EVENTOUT	ADC2_IN12, COMP4_INM, OPAMP3_VINM
H6	-	19	27	27	K4	35	K5	42	VSSA	S	-	-	-	-
J6	20	20	28	28	K5	36	L4	43	VREF+	S	-	-	-	VREFBUF_OUT
-	-	-	-	-	-	-	-	44	VREF+	S	-	-	-	VREFBUF_OUT
J5	21	21	29	29	J5	37	L5	45	VDDA	S	-	-	-	-
H9	-	-	-	-	E5	-	K6	46	VSS	S	-	-	-	-
J1	-	-	-	-	F5	-	L6	47	VDD	S	-	-	-	-
-	-	-	-	-	-	-	J5	48	PF11	I/O	FT	-	TIM20_ETR, FMC_NE4, EVENTOUT	-
-	-	-	-	-	-	-	H5	49	PF12	I/O	FT	-	TIM20_CH1, FMC_A6, EVENTOUT	-
-	-	-	-	-	-	-	J6	50	PF13	I/O	FT	-	TIM20_CH2, I2C4_SMBA, FMC_A7, EVENTOUT	-
-	-	-	-	-	-	-	H6	51	PF14	I/O	FT_f	-	TIM20_CH3, I2C4_SCL, FMC_A8, EVENTOUT	-
-	-	-	-	-	-	-	G6	52	PF15	I/O	FT_f	-	TIM20_CH4, I2C4_SDA, FMC_A9, EVENTOUT	-

Table 12. STM32G473xB/xC/xE pin definition (continued)

Pin Number									Pin name (function after reset) <sup>(1)</sup>	Pin type	I/O structure	Notes	Alternate functions	Additional functions
WLCSP81	UFQFPN48	LQFP48	LQFP64	LQFP80	TFBGA100	LPQF100	UFBGA121	LPQF128						
H5	-	-	-	30	G5	38	L7	53	PE7	I/O	TT_a	-	TIM1_ETR, FMC_D4, SAI1_SD_B, EVENTOUT	ADC3_IN4, COMP4_INP
G5	-	-	-	31	H5	39	K7	54	PE8	I/O	FT_a	-	TIM5_CH3, TIM1_CH1N, FMC_D5, SAI1_SCK_B, EVENTOUT	ADC345_IN6, COMP4_INM
F5	-	-	-	32	H6	40	J7	55	PE9	I/O	FT_a	-	TIM5_CH4, TIM1_CH1, FMC_D6, SAI1_FS_B, EVENTOUT	ADC3_IN2
J4	-	-	-	33	K6	41	H7	56	PE10	I/O	FT_a	-	TIM1_CH2N, QUADSPI1_CLK, FMC_D7, SAI1_MCLK_B, EVENTOUT	ADC345_IN14
H4	-	-	-	34	J6	42	L8	57	PE11	I/O	FT_a	-	TIM1_CH2, SPI4_NSS, QUADSPI1_BK1_NC S, FMC_D8, EVENTOUT	ADC345_IN15
E5	-	-	-	35	G6	43	K8	58	PE12	I/O	FT_a	-	TIM1_CH3N, SPI4_SCK, QUADSPI1_BK1_IO0, FMC_D9, EVENTOUT	ADC345_IN16
G4	-	-	-	36	K7	44	J8	59	PE13	I/O	FT_a	-	TIM1_CH3, SPI4_MISO, QUADSPI1_BK1_IO1, FMC_D10, EVENTOUT	ADC3_IN3
J3	-	-	-	37	J7	45	K9	60	PE14	I/O	FT_a	-	TIM1_CH4, SPI4_MOSI, TIM1_BKIN2, QUADSPI1_BK1_IO2, FMC_D11, EVENTOUT	ADC4_IN1
F4	-	-	-	38	H7	46	L9	61	PE15	I/O	FT_a	-	TIM1_BKIN, TIM1_CH4N, USART3_RX, QUADSPI1_BK1_IO3, FMC_D12, EVENTOUT	ADC4_IN2

Table 12. STM32G473xB/xC/xE pin definition (continued)

Pin Number									Pin name (function after reset) <sup>(1)</sup>	Pin type	I/O structure	Notes	Alternate functions	Additional functions
WLCSP81	UFQFPN48	LQFP48	LQFP64	LQFP80	TFBGA100	LPQF100	UFBGA121	LPQF128						
H3	22	22	30	39	J8	47	L10	62	PB10	I/O	TT_a	-	TIM2_CH3, USART3_TX, LPUART1_RX, QUADSPI1_CLK, TIM1_BKIN, SAI1_SCK_A, EVENTOUT	COMP5_INM, OPAMP3_VINM, OPAMP4_VINM
J2	-	23	31	40	E6	48	K10	63	VSS	S	-	-	-	-
J1	23	24	32	41	F7	49	K11	64	VDD	S	-	-	-	-
H2	24	25	33	42	H8	50	L11	65	PB11	I/O	TT_a	-	TIM2_CH4, USART3_RX, LPUART1_TX, QUADSPI1_BK1_NC S, EVENTOUT	ADC12_IN14, COMP6_INP, OPAMP4_VINP, OPAMP6_VOUT
G3	25	26	34	43	K8	51	J9	66	PB12	I/O	TT_a	-	TIM5_ETR, I2C2_SMBA, SPI2_NSS/I2S2_WS, TIM1_BKIN, USART3_CK, LPUART1_RTS_DE, FDCAN2_RX, EVENTOUT	ADC4_IN3/ADC 1_IN11, COMP7_INM, OPAMP4_VOUT , OPAMP6_VINP
H1	26	27	35	44	J9	52	J11	67	PB13	I/O	TT_a	-	SPI2_SCK/I2S2_CK, TIM1_CH1N, USART3_CTS, LPUART1_CTS, FDCAN2_TX, EVENTOUT	ADC3_IN5, COMP5_INP, OPAMP3_VINP, OPAMP4_VINP, OPAMP6_VINP
G2	27	28	36	45	H9	53	J10	68	PB14	I/O	TT_a	-	TIM15_CH1, SPI2_MISO, TIM1_CH2N, USART3_RTS_DE, COMP4_OUT, EVENTOUT	ADC4_IN4/ADC 1_IN5, COMP7_INP, OPAMP2_VINP, OPAMP5_VINP
E4	28	29	37	46	K9	54	H8	69	PB15	I/O	TT_a	-	RTC_REFIN, TIM15_CH2, TIM15_CH1N, COMP3_OUT, TIM1_CH3N, SPI2_MOSI/I2S2_SD, EVENTOUT	ADC4_IN5/ADC 2_IN15, COMP6_INM, OPAMP5_VINM
G1	-	-	-	47	K10	55	H9	70	PD8	I/O	TT_a	-	USART3_TX, FMC_D13, EVENTOUT	ADC4_IN12/AD C5_IN12, OPAMP4_VINM
F3	-	-	-	48	G8	56	H10	71	PD9	I/O	TT_a	-	USART3_RX, FMC_D14, EVENTOUT	ADC4_IN13/AD C5_IN13, OPAMP6_VINP

Table 12. STM32G473xB/xC/xE pin definition (continued)

Pin Number									Pin name (function after reset) <sup>(1)</sup>	Pin type	I/O structure	Notes	Alternate functions	Additional functions
WLCSP81	UFQFPN48	LQFP48	LQFP64	LQFP80	TFBGA100	LPQF100	UFBGA121	LPQF128						
F2	-	-	-	49	G7	57	H11	72	PD10	I/O	FT_a	-	USART3_CK, FMC_D15, EVENTOUT	ADC345_IN7, COMP6_INM
E2	-	-	-	-	H10	58	G7	73	PD11	I/O	TT_a	-	TIM5_ETR, I2C4_SMBA, USART3_CTS, FMC_A16, EVENTOUT	ADC345_IN8, COMP6_INP, OPAMP4_VINP
-	-	-	-	-	J10	59	G8	74	PD12	I/O	TT_a	-	TIM4_CH1, USART3_RTS_DE, FMC_A17, EVENTOUT	ADC345_IN9, COMP5_INP, OPAMP5_VINP
-	-	-	-	-	G9	60	G9	75	PD13	I/O	FT_a	-	TIM4_CH2, FMC_A18, EVENTOUT	ADC345_IN10, COMP5_INM
-	-	-	-	-	F8	61	G10	76	PD14	I/O	TT_a	-	TIM4_CH3, FMC_D0, EVENTOUT	ADC345_IN11, COMP7_INP, OPAMP2_VINP
-	-	-	-	-	G10	62	F6	77	PD15	I/O	FT_a	-	TIM4_CH4, SPI2_NSS, FMC_D1, EVENTOUT	COMP7_INM
B1	-	-	-	50	E7	63	-	78	VSS	S	-	-	-	-
E1	-	-	-	51	-	64	G11	79	VDD	S	-	-	-	-
E3	29	-	38	52	F9	65	F10	80	PC6	I/O	FT_f	-	TIM3_CH1, TIM8_CH1, I2S2_MCK, COMP6_OUT, I2C4_SCL, EVENTOUT	-
D5	-	-	39	53	F10	66	F11	81	PC7	I/O	FT_f	-	TIM3_CH2, TIM8_CH2, I2S3_MCK, COMP5_OUT, I2C4_SDA, EVENTOUT	-
-	-	-	-	-	-	-	F9	82	PG0	I/O	FT	-	TIM20_CH1N, FMC_A10, EVENTOUT	-
-	-	-	-	-	-	-	F8	83	PG1	I/O	FT	-	TIM20_CH2N, FMC_A11, EVENTOUT	-
-	-	-	-	-	-	-	F7	84	PG2	I/O	FT	-	TIM20_CH3N, SPI1_SCK, FMC_A12, EVENTOUT	-

Table 12. STM32G473xB/xC/xE pin definition (continued)

Pin Number									Pin name (function after reset) <sup>(1)</sup>	Pin type	I/O structure	Notes	Alternate functions	Additional functions
WLCSP81	UFQFPN48	LQFP48	LQFP64	LQFP80	TFBGA100	LPQF100	UFBGA121	LPQF128						
-	-	-	-	-	-	-	E11	85	PG3	I/O	FT_f	-	TIM20_BKIN, I2C4_SCL, SPI1_MISO, TIM20_CH4N, FMC_A13, EVENTOUT	-
-	-	-	-	-	-	-	E10	86	PG4	I/O	FT_f	-	TIM20_BKIN2, I2C4_SDA, SPI1_MOSI, FMC_A14, EVENTOUT	-
C5	-	-	40	54	E8	67	E9	87	PC8	I/O	FT_f	-	TIM3_CH3, TIM8_CH3, TIM20_CH3, COMP7_OUT, I2C3_SCL, EVENTOUT	-
D2	-	-	41	55	E9	68	E8	88	PC9	I/O	FT_f	-	TIM3_CH4, TIM8_CH4, I2SCKIN, TIM8_BKIN2, I2C3_SDA, EVENTOUT	-
D1	30	30	42	56	E10	69	E7	89	PA8	I/O	FT_a	-	MCO, I2C3_SCL, I2C2_SDA, I2S2_MCK, TIM1_CH1, USART1_CK, COMP7_OUT, TIM4_ETR, FDCAN3_RX, SAI1_CK2, SAI1_SCK_A, EVENTOUT	ADC5_IN1, OPAMP5_VOUT
D4	31	31	43	57	D10	70	D8	90	PA9	I/O	FT_fd a	-	I2C3_SMBA, I2C2_SCL, I2S3_MCK, TIM1_CH2, USART1_TX, OMP5_OUT, TIM15_BKIN, TIM2_CH3, SAI1_FS_A, EVENTOUT	ADC5_IN2, UCPD1_DBCC1

Table 12. STM32G473xB/xC/xE pin definition (continued)

Pin Number									Pin name (function after reset) <sup>(1)</sup>	Pin type	I/O structure	Notes	Alternate functions	Additional functions
WLCSP81	UFQFPN48	LQFP48	LQFP64	LQFP80	TFBGA100	LPQF100	UFBGA121	LPQF128						
D3	32	32	44	58	D9	71	D9	91	PA10	I/O	FT <sub>fd</sub> <sub>a</sub>	-	TIM17_BKIN, USB_CR2_SYNC, I2C2_SMBA, SPI2_MISO, TIM1_CH3, USART1_RX, COMP6_OUT, TIM2_CH4, TIM8_BKIN, SAI1_D1, SAI1_SD_A, EVENTOUT	UCPD1_DBCC2
C2	33	33	45	59	C10	72	D11	92	PA11	I/O	FT <sub>u</sub>	-	SPI2_MOSI/I2S2_SD, TIM1_CH1N, USART1_CTS, COMP1_OUT, FDCAN1_RX, TIM4_CH1, TIM1_CH4, TIM1_BKIN2, EVENTOUT	USB_DM
C1	34	34	46	60	C9	73	D10	93	PA12	I/O	FT <sub>u</sub>	-	TIM16_CH1, I2SCKIN, TIM1_CH2N, USART1_RTS_DE, COMP2_OUT, FDCAN1_TX, TIM4_CH2, TIM1_ETR, EVENTOUT	USB_DP
A8	-	35	47	61	F6	74	C10	94	VSS	S	-	-	-	-
A1	35	36	48	62	-	75	C11	95	VDD	S	-	-	-	-
B2	36	37	49	63	D8	76	B11	96	PA13	I/O	FT <sub>f</sub>	(4)	SWDIO-JTMS, TIM16_CH1N, I2C4_SCL, I2C1_SCL, IR_OUT, USART3_CTS, TIM4_CH3, SAI1_SD_B, EVENTOUT	-
-	-	-	-	-	-	-	A11	97	PF6	I/O	FT <sub>f</sub>	-	TIM5_ETR, TIM4_CH4, SAI1_SD_B, I2C2_SCL, TIM5_CH1, USART3_RTS, QUADSPI1_BK1_IO3, EVENTOUT	-



Table 12. STM32G473xB/xC/xE pin definition (continued)

Pin Number									Pin name (function after reset) <sup>(1)</sup>	Pin type	I/O structure	Notes	Alternate functions	Additional functions
WLCSP81	UFQFPN48	LQFP48	LQFP64	LQFP80	TFBGA100	LPQF100	UFBGA121	LPQF128						
C3	37	38	50	64	B10	77	B10	98	PA14	I/O	FT_f	(4)	SWCLK-JTCK, LPTIM1_OUT, I2C4_SMBA, I2C1_SDA, TIM8_CH2, TIM1_BKIN, USART2_TX, SAI1_FS_B, EVENTOUT	-
A2	38	39	51	65	B9	78	A10	99	PA15	I/O	FT_f	(4)	JTDI, TIM2_CH1, TIM8_CH1, I2C1_SCL, SPI1_NSS, SPI3_NSS/I2S3_WS, USART2_RX, UART4_RTS_DE, TIM1_BKIN, FDCAN3_TX, TIM2_ETR, EVENTOUT	-
B3	39	-	52	66	C8	79	C9	100	PC10	I/O	FT	-	TIM8_CH1N, UART4_TX, SPI3_SCK/I2S3_CK, USART3_TX, EVENTOUT	-
C4	40	-	53	67	C7	80	C8	101	PC11	I/O	FT_f	-	TIM8_CH2N, UART4_RX, SPI3_MISO, USART3_RX, I2C3_SDA, EVENTOUT	-
A3	-	-	54	68	A10	81	D7	102	PC12	I/O	FT	-	TIM5_CH2, TIM8_CH3N, UART5_TX, SPI3_MOSI/I2S3_SD, USART3_CK, UCPD1_FRSTX, EVENTOUT	-
-	-	-	-	-	-	-	-	103	PG5	I/O	FT	-	TIM2_ETR, SPI1_NSS, LPUART1_CTS, FMC_A15, EVENTOUT	-
-	-	-	-	-	-	-	-	104	PG6	I/O	FT	-	TIM2_BKIN, I2C3_SMBA, LPUART1_RTS_DE, FMC_INT, EVENTOUT	-

Table 12. STM32G473xB/xC/xE pin definition (continued)

Pin Number									Pin name (function after reset) <sup>(1)</sup>	Pin type	I/O structure	Notes	Alternate functions	Additional functions
WLCSP81	UFQFPN48	LQFP48	LQFP64	LQFP80	TFBGA100	LPQF100	UFBGA121	LPQF128						
-	-	-	-	-	-	-	-	105	PG7	I/O	FT_f	-	SAI1_CK1, I2C3_SCL, LPUART1_TX, FMC_INT, SAI1_MCLK_A, EVENTOUT	-
-	-	-	-	-	-	-	-	106	PG8	I/O	FT_f	-	I2C3_SDA, LPUART1_RX, FMC_NE3, EVENTOUT	-
-	-	-	-	-	-	-	-	107	PG9	I/O	FT	-	SPI3_SCK, USART1_TX, FMC_NCE/FMC_NE2, TIM15_CH1N, EVENTOUT	-
B4	-	-	-	69	B8	82	B9	108	PD0	I/O	FT	-	TIM8_CH4N, FDCAN1_RX, FMC_D2, EVENTOUT	-
A4	-	-	-	70	A9	83	A9	109	PD1	I/O	FT	-	TIM8_CH4, TIM8_BKIN2, FDCAN1_TX, FMC_D3, EVENTOUT	-
-	-	-	-	-	-	-	B8	110	VSS	S	-	-	-	-
A1	-	-	-	-	-	-	A8	111	VDD	S	-	-	-	-
B5	-	-	55	71	B7	84	C7	112	PD2	I/O	FT	-	TIM3_ETR, TIM8_BKIN, UART5_RX, EVENTOUT	-
-	-	-	-	-	C6	85	B7	113	PD3	I/O	FT	-	TIM2_CH1/ TIM2_ETR, USART2_CTS, QUADSPI1_BK2_NC S, FMC_CLK, EVENTOUT	-
-	-	-	-	-	A8	86	A7	114	PD4	I/O	FT	-	TIM2_CH2, USART2_RTS_DE, QUADSPI1_BK2_IO0, FMC_NOE, EVENTOUT	-
-	-	-	-	-	A7	87	E6	115	PD5	I/O	FT	-	USART2_TX, QUADSPI1_BK2_IO1, FMC_NWE, EVENTOUT	-

Table 12. STM32G473xB/xC/xE pin definition (continued)

Pin Number									Pin name (function after reset) <sup>(1)</sup>	Pin type	I/O structure	Notes	Alternate functions	Additional functions
WLCSP81	UFQFPN48	LQFP48	LQFP64	LQFP80	TFBGA100	LPQF100	UFBGA121	LPQF128						
-	-	-	-	-	A6	88	D6	116	PD6	I/O	FT	-	TIM2_CH4, SAI1_D1, USART2_RX, QUADSPI1_BK2_IO2, FMC_NWAIT, SAI1_SD_A, EVENTOUT	-
-	-	-	-	-	B6	89	B6	117	PD7	I/O	FT	-	TIM2_CH3, USART2_CK, QUADSPI1_BK2_IO3, FMC_NCE/FMC_NE1, EVENTOUT	-
A5	41	40	56	72	A5	90	A6	118	PB3	I/O	FT	(4)	JTDO-TRACESWO, TIM2_CH2, TIM4_ETR, UCPD1_CRG_SYNC, TIM8_CH1N, SPI1_SCK, SPI3_SCK/I2S3_CK, USART2_TX, TIM3_ETR, FDCAN3_RX, SAI1_SCK_B, EVENTOUT	-
C6	42	41	57	73	C5	91	C6	119	PB4	I/O	FT_c	(4) (5)	JTRST, TIM16_CH1, TIM3_CH1, TIM8_CH2N, SPI1_MISO, SPI3_MISO, USART2_RX, UART5_RTS_DE, TIM17_BKIN, FDCAN3_TX, SAI1_MCLK_B, EVENTOUT	UCPD1_CC2
A6	43	42	58	74	B5	92	B5	120	PB5	I/O	FT_f	-	TIM16_BKIN, TIM3_CH2, TIM8_CH3N, I2C1_SMBA, SPI1_MOSI, SPI3_MOSI/I2S3_SD, USART2_CK, I2C3_SDA, FDCAN2_RX, TIM17_CH1, LPTIM1_IN1, SAI1_SD_B, UART5_CTS, EVENTOUT	-

Table 12. STM32G473xB/xC/xE pin definition (continued)

Pin Number									Pin name (function after reset) <sup>(1)</sup>	Pin type	I/O structure	Notes	Alternate functions	Additional functions
WLCSP81	UFQFPN48	LQFP48	LQFP64	LQFP80	TFBGA100	LPQF100	UFBGA121	LPQF128						
B6	44	43	59	75	A4	93	A5	121	PB6	I/O	FT_c	(5)	TIM16_CH1N, TIM4_CH1, TIM8_CH1, TIM8_ETR, USART1_TX, COMP4_OUT, FDCAN2_TX, TIM8_BKIN2, LPTIM1_ETR, SAI1_FS_B, EVENTOUT	UCPD1_CC1
C7	45	44	60	76	B4	94	C5	122	PB7	I/O	FT_f	-	TIM17_CH1N, TIM4_CH2, I2C4_SDA, I2C1_SDA, TIM8_BKIN, USART1_RX, COMP3_OUT, TIM3_CH4, LPTIM1_IN2, FMC_NL, UART4_CTS, EVENTOUT	PVD_IN
B7	46	45	61	77	A3	95	D5	123	PB8- BOOT0	I/O	FT_f	(6)	TIM16_CH1, TIM4_CH3, SAI1_CK1, I2C1_SCL, USART3_RX, COMP1_OUT, FDCAN1_RX, TIM8_CH2, TIM1_BKIN, SAI1_MCLK_A, EVENTOUT	-
A7	47	46	62	78	A2	96	A4	124	PB9	I/O	FT_f	-	TIM17_CH1, TIM4_CH4, SAI1_D2, I2C1_SDA, IR_OUT, USART3_TX, COMP2_OUT, FDCAN1_TX, TIM8_CH3, TIM1_CH3N, SAI1_FS_A, EVENTOUT	-

Table 12. STM32G473xB/xC/xE pin definition (continued)

Pin Number									Pin name (function after reset) <sup>(1)</sup>	Pin type	I/O structure	Notes	Alternate functions	Additional functions
WLCSP81	UFQFPN48	LQFP48	LQFP64	LQFP80	TFBGA100	LPQF100	UFBGA121	LPQF128						
-	-	-	-	-	C4	97	B4	125	PE0	I/O	FT	-	TIM4_ETR, TIM20_CH4N, TIM16_CH1, TIM20_ETR, USART1_TX, FMC_NBL0, EVENTOUT	-
-	-	-	-	-	B3	98	C4	126	PE1	I/O	FT	-	TIM17_CH1, TIM20_CH4, USART1_RX, FMC_NBL1, EVENTOUT	-
-	-	47	63	79	-	99	B3	127	VSS	S	-	-	-	-
A9	48	48	64	80	-	100	A3	128	VDD	S	-	-	-	-

- Function availability depends on the chosen device.
- PC13, PC14 and PC15 are supplied through the power switch. Since the switch only sinks a limited amount of current (3 mA), the use of GPIOs PC13 to PC15 in output mode is limited:
  - The speed should not exceed 2 MHz with a maximum load of 30 pF
  - These GPIOs must not be used as current sources (e.g. to drive an LED).
- After a backup domain power-up, PC13, PC14 and PC15 operate as GPIOs. Their function then depends on the content of the RTC registers which are not reset by the system reset. For details on how to manage these GPIOs, refer to the Backup domain and RTC register descriptions in the reference manual RM0440 "STM32G4 Series advanced Arm<sup>®</sup>-based 32-bit MCUs".
- After reset, these pins are configured as JTAG/SW debug alternate functions, and the internal pull-up on PA15, PA13, PB4 pins and the internal pull-down on PA14 pin are activated.
- After reset, a pull-down resistor (Rd = 5.1kΩ from UCPD peripheral) can be activated on PB6, PB4 (UCPD1\_CC1, UCPD1\_CC2). The pull-down on PB6 (UCPD1\_CC1) is activated by high level on PA9 (UCPD1\_DBCC1). The pull-down on PB4 (UCPD1\_CC2) is activated by high level on PA10 (UCPD1\_DBCC2). This pull-down control (dead battery support on UCPD peripheral) can be disabled by setting bit UCPD1\_DBDIS=1 in the PWR\_CR3 register. PB4, PB6 have UCPD\_CC functionality which implements an internal pull-down resistor (5.1kΩ) which is controlled by the voltage on the UCPD\_DBCC pin (PA10, PA9). A high level on the UCPD\_DBCC pin activates the pull-down on the UCPD\_CC pin. The pull-down effect on the CC lines can be removed by using the bit UCPD1\_DBDIS =1 (USB Type-C and power delivery dead battery disable) in the PWR\_CR3 register.
- It is recommended to set PB8 in another mode than analog mode after startup to limit consumption if the pin is left unconnected.



## 4.11 Alternate functions

Table 13. Alternate function

Port	AF0	AF1	AF2	AF3	AF4	AF5	AF6	AF7	AF8	AF9	AF10	AF11	AF12	AF13	AF14	AF15
	SYS_AF	LPTIM1/ TIM2/5/ 15/16/17	I2C3/ TIM1/2/3/4/5/8/1 5/20/ GPCOMP1	QUADSPI/ I2C3/4/SAI/ USB/ TIM8/15/20/GPC OMP3/ TSC	I2C1/2/3/ 4/ TIM1/8/1 6/17	QUADSPI/SP I1/2/3/4/I2S2/ 3/ I2C4/ UART4/5/TIM 8/ Infrared	QUADSPI/S P12/3/ I2S2/3/ TIM1/5/8/20 / Infrared	USART1/2/3 /CAN/ GPCOMP5/6 /7	I2C3/4/ UART4/5/L PUART1/G PCOMP1/2/ 3/4/5/6/7	CAN/ TIM1/8/1 5/CAN1/2	QUADSPI/TI M2/3/4/8/17	LPTIM1/ TIM1/8/C AN1/3	SDIO/FMC/ LPUART1/ SAI TIM1	SAI/OPAMP2	UART4/5/ SAI/ TIM2/15/ UCPD	EVENT
PA0	-	TIM2_CH1	TIM5_CH1	-	-	-	-	USART2_ CTS	COMP1 _OUT	TIM8_ BKIN	TIM8_ETR	-	-	-	TIM2_ ETR	EVENT OUT
PA1	RTC_ REFIN	TIM2_CH2	TIM5_CH2	-	-	-	-	USART2_ RTS_DE	-	TIM15_ CH1N	-	-	-	-	-	EVENT OUT
PA2	-	TIM2_CH3	TIM5_CH3	-	-	-	-	USART2_ TX	COMP2 _OUT	TIM15_ CH1	QUADSPI_ BK1_NCS	-	LPUART1_TX	-	UCPD_ FRSTX	EVENT OUT
PA3	-	TIM2_CH4	TIM5_CH4	SAI_CK1	-	-	-	USART2_ RX	-	TIM15_ CH2	QUADSPI_ CLK	-	LPUART1_RX	SAI_MCLK_A	-	EVENT OUT
PA4	-	-	TIM3_CH2	-	-	SPI1_NSS	SPI3_NSS/ 2S3_WS	USART2_ CK	-	-	-	-	-	SAI_FS_B	-	EVENT OUT
PA5	-	TIM2_CH1	TIM2_ETR	-	-	SPI1_SCK	-	-	-	-	-	-	-	-	UCPD_ FRSTX	EVENT OUT
PA6	-	TIM16_CH1	TIM3_CH1	-	TIM8_ BKIN	SPI1_MISO	TIM1_BKIN	-	COMP1 _OUT	-	QUADSPI_ BK1_JO3	-	LPUART1_ CTS	-	-	EVENT OUT
PA7	-	TIM17_CH1	TIM3_CH2	-	TIM8_ CH1N	SPI1_MOSI	TIM1_CH1 N	-	COMP2_ OUT	-	QUADSPI_ BK1_IO2	-	-	-	UCPD_ FRSTX	EVENT OUT
PA8	MCO	-	-	-	I2C2_ SMBA	I2S2_MCK	TIM1_CH1	USART1_ CK	COMP7 _OUT	-	TIM4_ETR	CAN3_ RX	SAI_CK2	-	SAI_SCK_ A	EVENT OUT
PA9	-	-	I2C3_SMBA	-	I2C2_ SCL	I2S3_MCK	TIM1_CH2	USART1_ TX	COMP5 _OUT	TIM15_ BKIN	TIM2_CH3	CAN1_ RXFD	-	-	SAI_FS_ A	EVENT OUT
PA10	-	TIM17_BKIN	I2C3_SCL	USB_CRS_ SYNC	I2C2_ SDA	SPI2_MISO	TIM1_CH3	USART1_ RX	COMP6 _OUT	CAN1_T XFD	TIM2_CH4	TIM8_ BKIN	SAI_D1	-	SAI_SD_ A	EVENT OUT
PA11	-	-	-	-	-	SPI2_MOSI/ 2S2_SD	TIM1_CH1 N	USART1_ CTS	COMP1 _OUT	CAN1_ RX	TIM4_CH1	TIM1_CH 4	TIM1_BKIN2	-	-	EVENT OUT
PA12	-	TIM16_CH1	-	-	-	I2SCKIN	TIM1_CH2 N	USART1_ RTS_DE	COMP2 _OUT	CAN1_ TX	TIM4_CH2	TIM1_ ETR	-	-	-	EVENT OUT
PA13	SWDIO- JTMS	TIM16_CH1N	-	-	-	IR_OUT	-	USART3_ CTS	-	-	TIM4_CH3	-	-	SAI_SD_B	-	EVENT OUT
PA14	SWCLK- JTCK	LPTIM1_OUT	-	I2C4_SMBA	I2C1_ SDA	TIM8_CH2	TIM1_ BKIN	USART2_ TX	-	-	-	CAN3_ TXFD	-	SAI_FS_B	-	EVENT OUT
PA15	JTDI	TIM2_CH1	TIM8_CH1	-	I2C1_ SCL	SPI1_NSS	SPI3_NSS/ 2S3_WS	USART2_ RX	UART4_ RTS_DE	TIM1_ BKIN	-	CAN3_ TX	-	-	TIM2_ET R	EVENT OUT



Table 13. Alternate function (continued)

Port	AF0	AF1	AF2	AF3	AF4	AF5	AF6	AF7	AF8	AF9	AF10	AF11	AF12	AF13	AF14	AF15	
	SYS_AF	LPTIM1/ TIM2/5/ 15/16/17	I2C3/ TIM1/2/3/4/5/8/1 5/20/ GPCOMP1	QUADSPI/ I2C3/4/SAI/ USB/ TIM8/15/20/GPC OMP3/ TSC	I2C1/2/3/ 4/ TIM1/8/1 6/17	QUADSPI/SP 1/1/2/3/4/12S2/ 3/ I2C4/ UART4/5/TIM 8/ Infrared	QUADSPI/S P12/3/ I2S2/3/ TIM1/5/8/20 / Infrared	USART1/2/3 /CAN/ GPCOMP5/6 /7	I2C3/4/ UART4/5/L PUART1/G PCOMP1/2/ 3/4/5/6/7	CAN/ TIM1/8/1 5/CAN1/2	QUADSPI/TI M2/3/4/8/17	LPTIM1/ TIM1/8/C AN1/3	SDIO/FMC/ LPUART1/ SAI TIM1	SAI/OPAMP2	UART4/5/ SAI/ TIM2/15/ UCPD	EVENT	
Port B	PB0	-	-	TIM3_CH3	-	TIM8_CH2N	-	TIM1_CH2N	-	-	-	QUADSPI_B K1_I01	-	-	-	UCPD_FRSTX	EVENT OUT
	PB1	-	-	TIM3_CH4	-	TIM8_CH3N	-	TIM1_CH3N	-	COMP4_ UT	-	QUADSPI_B K1_I00	-	LPUART1_RTS _DE	-	-	EVENT OUT
	PB2	-	LPTIM1_OUT	TIM5_CH1	TIM20_CH1	I2C3_ SMBA	-	-	-	-	-	QUADSPI_B K2_I01	-	-	-	-	EVENT OUT
	PB3	JTDO- TRACESWO	TIM2_CH2	TIM4_ETR	USB_CRS_SYN C	TIM8_ CH1N	SPI1_SCK	SPI3_SCK/I 2S3_CK	USART2_TX	-	-	TIM3_ETR	CAN3_R X	-	-	SAI_SCK _B	EVENT OUT
	PB4	JTRST	TIM16_CH1	TIM3_CH1	-	TIM8_ CH2N	SPI1_MISO	SPI3_MISO	USART2_R X	UART5_RT S_DE	-	TIM17_BKIN	CAN3_T X	-	-	SAI_MCL K_B	EVENT OUT
	PB5	-	TIM16_BKIN	TIM3_CH2	TIM8_CH3N	I2C1_ SMBA	SPI1_MOSI	SPI3_MOSI /I2S3_SD	USART2_C K	I2C3_SDA	CAN2_R X	TIM17_CH1	LPTIM1_I N1	SAI_SD_B	-	UART5_ CTS	EVENT OUT
	PB6	-	TIM16_CH1N	TIM4_CH1	I2C4_SCL	I2C1_ SCL	TIM8_CH1	TIM8_ETR	USART1_TX	COMP4_0 UT	CAN2_T X	TIM8_BKIN2	LPTIM1_ ETR	-	-	SAI_FS_ B	EVENT OUT
	PB7	-	TIM17_CH1N	TIM4_CH2	I2C4_SDA	I2C1_ SDA	TIM8_BKIN	-	USART1_R X	COMP3_0 UT	CAN2_T XFD	TIM3_CH4	LPTIM1_I N2	FMC_NL	-	UART4_ CTS	EVENT OUT
	PB8	-	TIM16_CH1	TIM4_CH3	SAI_CK1	I2C1_ SCL	-	-	USART3_R X	COMP1_0 UT	CAN1_R X	TIM8_CH2	-	TIM1_BKIN	-	SAI_MCL K_A	EVENT OUT
	PB9	-	TIM17_CH1	TIM4_CH4	SAI_D2	I2C1_ SDA	-	IR_OUT	USART3_TX	COMP2_0 UT	CAN1_T X	TIM8_CH3	-	TIM1_CH3N	-	SAI_FS_ A	EVENT OUT
	PB10	-	TIM2_CH3	-	-	-	-	-	USART3_TX	LPUART1_ RX	-	QUADSPI_C LK	CAN3_T XFD	TIM1_BKIN	-	SAI_SCK _A	EVENT OUT
	PB11	-	TIM2_CH4	-	-	-	-	-	USART3_R X	LPUART1_ TX	-	QUADSPI_B K1_NCS	CAN3_R XFD	-	-	-	EVENT OUT
	PB12	-	-	TIM5_ETR	-	I2C2_ SMBA	SPI2_NSS/I2 S2_WS	TIM1_BKIN	USART3_C K	LPUART1_ RTS_DE	CAN2_R X	-	-	-	-	-	EVENT OUT
	PB13	-	-	-	-	-	SPI2_SCK/I2 S2_CK	TIM1_CH1 N	USART3_CT S	LPUART1_ CTS	CAN2_T X	-	-	-	-	-	EVENT OUT
	PB14	-	TIM15_CH1	-	-	-	SPI2_MISO	TIM1_CH2 N	USART3_RT S_DE	COMP4_0 UT	-	-	-	-	-	-	EVENT OUT
PB15	RTC_REFIN	TIM15_CH2	TIM15_CH1N	COMP3_OUT	TIM1_ CH3N	SPI2_MOSI/I 2S2_SD	-	-	-	-	-	-	-	-	-	EVENT OUT	



Table 13. Alternate function (continued)

Port	AF0	AF1	AF2	AF3	AF4	AF5	AF6	AF7	AF8	AF9	AF10	AF11	AF12	AF13	AF14	AF15	
	SYS_AF	LPTIM1/ TIM2/5/ 15/16/17	I2C3/ TIM1/2/3/4/5/8/1 5/20/ GPCOMP1	QUADSPI/ I2C3/4/SAI/ USB/ TIM8/15/20/GPC OMP3/ TSC	I2C1/2/3/ 4/ TIM1/8/1 6/17	QUADSPI/SP 11/2/3/4/I2S2/ 3/ I2C4/ UART4/5/TIM 8/ Infrared	QUADSPI/S P12/3/ I2S2/3/ TIM1/5/8/20 / Infrared	USART1/2/3 /CAN/ GPCOMP5/6 /7	I2C3/4/ UART4/5/L PUART1/G PCOMP1/2/ 3/4/5/6/7	CAN/ TIM1/8/1 5/CAN1/2	QUADSPI/TI M2/3/4/8/17	LPTIM1/ TIM1/8/C AN1/3	SDIO/FMC/ LPUART1/ SAI TIM1	SAI/OPAMP2	UART4/5/ SAI/ TIM2/15/ UCPD	EVENT	
Port C	PC0	-	LPTIM1_IN1	TIM1_CH1	-	-	-	-	LPUART1_RX	-	-	-	-	-	-	EVENT OUT	
	PC1	-	LPTIM1_OUT	TIM1_CH2	-	-	-	-	LPUART1_TX	-	QUADSPI_BK2_IO0	-	-	SAI_SD_A	-	EVENT OUT	
	PC2	-	LPTIM1_IN2	TIM1_CH3	COMP3_OUT	-	-	TIM20_CH2	-	-	-	QUADSPI_BK2_IO1	-	-	-	EVENT OUT	
	PC3	-	LPTIM1_ETR	TIM1_CH4	SAI_D1	-	-	TIM1_BKIN2	-	-	-	QUADSPI_BK2_IO2	-	-	SAI_SD_A	-	EVENT OUT
	PC4	-	-	TIM1_ETR	-	I2C2_SCL	-	-	USART1_TX	-	-	QUADSPI_BK2_IO3	-	-	-	-	EVENT OUT
	PC5	-	-	TIM15_BKIN	SAI_D3	-	-	TIM1_CH4N	USART1_RX	-	-	-	-	-	-	-	EVENT OUT
	PC6	-	-	TIM3_CH1	-	TIM8_CH1	-	I2S2_MCK	COMP6_OUT	I2C4_SCL	-	-	-	-	-	-	EVENT OUT
	PC7	-	-	TIM3_CH2	-	TIM8_CH2	-	I2S3_MCK	COMP5_OUT	I2C4_SDA	-	-	-	-	-	-	EVENT OUT
	PC8	-	-	TIM3_CH3	-	TIM8_CH3	-	TIM20_CH3	COMP7_OUT	I2C3_SCL	-	-	-	-	-	-	EVENT OUT
	PC9	-	-	TIM3_CH4	-	TIM8_CH4	I2SCKIN	TIM8_BKIN2	-	I2C3_SDA	-	-	-	-	-	-	EVENT OUT
	PC10	-	-	-	-	TIM8_CH1N	UART4_TX	SPI3_SCK/12S3_CK	USART3_TX	-	-	-	-	-	-	-	EVENT OUT
	PC11	-	-	-	-	TIM8_CH2N	UART4_RX	SPI3_MISO	USART3_RX	I2C3_SDA	-	-	-	-	-	-	EVENT OUT
	PC12	-	TIM5_CH2	-	-	TIM8_CH3N	UART5_TX	SPI3_MOSI/12S3_SD	USART3_CK	-	-	-	-	-	-	UCPD_FRSTX	EVENT OUT
	PC13	-	-	TIM1_BKIN	-	TIM1_CH1N	-	TIM8_CH4N	-	-	-	-	-	-	-	-	EVENT OUT
	PC14	-	-	-	-	-	-	-	-	-	-	-	-	-	-	-	EVENT OUT
	PC15	-	-	-	-	-	-	-	-	-	-	-	-	-	-	-	EVENT OUT





Table 13. Alternate function (continued)

Port	AF0	AF1	AF2	AF3	AF4	AF5	AF6	AF7	AF8	AF9	AF10	AF11	AF12	AF13	AF14	AF15	
	SYS_AF	LPTIM1/ TIM2/5/ 15/16/17	I2C3/ TIM1/2/3/4/5/8/1 5/20/ GPCOMP1	QUADSPI/ I2C3/4/SAI/ USB/ TIM8/15/20/GPC OMP3/ TSC	I2C1/2/3/ 4/ TIM1/8/1 6/17	QUADSPI/SP 1/1/2/3/4/12S2/ 3/ I2C4/ UART4/5/TIM 8/ Infrared	QUADSPI/S P12/3/ I2S2/3/ TIM1/5/8/20 / Infrared	USART1/2/3 /CAN/ GPCOMP5/6 /7	I2C3/4/ UART4/5/L PUART1/G PCOMP1/2/ 3/4/5/6/7	CAN/ TIM1/8/1 5/CAN1/2	QUADSPI/TI M2/3/4/8/17	LPTIM1/ TIM1/8/C AN1/3	SDIO/FMC/ LPUART1/ SAI TIM1	SAI/OPAMP2	UART4/5/ SAI/ TIM2/15/ UCPD	EVENT	
Port D	PD0	-	-	-	-	-	TIM8_CH4 N	-	-	CAN1_R X	-	-	FMC_D2	-	-	EVENT OUT	
	PD1	-	-	-	-	TIM8_ CH4	TIM8_BKIN 2	-	-	CAN1_T X	-	-	FMC_D3	-	-	EVENT OUT	
	PD2	-	-	TIM3_ETR	-	TIM8_ BKIN	UART5_RX	-	-	-	-	-	-	-	-	EVENT OUT	
	PD3	-	-	TIM2_CH1/TIM2 _ETR	-	-	-	-	USART2_CT S	-	-	QUADSPI_B K2_NCS	-	FMC_CLK	-	-	EVENT OUT
	PD4	-	-	TIM2_CH2	-	-	-	-	USART2_RT S_DE	-	CAN1_R XFD	QUADSPI_B K2_IO0	-	FMC_NOE	-	-	EVENT OUT
	PD5	-	-	-	-	-	-	-	USART2_TX	-	CAN1_T XFD	QUADSPI_B K2_IO1	-	FMC_NWE	-	-	EVENT OUT
	PD6	-	-	TIM2_CH4	SAI_D1	-	-	-	USART2_ RX	-	CAN2_R XFD	QUADSPI_B K2_IO2	-	FMC_NWAIT	SAI_SD_A	-	EVENT OUT
	PD7	-	-	TIM2_CH3	-	-	-	-	USART2_ CK	-	-	QUADSPI_B K2_IO3	-	FMC_NCE/FM C_NE1	-	-	EVENT OUT
	PD8	-	-	-	-	-	-	-	USART3_TX	-	-	-	-	FMC_D13	-	-	EVENT OUT
	PD9	-	-	-	-	-	-	-	USART3_ RX	-	CAN2_R XFD	-	-	FMC_D14	-	-	EVENT OUT
	PD10	-	-	-	-	-	-	-	USART3_ CK	-	CAN2_T XFD	-	-	FMC_D15	-	-	EVENT OUT
	PD11	-	TIM5_ETR	-	-	I2C4_ SMBA	-	-	USART3_ CTS	-	-	-	-	FMC_A16	-	-	EVENT OUT
	PD12	-	-	TIM4_CH1	-	-	-	-	USART3_ RTS_DE	-	-	-	-	FMC_A17	-	-	EVENT OUT
	PD13	-	-	TIM4_CH2	-	-	-	-	-	-	-	-	-	FMC_A18	-	-	EVENT OUT
	PD14	-	-	TIM4_CH3	-	-	-	-	-	-	-	-	-	FMC_D0	-	-	EVENT OUT
	PD15	-	-	TIM4_CH4	-	-	-	SPI2_NSS	-	-	-	-	-	FMC_D1	-	-	EVENT OUT



Table 13. Alternate function (continued)

Port	AF0	AF1	AF2	AF3	AF4	AF5	AF6	AF7	AF8	AF9	AF10	AF11	AF12	AF13	AF14	AF15	
	SYS_AF	LPTIM1/ TIM2/5/ 15/16/17	I2C3/ TIM1/2/3/4/5/8/1 5/20/ GPCOMP1	QUADSPI/ I2C3/4/SAI/ USB/ TIM8/15/20/GPC OMP3/ TSC	I2C1/2/3/ 4/ TIM1/8/1 6/17	QUADSPI/SP 11/2/3/4/12S2/ 3/ I2C4/ UART4/5/TIM 8/ Infrared	QUADSPI/S PI2/3/ I2S2/3/ TIM1/5/8/20 / Infrared	USART1/2/3 /CAN/ GPCOMP5/6 /7	I2C3/4/ UART4/5/L PUART1/G PCOMP1/2/ 3/4/5/6/7	CAN/ TIM1/8/1 5/CAN1/2	QUADSPI/TI M2/3/4/8/17	LPTIM1/ TIM1/8/C AN1/3	SDIO/FMC/ LPUART1/ SAI TIM1	SAI/OPAMP2	UART4/5/ SAI/ TIM2/15/ UCPD	EVENT	
Port E	PE0	-	-	TIM4_ETR	TIM20_CH4N	TIM16_CH1	-	TIM20_ETR	USART1_TX	-	CAN1_RXFD	-	-	FMC_NBL0	-	-	EVENT OUT
	PE1	-	-	-	-	TIM17_CH1	-	TIM20_CH4	USART1_RX	-	CAN1_TXFD	-	-	FMC_NBL1	-	-	EVENT OUT
	PE2	TRACECK	-	TIM3_CH1	SAI_CK1	-	SPI4_SCK	TIM20_CH1	-	-	-	-	-	FMC_A23	SAI_MCLK_A	-	EVENT OUT
	PE3	TRACED0	-	TIM3_CH2	-	-	SPI4_NSS	TIM20_CH2	-	-	-	-	-	FMC_A19	SAI_SD_B	-	EVENT OUT
	PE4	TRACED1	-	TIM3_CH3	SAI_D2	-	SPI4_NSS	TIM20_CH1_N	-	-	-	-	-	FMC_A20	SAI_FS_A	-	EVENT OUT
	PE5	TRACED2	-	TIM3_CH4	SAI_CK2	-	SPI4_MISO	TIM20_CH2_N	-	-	-	-	-	FMC_A21	SAI_SCK_A	-	EVENT OUT
	PE6	TRACED3	-	-	SAI_D1	-	SPI4_MOSI	TIM20_CH3_N	-	-	-	-	-	FMC_A22	SAI_SD_A	-	EVENT OUT
	PE7	-	-	TIM1_ETR	-	-	-	-	-	-	-	-	-	FMC_D4	SAI_SD_B	-	EVENT OUT
	PE8	-	TIM5_CH3	TIM1_CH1N	-	-	-	-	-	-	-	-	-	FMC_D5	SAI_SCK_B	-	EVENT OUT
	PE9	-	TIM5_CH4	TIM1_CH1	-	-	-	-	-	-	-	-	-	FMC_D6	SAI_FS_B	-	EVENT OUT
	PE10	-	-	TIM1_CH2N	-	-	-	-	-	-	-	QUADSPI_CLK	-	FMC_D7	SAI_MCLK_B	-	EVENT OUT
	PE11	-	-	TIM1_CH2	-	-	SPI4_NSS	-	-	-	-	QUADSPI_BK1_NCS	-	FMC_D8	-	-	EVENT OUT
	PE12	-	-	TIM1_CH3N	-	-	SPI4_SCK	-	-	-	-	QUADSPI_BK1_IO0	-	FMC_D9	-	-	EVENT OUT
	PE13	-	-	TIM1_CH3	-	-	SPI4_MISO	-	-	-	-	QUADSPI_BK1_IO1	-	FMC_D10	-	-	EVENT OUT
	PE14	-	-	TIM1_CH4	-	-	SPI4_MOSI	TIM1_BKIN2	-	-	-	QUADSPI_BK1_IO2	-	FMC_D11	-	-	EVENT OUT
	PE15	-	-	TIM1_BKIN	-	-	-	TIM1_CH4N	USART3_RX	-	-	QUADSPI_BK1_IO3	-	FMC_D12	-	-	EVENT OUT



Table 13. Alternate function (continued)

Port	AF0	AF1	AF2	AF3	AF4	AF5	AF6	AF7	AF8	AF9	AF10	AF11	AF12	AF13	AF14	AF15	
	SYS_AF	LPTIM1/ TIM2/5/ 15/16/17	I2C3/ TIM1/2/3/4/5/8/1 5/20/ GPCOMP1	QUADSPI/ I2C3/4/SAI/ USB/ TIM8/15/20/GPC OMP3/ TSC	I2C1/2/3/ 4/ TIM1/8/1 6/17	QUADSPI/SP 11/2/3/4/I2S2/ 3/ I2C4/ UART4/5/TIM 8/ Infrared	QUADSPI/S PI2/3/ I2S2/3/ TIM1/5/8/20 / Infrared	USART1/2/3 /CAN/ GPCOMP5/6 /7	I2C3/4/ UART4/5/L PUART1/G PCOMP1/2/ 3/4/5/6/7	CAN/ TIM1/8/1 5/CAN1/2	QUADSPI/TI M2/3/4/8/17	LPTIM1/ TIM1/8/C AN1/3	SDIO/FMC/ LPUART1/ SAI TIM1	SAI/OPAMP2	UART4/5/ SAI/ TIM2/15/ UCPD	EVENT	
Port F	PF0	-	-	-	-	I2C2_ SDA	SPI2_NSS/I2 S2_WS	TIM1_CH3 N	-	-	-	-	-	-	-	EVENT OUT	
	PF1	-	-	-	-	-	SPI2_SCK/I2 S2_CK	-	-	-	-	-	-	-	-	EVENT OUT	
	PF2	-	-	TIM20_CH3	-	I2C2_ SMBA	-	-	-	-	-	-	FMC_A2	-	-	EVENT OUT	
	PF3	-	-	TIM20_CH4	-	I2C3_ SCL	-	-	-	-	-	-	FMC_A3	-	-	EVENT OUT	
	PF4	-	-	COMP1_OUT	TIM20_CH1N	I2C3_ SDA	-	-	-	-	-	-	FMC_A4	-	-	EVENT OUT	
	PF5	-	-	TIM20_CH2N	-	-	-	-	-	-	-	-	FMC_A5	-	-	EVENT OUT	
	PF6	-	TIM5_ETR	TIM4_CH4	SAI_SD_B	I2C2_ SCL	-	TIM5_CH1	USART3_ RTS	-	-	QUADSPI_ BK1_IO3	-	-	-	EVENT OUT	
	PF7	-	-	TIM20_BKIN	-	-	-	TIM5_CH2	-	-	-	QUADSPI_ BK1_IO2	-	FMC_A1	SAI_MCLK_B	-	EVENT OUT
	PF8	-	-	TIM20_BKIN2	-	-	-	TIM5_CH3	-	-	-	QUADSPI_ BK1_IO0	-	FMC_A24	SAI_SCK_B	-	EVENT OUT
	PF9	-	-	TIM20_BKIN	TIM15_CH1	-	SPI2_SCK	TIM5_CH4	-	-	-	QUADSPI_ BK1_IO1	-	FMC_A25	SAI_FS_B	-	EVENT OUT
	PF10	-	-	TIM20_BKIN2	TIM15_CH2	-	SPI2_SCK	-	-	-	-	QUADSPI_ CLK	-	FMC_A0	SAI_D3	-	EVENT OUT
	PF11	-	-	TIM20_ETR	-	-	-	-	-	-	-	-	-	FMC_NE4	-	-	EVENT OUT
	PF12	-	-	TIM20_CH1	-	-	-	-	-	-	-	-	-	FMC_A6	-	-	EVENT OUT
	PF13	-	-	TIM20_CH2	-	I2C4_ SMBA	-	-	-	-	-	-	-	FMC_A7	-	-	EVENT OUT
	PF14	-	-	TIM20_CH3	-	I2C4_ SCL	-	-	-	-	-	-	-	FMC_A8	-	-	EVENT OUT
PF15	-	-	TIM20_CH4	-	I2C4_ SDA	-	-	-	-	-	-	-	FMC_A9	-	-	EVENT OUT	



Table 13. Alternate function (continued)

Port	AF0	AF1	AF2	AF3	AF4	AF5	AF6	AF7	AF8	AF9	AF10	AF11	AF12	AF13	AF14	AF15
	SYS_AF	LPTIM1/ TIM2/5/ 15/16/17	I2C3/ TIM1/2/3/4/5/8/1 5/20/ GPCOMP1	QUADSPI/ I2C3/4/SAI/ USB/ TIM8/15/20/GPC OMP3/ TSC	I2C1/2/3/ 4/ TIM1/8/1 6/17	QUADSPI/SP 11/2/3/4/I2S2/ 3/ I2C4/ UART4/5/TIM 8/ Infrared	QUADSPI/S P12/3/ I2S2/3/ TIM1/5/8/20 / Infrared	USART1/2/3 /CAN/ GPCOMP5/6 /7	I2C3/4/ UART4/5/L PUART1/G PCOMP1/2/ 3/4/5/6/7	CAN/ TIM1/8/1 5/CAN1/2	QUADSPI/TI M2/3/4/8/17	LPTIM1/ TIM1/8/C AN1/3	SDIO/FMC/ LPUART1/ SAI TIM1	SAI/OPAMP2	UART4/5/ SAI/ TIM2/15/ UCPD	EVENT
Port G	PG0	-	-	TIM20_CH1N	-	-	-	-	-	-	-	-	FMC_A10	-	-	EVENT OUT
	PG1	-	-	TIM20_CH2N	-	-	-	-	-	-	-	-	FMC_A11	-	-	EVENT OUT
	PG2	-	-	TIM20_CH3N	-	-	SPI1_SCK	-	-	-	-	-	FMC_A12	-	-	EVENT OUT
	PG3	-	-	TIM20_BKIN	-	I2C4_ SCL	SPI1_MISO	TIM20_CH4 N	-	-	-	-	FMC_A13	-	-	EVENT OUT
	PG4	-	-	TIM20_BKIN2	-	I2C4_ SDA	SPI1_MOSI	-	-	-	-	-	FMC_A14	-	-	EVENT OUT
	PG5	-	-	TIM20_ETR	-	-	SPI1_NSS	-	-	LPUART1_ CTS	-	-	FMC_A15	-	-	EVENT OUT
	PG6	-	-	TIM20_BKIN	-	I2C3_ SMBA	-	-	-	LPUART1_ RTS_DE	-	-	FMC_INT	-	-	EVENT OUT
	PG7	-	-	-	SAI_CK1	I2C3_ SCL	-	-	-	LPUART1_ TX	-	-	FMC_INT	SAI_MCLK_A	-	EVENT OUT
	PG8	-	-	-	-	I2C3_ SDA	-	-	-	LPUART1_ RX	-	-	FMC_NE3	-	-	EVENT OUT
	PG9	-	-	-	-	-	-	SPI3_SCK	USART1_TX	-	-	-	FMC_NCE/FM C_NE2	-	TIM15_C H1N	EVENT OUT
	PG10	MCO	-	-	-	-	-	-	-	-	-	-	-	-	-	-

## 5 Electrical characteristics

### 5.1 Parameter conditions

Unless otherwise specified, all voltages are referenced to  $V_{SS}$ .

#### 5.1.1 Minimum and maximum values

Unless otherwise specified, the minimum and maximum values are guaranteed in the worst conditions of ambient temperature, supply voltage and frequencies by tests in production on 100% of the devices with an ambient temperature at  $T_A = 25\text{ °C}$  and  $T_A = T_{Amax}$  (given by the selected temperature range).

Data based on characterization results, design simulation and/or technology characteristics are indicated in the table footnotes and are not tested in production. Based on characterization, the minimum and maximum values refer to sample tests and represent the mean value plus or minus three times the standard deviation (mean  $\pm 3\sigma$ ).

#### 5.1.2 Typical values

Unless otherwise specified, typical data are based on  $T_A = 25\text{ °C}$ ,  $V_{DD} = V_{DDA} = 3\text{ V}$ . They are given only as design guidelines and are not tested.

Typical ADC accuracy values are determined by characterization of a batch of samples from a standard diffusion lot over the full temperature range, where 95% of the devices have an error less than or equal to the value indicated (mean  $\pm 2\sigma$ ).

#### 5.1.3 Typical curves

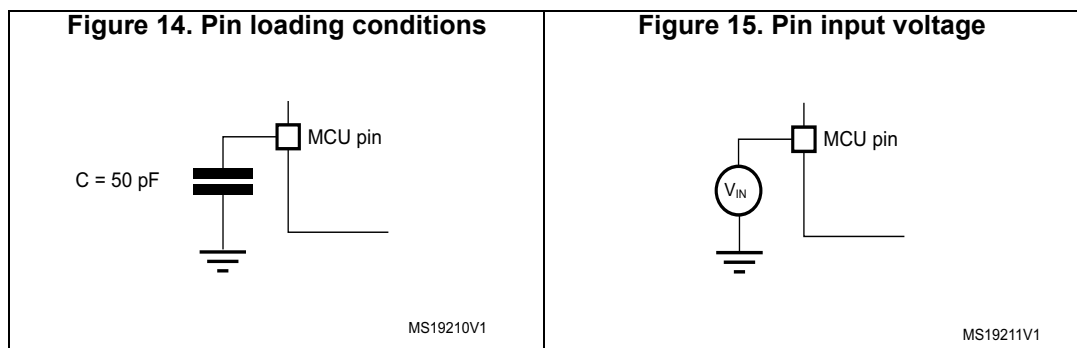
Unless otherwise specified, all typical curves are given only as design guidelines and are not tested.

#### 5.1.4 Loading capacitor

The loading conditions used for pin parameter measurement are shown in [Figure 14](#).

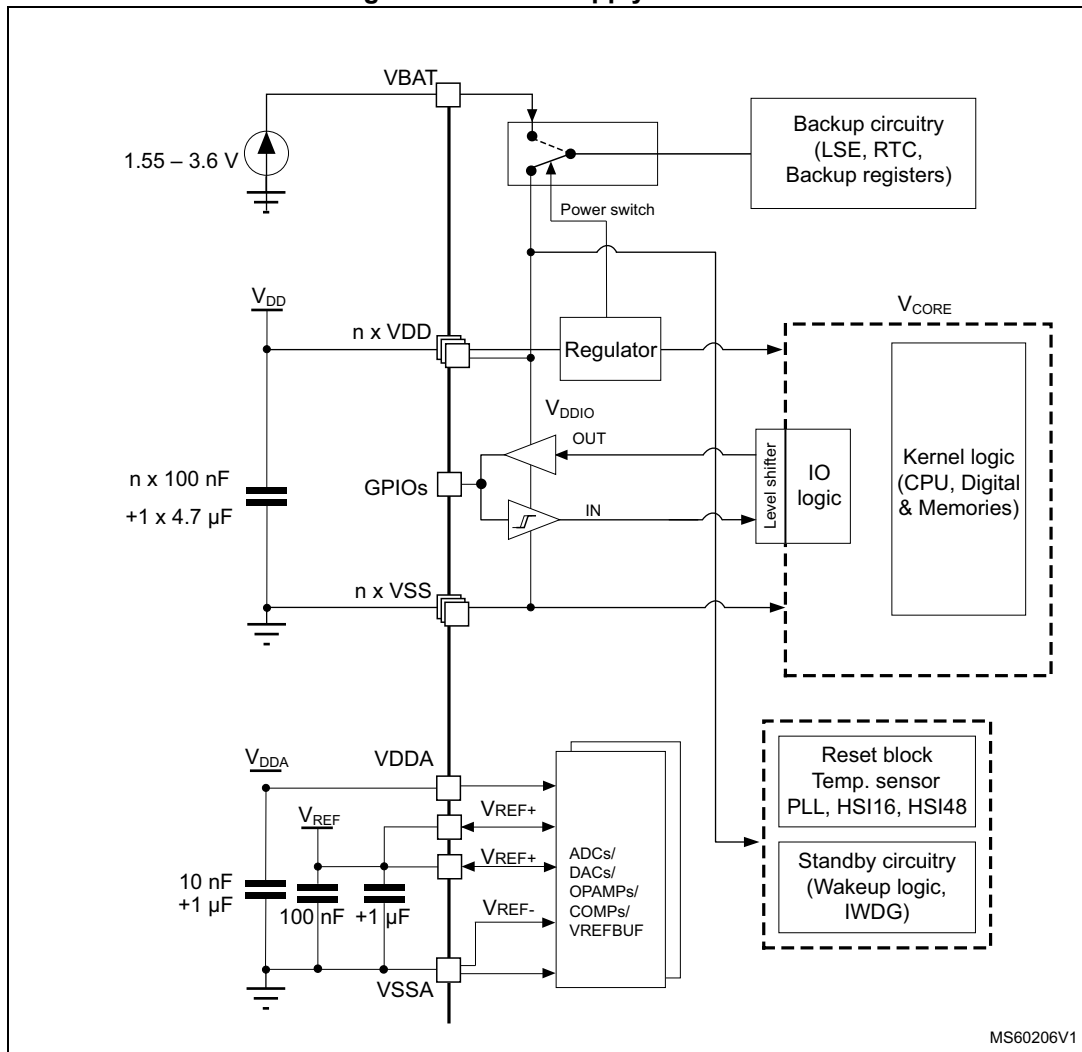
#### 5.1.5 Pin input voltage

The input voltage measurement on a pin of the device is described in [Figure 15](#).



### 5.1.6 Power supply scheme

Figure 16. Power supply scheme

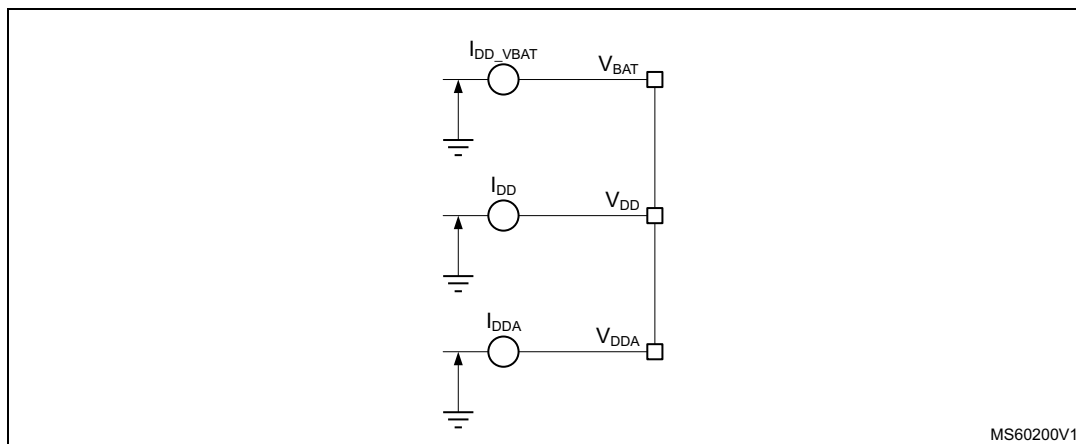


MS60206V1

**Caution:** Each power supply pair ( $V_{DD}/V_{SS}$ ,  $V_{DDA}/V_{SSA}$  etc.) must be decoupled with filtering ceramic capacitors as shown above. These capacitors must be placed as close as possible to, or below, the appropriate pins on the underside of the PCB to ensure the good functionality of the device.

### 5.1.7 Current consumption measurement

Figure 17. Current consumption measurement



The  $I_{DD\_ALL}$  parameters given in [Table 21](#) to [Table 25](#) represent the total MCU consumption including the current supplying  $V_{DD}$ ,  $V_{DDA}$  and  $V_{BAT}$ .

## 5.2 Absolute maximum ratings

Stresses above the absolute maximum ratings listed in [Table 14: Voltage characteristics](#), [Table 15: Current characteristics](#) and [Table 16: Thermal characteristics](#) may cause permanent damage to the device. These are stress ratings only and functional operation of the device at these conditions is not implied. Exposure to maximum rating conditions for extended periods may affect device reliability. Device mission profile (application conditions) is compliant with JEDEC JESD47 qualification standard, extended mission profiles are available on demand.

Table 14. Voltage characteristics<sup>(1)</sup>

Symbol	Ratings	Min	Max	Unit
$V_{DD} - V_{SS}$	External main supply voltage (including $V_{DD}$ , $V_{DDA}$ , $V_{BAT}$ and $V_{REF+}$ )	-0.3	4.0	V
$V_{IN}^{(2)}$	Input voltage on FT_XXX pins except FT_c pins	$V_{SS}-0.3$	$\min(V_{DD}, V_{DDA}) + 4.0^{(3)(4)}$	
	Input voltage on FT_c pins	$V_{SS}-0.3$	5.5	
	Input voltage on TT_xx pins	$V_{SS}-0.3$	4.0	
	Input voltage on any other pins	$V_{SS}-0.3$	4.0	
$ \Delta V_{DDx} $	Variations between different $V_{DDx}$ power pins of the same domain	-	50	mV
$ V_{SSx}-V_{SS} $	Variations between all the different ground pins <sup>(5)</sup>	-	50	
$V_{REF+}-V_{DDA}$	Allowed voltage difference for $V_{REF+} > V_{DDA}$	-	0.4	V

1. All main power ( $V_{DD}$ ,  $V_{DDA}$ ,  $V_{BAT}$ ) and ground ( $V_{SS}$ ,  $V_{SSA}$ ) pins must always be connected to the external power supply, in the permitted range.

2.  $V_{IN}$  maximum must always be respected. Refer to [Table 15: Current characteristics](#) for the maximum allowed injected current values.
3. This formula has to be applied only on the power supplies related to the IO structure described in the pin definition table.
4. To sustain a voltage higher than 4 V the internal pull-up/pull-down resistors must be disabled.
5. Include VREF- pin.

**Table 15. Current characteristics**

Symbol	Ratings	Max	Unit
$\sum IV_{DD}$	Total current into sum of all $V_{DD}$ power lines (source) <sup>(1)</sup>	150	mA
$\sum IV_{SS}$	Total current out of sum of all $V_{SS}$ ground lines (sink) <sup>(1)</sup>	150	
$IV_{DD(PIN)}$	Maximum current into each $V_{DD}$ power pin (source) <sup>(1)</sup>	100	
$IV_{SS(PIN)}$	Maximum current out of each $V_{SS}$ ground pin (sink) <sup>(1)</sup>	100	
$I_{IO(PIN)}$	Output current sunk by any I/O and control pin except FT_f	20	
	Output current sunk by any FT_f pin	20	
	Output current sourced by any I/O and control pin	20	
$\sum I_{IO(PIN)}$	Total output current sunk by sum of all I/Os and control pins <sup>(2)</sup>	100	
	Total output current sourced by sum of all I/Os and control pins <sup>(2)</sup>	100	
$I_{INJ(PIN)}^{(3)}$	Injected current on FT_xxx, TT_xx, NRST pins	-5/0 <sup>(4)</sup>	
$\sum  I_{INJ(PIN)} $	Total injected current (sum of all I/Os and control pins) <sup>(5)</sup>	±25	

1. All main power ( $V_{DD}$ ,  $V_{DDA}$ ,  $V_{BAT}$ ) and ground ( $V_{SS}$ ,  $V_{SSA}$ ) pins must always be connected to the external power supplies, in the permitted range.
2. This current consumption must be correctly distributed over all I/Os and control pins. The total output current must not be sunk/sourced between two consecutive power supply pins referring to high pin count LQFP packages.
3. Positive injection (when  $V_{IN} > V_{DD}$ ) is not possible on these I/Os and does not occur for input voltages lower than the specified maximum value.
4. A negative injection is induced by  $V_{IN} < V_{SS}$ .  $I_{INJ(PIN)}$  must never be exceeded. Refer also to [Table 14: Voltage characteristics](#) for the minimum allowed input voltage values.
5. When several inputs are submitted to a current injection, the maximum  $\sum |I_{INJ(PIN)}|$  is the absolute sum of the negative injected currents (instantaneous values).

**Table 16. Thermal characteristics**

Symbol	Ratings	Value	Unit
$T_{STG}$	Storage temperature range	-65 to +150	°C
$T_J$	Maximum junction temperature	150	°C



## 5.3 Operating conditions

### 5.3.1 General operating conditions

Table 17. General operating conditions

Symbol	Parameter	Conditions	Min	Max	Unit
f <sub>HCLK</sub>	Internal AHB clock frequency	-	0	170	MHz
f <sub>PCLK1</sub>	Internal APB1 clock frequency	-	0	170	
f <sub>PCLK2</sub>	Internal APB2 clock frequency	-	0	170	
V <sub>DD</sub>	Standard operating voltage	-	1.71 <sup>(1)</sup>	3.6	V
V <sub>DDA</sub>	Analog supply voltage	ADC or COMP used	1.62	3.6	V
		DAC 1 MSPS or DAC 15 MSPS	1.71		
		OPAMP used	2.0	3.6	
		VREFBUF used	2.4	3.6	
		ADC, DAC, OPAMP, COMP, VREFBUF not used	0		
V <sub>BAT</sub>	Backup operating voltage	-	1.55	3.6	V
V <sub>IN</sub>	I/O input voltage	TT_xx	-0.3	V <sub>DD</sub> +0.3	V
		FT_c	-0.3	5	
		All I/O except TT_xx and FT_c	-0.3	MIN(MIN(V <sub>DD</sub> , V <sub>DDA</sub> )+3.6 V, 5.5 V) <sup>(2)(3)</sup>	
P <sub>D</sub>	Power dissipation	See <a href="#">Section 6.10: Thermal characteristics</a> for application appropriate thermal resistance and package. Power dissipation is then calculated according ambient temperature (T <sub>A</sub> ) and maximum junction temperature (T <sub>J</sub> ) and selected thermal resistance.			mW
P <sub>D</sub>	Power dissipation	See <a href="#">Section 6.10: Thermal characteristics</a> for application appropriate thermal resistance and package. Power dissipation is then calculated according to ambient temperature (T <sub>A</sub> ), maximum junction temperature (T <sub>J</sub> ) and selected thermal resistance.			mW
T <sub>A</sub>	Ambient temperature for the suffix 6 version	Maximum power dissipation	-40	85	°C
		Low-power dissipation <sup>(4)</sup>	-40	105	
	Ambient temperature for the suffix 3 version	Maximum power dissipation	-40	125	
		Low-power dissipation <sup>(4)</sup>	-40	130	
T <sub>J</sub>	Junction temperature range	Suffix 6 version	-40	105	°C
		Suffix 3 version	-40	130	

- When RESET is released functionality is guaranteed down to V<sub>BOR0</sub> Min.
- This formula has to be applied only on the power supplies related to the IO structure described by the pin definition table. Maximum I/O input voltage is the smallest value between MIN(V<sub>DD</sub>, V<sub>DDA</sub>)+3.6 V and 5.5V.

3. For operation with voltage higher than  $\text{Min}(V_{DD}, V_{DDA}) + 0.3 \text{ V}$ , the internal Pull-up and Pull-Down resistors must be disabled.
4. In low-power dissipation state,  $T_A$  can be extended to this range as long as  $T_J$  does not exceed  $T_{J\text{max}}$  (see [Section 6.10: Thermal characteristics](#)).

### 5.3.2 Operating conditions at power-up / power-down

The parameters given in [Table 18](#) are derived from tests performed under the ambient temperature condition summarized in [Table 17](#).

**Table 18. Operating conditions at power-up / power-down**

Symbol	Parameter	Conditions	Min	Max	Unit
$t_{VDD}$	$V_{DD}$ rise time rate	-	0	$\infty$	$\mu\text{s/V}$
	$V_{DD}$ fall time rate		10	$\infty$	
$t_{VDDA}$	$V_{DDA}$ rise time rate	-	0	$\infty$	$\mu\text{s/V}$
	$V_{DDA}$ fall time rate		10	$\infty$	

### 5.3.3 Embedded reset and power control block characteristics

The parameters given in [Table 19](#) are derived from tests performed under the ambient temperature conditions summarized in [Table 17: General operating conditions](#).

**Table 19. Embedded reset and power control block characteristics**

Symbol	Parameter	Conditions <sup>(1)</sup>	Min	Typ	Max	Unit
$t_{RSTTEMPO}$ <sup>(2)</sup>	Reset temporization after BOR0 is detected	$V_{DD}$ rising	-	250	400	$\mu\text{s}$
$V_{BOR0}$ <sup>(2)</sup>	Brown-out reset threshold 0	Rising edge	1.62	1.66	1.7	V
		Falling edge	1.6	1.64	1.69	
$V_{BOR1}$	Brown-out reset threshold 1	Rising edge	2.06	2.1	2.14	V
		Falling edge	1.96	2	2.04	
$V_{BOR2}$	Brown-out reset threshold 2	Rising edge	2.26	2.31	2.35	V
		Falling edge	2.16	2.20	2.24	
$V_{BOR3}$	Brown-out reset threshold 3	Rising edge	2.56	2.61	2.66	V
		Falling edge	2.47	2.52	2.57	
$V_{BOR4}$	Brown-out reset threshold 4	Rising edge	2.85	2.90	2.95	V
		Falling edge	2.76	2.81	2.86	
$V_{PVD0}$	Programmable voltage detector threshold 0	Rising edge	2.1	2.15	2.19	V
		Falling edge	2	2.05	2.1	
$V_{PVD1}$	PVD threshold 1	Rising edge	2.26	2.31	2.36	V
		Falling edge	2.15	2.20	2.25	
$V_{PVD2}$	PVD threshold 2	Rising edge	2.41	2.46	2.51	V
		Falling edge	2.31	2.36	2.41	
$V_{PVD3}$	PVD threshold 3	Rising edge	2.56	2.61	2.66	V
		Falling edge	2.47	2.52	2.57	

Table 19. Embedded reset and power control block characteristics (continued)

Symbol	Parameter	Conditions <sup>(1)</sup>	Min	Typ	Max	Unit
V <sub>PVD4</sub>	PVD threshold 4	Rising edge	2.69	2.74	2.79	V
		Falling edge	2.59	2.64	2.69	
V <sub>PVD5</sub>	PVD threshold 5	Rising edge	2.85	2.91	2.96	V
		Falling edge	2.75	2.81	2.86	
V <sub>PVD6</sub>	PVD threshold 6	Rising edge	2.92	2.98	3.04	V
		Falling edge	2.84	2.90	2.96	
V <sub>hyst_BORH0</sub>	Hysteresis voltage of BORH0	Hysteresis in continuous mode	-	20	-	mV
		Hysteresis in other mode	-	30	-	
V <sub>hyst_BOR_PVD</sub>	Hysteresis voltage of BORH (except BORH0) and PVD	-	-	100	-	mV
I <sub>DD</sub> (BOR_PVD) <sup>(2)</sup>	BOR <sup>(3)</sup> (except BOR0) and PVD consumption from V <sub>DD</sub>	-	-	1.1	1.6	μA
V <sub>PVM1</sub>	V <sub>DDA</sub> peripheral voltage monitoring (COMP/ADC)	Rising edge	1.61	1.65	1.69	V
		Falling edge	1.6	1.64	1.68	
V <sub>PVM2</sub>	V <sub>DDA</sub> peripheral voltage monitoring (OPAMP/DAC)	Rising edge	1.78	1.82	1.86	V
		Falling edge	1.77	1.81	1.85	
V <sub>hyst_PVM1</sub>	PVM1 hysteresis	-	-	10	-	mV
V <sub>hyst_PVM2</sub>	PVM2 hysteresis	-	-	10	-	mV
I <sub>DD</sub> (PVM1/PVM2) <sup>(2)</sup>	PVM1 and PVM2 consumption from V <sub>DD</sub>	-	-	2	-	μA

1. Continuous mode means Run/Sleep modes, or temperature sensor enable in Low-power run/Low-power sleep modes.
2. Guaranteed by design.
3. BOR0 is enabled in all modes (except shutdown) and its consumption is therefore included in the supply current characteristics tables.

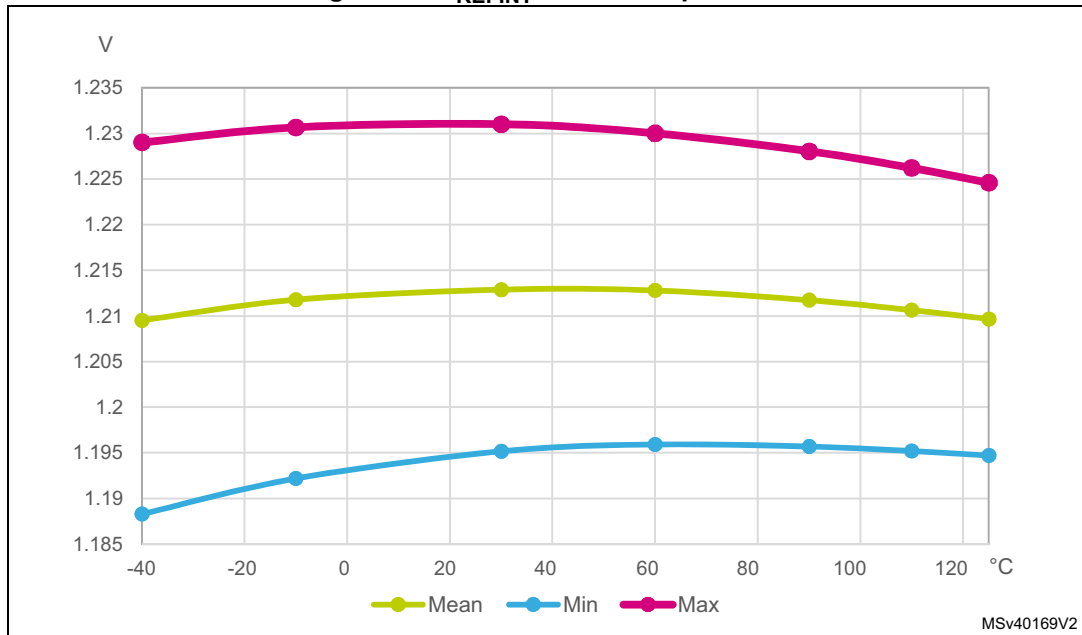
### 5.3.4 Embedded voltage reference

The parameters given in [Table 20](#) are derived from tests performed under the ambient temperature and supply voltage conditions summarized in [Table 17: General operating conditions](#).

**Table 20. Embedded internal voltage reference**

Symbol	Parameter	Conditions	Min	Typ	Max	Unit
$V_{REFINT}$	Internal reference voltage	$-40\text{ °C} < T_A < +130\text{ °C}$	1.182	1.212	1.232	V
$t_{S\_vrefint}^{(1)}$	ADC sampling time when reading the internal reference voltage	-	4 <sup>(2)</sup>	-	-	μs
$t_{start\_vrefint}$	Start time of reference voltage buffer when ADC is enable	-	-	8	12 <sup>(2)</sup>	μs
$I_{DD}(V_{REFINTBUF})$	$V_{REFINT}$ buffer consumption from $V_{DD}$ when converted by ADC	-	-	12.5	20 <sup>(2)</sup>	μA
$\Delta V_{REFINT}$	Internal reference voltage spread over the temperature range	$V_{DD} = 3\text{ V}$	-	5	7.5 <sup>(2)</sup>	mV
$T_{Coeff}$	Average temperature coefficient	$-40\text{ °C} < T_A < +130\text{ °C}$	-	30	50 <sup>(2)</sup>	ppm/°C
$A_{Coeff}$	Long term stability	1000 hours, $T = 25\text{ °C}$	-	300	1000 <sup>(2)</sup>	ppm
$V_{DDCoeff}$	Average voltage coefficient	$3.0\text{ V} < V_{DD} < 3.6\text{ V}$	-	250	1200 <sup>(2)</sup>	ppm/V
$V_{REFINT\_DIV1}$	1/4 reference voltage	-	24	25	26	% $V_{REFINT}$
$V_{REFINT\_DIV2}$	1/2 reference voltage		49	50	51	
$V_{REFINT\_DIV3}$	3/4 reference voltage		74	75	76	

1. The shortest sampling time is determined in the application by multiple iterations.
2. Guaranteed by design.

Figure 18.  $V_{REFINT}$  versus temperature

### 5.3.5 Supply current characteristics

The current consumption is a function of several parameters and factors such as the operating voltage, ambient temperature, I/O pin loading, device software configuration, operating frequencies, I/O pin switching rate, program location in memory and executed binary code

The current consumption is measured as described in [Figure 17: Current consumption measurement](#).

#### Typical and maximum current consumption

The MCU is placed under the following conditions:

- All I/O pins are in analog input mode
- All peripherals are disabled except when explicitly mentioned
- The Flash memory access time is adjusted with the minimum wait states number, depending on the  $f_{HCLK}$  frequency (refer to the table “number of wait states according to CPU clock (HCLK) frequency” available in the reference manual RM0440 “STM32G4 Series advanced Arm<sup>®</sup>-based 32-bit MCUs”).
- When the peripherals are enabled  $f_{PCLK} = f_{HCLK}$
- The voltage scaling Range 1 is adjusted to  $f_{HCLK}$  frequency as follows:
  - Voltage Range 1 Boost mode for  $150 \text{ MHz} < f_{HCLK} \leq 170 \text{ MHz}$
  - Voltage Range 1 Normal mode for  $26 \text{ MHz} < f_{HCLK} \leq 150 \text{ MHz}$

The parameters given in [Table 21](#) to [Table 25](#) are derived from tests performed under ambient temperature and supply voltage conditions summarized in [Table 17: General operating conditions](#).

**Table 21. Current consumption in Run and Low-power run modes, code with data processing running from Flash in single Bank, ART enable (Cache ON Prefetch OFF)**

Symbol	Parameter	Condition		f <sub>HCLK</sub>	Typ					Max					Unit
		-	Voltage scaling		25°C	55°C	85°C	105°C	125°C	25°C	55°C	85°C	105°C	125°C	
IDD (Run)	Supply current in Run mode	f <sub>HCLK</sub> = f <sub>HSE</sub> up to 48 MHz included, bypass mode PLL ON above 48 MHz all peripherals disable	Range 2	26 MHz	3.65	3.85	4.45	5.1	6.45	4.40	6.60	11.0	16.0	22.0	mA
				16 MHz	2.30	2.55	3.1	3.8	5.15	3.00	5.00	9.00	14.9	21.0	
				8 MHz	1.25	1.50	2.05	2.8	4.1	2.00	3.6	7.70	13.0	19.0	
				4 MHz	0.75	0.955	1.5	2.3	3.6	1.40	3.00	7.00	12.0	19.0	
				2 MHz	0.47	0.69	1.25	2	3.35	0.990	2.60	6.70	12.0	19.0	
				1 MHz	0.34	0.55	1.1	1.9	3.2	0.830	2.50	6.50	12.0	18.0	
				100 KHz	0.22	0.43	0.98	1.75	3.1	0.690	2.30	6.30	11.0	18.0	
			Range 1 Boost mode	170 MHz	29.50	29.5	31	32	34.5	31.0	35.0	42.0	48.0	56.0	
			Range 1	150 MHz	24.50	26	27	28	30	26.0	28.0	34.0	44.0	47.0	
				120 MHz	19.50	20	20.5	21.5	23.5	21.0	23.0	32.0	38.0	43.0	
				80 MHz	13.00	13.5	14	15.5	17	15.0	17.0	25.0	30.0	37.0	
				72 MHz	12.00	12	13	14	15.5	13.0	16.0	23.0	29.0	36.0	
				64 MHz	10.50	11	11.5	12.5	14.5	12.0	14.0	21.0	27.0	34.0	
				48 MHz	7.90	8.2	9	9.7	11.5	9.10	13.0	19.0	25.0	32.0	
				32 MHz	5.40	5.65	6.4	7.2	8.85	6.50	9.60	15.0	21.0	29.0	
24 MHz	4.10	4.35		5.1	5.95	7.6	5.20	8.00	14.0	20.0	28.0				
16 MHz	2.80	3.1	3.8	4.7	6.3	4.30	6.40	12.0	18.0	26.0					



**Table 21. Current consumption in Run and Low-power run modes, code with data processing running from Flash in single Bank, ART enable (Cache ON Prefetch OFF) (continued)**

Symbol	Parameter	Condition		f <sub>HCLK</sub>	Typ					Max					Unit
		-	Voltage scaling		25°C	55°C	85°C	105°C	125°C	25°C	55°C	85°C	105°C	125°C	
IDD (LPRun)	Supply current in Low-power run mode	SYSCLK source is HSE in bypass mode all peripherals disable		2 MHz	455	725	1350	2250	3800	1200	3200	8100	14000	22000	μA
				1 MHz	280	545	1200	2100	3600	1100	3000	7900	14000	22000	
				250 KHz	160	435	1100	2000	3500	840	2800	7700	14000	22000	
				62.5 KHz	130	405	1050	1950	3500	810	2700	7600	14000	22000	
		SYSCLK source is HSI16 all peripherals disable		2 MHz	920	1200	1850	2750	4250	1900	3800	8700	15000	22000	
				1 MHz	780	1100	1700	2650	4150	1700	3700	8600	14000	22000	
				250 KHz	725	980	1600	2500	4050	1600	3600	8400	14000	22000	
				62.5 KHz	720	955	1600	2500	4000	1500	3500	8400	14000	22000	





**Table 22. Current consumption in Run and Low-power run modes, code with data processing running from Flash in dual bank, ART enable (Cache ON Prefetch OFF)**

Symbol	Parameter	Conditions		f <sub>HCLK</sub>	TYP					MAX <sup>(1)</sup>					Unit
		-	Voltage scaling		25°C	55°C	85°C	105°C	125°C	25°C	55°C	85°C	105°C	125°C	
IDD (Run)	Supply current in Run mode	f <sub>HCLK</sub> = f <sub>HSE</sub> up to 48MHz included, bypass mode PLL ON above 48 MHz all peripherals disable	Range 2	26 MHz	3.70	3.9	4.45	5.15	6.45	4.40	6.60	11.0	16.0	22.0	mA
				16 MHz	2.35	2.55	3.1	3.85	5.15	3.00	5.00	9.00	14.0	21.0	
				8 MHz	1.25	1.5	2.05	2.8	4.15	2.00	3.60	7.70	13.0	19.0	
				4 MHz	0.75	0.97	1.5	2.3	3.6	1.40	3.00	7.00	12.0	19.0	
				2 MHz	0.47	0.7	1.25	2.05	3.35	0.990	2.60	6.70	12.0	19.0	
				1 MHz	0.34	0.56	1.1	1.9	3.2	0.830	2.50	6.50	12.0	18.0	
				100 KHz	0.22	0.44	0.975	1.8	3.1	0.690	2.30	6.30	11.0	18.0	
			Range 1 Boost mode	170 MHz	29.50	30	31	32	34.5	31.0	35.0	42.0	48.0	56.0	
			Range 1	150 MHz	24.50	24.5	25.5	26.5	28.5	26.0	28.0	34.0	44.0	47.0	
				120 MHz	19.50	20	20.5	22	23.5	21.0	23.0	32.0	38.0	43.0	
				80 MHz	13.00	13.5	14.5	15.5	17	15.0	17.0	25.0	30.0	37.0	
				72 MHz	12.00	12.5	13	14	15.5	13.0	16.0	23.0	29.0	36.0	
				64 MHz	10.50	11	11.5	13	14.5	12.0	14.0	21.0	27.0	34.0	
				48 MHz	7.95	8.3	9	10	11.5	9.10	13.0	19.0	25.0	32.0	
				32 MHz	5.40	5.7	6.45	7.25	8.9	6.50	9.60	15.0	21.0	29.0	
24 MHz	4.10	4.4		5.1	6	7.65	5.20	8.00	14.0	20.0	28.0				
16 MHz	2.85	3.15	3.8	4.75	6.35	4.30	6.40	12.0	18.0	26.0					



**Table 22. Current consumption in Run and Low-power run modes, code with data processing running from Flash in dual bank, ART enable (Cache ON Prefetch OFF) (continued)**

Symbol	Parameter	Conditions		fHCLK	TYP					MAX <sup>(1)</sup>					Unit
		-	Voltage scaling		25°C	55°C	85°C	105°C	125°C	25°C	55°C	85°C	105°C	125°C	
IDD (LPRun)	Supply current in Low-power run mode	SYSCLK source is HSE in bypass mode all peripherals disable		2 MHz	450	725	1350	2250	3800	1200	3200	8100	14000	22000	µA
				1 MHz	270	575	1200	2150	3650	1100	3000	7900	14000	22000	
				250 KHz	185	460	1050	2000	3550	840	2800	7700	14000	22000	
				62.5 KHz	130	430	1050	2000	3500	810	2700	7600	14000	22000	
		SYSCLK source is HSI16 all peripherals disable		2 MHz	970	1200	1850	2750	4300	1900	3800	8700	15000	22000	
				1 MHz	800	1100	1700	2650	4150	1700	3700	8600	14000	22000	
				250 KHz	680	990	1600	2550	4050	1600	3600	8400	14000	22000	
				62.5 KHz	695	965	1600	2500	4050	1500	3500	8400	14000	22000	

1. Guaranteed by characterization results, unless otherwise specified.



**Table 23. Current consumption in Run and Low-power run modes, code with data processing running from SRAM1**

Symbol	Parameter	Conditions		f <sub>HCLK</sub>	TYP					MAX <sup>(1)</sup>					Unit
		-	Voltage scaling		25°C	55°C	85°C	105°C	125°C	25°C	55°C	85°C	105°C	125°C	
IDD(Run)	Supply current in Run mode	f <sub>HCLK</sub> = f <sub>HSE</sub> up to 48MHz included, bypass mode PLL ON above 48 MHz all peripherals disable	Range 2	26 MHz	3.35	3.55	4.1	4.95	6.45	4.00	6.20	11.0	15.0	22.0	mA
				16 MHz	2.15	2.35	2.9	3.7	5.25	3.10	4.70	8.70	14.0	20.0	
				8 MHz	1.15	1.35	1.9	2.7	4.2	1.90	3.50	7.50	13.0	19.0	
				4 MHz	0.69	0.855	1.4	2.2	3.7	1.30	2.90	6.90	12.0	19.0	
				2 MHz	0.43	0.595	1.15	1.95	3.45	0.960	2.60	6.60	12.0	18.0	
				1 MHz	0.30	0.47	1	1.8	3.3	0.810	2.40	6.40	12.0	18.0	
				100 KHz	0.19	0.355	0.89	1.7	3.2	0.680	2.30	6.30	11.0	18.0	
			Range 1 Boost mode	170 MHz	26.00	26.5	27.5	28.5	30.5	28.0	32.0	39.0	45.0	53.0 <sup>(2)</sup>	
			Range 1	150 MHz	21.50	22	22.5	23.5	25.5	23.0	25.0	31.0	41.0	46.0 <sup>(2)</sup>	
				120 MHz	17.50	17.5	18.5	19.5	21.5	19.0	21.0	30.0	36.0	41.0	
				80 MHz	11.50	12	12.5	13.5	15.5	13.0	15.0	23.0	29.0	35.0	
				72 MHz	10.50	11	11.5	12.5	14.5	12.0	14.0	21.0	27.0	34.0	
				64 MHz	9.45	9.7	10.5	11.5	13.5	11.0	13.0	20.0	26.0	33.0	
				48 MHz	7.25	7.5	8.2	9.25	11	8.10	12.0	17.0	23.0	31.0	
				32 MHz	4.90	5.15	5.85	6.9	8.7	6.00	8.90	15.0	21.0	29.0	
				24 MHz	3.75	4	4.7	5.7	7.5	4.80	7.50	13.0	19.0	27.0	
			16 MHz	2.60	2.85	3.5	4.5	6.3	4.00	6.10	12.0	18.0	26.0		



**Table 23. Current consumption in Run and Low-power run modes, code with data processing running from SRAM1 (continued)**

Symbol	Parameter	Conditions		fHCLK	TYP					MAX <sup>(1)</sup>					Unit
		-	Voltage scaling		25°C	55°C	85°C	105°C	125°C	25°C	55°C	85°C	105°C	125°C	
IDD (LPRun)	Supply current in Low-power run mode	SYSCLK source is HSE in bypass mode all peripherals disable		2 MHz	365	570	1200	2150	3850	1200	3100	7900	14000	22000	μA
				1 MHz	240	425	1050	2000	3650	960	2900	7700	14000	22000	
				250 KHz	135	315	945	1850	3550	840	2800	7600	13000	22000	
				62.5 KHz	105	285	915	1850	3550	780	2700	7600	13000	22000	
		SYSCLK source is HSI16 all peripherals disable		2 MHz	835	1050	1650	2600	4300	1800	3700	8600	14000	22000	
				1 MHz	775	940	1550	2500	4150	1700	3600	8500	14000	22000	
				250 KHz	640	860	1450	2400	4100	1500	3500	8400	14000	22000	
				62.5 KHz	640	830	1450	2350	4050	1600	3500	8400	14000	22000	

1. Guaranteed by characterization results, unless otherwise specified.
2. Guaranteed by test in production.



**Table 24. Typical current consumption in Run and Low-power run modes, with different codes running from Flash, ART enable (Cache ON Prefetch OFF)**

Symbol	Parameter	Conditions		Code	TYP	TYP	Unit	TYP	TYP	Unit	
		-	Voltage scaling		Single Bank Mode	Dual Bank Mode		Single Bank Mode	Dual Bank Mode		
						25°C	25°C	25°C	25°C		
IDD (Run)	Supply current in Run mode	$f_{HCLK}=f_{HSE}$ up to 48 MHz included, bypass mode PLL ON above 48 MHz all peripherals disable	Range2 $f_{HCLK}=26\text{MHz}$	Reduced code <sup>(1)</sup>	3.65	3.7	mA	140	142	$\mu\text{A}/\text{MHz}$	
				Coremark	3.65	3.7		140	142		
				Dhrystone2.1	3.65	3.7		140	142		
				Fibonacci	4.55	4.2		175	162		
				While(1)	2.90	3		112	115		
			Range 1 $f_{HCLK}=150\text{MHz}$	Reduced code <sup>(1)</sup>	24.5	24.5	mA	163	163	$\mu\text{A}/\text{MHz}$	
				Coremark	24	24		160	160		
				Dhrystone2.1	24.5	24.5		163	163		
				Fibonacci	22.5	28		150	187		
				While(1)	19.5	20		130	133		
			Range 1 Boost mode $f_{HCLK}=170\text{MHz}$	Reduced code <sup>(1)</sup>	29.5	29.5	mA	174	174	$\mu\text{A}/\text{MHz}$	
				Coremark	29	29		171	171		
				Dhrystone2.1	29.5	29.5		174	174		
				Fibonacci	38	35		224	206		
				While(1)	23.5	24		138	141		



**Table 24. Typical current consumption in Run and Low-power run modes, with different codes running from Flash, ART enable (Cache ON Prefetch OFF) (continued)**

Symbol	Parameter	Conditions		Code	TYP	TYP	Unit	TYP	TYP	Unit
		-	Voltage scaling		Single Bank Mode	Dual Bank Mode		Single Bank Mode	Dual Bank Mode	
					25°C	25°C		25°C	25°C	
I <sub>DD</sub> (LPRun)	Supply current in Low-power run	SYSCLK source is HSI16 f <sub>HCLK</sub> = 2 MHz all peripherals disable		Reduced code <sup>(1)</sup>	920	970	μA	460	485	μA/MHz
				Coremark	905	985		453	493	
				Dhrystone2.1	915	915		458	458	
				Fibonacci	1,050	950		525	475	
				While(1)	930	875		465	438	

1. Reduced code used for characterization results provided in [Table 21](#), [Table 23](#).

**Table 25. Typical current consumption in Run and Low-power run modes, with different codes running from SRAM1**

Symbol	Parameter	Conditions		Code	TYP	Unit	TYP	Unit
		-	Voltage scaling		25°C		25°C	
IDD (Run)	Supply current in Run mode	$f_{HCLK} = f_{HSE}$ up to 48 MHz included, bypass mode PLL ON above 48 MHz all peripherals disable	Range2 $f_{HCLK}=26$ MHz	Reduced code <sup>(1)</sup>	3.25	mA	125	$\mu$ A/MHz
				Coremark	3.35		129	
				Dhrystone2.1	3.30		127	
				Fibonacci	3.30		127	
				While(1)	3.40		131	
			Range 1 $f_{HCLK}= 150$ MHz	Reduced code <sup>(1)</sup>	21.50	mA	143	$\mu$ A/MHz
				Coremark	22.50		150	
				Dhrystone2.1	21.50		143	
				Fibonacci	22.50		150	
			Range 1 Boost mode $f_{HCLK}= 170$ MHz	Reduced code <sup>(1)</sup>	26.00	mA	153	$\mu$ A/MHz
				Coremark	27.00		159	
				Dhrystone2.1	26.00		153	
				Fibonacci	27.50		162	
				While(1)	24.50		144	
			IDD (LPRun)	Supply current in Low-power run	$f_{HCLK} = f_{HSE} = 2$ MHz all peripherals disable	Reduced code <sup>(1)</sup>	955	$\mu$ A
Coremark	890	445						
Dhrystone2.1	915	458						
Fibonacci	880	440						
While(1)	905	453						

 1. Reduced code used for characterization results provided in [Table 21](#), [Table 23](#).



**Table 26. Typical current consumption in Run and Low-power run modes, with different codes running from SRAM2**

Symbol	Parameter	Conditions		f <sub>HCLK</sub>	TYP	Unit	TYP	Unit
		-	Voltage scaling		Single bank mode		Single bank mode	
IDD (Run)	Supply current in Run mode	f <sub>HCLK</sub> = f <sub>HSE</sub> up to 48 MHz included, bypass mode PLL ON above 48 MHz all peripherals disable	Range2 f <sub>HCLK</sub> =26 MHz	Reduced code <sup>(1)</sup>	2.65	mA	102	μA/MHz
				Coremark	2.80		108	
				Dhrystone2.1	2.65		102	
				Fibonacci	2.60		100	
				While(1)	2.45		94	
			Range 1 f <sub>HCLK</sub> = 150 MHz	Reduced code <sup>(1)</sup>	17.50	mA	117	μA/MHz
				Coremark	18.00		120	
				Dhrystone2.1	17.50		117	
				Fibonacci	17.00		113	
				While(1)	16		107	
			Range 1 Boost mode f <sub>HCLK</sub> = 170 MHz	Reduced code <sup>(1)</sup>	21.00	mA	124	μA/MHz
				Coremark	22.00		129	
				Dhrystone2.1	21.00		124	
				Fibonacci	20.50		121	
				While(1)	19.50		115	
IDD (LPRun)	Supply current in Low-power run	SYSCLK source is HSI16 F <sub>HCLK</sub> = 2MHz all peripherals disable	Reduced code <sup>(1)</sup>	890	μA	445	μA/MHz	
			Coremark	830		415		
			Dhrystone2.1	825		413		
			Fibonacci	830		415		
			While(1)	815		408		

1. Reduced code used for characterization results provided in [Table 21](#), [Table 23](#).





**Table 27. Typical current consumption in Run and Low-power run modes, with different codes running from CCMSRAM**

Symbol	Parameter	Conditions		f <sub>HCLK</sub>	TYP	Unit	TYP	Unit
		-	Voltage scaling		Single bank mode		Single bank mode	
IDD (Run)	Supply current in Run mode	f <sub>HCLK</sub> = f <sub>HSE</sub> up to 48 MHz included, bypass mode PLL ON above 48 MHz all peripherals disable	Range2 f <sub>HCLK</sub> =26 MHz	Reduced code <sup>(1)</sup>	2.75	mA	106	μA/MHz
				Coremark	2.85		110	
				Dhrystone2.1	2.75		106	
				Fibonacci	2.95		113	
				While(1)	2.60		100	
			Range 1 f <sub>HCLK</sub> = 150 MHz	Reduced code <sup>(1)</sup>	18.00	mA	120	μA/MHz
				Coremark	18.50		123	
				Dhrystone2.1	18.00		120	
				Fibonacci	19.00		127	
				While(1)	17.00		113	
			Range 1 Boost mode f <sub>HCLK</sub> = 170 MHz	Reduced code <sup>(1)</sup>	22.00	mA	129	μA/MHz
				Coremark	22.50		132	
				Dhrystone2.1	22.00		129	
				Fibonacci	23.50		138	
				While(1)	20.50		121	
IDD (LPRun)	Supply current in Low-power run	SYSCLK source is HSI16 F <sub>HCLK</sub> = 2MHz all peripherals disable	Reduced code <sup>(1)</sup>	900	μA	450	μA/MHz	
			Coremark	850		425		
			Dhrystone2.1	870		435		
			Fibonacci	850		425		
			While(1)	810		405		



1. Reduced code used for characterization results provided in [Table 21](#), [Table 23](#).

**Table 28. Current consumption in Sleep and Low-power sleep mode Flash ON**

Symbol	Parameter	Condition		f <sub>HCLK</sub>	Typ					Max					Unit
		-	Voltage scaling		25°C	55°C	85°C	105°C	125°C	25°C	55°C	85°C	105°C	125°C	
IDD (Sleep)	Supply current in sleep mode	f <sub>HCLK</sub> = f <sub>HSE</sub> up to 48 MHz included, bypass mode PLL ON above 48 MHz all peripherals disable	Range 2	26 MHz	0.98	1.1	1.75	2.4	3.75	1.90	3.50	7.60	13.0	19.0	mA
				16 MHz	0.67	0.835	1.45	2.15	3.5	1.50	3.00	7.10	12.0	19.0	
				8 MHz	0.44	0.605	1.25	2	3.35	1.10	2.70	6.70	12.0	19.0	
				4 MHz	0.33	0.5	1.1	1.9	3.25	0.860	2.50	6.50	12.0	18.0	
				2 MHz	0.27	0.445	1.05	1.85	3.2	0.760	2.40	6.40	11.0	18.0	
				1 MHz	0.24	0.415	1.05	1.8	3.15	0.720	2.30	6.40	11.0	18.0	
				100 KHz	0.21	0.385	0.995	1.8	3.1	0.670	2.30	6.30	11.0	18.0	
			Range 1 Boost mode	170 MHz	6.60	6.95	7.8	8.9	10.5	8.00	12.0	18.0	24.0	33.0	
			Range 1	150 MHz	5.50	5.8	6.55	7.55	9.25	6.40	9.50	15.0	21.0	29.0	
				120 MHz	4.50	4.75	5.5	6.55	8.2	5.40	8.20	14.0	20.0	28.0	
				80 MHz	3.15	3.45	4.2	5.15	6.8	4.50	6.60	12.0	18.0	26.0	
				72 MHz	2.85	3.15	3.9	4.9	6.55	4.20	6.30	12.0	18.0	26.0	
				64 MHz	2.60	2.9	3.65	4.6	6.3	3.50	6.00	12.0	18.0	26.0	
				48 MHz	1.90	2.2	3	3.65	5.3	3.20	5.30	11.0	17.0	25.0	
				32 MHz	1.40	1.65	2.4	3.2	4.85	2.70	4.80	11.0	17.0	25.0	
				24 MHz	1.10	1.35	2.1	3	4.65	2.30	4.50	9.80	16.0	25.0	
			16 MHz	0.83	1.1	1.85	2.75	4.35	1.90	4.10	9.40	16.0	24.0		

**Table 28. Current consumption in Sleep and Low-power sleep mode Flash ON (continued)**

Symbol	Parameter	Condition		f <sub>HCLK</sub>	Typ					Max					Unit
		-	Voltage scaling		25°C	55°C	85°C	105°C	125°C	25°C	55°C	85°C	105°C	125°C	
IDD (LPSleep)	Supply current in Low-power sleep mode	SYSCLK source is HSE in bypass mode all peripherals disable		2 MHz	205	430	1150	2050	3600	1600	2900	7800	14000	22000	μA
				1 MHz	165	400	1100	2000	3550	1100	2900	7700	14000	22000	
				250 KHz	145	370	1100	2000	3550	820	2800	7700	13000	22000	
				62.5 KHz	140	365	1050	2000	3550	810	2800	7700	13000	22000	
		SYSCLK source is HSI16 all peripherals disable		2 MHz	700	925	1650	2550	4100	1600	3600	8400	14000	22000	μA
				1 MHz	710	925	1600	2550	4100	1600	3600	8400	14000	22000	
				250 KHz	670	910	1600	2500	4050	1600	3600	8400	14000	22000	
				62.5 KHz	685	910	1600	2500	4050	1600	3600	8400	14000	22000	

**Table 29. Current consumption in low-power sleep modes, Flash in power-down**

Symbol	Parameter	Condition		f <sub>HCLK</sub>	Typ					Max					Unit
		-	Voltage scaling		25°C	55°C	85°C	105°C	125°C	25°C	55°C	85°C	105°C	125°C	
IDD (LPSleep)	Supply current in low-power sleep mode	SYSCLK source is HSE in bypass mode all peripherals disable		2 MHz	210	385	1150	2050	3550	910	2900	7800	14000	22000	μA
				1 MHz	150	360	1100	2000	3550	860	2900	7700	14000	22000	
				250 KHz	120	330	1050	2000	3500	820	2700	7600	13000	21000	
				62.5 KHz	110	330	1050	1950	3500	810	2700	7600	13000	21000	
		SYSCLK source is HSI16 all peripherals disable		2 MHz	675	900	1600	2500	4050	1600	3600	8500	14000	22000	
				1 MHz	695	890	1600	2500	4050	1600	3600	8400	14000	22000	
				250 KHz	640	885	1600	2500	4050	1600	3600	8500	14000	22000	
				62.5 KHz	690	880	1600	2500	4050	1400	3000	7000	12000	19000	



Table 30. Current consumption in Stop 1 mode

Symbol	Parameter	Conditions		TYP					MAX <sup>(1)</sup>					Unit
		-	V <sub>DD</sub>	25°C	55°C	85°C	105°C	125°C	25°C	55°C	85°C	105°C	125°C	
IDD (Stop 1)	Supply current in Stop 1 mode, RTC disabled	RTC disabled	1.8 V	80	250	830	1550	2850	630	2100	5900	11000	18000	μA
			2.4 V	80	250	835	1600	2850	640	2100	5900	11000	18000	
			3.0 V	80.5	255	840	1600	2900	640	2200	6000	11000	18000	
			3.6 V	81.5	255	845	1600	2900	640	2200	6000	11000	18000	
IDD (Stop 1 with RTC)	Supply current in Stop 1 mode, RTC enabled	RTC clocked by LSI	1.8 V	80.5	255	830	1550	2850	640	2100	5900	11000	18000	
			2.4 V	81	255	835	1600	2850	640	2200	5900	11000	18000	
			3.0 V	81.5	255	835	1600	2850	640	2200	6000	11000	18000	
			3.6 V	82	255	845	1600	2900	650	2200	6000	11000	18000 <sup>(2)</sup>	
		RTC clocked by LSE bypassed at 32768 Hz	1.8 V	80	255	830	1550	2850	-	-	-	-	-	
			2.4 V	80.5	255	830	1600	2850	-	-	-	-	-	
			3.0 V	81.5	255	835	1600	2900	-	-	-	-	-	
			3.6 V	83	260	845	1600	2900	-	-	-	-	-	
		RTC clocked by LSE quartz in low drive mode at 32768 Hz	1.8 V	83.5	220	655	1300	-	-	-	-	-	-	
			2.4 V	84	220	660	1300	-	-	-	-	-	-	
			3.0 V	84.5	220	660	1300	-	-	-	-	-	-	
			3.6 V	87	220	660	1300	-	-	-	-	-	-	
IDD (wakeup from Stop 1)	Supply current during wakeup from Stop 1 mode	Wakeup clock is HSI6, voltage Range 1	3.0 V	1.73	-	-	-	-	-	-	-	-	mA	
		Wakeup clock is HSI6 = 4 MHz, (HPRE = 4), voltage Range 2	3.0 V	1.29	-	-	-	-	-	-	-	-		

1. Guaranteed by characterization results, unless otherwise specified.

2. Guaranteed by test in production

**Table 31. Current consumption in Stop 0 mode**

Symbol	Parameter	Conditions		TYP					MAX <sup>(1)</sup>					Unit
		-	V <sub>DD</sub>	25°C	55°C	85°C	105°C	125°C	25°C	55°C	85°C	105°C	125°C	
IDD(Stop 0)	Supply current in Stop 0 mode, RTC disabled	-	1.8 V	190	380	980	1750	3100	790	2400	6500	11000	19000	μA
			2.4 V	190	380	985	1750	3100	790	2400	6400	11000	19000	
			3 V	190	380	985	1750	3100	800	2400	6500	12000	19000	
			3.6 V	190	380	985	1750	3100	800	2500	6500	12000	12000 <sup>(2)</sup>	

1. Guaranteed by characterization results, unless otherwise specified.

2. Guaranteed by test in production.

**Table 32. Current consumption in Standby mode**

Symbol	Parameter	Conditions		TYP					MAX <sup>(1)</sup>					Unit	
		-	V <sub>DD</sub>	25°C	55°C	85°C	105°C	125°C	25°C	55°C	85°C	105°C	125°C		
IDD (Standby)	Supply current in Standby mode (backup registers retained), RTC disabled	No independent watchdog	1.8 V	100	275	1350	3450	8450	200	1100	4100	9700	27000	nA	
			2.4 V	110	325	1600	4100	10000	220	1200	4800	12000	31000		
			3 V	130	385	1900	4850	12000	240	1400	5500	13000	35000		
			3.6 V	180	530	2400	6050	14500	360	1700	6300	15000	40000 <sup>(2)</sup>		
		With independent watchdog	1.8 V	300	-	-	-	-	-	-	-	-	-		-
			2.4 V	365	-	-	-	-	-	-	-	-	-		-
			3 V	435	-	-	-	-	-	-	-	-	-		-
			3.6 V	545	-	-	-	-	-	-	-	-	-		-



Table 32. Current consumption in Standby mode (continued)

Symbol	Parameter	Conditions		TYP					MAX <sup>(1)</sup>					Unit	
		-	V <sub>DD</sub>	25°C	55°C	85°C	105°C	125°C	25°C	55°C	85°C	105°C	125°C		
IDD (Standby with RTC)	Supply current in Standby mode (backup registers retained), RTC enabled	RTC clocked by LSI, no independent watchdog	1.8 V	540	725	1800	3850	8850	660	1500	4600	11000	27000	nA	
			2.4 V	700	920	2150	4650	10500	860	1900	5300	12000	31000		
			3 V	885	1150	2650	5550	12500	1100	2200	6300	14000	36000		
			3.6 V	1100	1450	3350	7000	15500	1400	2700	7400	16000	41000		
		RTC clocked by LSI, with independent watchdog	1.8 V	580	-	-	-	-	-	-	-	-	-		-
			2.4 V	760	-	-	-	-	-	-	-	-	-		-
			3 V	960	-	-	-	-	-	-	-	-	-		-
			3.6 V	1200	-	-	-	-	-	-	-	-	-		-
		RTC clocked by LSE bypassed at 32768 Hz	1.8 V	410	580	1600	3650	8600	-	-	-	-	-		-
			2.4 V	545	750	1950	4450	10500	-	-	-	-	-		-
			3 V	830	1150	2750	5800	13000	-	-	-	-	-		-
			3.6 V	2200	3050	5550	9550	18000	-	-	-	-	-		-
		RTC clocked by LSE quartz <sup>(3)</sup> in low drive mode	1.8 V	370	570	1350	3150	7100	-	-	-	-	-		-
			2.4 V	495	715	1650	3800	8350	-	-	-	-	-		-
			3 V	655	915	2100	4550	9850	-	-	-	-	-		-
			3.6 V	875	1350	2800	5750	12000	-	-	-	-	-		-
IDD (SRAM2) <sup>(4)</sup>	Supply current to be added in Standby mode when SRAM2 is retained	-	1.8 V	300	825	2950	6300	12550	-	-	-	-	-	nA	
		-	2.4 V	305	875	2900	6400	12500	-	-	-	-	-		
		-	3 V	305	865	2950	6150	12500	-	-	-	-	-		
		-	3.6 V	310	870	3000	6450	13000	-	-	-	-	-		

**Table 32. Current consumption in Standby mode (continued)**

Symbol	Parameter	Conditions		TYP					MAX <sup>(1)</sup>					Unit
		-	V <sub>DD</sub>	25°C	55°C	85°C	105°C	125°C	25°C	55°C	85°C	105°C	125°C	
I <sub>DD</sub> (wakeup from Standby)	Supply current during wakeup from Standby mode	Wakeup clock is HSI16 = 16 MHz <sup>(5)</sup>	3 V	2.46	-	-	-	-	-	-	-	-	-	mA

1. Guaranteed by characterization results, unless otherwise specified.
2. Guaranteed by test in production
3. Based on characterization done with a 32.768 kHz crystal (MC306-G-06Q-32.768, manufacturer JFVNY) with two 6.8 pF loading capacitors.
4. The supply current in Standby with SRAM2 mode is: I<sub>DD</sub>\_ALL(Standby) + I<sub>DD</sub>\_ALL(SRAM2). The supply current in Standby with RTC with SRAM2 mode is: I<sub>DD</sub>\_ALL(Standby + RTC) + I<sub>DD</sub>\_ALL(SRAM2).
5. Wakeup with code execution from Flash. Average value given for a typical wakeup time as specified in [Table 36: Low-power mode wakeup timings](#).

**Table 33. Current consumption in Shutdown mode**

Symbol	Parameter	Conditions		TYP					MAX <sup>(1)</sup>					Unit
		-	V <sub>DD</sub>	25°C	55°C	85°C	105°C	125°C	25°C	55°C	85°C	105°C	125°C	
I <sub>DD</sub> (Shutdown)	Supply current in Shutdown mode (backup registers retained) RTC disabled	-	1.8 V	19	140	885	2500	6600	78.0	490	3100	8100	24000	nA
			2.4 V	28	180	1050	2950	7800	94.0	570	3600	9300	27000	
			3 V	43	230	1300	3600	9300	130	680	4100	11000	31000	
			3.6 V	87	360	1750	4700	12000	190	870	4900	13000	35000	



Table 33. Current consumption in Shutdown mode (continued)

Symbol	Parameter	Conditions		TYP					MAX <sup>(1)</sup>					Unit	
		-	VDD	25°C	55°C	85°C	105°C	125°C	25°C	55°C	85°C	105°C	125°C		
IDD (Shutdown with RTC)	Supply current in Shutdown mode (backup registers retained) RTC enabled	RTC clocked by LSE bypassed at 32768 Hz	1.8 V	330	445	1150	2700	6800	-	-	-	-	-	nA	
			2.4 V	460	605	1450	3350	8150	-	-	-	-	-		
			3 V	745	1000	2200	4550	10500	-	-	-	-	-		
			3.6 V	2100	2850	4900	8150	15500	-	-	-	-	-		
		RTC clocked by LSE quartz <sup>(2)</sup> in low drive mode	1.8 V	285	450	1050	2500	-	-	-	-	-	-		-
			2.4 V	410	585	1300	3050	-	-	-	-	-	-		-
			3 V	565	770	1750	3750	-	-	-	-	-	-		-
			3.6 V	780	1200	2400	4850	-	-	-	-	-	-		-
IDD(wakeup from Shutdown)	Supply current during wakeup from Shutdown mode	Wakeup clock is HSI16 = 16 MHz <sup>(3)</sup>	3 V	1.6	-	-	-	-	-	-	-	-	mA		

1. Guaranteed by characterization results, unless otherwise specified.
2. Based on characterization done with a 32.768 kHz crystal (MC306-G-06Q-32.768, manufacturer JFVNY) with two 6.8 pF loading capacitors.
3. Wakeup with code execution from Flash. Average value given for a typical wakeup time as specified in [Table 36: Low-power mode wakeup timings](#).



**Table 34. Current consumption in  $V_{BAT}$  mode**

Symbol	Parameter	Conditions		TYP					MAX <sup>(1)</sup>					Unit	
		-	$V_{BAT}$	25°C	55°C	85°C	105°C	125°C	25°C	55°C	85°C	105°C	125°C		
IDD( $V_{BAT}$ )	Backup domain supply current	RTC disabled	1.8 V	4	17	92	245	600	-	-	-	-	-	nA	
			2.4 V	5	20	105	280	690	-	-	-	-	-		
			3 V	6	24	125	330	805	-	-	-	-	-		
			3.6 V	16	54	260	675	1650	-	-	-	-	-		
		RTC enabled and clocked by LSE bypassed at 32768 Hz	1.8 V	310	315	350	470	-	-	-	-	-	-		-
			2.4 V	435	440	500	665	-	-	-	-	-	-		-
			3 V	720	815	1050	1350	-	-	-	-	-	-		-
			3.6 V	2150	2600	3400	4050	-	-	-	-	-	-		-
		RTC enabled and clocked by LSE quartz <sup>(2)</sup>	1.8 V	270	345	455	715	835	-	-	-	-	-		-
			2.4 V	385	455	650	910	910	-	-	-	-	-		-
			3 V	525	600	910	1150	1000	-	-	-	-	-		-
			3.6 V	710	995	1250	1700	1900	-	-	-	-	-		-

1. Guaranteed by characterization results, unless otherwise specified.

2. Based on characterization done with a 32.768 kHz crystal (MC306-G-06Q-32.768, manufacturer JFVNY) with two 6.8 pF loading capacitors.

## IO system current consumption

The current consumption of the I/O system has two components: static and dynamic.

### I/O static current consumption

All the I/Os used as inputs with pull-up generate current consumption when the pin is externally held low. The value of this current consumption can be simply computed by using the pull-up/pull-down resistors values given in [Table 54: I/O static characteristics](#).

For the output pins, any external pull-down or external load must also be considered to estimate the current consumption.

Additional I/O current consumption is due to I/Os configured as inputs if an intermediate voltage level is externally applied. This current consumption is caused by the input Schmitt trigger circuits used to discriminate the input value. Unless this specific configuration is required by the application, this supply current consumption can be avoided by configuring these I/Os in analog mode. This is notably the case of ADC, OPAMP, COMP input pins which should be configured as analog inputs.

**Caution:** Any floating input pin can also settle to an intermediate voltage level or switch inadvertently, as a result of external electromagnetic noise. To avoid current consumption related to floating pins, they must either be configured in analog mode, or forced internally to a definite digital value. This is done either by using pull-up/down resistors or by configuring the pins in output mode.

I/O dynamic current consumption

In addition to the internal peripheral current consumption measured previously (see [Table 36: Low-power mode wakeup timings](#)), the I/Os used by an application also contribute to the current consumption. When an I/O pin switches, it uses the current from the I/O supply voltage to supply the I/O pin circuitry and to charge/discharge the capacitive load (internal or external) connected to the pin:

$$I_{SW} = V_{DDIOx} \times f_{SW} \times C$$

where

$I_{SW}$  is the current sunk by a switching I/O to charge/discharge the capacitive load

$V_{DD}$  is the I/O supply voltage

$f_{SW}$  is the I/O switching frequency

$C$  is the total capacitance seen by the I/O pin:  $C = C_{INT} + C_{EXT} + C_S$

$C_S$  is the PCB board capacitance including the pad pin.

The test pin is configured in push-pull output mode and is toggled by software at a fixed frequency.

**On-chip peripheral current consumption**

The current consumption of the on-chip peripherals is given in [Table 35](#). The MCU is placed under the following conditions:

- All I/O pins are in Analog mode
- The given value is calculated by measuring the difference of the current consumptions:
  - when the peripheral is clocked on
  - when the peripheral is clocked off
- Ambient operating temperature and supply voltage conditions summarized in [Table 14: Voltage characteristics](#)
- The power consumption of the digital part of the on-chip peripherals is given in [Table 35](#). The power consumption of the analog part of the peripherals (where applicable) is indicated in each related section of the datasheet.

**Table 35. Peripheral current consumption**

Bus	Peripheral	Range 1 Boost mode	Range 1 Normal mode	Range 2	Low-power run and sleep	Unit
-	Bus Matrix	6.12	5.69	4.70	6.11	μA/MHz
	AHB1 to APB1 bridge	0.26	0.25	0.22	0.03	
	AHB1 to APB2 bridge	0.39	0.37	0.32	0.03	
	FSMC	10.21	9.52	7.87	10.28	
	QUADSPI	3.51	3.27	2.69	3.51	
AHB1	CORDIC	1.28	1.19	0.98	0.78	μA/MHz
	CRC	0.74	0.68	0.57	0.63	
	DMA 1	2.83	2.64	2.17	2.75	
	DMA 2	3.11	2.90	2.39	2.43	
	DMAMUX	6.71	6.26	5.17	6.68	
	SRAM1	0.58	0.54	0.44	0.54	
	FLASH	6.46	6.01	4.95	6.15	
	FMAC	4.59	4.29	3.57	3.83	

Table 35. Peripheral current consumption (continued)

Bus	Peripheral	Range 1 Boost mode	Range 1 Normal mode	Range 2	Low-power run and sleep	Unit
AHB2	ADC1/ADC2	6.24	5.80	4.77	5.88	μA/MHz
	ADC3/ADC4/ADC5	8.21	7.64	6.29	8.14	
	DAC1	4.70	4.38	3.63	4.40	
	DAC2	2.51	2.34	1.93	2.14	
	DAC3	4.62	4.31	3.57	4.15	
	DAC4	4.31	4.01	3.32	3.90	
	GPIOA	0.09	0.08	0.07	0.14	
	GPIOB	0.10	0.09	0.07	0.03	
	GPIOC	0.10	0.09	0.08	0.03	
	GPIOD	0.06	0.06	0.03	0.05	
	GPIOE	0.23	0.22	0.18	0.10	
	GPIOF	0.07	0.07	0.05	0.02	
	GPIOG	0.25	0.24	0.20	0.24	
	SRAM2	0.39	0.37	0.29	0.28	
	CCM SRAM	0.29	0.27	0.23	0.22	
	RNG	2.09	1.95	NA	NA	

Table 35. Peripheral current consumption (continued)

Bus	Peripheral	Range 1 Boost mode	Range 1 Normal mode	Range 2	Low-power run and sleep	Unit
APB1	CRS	0.74	0.68	0.57	0.51	µA/MHz
	FDCAN1/FDCAN2/FDCAN3	22.20	20.68	17.10	21.15	
	I2C1	1.29	1.20	0.99	1.28	
	I2C2	1.29	1.20	0.99	1.28	
	I2C3	1.25	1.17	0.96	1.56	
	I2C4	1.25	1.16	0.96	1.97	
	LPTIM1	1.11	1.03	0.85	1.42	
	LPUART1	1.91	1.78	1.47	2.03	
	PWR	0.71	0.65	0.53	0.53	
	RTC	2.64	2.46	2.07	3.26	
	SPI2/I2S2	4.05	3.77	3.11	4.16	
	SPI3/I2S3	4.08	3.81	3.13	4.49	
	TIM2	7.97	7.42	6.16	8.29	
	TIM3	6.37	5.93	4.92	6.81	
	TIM4	6.43	5.98	4.97	6.50	
	TIM5	8.28	7.71	6.38	8.11	
	TIM6	1.22	1.13	0.94	1.45	
	TIM7	1.28	1.18	0.98	1.56	
	UART4	2.51	2.33	1.92	3.14	
	UART5	2.79	2.60	2.14	3.34	
	USART2	2.75	2.56	2.12	3.11	
	USART3	2.71	2.52	2.08	2.47	
	USB	0.46	0.43	NA	NA	
UCPD	2.46	2.28	1.89	NA		
WWDG	0.42	0.39	0.31	0.42		

Table 35. Peripheral current consumption (continued)

Bus	Peripheral	Range 1 Boost mode	Range 1 Normal mode	Range 2	Low-power run and sleep	Unit
APB2	SAI1	2.67	2.48	2.05	2.64	μA/MHz
	SPI1	1.99	1.86	1.54	2.02	
	SPI4	1.99	1.86	1.54	2.02	
	TIM1	10.85	10.13	8.40	9.93	
	TIM8	10.67	9.96	8.25	9.82	
	TIM15	4.81	4.48	3.71	4.57	
	TIM16	3.71	3.45	2.88	3.45	
	TIM17	3.66	3.41	2.83	3.81	
	TIM20	10.71	9.99	8.29	10.00	
	USART1	2.49	2.31	1.91	2.49	
	SYSCFG/COMP/OPAMP/VREFBUF	1.63	1.52	1.25	0.91	

Table 35. Peripheral current consumption (continued)

Bus	Peripheral		Range 1 Boost mode	Range 1 Normal mode	Range 2	Low-power run and sleep	Unit
Independent clock domain	ADC1/ ADC2	independent clock domain	0.72	0.67	0.53	0.63	µA/MHz
	ADC3/ ADC4/ ADC5	independent clock domain	0.67	0.62	0.50	0.22	
	FDCAN1/ FDCAN2/ FDCAN3	independent clock domain	11.62	10.84	8.95	10.24	
	I2C1	independent clock domain	4.03	3.76	3.12	4.15	
	I2C2	independent clock domain	3.78	3.52	2.93	3.23	
	I2C3	independent clock domain	2.72	2.55	2.11	2.65	
	I2C4	independent clock domain	3.95	3.67	3.04	2.81	
	I2S2	independent clock domain	1.49	1.40	1.15	1.63	
	I2S3	independent clock domain	1.52	1.43	1.16	2.15	
	LPTIM1	independent clock domain	4.00	3.71	3.08	3.57	
	LPUART1	independent clock domain	4.43	4.13	3.45	4.02	
	QUADSPI	independent clock domain	0.54	0.51	0.44	0.75	
	RNG	independent clock domain	0.83	0.87	NA	NA	
	USB	independent clock domain	1.10	1.17	NA	NA	
	SAI1	independent clock domain	3.36	3.14	2.58	3.25	
	UART4	independent clock domain	6.60	6.17	5.14	6.02	
	UART5	independent clock domain	6.60	6.16	5.12	6.12	
	USART1	independent clock domain	7.62	7.12	5.89	6.90	
USART2	independent clock domain	7.37	6.86	5.70	6.72		
USART3	independent clock domain	7.98	7.44	6.17	8.21		
All	-		369.00	316.04	266.18	325.00	µA/MHz

### 5.3.6 Wakeup time from low-power modes and voltage scaling transition times

The wakeup times given in [Table 36](#) are the latency between the event and the execution of the first user instruction.

The device goes in low-power mode after the WFE (Wait For Event) instruction.

**Table 36. Low-power mode wakeup timings<sup>(1)</sup>**

Symbol	Parameter	Conditions		Typ	Max	Unit
t <sub>WUSLEEP</sub>	Wakeup time from Sleep mode to Run mode	-		11	12	Nb of CPU cycles
t <sub>WULPSLEEP</sub>	Wakeup time from Low-power sleep mode to Low-power run mode	-		10	11	
t <sub>WUSTOP0</sub>	Wake up time from Stop 0 mode to Run mode in Flash	Range 1	Wakeup clock HSI16 = 16 MHz	5.8	6	μs
		Range 2	Wakeup clock HSI16 = 16 MHz	18.4	19.1	
	Wake up time from Stop 0 mode to Run mode in SRAM1	Range 1	Wakeup clock HSI16 = 16 MHz	2.8	3	
		Range 2	Wakeup clock HSI16 = 16 MHz	2.9	3	
t <sub>WUSTOP1</sub>	Wake up time from Stop 1 mode to Run in Flash	Range 1	Wakeup clock HSI16 = 16 MHz	9.5	9.8	
		Range 2	Wakeup clock HSI16 = 16 MHz	21.9	22.7	
	Wake up time from Stop 1 mode to Run mode in SRAM1	Range 1	Wakeup clock HSI16 = 16 MHz	6.6	6.9	
		Range 2	Wakeup clock HSI16 = 16 MHz	6.4	6.6	
	Wake up time from Stop 1 mode to Low-power run mode in Flash	Regulator in low-power mode (LPR=1 in PWR_CR1)	Wakeup clock HSI16 = 16 MHz, with HPRE = 8	26.1	27.1 <sup>(2)</sup>	
				14.4	15 <sup>(2)</sup>	
Wake up time from Stop 1 mode to Low-power run mode in SRAM1	Regulator in low-power mode (LPR=1 in PWR_CR1)	Wakeup clock HSI16 = 16 MHz, with HPRE = 8	14.4	15 <sup>(2)</sup>		
			14.4	15 <sup>(2)</sup>		
t <sub>WUSTBY</sub>	Wakeup time from Standby mode to Run mode	Range 1	Wakeup clock HSI16 = 16 MHz	29.7	33.8	
t <sub>WUSTBY SRAM2</sub>	Wakeup time from Standby with SRAM2 to Run mode	Range 1	Wakeup clock HSI16 = 16 MHz	29.7	33.5	
t <sub>WUSHDN</sub>	Wakeup time from Shutdown mode to Run mode	Range 1	Wakeup clock HSI16 = 16 MHz	267.9	274.6 <sup>(2)</sup>	
t <sub>WULPRUN</sub>	Wakeup time from Low-power run mode to Run mode <sup>(3)</sup>	Wakeup clock HSI16 = 16 MHz with HPRE = 8		5	7	

1. Guaranteed by characterization results.
2. Characterization results for temperature range from 0°C to 125°C
3. Time until REGLPF flag is cleared in PWR\_SR2.



**Table 37. Regulator modes transition times<sup>(1)</sup>**

Symbol	Parameter	Conditions	Typ	Max	Unit
t <sub>VOST</sub>	Regulator transition time from Range 2 to Range 1 or Range 1 to Range 2 <sup>(2)</sup>	Wakeup clock HSI16 = 16 MHz with HPRE = 8	20	40	µs

1. Guaranteed by characterization results.
2. Time until VOSF flag is cleared in PWR\_SR2.

**Table 38. Wakeup time using USART/LPUART<sup>(1)</sup>**

Symbol	Parameter	Conditions	Typ	Max	Unit
t <sub>WUUSART</sub> t <sub>WULPUART</sub>	Wakeup time needed to calculate the maximum USART/LPUART baudrate allowing to wakeup up from stop mode when USART/LPUART clock source is HSI16	Stop 0 mode	-	1.7	µs
		Stop 1 mode	-	8.5	

1. Guaranteed by design.

### 5.3.7 External clock source characteristics

#### High-speed external user clock generated from an external source

In bypass mode the HSE oscillator is switched off and the input pin is a standard GPIO.

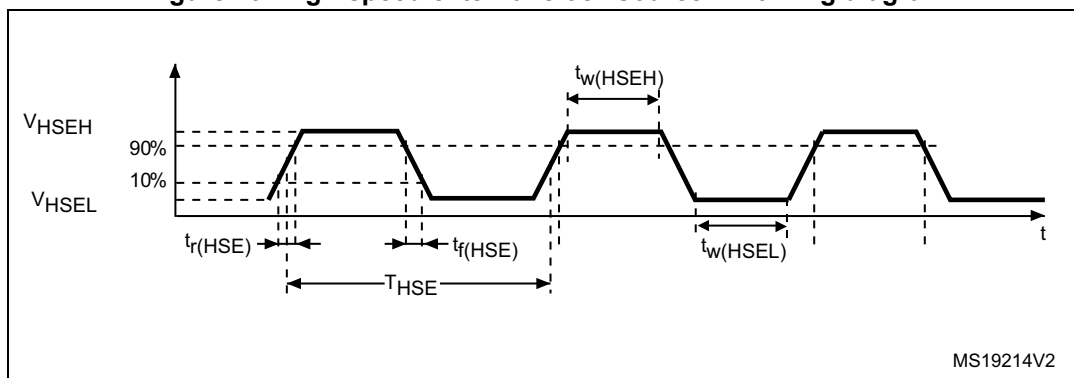
The external clock signal has to respect the I/O characteristics in [Section 5.3.14](#). However, the recommended clock input waveform is shown in [Figure 19: High-speed external clock source AC timing diagram](#).

**Table 39. High-speed external user clock characteristics<sup>(1)</sup>**

Symbol	Parameter	Conditions	Min	Typ	Max	Unit
f <sub>HSE_ext</sub>	User external clock source frequency	Voltage scaling Range 1	-	8	48	MHz
		Voltage scaling Range 2	-	8	26	
V <sub>HSEH</sub>	OSC_IN input pin high level voltage	-	0.7 V <sub>DD</sub>	-	V <sub>DD</sub>	V
V <sub>HSEL</sub>	OSC_IN input pin low level voltage	-	V <sub>SS</sub>	-	0.3 V <sub>DD</sub>	
t <sub>w(HSEH)</sub> t <sub>w(HSEL)</sub>	OSC_IN high or low time	Voltage scaling Range 1	7	-	-	ns
		Voltage scaling Range 2	18	-	-	

1. Guaranteed by design.

Figure 19. High-speed external clock source AC timing diagram



**Low-speed external user clock generated from an external source**

In bypass mode the LSE oscillator is switched off and the input pin is a standard GPIO.

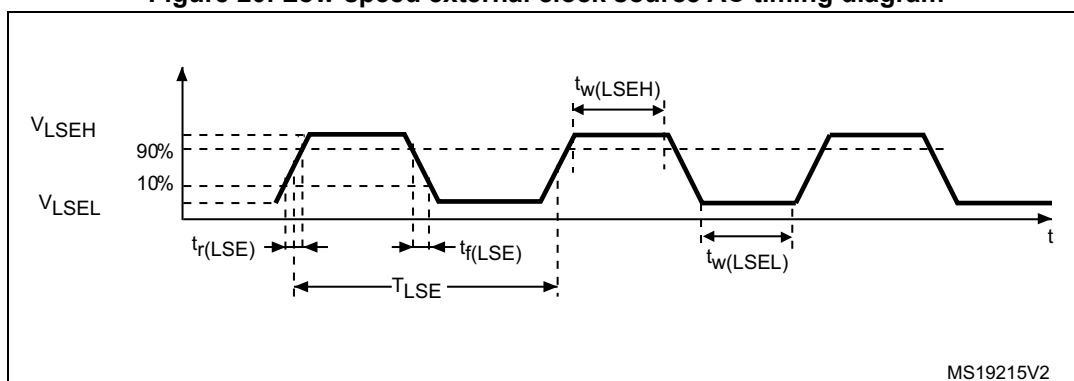
The external clock signal has to respect the I/O characteristics in Section 5.3.14. However, the recommended clock input waveform is shown in Figure 20.

Table 40. Low-speed external user clock characteristics<sup>(1)</sup>

Symbol	Parameter	Conditions	Min	Typ	Max	Unit
$f_{LSE\_ext}$	User external clock source frequency	-	-	32.768	1000	kHz
$V_{LSEH}$	OSC32_IN input pin high level voltage	-	$0.7 V_{DD}$	-	$V_{DD}$	V
$V_{LSEL}$	OSC32_IN input pin low level voltage	-	$V_{SS}$	-	$0.3 V_{DD}$	
$t_w(LSEH)$ $t_w(LSEL)$	OSC32_IN high or low time	-	250	-	-	ns

1. Guaranteed by design.

Figure 20. Low-speed external clock source AC timing diagram



### High-speed external clock generated from a crystal/ceramic resonator

The high-speed external (HSE) clock can be supplied with a 4 to 48 MHz crystal/ceramic resonator oscillator. All the information given in this paragraph are based on design simulation results obtained with typical external components specified in [Table 41](#). In the application, the resonator and the load capacitors have to be placed as close as possible to the oscillator pins in order to minimize output distortion and startup stabilization time. Refer to the crystal resonator manufacturer for more details on the resonator characteristics (frequency, package, accuracy).

**Table 41. HSE oscillator characteristics<sup>(1)</sup>**

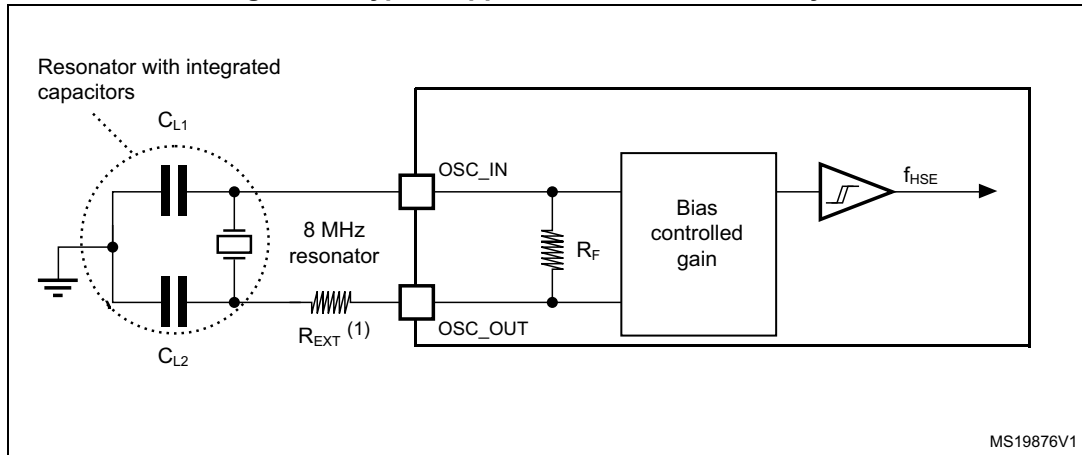
Symbol	Parameter	Conditions <sup>(2)</sup>	Min	Typ	Max	Unit
$f_{OSC\_IN}$	Oscillator frequency	-	4	8	48	MHz
$R_F$	Feedback resistor	-	-	200	-	k $\Omega$
$I_{DD(HSE)}$	HSE current consumption	During startup <sup>(3)</sup>	-	-	5.5	mA
		$V_{DD} = 3\text{ V}$ , $R_m = 30\ \Omega$ , $CL = 10\text{ pF}@8\text{ MHz}$	-	0.44	-	
		$V_{DD} = 3\text{ V}$ , $R_m = 45\ \Omega$ , $CL = 10\text{ pF}@8\text{ MHz}$	-	0.45	-	
		$V_{DD} = 3\text{ V}$ , $R_m = 30\ \Omega$ , $CL = 5\text{ pF}@48\text{ MHz}$	-	0.68	-	
		$V_{DD} = 3\text{ V}$ , $R_m = 30\ \Omega$ , $CL = 10\text{ pF}@48\text{ MHz}$	-	0.94	-	
		$V_{DD} = 3\text{ V}$ , $R_m = 30\ \Omega$ , $CL = 20\text{ pF}@48\text{ MHz}$	-	1.77	-	
$G_m$	Maximum critical crystal transconductance	Startup	-	-	1.5	mA/V
$t_{SU(HSE)}^{(4)}$	Startup time	$V_{DD}$ is stabilized	-	2	-	ms

1. Guaranteed by design.
2. Resonator characteristics given by the crystal/ceramic resonator manufacturer.
3. This consumption level occurs during the first 2/3 of the  $t_{SU(HSE)}$  startup time
4.  $t_{SU(HSE)}$  is the startup time measured from the moment it is enabled (by software) to a stabilized 8 MHz oscillation is reached. This value is measured for a standard crystal resonator and it can vary significantly with the crystal manufacturer

For  $C_{L1}$  and  $C_{L2}$ , it is recommended to use high-quality external ceramic capacitors in the 5 pF to 20 pF range (typ.), designed for high-frequency applications, and selected to match the requirements of the crystal or resonator (see [Figure 21](#)).  $C_{L1}$  and  $C_{L2}$  are usually the same size. The crystal manufacturer typically specifies a load capacitance which is the series combination of  $C_{L1}$  and  $C_{L2}$ . PCB and MCU pin capacitance must be included (10 pF can be used as a rough estimate of the combined pin and board capacitance) when sizing  $C_{L1}$  and  $C_{L2}$ .

Note: For information on selecting the crystal, refer to the application note AN2867 “Oscillator design guide for ST microcontrollers” available from the ST website [www.st.com](http://www.st.com).

Figure 21. Typical application with an 8 MHz crystal



1.  $R_{EXT}$  value depends on the crystal characteristics.

### Low-speed external clock generated from a crystal resonator

The low-speed external (LSE) clock can be supplied with a 32.768 kHz crystal resonator oscillator. All the information given in this paragraph are based on design simulation results obtained with typical external components specified in [Table 42](#). In the application, the resonator and the load capacitors have to be placed as close as possible to the oscillator pins in order to minimize output distortion and startup stabilization time. Refer to the crystal resonator manufacturer for more details on the resonator characteristics (frequency, package, accuracy).

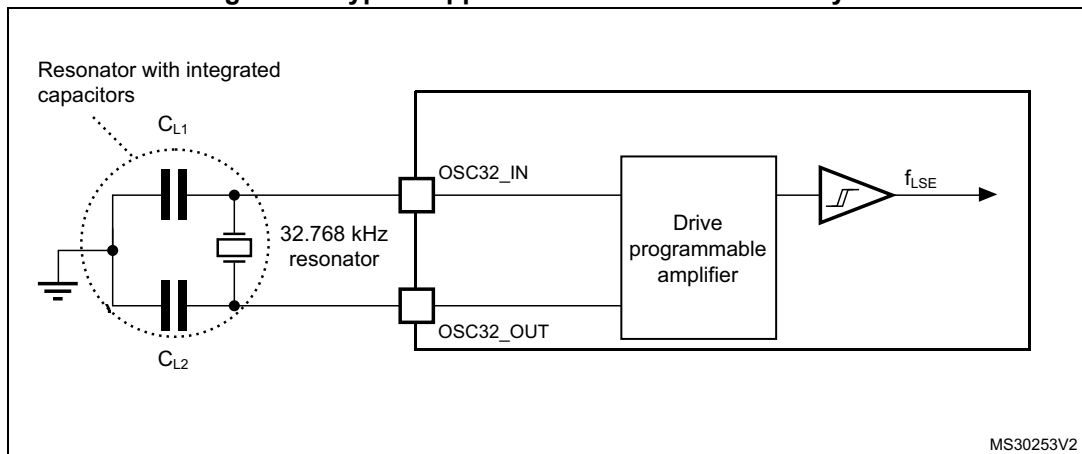
**Table 42. LSE oscillator characteristics ( $f_{LSE} = 32.768 \text{ kHz}$ )<sup>(1)</sup>**

Symbol	Parameter	Conditions <sup>(2)</sup>	Min	Typ	Max	Unit
$I_{DD(LSE)}$	LSE current consumption	LSEDRV[1:0] = 00 Low drive capability	-	250	-	nA
		LSEDRV[1:0] = 01 Medium low drive capability	-	315	-	
		LSEDRV[1:0] = 10 Medium high drive capability	-	500	-	
		LSEDRV[1:0] = 11 High drive capability	-	630	-	
$G_{m_{critmax}}$	Maximum critical crystal gm	LSEDRV[1:0] = 00 Low drive capability	-	-	0.5	$\mu A/V$
		LSEDRV[1:0] = 01 Medium low drive capability	-	-	0.75	
		LSEDRV[1:0] = 10 Medium high drive capability	-	-	1.7	
		LSEDRV[1:0] = 11 High drive capability	-	-	2.7	
$t_{SU(LSE)}$ <sup>(3)</sup>	Startup time	$V_{DD}$ is stabilized	-	2	-	s

1. Guaranteed by design.
2. Refer to the note and caution paragraphs below the table, and to the application note AN2867 "Oscillator design guide for ST microcontrollers".
3.  $t_{SU(LSE)}$  is the startup time measured from the moment it is enabled (by software) to a stabilized 32.768 kHz oscillation is reached. This value is measured for a standard crystal and it can vary significantly with the crystal manufacturer

**Note:** For information on selecting the crystal, refer to the application note AN2867 "Oscillator design guide for ST microcontrollers" available from the ST website [www.st.com](http://www.st.com).

**Figure 22. Typical application with a 32.768 kHz crystal**



**Note:** An external resistor is not required between OSC32\_IN and OSC32\_OUT and it is forbidden to add one.

### 5.3.8 Internal clock source characteristics

The parameters given in [Table 43](#) are derived from tests performed under ambient temperature and supply voltage conditions summarized in [Table 17: General operating conditions](#). The provided curves are characterization results, not tested in production.

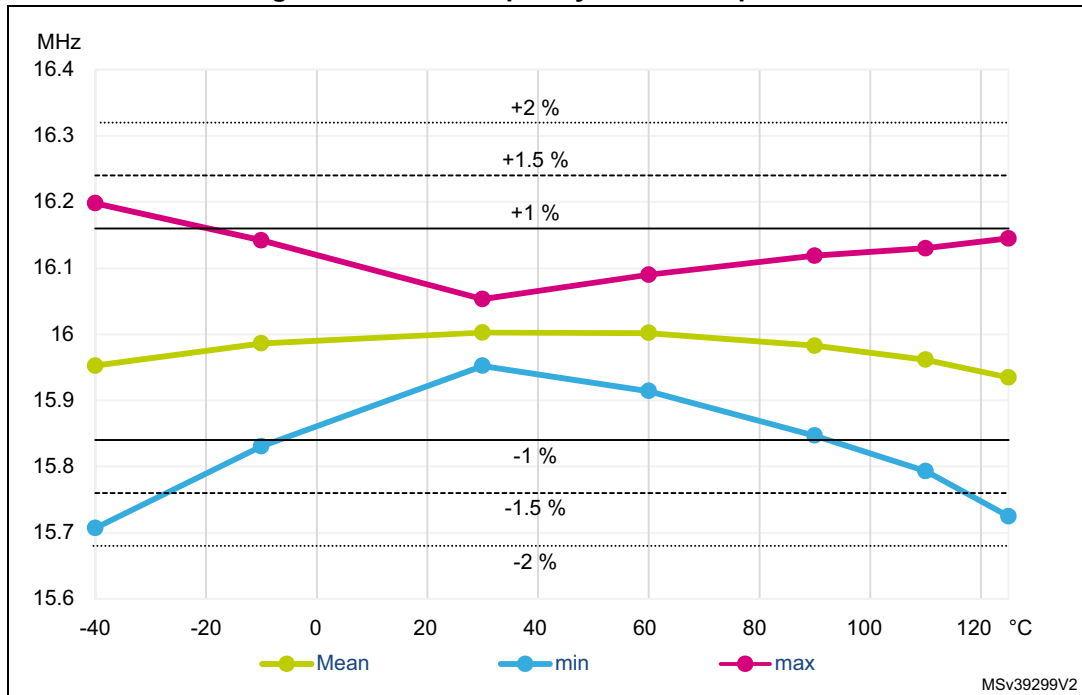
#### High-speed internal (HSI16) RC oscillator

**Table 43. HSI16 oscillator characteristics<sup>(1)</sup>**

Symbol	Parameter	Conditions	Min	Typ	Max	Unit
$f_{\text{HSI16}}$	HSI16 Frequency	$V_{\text{DD}}=3.0\text{ V}$ , $T_{\text{A}}=30\text{ °C}$	15.88	-	16.08	MHz
TRIM	HSI16 user trimming step	Trimming code is not a multiple of 64	0.2	0.3	0.4	%
		Trimming code is a multiple of 64	-4	-6	-8	
$\text{DuCy}(\text{HSI16})^{(2)}$	Duty Cycle	-	45	-	55	%
$\Delta_{\text{Temp}}(\text{HSI16})$	HSI16 oscillator frequency drift over temperature	$T_{\text{A}}=0\text{ to }85\text{ °C}$	-1	-	1	%
		$T_{\text{A}}=-40\text{ to }125\text{ °C}$	-2	-	1.5	%
$\Delta_{\text{VDD}}(\text{HSI16})$	HSI16 oscillator frequency drift over $V_{\text{DD}}$	$V_{\text{DD}}=1.62\text{ V to }3.6\text{ V}$	-0.1	-	0.05	%
$t_{\text{su}}(\text{HSI16})^{(2)}$	HSI16 oscillator start-up time	-	-	0.8	1.2	$\mu\text{s}$
$t_{\text{stab}}(\text{HSI16})^{(2)}$	HSI16 oscillator stabilization time	-	-	3	5	$\mu\text{s}$
$I_{\text{DD}}(\text{HSI16})^{(2)}$	HSI16 oscillator power consumption	-	-	155	190	$\mu\text{A}$

1. Guaranteed by characterization results.
2. Guaranteed by design.

Figure 23. HSI16 frequency versus temperature



High-speed internal 48 MHz (HSI48) RC oscillator

Table 44. HSI48 oscillator characteristics<sup>(1)</sup>

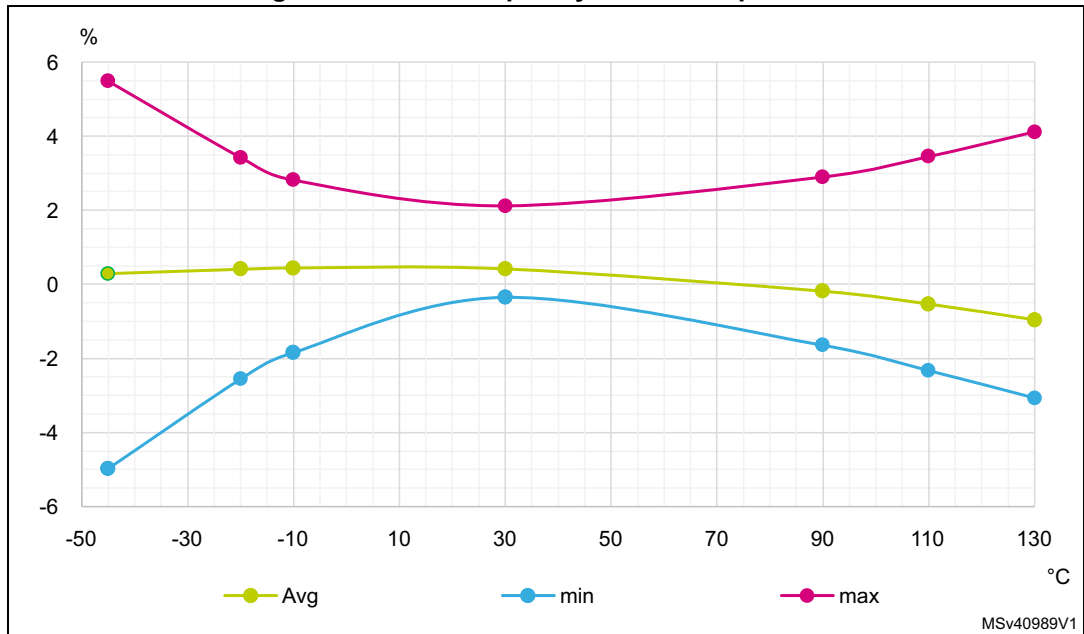
Symbol	Parameter	Conditions	Min	Typ	Max	Unit
$f_{\text{HSI48}}$	HSI48 Frequency	$V_{\text{DD}}=3.0\text{V}$ , $T_{\text{A}}=30^{\circ}\text{C}$	-	48	-	MHz
TRIM	HSI48 user trimming step	-	-	0.11 <sup>(2)</sup>	0.18 <sup>(2)</sup>	%
USER TRIM COVERAGE	HSI48 user trimming coverage	$\pm 32$ steps	$\pm 3$ <sup>(3)</sup>	$\pm 3.5$ <sup>(3)</sup>	-	%
DuCy(HSI48)	Duty Cycle	-	45 <sup>(2)</sup>	-	55 <sup>(2)</sup>	%
$\text{ACC}_{\text{HSI48\_REL}}$	Accuracy of the HSI48 oscillator over temperature (factory calibrated)	$V_{\text{DD}} = 3.0\text{ V to } 3.6\text{ V}$ , $T_{\text{A}} = -15\text{ to } 85\text{ }^{\circ}\text{C}$	-	-	$\pm 3$ <sup>(3)</sup>	%
		$V_{\text{DD}} = 1.65\text{ V to } 3.6\text{ V}$ , $T_{\text{A}} = -40\text{ to } 125\text{ }^{\circ}\text{C}$	-	-	$\pm 4.5$ <sup>(3)</sup>	
$D_{\text{VDD}}(\text{HSI48})$	HSI48 oscillator frequency drift with $V_{\text{DD}}$	$V_{\text{DD}} = 3\text{ V to } 3.6\text{ V}$	-	0.025 <sup>(3)</sup>	0.05 <sup>(3)</sup>	%
		$V_{\text{DD}} = 1.65\text{ V to } 3.6\text{ V}$	-	0.05 <sup>(3)</sup>	0.1 <sup>(3)</sup>	
$t_{\text{su}}(\text{HSI48})$	HSI48 oscillator start-up time	-	-	2.5 <sup>(2)</sup>	6 <sup>(2)</sup>	$\mu\text{s}$
$I_{\text{DD}}(\text{HSI48})$	HSI48 oscillator power consumption	-	-	340 <sup>(2)</sup>	380 <sup>(2)</sup>	$\mu\text{A}$

**Table 44. HSI48 oscillator characteristics<sup>(1)</sup> (continued)**

Symbol	Parameter	Conditions	Min	Typ	Max	Unit
N <sub>T</sub> jitter	Next transition jitter Accumulated jitter on 28 cycles <sup>(4)</sup>	-	-	+/-0.15 <sup>(2)</sup>	-	ns
P <sub>T</sub> jitter	Paired transition jitter Accumulated jitter on 56 cycles <sup>(4)</sup>	-	-	+/-0.25 <sup>(2)</sup>	-	ns

1. V<sub>DD</sub> = 3 V, T<sub>A</sub> = -40 to 125 °C unless otherwise specified.
2. Guaranteed by design.
3. Guaranteed by characterization results.
4. Jitter measurement are performed without clock source activated in parallel.

**Figure 24. HSI48 frequency versus temperature**



**Low-speed internal (LSI) RC oscillator**

**Table 45. LSI oscillator characteristics<sup>(1)</sup>**

Symbol	Parameter	Conditions	Min	Typ	Max	Unit
f <sub>LSI</sub>	LSI Frequency	V <sub>DD</sub> = 3.0 V, T <sub>A</sub> = 30 °C	31.04	-	32.96	kHz
		V <sub>DD</sub> = 1.62 to 3.6 V, T <sub>A</sub> = -40 to 125 °C	29.5	-	34	
t <sub>SU(</sub> LSI) <sup>(2)</sup>	LSI oscillator start-up time	-	-	80	130	µs



**Table 45. LSI oscillator characteristics<sup>(1)</sup> (continued)**

Symbol	Parameter	Conditions	Min	Typ	Max	Unit
t <sub>STAB</sub> (LSI) <sup>(2)</sup>	LSI oscillator stabilization time	5% of final frequency	-	125	180	μs
I <sub>DD</sub> (LSI) <sup>(2)</sup>	LSI oscillator power consumption	-	-	110	180	nA

1. Guaranteed by characterization results.
2. Guaranteed by design.

### 5.3.9 PLL characteristics

The parameters given in [Table 46](#) are derived from tests performed under temperature and V<sub>DD</sub> supply voltage conditions summarized in [Table 17: General operating conditions](#).

**Table 46. PLL characteristics<sup>(1)</sup>**

Symbol	Parameter	Conditions	Min	Typ	Max	Unit
f <sub>PLL_IN</sub>	PLL input clock <sup>(2)</sup>	-	2.66	-	16	MHz
	PLL input clock duty cycle	-	45	-	55	%
f <sub>PLL_P_OUT</sub>	PLL multiplier output clock P	Voltage scaling Range 1 Boost mode	2.0645	-	170	MHz
		Voltage scaling Range 1	2.0645	-	150	
		Voltage scaling Range 2	2.0645	-	26	
f <sub>PLL_Q_OUT</sub>	PLL multiplier output clock Q	Voltage scaling Range 1 Boost mode	8	-	170	
		Voltage scaling Range 1	8	-	150	
		Voltage scaling Range 2	8	-	26	
f <sub>PLL_R_OUT</sub>	PLL multiplier output clock R	Voltage scaling Range 1 Boost mode	8	-	170	
		Voltage scaling Range 1	8	-	150	
		Voltage scaling Range 2	8	-	26	
f <sub>VCO_OUT</sub>	PLL VCO output	Voltage scaling Range 1	96	-	344	
		Voltage scaling Range 2	96	-	128	
t <sub>LOCK</sub>	PLL lock time	-	-	15	40	μs
Jitter	RMS cycle-to-cycle jitter	System clock 150 MHz	-	28.6	-	±ps
	RMS period jitter		-	21.4	-	
I <sub>DD</sub> (PLL)	PLL power consumption on V <sub>DD</sub> <sup>(1)</sup>	VCO freq = 96 MHz	-	200	260	μA
		VCO freq = 192 MHz	-	300	380	
		VCO freq = 344 MHz	-	520	650	

1. Guaranteed by design.
2. Take care of using the appropriate division factor M to obtain the specified PLL input clock values.

## 5.3.10 Flash memory characteristics

Table 47. Flash memory characteristics<sup>(1)</sup>

Symbol	Parameter	Conditions	Typ	Max	Unit
$t_{\text{prog}}$	64-bit programming time	-	81.7	83.35	$\mu\text{s}$
$t_{\text{prog\_row}}$	One row (32 double word) programming time	Normal programming	2.61	2.7	ms
		Fast programming	1.91	1.95	
$t_{\text{prog\_page}}$	One page (2 Kbytes) programming time	Normal programming	20.91	21.34	
		Fast programming	15.29	15.6	
$t_{\text{ERASE}}$	Page (2 Kbytes) erase time	-	22.02	24.47	
$t_{\text{prog\_bank}}$	One bank (256 Kbyte) programming time	Normal programming	2.68	2.73	
		Fast programming	1.96	2	
$t_{\text{ME}}$	Mass erase time (one or two banks)	-	22.13	24.6	ms
$I_{\text{DD}}$	Average consumption from $V_{\text{DD}}$	Write mode	3.5	-	mA
		Erase mode	3.5	-	
	Maximum current (peak)	Write mode	7 (for 6 $\mu\text{s}$ )	-	
		Erase mode	7 (for 67 $\mu\text{s}$ )	-	

1. Guaranteed by design.

Table 48. Flash memory endurance and data retention

Symbol	Parameter	Conditions	Min <sup>(1)</sup>	Unit
$N_{\text{END}}$	Endurance	$T_{\text{A}} = -40$ to $+105$ °C	10	kcycles
$t_{\text{RET}}$	Data retention	1 kcycle <sup>(2)</sup> at $T_{\text{A}} = 85$ °C	30	Years
		1 kcycle <sup>(2)</sup> at $T_{\text{A}} = 105$ °C	15	
		1 kcycle <sup>(2)</sup> at $T_{\text{A}} = 125$ °C	7	
		10 kcycles <sup>(2)</sup> at $T_{\text{A}} = 55$ °C	30	
		10 kcycles <sup>(2)</sup> at $T_{\text{A}} = 85$ °C	15	
		10 kcycles <sup>(2)</sup> at $T_{\text{A}} = 105$ °C	10	

1. Guaranteed by characterization results.

2. Cycling performed over the whole temperature range.

### 5.3.11 EMC characteristics

Susceptibility tests are performed on a sample basis during device characterization.

#### Functional EMS (electromagnetic susceptibility)

While a simple application is executed on the device (toggling 2 LEDs through I/O ports), the device is stressed by two electromagnetic events until a failure occurs. The failure is indicated by the LEDs:

- **Electrostatic discharge (ESD)** (positive and negative) is applied to all device pins until a functional disturbance occurs. This test is compliant with the IEC 61000-4-2 standard.
- **FTB**: A Burst of Fast Transient voltage (positive and negative) is applied to  $V_{DD}$  and  $V_{SS}$  through a 100 pF capacitor, until a functional disturbance occurs. This test is compliant with the IEC 61000-4-4 standard.

A device reset allows normal operations to be resumed.

The test results are given in [Table 49](#). They are based on the EMS levels and classes defined in application note AN1709.

**Table 49. EMS characteristics**

Symbol	Parameter	Conditions	Level/Class
$V_{FESD}$	Voltage limits to be applied on any I/O pin to induce a functional disturbance	$V_{DD} = 3.3\text{ V}$ , $T_A = +25\text{ °C}$ , $f_{HCLK} = 170\text{ MHz}$ , conforming to IEC 61000-4-2	3B
$V_{EFTB}$	Fast transient voltage burst limits to be applied through 100 pF on $V_{DD}$ and $V_{SS}$ pins to induce a functional disturbance	$V_{DD} = 3.3\text{ V}$ , $T_A = +25\text{ °C}$ , $f_{HCLK} = 170\text{ MHz}$ , conforming to IEC 61000-4-4	5A

#### Designing hardened software to avoid noise problems

EMC characterization and optimization are performed at component level with a typical application environment and simplified MCU software. It should be noted that good EMC performance is highly dependent on the user application and the software in particular.

Therefore it is recommended that the user applies EMC software optimization and prequalification tests in relation with the EMC level requested for his application.

Software recommendations

The software flowchart must include the management of runaway conditions such as:

- Corrupted program counter
- Unexpected reset
- Critical Data corruption (control registers...)

Prequalification trials

Most of the common failures (unexpected reset and program counter corruption) can be reproduced by manually forcing a low state on the NRST pin or the Oscillator pins for 1 second.

To complete these trials, ESD stress can be applied directly on the device, over the range of specification values. When unexpected behavior is detected, the software can be hardened to prevent unrecoverable errors occurring (see application note AN1015).

**Electromagnetic Interference (EMI)**

The electromagnetic field emitted by the device are monitored while a simple application is executed (toggling 2 LEDs through the I/O ports). This emission test is compliant with IEC 61967-2 standard which specifies the test board and the pin loading.

**Table 50. EMI characteristics**

Symbol	Parameter	Conditions	Monitored frequency band	Max vs. [f <sub>HSE</sub> /f <sub>HCLK</sub> ]	Unit
				8 MHz / 170 MHz	
S <sub>EMI</sub>	Peak level	V <sub>DD</sub> = 3.6 V, T <sub>A</sub> = 25 °C, LQFP128 package compliant with IEC 61967-2	0.1 MHz to 30 MHz	4	dBμV
			30 MHz to 130 MHz	0	
			130 MHz to 1 GHz	16	
			1 GHz to 2 GHz	11	
			EMI Level	3.5	-

**5.3.12 Electrical sensitivity characteristics**

Based on three different tests (ESD, LU) using specific measurement methods, the device is stressed in order to determine its performance in terms of electrical sensitivity.

**Electrostatic discharge (ESD)**

Electrostatic discharges (a positive then a negative pulse separated by 1 second) are applied to the pins of each sample according to each pin combination. The sample size depends on the number of supply pins in the device (3 parts × (n+1) supply pins). This test conforms to the ANSI/JEDEC standard.

**Table 51. ESD absolute maximum ratings**

Symbol	Ratings	Conditions	Class	Maximum value <sup>(1)</sup>	Unit	
V <sub>ESD(HBM)</sub>	Electrostatic discharge voltage (human body model)	T <sub>A</sub> = +25 °C, conforming to ANSI/ESDA/JEDEC JS-001	2	2000	V	
V <sub>ESD(CDM)</sub>	Electrostatic discharge voltage (charge device model)	T <sub>A</sub> = +25 °C, conforming to ANSI/ESDA/JEDEC JS-002	LQFP100 and LQFP128	C1	250	V
			Other packages	C2a	500	

1. Guaranteed by characterization results.



### Static latch-up

Two complementary static tests are required on three parts to assess the latch-up performance:

- A supply overvoltage is applied to each power supply pin.
- A current injection is applied to each input, output and configurable I/O pin.

These tests are compliant with EIA/JESD 78E IC latch-up standard.

**Table 52. Electrical sensitivities**

Symbol	Parameter	Conditions	Class
LU	Static latch-up class	TA = +125 °C conforming to JESD78E	Class II level A

### 5.3.13 I/O current injection characteristics

As a general rule, current injection to the I/O pins, due to external voltage below  $V_{SS}$  or above  $V_{DD}$  (for standard, 3.3 V-capable I/O pins) should be avoided during normal product operation. However, in order to give an indication of the robustness of the microcontroller in cases when abnormal injection accidentally happens, susceptibility tests are performed on a sample basis during device characterization.

#### Functional susceptibility to I/O current injection

While a simple application is executed on the device, the device is stressed by injecting current into the I/O pins programmed in floating input mode. While current is injected into the I/O pin, one at a time, the device is checked for functional failures.

The failure is indicated by an out of range parameter: ADC error above a certain limit (higher than 5 LSB TUE), out of conventional limits of induced leakage current on adjacent pins (out of the  $-5 \mu A/+0 \mu A$  range) or other functional failure (for example reset occurrence or oscillator frequency deviation).

The characterization results are given in [Table 53](#).

Negative induced leakage current is caused by negative injection and positive induced leakage current is caused by positive injection.

**Table 53. I/O current injection susceptibility**

Symbol	Description	Functional susceptibility		Unit	
		Negative injection	Positive injection		
$I_{INJ}^{(1)}$	Injected current on pin	All except TT_a, PF10, PB8-BOOT0, PC10	-5	NA	mA
		PF10, PB8-BOOT0, PC10	-0	NA	
		TT_a pins	-5	0	

1. Guaranteed by characterization.

### 5.3.14 I/O port characteristics

#### General input/output characteristics

Unless otherwise specified, the parameters given in [Table 54](#) are derived from tests performed under the conditions summarized in [Table 17: General operating conditions](#). All I/Os are designed as CMOS- and TTL-compliant.

**Table 54. I/O static characteristics**

Symbol	Parameter	Conditions		Min	Typ	Max	Unit
$V_{IL}^{(1)(2)}$	I/O input low level voltage	All except FT_c	1.62 V < $V_{DD}$ < 3.6 V	-	-	0.3x $V_{DD}$	V
						0.39x $V_{DD}$ -0.06 <sup>(3)</sup>	
		FT_c	1.62 V < $V_{DD}$ < 3.6 V	-	-	0.3x $V_{DD}$	
						0.25x $V_{DD}$	
$V_{IH}^{(1)(2)}$	I/O input high level voltage	All except FT_c	1.62 V < $V_{DD}$ < 3.6 V	-	-	0.7x $V_{DD}$	V
						0.49x $V_{DD}$ + 0.26 <sup>(3)</sup>	
		FT_c	1.62 V < $V_{DD}$ < 3.6 V	-	-	0.7x $V_{DD}$	
						-	
$V_{HYS}^{(3)}$	Input hysteresis	TT_xx, FT_xxx, NRST	1.62 V < $V_{DD}$ < 3.6 V	-	200	-	mV
$I_{leak}$	Input leakage current <sup>(3)</sup>	FT_xx except FT_c	$0 < V_{IN} \leq V_{DD}$	-	-	±100	nA
			$V_{DD} \leq V_{IN} \leq V_{DD} + 1$ V	-	-	650 <sup>(4)</sup>	
			$V_{DD} + 1$ V < $V_{IN} \leq 5.5$ V	-	-	200 <sup>(4)</sup>	
		FT_c	$0 \leq V_{IN} \leq V_{DDMAX}$	-	-	2000	
			$V_{DD} \leq V_{IN} < 0.5$ V	-	-	3000	
		FT_u, PC3	$0 \leq V_{IN} \leq V_{DD}$	-	-	±150	
			$V_{DD} \leq V_{IN} \leq V_{DD} + 1$ V	-	-	±2500	
			$V_{DD} \leq V_{IN} \leq 5.5$ V	-	-	±250	
		FT_d	$0 \leq V_{IN} \leq V_{DD}$	-	-	±4500	
			$V_{DD} + 1$ V < $V_{IN} \leq 5.5$ V	-	-	±9000	
		TT_xx	$0 \leq V_{IN} \leq V_{DD}$	-	-	±150	
			$V_{DD} \leq V_{IN} \leq 3.6$ V	-	-	2000	
$R_{PU}$	Weak pull-up equivalent resistor <sup>(5)</sup>	$V_{IN} = V_{SS}$		25	40	55	kΩ
$R_{PD}$	Weak pull-down equivalent resistor <sup>(5)</sup>	$V_{IN} = V_{DD}$		25	40	55	
$C_{IO}$	I/O pin capacitance	I/O pin capacitance	-	-	5	-	pF

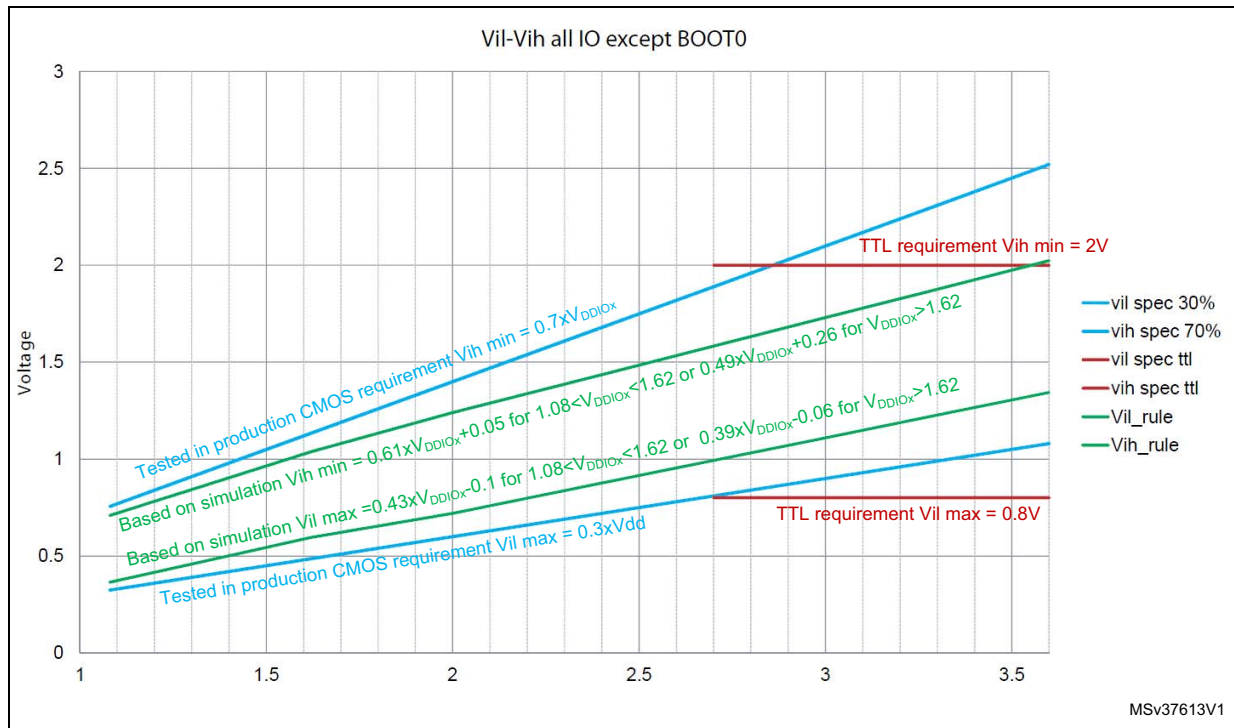
1. Refer to [Figure 25: I/O input characteristics](#)

2. Data based on characterization results, not tested in production
3. Guaranteed by design.
4. This value represents the pad leakage of the I/O itself. The total product pad leakage is provided by this formula:  
 $I_{Total\_leak\_max} = 10 \mu A + [\text{number of I/Os where VIN is applied on the pad}] \times I_{lk}(Max)$ .
5. Pull-up and pull-down resistors are designed with a true resistance in series with a switchable PMOS/NMOS. This PMOS/NMOS contribution to the series resistance is minimal (~10% order).

**Note:** For more information about GPIO properties, refer to the application note AN4899 "STM32 GPIO configuration for hardware settings and low-power consumption" available from the ST website [www.st.com](http://www.st.com).

All I/Os are CMOS- and TTL-compliant (no software configuration required). Their characteristics cover more than the strict CMOS-technology or TTL parameters. The coverage of these requirements is shown in Figure 25 for standard I/Os, and in Figure 25 for 5 V tolerant I/Os.

**Figure 25. I/O input characteristics**



**Output driving current**

The GPIOs (general purpose input/outputs) can sink or source up to ±8 mA, and sink or source up to ± 20 mA (with a relaxed V<sub>OL</sub>/V<sub>OH</sub>).

In the user application, the number of I/O pins which can drive current must be limited to respect the absolute maximum rating specified in [Section 5.2](#):

- The sum of the currents sourced by all the I/Os on  $V_{DD}$ , plus the maximum consumption of the MCU sourced on  $V_{DD}$ , cannot exceed the absolute maximum rating  $\Sigma I_{VDD}$  (see [Table 14: Voltage characteristics](#)).
- The sum of the currents sunk by all the I/Os on  $V_{SS}$ , plus the maximum consumption of the MCU sunk on  $V_{SS}$ , cannot exceed the absolute maximum rating  $\Sigma I_{VSS}$  (see [Table 14: Voltage characteristics](#)).

### Output voltage levels

Unless otherwise specified, the parameters given in the table below are derived from tests performed under the ambient temperature and supply voltage conditions summarized in [Table 17: General operating conditions](#). All I/Os are CMOS- and TTL-compliant (FT OR TT unless otherwise specified).

**Table 55. Output voltage characteristics<sup>(1)(2)</sup>**

Symbol	Parameter	Conditions	Min	Max	Unit
$V_{OL}^{(3)}$	Output low level voltage for an I/O pin	CMOS port $ I_{IO}  = 2 \text{ mA}$ for FT_c I/Os = 8 mA for other I/Os $V_{DD} \geq 2.7 \text{ V}$	-	0.4	V
$V_{OH}^{(3)}$	Output high level voltage for an I/O pin		$V_{DD}-0.4$	-	
$V_{OL}^{(3)}$	Output low level voltage for an I/O pin	TTL port $ I_{IO}  = 2 \text{ mA}$ for FT_c I/Os = 8 mA for other I/Os $V_{DD} \geq 2.7 \text{ V}$	-	0.4	
$V_{OH}^{(3)}$	Output high level voltage for an I/O pin		2.4	-	
$V_{OL}^{(3)}$	Output low level voltage for an I/O pin	All I/Os except FT_c $ I_{IO}  = 20 \text{ mA}$ $V_{DD} \geq 2.7 \text{ V}$	-	1.3	
$V_{OH}^{(3)}$	Output high level voltage for an I/O pin		$V_{DD}-1.3$	-	
$V_{OL}^{(3)}$	Output low level voltage for an I/O pin	$ I_{IO}  = 1 \text{ mA}$ for FT_c I/Os = 4 mA for other I/Os $V_{DD} \geq 1.62 \text{ V}$	-	0.4	
$V_{OH}^{(3)}$	Output high level voltage for an I/O pin		$V_{DD}-0.45$	-	
$V_{OL_{FM+}}^{(3)}$	Output low level voltage for an FT I/O pin in FM+ mode (FT I/O with "F" option)	$ I_{IO}  = 20 \text{ mA}$ $V_{DD} \geq 2.7 \text{ V}$	-	0.4	
		$ I_{IO}  = 10 \text{ mA}$ $V_{DD} \geq 1.62 \text{ V}$	-	0.4	

1. The  $I_{IO}$  current sourced or sunk by the device must always respect the absolute maximum rating specified in [Table 14: Voltage characteristics](#), and the sum of the currents sourced or sunk by all the I/Os (I/O ports and control pins) must always respect the absolute maximum ratings  $\Sigma I_{IO}$ .
2. TTL and CMOS outputs are compatible with JEDEC standards JESD36 and JESD52.
3. Guaranteed by design.

### Input/output AC characteristics

The definition and values of input/output AC characteristics are given in [Figure 26](#) and [Table 56](#), respectively.

Unless otherwise specified, the parameters given are derived from tests performed under the ambient temperature and supply voltage conditions summarized in [Table 17: General operating conditions](#).



Table 56. I/O (except FT\_c) AC characteristics<sup>(1) (2)</sup>

Speed	Symbol	Parameter	Conditions	Min	Max	Unit
00	Fmax	Maximum frequency	C=50 pF, 2.7 V≤V <sub>DD</sub> ≤3.6 V	-	5	MHz
			C=50 pF, 1.62 V≤V <sub>DD</sub> ≤2.7 V	-	1	
			C=10 pF, 2.7 V≤V <sub>DD</sub> ≤3.6 V	-	10	
			C=10 pF, 1.62 V≤V <sub>DD</sub> ≤2.7 V	-	1.5	
	Tr/Tf	Output rise and fall time	C=50 pF, 2.7 V≤V <sub>DD</sub> ≤3.6 V	-	25	ns
			C=50 pF, 1.62 V≤V <sub>DD</sub> ≤2.7 V	-	52	
			C=10 pF, 2.7 V≤V <sub>DD</sub> ≤3.6 V	-	17	
			C=10 pF, 1.62 V≤V <sub>DD</sub> ≤2.7 V	-	37	
01	Fmax	Maximum frequency	C=50 pF, 2.7 V≤V <sub>DD</sub> ≤3.6 V	-	25	MHz
			C=50 pF, 1.62 V≤V <sub>DD</sub> ≤2.7 V	-	10	
			C=10 pF, 2.7 V≤V <sub>DD</sub> ≤3.6 V	-	50	
			C=10 pF, 1.62 V≤V <sub>DD</sub> ≤2.7 V	-	15	
	Tr/Tf	Output rise and fall time	C=50 pF, 2.7 V≤V <sub>DD</sub> ≤3.6 V	-	9	ns
			C=50 pF, 1.62 V≤V <sub>DD</sub> ≤2.7 V	-	16	
			C=10 pF, 2.7 V≤V <sub>DD</sub> ≤3.6 V	-	4.5	
			C=10 pF, 1.62 V≤V <sub>DD</sub> ≤2.7 V	-	9	
10	Fmax	Maximum frequency	C=50 pF, 2.7 V≤V <sub>DD</sub> ≤3.6 V	-	50	MHz
			C=50 pF, 1.62 V≤V <sub>DD</sub> ≤2.7 V	-	25	
			C=10 pF, 2.7 V≤V <sub>DD</sub> ≤3.6 V	-	100 <sup>(3)</sup>	
			C=10 pF, 1.62 V≤V <sub>DD</sub> ≤2.7 V	-	37.5	
	Tr/Tf	Output rise and fall time	C=50 pF, 2.7 V≤V <sub>DD</sub> ≤3.6 V	-	5.8	ns
			C=50 pF, 1.62 V≤V <sub>DD</sub> ≤2.7 V	-	11	
			C=10 pF, 2.7 V≤V <sub>DD</sub> ≤3.6 V	-	2.5	
			C=10 pF, 1.62 V≤V <sub>DD</sub> ≤2.7 V	-	5	
11	Fmax	Maximum frequency	C=30 pF, 2.7 V≤V <sub>DD</sub> ≤3.6 V	-	120 <sup>(3)</sup>	MHz
			C=30 pF, 1.62 V≤V <sub>DD</sub> ≤2.7 V	-	50	
			C=10 pF, 2.7 V≤V <sub>DD</sub> ≤3.6 V	-	180 <sup>(3)</sup>	
			C=10 pF, 1.62 V≤V <sub>DD</sub> ≤2.7 V	-	75	
	Tr/Tf	Output rise and fall time <sup>(4)</sup>	C=30 pF, 2.7 V≤V <sub>DD</sub> ≤3.6 V	-	3.3	ns
			C=30 pF, 1.62 V≤V <sub>DD</sub> ≤2.7 V	-	6	
			C=10 pF, 2.7 V≤V <sub>DD</sub> ≤3.6 V	-	1.7	
			C=10 pF, 1.62 V≤V <sub>DD</sub> ≤2.7 V	-	3.3	

**Table 56. I/O (except FT\_c) AC characteristics<sup>(1) (2)</sup> (continued)**

Speed	Symbol	Parameter	Conditions	Min	Max	Unit
FM+	Fmax <sup>(5)</sup>	Maximum frequency	C=50 pF, 1.6 V ≤ V <sub>DD</sub> ≤ 3.6 V	-	1	MHz
	Tr/TF <sup>(4)</sup>	Output high to low level fall time		-	5	ns

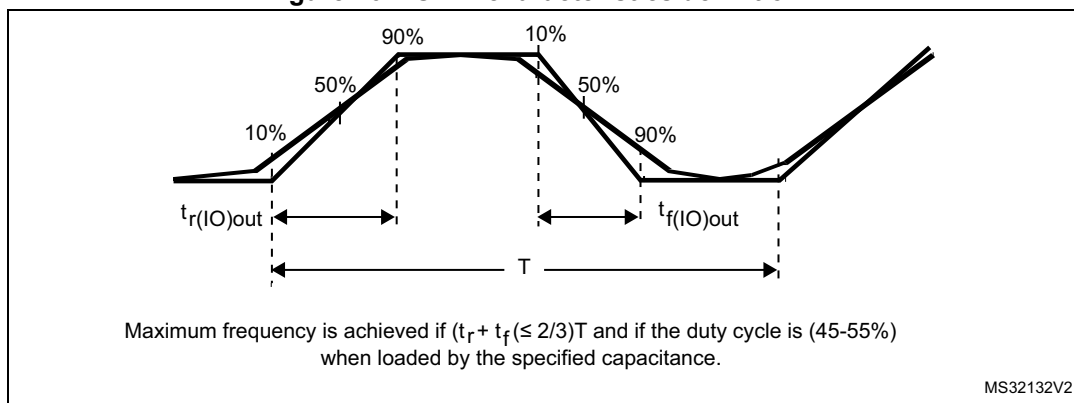
1. The I/O speed is configured using the OSPEEDRy[1:0] bits. The Fm+ mode is configured in the SYSCFG\_CFGR1 register. Refer to the reference manual RM0440 "STM32G4 Series advanced Arm®-based 32-bit MCUs" for a description of GPIO Port configuration register.
2. Guaranteed by design.
3. This value represented the I/O capability but maximum system frequency is 170 MHz.
4. The fall time is defined between 70% and 30% of the output waveform accordingly to I2C specification.
5. The maximum frequency is defined with the following conditions:
  - (Tr+ Tf) ≤ 2/3 T.
  - 45% < Duty cycle < 55%

**Table 57. I/O FT\_c AC characteristics<sup>(1) (2)</sup>**

Speed	Symbol	Parameter	Conditions	Min	Max	Unit
0	Fmax	Maximum frequency	C=50 pF, 2.7 V ≤ V <sub>DD</sub> ≤ 3.6 V	-	2	MHz
			C=50 pF, 1.6 V ≤ V <sub>DD</sub> ≤ 2.7 V	-	1	
	Tr/Tf	Output H/L to L/H level fall time	C=50 pF, 2.7 V ≤ V <sub>DD</sub> ≤ 3.6 V	-	170	ns
			C=50 pF, 1.6 V ≤ V <sub>DD</sub> ≤ 2.7 V	-	330	
1	Fmax	Maximum frequency	C=50 pF, 2.7 V ≤ V <sub>DD</sub> ≤ 3.6 V	-	10	MHz
			C=50 pF, 1.6 V ≤ V <sub>DD</sub> ≤ 2.7 V	-	5	
	Tr/Tf	Output H/L to L/H level fall time	C=50 pF, 2.7 V ≤ V <sub>DD</sub> ≤ 3.6 V	-	35	ns
			C=50 pF, 1.6 V ≤ V <sub>DD</sub> ≤ 2.7 V	-	65	

1. The I/O speed is configured using the OSPEEDRy[1:0] bits. The Fm+ mode is configured in the SYSCFG\_CFGR1 register. Refer to the reference manual RM0440 "STM32G4 Series advanced Arm®-based 32-bit MCUs" for a description of GPIO Port configuration register.
2. Guaranteed by design.

Figure 26. I/O AC characteristics definition<sup>(1)</sup>



1. Refer to [Table 56: I/O \(except FT\\_c\) AC characteristics](#).

### 5.3.15 NRST pin characteristics

The NRST pin input driver uses the CMOS technology. It is connected to a permanent pull-up resistor,  $R_{PU}$ .

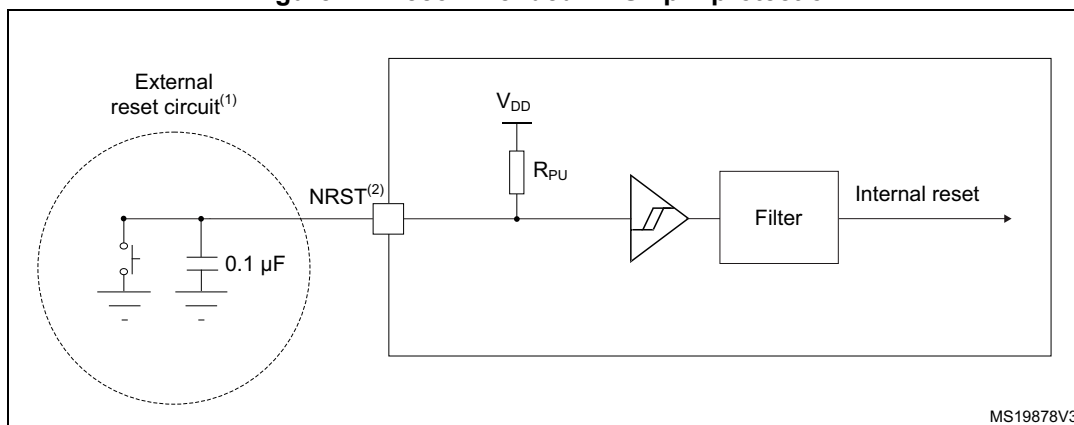
Unless otherwise specified, the parameters given in the table below are derived from tests performed under the ambient temperature and supply voltage conditions summarized in [Table 17: General operating conditions](#).

Table 58. NRST pin characteristics<sup>(1)</sup>

Symbol	Parameter	Conditions	Min	Typ	Max	Unit
$V_{IL(NRST)}$	NRST input low level voltage	-	-	-	$0.3 \times V_{DD}$	V
$V_{IH(NRST)}$	NRST input high level voltage	-	$0.7 \times V_{DD}$	-	-	
$V_{hys(NRST)}$	NRST Schmitt trigger voltage hysteresis	-	-	200	-	mV
$R_{PU}$	Weak pull-up equivalent resistor <sup>(2)</sup>	$V_{IN} = V_{SS}$	25	40	55	k $\Omega$
$V_{F(NRST)}$	NRST input filtered pulse	-	-	-	70	ns
$V_{NF(NRST)}$	NRST input not filtered pulse	$1.71 \text{ V} \leq V_{DD} \leq 3.6 \text{ V}$	350	-	-	ns

- Guaranteed by design.
- The pull-up is designed with a true resistance in series with a switchable PMOS. This PMOS contribution to the series resistance is minimal (~10% order).

Figure 27. Recommended NRST pin protection



1. The reset network protects the device against parasitic resets.
2. The user must ensure that the level on the NRST pin can go below the  $V_{IL(NRST)}$  max level specified in [Table 58: NRST pin characteristics](#). Otherwise the reset is not taken into account by the device.
3. The external capacitor on NRST must be placed as close as possible to the device.

### 5.3.16 Extended interrupt and event controller input (EXTI) characteristics

The pulse on the interrupt input must have a minimal length in order to guarantee that it is detected by the event controller.

Table 59. EXTI input characteristics<sup>(1)</sup>

Symbol	Parameter	Conditions	Min	Typ	Max	Unit
PLEC	Pulse length to event controller	-	20	-	-	ns

1. Guaranteed by design.

### 5.3.17 Analog switches booster

Table 60. Analog switches booster characteristics<sup>(1)</sup>

Symbol	Parameter	Min	Typ	Max	Unit
$V_{DD}$	Supply voltage	1.62	-	3.6	V
$t_{SU(BOOST)}$	Booster startup time	-	-	240	µs
$I_{DD(BOOST)}$	Booster consumption for $1.62\text{ V} \leq V_{DD} \leq 2.0\text{ V}$	-	-	250	µA
	Booster consumption for $2.0\text{ V} \leq V_{DD} \leq 2.7\text{ V}$	-	-	500	
	Booster consumption for $2.7\text{ V} \leq V_{DD} \leq 3.6\text{ V}$	-	-	900	

1. Guaranteed by design.

### 5.3.18 Analog-to-digital converter characteristics

Unless otherwise specified, the parameters given in [Table 61](#) are preliminary values derived from tests performed under ambient temperature,  $f_{PCLK}$  frequency and  $V_{DDA}$  supply voltage conditions summarized in [Table 17: General operating conditions](#).

*Note:* It is recommended to perform a calibration after each power-up.

**Table 61. ADC characteristics<sup>(1) (2)</sup>**

Symbol	Parameter	Conditions	Min	Typ	Max	Unit
$V_{DDA}$	Analog supply voltage	-	1.62	-	3.6	V
$V_{REF+}$	Positive reference voltage	$V_{DDA} \geq 2\text{ V}$	2	-	$V_{DDA}$	V
		$V_{DDA} < 2\text{ V}$	$V_{DDA}$			V
$V_{REF-}$	Negative reference voltage	-	$V_{SSA}$			V
$V_{CMIN}$	Input common mode	Differential	$(V_{REF+}+V_{REF-})/2 - 0.18$	$(V_{REF+} + V_{REF-})/2$	$(V_{REF+} + V_{REF-})/2 + 0.18$	V
$f_{ADC}$	ADC clock frequency	Range 1, single ADC operation	0.14	-	60	MHz
		Range 2	-	-	26	
		Range 1, all ADCs operation, single ended mode $V_{DDA} \geq 2.7\text{ V}$	0.14	-	52	
		Range 1, all ADCs operation, single ended mode $V_{DDA} \geq 1.62\text{ V}$	0.14	-	42	
		Range 1, all ADCs operation, differential mode $V_{DDA} \geq 1.62\text{ V}$	0.14	-	56	
$f_s$	Sampling rate, continuous mode	For given resolution and sampling time cycles ( $t_s$ )	0.001	$f_{ADC} / (\text{sampling time [cycles]} + \text{resolution [bits]} + 0.5)$		Msp/s
$T_{TRIG}$	External trigger period	Considering trigger conversion latency time ( $t_{LATR}$ or $t_{LATRINJ}$ )	-	-	1ms	-
		Resolution = 12 bits, $f_{ADC}=60\text{ MHz}$	$t_{conv} + [t_{LATR}$ or $t_{LATRINJ}]$	-		
$V_{AIN}^{(3)}$	Conversion voltage range	-	0	-	$V_{REF+}$	V

Table 61. ADC characteristics<sup>(1) (2)</sup> (continued)

Symbol	Parameter	Conditions	Min	Typ	Max	Unit
$R_{AIN}^{(4)}$	External input impedance	-	-	-	50	k $\Omega$
$C_{ADC}$	Internal sample and hold capacitor	-	-	5	-	pF
$t_{STAB}$	Power-up time	-	1			conversion cycle
$t_{CAL}$	Calibration time	$f_{ADC} = 60$ MHz	1.93			$\mu$ s
		-	116			$1/f_{ADC}$
$t_{LATR}$	Trigger conversion latency Regular and injected channels without conversion abort	CKMODE = 00	1.5	2	2.5	$1/f_{ADC}$
		CKMODE = 01	-	-	2.0	
		CKMODE = 10	-	-	2.25	
		CKMODE = 11	-	-	2.125	
$t_{LATRINJ}$	Trigger conversion latency Injected channels aborting a regular conversion	CKMODE = 00	2.5	3	3.5	$1/f_{ADC}$
		CKMODE = 01	-	-	3.0	
		CKMODE = 10	-	-	3.25	
		CKMODE = 11	-	-	3.125	
$t_s$	Sampling time	$f_{ADC} = 60$ MHz	0.0416	-	10.675	$\mu$ s
		-	2.5	-	640.5	$1/f_{ADC}$
$t_{ADCVREG\_STUP}$	ADC voltage regulator start-up time	-	-	-	20	$\mu$ s
$t_{CONV}$	Total conversion time (including sampling time)	$f_{ADC} = 60$ MHz Resolution = 12 bits	0.25	-	10.883	$\mu$ s
		-	$t_s[\text{cycles}] + \text{resolution}[\text{bits}] + 0.5 = 15 \text{ to } 653$			$1/f_{ADC}$
$I_{DDA(ADC)}$	ADC consumption from the $V_{DDA}$ supply	$f_s = 4$ Msps	-	590	730	$\mu$ A
		$f_s = 1$ Msps	-	160	220	
		$f_s = 10$ ksps	-	16	50	
$I_{DDV\_S(ADC)}$	ADC consumption from the $V_{REF+}$ single ended mode	$f_s = 4$ Msps	-	110	140	$\mu$ A
		$f_s = 1$ Msps	-	30	40	
		$f_s = 10$ ksps	-	0.6	2	
$I_{DDV\_D(ADC)}$	ADC consumption from the $V_{REF+}$ differential mode	$f_s = 4$ Msps	-	220	270	$\mu$ A
		$f_s = 1$ Msps	-	60	70	
		$f_s = 10$ ksps	-	1.3	3	

1. Guaranteed by design

2. The I/O analog switch voltage booster is enabled when  $V_{DDA} < 2.4\text{ V}$  (BOOSTEN = 1 in the SYSCFG\_CFGR1 when  $V_{DDA} < 2.4\text{ V}$ ). It is disabled when  $V_{DDA} \geq 2.4\text{ V}$ .
3.  $V_{REF+}$  can be internally connected to  $V_{DDA1}$ , depending on the package. Refer to [Section 4: Pinouts and pin description](#) for further details.
4. The maximum value of RAIN can be found in [Table 62: Maximum ADC RAIN](#).

The maximum value of  $R_{AIN}$  can be found in [Table 62: Maximum ADC RAIN](#).

**Table 62. Maximum ADC  $R_{AIN}^{(1)(2)}$**

Resolution	Sampling cycle @60 MHz	Sampling time [ns]	$R_{AIN}$ max ( $\Omega$ )	
			Fast channels <sup>(3)</sup>	Slow channels <sup>(4)</sup>
12 bits	2.5	41.67	100	N/A
	6.5	108.33	330	100
	12.5	208.33	680	470
	24.5	408.33	1500	1200
	47.5	791.67	2200	1800
	92.5	1541.67	4700	3900
	247.5	4125	12000	10000
	640.5	10675	39000	33000
10 bits	2.5	41.67	120	N/A
	6.5	108.33	390	180
	12.5	208.33	820	560
	24.5	408.33	1500	1200
	47.5	791.67	2200	1800
	92.5	1541.67	5600	4700
	247.5	4125	12000	10000
	640.5	10675	47000	39000
8 bits	2.5	41.67	180	N/A
	6.5	108.33	470	270
	12.5	208.33	1000	680
	24.5	408.33	1800	1500
	47.5	791.67	2700	2200
	92.5	1541.67	6800	5600
	247.5	4125	15000	12000
	640.5	10675	50000	50000
6 bits	2.5	41.67	220	N/A
	6.5	108.33	560	330
	12.5	208.33	1200	1000
	24.5	408.33	2700	2200
	47.5	791.67	3900	3300
	92.5	1541.67	8200	6800
	247.5	4125	18000	15000
	640.5	10675	50000	50000



1. Guaranteed by design.
2. The I/O analog switch voltage booster is enabled when  $V_{DDA} < 2.4$  V (BOOSTEN = 1 in the SYSCFG\_CFGR1 when  $V_{DDA} < 2.4$  V). It is disabled when  $V_{DDA} \geq 2.4$  V.
3. Fast channels are: ADCx\_IN1 to ADCx\_IN5.
4. Slow channels are: all ADC inputs except the fast channels.

Table 63. ADC accuracy - limited test conditions 1<sup>(1)</sup>(2)(3)

Symbol	Parameter	Conditions <sup>(4)</sup>		Min	Typ	Max	Unit
ET	Total unadjusted error	Single ended	Fast channel (max speed)	-	5.9	6.9	LSB
			Slow channel (max speed)	-	5.5	6.9	
		Differential	Fast channel (max speed)	-	4.6	5.6	
			Slow channel (max speed)	-	4	5.6	
EO	Offset error	Single ended	Fast channel (max speed)	-	2.5	4	
			Slow channel (max speed)	-	1.9	4	
		Differential	Fast channel (max speed)	-	1.8	2.8	
			Slow channel (max speed)	-	1.1	2.8	
EG	Gain error	Single ended	Fast channel (max speed)	-	4.6	6.6	
			Slow channel (max speed)	-	4.5	6.6	
		Differential	Fast channel (max speed)	-	3.6	4.6	
			Slow channel (max speed)	-	3.3	4.6	
ED	Differential linearity error	Single ended	Fast channel (max speed)	-	1.1	1.9	
			Slow channel (max speed)	-	1.3	1.9	
		Differential	Fast channel (max speed)	-	1.3	1.6	
			Slow channel (max speed)	-	1.4	1.6	
EL	Integral linearity error	Single ended	Fast channel (max speed)	-	2.3	3.4	
			Slow channel (max speed)	-	2.4	3.4	
		Differential	Fast channel (max speed)	-	2.1	3.2	
			Slow channel (max speed)	-	2.2	3.2	
ENOB	Effective number of bits	Single ended	Fast channel (max speed)	10.4	10.6	-	
			Slow channel (max speed)	10.4	10.6	-	
		Differential	Fast channel (max speed)	10.8	10.9	-	
			Slow channel (max speed)	10.8	10.9	-	
SINAD	Signal-to-noise and distortion ratio	Single ended	Fast channel (max speed)	64.4	65.6	-	
			Slow channel (max speed)	64.4	65.6	-	
		Differential	Fast channel (max speed)	66.8	67.5	-	
			Slow channel (max speed)	66.8	67.5	-	
SNR	Signal-to-noise ratio	Single ended	Fast channel (max speed)	65	66.9	-	
			Slow channel (max speed)	65	66.9	-	
		Differential	Fast channel (max speed)	67	69	-	
			Slow channel (max speed)	67	69	-	

**Table 63. ADC accuracy - limited test conditions 1<sup>(1)</sup>2<sup>(2)</sup>3<sup>(3)</sup> (continued)**

Symbol	Parameter	Conditions <sup>(4)</sup>			Min	Typ	Max	Unit
THD	Total harmonic distortion	Single ADC operation ADC clock frequency ≤ 60 MHz, V <sub>DDA</sub> = VREF+ = 3 V, TA = 25 °C Continuous mode, sampling rate: Fast channels@4Msps Slow channels@2Msps	Single ended	Fast channel (max speed)	-	-73	-72	dB
				Slow channel (max speed)	-	-73	-72	
			Differential	Fast channel (max speed)	-	-73	-72	
				Slow channel (max speed)	-	-73	-72	

1. Guaranteed by design.
2. ADC DC accuracy values are measured after internal calibration.
3. ADC accuracy vs. negative Injection Current: Injecting negative current on any analog input pins should be avoided as this significantly reduces the accuracy of the conversion being performed on another analog input. It is recommended to add a Schottky diode (pin to ground) to analog pins which may potentially inject negative current.
4. The I/O analog switch voltage booster is enabled when V<sub>DDA</sub> < 2.4 V (BOOSTEN = 1 in the SYSCFG\_CFGR1 when V<sub>DDA</sub> < 2.4 V). It is disabled when V<sub>DDA</sub> ≥ 2.4 V. No oversampling.

Table 64. ADC accuracy - limited test conditions 2<sup>(1)</sup>(2)(3)

Symbol	Parameter	Conditions <sup>(4)</sup>		Min	Typ	Max	Unit	
ET	Total unadjusted error		Single ended	Fast channel (max speed)	-	5.9	8.4	LSB
				Slow channel (max speed)	-	5.5	8	
			Differential	Fast channel (max speed)	-	4.6	6.6	
				Slow channel (max speed)	-	4	6	
EO	Offset error		Single ended	Fast channel (max speed)	-	2.5	6	
				Slow channel (max speed)	-	1.9	6.9	
			Differential	Fast channel (max speed)	-	1.8	3.3	
				Slow channel (max speed)	-	1.1	3.3	
EG	Gain error		Single ended	Fast channel (max speed)	-	4.6	8.1	
				Slow channel (max speed)	-	4.5	8.1	
			Differential	Fast channel (max speed)	-	3.6	4.6	
				Slow channel (max speed)	-	3.3	4.6	
ED	Differential linearity error	Single ADC operation ADC clock frequency ≤ 60 MHz, 2 V ≤ V <sub>DDA</sub> Continuous mode, sampling rate: Fast channels@4Msps Slow channels@2Msps	Single ended	Fast channel (max speed)	-	1.1	1.8	
				Slow channel (max speed)	-	1.3	1.8	
			Differential	Fast channel (max speed)	-	1.3	1.6	
				Slow channel (max speed)	-	1.4	1.6	
EL	Integral linearity error		Single ended	Fast channel (max speed)	-	2.3	4.4	
				Slow channel (max speed)	-	2.4	4.4	
			Differential	Fast channel (max speed)	-	2.1	4.1	
				Slow channel (max speed)	-	2.2	3.7	
ENOB	Effective number of bits		Single ended	Fast channel (max speed)	10	10.6	-	bits
				Slow channel (max speed)	10	10.6	-	
			Differential	Fast channel (max speed)	10.7	10.9	-	
				Slow channel (max speed)	10.7	10.9	-	
SINAD	Signal-to-noise and distortion ratio		Single ended	Fast channel (max speed)	62	65.6	-	dB
				Slow channel (max speed)	62	65.6	-	
			Differential	Fast channel (max speed)	65	67.5	-	
				Slow channel (max speed)	65	67.5	-	
SNR	Signal-to-noise ratio		Single ended	Fast channel (max speed)	64	66.9	-	
				Slow channel (max speed)	64	66.9	-	
			Differential	Fast channel (max speed)	66.5	69	-	
				Slow channel (max speed)	66.5	69	-	

**Table 64. ADC accuracy - limited test conditions 2<sup>(1)</sup>(2)(3) (continued)**

Symbol	Parameter	Conditions <sup>(4)</sup>			Min	Typ	Max	Unit
THD	Total harmonic distortion	Single ADC operation ADC clock frequency ≤ 60 MHz, 2 V ≤ V <sub>DDA</sub> Continuous mode, sampling rate: Fast channels@4Msps Slow channels@2Msps	Single ended	Fast channel (max speed)	-	-73	-65	dB
				Slow channel (max speed)	-	-73	-67	
			Differential	Fast channel (max speed)	-	-73	-70	
				Slow channel (max speed)	-	-73	-71	

1. Guaranteed by design.
2. ADC DC accuracy values are measured after internal calibration.
3. ADC accuracy vs. negative Injection Current: Injecting negative current on any analog input pins should be avoided as this significantly reduces the accuracy of the conversion being performed on another analog input. It is recommended to add a Schottky diode (pin to ground) to analog pins which may potentially inject negative current.
4. The I/O analog switch voltage booster is enabled when V<sub>DDA</sub> < 2.4 V (BOOSTEN = 1 in the SYSCFG\_CFGR1 when V<sub>DDA</sub> < 2.4 V). It is disabled when V<sub>DDA</sub> ≥ 2.4 V. No oversampling.

Table 65. ADC accuracy - limited test conditions 3<sup>(1)(2)(3)</sup>

Symbol	Parameter	Conditions <sup>(4)</sup>		Min	Typ	Max	Unit
ET	Total unadjusted error	Single ended	Fast channel (max speed)	-	5.9	7.9	LSB
			Slow channel (max speed)	-	5.5	7.5	
		Differential	Fast channel (max speed)	-	4.6	7.6	
			Slow channel (max speed)	-	4	5.5	
EO	Offset error	Single ended	Fast channel (max speed)	-	2.5	5.5	
			Slow channel (max speed)	-	1.9	5.5	
		Differential	Fast channel (max speed)	-	1.8	3.5	
			Slow channel (max speed)	-	1.1	3	
EG	Gain error	Single ended	Fast channel (max speed)	-	4.6	7.1	
			Slow channel (max speed)	-	4.5	7	
		Differential	Fast channel (max speed)	-	3.6	4.1	
			Slow channel (max speed)	-	3.3	4.8	
ED	Differential linearity error	Single ended	Fast channel (max speed)	-	1.1	1.9	
			Slow channel (max speed)	-	1.3	1.9	
		Differential	Fast channel (max speed)	-	1.3	1.6	
			Slow channel (max speed)	-	1.4	1.6	
EL	Integral linearity error	Single ended	Fast channel (max speed)	-	2.3	4.4	
			Slow channel (max speed)	-	2.4	4.4	
		Differential	Fast channel (max speed)	-	2.1	3.7	
			Slow channel (max speed)	-	2.2	3.7	
ENOB	Effective number of bits	Single ended	Fast channel (max speed)	10	10.6	-	bits
			Slow channel (max speed)	10	10.6	-	
		Differential	Fast channel (max speed)	10.6	10.9	-	
			Slow channel (max speed)	10.6	10.9	-	
SINAD	Signal-to-noise and distortion ratio	Single ended	Fast channel (max speed)	62	65.6	-	dB
			Slow channel (max speed)	62	65.6	-	
		Differential	Fast channel (max speed)	65	67.5	-	
			Slow channel (max speed)	65	67.5	-	
SNR	Signal-to-noise ratio	Single ended	Fast channel (max speed)	63	66.9	-	
			Slow channel (max speed)	63	66.9	-	
		Differential	Fast channel (max speed)	66	69	-	
			Slow channel (max speed)	66	69	-	

**Table 65. ADC accuracy - limited test conditions 3<sup>(1)</sup>(2)(3) (continued)**

Symbol	Parameter	Conditions <sup>(4)</sup>		Min	Typ	Max	Unit	
THD	Total harmonic distortion	Single ADC operation ADC clock frequency ≤ 60 MHz, 1.62 V ≤ V <sub>DDA</sub> = V <sub>REF+</sub> ≤ 3.6 V, Continuous mode, sampling rate: Fast channels@4Msps Slow channels@2Msps	Single ended	Fast channel (max speed)	-	-73	-67	dB
				Slow channel (max speed)	-	-73	-67	
			Differential	Fast channel (max speed)	-	-73	-71	
				Slow channel (max speed)	-	-73	-71	

1. Guaranteed by design.
2. ADC DC accuracy values are measured after internal calibration.
3. ADC accuracy vs. negative Injection Current: Injecting negative current on any analog input pins should be avoided as this significantly reduces the accuracy of the conversion being performed on another analog input. It is recommended to add a Schottky diode (pin to ground) to analog pins which may potentially inject negative current.
4. The I/O analog switch voltage booster is enabled when V<sub>DDA</sub> < 2.4 V (BOOSTEN = 1 in the SYSCFG\_CFGR1 when V<sub>DDA</sub> < 2.4 V). It is disabled when V<sub>DDA</sub> ≥ 2.4 V. No oversampling.

**Table 66. ADC accuracy (Multiple ADCs operation) - limited test conditions 1<sup>(1)</sup>(2)(3)**

Symbol	Parameter	Conditions <sup>(4)</sup>	Min	Typ	Max	Unit	
ET	Total unadjusted error	Multiple ADC operation ADC clock frequency: single ended ≤ 52 MHz, differential ≤ 56 MHz, V <sub>DDA</sub> = V <sub>REF</sub> = 3.3 V, 25°C, Continuous mode, sampling time: Fast channels: 2.5 cycles Slow channels: 6.5 cycles LQFP100 package	Single ended	-	4.5	-	LSB
			Differential	-	4.1	-	
EO	Offset error		Single ended	-	1.3	-	
			Differential	-	0.4	-	
EG	Gain error		Single ended	-	3.9	-	
			Differential	-	3.4	-	
ED	Differential linearity error		Single ended	-	1.5	-	
			Differential	-	1.2	-	
EL	Integral linearity error		Single ended	-	1.7	-	
			Differential	-	2.1	-	
ENOB	Effective number of bits	Single ended	-	10.7	-	bits	
		Differential	-	10.9	-		
SINAD	Signal-to-noise and distortion ratio	Single ended	-	66.3	-	dB	
		Differential	-	67.2	-		
SNR	Signal-to-noise ratio	Single ended	-	67.3	-		
		Differential	-	68.6	-		
THD	Total harmonic distortion	Single ended	-	-73.5	-	dB	
		Differential	-	-73	-		

1. Data based on characterization result, not tested in production.
2. ADC DC accuracy values are measured after internal calibration.
3. ADC accuracy vs. negative Injection Current: Injecting negative current on any analog input pins should be avoided as this significantly reduces the accuracy of the conversion being performed on another analog input. It is recommended to add a Schottky diode (pin to ground) to analog pins which may potentially inject negative current.
4. The I/O analog switch voltage booster is enabled when V<sub>DDA</sub> < 2.4 V (BOOSTEN = 1 in the SYSCFG\_CFGR1 when V<sub>DDA</sub> < 2.4 V). It is disabled when V<sub>DDA</sub> ≥ 2.4 V. No oversampling.



**Table 67. ADC accuracy (Multiple ADCs operation) - limited test conditions 2<sup>(1)(2)(3)</sup>**

Symbol	Parameter	Conditions <sup>(4)</sup>	Min	Typ	Max	Unit	
ET	Total unadjusted error	Multiple ADC operation ADC clock frequency: single ended ≤ 52 MHz, differential ≤ 56 MHz, V <sub>DDA</sub> ≥ 2.7 V, V <sub>REF</sub> ≥ 1.62 V, -40 to 125°C, Continuous mode, sampling time: Fast channels: 2.5 cycles Slow channels: 6.5 cycles LQFP100 package	Single ended	-	7.1	-	LSB
			Differential	-	4.6	-	
EO	Offset error		Single ended	-	4.2	-	
			Differential	-	2.8	-	
EG	Gain error		Single ended	-	6.8	-	
			Differential	-	4.3	-	
ED	Differential linearity error		Single ended	-	1.5	-	
			Differential	-	1.7	-	
EL	Integral linearity error		Single ended	-	3.1	-	
			Differential	-	2.4	-	
ENOB	Effective number of bits	Single ended	-	10.2	-	bits	
		Differential	-	10.6	-		
SINAD	Signal-to-noise and distortion ratio	Single ended	-	62.9	-	dB	
		Differential	-	65.3	-		
SNR	Signal-to-noise ratio	Single ended	-	63.6	-		
		Differential	-	66.3	-		
THD	Total harmonic distortion	Single ended	-	-70.9	-	dB	
		Differential	-	-71.8	-		

1. Data based on characterization result, not tested in production.
2. ADC DC accuracy values are measured after internal calibration.
3. ADC accuracy vs. negative Injection Current: Injecting negative current on any analog input pins should be avoided as this significantly reduces the accuracy of the conversion being performed on another analog input. It is recommended to add a Schottky diode (pin to ground) to analog pins which may potentially inject negative current.
4. The I/O analog switch voltage booster is enabled when V<sub>DDA</sub> < 2.4 V (BOOSTEN = 1 in the SYSCFG\_CFGR1 when V<sub>DDA</sub> < 2.4 V). It is disabled when V<sub>DDA</sub> ≥ 2.4 V. No oversampling.

**Table 68. ADC accuracy (Multiple ADCs operation) - limited test conditions 3<sup>(1)(2)(3)</sup>**

Symbol	Parameter	Conditions <sup>(4)</sup>	Min	Typ	Max	Unit	
ET	Total unadjusted error	Multiple ADC operation ADC clock frequency: single ended ≤ 42 MHz, differential ≤ 56 MHz, $V_{DDA} = V_{REF} \geq 1.62\text{ V}$ , -40 to 125°C, Continuous mode, sampling time: Fast channels: 2.5 cycles Slow channels: 6.5 cycles LQFP100 package	Single ended	-	7.4	-	LSB
			Differential	-	4.6	-	
EO	Offset error		Single ended	-	4	-	
			Differential	-	2.8	-	
EG	Gain error		Single ended	-	7.2	-	
			Differential	-	4.3	-	
ED	Differential linearity error		Single ended	-	1.8	-	
			Differential	-	1.7	-	
EL	Integral linearity error		Single ended	-	3.1	-	
			Differential	-	2.4	-	
ENOB	Effective number of bits	Single ended	-	10.1	-	bits	
		Differential	-	10.6	-		
SINAD	Signal-to-noise and distortion ratio	Single ended	-	62.6	-	dB	
		Differential	-	65.3	-		
SNR	Signal-to-noise ratio	Single ended	-	63.2	-		
		Differential	-	66.3	-		
THD	Total harmonic distortion	Single ended	-	-70.6	-	dB	
		Differential	-	-71.8	-		

1. Data based on characterization result, not tested in production.
2. ADC DC accuracy values are measured after internal calibration.
3. ADC accuracy vs. negative Injection Current: Injecting negative current on any analog input pins should be avoided as this significantly reduces the accuracy of the conversion being performed on another analog input. It is recommended to add a Schottky diode (pin to ground) to analog pins which may potentially inject negative current.
4. The I/O analog switch voltage booster is enabled when  $V_{DDA} < 2.4\text{ V}$  (BOOSTEN = 1 in the SYSCFG\_CFGR1 when  $V_{DDA} < 2.4\text{ V}$ ). It is disabled when  $V_{DDA} \geq 2.4\text{ V}$ . No oversampling.

Figure 28. ADC accuracy characteristics

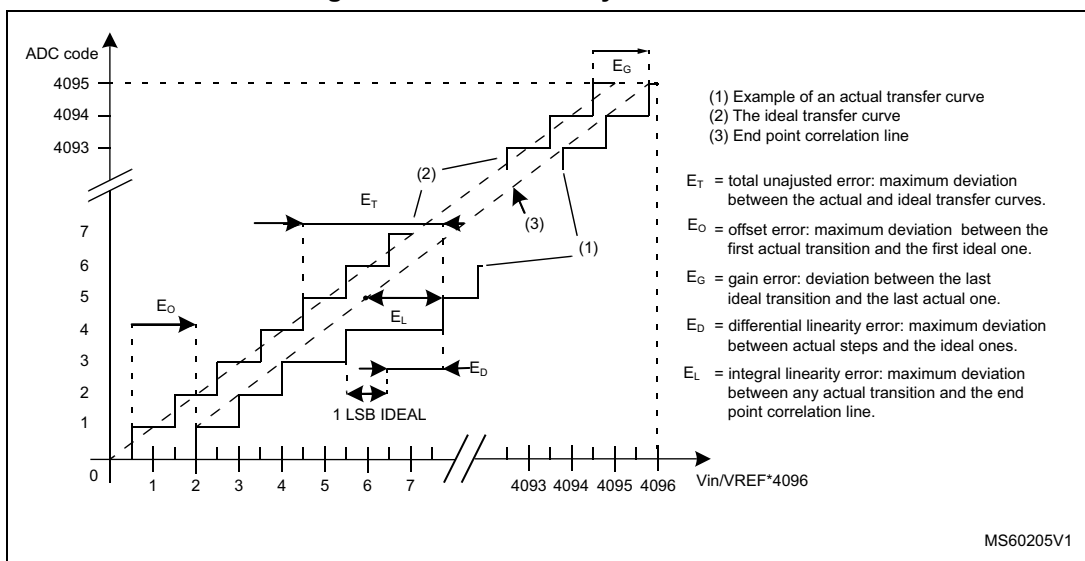
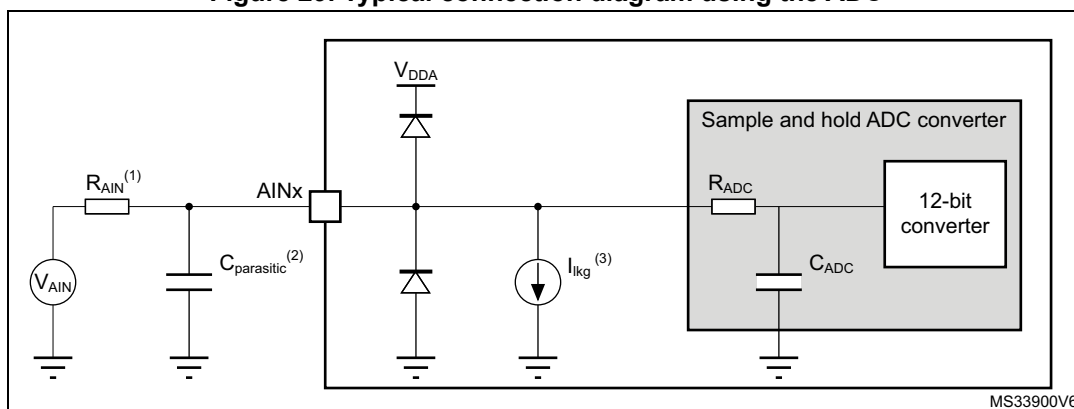


Figure 29. Typical connection diagram using the ADC



1. Refer to [Table 61: ADC characteristics](#) for the values of  $R_{AIN}$  and  $C_{ADC}$ .
2.  $C_{parasitic}$  represents the capacitance of the PCB (dependent on soldering and PCB layout quality) plus the pad capacitance (refer to [Table 54: I/O static characteristics](#) for the value of the pad capacitance). A high  $C_{parasitic}$  value downgrades conversion accuracy. To remedy this,  $f_{ADC}$  should be reduced.
3. Refer to [Table 54: I/O static characteristics](#) for the values of  $I_{kg}$ .

**General PCB design guidelines**

Power supply decoupling must be performed as shown in [Figure 16: Power supply scheme](#). The decoupling capacitor on  $V_{DDA}$  must be ceramic (good quality) and it must be placed as close as possible to the chip.

## 5.3.19 Digital-to-Analog converter characteristics

Table 69. DAC 1MSPS characteristics<sup>(1)</sup>

Symbol	Parameter	Conditions	Min	Typ	Max	Unit	
V <sub>DDA</sub>	Analog supply voltage for DAC ON	DAC output buffer OFF, DAC_OUT pin not connected (internal connection only)	1.71	-	3.6	V	
		Other modes	1.80	-			
V <sub>REF+</sub>	Positive reference voltage	DAC output buffer OFF, DAC_OUT pin not connected (internal connection only)	1.71	-	V <sub>DDA</sub>		
		Other modes	1.80	-			
V <sub>REF-</sub>	Negative reference voltage	-	V <sub>SSA</sub>				
R <sub>L</sub>	Resistive load	DAC output buffer ON	connected to V <sub>SSA</sub>	5	-		-
		connected to V <sub>DDA</sub>	25	-	-		
R <sub>O</sub>	Output Impedance	DAC output buffer OFF	9.6	11.7	13.8	kΩ	
R <sub>BON</sub>	Output impedance sample and hold mode, output buffer ON	V <sub>DD</sub> = 2.7 V	-	-	2	kΩ	
		V <sub>DD</sub> = 2.0 V	-	-	3.5		
R <sub>BOFF</sub>	Output impedance sample and hold mode, output buffer OFF	V <sub>DD</sub> = 2.7 V	-	-	16.5	kΩ	
		V <sub>DD</sub> = 2.0 V	-	-	18.0		
C <sub>L</sub>	Capacitive load	DAC output buffer ON	-	-	50	pF	
C <sub>SH</sub>		Sample and hold mode	-	0.1	1	μF	
V <sub>DAC_OUT</sub>	Voltage on DAC_OUT output	DAC output buffer ON	0.2	-	V <sub>REF+</sub> - 0.2	V	
		DAC output buffer OFF	0	-	V <sub>REF+</sub>		
t <sub>SETTLING</sub>	Settling time (full scale: for a 12-bit code transition between the lowest and the highest input codes when DAC_OUT reaches final value)	Normal mode DAC output buffer ON CL ≤ 50 pF, RL ≥ 5 kΩ	±0.5 LSB	-	1.7	3	μs
			±1 LSB	-	1.6	2.9	
			±2 LSB	-	1.55	2.85	
			±4 LSB	-	1.48	2.8	
			±8 LSB	-	1.4	2.75	
		Normal mode DAC output buffer OFF, ±1LSB, CL = 10 pF	-	2	2.5		
t <sub>WAKEUP</sub> <sup>(2)</sup>	Wakeup time from off state (setting the ENx bit in the DAC Control register) until final value ±1 LSB	Normal mode DAC output buffer ON CL ≤ 50 pF, RL ≥ 5 kΩ	-	4.2	7.5	μs	
		Normal mode DAC output buffer OFF, CL ≤ 10 pF	-	2	5		
PSRR	V <sub>DDA</sub> supply rejection ratio	Normal mode DAC output buffer ON CL ≤ 50 pF, RL = 5 kΩ, DC	-	-80	-28	dB	

Table 69. DAC 1MSPS characteristics<sup>(1)</sup> (continued)

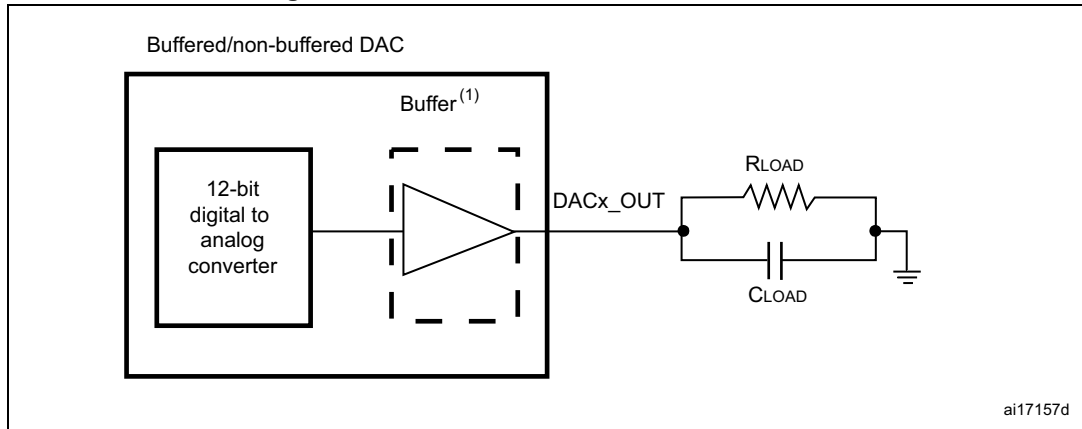
Symbol	Parameter	Conditions	Min	Typ	Max	Unit	
$T_{W\_to\_W}$	Minimal time between two consecutive writes into the DAC_DORx register to guarantee a correct DAC_OUT for a small variation of the input code (1 LSB) DAC_MCR:MODEx[2:0] = 000 or 001 DAC_MCR:MODEx[2:0] = 010 or 011	$CL \leq 50 \text{ pF}$ , $RL \geq 5 \text{ k}\Omega$	1	-	-	$\mu\text{s}$	
		$CL \leq 10 \text{ pF}$	1.4	-	-	$\mu\text{s}$	
$t_{\text{SAMP}}$	Sampling time in sample and hold mode (code transition between the lowest input code and the highest input code when DACOUT reaches final value $\pm 1\text{LSB}$ )	DAC_OUT pin connected				ms	
		DAC output buffer ON, $C_{\text{SH}} = 100 \text{ nF}$	-	0.7	3.5		
		DAC output buffer OFF, $C_{\text{SH}} = 100 \text{ nF}$	-	10.5	18		
		DAC_OUT pin not connected (internal connection only)				$\mu\text{s}$	
		DAC output buffer OFF	-	2	3.5	$\mu\text{s}$	
$I_{\text{leak}}$	Output leakage current	Sample and hold mode, DAC_OUT pin connected	-	-	-(3)	nA	
$C_{\text{int}}$	Internal sample and hold capacitor	-	5.2	7	8.8	pF	
$t_{\text{TRIM}}$	Middle code offset trim time	DAC output buffer ON	50	-	-	$\mu\text{s}$	
$V_{\text{offset}}$	Middle code offset for 1 trim code step	$V_{\text{REF+}} = 3.6 \text{ V}$	-	1500	-	$\mu\text{V}$	
		$V_{\text{REF+}} = 1.8 \text{ V}$	-	750	-		
$I_{\text{DDA(DAC)}}$	DAC consumption from $V_{\text{DDA}}$	DAC output buffer ON	No load, middle code (0x800)	-	315	500	$\mu\text{A}$
			No load, worst code (0xF1C)	-	450	670	
		DAC output buffer OFF	No load, middle code (0x800)	-	-	0.2	
		Sample and hold mode, $C_{\text{SH}} = 100 \text{ nF}$	-	$315 \times \frac{T_{\text{on}}}{T_{\text{on}} + T_{\text{off}}}$ <sup>(4)</sup>	$670 \times \frac{T_{\text{on}}}{T_{\text{on}} + T_{\text{off}}}$ <sup>(4)</sup>		

Table 69. DAC 1MSPS characteristics<sup>(1)</sup> (continued)

Symbol	Parameter	Conditions	Min	Typ	Max	Unit	
I <sub>DDV</sub> (DAC)	DAC consumption from V <sub>REF+</sub>	DAC output buffer ON	No load, middle code (0x800)	-	185	240	μA
			No load, worst code (0xF1C)	-	340	400	
		DAC output buffer OFF	No load, middle code (0x800)	-	155	205	
		Sample and hold mode, buffer ON, C <sub>SH</sub> = 100 nF, worst case	-	185 x Ton/(Ton + Toff) <sup>(4)</sup>	400 x Ton/(Ton + Toff) <sup>(4)</sup>		
		Sample and hold mode, buffer OFF, C <sub>SH</sub> = 100 nF, worst case	-	155 x Ton/(Ton + Toff) <sup>(4)</sup>	205 x Ton/(Ton + Toff) <sup>(4)</sup>		

1. Guaranteed by design.
2. In buffered mode, the output can overshoot above the final value for low input code (starting from min value).
3. Refer to [Table 54: I/O static characteristics](#).
4. Ton is the Refresh phase duration. Toff is the Hold phase duration. Refer to the reference manual RM0440 "STM32G4 Series advanced Arm<sup>®</sup>-based 32-bit MCUs" for more details.

Figure 30. 12-bit buffered / non-buffered DAC



1. The DAC integrates an output buffer to reduce the output impedance and to drive external loads directly without the use of an external operational amplifier. The buffer can be bypassed by configuring the BOFFx bit in the DAC\_CR register.

Table 70. DAC 1MSPS accuracy<sup>(1)</sup>

Symbol	Parameter	Conditions	Min	Typ	Max	Unit	
DNL	Differential non linearity <sup>(2)</sup>	DAC output buffer ON	-	-	±2	LSB	
		DAC output buffer OFF	-	-	±2		
-	monotonicity	10 bits	Guaranteed				
INL	Integral non linearity <sup>(3)</sup>	DAC output buffer ON CL ≤ 50 pF, RL ≥ 5 kΩ	-	-	±4		
		DAC output buffer OFF CL ≤ 50 pF, no RL	-	-	±4		
Offset	Offset error at code 0x800 <sup>(3)</sup>	DAC output buffer ON CL ≤ 50 pF, RL ≥ 5 kΩ	V <sub>REF+</sub> = 3.6 V	-	-		±12
			V <sub>REF+</sub> = 1.8 V	-	-		±25
		DAC output buffer OFF CL ≤ 50 pF, no RL		-	-		±8
Offset1	Offset error at code 0x001 <sup>(4)</sup>	DAC output buffer OFF CL ≤ 50 pF, no RL	-	-	±5		
OffsetCal	Offset Error at code 0x800 after calibration	DAC output buffer ON CL ≤ 50 pF, RL ≥ 5 kΩ	V <sub>REF+</sub> = 3.6 V	-	-		±5
			V <sub>REF+</sub> = 1.8 V	-	-	±7	
Gain	Gain error <sup>(5)</sup>	DAC output buffer ON CL ≤ 50 pF, RL ≥ 5 kΩ	-	-	±0.5	%	
		DAC output buffer OFF CL ≤ 50 pF, no RL	-	-	±0.5		
TUE	Total unadjusted error	DAC output buffer ON CL ≤ 50 pF, RL ≥ 5 kΩ	-	-	±30	LSB	
		DAC output buffer OFF CL ≤ 50 pF, no RL	-	-	±12		
TUECal	Total unadjusted error after calibration	DAC output buffer ON CL ≤ 50 pF, RL ≥ 5 kΩ	-	-	±23	LSB	
SNR	Signal-to-noise ratio	DAC output buffer ON CL ≤ 50 pF, RL ≥ 5 kΩ 1 kHz, BW 500 kHz	-	71.2	-	dB	
		DAC output buffer OFF CL ≤ 50 pF, no RL, 1 kHz BW 500 kHz	-	71.6	-		
THD	Total harmonic distortion	DAC output buffer ON CL ≤ 50 pF, RL ≥ 5 kΩ, 1 kHz	-	-78	-	dB	
		DAC output buffer OFF CL ≤ 50 pF, no RL, 1 kHz	-	-79	-		

**Table 70. DAC 1MSPS accuracy<sup>(1)</sup> (continued)**

Symbol	Parameter	Conditions	Min	Typ	Max	Unit
SINAD	Signal-to-noise and distortion ratio	DAC output buffer ON CL ≤ 50 pF, RL ≥ 5 kΩ, 1 kHz	-	70.4	-	dB
		DAC output buffer OFF CL ≤ 50 pF, no RL, 1 kHz	-	71	-	
ENOB	Effective number of bits	DAC output buffer ON CL ≤ 50 pF, RL ≥ 5 kΩ, 1 kHz	-	11.4	-	bits
		DAC output buffer OFF CL ≤ 50 pF, no RL, 1 kHz	-	11.5	-	

1. Guaranteed by design.
2. Difference between two consecutive codes - 1 LSB.
3. Difference between measured value at Code i and the value at Code i on a line drawn between Code 0 and last Code 4095.
4. Difference between the value measured at Code (0x001) and the ideal value.
5. Difference between ideal slope of the transfer function and measured slope computed from code 0x000 and 0xFFFF when buffer is OFF, and from code giving 0.2 V and (V<sub>REF+</sub> - 0.2) V when buffer is ON.

**Table 71. DAC 15MSPS characteristics<sup>(1)</sup>**

Symbol	Parameter	Conditions	Min	Typ	Max	Unit	
V <sub>DDA</sub>	Analog supply voltage for DAC ON	-	1.71	-	3.6	V	
V <sub>REF+</sub>	Positive reference voltage	-	1.71	-	V <sub>DDA</sub>		
V <sub>REF-</sub>	Negative reference voltage	-	V <sub>SSA</sub>				
V <sub>DAC_OUT</sub>	Voltage on DAC_OUT output	-	0	-	V <sub>REF+</sub>	V	
t <sub>SETTLING</sub>	Settling time (full scale: for a 12-bit code transition between the lowest and the highest input codes when DAC_OUT reaches final value)	V <sub>DDA</sub> > 2.7V With One comparator on DAC output	10%-90%	-	16	22	ns
			5%-95%	-	21	29	
			1%-99%	-	33	46	
			32lsb	-	40	53	
			1lsb	-	64	87	
		V <sub>DDA</sub> > 2.7V With One comparator and OPAMP on DAC output	10%-90%	-	24	32	
			5%-95%	-	32	43	
			1%-99%	-	49	67	
			32lsb	-	57	75	
			1lsb	-	93	125	



Table 71. DAC 15MSPS characteristics<sup>(1)</sup> (continued)

Symbol	Parameter	Conditions	Min	Typ	Max	Unit	
t <sub>SETTLING</sub>	Settling time (full scale: for a 12-bit code transition between the lowest and the highest input codes when DAC_OUT reaches final value)	V <sub>DDA</sub> < 2.7V With One comparator on DAC output	10%-90%	-	16	88	ns
			5%-95%	-	21	116	
			1%-99%	-	33	181	
			32lsb	-	40	196	
			1lsb	-	64	332	
		V <sub>DDA</sub> < 2.7V With One comparator and OPAMP on DAC output	10%-90%	-	24	128	
			5%-95%	-	32	170	
			1%-99%	-	49	265	
			32lsb	-	57	284	
			1lsb	-	93	483	
t <sub>WAKEUP</sub> <sup>(2)</sup>	Wakeup time from off state (setting the ENx bit in the DAC Control register) until final value ±1 LSB	Normal mode CL ≤ 10 pF	-	1.4	3.5	µs	
PSRR	V <sub>DDA</sub> supply rejection ratio	V <sub>DD</sub> > 2.7 V	65	85	-	dB	
		V <sub>DD</sub> < 2.7 V	40	85	-		
t <sub>SAMP</sub>	Sampling time in sample and hold mode (code transition between the lowest input code and the highest input code when DACOUT reaches final value ±1LSB)	-	-	0.7	-	µs	
C <sub>Iint</sub>	Internal sample and hold capacitor	-	-	4	5	pF	
dV/dt (hold phase)	Voltage decay rate in Sample and hold mode, during hold phase	CSH = 4 pF T = 55°C	-	50	-	mV/ms	
I <sub>DDA</sub> (DAC)	DAC consumption from V <sub>DDA</sub>	No load, middle code (0x800)	-	-	0.2	µA	
I <sub>DDV</sub> (DAC)	DAC consumption from V <sub>REF+</sub>	No load, middle code (0x800) <sup>(3)</sup>	-	720	955		

1. Guaranteed by design.
2. In buffered mode, the output can overshoot above the final value for low input code (starting from min value).
3. Worst case consumption is at code 0x800.

Table 72. DAC 15MSPS accuracy<sup>(1)</sup>

Symbol	Parameter	Conditions	Min	Typ	Max	Unit
DNL	Differential non linearity <sup>(2)</sup>	-	-2	-	2	LSB
INL	Integral non linearity <sup>(3)</sup>	CL ≤ 50 pF, no RL	-5	-	5	
TUE	Total unadjusted error	CL ≤ 50 pF, no RL	-5	-	5	
DCS	Dynamic code spike	Spike amplitude on DAC voltage when DAC output value is decreasing	-	0	4	

1. Guaranteed by design.
2. Difference between two consecutive codes - 1 LSB.
3. Difference between measured value at code i and the value at code i on a line drawn between code 0 and last code 4095. Offset error is included.

5.3.20 Voltage reference buffer characteristics

Table 73. VREFBUF characteristics<sup>(1)</sup>

Symbol	Parameter	Conditions		Min	Typ	Max	Unit
V <sub>DDA</sub>	Analog supply voltage	Normal mode	VRS = 00	2.4	-	3.6	V
			VRS = 01	2.8	-	3.6	
			VRS = 10	3.135	-	3.6	
		Degraded mode <sup>(2)</sup>	VRS= 00	1.65	-	2.4	
			VRS = 01	1.65	-	2.8	
			VRS= 10	1.65	-	3.135	
V <sub>REFBUF_OUT</sub>	Voltage reference output	Normal mode <sup>(3)</sup>	VRS= 00	2.044	2.048	2.052	V
			VRS= 01	2.496	2.5	2.504	
			VRS = 10	2.896	2.9	2.904	
		Degraded mode <sup>(2)</sup>	VRS= 00	V <sub>DDA</sub> -250 mV	-	V <sub>DDA</sub>	
			VRS = 01	V <sub>DDA</sub> -250 mV	-	V <sub>DDA</sub>	
			VRS = 10	V <sub>DDA</sub> -250 mV	-	V <sub>DDA</sub>	
V <sub>REFOUT_TEMP</sub> <sup>(3)</sup>	Voltage reference output spread over the temperature range	V <sub>DDA</sub> = 3V		-	-	See Figure 31, Figure 32, Figure 33	mV
TRIM	Trim step resolution	-		-	±0.05	±0.1	%
CL	Load capacitor	-		0.5	1	1.5	µF
esr	Equivalent Serial Resistor of Clload	-		-	-	2	Ω
I <sub>load</sub>	Static load current	-		-	-	6.5	mA
I <sub>line_reg</sub> <sup>(4)</sup>	Line regulation	-		-	1000	2000	ppm/V
I <sub>load_reg</sub>	Load regulation	500 µA ≤ I <sub>load</sub> ≤ 4 mA	Normal mode	-	50	500	ppm/mA
T <sub>Coeff</sub>	Temperature coefficient	-40 °C < T <sub>J</sub> < +125 °C		-	-	T <sub>coeff_vr</sub> = T <sub>coeff_vr</sub> + 50 <sup>(5)</sup>	ppm/ °C
		0 °C < T <sub>J</sub> < +50 °C		-	-		
PSRR	Power supply rejection	DC		40	55	-	dB
		100 kHz		25	40	-	
t <sub>START</sub>	Start-up time	CL = 0.5 µF <sup>(6)</sup>		-	300	350	µs
		CL = 1.1 µF <sup>(6)</sup>		-	500	650	
		CL = 1.5 µF <sup>(6)</sup>		-	650	800	

Table 73. VREFBUF characteristics<sup>(1)</sup> (continued)

Symbol	Parameter	Conditions	Min	Typ	Max	Unit
$I_{INRUSH}$	Control of maximum DC current drive on VREFBUF_OUT during start-up phase <sup>(7)</sup>	-	-	8	-	mA
$I_{DDA(VREFBUF)}$	VREFBUF consumption from $V_{DDA}$	$I_{load} = 0 \mu A$	-	16	25	$\mu A$
		$I_{load} = 500 \mu A$	-	18	30	
		$I_{load} = 4 mA$	-	35	50	
		$I_{load} = 6.5 mA$	-	45	80	

1. Guaranteed by design, unless otherwise specified.
2. In degraded mode, the voltage reference buffer can not maintain accurately the output voltage which follows ( $V_{DDA}$  - drop voltage).
3. Guaranteed by characterization results.
4. Line regulation is given for overall supply variation, in normal mode.
5. Tcoeff\_vrefint refer to Tcoeff parameter in the embedded voltage reference section.
6. The capacitive load must include a 100 nF low ESR capacitor in order to cut-off the high frequency noise.
7. To correctly control the VREFBUF inrush current during start-up phase and scaling change, the  $V_{DDA}$  voltage should be in the range [2.4 V to 3.6 V], [2.8 V to 3.6 V] and [3.135 V to 3.6 V] respectively for VRS=0,1 and 2.

Figure 31.  $V_{REFOUT\_TEMP}$  in case VRS = 00

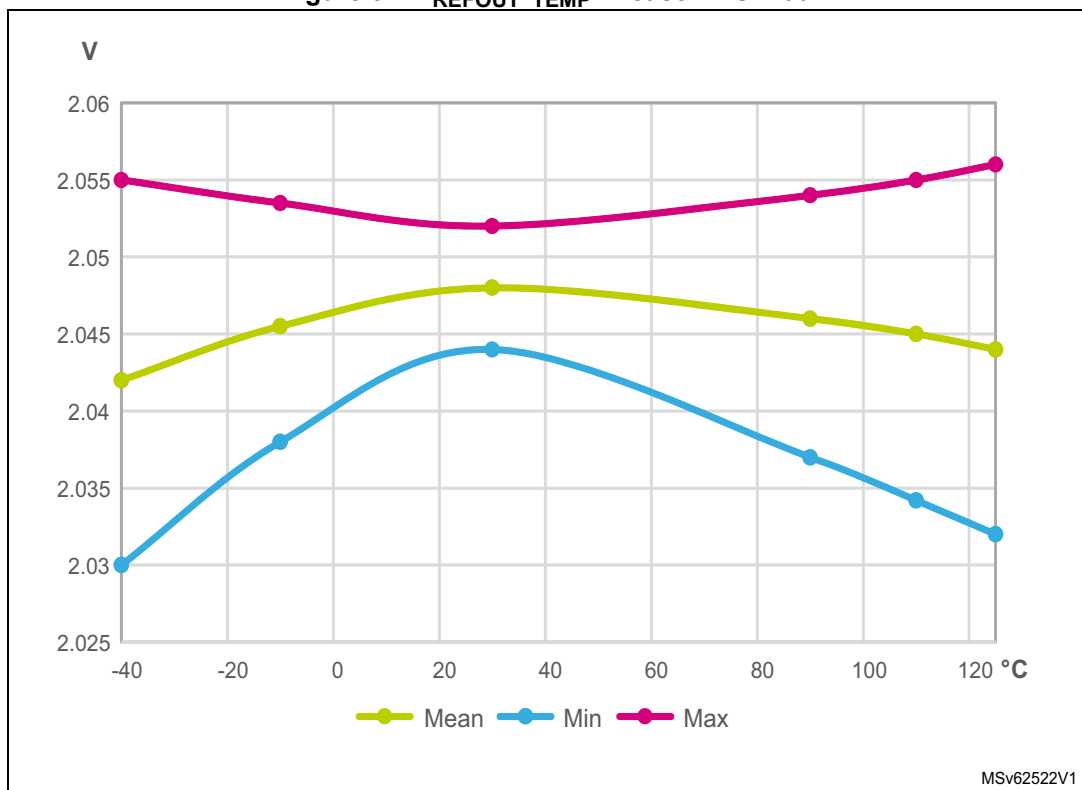


Figure 32.  $V_{REFOUT}$  TEMP in case VRS = 01

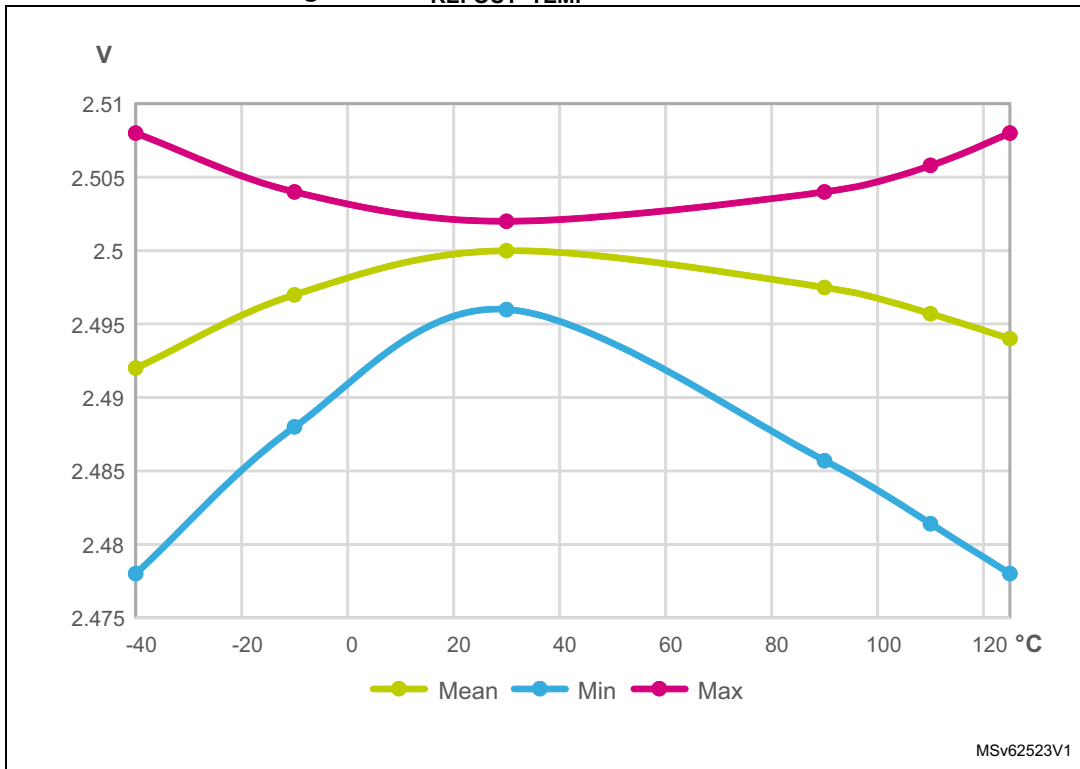
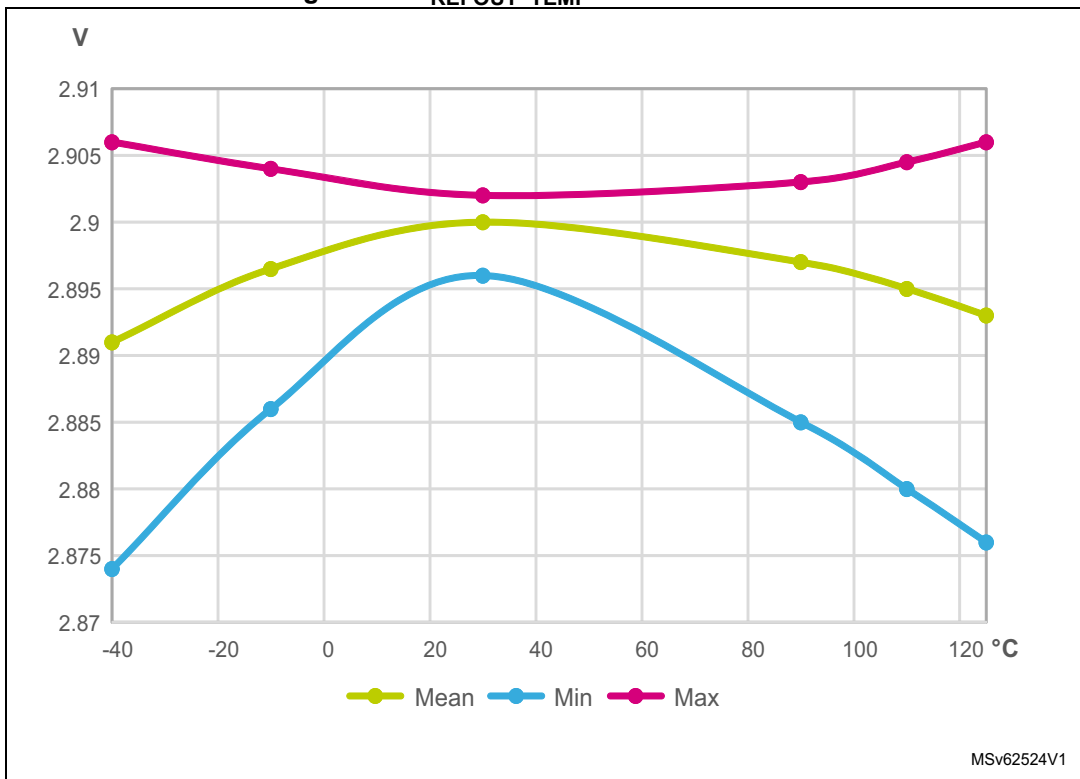


Figure 33.  $V_{REFOUT}$  TEMP in case VRS = 10



## 5.3.21 Comparator characteristics

Table 74. COMP characteristics<sup>(1)</sup>

Symbol	Parameter	Conditions	Min	Typ	Max	Unit	
$V_{DDA}$	Analog supply voltage	-	1.62	-	3.6	V	
$V_{IN}$	Comparator input voltage range	-	0	-	$V_{DDA}$		
$V_{BG}^{(2)}$	Scaler input voltage	-	VREFINT				
$V_{SC}^{(3)}$	Scaler offset voltage	-	-	±5	±10	mV	
$I_{DDA}(SCALER)$	Scaler static consumption from $V_{DDA}$	BRG_EN=0 (bridge disable)	-	200	300	nA	
		BRG_EN=1 (bridge enable)	-	0.8	1	µA	
$t_{START\_SCALER}$	Scaler startup time	-	-	100	200	µs	
$t_{START}$	Comparator startup time to reach propagation delay specification	-	-	-	5	µs	
$t_D^{(4)}$	Propagation delay (From COMP input pin to COMP output pin) for 200 mV step with 100 mV overdrive	50pF load on output	$V_{DDA} < 2.7 V$	-	-	35	ns
			$V_{DDA} \geq 2.7 V$	-	16.7	31	ns
$V_{offset}^{(3)}$	Comparator offset error	Full $V_{DDA}$ voltage range, full temperature range	-9	-6/+2	3	mV	
$V_{hys}$	Comparator hysteresis	HYST[2:0] = 0	-	0	-	mV	
		HYST[2:0] = 1	4	9	16		
		HYST[2:0] = 2	7	18	32		
		HYST[2:0] = 3	11	27	47		
		HYST[2:0] = 4	15	36	63		
		HYST[2:0] = 5	19	45	79		
		HYST[2:0] = 6	23	54	95		
		HYST[2:0] = 7	26	63	110		
$I_{DDA}(COMP)$	Comparator consumption from $V_{DDA}$	Static	-	450	720	µA	
		With 50 kHz ±100 mV overdrive square signal	-	450	-		

1. Guaranteed by design, unless otherwise specified.
2. Refer to [Table 20: Embedded internal voltage reference](#).
3. Guaranteed by characterization results.
4. Typical value (3V) is an average for all comparators propagation delay.

## 5.3.22 Operational amplifiers characteristics

Table 75. OPAMP characteristics<sup>(1) (2)</sup>

Symbol	Parameter	Conditions	Min	Typ	Max	Unit
V <sub>DDA</sub>	Analog supply voltage	-	2	3.3	3.6	V
CMIR	Common mode input range	-	0	-	V <sub>DDA</sub>	V
V <sub>I</sub> OFFSET <sup>(3)</sup>	Input offset voltage	25 °C, No Load on output.	-	-	±1.5	mV
		All voltage/temperature.	-	-	±3	
ΔV <sub>I</sub> OFFSET	Input offset voltage drift	-	-	±10	-	μV/°C
TRIMOFFSE TP	Offset trim step at low common input voltage (0.1 × V <sub>DDA</sub> )	-	-	1.1	1.2	mV
TRIMOFFSE TN	Offset trim step at high common input voltage (0.9 × V <sub>DDA</sub> )	-	-	1.3	1.65	
I <sub>LOAD</sub>	Drive current	-	-	-	500	μA
I <sub>LOAD_PGA</sub>	Drive current in PGA mode	-	-	-	270	
C <sub>LOAD</sub>	Capacitive load	-	-	-	50	pF
CMRR	Common mode rejection ratio	-	-	60	-	dB
PSRR	Power supply rejection ratio	C <sub>LOAD</sub> ≤ 50 pf, R <sub>LOAD</sub> ≥ 4 kΩ DC V <sub>com</sub> =V <sub>DDA</sub> /2	-	80	-	dB
GBW	Gain Bandwidth Product	100mV ≤ Output dynamic range ≤ V <sub>DDA</sub> - 100mV	7	13	-	MHz
SR <sup>(3)</sup>	Slew rate (from 10 and 90% of output voltage)	Normal mode	2.5	6.5	-	V/μs
		High-speed mode	18	45	-	
AO	Open loop gain	100mV ≤ Output dynamic range ≤ V <sub>DDA</sub> - 100mV	65	95	-	dB
		200mV ≤ Output dynamic range ≤ V <sub>DDA</sub> - 200mV	75	95	-	
V <sub>OHSAT</sub> <sup>(3)</sup>	High saturation voltage	I <sub>load</sub> = max or R <sub>load</sub> = min Input at V <sub>DDA</sub> . Follower mode	V <sub>DDA</sub> - 100	-	-	mV
V <sub>OLSAT</sub> <sup>(3)</sup>	Low saturation voltage	I <sub>load</sub> = max or R <sub>load</sub> = min Input at 0. Follower mode	-	-	100	
φ <sub>m</sub>	Phase margin	Follower mode, V <sub>com</sub> =V <sub>DDA</sub> /2	-	65	-	°
GM	Gain margin	Follower mode, V <sub>com</sub> =V <sub>DDA</sub> /2	-	10	-	dB

Table 75. OPAMP characteristics<sup>(1) (2)</sup> (continued)

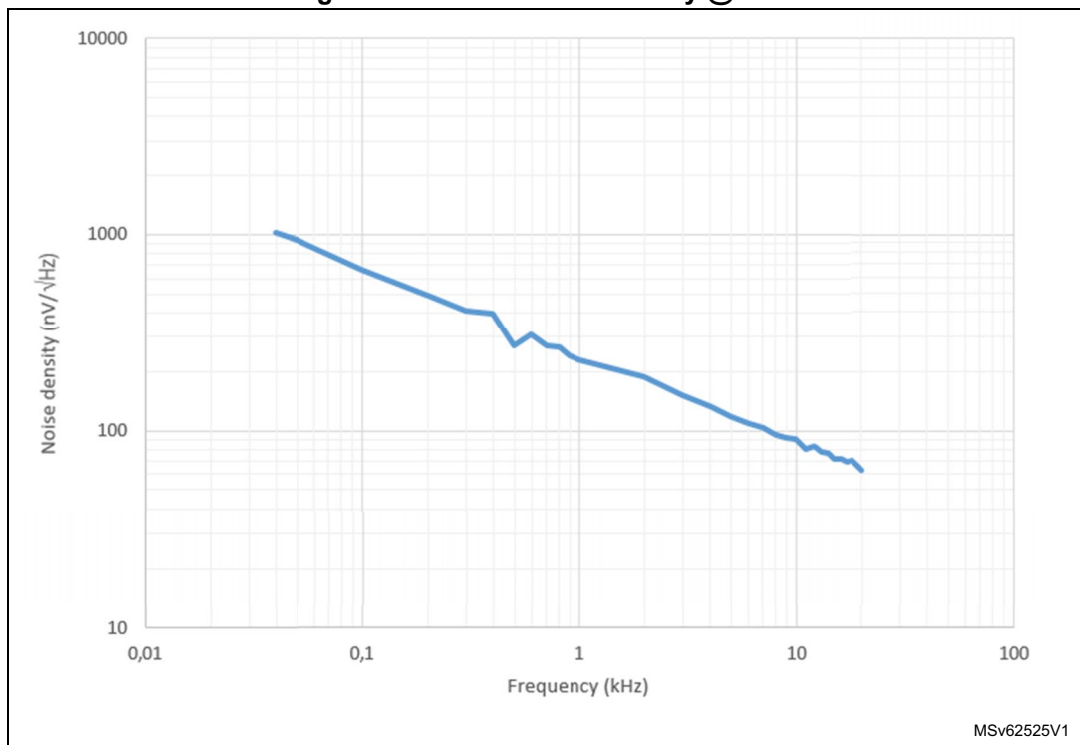
Symbol	Parameter	Conditions		Min	Typ	Max	Unit
$t_{WAKEUP}^{(3)}$	Wake up time from OFF state.	Normal mode	$C_{LOAD} \leq 50$ pf, $R_{LOAD} \geq 4$ k $\Omega$ follower configuration	-	3	6	$\mu$ s
		High-speed mode	$C_{LOAD} \leq 50$ pf, $R_{LOAD} \geq 20$ k $\Omega$ follower configuration	-	3	6	
$I_{bias}$	OPAMP input bias current	See $I_{leak}$ parameter in <a href="#">Table 54: I/O static characteristics</a> for given pin.					
PGA gain	Non inverting gain value <sup>(4)</sup>	PGA Gain = 2 $0.1 \leq$ Out dynamic range $\leq V_{DDA} - 0.1$	$V_{DDA} < 2.2$	-2	-	2	%
			$V_{DDA} \geq 2.2$	-1	-	1	
		PGA Gain=4, $100mV \leq$ Output dynamic range $\leq V_{DDA} - 100mV$		-1	-	1	
		PGA Gain=8 $100mV \leq$ Output dynamic range $\leq V_{DDA} - 100mV$		-1	-	1	
		PGA Gain=16, $100mV \leq$ Output dynamic range $\leq V_{DDA} - 100mV$		-1	-	1	
		PGA Gain=32 $200mV \leq$ Output $\leq V_{DDA} - 200mV$		-2	-	2	
	PGA Gain=64 $200mV \leq$ Output dynamic range $\leq V_{DDA} - 200mV$		-2	-	2		
	Inverting gain value	PGA Gain = -1 $100mV \leq$ Output dynamic range $\leq V_{DDA} - 100mV$	$V_{DDA} < 2.2$	-2	-	2	
			$V_{DDA} \geq 2.2$	-1	-	1	
		PGA Gain=-3, $100mV \leq$ Output dynamic range $\leq V_{DDA} - 100mV$		-1	-	1	
		PGA Gain=-7 $100mV \leq$ Output dynamic range $\leq V_{DDA} - 100mV$		-1	-	1	
		PGA Gain=-15, $100mV \leq$ Output dynamic range $\leq V_{DDA} - 100mV$		-1	-	1	
PGA Gain=-31 $200mV \leq$ Output $\leq V_{DDA} - 200mV$		-2	-	2			
PGA Gain=-63 $200mV \leq$ Output dynamic range $\leq V_{DDA} - 200mV$		-5	-	2			



Table 75. OPAMP characteristics<sup>(1) (2)</sup> (continued)

Symbol	Parameter	Conditions	Min	Typ	Max	Unit	
R <sub>network</sub>	R2/R1 internal resistance values in non-inverting PGA mode <sup>(5)</sup>	PGA Gain = 2	-	10/10	-	kΩ/kΩ	
		PGA Gain = 4	-	30/10	-		
		PGA Gain = 8	-	70/10	-		
		PGA Gain = 16	-	150/10	-		
		PGA Gain = 32	-	310/10	-		
		PGA Gain = 64	-	630/10	-		
	R2/R1 internal resistance values in inverting PGA mode <sup>(5)</sup>	PGA Gain = -1	-	10/10	-		
		PGA Gain = -3	-	30/10	-		
		PGA Gain = -7	-	70/10	-		
		PGA Gain = -15	-	150/10	-		
		PGA Gain = -31	-	310/10	-		
		PGA Gain = -63	-	630/10	-		
Delta R	Resistance variation (R1 or R2)	-	-15	-	+15	%	
PGA BW	PGA bandwidth for different non inverting gain	Gain = 2	-	GBW/2	-	MHz	
		Gain = 4	-	GBW/4	-		
		Gain = 8	-	GBW/8	-		
		Gain = 16	-	GBW/16	-		
		Gain = 32	-	GBW/32	-		
		Gain = 64	-	GBW/64	-		
	PGA bandwidth for different inverting gain	Gain = -1	-	GBW/2	-	MHz	
		Gain = -3	-	GBW/4	-		
		Gain = -7	-	GBW/8	-		
		Gain = -15	-	GBW/16	-		
		Gain = -31	-	GBW/32	-		
		Gain = -63	-	GBW/64	-		
eN	Voltage noise density	at 1 kHz, Output loaded with 4 kΩ	-	250	-	nV/√Hz	
		at 10 kHz, Output loaded with 4 kΩ	-	90	-		
I <sub>DDA</sub> (OPAMP)	OPAMP consumption from V <sub>DDA</sub>	Normal mode	No load, follower mode	-	1.3	2.2	mA
		High-speed mode		-	1.4	2.6	
T <sub>S_OPAMP_VOUT</sub>	ADC sampling time when reading the OPAMP output. OPAINTOEN=1	V <sub>DDA</sub> < 2V	300	-	-	ns	
		V <sub>DDA</sub> ≥ 2V	200	-	-		
I <sub>DDA</sub> (OPAMP INT)	OPAMP consumption from V <sub>DDA</sub> . OPAINTOEN=1	Normal mode	no load, follower mode	-	0.45	0.7	mA
		High-speed mode		-	0.5	0.8	

1. Guaranteed by design, unless otherwise specified.
2. Data guaranteed on normal and high speed mode unless otherwise specified.
3. Guaranteed by characterization results.
4. Valid also for inverting gain configuration with external bias.
5. R2 is the internal resistance between OPAMP output and OPAMP inverting input. R1 is the internal resistance between OPAMP inverting input and ground. The PGA gain =  $1+R2/R1$

**Figure 34. OPAMP noise density @ 25°C**

### 5.3.23 Temperature sensor characteristics

Table 76. TS characteristics

Symbol	Parameter	Min	Typ	Max	Unit
$T_L^{(1)}$	$V_{TS}$ linearity with temperature	-	$\pm 1$	$\pm 2$	$^{\circ}C$
Avg_Slope <sup>(1)</sup>	Average slope	2.3	2.5	2.7	mV/ $^{\circ}C$
$V_{30}$	Voltage at 30 $^{\circ}C$ ( $\pm 5$ $^{\circ}C$ ) <sup>(2)</sup>	0.742	0.76	0.785	V
$t_{START-RUN}^{(1)}$	Start-up time in Run mode (start-up of buffer)	-	8	15	$\mu s$
$t_{START-CONT}^{(3)}$	Start-up time when entering in continuous mode	-	70	120	$\mu s$
$t_{S\_temp}^{(1)}$	ADC sampling time when reading the temperature	5	-	-	$\mu s$
$I_{DD(TS)}^{(1)}$	Temperature sensor consumption from $V_{DD}$ , when selected by ADC	-	4.7	7	$\mu A$

1. Guaranteed by design.
2. Measured at  $V_{DDA} = 3.0 V \pm 10 mV$ . The  $V_{30}$  ADC conversion result is stored in the TS\_CAL1 byte. Refer to [Table 5: Temperature sensor calibration values](#).
3. Continuous mode means RUN mode or Temperature Sensor ON.

### 5.3.24 $V_{BAT}$ monitoring characteristics

Table 77.  $V_{BAT}$  monitoring characteristics

Symbol	Parameter	Min	Typ	Max	Unit
R	Resistor bridge for $V_{BAT}$	-	39	-	k $\Omega$
Q	Ratio on $V_{BAT}$ measurement	-	3	-	-
$E_r^{(1)}$	Error on Q	-10	-	10	%
$t_{S\_vbat}^{(1)}$	ADC sampling time when reading the $V_{BAT}$	12	-	-	$\mu s$

1. Guaranteed by design.

Table 78.  $V_{BAT}$  charging characteristics

Symbol	Parameter	Conditions	Min	Typ	Max	Unit
$R_{BC}$	Battery charging resistor	VBRS = 0	-	5	-	k $\Omega$
		VBRS = 1	-	1.5	-	

### 5.3.25 Timer characteristics

The parameters given in the following tables are guaranteed by design.

Refer to [Section 5.3.14: I/O port characteristics](#) for details on the input/output alternate function characteristics (output compare, input capture, external clock, PWM output).

**Table 79. TIMx<sup>(1)</sup> characteristics<sup>(2)</sup>**

Symbol	Parameter	Conditions	Min	Max	Unit
$t_{res(TIM)}$	Timer resolution time	-	1	-	$t_{TIMxCLK}$
		$f_{TIMxCLK} = 170 \text{ MHz}$	5.88	-	ns
$f_{EXT}$	Timer external clock frequency on CH1 to CH4	-	0	$f_{TIMxCLK}/2$	MHz
		$f_{TIMxCLK} = 170 \text{ MHz}$	0	85	MHz
$Res_{TIM}$	Timer resolution	TIMx (except TIM2 and TIM5)	-	16	bit
		TIM2 and TIM5	-	32	
$t_{COUNTER}$	16-bit counter clock period	-	1	65536	$t_{TIMxCLK}$
		$f_{TIMxCLK} = 170 \text{ MHz}$	0.00588	385.5	$\mu\text{s}$
$t_{MAX\_COUNT}$	Maximum possible count with 32-bit counter	-	-	$65536 \times 65536$	$t_{TIMxCLK}$
		$f_{TIMxCLK} = 170 \text{ MHz}$	-	25.26	s
$f_{ENC}$	Encoder frequency on T11 and T12 input pins	-	0	$f_{TIMxCLK}/4$	MHz
		$f_{TIMxCLK} = 170 \text{ MHz}$	0	42.5	MHz
$t_{W(INDEX)}$	Index pulsewidth on ETR input	-	2	-	Tck
$t_{W(TI1, TI2)}$	Min pulsewidth on T11 and T12 inputs in all encoder modes except directional clock x1	-	2	-	Tck
	Min pulsewidth on T11 and T12 inputs in directional clock x1	-	3	-	Tck

1. TIMx is used as a general term in which x stands for 1,2,3,4,5,6,7,8,15,16, 17 or 20.

2. Guaranteed by design.

**Table 80. IWDG min/max timeout period at 32 kHz (LSI)<sup>(1)(2)</sup>**

Prescaler divider	PR[2:0] bits	Min timeout RL[11:0]= 0x000	Max timeout RL[11:0]= 0xFFFF	Unit
/4	0	0.125	512	ms
/8	1	0.250	1024	
/16	2	0.500	2048	
/32	3	1.0	4096	
/64	4	2.0	8192	
/128	5	4.0	16384	
/256	6 or 7	8.0	32768	

1. Guaranteed by design.
2. The exact timings still depend on the phasing of the APB interface clock versus the LSI clock so that there is always a full RC period of uncertainty.

**Table 81. WWDG min/max timeout value at 170 MHz (PCLK)<sup>(1)</sup>**

Prescaler	WDGTB	Min timeout value	Max timeout value	Unit
1	0	0.0241	1.542	ms
2	1	0.0482	3.084	
4	2	0.0964	6.168	
8	3	0.1928	12.336	

1. Guaranteed by design.

### 5.3.26 Communication interfaces characteristics

#### I<sup>2</sup>C interface characteristics

The I2C interface meets the timings requirements of the I<sup>2</sup>C-bus specification and user manual rev. 03 for:

- Standard-mode (Sm): with a bit rate up to 100 kbit/s
- Fast-mode (Fm): with a bit rate up to 400 kbit/s
- Fast-mode Plus (Fm+): with a bit rate up to 1 Mbit/s.

The I2C timings requirements are guaranteed by design when the I2C peripheral is properly configured (refer to reference manual RM0440 "STM32G4 Series advanced Arm<sup>®</sup>-based 32-bit MCUs") and when the I2CCLK frequency is greater than the minimum shown in the table below.

Table 82. Minimum I2CCLK frequency in all I2C modes

Symbol	Parameter	Condition	Min	Unit	
f(I2CCLK)	I2CCLK frequency	Standard mode		2	MHz
		Fast-mode	Analog Filtre ON DNF=0	8	
			Analog Filtre OFF DNF=1	9	
		Fast-mode Plus	Analog Filtre ON DNF=0	17	
			Analog Filtre OFF DNF=1	16	

The SDA and SCL I/O requirements are met with the following restrictions:

- The SDA and SCL I/O pins are not “true” open-drain. When configured as open-drain, the PMOS connected between the I/O pin and  $V_{DDIOx}$  is disabled, but is still present.
- The 20mA output drive requirement in Fast-mode Plus is supported partially. This limits the maximum load  $C_{load}$  supported in Fm+, which is given by these formulas:
  - $t_r(SDA/SCL)=0.8473 \times R_p \times C_{load}$
  - $R_p(min)=(V_{DD} - V_{OL(max)}) / I_{OL(max)}$

Where  $R_p$  is the I2C lines pull-up. Refer to [Section 5.3.14: I/O port characteristics](#) for the I2C I/Os characteristics.

All I2C SDA and SCL I/Os embed an analog filter. Refer to [Table 83](#) below for the analog filter characteristics:

Table 83. I2C analog filter characteristics<sup>(1)</sup>

Symbol	Parameter	Min	Max	Unit
$t_{AF}$	Maximum pulse width of spikes that are suppressed by the analog filter	50 <sup>(2)</sup>	90 <sup>(3)</sup>	ns

1. Guaranteed by design.
2. Spikes with widths below  $t_{AF(min)}$  are filtered.
3. Spikes with widths above  $t_{AF(max)}$  are not filtered

### SPI characteristics

Unless otherwise specified, the parameters given in [Table 84](#) for SPI are derived from tests performed under the ambient temperature,  $f_{PCLKx}$  frequency and supply voltage conditions summarized in [Table 17: General operating conditions](#).

- Output speed is set to  $OSPEEDRy[1:0] = 11$
- Capacitive load  $C = 30$  pF
- Measurement points are done at CMOS levels:  $0.5 \times V_{DD}$

Refer to [Section 5.3.14: I/O port characteristics](#) for more details on the input/output alternate function characteristics (NSS, SCK, MOSI, MISO for SPI).

Table 84. SPI characteristics<sup>(1)</sup>

Symbol	Parameter	Conditions	Min	Typ	Max <sup>(2)</sup>	Unit
f <sub>SCK</sub> 1/t <sub>c(SCK)</sub>	SPI clock frequency	Master mode 2.7 V < V <sub>DD</sub> < 3.6 V Voltage Range V1	-	-	75	MHz
		Master mode 1.71 V < V <sub>DD</sub> < 3.6 V Voltage Range V1			50	
		Master transmitter mode 1.71 V < V <sub>DD</sub> < 3.6 V Voltage Range V1			50	
		Slave receiver mode 1.71 V < V <sub>DD</sub> < 3.6 V Voltage Range V1			50	
		Slave mode transmitter/full duplex 2.7 V < V <sub>DD</sub> < 3.6 V Voltage Range V1			41	
		Slave mode transmitter/full duplex 1.71 V < V <sub>DD</sub> < 3.6 V Voltage Range V1			27	
		1.71 V < V <sub>DD</sub> < 3.6 V Voltage Range V2			13	
t <sub>su(NSS)</sub>	NSS setup time	Slave mode	4*T <sub>pclk</sub>	-	-	-
t <sub>h(NSS)</sub>	NSS hold time	Slave mode	2*T <sub>pclk</sub>	-	-	-
t <sub>w(SCKH)</sub> t <sub>w(SCKL)</sub>	SCK high and low time	Master mode, SPI prescaler = 2	T <sub>pclk</sub> -1	T <sub>pclk</sub>	T <sub>pclk</sub> +1	ns
t <sub>su(MI)</sub>	Data input setup time	Master mode	4	-	-	ns
t <sub>su(SI)</sub>		Slave mode	3	-	-	
t <sub>h(MI)</sub>	Data input hold time	Master mode	4	-	-	ns
t <sub>h(SI)</sub>		Slave mode	1	-	-	
t <sub>a(SO)</sub>	Data output access time	Slave mode	9	-	34	ns
t <sub>dis(SO)</sub>	Data output disable time	Slave mode	9	-	16	ns

Table 84. SPI characteristics<sup>(1)</sup> (continued)

Symbol	Parameter	Conditions	Min	Typ	Max <sup>(2)</sup>	Unit
$t_{v(SO)}$	Data output valid time	Slave mode $2.7\text{ V} < V_{DD} < 3.6\text{ V}$ Voltage Range V1	-	9	12	ns
		Slave mode $1.71\text{ V} < V_{DD} < 3.6\text{ V}$ Voltage Range V1	-	9	18	
		Slave mode $1.71\text{ V} < V_{DD} < 3.6\text{ V}$ Voltage Range V2	-	13	22	
$t_{v(MO)}$		Master mode	-	3.5	4.5	
$t_{h(SO)}$	Data output hold time	Slave mode $1.71\text{ V} < V_{DD} < 3.6\text{ V}$	6	-	-	
		Slave mode Range V2	9	-	-	
$t_{h(MO)}$		Master mode	2	-	-	

1. Guaranteed by characterization results.
2. The maximum frequency in Slave transmitter mode is determined by the sum of  $t_{v(SO)}$  and  $t_{su(MI)}$  which has to fit into SCK low or high-phase preceding the SCK sampling edge. This value can be achieved when the SPI communicates with a master having  $t_{su(MI)} = 0$  while  $Duty(SCK) = 50\%$ .

Figure 35. SPI timing diagram - slave mode and CPHA = 0

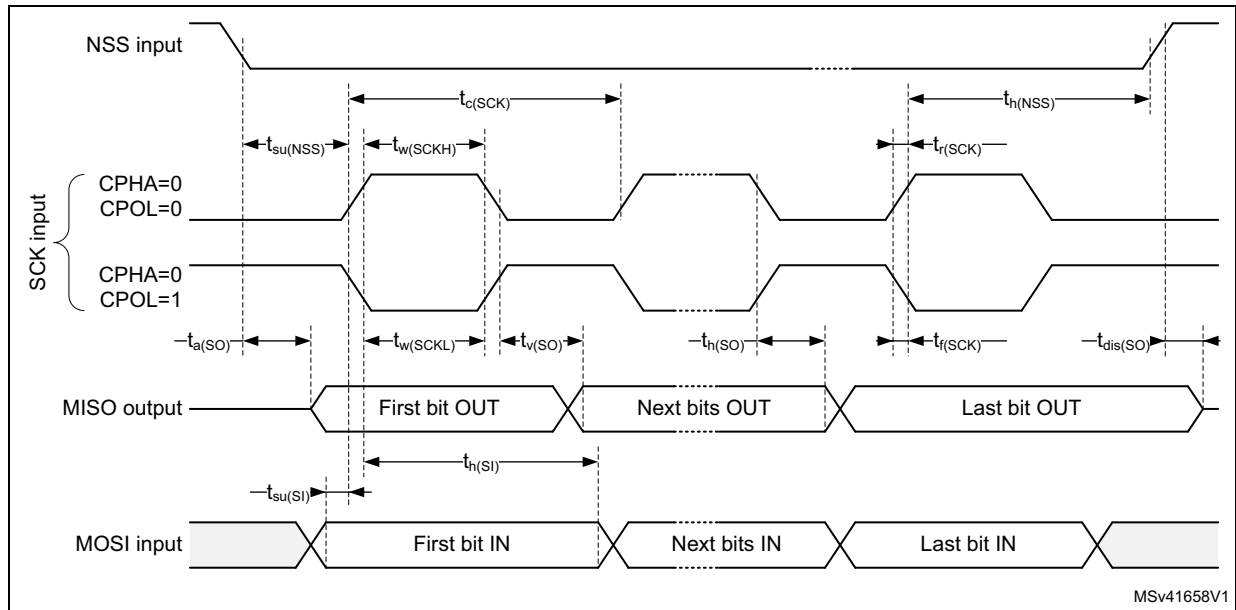
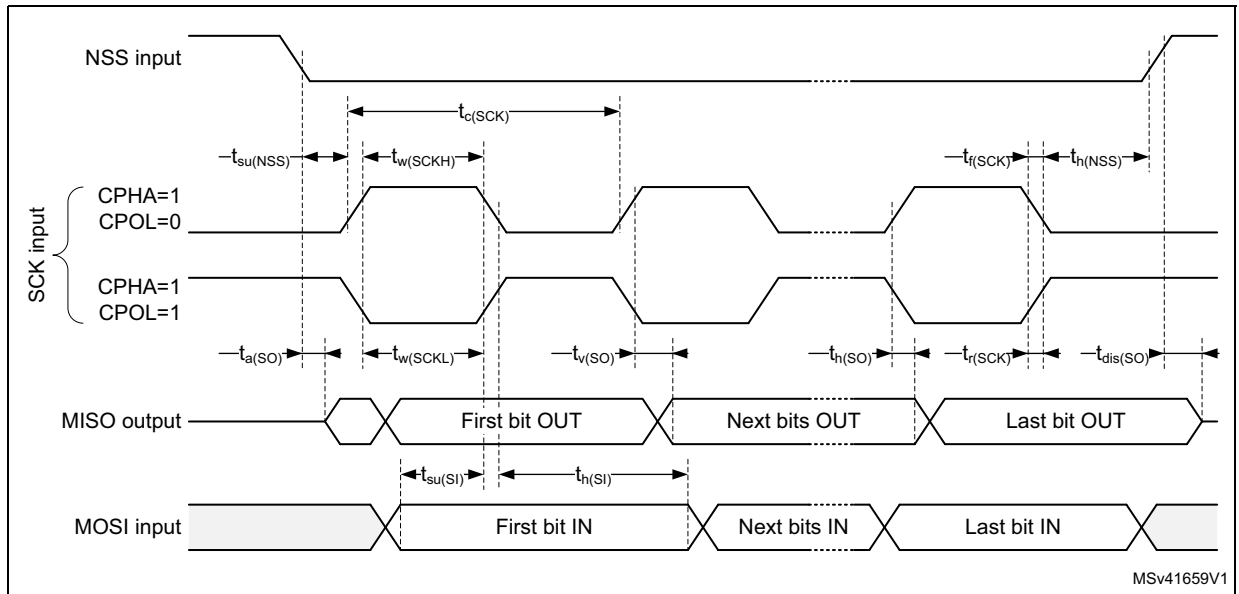


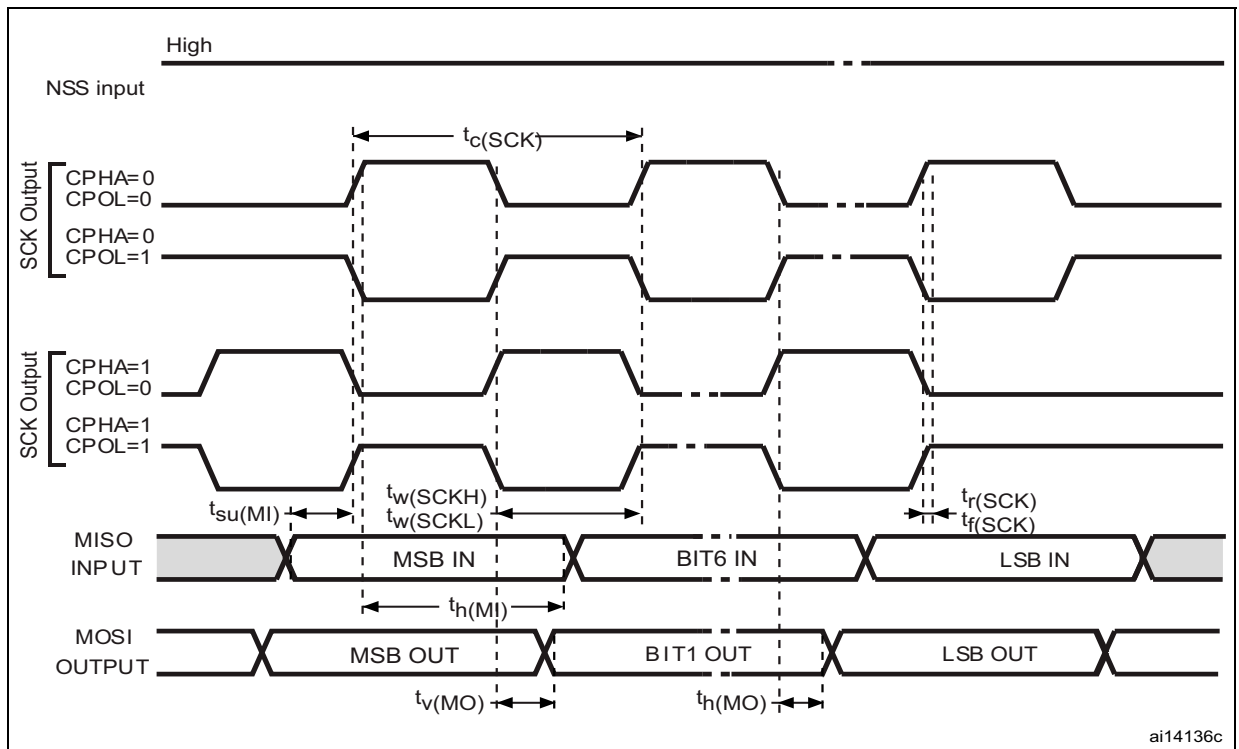


Figure 36. SPI timing diagram - slave mode and CPHA = 1



1. Measurement points are done at CMOS levels: 0.3 V<sub>DD</sub> and 0.7 V<sub>DD</sub>.

Figure 37. SPI timing diagram - master mode



1. Measurement points are done at CMOS levels: 0.3 V<sub>DD</sub> and 0.7 V<sub>DD</sub>.

**I2S characteristics**

Unless otherwise specified, the parameters given in [Table 85](#) for I2S are derived from tests performed under the ambient temperature,  $f_{PCLKx}$  frequency and  $V_{DD}$  supply voltage conditions summarized in [Table 17: General operating conditions](#), with the following configuration:

- Output speed is set to  $OSPEEDRy[1:0] = 10$
- Capacitive load  $C=30pF$
- Measurement points are done at CMOS levels:  $0.5 V_{DD}$

Refer to [Section 5.3.14: I/O port characteristics](#) for more details on the input/output alternate function characteristics (CK,SD,WS).

**Table 85. I2S characteristics<sup>(1)</sup>**

Symbol	Parameter	Conditions	Min	Max	Unit	
$f_{MCLK}$	I2S Main clock output	-	256x8 K	256 *Fs <sup>(2)</sup>	MHz	
$f_{CK}$	I2S clock frequency	Master data	-	64xFs	MHz	
		Slave data	-	64xFs		
$D_{CK}$	I2S clock frequency duty cycle	Slave receiver	30	70	%	
$t_{v(WS)}$	WS valid time	Master mode	-	6	ns	
$t_{h(WS)}$	WS hold time	Master mode	3	-		
		Slave mode	2	-		
$t_{su(WS)}$	WS setup time	Slave mode	4	-		
$t_{su(SD\_MR)}$	Data input setup time	Master receiver	3	-		
$t_{su(SD\_SR)}$		Slave receiver	4	-		
$t_{h(SD\_MR)}$	Data input hold time	Master receiver	4	-		
$t_{h(SD\_SR)}$		Slave receiver	2	-		
$t_{v(SD\_ST)}$	Data output valid time	Slave transmitter (after enable edge)	$2.7 V \leq V_{DD} \leq 3.6 V$	-		15
			$1.65 V \leq V_{DD} \leq 3.6 V$	-		22
$t_{v(SD\_MT)}$		Master transmitter (after enable edge)	-	3		
$t_{h(SD\_ST)}$	Data output hold time	Slave transmitter (after enable edge)	7	-		
$t_{h(SD\_MT)}$		Master transmitter (after enable edge)	1	-		

1. Guaranteed by characterization results, not tested in production.
2. 256xFs maximum is 49.152 MHz.

**Note:** Refer to the reference manual RM0440 "STM32G4 Series advanced Arm®-based 32-bit MCUs" I2S section for more details about the sampling frequency (Fs),  $f_{MCK}$ ,  $f_{CK}$ ,  $D_{CK}$  values reflect only the digital peripheral behavior, source clock precision might slightly change the values  $D_{CK}$  depends mainly on ODD bit value. Digital contribution leads to a min of  $(I2SDIV)/(2*I2SDIV+ODD)$  and a max  $(I2SDIV+ODD)/(2*I2SDIV+ODD)$  and Fs max supported for each mode/condition.



### SAI characteristics

Unless otherwise specified, the parameters given in [Table 86](#) for SAI are derived from tests performed under the ambient temperature,  $f_{PCLKx}$  frequency and  $V_{DD}$  supply voltage conditions summarized in [Table 17: General operating conditions](#), with the following configuration:

- Output speed is set to  $OSPEEDRy[1:0] = 10$
- Capacitive load  $C = 30$  pF
- Measurement points are done at CMOS levels:  $0.5 \times V_{DD}$

Refer to [Section 5.3.14: I/O port characteristics](#) for more details on the input/output alternate function characteristics (CK,SD,FS).

Table 86. SAI characteristics<sup>(1)</sup>

Symbol	Parameter	Conditions	Min	Max	Unit
$f_{MCLK}$	SAI Main clock output	-	-	50	MHz
$f_{CK}$	SAI clock frequency <sup>(2)</sup>	Master transmitter $2.7\text{ V} \leq V_{DD} \leq 3.6\text{ V}$ Voltage Range 1	-	33	MHz
		Master transmitter $1.71\text{ V} \leq V_{DD} \leq 3.6\text{ V}$ Voltage Range 1	-	22	
		Master receiver Voltage Range 1	-	22	
		Slave transmitter $2.7\text{ V} \leq V_{DD} \leq 3.6\text{ V}$ Voltage Range 1	-	45	
		Slave transmitter $1.71\text{ V} \leq V_{DD} \leq 3.6\text{ V}$ Voltage Range 1	-	29	
		Slave receiver Voltage Range 1	-	50	
		Slave transmitter Voltage Range 2	-	13	
$t_{V(FS)}$	FS valid time	Master mode $2.7\text{ V} \leq V_{DD} \leq 3.6\text{ V}$	-	15	ns
		Master mode $1.71\text{ V} \leq V_{DD} \leq 3.6\text{ V}$	-	22	
$t_{h(FS)}$	FS hold time	Master mode	10	-	ns
$t_{su(FS)}$	FS setup time	Slave mode	2	-	ns
$t_{h(FS)}$	FS hold time	Slave mode	1	-	ns
$t_{su(SD\_A\_MR)}$	Data input setup time	Master receiver	2.5	-	ns
$t_{su(SD\_B\_SR)}$		Slave receiver	1	-	
$t_{h(SD\_A\_MR)}$	Data input hold time	Master receiver	5	-	ns
$t_{h(SD\_B\_SR)}$		Slave receiver	1	-	
$t_{V(SD\_B\_ST)}$	Data output valid time	Slave transmitter (after enable edge) $2.7\text{ V} \leq V_{DD} \leq 3.6\text{ V}$	-	11	ns
		Slave transmitter (after enable edge) $1.71\text{ V} \leq V_{DD} \leq 3.6\text{ V}$	-	17	
		Slave transmitter (after enable edge) voltage range V2	-	20	
$t_{h(SD\_B\_ST)}$	Data output hold time	Slave transmitter (after enable edge)	10	-	ns

Table 86. SAI characteristics<sup>(1)</sup> (continued)

Symbol	Parameter	Conditions	Min	Max	Unit
$t_{v(SD\_A\_MT)}$	Data output valid time	Master transmitter (after enable edge) $2.7\text{ V} \leq V_{DD} \leq 3.6\text{ V}$	-	14	ns
		Master transmitter (after enable edge) $1.71\text{ V} \leq V_{DD} \leq 3.6\text{ V}$	-	21	
$t_{h(SD\_A\_MT)}$	Data output hold time	Master transmitter (after enable edge)	10	-	ns

1. Guaranteed by characterization results.
2. APB clock frequency must be at least twice SAI clock frequency.

Figure 38. SAI master timing waveforms

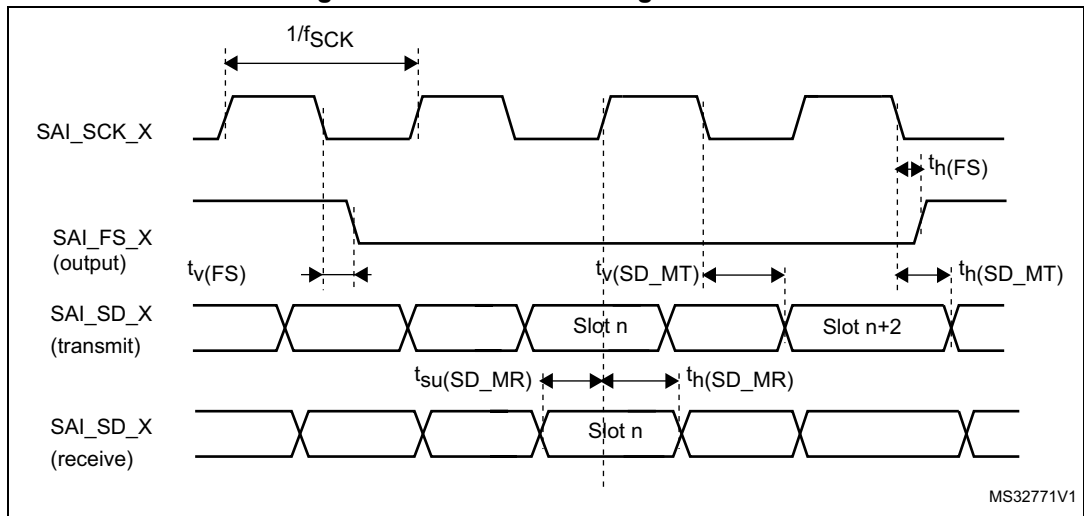
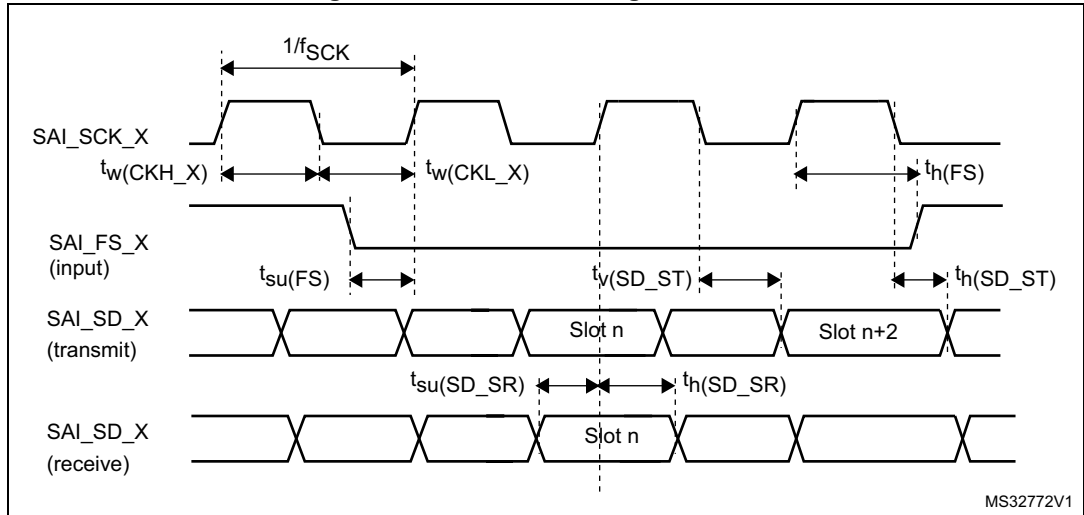


Figure 39. SAI slave timing waveforms



**CAN (controller area network) interface**

Refer to [Section 5.3.14: I/O port characteristics](#) for more details on the input/output alternate function characteristics (FDCANx\_TX and FDCANx\_RX).

### USB characteristics

The device USB interface is fully compliant with the USB specification version 2.0 and is USB-IF certified (for Full-speed device operation).

**Table 87. USB electrical characteristics<sup>(1)</sup>**

Symbol	Parameter	Conditions	Min	Typ	Max	Unit
V <sub>DD</sub>	USB transceiver operating voltage		3.0 <sup>(2)</sup>	-	3.6	V
t <sub>Crystal_less</sub>	USB crystal less operation temperature		-15	-	85	°C
R <sub>PUI</sub>	Embedded USB_DP pull-up value during idle		900	1250	1500	Ω
R <sub>PUR</sub>	Embedded USB_PD pull-up value during reception		1400	2300	3200	
Z <sub>sDRV</sub> <sup>(3)</sup>	Output driver impedance <sup>(4)</sup>	Driving high and low	28	36	44	Ω

- TA = -40 to 125 °C unless otherwise specified.
- The device USB functionality is ensured down to 2.7 V but not the full USB electrical characteristics, which are degraded in the 2.7-to-3.0 V voltage range.
- Guarantee by design.
- No external termination series resistors are required on USB\_PD (D+) and USB\_DM (D-); the matching impedance is already included in the embedded driver.

### USART interface characteristics

Unless otherwise specified, the parameters given in [Table 88](#) for USART are derived from tests performed under the ambient temperature, f<sub>PCLKx</sub> frequency and V<sub>DD</sub> supply voltage conditions summarized in [Table 88](#), with the following configuration:

- Output speed is set to OSPEEDRy[1:0] = 10
- Capacitive load C=30 pF
- Measurement points are done at CMOS levels: 0.5 V<sub>DD</sub>

Refer to [Section 5.3.14: I/O port characteristics](#) for more details on the input/output alternate function characteristics (NSS, CK, TX, RX for USART).

**Table 88. USART electrical characteristics<sup>(1)</sup>**

Symbol	Parameter	Conditions	Min	Typ	Max	Unit
f <sub>CK</sub>	USART clock frequency	Master mode	-	-	21	MHz
		Slave mode	-	-	22	
t <sub>su</sub> (NSS)	NSS setup time	Slave mode	t <sub>ker</sub> + 2	-	-	ns
t <sub>h</sub> (NSS)	NSS hold time	Slave mode	2	-	-	
t <sub>w</sub> (CKH) t <sub>w</sub> (CKL)	CK high and low time	Master mode	1/f <sub>ck</sub> /2-1	1/f <sub>ck</sub> /2	1/f <sub>ck</sub> /2+1	ns
t <sub>su</sub> (RX)	Data input setup time	Master mode	t <sub>ker</sub> + 2	-	-	ns
		Slave mode	2	-	-	
t <sub>h</sub> (RX)	Data input hold time	Master mode	1	-	-	
		Slave mode	0.5	-	-	

**Table 88. USART electrical characteristics<sup>(1)</sup> (continued)**

Symbol	Parameter	Conditions	Min	Typ	Max	Unit
t <sub>v</sub> (TX)	Data output valid time	Master mode	-	0.5	1.5	ns
		Slave mode	-	10	22	
t <sub>h</sub> (RX)	Data output hold time	Master mode	0	-	-	
		Slave mode	7	-	-	

1. Based on characterization, not tested in production.

### 5.3.27 FSMC characteristics

Unless otherwise specified, the parameters given in [Table 89](#) to [Table 102](#) for the FMC interface are derived from tests performed under the ambient temperature, f<sub>HCLK</sub> frequency and V<sub>DD</sub> supply voltage conditions summarized in [Table 17](#), with the following configuration:

- Output speed is set to OSPEEDRy[1:0] = 11
- Capacitive load C = 30 pF
- Measurement points are done at CMOS levels: 0.5 x V<sub>DD</sub>

Refer to [Section 5.3.14: I/O port characteristics](#) for more details on the input/output characteristics.

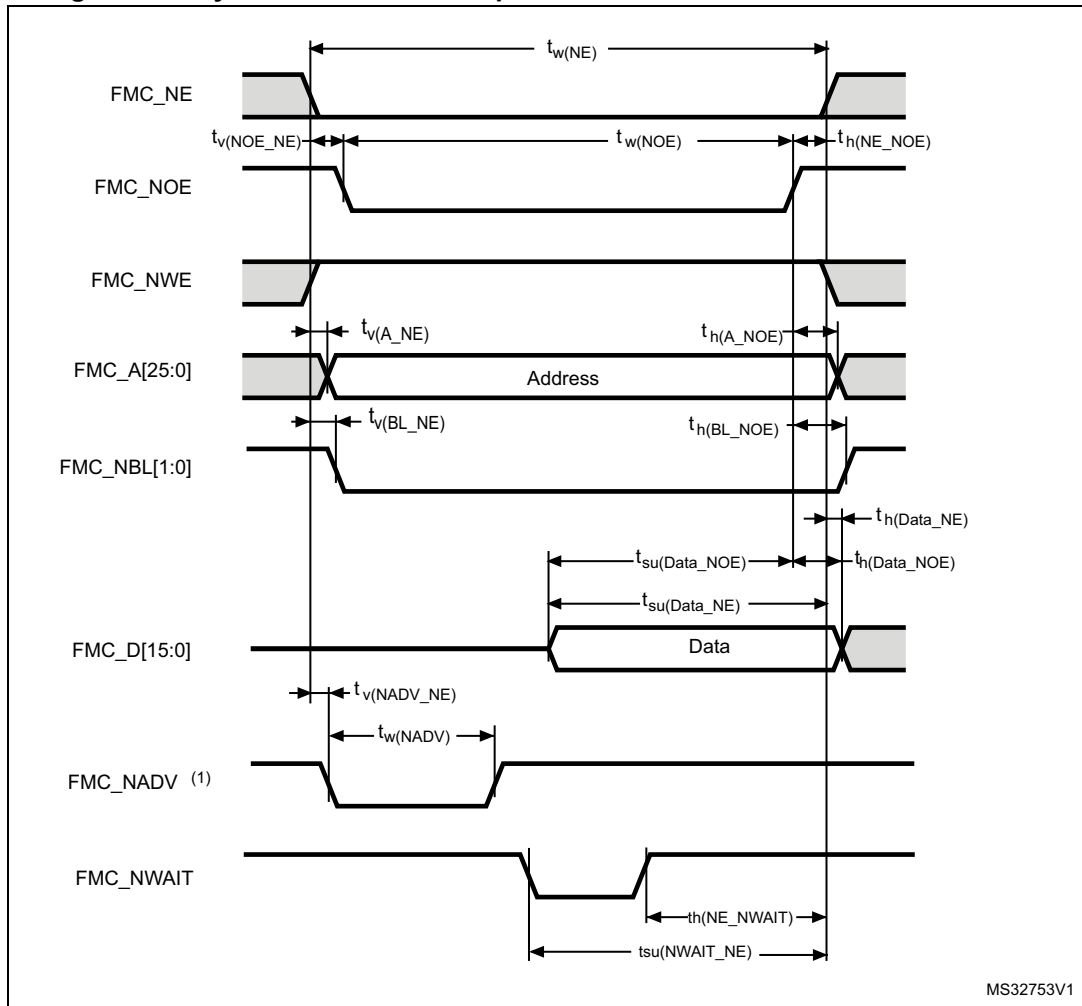
#### Asynchronous waveforms and timings

[Figure 40](#) through [Figure 43](#) represent asynchronous waveforms and [Table 89](#) through [Table 96](#) provide the corresponding timings. The results shown in these tables are obtained with the following FMC configuration:

- AddressSetupTime = 0x1
- AddressHoldTime = 0x1
- DataHoldTime = 0x1
- ByteLaneSetup = 0x1
- DataSetupTime = 0x1 (except for asynchronous NWAIT mode, DataSetupTime = 0x5)
- BusTurnAroundDuration = 0x0

In all timing tables, the THCLK is the HCLK clock period.

Figure 40. Asynchronous non-multiplexed SRAM/PSRAM/NOR read waveforms





**Table 89. Asynchronous non-multiplexed SRAM/PSRAM/NOR read timings<sup>(1)(2)</sup>**

Symbol	Parameter	Min	Max	Unit
$t_{w(NE)}$	FMC_NE low time	$3 T_{HCLK} - 0.5$	$3 T_{HCLK} + 1$	ns
$t_{v(NO\bar{E}_NE)}$	FMC_NEx low to FMC_NOE low	0	1	
$t_{w(NO\bar{E})}$	FMC_NOE low time	$2 T_{HCLK} - 0.5$	$2 T_{HCLK} + 1$	
$t_{h(NE\_NO\bar{E})}$	FMC_NOE high to FMC_NE high hold time	$T_{HCLK}$	-	
$t_{v(A\_NE)}$	FMC_NEx low to FMC_A valid	-	2	
$t_{h(A\_NO\bar{E})}$	Address hold time after FMC_NOE high	$2 T_{HCLK} - 1$	-	
$t_{su(Data\_NE)}$	Data to FMC_NEx high setup time	$T_{HCLK} + 20$	-	
$t_{su(Data\_NO\bar{E})}$	Data to FMC_NOEx high setup time	20	-	
$t_{h(Data\_NO\bar{E})}$	Data hold time after FMC_NOE high	0	-	
$t_{h(Data\_NE)}$	Data hold time after FMC_NEx high	0	-	
$t_{v(NADV\_NE)}$	FMC_NEx low to FMC_NADV low	-	1.5	
$t_{w(NADV)}$	FMC_NADV low time	-	$T_{HCLK} + 8$	

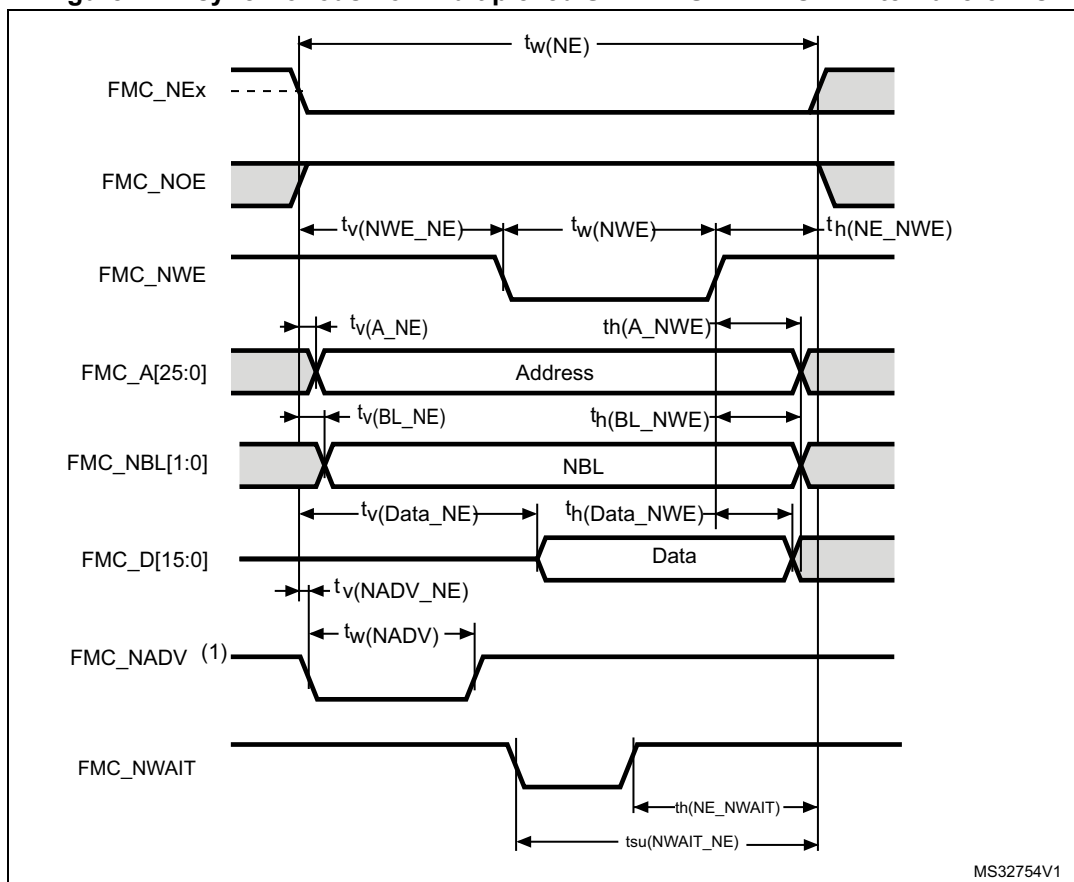
1. CL = 30 pF.
2. Guaranteed by characterization results.

**Table 90. Asynchronous non-multiplexed SRAM/PSRAM/NOR read-NWAIT timings<sup>(1)(2)</sup>**

Symbol	Parameter	Min	Max	Unit
$t_{w(NE)}$	FMC_NE low time	-	$8 T_{HCLK} + 1$	ns
$t_{w(NO\bar{E})}$	FMC_NWE low time	$7 T_{HCLK} - 1$	$7 T_{HCLK} + 0.5$	
$t_{w(NWAIT)}$	FMC_NWAIT low time	$T_{HCLK}$	-	
$t_{su(NWAIT\_NE)}$	FMC_NWAIT valid before FMC_NEx high	$5 T_{HCLK} + 17$	-	
$t_{h(NE\_NWAIT)}$	FMC_NEx hold time after FMC_NWAIT invalid	$4 T_{HCLK} + 17$	-	

1. CL = 30 pF.
2. Guaranteed by characterization results.

Figure 41. Asynchronous non-multiplexed SRAM/PSRAM/NOR write waveforms



MS32754V1

Table 91. Asynchronous non-multiplexed SRAM/PSRAM/NOR write timings<sup>(1)(2)</sup>

Symbol	Parameter	Min	Max	Unit
$t_{w(NE)}$	FMC_NE low time	$3 T_{HCLK} - 0.5$	$3 T_{HCLK} + 1$	ns
$t_{v(NWE\_NE)}$	FMC_NEx low to FMC_NWE low	$T_{HCLK} - 0.5$	$T_{HCLK} + 1$	
$t_{w(NWE)}$	FMC_NWE low time	$T_{HCLK} - 2$	$T_{HCLK} + 1$	
$t_{h(NE\_NWE)}$	FMC_NWE high to FMC_NE high hold time	$T_{HCLK} - 0.5$	-	
$t_{v(A\_NE)}$	FMC_NEx low to FMC_A valid	-	0	
$t_{h(A\_NWE)}$	Address hold time after FMC_NWE high	$T_{HCLK} - 1$	-	
$t_{v(BL\_NE)}$	FMC_NEx low to FMC_BL valid	-	0	
$t_{h(BL\_NWE)}$	FMC_BL hold time after FMC_NWE high	$T_{HCLK} + 0.5$	-	
$t_{v(Data\_NE)}$	Data to FMC_NEx low to Data valid	-	$T_{HCLK} + 2$	
$t_{h(Data\_NWE)}$	Data hold time after FMC_NWE high	$T_{HCLK} + 6$	-	
$t_{v(NADV\_NE)}$	FMC_NEx low to FMC_NADV low	-	1.5	
$t_{w(NADV)}$	FMC_NADV low time	-	$T_{HCLK} + 0.5$	

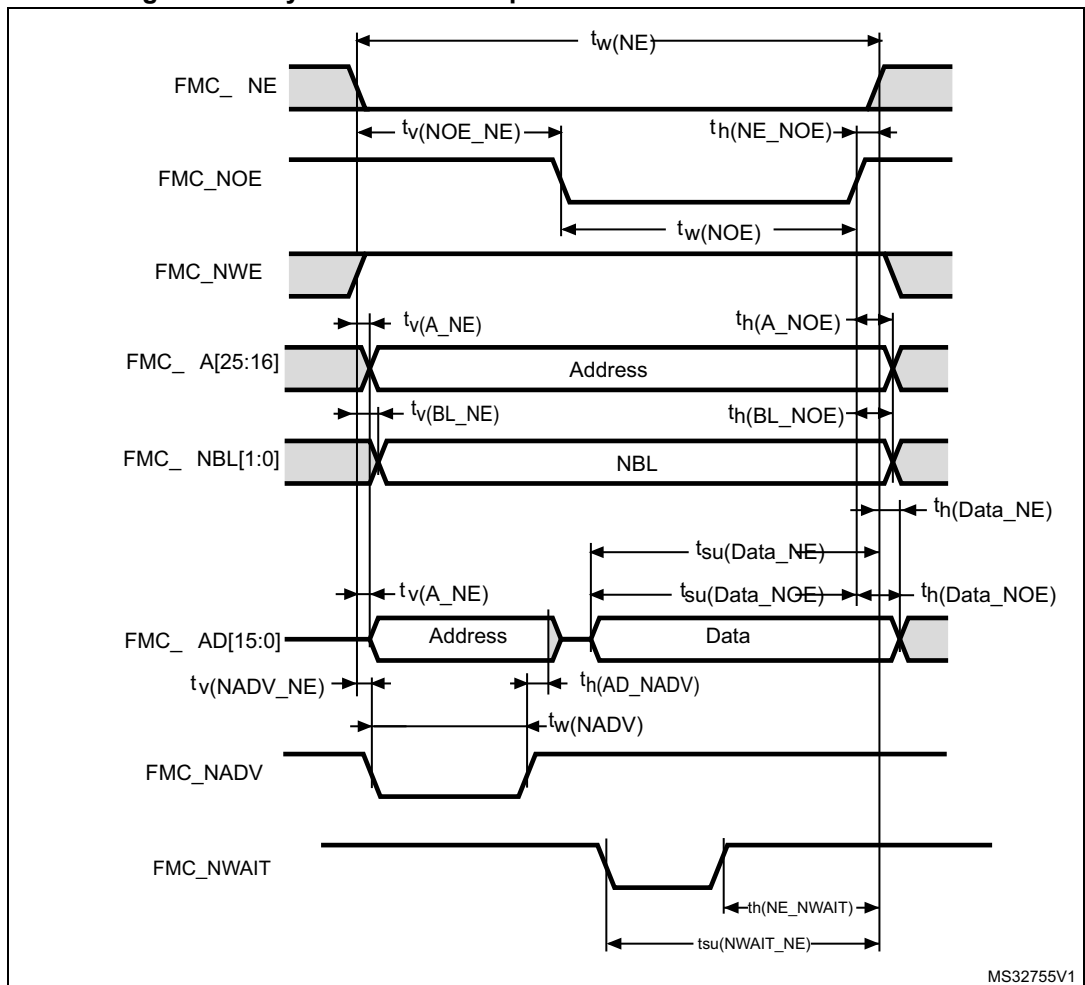
1. CL = 30 pF.
2. Guaranteed by characterization results.

**Table 92. Asynchronous non-multiplexed SRAM/PSRAM/NOR write-NWAIT timings<sup>(1)(2)</sup>**

Symbol	Parameter	Min	Max	Unit
$t_{w(NE)}$	FMC_NE low time	$9 T_{HCLK} - 1$	$9 T_{HCLK} + 1$	ns
$t_{w(NWE)}$	FMC_NWE low time	$6 T_{HCLK} - 1$	$6 T_{HCLK} + 1$	
$t_{su(NWAIT\_NE)}$	FMC_NWAIT valid before FMC_NEx high	$7 T_{HCLK} + 17$	-	
$t_h(NE\_NWAIT)$	FMC_NEx hold time after FMC_NWAIT invalid	$7 T_{HCLK} + 17$	-	

1. CL = 30 pF.
2. Guaranteed by characterization results.

**Figure 42. Asynchronous multiplexed PSRAM/NOR read waveforms**



**Table 93. Asynchronous multiplexed PSRAM/NOR read timings<sup>(1)(2)</sup>**

Symbol	Parameter	Min	Max	Unit
$t_{w(NE)}$	FMC_NE low time	$3 T_{HCLK} - 0.5$	$3 T_{HCLK} + 1$	ns
$t_{v(NOENOE)}$	FMC_NEx low to FMC_NOE low	0	1	
$t_{w(NOE)}$	FMC_NOE low time	$2 T_{HCLK} - 0.5$	$2 T_{HCLK} + 0.5$	
$t_{h(NE_NOE)}$	FMC_NOE high to FMC_NE high hold time	$T_{HCLK}$	-	
$t_{v(A_NE)}$	FMC_NEx low to FMC_A valid	-	2	
$t_{v(NADV_NE)}$	FMC_NEx low to FMC_NADV low	0.5	1.5	
$t_{w(NADV)}$	FMC_NADV low time	$T_{HCLK}$	$T_{HCLK} + 1.5$	
$t_{h(AD_NADV)}$	FMC_AD(address) valid hold time after FMC_NADV high	$T_{HCLK} - 0.3$	-	
$t_{h(A_NOE)}$	Address hold time after FMC_NOE high	Address hold until next read operation	-	
$t_{su(Data_NE)}$	Data to FMC_NEx high setup time	$T_{HCLK} + 20$	-	
$t_{su(Data_NOE)}$	Data to FMC_NOE high setup time	20	-	
$t_{h(Data_NE)}$	Data hold time after FMC_NEx high	0	-	
$t_{h(Data_NOE)}$	Data hold time after FMC_NOE high	0	-	

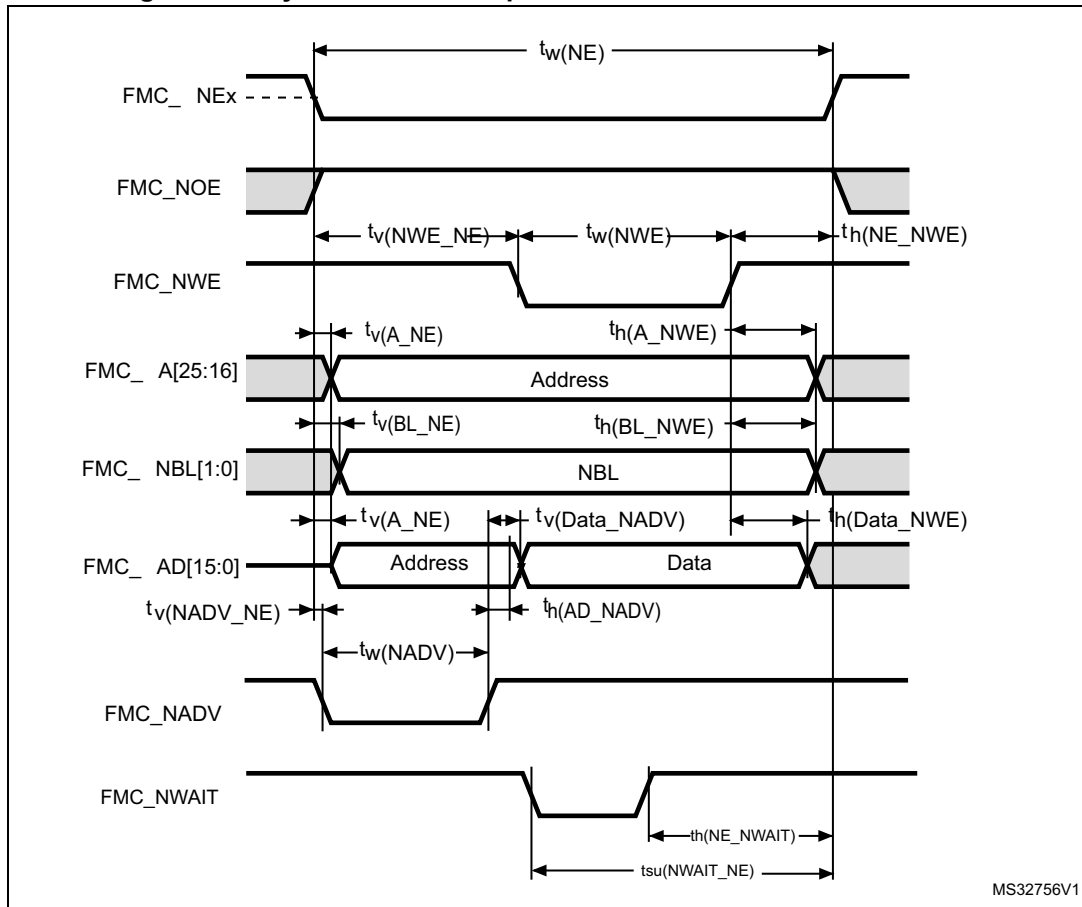
1. CL = 30 pF.
2. Guaranteed by characterization results.

**Table 94. Asynchronous multiplexed PSRAM/NOR read-NWAIT timings<sup>(1)(2)</sup>**

Symbol	Parameter	Min	Max	Unit
$t_{w(NE)}$	FMC_NE low time	$8 T_{HCLK} - 1$	$8 T_{HCLK} + 1$	ns
$t_{w(NOE)}$	FMC_NWE low time	$7 T_{HCLK} - 1$	$7 T_{HCLK} + 0.5$	
$t_{su(NWAIT_NE)}$	FMC_NWAIT valid before FMC_NEx high	$5 T_{HCLK} + 17$	-	
$t_{h(NE_NWAIT)}$	FMC_NEx hold time after FMC_NWAIT invalid	$4 T_{HCLK} + 17$	-	

1. CL = 30 pF.
2. Guaranteed by characterization results.

Figure 43. Asynchronous multiplexed PSRAM/NOR write waveforms



**Table 95. Asynchronous multiplexed PSRAM/NOR write timings<sup>(1)(2)</sup>**

Symbol	Parameter	Min	Max	Unit
$t_{w(NE)}$	FMC_NE low time	$3 T_{HCLK} - 0.5$	$3 T_{HCLK} + 1$	ns
$t_{v(NWE\_NE)}$	FMC_NEx low to FMC_NWE low	$T_{HCLK} - 0.5$	$T_{HCLK} + 1$	
$t_{w(NWE)}$	FMC_NWE low time	$T_{HCLK} - 2$	$T_{HCLK} + 1$	
$t_{h(NE\_NWE)}$	FMC_NWE high to FMC_NE high hold time	$T_{HCLK} - 0.5$	-	
$t_{v(A\_NE)}$	FMC_NEx low to FMC_A valid	-	0	
$t_{v(NADV\_NE)}$	FMC_NEx low to FMC_NADV low	0	1.5	
$t_{w(NADV)}$	FMC_NADV low time	$T_{HCLK} + 0.5$	$T_{HCLK} + 1.5$	
$t_{h(AD\_NADV)}$	FMC_AD(address) valid hold time after FMC_NADV high	$T_{HCLK} - 3$	-	
$t_{h(A\_NWE)}$	Address hold time after FMC_NWE high	Address hold until next write operation	-	
$t_{h(BL\_NWE)}$	FMC_BL hold time after FMC_NWE high	$T_{HCLK} - 0.5$	-	
$t_{v(BL\_NE)}$	FMC_NEx low to FMC_BL valid	-	0	
$t_{v(Data\_NADV)}$	FMC_NADV high to Data valid	-	$T_{HCLK} + 2$	
$t_{h(Data\_NWE)}$	Data hold time after FMC_NWE high	$T_{HCLK} + 6$	-	

1. CL = 30 pF.
2. Guaranteed by characterization results.

**Table 96. Asynchronous multiplexed PSRAM/NOR write-NWAIT timings<sup>(1)(2)</sup>**

Symbol	Parameter	Min	Max	Unit
$t_{w(NE)}$	FMC_NE low time	$9 T_{HCLK} - 1$	$9 T_{HCLK} + 1$	ns
$t_{w(NWE)}$	FMC_NWE low time	$6 T_{HCLK} - 1$	$6 T_{HCLK} + 0.5$	
$t_{su(NWAIT\_NE)}$	FMC_NWAIT valid before FMC_NEx high	$7 T_{HCLK} + 17$	-	
$t_{h(NE\_NWAIT)}$	FMC_NEx hold time after FMC_NWAIT invalid	$5 T_{HCLK} + 17$	-	

1. CL = 30 pF.
2. Guaranteed by characterization results.

**Synchronous waveforms and timings**

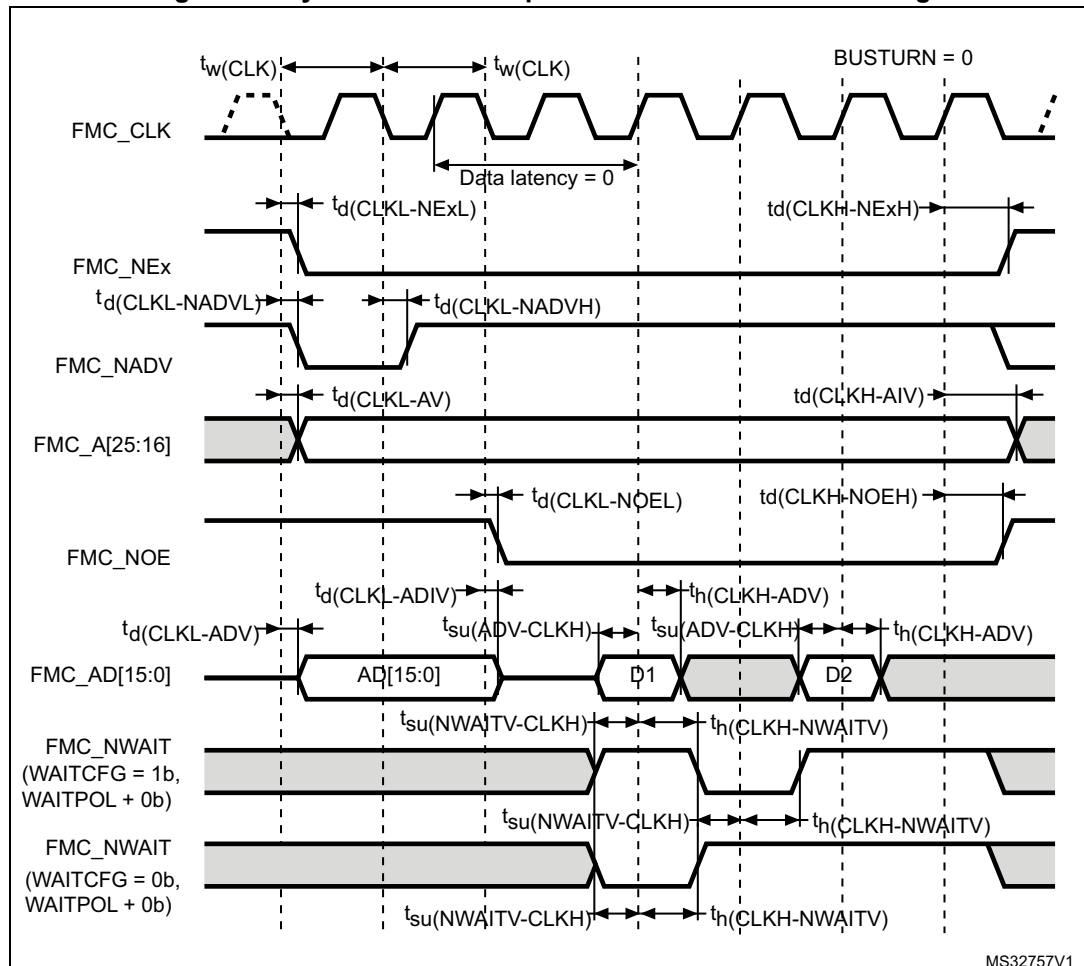
Figure 44 through Figure 47 represent synchronous waveforms and Table 97 through Table 100 provide the corresponding timings. The results shown in these tables are obtained with the following FMC configuration:

- BurstAccessMode = FMC\_BurstAccessMode\_Enable
- MemoryType = FMC\_MemoryType\_CRAM
- WriteBurst = FMC\_WriteBurst\_Enable
- CLKDivision = 1
- DataLatency = 1 for NOR Flash; DataLatency = 0 for PSRAM

In all timing tables, the  $T_{HCLK}$  is the HCLK clock period.

- For  $2.7\text{ V} \leq V_{DD} \leq 3.6\text{ V}$ , maximum FMC\_CLK = 60 MHz for CLKDIV = 0x1 and 54 MHz for CLKDIV = 0x0 at CL = 30 pF (on FMC\_CLK).
- For  $1.71\text{ V} \leq V_{DD} \leq 2.7\text{ V}$ , maximum FMC\_CLK = 60 MHz for CLKDIV = 0x1 and 32 MHz for CLKDIV = 0x0 at CL = 20 pF (on FMC\_CLK).

**Figure 44. Synchronous multiplexed NOR/PSRAM read timings**



MS32757V1

**Table 97. Synchronous multiplexed NOR/PSRAM read timings<sup>(1)(2)(3)</sup>**

Symbol	Parameter	Min	Max	Unit
$t_{w(CLK)}$	FMC_CLK period	$R \cdot T_{HCLK} - 0.5$	-	ns
$t_{d(CLKL-NExL)}$	FMC_CLK low to FMC_NEx low (x=0..2)	-	1.5	
$t_{d(CLKH-NExH)}$	FMC_CLK high to FMC_NEx high (x= 0...2)	$R \cdot T_{HCLK} / 2 + 1$	-	
$t_{d(CLKL-NADV_L)}$	FMC_CLK low to FMC_NADV low	-	2.5	
$t_{d(CLKL-NADV_H)}$	FMC_CLK low to FMC_NADV high	3.5	-	
$t_{d(CLKL-AV)}$	FMC_CLK low to FMC_Ax valid (x=16...25)	-	4	
$t_{d(CLKH-AIV)}$	FMC_CLK high to FMC_Ax invalid (x=16...25)	$R \cdot T_{HCLK} / 2 + 1$	-	
$t_{d(CLKL-NOEL)}$	FMC_CLK low to FMC_NOE low	-	2	
$t_{d(CLKH-NOEH)}$	FMC_CLK high to FMC_NOE high	$R \cdot T_{HCLK} / 2 + 1$	-	
$t_{d(CLKL-ADV)}$	FMC_CLK low to FMC_AD[15:0] valid	-	3	
$t_{d(CLKL-ADIV)}$	FMC_CLK low to FMC_AD[15:0] invalid	0	-	
$t_{su(ADV-CLKH)}$	FMC_A/D[15:0] valid data before FMC_CLK high	2	-	
$t_h(CLKH-ADV)$	FMC_A/D[15:0] valid data after FMC_CLK high	4	-	
$t_{su(NWAIT-CLKH)}$	FMC_NWAIT valid before FMC_CLK high	1.5	-	
$t_h(CLKH-NWAIT)$	FMC_NWAIT valid after FMC_CLK high	4	-	

1. CL = 30 pF.
2. Guaranteed by characterization results.
3. Clock ratio R = (HCLK period / FMC\_CLK period).



Figure 45. Synchronous multiplexed PSRAM write timings

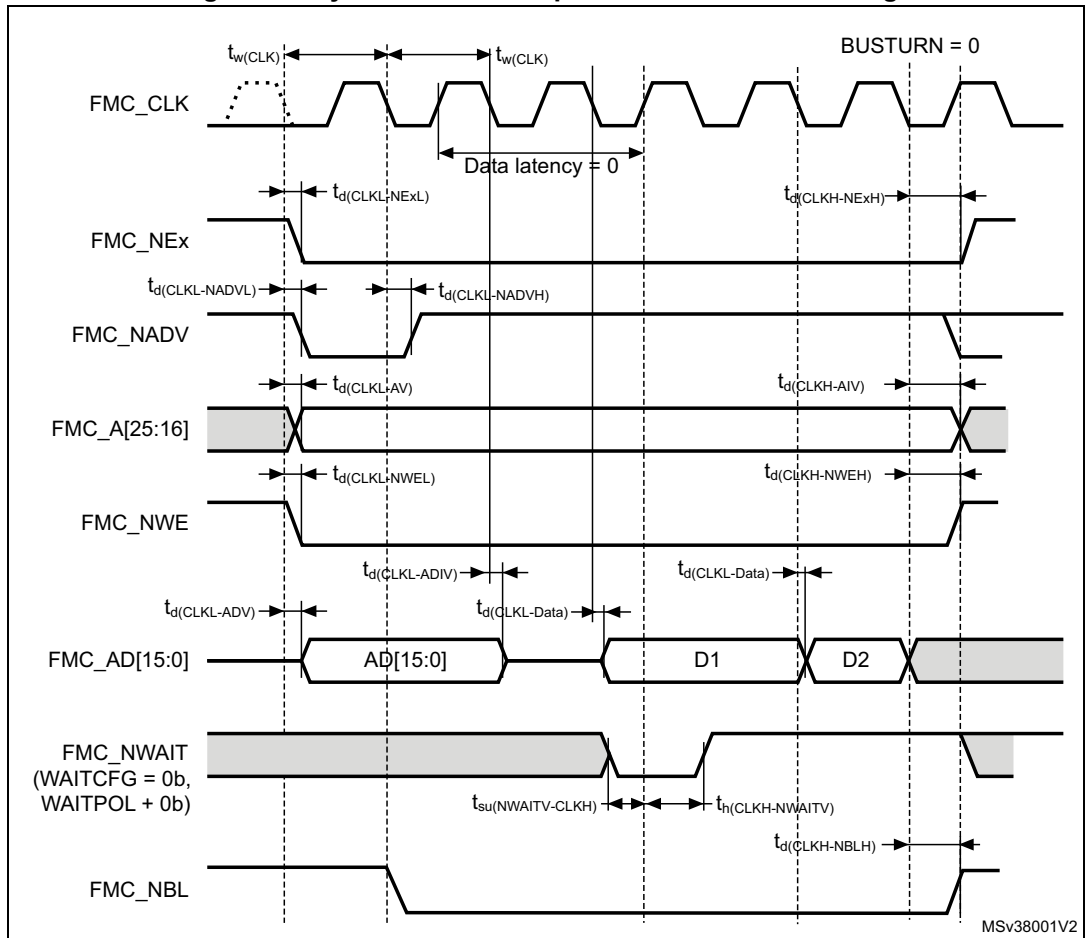
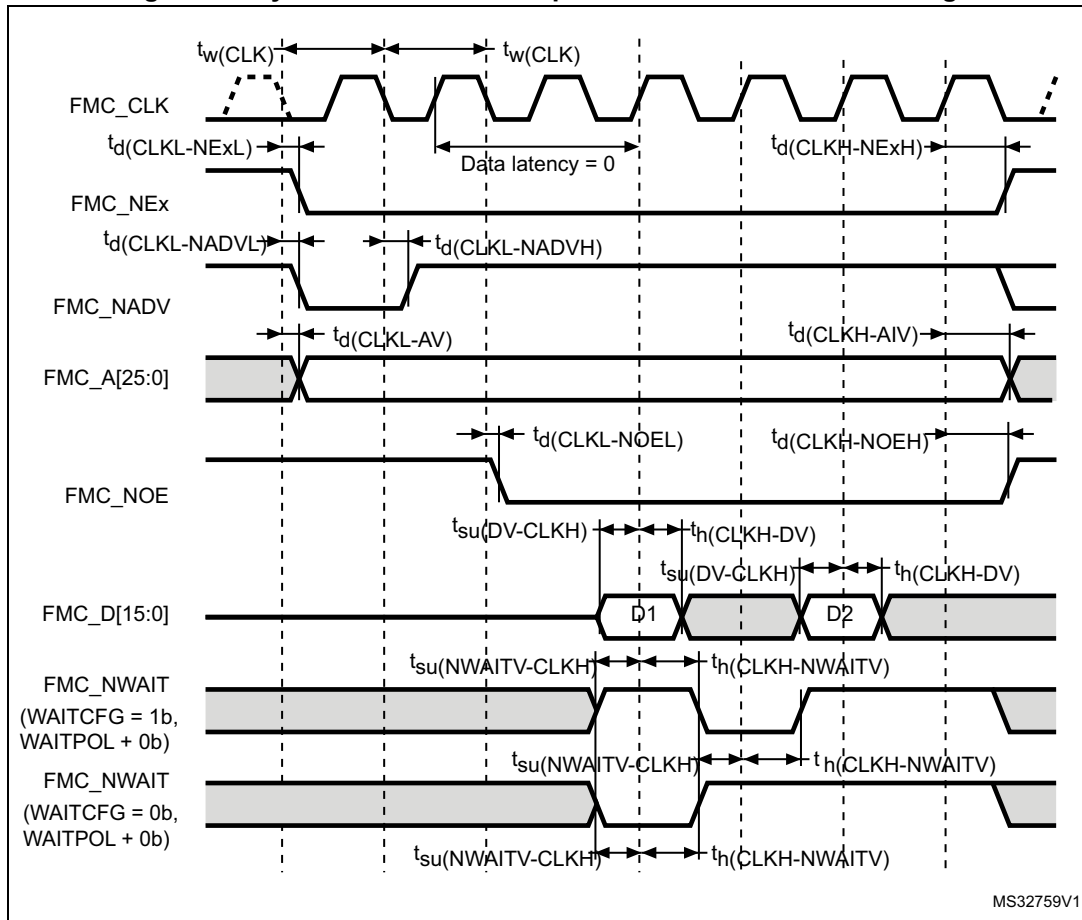


Table 98. Synchronous multiplexed PSRAM write timings<sup>(1)(2)(3)</sup>

Symbol	Parameter	Min	Max	Unit
$t_{w(\text{CLK})}$	FMC_CLK period	$R \cdot T_{\text{HCLK}} - 0.5$	-	ns
$t_{d(\text{CLKL-NE}x\text{L})}$	FMC_CLK low to FMC_NEx low ( $x=0..2$ )	-	1.5	
$t_{d(\text{CLKH-NE}x\text{H})}$	FMC_CLK high to FMC_NEx high ( $x=0..2$ )	$R \cdot T_{\text{HCLK}}/2 + 1$	-	
$t_{d(\text{CLKL-NADV}x)}$	FMC_CLK low to FMC_NADV low	-	2.5	
$t_{d(\text{CLKL-NADV}x\text{H})}$	FMC_CLK low to FMC_NADV high	3.5	-	
$t_{d(\text{CLKL-A}x)}$	FMC_CLK low to FMC_Ax valid ( $x=16..25$ )	-	4	
$t_{d(\text{CLKH-A}x)}$	FMC_CLK high to FMC_Ax invalid ( $x=16..25$ )	$R \cdot T_{\text{HCLK}}/2 + 1$	-	
$t_{d(\text{CLKL-NWE}x)}$	FMC_CLK low to FMC_NWE low	-	2	
$t_{d(\text{CLKH-NWE}x)}$	FMC_CLK high to FMC_NWE high	$R \cdot T_{\text{HCLK}}/2 + 1$	-	
$t_{d(\text{CLKL-ADV}x)}$	FMC_CLK low to FMC_AD[15:0] valid	-	3	
$t_{d(\text{CLKL-ADIV}x)}$	FMC_CLK low to FMC_AD[15:0] invalid	0	-	
$t_{d(\text{CLKL-DATA}x)}$	FMC_A/D[15:0] valid data after FMC_CLK low	-	3	
$t_{d(\text{CLKL-NBL}x)}$	FMC_CLK low to FMC_NBL low	1	-	
$t_{d(\text{CLKH-NBL}x)}$	FMC_CLK high to FMC_NBL high	$R \cdot T_{\text{HCLK}}/2 + 1.5$	-	
$t_{su(\text{NWAIT-CLKH})}$	FMC_NWAIT valid before FMC_CLK high	1.5	-	
$t_h(\text{CLKH-NWAIT})$	FMC_NWAIT valid after FMC_CLK high	4	-	

1. CL = 30 pF.
2. Guaranteed by characterization results.
3. Clock ratio R = (HCLK period / FMC\_CLK period).

Figure 46. Synchronous non-multiplexed NOR/PSRAM read timings



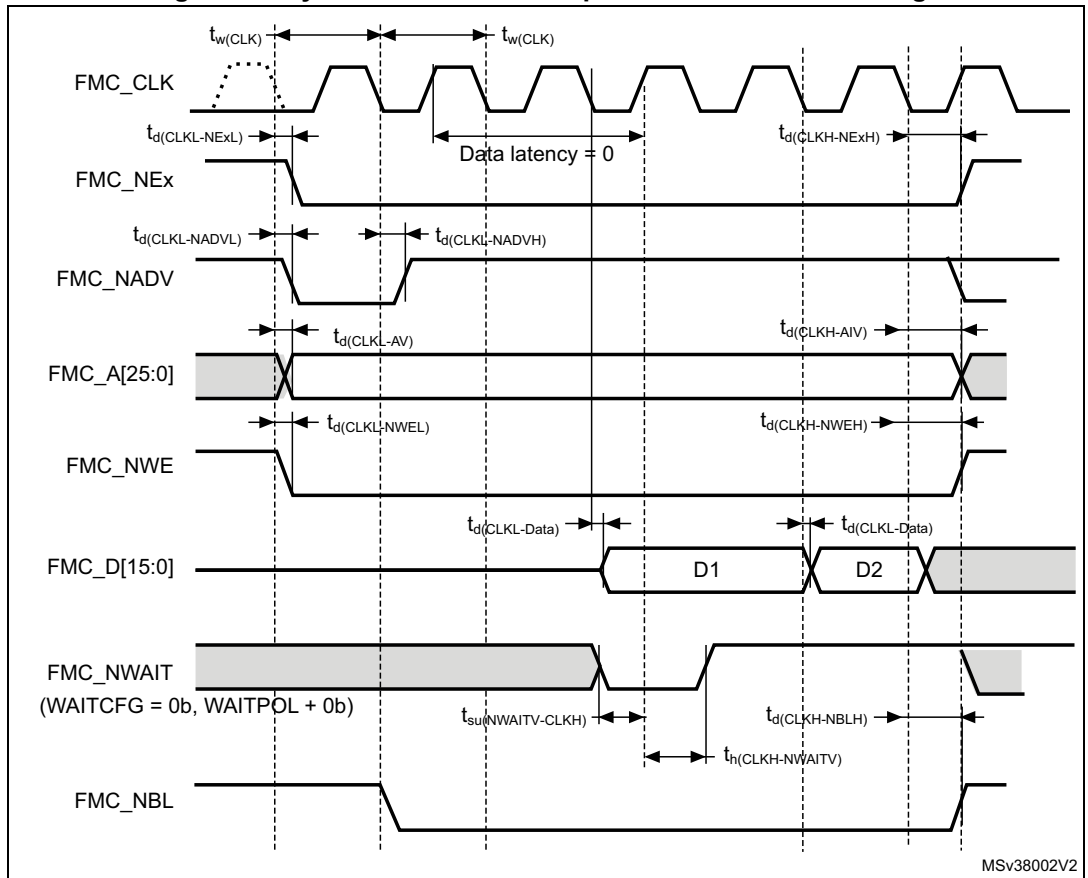
MS32759V1

Table 99. Synchronous non-multiplexed NOR/PSRAM read timings<sup>(1)(2)(3)</sup>

Symbol	Parameter	Min	Max	Unit
$t_{w(CLK)}$	FMC_CLK period	$R \cdot T_{HCLK} - 0.5$	-	ns
$t_{d(CLKL-NExL)}$	FMC_CLK low to FMC_NEx low (x=0..2)	-	1.5	
$t_{d(CLKH-NExH)}$	FMC_CLK high to FMC_NEx high (x= 0...2)	$R \cdot T_{HCLK}/2 + 1$	-	
$t_{d(CLKL-NADVl)}$	FMC_CLK low to FMC_NADV low	-	2.5	
$t_{d(CLKL-NADVh)}$	FMC_CLK low to FMC_NADV high	3.5	-	
$t_{d(CLKL-AV)}$	FMC_CLK low to FMC_Ax valid (x=16...25)	-	4	
$t_{d(CLKH-AIV)}$	FMC_CLK high to FMC_Ax invalid (x=16...25)	$R \cdot T_{HCLK}/2 + 1$	-	
$t_{d(CLKL-NOEL)}$	FMC_CLK low to FMC_NOE low	-	2	
$t_{d(CLKH-NOEH)}$	FMC_CLK high to FMC_NOE high	$R \cdot T_{HCLK}/2 + 1$	-	
$t_{su(DV-CLKH)}$	FMC_D[15:0] valid data before FMC_CLK high	2	-	
$t_{h(CLKH-DV)}$	FMC_D[15:0] valid data after FMC_CLK high	4	-	
$t_{su(NWAITV-CLKH)}$	FMC_NWAIT valid before FMC_CLK high	1.5	-	ns
$t_{h(CLKH-NWAIT)}$	FMC_NWAIT valid after FMC_CLK high	4	-	

1. CL = 30 pF.
2. Guaranteed by characterization results.
3. Clock ratio R = (HCLK period /FMC\_CLK period).

**Figure 47. Synchronous non-multiplexed PSRAM write timings**



**Table 100. Synchronous non-multiplexed PSRAM write timings<sup>(1)(2)(3)</sup>**

Symbol	Parameter	Min	Max	Unit
$t_{w(CLK)}$	FMC_CLK period	$R \cdot T_{HCLK} - 0.5$	-	ns
$t_{d(CLKL-NExL)}$	FMC_CLK low to FMC_NEx low (x=0..2)	-	1.5	
$t_{d(CLKH-NExH)}$	FMC_CLK high to FMC_NEx high (x= 0...2)	$R \cdot T_{HCLK} / 2 + 1$	-	
$t_{d(CLKL-NADVl)}$	FMC_CLK low to FMC_NADV low	-	2.5	
$t_{d(CLKL-NADVh)}$	FMC_CLK low to FMC_NADV high	3.5	-	
$t_{d(CLKL-AV)}$	FMC_CLK low to FMC_Ax valid (x=16...25)	-	4	
$t_{d(CLKH-AIV)}$	FMC_CLK high to FMC_Ax invalid (x=16...25)	$R \cdot T_{HCLK} / 2 + 1$	-	
$t_{d(CLKL-NWEL)}$	FMC_CLK low to FMC_NWE low	-	2	
$t_{d(CLKH-NWEH)}$	FMC_CLK high to FMC_NWE high	$R \cdot T_{HCLK} / 2 + 1$	-	
$t_{d(CLKL-Data)}$	FMC_D[15:0] valid data after FMC_CLK low	-	3	
$t_{d(CLKL-NBLL)}$	FMC_CLK low to FMC_NBL low	1	-	
$t_{d(CLKH-NBLH)}$	FMC_CLK high to FMC_NBL high	$R \cdot T_{HCLK} / 2 + 1.5$	-	
$t_{su(NWAIT-CLKH)}$	FMC_NWAIT valid before FMC_CLK high	1.5	-	
$t_h(CLKH-NWAIT)$	FMC_NWAIT valid after FMC_CLK high	4	-	

1. CL = 30 pF.
2. Guaranteed by characterization results.
3. Clock ratio R = (HCLK period / FMC\_CLK period).

**NAND controller waveforms and timings**

Figure 48 through Figure 51 represent synchronous waveforms, and Table 101 and Table 102 provide the corresponding timings. The results shown in these tables are obtained with the following FMC configuration:

- COM.FMC\_SetupTime = 0x01
- COM.FMC\_WaitSetupTime = 0x03
- COM.FMC\_HoldSetupTime = 0x02
- COM.FMC\_HiZSetupTime = 0x01
- ATT.FMC\_SetupTime = 0x01
- ATT.FMC\_WaitSetupTime = 0x03
- ATT.FMC\_HoldSetupTime = 0x02
- ATT.FMC\_HiZSetupTime = 0x01
- Bank = FMC\_Bank\_NAND
- MemoryDataWidth = FMC\_MemoryDataWidth\_16b
- ECC = FMC\_ECC\_Enable
- ECCPageSize = FMC\_ECCPageSize\_512Bytes
- TCLRSetupTime = 0
- TARSetupTime = 0

In all timing tables, the  $T_{HCLK}$  is the HCLK clock period.

Figure 48. NAND controller waveforms for read access

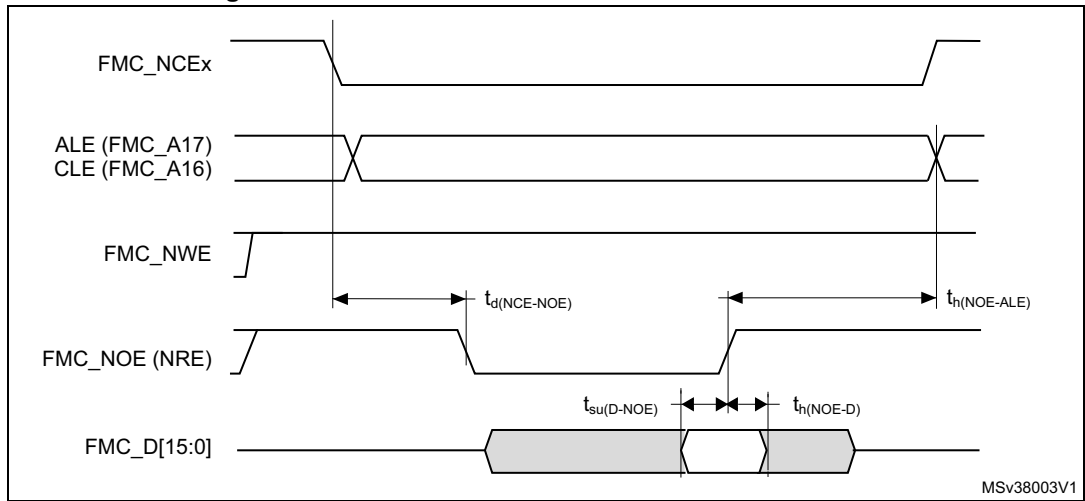


Figure 49. NAND controller waveforms for write access

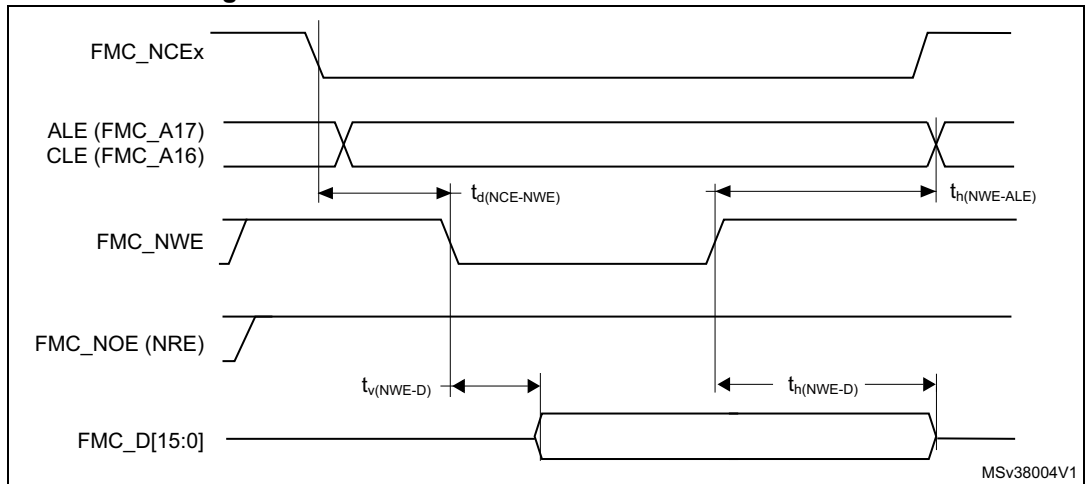


Figure 50. NAND controller waveforms for common memory read access

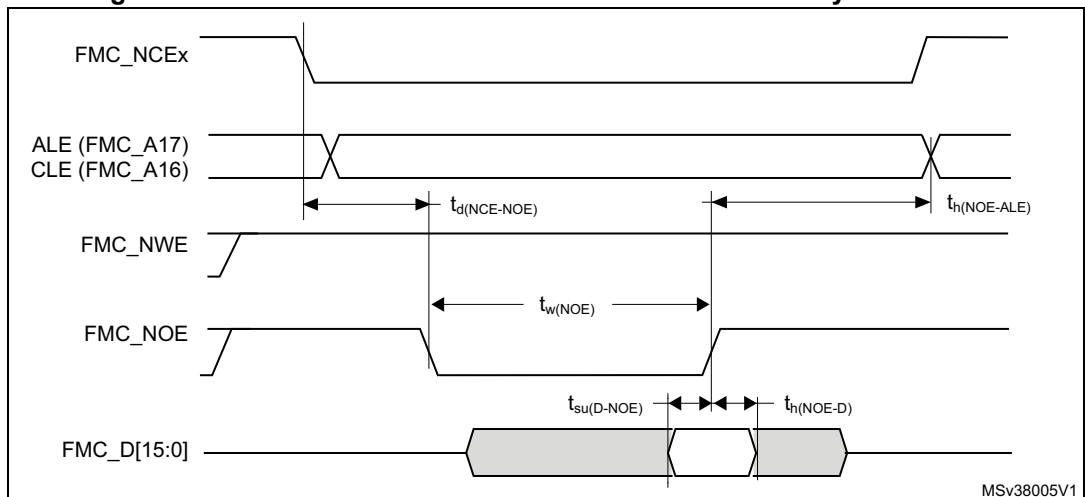


Figure 51. NAND controller waveforms for common memory write access

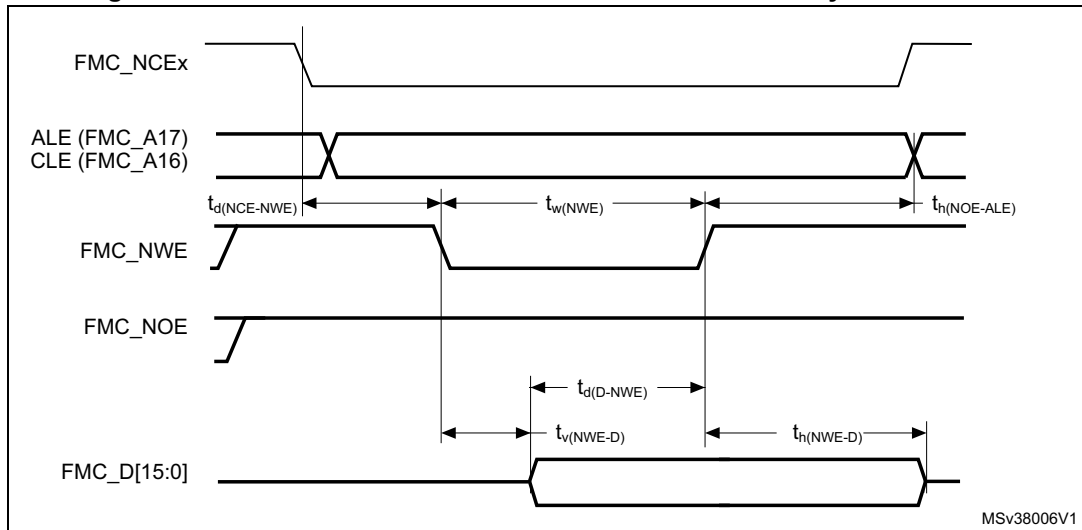


Table 101. Switching characteristics for NAND Flash read cycles<sup>(1)(2)</sup>

Symbol	Parameter	Min	Max	Unit
$T_{w(NOE)}$	FMC_NOE low width	$4 T_{HCLK} - 1$	$4 T_{HCLK}$	ns
$T_{su(D-NOE)}$	FMC_D[15-0] valid data before FMC_NOE high	19	-	
$T_{h(NOE-D)}$	FMC_D[15-0] valid data after FMC_NOE high	0	-	
$T_{d(NCE-NOE)}$	FMC_NCE valid before FMC_NOE low	-	$3 T_{HCLK}$	
$T_{h(NOE-ALE)}$	FMC_NOE high to FMC_ALE invalid	$3 T_{HCLK}$	-	

1. CL = 30 pF.
2. Guaranteed by characterization results.

Table 102. Switching characteristics for NAND Flash write cycles<sup>(1)(2)</sup>

Symbol	Parameter	Min	Max	Unit
$T_{w(NWE)}$	FMC_NWE low width	$4 T_{HCLK} - 1$	$4 T_{HCLK}$	ns
$T_{v(NWE-D)}$	FMC_NWE low to FMC_D[15-0] valid	0	-	
$T_{h(NWE-D)}$	FMC_NWE high to FMC_D[15-0] invalid	$3 T_{HCLK} - 1$	-	
$T_{d(D-NWE)}$	FMC_D[15-0] valid before FMC_NWE high	$5 T_{HCLK}$	-	
$T_{d(NCE-NWE)}$	FMC_NCE valid before FMC_NWE low	-	$3 T_{HCLK}$	
$T_{h(NWE-ALE)}$	FMC_NWE high to FMC_ALE invalid	$3 T_{HCLK}$	-	

1. CL = 30 pF.
2. Guaranteed by characterization results.

### 5.3.28 QUADSPI characteristics

Unless otherwise specified, the parameters given in [Table 103](#) and [Table 104](#) for Quad SPI are derived from tests performed under the ambient temperature,  $f_{\text{AHB}}$  frequency and  $V_{\text{DD}}$  supply voltage conditions summarized in [Table 17: General operating conditions](#), with the following configuration:

- Output speed is set to  $\text{OSPEEDRy}[1:0] = 11$
- Capacitive load  $C = 15$  or  $20$  pF
- Measurement points are done at CMOS levels:  $0.5 \times V_{\text{DD}}$

Refer to [Section 5.3.14: I/O port characteristics](#) for more details on the input/output alternate function characteristics.

**Table 103. Quad SPI characteristics in SDR mode<sup>(1)</sup>**

Symbol	Parameter	Conditions	Min	Typ	Max	Unit
F(QCK)	Quad SPI clock frequency	$1.71 < V_{\text{DD}} < 3.6$ V, $C_{\text{LOAD}} = 15$ pF Voltage Range 1	-	-	50	MHz
		$1.71 < V_{\text{DD}} < 3.6$ V, $C_{\text{LOAD}} = 20$ pF Voltage Range 2	-	-	110	
$t_{\text{w(CKH)}}$	Quad SPI clock high and low time	PRESCALER [7:0] $n = 0, 1, 3, 5 \dots$	$t_{\text{CKY}}/2 - 0.5$	-	$t_{\text{CKY}}/2 + 1$	ns
$t_{\text{w(CKL)}}$	Even division		$t_{\text{CKY}}/2 - 1$	-	$t_{\text{CKY}}/2 + 0.5$	
$t_{\text{w(CKH)}}$	Quad SPI clock high and low time	PRESCALER [7:0] $n = 2, 4, 6, 8 \dots$	$(n/2) * t_{\text{CKY}} / (n+1) - 0.5$	-	$(n/2) * t_{\text{CKY}} / (n+1) + 1$	
$t_{\text{w(CKL)}}$	Odd division		$(n/2+1) * t_{\text{CKY}} / (n+1) - 1$	-	$(n/2+1) * t_{\text{CKY}} / (n+1) + 0.5$	
$t_{\text{s(IN)}}$	Data input setup time	$1.71 < V_{\text{DD}} < 3.6$ V	1	-	-	
$t_{\text{h(IN)}}$	Data input hold time	$1.71 < V_{\text{DD}} < 3.6$ V	5	-	-	
$t_{\text{v(OUT)}}$	Data output valid time	$1.71 < V_{\text{DD}} < 3.6$ V	-	1	1.5	
$t_{\text{h(OUT)}}$	Data output hold time	$1.71 < V_{\text{DD}} < 3.6$ V	0.5	-	-	

1. Guaranteed by characterization results.

**Table 104. QUADSPI characteristics in DDR mode<sup>(1)</sup>**

Symbol	Parameter	Conditions	Min	Typ	Max	Unit
F(QCK)	Quad SPI clock frequency	$1.71 < V_{\text{DD}} < 3.6$ V, $C_{\text{LOAD}} = 15$ pF Voltage Range 1	-	-	50	MHz
		$1.71 < V_{\text{DD}} < 3.6$ V, $C_{\text{LOAD}} = 20$ pF Voltage Range 2	-	-	70	



Table 104. QUADSPI characteristics in DDR mode<sup>(1)</sup> (continued)

Symbol	Parameter	Conditions	Min	Typ	Max	Unit
$t_{w(CKH)}$	Quad SPI clock high and low time Even division	PRESCALER [7:0] $n = 0, 1, 3, 5 \dots$	$t_{CKY}/2$	-	$t_{CKY}/2+1$	ns
$t_{w(CKL)}$			$t_{CKY}/2-1$	-	$t_{CKY}/2$	
$t_{w(CKH)}$	Quad SPI clock high and low time Odd division	PRESCALER [7:0] $n = 2, 4, 6, 8 \dots$	$(n/2)*t_{CKY}/(n+1)$	-	$(n/2)*t_{CKY}/(n+1) + 1$	
$t_{w(CKL)}$			$(n/2+1)*t_{CKY}/(n+1) - 1$	-	$(n/2+1)*t_{CKY}/(n+1)$	
$t_{sr(IN)}$	Data input setup time on rising edge	$1.71 < V_{DD} < 3.6 \text{ V}$	1	-	-	
$t_{sf(IN)}$	Data input setup time on falling edge	$1.71 < V_{DD} < 3.6 \text{ V}$	1	-	-	
$t_{hr(IN)}$	Data input hold time on rising edge	$1.71 < V_{DD} < 3.6 \text{ V}$	6	-	-	
$t_{hf(IN)}$	Data input hold time on falling edge	$1.71 < V_{DD} < 3.6 \text{ V}$	5	-	-	
$t_{vr(OUT)}$	Data output valid time on rising edge	$1.71 < V_{DD} < 3.6 \text{ V}$ DHHC = 0	-	7.5	8	
		$1.71 < V_{DD} < 3.6 \text{ V}$ DHHC = 1	-	$Thclk/2 + 1$	$Thclk/2 + 1.5$	
$t_{vf(OUT)}$	Data output valid time	$1.71 < V_{DD} < 3.6 \text{ V}$ DHHC = 0	-	7	10	
		$1.71 < V_{DD} < 3.6 \text{ V}$ DHHC = 1	-	$Thclk/2 + 1$	$Thclk/2 + 2$	
$t_{hr(OUT)}$	Data output hold time on rising edge	$1.71 < V_{DD} < 3.6 \text{ V}$ DHHC = 0	2	-	-	
		$1.71 < V_{DD} < 3.6 \text{ V}$ DHHC = 1	$Thclk/2 + 0.5$	-	-	
$t_{hf(OUT)}$	Data output hold time on falling edge	$1.71 < V_{DD} < 3.6 \text{ V}$ DHHC = 0	3	-	-	
		$1.71 < V_{DD} < 3.6 \text{ V}$ DHHC = 1	$Thclk/2 + 0.5$	-	-	

1. Guaranteed by characterization results.

Figure 52. Quad SPI timing diagram - SDR mode

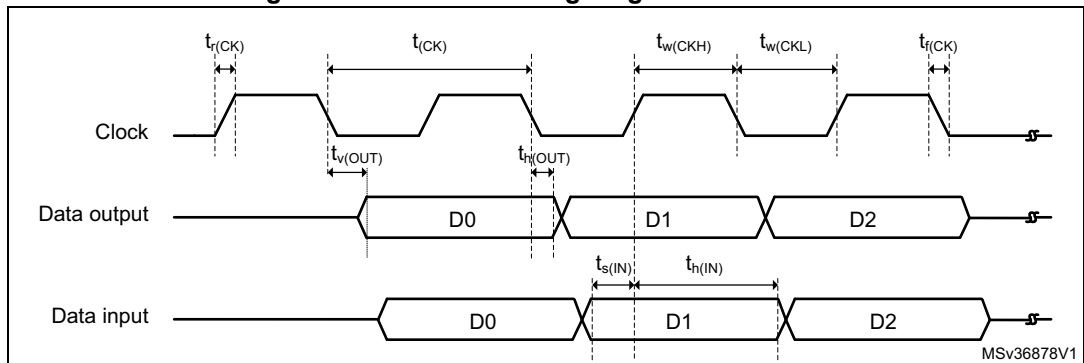
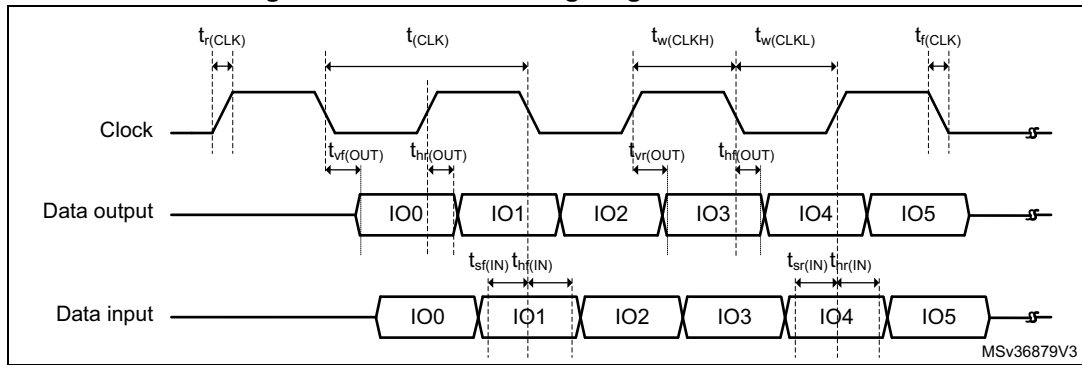


Figure 53. Quad SPI timing diagram - DDR mode



### 5.3.29 UCPD characteristics

UCPD1 controller complies with USB Type-C Rev.1.2 and USB Power Delivery Rev. 3.0 specifications.

Table 105. UCPD characteristics

Symbol	Parameter	Conditions	Min	Typ	Max	Unit
$V_{DD}$	UCPD operating supply voltage	Sink mode only	3.0	3.3	3.6	V
		Sink and source mode	3.135	3.3	3.465	V

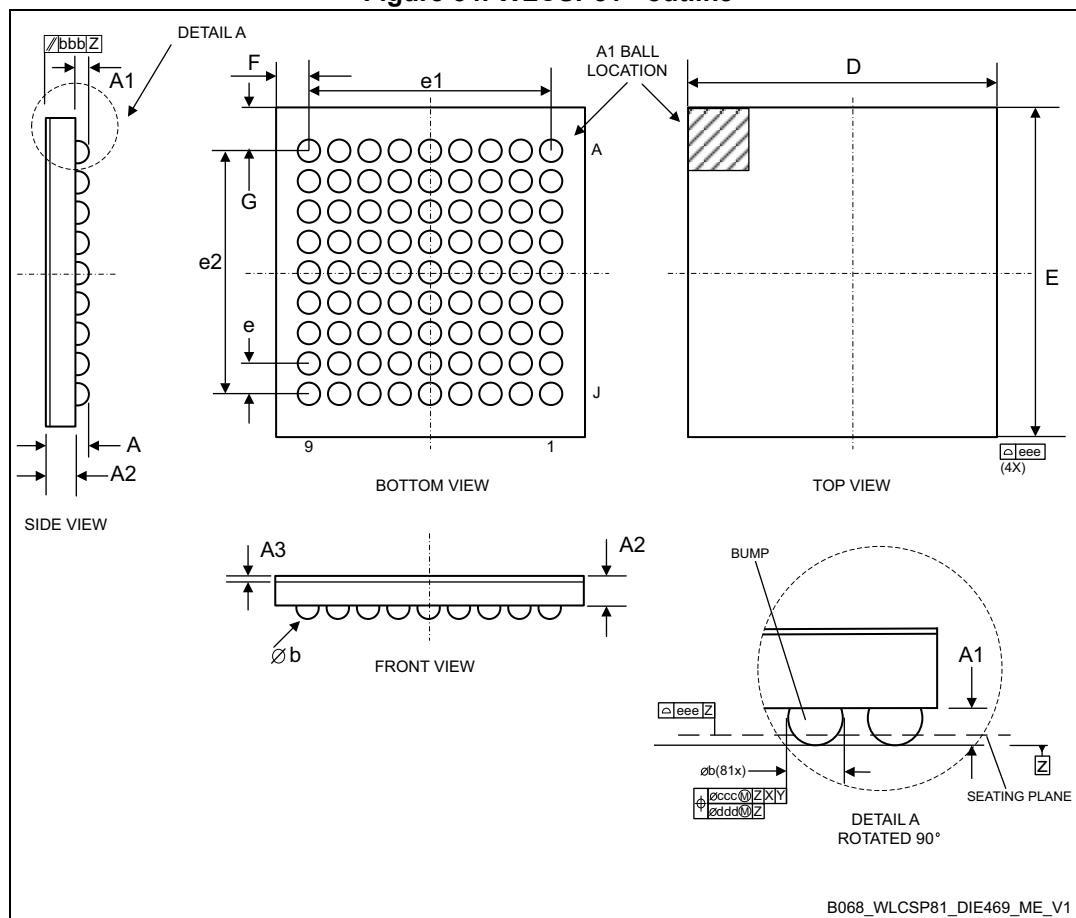
## 6 Package information

In order to meet environmental requirements, ST offers these devices in different grades of ECOPACK packages, depending on their level of environmental compliance. ECOPACK specifications, grade definitions and product status are available at: [www.st.com](http://www.st.com). ECOPACK is an ST trademark.

### 6.1 WLCSP81 package information

WLCSP81 is a 81-ball, 4.02x4.27 mm, 0.4 mm pitch wafer level chip scale package.

Figure 54. WLCSP81 - outline



1. Drawing is not to scale.
2. Dimension is measured at the maximum bump diameter parallel to primary datum Z.
3. Primary datum Z and seating plane are defined by the spherical crowns of the bump.
4. Bump position designation per JESD 95-1, SPP-010.

Table 106. WLCSP81 - mechanical data

Symbol	millimeters			inches <sup>(1)</sup>		
	Min	Typ	Max	Min	Typ	Max
A <sup>(2)</sup>	-	-	0.59	-	-	0.023
A1	-	0.18	-	-	0.007	-
A2	-	0.38	-	-	0.015	-
A3	-	0.025	-	-	0.001	-
b	0.22	0.25	0.28	0.009	0.010	0.011
D	4.00	4.02	4.04	0.157	0.158	0.159
E	4.25	4.27	4.29	0.167	0.168	0.169
e	-	0.40	-	-	0.016	-
e1	-	3.20	-	-	0.126	-
e2	-	3.20	-	-	0.126	-
F <sup>(3)</sup>	-	0.410	-	-	0.016	-
G <sup>(3)</sup>	-	0.535	-	-	0.021	-
aaa	-	-	0.10	-	-	0.004
bbb	-	-	0.10	-	-	0.004
ccc	-	-	0.10	-	-	0.004
ddd	-	-	0.05	-	-	0.002
eee	-	-	0.05	-	-	0.002

1. Values in inches are converted from mm and rounded to 3 decimal digits.
2. The maximum total package height is calculated by the RSS method (Root Sum Square) using nominal and tolerances values of A1 and A2.
3. Calculated dimensions are rounded to the 3rd decimal place

Figure 55. WLCSP81 - recommended footprint

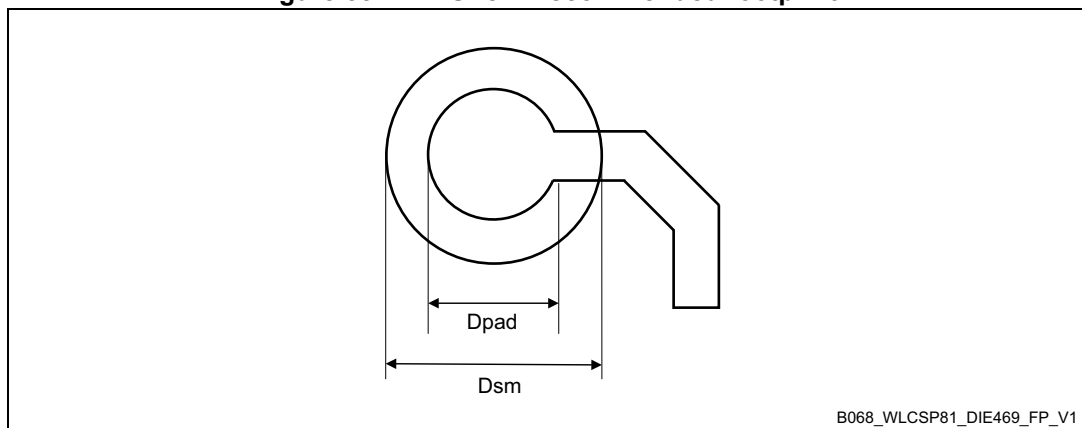


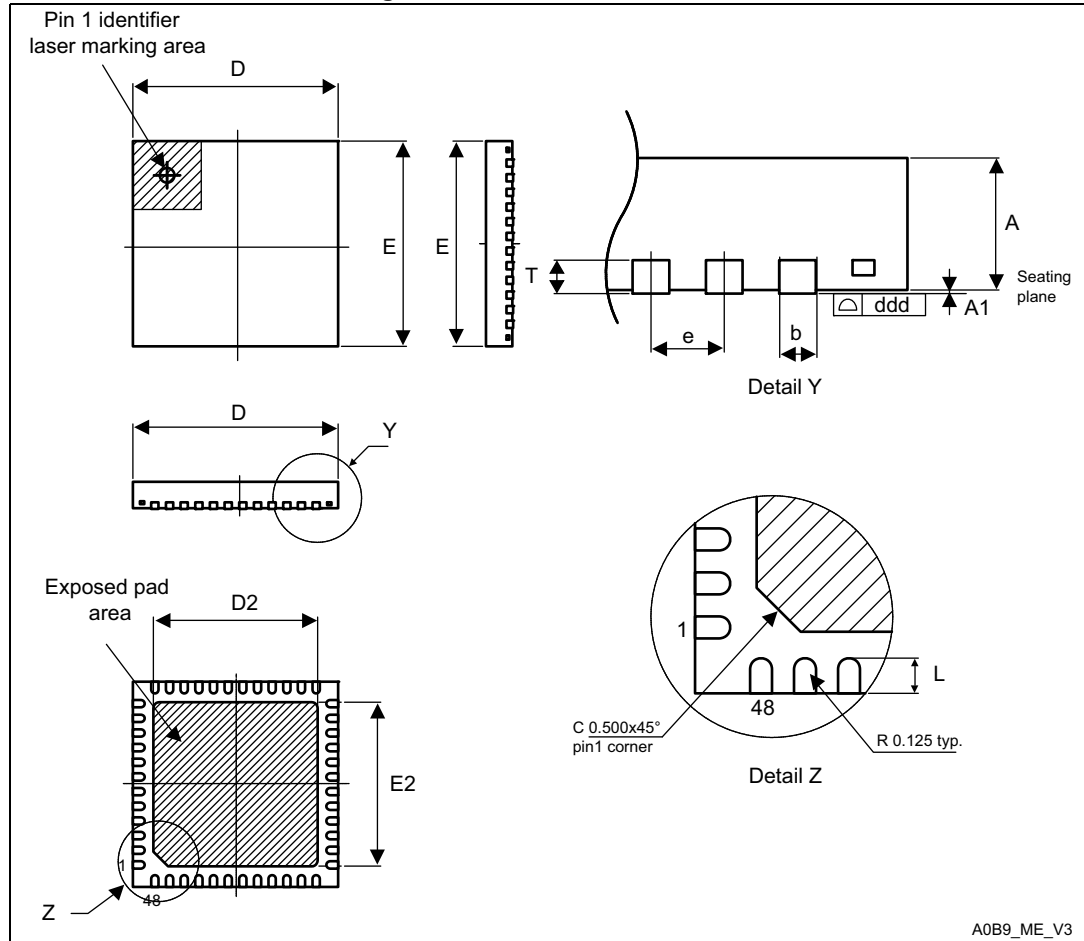
Table 107. WLCSP81 - recommended PCB design rules

Dimension	Recommended values
Pitch	0.4 mm
Dpad	0,225 mm
Dsm	0.290 mm typ. (depends on soldermask registration tolerance)
Stencil opening	0.250 mm
Stencil thickness	0.100 mm

## 6.2 UFQFPN48 package information

UFQFPN48 is a 48-lead, 7x7 mm, 0.5 mm pitch, ultra thin fine pitch quad flat package.

Figure 56. UFQFPN48 - outline



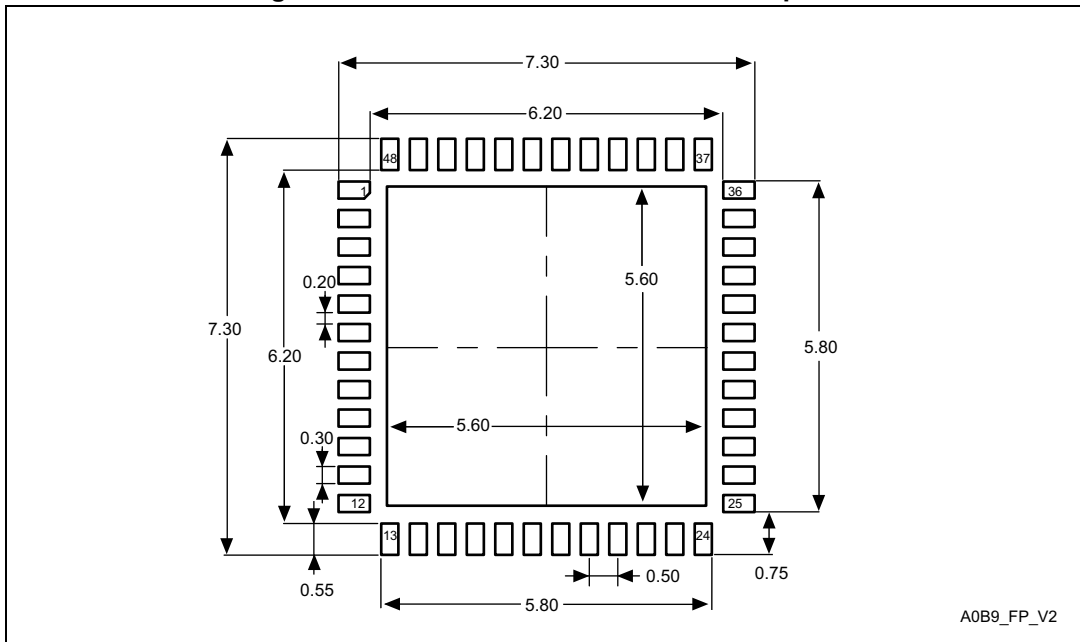
1. Drawing is not to scale.
2. All leads/pads should also be soldered to the PCB to improve the lead/pad solder joint life.
3. There is an exposed die pad on the underside of the UFQFPN package. It is recommended to connect and solder this back-side pad to PCB ground.

Table 108. UFQFPN48 - mechanical data

Symbol	millimeters			inches <sup>(1)</sup>		
	Min	Typ	Max	Min	Typ	Max
A	0.500	0.550	0.600	0.0197	0.0217	0.0236
A1	0.000	0.020	0.050	0.0000	0.0008	0.0020
D	6.900	7.000	7.100	0.2717	0.2756	0.2795
E	6.900	7.000	7.100	0.2717	0.2756	0.2795
D2	5.500	5.600	5.700	0.2165	0.2205	0.2244
E2	5.500	5.600	5.700	0.2165	0.2205	0.2244
L	0.300	0.400	0.500	0.0118	0.0157	0.0197
T	-	0.152	-	-	0.0060	-
b	0.200	0.250	0.300	0.0079	0.0098	0.0118
e	-	0.500	-	-	0.0197	-
ddd	-	-	0.080	-	-	0.0031

1. Values in inches are converted from mm and rounded to 4 decimal digits.

Figure 57. UFQFPN48 - recommended footprint



1. Dimensions are expressed in millimeters.

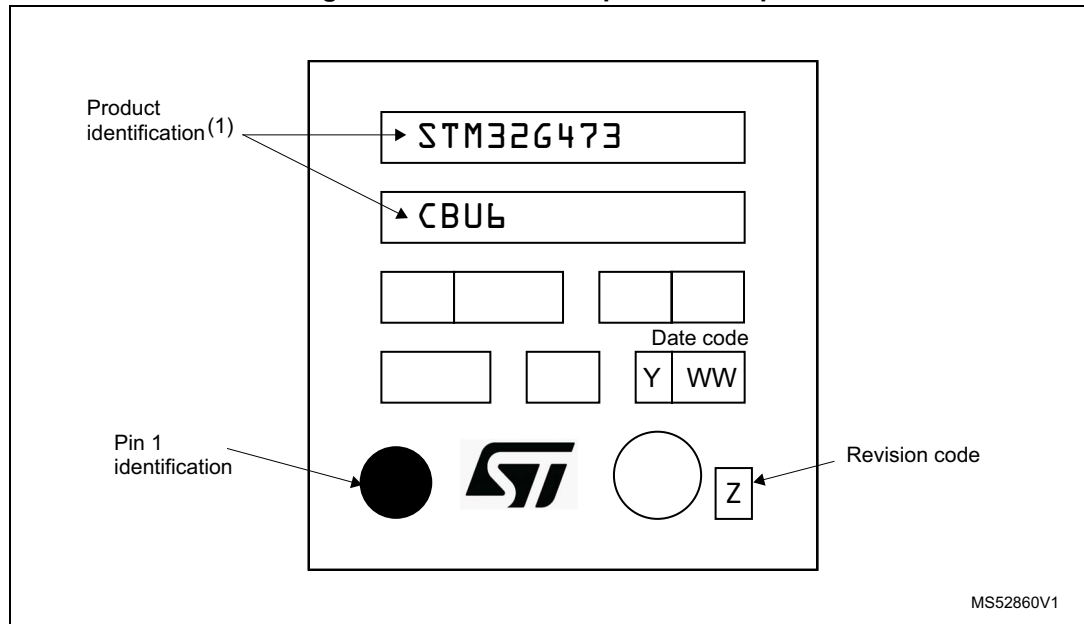
**UFQFPN48 device marking**

The following figure gives an example of topside marking orientation versus pin 1 identifier location.

The printed markings may differ depending on the supply chain.

Other optional marking or inset/upset marks, which identify the parts throughout supply chain operations, are not indicated below.

**Figure 58. UFQFPN48 top view example**



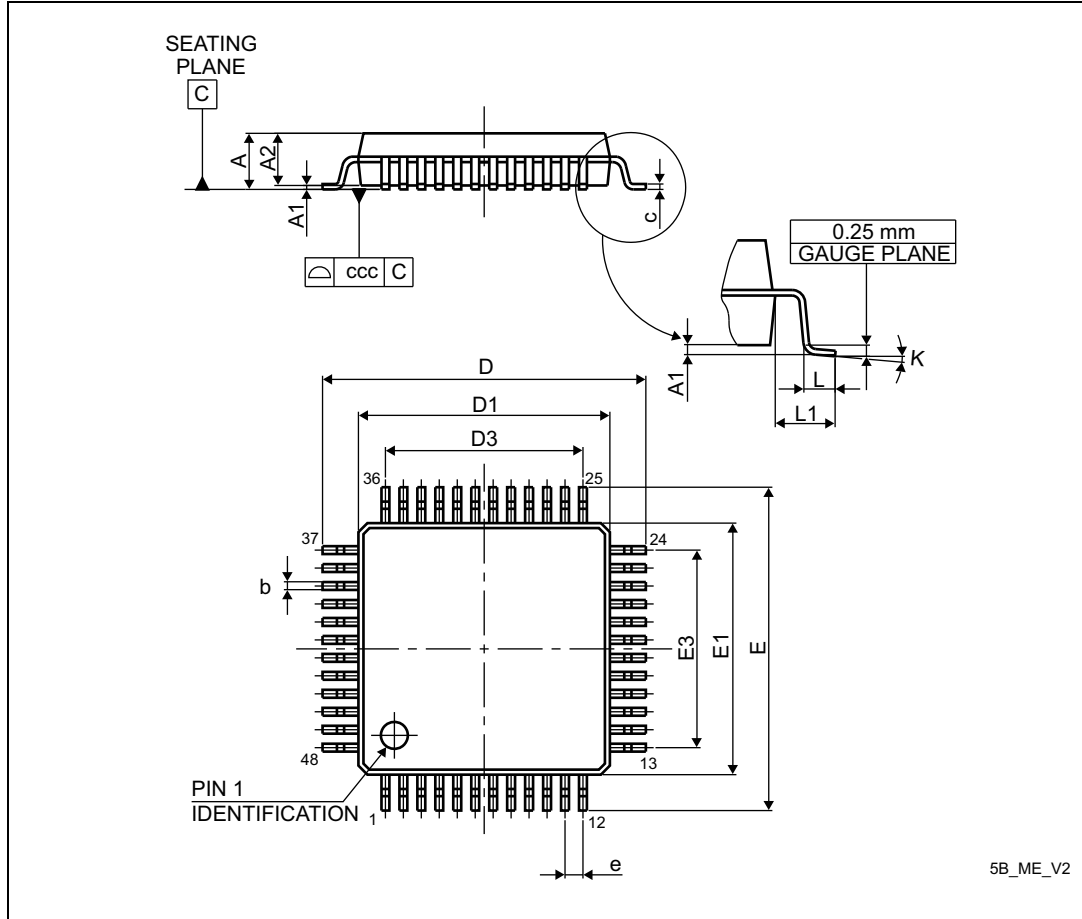
1. Parts marked as ES or E or accompanied by an engineering sample notification letter are not yet qualified and therefore not approved for use in production. ST is not responsible for any consequences resulting from such use. In no event will ST be liable for the customer using any of these engineering samples in production. ST's Quality department must be contacted prior to any decision to use these engineering samples to run a qualification activity.



### 6.3 LQFP48 package information

LQFP48 is a 48-pin, 7 x 7 mm low-profile quad flat package.

Figure 59. LQFP48 - outline



5B\_ME\_V2

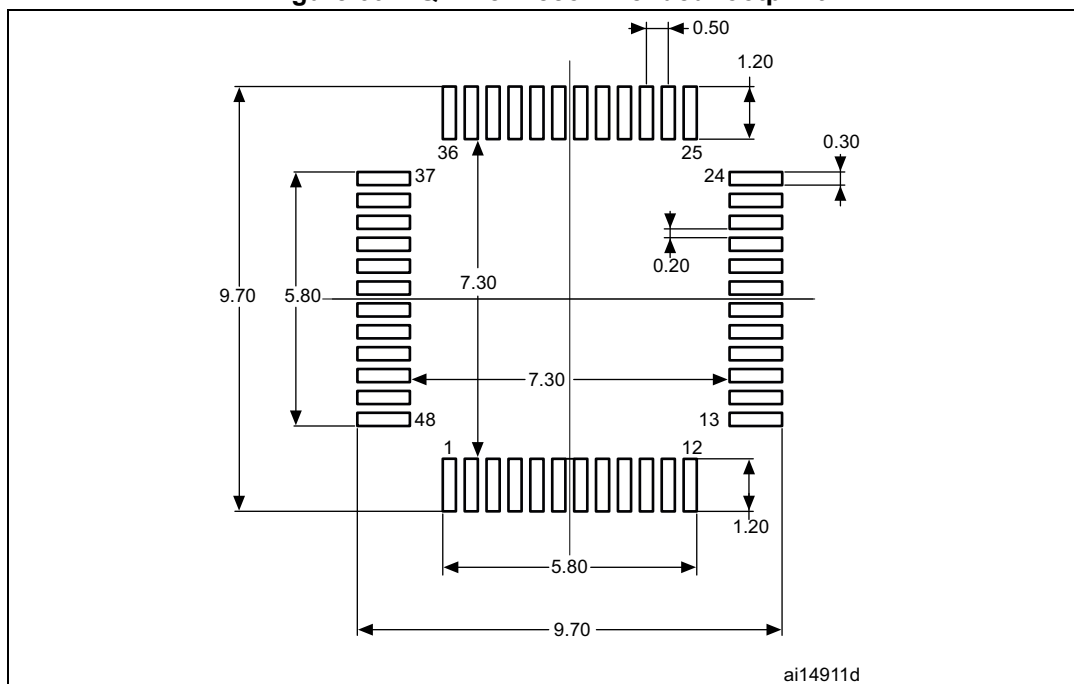
1. Drawing is not to scale.

Table 109. LQFP48 - mechanical data

Symbol	millimeters			inches <sup>(1)</sup>		
	Min	Typ	Max	Min	Typ	Max
A	-	-	1.600	-	-	0.0630
A1	0.050	-	0.150	0.0020	-	0.0059
A2	1.350	1.400	1.450	0.0531	0.0551	0.0571
b	0.170	0.220	0.270	0.0067	0.0087	0.0106
c	0.090	-	0.200	0.0035	-	0.0079
D	8.800	9.000	9.200	0.3465	0.3543	0.3622
D1	6.800	7.000	7.200	0.2677	0.2756	0.2835
D3	-	5.500	-	-	0.2165	-
E	8.800	9.000	9.200	0.3465	0.3543	0.3622
E1	6.800	7.000	7.200	0.2677	0.2756	0.2835
E3	-	5.500	-	-	0.2165	-
e	-	0.500	-	-	0.0197	-
L	0.450	0.600	0.750	0.0177	0.0236	0.0295
L1	-	1.000	-	-	0.0394	-
k	0°	3.5°	7°	0°	3.5°	7°
ccc	-	-	0.080	-	-	0.0031

1. Values in inches are converted from mm and rounded to 4 decimal digits.

Figure 60. LQFP48 - recommended footprint



1. Dimensions are expressed in millimeters.

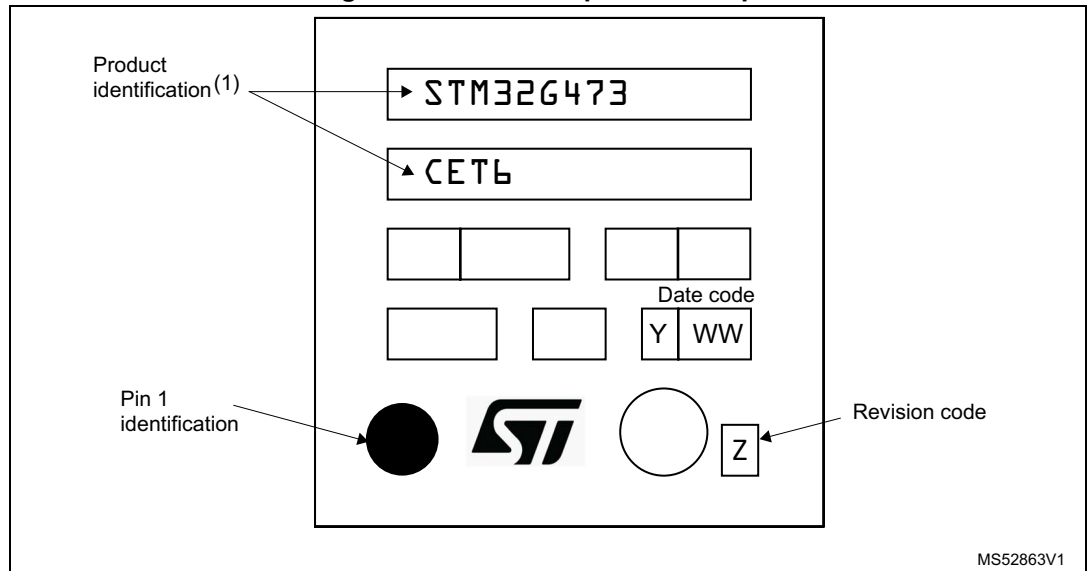
**LQFP48 device marking**

The following figure gives an example of topside marking orientation versus pin 1 identifier location.

The printed markings may differ depending on the supply chain.

Other optional marking or inset/upset marks, which identify the parts throughout supply chain operations, are not indicated below.

**Figure 61. LQFP48 top view example**



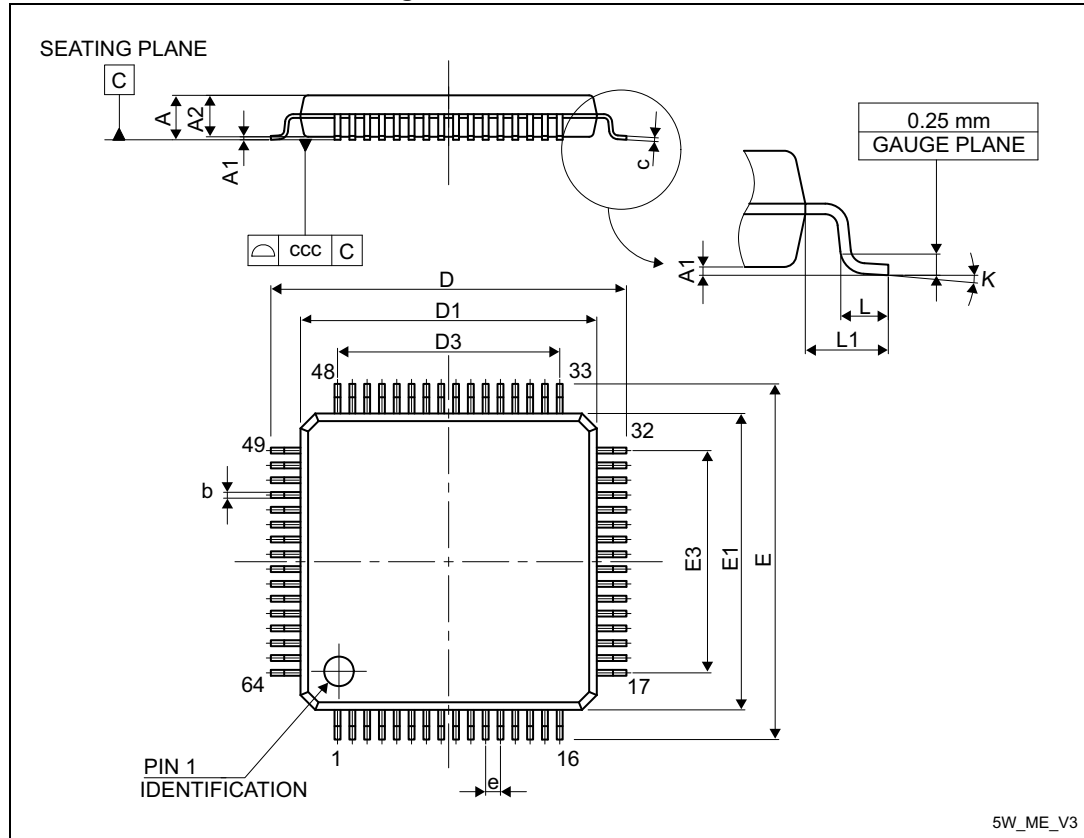
1. Parts marked as ES or E or accompanied by an engineering sample notification letter are not yet qualified and therefore not approved for use in production. ST is not responsible for any consequences resulting from such use. In no event will ST be liable for the customer using any of these engineering samples in production. ST's Quality department must be contacted prior to any decision to use these engineering samples to run a qualification activity.

1.

### 6.4 LQFP64 package information

LQFP64 is a 64-pin, 10 x 10 mm low-profile quad flat package.

Figure 62. LQFP64 - outline



1. Drawing is not to scale.

Table 110. LQFP64 - mechanical data

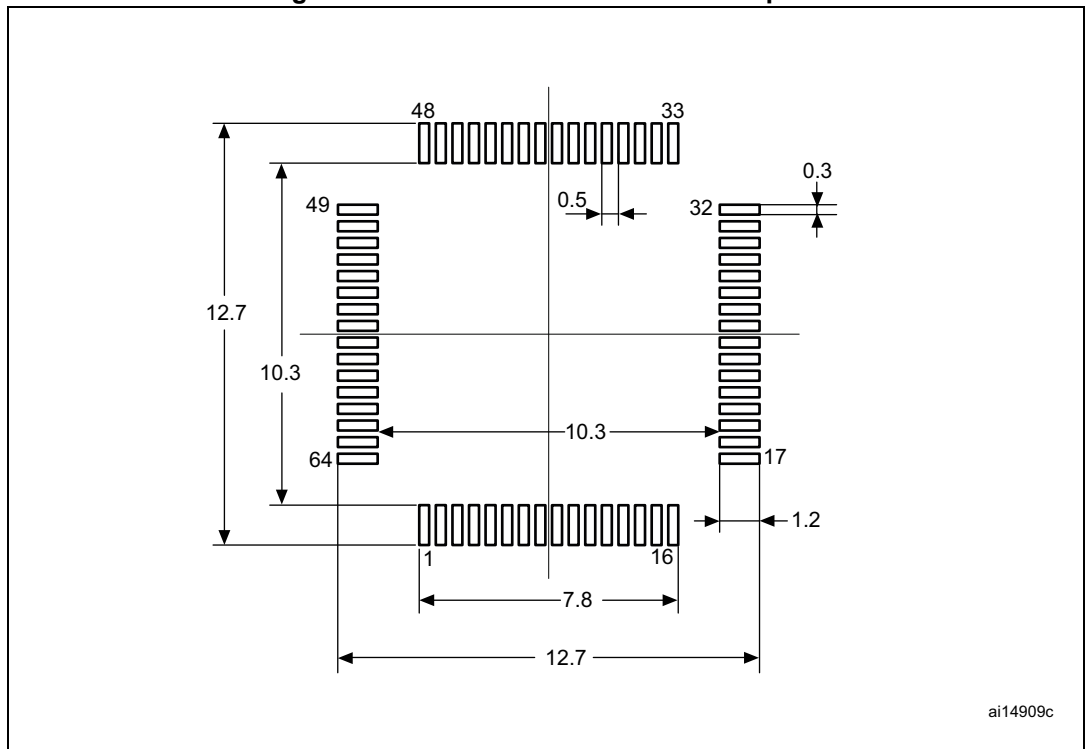
Symbol	millimeters			inches <sup>(1)</sup>		
	Min	Typ	Max	Min	Typ	Max
A	-	-	1.600	-	-	0.0630
A1	0.050	-	0.150	0.0020	-	0.0059
A2	1.350	1.400	1.450	0.0531	0.0551	0.0571
b	0.170	0.220	0.270	0.0067	0.0087	0.0106
c	0.090	-	0.200	0.0035	-	0.0079
D	-	12.000	-	-	0.4724	-
D1	-	10.000	-	-	0.3937	-
D3	-	7.500	-	-	0.2953	-
E	-	12.000	-	-	0.4724	-
E1	-	10.000	-	-	0.3937	-

Table 110. LQFP64 - mechanical data (continued)

Symbol	millimeters			inches <sup>(1)</sup>		
	Min	Typ	Max	Min	Typ	Max
E3	-	7.500	-	-	0.2953	-
e	-	0.500	-	-	0.0197	-
K	0°	3.5°	7°	0°	3.5°	7°
L	0.450	0.600	0.750	0.0177	0.0236	0.0295
L1	-	1.000	-	-	0.0394	-
ccc	-	-	0.080	-	-	0.0031

1. Values in inches are converted from mm and rounded to 4 decimal digits.

Figure 63. LQFP64 - recommended footprint



1. Dimensions are expressed in millimeters.

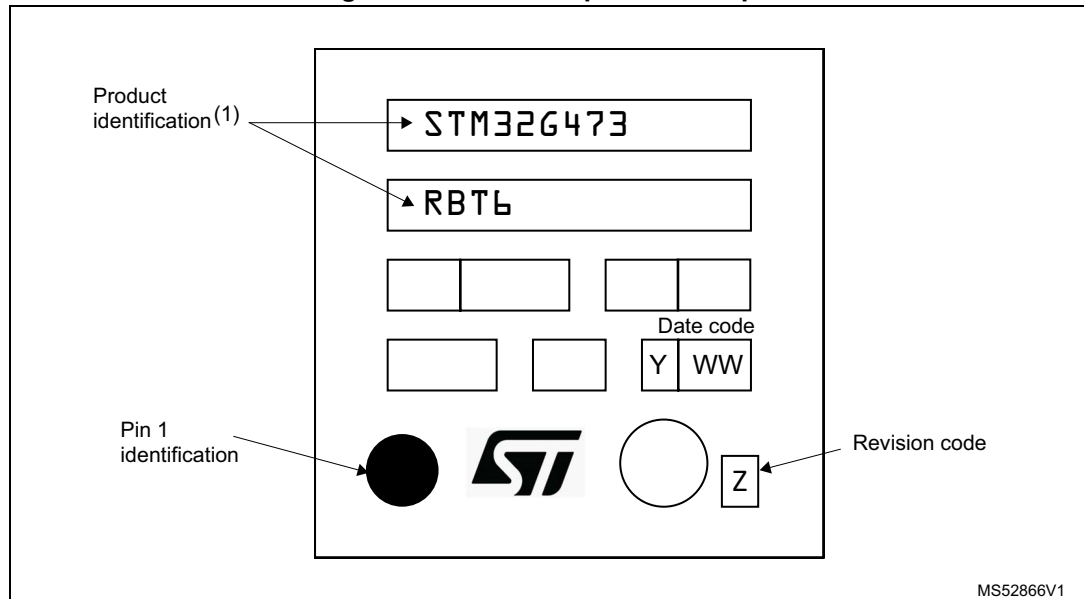
**LQFP64 device marking**

The following figure gives an example of topside marking orientation versus pin 1 identifier location.

The printed markings may differ depending on the supply chain.

Other optional marking or inset/upset marks, which identify the parts throughout supply chain operations, are not indicated below.

**Figure 64. LQFP64 top view example**

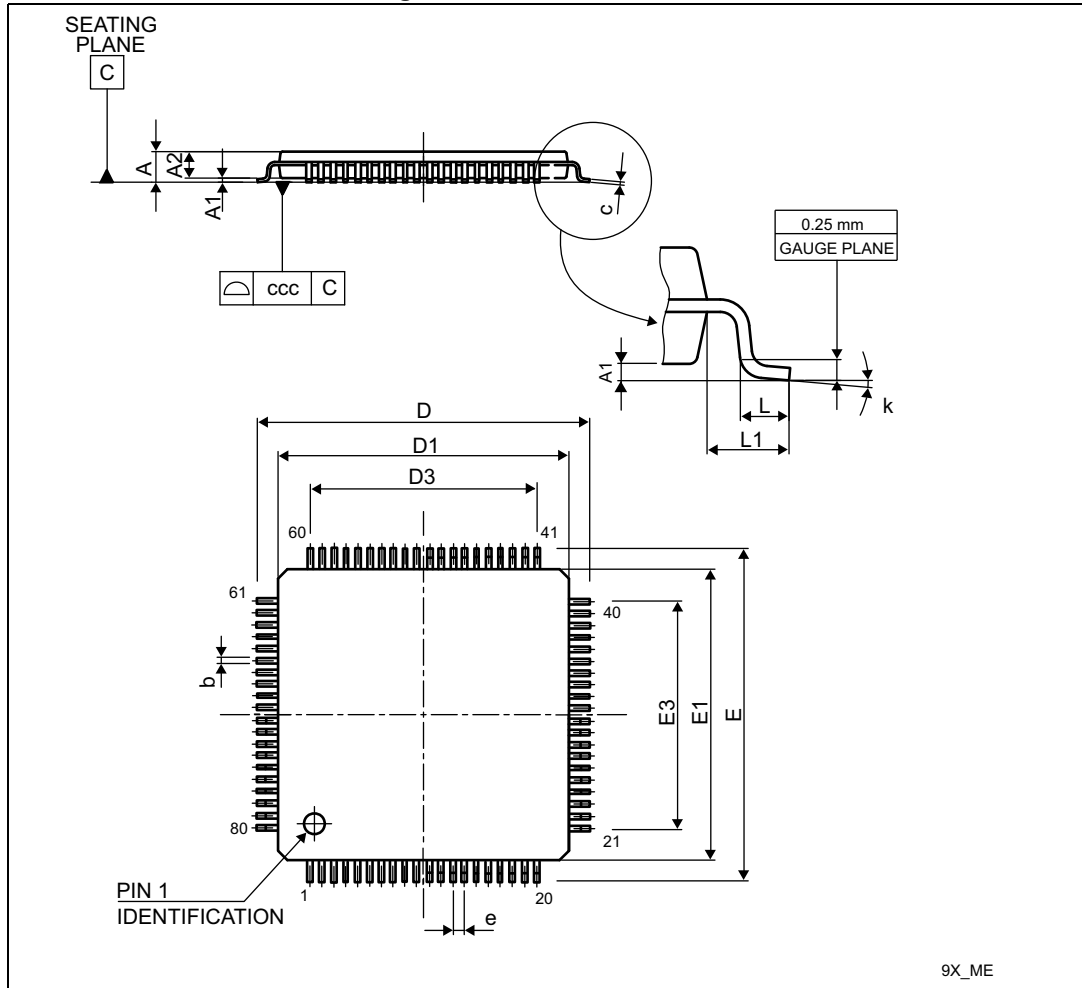


1. Parts marked as ES or E or accompanied by an engineering sample notification letter are not yet qualified and therefore not approved for use in production. ST is not responsible for any consequences resulting from such use. In no event will ST be liable for the customer using any of these engineering samples in production. ST's Quality department must be contacted prior to any decision to use these engineering samples to run a qualification activity.

### 6.5 LQFP80 package information

LQFP80 is a 80-pin, 12 x 12 mm low-profile quad flat package.

Figure 65. LQFP80 - outline



1. Drawing is not to scale.
2. All leads/pads should also be soldered to the PCB to improve the lead/pad solder joint life.
3. There is an exposed die pad on the underside of the UFQFPN package. It is recommended to connect and solder this back-side pad to PCB ground.

Table 111. LQFP80 - mechanical data

Symbol	Millimeters			inches <sup>(1)</sup>		
	Min	Typ	Max	Min	Typ	Max
A	-	-	1.600	-	-	0.0630
A1	0.050	-	0.150	0.0020	-	0.0059
A2	1.350	1.400	1.450	0.0531	0.0551	0.0571
b	0.170	0.220	0.270	0.0067	0.0087	0.0106
c	0.090	-	0.200	0.0035	-	0.0079

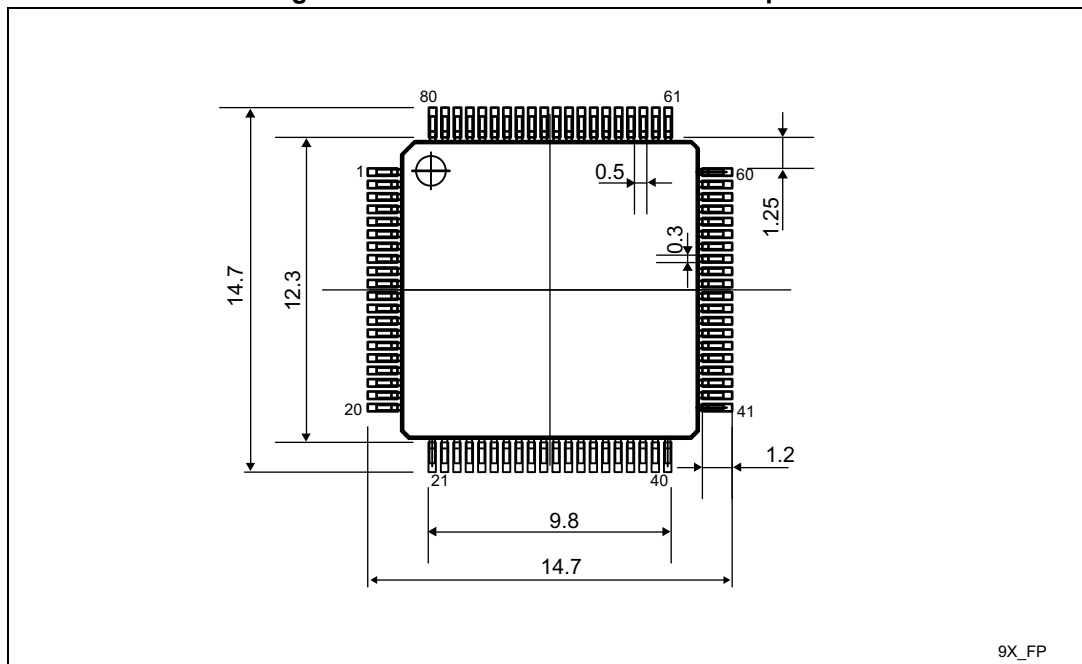


Table 111. LQFP80 - mechanical data (continued)

Symbol	Millimeters			inches <sup>(1)</sup>		
	Min	Typ	Max	Min	Typ	Max
D	-	14.000	-	-	0.5512	-
D1	-	12.000	-	-	0.4724	-
D2	-	9.500	-	-	0.3740	-
E	-	14.000	-	-	0.5512	-
E1	-	12.000	-	-	0.4724	-
E3	-	9.500	-	-	0.3740	-
e	-	0.500	-	-	0.0197	-
L	0.450	0.600	0.750	0.0177	0.0236	0.0295
L1	-	1.000	-	-	0.0394	-
ccc	-	-	0.080	-	-	0.0031
k	0.0°	-	7.0°	0.0°	-	7.0°

1. Values in inches are converted from mm and rounded to 4 decimal digits.

Figure 66. LQFP80 - recommended footprint

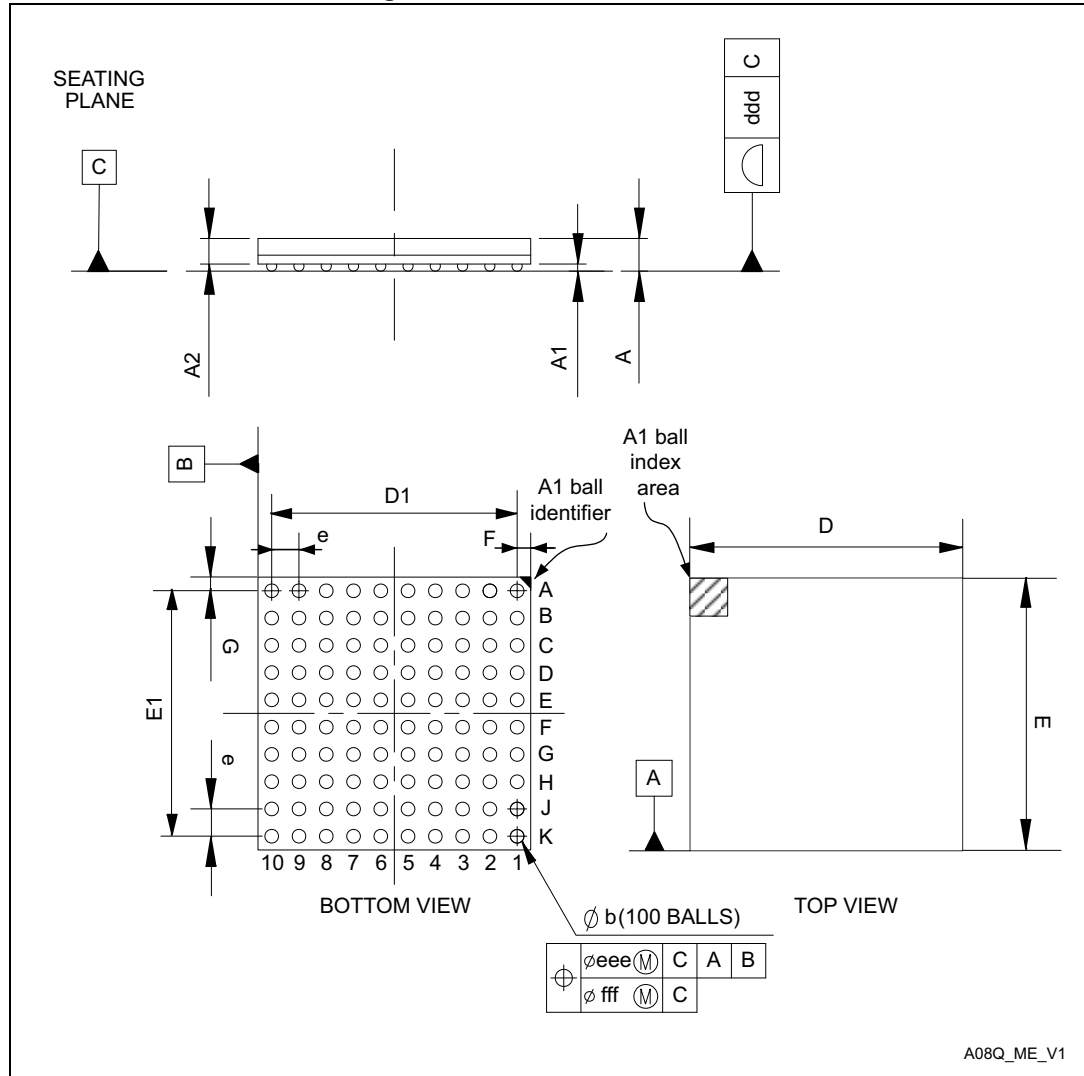


1. Dimensions are expressed in millimeters.

### 6.6 TFBGA100 package information

TFBGA is a 100-ball, 8 x 8 mm, 0.8 mm pitch fine pitch ball grid array package.

Figure 67. TFBGA100 - outline



A08Q\_ME\_V1

Table 112. TFBGA100 - mechanical data

Symbol	millimeters			inches <sup>(1)</sup>		
	Min	Typ	Max	Min	Typ	Max
A	-	-	1.100	-	-	0.0433
A1	0.150	-	-	0.0059	-	-
A2	-	0.760	-	-	0.0299	-
b	0.350	0.400	0.450	0.0138	0.0157	0.0177
D	7.850	8.000	8.150	0.3091	0.3150	0.3209
D1	-	7.200	-	-	0.2835	-
E	7.850	8.000	8.150	0.3091	0.3150	0.3209
E1	-	7.200	-	-	0.2835	-
e	-	0.800	-	-	0.0315	-
F	-	0.400	-	-	0.0157	-
G	-	0.400	-	-	0.0157	-
ddd	-	-	0.100	-	-	0.0039
eee	-	-	0.150	-	-	0.0059
fff	-	-	0.080	-	-	0.0031

1. Values in inches are converted from mm and rounded to 4 decimal digits.

Figure 68. TFBGA100 - recommended footprint

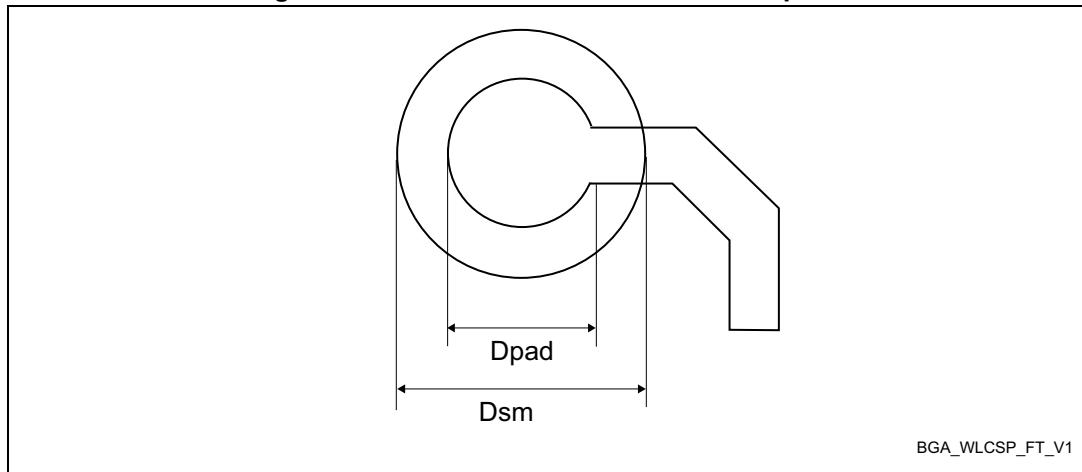


Table 113. TFBGA100 - recommended PCB design rules

Dimension	Recommended values
Pitch	0.8
Dpad	0.400 mm
Dsm	0.470 mm typ. (depends on the soldermask registration tolerance)

**Table 113. TFBGA100 - recommended PCB design rules (continued)**

Dimension	Recommended values
Stencil opening	0.400 mm
Stencil thickness	Between 0.100 mm and 0.125 mm
Pad trace width	0.120 mm

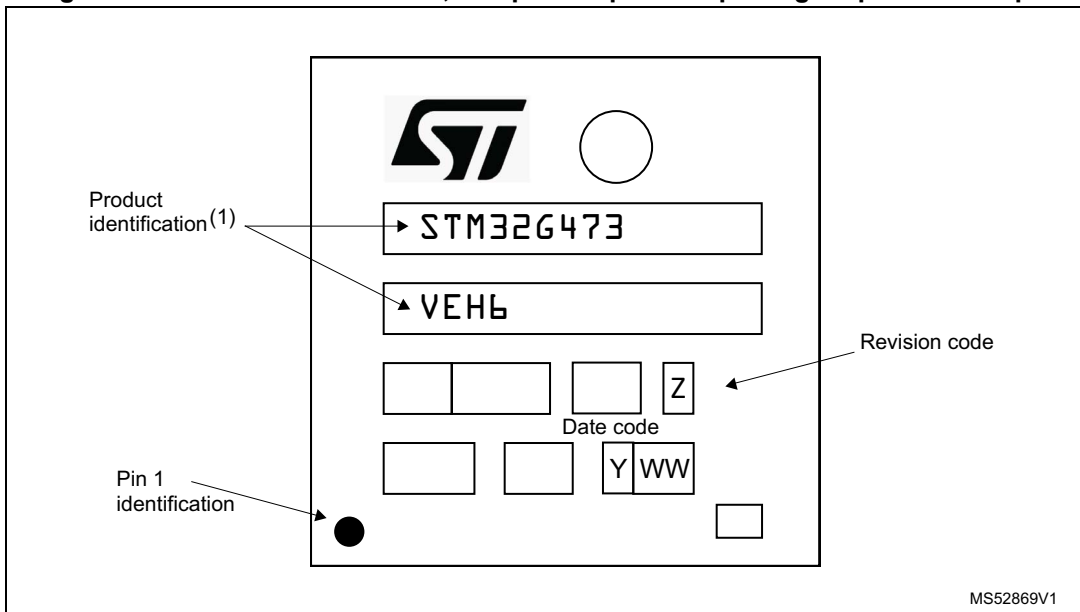
**TFBGA100 device marking**

The following figure gives an example of topside marking orientation versus pin 1 identifier location.

The printed markings may differ depending on the supply chain.

Other optional marking or inset/upset marks, which identify the parts throughout supply chain operations, are not indicated below.

**Figure 69. TFBGA100 - 8 x 8 mm, low-profile quad flat package top view example**

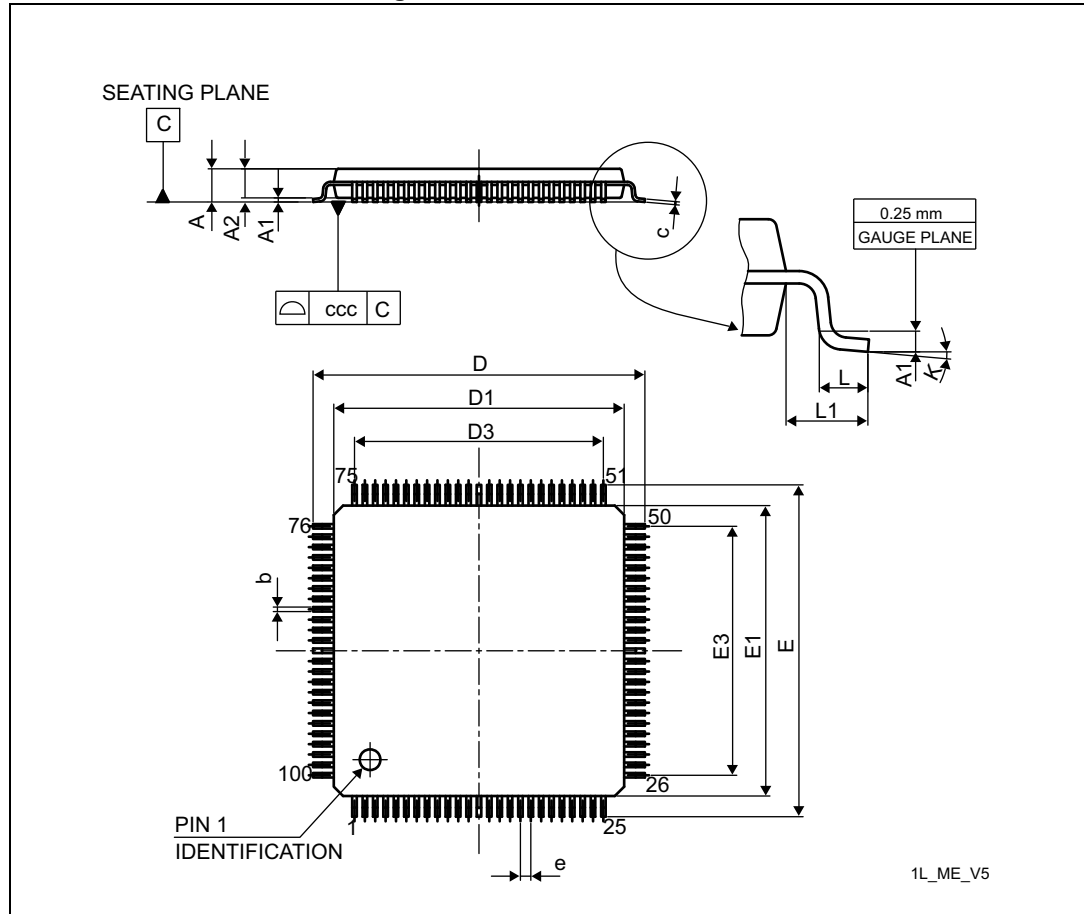


1. Parts marked as ES or E or accompanied by an engineering sample notification letter are not yet qualified and therefore not approved for use in production. ST is not responsible for any consequences resulting from such use. In no event will ST be liable for the customer using any of these engineering samples in production. ST's Quality department must be contacted prior to any decision to use these engineering samples to run a qualification activity.

### 6.7 LQFP100 package information

LQFP100 is a 100-pin, 14 x 14 mm low-profile quad flat package.

Figure 70. LQFP100 - outline



1. Drawing is not to scale.

Table 114. LQPF100 - mechanical data

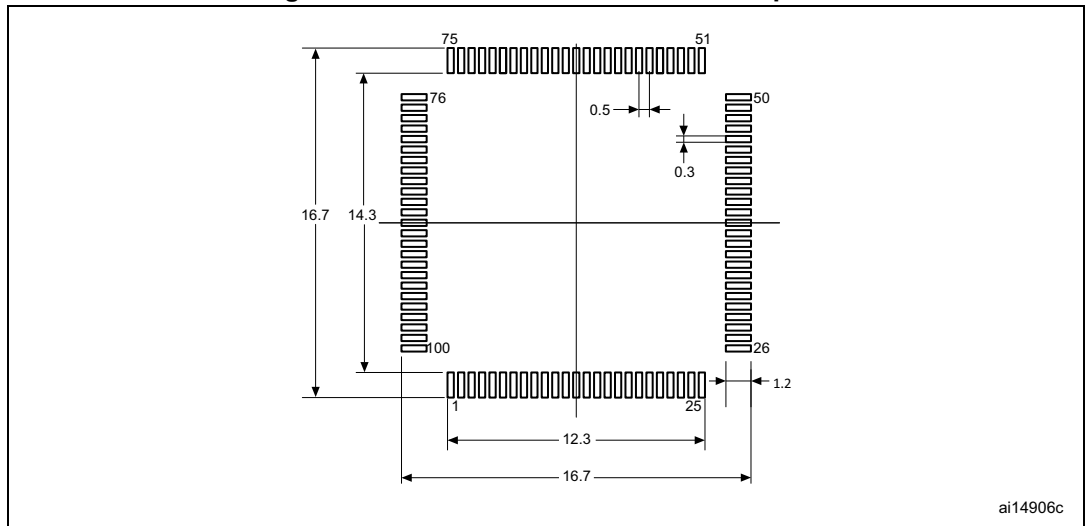
Symbol	millimeters			inches <sup>(1)</sup>		
	Min	Typ	Max	Min	Typ	Max
A	-	-	1.600	-	-	0.0630
A1	0.050	-	0.150	0.0020	-	0.0059
A2	1.350	1.400	1.450	0.0531	0.0551	0.0571
b	0.170	0.220	0.270	0.0067	0.0087	0.0106
c	0.090	-	0.200	0.0035	-	0.0079
D	15.800	16.000	16.200	0.6220	0.6299	0.6378
D1	13.800	14.000	14.200	0.5433	0.5512	0.5591
D3	-	12.000	-	-	0.4724	-

Table 114. LQFP100 - mechanical data (continued)

Symbol	millimeters			inches <sup>(1)</sup>		
	Min	Typ	Max	Min	Typ	Max
E	15.800	16.000	16.200	0.6220	0.6299	0.6378
E1	13.800	14.000	14.200	0.5433	0.5512	0.5591
E3	-	12.000	-	-	0.4724	-
e	-	0.500	-	-	0.0197	-
L	0.450	0.600	0.750	0.0177	0.0236	0.0295
L1	-	1.000	-	-	0.0394	-
k	0.0°	3.5°	7.0°	0.0°	3.5°	7.0°
ccc	-	-	0.080	-	-	0.0031

1. Values in inches are converted from mm and rounded to 4 decimal digits.

Figure 71. LQFP100 - recommended footprint



1. Dimensions are expressed in millimeters.

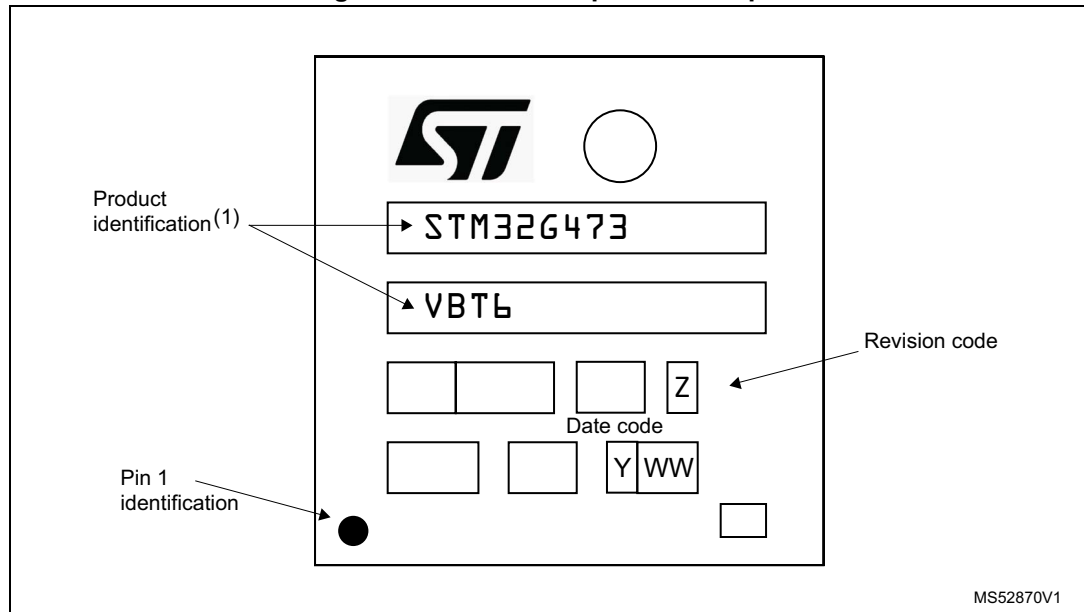
**LQFP100 device marking**

The following figure gives an example of topside marking orientation versus pin 1 identifier location.

The printed markings may differ depending on the supply chain.

Other optional marking or inset/upset marks, which identify the parts throughout supply chain operations, are not indicated below.

**Figure 72. LQFP100 top view example**

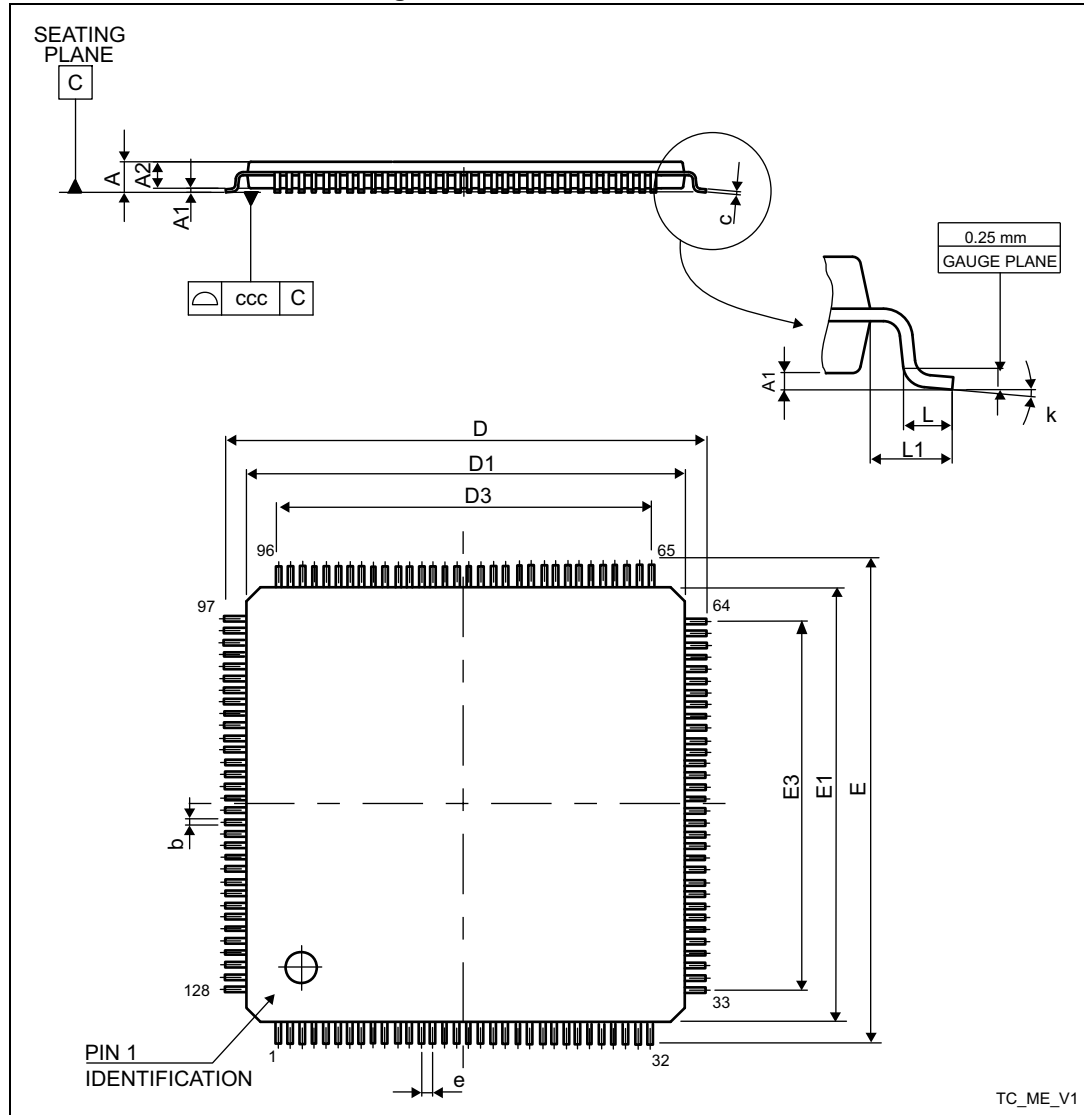


1. Parts marked as ES or E or accompanied by an engineering sample notification letter are not yet qualified and therefore not approved for use in production. ST is not responsible for any consequences resulting from such use. In no event will ST be liable for the customer using any of these engineering samples in production. ST's Quality department must be contacted prior to any decision to use these engineering samples to run a qualification activity.

### 6.8 LQFP128 package information

LQFP128 is a 128-pin, 14 x 14 mm low-profile quad flat package.

Figure 73. LQFP128 - outline



1. Drawing is not to scale.

Table 115. LQFP128 - mechanical data

Symbol	Millimeters			Inches <sup>(1)</sup>		
	Min.	Typ.	Max.	Min.	Typ.	Max.
A	-	-	1.600	-	-	0.0630
A1	0.050	-	0.150	0.0020	-	0.0059
A2	1.350	1.400	1.450	0.0531	0.0551	0.0571
b	0.130	0.180	0.230	0.0051	0.0071	0.0091

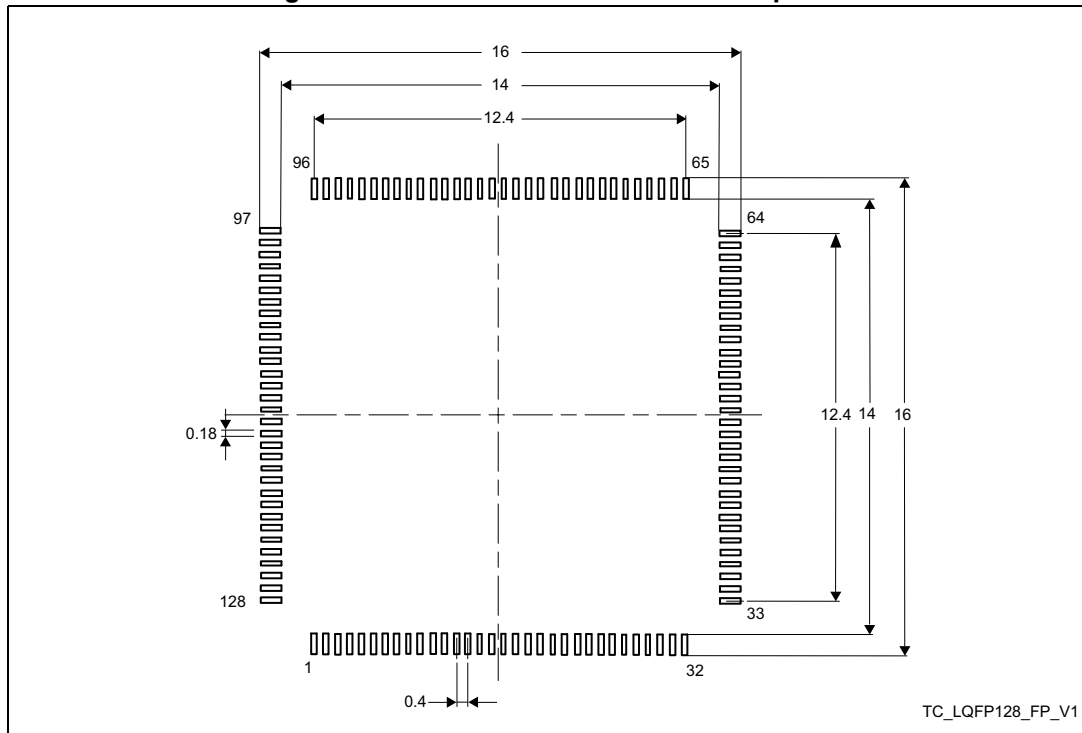


Table 115. LQFP128 - mechanical data (continued)

Symbol	Millimeters			Inches <sup>(1)</sup>		
	Min.	Typ.	Max.	Min.	Typ.	Max.
c	0.090	-	0.200	0.0035	-	0.0079
D	15.800	16.000	16.200	0.6220	0.6299	0.6378
D1	13.800	14.000	14.200	0.5433	0.5512	0.5591
D3	-	12.400	-	-	0.4882	-
E	15.800	16.000	16.200	0.6220	0.6299	0.6378
E1	13.800	14.000	14.200	0.5433	0.5512	0.5591
E3	-	12.400	-	-	0.4882	-
e	-	0.400	-	-	0.0157	-
L	0.450	0.600	0.750	0.0177	0.0236	0.0295
L1	-	1.000	-	-	0.0394	-
k	0°	3.5°	7°	0°	3.5°	7°
ccc	-	-	0.080	-	-	0.0031

1. Values in inches are converted from mm and rounded to 4 decimal digits.

Figure 74. LQFP128 - recommended footprint



Dimensions are expressed in millimeters.

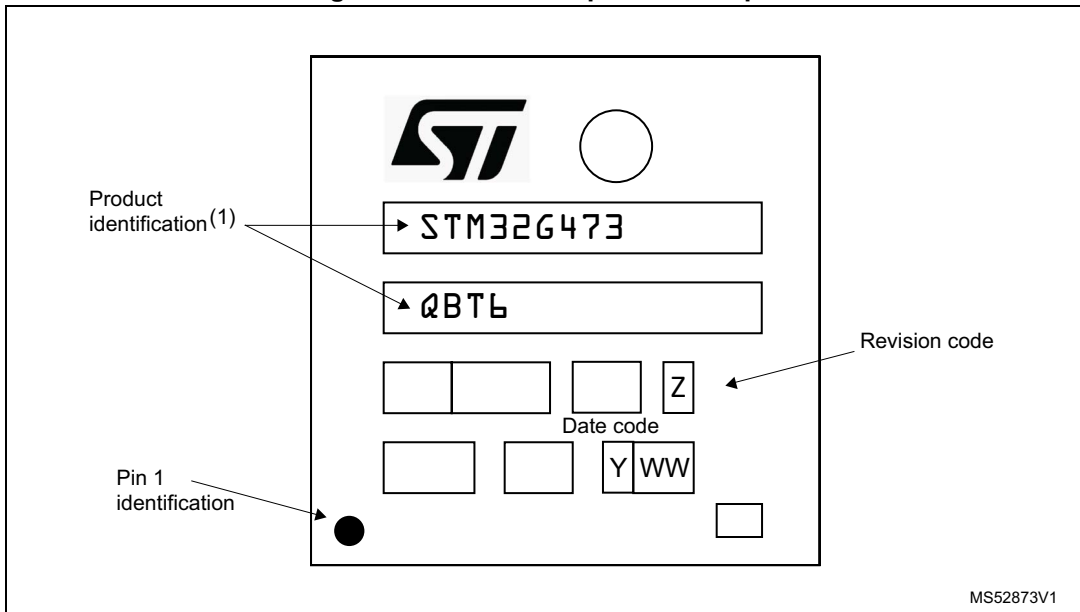
### LQFP128 device marking

The following figure gives an example of topside marking orientation versus pin 1 identifier location.

The printed markings may differ depending on the supply chain.

Other optional marking or inset/upset marks, which identify the parts throughout supply chain operations, are not indicated below.

Figure 75. LQFP128 top view example

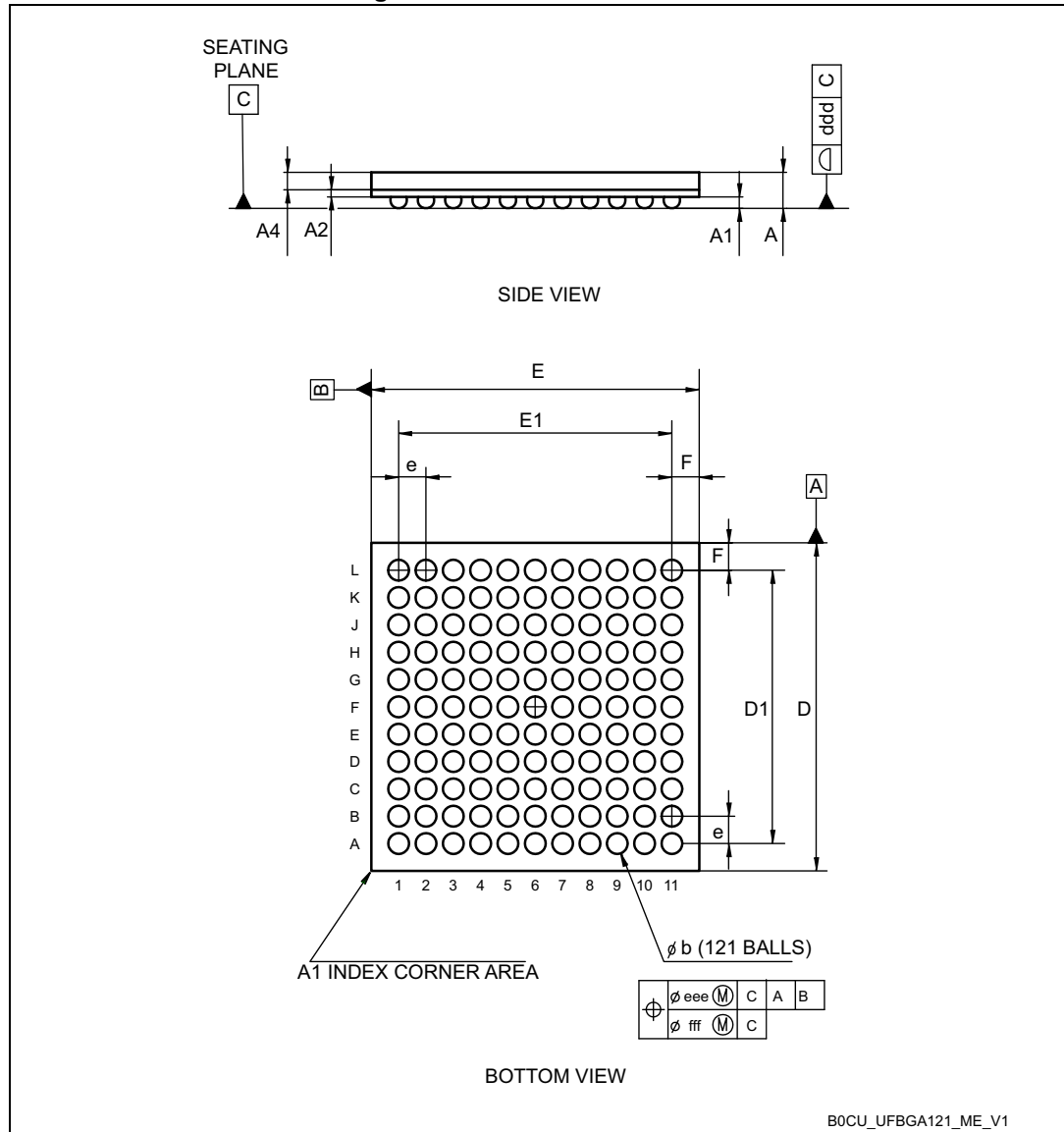


1. Parts marked as ES or E or accompanied by an engineering sample notification letter are not yet qualified and therefore not approved for use in production. ST is not responsible for any consequences resulting from such use. In no event will ST be liable for the customer using any of these engineering samples in production. ST's Quality department must be contacted prior to any decision to use these engineering samples to run a qualification activity.

### 6.9 UFBGA121 package information

UFBGA121 is a 121 balls, 6 x 6 mm, 0.5 mm pitch, fine pitch, square ball grid array package.

Figure 76. UFBGA121 - outline



1. Drawing is not to scale.
2. The terminal A1 corner must be identified on the top surface by using a corner chamfer, ink or metalized markings, or other feature of package body or integral heat slug. A distinguishing feature is allowable on the bottom surface of the package to identify the terminal A1 corner. Exact shape of each corner is optional.

Table 116. UFBGA121 - mechanical data

Symbol	millimeters			inches <sup>(1)</sup>		
	Min	Typ	Max	Min	Typ	Max
A <sup>(2)</sup>	-	-	0.60	-	-	0.0236
A1	-	-	0.11	-	-	0.0043
A2	-	0.13	-	-	0.0051	-
A4	-	0.32	-	-	0.0126	-
b <sup>(3)</sup>	0.24	0.29	0.34	0.0094	0.0114	0.0134
D	5.85	6.00	6.15	0.2303	0.2362	0.2421
D1	-	5.00	-	-	0.1969	-
E	5.85	6.00	6.15	0.2303	0.2362	0.2421
E1	-	5.00	-	-	0.1969	-
e	-	0.50	-	-	0.0197	-
F	-	0.50	-	-	0.0197	-
ddd	-	-	0.08	-	-	0.0031
eee <sup>(4)</sup>	-	-	0.15	-	-	0.0059
fff <sup>(5)</sup>	-	-	0.05	-	-	0.0020

1. Values in inches are converted from mm and rounded to 4 decimal digits.
2. - UFBGA stands for Ultra-Thin Profile Fine Pitch Ball Grid Array.  
 - Ultra Thin profile:  $0.50 < A \leq 0.65\text{mm}$  / Fine pitch:  $e < 1.00\text{mm}$  pitch.  
 - The total profile height (Dim A) is measured from the seating plane to the top of the component  
 - The maximum total package height is calculated by the following methodology:  
 $A \text{ Max} = A1 \text{ Typ} + A2 \text{ Typ} + A4 \text{ Typ} + \sqrt{A1^2 + A2^2 + A4^2}$  tolerance values
3. The typical balls diameters before mounting is 0.20 mm
4. The tolerance of position that controls the location of the pattern of balls with respect to datum A and B. For each ball there is a cylindrical tolerance zone eee perpendicular to datum C and located on true position with respect to datum A and B as defined by e. The axis perpendicular to datum C of each ball must lie within this tolerance zone.
5. The tolerance of position that controls the location of the balls within the matrix with respect to each other. For each ball there is a cylindrical tolerance zone fff perpendicular to datum C and located on true position as defined by e. The axis perpendicular to datum C of each ball must lie within this tolerance zone. Each tolerance zone fff in the array is contained entirely in the respective zone eee above. The axis of each ball must lie simultaneously in both tolerance zones.

Figure 77. UFBGA121 - recommended footprint

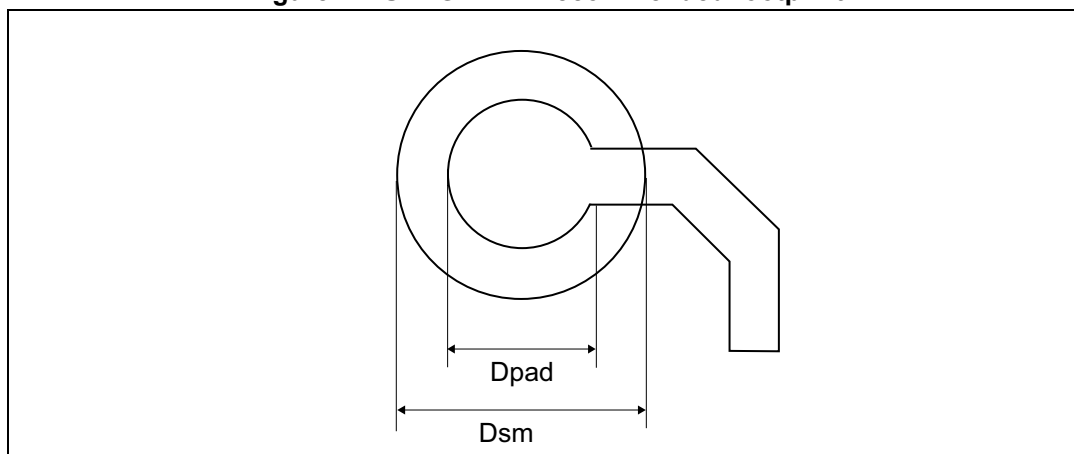


Table 117. UFBGA121 - recommended PCB design rules

Dimension	Recommended values
Pitch	0.5 mm
$D_{pad}$	0,225 mm
$D_{sm}$	0.290 mm typ. (depends on soldermask registration tolerance)
Stencil opening	0.250 mm
Stencil thickness	0.100 mm

## 6.10 Thermal characteristics

The maximum chip-junction temperature,  $T_J \text{ max}$ , in degrees Celsius, may be calculated using the following equation:

$$T_J \text{ max} = T_A \text{ max} + (P_D \text{ max} \times \Theta_{JA})$$

Where:

- $T_A \text{ max}$  is the maximum ambient temperature in °C,
- $\Theta_{JA}$  is the package junction-to-ambient thermal resistance, in °C/W,
- $P_D \text{ max}$  is the sum of  $P_{INT \text{ max}}$  and  $P_{I/O \text{ max}}$  ( $P_D \text{ max} = P_{INT \text{ max}} + P_{I/O \text{ max}}$ ),
- $P_{INT \text{ max}}$  is the product of  $I_{DD}$  and  $V_{DD}$ , expressed in Watts. This is the maximum chip internal power.

$P_{I/O \text{ max}}$  represents the maximum power dissipation on output pins where:

$$P_{I/O \text{ max}} = \sum (V_{OL} \times I_{OL}) + \sum ((V_{DDIOx} - V_{OH}) \times I_{OH}),$$

taking into account the actual  $V_{OL} / I_{OL}$  and  $V_{OH} / I_{OH}$  of the I/Os at low and high level in the application.

**Table 118. Package thermal characteristics**

Symbol	Parameter	Value	Unit
$\Theta_{JA}$	Thermal resistance junction-ambient LQFP128 - 14 × 14 mm	43.0	°C/W
	Thermal resistance junction-ambient LQFP100 - 14 × 14 mm	46.2	
	Thermal resistance junction-ambient LQFP80 - 12 × 12 mm	46.8	
	Thermal resistance junction-ambient LQFP64 - 10 × 10 mm	47.9	
	Thermal resistance junction-ambient LQFP48 - 7 × 7 mm	55.2	
	Thermal resistance junction-ambient TFBGA100 - 8 × 8 mm	30.8	
	Thermal resistance junction-board UFBGA121 - 6 × 6 mm	TBD	
	Thermal resistance junction-ambient UFQFPN48 - 7 × 7 mm	26.8	
	Thermal resistance junction-ambient WLCSP81 - 4.02 X 4.27 mm	45	

Table 118. Package thermal characteristics (continued)

Symbol	Parameter	Value	Unit
$\Theta_{JC}$	Thermal resistance junction-case LQFP128 - 14 × 14 mm	7.0	°C/W
	Thermal resistance junction-case LQFP100 - 14 × 14 mm	8.3	
	Thermal resistance junction-case LQFP80 - 12 × 12 mm	8.2	
	Thermal resistance junction-case LQFP64 - 10 × 10 mm	8.0	
	Thermal resistance junction-case LQFP48 - 7 × 7 mm	9.6	
	Thermal resistance junction-case TFBGA100 - 8 × 8 mm	13	
	Thermal resistance junction-board UFBGA121 - 6 × 6 mm	TBD	
	Thermal resistance junction-case UFQFPN48 - 7 × 7 mm	2 <sup>(1)</sup> 7.5	
	Thermal resistance junction-case WLCSP81 - 4.02 X 4.27 mm	1.46	
$\Theta_{JB}$	Thermal resistance junction-board LQFP128 - 14 × 14 mm	19.9	°C/W
	Thermal resistance junction-board LQFP100 - 14 × 14 mm	22.9	
	Thermal resistance junction-board LQFP80 - 12 × 12 mm	22.3	
	Thermal resistance junction-board LQFP64 - 10 × 10 mm	21.8	
	Thermal resistance junction-board LQFP48 - 7 × 7 mm	24.3	
	Thermal resistance junction-board TFBGA100 - 8 × 8 mm	13.42	
	Thermal resistance junction-board UFBGA121 - 6 × 6 mm	TBD	
	Thermal resistance junction-board UFQFPN48 - 7 × 7 mm	11	
	Thermal resistance junction-board WLCSP81 - 4.02 X 4.27 mm	27.45	

1. Thermal resistance junction-case where the case is the bottom thermal pad on the UFQFPN package.

### 6.10.1 Reference document

JESD51-2 Integrated Circuits Thermal Test Method Environment Conditions - Natural Convection (Still Air). Available from [www.jedec.org](http://www.jedec.org)

## 6.10.2 Selecting the product temperature range

When ordering the microcontroller, the temperature range is specified in the ordering information scheme shown in [Section 7: Ordering information](#).

Each temperature range suffix corresponds to a specific guaranteed ambient temperature at maximum dissipation and, to a specific maximum junction temperature.

As applications do not commonly use the STM32G473xE at maximum dissipation, it is useful to calculate the exact power consumption and junction temperature to determine which temperature range is best suited to the application.

The following examples show how to calculate the temperature range needed for a given application.

### Example 1: High-performance application

Assuming the following application conditions:

Maximum ambient temperature  $T_{Amax} = 82\text{ °C}$  (measured according to JESD51-2),  
 $I_{DDmax} = 50\text{ mA}$ ,  $V_{DD} = 3.5\text{ V}$ , maximum 20 I/Os used at the same time in output at low level with  $I_{OL} = 8\text{ mA}$ ,  $V_{OL} = 0.4\text{ V}$  and maximum 8 I/Os used at the same time in output at low level with  $I_{OL} = 20\text{ mA}$ ,  $V_{OL} = 1.3\text{ V}$

$$P_{INTmax} = 50\text{ mA} \times 3.5\text{ V} = 175\text{ mW}$$

$$P_{IOmax} = 20 \times 8\text{ mA} \times 0.4\text{ V} + 8 \times 20\text{ mA} \times 1.3\text{ V} = 272\text{ mW}$$

This gives:  $P_{INTmax} = 175\text{ mW}$  and  $P_{IOmax} = 272\text{ mW}$ :

$$P_{Dmax} = 175 + 272 = 447\text{ mW}$$

Using the values obtained in  $T_{Jmax}$  is calculated as follows:

– For LQFP100,  $42\text{ °C/W}$

$$T_{Jmax} = 82\text{ °C} + (42\text{ °C/W} \times 447\text{ mW}) = 82\text{ °C} + 18.774\text{ °C} = 100.774\text{ °C}$$

This is within the range of the suffix 6 version parts ( $-40 < T_J < 105\text{ °C}$ ) see [Section 7: Ordering information](#).

In this case, parts must be ordered at least with the temperature range suffix 6 (see [Section 7: Ordering information](#)).

*Note:* With this given  $P_{Dmax}$  we can find the  $T_{Amax}$  allowed for a given device temperature range (order code suffix 6 or 7).

$$\text{Suffix 6: } T_{Amax} = T_{Jmax} - (42\text{ °C/W} \times 447\text{ mW}) = 105 - 18.774 = 86.226\text{ °C}$$

$$\text{Suffix 3: } T_{Amax} = T_{Jmax} - (42\text{ °C/W} \times 447\text{ mW}) = 130 - 18.774 = 111.226\text{ °C}$$

### Example 2: High-temperature application

Using the same rules, it is possible to address applications that run at high ambient temperatures with a low dissipation, as long as junction temperature  $T_J$  remains within the specified range.



Assuming the following application conditions:

Maximum ambient temperature  $T_{Amax} = 100\text{ }^{\circ}\text{C}$  (measured according to JESD51-2),  
 $I_{DDmax} = 20\text{ mA}$ ,  $V_{DD} = 3.5\text{ V}$ , maximum 20 I/Os used at the same time in output at low level with  $I_{OL} = 8\text{ mA}$ ,  $V_{OL} = 0.4\text{ V}$

$$P_{INTmax} = 20\text{ mA} \times 3.5\text{ V} = 70\text{ mW}$$

$$P_{IOmax} = 20 \times 8\text{ mA} \times 0.4\text{ V} = 64\text{ mW}$$

This gives:  $P_{INTmax} = 70\text{ mW}$  and  $P_{IOmax} = 64\text{ mW}$ :

$$P_{Dmax} = 70 + 64 = 134\text{ mW}$$

Thus:  $P_{Dmax} = 134\text{ mW}$

Using the values obtained in  $T_{Jmax}$  is calculated as follows:

– For LQFP100,  $42\text{ }^{\circ}\text{C/W}$

$$T_{Jmax} = 100\text{ }^{\circ}\text{C} + (42\text{ }^{\circ}\text{C/W} \times 134\text{ mW}) = 100\text{ }^{\circ}\text{C} + 5.628\text{ }^{\circ}\text{C} = 105.628\text{ }^{\circ}\text{C}$$

This is above the range of the suffix 6 version parts ( $-40 < T_J < 105\text{ }^{\circ}\text{C}$ ).

In this case, parts must be ordered at least with the temperature range suffix 3 (see [Section 7: Ordering information](#)) unless we reduce the power dissipation in order to be able to use suffix 6 parts.

# 7 Ordering information

**Table 119. Ordering information**

Example:	STM32	G	473	V	E	T	6	x
<b>Device family</b> STM32 = Arm-based 32-bit microcontroller								
<b>Product type</b> G = General-purpose								
<b>Sub-family</b> 47 = STM32G473xB/xC/xE								
<b>Pin count</b> C = 48 pins R = 64 pins M = 80 pins, 81 pins V = 100 pins P = 121 pins Q = 128 pins								
<b>Code size</b> B = 128 Kbyte C = 256 Kbyte E = 512 Kbyte								
<b>Package</b> H = TFBGA I = UFBGA T = LQFP U = UFQFPN Y = WLCSP								
<b>Temperature range</b> 6 = Industrial temperature range, - 40 to 85 °C (105 °C junction) 3 = Industrial temperature range, - 40 to 125 °C (130 °C junction)								
<b>Options</b> xxx = programmed parts TR = tape and reel								

For a list of available options (memory, package, and so on) or for further information on any aspect of this device, contact the nearest ST sales office.

## 8 Revision history

**Table 120. Document revision history**

Date	Revision	Changes
08-May-2019	1	initial release
17-Oct-2019	2	Updated: <ul style="list-style-type: none"> <li>– <i>Section 2: Description, Section 3.5: Embedded SRAM,</i></li> <li>– <i>Table 2: STM32G473xB/xC/xE features and peripheral counts, Table 17: General operating conditions, Table 35: Peripheral current consumption, Table 61: ADC characteristics, Table 62: Maximum ADC RAIN, Table 84: SPI characteristics, Table 118: Package thermal characteristics, Table 119: Ordering information</i></li> </ul> Added: <i>Table 66: ADC accuracy (Multiple ADCs operation) - limited test conditions 1, Table 68: ADC accuracy (Multiple ADCs operation) - limited test conditions 3, Table 68: ADC accuracy (Multiple ADCs operation) - limited test conditions 3</i>

Table 120. Document revision history (continued)

Date	Revision	Changes
30-Oct-2020	3	<p>Updated:</p> <ul style="list-style-type: none"> <li>– <a href="#">Table 1: Device summary</a></li> <li>– <a href="#">Table 12: STM32G473xB/xC/xE pin definition</a></li> <li>– <a href="#">Section 3.18: Analog-to-digital converter (ADC)</a></li> <li>– <a href="#">Table 17: General operating conditions</a></li> <li>– <a href="#">Table 21: Current consumption in Run and Low-power run modes, code with data processing running from Flash in single Bank, ART enable (Cache ON Prefetch OFF)</a></li> <li>– <a href="#">Table 22: Current consumption in Run and Low-power run modes, code with data processing running from Flash in dual bank, ART enable (Cache ON Prefetch OFF)</a></li> <li>– <a href="#">Table 23: Current consumption in Run and Low-power run modes, code with data processing running from SRAM1</a></li> <li>– <a href="#">Table 28: Current consumption in Sleep and Low-power sleep mode Flash ON</a></li> <li>– <a href="#">Table 29: Current consumption in low-power sleep modes, Flash in power-down</a></li> <li>– <a href="#">Table 30: Current consumption in Stop 1 mode</a></li> <li>– <a href="#">Table 31: Current consumption in Stop 0 mode</a></li> <li>– <a href="#">Table 32: Current consumption in Standby mode</a></li> <li>– <a href="#">Table 51: ESD absolute maximum ratings</a></li> <li>– <a href="#">Table 71: DAC 15MSPS characteristics</a></li> <li>– <a href="#">Table 74: COMP characteristics</a></li> <li>– <a href="#">Table 75: OPAMP characteristics</a></li> <li>– <a href="#">Table 79: TIMx characteristics</a></li> <li>– <a href="#">Table 84: SPI characteristics</a></li> <li>– <a href="#">Table 85: I2S characteristics</a></li> <li>– <a href="#">Table 104: QUADSPI characteristics in DDR mode</a></li> <li>– <a href="#">Table 116: UFBGA121 - mechanical data</a></li> <li>– <a href="#">Table 117: UFBGA121 - recommended PCB design rules</a></li> <li>– <a href="#">Table 118: Package thermal characteristics</a></li> <li>– <a href="#">Table 119: Ordering information</a></li> <li>– <a href="#">Figure 76: UFBGA121 - outline</a></li> <li>– <a href="#">Figure 77: UFBGA121 - recommended footprint</a></li> </ul> <p>Added:</p> <ul style="list-style-type: none"> <li>– <a href="#">Figure 74: LQFP128 - recommended footprint</a></li> <li>– <a href="#">Table 13: STM32G473xB/xC/xE UFBGA121 pinout,</a></li> <li>– <a href="#">Table 116: UFBGA121 - mechanical data</a></li> <li>– <a href="#">Table 117: UFBGA121 - recommended PCB design rules</a></li> <li>– <a href="#">Table 76: UFBGA121 - outline</a></li> <li>– <a href="#">Table 77: UFBGA121 - recommended footprint</a></li> </ul>

**IMPORTANT NOTICE – PLEASE READ CAREFULLY**

STMicroelectronics NV and its subsidiaries (“ST”) reserve the right to make changes, corrections, enhancements, modifications, and improvements to ST products and/or to this document at any time without notice. Purchasers should obtain the latest relevant information on ST products before placing orders. ST products are sold pursuant to ST’s terms and conditions of sale in place at the time of order acknowledgement.

Purchasers are solely responsible for the choice, selection, and use of ST products and ST assumes no liability for application assistance or the design of Purchasers’ products.

No license, express or implied, to any intellectual property right is granted by ST herein.

Resale of ST products with provisions different from the information set forth herein shall void any warranty granted by ST for such product.

ST and the ST logo are trademarks of ST. For additional information about ST trademarks, please refer to [www.st.com/trademarks](http://www.st.com/trademarks). All other product or service names are the property of their respective owners.

Information in this document supersedes and replaces information previously supplied in any prior versions of this document.

© 2020 STMicroelectronics – All rights reserved