



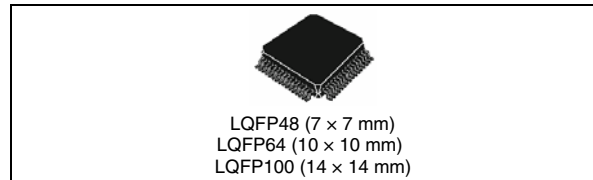
STM32F302xB STM32F302xC STM32F303xB STM32F303xC

ARM Cortex-M4F 32b MCU+FPU, up to 256KB Flash+48KB SRAM
4 ADCs, 2 DAC ch., 7 comp, 4 PGA, timers, 2.0-3.6 V operation

Datasheet – production data

Features

- Core: ARM® 32-bit Cortex™-M4F CPU (72 MHz max), single-cycle multiplication and HW division, DSP instruction with FPU (floating-point unit) and MPU (memory protection unit).
- Operating conditions:
 - V_{DD} , V_{DDA} voltage range: 2.0 V to 3.6 V
- Memories
 - 128 to 256 Kbytes of Flash memory
 - Up to 40 Kbytes of SRAM on data bus with HW parity check
 - 8 Kbytes of SRAM on instruction bus with HW parity check (CCM)
- CRC calculation unit
- Reset and supply management
 - Power-on/Power down reset (POR/PDR)
 - Programmable voltage detector (PVD)
 - Low power modes: Sleep, Stop and Standby
 - V_{BAT} supply for RTC and backup registers
- Clock management
 - 4 to 32 MHz crystal oscillator
 - 32 kHz oscillator for RTC with calibration
 - Internal 8 MHz RC with x 16 PLL option
 - Internal 40 kHz oscillator
- Up to 87 fast I/Os
 - All mappable on external interrupt vectors
 - Several 5 V-tolerant
- 12-channel DMA controller
- Up to four ADC 0.20 μ S (up to 39 channels) with selectable resolution of 12/10/8/6 bits, 0 to 3.6 V conversion range, separate analog supply from 2 to 3.6 V
- Up to two 12-bit DAC channels with analog supply from 2.4 to 3.6 V
- Seven fast rail-to-rail analog comparators with analog supply from 2 to 3.6 V
- Up to four operational amplifiers that can be used in PGA mode, all terminal accessible with analog supply from 2.4 to 3.6 V
- Up to 24 capacitive sensing channels supporting touchkey, linear and rotary touch sensors



- Up to 13 timers
 - One 32-bit timer and two 16-bit timers with up to 4 IC/OC/PWM or pulse counter and quadrature (incremental) encoder input
 - Up to two 16-bit 6-channel advanced-control timers, with up to 6 PWM channels, deadtime generation and emergency stop
 - One 16-bit timer with 2 IC/OCs, 1 OCN/PWM, deadtime generation and emergency stop
 - Two 16-bit timers with IC/OC/OCN/PWM, deadtime generation and emergency stop
 - Two watchdog timers (independent, window)
 - SysTick timer: 24-bit downcounter
 - Up to two 16-bit basic timers to drive the DAC
- Calendar RTC with Alarm, periodic wakeup from Stop/Standby
- Communication interfaces
 - CAN interface (2.0B Active)
 - Two I²C Fast mode plus (1 Mbit/s) with 20 mA current sink, SMBus/PMBus, wakeup from STOP
 - Up to five USART/UARTs (ISO 7816 interface, LIN, IrDA, modem control)
 - Up to three SPIs, two with multiplexed I²S interface, 4 to 16 programmable bit frame
 - USB 2.0 full speed interface
 - Infrared Transmitter
- Serial wire debug, JTAG, Cortex-M4F ETM
- 96-bit unique ID

Table 1. Device summary

Reference	Part number
STM32F302xx	STM32F302CB, STM32F302CC, STM32F302RB, STM32F302RC, STM32F302VB, STM32F302VC
STM32F303xx	STM32F303CB, STM32F303CC, STM32F303RB, STM32F303RC, STM32F303VB, STM32F303VC

Contents

- 1 Introduction 8**
- 2 Description 9**
- 3 Functional overview 13**
 - 3.1 ARM® Cortex™-M4F core with embedded Flash and SRAM 13
 - 3.2 Memory protection unit (MPU) 13
 - 3.3 Embedded Flash memory 13
 - 3.4 Embedded SRAM 14
 - 3.5 Boot modes 14
 - 3.6 Cyclic redundancy check (CRC) 14
 - 3.7 Power management 15
 - 3.7.1 Power supply schemes 15
 - 3.7.2 Power supply supervisor 15
 - 3.7.3 Voltage regulator 15
 - 3.7.4 Low-power modes 16
 - 3.8 Clocks and startup 17
 - 3.9 General-purpose input/outputs (GPIOs) 19
 - 3.10 Direct memory access (DMA) 19
 - 3.11 Interrupts and events 19
 - 3.11.1 Nested vectored interrupt controller (NVIC) 19
 - 3.12 Fast analog-to-digital converter (ADC) 20
 - 3.12.1 Temperature sensor 20
 - 3.12.2 Internal voltage reference (V_{REFINT}) 20
 - 3.12.3 V_{BAT} battery voltage monitoring 21
 - 3.12.4 OPAMP reference voltage (VOPAMP) 21
 - 3.13 Digital-to-analog converter (DAC) 22
 - 3.14 Operational amplifier (OPAMP) 22
 - 3.15 Fast comparators (COMP) 22
 - 3.16 Timers and watchdogs 23
 - 3.16.1 Advanced timers (TIM1, TIM8) 23
 - 3.16.2 General-purpose timers (TIM2, TIM3, TIM4, TIM15, TIM16, TIM17) .. 24
 - 3.16.3 Basic timers (TIM6, TIM7) 24

3.16.4	Independent watchdog (IWDG)	24
3.16.5	Window watchdog (WWDG)	25
3.16.6	SysTick timer	25
3.17	Real-time clock (RTC) and backup registers	25
3.18	Inter-integrated circuit interface (I ² C)	26
3.19	Universal synchronous/asynchronous receiver transmitter (USART)	27
3.20	Universal asynchronous receiver transmitter (UART)	27
3.21	Serial peripheral interface (SPI)/Inter-integrated sound interfaces (I2S)	28
3.22	Controller area network (CAN)	28
3.23	Universal serial bus (USB)	28
3.24	Infrared Transmitter	28
3.25	Touch sensing controller (TSC)	29
3.26	Development support	30
3.26.1	Serial wire JTAG debug port (SWJ-DP)	30
3.26.2	Embedded trace macrocell™	30
4	Pinouts and pin description	32
5	Memory mapping	50
6	Electrical characteristics	53
6.1	Parameter conditions	53
6.1.1	Minimum and maximum values	53
6.1.2	Typical values	53
6.1.3	Typical curves	53
6.1.4	Loading capacitor	53
6.1.5	Pin input voltage	53
6.1.6	Power supply scheme	54
6.1.7	Current consumption measurement	55
6.2	Absolute maximum ratings	56
6.3	Operating conditions	58
6.3.1	General operating conditions	58
6.3.2	Operating conditions at power-up / power-down	59
6.3.3	Embedded reset and power control block characteristics	59
6.3.4	Embedded reference voltage	60
6.3.5	Supply current characteristics	61

6.3.6	Wakeup time from low-power mode	73
6.3.7	External clock source characteristics	74
6.3.8	Internal clock source characteristics	80
6.3.9	PLL characteristics	81
6.3.10	Memory characteristics	82
6.3.11	EMC characteristics	83
6.3.12	Electrical sensitivity characteristics	84
6.3.13	I/O current injection characteristics	85
6.3.14	I/O port characteristics	87
6.3.15	NRST pin characteristics	92
6.3.16	Timer characteristics	93
6.3.17	Communications interfaces	96
6.3.18	ADC characteristics	105
6.3.19	DAC electrical specifications	112
6.3.20	Comparator characteristics	114
6.3.21	Operational amplifier characteristics	116
6.3.22	Temperature sensor characteristics	118
6.3.23	V _{BAT} monitoring characteristics	118
7	Package characteristics	119
7.1	Package mechanical data	119
7.2	Thermal characteristics	126
7.2.1	Reference document	126
7.2.2	Selecting the product temperature range	127
8	Part numbering	129
9	Revision history	130

List of tables

Table 1.	Device summary	1
Table 2.	STM32F30xB/C family device features and peripheral counts	10
Table 3.	Timer feature comparison	23
Table 4.	Comparison of I2C analog and digital filters	26
Table 5.	STM32F30xB/C I ² C implementation	26
Table 6.	USART features	27
Table 7.	STM32F30xB/C SPI/I2S implementation	28
Table 8.	Capacitive sensing GPIOs available on STM32F302xx/STM32F303xx devices	29
Table 9.	No. of capacitive sensing channels available on STM32F302xx/STM32F303xx devices	30
Table 10.	Legend/abbreviations used in the pinout table	35
Table 11.	STM32F302xx/STM32F303xx pin definitions	36
Table 12.	Alternate functions for port A	42
Table 13.	Alternate functions for port B	44
Table 14.	Alternate functions for port C	46
Table 15.	Alternate functions for port D	47
Table 16.	Alternate functions for port E	48
Table 17.	Alternate functions for port F	49
Table 18.	STM32F30xB/C memory map and peripheral register boundary addresses	51
Table 19.	Voltage characteristics	56
Table 20.	Current characteristics	57
Table 21.	Thermal characteristics	57
Table 22.	General operating conditions	58
Table 23.	Operating conditions at power-up / power-down	59
Table 24.	Embedded reset and power control block characteristics	59
Table 25.	Programmable voltage detector characteristics	60
Table 26.	Embedded internal reference voltage	60
Table 27.	Internal reference voltage calibration values	61
Table 28.	Typical and maximum current consumption from V _{DD} supply at V _{DD} = 3.6V	62
Table 29.	Typical and maximum current consumption from the V _{DDA} supply	63
Table 30.	Typical and maximum V _{DD} consumption in Stop and Standby modes	65
Table 31.	Typical and maximum V _{DDA} consumption in Stop and Standby modes	65
Table 32.	Typical and maximum current consumption from V _{BAT} supply	66
Table 33.	Typical current consumption in Run mode, code with data processing running from Flash	67
Table 34.	Typical current consumption in Sleep mode, code running from Flash or RAM	68
Table 35.	Switching output I/O current consumption	70
Table 36.	Peripheral current consumption	71
Table 37.	Low-power mode wakeup timings	73
Table 38.	High-speed external user clock characteristics	74
Table 39.	Low-speed external user clock characteristics	75
Table 40.	HSE oscillator characteristics	76
Table 41.	LSE oscillator characteristics (f _{LSE} = 32.768 kHz)	78
Table 42.	HSI oscillator characteristics	80
Table 43.	LSI oscillator characteristics	81
Table 44.	PLL characteristics	81
Table 45.	Flash memory characteristics	82
Table 46.	Flash memory endurance and data retention	82
Table 47.	EMS characteristics	83
Table 48.	EMI characteristics	84

Table 49.	ESD absolute maximum ratings	84
Table 50.	Electrical sensitivities	85
Table 51.	I/O current injection susceptibility	86
Table 52.	I/O static characteristics	87
Table 53.	Output voltage characteristics	90
Table 54.	I/O AC characteristics	91
Table 55.	NRST pin characteristics	92
Table 56.	TIMx characteristics	93
Table 57.	IWDG min/max timeout period at 40 kHz (LSI)	95
Table 58.	WWDG min-max timeout value @72 MHz (PCLK)	95
Table 59.	I ² C characteristics	96
Table 60.	I2C analog filter characteristics	96
Table 61.	SPI characteristics	98
Table 62.	I ² S characteristics	100
Table 63.	USB startup time	102
Table 64.	USB DC electrical characteristics	103
Table 65.	USB: Full-speed electrical characteristics	104
Table 66.	ADC characteristics	105
Table 67.	Maximum ADC RAIN	106
Table 68.	ADC accuracy - limited test conditions	107
Table 69.	ADC accuracy	109
Table 70.	DAC characteristics	112
Table 71.	Comparator characteristics	114
Table 72.	Operational amplifier characteristics	116
Table 73.	TS characteristics	118
Table 74.	Temperature sensor calibration values	118
Table 75.	V _{BAT} monitoring characteristics	118
Table 76.	LQPF100 – 14 x 14 mm, low-profile quad flat package mechanical data	120
Table 77.	LQFP64 – 10 x 10 mm low-profile quad flat package mechanical data	122
Table 78.	LQFP48 – 7 x 7 mm, 48-pin low-profile quad flat package mechanical data	124
Table 79.	Package thermal characteristics	126
Table 80.	Ordering information scheme	129
Table 81.	Document revision history	130

List of figures

Figure 1.	STM32F302xB/STM32F302xC block diagram	11
Figure 2.	STM32F303xB/STM32F303xC block diagram	12
Figure 3.	Clock tree	18
Figure 4.	Infrared transmitter	29
Figure 5.	STM32F302xx/STM32F303xx LQFP48 pinout	32
Figure 6.	STM32F302xx/STM32F303xx LQFP64 pinout	33
Figure 7.	STM32F302xx/STM32F303xx LQFP100 pinout	34
Figure 8.	STM32F30xB/C memory map	50
Figure 9.	Pin loading conditions	53
Figure 10.	Pin input voltage	53
Figure 11.	Power supply scheme	54
Figure 12.	Current consumption measurement scheme	55
Figure 13.	Typical V_{BAT} current consumption (LSE and RTC ON/LSEDRV[1:0] = '00')	66
Figure 14.	High-speed external clock source AC timing diagram	74
Figure 15.	Low-speed external clock source AC timing diagram	75
Figure 16.	Typical application with an 8 MHz crystal	77
Figure 17.	Typical application with a 32.768 kHz crystal	79
Figure 18.	HSI oscillator accuracy characterization results	80
Figure 19.	TC and TTA I/O input characteristics - CMOS port	88
Figure 20.	TC and TTA I/O input characteristics - TTL port	88
Figure 21.	Five volt tolerant (FT and FTf) I/O input characteristics - CMOS port	88
Figure 22.	Five volt tolerant (FT and FTf) I/O input characteristics - TTL port	89
Figure 23.	I/O AC characteristics definition	92
Figure 24.	Recommended NRST pin protection	93
Figure 25.	I ² C bus AC waveforms and measurement circuit	97
Figure 26.	SPI timing diagram - slave mode and CPHA = 0	99
Figure 27.	SPI timing diagram - slave mode and CPHA = 1 ⁽¹⁾	99
Figure 28.	SPI timing diagram - master mode ⁽¹⁾	100
Figure 29.	I ² S slave timing diagram (Philips protocol) ⁽¹⁾	101
Figure 30.	I ² S master timing diagram (Philips protocol) ⁽¹⁾	102
Figure 31.	USB timings: definition of data signal rise and fall time	103
Figure 32.	ADC accuracy characteristics	110
Figure 33.	Typical connection diagram using the ADC	111
Figure 34.	12-bit buffered /non-buffered DAC	113
Figure 35.	LQFP100 – 14 x 14 mm, 100-pin low-profile quad flat package outline	120
Figure 36.	Recommended footprint	121
Figure 37.	LQFP64 – 10 x 10 mm, 64 pin low-profile quad flat package outline	122
Figure 38.	Recommended footprint	123
Figure 39.	LQFP48 – 7 x 7 mm, 48-pin low-profile quad flat package outline	124
Figure 40.	Recommended footprint	125

1 Introduction

This datasheet provides the ordering information and mechanical device characteristics of the STM32F30xB/C microcontrollers.

This STM32F30xB/C datasheet should be read in conjunction with the STM32F30xB/C reference manual. The reference manual is available from the STMicroelectronics website www.st.com.

For information on the Cortex™-M4F core please refer to:

- **Cortex™-M4F Technical Reference Manual**, available from the www.arm.com website at the following address:
<http://infocenter.arm.com/help/index.jsp?topic=/com.arm.doc.subset.cortexm.m4/index.html>
- **STM32F3xxx and STM32F4xxx Cortex-M4 programming manual (PM0214)** available from the www.st.com website at the following address:
http://www.st.com/internet/com/TECHNICAL_RESOURCES/TECHNICAL_LITERATURE/PROGRAMMING_MANUAL/DM00046982.pdf



2 Description

The STM32F302xx/STM32F303xx family is based on the high-performance ARM® Cortex™-M4F 32-bit RISC core operating at a frequency of up to 72 MHz, and embedding a floating point unit (FPU), a memory protection unit (MPU) and an embedded trace macrocell (ETM). The family incorporates high-speed embedded memories (up to 256 Kbytes of Flash memory, up to 48 Kbytes of SRAM) and an extensive range of enhanced I/Os and peripherals connected to two APB buses.

The devices offer up to four fast 12-bit ADCs (5 Msps), up to seven comparators, up to four operational amplifiers, up to two DAC channels, a low-power RTC, up to five general-purpose 16-bit timers, one general-purpose 32-bit timer, and two timers dedicated to motor control. They also feature standard and advanced communication interfaces: up to two I²Cs, up to three SPIs (two SPIs are with multiplexed full-duplex I2Ss on STM32F303xB/STM32F303xC devices), three USARTs, up to two UARTs, CAN and USB. To achieve audio class accuracy, the I2S peripherals can be clocked via an external PLL.

The STM32F302xx/STM32F303xx family operates in the -40 to +85 °C and -40 to +105 °C temperature ranges from a 2.0 to 3.6 V power supply. A comprehensive set of power-saving mode allows the design of low-power applications.

The STM32F302xx/STM32F303xx family offers devices in three packages ranging from 48 pins to 100 pins.

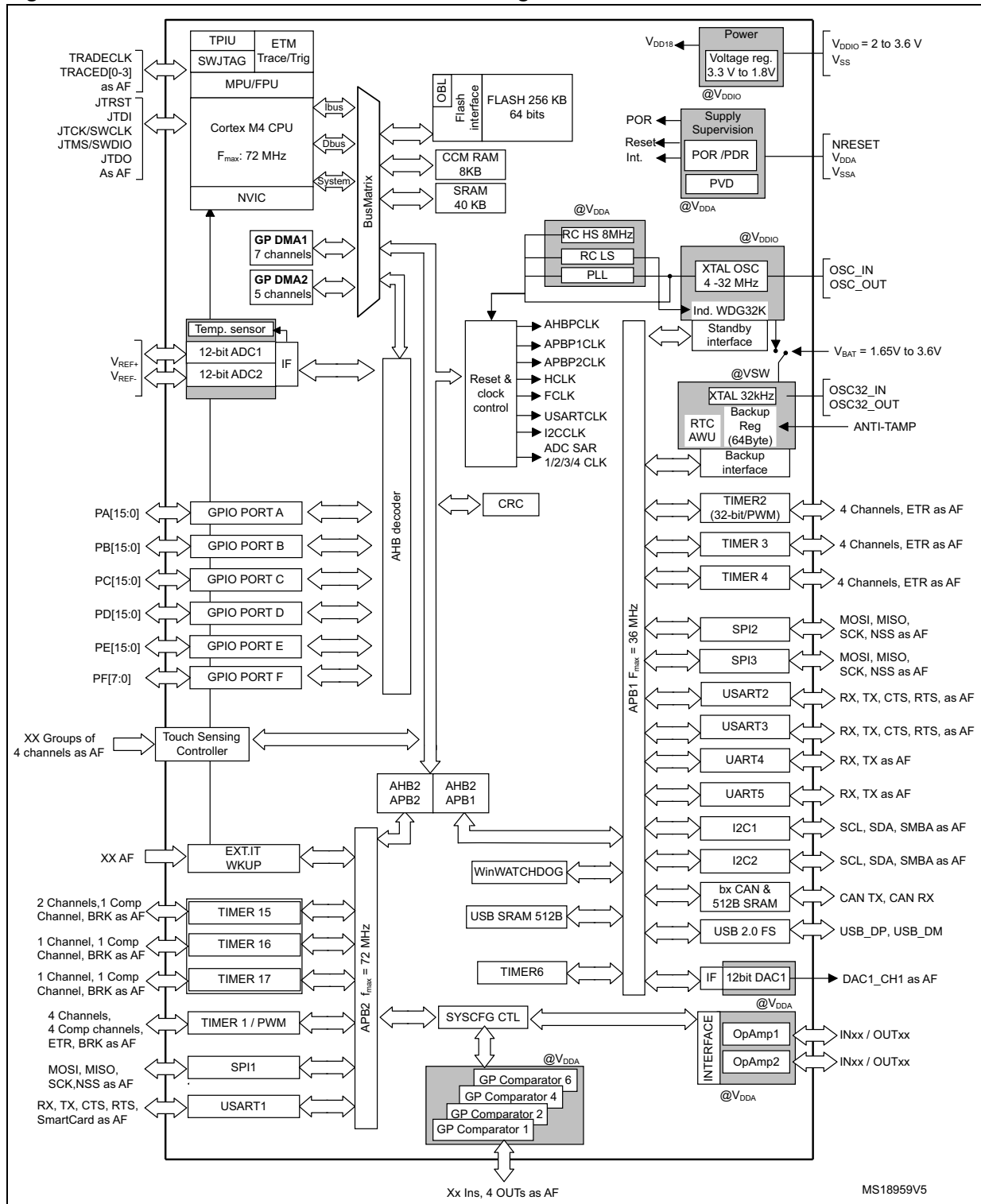
The set of included peripherals changes with the device chosen.

Table 2. STM32F30xB/C family device features and peripheral counts

Peripheral		STM32F302Cx		STM32F302Rx		STM32F302Vx		STM32F303Cx		STM32F303Rx		STM32F303Vx	
Flash (Kbytes)		128	256	128	256	128	256	128	256	128	256	128	256
SRAM (Kbytes) on data bus		24	32	24	32	24	32	32	40	32	40	32	40
SRAM (Kbytes) on instruction bus (CCM: core coupled memory)		8											
Timers	Advanced control	1 (16-bit)						2 (16-bit)					
	General purpose	5 (16-bit) 1 (32-bit)											
	Basic	1 (16-bit)						2 (16-bit)					
Comm. interfaces	SPI(I2S) ⁽¹⁾	3						3(2)					
	I ² C	2											
	USART	3											
	UART	0	2				0	2					
	CAN	1											
	USB	1											
GPIOs	Normal I/Os (TC, TTa)	20	27		45		20	27		45			
	5 volts Tolerant I/Os (FT, FTf)	17	25		42		17	25		42			
DMA channels		12											
Capacitive sensing channels		17	18		24		17	18		24			
12-bit ADCs		2						4					
12-bit DAC channels		1						2					
Analog comparator		4						7					
Operational amplifiers		2						4					
CPU frequency		72 MHz											
Operating voltage		2.0 to 3.6 V											
Operating temperature		Ambient operating temperature: - 40 to 85 °C / - 40 to 105 °C Junction temperature: - 40 to 125 °C											
Packages		LQFP48	LQFP64		LQFP100		LQFP48	LQFP64		LQFP100			

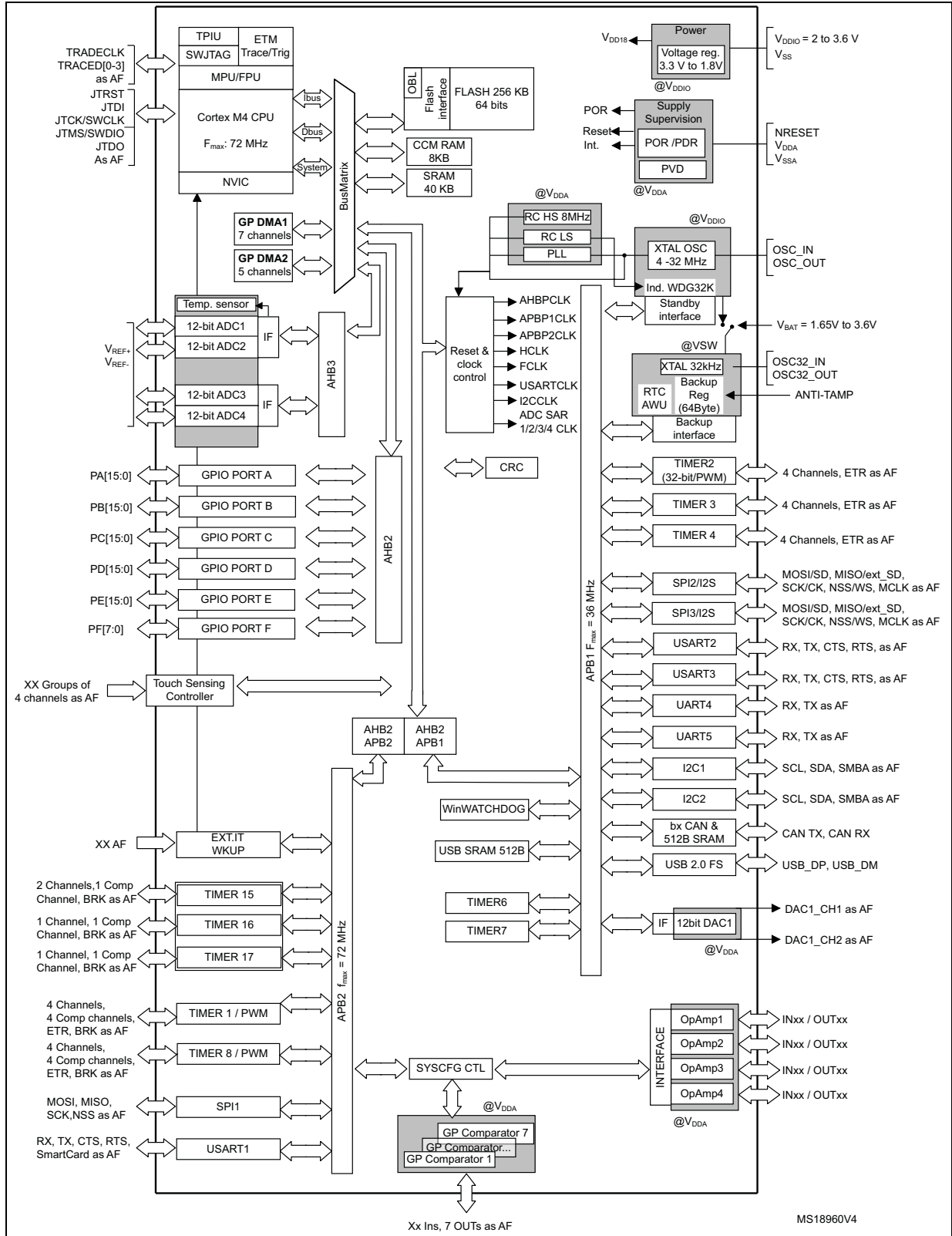
1. In STM32F303xB/STM32F303xC devices the SPI interfaces can work in an exclusive way in either the SPI mode or the I²S audio mode.

Figure 1. STM32F302xB/STM32F302xC block diagram



1. AF: alternate function on I/O pins.

Figure 2. STM32F303xB/STM32F303xC block diagram



1. AF: alternate function on I/O pins.

3 Functional overview

3.1 ARM[®] Cortex[™]-M4F core with embedded Flash and SRAM

The ARM Cortex-M4F processor is the latest generation of ARM processors for embedded systems. It was developed to provide a low-cost platform that meets the needs of MCU implementation, with a reduced pin count and low-power consumption, while delivering outstanding computational performance and an advanced response to interrupts.

The ARM Cortex-M4F 32-bit RISC processor features exceptional code-efficiency, delivering the high-performance expected from an ARM core in the memory size usually associated with 8- and 16-bit devices.

The processor supports a set of DSP instructions which allow efficient signal processing and complex algorithm execution.

Its single precision FPU speeds up software development by using metalanguage development tools, while avoiding saturation.

With its embedded ARM core, the STM32F302xx/STM32F303xx family is compatible with all ARM tools and software.

Figure 1 and *Figure 2* show the general block diagrams of the STM32F302xx/STM32F303xx family devices.

3.2 Memory protection unit (MPU)

The memory protection unit (MPU) is used to separate the processing of tasks from the data protection. The MPU can manage up to 8 protection areas that can all be further divided up into 8 subareas. The protection area sizes are between 32 bytes and the whole 4 gigabytes of addressable memory.

The memory protection unit is especially helpful for applications where some critical or certified code has to be protected against the misbehavior of other tasks. It is usually managed by an RTOS (real-time operating system). If a program accesses a memory location that is prohibited by the MPU, the RTOS can detect it and take action. In an RTOS environment, the kernel can dynamically update the MPU area setting, based on the process to be executed.

The MPU is optional and can be bypassed for applications that do not need it.

3.3 Embedded Flash memory

All STM32F302xx/STM32F303xx devices feature up to 256 Kbytes of embedded Flash memory available for storing programs and data. The Flash memory access time is adjusted to the CPU clock frequency (0 wait state from 0 to 24 MHz, 1 wait state from 24 to 48 MHz and 2 wait states above).

3.4 Embedded SRAM

STM32F302xx/STM32F303xx devices feature up to 48 Kbytes of embedded SRAM with hardware parity check. The memory can be accessed in read/write at CPU clock speed with 0 wait states, allowing the CPU to achieve 90 Dhrystone Mips at 72 MHz (when running code from CCM, core coupled memory).

- 8 Kbytes of SRAM mapped on the instruction bus (Core Coupled Memory (CCM)), used to execute critical routines or to access data (parity check on all of CCM RAM).
- 40 Kbytes of SRAM mapped on the data bus (parity check on first 16 Kbytes of SRAM).

3.5 Boot modes

At startup, Boot0 pin and Boot1 option bit are used to select one of three boot options:

- Boot from user Flash
- Boot from system memory
- Boot from embedded SRAM

The boot loader is located in system memory. It is used to reprogram the Flash memory by using USART1 (PA9/PA10), USART2 (PD5/PD6) or USB (PA11/PA12) through DFU (device firmware upgrade) .

3.6 Cyclic redundancy check (CRC)

The CRC (cyclic redundancy check) calculation unit is used to get a CRC code using a configurable generator polynomial value and size.

Among other applications, CRC-based techniques are used to verify data transmission or storage integrity. In the scope of the EN/IEC 60335-1 standard, they offer a means of verifying the Flash memory integrity. The CRC calculation unit helps compute a signature of the software during runtime, to be compared with a reference signature generated at linktime and stored at a given memory location.

3.7 Power management

3.7.1 Power supply schemes

- V_{SS} , $V_{DD} = 2.0$ to 3.6 V: external power supply for I/Os and the internal regulator. It is provided externally through V_{DD} pins
- V_{SSA} , $V_{DDA} = 2.0$ to 3.6 V: external analog power supply for ADC, DACs, comparators, operational amplifiers, reset blocks, RCs and PLL (minimum voltage to be applied to V_{DDA} is 2.4 V when the DACs and operational amplifiers are used). The V_{DDA} voltage level must be always greater or equal to the V_{DD} voltage level and must be provided first.
- $V_{BAT} = 1.65$ to 3.6 V: power supply for RTC, external clock 32 kHz oscillator and backup registers (through power switch) when V_{DD} is not present.

3.7.2 Power supply supervisor

The device has an integrated power-on reset (POR) and power-down reset (PDR) circuits. They are always active, and ensure proper operation above a threshold of 2 V. The device remains in reset mode when the monitored supply voltage is below a specified threshold, V_{POR}/PDR , without the need for an external reset circuit.

- The POR monitors only the V_{DD} supply voltage. During the startup phase it is required that V_{DDA} should arrive first and be greater than or equal to V_{DD} .
- The PDR monitors both the V_{DD} and V_{DDA} supply voltages, however the V_{DDA} power supply supervisor can be disabled (by programming a dedicated Option bit) to reduce the power consumption if the application design ensures that V_{DDA} is higher than or equal to V_{DD} .

The device features an embedded programmable voltage detector (PVD) that monitors the V_{DD} power supply and compares it to the V_{PVD} threshold. An interrupt can be generated when V_{DD} drops below the V_{PVD} threshold and/or when V_{DD} is higher than the V_{PVD} threshold. The interrupt service routine can then generate a warning message and/or put the MCU into a safe state. The PVD is enabled by software.

3.7.3 Voltage regulator

The regulator has three operation modes: main (MR), low power (LPR), and power-down.

- The MR mode is used in the nominal regulation mode (Run)
- The LPR mode is used in Stop mode.
- The power-down mode is used in Standby mode: the regulator output is in high impedance, and the kernel circuitry is powered down thus inducing zero consumption.

The voltage regulator is always enabled after reset. It is disabled in Standby mode.

3.7.4 Low-power modes

The STM32F302xx/STM32F303xx supports three low power modes to achieve the best compromise between low power consumption, short startup time and available wakeup sources:

- Sleep mode

In Sleep mode, only the CPU is stopped. All peripherals continue to operate and can wake up the CPU when an interrupt/event occurs.

- Stop mode

Stop mode achieves the lowest power consumption while retaining the content of SRAM and registers. All clocks in the 1.8 V domain are stopped, the PLL, the HSI RC and the HSE crystal oscillators are disabled. The voltage regulator can also be put either in normal or in low-power mode.

The device can be woken up from Stop mode by any of the EXTI line. The EXTI line source can be one of the 16 external lines, the PVD output, the USB wakeup on STM32F303xB/STM32F303xC devices, the RTC alarm, COMPx, I2Cx or U(S)ARTx.

- Standby mode

The Standby mode is used to achieve the lowest power consumption. The internal voltage regulator is switched off so that the entire 1.8 V domain is powered off. The PLL, the HSI RC and the HSE crystal oscillators are also switched off. After entering Standby mode, SRAM and register contents are lost except for registers in the Backup domain and Standby circuitry.

The device exits Standby mode when an external reset (NRST pin), an IWDG reset, a rising edge on the WKUP pin or an RTC alarm occurs.

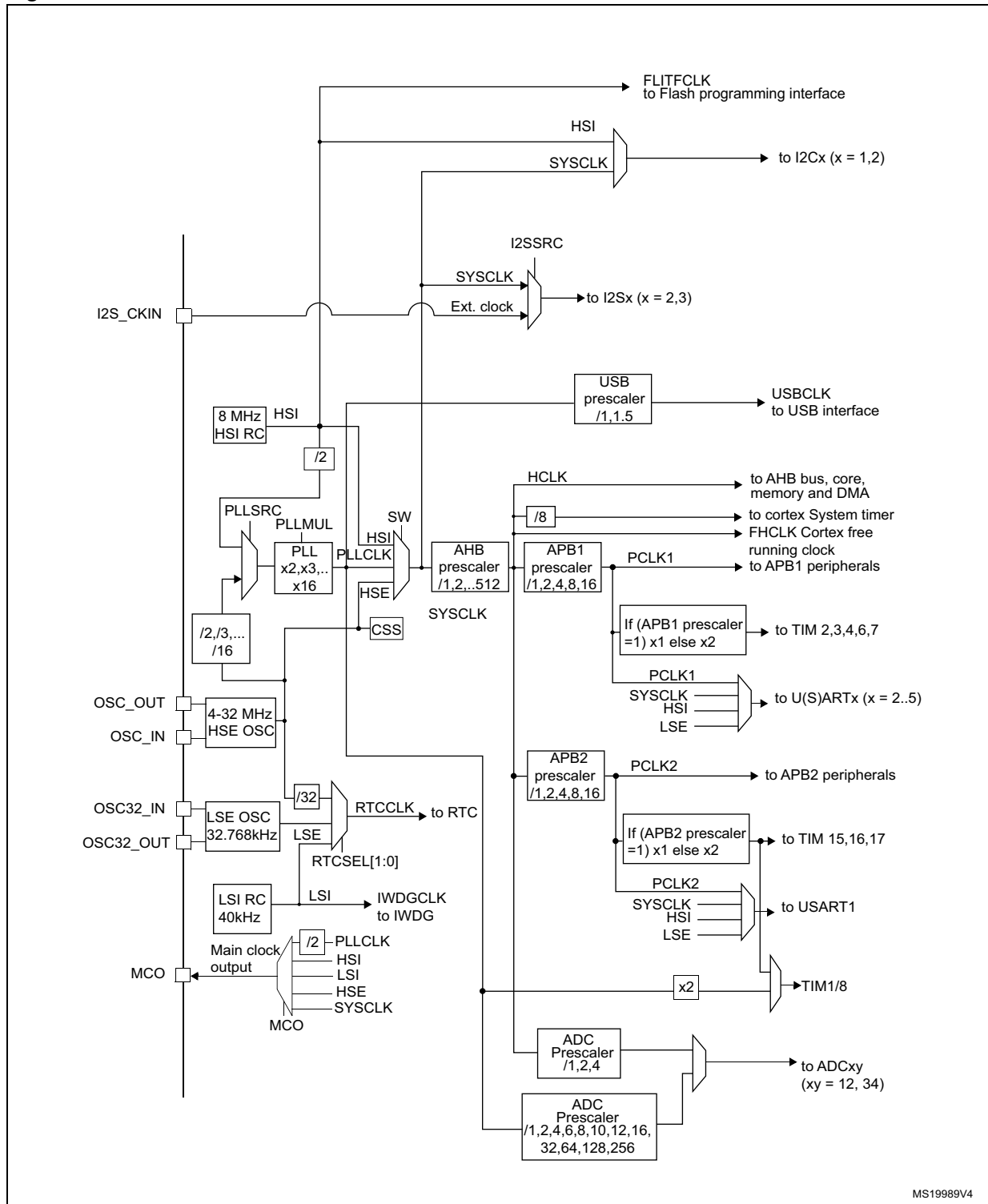
Note: The RTC, the IWDG and the corresponding clock sources are not stopped by entering Stop or Standby mode.

3.8 Clocks and startup

System clock selection is performed on startup, however the internal RC 8 MHz oscillator is selected as default CPU clock on reset. An external 4-32 MHz clock can be selected, in which case it is monitored for failure. If failure is detected, the system automatically switches back to the internal RC oscillator. A software interrupt is generated if enabled. Similarly, full interrupt management of the PLL clock entry is available when necessary (for example with failure of an indirectly used external oscillator).

Several prescalers allow to configure the AHB frequency, the high speed APB (APB2) and the low speed APB (APB1) domains. The maximum frequency of the AHB and the high speed APB domains is 72 MHz, while the maximum allowed frequency of the low speed APB domain is 36 MHz.

Figure 3. Clock tree



MS19989V4

3.9 General-purpose input/outputs (GPIOs)

Each of the GPIO pins can be configured by software as output (push-pull or open-drain), as input (with or without pull-up or pull-down) or as peripheral alternate function. Most of the GPIO pins are shared with digital or analog alternate functions. All GPIOs are high current capable except for analog inputs.

The I/Os alternate function configuration can be locked if needed following a specific sequence in order to avoid spurious writing to the I/Os registers.

3.10 Direct memory access (DMA)

The flexible general-purpose DMA is able to manage memory-to-memory, peripheral-to-memory and memory-to-peripheral transfers. The DMA controller supports circular buffer management, avoiding the generation of interrupts when the controller reaches the end of the buffer.

Each of the 12 DMA channels is connected to dedicated hardware DMA requests, with software trigger support for each channel. Configuration is done by software and transfer sizes between source and destination are independent.

The DMA can be used with the main peripherals: SPI, I²C, USART, general-purpose timers, DAC and ADC.

3.11 Interrupts and events

3.11.1 Nested vectored interrupt controller (NVIC)

The STM32F302xx/STM32F303xx devices embed a nested vectored interrupt controller (NVIC) able to handle up to 66 maskable interrupt channels and 16 priority levels.

The NVIC benefits are the following:

- Closely coupled NVIC gives low latency interrupt processing
- Interrupt entry vector table address passed directly to the core
- Closely coupled NVIC core interface
- Allows early processing of interrupts
- Processing of late arriving higher priority interrupts
- Support for tail chaining
- Processor state automatically saved
- Interrupt entry restored on interrupt exit with no instruction overhead

The NVIC hardware block provides flexible interrupt management features with minimal interrupt latency.

3.12 Fast analog-to-digital converter (ADC)

Up to four fast analog-to-digital converters 5 MSPS, with selectable resolution between 12 and 6 bit, are embedded in the STM32F302xx/STM32F303xx family devices. The ADCs have up to 39 external channels. Some of the external channels are shared between ADC1&2 and between ADC3&4, performing conversions in single-shot or scan modes. In scan mode, automatic conversion is performed on a selected group of analog inputs.

The ADCs have also internal channels: Temperature sensor connected to ADC1 channel 16, $V_{BAT/2}$ connected to ADC1 channel 17, Voltage reference V_{REFINT} connected to the 4 ADCs channel 18, VOPAMP1 connected to ADC1 channel 15, VOPAMP2 connected to ADC2 channel 17, VOPAMP3 connected to ADC3 channel 17, VOPAMP4 connected to ADC4 channel 17.

Additional logic functions embedded in the ADC interface allow:

- Simultaneous sample and hold
- Interleaved sample and hold
- Single-shunt phase current reading techniques.

The ADC can be served by the DMA controller.

An analog watchdog feature allows very precise monitoring of the converted voltage of one, some or all selected channels. An interrupt is generated when the converted voltage is outside the programmed thresholds.

The events generated by the general-purpose timers and the advanced-control timers (TIM1 on all devices and TIM8 on STM32F303xB/STM32F303xC devices) can be internally connected to the ADC start trigger and injection trigger, respectively, to allow the application to synchronize A/D conversion and timers.

3.12.1 Temperature sensor

The temperature sensor (TS) generates a voltage V_{SENSE} that varies linearly with temperature.

The temperature sensor is internally connected to the ADC_IN16 input channel which is used to convert the sensor output voltage into a digital value.

The sensor provides good linearity but it has to be calibrated to obtain good overall accuracy of the temperature measurement. As the offset of the temperature sensor varies from chip to chip due to process variation, the uncalibrated internal temperature sensor is suitable for applications that detect temperature changes only.

To improve the accuracy of the temperature sensor measurement, each device is individually factory-calibrated by ST. The temperature sensor factory calibration data are stored by ST in the system memory area, accessible in read-only mode.

3.12.2 Internal voltage reference (V_{REFINT})

The internal voltage reference (V_{REFINT}) provides a stable (bandgap) voltage output for the ADC and Comparators. V_{REFINT} is internally connected to the ADC_IN18 input channel. The precise voltage of V_{REFINT} is individually measured for each part by ST during production test and stored in the system memory area. It is accessible in read-only mode.

3.12.3 V_{BAT} battery voltage monitoring

This embedded hardware feature allows the application to measure the V_{BAT} battery voltage using the internal ADC channel ADC_IN17. As the V_{BAT} voltage may be higher than V_{DDA} , and thus outside the ADC input range, the V_{BAT} pin is internally connected to a bridge divider by 2. As a consequence, the converted digital value is half the V_{BAT} voltage.

3.12.4 OPAMP reference voltage (VOPAMP)

Every OPAMP reference voltage can be measured using a corresponding ADC internal channel: VOPAMP1 connected to ADC1 channel 15, VOPAMP2 connected to ADC2 channel 17, VOPAMP3 connected to ADC3 channel 17, VOPAMP4 connected to ADC4 channel 17.

3.13 Digital-to-analog converter (DAC)

Up to two 12-bit buffered DAC channels can be used to convert digital signals into analog voltage signal outputs. The chosen design structure is composed of integrated resistor strings and an amplifier in inverting configuration.

This digital interface supports the following features:

- Up to two DAC output channels on STM32F303xB/STM32F303xC devices
- 8-bit or 10-bit monotonic output
- Left or right data alignment in 12-bit mode
- Synchronized update capability on STM32F303xB/STM32F303xC devices
- Noise-wave generation
- Triangular-wave generation
- Dual DAC channel independent or simultaneous conversions on STM32F303xB/STM32F303xC devices
- DMA capability (for each channel on STM32F303xB/STM32F303xC devices)
- External triggers for conversion

3.14 Operational amplifier (OPAMP)

The STM32F302xx/STM32F303xx embeds up to four operational amplifiers with external or internal follower routing and PGA capability (or even amplifier and filter capability with external components). When an operational amplifier is selected, an external ADC channel is used to enable output measurement.

The operational amplifier features:

- 8.2 MHz bandwidth
- 0.5 mA output capability
- Rail-to-rail input/output
- In PGA mode, the gain can be programmed to be 2, 4, 8 or 16.

3.15 Fast comparators (COMP)

The STM32F302xx/STM32F303xx devices embed seven fast rail-to-rail comparators with programmable reference voltage (internal or external), hysteresis and speed (low speed for low power) and with selectable output polarity.

The reference voltage can be one of the following:

- External I/O
- DAC output pin
- Internal reference voltage or submultiple (1/4, 1/2, 3/4). Refer to [Table 26: Embedded internal reference voltage on page 60](#) for the value and precision of the internal reference voltage.

All comparators can wake up from STOP mode, generate interrupts and breaks for the timers and can be also combined per pair into a window comparator

3.16 Timers and watchdogs

The STM32F302xx/STM32F303xx includes up to two advanced control timers, up to 6 general-purpose timers, two basic timers, two watchdog timers and a SysTick timer. The table below compares the features of the advanced control, general purpose and basic timers.

Table 3. Timer feature comparison

Timer type	Timer	Counter resolution	Counter type	Prescaler factor	DMA request generation	Capture/compare Channels	Complementary outputs
Advanced	TIM1, TIM8 (on STM32F303xB /STM32F303xC devices only)	16-bit	Up, Down, Up/Down	Any integer between 1 and 65536	Yes	4	Yes
General-purpose	TIM2	32-bit	Up, Down, Up/Down	Any integer between 1 and 65536	Yes	4	No
General-purpose	TIM3, TIM4	16-bit	Up, Down, Up/Down	Any integer between 1 and 65536	Yes	4	No
General-purpose	TIM15	16-bit	Up	Any integer between 1 and 65536	Yes	2	1
General-purpose	TIM16, TIM17	16-bit	Up	Any integer between 1 and 65536	Yes	1	1
Basic	TIM6, TIM7 (on STM32F303xB /STM32F303xC devices only)	16-bit	Up	Any integer between 1 and 65536	Yes	0	No

3.16.1 Advanced timers (TIM1, TIM8)

The advanced-control timers (TIM1 on all devices and TIM8 on STM32F303xB/STM32F303xC devices) can each be seen as a three-phase PWM multiplexed on 6 channels. They have complementary PWM outputs with programmable inserted dead-times. They can also be seen as complete general-purpose timers. The 4 independent channels can be used for:

- Input capture
- Output compare
- PWM generation (edge or center-aligned modes) with full modulation capability (0-100%)
- One-pulse mode output

In debug mode, the advanced-control timer counter can be frozen and the PWM outputs disabled to turn off any power switches driven by these outputs.

Many features are shared with those of the general-purpose TIM timers (described in [Section 3.16.2](#) using the same architecture, so the advanced-control timers can work together with the TIM timers via the Timer Link feature for synchronization or event chaining.

3.16.2 General-purpose timers (TIM2, TIM3, TIM4, TIM15, TIM16, TIM17)

There are up to six synchronizable general-purpose timers embedded in the STM32F302xx/STM32F303xx (see [Table 3](#) for differences). Each general-purpose timer can be used to generate PWM outputs, or act as a simple time base.

- TIM2, 3, and TIM4

These are full-featured general-purpose timers:

- TIM2 has a 32-bit auto-reload up/downcounter and 32-bit prescaler
- TIM3 and 4 have 16-bit auto-reload up/downcounters and 16-bit prescalers.

These timers all feature 4 independent channels for input capture/output compare, PWM or one-pulse mode output. They can work together, or with the other general-purpose timers via the Timer Link feature for synchronization or event chaining.

The counters can be frozen in debug mode.

All have independent DMA request generation and support quadrature encoders.

- TIM15, 16 and 17

These three timers general-purpose timers with mid-range features:

They have 16-bit auto-reload upcounters and 16-bit prescalers.

- TIM15 has 2 channels and 1 complementary channel
- TIM16 and TIM17 have 1 channel and 1 complementary channel

All channels can be used for input capture/output compare, PWM or one-pulse mode output.

The timers can work together via the Timer Link feature for synchronization or event chaining. The timers have independent DMA request generation.

The counters can be frozen in debug mode.

3.16.3 Basic timers (TIM6, TIM7)

These timers are mainly used for DAC trigger generation. They can also be used as a generic 16-bit time base.

3.16.4 Independent watchdog (IWDG)

The independent watchdog is based on a 12-bit downcounter and 8-bit prescaler. It is clocked from an independent 40 kHz internal RC and as it operates independently from the main clock, it can operate in Stop and Standby modes. It can be used either as a watchdog to reset the device when a problem occurs, or as a free running timer for application timeout management. It is hardware or software configurable through the option bytes. The counter can be frozen in debug mode.

3.16.5 Window watchdog (WWDG)

The window watchdog is based on a 7-bit downcounter that can be set as free running. It can be used as a watchdog to reset the device when a problem occurs. It is clocked from the main clock. It has an early warning interrupt capability and the counter can be frozen in debug mode.

3.16.6 SysTick timer

This timer is dedicated to real-time operating systems, but could also be used as a standard down counter. It features:

- A 24-bit down counter
- Autoreload capability
- Maskable system interrupt generation when the counter reaches 0.
- Programmable clock source

3.17 Real-time clock (RTC) and backup registers

The RTC and the 16 backup registers are supplied through a switch that takes power from either the V_{DD} supply when present or the V_{BAT} pin. The backup registers are sixteen 32-bit registers used to store 64 bytes of user application data when V_{DD} power is not present.

They are not reset by a system or power reset, or when the device wakes up from Standby mode.

The RTC is an independent BCD timer/counter. It supports the following features:

- Calendar with subsecond, seconds, minutes, hours (12 or 24 format), week day, date, month, year, in BCD (binary-coded decimal) format.
- Automatic correction for 28, 29 (leap year), 30 and 31 days of the month.
- Two programmable alarms with wake up from Stop and Standby mode capability.
- On-the-fly correction from 1 to 32767 RTC clock pulses. This can be used to synchronize it with a master clock.
- Digital calibration circuit with 1 ppm resolution, to compensate for quartz crystal inaccuracy.
- Three anti-tamper detection pins with programmable filter. The MCU can be woken up from Stop and Standby modes on tamper event detection.
- Timestamp feature which can be used to save the calendar content. This function can be triggered by an event on the timestamp pin, or by a tamper event. The MCU can be woken up from Stop and Standby modes on timestamp event detection.
- 17-bit Auto-reload counter for periodic interrupt with wakeup from STOP/STANDBY capability.

The RTC clock sources can be:

- A 32.768 kHz external crystal
- A resonator or oscillator
- The internal low-power RC oscillator (typical frequency of 40 kHz)
- The high-speed external clock divided by 32.

3.18 Inter-integrated circuit interface (I²C)

Up to two I²C bus interfaces can operate in multimaster and slave modes. They can support standard (up to 100 KHz), fast (up to 400 KHz) and fast mode + (up to 1 MHz) modes.

Both support 7-bit and 10-bit addressing modes, multiple 7-bit slave addresses (2 addresses, 1 with configurable mask). They also include programmable analog and digital noise filters.

Table 4. Comparison of I2C analog and digital filters

	Analog filter	Digital filter
Pulse width of suppressed spikes	≥ 50 ns	Programmable length from 1 to 15 I2C peripheral clocks
Benefits	Available in Stop mode	1. Extra filtering capability vs. standard requirements. 2. Stable length
Drawbacks	Variations depending on temperature, voltage, process	Disabled when Wakeup from Stop mode is enabled

In addition, they provide hardware support for SMBUS 2.0 and PMBUS 1.1: ARP capability, Host notify protocol, hardware CRC (PEC) generation/verification, timeouts verifications and ALERT protocol management. They also have a clock domain independent from the CPU clock, allowing the I2Cx (x=1,2) to wake up the MCU from Stop mode on address match.

The I2C interfaces can be served by the DMA controller.

Refer to [Table 5](#) for the features available in I2C1 and I2C2.

Table 5. STM32F30xB/C I²C implementation

I2C features ⁽¹⁾	I2C1	I2C2
7-bit addressing mode	X	X
10-bit addressing mode	X	X
Standard mode (up to 100 kbit/s)	X	X
Fast mode (up to 400 kbit/s)	X	X
Fast Mode Plus with 20mA output drive I/Os (up to 1 Mbit/s)	X	X
Independent clock	X	X
SMBus	X	X
Wakeup from STOP	X	X

1. X = supported.

3.19 Universal synchronous/asynchronous receiver transmitter (USART)

The STM32F302xx/STM32F303xx devices have three embedded universal synchronous/asynchronous receiver transmitters (USART1, USART2 and USART3).

The USART interfaces are able to communicate at speeds of up to 9 Mbits/s.

They provide hardware management of the CTS and RTS signals, they support IrDA SIR ENDEC, the multiprocessor communication mode, the single-wire half-duplex communication mode and have LIN Master/Slave capability. The USART interfaces can be served by the DMA controller.

3.20 Universal asynchronous receiver transmitter (UART)

The STM32F302xx/STM32F303xx devices have 2 embedded universal asynchronous receiver transmitters (UART4, and UART5). The UART interfaces support IrDA SIR ENDEC, multiprocessor communication mode and single-wire half-duplex communication mode. The UART interfaces can be served by the DMA controller.

Refer to [Table 6](#) for the features available in all U(S)ARTs interfaces

Table 6. USART features

USART modes/features ⁽¹⁾	USART1	USART2	USART3	UART4	UART5
Hardware flow control for modem	X	X	X		
Continuous communication using DMA	X	X	X	X	X
Multiprocessor communication	X	X	X	X	X
Synchronous mode	X	X	X		
Smartcard mode	X	X	X		
Single-wire half-duplex communication	X	X	X	X	X
IrDA SIR ENDEC block	X	X	X	X	X
LIN mode	X	X	X	X	X
Dual clock domain and wakeup from Stop mode	X	X	X	X	X
Receiver timeout interrupt	X	X	X	X	X
Modbus communication	X	X	X	X	X
Auto baud rate detection	X	X	X		
Driver Enable	X	X	X		

1. X = supported.

3.21 Serial peripheral interface (SPI)/Inter-integrated sound interfaces (I2S)

Up to three SPIs are able to communicate up to 18 Mbits/s in slave and master modes in full-duplex and half-duplex communication modes. The 3-bit prescaler gives 8 master mode frequencies and the frame size is configurable from 4 bits to 16 bits.

Two standard I2S interfaces (multiplexed with SPI2 and SPI3) supporting four different audio standards can operate as master or slave at half-duplex and full duplex communication modes. They can be configured to transfer 16 and 24 or 32 bits with 16-bit or 32-bit data resolution and synchronized by a specific signal. Audio sampling frequency from 8 kHz up to 192 kHz can be set by 8-bit programmable linear prescaler. When operating in master mode it can output a clock for an external audio component at 256 times the sampling frequency.

Refer to [Table 7](#) for the features available in SPI1, SPI2 and SPI3.

Table 7. STM32F30xB/C SPI/I2S implementation

SPI features ⁽¹⁾	SPI1	SPI2	SPI3
Hardware CRC calculation	X	X	X
Rx/Tx FIFO	X	X	X
NSS pulse mode	X	X	X
I2S mode		X	X
TI mode	X	X	X

1. X = supported.

3.22 Controller area network (CAN)

The CAN is compliant with specifications 2.0A and B (active) with a bit rate up to 1 Mbit/s. It can receive and transmit standard frames with 11-bit identifiers as well as extended frames with 29-bit identifiers. It has three transmit mailboxes, two receive FIFOs with 3 stages and 14 scalable filter banks.

3.23 Universal serial bus (USB)

The STM32F302xx/STM32F303xx devices embed an USB device peripheral compatible with the USB full-speed 12 Mbs. The USB interface implements a full-speed (12 Mbit/s) function interface. It has software-configurable endpoint setting and suspend/resume support. The dedicated 48 MHz clock is generated from the internal main PLL (the clock source must use a HSE crystal oscillator). The USB has a dedicated 512-bytes SRAM memory for data transmission and reception.

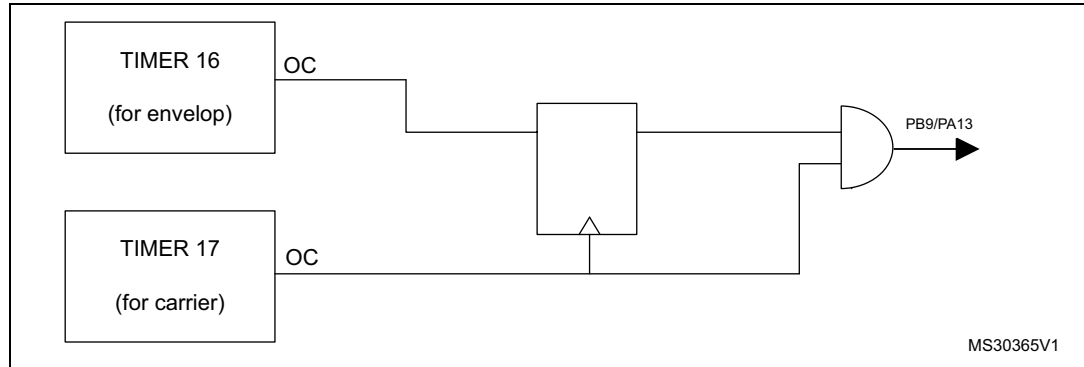
3.24 Infrared Transmitter

The STM32F302xx/STM32F303xx devices provide an infrared transmitter solution. The solution is based on internal connections between TIM16 and TIM17 as shown in the figure below.

TIM17 is used to provide the carrier frequency and TIM16 provides the main signal to be sent. The infrared output signal is available on PB9 or PA13.

To generate the infrared remote control signals, TIM16 channel 1 and TIM17 channel 1 must be properly configured to generate correct waveforms. All standard IR pulse modulation modes can be obtained by programming the two timers output compare channels.

Figure 4. Infrared transmitter



3.25 Touch sensing controller (TSC)

The STM32F302xx/STM32F303xx devices provide a simple solution for adding capacitive sensing functionality to any application. These devices offer up to 24 capacitive sensing channels distributed over 8 analog I/O groups.

Capacitive sensing technology is able to detect the presence of a finger near a sensor which is protected from direct touch by a dielectric (glass, plastic, ...). The capacitive variation introduced by the finger (or any conductive object) is measured using a proven implementation based on a surface charge transfer acquisition principle. It consists of charging the sensor capacitance and then transferring a part of the accumulated charges into a sampling capacitor until the voltage across this capacitor has reached a specific threshold. To limit the CPU bandwidth usage this acquisition is directly managed by the hardware touch sensing controller and only requires few external components to operate.

Table 8. Capacitive sensing GPIOs available on STM32F302xx/STM32F303xx devices

Group	Capacitive sensing signal name	Pin name	Group	Capacitive sensing signal name	Pin name
1	TSC_G1_IO1	PA0	5	TSC_G5_IO1	PB3
	TSC_G1_IO2	PA1		TSC_G5_IO2	PB4
	TSC_G1_IO3	PA2		TSC_G5_IO3	PB6
	TSC_G1_IO4	PA3		TSC_G5_IO4	PB7
2	TSC_G2_IO1	PA4	6	TSC_G6_IO1	PB11
	TSC_G2_IO2	PA5		TSC_G6_IO2	PB12
	TSC_G2_IO3	PA6		TSC_G6_IO3	PB13
	TSC_G2_IO4	PA7		TSC_G6_IO4	PB14

Table 8. Capacitive sensing GPIOs available on STM32F302xx/STM32F303xx devices (continued)

Group	Capacitive sensing signal name	Pin name	Group	Capacitive sensing signal name	Pin name
3	TSC_G3_IO1	PC5	7	TSC_G7_IO1	PE2
	TSC_G3_IO2	PB0		TSC_G7_IO2	PE3
	TSC_G3_IO3	PB1		TSC_G7_IO3	PE4
	TSC_G3_IO4	PB2		TSC_G7_IO4	PE5
4	TSC_G4_IO1	PA9	8	TSC_G8_IO1	PD12
	TSC_G4_IO2	PA10		TSC_G8_IO2	PD13
	TSC_G4_IO3	PA13		TSC_G8_IO3	PD14
	TSC_G4_IO4	PA14		TSC_G8_IO4	PD15

Table 9. No. of capacitive sensing channels available on STM32F302xx/STM32F303xx devices

Analog I/O group	Number of capacitive sensing channels		
	STM32F30xVx	STM32F30xRx	STM32F30xCx
G1	3	3	3
G2	3	3	3
G3	3	3	2
G4	3	3	3
G5	3	3	3
G6	3	3	3
G7	3	0	0
G8	3	0	0
Number of capacitive sensing channels	24	18	17

3.26 Development support

3.26.1 Serial wire JTAG debug port (SWJ-DP)

The ARM SWJ-DP Interface is embedded, and is a combined JTAG and serial wire debug port that enables either a serial wire debug or a JTAG probe to be connected to the target.

The JTAG TMS and TCK pins are shared respectively with SWDIO and SWCLK and a specific sequence on the TMS pin is used to switch between JTAG-DP and SW-DP.

3.26.2 Embedded trace macrocell™

The ARM embedded trace macrocell provides a greater visibility of the instruction and data flow inside the CPU core by streaming compressed data at a very high rate from the

STM32F302xx/STM32F303xx through a small number of ETM pins to an external hardware trace port analyzer (TPA) device. The TPA is connected to a host computer using a high-speed channel. Real-time instruction and data flow activity can be recorded and then formatted for display on the host computer running debugger software. TPA hardware is commercially available from common development tool vendors. It operates with third party debugger software tools.

4 Pinouts and pin description

Figure 5. STM32F302xx/STM32F303xx LQFP48 pinout

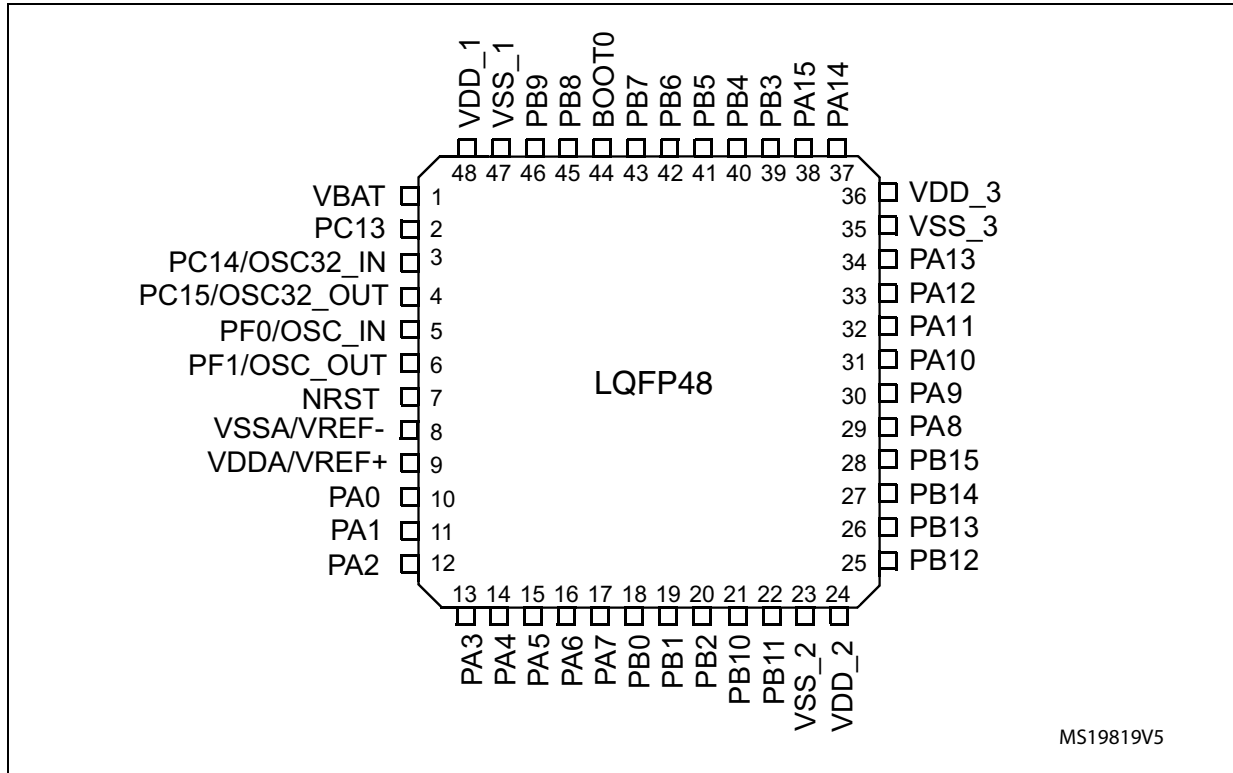


Figure 6. STM32F302xx/STM32F303xx LQFP64 pinout

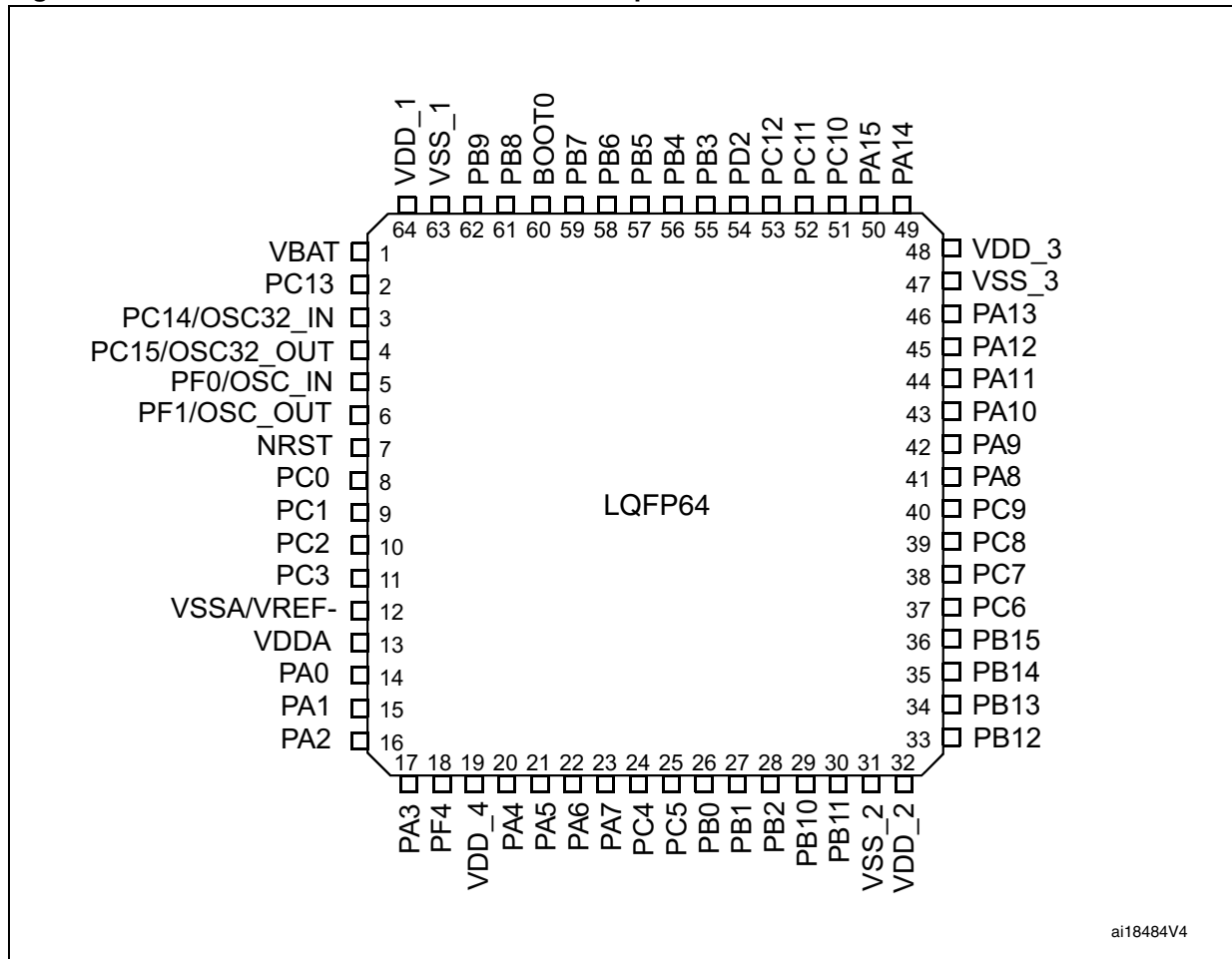
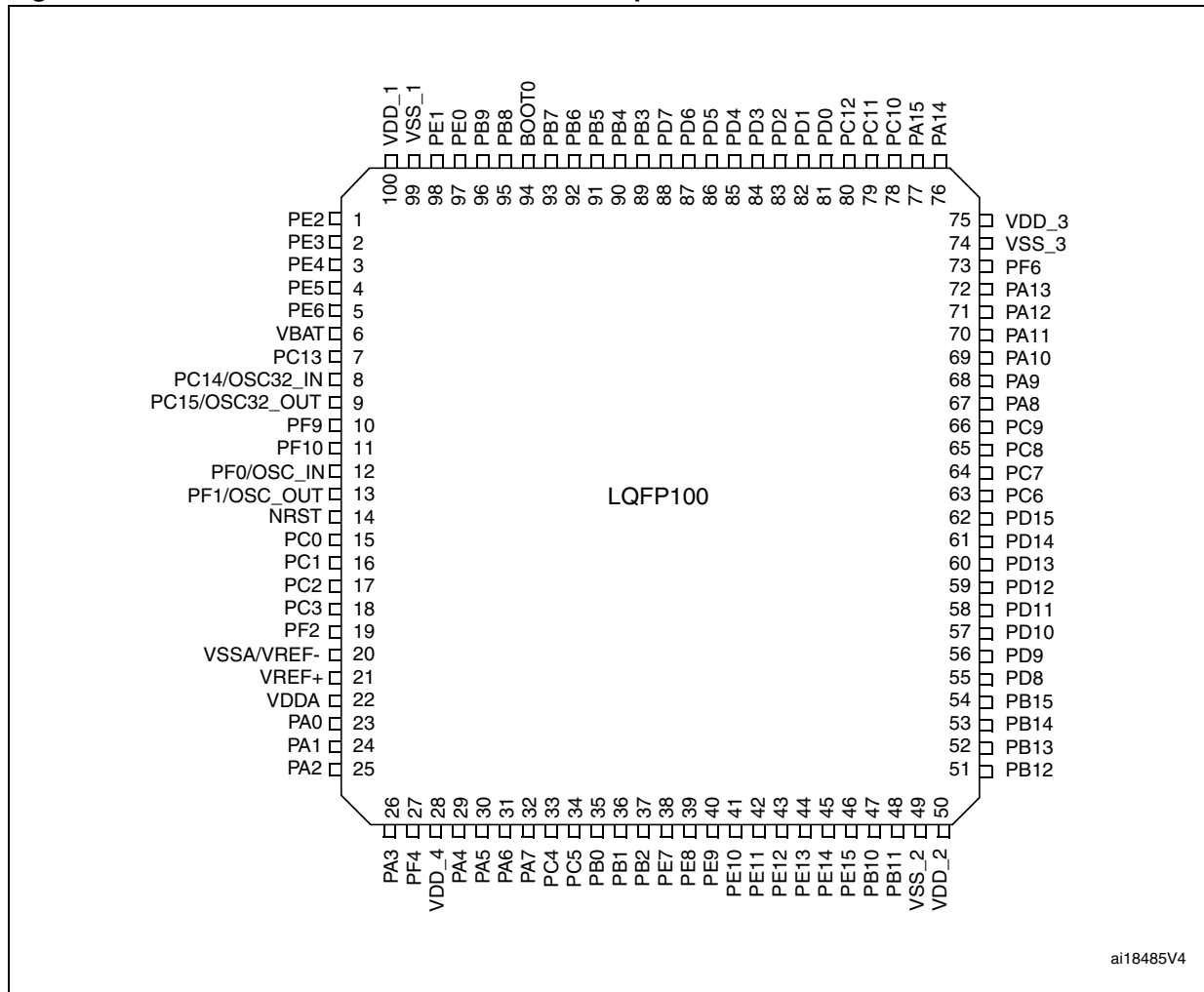


Figure 7. STM32F302xx/STM32F303xx LQFP100 pinout



ai18485V4

Table 10. Legend/abbreviations used in the pinout table

Name		Abbreviation	Definition
Pin name		Unless otherwise specified in brackets below the pin name, the pin function during and after reset is the same as the actual pin name	
Pin type	S		Supply pin
	I		Input only pin
	I/O		Input / output pin
I/O structure	FT		5 V tolerant I/O
	FTf		5 V tolerant I/O, FM+ capable
	TTa		3.3 V tolerant I/O directly connected to ADC
	TC		Standard 3.3V I/O
	B		Dedicated BOOT0 pin
	RST		Bidirectional reset pin with embedded weak pull-up resistor
Notes		Unless otherwise specified by a note, all I/Os are set as floating inputs during and after reset	
Pin functions	Alternate functions	Functions selected through GPIOx_AFR registers	
	Additional functions	Functions directly selected/enabled through peripheral registers	

Table 11. STM32F302xx/STM32F303xx pin definitions

Pin number			Pin name (function after reset)	Pin type	I/O structure	Notes	Pin functions	
LQFP100	LQFP64	LQFP48					Alternate functions	Additional functions
1			PE2	I/O	FT	(1)	TRACECK, TIM3_CH1, TSC_G7_IO1	
2			PE3	I/O	FT	(1)	TRACED0, TIM3_CH2, TSC_G7_IO2	
3			PE4	I/O	FT	(1)	TRACED1, TIM3_CH3, TSC_G7_IO3	
4			PE5	I/O	FT	(1)	TRACED2, TIM3_CH4, TSC_G7_IO4	
5			PE6	I/O	FT	(1)	TRACED3	WKUP3, RTC_TAMP3
6	1	1	V _{BAT}	S			Backup power supply	
7	2	2	PC13 ⁽²⁾	I/O	TC		TIM1_CH1N	WKUP2, RTC_TAMP1, RTC_TS, RTC_OUT
8	3	3	PC14 ⁽²⁾ OSC32_IN (PC14)	I/O	TC			OSC32_IN
9	4	4	PC15 ⁽²⁾ OSC32_ OUT (PC15)	I/O	TC			OSC32_OUT
10			PF9	I/O	FT	(1)	TIM15_CH1, SPI2_SCK	
11			PF10	I/O	FT	(1)	TIM15_CH2, SPI2_SCK	
12	5	5	PF0- OSC_IN (PF0)	I/O	FTf		TIM1_CH3N, I2C2_SDA	OSC_IN
13	6	6	PF1- OSC_OUT (PF1)	I/O	FTf		I2C2_SCL	OSC_OUT
14	7	7	NRST	I/O	RST		Device reset input / internal reset output (active low)	
15	8		PC0	I/O	TTa	(1)		ADC12_IN6, COMP7_INM ⁽³⁾
16	9		PC1	I/O	TTa	(1)		ADC12_IN7, COMP7_INP ⁽³⁾
17	10		PC2	I/O	TTa	(1)	COMP7_OUT ⁽³⁾	ADC12_IN8
18	11		PC3	I/O	TTa	(1)	TIM1_BKIN2	ADC12_IN9
19			PF2	I/O	TTa	(1)		ADC12_IN10
20	12	8	VSSA/ VREF-	S			Analog ground/Negative reference voltage	
21			VREF+	S			Positive reference voltage	
22			VDDA	S			Analog power supply	
	13	9	VDDA/ VREF+	S			Analog power supply/Positive reference voltage	

Table 11. STM32F302xx/STM32F303xx pin definitions (continued)

Pin number			Pin name (function after reset)	Pin type	I/O structure	Notes	Pin functions	
LQFP100	LQFP64	LQFP48					Alternate functions	Additional functions
23	14	10	PA0	I/O	TTa		USART2_CTS, TIM2_CH1_ETR, TIM8_BKIN ⁽³⁾ , TIM8_ETR ⁽³⁾ , TSC_G1_IO1, COMP1_OUT	ADC1_IN1, COMP1_INM, RTC_TAMP2, WKUP1, COMP7_INP ⁽³⁾
24	15	11	PA1	I/O	TTa		USART2_RTS, TIM2_CH2, TSC_G1_IO2, TIM15_CH1N	ADC1_IN2, COMP1_INP, OPAMP1_VINP, OPAMP3_VINP ⁽³⁾
25	16	12	PA2	I/O	TTa		USART2_TX, TIM2_CH3, TIM15_CH1, TSC_G1_IO3, COMP2_OUT	ADC1_IN3, COMP2_INM, OPAMP1_VOUT
26	17	13	PA3	I/O	TTa		USART2_RX, TIM2_CH4, TIM15_CH2, TSC_G1_IO4	ADC1_IN4, OPAMP1_VINP, COMP2_INP, OPAMP1_VINM
27	18		PF4	I/O	TTa	⁽¹⁾	COMP1_OUT	ADC1_IN5
28	19		VDD_4	S				
29	20	14	PA4	I/O	TTa		SPI1_NSS, SPI3_NSS, I2S3_WS ⁽³⁾ , USART2_CK, TSC_G2_IO1, TIM3_CH2	ADC2_IN1, DAC1_OUT1, OPAMP4_VINP ⁽³⁾ , COMP1_INM, COMP2_INM, COMP3_INM ⁽³⁾ , COMP4_INM, COMP5_INM ⁽³⁾ , COMP6_INM, COMP7_INM ⁽³⁾
30	21	15	PA5	I/O	TTa		SPI1_SCK, TIM2_CH1_ETR, TSC_G2_IO2	ADC2_IN2, DAC1_OUT2 ⁽³⁾ OPAMP1_VINP, OPAMP2_VINM, OPAMP3_VINP ⁽³⁾ , COMP1_INM, COMP2_INM, COMP3_INM ⁽³⁾ , COMP4_INM, COMP5_INM ⁽³⁾ , COMP6_INM, COMP7_INM ⁽³⁾
31	22	16	PA6	I/O	TTa		SPI1_MISO, TIM3_CH1, TIM8_BKIN ⁽³⁾ , TIM1_BKIN, TIM16_CH1, COMP1_OUT, TSC_G2_IO3	ADC2_IN3, OPAMP2_VOUT
32	23	17	PA7	I/O	TTa		SPI1_MOSI, TIM3_CH2, TIM17_CH1, TIM1_CH1N, TIM8_CH1N ⁽³⁾ , TSC_G2_IO4, COMP2_OUT	ADC2_IN4, COMP2_INP, OPAMP2_VINP, OPAMP1_VINP
33	24		PC4	I/O	TTa	⁽¹⁾	USART1_TX	ADC2_IN5
34	25		PC5	I/O	TTa	⁽¹⁾	USART1_RX, TSC_G3_IO1	ADC2_IN11, OPAMP2_VINM, OPAMP1_VINM

Table 11. STM32F302xx/STM32F303xx pin definitions (continued)

Pin number			Pin name (function after reset)	Pin type	I/O structure	Notes	Pin functions	
LQFP100	LQFP64	LQFP48					Alternate functions	Additional functions
35	26	18	PB0	I/O	TTa		TIM3_CH3, TIM1_CH2N, TIM8_CH2N ⁽³⁾ , TSC_G3_IO2	ADC3_IN12 ⁽³⁾ , COMP4_INP, OPAMP3_VINP ⁽³⁾ , OPAMP2_VINP
36	27	19	PB1	I/O	TTa		TIM3_CH4, TIM1_CH3N, TIM8_CH3N ⁽³⁾ , COMP4_OUT, TSC_G3_IO3	ADC3_IN1 ⁽³⁾ , OPAMP3_VOUT ⁽³⁾
37	28	20	PB2	I/O	TTa		TSC_G3_IO4	ADC2_IN12, COMP4_INM, OPAMP3_VINM ⁽³⁾
38			PE7	I/O	TTa	(1)	TIM1_ETR	ADC3_IN13 ⁽³⁾ , COMP4_INP
39			PE8	I/O	TTa	(1)	TIM1_CH1N	COMP4_INM, ADC34_IN6 ⁽³⁾
40			PE9	I/O	TTa	(1)	TIM1_CH1	ADC3_IN2 ⁽³⁾
41			PE10	I/O	TTa	(1)	TIM1_CH2N	ADC3_IN14 ⁽³⁾
42			PE11	I/O	TTa	(1)	TIM1_CH2	ADC3_IN15 ⁽³⁾
43			PE12	I/O	TTa	(1)	TIM1_CH3N	ADC3_IN16 ⁽³⁾
44			PE13	I/O	TTa	(1)	TIM1_CH3	ADC3_IN3 ⁽³⁾
45			PE14	I/O	TTa	(1)	TIM1_CH4, TIM1_BKIN2	ADC4_IN1 ⁽³⁾
46			PE15	I/O	TTa	(1)	USART3_RX, TIM1_BKIN	ADC4_IN2 ⁽³⁾
47	29	21	PB10	I/O	TTa		USART3_TX, TIM2_CH3, TSC_SYNC	COMP5_INM ⁽³⁾ , OPAMP4_VINM ⁽³⁾ , OPAMP3_VINM ⁽³⁾
48	30	22	PB11	I/O	TTa		USART3_RX, TIM2_CH4, TSC_G6_IO1	COMP6_INP, OPAMP4_VINP ⁽³⁾
49	31	23	VSS_2	S			Digital ground	
50	32	24	VDD_2	S			Digital power supply	
51	33	25	PB12	I/O	TTa		SPI2_NSS, I2S2_WS ⁽³⁾ , I2C2_SMBA, USART3_CK, TIM1_BKIN, TSC_G6_IO2	ADC4_IN3 ⁽³⁾ , COMP3_INM ⁽³⁾ , OPAMP4_VOUT ⁽³⁾ ,
52	34	26	PB13	I/O	TTa		SPI2_SCK, I2S2_CK ⁽³⁾ , USART3_CTS, TIM1_CH1N, TSC_G6_IO3	ADC3_IN5 ⁽³⁾ , COMP5_INP ⁽³⁾ , OPAMP4_VINP ⁽³⁾ , OPAMP3_VINP ⁽³⁾
53	35	27	PB14	I/O	TTa		SPI2_MISO, I2S2ext_SD ⁽³⁾ , USART3_RTS, TIM1_CH2N, TIM15_CH1, TSC_G6_IO4	COMP3_INP ⁽³⁾ , ADC4_IN4 ⁽³⁾ , OPAMP2_VINP
54	36	28	PB15	I/O	TTa		SPI2_MOSI, I2S2_SD ⁽³⁾ , TIM1_CH3N, TIM15_CH1N, TIM15_CH2	ADC4_IN5 ⁽³⁾ , RTC_REFIN, COMP6_INM
55			PD8	I/O	TTa	(1)	USART3_TX	ADC4_IN12 ⁽³⁾ , OPAMP4_VINM ⁽³⁾
56			PD9	I/O	TTa	(1)	USART3_RX	ADC4_IN13 ⁽³⁾
57			PD10	I/O	TTa	(1)	USART3_CK	ADC34_IN7 ⁽³⁾ , COMP6_INM

Table 11. STM32F302xx/STM32F303xx pin definitions (continued)

Pin number			Pin name (function after reset)	Pin type	I/O structure	Notes	Pin functions	
LQFP100	LQFP64	LQFP48					Alternate functions	Additional functions
58			PD11	I/O	TTa	(1)	USART3_CTS	ADC34_IN8 ⁽³⁾ , COMP6_INP, OPAMP4_VINP ⁽³⁾
59			PD12	I/O	TTa	(1)	USART3_RTS, TIM4_CH1, TSC_G8_IO1	ADC34_IN9 ⁽³⁾ , COMP5_INP ⁽³⁾
60			PD13	I/O	TTa	(1)	TIM4_CH2, TSC_G8_IO2	ADC34_IN10 ⁽³⁾ , COMP5_INM ⁽³⁾
61			PD14	I/O	TTa	(1)	TIM4_CH3, TSC_G8_IO3	COMP3_INP ⁽³⁾ , ADC34_IN11 ⁽³⁾ , OPAMP2_VINP
62			PD15	I/O	TTa	(1)	SPI2_NSS, TIM4_CH4, TSC_G8_IO4	COMP3_INM ⁽³⁾
63	37		PC6	I/O	FT	(1)	I2S2_MCK ⁽³⁾ , COMP6_OUT, TIM8_CH1 ⁽³⁾ , TIM3_CH1	
64	38		PC7	I/O	FT	(1)	I2S3_MCK ⁽³⁾ , TIM8_CH2 ⁽³⁾ , TIM3_CH2, COMP5_OUT ⁽³⁾	
65	39		PC8	I/O	FT	(1)	TIM8_CH3 ⁽³⁾ , TIM3_CH3, COMP3_OUT ⁽³⁾	
66	40		PC9	I/O	FT	(1)	TIM8_CH4 ⁽³⁾ , TIM8_BKIN2 ⁽³⁾ , TIM3_CH4, I2S_CKIN ⁽³⁾	
67	41	29	PA8	I/O	FT		I2C2_SMBA, I2S2_MCK ⁽³⁾ , USART1_CK, TIM1_CH1, TIM4_ETR, MCO, COMP3_OUT ⁽³⁾	
68	42	30	PA9	I/O	FTf		I2C2_SCL, I2S3_MCK ⁽³⁾ , USART1_TX, TIM1_CH2, TIM2_CH3, TIM15_BKIN, TSC_G4_IO1, COMP5_OUT ⁽³⁾	
69	43	31	PA10	I/O	FTf		I2C2_SDA, USART1_RX, TIM1_CH3, TIM2_CH4, TIM8_BKIN ⁽³⁾ , TIM17_BKIN, TSC_G4_IO2, COMP6_OUT	
70	44	32	PA11	I/O	FT		USART1_CTS, USB_DM, CAN_RX, TIM1_CH1N, TIM1_CH4, TIM1_BKIN2, TIM4_CH1, COMP1_OUT	
71	45	33	PA12	I/O	FT		USART1_RTS, USB_DP, CAN_TX, TIM1_CH2N, TIM1_ETR, TIM4_CH2, TIM16_CH1, COMP2_OUT	
72	46	34	PA13	I/O	FT		USART3_CTS, TIM4_CH3, TIM16_CH1N, TSC_G4_IO3, IR_OUT, SWDIO-JTMS	
73			PF6	I/O	FTf	(1)	I2C2_SCL, USART3_RTS, TIM4_CH4	

Table 11. STM32F302xx/STM32F303xx pin definitions (continued)

Pin number			Pin name (function after reset)	Pin type	I/O structure	Notes	Pin functions	
LQFP100	LQFP64	LQFP48					Alternate functions	Additional functions
74	47	35	VSS_3	S			Ground	
75	48	36	VDD_3	S			Digital power supply	
76	49	37	PA14	I/O	FTf		I2C1_SDA, USART2_TX, TIM8_CH2 ⁽³⁾ , TIM1_BKIN, TSC_G4_IO4, SWCLK-JTCK	
77	50	38	PA15	I/O	FTf		I2C1_SCL, SPI1_NSS, SPI3_NSS, I2S3_WS ⁽³⁾ , JTDI, USART2_RX, TIM1_BKIN, TIM2_CH1_ETR, TIM8_CH1 ⁽³⁾	
78	51		PC10	I/O	FT	(1)	SPI3_SCK, I2S3_CK ⁽³⁾ , USART3_TX, UART4_TX, TIM8_CH1N ⁽³⁾	
79	52		PC11	I/O	FT	(1)	SPI3_MISO, I2S3ext_SD ⁽³⁾ , USART3_RX, UART4_RX, TIM8_CH2N ⁽³⁾	
80	53		PC12	I/O	FT	(1)	SPI3_MOSI, I2S3_SD ⁽³⁾ , USART3_CK, UART5_TX, TIM8_CH3N ⁽³⁾	
81			PD0	I/O	FT	(1)	CAN_RX	
82			PD1	I/O	FT	(1)	CAN_TX, TIM8_CH4 ⁽³⁾ , TIM8_BKIN2 ⁽³⁾	
83	54		PD2	I/O	FT	(1)	UART5_RX, TIM3_ETR, TIM8_BKIN ⁽³⁾	
84			PD3	I/O	FT	(1)	USART2_CTS, TIM2_CH1_ETR	
85			PD4	I/O	FT	(1)	USART2_RTS, TIM2_CH2	
86			PD5	I/O	FT	(1)	USART2_TX	
87			PD6	I/O	FT	(1)	USART2_RX, TIM2_CH4	
88			PD7	I/O	FT	(1)	USART2_CK, TIM2_CH3	
89	55	39	PB3	I/O	FT		SPI3_SCK, I2S3_CK ⁽³⁾ , SPI1_SCK, USART2_TX, TIM2_CH2, TIM3_ETR, TIM4_ETR, TIM8_CH1N ⁽³⁾ , TSC_G5_IO1, JTDO-TRACESWO	
90	56	40	PB4	I/O	FT		SPI3_MISO, I2S3ext_SD ⁽³⁾ , SPI1_MISO, USART2_RX, TIM3_CH1, TIM16_CH1, TIM17_BKIN, TIM8_CH2N ⁽³⁾ , TSC_G5_IO2, NJTRST	

Table 11. STM32F302xx/STM32F303xx pin definitions (continued)

Pin number			Pin name (function after reset)	Pin type	I/O structure	Notes	Pin functions	
LQFP100	LQFP64	LQFP48					Alternate functions	Additional functions
91	57	41	PB5	I/O	FT		SPI3_MOSI, SPI1_MOSI, I2S3_SD ⁽³⁾ , I2C1_SMBA, USART2_CK, TIM16_BKIN, TIM3_CH2, TIM8_CH3N ⁽³⁾ , TIM17_CH1	
92	58	42	PB6	I/O	FTf		I2C1_SCL, USART1_TX, TIM16_CH1N, TIM4_CH1, TIM8_CH1 ⁽³⁾ , TSC_G5_IO3, TIM8_ETR ⁽³⁾ , TIM8_BKIN2 ⁽³⁾	
93	59	43	PB7	I/O	FTf		I2C1_SDA, USART1_RX, TIM3_CH4, TIM4_CH2, TIM17_CH1N, TIM8_BKIN ⁽³⁾ , TSC_G5_IO4	
94	60	44	BOOT0	I	B		Boot memory selection	
95	61	45	PB8	I/O	FTf		I2C1_SCL, CAN_RX, TIM16_CH1, TIM4_CH3, TIM8_CH2 ⁽³⁾ , TIM1_BKIN, TSC_SYNC, COMP1_OUT	
96	62	46	PB9	I/O	FTf		I2C1_SDA, CAN_TX, TIM17_CH1, TIM4_CH4, TIM8_CH3 ⁽³⁾ , IR_OUT, COMP2_OUT	
97			PE0	I/O	FT	(1)	USART1_TX, TIM4_ETR, TIM16_CH1	
98			PE1	I/O	FT	(1)	USART1_RX, TIM17_CH1	
99	63	47	VSS_1	S			Ground	
100	64	48	VDD_1	S			Digital power supply	

- Function availability depends on the chosen device. When using the small packages (48 and 64 pin packages), the GPIO pins which are not present on these packages, must not be configured in analog mode.
- PC13, PC14 and PC15 are supplied through the power switch. Since the switch sinks only a limited amount of current (3 mA), the use of GPIO PC13 to PC15 in output mode is limited:
 - The speed should not exceed 2 MHz with a maximum load of 30 pF
 - These GPIOs must not be used as current sources (e.g. to drive an LED).

After the first backup domain power-up, PC13, PC14 and PC15 operate as GPIOs. Their function then depends on the content of the Backup registers which is not reset by the main reset. For details on how to manage these GPIOs, refer to the Battery backup domain and BKP register description sections in the reference manual.
- On STM32F303xx devices only.



Table 12. Alternate functions for port A

Port & Pin Name	AF0	AF1	AF2	AF3	AF4	AF5	AF6	AF7	AF8	AF9	AF10	AF11	AF12	AF14	AF15
PA0		TIM2_CH1_ETR		TSC_G1_IO1				USART2_CTS	COMP1_OUT	TIM8_BKIN	TIM8_ETR				EVENT OUT
PA1		TIM2_CH2		TSC_G1_IO2				USART2_RTS		TIM15_CH1N					EVENT OUT
PA2		TIM2_CH3		TSC_G1_IO3				USART2_TX	COMP2_OUT	TIM15_CH1					EVENT OUT
PA3		TIM2_CH4		TSC_G1_IO4				USART2_RX		TIM15_CH2					EVENT OUT
PA4			TIM3_CH2	TSC_G2_IO1		SPI1_NSS	SPI3_NSS, I2S3_WS	USART2_CK							EVENT OUT
PA5		TIM2_CH1_ETR		TSC_G2_IO2		SPI1_SCK									EVENT OUT
PA6		TIM16_CH1	TIM3_CH1	TSC_G2_IO3	TIM8_BKIN	SPI1_MISO	TIM1_BKIN		COMP1_OUT						EVENT OUT
PA7		TIM17_CH1	TIM3_CH2	TSC_G2_IO4	TIM8_CH1N	SPI1_MOSI	TIM1_CH1N		COMP2_OUT						EVENT OUT
PA8	MCO				I2C2_SMBA	I2S2_MCK	TIM1_CH1	USART1_CK	COMP3_OUT		TIM4_ETR				EVENT OUT
PA9				TSC_G4_IO1	I2C2_SCL	I2S3_MCK	TIM1_CH2	USART1_TX	COMP5_OUT	TIM15_BKIN	TIM2_CH3				EVENT OUT
PA10		TIM17_BKIN		TSC_G4_IO2	I2C2_SDA		TIM1_CH3	USART1_RX	COMP6_OUT		TIM2_CH4	TIM8_BKIN			EVENT OUT
PA11							TIM1_CH1N	USART1_CTS	COMP1_OUT	CAN_RX	TIM4_CH1	TIM1_CH4	TIM1_BKIN2	USB_DM	EVENT OUT



Table 12. Alternate functions for port A (continued)

Port & Pin Name	AF0	AF1	AF2	AF3	AF4	AF5	AF6	AF7	AF8	AF9	AF10	AF11	AF12	AF14	AF15
PA12		TIM16_CH1					TIM1_CH2N	USART1_RTS	COMP2_OUT	CAN_TX	TIM4_CH2	TIM1_ETR		USB_DP	EVENT OUT
PA13	SWDIO-JTMS	TIM16_CH1N		TSC_G4_IO3		IR_OUT		USART3_CTS			TIM4_CH3				EVENT OUT
PA14	SWCLK-JTCK			TSC_G4_IO4	I2C1_SDA	TIM8_CH2	TIM1_BKIN	USART2_TX							EVENT OUT
PA15	JTDI	TIM2_CH1_ETR	TIM8_CH1		I2C1_SCL	SPI1_NSS	SPI3_NSS, I2S3_WS	USART2_RX		TIM1_BKIN					EVENT OUT



Table 13. Alternate functions for port B

Port & Pin Name	AF0	AF1	AF2	AF3	AF4	AF5	AF6	AF7	AF8	AF9	AF10	AF12	AF15
PB0			TIM3_CH3	TSC_G3_IO2	TIM8_CH2N		TIM1_CH2N						EVENT OUT
PB1			TIM3_CH4	TSC_G3_IO3	TIM8_CH3N		TIM1_CH3N		COMP4_OUT				EVENT OUT
PB2				TSC_G3_IO4									EVENT OUT
PB3	JTDO-TRACES WO	TIM2_CH2	TIM4_ETR	TSC_G5_IO1	TIM8_CH1N	SPI1_SCK	SPI3_SCK, I2S3_CK	USART2_TX			TIM3_ETR		EVENT OUT
PB4	NJTRST	TIM16_CH1	TIM3_CH1	TSC_G5_IO2	TIM8_CH2N	SPI1_MISO	SPI3_MISO, I2S3ext_SD	USART2_RX			TIM17_BKIN		EVENT OUT
PB5		TIM16_BKIN	TIM3_CH2	TIM8_CH3N	I2C1_SMBA	SPI1_MOSI	SPI3_MOSI, I2S3_SD	USART2_CK			TIM17_CH1		EVENT OUT
PB6		TIM16_CH1N	TIM4_CH1	TSC_G5_IO3	I2C1_SCL	TIM8_CH1	TIM8_ETR	USART1_TX			TIM8_BKIN2		EVENT OUT
PB7		TIM17_CH1N	TIM4_CH2	TSC_G5_IO4	I2C1_SDA	TIM8_BKIN		USART1_RX			TIM3_CH4		EVENT OUT
PB8		TIM16_CH1	TIM4_CH3	TSC_SYNC	I2C1_SCL				COMP1_OUT	CAN_RX	TIM8_CH2	TIM1_BKIN	EVENT OUT
PB9		TIM17_CH1	TIM4_CH4		I2C1_SDA		IR_OUT		COMP2_OUT	CAN_TX	TIM8_CH3		EVENT OUT
PB10		TIM2_CH3		TSC_SYNC				USART3_TX					EVENT OUT
PB11		TIM2_CH4		TSC_G6_IO1				USART3_RX					EVENT OUT
PB12				TSC_G6_IO2	I2C2_SMBA	SPI2_NSS, I2S2_WS	TIM1_BKIN	USART3_CK					EVENT OUT



Table 13. Alternate functions for port B (continued)

Port & Pin Name	AF0	AF1	AF2	AF3	AF4	AF5	AF6	AF7	AF8	AF9	AF10	AF12	AF15
PB13				TSC_G6_IO3		SPI2_SCK, I2S2_CK	TIM1_CH1N	USART3_CTS					EVENT OUT
PB14		TIM15_CH1		TSC_G6_IO4		SPI2_MISO, I2S2ext_SD	TIM1_CH2N	USART3_RTS					EVENT OUT
PB15		TIM15_CH2	TIM15_CH1N		TIM1_CH3N	SPI2_MOSI, I2S2_SD							EVENT OUT

**Table 14. Alternate functions for port C**

Port & Pin Name	AF1	AF2	AF3	AF4	AF5	AF6	AF7
PC0	EVENTOUT						
PC1	EVENTOUT						
PC2	EVENTOUT		COMP7_OUT				
PC3	EVENTOUT					TIM1_BKIN2	
PC4	EVENTOUT						USART1_TX
PC5	EVENTOUT		TSC_G3_IO1				USART1_RX
PC6	EVENTOUT	TIM3_CH1		TIM8_CH1		I2S2_MCK	COMP6_OUT
PC7	EVENTOUT	TIM3_CH2		TIM8_CH2		I2S3_MCK	COMP5_OUT
PC8	EVENTOUT	TIM3_CH3		TIM8_CH3			COMP3_OUT
PC9	EVENTOUT	TIM3_CH4		TIM8_CH4	I2S_CKIN	TIM8_BKIN2	
PC10	EVENTOUT			TIM8_CH1N	UART4_TX	SPI3_SCK, I2S3_CK	USART3_TX
PC11	EVENTOUT			TIM8_CH2N	UART4_RX	SPI3_MISO, I2S3ext_SD	USART3_RX
PC12	EVENTOUT			TIM8_CH3N	UART5_TX	SPI3_MOSI, I2S3_SD	USART3_CK
PC13				TIM1_CH1N			
PC14							
PC15							

**Table 15. Alternate functions for port D**

Port & Pin Name	AF1	AF2	AF3	AF4	AF5	AF6	AF7
PD0	EVENTOUT						CAN_RX
PD1	EVENTOUT			TIM8_CH4		TIM8_BKIN2	CAN_TX
PD2	EVENTOUT	TIM3_ETR		TIM8_BKIN	UART5_RX		
PD3	EVENTOUT	TIM2_CH1_ETR					USART2_CTS
PD4	EVENTOUT	TIM2_CH2					USART2_RTS
PD5	EVENTOUT						USART2_TX
PD6	EVENTOUT	TIM2_CH4					USART2_RX
PD7	EVENTOUT	TIM2_CH3					USART2_CK
PD8	EVENTOUT						USART3_TX
PD9	EVENTOUT						USART3_RX
PD10	EVENTOUT						USART3_CK
PD11	EVENTOUT						USART3_CTS
PD12	EVENTOUT	TIM4_CH1	TSC_G8_IO1				USART3_RTS
PD13	EVENTOUT	TIM4_CH2	TSC_G8_IO2				
PD14	EVENTOUT	TIM4_CH3	TSC_G8_IO3				
PD15	EVENTOUT	TIM4_CH4	TSC_G8_IO4			SPI2_NSS	

**Table 16. Alternate functions for port E**

Port & Pin Name	AF0	AF1	AF2	AF3	AF4	AF6	AF7
PE0		EVENTOUT	TIM4_ETR		TIM16_CH1		USART1_TX
PE1		EVENTOUT			TIM17_CH1		USART1_RX
PE2	TRACECK	EVENTOUT	TIM3_CH1	TSC_G7_IO1			
PE3	TRACED0	EVENTOUT	TIM3_CH2	TSC_G7_IO2			
PE4	TRACED1	EVENTOUT	TIM3_CH3	TSC_G7_IO3			
PE5	TRACED2	EVENTOUT	TIM3_CH4	TSC_G7_IO4			
PE6	TRACED3	EVENTOUT					
PE7		EVENTOUT	TIM1_ETR				
PE8		EVENTOUT	TIM1_CH1N				
PE9		EVENTOUT	TIM1_CH1				
PE10		EVENTOUT	TIM1_CH2N				
PE11		EVENTOUT	TIM1_CH2				
PE12		EVENTOUT	TIM1_CH3N				
PE13		EVENTOUT	TIM1_CH3				
PE14		EVENTOUT	TIM1_CH4			TIM1_BKIN2	
PE15		EVENTOUT	TIM1_BKIN				USART3_RX



Table 17. Alternate functions for port F

Port & Pin Name	AF1	AF2	AF3	AF4	AF5	AF6	AF7
PF0				I2C2_SDA		TIM1_CH3N	
PF1				I2C2_SCL			
PF2	EVENTOUT						
PF4	EVENTOUT	COMP1_OUT					
PF6	EVENTOUT	TIM4_CH4		I2C2_SCL			USART3_RTS
PF9	EVENTOUT		TIM15_CH1		SPI2_SCK		
PF10	EVENTOUT		TIM15_CH2		SPI2_SCK		

5 Memory mapping

Figure 8. STM32F30xB/C memory map

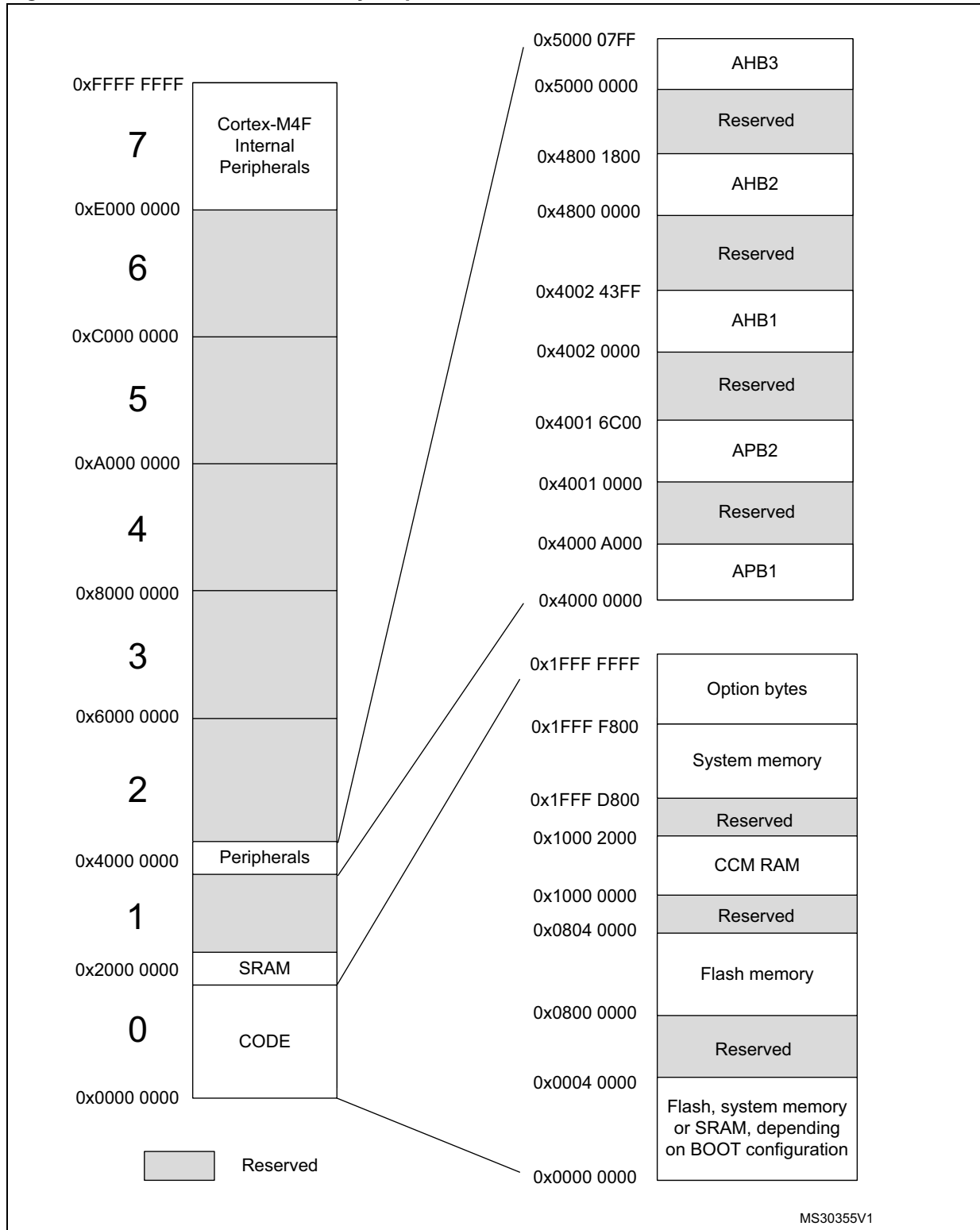


Table 18. STM32F30xB/C memory map and peripheral register boundary addresses

Bus	Boundary address	Size (bytes)	Peripheral
AHB3	0x5000 0400 - 0x5000 07FF	1 K	ADC3 - ADC4
	0x5000 0000 - 0x5000 03FF	1 K	ADC1 - ADC2
	0x4800 1800 - 0x4FFF FFFF	~132 M	Reserved
AHB2	0x4800 1400 - 0x4800 17FF	1 K	GPIOF
	0x4800 1000 - 0x4800 13FF	1 K	GPIOE
	0x4800 0C00 - 0x4800 0FFF	1 K	GPIOD
	0x4800 0800 - 0x4800 0BFF	1 K	GPIOC
	0x4800 0400 - 0x4800 07FF	1 K	GPIOB
	0x4800 0000 - 0x4800 03FF	1 K	GPIOA
	0x4002 4400 - 0x47FF FFFF	~128 M	Reserved
AHB1	0x4002 4000 - 0x4002 43FF	1 K	TSC
	0x4002 3400 - 0x4002 3FFF	3 K	Reserved
	0x4002 3000 - 0x4002 33FF	1 K	CRC
	0x4002 2400 - 0x4002 2FFF	3 K	Reserved
	0x4002 2000 - 0x4002 23FF	1 K	Flash interface
	0x4002 1400 - 0x4002 1FFF	3 K	Reserved
	0x4002 1000 - 0x4002 13FF	1 K	RCC
	0x4002 0800 - 0x4002 0FFF	2 K	Reserved
	0x4002 0400 - 0x4002 07FF	1 K	DMA2
	0x4002 0000 - 0x4002 03FF	1 K	DMA1
	0x4001 8000 - 0x4001 FFFF	32 K	Reserved
APB2	0x4001 4C00 - 0x4001 7FFF	13 K	Reserved
	0x4001 4800 - 0x4001 4BFF	1 K	TIM17
	0x4001 4400 - 0x4001 47FF	1 K	TIM16
	0x4001 4000 - 0x4001 43FF	1 K	TIM15
	0x4001 3C00 - 0x4001 3FFF	1 K	Reserved
	0x4001 3800 - 0x4001 3BFF	1 K	USART1
	0x4001 3400 - 0x4001 37FF	1 K	TIM8
	0x4001 3000 - 0x4001 33FF	1 K	SPI1
	0x4001 2C00 - 0x4001 2FFF	1 K	TIM1
	0x4001 0800 - 0x4001 2BFF	9 K	Reserved
	0x4001 0400 - 0x4001 07FF	1 K	EXTI
	0x4001 0000 - 0x4001 03FF	1 K	SYSCFG + COMP + OPAMP

Table 18. STM32F30xB/C memory map and peripheral register boundary addresses (continued)

Bus	Boundary address	Size (bytes)	Peripheral
	0x4000 8000 - 0x4000 FFFF	32 K	Reserved
APB1	0x4000 7800 - 0x4000 7FFF	2 K	Reserved
	0x4000 7400 - 0x4000 77FF	1 K	DAC (dual)
	0x4000 7000 - 0x4000 73FF	1 K	PWR
	0x4000 6C00 - 0x4000 6FFF	1 K	Reserved
	0x4000 6800 - 0x4000 6BFF	1 K	Reserved
	0x4000 6400 - 0x4000 67FF	1 K	bxCAN
	0x4000 6000 - 0x4000 63FF	1 K	USB SRAM 512 bytes
	0x4000 5C00 - 0x4000 5FFF	1 K	USB device FS
	0x4000 5800 - 0x4000 5BFF	1 K	I2C2
	0x4000 5400 - 0x4000 57FF	1 K	I2C1
	0x4000 5000 - 0x4000 53FF	1 K	UART5
	0x4000 4C00 - 0x4000 4FFF	1 K	UART4
	0x4000 4800 - 0x4000 4BFF	1 K	USART3
	0x4000 4400 - 0x4000 47FF	1 K	USART2
	0x4000 4000 - 0x4000 43FF	1 K	I2S3ext
	0x4000 3C00 - 0x4000 3FFF	1 K	SPI3/I2S3
	0x4000 3800 - 0x4000 3BFF	1 K	SPI2/I2S2
	0x4000 3400 - 0x4000 37FF	1 K	I2S2ext
	0x4000 3000 - 0x4000 33FF	1 K	IWDG
	0x4000 2C00 - 0x4000 2FFF	1 K	WWDG
	0x4000 2800 - 0x4000 2BFF	1 K	RTC
	0x4000 1800 - 0x4000 27FF	4 K	Reserved
	0x4000 1400 - 0x4000 17FF	1 K	TIM7
	0x4000 1000 - 0x4000 13FF	1 K	TIM6
	0x4000 0C00 - 0x4000 0FFF	1 K	Reserved
	0x4000 0800 - 0x4000 0BFF	1 K	TIM4
	0x4000 0400 - 0x4000 07FF	1 K	TIM3
0x4000 0000 - 0x4000 03FF	1 K	TIM2	

6 Electrical characteristics

6.1 Parameter conditions

Unless otherwise specified, all voltages are referenced to V_{SS} .

6.1.1 Minimum and maximum values

Unless otherwise specified, the minimum and maximum values are guaranteed in the worst conditions of ambient temperature, supply voltage and frequencies by tests in production on 100% of the devices with an ambient temperature at $T_A = 25\text{ °C}$ and $T_A = T_{A\text{max}}$ (given by the selected temperature range).

Data based on characterization results, design simulation and/or technology characteristics are indicated in the table footnotes and are not tested in production. Based on characterization, the minimum and maximum values refer to sample tests and represent the mean value plus or minus three times the standard deviation ($\text{mean} \pm 3\sigma$).

6.1.2 Typical values

Unless otherwise specified, typical data are based on $T_A = 25\text{ °C}$, $V_{DD} = V_{DDA} = 3.3\text{ V}$. They are given only as design guidelines and are not tested.

Typical ADC accuracy values are determined by characterization of a batch of samples from a standard diffusion lot over the full temperature range, where 95% of the devices have an error less than or equal to the value indicated ($\text{mean} \pm 2\sigma$).

6.1.3 Typical curves

Unless otherwise specified, all typical curves are given only as design guidelines and are not tested.

6.1.4 Loading capacitor

The loading conditions used for pin parameter measurement are shown in [Figure 9](#).

6.1.5 Pin input voltage

The input voltage measurement on a pin of the device is described in [Figure 10](#).

Figure 9. Pin loading conditions

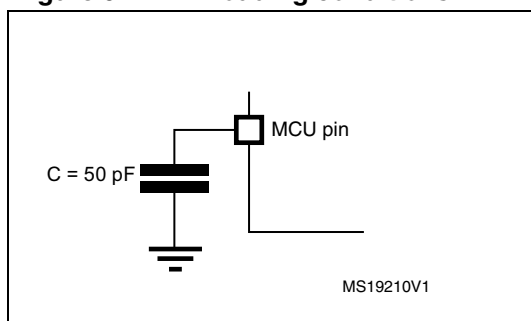
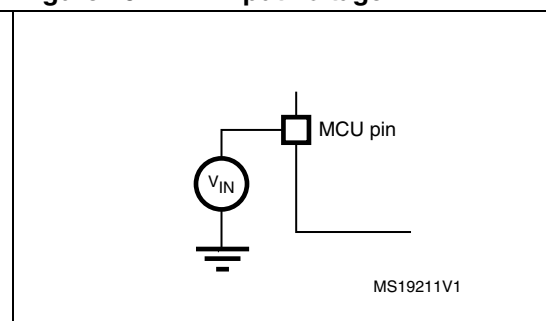
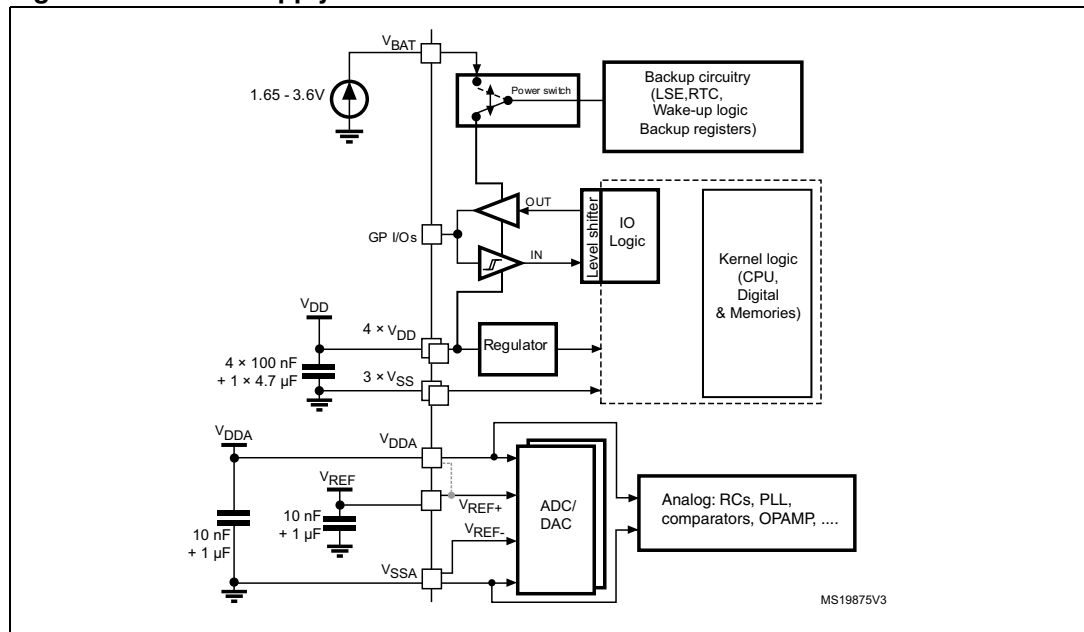


Figure 10. Pin input voltage



6.1.6 Power supply scheme

Figure 11. Power supply scheme

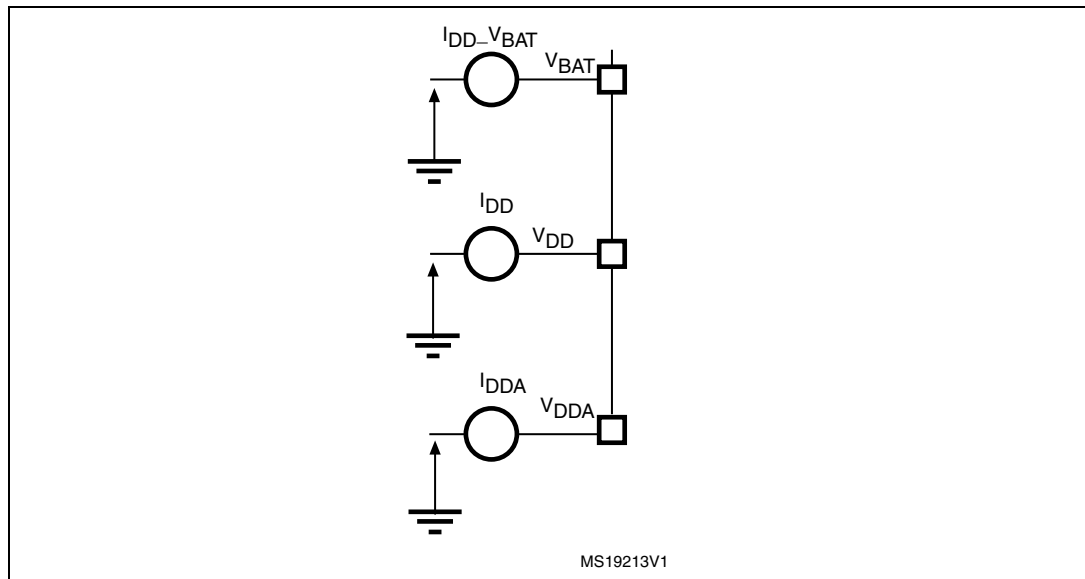


1. Dotted lines represent the internal connections on low pin count packages, joining the dedicated supply pins.

Caution: Each power supply pair (V_{DD}/V_{SS} , V_{DDA}/V_{SSA} etc..) must be decoupled with filtering ceramic capacitors as shown above. These capacitors must be placed as close as possible to, or below the appropriate pins on the underside of the PCB to ensure the good functionality of the device.

6.1.7 Current consumption measurement

Figure 12. Current consumption measurement scheme



6.2 Absolute maximum ratings

Stresses above the absolute maximum ratings listed in [Table 19: Voltage characteristics](#), [Table 20: Current characteristics](#), and [Table 21: Thermal characteristics](#) may cause permanent damage to the device. These are stress ratings only and functional operation of the device at these conditions is not implied. Exposure to maximum rating conditions for extended periods may affect device reliability.

Table 19. Voltage characteristics⁽¹⁾

Symbol	Ratings	Min	Max	Unit
$V_{DD}-V_{SS}$	External main supply voltage (including V_{DDA} , V_{BAT} and V_{DD})	-0.3	4.0	V
$V_{DD}-V_{DDA}$	Allowed voltage difference for $V_{DD} > V_{DDA}$	-	0.4	
$V_{REF+}-V_{DDA}$ ⁽²⁾	Allowed voltage difference for $V_{REF+} > V_{DDA}$	-	0.4	
V_{IN} ⁽³⁾	Input voltage on FT and FTf pins	$V_{SS} - 0.3$	$V_{DD} + 4.0$	
	Input voltage on TTa pins	$V_{SS} - 0.3$	4.0	
	Input voltage on any other pin	$V_{SS} - 0.3$	4.0	
$ ΔV_{DDx} $	Variations between different V_{DD} power pins	-	50	mV
$ V_{SSx} - V_{SS} $	Variations between all the different ground pins	-	50	
$V_{ESD(HBM)}$	Electrostatic discharge voltage (human body model)	see Section 6.3.12: Electrical sensitivity characteristics		

- All main power (V_{DD} , V_{DDA}) and ground (V_{SS} , V_{SSA}) pins must always be connected to the external power supply, in the permitted range. The following relationship must be respected between V_{DDA} and V_{DD} :
 V_{DDA} must power on before or at the same time as V_{DD} in the power up sequence.
 V_{DDA} must be greater than or equal to V_{DD} .
- V_{REF+} must be always lower or equal than V_{DDA} ($V_{REF+} \leq V_{DDA}$). If unused then it must be connected to V_{DDA} .
- V_{IN} maximum must always be respected. Refer to [Table 20: Current characteristics](#) for the maximum allowed injected current values.

Table 20. Current characteristics

Symbol	Ratings	Max.	Unit
$I_{VDD(\Sigma)}$	Total current into sum of all VDD_x power lines (source)	160	mA
$I_{VSS(\Sigma)}$	Total current out of sum of all VSS_x ground lines (sink)	- 160	
I_{VDD}	Maximum current into each VDD_x power line (source) ⁽¹⁾	100	
I_{VSS}	Maximum current out of each VSS_x ground line (sink) ⁽¹⁾	- 100	
$I_{IO(PIN)}$	Output current sunk by any I/O and control pin	25	
	Output current source by any I/O and control pin	- 25	
$\Sigma I_{IO(PIN)}$	Total output current sunk by sum of all IOs and control pins ⁽²⁾	80	
	Total output current sourced by sum of all IOs and control pins ⁽²⁾	- 80	
$I_{INJ(PIN)}$	Injected current on FT, FTf and B pins ⁽³⁾	-5/+0	
	Injected current on TC and RST pin ⁽⁴⁾	± 5	
	Injected current on TTA pins ⁽⁵⁾	± 5	
$\Sigma I_{INJ(PIN)}$	Total injected current (sum of all I/O and control pins) ⁽⁶⁾	± 25	

1. All main power (V_{DD} , V_{DDA}) and ground (V_{SS} and V_{SSA}) pins must always be connected to the external power supply, in the permitted range.
2. This current consumption must be correctly distributed over all I/Os and control pins. The total output current must not be sunk/sourced between two consecutive power supply pins referring to high pin count LQFP packages
3. Positive injection is not possible on these I/Os and does not occur for input voltages lower than the specified maximum value.
4. A positive injection is induced by $V_{IN} > V_{DD}$ while a negative injection is induced by $V_{IN} < V_{SS}$. $I_{INJ(PIN)}$ must never be exceeded. Refer to [Table 19: Voltage characteristics](#) for the maximum allowed input voltage values.
5. A positive injection is induced by $V_{IN} > V_{DDA}$ while a negative injection is induced by $V_{IN} < V_{SS}$. $I_{INJ(PIN)}$ must never be exceeded. Refer also to [Table 19: Voltage characteristics](#) for the maximum allowed input voltage values. Negative injection disturbs the analog performance of the device. See note ⁽²⁾ below [Table 68](#).
6. When several inputs are submitted to a current injection, the maximum $\Sigma I_{INJ(PIN)}$ is the absolute sum of the positive and negative injected currents (instantaneous values).

Table 21. Thermal characteristics

Symbol	Ratings	Value	Unit
T_{STG}	Storage temperature range	-65 to +150	°C
T_J	Maximum junction temperature	150	°C

6.3 Operating conditions

6.3.1 General operating conditions

Table 22. General operating conditions

Symbol	Parameter	Conditions	Min	Max	Unit
f_{HCLK}	Internal AHB clock frequency		0	72	MHz
f_{PCLK1}	Internal APB1 clock frequency		0	36	
f_{PCLK2}	Internal APB2 clock frequency		0	72	
V_{DD}	Standard operating voltage		2	3.6	V
V_{DDA}	Analog operating voltage (OPAMP and DAC not used)	Must have a potential equal to or higher than V_{DD}	2	3.6	V
	Analog operating voltage (OPAMP and DAC used)		2.4	3.6	
V_{BAT}	Backup operating voltage		1.65	3.6	V
V_{IN}	I/O input voltage	TC I/O	-0.3	$V_{DD}+0.3$	V
		TTa I/O	-0.3	$V_{DDA}+0.3$	
		FT and FTf I/O ⁽¹⁾	-0.3	5.5	
		BOOT0	0	5.5	
P_D	Power dissipation at $T_A = 85\text{ °C}$ for suffix 6 or $T_A = 105\text{ °C}$ for suffix 7 ⁽²⁾	LQFP100	-	488	mW
		LQFP64	-	444	
		LQFP48	-	364	
T_A	Ambient temperature for 6 suffix version	Maximum power dissipation	-40	85	°C
		Low power dissipation ⁽³⁾	-40	105	
	Ambient temperature for 7 suffix version	Maximum power dissipation	-40	105	°C
		Low power dissipation ⁽³⁾	-40	125	
T_J	Junction temperature range	6 suffix version	-40	105	°C
		7 suffix version	-40	125	

1. To sustain a voltage higher than $V_{DD}+0.3\text{ V}$, the internal pull-up/pull-down resistors must be disabled.
2. If T_A is lower, higher P_D values are allowed as long as T_J does not exceed T_{Jmax} (see [Table 21: Thermal characteristics](#)).
3. In low power dissipation state, T_A can be extended to this range as long as T_J does not exceed T_{Jmax} (see [Table 21: Thermal characteristics](#)).

6.3.2 Operating conditions at power-up / power-down

The parameters given in [Table 23](#) are derived from tests performed under the ambient temperature condition summarized in [Table 22](#).

Table 23. Operating conditions at power-up / power-down

Symbol	Parameter	Conditions	Min	Max	Unit
t_{VDD}	V_{DD} rise time rate		0	∞	$\mu\text{s/V}$
	V_{DD} fall time rate		20	∞	
t_{VDDA}	V_{DDA} rise time rate		0	∞	
	V_{DDA} fall time rate		20	∞	

6.3.3 Embedded reset and power control block characteristics

The parameters given in [Table 24](#) are derived from tests performed under ambient temperature and V_{DD} supply voltage conditions summarized in [Table 22](#).

Table 24. Embedded reset and power control block characteristics

Symbol	Parameter	Conditions	Min	Typ	Max	Unit
$V_{POR/PDR}^{(1)}$	Power on/power down reset threshold	Falling edge	1.8 ⁽²⁾	1.88	1.96	V
		Rising edge	1.84	1.92	2.0	V
$V_{PDRhyst}^{(1)}$	PDR hysteresis		-	40	-	mV
$t_{RSTTEMPO}^{(3)}$	POR reset temporization		1.5	2.5	4.5	ms

1. The PDR detector monitors V_{DD} and also V_{DDA} (if kept enabled in the option bytes). The POR detector monitors only V_{DD} .
2. The product behavior is guaranteed by design down to the minimum $V_{POR/PDR}$ value.
3. Guaranteed by design, not tested in production

Table 25. Programmable voltage detector characteristics

Symbol	Parameter	Conditions	Min ⁽¹⁾	Typ	Max ⁽¹⁾	Unit
V _{PVD0}	PVD threshold 0	Rising edge	2.1	2.18	2.26	V
		Falling edge	2	2.08	2.16	
V _{PVD1}	PVD threshold 1	Rising edge	2.19	2.28	2.37	
		Falling edge	2.09	2.18	2.27	
V _{PVD2}	PVD threshold 2	Rising edge	2.28	2.38	2.48	
		Falling edge	2.18	2.28	2.38	
V _{PVD3}	PVD threshold 3	Rising edge	2.38	2.48	2.58	
		Falling edge	2.28	2.38	2.48	
V _{PVD4}	PVD threshold 4	Rising edge	2.47	2.58	2.69	
		Falling edge	2.37	2.48	2.59	
V _{PVD5}	PVD threshold 5	Rising edge	2.57	2.68	2.79	
		Falling edge	2.47	2.58	2.69	
V _{PVD6}	PVD threshold 6	Rising edge	2.66	2.78	2.9	
		Falling edge	2.56	2.68	2.8	
V _{PVD7}	PVD threshold 7	Rising edge	2.76	2.88	3	
		Falling edge	2.66	2.78	2.9	
V _{PVDhyst} ⁽²⁾	PVD hysteresis		-	100	-	mV
IDD(PVD)	PVD current consumption		-	0.15	0.26	μA

1. Data based on characterization results only, not tested in production.

2. Guaranteed by design, not tested in production.

6.3.4 Embedded reference voltage

The parameters given in [Table 26](#) are derived from tests performed under ambient temperature and V_{DD} supply voltage conditions summarized in [Table 22](#).

Table 26. Embedded internal reference voltage

Symbol	Parameter	Conditions	Min	Typ	Max	Unit
V _{REFINT}	Internal reference voltage	-40 °C < T _A < +105 °C	1.16	1.2	1.25	V
		-40 °C < T _A < +85 °C	1.16	1.2	1.24 ⁽¹⁾	V
T _{S_vrefint}	ADC sampling time when reading the internal reference voltage		2.2	-	-	μs
V _{RERINT}	Internal reference voltage spread over the temperature range	V _{DD} = 3 V ±10 mV	-	-	10 ⁽²⁾	mV
T _{Coeff}	Temperature coefficient		-	-	100 ⁽²⁾	ppm/°C

1. Data based on characterization results, not tested in production.
2. Guaranteed by design, not tested in production

Table 27. Internal reference voltage calibration values

Calibration value name	Description	Memory address
V _{REFINT_CAL}	Raw data acquired at temperature of 30 °C V _{DDA} = 3.3 V	0x1FFF F7BA - 0x1FFF F7BB

6.3.5 Supply current characteristics

The current consumption is a function of several parameters and factors such as the operating voltage, ambient temperature, I/O pin loading, device software configuration, operating frequencies, I/O pin switching rate, program location in memory and executed binary code.

The current consumption is measured as described in [Figure 12: Current consumption measurement scheme](#).

All Run-mode current consumption measurements given in this section are performed with a reduced code that gives a consumption equivalent to CoreMark code.

Typical and maximum current consumption

The MCU is placed under the following conditions:

- All I/O pins are in input mode with a static value at V_{DD} or V_{SS} (no load)
- All peripherals are disabled except when explicitly mentioned
- The Flash memory access time is adjusted to the f_{HCLK} frequency (0 wait state from 0 to 24 MHz, 1 wait state from 24 to 48 MHz and 2 wait states from 48 to 72 MHz)
- Prefetch in ON (reminder: this bit must be set before clock setting and bus prescaling)
- When the peripherals are enabled f_{PCLK2} = f_{HCLK} and f_{PCLK1} = f_{HCLK}/2
- When f_{HCLK} > 8 MHz, the PLL is ON and the PLL input is equal to HSI/2 (4 MHz) or HSE (8 MHz) in bypass mode.

The parameters given in [Table 28](#) to [Table 32](#) are derived from tests performed under ambient temperature and supply voltage conditions summarized in [Table 22](#).

Table 28. Typical and maximum current consumption from V_{DD} supply at V_{DD} = 3.6V

Symbol	Parameter	Conditions	f _{HCLK}	All peripherals enabled				All peripherals disabled				Unit
				Typ	Max @ T _A ⁽¹⁾			Typ	Max @ T _A ⁽¹⁾			
					25 °C	85 °C	105 °C		25 °C	85 °C	105 °C	
I _{DD}	Supply current in Run mode, executing from Flash	External clock (HSE bypass)	72 MHz	61.2	65.8	67.6	68.5	27.8	30.3	30.7	31.5	mA
			64 MHz	54.7	59.1	60.2	61.1	24.6	27.2	27.6	28.3	
			48 MHz	41.7	45.1	46.2	47.2	19.2	21.1	21.4	21.8	
			32 MHz	28.1	31.5	32.5	32.7	12.9	14.6	14.8	15.3	
			24 MHz	21.4	23.7	24.4	25.2	10.0	11.4	11.4	12.1	
			8 MHz	7.4	8.4	8.6	9.4	3.6	4.1	4.4	5.0	
		1 MHz	1.3	1.6	1.8	2.6	0.8	1.0	1.2	2.1		
		Internal clock (HSI)	64 MHz	49.7	54.4	55.4	56.3	24.5	27.2	27.4	28.1	
			48 MHz	37.9	42.2	43.0	43.5	18.9	21.4	21.5	21.6	
			32 MHz	25.8	29.2	29.2	30.0	12.7	14.2	14.6	15.2	
			24 MHz	19.7	22.3	22.6	23.2	6.7	7.7	7.9	8.5	
			8 MHz	6.9	7.8	8.3	8.8	3.5	4.0	4.4	5.0	
	1 MHz		1.3	1.6	1.8	2.6	0.8	1.0	1.2	2.1		
	Supply current in Run mode, executing from RAM	External clock (HSE bypass)	72 MHz	60.8	66.2 ⁽²⁾	69.7	70.4 ⁽²⁾	27.4	31.7 ⁽²⁾	32.2	32.5 ⁽²⁾	
			64 MHz	54.3	59.1	62.2	63.3	24.3	28.3	28.7	28.8	
			48 MHz	41.0	45.6	47.3	47.9	18.3	21.6	21.9	22.1	
			32 MHz	27.6	32.4	32.4	32.9	12.3	15.0	15.2	15.4	
			24 MHz	20.8	23.9	24.3	25.0	9.3	11.3	11.4	12.0	
			8 MHz	6.9	7.8	8.7	9.0	3.1	3.7	4.2	4.9	
		1 MHz	0.9	1.2	1.5	2.3	0.4	0.6	1.0	1.8		
		Internal clock (HSI)	64 MHz	49.2	53.9	55.2	57.4	23.9	27.8	28.2	28.4	
			48 MHz	37.3	40.8	41.4	44.1	18.2	21.0	21.6	21.9	
			32 MHz	25.1	27.6	29.1	30.1	12.0	14.0	14.5	15.1	
			24 MHz	19.0	21.6	22.1	22.9	6.3	7.2	7.7	8.1	
8 MHz			6.4	7.3	7.9	8.4	3.0	3.5	4.0	4.7		
1 MHz	1.3		1.6	1.8	2.6	0.8	1.0	1.2	2.1			

Table 28. Typical and maximum current consumption from V_{DD} supply at V_{DD} = 3.6V

Symbol	Parameter	Conditions	f _{HCLK}	All peripherals enabled				All peripherals disabled				Unit
				Typ	Max @ T _A ⁽¹⁾			Typ	Max @ T _A ⁽¹⁾			
					25 °C	85 °C	105 °C		25 °C	85 °C	105 °C	
I _{DD}	Supply current in Sleep mode, executing from Flash or RAM	External clock (HSE bypass)	72 MHz	44.0	48.4	49.4	50.5	6.6	7.5	7.9	8.7	mA
			64 MHz	39.2	43.3	44.0	45.2	6.0	6.8	7.2	7.9	
			48 MHz	29.6	32.7	33.3	34.3	4.5	5.2	5.6	6.3	
			32 MHz	19.7	23.3	23.3	23.5	3.1	3.5	4.0	4.8	
			24 MHz	14.9	17.6	17.8	18.3	2.4	2.8	3.3	3.9	
			8 MHz	4.9	5.7	6.1	6.9	0.8	1.0	1.4	2.2	
		1 MHz	0.6	0.9	1.2	2.1	0.1	0.3	0.6	1.5		
		Internal clock (HSI)	64 MHz	34.2	38.1	39.2	40.3	5.7	6.3	6.8	7.5	
			48 MHz	25.8	28.7	29.6	30.3	4.3	4.8	5.2	5.9	
			32 MHz	17.4	19.4	19.9	20.7	2.9	3.2	3.7	4.5	
			24 MHz	13.2	15.1	15.6	15.9	1.5	1.8	2.2	2.9	
			8 MHz	4.5	5.0	5.6	6.2	0.7	0.9	1.2	2.1	

1. Data based on characterization results, not tested in production unless otherwise specified.
2. Data based on characterization results and tested in production with code executing from RAM.

Table 29. Typical and maximum current consumption from the V_{DDA} supply

Symbol	Parameter	Conditions ⁽¹⁾	f _{HCLK}	V _{DDA} = 2.4 V				V _{DDA} = 3.6 V				Unit
				Typ	Max @ T _A ⁽²⁾			Typ	Max @ T _A ⁽²⁾			
					25 °C	85 °C	105 °C		25 °C	85 °C	105 °C	
I _{DDA}	Supply current in Run mode, code executing from Flash or RAM	HSE bypass	72 MHz	225	276	289	297	245	302	319	329	µA
			64 MHz	198	249	261	268	216	270	284	293	
			48 MHz	149	195	204	211	159	209	222	230	
			32 MHz	102	145	152	157	110	154	162	169	
			24 MHz	80	119	124	128	86	126	131	135	
			8 MHz	2	3	4	6	3	4	5	9	
			1 MHz	2	3	5	7	3	4	6	9	
		HSI clock	64 MHz	270	323	337	344	299	354	371	381	
			48 MHz	220	269	280	286	244	293	309	318	
			32 MHz	173	218	228	233	193	239	251	257	
			24 MHz	151	194	200	204	169	211	219	225	
			8 MHz	73	97	99	103	88	105	110	116	

1. Current consumption from the V_{DDA} supply is independent of whether the peripherals are on or off. Furthermore when the PLL is off, I_{DDA} is independent from the frequency.
2. Data based on characterization results, not tested in production.

Table 30. Typical and maximum V_{DD} consumption in Stop and Standby modes

Symbol	Parameter	Conditions	Typ @ V_{DD} ($V_{DD}=V_{DDA}$)						Max ⁽¹⁾			Unit
			2.0 V	2.4 V	2.7 V	3.0 V	3.3 V	3.6 V	$T_A = 25\text{ }^\circ\text{C}$	$T_A = 85\text{ }^\circ\text{C}$	$T_A = 105\text{ }^\circ\text{C}$	
I_{DD}	Supply current in Stop mode	Regulator in run mode, all oscillators OFF	20.05	20.33	20.42	20.50	20.67	20.80	44.2 ⁽²⁾	553	1202 ⁽²⁾	μA
		Regulator in low-power mode, all oscillators OFF	7.63	7.77	7.90	8.07	8.17	8.33	30.6 ⁽²⁾	529	1156 ⁽²⁾	
	Supply current in Standby mode	LSI ON and IWDG ON	0.80	0.96	1.09	1.23	1.37	1.51	-	-	-	
		LSI OFF and IWDG OFF	0.60	0.74	0.83	0.93	1.02	1.11	5.0 ⁽²⁾	7.8	13.3 ⁽²⁾	

1. Data based on characterization results, not tested in production unless otherwise specified.
2. Data based on characterization results and tested in production.

Table 31. Typical and maximum V_{DDA} consumption in Stop and Standby modes

Symbol	Parameter	Conditions	Typ @ V_{DD} ($V_{DD} = V_{DDA}$)						Max ⁽¹⁾			Unit	
			2.0 V	2.4 V	2.7 V	3.0 V	3.3 V	3.6 V	$T_A = 25\text{ }^\circ\text{C}$	$T_A = 85\text{ }^\circ\text{C}$	$T_A = 105\text{ }^\circ\text{C}$		
I_{DDA}	Supply current in Stop mode	V_{DDA} monitoring ON	Regulator in run mode, all oscillators OFF	1.81	1.95	2.07	2.20	2.35	2.52	3.7	5.5	8.8	μA
			Regulator in low-power mode, all oscillators OFF	1.81	1.95	2.07	2.20	2.35	2.52	3.7	5.5	8.8	
	Supply current in Standby mode	V_{DDA} monitoring ON	LSI ON and IWDG ON	2.22	2.42	2.59	2.78	3.0	3.24	-	-	-	
			LSI OFF and IWDG OFF	1.69	1.82	1.94	2.08	2.23	2.40	3.5	5.4	9.2	
	Supply current in Stop mode	V_{DDA} monitoring OFF	Regulator in run mode, all oscillators OFF	1.05	1.08	1.10	1.15	1.22	1.29	-	-	-	
			Regulator in low-power mode, all oscillators OFF	1.05	1.08	1.10	1.15	1.22	1.29	-	-	-	
	Supply current in Standby mode	V_{DDA} monitoring OFF	LSI ON and IWDG ON	1.44	1.52	1.60	1.71	1.84	1.98	-	-	-	
			LSI OFF and IWDG OFF	0.93	0.95	0.98	1.02	1.08	1.15	-	-	-	

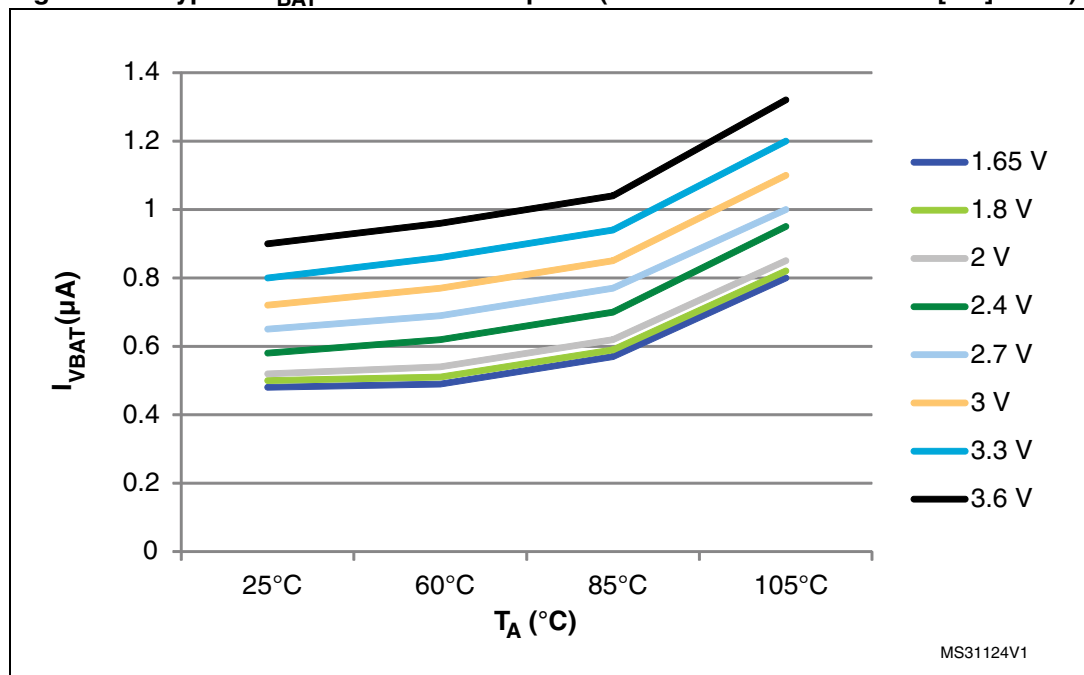
1. Data based on characterization results, not tested in production.

Table 32. Typical and maximum current consumption from V_{BAT} supply

Symbol	Parameter	Conditions (1)	Typ @V _{BAT}								Max @V _{BAT} = 3.6 V(2)			Unit
			1.65V	1.8V	2V	2.4V	2.7V	3V	3.3V	3.6V	T _A = 25°C	T _A = 85°C	T _A = 105°C	
I _{DD_VBAT}	Backup domain supply current	LSE & RTC ON; "Xtal mode" lower driving capability; LSEDRV[1:0] = '00'	0.48	0.50	0.52	0.58	0.65	0.72	0.80	0.90	1.1	1.5	2.0	μA
		LSE & RTC ON; "Xtal mode" higher driving capability; LSEDRV[1:0] = '11'	0.83	0.86	0.90	0.98	1.03	1.10	1.20	1.30	1.5	2.2	2.9	

1. Crystal used: Abracon ABS07-120-32.768 kHz-T with a CL of 6 pF for typical values.
2. Data based on characterization results, not tested in production.

Figure 13. Typical V_{BAT} current consumption (LSE and RTC ON/LSEDRV[1:0] = '00')



Typical current consumption

The MCU is placed under the following conditions:

- $V_{DD} = V_{DDA} = 3.3\text{ V}$
- All I/O pins available on each package are in analog input configuration
- The Flash access time is adjusted to f_{HCLK} frequency (0 wait states from 0 to 24 MHz, 1 wait state from 24 to 48 MHz and 2 wait states from 48 MHz to 72 MHz), and Flash prefetch is ON
- When the peripherals are enabled, $f_{APB1} = f_{AHB}/2$, $f_{APB2} = f_{AHB}$
- PLL is used for frequencies greater than 8 MHz
- AHB prescaler of 2, 4, 8, 16 and 64 is used for the frequencies 4 MHz, 2 MHz, 1 MHz, 500 kHz and 125 kHz respectively.

Table 33. Typical current consumption in Run mode, code with data processing running from Flash

Symbol	Parameter	Conditions	f_{HCLK}	Typ		Unit
				Peripherals enabled	Peripherals disabled	
I_{DD}	Supply current in Run mode from V_{DD} supply	Running from HSE crystal clock 8 MHz, code executing from Flash	72 MHz	61.3	28.0	mA
			64 MHz	54.8	25.4	
			48 MHz	41.9	19.3	
			32 MHz	28.5	13.3	
			24 MHz	21.8	10.4	
			16 MHz	14.9	7.2	
			8 MHz	7.7	3.9	
			4 MHz	4.5	2.5	
			2 MHz	2.8	1.7	
			1 MHz	1.9	1.3	
			500 kHz	1.4	1.1	
			125 kHz	1.1	0.9	
$I_{DDA}^{(1) (2)}$	Supply current in Run mode from V_{DDA} supply	Running from HSE crystal clock 8 MHz, code executing from Flash	72 MHz	240.3	239.5	μA
			64 MHz	210.9	210.3	
			48 MHz	155.8	155.6	
			32 MHz	105.7	105.6	
			24 MHz	82.1	82.0	
			16 MHz	58.8	58.8	
			8 MHz	2.4	2.4	
			4 MHz	2.4	2.4	
			2 MHz	2.4	2.4	
			1 MHz	2.4	2.4	
			500 kHz	2.4	2.4	
			125 kHz	2.4	2.4	

1. V_{DDA} monitoring is ON.

- When peripherals are enabled, the power consumption of the analog part of peripherals such as ADC, DAC, Comparators, OpAmp etc. is not included. Refer to the tables of characteristics in the subsequent sections.

Table 34. Typical current consumption in Sleep mode, code running from Flash or RAM

Symbol	Parameter	Conditions	f _{HCLK}	Typ		Unit
				Peripherals enabled	Peripherals disabled	
I _{DD}	Supply current in Sleep mode from V _{DD} supply	Running from HSE crystal clock 8 MHz, code executing from Flash or RAM	72 MHz	44.1	7.0	mA
			64 MHz	39.7	6.3	
			48 MHz	30.3	4.9	
			32 MHz	20.5	3.5	
			24 MHz	15.4	2.8	
			16 MHz	10.6	2.0	
			8 MHz	5.4	1.1	
			4 MHz	3.2	1.0	
			2 MHz	2.1	0.9	
			1 MHz	1.5	0.8	
			500 kHz	1.2	0.8	
			I _{DDA} ^{(1) (2)}	Supply current in Sleep mode from V _{DDA} supply	Running from HSE crystal clock 8 MHz, code executing from Flash or RAM	
64 MHz	210.5	209.6				
48 MHz	155.0	155.6				
32 MHz	105.3	105.2				
24 MHz	81.9	81.8				
16 MHz	58.7	58.6				
8 MHz	2.4	2.4				
4 MHz	2.4	2.4				
2 MHz	2.4	2.4				
1 MHz	2.4	2.4				
500 kHz	2.4	2.4				
125 kHz	2.4	2.4				

- V_{DDA} monitoring is ON
- When peripherals are enabled, the power consumption of the analog part of peripherals such as ADC, DAC, Comparators, OpAmp etc. is not included. Refer to the tables of characteristics in the subsequent sections.

I/O system current consumption

The current consumption of the I/O system has two components: static and dynamic.

I/O static current consumption

All the I/Os used as inputs with pull-up generate current consumption when the pin is externally held low. The value of this current consumption can be simply computed by using the pull-up/pull-down resistors values given in [Table 52: I/O static characteristics](#).

For the output pins, any external pull-down or external load must also be considered to estimate the current consumption.

Additional I/O current consumption is due to I/Os configured as inputs if an intermediate voltage level is externally applied. This current consumption is caused by the input Schmitt trigger circuits used to discriminate the input value. Unless this specific configuration is required by the application, this supply current consumption can be avoided by configuring these I/Os in analog mode. This is notably the case of ADC input pins which should be configured as analog inputs.

Caution: Any floating input pin can also settle to an intermediate voltage level or switch inadvertently, as a result of external electromagnetic noise. To avoid current consumption related to floating pins, they must either be configured in analog mode, or forced internally to a definite digital value. This can be done either by using pull-up/down resistors or by configuring the pins in output mode.

I/O dynamic current consumption

In addition to the internal peripheral current consumption (see [Table 36: Peripheral current consumption](#)), the I/Os used by an application also contribute to the current consumption. When an I/O pin switches, it uses the current from the MCU supply voltage to supply the I/O pin circuitry and to charge/discharge the capacitive load (internal or external) connected to the pin:

$$I_{SW} = V_{DD} \times f_{SW} \times C$$

where

I_{SW} is the current sunk by a switching I/O to charge/discharge the capacitive load

V_{DD} is the MCU supply voltage

f_{SW} is the I/O switching frequency

C is the total capacitance seen by the I/O pin: $C = C_{INT} + C_{EXT} + C_S$

The test pin is configured in push-pull output mode and is toggled by software at a fixed frequency.

Table 35. Switching output I/O current consumption

Symbol	Parameter	Conditions ⁽¹⁾	I/O toggling frequency (f _{SW})	Typ	Unit
I _{sw}	I/O current consumption	$V_{DD} = 3.3\text{ V}$ $C_{ext} = 0\text{ pF}$ $C = C_{INT} + C_{EXT} + C_S$	2 MHz	0.90	mA
			4 MHz	0.93	
			8 MHz	1.16	
			18 MHz	1.60	
			36 MHz	2.51	
			48 MHz	2.97	
		$V_{DD} = 3.3\text{ V}$ $C_{ext} = 10\text{ pF}$ $C = C_{INT} + C_{EXT} + C_S$	2 MHz	0.93	
			4 MHz	1.06	
			8 MHz	1.47	
			18 MHz	2.26	
			36 MHz	3.39	
			48 MHz	5.99	
		$V_{DD} = 3.3\text{ V}$ $C_{ext} = 22\text{ pF}$ $C = C_{INT} + C_{EXT} + C_S$	2 MHz	1.03	
			4 MHz	1.30	
			8 MHz	1.79	
			18 MHz	3.01	
		$V_{DD} = 3.3\text{ V}$ $C_{ext} = 33\text{ pF}$ $C = C_{INT} + C_{EXT} + C_S$	36 MHz	5.99	
			2 MHz	1.10	
			4 MHz	1.31	
			8 MHz	2.06	
		$V_{DD} = 3.3\text{ V}$ $C_{ext} = 47\text{ pF}$ $C = C_{INT} + C_{EXT} + C_S$	18 MHz	3.47	
			36 MHz	8.35	
			2 MHz	1.20	
			4 MHz	1.54	
$V_{DD} = 3.3\text{ V}$ $C_{ext} = 47\text{ pF}$ $C = C_{INT} + C_{EXT} + C_S$	8 MHz	2.46			
	18 MHz	4.51			
	36 MHz	9.98			
	4 MHz	1.54			

1. CS = 5 pF (estimated value).

On-chip peripheral current consumption

The MCU is placed under the following conditions:

- all I/O pins are in analog input configuration
- all peripherals are disabled unless otherwise mentioned
- the given value is calculated by measuring the current consumption
 - with all peripherals clocked off
 - with only one peripheral clocked on
- ambient operating temperature at 25°C and $V_{DD} = V_{DDA} = 3.3\text{ V}$.

Table 36. Peripheral current consumption

Peripheral	Typical consumption ⁽¹⁾	Unit
	I _{DD}	
BusMatrix ⁽²⁾	5.6	μA/MHz
DMA1	15.3	
DMA2	12.5	
CRC	2.1	
GPIOA	10.0	
GPIOB	10.3	
GPIOC	2.2	
PIOD	8.8	
GPIOE	3.3	
GPIOF	3.0	
TSC	5.5	
ADC1&2	17.3	
ADC3&4	18.8	
APB2-Bridge ⁽³⁾	3.6	
SYSCFG	7.3	
TIM1	40.0	
SPI1	8.8	
TIM8	36.4	
USART1	23.3	
TIM15	17.1	
TIM16	10.1	
TIM17	11.0	
APB1-Bridge ⁽³⁾	6.1	
TIM2	49.1	
TIM3	38.8	
TIM4	38.3	

Table 36. Peripheral current consumption (continued)

Peripheral	Typical consumption ⁽¹⁾	Unit
	I _{DD}	
TIM6	9.7	μA/MHz
TIM7	12.1	
WWDG	6.4	
SPI2	40.4	
SPI3	40.0	
USART2	41.9	
USART3	40.2	
UART4	36.5	
UART5	30.8	
I2C1	10.5	
I2C2	10.4	
USB	26.2	
CAN	33.4	
PWR	5.7	
DAC	15.4	

1. The power consumption of the analog part (I_{DDA}) of peripherals such as ADC, DAC, Comparators, OpAmp etc. is not included. Refer to the tables of characteristics in the subsequent sections.
2. BusMatrix is automatically active when at least one master is ON (CPU, DMA1 or DMA2).
3. The APBx bridge is automatically active when at least one peripheral is ON on the same bus.

6.3.6 Wakeup time from low-power mode

The wakeup times given in [Table 37](#) are measured starting from the wakeup event trigger up to the first instruction executed by the CPU:

- For Stop or Sleep mode: the wakeup event is WFE.
- WKUP1 (PA0) pin is used to wakeup from Standby, Stop and Sleep modes.

All timings are derived from tests performed under ambient temperature and V_{DD} supply voltage conditions summarized in [Table 22](#).

Table 37. Low-power mode wakeup timings

Symbol	Parameter	Conditions	Typ @ $V_{DD}, V_{DD} = V_{DDA}$						Max	Unit
			2.0 V	2.4 V	2.7 V	3 V	3.3 V	3.6 V		
t_{WUSTOP}	Wakeup from Stop mode	Regulator in run mode	4.1	3.9	3.8	3.7	3.6	3.5	4.5	μs
		Regulator in low power mode	7.9	6.7	6.1	5.7	5.4	5.2	9	
$t_{WUSTANDBY}^{(1)}$	Wakeup from Standby mode	LSI and IWDG OFF	69.2	60.3	56.4	53.7	51.7	50	100	
$t_{WUSLEEP}$	Wakeup from Sleep mode		6						-	CPU clock cycles

1. Data based on characterization results, not tested in production.

6.3.7 External clock source characteristics

High-speed external user clock generated from an external source

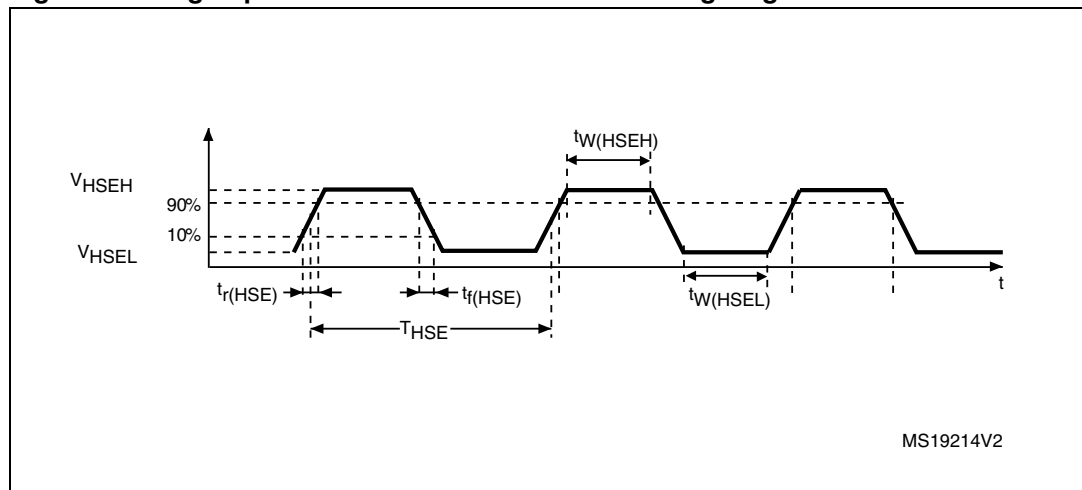
In bypass mode the HSE oscillator is switched off and the input pin is a standard GPIO. The external clock signal has to respect the I/O characteristics in [Section 6.3.14](#). However, the recommended clock input waveform is shown in [Figure 14](#).

Table 38. High-speed external user clock characteristics

Symbol	Parameter	Conditions	Min	Typ	Max	Unit
f_{HSE_ext}	User external clock source frequency ⁽¹⁾		1	8	32	MHz
V_{HSEH}	OSC_IN input pin high level voltage		$0.7V_{DD}$	-	V_{DD}	V
V_{HSEL}	OSC_IN input pin low level voltage		V_{SS}	-	$0.3V_{DD}$	
$t_{w(HSEH)}$ $t_{w(HSEL)}$	OSC_IN high or low time ⁽¹⁾		15	-	-	ns
$t_r(HSE)$ $t_f(HSE)$	OSC_IN rise or fall time ⁽¹⁾		-	-	20	

1. Guaranteed by design, not tested in production.

Figure 14. High-speed external clock source AC timing diagram



Low-speed external user clock generated from an external source

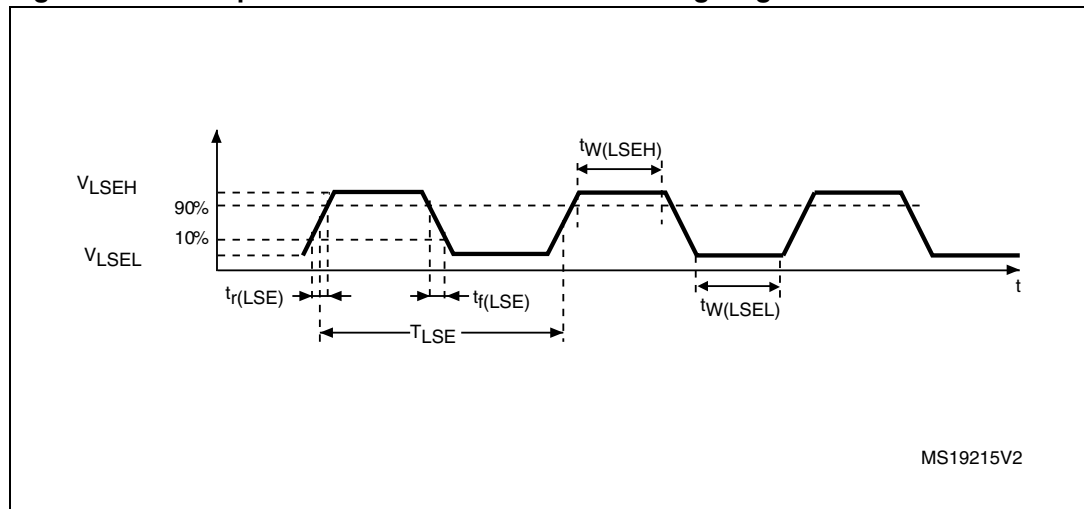
In bypass mode the LSE oscillator is switched off and the input pin is a standard GPIO. The external clock signal has to respect the I/O characteristics in [Section 6.3.14](#). However, the recommended clock input waveform is shown in [Figure 15](#)

Table 39. Low-speed external user clock characteristics

Symbol	Parameter	Conditions	Min	Typ	Max	Unit
f_{LSE_ext}	User External clock source frequency ⁽¹⁾		-	32.768	1000	kHz
V_{LSEH}	OSC32_IN input pin high level voltage		$0.7V_{DD}$	-	V_{DD}	V
V_{LSEL}	OSC32_IN input pin low level voltage		V_{SS}	-	$0.3V_{DD}$	
$t_{w(LSEH)}$ $t_{w(LSEL)}$	OSC32_IN high or low time ⁽¹⁾		450	-	-	ns
$t_{r(LSE)}$ $t_{f(LSE)}$	OSC32_IN rise or fall time ⁽¹⁾		-	-	50	

1. Guaranteed by design, not tested in production.

Figure 15. Low-speed external clock source AC timing diagram



High-speed external clock generated from a crystal/ceramic resonator

The high-speed external (HSE) clock can be supplied with a 4 to 32 MHz crystal/ceramic resonator oscillator. All the information given in this paragraph are based on design simulation results obtained with typical external components specified in [Table 40](#). In the application, the resonator and the load capacitors have to be placed as close as possible to the oscillator pins in order to minimize output distortion and startup stabilization time. Refer to the crystal resonator manufacturer for more details on the resonator characteristics (frequency, package, accuracy).

Table 40. HSE oscillator characteristics

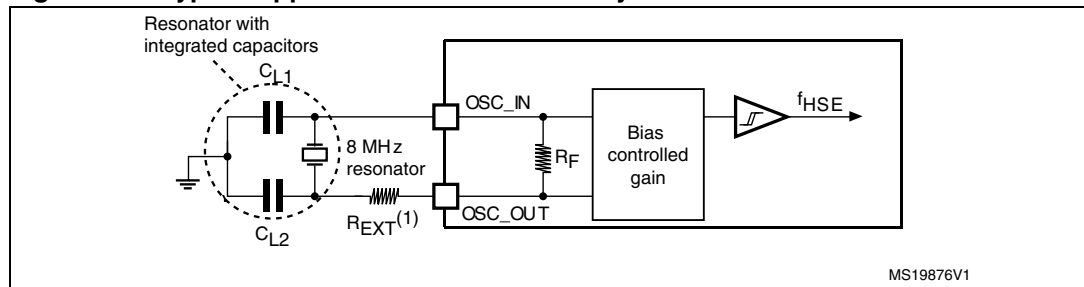
Symbol	Parameter	Conditions ⁽¹⁾	Min ⁽²⁾	Typ	Max ⁽²⁾	Unit
f_{OSC_IN}	Oscillator frequency		4	8	32	MHz
R_F	Feedback resistor		-	200		k Ω
I_{DD}	HSE current consumption	During startup ⁽³⁾	-	-	8.5	mA
		$V_{DD}=3.3$ V, $R_m=30\Omega$, $CL=10$ pF@8 MHz	-	0.4	-	
		$V_{DD}=3.3$ V, $R_m=45\Omega$, $CL=10$ pF@8 MHz	-	0.5	-	
		$V_{DD}=3.3$ V, $R_m=30\Omega$, $CL=10$ pF@32 MHz	-	0.8	-	
		$V_{DD}=3.3$ V, $R_m=30\Omega$, $CL=10$ pF@32 MHz	-	1	-	
		$V_{DD}=3.3$ V, $R_m=30\Omega$, $CL=10$ pF@32 MHz	-	1.5	-	
g_m	Oscillator transconductance	Startup	10	-	-	mA/V
$t_{SU(HSE)}$ ⁽⁴⁾	Startup time	V_{DD} is stabilized	-	2	-	ms

1. Resonator characteristics given by the crystal/ceramic resonator manufacturer.
2. Guaranteed by design, not tested in production.
3. This consumption level occurs during the first 2/3 of the $t_{SU(HSE)}$ startup time
4. $t_{SU(HSE)}$ is the startup time measured from the moment it is enabled (by software) to a stabilized 8 MHz oscillation is reached. This value is measured for a standard crystal resonator and it can vary significantly with the crystal manufacturer

For C_{L1} and C_{L2} , it is recommended to use high-quality external ceramic capacitors in the 5 pF to 25 pF range (typ.), designed for high-frequency applications, and selected to match the requirements of the crystal or resonator (see [Figure 16](#)). C_{L1} and C_{L2} are usually the same size. The crystal manufacturer typically specifies a load capacitance which is the series combination of C_{L1} and C_{L2} . PCB and MCU pin capacitance must be included (10 pF can be used as a rough estimate of the combined pin and board capacitance) when sizing C_{L1} and C_{L2} .

Note: For information on selecting the crystal, refer to the application note AN2867 “Oscillator design guide for ST microcontrollers” available from the ST website www.st.com.

Figure 16. Typical application with an 8 MHz crystal



1. R_{EXT} value depends on the crystal characteristics.

Low-speed external clock generated from a crystal/ceramic resonator

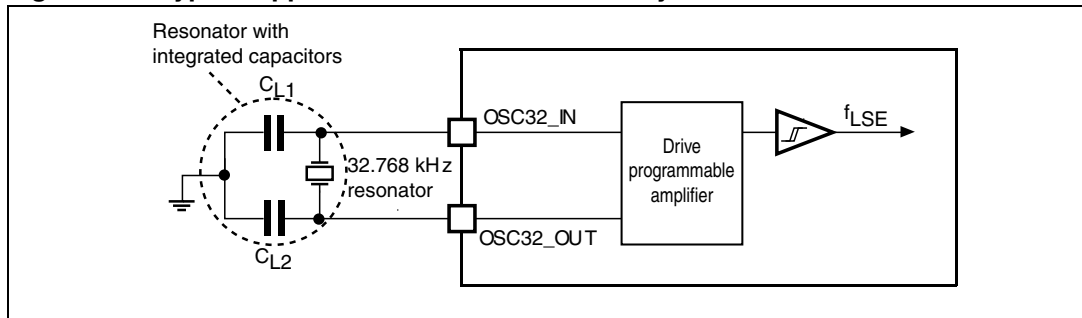
The low-speed external (LSE) clock can be supplied with a 32.768 kHz crystal/ceramic resonator oscillator. All the information given in this paragraph are based on design simulation results obtained with typical external components specified in [Table 41](#). In the application, the resonator and the load capacitors have to be placed as close as possible to the oscillator pins in order to minimize output distortion and startup stabilization time. Refer to the crystal resonator manufacturer for more details on the resonator characteristics (frequency, package, accuracy).

Table 41. LSE oscillator characteristics (f_{LSE} = 32.768 kHz)

Symbol	Parameter	Conditions ⁽¹⁾	Min ⁽²⁾	Typ	Max ⁽²⁾	Unit
I _{DD}	LSE current consumption	LSEDRV[1:0]=00 lower driving capability	-	0.5	0.9	μA
		LSEDRV[1:0]=01 medium low driving capability	-	-	1	
		LSEDRV[1:0]=10 medium high driving capability	-	-	1.3	
		LSEDRV[1:0]=11 higher driving capability	-	-	1.6	
g _m	Oscillator transconductance	LSEDRV[1:0]=00 lower driving capability	5	-	-	μA/V
		LSEDRV[1:0]=01 medium low driving capability	8	-	-	
		LSEDRV[1:0]=10 medium high driving capability	15	-	-	
		LSEDRV[1:0]=11 higher driving capability	25	-	-	
t _{SU(LSE)} ⁽³⁾	Startup time	V _{DD} is stabilized	-	2	-	s

1. Refer to the note and caution paragraphs below the table, and to the application note AN2867 “Oscillator design guide for ST microcontrollers”.
2. Guaranteed by design, not tested in production.
3. t_{SU(LSE)} is the startup time measured from the moment it is enabled (by software) to a stabilized 32.768 kHz oscillation is reached. This value is measured for a standard crystal and it can vary significantly with the crystal manufacturer

Note: For information on selecting the crystal, refer to the application note AN2867 “Oscillator design guide for ST microcontrollers” available from the ST website www.st.com.

Figure 17. Typical application with a 32.768 kHz crystal

Note: An external resistor is not required between $OSC32_IN$ and $OSC32_OUT$ and it is forbidden to add one.

6.3.8 Internal clock source characteristics

The parameters given in [Table 42](#) are derived from tests performed under ambient temperature and supply voltage conditions summarized in [Table 22](#).

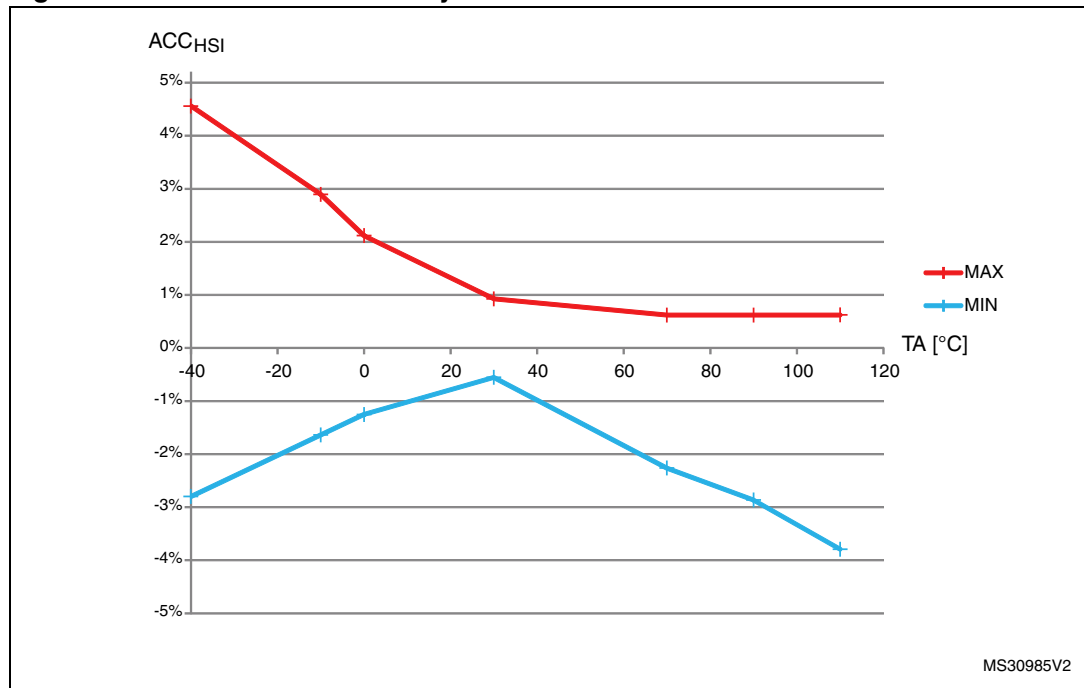
High-speed internal (HSI) RC oscillator

Table 42. HSI oscillator characteristics⁽¹⁾

Symbol	Parameter	Conditions	Min	Typ	Max	Unit
f_{HSI}	Frequency		-	8	-	MHz
TRIM	HSI user trimming step		-	-	1 ⁽²⁾	%
DuCy _(HSI)	Duty cycle		45 ⁽²⁾	-	55 ⁽²⁾	%
ACC _{HSI}	Accuracy of the HSI oscillator (factory calibrated)	T _A = -40 to 105 °C	-3.8 ⁽³⁾	-	4.6 ⁽³⁾	%
		T _A = -10 to 85 °C	-2.9 ⁽³⁾	-	2.9 ⁽³⁾	%
		T _A = 0 to 70 °C	-	-	-	%
		T _A = 25 °C	-1	-	1	%
t _{su(HSI)}	HSI oscillator startup time		1 ⁽²⁾	-	2 ⁽²⁾	µs
I _{DD(HSI)}	HSI oscillator power consumption		-	80	100 ⁽³⁾	µA

1. V_{DDA} = 3.3 V, T_A = -40 to 105 °C unless otherwise specified.
2. Guaranteed by design, not tested in production.
3. Data based on characterization results, not tested in production.

Figure 18. HSI oscillator accuracy characterization results



1. The above curves are based on characterisation results, not tested in production

Low-speed internal (LSI) RC oscillator

Table 43. LSI oscillator characteristics⁽¹⁾

Symbol	Parameter	Min	Typ	Max	Unit
f_{LSI}	Frequency	30	40	50	kHz
$t_{su(LSI)}$ ⁽²⁾	LSI oscillator startup time	-	-	85	μ s
$I_{DD(LSI)}$ ⁽²⁾	LSI oscillator power consumption	-	0.75	1.2	μ A

1. $V_{DDA} = 3.3$ V, $T_A = -40$ to 105 °C unless otherwise specified.

2. Guaranteed by design, not tested in production.

6.3.9 PLL characteristics

The parameters given in [Table 44](#) are derived from tests performed under ambient temperature and supply voltage conditions summarized in [Table 22](#).

Table 44. PLL characteristics

Symbol	Parameter	Value			Unit
		Min	Typ	Max	
f_{PLL_IN}	PLL input clock ⁽¹⁾	1 ⁽²⁾	-	24 ⁽²⁾	MHz
	PLL input clock duty cycle	40 ⁽²⁾	-	60 ⁽²⁾	%
f_{PLL_OUT}	PLL multiplier output clock	16 ⁽²⁾	-	72	MHz
t_{LOCK}	PLL lock time	-	-	200 ⁽²⁾	μ s
Jitter	Cycle-to-cycle jitter	-	-	300 ⁽²⁾	ps

1. Take care of using the appropriate multiplier factors so as to have PLL input clock values compatible with the range defined by f_{PLL_OUT} .

2. Guaranteed by design, not tested in production.

6.3.10 Memory characteristics

Flash memory

The characteristics are given at $T_A = -40$ to $+105$ °C unless otherwise specified.

Table 45. Flash memory characteristics

Symbol	Parameter	Conditions	Min	Typ	Max ⁽¹⁾	Unit
t_{prog}	16-bit programming time	$T_A = -40$ to $+105$ °C	40	53.5	60	µs
t_{ERASE}	Page (2 KB) erase time	$T_A = -40$ to $+105$ °C	20	-	40	ms
t_{ME}	Mass erase time	$T_A = -40$ to $+105$ °C	20	-	40	ms
I_{DD}	Supply current	Write mode	-	-	10	mA
		Erase mode	-	-	12	mA

1. Guaranteed by design, not tested in production.

Table 46. Flash memory endurance and data retention

Symbol	Parameter	Conditions	Value	Unit
			Min ⁽¹⁾	
N_{END}	Endurance	$T_A = -40$ to $+85$ °C (6 suffix versions) $T_A = -40$ to $+105$ °C (7 suffix versions)	10	kcycles
t_{RET}	Data retention	1 kcycle ⁽²⁾ at $T_A = 85$ °C	30	Years
		1 kcycle ⁽²⁾ at $T_A = 105$ °C	10	
		10 kcycles ⁽²⁾ at $T_A = 55$ °C	20	

1. Data based on characterization results, not tested in production.

2. Cycling performed over the whole temperature range.

6.3.11 EMC characteristics

Susceptibility tests are performed on a sample basis during device characterization.

Functional EMS (electromagnetic susceptibility)

While a simple application is executed on the device (toggling 2 LEDs through I/O ports), the device is stressed by two electromagnetic events until a failure occurs. The failure is indicated by the LEDs:

- **Electrostatic discharge (ESD)** (positive and negative) is applied to all device pins until a functional disturbance occurs. This test is compliant with the IEC 61000-4-2 standard.
- **FTB:** A Burst of Fast Transient voltage (positive and negative) is applied to V_{DD} and V_{SS} through a 100 pF capacitor, until a functional disturbance occurs. This test is compliant with the IEC 61000-4-4 standard.

A device reset allows normal operations to be resumed.

The test results are given in [Table 47](#). They are based on the EMS levels and classes defined in application note AN1709.

Table 47. EMS characteristics

Symbol	Parameter	Conditions	Level/Class
V_{FESD}	Voltage limits to be applied on any I/O pin to induce a functional disturbance	$V_{DD} = 3.3$ V, LQFP100, $T_A = +25$ °C, $f_{HCLK} = 72$ MHz conforms to IEC 61000-4-2	3B
V_{EFTB}	Fast transient voltage burst limits to be applied through 100 pF on V_{DD} and V_{SS} pins to induce a functional disturbance	$V_{DD} = 3.3$ V, LQFP100, $T_A = +25$ °C, $f_{HCLK} = 72$ MHz conforms to IEC 61000-4-4	4A

Designing hardened software to avoid noise problems

EMC characterization and optimization are performed at component level with a typical application environment and simplified MCU software. It should be noted that good EMC performance is highly dependent on the user application and the software in particular.

Therefore it is recommended that the user applies EMC software optimization and prequalification tests in relation with the EMC level requested for his application.

Software recommendations

The software flowchart must include the management of runaway conditions such as:

- Corrupted program counter
- Unexpected reset
- Critical Data corruption (control registers...)

Prequalification trials

Most of the common failures (unexpected reset and program counter corruption) can be reproduced by manually forcing a low state on the NRST pin or the Oscillator pins for 1 second.

To complete these trials, ESD stress can be applied directly on the device, over the range of specification values. When unexpected behavior is detected, the software can be hardened to prevent unrecoverable errors occurring (see application note AN1015).

Electromagnetic Interference (EMI)

The electromagnetic field emitted by the device are monitored while a simple application is executed (toggling 2 LEDs through the I/O ports). This emission test is compliant with IEC 61967-2 standard which specifies the test board and the pin loading.

Table 48. EMI characteristics

Symbol	Parameter	Conditions	Monitored frequency band	Max vs. [f _{HSE} /f _{HCLK}]	Unit
				8/72 MHz	
S _{EMI}	Peak level	V _{DD} = 3.3 V, T _A = 25 °C, LQFP100 package compliant with IEC 61967-2	0.1 to 30 MHz	7	dBμV
			30 to 130 MHz	20	
			130 MHz to 1GHz	27	
			SAE EMI Level	4	-

6.3.12 Electrical sensitivity characteristics

Based on three different tests (ESD, LU) using specific measurement methods, the device is stressed in order to determine its performance in terms of electrical sensitivity.

Electrostatic discharge (ESD)

Electrostatic discharges (a positive then a negative pulse separated by 1 second) are applied to the pins of each sample according to each pin combination. The sample size depends on the number of supply pins in the device (3 parts × (n+1) supply pins). This test conforms to the JESD22-A114/C101 standard.

Table 49. ESD absolute maximum ratings

Symbol	Ratings	Conditions	Class	Maximum value ⁽¹⁾	Unit
V _{ESD(HBM)}	Electrostatic discharge voltage (human body model)	T _A = +25 °C, conforming to JESD22-A114	2	2000	V
V _{ESD(CDM)}	Electrostatic discharge voltage (charge device model)	T _A = +25 °C, conforming to JESD22-C101	II	500	

1. Data based on characterization results, not tested in production.

Static latch-up

Two complementary static tests are required on six parts to assess the latch-up performance:

- A supply overvoltage is applied to each power supply pin
- A current injection is applied to each input, output and configurable I/O pin

These tests are compliant with EIA/JESD 78A IC latch-up standard.

Table 50. Electrical sensitivities

Symbol	Parameter	Conditions	Class
LU	Static latch-up class	$T_A = +105\text{ °C}$ conforming to JESD78A	II level A

6.3.13 I/O current injection characteristics

As a general rule, current injection to the I/O pins, due to external voltage below V_{SS} or above V_{DD} (for standard, 3 V-capable I/O pins) should be avoided during normal product operation. However, in order to give an indication of the robustness of the microcontroller in cases when abnormal injection accidentally happens, susceptibility tests are performed on a sample basis during device characterization.

Functional susceptibility to I/O current injection

While a simple application is executed on the device, the device is stressed by injecting current into the I/O pins programmed in floating input mode. While current is injected into the I/O pin, one at a time, the device is checked for functional failures.

The failure is indicated by an out of range parameter: ADC error above a certain limit (higher than 5 LSB TUE), out of conventional limits of induced leakage current on adjacent pins (out of $-5\text{ }\mu\text{A}/+0\text{ }\mu\text{A}$ range), or other functional failure (for example reset occurrence or oscillator frequency deviation).

The test results are given in [Table 51](#)

Table 51. I/O current injection susceptibility

Symbol	Description	Functional susceptibility		Unit
		Negative injection	Positive injection	
I _{INJ}	Injected current on BOOT0	- 0	NA	mA
	Injected current on PC0, PC1, PC2, PC3, PF2, PA0, PA1, PA2, PA3, PF4, PA4, PA5, PA6, PA7, PC4, PC5, PB2 with induced leakage current on other pins from this group less than -50 µA	- 5	-	
	Injected current on PB0, PB1, PE7, PE8, PE9, PE10, PE11, PE12, PE13, PE14, PE15, PB12, PB13, PB14, PB15, PD8, PD9, PD10, PD11, PD12, PD13, PD14 with induced leakage current on other pins from this group less than -50 µA	- 5	-	
	Injected current on PC0, PC1, PC2, PC3, PF2, PA0, PA1, PA2, PA3, PF4, PA4, PA5, PA6, PA7, PC4, PC5, PB2, PB0, PB1, PE7, PE8, PE9, PE10, PE11, PE12, PE13, PE14, PE15, PB12, PB13, PB14, PB15, PD8, PD9, PD10, PD11, PD12, PD13, PD14 with induced leakage current on other pins from this group less than 400 µA	-	+5	
	Injected current on any other FT and FTf pins	- 5	NA	
	Injected current on any other pins	- 5	+5	

Note: It is recommended to add a Schottky diode (pin to ground) to analog pins which may potentially inject negative currents.

6.3.14 I/O port characteristics

General input/output characteristics

Unless otherwise specified, the parameters given in [Table 52](#) are derived from tests performed under the conditions summarized in [Table 22](#). All I/Os are CMOS and TTL compliant.

Table 52. I/O static characteristics

Symbol	Parameter	Conditions	Min	Typ	Max	Unit
V _{IL}	Low level input voltage	TC and TTa I/O	-	-	0.3 V _{DD} +0.07 ⁽¹⁾	V
		FT and FTf I/O	-	-	0.475 V _{DD} -0.2 ⁽¹⁾	
		BOOT0	-	-	0.3 V _{DD} -0.3 ⁽¹⁾	
		All I/Os except BOOT0	-	-	0.3 V _{DD} ⁽²⁾	
V _{IH}	High level input voltage	TC and TTa I/O	0.445 V _{DD} +0.398 ⁽¹⁾	-	-	V
		FT and FTf I/O	0.5 V _{DD} +0.2 ⁽¹⁾	-	-	
		BOOT0	0.2 V _{DD} +0.95 ⁽¹⁾	-	-	
		All I/Os except BOOT0	0.7 V _{DD} ⁽²⁾	-	-	
V _{hys}	Schmitt trigger hysteresis	TC and TTa I/O	-	200 ⁽¹⁾	-	mV
		FT and FTf I/O	-	100 ⁽¹⁾	-	
		BOOT0	-	300 ⁽¹⁾	-	
I _{lkg}	Input leakage current ⁽³⁾	TC, FT and FTf I/O TTa I/O in digital mode V _{SS} ≤ V _{IN} ≤ V _{DD}	-	-	±0.1	µA
		TTa I/O in digital mode V _{DD} ≤ V _{IN} ≤ V _{DDA}	-	-	1	
		TTa I/O in analog mode V _{SS} ≤ V _{IN} ≤ V _{DDA}	-	-	±0.2	
		FT and FTf I/O ⁽⁴⁾ V _{DD} ≤ V _{IN} ≤ 5 V	-	-	10	
R _{PU}	Weak pull-up equivalent resistor ⁽⁵⁾	V _{IN} = V _{SS}	25	40	55	kΩ
R _{PD}	Weak pull-down equivalent resistor ⁽⁵⁾	V _{IN} = V _{DD}	25	40	55	kΩ
C _{IO}	I/O pin capacitance		-	5	-	pF

1. Data based on design simulation.
2. Tested in production.
3. Leakage could be higher than the maximum value. if negative current is injected on adjacent pins. Refer to [Table 51: I/O current injection susceptibility](#).
4. To sustain a voltage higher than V_{DD} +0.3 V, the internal pull-up/pull-down resistors must be disabled.
5. Pull-up and pull-down resistors are designed with a true resistance in series with a switchable PMOS/NMOS. This PMOS/NMOS contribution to the series resistance is minimum (~10% order).

All I/Os are CMOS and TTL compliant (no software configuration required). Their characteristics cover more than the strict CMOS-technology or TTL parameters. The coverage of these requirements is shown in [Figure 19](#) and [Figure 20](#) for standard I/Os.

Figure 19. TC and TTa I/O input characteristics - CMOS port

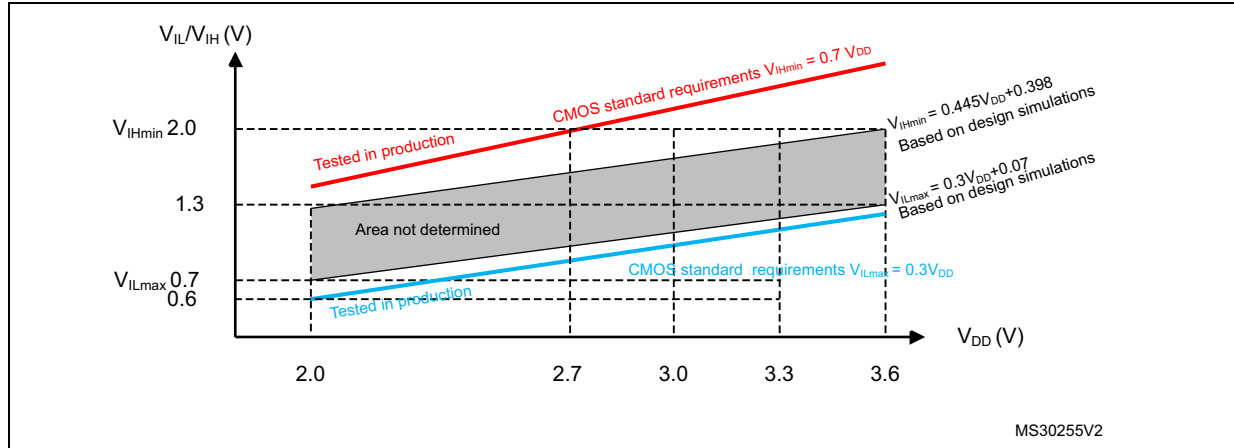


Figure 20. TC and TTa I/O input characteristics - TTL port

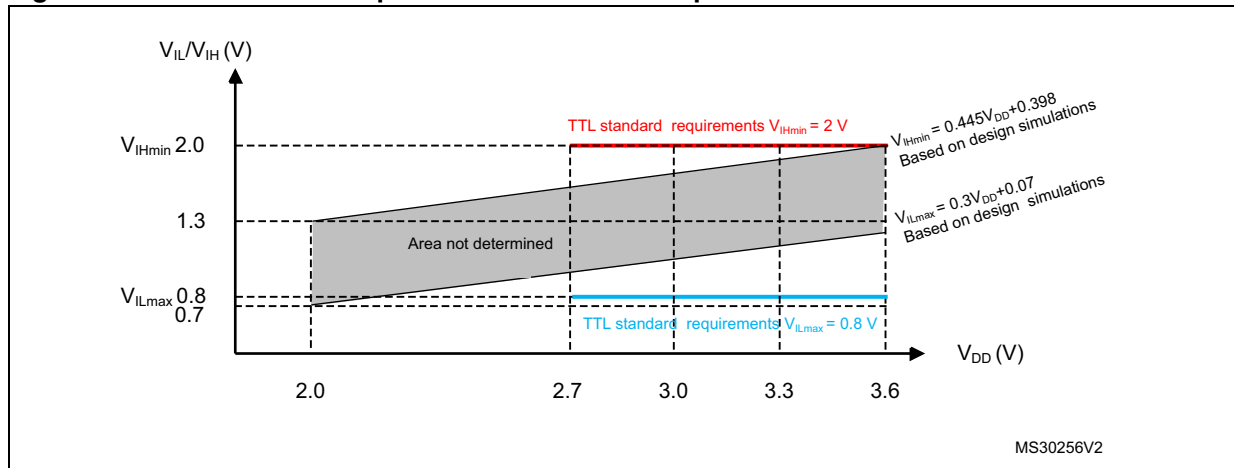


Figure 21. Five volt tolerant (FT and FTf) I/O input characteristics - CMOS port

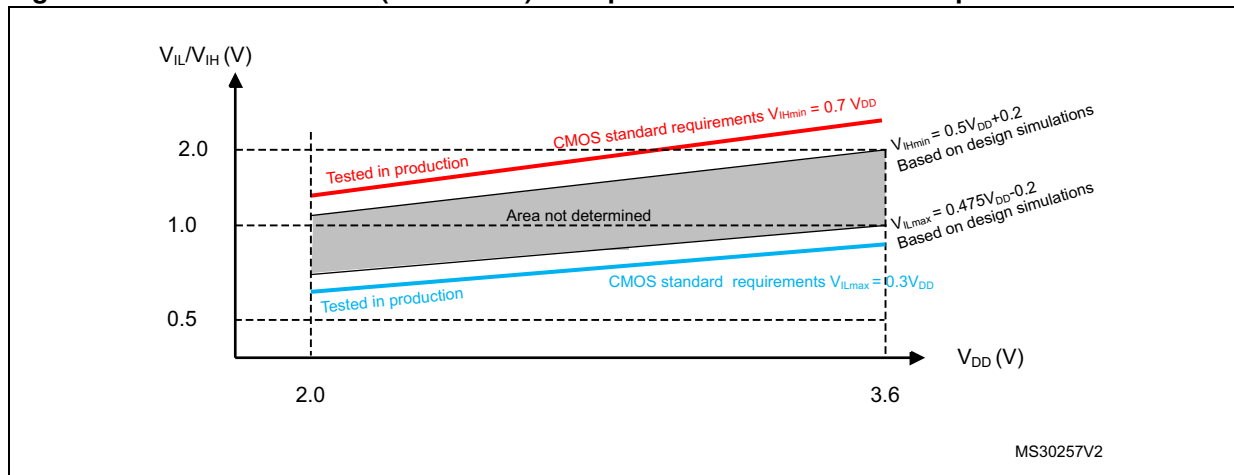
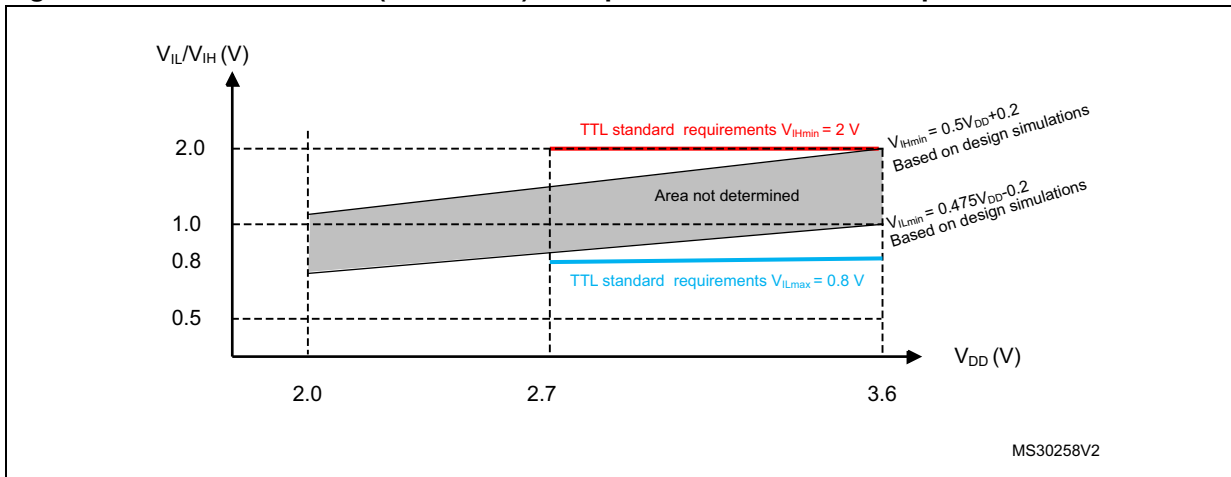


Figure 22. Five volt tolerant (FT and FTf) I/O input characteristics - TTL port



Output driving current

The GPIOs (general purpose input/outputs) can sink or source up to +/-8 mA, and sink or source up to +/- 20 mA (with a relaxed V_{OL}/V_{OH}).

In the user application, the number of I/O pins which can drive current must be limited to respect the absolute maximum rating specified in [Section 6.2](#):

- The sum of the currents sourced by all the I/Os on V_{DD} , plus the maximum Run consumption of the MCU sourced on V_{DD} , cannot exceed the absolute maximum rating $I_{VDD(\Sigma)}$ (see [Table 20](#)).
- The sum of the currents sunk by all the I/Os on V_{SS} plus the maximum Run consumption of the MCU sunk on V_{SS} cannot exceed the absolute maximum rating $I_{VSS(\Sigma)}$ (see [Table 20](#)).

Output voltage levels

Unless otherwise specified, the parameters given in [Table 53](#) are derived from tests performed under ambient temperature and V_{DD} supply voltage conditions summarized in [Table 22](#). All I/Os (FT, TTA and Tc unless otherwise specified) are CMOS and TTL compliant.

Table 53. Output voltage characteristics

Symbol	Parameter	Conditions	Min	Max	Unit
$V_{OL}^{(1)}$	Output low level voltage for an I/O pin	CMOS port ⁽²⁾ $I_{IO} = +8 \text{ mA}$ $2.7 \text{ V} < V_{DD} < 3.6 \text{ V}$	-	0.4	V
$V_{OH}^{(3)}$	Output high level voltage for an I/O pin		$V_{DD}-0.4$	-	
$V_{OL}^{(1)}$	Output low level voltage for an I/O pin	TTL port ⁽²⁾ $I_{IO} = +8 \text{ mA}$ $2.7 \text{ V} < V_{DD} < 3.6 \text{ V}$	-	0.4	
$V_{OH}^{(3)}$	Output high level voltage for an I/O pin		2.4	-	
$V_{OL}^{(1)(4)}$	Output low level voltage for an I/O pin	$I_{IO} = +20 \text{ mA}$ $2.7 \text{ V} < V_{DD} < 3.6 \text{ V}$	-	1.3	
$V_{OH}^{(3)(4)}$	Output high level voltage for an I/O pin		$V_{DD}-1.3$	-	
$V_{OL}^{(1)(4)}$	Output low level voltage for an I/O pin	$I_{IO} = +6 \text{ mA}$ $2 \text{ V} < V_{DD} < 2.7 \text{ V}$	-	0.4	
$V_{OH}^{(3)(4)}$	Output high level voltage for an I/O pin		$V_{DD}-0.4$	-	
$V_{OLFM+}^{(1)(4)}$	Output low level voltage for an FTf I/O pin in FM+ mode	$I_{IO} = +20 \text{ mA}$ $2.7 \text{ V} < V_{DD} < 3.6 \text{ V}$	-	0.4	

1. The I_{IO} current sunk by the device must always respect the absolute maximum rating specified in [Table 20](#) and the sum of I_{IO} (I/O ports and control pins) must not exceed $\Sigma I_{IO(PIN)}$.
2. TTL and CMOS outputs are compatible with JEDEC standards JESD36 and JESD52.
3. The I_{IO} current sourced by the device must always respect the absolute maximum rating specified in [Table 20](#) and the sum of I_{IO} (I/O ports and control pins) must not exceed $\Sigma I_{IO(PIN)}$.
4. Data based on design simulation.

Input/output AC characteristics

The definition and values of input/output AC characteristics are given in [Figure 23](#) and [Table 54](#), respectively.

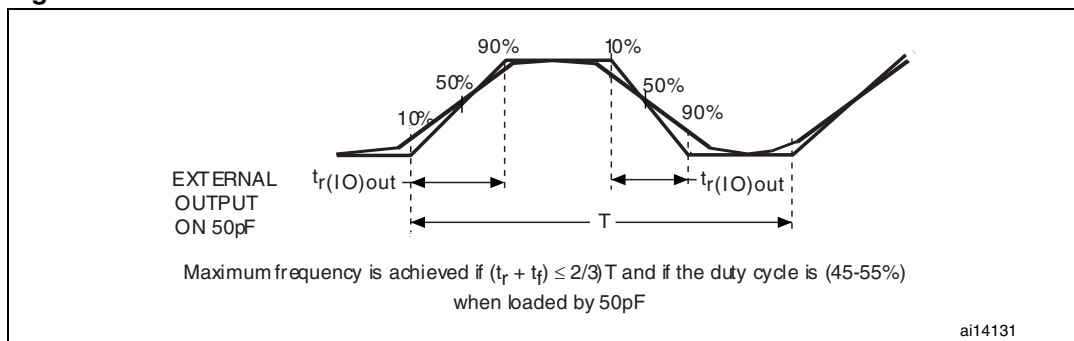
Unless otherwise specified, the parameters given are derived from tests performed under ambient temperature and V_{DD} supply voltage conditions summarized in [Table 22](#).

Table 54. I/O AC characteristics⁽¹⁾

OSPEEDRx[1:0] value ⁽¹⁾	Symbol	Parameter	Conditions	Min	Max	Unit
x0	$f_{max(IO)out}$	Maximum frequency ⁽²⁾	$C_L = 50 \text{ pF}, V_{DD} = 2 \text{ V to } 3.6 \text{ V}$	-	$2^{(3)}$	MHz
	$t_{f(IO)out}$	Output high to low level fall time	$C_L = 50 \text{ pF}, V_{DD} = 2 \text{ V to } 3.6 \text{ V}$	-	$125^{(3)}$	ns
	$t_{r(IO)out}$	Output low to high level rise time		-	$125^{(3)}$	
01	$f_{max(IO)out}$	Maximum frequency ⁽²⁾	$C_L = 50 \text{ pF}, V_{DD} = 2 \text{ V to } 3.6 \text{ V}$	-	$10^{(3)}$	MHz
	$t_{f(IO)out}$	Output high to low level fall time	$C_L = 50 \text{ pF}, V_{DD} = 2 \text{ V to } 3.6 \text{ V}$	-	$25^{(3)}$	ns
	$t_{r(IO)out}$	Output low to high level rise time		-	$25^{(3)}$	
11	$f_{max(IO)out}$	Maximum frequency ⁽²⁾	$C_L = 30 \text{ pF}, V_{DD} = 2.7 \text{ V to } 3.6 \text{ V}$	-	$50^{(3)}$	MHz
			$C_L = 50 \text{ pF}, V_{DD} = 2.7 \text{ V to } 3.6 \text{ V}$	-	$30^{(3)}$	MHz
			$C_L = 50 \text{ pF}, V_{DD} = 2 \text{ V to } 2.7 \text{ V}$	-	$20^{(3)}$	MHz
	$t_{f(IO)out}$	Output high to low level fall time	$C_L = 30 \text{ pF}, V_{DD} = 2.7 \text{ V to } 3.6 \text{ V}$	-	$5^{(3)}$	ns
			$C_L = 50 \text{ pF}, V_{DD} = 2.7 \text{ V to } 3.6 \text{ V}$	-	$8^{(3)}$	
			$C_L = 50 \text{ pF}, V_{DD} = 2 \text{ V to } 2.7 \text{ V}$	-	$12^{(3)}$	
	$t_{r(IO)out}$	Output low to high level rise time	$C_L = 30 \text{ pF}, V_{DD} = 2.7 \text{ V to } 3.6 \text{ V}$	-	$5^{(3)}$	
			$C_L = 50 \text{ pF}, V_{DD} = 2.7 \text{ V to } 3.6 \text{ V}$	-	$8^{(3)}$	
			$C_L = 50 \text{ pF}, V_{DD} = 2 \text{ V to } 2.7 \text{ V}$	-	$12^{(3)}$	
FM+ configuration ⁽⁴⁾	$f_{max(IO)out}$	Maximum frequency ⁽²⁾	$C_L = 50 \text{ pF}, V_{DD} = 2 \text{ V to } 3.6 \text{ V}$	-	$2^{(4)}$	MHz
	$t_{f(IO)out}$	Output high to low level fall time		-	$12^{(4)}$	ns
	$t_{r(IO)out}$	Output low to high level rise time		-	$34^{(4)}$	
-	t_{EXTIpw}	Pulse width of external signals detected by the EXTI controller		$10^{(3)}$	-	ns

1. The I/O speed is configured using the OSPEEDRx[1:0] bits. Refer to the RM0316 reference manual for a description of GPIO Port configuration register.
2. The maximum frequency is defined in [Figure 23](#).
3. Guaranteed by design, not tested in production.
4. The I/O speed configuration is bypassed in FM+ I/O mode. Refer to the STM32F30xB/C reference manual RM0316 for a description of FM+ I/O mode configuration.

Figure 23. I/O AC characteristics definition



6.3.15 NRST pin characteristics

The NRST pin input driver uses CMOS technology. It is connected to a permanent pull-up resistor, R_{PU} (see [Table 52](#)).

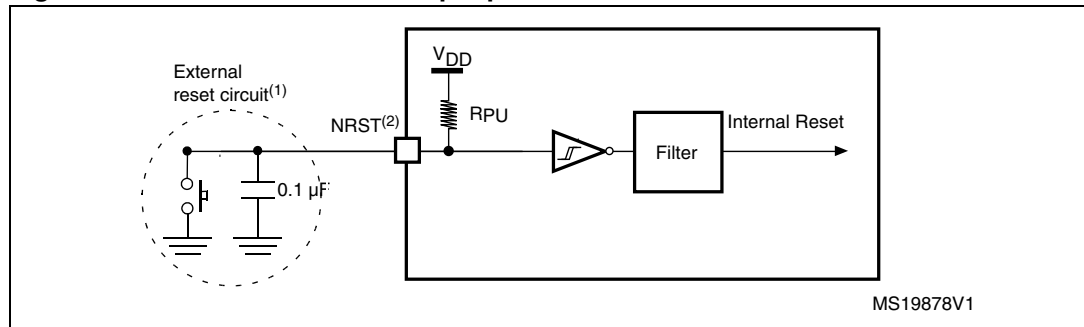
Unless otherwise specified, the parameters given in [Table 55](#) are derived from tests performed under ambient temperature and V_{DD} supply voltage conditions summarized in [Table 22](#).

Table 55. NRST pin characteristics

Symbol	Parameter	Conditions	Min	Typ	Max	Unit
$V_{IL(NRST)}^{(1)}$	NRST Input low level voltage		-	-	$0.3V_{DD} + 0.07^{(1)}$	V
$V_{IH(NRST)}^{(1)}$	NRST Input high level voltage		$0.445V_{DD} + 0.398^{(1)}$	-	-	
$V_{hys(NRST)}$	NRST Schmitt trigger voltage hysteresis		-	200	-	mV
R_{PU}	Weak pull-up equivalent resistor ⁽²⁾	$V_{IN} = V_{SS}$	25	40	55	k Ω
$V_{F(NRST)}^{(1)}$	NRST Input filtered pulse		-	-	100	ns
$V_{NF(NRST)}^{(1)}$	NRST Input not filtered pulse		500	-	-	ns

1. Guaranteed by design, not tested in production.
2. The pull-up is designed with a true resistance in series with a switchable PMOS. This PMOS contribution to the series resistance must be minimum (~10% order).

Figure 24. Recommended NRST pin protection



1. The reset network protects the device against parasitic resets.
2. The user must ensure that the level on the NRST pin can go below the $V_{IL(NRST)}$ max level specified in [Table 55](#). Otherwise the reset will not be taken into account by the device.

6.3.16 Timer characteristics

Symbol	Parameter	Conditions	Min	Typ	Max	Unit
$V_{IL(NPOR)}^{(1)}$	NPOR Input low level voltage				$0.475V_{DDA} - 0.2$	V
$V_{IH(NPOR)}^{(1)}$	NPOR Input high level voltage		$0.5V_{DDA} + 0.2$			
$V_{hys(NPOR)}^{(1)}$	NPOR Schmitt trigger voltage hysteresis			200		mV
R_{PU}	Weak pull-up equivalent resistor ⁽²⁾	$V_{IN} = V_{SS}$	25	40	55	k Ω

1. Guaranteed by design, not tested in production.
2. The pull-up is designed with a true resistance in series with a switchable PMOS. This PMOS contribution to the series resistance is minimal (~10% order).

The parameters given in [Table 56](#) are guaranteed by design.

Refer to [Section 6.3.14: I/O port characteristics](#) for details on the input/output alternate function characteristics (output compare, input capture, external clock, PWM output).

Table 56. TIMx⁽¹⁾ characteristics

Symbol	Parameter	Conditions	Min	Max	Unit
$t_{res(TIM)}^{(2)}$	Timer resolution time		1	-	$t_{TIMxCLK}$
		$f_{TIMxCLK} = 72 \text{ MHz}$ (except TIM1/8)	13.9	-	ns
		$f_{TIMxCLK} = 144 \text{ MHz}$, $x = 1.8$	6.95	-	ns
$f_{EXT}^{(2)}$	Timer external clock frequency on CH1 to CH4		0	$f_{TIMxCLK}/2$	MHz
		$f_{TIMxCLK} = 72 \text{ MHz}$	0	36	MHz
$Res_{TIM}^{(2)}$	Timer resolution	TIMx (except TIM2)	-	16	bit
		TIM2	-	32	

Table 56. TIMx⁽¹⁾ characteristics (continued)

Symbol	Parameter	Conditions	Min	Max	Unit
t _{COUNTER} ⁽²⁾	16-bit counter clock period		1	65536	t _{TIMxCLK}
		f _{TIMxCLK} = 72 MHz (except TIM1/8)	0.0139	910	μs
		f _{TIMxCLK} = 144 MHz, x= 1.8	0.0069	455	μs
t _{MAX_COUNT} ⁽²⁾	Maximum possible count with 32-bit counter		-	65536 × 65536	t _{TIMxCLK}
		f _{TIMxCLK} = 72 MHz	-	59.65	s
		f _{TIMxCLK} = 144 MHz, x= 1.8	-	29.825	s

1. TIMx is used as a general term to refer to the TIM1, TIM2, TIM3, TIM4, TIM8, TIM15, TIM16 and TIM17 timers
2. Guaranteed by design, not tested in production.

Table 57. IWDG min/max timeout period at 40 kHz (LSI) ⁽¹⁾

Prescaler divider	PR[2:0] bits	Min timeout (ms) RL[11:0]= 0x000	Max timeout (ms) RL[11:0]= 0xFFFF
/4	0	0.1	409.6
/8	1	0.2	819.2
/16	2	0.4	1638.4
/32	3	0.8	3276.8
/64	4	1.6	6553.6
/128	5	3.2	13107.2
/256	7	6.4	26214.4

1. These timings are given for a 40 kHz clock but the microcontroller's internal RC frequency can vary from 30 to 60 kHz. Moreover, given an exact RC oscillator frequency, the exact timings still depend on the phasing of the APB interface clock versus the LSI clock so that there is always a full RC period of uncertainty.

Table 58. WWDG min-max timeout value @72 MHz (PCLK)

Prescaler	WDGTB	Min timeout value	Max timeout value
1	0	0.05687 ⁽¹⁾	3.6409 ⁽¹⁾
2	1	0.1137 ⁽¹⁾	7.2817 ⁽¹⁾
4	2	0.2275 ⁽¹⁾	14.564 ⁽¹⁾
8	3	0.4551 ⁽¹⁾	29.127 ⁽¹⁾

1. Guaranteed by design, not tested in production.

6.3.17 Communications interfaces

I²C interface characteristics

Unless otherwise specified, the parameters given in [Table 59](#) are derived from tests performed under ambient temperature, f_{PCLK1} frequency and V_{DD} supply voltage conditions summarized in [Table 22](#).

The I²C interface meets the requirements of the standard I²C communication protocol with the following restrictions: the I/O pins SDA and SCL are mapped to are not “true” open-drain. When configured as open-drain, the PMOS connected between the I/O pin and V_{DD} is disabled, but is still present.

The I²C characteristics are described in [Table 59](#). Refer also to [Section 6.3.14: I/O port characteristics](#) for more details on the input/output alternate function characteristics (SDA and SCL).

Table 59. I²C characteristics⁽¹⁾

Symbol	Parameter	Standard mode		Fast mode		Fast Mode Plus		Unit
		Min	Max	Min	Max	Min	Max	
$t_{w(SCLL)}$	SCL clock low time	4.7	-	1.3	-	0.5	-	μs
$t_{w(SCLH)}$	SCL clock high time	4.0	-	0.6	-	0.26	-	
$t_{su(SDA)}$	SDA setup time	250	-	100	-	50	-	ns
$t_h(SDA)$	SDA data hold time	0 ⁽³⁾	3450 ⁽²⁾	0 ⁽³⁾	900 ⁽²⁾	0	450	
$t_r(SDA)$ $t_r(SCL)$	SDA and SCL rise time	-	1000	-	300	-	120	
$t_f(SDA)$ $t_f(SCL)$	SDA and SCL fall time	-	300	-	300	-	120	
$t_h(STA)$	Start condition hold time	4.0	-	0.6	-	0.26	-	μs
$t_{su(STA)}$	Repeated Start condition setup time	4.7	-	0.6	-	0.26	-	μs
$t_{su(STO)}$	Stop condition setup time	4.0	-	0.6	-	0.26	-	μs
$t_w(STO:STA)$	Stop to Start condition time (bus free)	4.7	-	1.3	-	0.5	-	μs
C_b	Capacitive load for each bus line	-	400	-	400	-	550	pF

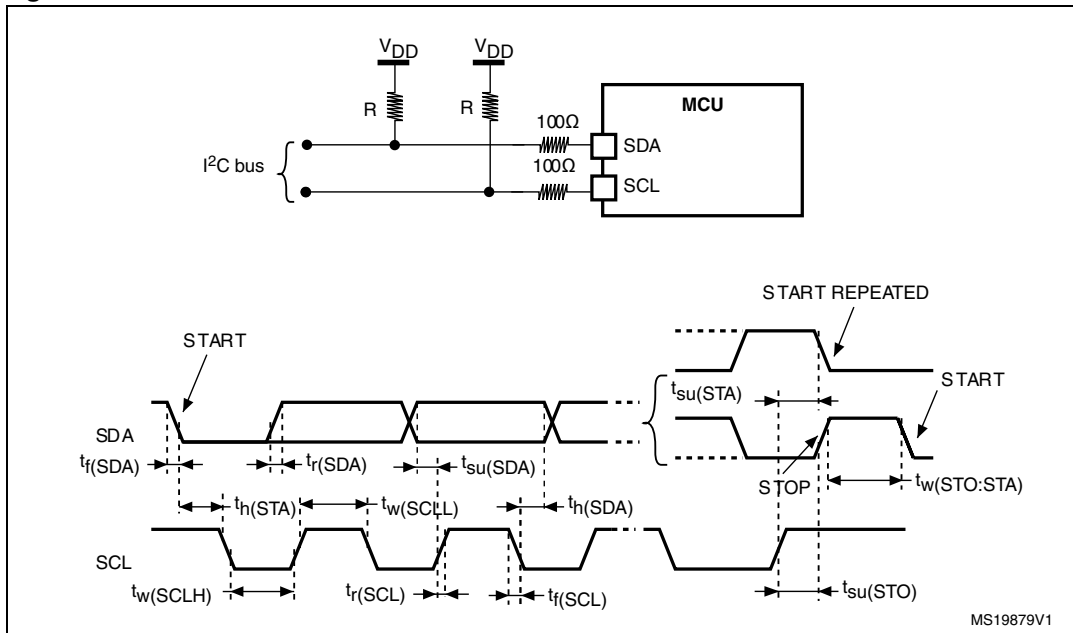
1. The I2C characteristics are the requirements from I2C bus specification rev03. They are guaranteed by design when I2Cx_TIMING register is correctly programmed (Refer to reference manual). These characteristics are not tested in production.
2. The maximum Data hold time has only to be met if the interface does not stretch the low period of SCL signal.
3. The device must internally provide a hold time of at least 300ns for the SDA signal in order to bridge the undefined region of the falling edge of SCL.

Table 60. I2C analog filter characteristics⁽¹⁾

Symbol	Parameter	Min	Max	Unit
t_{SP}	Pulse width of spikes that are suppressed by the analog filter	50	260	ns

1. Guaranteed by design, not tested in production.

Figure 25. I²C bus AC waveforms and measurement circuit



1. Measurement points are done at CMOS levels: $0.3V_{DD}$ and $0.7V_{DD}$.

SPI/I²S characteristics

Unless otherwise specified, the parameters given in [Table 61](#) for SPI or in [Table 62](#) for I²S are derived from tests performed under ambient temperature, f_{PCLKx} frequency and V_{DD} supply voltage conditions summarized in [Table 22](#).

Refer to [Section 6.3.14: I/O port characteristics](#) for more details on the input/output alternate function characteristics (NSS, SCK, MOSI, MISO for SPI and WS, CK, SD for I²S).

Table 61. SPI characteristics

Symbol	Parameter	Conditions	Min	Max	Unit
f_{SCK} $1/t_{c(SCK)}^{(1)}$	SPI clock frequency	Master mode	-	18	MHz
		Slave mode	-	18	
$t_{r(SCK)}^{(1)}$ $t_{f(SCK)}^{(1)}$	SPI clock rise and fall time	Capacitive load: C = 30 pF	-	8	ns
$DuCy(SCK)^{(1)}$	SPI slave input clock duty cycle	Slave mode	30	70	%
$t_{su(NSS)}^{(1)}$	NSS setup time	Slave mode	2T _{pclk}	-	ns
$t_{h(NSS)}^{(1)}$	NSS hold time	Slave mode	4T _{pclk}	-	
$t_{w(SCKH)}^{(1)}$ $t_{w(SCKL)}^{(1)}$	SCK high and low time	Master mode, $f_{PCLK} = 36$ MHz, $presc = 4$	T _{pclk} /2 - 3	T _{pclk} /2 + 3	
$t_{su(MI)}^{(1)}$ $t_{su(SI)}^{(1)}$	Data input setup time	Master mode	5.5	-	
		Slave mode	6.5	-	
$t_{h(MI)}^{(1)}$ $t_{h(SI)}^{(1)}$	Data input hold time	Master mode	5	-	
		Slave mode	5	-	
$t_{a(SO)}^{(1)(2)}$	Data output access time	Slave mode, $f_{PCLK} = 24$ MHz	0	4T _{pclk}	
$t_{dis(SO)}^{(1)(3)}$	Data output disable time	Slave mode	0	24	
$t_{v(SO)}^{(1)}$	Data output valid time	Slave mode (after enable edge)	-	39	
$t_{v(MO)}^{(1)}$	Data output valid time	Master mode (after enable edge)	-	3	
$t_{h(SO)}^{(1)}$ $t_{h(MO)}^{(1)}$	Data output hold time	Slave mode (after enable edge)	15	-	
		Master mode (after enable edge)	4	-	

1. Data based on characterization results, not tested in production.
2. Min time is for the minimum time to drive the output and the max time is for the maximum time to validate the data.
3. Min time is for the minimum time to invalidate the output and the max time is for the maximum time to put the data in Hi-Z.

Figure 26. SPI timing diagram - slave mode and CPHA = 0

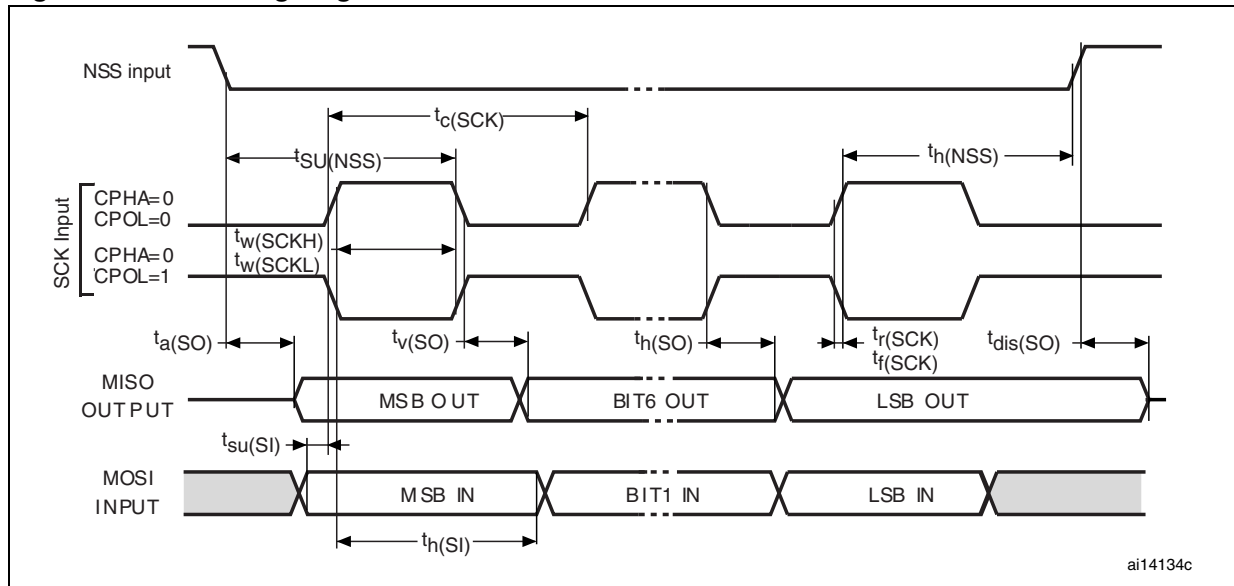
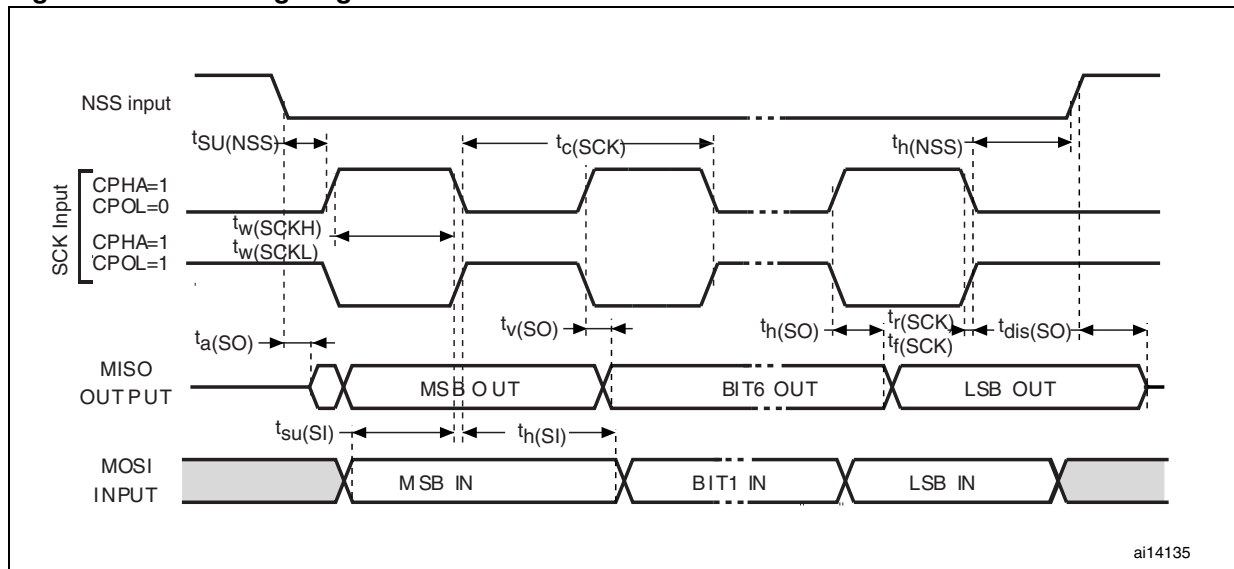
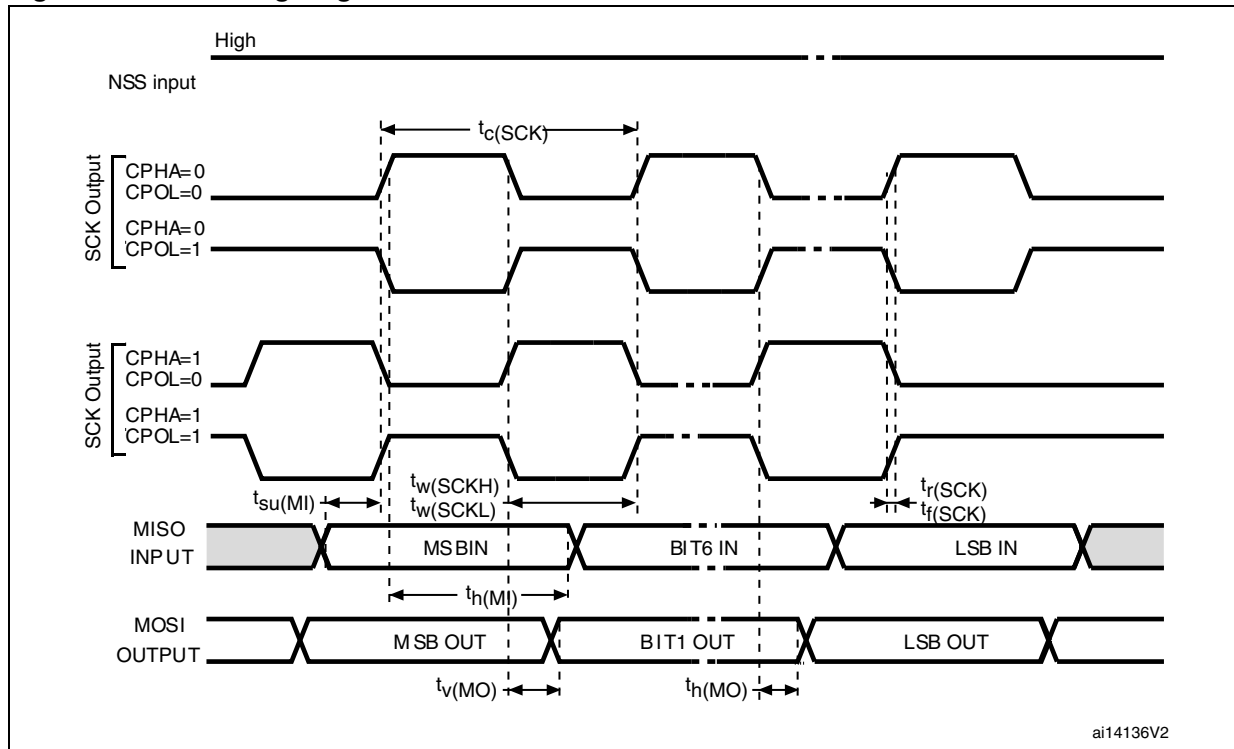


Figure 27. SPI timing diagram - slave mode and CPHA = 1⁽¹⁾



1. Measurement points are done at $0.5V_{DD}$ and with external $C_L = 30$ pF.

Figure 28. SPI timing diagram - master mode⁽¹⁾



1. Measurement points are done at 0.5V_{DD} and with external C_L = 30 pF.

Table 62. I²S characteristics

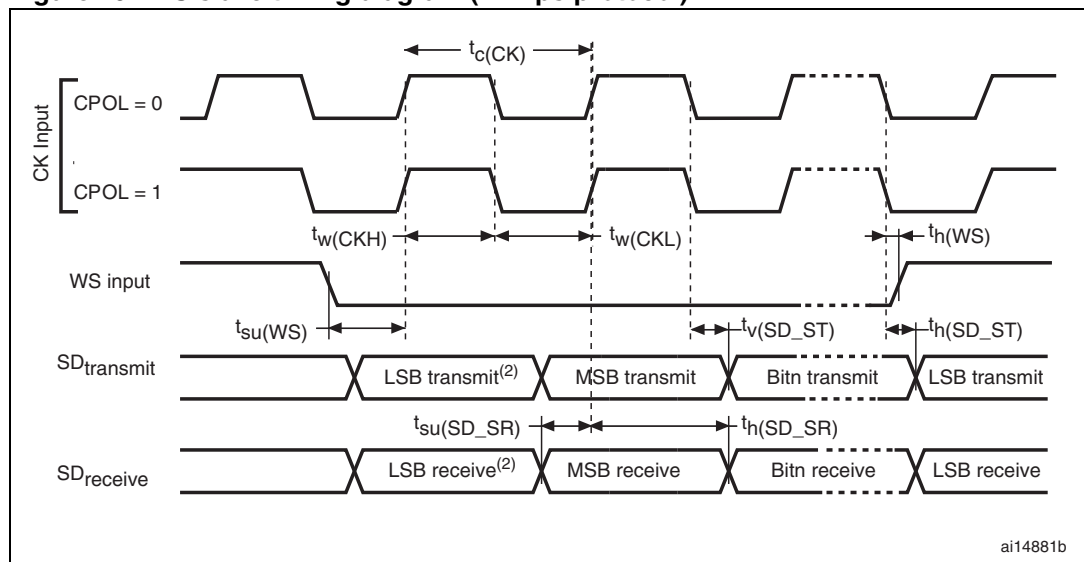
Symbol	Parameter	Conditions	Min	Max	Unit
f_{CK} $1/t_c(CK)^{(1)}$	I ² S clock frequency	Master data: 16 bits, audio freq=48 kHz	1.496	1.503	MHz
		Slave	0	12.288	
$t_r(CK)^{(1)}$ $t_f(CK)^{(1)}$	I ² S clock rise and fall time	Capacitive load C _L = 30 pF	-	8	ns
$t_w(CKH)^{(1)}$	I ² S clock high time	Master f_{PCLK} = 36 MHz, audio frequency = 48 kHz	331	-	
$t_w(CKL)^{(1)}$	I ² S clock low time		332	-	
$t_v(WS)^{(1)}$	WS valid time	Master mode	4	-	
$t_h(WS)^{(1)}$	WS hold time	Master mode	4	-	
$t_{su}(WS)^{(1)}$	WS setup time	Slave mode	4	-	
$t_h(WS)^{(1)}$	WS hold time	Slave mode	0	-	
Duty Cycle ⁽¹⁾	I ² S slave input clock duty cycle	Slave mode	30	70	

Table 62. I²S characteristics (continued)

Symbol	Parameter	Conditions	Min	Max	Unit
$t_{su(SD_MR)}^{(1)}$	Data input setup time	Master receiver	9		ns
$t_{su(SD_SR)}^{(1)}$	Data input setup time	Slave receiver	2		
$t_{h(SD_MR)}^{(1)}$	Data input hold time	Master receiver	0		
$t_{h(SD_SR)}^{(1)}$		Slave receiver	0		
$t_{v(SD_ST)}^{(1)}$	Data output valid time	Slave transmitter (after enable edge)		29	
$t_{h(SD_ST)}^{(1)}$	Data output hold time	Slave transmitter (after enable edge)	12		
$t_{v(SD_MT)}^{(1)}$	Data output valid time	Master transmitter (after enable edge)		3	
$t_{h(SD_MT)}^{(1)}$	Data output hold time	Master transmitter (after enable edge)	2		

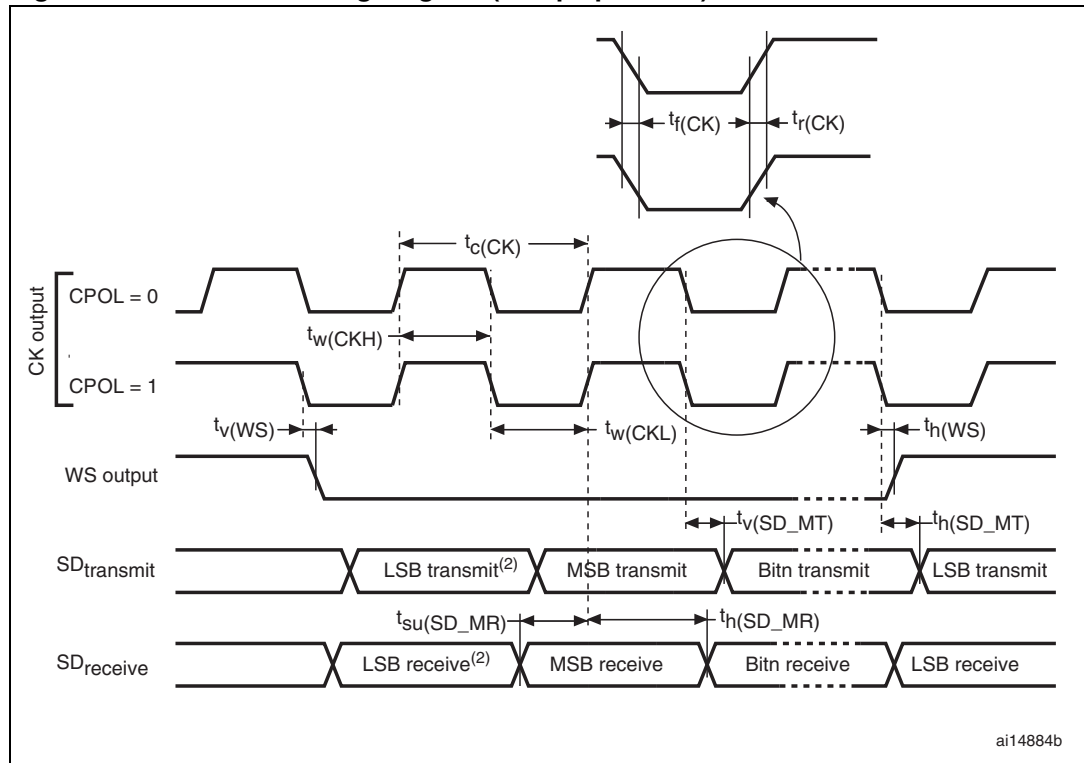
1. Data based on characterization results, not tested in production.

Figure 29. I²S slave timing diagram (Philips protocol)⁽¹⁾



1. Measurement points are done at 0.5V_{DD} and with external C_L=30 pF
2. LSB transmit/receive of the previously transmitted byte. No LSB transmit/receive is sent before the first byte.

Figure 30. I²S master timing diagram (Philips protocol)⁽¹⁾



1. Measurement points are done at 0.5V_{DD} and with external C_L=30 pF
2. LSB transmit/receive of the previously transmitted byte. No LSB transmit/receive is sent before the first byte.

USB characteristics

Table 63. USB startup time

Symbol	Parameter	Max	Unit
t _{STARTUP} ⁽¹⁾	USB transceiver startup time	1	µs

1. Guaranteed by design, not tested in production.

Table 64. USB DC electrical characteristics

Symbol	Parameter	Conditions	Min. ⁽¹⁾	Max. ⁽¹⁾	Unit
Input levels					
V _{DD}	USB operating voltage ⁽²⁾		3.0 ⁽³⁾	3.6	V
V _{DI} ⁽⁴⁾	Differential input sensitivity	I(USB_DP, USB_DM)	0.2	-	V
V _{CM} ⁽⁴⁾	Differential common mode range	Includes V _{DI} range	0.8	2.5	
V _{SE} ⁽⁴⁾	Single ended receiver threshold		1.3	2.0	
Output levels					
V _{OL}	Static output level low	R _L of 1.5 kΩ to 3.6 V ⁽⁵⁾	-	0.3	V
V _{OH}	Static output level high	R _L of 15 kΩ to V _{SS} ⁽⁵⁾	2.8	3.6	

1. All the voltages are measured from the local ground potential.
2. To be compliant with the USB 2.0 full-speed electrical specification, the USB_DP (D+) pin should be pulled up with a 1.5 kΩ resistor to a 3.0-to-3.6 V voltage range.
3. The STM32F3xxx USB functionality is ensured down to 2.7 V but not the full USB electrical characteristics which are degraded in the 2.7-to-3.0 V V_{DD} voltage range.
4. Guaranteed by design, not tested in production.
5. R_L is the load connected on the USB drivers

Figure 31. USB timings: definition of data signal rise and fall time

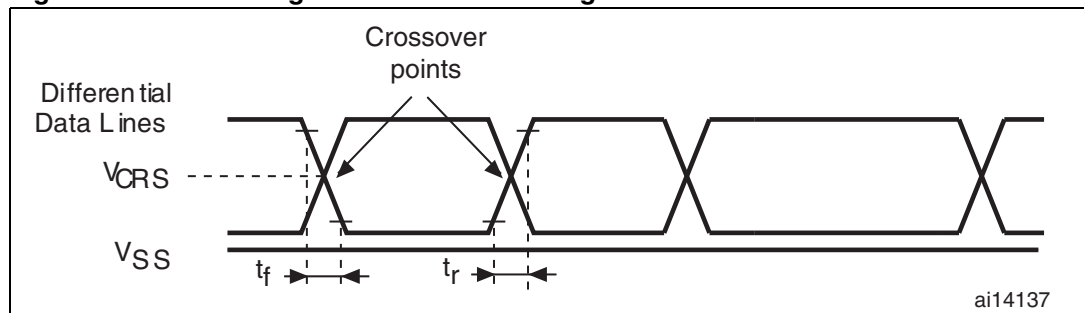


Table 65. USB: Full-speed electrical characteristics⁽¹⁾

Symbol	Parameter	Conditions	Min	Typ	Max	Unit
Driver characteristics						
t_r	Rise time ⁽²⁾	$C_L = 50 \text{ pF}$	4	-	20	ns
t_f	Fall time ⁽²⁾	$C_L = 50 \text{ pF}$	4	-	20	ns
t_{rfm}	Rise/ fall time matching	t_r/t_f	90	-	110	%
V_{CRS}	Output signal crossover voltage		1.3	-	2.0	V
Output driver Impedance ⁽³⁾	Z_{DRV}	driving high and low	28	40	44	Ω

1. Guaranteed by design, not tested in production.
2. Measured from 10% to 90% of the data signal. For more detailed informations, please refer to USB Specification - Chapter 7 (version 2.0).
3. No external termination series resistors are required on USB_DP (D+) and USB_DM (D-), the matching impedance is already included in the embedded driver.

CAN (controller area network) interface

Refer to [Section 6.3.14: I/O port characteristics](#) for more details on the input/output alternate function characteristics (CAN_TX and CAN_RX).

6.3.18 ADC characteristics

Unless otherwise specified, the parameters given in [Table 66](#) to [Table 69](#) are guaranteed by design, with conditions summarized in [Table 22](#).

Table 66. ADC characteristics

Symbol	Parameter	Conditions	Min	Typ	Max	Unit
V_{DDA}	Analog supply voltage for ADC		2	-	3.6	V
f_{ADC}	ADC clock frequency		0.14	-	72	MHz
$f_S^{(1)}$	Sampling rate	Resolution = 12 bits, Fast Channel	0.01	-	5.14	MSPS
		Resolution = 10 bits, Fast Channel	0.012	-	6	
		Resolution = 8 bits, Fast Channel	0.014	-	7.2	
		Resolution = 6 bits, Fast Channel	0.0175	-	9	
$f_{TRIG}^{(1)}$	External trigger frequency	$f_{ADC} = 72$ MHz Resolution = 12 bits	-	-	5.14	MHz
		Resolution = 12 bits	-	-	14	$1/f_{ADC}$
V_{AIN}	Conversion voltage range		0	-	V_{DDA}	V
$R_{AIN}^{(1)}$	External input impedance		-	-	100	k Ω
$C_{ADC}^{(1)}$	Internal sample and hold capacitor		-	5	-	pF
$t_{CAL}^{(1)}$	Calibration time	$f_{ADC} = 72$ MHz	1.56			μ s
			112			$1/f_{ADC}$
$t_{latr}^{(1)}$	Trigger conversion latency Regular and injected channels without conversion abort	CKMODE = 00	1.5	2	2.5	$1/f_{ADC}$
		CKMODE = 01	-	-	2	$1/f_{ADC}$
		CKMODE = 10	-	-	2.25	$1/f_{ADC}$
		CKMODE = 11	-	-	2.125	$1/f_{ADC}$
$t_{latrinj}^{(1)}$	Trigger conversion latency Injected channels aborting a regular conversion	CKMODE = 00	2.5	3	3.5	$1/f_{ADC}$
		CKMODE = 01	-	-	3	$1/f_{ADC}$
		CKMODE = 10	-	-	3.25	$1/f_{ADC}$
		CKMODE = 11	-	-	3.125	$1/f_{ADC}$
$t_S^{(1)}$	Sampling time	$f_{ADC} = 72$ MHz	0.021	-	8.35	μ s
			1.5	-	601.5	$1/f_{ADC}$
$T_{ADCVREG_STUP}^{(1)}$	ADC Voltage Regulator Start-up time		-	-	10	μ s
$t_{CONV}^{(1)}$	Total conversion time (including sampling time)	$f_{ADC} = 72$ MHz Resolution = 12 bits	0.19	-	3.5	μ s
		Resolution = 12 bits	14 to 252 (t_S for sampling + 12.5 for successive approximation)			$1/f_{ADC}$

1. Data guaranteed by design

Table 67. Maximum ADC R_{AIN}

Resolution	Sampling cycle @ 72 MHz	Sampling time [ns] @ 72 MHz	R _{AIN} max (kΩ)		
			Fast channels ⁽¹⁾	Slow channels	Other channels ⁽²⁾
12 bits	1.5	20.83	0.018	NA	NA
	2.5	34.72	0.150	NA	0.022
	4.5	62.50	0.470	0.220	0.180
	7.5	104.17	0.820	0.560	0.470
	19.5	270.83	2.70	1.80	1.50
	61.5	854.17	8.20	6.80	4.70
	181.5	2520.83	22.0	18.0	15.0
	601.5	8354.17	82.0	68.0	47.0
10 bits	1.5	20.83	0.082	NA	NA
	2.5	34.72	0.270	0.082	0.100
	4.5	62.50	0.560	0.390	0.330
	7.5	104.17	1.20	0.82	0.68
	19.5	270.83	3.30	2.70	2.20
	61.5	854.17	10.0	8.2	6.8
	181.5	2520.83	33.0	27.0	22.0
	601.5	8354.17	100.0	82.0	68.0
8 bits	1.5	20.83	0.150	NA	0.039
	2.5	34.72	0.390	0.180	0.180
	4.5	62.50	0.820	0.560	0.470
	7.5	104.17	1.50	1.20	1.00
	19.5	270.83	3.90	3.30	2.70
	61.5	854.17	12.00	12.00	8.20
	181.5	2520.83	39.00	33.00	27.00
	601.5	8354.17	100.00	100.00	82.00
6 bits	1.5	20.83	0.270	0.100	0.150
	2.5	34.72	0.560	0.390	0.330
	4.5	62.50	1.200	0.820	0.820
	7.5	104.17	2.20	1.80	1.50
	19.5	270.83	5.60	4.70	3.90
	61.5	854.17	18.0	15.0	12.0
	181.5	2520.83	56.0	47.0	39.0
	601.5	8354.17	100.00	100.0	100.0

1. All fast channels, except channels on PA2, PA6, PB1, PB12.

2. Channels available on PA2, PA6, PB1 and PB12.

Table 68. ADC accuracy - limited test conditions ⁽¹⁾⁽²⁾

Symbol	Parameter	Conditions		Min ⁽³⁾	Typ	Max ⁽³⁾	Unit	
ET	Total unadjusted error	ADC clock freq. ≤ 72 MHz Sampling freq ≤ 5 Msps $V_{DDA} = V_{REF+} = 3.3$ V 25°C	Single ended	Fast channel 5.1 Ms	-	± 3.5	± 6	LSB
				Slow channel 4.8 Ms	-	± 4.5	± 7	
			Differential	Fast channel 5.1 Ms	-	± 3.5	± 6	
				Slow channel 4.8 Ms	-	± 3.5	± 6	
EO	Offset error	ADC clock freq. ≤ 72 MHz Sampling freq ≤ 5 Msps $V_{DDA} = V_{REF+} = 3.3$ V 25°C	Single ended	Fast channel 5.1 Ms	-	± 1	± 5	
				Slow channel 4.8 Ms	-	± 1	± 5	
			Differential	Fast channel 5.1 Ms	-	± 1	± 3	
				Slow channel 4.8 Ms	-	± 1	± 3	
EG	Gain error	ADC clock freq. ≤ 72 MHz Sampling freq ≤ 5 Msps $V_{DDA} = V_{REF+} = 3.3$ V 25°C	Single ended	Fast channel 5.1 Ms	-	± 3	± 6	
				Slow channel 4.8 Ms	-	± 4	± 6	
			Differential	Fast channel 5.1 Ms	-	± 1	± 2	
				Slow channel 4.8 Ms	-	± 1.5	± 3	
ED	Differential linearity error	ADC clock freq. ≤ 72 MHz Sampling freq ≤ 5 Msps $V_{DDA} = V_{REF+} = 3.3$ V 25°C	Single ended	Fast channel 5.1 Ms	-	± 1	± 1	
				Slow channel 4.8 Ms	-	± 1	± 1.5	
			Differential	Fast channel 5.1 Ms	-	± 1	± 1	
				Slow channel 4.8 Ms	-	± 1	± 1	
EL	Integral linearity error	ADC clock freq. ≤ 72 MHz Sampling freq ≤ 5 Msps $V_{DDA} = V_{REF+} = 3.3$ V 25°C	Single ended	Fast channel 5.1 Ms	-	± 1.5	± 3	
				Slow channel 4.8 Ms	-	± 2	± 3	
			Differential	Fast channel 5.1 Ms	-	± 1	± 2	
				Slow channel 4.8 Ms	-	± 1	± 2	
ENOB	Effective number of bits	ADC clock freq. ≤ 72 MHz Sampling freq ≤ 5 Msps $V_{DDA} = V_{REF+} = 3.3$ V 25°C	Single ended	Fast channel 5.1 Ms	10.3	10.7	-	bits
				Slow channel 4.8 Ms	10.4	10.7	-	
			Differential	Fast channel 5.1 Ms	10.9	11.3	-	
				Slow channel 4.8 Ms	10.9	11.3	-	
SINAD	Signal-to-noise and distortion ratio	ADC clock freq. ≤ 72 MHz Sampling freq ≤ 5 Msps $V_{DDA} = V_{REF+} = 3.3$ V 25°C	Single ended	Fast channel 5.1 Ms	64	66	-	dB
				Slow channel 4.8 Ms	65	66	-	
			Differential	Fast channel 5.1 Ms	67	70	-	
				Slow channel 4.8 Ms	67	70	-	

Table 68. ADC accuracy - limited test conditions ⁽¹⁾⁽²⁾ (continued)

Symbol	Parameter	Conditions			Min ⁽³⁾	Typ	Max ⁽³⁾	Unit	
SNR	Signal-to-noise ratio	ADC clock freq. ≤ 72 MHz Sampling freq ≤ 5 Msps $V_{DDA} = V_{REF+} = 3.3 V$ 25°C	Single ended	Fast channel 5.1 Ms	64	67	-	dB	
				Slow channel 4.8 Ms	65	67	-		
			Differential	Fast channel 5.1 Ms	68	70	-		
				Slow channel 4.8 Ms	69	70	-		
THD	Total harmonic distortion			Single ended	Fast channel 5.1 Ms	-	-75		-72
					Slow channel 4.8 Ms	-	-72		-70
				Differential	Fast channel 5.1 Ms	-	-80		-74
					Slow channel 4.8 Ms	-	-76		-71

1. ADC DC accuracy values are measured after internal calibration.
2. ADC accuracy vs. negative Injection Current: Injecting negative current on any analog input pins should be avoided as this significantly reduces the accuracy of the conversion being performed on another analog input. It is recommended to add a Schottky diode (pin to ground) to analog pins which may potentially inject negative current. Any positive injection current within the limits specified for $I_{INJ(PIN)}$ and $\Sigma I_{INJ(PIN)}$ in [Section 6.3.14](#) does not affect the ADC accuracy.
3. Data based on characterization results, not tested in production.

Table 69. ADC accuracy (1)(2)(3)

Symbol	Parameter	Conditions		Min ⁽⁴⁾	Max ⁽⁴⁾	Unit	
ET	Total unadjusted error	ADC clock freq. ≤ 72 MHz, Sampling freq. ≤ 5 Msp $2V \leq V_{DDA}, V_{REF+} \leq 3.6$ V	Single Ended	Fast channel 5.1 Ms	-	± 7	LSB
				Slow channel 4.8 Ms	-	± 7	
			Differential	Fast channel 5.1 Ms	-	± 7	
				Slow channel 4.8 Ms	-	± 7	
EO	Offset error		Single Ended	Fast channel 5.1 Ms	-	± 5	
				Slow channel 4.8 Ms	-	± 5	
			Differential	Fast channel 5.1 Ms	-	± 4	
				Slow channel 4.8 Ms	-	± 4	
EG	Gain error	Single Ended	Fast channel 5.1 Ms	-	± 7		
			Slow channel 4.8 Ms	-	± 7		
		Differential	Fast channel 5.1 Ms	-	± 3		
			Slow channel 4.8 Ms	-	± 3		
ED	Differential linearity error	Single Ended	Fast channel 5.1 Ms	-	± 1.5		
			Slow channel 4.8 Ms	-	± 1.5		
		Differential	Fast channel 5.1 Ms	-	± 1.5		
			Slow channel 4.8 Ms	-	± 1		
EL	Integral linearity error	Single Ended	Fast channel 5.1 Ms	-	± 3		
			Slow channel 4.8 Ms	-	± 3		
		Differential	Fast channel 5.1 Ms	-	± 2		
			Slow channel 4.8 Ms	-	± 2		
ENOB	Effective number of bits	Single Ended	Fast channel 5.1 Ms	10.2	-	bits	
			Slow channel 4.8 Ms	10.2	-		
		Differential	Fast channel 5.1 Ms	10.8	-		
			Slow channel 4.8 Ms	10.8	-		

Table 69. ADC accuracy (1)(2)(3) (continued)

Symbol	Parameter	Conditions	Min (4)	Max(4)	Unit	
SINAD	Signal-to-noise and distortion ratio	ADC clock freq. ≤ 72 MHz, Sampling freq. ≤ 5 Msps, $2V \leq V_{DDA}, V_{REF+} \leq 3.6$ V	Single Ended	Fast channel 5.1 Ms	-	63
				Slow channel 4.8 Ms	-	63
			Differential	Fast channel 5.1 Ms	-	67
				Slow channel 4.8 Ms	-	67
SNR	Signal-to-noise ratio		Single Ended	Fast channel 5.1 Ms	64	-
				Slow channel 4.8 Ms	64	-
			Differential	Fast channel 5.1 Ms	67	-
				Slow channel 4.8 Ms	67	-
THD	Total harmonic distortion	Single Ended	Fast channel 5.1 Ms	-	-71	
			Slow channel 4.8 Ms	-	-69	
		Differential	Fast channel 5.1 Ms	-	-73	
			Slow channel 4.8 Ms	-	-70	

1. ADC DC accuracy values are measured after internal calibration.
2. ADC accuracy vs. negative Injection Current: Injecting negative current on any analog input pins should be avoided as this significantly reduces the accuracy of the conversion being performed on another analog input. It is recommended to add a Schottky diode (pin to ground) to analog pins which may potentially inject negative current. Any positive injection current within the limits specified for $I_{INJ(PIN)}$ and $\Sigma I_{INJ(PIN)}$ in Section 6.3.14 does not affect the ADC accuracy.
3. Better performance may be achieved in restricted V_{DDA} , frequency and temperature ranges.
4. Data based on characterization results, not tested in production.

Figure 32. ADC accuracy characteristics

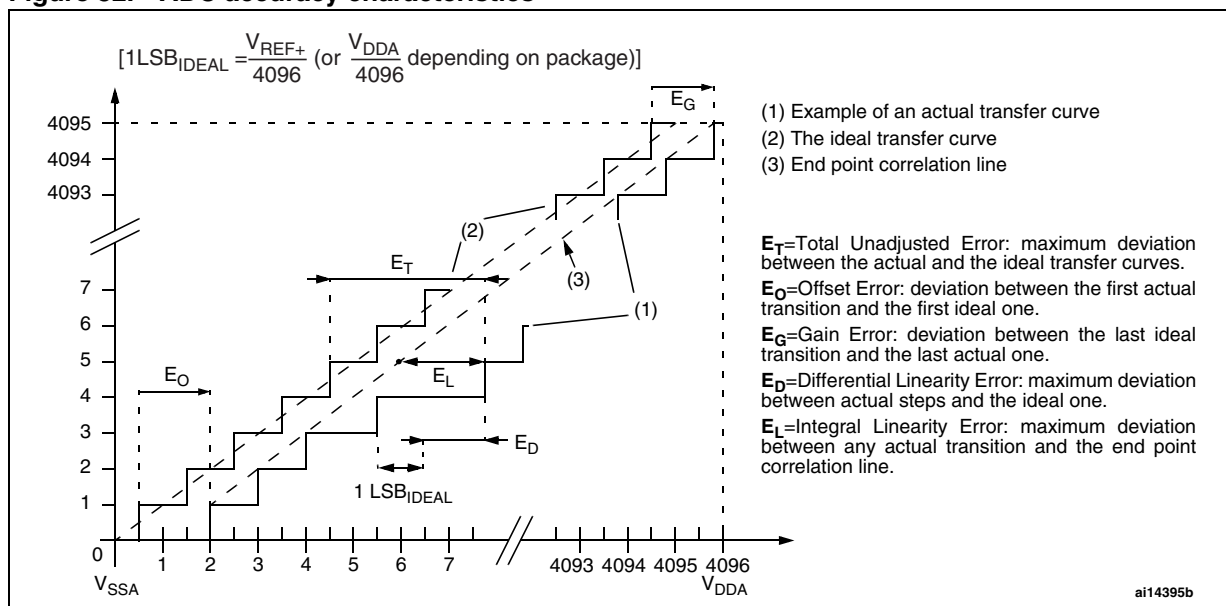
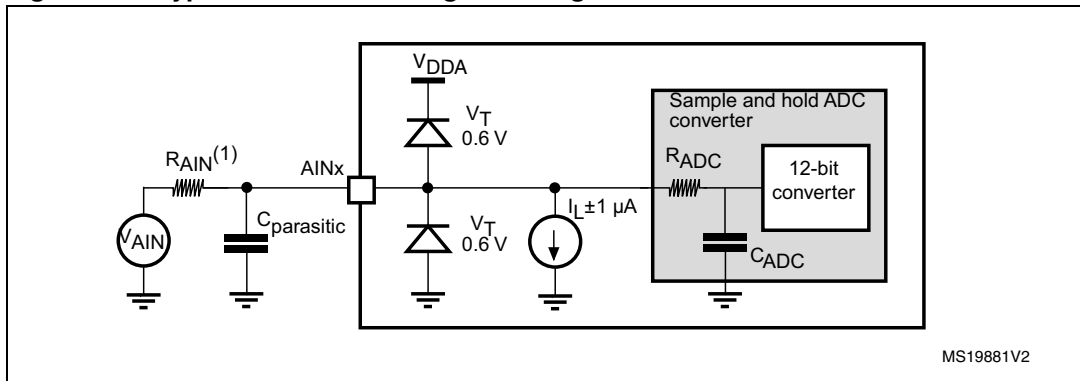


Figure 33. Typical connection diagram using the ADC



MS19881V2

1. Refer to [Table 66](#) for the values of R_{AIN} .
2. $C_{parasitic}$ represents the capacitance of the PCB (dependent on soldering and PCB layout quality) plus the pad capacitance (roughly 7 pF). A high $C_{parasitic}$ value will downgrade conversion accuracy. To remedy this, f_{ADC} should be reduced.

General PCB design guidelines

Power supply decoupling should be performed as shown in [Figure 11](#). The 10 nF capacitor should be ceramic (good quality) and it should be placed as close as possible to the chip.

6.3.19 DAC electrical specifications

Table 70. DAC characteristics

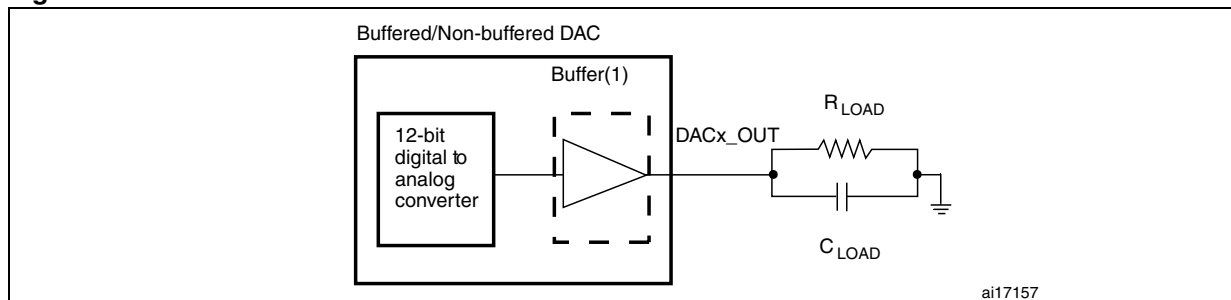
Symbol	Parameter	Min	Typ	Max	Unit	Comments
V_{DDA}	Analog supply voltage for DAC ON	2.4	-	3.6	V	
$R_{LOAD}^{(1)}$	Resistive load with buffer ON	5	-	-	k Ω	
$R_O^{(1)}$	Impedance output with buffer OFF	-	-	15	k Ω	When the buffer is OFF, the Minimum resistive load between DAC_OUT and V_{SS} to have a 1% accuracy is 1.5 M Ω
$C_{LOAD}^{(1)}$	Capacitive load	-	-	50	pF	Maximum capacitive load at DAC_OUT pin (when the buffer is ON).
DAC_OUT min ⁽¹⁾	Lower DAC_OUT voltage with buffer ON	0.2	-	-	V	It gives the maximum output excursion of the DAC. It corresponds to 12-bit input code (0x0E0) to (0xF1C) at $V_{DDA} = 3.6$ V and (0x155) and (0xEAB) at $V_{DDA} = 2.4$ V
DAC_OUT max ⁽¹⁾	Higher DAC_OUT voltage with buffer ON	-	-	$V_{DDA} - 0.2$	V	
DAC_OUT min ⁽¹⁾	Lower DAC_OUT voltage with buffer OFF	-	0.5	-	mV	It gives the maximum output excursion of the DAC.
DAC_OUT max ⁽¹⁾	Higher DAC_OUT voltage with buffer OFF	-	-	$V_{DDA} - 1LSB$	V	
$I_{DDA}^{(3)}$	DAC DC current consumption in quiescent mode (Standby mode) ⁽²⁾	-	-	380	μ A	With no load, middle code (0x800) on the input
		-	-	480	μ A	With no load, worst code (0xF1C) on the input
DNL ⁽³⁾	Differential non linearity (Difference between two consecutive code-1LSB)	-	-	± 0.5	LSB	Given for a 10-bit input code
		-	-	± 2	LSB	Given for a 12-bit input code
INL ⁽³⁾	Integral non linearity (difference between measured value at Code i and the value at Code i on a line drawn between Code 0 and last Code 1023)	-	-	± 1	LSB	Given for a 10-bit input code
		-	-	± 4	LSB	Given for a 12-bit input code
Offset ⁽³⁾	Offset error (difference between measured value at Code (0x800) and the ideal value = $V_{DDA}/2$)	-	-	± 10	mV	
		-	-	± 3	LSB	Given for a 10-bit input code at $V_{DDA} = 3.6$ V
		-	-	± 12	LSB	Given for a 12-bit input code at $V_{DDA} = 3.6$ V
Gain error ⁽³⁾	Gain error	-	-	± 0.5	%	Given for a 12-bit input code

Table 70. DAC characteristics (continued)

Symbol	Parameter	Min	Typ	Max	Unit	Comments
$t_{SETTLING}^{(3)}$	Settling time (full scale: for a 10-bit input code transition between the lowest and the highest input codes when DAC_OUT reaches final value $\pm 1LSB$)	-	3	4	μs	$C_{LOAD} \leq 50\text{ pF}, R_{LOAD} \geq 5\text{ k}\Omega$
Update rate ⁽³⁾	Max frequency for a correct DAC_OUT change when small variation in the input code (from code i to i+1LSB)	-	-	1	MS/s	$C_{LOAD} \leq 50\text{ pF}, R_{LOAD} \geq 5\text{ k}\Omega$
$t_{WAKEUP}^{(3)}$	Wakeup time from off state (Setting the ENx bit in the DAC Control register)	-	6.5	10	μs	$C_{LOAD} \leq 50\text{ pF}, R_{LOAD} \geq 5\text{ k}\Omega$ input code between lowest and highest possible ones.
PSRR+ ⁽¹⁾	Power supply rejection ratio (to V_{DDA}) (static DC measurement)	-	-67	-40	dB	No $R_{LOAD}, C_{LOAD} = 50\text{ pF}$

1. Guaranteed by design, not tested in production.
2. Quiescent mode refers to the state of the DAC a keeping steady value on the output, so no dynamic consumption is involved.
3. Data based on characterization results, not tested in production.

Figure 34. 12-bit buffered /non-buffered DAC



1. The DAC integrates an output buffer that can be used to reduce the output impedance and to drive external loads directly without the use of an external operational amplifier. The buffer can be bypassed by configuring the BOFFx bit in the DAC_CR register.

6.3.20 Comparator characteristics

Table 71. Comparator characteristics

Symbol	Parameter	Conditions	Min ⁽¹⁾	Typ	Max ⁽¹⁾	Unit
V _{DDA}	Analog supply voltage		2	-	3.6	V
V _{IN}	Comparator input voltage range		0	-	V _{DDA}	
V _{BG}	Scaler input voltage		-	1.2	-	
V _{SC}	Scaler offset voltage		-	±5	±10	mV
t _{s_SC}	Scaler startup time from power down		-	-	0.1	ms
t _{START}	Comparator startup time	Startup time to reach propagation delay specification	-	-	60	µs
t _D	Propagation delay for 200 mV step with 100 mV overdrive	Ultra-low power mode	-	2	4.5	µs
		Low power mode	-	0.7	1.5	
		Medium power mode	-	0.3	0.6	
		High speed mode	V _{DDA} ≥ 2.7 V	-	50	100
	V _{DDA} < 2.7 V		-	100	240	
	Propagation delay for full range step with 100 mV overdrive	Ultra-low power mode	-	2	7	µs
		Low power mode	-	0.7	2.1	
		Medium power mode	-	0.3	1.2	
High speed mode		V _{DDA} ≥ 2.7 V	-	90	180	ns
	V _{DDA} < 2.7 V	-	110	300		
V _{offset}	Comparator offset error		-	±4	±10	mV
dV _{offset} /dT	Offset error temperature coefficient		-	18	-	µV/°C
I _{DD(COMP)}	COMP current consumption	Ultra-low power mode	-	1.2	1.5	µA
		Low power mode	-	3	5	
		Medium power mode	-	10	15	
		High speed mode	-	75	100	

Table 71. Comparator characteristics (continued)

Symbol	Parameter	Conditions	Min ⁽¹⁾	Typ	Max ⁽¹⁾	Unit	
V _{hys}	Comparator hysteresis	No hysteresis (COMPxHYST[1:0]=00)	-	0	-	mV	
		Low hysteresis (COMPxHYST[1:0]=01)	High speed mode	3	8		13
			All other power modes	5			10
		Medium hysteresis (COMPxHYST[1:0]=10)	High speed mode	7	15		26
			All other power modes	9			19
		High hysteresis (COMPxHYST[1:0]=11)	High speed mode	18	31		49
			All other power modes	19			40

1. Data based on characterization results, not tested in production.

6.3.21 Operational amplifier characteristics

Table 72. Operational amplifier characteristics⁽¹⁾

Symbol	Parameter		Condition	Min	Typ	Max	Unit
V_{DDA}	Analog supply voltage			2.4	-	3.6	V
CMIR	Common mode input range			0	-	V_{DDA}	V
$V_{I\text{OFFSET}}$	Input offset voltage	Maximum calibration range	25°C, No Load on output.	-	-	4	mV
			All voltage/Temp.	-	-	6	
		After offset calibration	25°C, No Load on output.	-	-	1.6	
			All voltage/Temp.	-	-	3	
$\Delta V_{I\text{OFFSET}}$	Input offset voltage drift			-	5	-	$\mu\text{V}/^\circ\text{C}$
I_{LOAD}	Drive current			-	-	500	μA
IDDOPAMP	Consumption		No load, quiescent mode	-	690	1450	μA
CMRR	Common mode rejection ratio			-	90	-	dB
PSRR	Power supply rejection ratio		DC	73	117	-	dB
GBW	Bandwidth			-	8.2	-	MHz
SR	Slew rate			-	4.7	-	$\text{V}/\mu\text{s}$
R_{LOAD}	Resistive load			4	-	-	$\text{k}\Omega$
C_{LOAD}	Capacitive load			-	-	50	pF
$V_{\text{OH}\text{SAT}}$	High saturation voltage		$R_{\text{load}} = \text{min}$, Input at V_{DDA} .	-	-	100	mV
			$R_{\text{load}} = 20\text{K}$, Input at V_{DDA} .	-	-	20	
$V_{\text{OL}\text{SAT}}$	Low saturation voltage		$R_{\text{load}} = \text{min}$, input at 0V	-	-	100	
			$R_{\text{load}} = 20\text{K}$, input at 0V.	-	-	20	
ϕm	Phase margin			-	62	-	$^\circ$
t_{OFFTRIM}	Offset trim time: during calibration, minimum time needed between two steps to have 1 mV accuracy			-	-	2	ms
t_{WAKEUP}	Wake up time from OFF state.		$C_{\text{LOAD}} \leq 50 \text{ pf}$, $R_{\text{LOAD}} \geq 4 \text{ k}\Omega$, Follower configuration	-	2.8	5	μs

Table 72. Operational amplifier characteristics⁽¹⁾

Symbol	Parameter	Condition	Min	Typ	Max	Unit
PGA gain	Non inverting gain value		-	2	-	
			-	4	-	
			-	8	-	
			-	16	-	
R _{network}	R2/R1 internal resistance values in PGA mode ⁽²⁾	Gain=2	-	5.4/5.4	-	kΩ
		Gain=4	-	16.2/5.4	-	
		Gain=8	-	37.8/5.4	-	
		Gain=16	-	40.5/2.7	-	
PGA gain error	PGA gain error		-1%	-	1%	
I _{bias}	OPAMP input bias current		-	-	±0.2 ⁽³⁾	μA

1. Data guaranteed by design.
2. R2 is the internal resistance between OPAMP output and OPAMP inverting input.
R1 is the internal resistance between OPAMP inverting input and ground.
The PGA gain = 1+R2/R1
3. Mostly TTA I/O leakage, when used in analog mode.

6.3.22 Temperature sensor characteristics

Table 73. TS characteristics

Symbol	Parameter	Min	Typ	Max	Unit
$T_L^{(1)}$	V_{SENSE} linearity with temperature	-	± 1	± 2	$^{\circ}\text{C}$
Avg_Slope ⁽¹⁾	Average slope	4.0	4.3	4.6	mV/ $^{\circ}\text{C}$
V_{25}	Voltage at 25 $^{\circ}\text{C}$	1.34	1.43	1.52	V
$t_{START}^{(1)}$	Startup time	4	-	10	μs
$T_{S_temp}^{(1)(2)}$	ADC sampling time when reading the temperature	2.2	-	-	μs

1. Guaranteed by design, not tested in production.
2. Shortest sampling time can be determined in the application by multiple iterations.

Table 74. Temperature sensor calibration values

Calibration value name	Description	Memory address
TS_CAL1	TS ADC raw data acquired at temperature of 30 $^{\circ}\text{C}$, $V_{DDA} = 3.3\text{ V}$	0x1FFF F7B8 - 0x1FFF F7B9
TS_CAL2	TS ADC raw data acquired at temperature of 110 $^{\circ}\text{C}$ $V_{DDA} = 3.3\text{ V}$	0x1FFF F7C2 - 0x1FFF F7C3

6.3.23 V_{BAT} monitoring characteristics

Table 75. V_{BAT} monitoring characteristics

Symbol	Parameter	Min	Typ	Max	Unit
R	Resistor bridge for V_{BAT}	-	50	-	$\text{K}\Omega$
Q	Ratio on V_{BAT} measurement	-	2	-	
$E_r^{(1)}$	Error on Q	-1	-	+1	%
$T_{S_vbat}^{(1)(2)}$	ADC sampling time when reading the V_{BAT} 1mV accuracy	2.2	-	-	μs

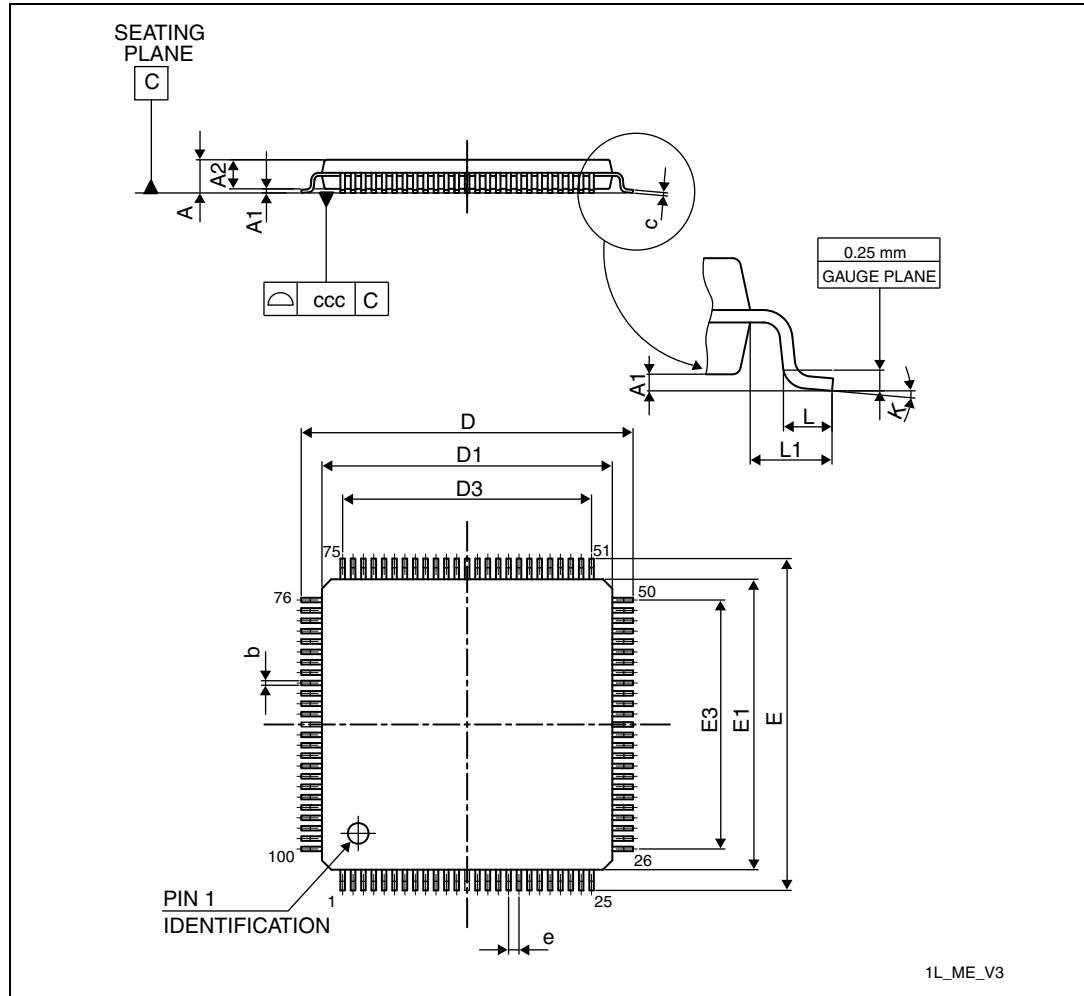
1. Guaranteed by design, not tested in production.
2. Shortest sampling time can be determined in the application by multiple iterations.

7 Package characteristics

7.1 Package mechanical data

In order to meet environmental requirements, ST offers these devices in different grades of ECOPACK[®] packages, depending on their level of environmental compliance. ECOPACK[®] specifications, grade definitions and product status are available at: www.st.com. ECOPACK[®] is an ST trademark.

Figure 35. LQFP100 – 14 x 14 mm, 100-pin low-profile quad flat package outline



1. Drawing is not to scale.

Table 76. LQFP100 – 14 x 14 mm, low-profile quad flat package mechanical data

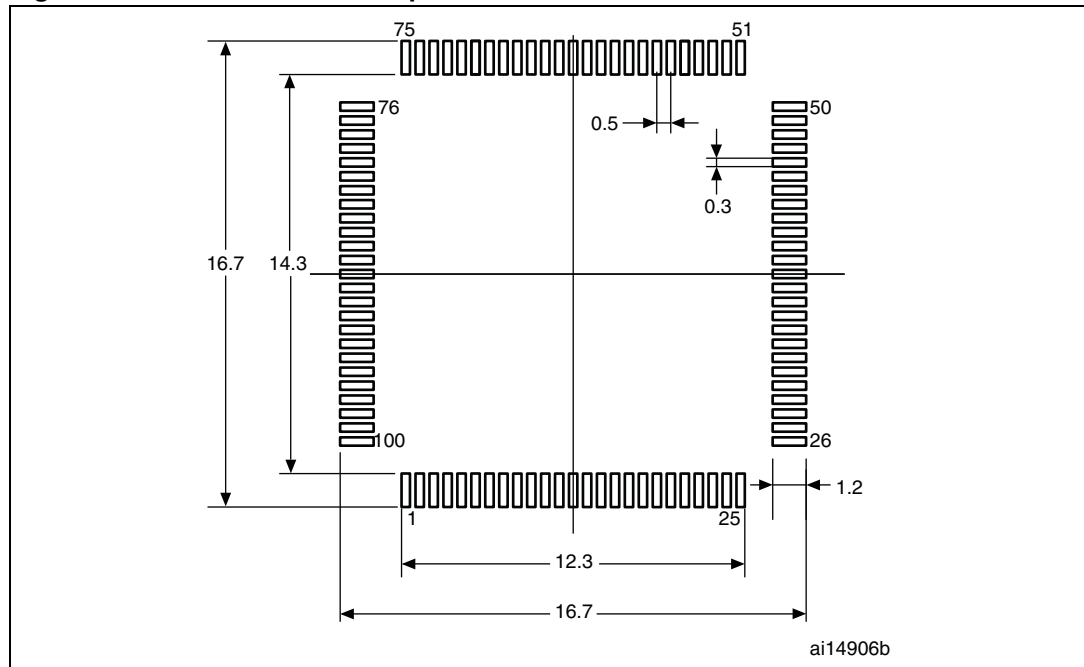
Symbol	millimeters			inches ⁽¹⁾		
	Min	Typ	Max	Min	Typ	Max
A			1.60			0.063
A1	0.05		0.15	0.002		0.0059
A2	1.35	1.40	1.45	0.0531	0.0551	0.0571
b	0.17	0.22	0.27	0.0067	0.0087	0.0106
c	0.09		0.2	0.0035		0.0079
D	15.80	16.00	16.2	0.622	0.6299	0.6378
D1	13.80	14.00	14.2	0.5433	0.5512	0.5591
D3		12.00			0.4724	
E	15.80	16.00	16.2	0.622	0.6299	0.6378

Table 76. LQPF100 – 14 x 14 mm, low-profile quad flat package mechanical data (continued)

Symbol	millimeters			inches ⁽¹⁾		
	Min	Typ	Max	Min	Typ	Max
E1	13.80	14.00	14.2	0.5433	0.5512	0.5591
E3		12.00			0.4724	
e		0.50			0.0197	
L	0.45	0.60	0.75	0.0177	0.0236	0.0295
L1		1.00			0.0394	
K	0°	3.5°	7°	0°	3.5°	7°
ccc			0.08			0.0031

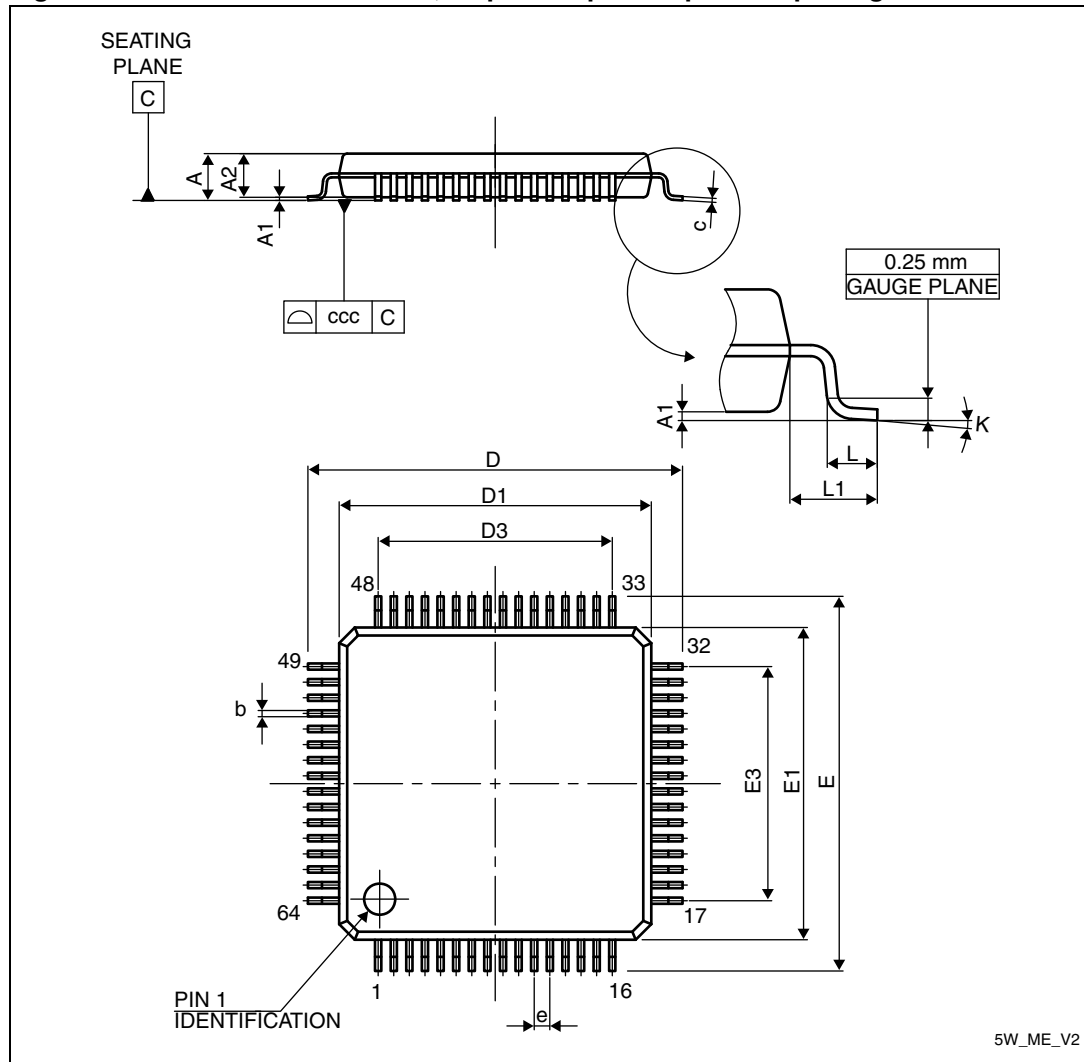
1. Values in inches are converted from mm and rounded to 4 decimal digits.

Figure 36. Recommended footprint



1. Dimensions are in millimeters.

Figure 37. LQFP64 – 10 x 10 mm, 64 pin low-profile quad flat package outline



1. Drawing is not to scale.

Table 77. LQFP64 – 10 x 10 mm low-profile quad flat package mechanical data

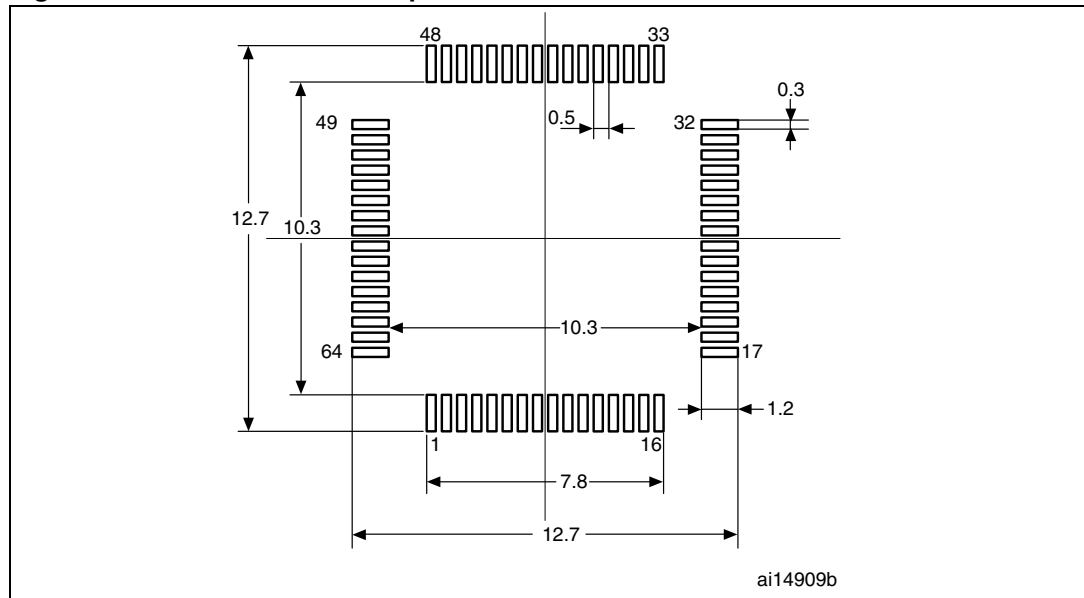
Symbol	millimeters			inches ⁽¹⁾		
	Min	Typ	Max	Min	Typ	Max
A			1.60			0.0630
A1	0.05		0.15	0.0020		0.0059
A2	1.350	1.40	1.45	0.0531	0.0551	0.0571
b	0.17	0.22	0.27	0.0067	0.0087	0.0106
c	0.09		0.20	0.0035		0.0079
D	11.80	12.00	12.20	0.4646	0.4724	0.4803
D1	9.80	10.00	10.20	0.3858	0.3937	0.4016
D3		7.50			0.2953	

Table 77. LQFP64 – 10 x 10 mm low-profile quad flat package mechanical data (continued)

Symbol	millimeters			inches ⁽¹⁾		
	Min	Typ	Max	Min	Typ	Max
E	11.80	12.00	12.20	0.4646	0.4724	0.4803
E1	9.80	10.00	10.20	0.3858	0.3937	0.4016
E3		7.50			0.2953	
e		0.50			0.0197	
L	0.45	0.60	0.75	0.0177	0.0236	0.0295
L1		1.00			0.0394	
K	0°	3.5°	7°	0°	3.5°	7°
ccc			0.08			0.0031

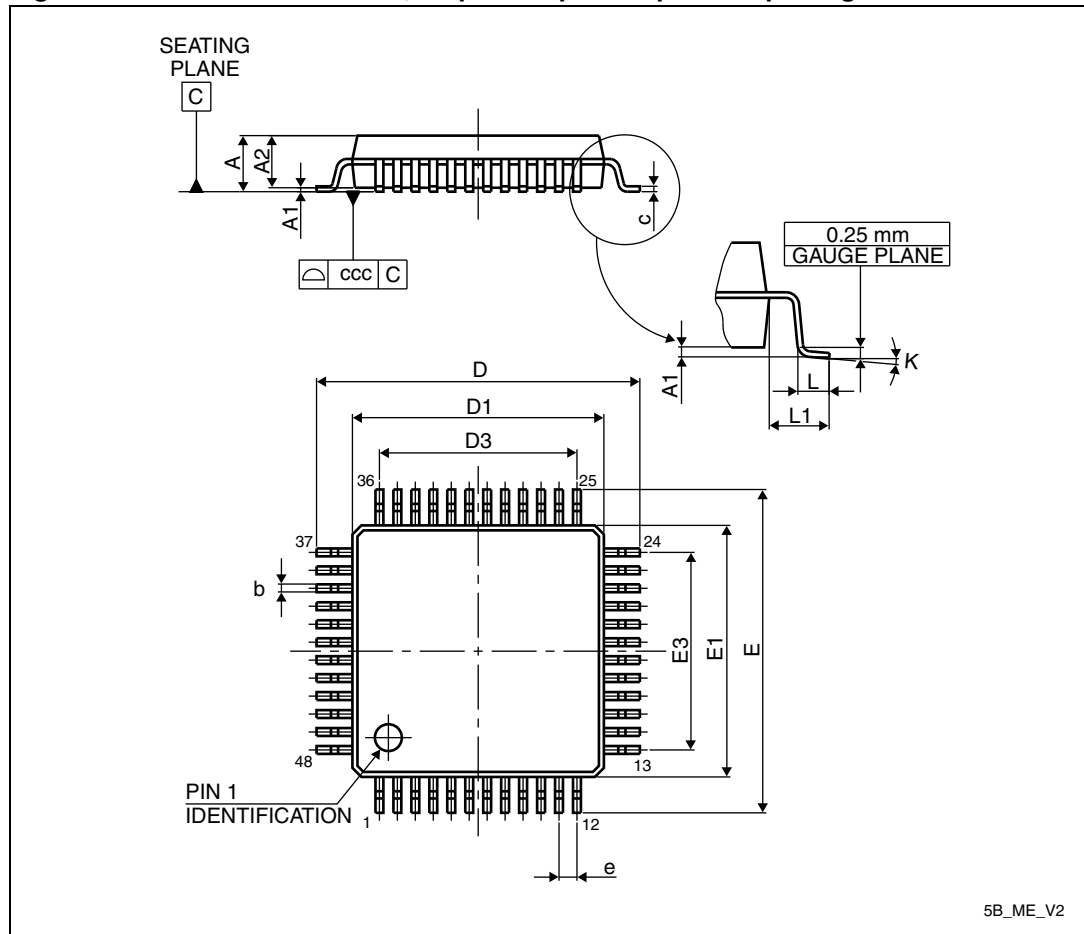
1. Values in inches are converted from mm and rounded to 4 decimal digits.

Figure 38. Recommended footprint



1. Dimensions are in millimeters.

Figure 39. LQFP48 – 7 x 7 mm, 48-pin low-profile quad flat package outline



1. Drawing is not to scale.

Table 78. LQFP48 – 7 x 7 mm, 48-pin low-profile quad flat package mechanical data

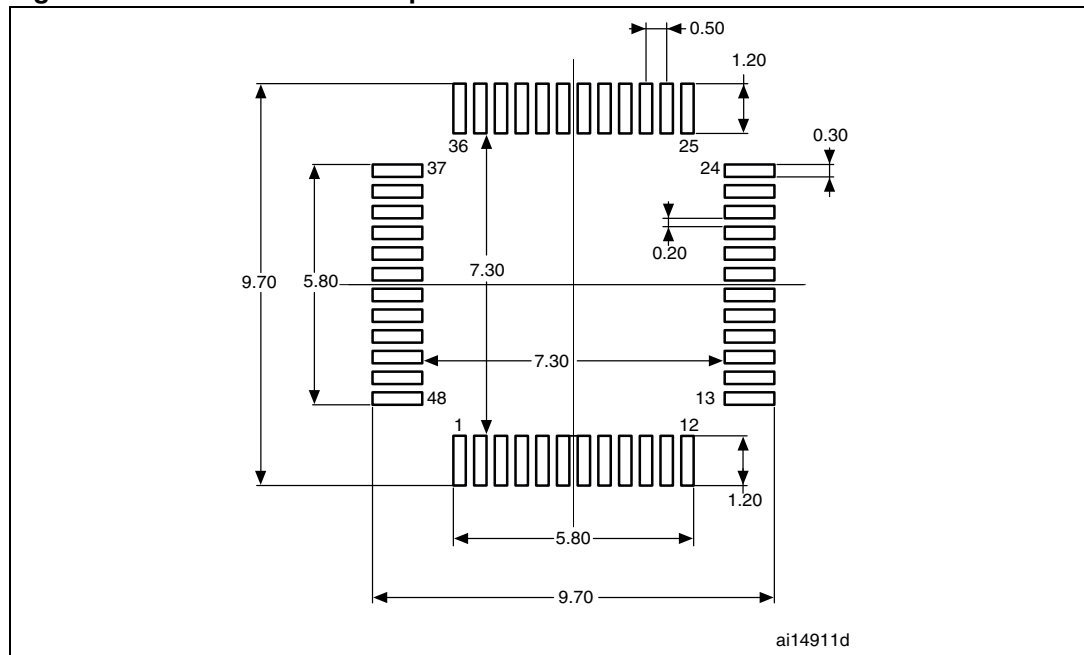
Symbol	millimeters			inches ⁽¹⁾		
	Min	Typ	Max	Min	Typ	Max
A			1.60			0.0630
A1	0.05		0.15	0.0020		0.0059
A2	1.35	1.40	1.45	0.0531	0.0551	0.0571
b	0.17	0.22	0.27	0.0067	0.0087	0.0106
c	0.09		0.20	0.0035		0.0079
D	8.80	9.00	9.20	0.3465	0.3543	0.3622
D1	6.80	7.00	7.20	0.2677	0.2756	0.2835
D3		5.50			0.2165	
E	8.80	9.00	9.20	0.3465	0.3543	0.3622
E1	6.80	7.00	7.20	0.2677	0.2756	0.2835
E3		5.50			0.2165	
e		0.50			0.0197	

Table 78. LQFP48 – 7 x 7 mm, 48-pin low-profile quad flat package mechanical data (continued)

Symbol	millimeters			inches ⁽¹⁾		
	Min	Typ	Max	Min	Typ	Max
L	0.45	0.60	0.75	0.0177	0.0236	0.0295
L1		1.00			0.0394	
K	0°	3.5°	7°	0°	3.5°	7°
ccc			0.08			0.0031

1. Values in inches are converted from mm and rounded to 4 decimal digits.

Figure 40. Recommended footprint



1. Dimensions are in millimeters.

7.2 Thermal characteristics

The maximum chip junction temperature ($T_J\text{max}$) must never exceed the values given in [Table 22: General operating conditions on page 58](#).

The maximum chip-junction temperature, $T_J\text{max}$, in degrees Celsius, may be calculated using the following equation:

$$T_J\text{max} = T_A\text{max} + (P_D\text{max} \times \Theta_{JA})$$

Where:

- $T_A\text{max}$ is the maximum ambient temperature in °C,
- Θ_{JA} is the package junction-to-ambient thermal resistance, in °C/W,
- $P_D\text{max}$ is the sum of $P_{INT\text{max}}$ and $P_{IO\text{max}}$ ($P_D\text{max} = P_{INT\text{max}} + P_{IO\text{max}}$),
- $P_{INT\text{max}}$ is the product of I_{DD} and V_{DD} , expressed in Watts. This is the maximum chip internal power.

$P_{IO\text{max}}$ represents the maximum power dissipation on output pins where:

$$P_{IO\text{max}} = \Sigma (V_{OL} \times I_{OL}) + \Sigma ((V_{DD} - V_{OH}) \times I_{OH}),$$

taking into account the actual V_{OL} / I_{OL} and V_{OH} / I_{OH} of the I/Os at low and high level in the application.

Table 79. Package thermal characteristics

Symbol	Parameter	Value	Unit
Θ_{JA}	Thermal resistance junction-ambient LQFP64 - 10 × 10 mm / 0.5 mm pitch	45	°C/W
	Thermal resistance junction-ambient LQFP48 - 7 × 7 mm	55	
	Thermal resistance junction-ambient LQFP100 - 14 × 14 mm / 0.5 mm pitch	41	

7.2.1 Reference document

JESD51-2 Integrated Circuits Thermal Test Method Environment Conditions - Natural Convection (Still Air). Available from www.jedec.org

7.2.2 Selecting the product temperature range

When ordering the microcontroller, the temperature range is specified in the ordering information scheme shown in [Section 8: Part numbering](#).

Each temperature range suffix corresponds to a specific guaranteed ambient temperature at maximum dissipation and, to a specific maximum junction temperature.

As applications do not commonly use the STM32F30xB/C at maximum dissipation, it is useful to calculate the exact power consumption and junction temperature to determine which temperature range will be best suited to the application.

The following examples show how to calculate the temperature range needed for a given application.

Example 1: High-performance application

Assuming the following application conditions:

Maximum ambient temperature $T_{Amax} = 82\text{ °C}$ (measured according to JESD51-2),
 $I_{DDmax} = 50\text{ mA}$, $V_{DD} = 3.5\text{ V}$, maximum 3 I/Os used at the same time in output at low level with $I_{OL} = 8\text{ mA}$, $V_{OL} = 0.4\text{ V}$ and maximum 2 I/Os used at the same time in output at low level with $I_{OL} = 20\text{ mA}$, $V_{OL} = 1.3\text{ V}$

$$P_{INTmax} = 50\text{ mA} \times 3.5\text{ V} = 175\text{ mW}$$

$$P_{IOmax} = 3 \times 8\text{ mA} \times 0.4\text{ V} + 2 \times 20\text{ mA} \times 1.3\text{ V} = 61.6\text{ mW}$$

This gives: $P_{INTmax} = 175\text{ mW}$ and $P_{IOmax} = 61.6\text{ mW}$:

$$P_{Dmax} = 175 + 61.6 = 236.6\text{ mW}$$

Thus: $P_{Dmax} = 236.6\text{ mW}$

Using the values obtained in [Table 79](#) T_{Jmax} is calculated as follows:

– For LQFP64, 45 °C/W

$$T_{Jmax} = 82\text{ °C} + (45\text{ °C/W} \times 236.6\text{ mW}) = 82\text{ °C} + 10.65\text{ °C} = 92.65\text{ °C}$$

This is within the range of the suffix 6 version parts ($-40 < T_J < 105\text{ °C}$).

In this case, parts must be ordered at least with the temperature range suffix 6 (see [Section 8: Part numbering](#)).

Example 2: High-temperature application

Using the same rules, it is possible to address applications that run at high ambient temperatures with a low dissipation, as long as junction temperature T_J remains within the specified range.

Assuming the following application conditions:

Maximum ambient temperature $T_{Amax} = 115\text{ °C}$ (measured according to JESD51-2),
 $I_{DDmax} = 20\text{ mA}$, $V_{DD} = 3.5\text{ V}$, maximum 9 I/Os used at the same time in output at low level with $I_{OL} = 8\text{ mA}$, $V_{OL} = 0.4\text{ V}$

$$P_{INTmax} = 20\text{ mA} \times 3.5\text{ V} = 70\text{ mW}$$

$$P_{IOmax} = 9 \times 8\text{ mA} \times 0.4\text{ V} = 28.8\text{ mW}$$

This gives: $P_{INTmax} = 70\text{ mW}$ and $P_{IOmax} = 28.8\text{ mW}$:

$$P_{Dmax} = 70 + 28.8 = 98.8\text{ mW}$$

Thus: $P_{Dmax} = 98.8\text{ mW}$

Using the values obtained in [Table 79](#) T_{Jmax} is calculated as follows:

– For LQFP100, 41°C/W

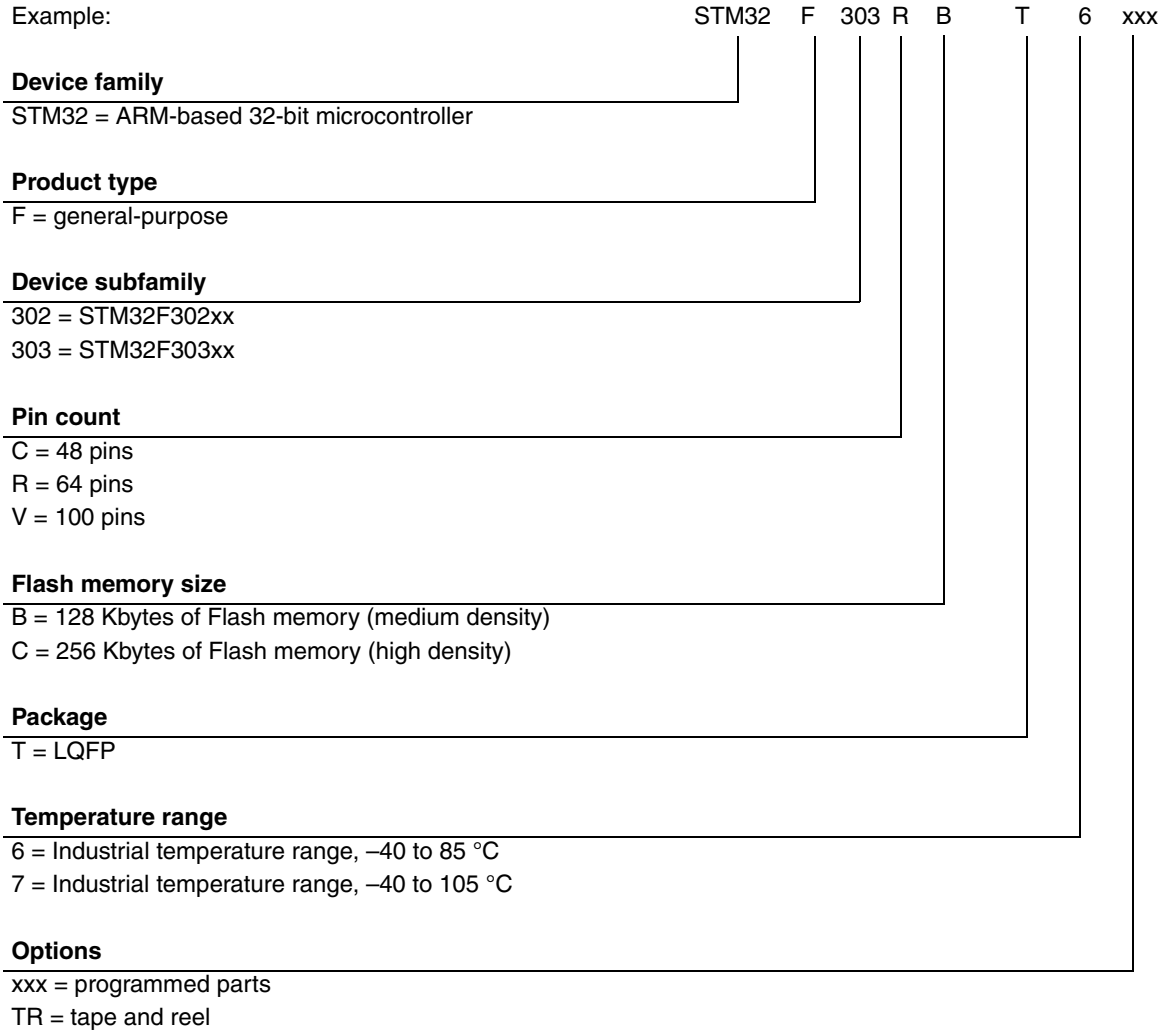
$$T_{Jmax} = 115\text{ °C} + (41\text{ °C/W} \times 98.8\text{ mW}) = 115\text{ °C} + 4.05\text{ °C} = 119.05\text{ °C}$$

This is within the range of the suffix 7 version parts ($-40 < T_J < 125\text{ °C}$).

In this case, parts must be ordered at least with the temperature range suffix 7 (see [Section 8: Part numbering](#)).

8 Part numbering

Table 80. Ordering information scheme



9 Revision history

Table 81. Document revision history

Date	Revision	Changes
22-Jun-2012	1	Initial release
07-Sep-2012	2	<p>Modified Features on cover page.</p> <p>Modified Table 2: STM32F301xx family device features and peripheral counts</p> <p>Added clock tree to Section 3.8: Clocks and startup</p> <p>Added Table 5: STM32F30xB/C I2C implementation</p> <p>Added Table 6: USART features</p> <p>Added Table 7: STM32F30xB/C SPI/I2S implementation</p> <p>Modified Table 8: Capacitive sensing GPIOs available on STM32F302xx/STM32F303xx devices</p> <p>Modified Figure 5, Figure 6 and Figure 7: STM32F302xx/STM32F303xx LQFP100 pinout</p> <p>Modified Table 11: STM32F302xx/STM32F303xx pin definitions</p> <p>Modified Figure 11: Power supply scheme</p> <p>Modified Table 19: Voltage characteristics</p> <p>Modified Table 20: Current characteristics</p> <p>Modified Table 23: Operating conditions at power-up / power-down</p> <p>Added footnote to Table 29: Typical and maximum current consumption from the VDDA supply</p> <p>Added footnote to Table 33 and Table 34: Typical current consumption in Sleep mode, code running from Flash or RAM</p> <p>Removed table “Switching output I/O current consumption” and table “Peripheral current consumption”</p> <p>Added note under Figure 17: Typical application with a 32.768 kHz crystal</p> <p>Updated Table 42: HSI oscillator characteristics</p> <p>Updated Wakeup time from low-power mode and Table 37: Low-power mode wakeup timings</p> <p>Updated Table 45: Flash memory characteristics</p> <p>Updated Table 50: Electrical sensitivities</p> <p>Updated Table 51: I/O current injection susceptibility</p> <p>Updated Table 52: I/O static characteristics</p> <p>Updated Table 53: Output voltage characteristics</p> <p>Updated Table 55: NRST pin characteristics</p> <p>Updated Table 61: SPI characteristics</p> <p>Updated Table 62: I2S characteristics</p> <p>Corrected LQFP100 in Section 7.2.3: Selecting the product temperature range</p>
21-Sep-2012	3	Updated Table 61: SPI characteristics

Table 81. Document revision history

Date	Revision	Changes
05-Dec-2012	4	<p>Updated first page</p> <p>Removed references to VDDSDx and VSSSD</p> <p>Added reference to PM0214 in Section 1</p> <p>Moved Temp. sensor calibration values to Table 74 and VREF calibration values to Table 27</p> <p>Updated Table 2: STM32F30xB/C family device features and peripheral counts on page 10</p> <p>Updated Section 3.4: Embedded SRAM on page 14</p> <p>Updated Section 3.2: Memory protection unit (MPU) on page 13</p> <p>Updated Section 3.23: Universal serial bus (USB) on page 28</p> <p>Modified Section 3.25: Touch sensing controller (TSC) on page 29</p> <p>Updated heading of Table 6: USART features on page 27</p> <p>Updated Table 11: STM32F302xx/STM32F303xx pin definitions on page 36</p> <p>Added notes to PC13, PC14 and PC15 in Table 11: STM32F302xx/STM32F303xx pin definitions on page 36</p> <p>Updated Figure 11: Power supply scheme on page 54</p> <p>Modified Table 19: Voltage characteristics on page 56</p> <p>Modified Table 20: Current characteristics on page 57</p> <p>Modified Table 22: General operating conditions on page 58</p> <p>Modified Figure 13: Typical VBAT current consumption (LSE and RTC ON/LSEDRV[1:0] = '00') on page 66</p> <p>Updated Section 6.3.14: I/O port characteristics on page 87</p> <p>Updated Table 28: Typical and maximum current consumption from VDD supply at VDD = 3.6V on page 62 and Table 29: Typical and maximum current consumption from the VDDA supply on page 63</p> <p>Updated Table 30: Typical and maximum VDD consumption in Stop and Standby modes on page 65 and Table 31: Typical and maximum VDDA consumption in Stop and Standby modes on page 65</p> <p>Updated Table 32: Typical and maximum current consumption from VBAT supply on page 66</p> <p>Added Figure 13: Typical VBAT current consumption (LSE and RTC ON/LSEDRV[1:0] = '00')</p> <p>Updated Table 33: Typical current consumption in Run mode, code with data processing running from Flash on page 67 and Table 34: Typical current consumption in Sleep mode, code running from Flash or RAM on page 68</p> <p>Added Table 36: Peripheral current consumption on page 71</p> <p>Added Table 35: Switching output I/O current consumption on page 70</p> <p>Updated Section 6.3.6: Wakeup time from low-power mode on page 73</p> <p>Modified ESD absolute maximum ratings on page 84</p> <p>Modified Table 53: Output voltage characteristics on page 90</p> <p>Updated EMI characteristics on page 84</p> <p>Updated Table 54: I/O AC characteristics on page 91</p> <p>Updated Table 51: I/O current injection susceptibility on page 86</p> <p>Updated Table 56: TIMx characteristics on page 93</p> <p>Updated Section 7.2: Thermal characteristics on page 126</p> <p>Added Table 67: Maximum ADC RAIN on page 106</p> <p>Added Table 68: ADC accuracy - limited test conditions on page 107</p> <p>Updated Table 69: ADC accuracy on page 109</p> <p>Updated Table 70: DAC characteristics on page 112</p> <p>Updated Table 72: Operational amplifier characteristics on page 116</p> <p>Updated figures and tables in Section 7: Package characteristics</p>

Table 81. Document revision history

Date	Revision	Changes
08-Jan-2013	5	Updated V_{hys} and I_{Ikg} in Table 52: I/O static characteristics . Updated $V_{\text{IL(NRST)}}$, $V_{\text{IH(NRST)}}$, and $V_{\text{NF(NRST)}}$ in Table 55: NRST pin characteristics . Updated Table 68: ADC accuracy - limited test conditions and Table 69: ADC accuracy .

Please Read Carefully:

Information in this document is provided solely in connection with ST products. STMicroelectronics NV and its subsidiaries ("ST") reserve the right to make changes, corrections, modifications or improvements, to this document, and the products and services described herein at any time, without notice.

All ST products are sold pursuant to ST's terms and conditions of sale.

Purchasers are solely responsible for the choice, selection and use of the ST products and services described herein, and ST assumes no liability whatsoever relating to the choice, selection or use of the ST products and services described herein.

No license, express or implied, by estoppel or otherwise, to any intellectual property rights is granted under this document. If any part of this document refers to any third party products or services it shall not be deemed a license grant by ST for the use of such third party products or services, or any intellectual property contained therein or considered as a warranty covering the use in any manner whatsoever of such third party products or services or any intellectual property contained therein.

UNLESS OTHERWISE SET FORTH IN ST'S TERMS AND CONDITIONS OF SALE ST DISCLAIMS ANY EXPRESS OR IMPLIED WARRANTY WITH RESPECT TO THE USE AND/OR SALE OF ST PRODUCTS INCLUDING WITHOUT LIMITATION IMPLIED WARRANTIES OF MERCHANTABILITY, FITNESS FOR A PARTICULAR PURPOSE (AND THEIR EQUIVALENTS UNDER THE LAWS OF ANY JURISDICTION), OR INFRINGEMENT OF ANY PATENT, COPYRIGHT OR OTHER INTELLECTUAL PROPERTY RIGHT.

UNLESS EXPRESSLY APPROVED IN WRITING BY TWO AUTHORIZED ST REPRESENTATIVES, ST PRODUCTS ARE NOT RECOMMENDED, AUTHORIZED OR WARRANTED FOR USE IN MILITARY, AIR CRAFT, SPACE, LIFE SAVING, OR LIFE SUSTAINING APPLICATIONS, NOR IN PRODUCTS OR SYSTEMS WHERE FAILURE OR MALFUNCTION MAY RESULT IN PERSONAL INJURY, DEATH, OR SEVERE PROPERTY OR ENVIRONMENTAL DAMAGE. ST PRODUCTS WHICH ARE NOT SPECIFIED AS "AUTOMOTIVE GRADE" MAY ONLY BE USED IN AUTOMOTIVE APPLICATIONS AT USER'S OWN RISK.

Resale of ST products with provisions different from the statements and/or technical features set forth in this document shall immediately void any warranty granted by ST for the ST product or service described herein and shall not create or extend in any manner whatsoever, any liability of ST.

ST and the ST logo are trademarks or registered trademarks of ST in various countries.

Information in this document supersedes and replaces all information previously supplied.

The ST logo is a registered trademark of STMicroelectronics. All other names are the property of their respective owners.

© 2013 STMicroelectronics - All rights reserved

STMicroelectronics group of companies

Australia - Belgium - Brazil - Canada - China - Czech Republic - Finland - France - Germany - Hong Kong - India - Israel - Italy - Japan - Malaysia - Malta - Morocco - Philippines - Singapore - Spain - Sweden - Switzerland - United Kingdom - United States of America

www.st.com

