

# SIEMENS

## Microcomputer Components

8-Bit CMOS Microcontroller

C505

C505C/C505A

C505CA

#### **Edition 12.97**

**Published by Siemens AG,  
Bereich Halbleiter, Marketing-  
Kommunikation, Balanstraße 73,  
81541 München**

© Siemens AG 1997.  
All Rights Reserved.

#### **Attention please!**

As far as patents or other rights of third parties are concerned, liability is only assumed for components, not for applications, processes and circuits implemented within components or assemblies.

The information describes the type of component and shall not be considered as assured characteristics.

Terms of delivery and rights to change design reserved.

For questions on technology, delivery and prices please contact the Semiconductor Group Offices in Germany or the Siemens Companies and Representatives worldwide (see address list).

Due to technical requirements components may contain dangerous substances. For information on the types in question please contact your nearest Siemens Office, Semiconductor Group.

Siemens AG is an approved CECC manufacturer.

#### **Packing**

Please use the recycling operators known to you. We can also help you – get in touch with your nearest sales office. By agreement we will take packing material back, if it is sorted. You must bear the costs of transport.

For packing material that is returned to us unsorted or which we are not obliged to accept, we shall have to invoice you for any costs incurred.

#### **Components used in life-support devices or systems must be expressly authorized for such purpose!**

Critical components<sup>1</sup> of the Semiconductor Group of Siemens AG, may only be used in life-support devices or systems<sup>2</sup> with the express written approval of the Semiconductor Group of Siemens AG.

- 1 A critical component is a component used in a life-support device or system whose failure can reasonably be expected to cause the failure of that life-support device or system, or to affect its safety or effectiveness of that device or system.
- 2 Life support devices or systems are intended (a) to be implanted in the human body, or (b) to support and/or maintain and sustain human life. If they fail, it is reasonable to assume that the health of the user may be endangered.

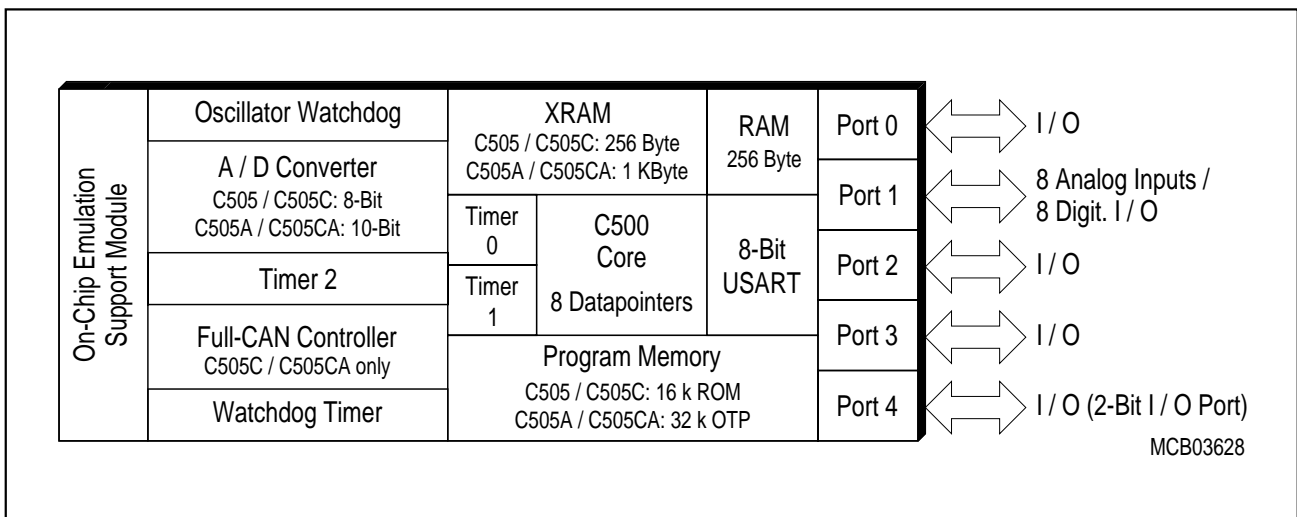
## 8-Bit CMOS Microcontroller

**C505  
C505C  
C505A  
C505CA**

### Advance Information

- Fully compatible to standard 8051 microcontroller
- Superset of the 8051 architecture with 8 datapointers
- Up to 20 MHz operating frequency
  - 375 ns instruction cycle time @16 MHz
  - 300 ns instruction cycle time @20 MHz (50 % duty cycle)
- On-chip program memory (with optional memory protection)
  - C505-2R/C505C-2R : 16k byte on-chip ROM
  - C505A-4E/C505CA-4E: 32k byte on-chip OTP
  - alternatively up to 64k byte external program memory
- 256 byte on-chip RAM
- On-chip XRAM
  - C505/C505C : 256 byte
  - C505A/C505CA : 1K byte
- 32 + 2 digital I/O lines
  - Four 8-bit digital I/O ports
  - One 2-bit digital I/O port (port 4)
  - Port 1 with mixed analog/digital I/O capability

(more features on next page)



**Figure 1**  
**C505 Functional Units**

### Features (cont'd):

- Three 16-bit timers/counters
  - Timer 0 / 1 (C501 compatible)
  - Timer 2 with 4 channels for 16-bit capture/compare operation
- Full duplex serial interface with programmable baudrate generator (USART)
- Full CAN Module, version 2.0 B compliant (C505C and C505CA only)
  - 256 register/data bytes located in external data memory area
  - 1 MBaud CAN baudrate when operating frequency is equal to or above 8 MHz
  - internal CAN clock prescaler when input frequency is over 10 MHz
- On-chip A/D Converter
  - up to 8 analog inputs
  - C505/C505C : 8-bit resolution
  - C505A/C505CA: 10-bit resolution
- Twelve interrupt sources with four priority levels
- On-chip emulation support logic (Enhanced Hooks Technology™<sup>1)</sup>)
- Programmable 15-bit watchdog timer
- Oscillator watchdog
- Fast power on reset
- Power Saving Modes
  - Slow-down mode
  - Idle mode (can be combined with slow-down mode)
  - Software power-down mode with wake up capability through P3.2/ $\overline{\text{INT0}}$  or P4.1/RXDC pin
- P-MQFP-44 package
- Pin configuration is compatible to C501, C504, C511/C513-family
- Temperature ranges:
 

|                   |   |
|-------------------|---|
| SAB-C505 versions | $T_A = 0$ to $70\text{ }^\circ\text{C}$   |
| SAF-C505 versions | $T_A = -40$ to $85\text{ }^\circ\text{C}$   |
| SAH-C505 versions | $T_A = -40$ to $110\text{ }^\circ\text{C}$ (max. operating frequency: TBD)                        |
| SAK-C505 versions | $T_A = -40$ to $125\text{ }^\circ\text{C}$ (max. operating frequency: 12 MHz with 50% duty cycle) |

**Table 1**  
**Differences in Functionality of the C505 MCUs**

| Device     | Internal Program Memory |       | XRAM Size | A/D Converter Resolution | CAN Controller |
|------------|-------------------------|-------|-----------|--------------------------|----------------|
|            | ROM                     | OTP   |           |                          |                |
| C505-2RM   | 16 KB                   | –     | 256 B     | 8 Bit                    | –              |
| C505-LM    | –                       | –     | 256 B     | 8 Bit                    | –              |
| C505C-2RM  | 16 KB                   | –     | 256 B     | 8 Bit                    | ✓              |
| C505C-LM   | –                       | –     | 256 B     | 8 Bit                    | ✓              |
| C505A-4EM  | –                       | 32 KB | 1 KB      | 10 Bit                   | –              |
| C505CA-4EM | –                       | 32 KB | 1 KB      | 10 Bit                   | ✓              |

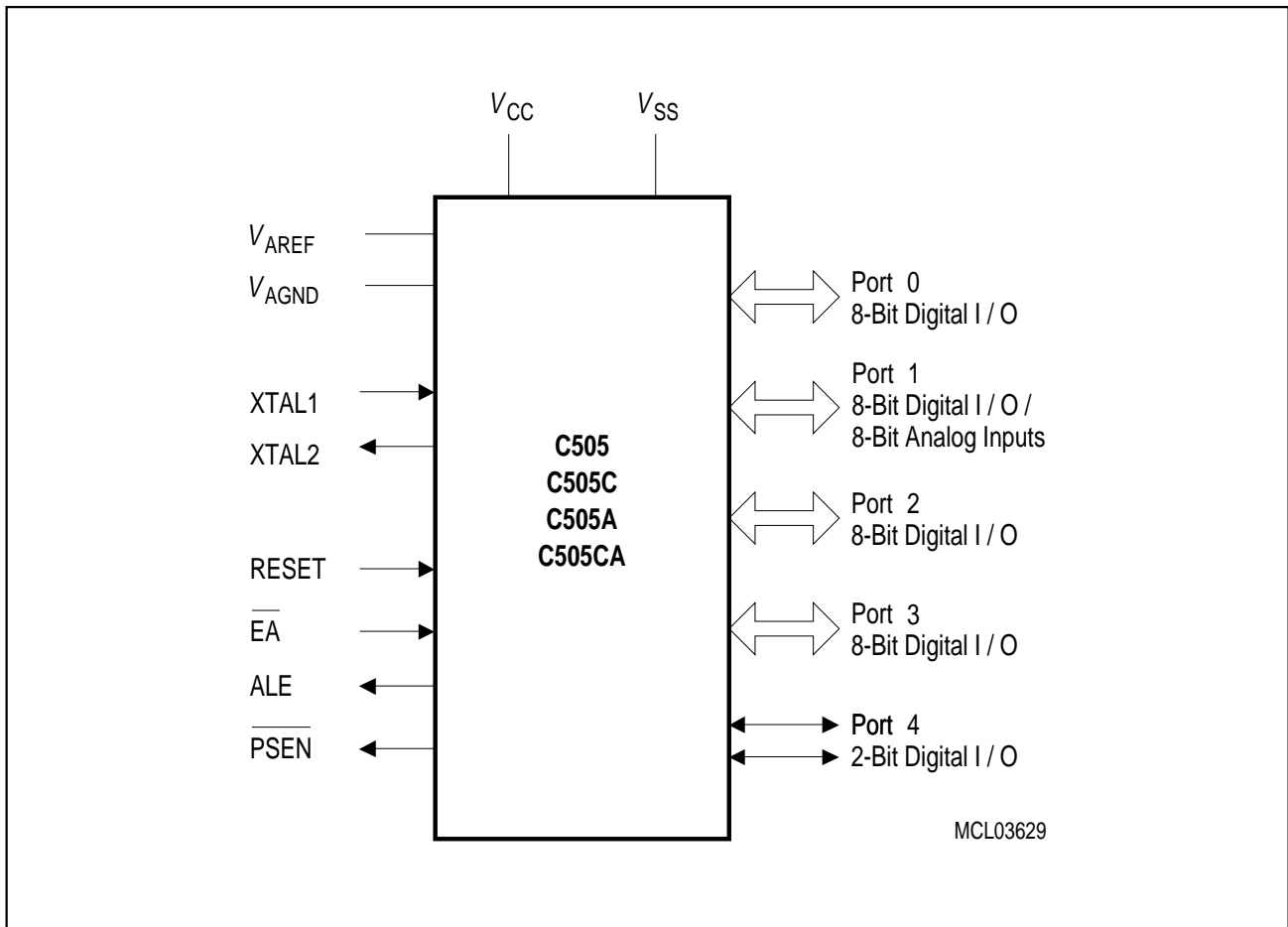
<sup>1)</sup> “Enhanced Hooks Technology” is a trademark and patent of Metalink Corporation licensed to Siemens.

**Table 2**  
**Ordering Information**

| Type                          | Ordering Code                | Package                | Description<br>(8-Bit CMOS microcontroller)  |
|-------------------------------|------------------------------|------------------------|--|
| SAB-C505-2RM<br>SAB-C505-LM   | Q67127-DXXXX<br>Q67127-C2057 | P-MQFP-44<br>P-MQFP-44 | with mask-programmable ROM (16K), 20 MHz<br>for external memory (20 MHz)   |
| SAF-C505-2RM<br>SAF-C505-LM   | Q67127-DXXXX<br>Q67127-C2056 | P-MQFP-44<br>P-MQFP-44 | Extended temperature. – 40 °C to 85 °C :<br>with mask-programmable ROM (16K), 20 MHz<br>for external memory (20 MHz)             |
| SAB-C505C-2RM<br>SAB-C505C-LM | Q67127-DXXXX<br>Q67127-C2029 | P-MQFP-44<br>P-MQFP-44 | with mask-progr. ROM (16K) and CAN, 20 MHz<br>for external memory, with CAN (20 MHz)   |
| SAF-C505C-2RM<br>SAF-C505C-LM | Q67127-DXXXX<br>Q67127-C2030 | P-MQFP-44<br>P-MQFP-44 | Extended temperature. – 40 °C to 85 °C :<br>with mask-progr. ROM (16K) and CAN, 20 MHz<br>for external memory, with CAN (20 MHz) |
| SAB-C505A-4EM                 | Q67127-C2060                 | P-MQFP-44              | with OTP memory (32K), 20 MHz  |
| SAF-C505A-4EM                 | Q67127-C2061                 | P-MQFP-44              | Extended temperature. – 40 °C to 85 °C :<br>with OTP memory (32K), 20 MHz  |
| SAB-C505CA-4EM                | Q67127-C1082                 | P-MQFP-44              | with OTP memory (32K) and CAN, 20 MHz  |
| SAB-C505CA-4EM                | Q67127-C2058                 | P-MQFP-44              | Extended temperature. – 40 °C to 85 °C :<br>with OTP memory (32K) and CAN, 20 MHz  |

**Note:** The ordering number of the ROM types (DXXXX extension) is defined after program release (verification) of the customer.

Versions for the extended temperature range – 40 °C to 110 °C (SAH-C505) and – 40 °C to 125 °C (SAK-C505) are available on request.

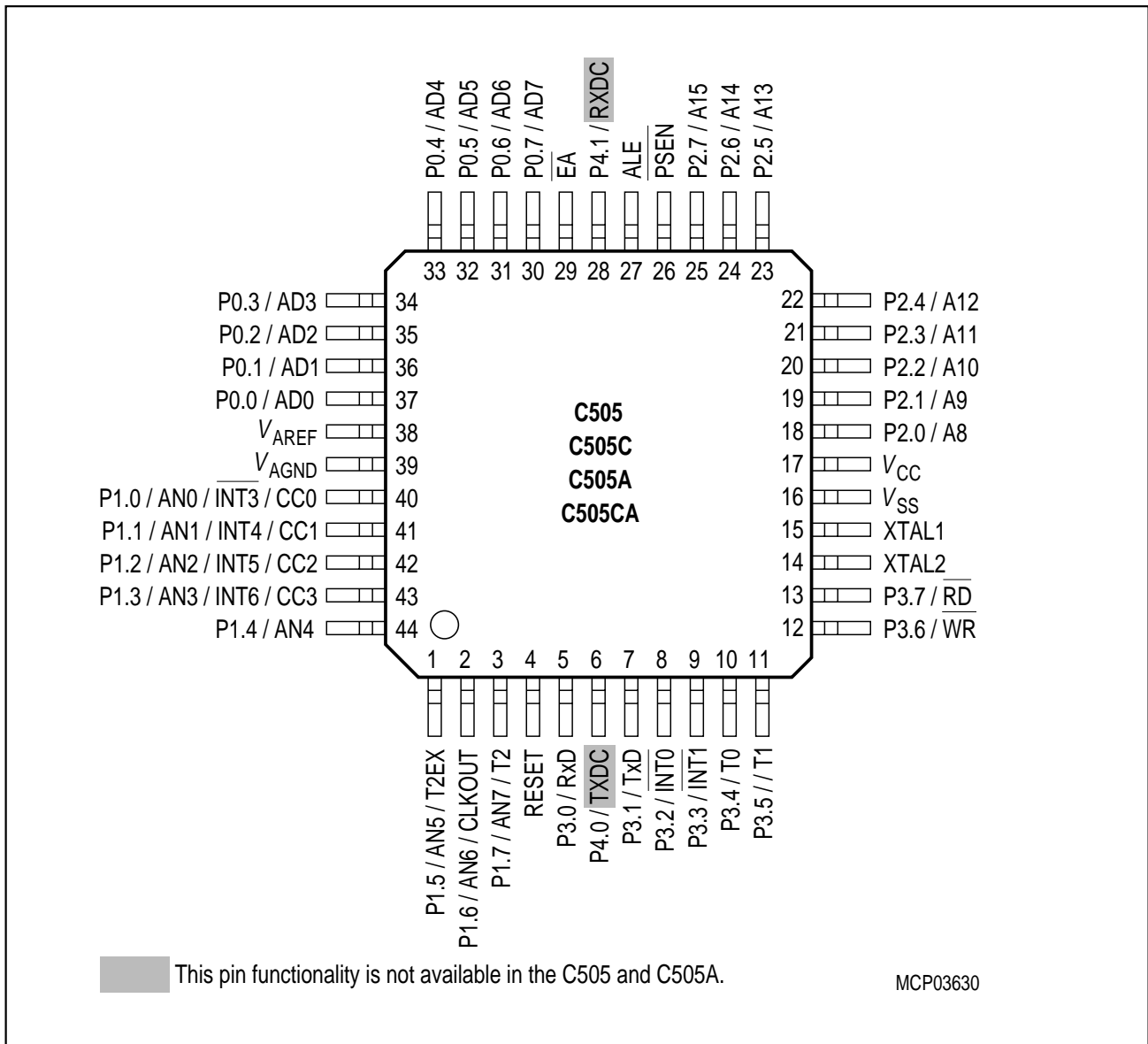


**Figure 2**  
**Logic Symbol**

**Additional Literature**

For further information about the C505/C505C/C505A/C505CA the following literature is available:

| Title   | Ordering Number     |
|---|---------------------|
| C505 8-Bit CMOS Microcontroller User's Manual                                 | B158-H7116-X-X-7600 |
| C500 Microcontroller Family<br>Architecture and Instruction Set User's Manual | B158-H6987-X-X-7600 |
| C500 Microcontroller Family - Pocket Guide                                    | B158-H6986-X-X-7600 |



**Figure 3**  
**C505 Pin Configuration P-MQFP-44 Package (top view)**

**Table 3**  
**Pin Definitions and Functions**

| Symbol    | Pin Number | I/O<br>) | Function   |
|-----------|------------|----------|--|
| P1.0-P1.7 | 40-44,1-3  | I/O      | <p><b>Port 1</b><br/>is an 8-bit quasi-bidirectional port with internal pull-up arrangement. Port 1 pins can be used for digital input/output or as analog inputs of the A/D converter. Port 1 pins that have 1's written to them are pulled high by internal pull-up transistors and in that state can be used as inputs. As inputs, port 1 pins being externally pulled low will source current (<math>I_{IL}</math>, in the DC characteristics) because of the internal pullup transistors. Port 1 pins are assigned to be used as analog inputs via the register P1ANA.</p> <p>As secondary digital functions, port 1 contains the interrupt, timer, clock, capture and compare pins. The output latch corresponding to a secondary function must be programmed to a one (1) for that function to operate (except for compare functions). The secondary functions are assigned to the pins of port 1 as follows:</p> |
|           | 40         |          | P1.0 / AN0 / $\overline{INT3}$ / CC0 Analog input channel 0<br>interrupt 3 input /<br>capture/compare channel 0 I/O  |
|           | 41         |          | P1.1 / AN1 / INT4 / CC1 Analog input channel 1/<br>interrupt 4 input /<br>capture/compare channel 1 I/O  |
|           | 42         |          | P1.2 / AN2 / INT5 / CC2 Analog input channel 2 /<br>interrupt 5 input /<br>capture/compare channel 2 I/O   |
|           | 43         |          | P1.3 / AN3 / INT6 / CC3 Analog input channel 3<br>interrupt 6 input /<br>capture/compare channel 4 I/O   |
|           | 44         |          | P1.4 / AN4 Analog input channel 4  |
|           | 1          |          | P1.5 / AN5 / T2EX Analog input channel 5 / Timer 2<br>external reload / trigger input  |
|           | 2          |          | P1.6 / AN6 / CLKOUT Analog input channel 6 /<br>system clock output  |
|           | 3          |          | P1.7 / AN7 / T2 Analog input channel 7 /<br>counter 2 input  |
|           |            |          | Port 1 is used for the low-order address byte during program verification of the C505-2R and C505C-2R.   |

\*) I = Input  
O = Output



**Table 3**  
**Pin Definitions and Functions (cont'd)**

| Symbol    | Pin Number               | I/O<br>) | Function  |   |            |  |   |   |            |  |  |   |                          |  |   |   |                          |  |   |    |           |  |                       |    |           |  |                       |    |                        |  |   |    |                        |  |  |
|-----------|--------------------------|----------|---|---|------------|--|---|---|------------|--|--|---|--------------------------|--|---|---|--------------------------|--|---|----|-----------|--|-----------------------|----|-----------|--|-----------------------|----|------------------------|--|---|----|------------------------|--|--|
| RESET     | 4                        | I        | <b>RESET</b><br>A high level on this pin for one machine cycle while the oscillator is running resets the device. An internal diffused resistor to $V_{SS}$ permits power-on reset using only an external capacitor to $V_{CC}$ .   |   |            |  |   |   |            |  |  |   |                          |  |   |   |                          |  |   |    |           |  |                       |    |           |  |                       |    |                        |  |   |    |                        |  |  |
| P3.0-P3.7 | 5, 7-13                  | I/O      | <b>Port 3</b><br>is an 8-bit quasi-bidirectional port with internal pull-up arrangement. Port 3 pins that have 1's written to them are pulled high by the internal pull-up transistors and in that state can be used as inputs. As inputs, port 3 pins being externally pulled low will source current ( $I_{IL}$ , in the DC characteristics) because of the internal pullup transistors. The output latch corresponding to a secondary function must be programmed to a one (1) for that function to operate (except for TxD and $\overline{WR}$ ). The secondary functions are assigned to the pins of port 3 as follows:<br><table border="0" style="width: 100%; border-collapse: collapse;"> <tr> <td style="width: 10%; text-align: center;">5</td> <td style="width: 20%;">P3.0 / RxD</td> <td style="width: 10%;"></td> <td style="width: 70%;">Receiver data input (asynch.) or data input/output (synch.) of serial interface</td> </tr> <tr> <td style="text-align: center;">7</td> <td>P3.1 / TxD</td> <td></td> <td>Transmitter data output (asynch.) or clock output (synch.) of serial interface</td> </tr> <tr> <td style="text-align: center;">8</td> <td>P3.2 / <math>\overline{INT0}</math></td> <td></td> <td>External interrupt 0 input / timer 0 gate control input</td> </tr> <tr> <td style="text-align: center;">9</td> <td>P3.3 / <math>\overline{INT1}</math></td> <td></td> <td>External interrupt 1 input / timer 1 gate control input</td> </tr> <tr> <td style="text-align: center;">10</td> <td>P3.4 / T0</td> <td></td> <td>Timer 0 counter input</td> </tr> <tr> <td style="text-align: center;">11</td> <td>P3.5 / T1</td> <td></td> <td>Timer 1 counter input</td> </tr> <tr> <td style="text-align: center;">12</td> <td>P3.6 / <math>\overline{WR}</math></td> <td></td> <td><math>\overline{WR}</math> control output; latches the data byte from port 0 into the external data memory</td> </tr> <tr> <td style="text-align: center;">13</td> <td>P3.7 / <math>\overline{RD}</math></td> <td></td> <td><math>\overline{RD}</math> control output; enables the external data memory</td> </tr> </table> | 5 | P3.0 / RxD |  | Receiver data input (asynch.) or data input/output (synch.) of serial interface | 7 | P3.1 / TxD |  | Transmitter data output (asynch.) or clock output (synch.) of serial interface | 8 | P3.2 / $\overline{INT0}$ |  | External interrupt 0 input / timer 0 gate control input | 9 | P3.3 / $\overline{INT1}$ |  | External interrupt 1 input / timer 1 gate control input | 10 | P3.4 / T0 |  | Timer 0 counter input | 11 | P3.5 / T1 |  | Timer 1 counter input | 12 | P3.6 / $\overline{WR}$ |  | $\overline{WR}$ control output; latches the data byte from port 0 into the external data memory | 13 | P3.7 / $\overline{RD}$ |  | $\overline{RD}$ control output; enables the external data memory |
| 5         | P3.0 / RxD               |          | Receiver data input (asynch.) or data input/output (synch.) of serial interface   |   |            |  |   |   |            |  |  |   |                          |  |   |   |                          |  |   |    |           |  |                       |    |           |  |                       |    |                        |  |   |    |                        |  |  |
| 7         | P3.1 / TxD               |          | Transmitter data output (asynch.) or clock output (synch.) of serial interface  |   |            |  |   |   |            |  |  |   |                          |  |   |   |                          |  |   |    |           |  |                       |    |           |  |                       |    |                        |  |   |    |                        |  |  |
| 8         | P3.2 / $\overline{INT0}$ |          | External interrupt 0 input / timer 0 gate control input   |   |            |  |   |   |            |  |  |   |                          |  |   |   |                          |  |   |    |           |  |                       |    |           |  |                       |    |                        |  |   |    |                        |  |  |
| 9         | P3.3 / $\overline{INT1}$ |          | External interrupt 1 input / timer 1 gate control input   |   |            |  |   |   |            |  |  |   |                          |  |   |   |                          |  |   |    |           |  |                       |    |           |  |                       |    |                        |  |   |    |                        |  |  |
| 10        | P3.4 / T0                |          | Timer 0 counter input   |   |            |  |   |   |            |  |  |   |                          |  |   |   |                          |  |   |    |           |  |                       |    |           |  |                       |    |                        |  |   |    |                        |  |  |
| 11        | P3.5 / T1                |          | Timer 1 counter input   |   |            |  |   |   |            |  |  |   |                          |  |   |   |                          |  |   |    |           |  |                       |    |           |  |                       |    |                        |  |   |    |                        |  |  |
| 12        | P3.6 / $\overline{WR}$   |          | $\overline{WR}$ control output; latches the data byte from port 0 into the external data memory   |   |            |  |   |   |            |  |  |   |                          |  |   |   |                          |  |   |    |           |  |                       |    |           |  |                       |    |                        |  |   |    |                        |  |  |
| 13        | P3.7 / $\overline{RD}$   |          | $\overline{RD}$ control output; enables the external data memory  |   |            |  |   |   |            |  |  |   |                          |  |   |   |                          |  |   |    |           |  |                       |    |           |  |                       |    |                        |  |   |    |                        |  |  |

\*) I = Input  
O = Output

**Table 3**  
**Pin Definitions and Functions (cont'd)**

| Symbol       | Pin Number | I/O<br>*)  | Function  |
|--------------|------------|------------|---|
| P4.0<br>P4.1 | 6<br>28    | I/O<br>I/O | <p><b>Port 4</b><br/>is a 2-bit quasi-bidirectional port with internal pull-up arrangement. Port 4 pins that have 1's written to them are pulled high by the internal pull-up transistors and in that state can be used as inputs. As inputs, port 4 pins being externally pulled low will source current (<math>I_{IL}</math>, in the DC characteristics) because of the internal pullup transistors. The output latch corresponding to the secondary function RXDC must be programmed to a one (1) for that function to operate. The secondary functions are assigned to the two pins of port 4 as follows (C505C and C505CA only) :</p> <p>P4.0 / TXDC            Transmitter output of CAN controller<br/>P4.1 / RXDC            Receiver input of CAN controller</p> |
| XTAL2        | 14         | O          | <p><b>XTAL2</b><br/>Output of the inverting oscillator amplifier.</p>   |
| XTAL1        | 15         | I          | <p><b>XTAL1</b><br/>Input to the inverting oscillator amplifier and input to the internal clock generator circuits.<br/>To drive the device from an external clock source, XTAL1 should be driven, while XTAL2 is left unconnected. To operate above a frequency of 16 MHz, a duty cycle of the external clock signal of 50 % should be maintained.<br/>Minimum and maximum high and low times as well as rise/fall times specified in the AC characteristics must be observed.</p>   |

\*) I = Input  
O = Output

**Table 3**  
**Pin Definitions and Functions (cont'd)**

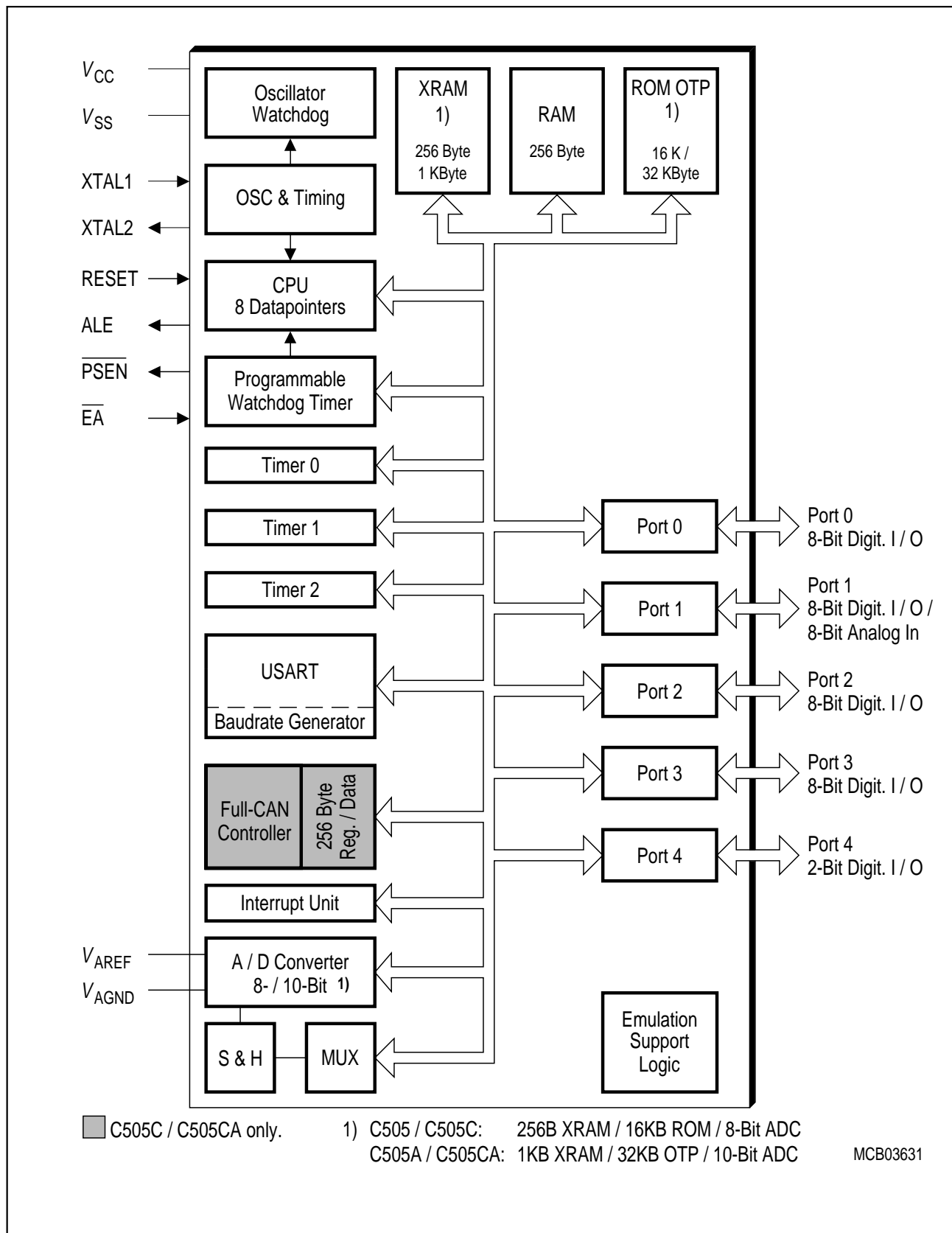
| Symbol                   | Pin Number | I/O<br>) | Function  |
|--------------------------|------------|----------|---|
| P2.0-P2.7                | 18-25      | I/O      | <p><b>Port 2</b></p> <p>is a an 8-bit quasi-bidirectional I/O port with internal pullup resistors. Port 2 pins that have 1's written to them are pulled high by the internal pullup resistors, and in that state can be used as inputs. As inputs, port 2 pins being externally pulled low will source current (<math>I_{IL}</math>, in the DC characteristics) because of the internal pullup resistors. Port 2 emits the high-order address byte during fetches from external program memory and during accesses to external data memory that use 16-bit addresses (MOVX @DPTR). In this application it uses strong internal pullup transistors when issuing 1s. During accesses to external data memory that use 8-bit addresses (MOVX @Ri), port 2 issues the contents of the P2 special function register and uses only the internal pullup resistors.</p> |
| $\overline{\text{PSEN}}$ | 26         | O        | <p>The <b>Program Store Enable</b></p> <p>output is a control signal that enables the external program memory to the bus during external fetch operations. It is activated every three oscillator periods except during external data memory accesses. Remains high during internal program execution. This pin should not be driven during reset operation.</p>  |
| ALE                      | 27         | O        | <p>The <b>Address Latch Enable</b></p> <p>output is used for latching the low-byte of the address into external memory during normal operation. It is activated every three oscillator periods except during an external data memory access. When instructions are executed from internal ROM or OTP (<math>\overline{\text{EA}}=1</math>) the ALE generation can be disabled by bit EALE in SFR SYSCON. ALE should not be driven during reset operation.</p>   |

\*) I = Input  
O = Output

**Table 3**  
**Pin Definitions and Functions (cont'd)**

| Symbol          | Pin Number | I/O<br>) | Function   |
|-----------------|------------|----------|--|
| $\overline{EA}$ | 29         | I        | <b>External Access Enable</b><br>When held at high level, instructions are fetched from the internal ROM or OTP memory when the PC is less than 4000H (C505 and C505C) or less than 8000H (C505A and C505CA). When held at low level, the C505 fetches all instructions from external program memory. $\overline{EA}$ should not be driven during reset operation.<br>For the C505-L and the C505C-L this pin must be tied low.  |
| P0.0-P0.7       | 37-30      | I/O      | <b>Port 0</b><br>is an 8-bit open-drain bidirectional I/O port. Port 0 pins that have 1's written to them float, and in that state can be used as high-impedance inputs. Port 0 is also the multiplexed low-order address and data bus during accesses to external program or data memory. In this application it uses strong internal pullup transistors when issuing 1's.<br>Port 0 also outputs the code bytes during program verification in the C505-2R/C505C-2R. External pullup resistors are required during program verification. |
| $V_{AREF}$      | 38         | –        | <b>Reference voltage</b> for the A/D converter.  |
| $V_{AGND}$      | 39         | –        | <b>Reference ground</b> for the A/D converter.   |
| $V_{SS}$        | 16         | –        | <b>Ground</b> (0 V)  |
| $V_{CC}$        | 17         | –        | <b>Power Supply</b> (+ 5 V)  |

\*) I = Input  
O = Output



**Figure 4**  
**Block Diagram of the C505/C505C/C505A/C505CA**

### CPU

The C505 is efficient both as a controller and as an arithmetic processor. It has extensive facilities for binary and BCD arithmetic and excels in its bit-handling capabilities. Efficient use of program memory results from an instruction set consisting of 44 % one-byte, 41 % two-byte, and 15% three-byte instructions. With a 16 MHz crystal, 58% of the instructions are executed in 375 ns.

### Special Function Register PSW (Address D0<sub>H</sub>)

Reset Value : 00<sub>H</sub>

|                 |                 |                 |                 |                 |                 |                 |                 |                 |     |
|-----------------|-----------------|-----------------|-----------------|-----------------|-----------------|-----------------|-----------------|-----------------|-----|
| Bit No.         | MSB             |                 |                 |                 |                 |                 |                 | LSB             |     |
|                 | D7 <sub>H</sub> | D6 <sub>H</sub> | D5 <sub>H</sub> | D4 <sub>H</sub> | D3 <sub>H</sub> | D2 <sub>H</sub> | D1 <sub>H</sub> | D0 <sub>H</sub> |     |
| D0 <sub>H</sub> | CY              | AC              | F0              | RS1             | RS0             | OV              | F1              | P               | PSW |

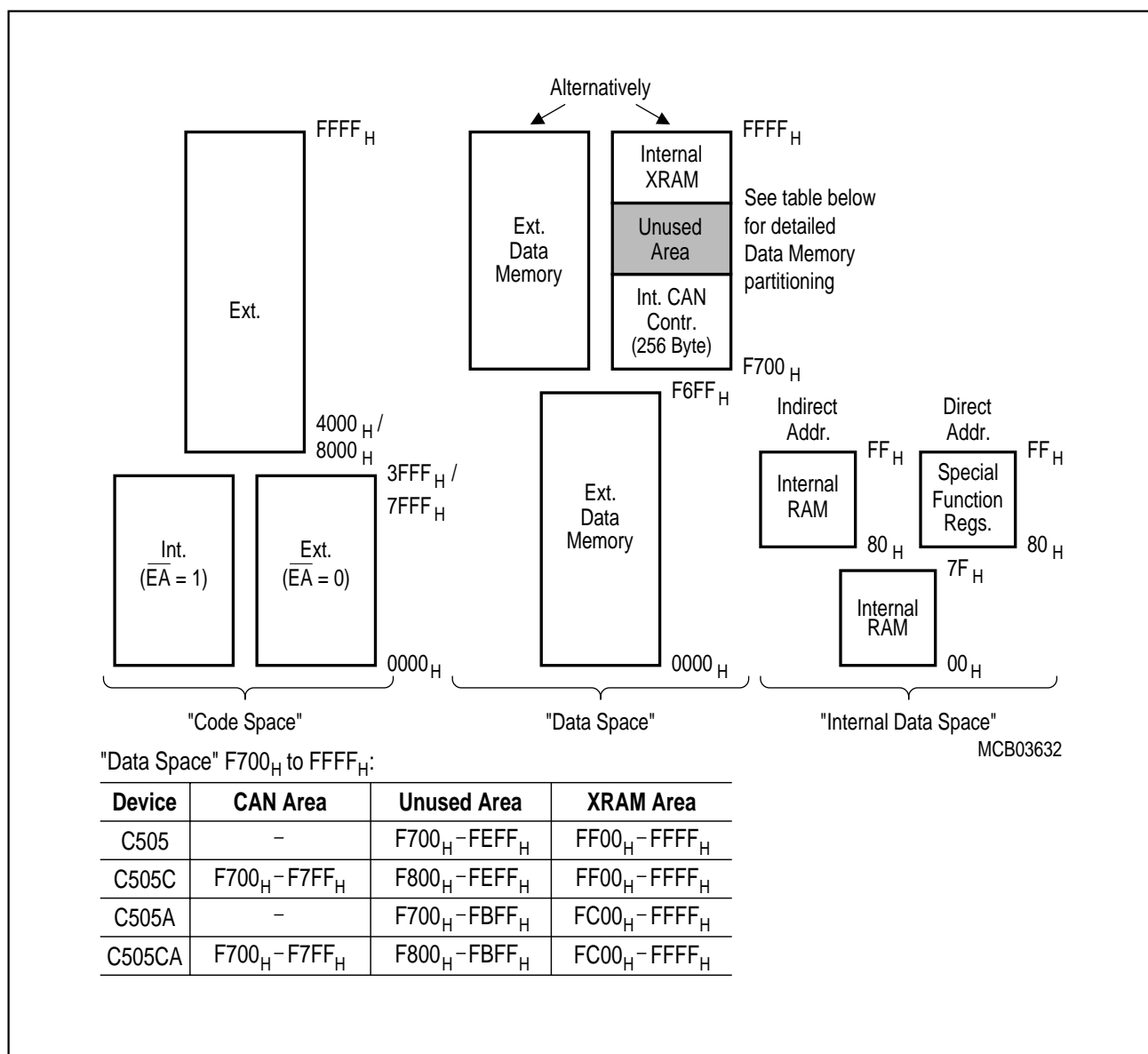
| Bit        | Function   |  |     |          |   |   |  |   |   |  |   |   |  |   |   |  |
|------------|--|--|-----|----------|---|---|--|---|---|--|---|---|--|---|---|--|
| CY         | <b>Carry Flag</b><br>Used by arithmetic instruction.   |  |     |          |   |   |  |   |   |  |   |   |  |   |   |  |
| AC         | <b>Auxiliary Carry Flag</b><br>Used by instructions which execute BCD operations.  |  |     |          |   |   |  |   |   |  |   |   |  |   |   |  |
| F0         | <b>General Purpose Flag</b>  |  |     |          |   |   |  |   |   |  |   |   |  |   |   |  |
| RS1<br>RS0 | <b>Register Bank Select Control Bits</b><br>These bits are used to select one of the four register banks.  |  |     |          |   |   |  |   |   |  |   |   |  |   |   |  |
|            | <table border="1"> <thead> <tr> <th>RS1</th> <th>RS0</th> <th>Function</th> </tr> </thead> <tbody> <tr> <td>0</td> <td>0</td> <td>Bank 0 selected, data address 00<sub>H</sub>-07<sub>H</sub></td> </tr> <tr> <td>0</td> <td>1</td> <td>Bank 1 selected, data address 08<sub>H</sub>-0F<sub>H</sub></td> </tr> <tr> <td>1</td> <td>0</td> <td>Bank 2 selected, data address 10<sub>H</sub>-17<sub>H</sub></td> </tr> <tr> <td>1</td> <td>1</td> <td>Bank 3 selected, data address 18<sub>H</sub>-1F<sub>H</sub></td> </tr> </tbody> </table> | RS1  | RS0 | Function | 0 | 0 | Bank 0 selected, data address 00 <sub>H</sub> -07 <sub>H</sub> | 0 | 1 | Bank 1 selected, data address 08 <sub>H</sub> -0F <sub>H</sub> | 1 | 0 | Bank 2 selected, data address 10 <sub>H</sub> -17 <sub>H</sub> | 1 | 1 | Bank 3 selected, data address 18 <sub>H</sub> -1F <sub>H</sub> |
| RS1        | RS0  | Function   |     |          |   |   |  |   |   |  |   |   |  |   |   |  |
| 0          | 0  | Bank 0 selected, data address 00 <sub>H</sub> -07 <sub>H</sub> |     |          |   |   |  |   |   |  |   |   |  |   |   |  |
| 0          | 1  | Bank 1 selected, data address 08 <sub>H</sub> -0F <sub>H</sub> |     |          |   |   |  |   |   |  |   |   |  |   |   |  |
| 1          | 0  | Bank 2 selected, data address 10 <sub>H</sub> -17 <sub>H</sub> |     |          |   |   |  |   |   |  |   |   |  |   |   |  |
| 1          | 1  | Bank 3 selected, data address 18 <sub>H</sub> -1F <sub>H</sub> |     |          |   |   |  |   |   |  |   |   |  |   |   |  |
| OV         | <b>Overflow Flag</b><br>Used by arithmetic instruction.  |  |     |          |   |   |  |   |   |  |   |   |  |   |   |  |
| F1         | <b>General Purpose Flag</b>  |  |     |          |   |   |  |   |   |  |   |   |  |   |   |  |
| P          | <b>Parity Flag</b><br>Set/cleared by hardware after each instruction to indicate an odd/even number of "one" bits in the accumulator, i.e. even parity.  |  |     |          |   |   |  |   |   |  |   |   |  |   |   |  |

## Memory Organization

The C505 CPU manipulates operands in the following four address spaces:

- On-chip program memory : 16 Kbyte ROM (C505-2R/C505C-2R) or 32 Kbyte OTP (C505A-4E/C505CA-4E)
- Totally up to 64 Kbyte internal/external program memory
- up to 64 Kbyte of external data memory
- 256 bytes of internal data memory
- Internal XRAM data memory : 256 byte (C505/C505C)  
1k byte (C505A/C505CA)
- a 128 byte special function register area

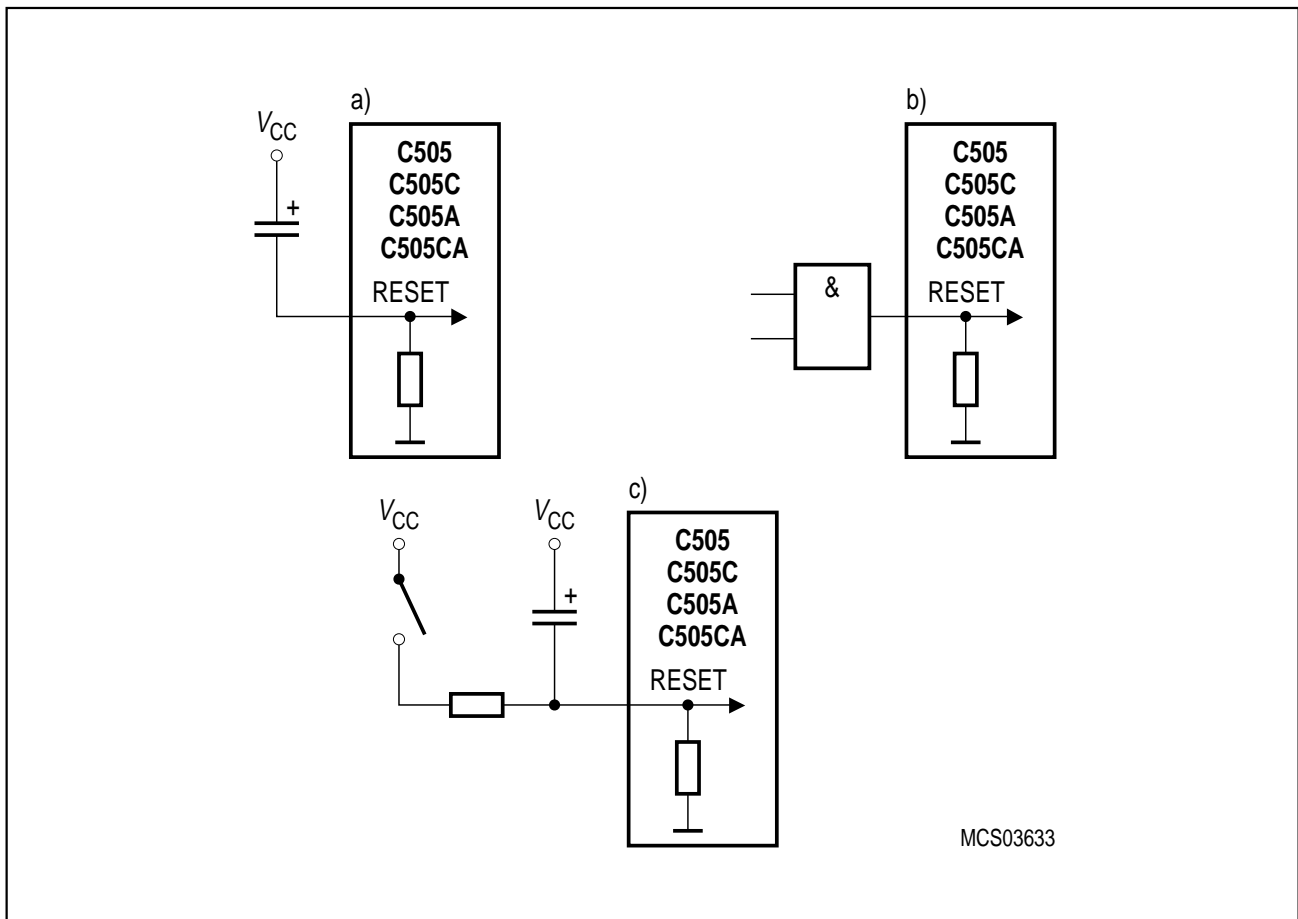
Figure 5 illustrates the memory address spaces of the C505 versions.



**Figure 5**  
**C505 Memory Map Memory Map**

## Reset and System Clock

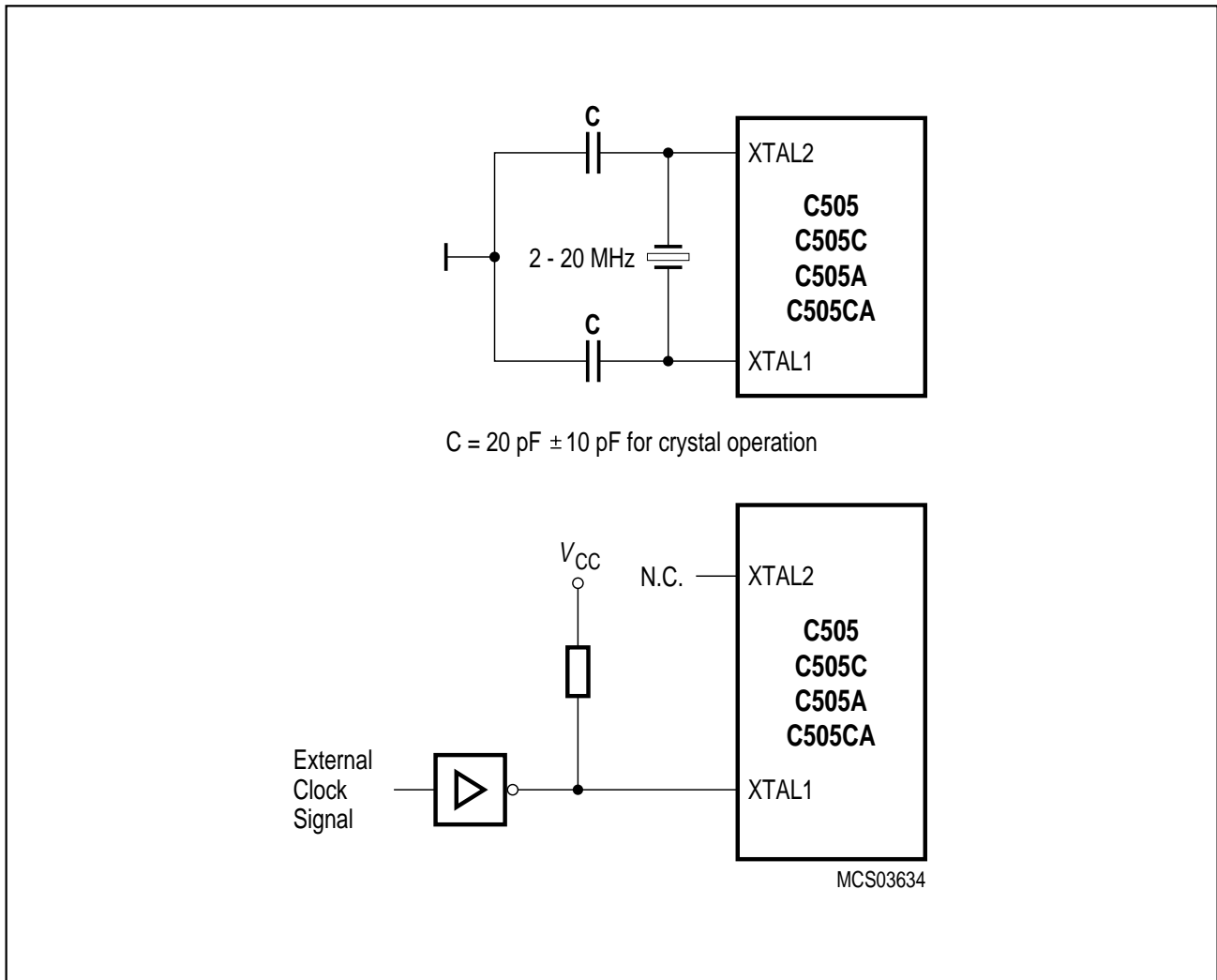
The reset input is an active high input at pin RESET. Since the reset is synchronized internally, the RESET pin must be held high for at least two machine cycles (12 oscillator periods) while the oscillator is running. A pulldown resistor is internally connected to  $V_{SS}$  to allow a power-up reset with an external capacitor only. An automatic reset can be obtained when  $V_{CC}$  is applied by connecting the RESET pin to  $V_{CC}$  via a capacitor. **Figure 6** shows the possible reset circuitries.



**Figure 6**  
**Reset Circuitries**



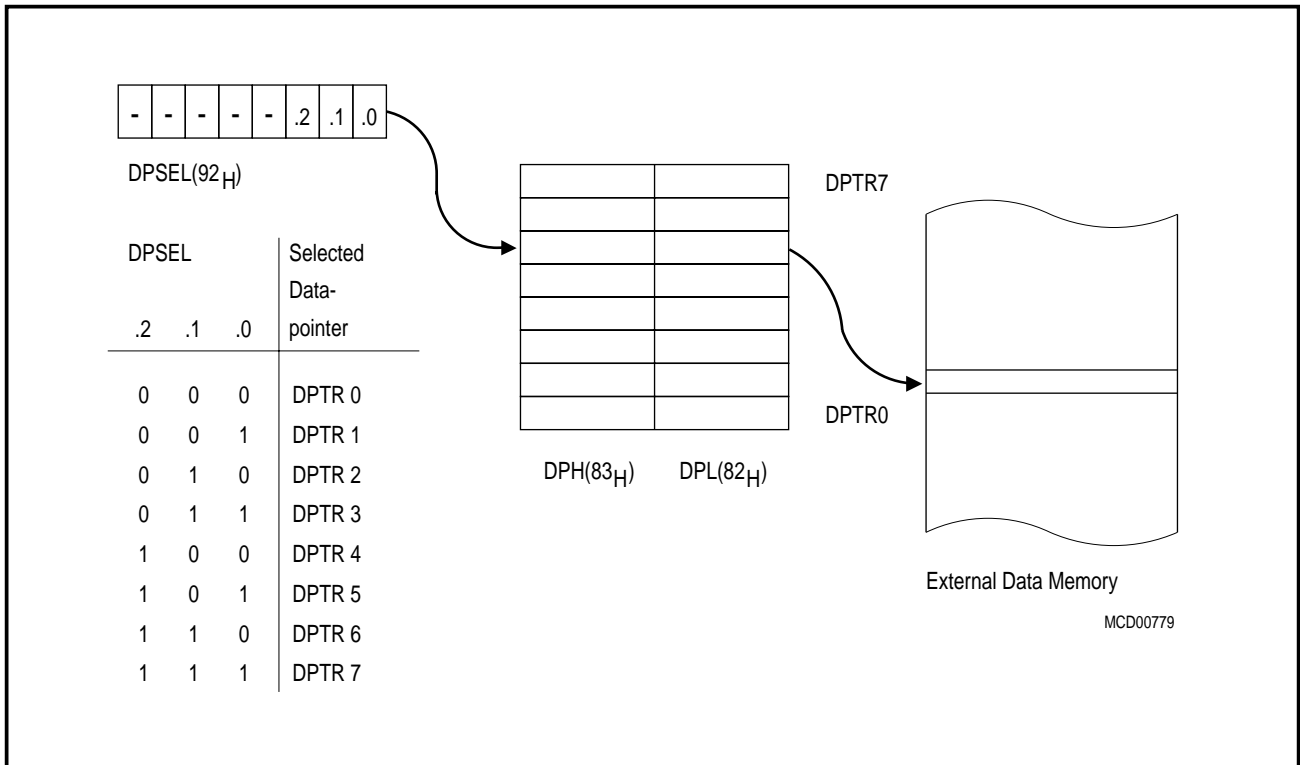
Figure 7 shows the recommended oscillator circuits for crystal and external clock operation.



**Figure 7**  
**Recommended Oscillator Circuitries**

**Multiple Datapointers**

As a functional enhancement to the standard 8051 architecture, the C505 contains eight 16-bit datapointers instead of only one datapointer. The instruction set uses just one of these datapointers at a time. The selection of the actual datapointer is done in the special function register DPSEL. **Figure 8** illustrates the datapointer addressing mechanism.



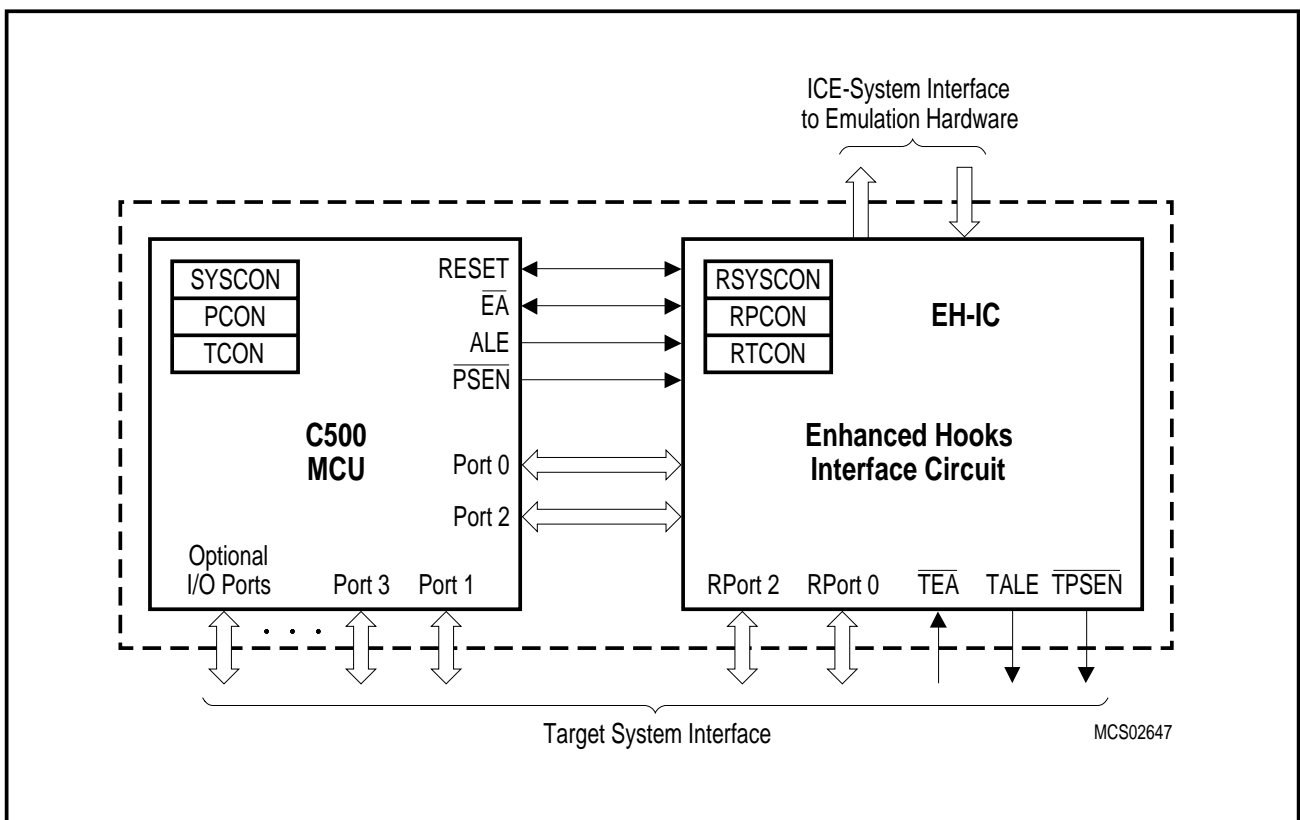
**Figure 8**  
**External Data Memory Addressing using Multiple Datapointers**

**Enhanced Hooks Emulation Concept**

The Enhanced Hooks Emulation Concept of the C500 microcontroller family is a new, innovative way to control the execution of C500 MCUs and to gain extensive information on the internal operation of the controllers. Emulation of on-chip ROM based programs is possible, too.

Each production chip has built-in logic for the support of the Enhanced Hooks Emulation Concept. Therefore, no costly bond-out chips are necessary for emulation. This also ensures that emulation and production chips are identical.

The Enhanced Hooks Technology™<sup>1)</sup>, which requires embedded logic in the C500 allows the C500 together with an EH-IC to function similar to a bond-out chip. This simplifies the design and reduces costs of an ICE-system. ICE-systems using an EH-IC and a compatible C500 are able to emulate all operating modes of the different versions of the C500 microcontrollers. This includes emulation of ROM, ROM with code rollover and ROMless modes of operation. It is also able to operate in single step mode and to read the SFRs after a break.



**Figure 9**  
**Basic C500 MCU Enhanced Hooks Concept Configuration**

Port 0, port 2 and some of the control lines of the C500 based MCU are used by Enhanced Hooks Emulation Concept to control the operation of the device during emulation and to transfer informations about the program execution and data transfer between the external emulation hardware (ICE-system) and the C500 MCU.

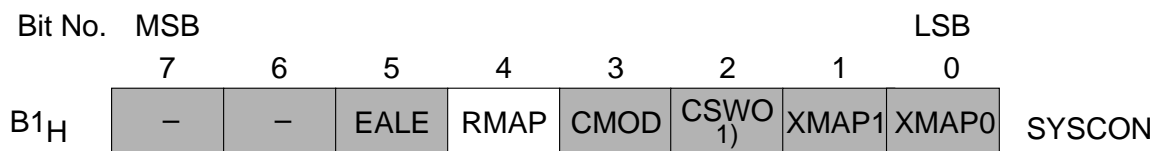
1) "Enhanced Hooks Technology" is a trademark and patent of Metalink Corporation licensed to Siemens.

## Special Function Registers

The registers, except the program counter and the four general purpose register banks, reside in the special function register area. The special function register area consists of two portions : the standard special function register area and the mapped special function register area. Five special function register of the C505 (PCON1,P1ANA, VR0, VR1, VR2) are located in the mapped special function register area. For accessing the mapped special function register area, bit RMAP in special function register SYSCON must be set. All other special function registers are located in the standard special function register area which is accessed when RMAP is cleared ("0").

The registers and data locations of the CAN controller (CAN-SFRs) are located in the external data memory area at addresses F700<sub>H</sub> to F7FF<sub>H</sub>..

**Special Function Register SYSCON (Address B1<sub>H</sub>)** **Reset Value : XX100X01<sub>B</sub>**  
**(C505CA only) Reset Value : XX100001<sub>B</sub>**



The functions of the shaded bits are not described here.  
1) This bit is only available in the C505CA.

| Bit  | Function   |
|------|--|
| RMAP | Special function register map bit<br>RMAP = 0 : The access to the non-mapped (standard) special function register area is enabled.<br>RMAP = 1 : The access to the mapped special function register area is enabled. |

As long as bit RMAP is set, mapped special function register area can be accessed. This bit is not cleared by hardware automatically. Thus, when non-mapped/mapped registers are to be accessed, the bit RMAP must be cleared/set respectively by software.

All SFRs with addresses where address bits 0-2 are 0 (e.g. 80<sub>H</sub>, 88<sub>H</sub>, 90<sub>H</sub>, 98<sub>H</sub>, ..., F8<sub>H</sub>, FF<sub>H</sub>) are bitaddressable.

The 52 special function registers (SFRs) in the standard and mapped SFR area include pointers and registers that provide an interface between the CPU and the other on-chip peripherals. The SFRs of the C505 are listed in **table 4** and **table 5**. In **table 4** they are organized in groups which refer to the functional blocks of the C505. The CAN-SFRs (applicable for the C505C and C505CA only) are also included in **table 4**. **Table 5** illustrates the contents of the SFRs in numeric order of their addresses. **Table 6** list the CAN-SFRs in numeric order of their addresses. .

**Table 4**  
**Special Function Registers - Functional Blocks**

| Block               | Symbol                 | Name  | Address                  | Contents after Reset                                     |
|---------------------|------------------------|---|--------------------------|--|
| CPU                 | ACC                    | Accumulator   | <b>E0H</b> <sup>1)</sup> | 00H  |
|                     | B                      | B-Register  | <b>F0H</b> <sup>1)</sup> | 00H  |
|                     | DPH                    | Data Pointer, High Byte   | 83H                      | 00H  |
|                     | DPL                    | Data Pointer, Low Byte  | 82H                      | 00H  |
|                     | DPSEL                  | Data Pointer Select Register  | 92H                      | XXXXX000B <sup>3)</sup>                                  |
|                     | PSW                    | Program Status Word Register  | <b>D0H</b> <sup>1)</sup> | 00H  |
|                     | SP                     | Stack Pointer   | 81H                      | 07H  |
|                     | SYSCON <sup>2)</sup>   | System Control Register   | B1H                      | XX100X01B <sup>3) 6)</sup><br>XX100001B <sup>3) 7)</sup> |
|                     | VR0 <sup>4)</sup>      | Version Register 0  | FC <sub>H</sub>          | C5 <sub>H</sub>  |
|                     | VR1 <sup>4)</sup>      | Version Register 1  | FD <sub>H</sub>          | 05 <sub>H</sub> <sup>6)</sup>                            |
|                     | VR2 <sup>4)</sup>      | Version Register 2  | FE <sub>H</sub>          | 85 <sub>H</sub> <sup>7)</sup><br>5)                      |
| A/D-<br>Converter   | ADCON0 <sup>2)</sup>   | A/D Converter Control Register 0                                      | <b>D8H</b> <sup>1)</sup> | 00X00000B <sup>3)</sup>                                  |
|                     | ADCON1                 | A/D Converter Control Register 1                                      | DC <sub>H</sub>          | 01XXX000B <sup>3)</sup>                                  |
|                     | ADDAT                  | A/D Converter Data Reg. (C505/C505C)                                  | D9 <sub>H</sub>          | 00 <sub>H</sub>  |
|                     | ADST                   | A/D Converter Start Reg. (C505/C505C)                                 | DA <sub>H</sub>          | XX <sub>H</sub> <sup>3)</sup>                            |
|                     | ADDATH                 | A/D Converter High Byte Data Register<br>(C505A/C505CA)               | D9 <sub>H</sub>          | 00 <sub>H</sub>  |
|                     | ADDATL                 | A/D Converter Low Byte Data Register<br>(C505A/C505CA)                | DA <sub>H</sub>          | 00XXXXXXB <sup>3)</sup>                                  |
|                     | P1ANA <sup>2) 4)</sup> | Port 1 Analog Input Selection Register                                | <b>90H</b> <sup>1)</sup> | FF <sub>H</sub>  |
| Interrupt<br>System | IEN0 <sup>2)</sup>     | Interrupt Enable Register 0   | <b>A8H</b> <sup>1)</sup> | 00 <sub>H</sub>  |
|                     | IEN1 <sup>2)</sup>     | Interrupt Enable Register 1   | <b>B8H</b> <sup>1)</sup> | 00 <sub>H</sub>  |
|                     | IP0 <sup>2)</sup>      | Interrupt Priority Register 0   | A9 <sub>H</sub>          | 00 <sub>H</sub>  |
|                     | IP1                    | Interrupt Priority Register 1   | B9 <sub>H</sub>          | XX000000B <sup>3)</sup>                                  |
|                     | TCON <sup>2)</sup>     | Timer Control Register  | <b>88H</b> <sup>1)</sup> | 00 <sub>H</sub>  |
|                     | T2CON <sup>2)</sup>    | Timer 2 Control Register  | <b>C8H</b> <sup>1)</sup> | 00X00000B  |
|                     | SCON <sup>2)</sup>     | Serial Channel Control Register                                       | <b>98H</b> <sup>1)</sup> | 00 <sub>H</sub>  |
|                     | IRCON                  | Interrupt Request Control Register                                    | <b>C0H</b> <sup>1)</sup> | 00 <sub>H</sub>  |
| XRAM                | XPAGE                  | Page Address Register for Extended on-chip<br>XRAM and CAN Controller | 91 <sub>H</sub>          | 00 <sub>H</sub>  |
|                     | SYSCON <sup>2)</sup>   | System Control Register   | B1 <sub>H</sub>          | XX100X01B <sup>3) 6)</sup><br>XX100001B <sup>3) 7)</sup> |

1) Bit-addressable special function registers

2) This special function register is listed repeatedly since some bits of it also belong to other functional blocks.

3) "X" means that the value is undefined and the location is reserved

4) This SFR is a mapped SFR. For accessing this SFR, bit RMAP in SFR SYSCON must be set.

5) The content of this SFR varies with the actual step of the C505 (eg. 01<sub>H</sub> for the first step)

6) C505 / C505A only

7) C505C / C505CA only

**Table 4**  
**Special Function Registers - Functional Blocks (cont'd)**

| Block                                    | Symbol                 | Name                                      | Address                  | Contents after Reset                |
|--|------------------------|---|--------------------------|-------------------------------------|
| Ports                                    | P0                     | Port 0                                    | <b>80H</b> <sup>1)</sup> | FF <sub>H</sub>                     |
|  | P1                     | Port 1                                    | <b>90H</b> <sup>1)</sup> | FF <sub>H</sub>                     |
|  | P1ANA <sup>2) 4)</sup> | Port 1 Analog Input Selection Register    | <b>90H</b> <sup>1)</sup> | FF <sub>H</sub>                     |
|  | P2                     | Port 2                                    | <b>A0H</b> <sup>1)</sup> | FF <sub>H</sub>                     |
|  | P3                     | Port 3                                    | <b>B0H</b> <sup>1)</sup> | FF <sub>H</sub>                     |
|  | P4                     | Port 4                                    | <b>E8H</b> <sup>1)</sup> | XXXXXX11 <sub>B</sub>               |
| Serial Channel                           | ADCON0 <sup>2)</sup>   | A/D Converter Control Register 0          | <b>D8H</b> <sup>1)</sup> | 00X00000 <sub>B</sub> <sup>3)</sup> |
|  | PCON <sup>2)</sup>     | Power Control Register                    | 87 <sub>H</sub>          | 00 <sub>H</sub>                     |
|  | SBUF                   | Serial Channel Buffer Register            | 99 <sub>H</sub>          | XX <sub>H</sub> <sup>3)</sup>       |
|  | SCON                   | Serial Channel Control Register           | <b>98H</b> <sup>1)</sup> | 00 <sub>H</sub>                     |
|  | SRELL                  | Serial Channel Reload Register, low byte  | AA <sub>H</sub>          | D9 <sub>H</sub>                     |
|  | SRELH                  | Serial Channel Reload Register, high byte | BA <sub>H</sub>          | XXXXXX11 <sub>B</sub> <sup>3)</sup> |
| Timer 0/<br>Timer 1                      | TCON                   | Timer 0/1 Control Register                | <b>88H</b> <sup>1)</sup> | 00 <sub>H</sub>                     |
|  | TH0                    | Timer 0, High Byte                        | 8C <sub>H</sub>          | 00 <sub>H</sub>                     |
|  | TH1                    | Timer 1, High Byte                        | 8D <sub>H</sub>          | 00 <sub>H</sub>                     |
|  | TL0                    | Timer 0, Low Byte                         | 8A <sub>H</sub>          | 00 <sub>H</sub>                     |
|  | TL1                    | Timer 1, Low Byte                         | 8B <sub>H</sub>          | 00 <sub>H</sub>                     |
|  | TMOD                   | Timer Mode Register                       | 89 <sub>H</sub>          | 00 <sub>H</sub>                     |
| Compare/<br>Capture<br>Unit /<br>Timer 2 | CCEN                   | Comp./Capture Enable Reg.                 | C1 <sub>H</sub>          | 00 <sub>H</sub> <sup>3)</sup>       |
|  | CCH1                   | Comp./Capture Reg. 1, High Byte           | C3 <sub>H</sub>          | 00 <sub>H</sub>                     |
|  | CCH2                   | Comp./Capture Reg. 2, High Byte           | C5 <sub>H</sub>          | 00 <sub>H</sub>                     |
|  | CCH3                   | Comp./Capture Reg. 3, High Byte           | C7 <sub>H</sub>          | 00 <sub>H</sub>                     |
|  | CCL1                   | Comp./Capture Reg. 1, Low Byte            | C2 <sub>H</sub>          | 00 <sub>H</sub>                     |
|  | CCL2                   | Comp./Capture Reg. 2, Low Byte            | C4 <sub>H</sub>          | 00 <sub>H</sub>                     |
|  | CCL3                   | Comp./Capture Reg. 3, Low Byte            | C6 <sub>H</sub>          | 00 <sub>H</sub>                     |
|  | CRCH                   | Reload Register High Byte                 | CB <sub>H</sub>          | 00 <sub>H</sub>                     |
|  | CRCL                   | Reload Register Low Byte                  | CA <sub>H</sub>          | 00 <sub>H</sub>                     |
|  | TH2                    | Timer 2, High Byte                        | CD <sub>H</sub>          | 00 <sub>H</sub>                     |
|  | TL2                    | Timer 2, Low Byte                         | CC <sub>H</sub>          | 00 <sub>H</sub>                     |
|  | T2CON                  | Timer 2 Control Register                  | <b>C8H</b> <sup>1)</sup> | 00X00000 <sub>B</sub> <sup>3)</sup> |
|  | IEN0 <sup>2)</sup>     | Interrupt Enable Register 0               | <b>A8H</b> <sup>1)</sup> | 00 <sub>H</sub>                     |
|  | IEN1 <sup>2)</sup>     | Interrupt Enable Register 1               | <b>B8H</b> <sup>1)</sup> | 00 <sub>H</sub>                     |
| Watchdog                                 | WDTREL                 | Watchdog Timer Reload Register            | 86 <sub>H</sub>          | 00 <sub>H</sub>                     |
|  | IEN0 <sup>2)</sup>     | Interrupt Enable Register 0               | <b>A8H</b> <sup>1)</sup> | 00 <sub>H</sub>                     |
|  | IEN1 <sup>2)</sup>     | Interrupt Enable Register 1               | <b>B8H</b> <sup>1)</sup> | 00 <sub>H</sub>                     |
|  | IP0 <sup>2)</sup>      | Interrupt Priority Register 0             | A9 <sub>H</sub>          | 00 <sub>H</sub>                     |
| Pow. Save<br>Modes                       | PCON <sup>2)</sup>     | Power Control Register                    | 87 <sub>H</sub>          | 00 <sub>H</sub>                     |
|  | PCON1 <sup>4)</sup>    | Power Control Register 1                  | <b>88H</b> <sup>1)</sup> | 0XX0XXXX <sub>B</sub> <sup>3)</sup> |

1) Bit-addressable special function registers

2) This special function register is listed repeatedly since some bits of it also belong to other functional blocks.

3) "X" means that the value is undefined and the location is reserved

4) SFR is located in the mapped SFR area. For accessing this SFR, bit RMAP in SFR SYSCON must be set.

**Table 4**  
**Special Function Registers - Functional Blocks (cont'd)**

| Block                      | Symbol                     | Name                                     | Address                         | Contents after Reset                |  |
|----------------------------|----------------------------|--|---------------------------------|-------------------------------------|--|
| CAN<br>Controller          | CR                         | Control Register                         | F700 <sub>H</sub>               | 01 <sub>H</sub>                     |  |
|                            | SR                         | Status Register                          | F701 <sub>H</sub>               | XX <sub>H</sub> <sup>3)</sup>       |  |
|                            | IR                         | Interrupt Register                       | F702 <sub>H</sub>               | XX <sub>H</sub> <sup>3)</sup>       |  |
| (C505C/<br>C505CA<br>only) | BTR0                       | Bit Timing Register Low                  | F704 <sub>H</sub>               | UU <sub>H</sub> <sup>3)</sup>       |  |
|                            | BTR1                       | Bit Timing Register High                 | F705 <sub>H</sub>               | 0UUUUUU <sub>B</sub> <sup>3)</sup>  |  |
|                            | GMS0                       | Global Mask Short Register Low           | F706 <sub>H</sub>               | UU <sub>H</sub> <sup>3)</sup>       |  |
|                            | GMS1                       | Global Mask Short Register High          | F707 <sub>H</sub>               | UUU11111 <sub>B</sub> <sup>3)</sup> |  |
|                            | UGML0                      | Upper Global Mask Long Register Low      | F708 <sub>H</sub>               | UU <sub>H</sub> <sup>3)</sup>       |  |
|                            | UGML1                      | Upper Global Mask Long Register High     | F709 <sub>H</sub>               | UU <sub>H</sub> <sup>3)</sup>       |  |
|                            | LGML0                      | Lower Global Mask Long Register Low      | F70A <sub>H</sub>               | UU <sub>H</sub> <sup>3)</sup>       |  |
|                            | LGML1                      | Lower Global Mask Long Register High     | F70B <sub>H</sub>               | UUUUU000 <sub>B</sub> <sup>3)</sup> |  |
|                            | UMLM0                      | Upper Mask of Last Message Register Low  | F70C <sub>H</sub>               | UU <sub>H</sub> <sup>3)</sup>       |  |
|                            | UMLM1                      | Upper Mask of Last Message Register High | F70D <sub>H</sub>               | UU <sub>H</sub> <sup>3)</sup>       |  |
|                            | LMLM0                      | Lower Mask of Last Message Register Low  | F70E <sub>H</sub>               | UU <sub>H</sub> <sup>3)</sup>       |  |
|                            | LMLM1                      | Lower Mask of Last Message Register High | F70F <sub>H</sub>               | UUUUU000 <sub>B</sub> <sup>3)</sup> |  |
|                            | Message Object Registers : |  |                                 |                                     |  |
|                            | MCR0                       | Message Control Register Low             | F7n0 <sub>H</sub> <sup>5)</sup> | UU <sub>H</sub> <sup>3)</sup>       |  |
|                            | MCR1                       | Message Control Register High            | F7n1 <sub>H</sub> <sup>5)</sup> | UU <sub>H</sub> <sup>3)</sup>       |  |
|                            | UAR0                       | Upper Arbitration Register Low           | F7n2 <sub>H</sub> <sup>5)</sup> | UU <sub>H</sub> <sup>3)</sup>       |  |
|                            | UAR1                       | Upper Arbitration Register High          | F7n3 <sub>H</sub> <sup>5)</sup> | UU <sub>H</sub> <sup>3)</sup>       |  |
|                            | LAR0                       | Lower Arbitration Register Low           | F7n4 <sub>H</sub> <sup>5)</sup> | UU <sub>H</sub> <sup>3)</sup>       |  |
|                            | LAR1                       | Lower Arbitration Register High          | F7n5 <sub>H</sub> <sup>5)</sup> | UUUUU000 <sub>B</sub> <sup>3)</sup> |  |
|                            | MCFG                       | Message Configuration Register           | F7n6 <sub>H</sub> <sup>5)</sup> | UUUUUU00 <sub>B</sub> <sup>3)</sup> |  |
|                            | DB0n                       | Message Data Byte 0                      | F7n7 <sub>H</sub> <sup>5)</sup> | XX <sub>H</sub> <sup>3)</sup>       |  |
|                            | DB1n                       | Message Data Byte 1                      | F7n8 <sub>H</sub> <sup>5)</sup> | XX <sub>H</sub> <sup>3)</sup>       |  |
|                            | DB2n                       | Message Data Byte 2                      | F7n9 <sub>H</sub> <sup>5)</sup> | XX <sub>H</sub> <sup>3)</sup>       |  |
| DB3n                       | Message Data Byte 3        | F7nA <sub>H</sub> <sup>5)</sup>          | XX <sub>H</sub> <sup>3)</sup>   |                                     |  |
| DB4n                       | Message Data Byte 4        | F7nB <sub>H</sub> <sup>5)</sup>          | XX <sub>H</sub> <sup>3)</sup>   |                                     |  |
| DB5n                       | Message Data Byte 5        | F7nC <sub>H</sub> <sup>5)</sup>          | XX <sub>H</sub> <sup>3)</sup>   |                                     |  |
| DB6n                       | Message Data Byte 6        | F7nD <sub>H</sub> <sup>5)</sup>          | XX <sub>H</sub> <sup>3)</sup>   |                                     |  |
| DB7n                       | Message Data Byte 7        | F7nE <sub>H</sub> <sup>5)</sup>          | XX <sub>H</sub> <sup>3)</sup>   |                                     |  |

1) Bit-addressable special function registers

2) This special function register is listed repeatedly since some bits of it also belong to other functional blocks.

3) "X" means that the value is undefined and the location is reserved. "U" means that the value is unchanged by a reset operation. "U" values are undefined (as "X") after a power-on reset operation

4) SFR is located in the mapped SFR area. For accessing this SFR, bit RMAP in SFR SYSCON must be set.

5) The notation "n" (n= 1 to F) in the message object address definition defines the number of the related message object.

**Table 5**  
**Contents of the SFRs, SFRs in numeric order of their addresses**

| Addr                          | Register | Content after Reset <sup>1)</sup> | Bit 7    | Bit 6        | Bit 5 | Bit 4 | Bit 3 | Bit 2        | Bit 1 | Bit 0 |
|-------------------------------|----------|-----------------------------------|----------|--------------|-------|-------|-------|--------------|-------|-------|
| 80 <sub>H</sub> <sup>2)</sup> | P0       | FF <sub>H</sub>                   | .7       | .6           | .5    | .4    | .3    | .2           | .1    | .0    |
| 81 <sub>H</sub>               | SP       | 07 <sub>H</sub>                   | .7       | .6           | .5    | .4    | .3    | .2           | .1    | .0    |
| 82 <sub>H</sub>               | DPL      | 00 <sub>H</sub>                   | .7       | .6           | .5    | .4    | .3    | .2           | .1    | .0    |
| 83 <sub>H</sub>               | DPH      | 00 <sub>H</sub>                   | .7       | .6           | .5    | .4    | .3    | .2           | .1    | .0    |
| 86 <sub>H</sub>               | WDTREL   | 00 <sub>H</sub>                   | WDT PSEL | .6           | .5    | .4    | .3    | .2           | .1    | .0    |
| 87 <sub>H</sub>               | PCON     | 00 <sub>H</sub>                   | SMOD     | PDS          | IDLS  | SD    | GF1   | GF0          | PDE   | IDLE  |
| 88 <sub>H</sub> <sup>2)</sup> | TCON     | 00 <sub>H</sub>                   | TF1      | TR1          | TF0   | TR0   | IE1   | IT1          | IE0   | IT0   |
| 88 <sub>H</sub> <sup>3)</sup> | PCON1    | 0XX0-XXXX <sub>B</sub>            | EWPD     | –            | –     | WS    | –     | –            | –     | –     |
| 89 <sub>H</sub>               | TMOD     | 00 <sub>H</sub>                   | GATE     | C/ $\bar{T}$ | M1    | M0    | GATE  | C/ $\bar{T}$ | M1    | M0    |
| 8A <sub>H</sub>               | TL0      | 00 <sub>H</sub>                   | .7       | .6           | .5    | .4    | .3    | .2           | .1    | .0    |
| 8B <sub>H</sub>               | TL1      | 00 <sub>H</sub>                   | .7       | .6           | .5    | .4    | .3    | .2           | .1    | .0    |
| 8C <sub>H</sub>               | TH0      | 00 <sub>H</sub>                   | .7       | .6           | .5    | .4    | .3    | .2           | .1    | .0    |
| 8D <sub>H</sub>               | TH1      | 00 <sub>H</sub>                   | .7       | .6           | .5    | .4    | .3    | .2           | .1    | .0    |
| 90 <sub>H</sub> <sup>2)</sup> | P1       | FF <sub>H</sub>                   | T2       | CLK-OUT      | T2EX  | .4    | .3    | INT5         | INT4  | .0    |
| 90 <sub>H</sub> <sup>3)</sup> | P1ANA    | FF <sub>H</sub>                   | EAN7     | EAN6         | EAN5  | EAN4  | EAN3  | EAN2         | EAN1  | EAN0  |
| 91 <sub>H</sub>               | XPAGE    | 00 <sub>H</sub>                   | .7       | .6           | .5    | .4    | .3    | .2           | .1    | .0    |
| 92 <sub>H</sub>               | DPSEL    | XXXX-X000 <sub>B</sub>            | –        | –            | –     | –     | –     | .2           | .1    | .0    |
| 98 <sub>H</sub> <sup>2)</sup> | SCON     | 00 <sub>H</sub>                   | SM0      | SM1          | SM2   | REN   | TB8   | RB8          | TI    | RI    |
| 99 <sub>H</sub>               | SBUF     | XX <sub>H</sub>                   | .7       | .6           | .5    | .4    | .3    | .2           | .1    | .0    |
| A0 <sub>H</sub> <sup>2)</sup> | P2       | FF <sub>H</sub>                   | .7       | .6           | .5    | .4    | .3    | .2           | .1    | .0    |
| A8 <sub>H</sub> <sup>2)</sup> | IEN0     | 00 <sub>H</sub>                   | EA       | WDT          | ET2   | ES    | ET1   | EX1          | ET0   | EX0   |
| A9 <sub>H</sub>               | IPO      | 00 <sub>H</sub>                   | OWDS     | WDTS         | .5    | .4    | .3    | .2           | .1    | .0    |
| AA <sub>H</sub>               | SRELL    | D9 <sub>H</sub>                   | .7       | .6           | .5    | .4    | .3    | .2           | .1    | .0    |

1) X means that the value is undefined and the location is reserved

2) Bit-addressable special function registers

3) SFR is located in the mapped SFR area. For accessing this SFR, bit RMAP in SFR SYSCON must be set.



**Table 5**  
**Contents of the SFRs, SFRs in numeric order of their addresses (cont'd)**

| Addr                          | Register             | Content after Reset <sup>1)</sup> | Bit 7           | Bit 6           | Bit 5   | Bit 4   | Bit 3             | Bit 2             | Bit 1   | Bit 0   |
|-------------------------------|----------------------|-----------------------------------|-----------------|-----------------|---------|---------|-------------------|-------------------|---------|---------|
| B0 <sub>H</sub> <sup>2)</sup> | P3                   | FF <sub>H</sub>                   | $\overline{RD}$ | $\overline{WR}$ | T1      | T0      | $\overline{INT1}$ | $\overline{INT0}$ | TxD     | RxD     |
| B1 <sub>H</sub>               | SYSCON <sup>4)</sup> | XX10-0X01 <sub>B</sub>            | –               | –               | EALE    | RMAP    | CMOD              | –                 | XMAP1   | XMAP0   |
| B1 <sub>H</sub>               | SYSCON <sup>4)</sup> | XX10-0001 <sub>B</sub>            | –               | –               | EALE    | RMAP    | CMOD              | CSWO              | XMAP1   | XMAP0   |
| B8 <sub>H</sub> <sup>2)</sup> | IEN1 <sup>3)</sup>   | 00 <sub>H</sub>                   | EXEN2           | SWDT            | EX6     | EX5     | EX4               | EX3               | 0       | EADC    |
| B8 <sub>H</sub> <sup>2)</sup> | IEN1 <sup>4)</sup>   | 00 <sub>H</sub>                   | EXEN2           | SWDT            | EX6     | EX5     | EX4               | EX3               | ECAN    | EADC    |
| B9 <sub>H</sub>               | IP1                  | XX00-0000 <sub>B</sub>            | –               | –               | .5      | .4      | .3                | .2                | .1      | .0      |
| BA <sub>H</sub>               | SRELH                | XXXX-XX11 <sub>B</sub>            | –               | –               | –       | –       | –                 | –                 | .1      | .0      |
| C0 <sub>H</sub> <sup>2)</sup> | IRCON                | 00 <sub>H</sub>                   | EXF2            | TF2             | IEX6    | IEX5    | IEX4              | IEX3              | SWI     | IADC    |
| C1 <sub>H</sub>               | CCEN                 | 00 <sub>H</sub>                   | COCA H3         | COCAL 3         | COCA H2 | COCAL 2 | COCA H1           | COCAL 1           | COCA H0 | COCAL 0 |
| C2 <sub>H</sub>               | CCL1                 | 00 <sub>H</sub>                   | .7              | .6              | .5      | .4      | .3                | .2                | .1      | .0      |
| C3 <sub>H</sub>               | CCH1                 | 00 <sub>H</sub>                   | .7              | .6              | .5      | .4      | .3                | .2                | .1      | .0      |
| C4 <sub>H</sub>               | CCL2                 | 00 <sub>H</sub>                   | .7              | .6              | .5      | .4      | .3                | .2                | .1      | .0      |
| C5 <sub>H</sub>               | CCH2                 | 00 <sub>H</sub>                   | .7              | .6              | .5      | .4      | .3                | .2                | .1      | .0      |
| C6 <sub>H</sub>               | CCL3                 | 00 <sub>H</sub>                   | .7              | .6              | .5      | .4      | .3                | .2                | .1      | .0      |
| C7 <sub>H</sub>               | CCH3                 | 00 <sub>H</sub>                   | .7              | .6              | .5      | .4      | .3                | .2                | .1      | .0      |
| C8 <sub>H</sub> <sup>2)</sup> | T2CON                | 00X0-0000 <sub>B</sub>            | T2PS            | I3FR            | –       | T2R1    | T2R0              | T2CM              | T2I1    | T2I0    |
| CA <sub>H</sub>               | CRCL                 | 00 <sub>H</sub>                   | .7              | .6              | .5      | .4      | .3                | .2                | .1      | .0      |
| CB <sub>H</sub>               | CRCH                 | 00 <sub>H</sub>                   | .7              | .6              | .5      | .4      | .3                | .2                | .1      | .0      |
| CC <sub>H</sub>               | TL2                  | 00 <sub>H</sub>                   | .7              | .6              | .5      | .4      | .3                | .2                | .1      | .0      |
| CD <sub>H</sub>               | TH2                  | 00 <sub>H</sub>                   | .7              | .6              | .5      | .4      | .3                | .2                | .1      | .0      |
| D0 <sub>H</sub> <sup>2)</sup> | PSW                  | 00 <sub>H</sub>                   | CY              | AC              | F0      | RS1     | RS0               | OV                | F1      | P       |
| D8 <sub>H</sub> <sup>2)</sup> | ADCON0               | 00X0-0000 <sub>B</sub>            | BD              | CLK             | –       | BSY     | ADM               | MX2               | MX1     | MX0     |
| D9 <sub>H</sub>               | ADDAT <sup>3)</sup>  | 00 <sub>H</sub>                   | .7              | .6              | .5      | .4      | .3                | .2                | .1      | .0      |

1) X means that the value is undefined and the location is reserved

2) Bit-addressable special function registers

3) C505 / C505A only

4) C505C / C505CA only

**Table 5**  
**Contents of the SFRs, SFRs in numeric order of their addresses (cont'd)**

| Addr                            | Register             | Content after Reset <sup>1)</sup>                                    | Bit 7 | Bit 6 | Bit 5 | Bit 4 | Bit 3 | Bit 2 | Bit 1 | Bit 0 |
|---------------------------------|----------------------|--|-------|-------|-------|-------|-------|-------|-------|-------|
| D9 <sub>H</sub>                 | ADDATH <sup>7)</sup> | 00 <sub>H</sub>  | .9    | .8    | .7    | .6    | .5    | .4    | .3    | .2    |
| DA <sub>H</sub>                 | ADST <sup>6)</sup>   | XXXX-XXXX <sub>B</sub>   | –     | –     | –     | –     | –     | –     | –     | –     |
| DA <sub>H</sub>                 | ADDATL <sup>7)</sup> | 00XX-XXXX <sub>B</sub>   | .1    | .0    | –     | –     | –     | –     | –     | –     |
| DC <sub>H</sub>                 | ADCON1               | 01XX-X000 <sub>B</sub>   | ADCL1 | ADCL0 | –     | –     | –     | MX2   | MX1   | MX0   |
| E0 <sub>H</sub> <sup>2)</sup>   | ACC                  | 00 <sub>H</sub>  | .7    | .6    | .5    | .4    | .3    | .2    | .1    | .0    |
| E8 <sub>H</sub> <sup>2)</sup>   | P4                   | XXXX-XX11 <sub>B</sub>   | –     | –     | –     | –     | –     | –     | RXDC  | TXDC  |
| F0 <sub>H</sub> <sup>2)</sup>   | B                    | 00 <sub>H</sub>  | .7    | .6    | .5    | .4    | .3    | .2    | .1    | .0    |
| FC <sub>H</sub> <sup>3)4)</sup> | VR0                  | C5 <sub>H</sub>  | 1     | 1     | 0     | 0     | 0     | 1     | β     | 1     |
| FD <sub>H</sub> <sup>3)4)</sup> | VR1                  | 05 <sub>H</sub>  | 0     | 0     | 0     | 0     | 0     | 1     | 0     | 1     |
| FE <sub>H</sub> <sup>3)4)</sup> | VR2                  | 01 <sub>H</sub> <sup>5) 6)</sup><br>11 <sub>H</sub> <sup>5) 7)</sup> | .7    | .6    | .5    | .4    | .3    | .2    | .1    | .0    |

1) X means that the value is undefined and the location is reserved

2) Bit-addressable special function registers

3) SFR is located in the mapped SFR area. For accessing this SFR, bit RMAP in SFR SYSCON must be set.

4) These are read-only registers

5) The content of this SFR varies with the actual of the step C505 (eg. 01<sub>H</sub> or 11<sub>H</sub> for the first step)

6) C505 / C505C only

7) C505A / C505CA only

**Table 6**  
**Contents of the CAN Registers in numeric order of their addresses**  
**(C505C/C505CA only)**

| Addr.<br>n=1-F <sub>H</sub><br>1) | Register | Content<br>after<br>Reset <sup>2)</sup> | Bit 7   | Bit 6 | Bit 5 | Bit 4   | Bit 3            | Bit 2 | Bit 1  | Bit 0 |
|-----------------------------------|----------|---|---------|-------|-------|---------|------------------|-------|--------|-------|
| F700 <sub>H</sub>                 | CR       | 01 <sub>H</sub>                         | TEST    | CCE   | 0     | 0       | EIE              | SIE   | IE     | INIT  |
| F701 <sub>H</sub>                 | SR       | XX <sub>H</sub>                         | BOFF    | EWRN  | –     | RXOK    | TXOK             | LEC2  | LEC1   | LEC0  |
| F702 <sub>H</sub>                 | IR       | XX <sub>H</sub>                         | INTID   |       |       |         |                  |       |        |       |
| F704 <sub>H</sub>                 | BTR0     | UU <sub>H</sub>                         | SJW     |       |       | BRP     |                  |       |        |       |
| F705 <sub>H</sub>                 | BTR1     | 0UUU.<br>UUUU <sub>B</sub>              | 0       | TSEG2 |       |         | TSEG1            |       |        |       |
| F706 <sub>H</sub>                 | GMS0     | UU <sub>H</sub>                         | ID28-21 |       |       |         |                  |       |        |       |
| F707 <sub>H</sub>                 | GMS1     | UUU1.<br>1111 <sub>B</sub>              | ID20-18 |       |       | 1       | 1                | 1     | 1      | 1     |
| F708 <sub>H</sub>                 | UGML0    | UU <sub>H</sub>                         | ID28-21 |       |       |         |                  |       |        |       |
| F709 <sub>H</sub>                 | UGML1    | UU <sub>H</sub>                         | ID20-13 |       |       |         |                  |       |        |       |
| F70A <sub>H</sub>                 | LGML0    | UU <sub>H</sub>                         | ID12-5  |       |       |         |                  |       |        |       |
| F70B <sub>H</sub>                 | LGML1    | UUUU.<br>U000 <sub>B</sub>              | ID4-0   |       |       |         |                  | 0     | 0      | 0     |
| F70C <sub>H</sub>                 | UMLM0    | UU <sub>H</sub>                         | ID28-21 |       |       |         |                  |       |        |       |
| F70D <sub>H</sub>                 | UMLM1    | UU <sub>H</sub>                         | ID20-18 |       |       | ID17-13 |                  |       |        |       |
| F70E <sub>H</sub>                 | LMLM0    | UU <sub>H</sub>                         | ID12-5  |       |       |         |                  |       |        |       |
| F70F <sub>H</sub>                 | LMLM1    | UUUU.<br>U000 <sub>B</sub>              | ID4-0   |       |       |         |                  | 0     | 0      | 0     |
| F7n0 <sub>H</sub>                 | MCR0     | UU <sub>H</sub>                         | MSGVAL  |       | TXIE  |         | RXIE             |       | INTPND |       |
| F7n1 <sub>H</sub>                 | MCR1     | UU <sub>H</sub>                         | RMPND   |       | TXRQ  |         | MSGLST<br>CPUUPD |       | NEWDAT |       |
| F7n2 <sub>H</sub>                 | UAR0     | UU <sub>H</sub>                         | ID28-21 |       |       |         |                  |       |        |       |
| F7n3 <sub>H</sub>                 | UAR1     | UU <sub>H</sub>                         | ID20-18 |       |       | ID17-13 |                  |       |        |       |
| F7n4 <sub>H</sub>                 | LAR0     | UU <sub>H</sub>                         | ID12-5  |       |       |         |                  |       |        |       |
| F7n5 <sub>H</sub>                 | LAR1     | UUUU.<br>U000 <sub>B</sub>              | ID4-0   |       |       |         |                  | 0     | 0      | 0     |
| F7n6 <sub>H</sub>                 | MCFG     | UUUU.<br>UU00 <sub>B</sub>              | DLC     |       |       |         | DIR              | XTD   | 0      | 0     |

<sup>1)</sup> The notation “n” (n= 1 to F) in the address definition defines the number of the related message object.

<sup>2)</sup> “X” means that the value is undefined and the location is reserved. “U” means that the value is unchanged by a reset operation. “U” values are undefined (as “X”) after a power-on reset operation

**Table 6**  
**Contents of the CAN Registers in numeric order of their addresses (cont'd)**  
**(C505C/C505CA only)**

| Addr.<br>n=1-F <sub>H</sub><br>1) | Register | Content<br>after<br>Reset <sup>2)</sup> | Bit 7 | Bit 6 | Bit 5 | Bit 4 | Bit 3 | Bit 2 | Bit 1 | Bit 0 |
|-----------------------------------|----------|---|-------|-------|-------|-------|-------|-------|-------|-------|
| F7n7 <sub>H</sub>                 | DB0n     | XX <sub>H</sub>                         | .7    | .6    | .5    | .4    | .3    | .2    | .1    | .0    |
| F7n8 <sub>H</sub>                 | DB1n     | XX <sub>H</sub>                         | .7    | .6    | .5    | .4    | .3    | .2    | .1    | .0    |
| F7n9 <sub>H</sub>                 | DB2n     | XX <sub>H</sub>                         | .7    | .6    | .5    | .4    | .3    | .2    | .1    | .0    |
| F7nA <sub>H</sub>                 | DB3n     | XX <sub>H</sub>                         | .7    | .6    | .5    | .4    | .3    | .2    | .1    | .0    |
| F7nB <sub>H</sub>                 | DB4n     | XX <sub>H</sub>                         | .7    | .6    | .5    | .4    | .3    | .2    | .1    | .0    |
| F7nC <sub>H</sub>                 | DB5n     | XX <sub>H</sub>                         | .7    | .6    | .5    | .4    | .3    | .2    | .1    | .0    |
| F7nD <sub>H</sub>                 | DB6n     | XX <sub>H</sub>                         | .7    | .6    | .5    | .4    | .3    | .2    | .1    | .0    |
| F7nE <sub>H</sub>                 | DB7n     | XX <sub>H</sub>                         | .7    | .6    | .5    | .4    | .3    | .2    | .1    | .0    |

<sup>1)</sup> The notation "n" (n= 1 to F) in the address definition defines the number of the related message object.

<sup>2)</sup> "X" means that the value is undefined and the location is reserved. "U" means that the value is unchanged by a reset operation. "U" values are undefined (as "X" after a power-on reset operation)

## I/O Ports

The C505 has four 8-bit I/O ports and one 2-bit I/O port. Port 0 is an open-drain bidirectional I/O port, while ports 1 to 4 are quasi-bidirectional I/O ports with internal pullup resistors. That means, when configured as inputs, ports 1 to 4 will be pulled high and will source current when externally pulled low. Port 0 will float when configured as input.

The output drivers of port 0 and 2 and the input buffers of port 0 are also used for accessing external memory. In this application, port 0 outputs the low byte of the external memory address, time multiplexed with the byte being written or read. Port 2 outputs the high byte of the external memory address when the address is 16 bits wide. Otherwise, the port 2 pins continue emitting the P2 SFR contents. In this function, port 0 is not an open-drain port, but uses a strong internal pullup FET.

Port 4 is 2-bit I/O port with CAN controller specific alternate functions. The eight analog input lines are realized as mixed digital/analog inputs. The 8 analog inputs, AN0-AN7, are located at the port 1 pins P1.0 to P1.7. After reset, all analog inputs are disabled and the related pins of port 1 are configured as digital inputs. The analog function of a specific port 1 pin is enabled by bits in the SFR P1ANA. Writing a 0 to a bit position of P1ANA assigns the corresponding pin to operate as analog input.

**Note:** *P1ANA is a mapped SFR and can be only accessed if bit RMAP in SFR SYSCON is set.*

## Timer / Counter 0 and 1

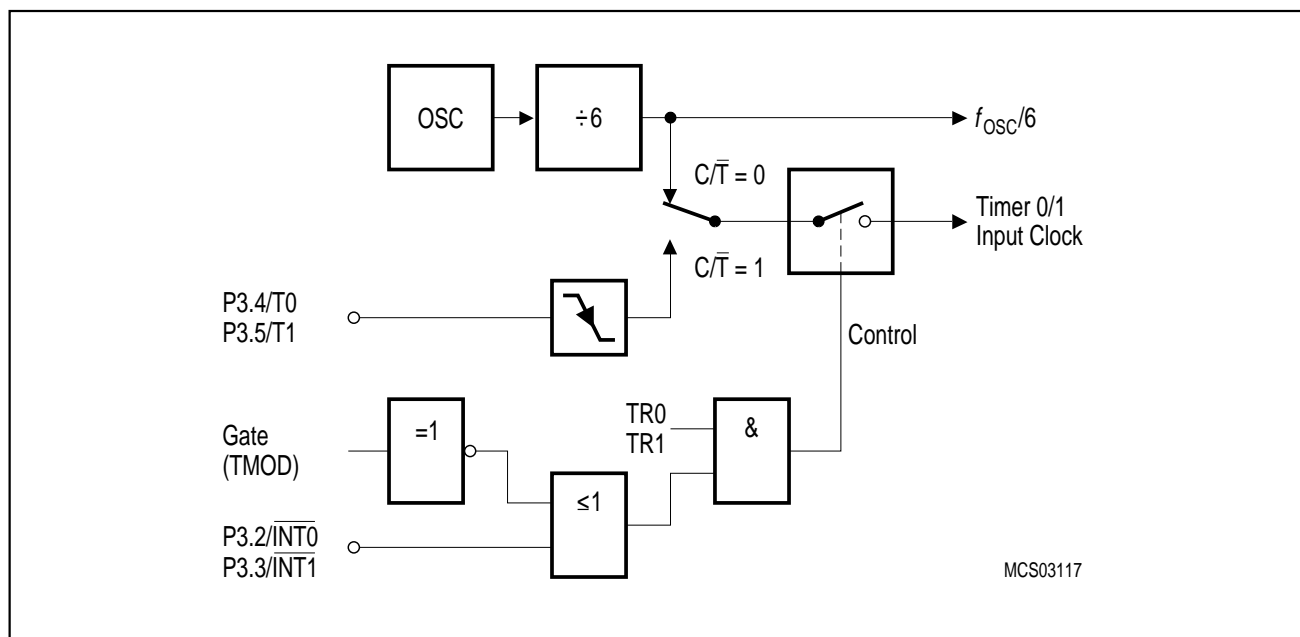
Timer/Counter 0 and 1 can be used in four operating modes as listed in **table 7** :

**Table 7**  
**Timer/Counter 0 and 1 Operating Modes**

| Mode | Description  | TMOD |    | Input Clock           |                        |
|------|--|------|----|-----------------------|------------------------|
|      |  | M1   | M0 | internal              | external (max)         |
| 0    | 8-bit timer/counter with a divide-by-32 prescaler                                    | 0    | 0  | $f_{osc}/6 \times 32$ | $f_{osc}/12 \times 32$ |
| 1    | 16-bit timer/counter   | 1    | 1  | $f_{osc}/6$           | $f_{osc}/12$           |
| 2    | 8-bit timer/counter with 8-bit autoreload  | 1    | 0  |                       |                        |
| 3    | Timer/counter 0 used as one 8-bit timer/counter and one 8-bit timer<br>Timer 1 stops | 1    | 1  |                       |                        |

In the “timer” function ( $C/\bar{T} = '0'$ ) the register is incremented every machine cycle. Therefore the count rate is  $f_{osc}/6$ .

In the “counter” function the register is incremented in response to a 1-to-0 transition at its corresponding external input pin (P3.4/T0, P3.5/T1). Since it takes two machine cycles to detect a falling edge the max. count rate is  $f_{osc}/12$ . External inputs  $\overline{INT0}$  and  $\overline{INT1}$  (P3.2, P3.3) can be programmed to function as a gate to facilitate pulse width measurements. **Figure 10** illustrates the input clock logic.



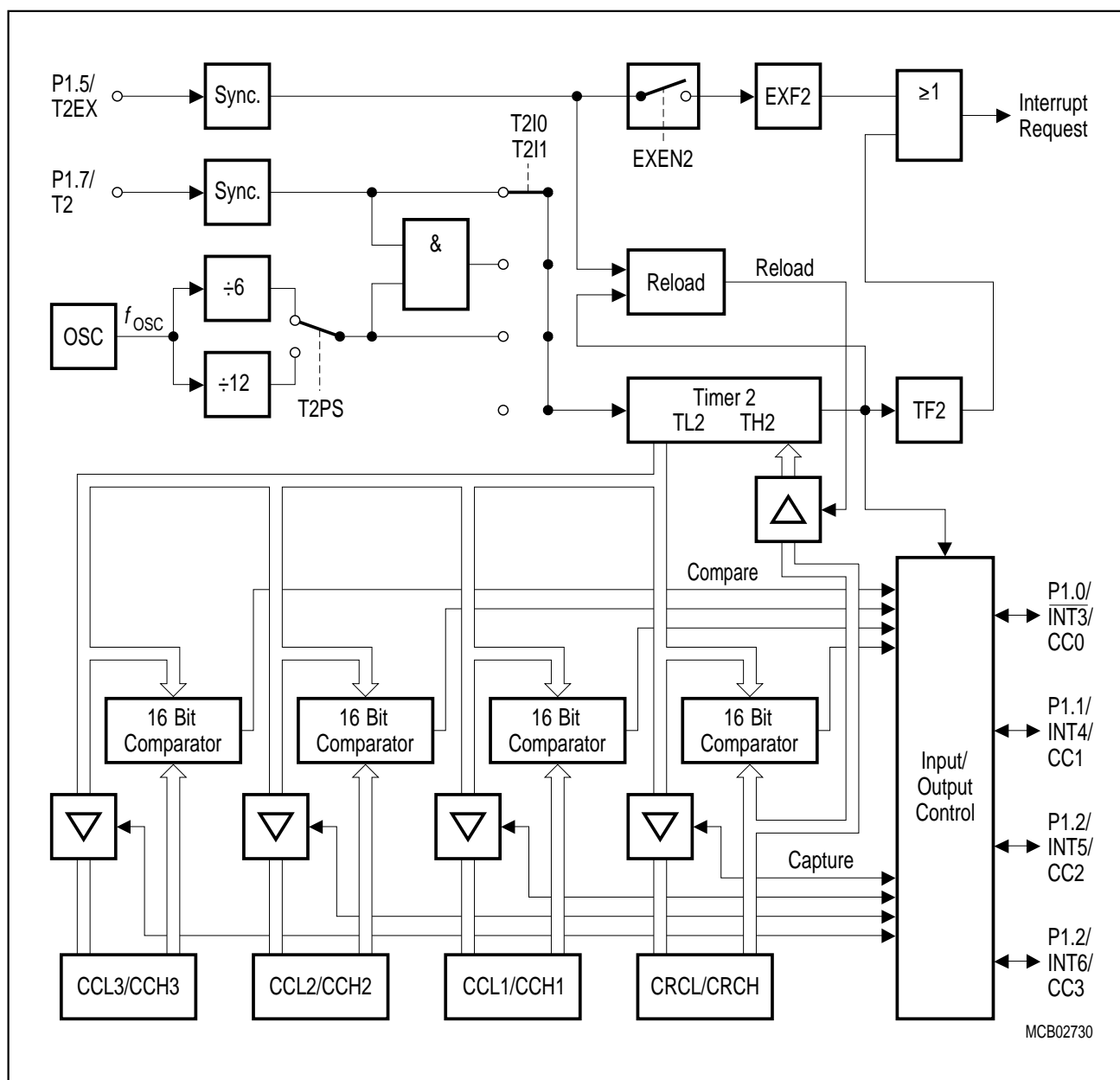
**Figure 10**  
**Timer/Counter 0 and 1 Input Clock Logic**

## Timer/Counter 2 with Compare/Capture/Reload

The timer 2 of the C505 provides additional compare/capture/reload features, which allow the selection of the following operating modes:

- Compare : up to 4 PWM signals with 16-bit/300 ns resolution (@ 20 MHz clock)
- Capture : up to 4 high speed capture inputs with 300 ns resolution
- Reload : modulation of timer 2 cycle time

The block diagram in **figure 11** shows the general configuration of timer 2 with the additional compare/capture/reload registers. The I/O pins which can be used for timer 2 control are located as multifunctional port functions at port 1.



**Figure 11**  
**Timer 2 Block Diagram**

## Timer 2 Operating Modes

The timer 2, which is a 16-bit-wide register, can operate as timer, event counter, or gated timer. A roll-over of the count value in TL2/TH2 from all 1's to all 0's sets the timer overflow flag TF2 in SFR IRCON, which can generate an interrupt. The bits in register T2CON are used to control the timer 2 operation.

Timer Mode : In timer function, the count rate is derived from the oscillator frequency. A prescaler offers the possibility of selecting a count rate of 1/6 or 1/12 of the oscillator frequency.

Gated Timer Mode : In gated timer function, the external input pin T2 (P1.7) functions as a gate to the input of timer 2. If T2 is high, the internal clock input is gated to the timer. T2 = 0 stops the counting procedure. This facilitates pulse width measurements. The external gate signal is sampled once every machine cycle.

Event Counter Mode : In the event counter function, the timer 2 is incremented in response to a 1-to-0 transition at its corresponding external input pin T2 (P1.7). In this function, the external input is sampled every machine cycle. Since it takes two machine cycles (12 oscillator periods) to recognize a 1-to-0 transition, the maximum count rate is 1/6 of the oscillator frequency. There are no restrictions on the duty cycle of the external input signal, but to ensure that a given level is sampled at least once before it changes, it must be held for at least one full machine cycle.

Reload of Timer 2 : Two reload modes are selectable:

In mode 0, when timer 2 rolls over from all 1's to all 0's, it not only sets TF2 but also causes the timer 2 registers to be loaded with the 16-bit value in the CRC register, which is preset by software.

In mode 1, a 16-bit reload from the CRC register is caused by a negative transition at the corresponding input pin P1.5/T2EX. This transition will also set flag EXF2 if bit EXEN2 in SFR IEN1 has been set.

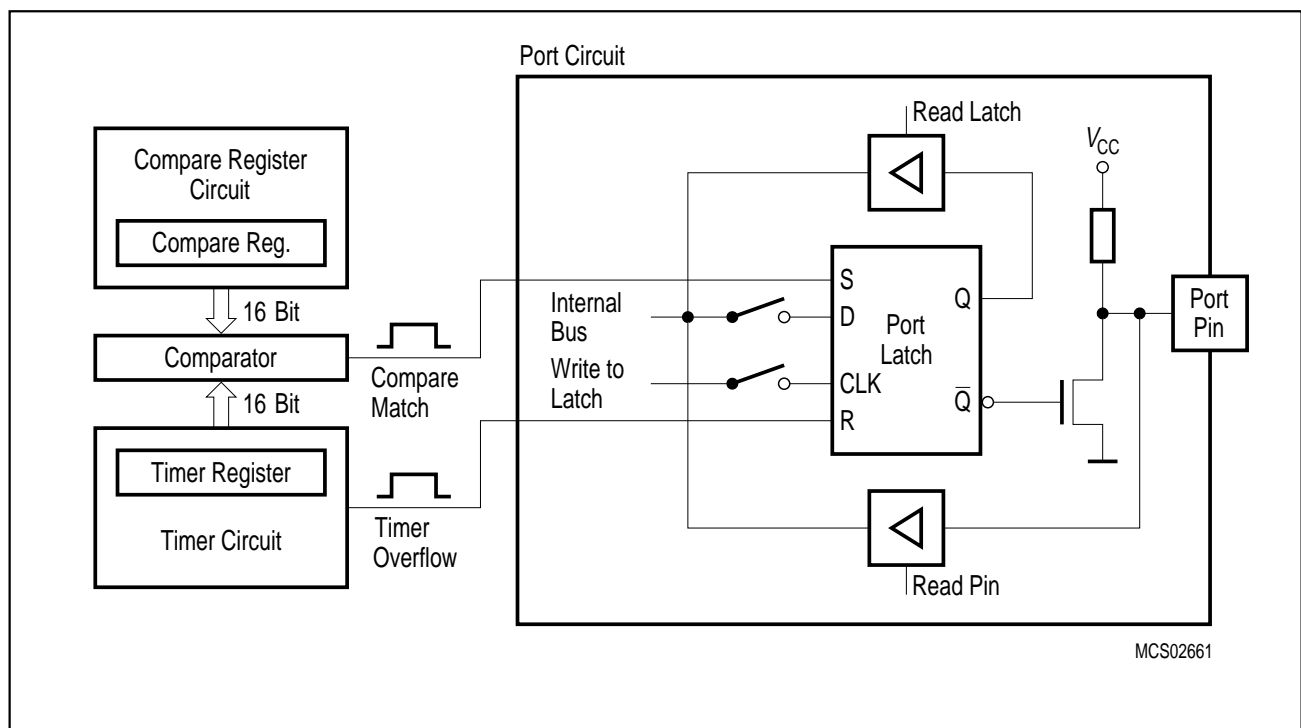


## Timer 2 Compare Modes

The compare function of a timer/register combination operates as follows : the 16-bit value stored in a compare or compare/capture register is compared with the contents of the timer register; if the count value in the timer register matches the stored value, an appropriate output signal is generated at a corresponding port pin and an interrupt can be generated.

### Compare Mode 0

In compare mode 0, upon matching the timer and compare register contents, the output signal changes from low to high. It goes back to a low level on timer overflow. As long as compare mode 0 is enabled, the appropriate output pin is controlled by the timer circuit only and writing to the port will have no effect. **Figure 12** shows a functional diagram of a port circuit when used in compare mode 0. The port latch is directly controlled by the timer overflow and compare match signals. The input line from the internal bus and the write-to-latch line of the port latch are disconnected when compare mode 0 is enabled.

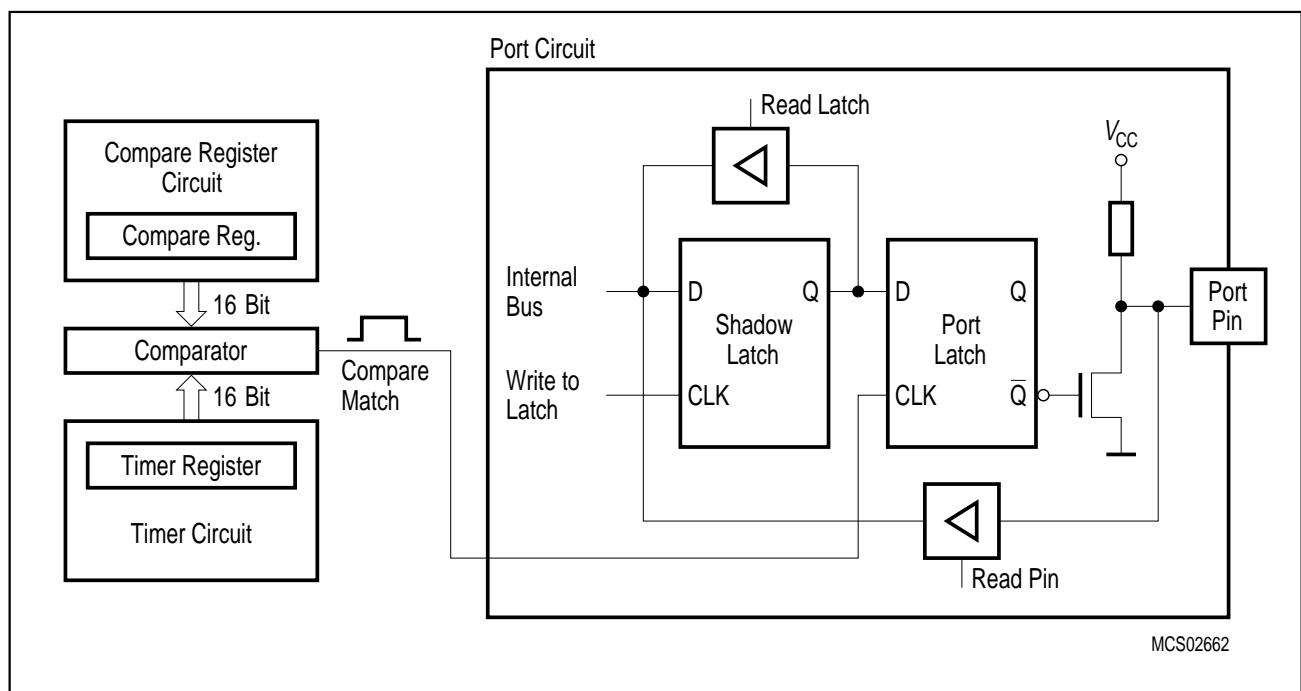


**Figure 12**  
**Port Latch in Compare Mode 0**

## Compare Mode 1

If compare mode 1 is enabled and the software writes to the appropriate output latch at the port, the new value will not appear at the output pin until the next compare match occurs. Thus, it can be chosen whether the output signal has to make a new transition (1-to-0 or 0-to-1, depending on the actual pin-level) or should keep its old value at the time when the timer value matches the stored compare value.

In compare mode 1 (see **figure 13**) the port circuit consists of two separate latches. One latch (which acts as a "shadow latch") can be written under software control, but its value will only be transferred to the port latch (and thus to the port pin) when a compare match occurs.



**Figure 13**  
**Compare Function in Compare Mode 1**

## Timer 2 Capture Modes

Each of the compare/capture registers CC1 to CC3 and the CRC register can be used to latch the current 16-bit value of the timer 2 registers TL2 and TH2. Two different modes are provided for this function.

In mode 0, the external event causing a capture is :

- for CC registers 1 to 3: a positive transition at pins CC1 to CC3 of port 1
- for the CRC register: a positive or negative transition at the corresponding pin, depending on the status of the bit I3FR in SFR T2CON.

In mode 1 a capture occurs in response to a write instruction to the low order byte of a capture register. The write-to-register signal (e.g. write-to-CRCL) is used to initiate a capture. The timer 2 contents will be latched into the appropriate capture register in the cycle following the write instruction. In this mode no interrupt request will be generated.

## Serial Interface (USART)

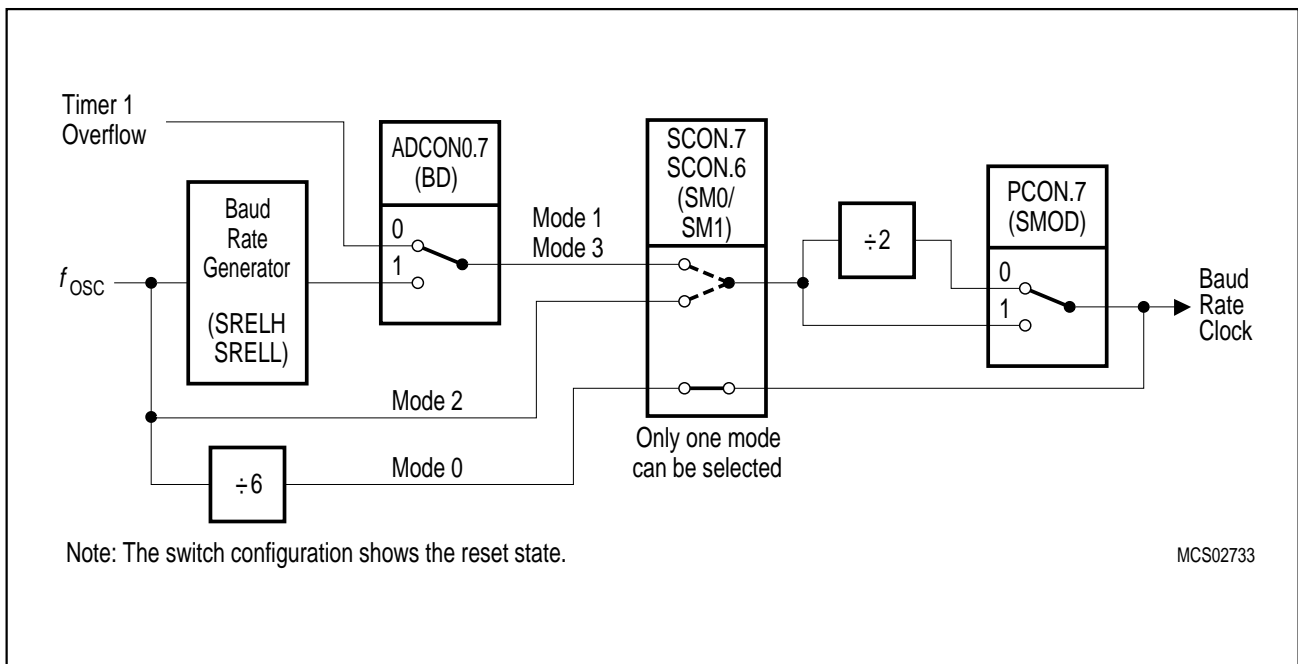
The serial port is full duplex and can operate in four modes (one synchronous mode, three asynchronous modes) as illustrated in **table 8**.

**Table 8**  
**USART Operating Modes**

| Mode | SCON |     | Description   |
|------|------|-----|---|
|      | SM0  | SM1 |   |
| 0    | 0    | 0   | Shift register mode, fixed baud rate<br>Serial data enters and exits through RxD; TxD outputs the shift clock; 8-bit are transmitted/received (LSB first) |
| 1    | 0    | 1   | 8-bit UART, variable baud rate<br>10 bits are transmitted (through TxD) or received (at RxD)  |
| 2    | 1    | 0   | 9-bit UART, fixed baud rate<br>11 bits are transmitted (through TxD) or received (at RxD)   |
| 3    | 1    | 1   | 9-bit UART, variable baud rate<br>Like mode 2   |

For clarification some terms regarding the difference between "baud rate clock" and "baud rate" should be mentioned. In the asynchronous modes the serial interfaces require a clock rate which is 16 times the baud rate for internal synchronization. Therefore, the baud rate generators/timers have to provide a "baud rate clock" (output signal in **figure 14** to the serial interface which - there divided by 16 - results in the actual "baud rate". Further, the abbreviation  $f_{OSC}$  refers to the oscillator frequency (crystal or external clock operation).

The variable baud rates for modes 1 and 3 of the serial interface can be derived either from timer 1 or from a dedicated baud rate generator (see **figure 14**).



**Figure 14**  
**Block Diagram of Baud Rate Generation for the Serial Interface**

**Table 9** below lists the values/formulas for the baud rate calculation of the serial interface with its dependencies of the control bits BD and SMOD.

**Table 9**  
**Serial Interface - Baud Rate Dependencies**

| Serial Interface Operating Modes           | Active Control Bits |      | Baud Rate Calculation   |
|--|---------------------|------|---|
|  | BD                  | SMOD |   |
| Mode 0 (Shift Register)                    | —                   | —    | $f_{osc} / 6$   |
| Mode 1 (8-bit UART)<br>Mode 3 (9-bit UART) | 0                   | X    | Controlled by timer 1 overflow :<br>$(2^{SMOD} \times \text{timer 1 overflow rate}) / 32$                               |
|  | 1                   | X    | Controlled by baud rate generator<br>$(2^{SMOD} \times f_{osc}) / (32 \times \text{baud rate generator overflow rate})$ |
| Mode 2 (9-bit UART)                        | —                   | 0    | $f_{osc} / 32$  |
|  |                     | 1    | $f_{osc} / 16$  |



The **TX/RX Shift Register** holds the destuffed bit stream from the bus line to allow the parallel access to the whole data or remote frame for the acceptance match test and the parallel transfer of the frame to and from the Intelligent Memory.

The **Bit Stream Processor (BSP)** is a sequencer controlling the sequential data stream between the TX/RX Shift Register, the CRC Register, and the bus line. The BSP also controls the EML and the parallel data stream between the TX/RX Shift Register and the Intelligent Memory such that the processes of reception, arbitration, transmission, and error signalling are performed according to the CAN protocol. Note that the automatic retransmission of messages which have been corrupted by noise or other external error conditions on the bus line is handled by the BSP.

The **Cyclic Redundancy Check Register (CRC)** generates the Cyclic Redundancy Check code to be transmitted after the data bytes and checks the CRC code of incoming messages. This is done by dividing the data stream by the code generator polynomial.

The **Error Management Logic (EML)** is responsible for the fault confinement of the CAN device. Its counters, the Receive Error Counter and the Transmit Error Counter, are incremented and decremented by commands from the Bit Stream Processor. According to the values of the error counters, the CAN controller is set into the states error *active*, error *passive* and busoff.

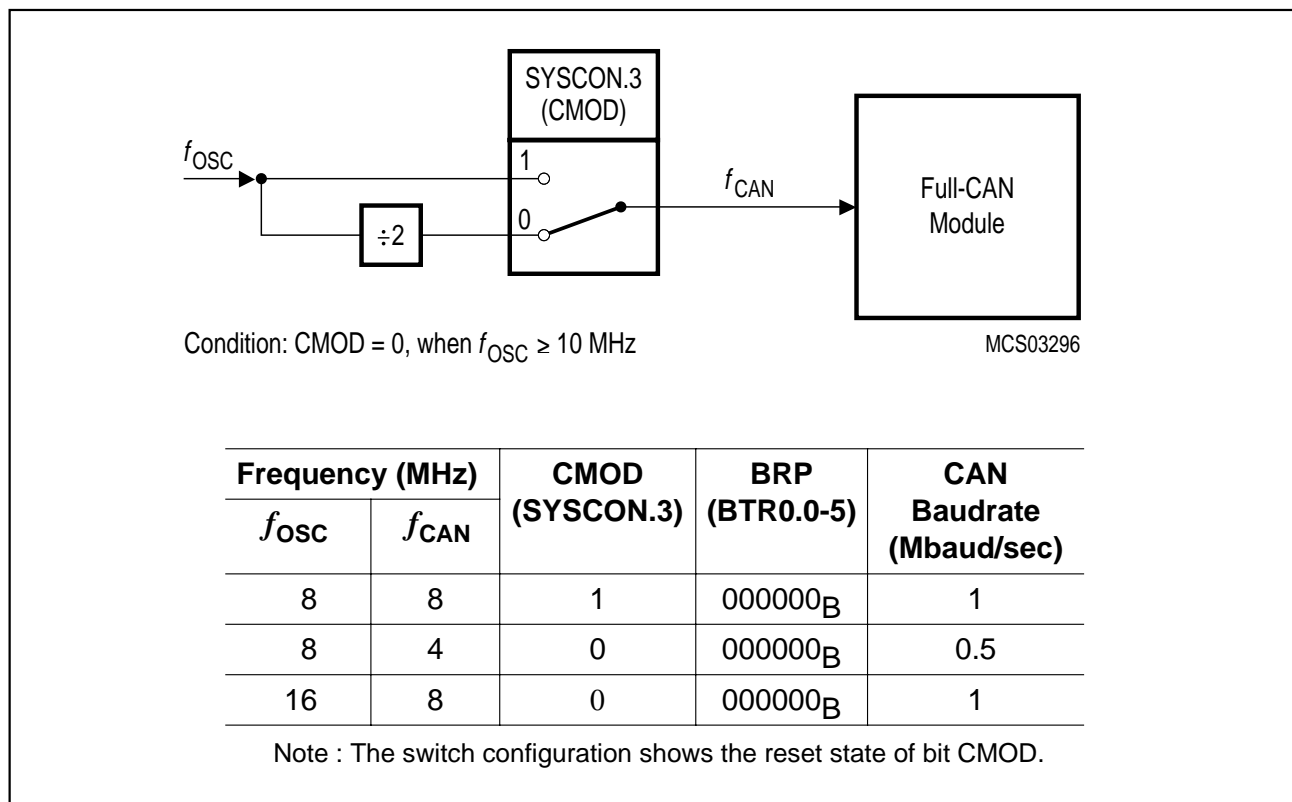
The **Bit Timing Logic (BTL)** monitors the busline input RXDC and handles the busline related bit timing according to the CAN protocol. The BTL synchronizes on a *recessive* to *dominant* busline transition at *Start of Frame* (hard synchronization) and on any further *recessive* to *dominant* busline transition, if the CAN controller itself does not transmit a *dominant* bit (resynchronization). The BTL also provides programmable time segments to compensate for the propagation delay time and for phase shifts and to define the position of the Sample Point in the bit time. The programming of the BTL depends on the baudrate and on external physical delay times.

The **Intelligent Memory** (CAM/RAM array) provides storage for up to 15 message objects of maximum 8 data bytes length. Each of these objects has a unique identifier and its own set of control and status bits. After the initial configuration, the Intelligent Memory can handle the reception and transmission of data without further microcontroller actions.

## CAN Controller Software Initialization

The very first step of the initialization is the CAN controller input clock selection. A divide-by-2 prescaler is enabled by default after reset (**figure 16**). Setting bit CMOD (SYSCON.3) disables the prescaler. The purpose of the prescaler selection is:

- to ensure that the CAN controller is operable when  $f_{OSC}$  is over 10 MHz (bit CMOD =0)
- to achieve the maximum CAN baudrate of 1 Mbaud when  $f_{OSC}$  is 8 MHz (bit CMOD=1)



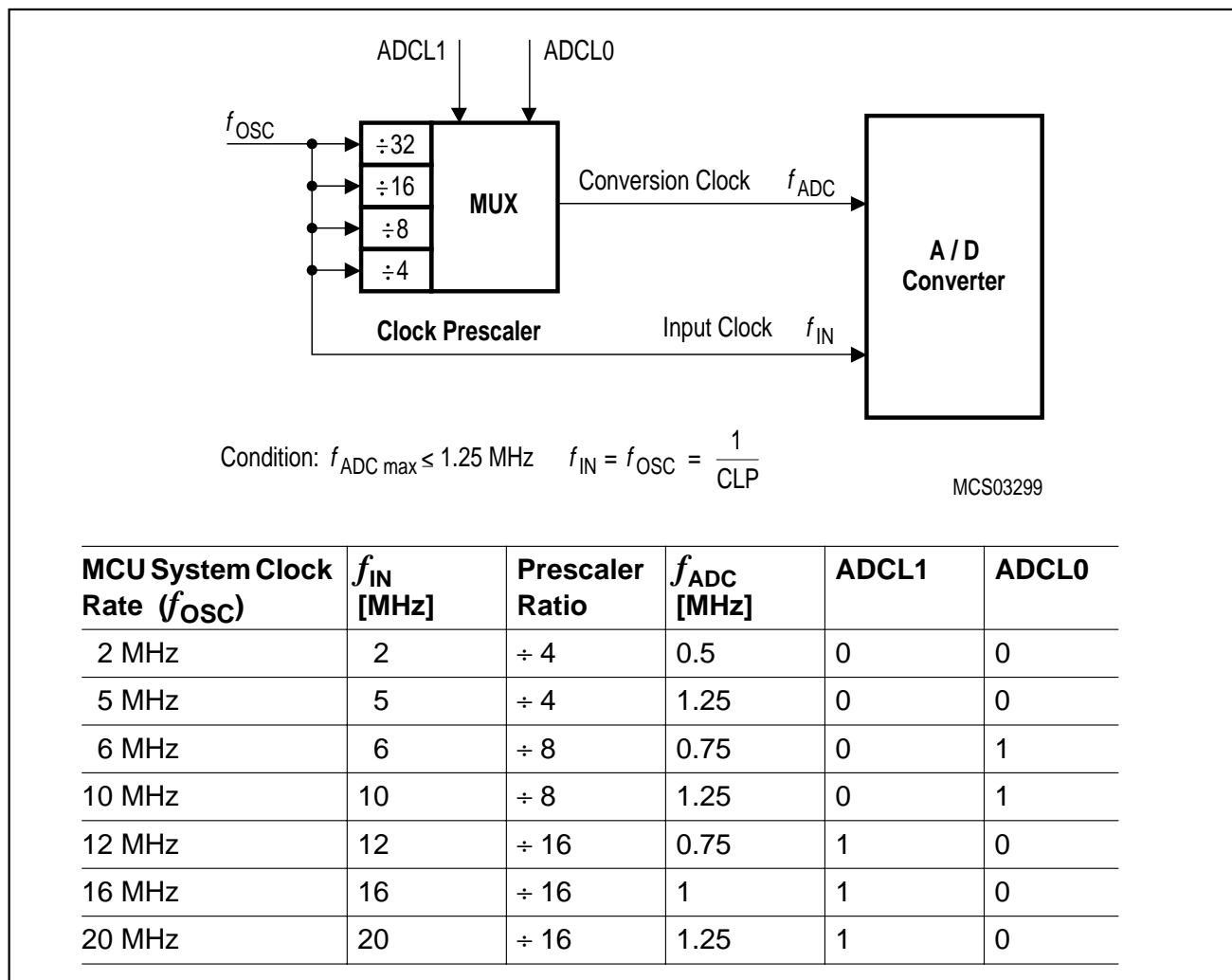
**Figure 16**  
**CAN Controller Input Clock Selection**

## 8-Bit A/D Converter (C505 and C505C only)

The C505/C505C includes a high performance / high speed 8-bit A/D converter (ADC) with 8 analog input channels. It operates with a successive approximation technique and provides the following features:

- 8 multiplexed input channels (port 1), which can also be used as digital outputs/inputs
- 8-bit resolution
- Internal start-of-conversion trigger
- Interrupt request generation after each conversion
- Single or continuous conversion mode

The 8-bit ADC uses two clock signals for operation : the conversion clock  $f_{ADC}$  ( $=1/t_{ADC}$ ) and the input clock  $f_{IN}$  ( $1/t_{IN}$ ).  $f_{ADC}$  is derived from the C505 system clock  $f_{OSC}$  which is applied at the XTAL pins via the ADC clock prescaler as shown in **figure 17**. The input clock is equal to  $f_{OSC}$ . The conversion clock  $f_{ADC}$  is limited to a maximum frequency of 1.25 MHz. Therefore, the ADC clock prescaler must be programmed to a value which assures that the conversion clock does not exceed 1.25 MHz. The prescaler ratio is selected by the bits ADCL1 and ADCL0 of SFR ADCON1.



**Figure 17**  
**8-Bit A/D Converter Clock Selection**



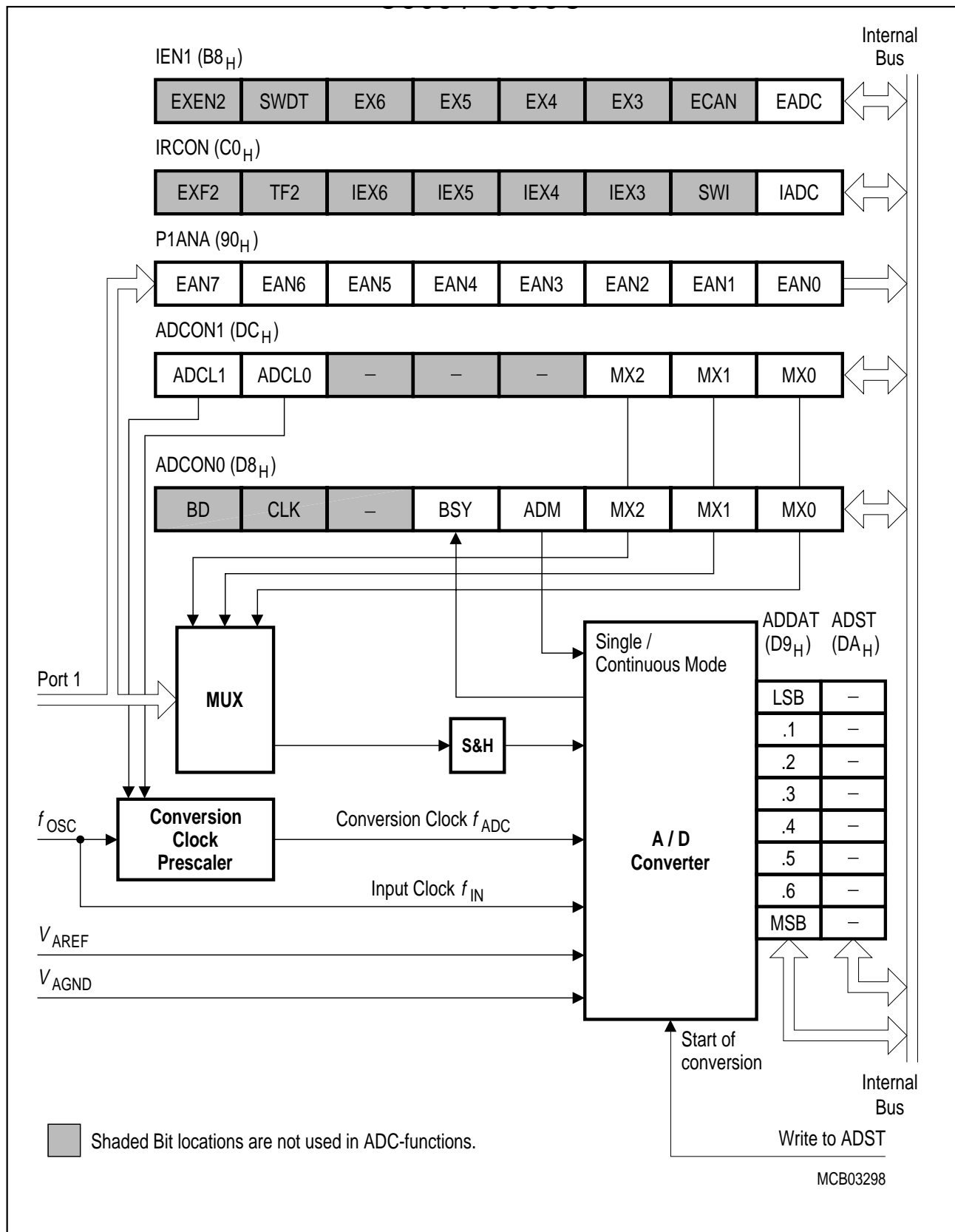


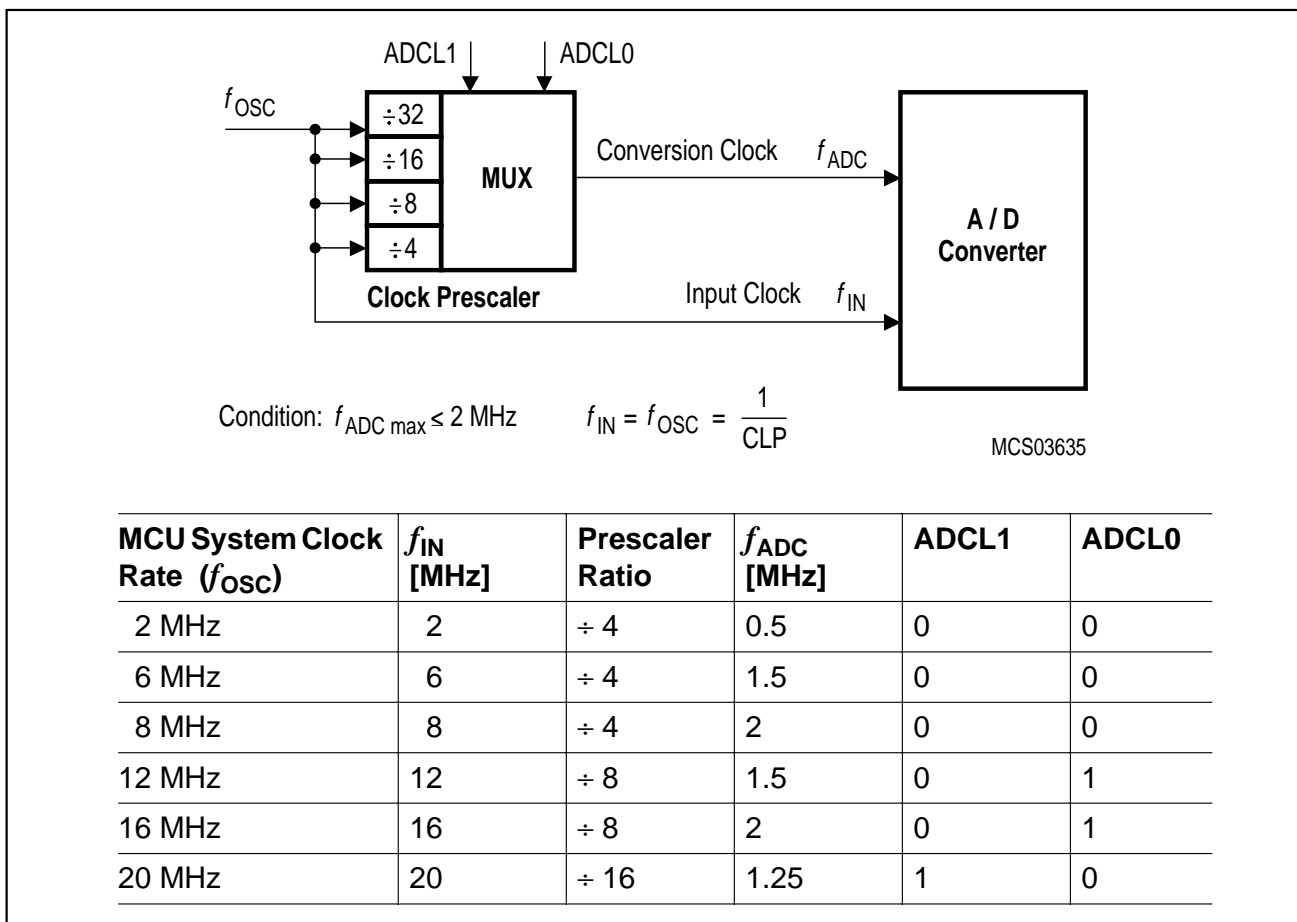
Figure 18  
Block Diagram of the 8-Bit A/D Converter

## 10-Bit A/D Converter (C505A and C505CA only)

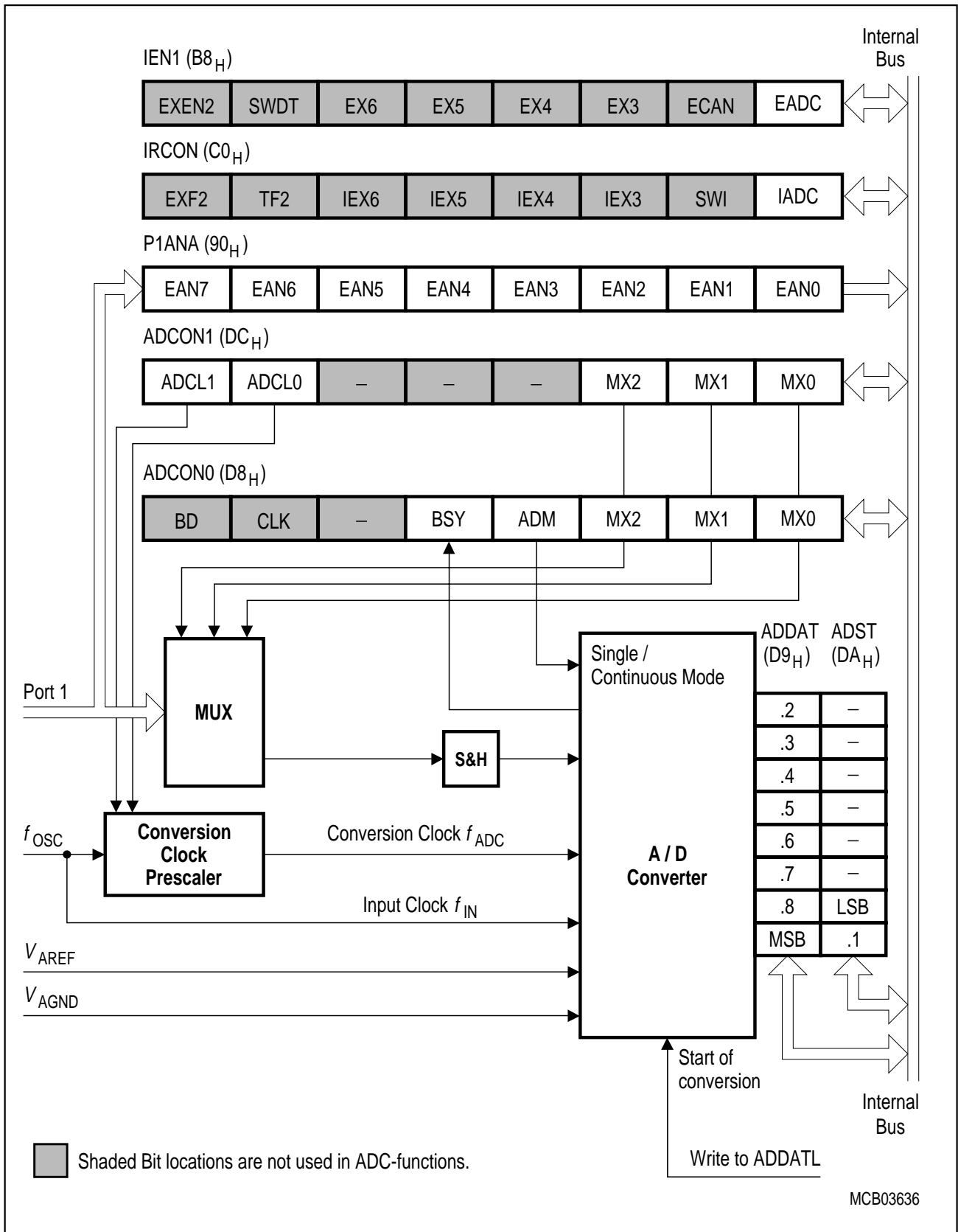
The C505 includes a high performance / high speed 10-bit A/D-Converter (ADC) with 8 analog input channels. It operates with a successive approximation technique and uses self calibration mechanisms for reduction and compensation of offset and linearity errors. The A/D converter provides the following features:

- 8 multiplexed input channels (port 1), which can also be used as digital inputs/outputs
- 10-bit resolution
- Single or continuous conversion mode
- Internal start-of-conversion trigger capability
- Interrupt request generation after each conversion
- Using successive approximation conversion technique via a capacitor array
- Built-in hidden calibration of offset and linearity errors

The 10-bit ADC uses two clock signals for operation : the conversion clock  $f_{ADC}$  ( $=1/t_{ADC}$ ) and the input clock  $f_{IN}$  ( $=1/t_{IN}$ ).  $f_{ADC}$  is derived from the C505 system clock  $f_{OSC}$  which is applied at the XTAL pins. The input clock  $f_{IN}$  is equal to  $f_{OSC}$ . The conversion  $f_{ADC}$  clock is limited to a maximum frequency of 2 MHz. Therefore, the ADC clock prescaler must be programmed to a value which assures that the conversion clock does not exceed 2 MHz. The prescaler ratio is selected by the bits ADCL1 and ADCL0 of SFR ADCON1.



**Figure 19**  
**10-Bit A/D Converter Clock Selection**



**Figure 20**  
**Block Diagram of the 10-Bit A/D Converter**

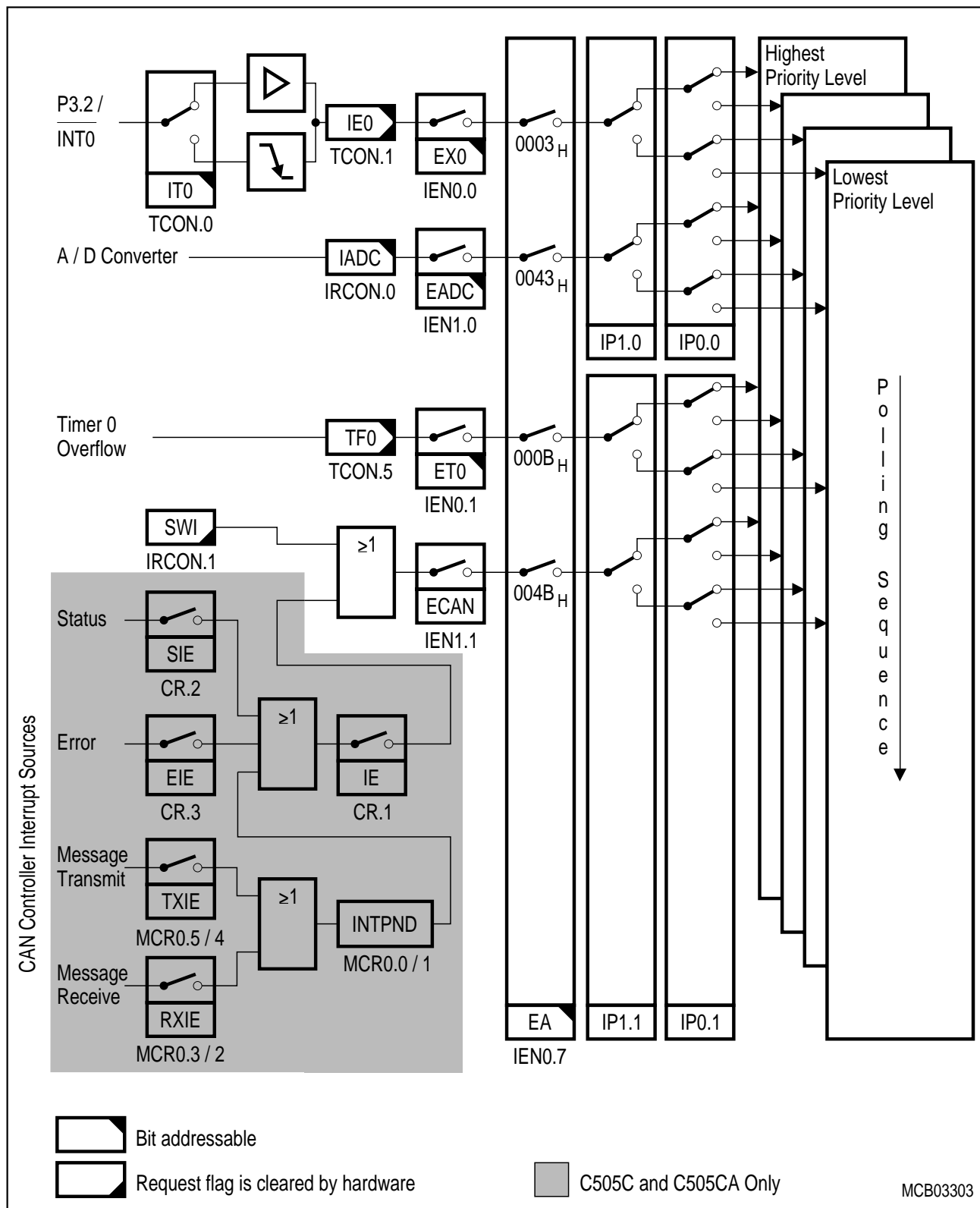
### Interrupt System

The C505 provides 12 interrupt vectors with four priority levels. Five interrupt requests can be generated by the on-chip peripherals (timer 0, timer 1, timer 2, serial interface, A/D converter). One interrupt can be generated by the CAN controller (C505C and C505CA only) or by a software setting and in this case the interrupt vector is the same. Six interrupts may be triggered externally (P3.2/ $\overline{\text{INT0}}$ , P3.3/ $\overline{\text{INT1}}$ , P1.0/ $\overline{\text{AN0}}$ / $\overline{\text{INT3}}$ /CC0, P1.1/ $\overline{\text{AN1}}$ /INT4/CC1, P1.2/ $\overline{\text{AN2}}$ /INT5/CC2, P1.3/ $\overline{\text{AN3}}$ /INT6/CC3). Additionally, the P1.5/ $\overline{\text{AN5}}$ /T2EX can trigger an interrupt. The wake-up from power-down mode interrupt has a special functionality which allows to exit from the software power-down mode by a short low pulse at either pin P3.2/ $\overline{\text{INT0}}$  or the pin P4.1/RXDC.

Figure 21 to 23 give a general overview of the interrupt sources and illustrate the request and the control flags which are described in the next sections. Table 10 lists all interrupt sources with their request flags and interrupt vector addresses.

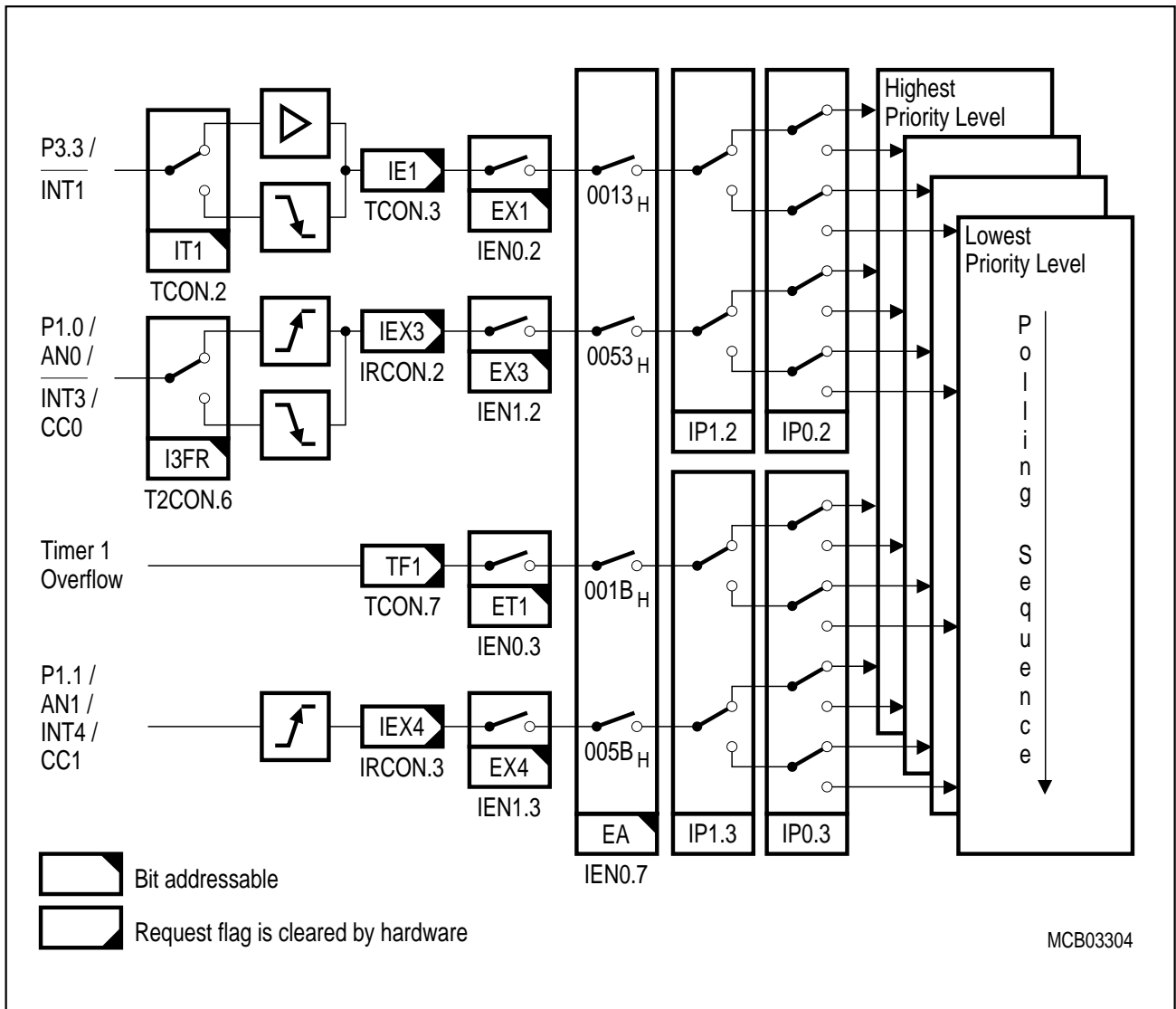
**Table 10**  
**Interrupt Source and Vectors**

| Interrupt Source                    | Interrupt Vector Address | Interrupt Request Flags     |
|-------------------------------------|--------------------------|-----------------------------|
| External Interrupt 0                | 0003 <sub>H</sub>        | IE0                         |
| Timer 0 Overflow                    | 000B <sub>H</sub>        | TF0                         |
| External Interrupt 1                | 0013 <sub>H</sub>        | IE1                         |
| Timer 1 Overflow                    | 001B <sub>H</sub>        | TF1                         |
| Serial Channel                      | 0023 <sub>H</sub>        | RI / TI                     |
| Timer 2 Overflow / Ext. Reload      | 002B <sub>H</sub>        | TF2 / EXF2                  |
| A/D Converter                       | 0043 <sub>H</sub>        | IADC                        |
| CAN Controller / Software Interrupt | 004B <sub>H</sub>        | – / $\overline{\text{SWI}}$ |
| External interrupt 3                | 0053 <sub>H</sub>        | IEX3                        |
| External Interrupt 4                | 005B <sub>H</sub>        | IEX4                        |
| External Interrupt 5                | 0063 <sub>H</sub>        | IEX5                        |
| External interrupt 6                | 006B <sub>H</sub>        | IEX6                        |
| Wake-up from power-down mode        | 007B <sub>H</sub>        | –                           |



**Figure 21**  
**Interrupt Structure, Overview Part 1**

**Note:** Each of the 15 CAN controller message objects (C505C and C505CA only), shown in the shaded area of **Figure 21** provides the bits/flags.



**Figure 22**  
**Interrupt Structure, Overview Part 2**

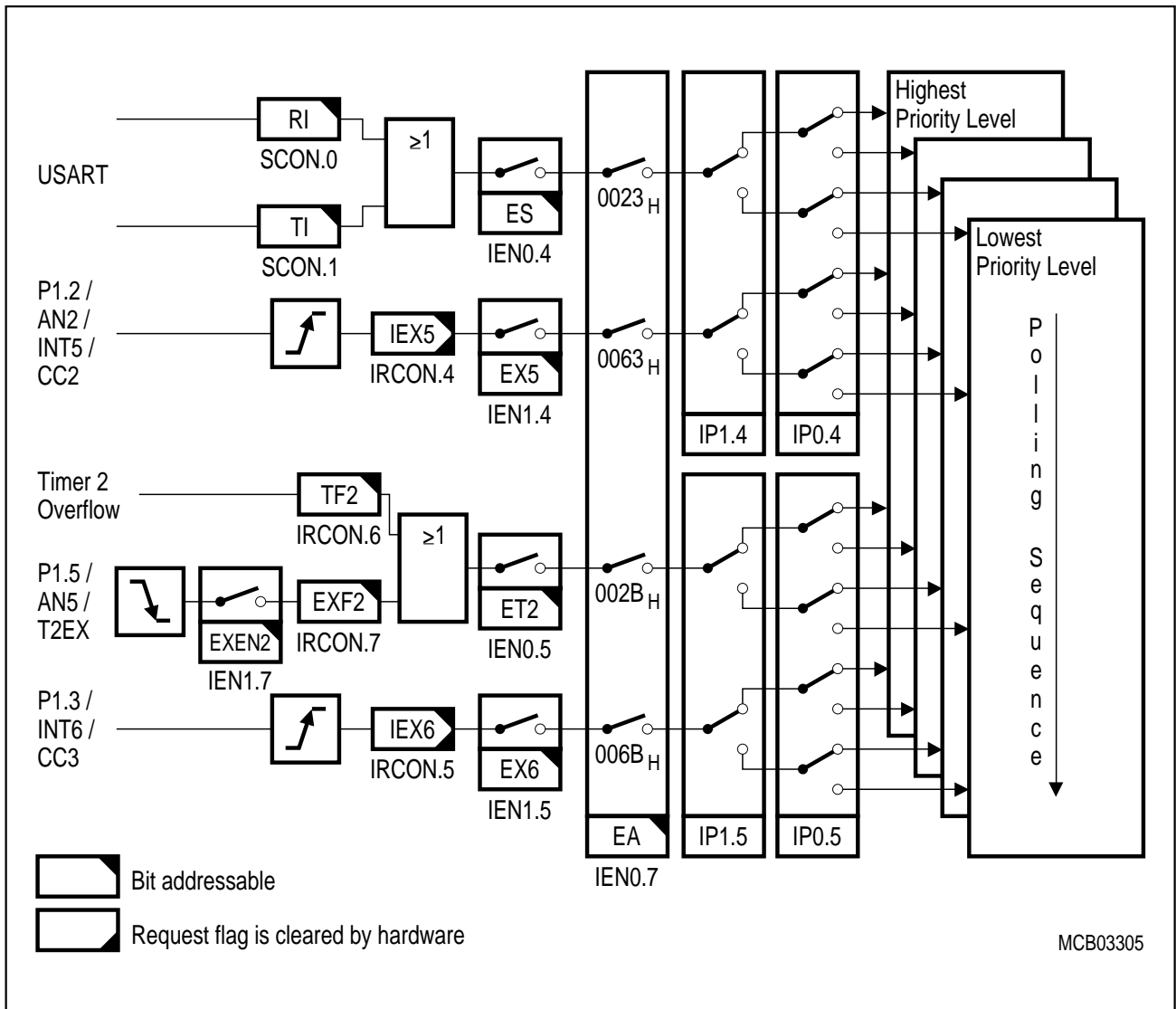


Figure 23  
Interrupt Structure, Overview Part 3





## Oscillator Watchdog

The oscillator watchdog unit serves for three functions:

- **Monitoring of the on-chip oscillator's function**

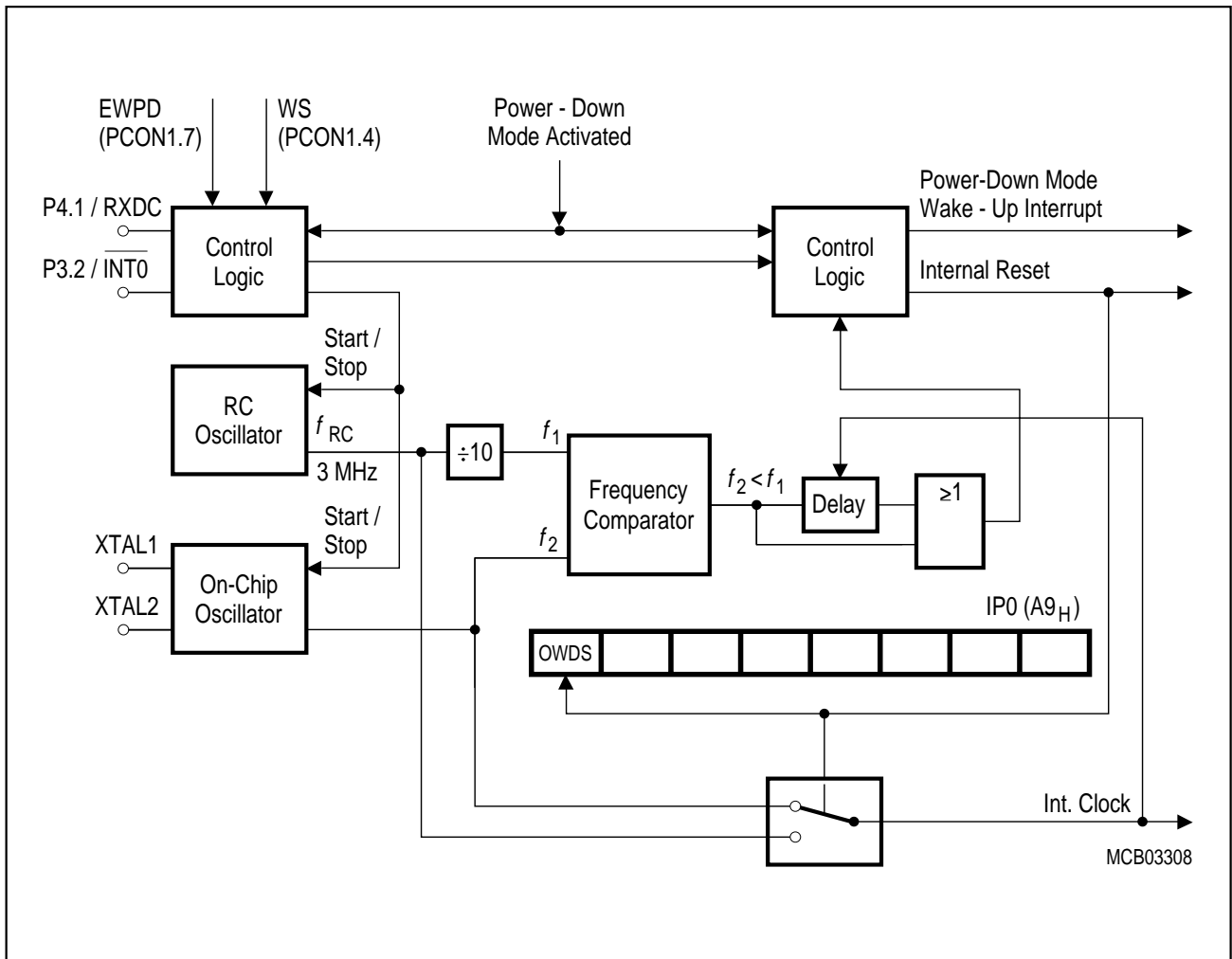
The watchdog supervises the on-chip oscillator's frequency; if it is lower than the frequency of the auxiliary RC oscillator in the watchdog unit, the internal clock is supplied by the RC oscillator and the device is brought into reset; if the failure condition disappears (i.e. the on-chip oscillator has a higher frequency than the RC oscillator), the part, in order to allow the oscillator to stabilize, executes a final reset phase of typ. 1 ms; then the oscillator watchdog reset is released and the part starts program execution from address 0000<sub>H</sub> again.

- **Fast internal reset after power-on**

The oscillator watchdog unit provides a clock supply for the reset before the on-chip oscillator has started. The oscillator watchdog unit also works identically to the monitoring function.

- **Control of external wake-up from software power-down mode**

When the power-down mode is left by a low level at the P3.2/ $\overline{\text{INT0}}$  pin or the P4.1/RXDC pin, the oscillator watchdog unit assures that the microcontroller resumes operation (execution of the power-down wake-up interrupt) with the nominal clock rate. In the power-down mode the RC oscillator and the on-chip oscillator are stopped. Both oscillators are started again when power-down mode is released. When the on-chip oscillator has a higher frequency than the RC oscillator, the microcontroller starts program execution by processing a power down interrupt after a final delay of typ. 1 ms in order to allow the on-chip oscillator to stabilize.



**Figure 25**  
**Functional Block Diagram of the Oscillator Watchdog**

## Power Saving Modes

The C505 provides two basic power saving modes, the idle mode and the power down mode. Additionally, a slow down mode is available. This power saving mode reduces the internal clock rate in normal operating mode and it can be also used for further power reduction in idle mode.

- **Idle mode**

In the idle mode the main oscillator of the C505 continues to run, but the CPU is gated off from the clock signal. All peripheral units are further provided with the clock. The CPU status is preserved in its entirety. The idle mode can be terminated by any enabled interrupt of a peripheral unit or by a hardware reset.

- **Power down mode**

The operation of the C505 is completely stopped and the oscillator is turned off. This mode is used to save the contents of the internal RAM with a very low standby current. Power down mode is entered by software and can be left by reset or by a short low pulse at pin P3.2/ $\overline{\text{INT0}}$  or P4.1/RXDC.

- **Slow down mode**

The controller keeps up the full operating functionality, but its normal clock frequency is internally divided by 32. This slows down all parts of the controller, the CPU and all peripherals, to 1/32-th of their normal operating frequency. Slowing down the frequency significantly reduces power consumption.

In the power down mode of operation,  $V_{CC}$  can be reduced to minimize power consumption. It must be ensured, however, that  $V_{CC}$  is not reduced before the power down mode is invoked, and that  $V_{CC}$  is restored to its normal operating level, before the power down mode is terminated. **Table 11** gives a general overview of the entry and exit procedures of the power saving modes.

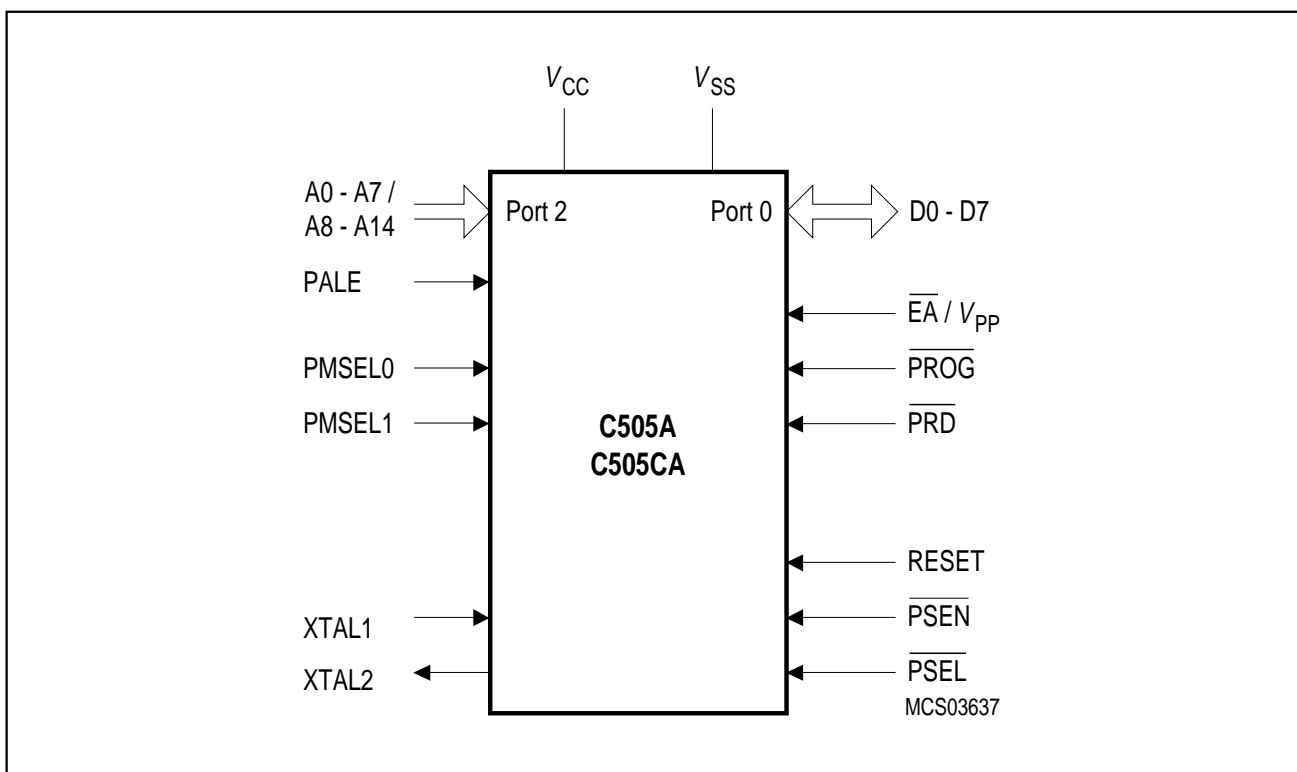
**Table 11**  
**Power Saving Modes Overview**

| Mode            | Entering<br>(Instruction<br>Example) | Leaving by   | Remarks  |
|-----------------|--------------------------------------|--|--|
| Idle Mode       | ORL PCON, #01H<br>ORL PCON, #20H     | Ocurrence of an interrupt from a peripheral unit                   | CPU clock is stopped;<br>CPU maintains their data;<br>peripheral units are active (if enabled) and provided with clock |
|                 |                                      | Hardware Reset   |  |
| Power Down Mode | ORL PCON, #02H<br>ORL PCON, #40H     | Hardware Reset   | Oscillator is stopped;<br>contents of on-chip RAM and SFR's are maintained;  |
|                 |                                      | Short low pulse at pin P3.2/ $\overline{\text{INT0}}$ or P4.1/RXDC |  |
| Slow Down Mode  | ORL PCON,#10H                        | ANL PCON,#0EFH<br>or<br>Hardware Reset                             | Oscillator frequency is reduced to 1/32 of its nominal frequency   |

### OTP Memory Operation (C505A and C505CA only)

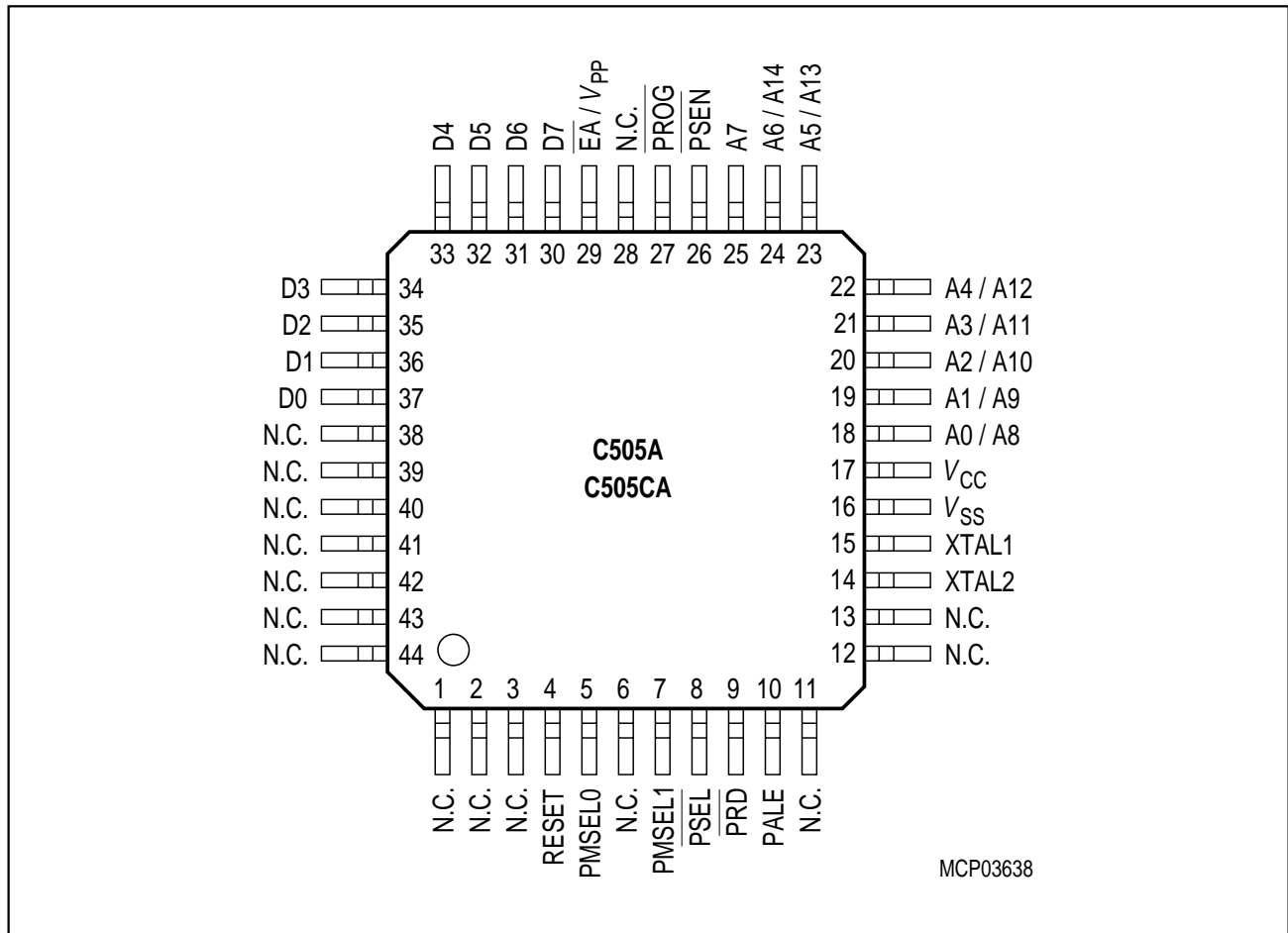
The C505A/C505CA contains a 32k byte one-time programmable (OTP) program memory. With the C505A/C505CA fast programming cycles are achieved (1 byte in 100  $\mu$ sec). Also several levels of OTP memory protection can be selected.

For programming of the device, the C505A/C505CA must be put into the programming mode. This typically is done not in-system but in a special programming hardware. In the programming mode the C505A/C505CA operates as a slave device similar as an EPROM standalone memory device and must be controlled with address/data information, control lines, and an external 11.5V programming voltage. **Figure 26** shows the pins of the C505A/C505CA which are required for controlling of the OTP programming mode.



**Figure 26**  
Programming Mode Configuration

### Pin Configuration in Programming Mode



**Figure 27**  
P-MQFP-44 Pin Configuration of the C505A/C505CA in Programming Mode (Top View)

The following **table 12** contains the functional description of all C505A/C505CA pins which are required for OTP memory programming.

**Table 12**  
**Pin Definitions and Functions in Programming Mode**

| Symbol           | Pin Number | I/O<br>)                     | Function  |        |        |             |   |   |          |   |   |                    |   |   |                        |   |   |                              |
|------------------|------------|------------------------------|---|--------|--------|-------------|---|---|----------|---|---|--------------------|---|---|------------------------|---|---|------------------------------|
| RESET            | 4          | I                            | <b>Reset</b><br>This input must be at static "1" (active) level during the whole programming mode.  |        |        |             |   |   |          |   |   |                    |   |   |                        |   |   |                              |
| PMSEL0<br>PMSEL1 | 5<br>7     | I<br>I                       | <b>Programming mode selection pins</b><br>These pins are used to select the different access modes in programming mode. PMSEL1,0 must satisfy a setup time to the rising edge of PALE. When the logic level of PMSEL1,0 is changed, PALE must be at low level.<br><table border="1" style="width: 100%; border-collapse: collapse;"> <thead> <tr> <th>PMSEL1</th> <th>PMSEL0</th> <th>Access Mode</th> </tr> </thead> <tbody> <tr> <td>0</td> <td>0</td> <td>Reserved</td> </tr> <tr> <td>0</td> <td>1</td> <td>Read version bytes</td> </tr> <tr> <td>1</td> <td>0</td> <td>Program/read lock bits</td> </tr> <tr> <td>1</td> <td>1</td> <td>Program/read OTP memory byte</td> </tr> </tbody> </table> | PMSEL1 | PMSEL0 | Access Mode | 0 | 0 | Reserved | 0 | 1 | Read version bytes | 1 | 0 | Program/read lock bits | 1 | 1 | Program/read OTP memory byte |
| PMSEL1           | PMSEL0     | Access Mode                  |   |        |        |             |   |   |          |   |   |                    |   |   |                        |   |   |                              |
| 0                | 0          | Reserved                     |   |        |        |             |   |   |          |   |   |                    |   |   |                        |   |   |                              |
| 0                | 1          | Read version bytes           |   |        |        |             |   |   |          |   |   |                    |   |   |                        |   |   |                              |
| 1                | 0          | Program/read lock bits       |   |        |        |             |   |   |          |   |   |                    |   |   |                        |   |   |                              |
| 1                | 1          | Program/read OTP memory byte |   |        |        |             |   |   |          |   |   |                    |   |   |                        |   |   |                              |
| PSEL             | 8          | I                            | <b>Basic programming mode select</b><br>This input is used for the basic programming mode selection and must be switched according <b>figure 3-1</b> .  |        |        |             |   |   |          |   |   |                    |   |   |                        |   |   |                              |
| PRD              | 9          | I                            | <b>Programming mode read strobe</b><br>This input is used for read access control for OTP memory read, Version Register read, and lock bit read operations.   |        |        |             |   |   |          |   |   |                    |   |   |                        |   |   |                              |
| PALE             | 10         | I                            | <b>Programming address latch enable</b><br>PALE is used to latch the high address lines. The high address lines must satisfy a setup and hold time to/from the falling edge of PALE. PALE must be at low level when the logic level of PMSEL1,0 is changed.   |        |        |             |   |   |          |   |   |                    |   |   |                        |   |   |                              |
| XTAL2            | 14         | O                            | <b>XTAL2</b><br>Output of the inverting oscillator amplifier.   |        |        |             |   |   |          |   |   |                    |   |   |                        |   |   |                              |
| XTAL1            | 15         | I                            | <b>XTAL1</b><br>Input to the oscillator amplifier.  |        |        |             |   |   |          |   |   |                    |   |   |                        |   |   |                              |
| V <sub>SS</sub>  | 16         | –                            | <b>Circuit ground potential</b><br>must be applied in programming mode.   |        |        |             |   |   |          |   |   |                    |   |   |                        |   |   |                              |
| V <sub>CC</sub>  | 17         | –                            | <b>Power supply terminal</b><br>must be applied in programming mode.  |        |        |             |   |   |          |   |   |                    |   |   |                        |   |   |                              |

\*) I = Input  
O = Output

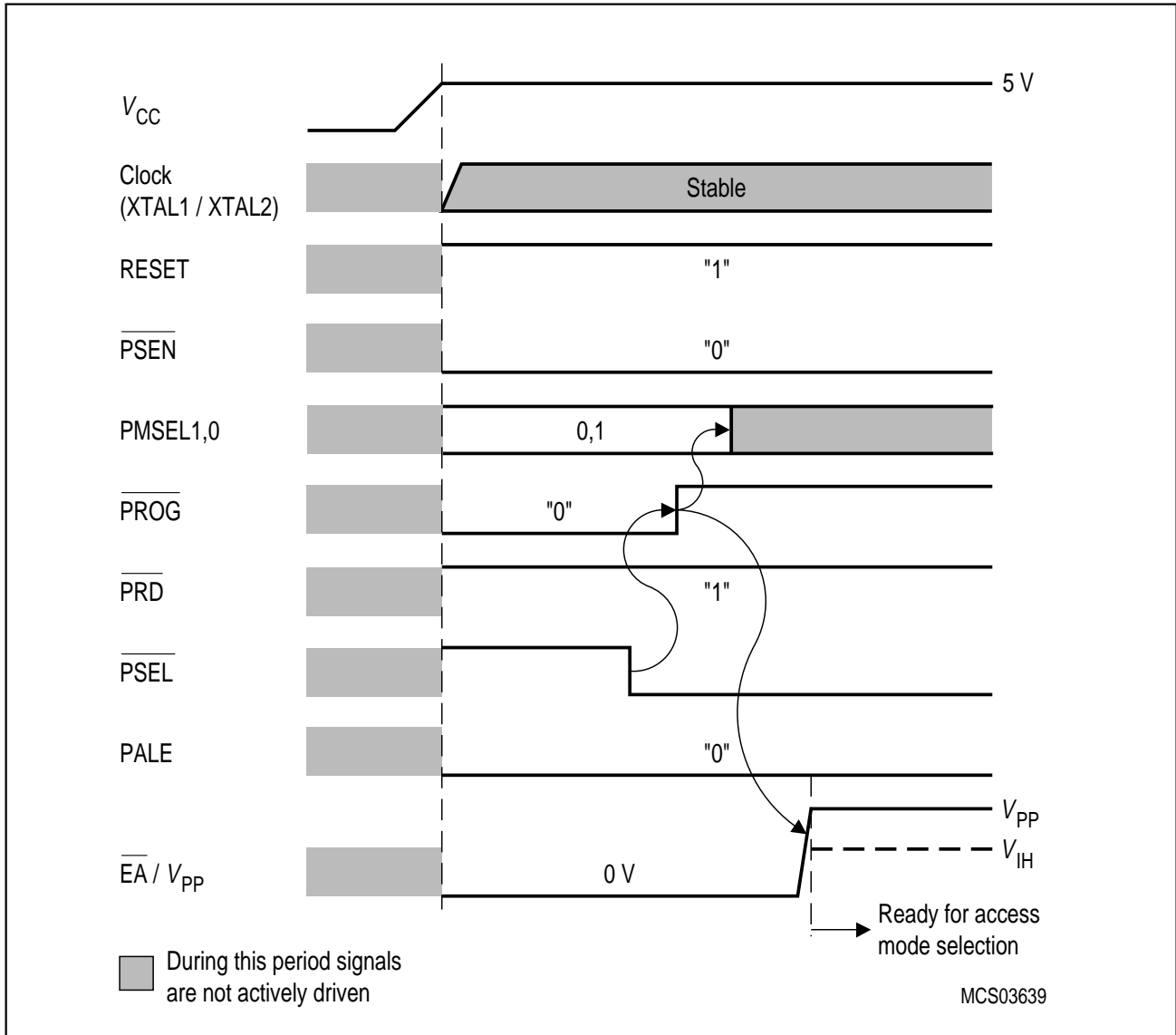
**Table 12**  
**Pin Definitions and Functions in Programming Mode (cont'd)**

| Symbol                               | Pin Number               | I/O<br>) | Function  |
|--------------------------------------|--------------------------|----------|---|
| P2.0-7                               | 18-25                    | I        | <b>Address lines</b><br>P2.0-7 are used as multiplexed address input lines A0-A7 and A8-A14. A8-A14 must be latched with PALE.  |
| $\overline{\text{PSEN}}$             | 26                       | I        | <b>Program store enable</b><br>This input must be at static "0" level during the whole programming mode.  |
| $\overline{\text{PROG}}$             | 27                       | I        | <b>Programming mode write strobe</b><br>This input is used in programming mode as a write strobe for OTP memory program, and lock bit write operations During basic programming mode selection a low level must be applied to $\overline{\text{PROG}}$ .  |
| $\overline{\text{EA}}/V_{\text{PP}}$ | 29                       | –        | <b>External Access / Programming voltage</b><br>This pin must be at 11.5V ( $V_{\text{PP}}$ ) voltage level during programming of an OTP memory byte or lock bit. During an OTP memory read operation this pin must be at $V_{\text{IH}}$ high level. This pin is also used for basic programming mode selection. At basic programming mode selection a low level must be applied to $\overline{\text{EA}}/V_{\text{PP}}$ . |
| D7-0                                 | 30-37                    | I/O      | <b>Data lines 0-7</b><br>During programming mode, data bytes are transferred via the bidirectional port 0 data lines.   |
| N.C.                                 | 1-3, 6, 11-13, 28, 38-44 | –        | <b>Not Connected</b><br>These pins should not be connected in programming mode.   |

\*) I = Input  
O = Output

## Basic Programming Mode Selection

The basic programming mode selection scheme is shown in **figure 28**.



**Figure 28**  
**Basic Programming Mode Selection**



**Table 13**  
**Access Modes Selection**

| Access Mode             | $\overline{EA}/V_{PP}$ | $\overline{PROG}$ | $\overline{PRD}$ | PMSEL |   | Address (Port 2)                 | Data (Port 0)                |
|-------------------------|------------------------|-------------------|------------------|-------|---|----------------------------------|------------------------------|
|                         |                        |                   |                  | 1     | 0 |                                  |                              |
| Program OTP memory byte | $V_{PP}$               |                   | H                | H     | H | A0-7<br>A8-14                    | D0-7                         |
| Read OTP memory byte    | $V_{IH}$               | H                 |                  |       |   |                                  |                              |
| Program OTP lock bits   | $V_{PP}$               |                   | H                | H     | L | –                                | D1,D0 see<br><b>table 14</b> |
| Read OTP lock bits      | $V_{IH}$               | H                 |                  |       |   |                                  |                              |
| Read OTP version byte   | $V_{IH}$               | H                 |                  | L     | H | Byte addr.<br>of version<br>byte | D0-7                         |

### Lock Bits Programming / Read

The C505A/C505CA has two programmable lock bits which, when programmed according **table 14**, provide four levels of protection for the on-chip OTP code memory. The state of the lock bits can also be read.

**Table 14**  
**Lock Bit Protection Types**

| Lock Bits at D1,D0 |    | Protection Level | Protection Type   |
|--------------------|----|------------------|---|
| D1                 | D0 |                  |   |
| 1                  | 1  | Level 0          | The OTP lock feature is disabled. During normal operation of the C505A/C505CA, the state of the $\overline{EA}$ pin is not latched on reset.  |
| 1                  | 0  | Level 1          | During normal operation of the C505A/C505CA, MOV <sub>C</sub> instructions executed from external program memory are disabled from fetching code bytes from internal memory. $\overline{EA}$ is sampled and latched on reset. An OTP memory read operation is only possible using the ROM/OTP verification mode 2 for protection level 1. Further programming of the OTP memory is disabled (reprogramming security). |
| 0                  | 1  | Level 2          | Same as level 1, but also OTP memory read operation using OTP verification mode is disabled.  |
| 0                  | 0  | Level 3          | Same as level 2; but additionally external code execution by setting $\overline{EA}$ =low during normal operation of the C505A/C505CA is no more possible.<br>External code execution, which is initiated by an internal program (e.g. by an internal jump instruction above the ROM boundary), is still possible.  |

### Absolute Maximum Ratings

|  |                             |
|--|-----------------------------|
| Ambient temperature under bias ( $T_A$ ) .....                     | - 40 °C to 125 °C           |
| Storage temperature ( $T_{stg}$ ) .....                            | - 65 °C to 150 °C           |
| Voltage on $V_{CC}$ pins with respect to ground ( $V_{SS}$ ) ..... | - 0.5 V to 6.5 V            |
| Voltage on any pin with respect to ground ( $V_{SS}$ ) .....       | - 0.5 V to $V_{CC} + 0.5$ V |
| Input current on any pin during overload condition .....           | - 10 mA to 10 mA            |
| Absolute sum of all input currents during overload condition ..... | 100 mA                      |
| Power dissipation .....  | TBD                         |

**Note:** Stresses above those listed under “Absolute Maximum Ratings” may cause permanent damage of the device. This is a stress rating only and functional operation of the device at these or any other conditions above those indicated in the operational sections of this specification is not implied. Exposure to absolute maximum rating conditions for longer periods may affect device reliability. During overload conditions ( $V_{IN} > V_{CC}$  or  $V_{IN} < V_{SS}$ ) the Voltage on  $V_{CC}$  pins with respect to ground ( $V_{SS}$ ) must not exceed the values defined by the absolute maximum ratings.

### DC Characteristics

$V_{CC} = 5\text{ V} + 10\%, -15\%$ ;  $V_{SS} = 0\text{ V}$

$T_A = 0\text{ to }70\text{ °C}$  for the SAB- versions

$T_A = -40\text{ to }85\text{ °C}$  for the SAF- versions

$T_A = -40\text{ to }110\text{ °C}$  for the SAH- versions

$T_A = -40\text{ to }125\text{ °C}$  for the SAK- versions

| Parameter  | Symbol    | Limit Values        |                    | Unit          | Test Condition  |
|--|-----------|---------------------|--------------------|---------------|---|
|  |           | min.                | max.               |               |   |
| Input low voltages<br>all except $\overline{EA}$ , RESET         | $V_{IL}$  | -0.5                | $0.2 V_{CC} - 0.1$ | V             | -   |
| $\overline{EA}$ pin  | $V_{IL1}$ | -0.5                | $0.2 V_{CC} - 0.3$ | V             | -   |
| RESET pin  | $V_{IL2}$ | -0.5                | $0.2 V_{CC} + 0.1$ | V             | -   |
| Input high voltages<br>all except XTAL1, RESET                   | $V_{IH}$  | $0.2 V_{CC} + 0.9$  | $V_{CC} + 0.5$     | V             | -   |
| XTAL1 pin  | $V_{IH1}$ | $0.7 V_{CC}$        | $V_{CC} + 0.5$     | V             | -   |
| RESET pin  | $V_{IH2}$ | $0.6 V_{CC}$        | $V_{CC} + 0.5$     | V             | -   |
| Output low voltages<br>Ports 1, 2, 3, 4                          | $V_{OL}$  | -                   | 0.45               | V             | $I_{OL} = 1.6\text{ mA}^1$  |
| Port 0, ALE, $\overline{PSEN}$                                   | $V_{OL1}$ | -                   | 0.45               | V             | $I_{OL} = 3.2\text{ mA}^1$  |
| Output high voltages<br>Ports 1, 2, 3, 4                         | $V_{OH}$  | 2.4<br>$0.9 V_{CC}$ | -                  | V<br>V        | $I_{OH} = -80\text{ }\mu\text{A}$<br>$I_{OH} = -10\text{ }\mu\text{A}^1$  |
| Port 0 in external bus mode,<br>ALE, $\overline{PSEN}$           | $V_{OH2}$ | 2.4<br>$0.9 V_{CC}$ | -                  | V<br>V        | $I_{OH} = -800\text{ }\mu\text{A}$<br>$I_{OH} = -80\text{ }\mu\text{A}^2$ |
| Logic 0 input current<br>Ports 1, 2, 3, 4                        | $I_{IL}$  | -10                 | -70                | $\mu\text{A}$ | $V_{IN} = 0.45\text{ V}$  |
| Logical 0-to-1 transition current<br>Ports 1, 2, 3, 4            | $I_{TL}$  | -65                 | -650               | $\mu\text{A}$ | $V_{IN} = 2\text{ V}$   |
| Input leakage current<br>Port 0, AN0-7 (Port 1), $\overline{EA}$ | $I_{LI}$  | -                   | $\pm 1$            | $\mu\text{A}$ | $0.45 < V_{IN} < V_{CC}$  |
| Pin capacitance  | $C_{IO}$  | -                   | 10                 | pF            | $f_c = 1\text{ MHz}$ ,<br>$T_A = 25\text{ °C}$                            |
| Overload current   | $I_{OV}$  | -                   | $\pm 5$            | mA            | <sup>3) 4)</sup>  |
| Programming voltage  | $V_{PP}$  | 10.9                | 12.1               | V             | $11.5\text{ V} \pm 5\%^5$   |
| Supply current at $\overline{EA}/V_{CC}$                         |           |                     | 30                 | mA            | <sup>5) 6)</sup>  |

Notes see next but one page 61

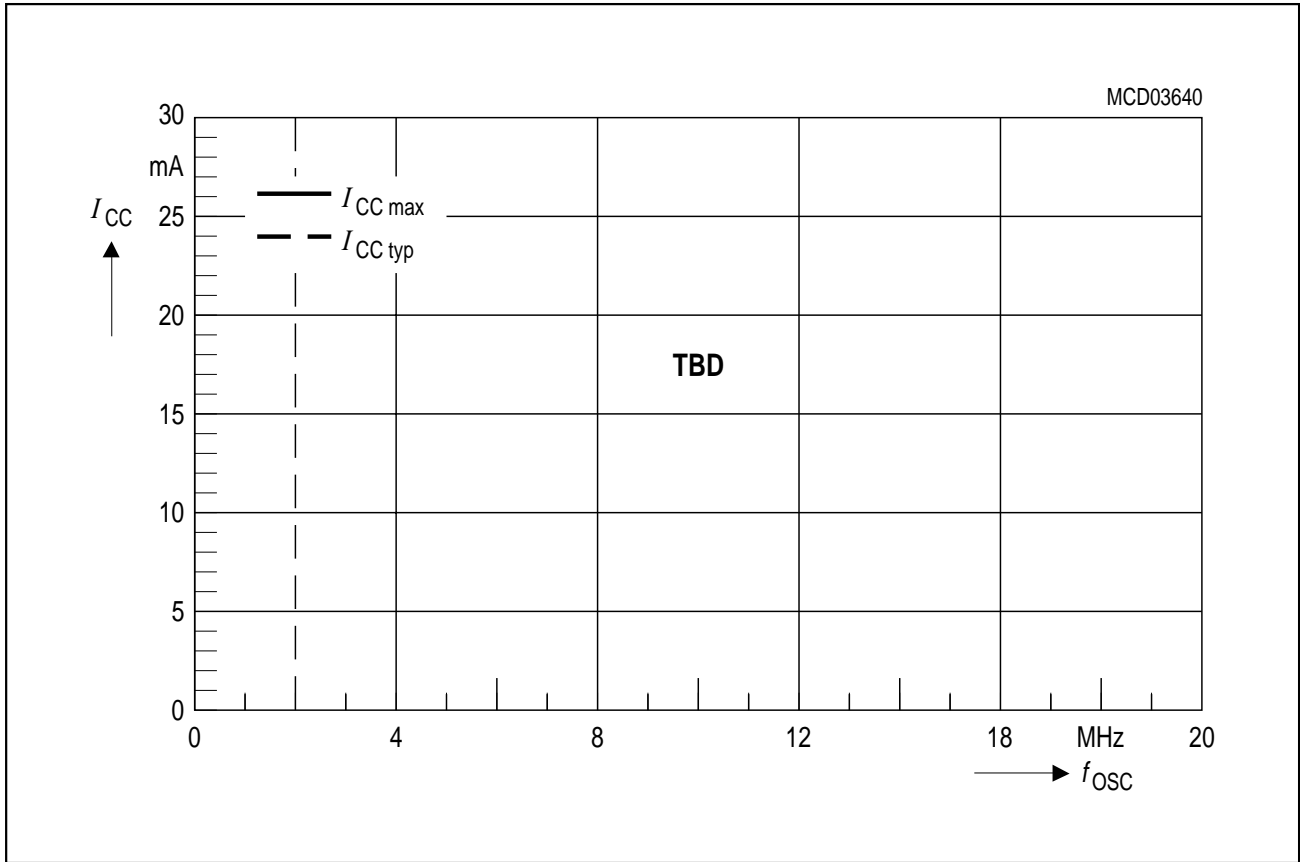
### Power Supply Currents

| Parameter                           |                                       |          | Symbol   | Limit Values        |                     | Unit    | Test Condition                     |
|-------------------------------------|---------------------------------------|----------|----------|---------------------|---------------------|---------|------------------------------------|
|                                     |                                       |          |          | typ. <sup>12)</sup> | max. <sup>13)</sup> |         |                                    |
| C505 /<br>C505C                     | Active Mode                           | 12 MHz   | $I_{CC}$ | 19.7                | TBD                 | mA      | 7)                                 |
|                                     |                                       | 20 MHz   | $I_{CC}$ | 32                  | TBD                 |         |                                    |
|                                     | Idle Mode                             | 12 MHz   | $I_{CC}$ | 11.7                | TBD                 | mA      | 8)                                 |
|                                     |                                       | 20 MHz   | $I_{CC}$ | 17.8                | TBD                 |         |                                    |
|                                     | Active Mode with<br>slow-down enabled | 12 MHz   | $I_{CC}$ | 4.4                 | TBD                 | mA      | 9)                                 |
| 20 MHz                              |                                       | $I_{CC}$ | 4.9      | TBD                 |                     |         |                                    |
| Idle Mode with<br>slow-down enabled | 12 MHz                                | $I_{CC}$ | 3.6      | TBD                 | mA                  | 10)     |                                    |
|                                     | 20 MHz                                | $I_{CC}$ | 4.0      | TBD                 |                     |         |                                    |
| Power down current                  |                                       |          | $I_{PD}$ | 7                   | TBD                 | $\mu A$ | $V_{CC} = 2..5.5 V$ <sup>11)</sup> |
| C505A<br>C505CA                     | Active Mode                           | 12 MHz   | $I_{CC}$ | 18.2                | TBD                 | mA      | 7)                                 |
|                                     |                                       | 20 MHz   | $I_{CC}$ | 28.8                | TBD                 |         |                                    |
|                                     | Idle Mode                             | 12 MHz   | $I_{CC}$ | 9.4                 | TBD                 | mA      | 8)                                 |
|                                     |                                       | 20 MHz   | $I_{CC}$ | 14.1                | TBD                 |         |                                    |
|                                     | Active Mode with<br>slow-down enabled | 12 MHz   | $I_{CC}$ | 3.5                 | TBD                 | mA      | 9)                                 |
| 20 MHz                              |                                       | $I_{CC}$ | 4.2      | TBD                 |                     |         |                                    |
| Idle Mode with<br>slow-down enabled | 12 MHz                                | $I_{CC}$ | 3.0      | TBD                 | mA                  | 10)     |                                    |
|                                     | 20 MHz                                | $I_{CC}$ | 3.4      | TBD                 |                     |         |                                    |
| Power down current                  |                                       |          | $I_{PD}$ | 40                  | TBD                 | $\mu A$ | $V_{CC} = 2..5.5 V$ <sup>11)</sup> |

Notes see next page 61

**Notes:**

- 1) Capacitive loading on ports 0 and 2 may cause spurious noise pulses to be superimposed on the  $V_{OL}$  of ALE and port 3. The noise is due to external bus capacitance discharging into the port 0 and port 2 pins when these pins make 1-to-0 transitions during bus operation. In the worst case (capacitive loading > 100 pF), the noise pulse on ALE line may exceed 0.8 V. In such cases it may be desirable to qualify ALE with a schmitt-trigger, or use an address latch with a schmitt-trigger strobe input.
- 2) Capacitive loading on ports 0 and 2 may cause the  $V_{OH}$  on ALE and  $\overline{PSEN}$  to momentarily fall below the 0.9  $V_{CC}$  specification when the address lines are stabilizing.
- 3) Overload conditions occur if the standard operating conditions are exceeded, i.e. the voltage on any pin exceeds the specified range (i.e.  $V_{OV} > V_{CC} + 0.5$  V or  $V_{OV} < V_{SS} - 0.5$  V). The supply voltage  $V_{CC}$  and  $V_{SS}$  must remain within the specified limits. The absolute sum of input currents on all port pins may not exceed 50 mA.
- 4) Not 100% tested, guaranteed by design characterization.
- 5) Only valid for C505A and C505CA.
- 6) Only valid for C505A and C505CA in programming mode.
- 7)  $I_{CC}$  (active mode) is measured with:  
XTAL1 driven with  $t_R, t_F = 5$  ns, 50% duty cycle,  $V_{IL} = V_{SS} + 0.5$  V,  $V_{IH} = V_{CC} - 0.5$  V; XTAL2 = N.C.;  
 $\overline{EA} = \text{Port 0} = \text{RESET} = V_{CC}$ ; all other pins are disconnected.
- 8)  $I_{CC}$  (idle mode) is measured with all output pins disconnected and with all peripherals disabled;  
XTAL1 driven with  $t_R, t_F = 5$  ns, 50% duty cycle,  $V_{IL} = V_{SS} + 0.5$  V,  $V_{IH} = V_{CC} - 0.5$  V; XTAL2 = N.C.;  
 $\text{RESET} = \overline{EA} = V_{SS}$ ; Port0 =  $V_{CC}$ ; all other pins are disconnected;
- 9)  $I_{CC}$  (active mode with slow-down mode) is measured : TBD
- 10)  $I_{CC}$  (idle mode with slow-down mode) is measured : TBD
- 11)  $I_{PD}$  (power-down mode) is measured under following conditions:  
 $\overline{EA} = \text{Port 0} = V_{CC}$ ;  $\text{RESET} = V_{SS}$ ; XTAL2 = N.C.; XTAL1 =  $V_{SS}$ ;  $V_{AGND} = V_{SS}$ ;  $V_{AREF} = V_{CC}$ ;  
all other pins are disconnected.
- 12) The typical  $I_{CC}$  values are periodically measured at  $T_A = + 25$  °C but not 100% tested.
- 13) The maximum  $I_{CC}$  values are measured under worst case conditions ( $T_A = 0$  °C or  $- 40$  °C and  $V_{CC} = 5.5$  V)

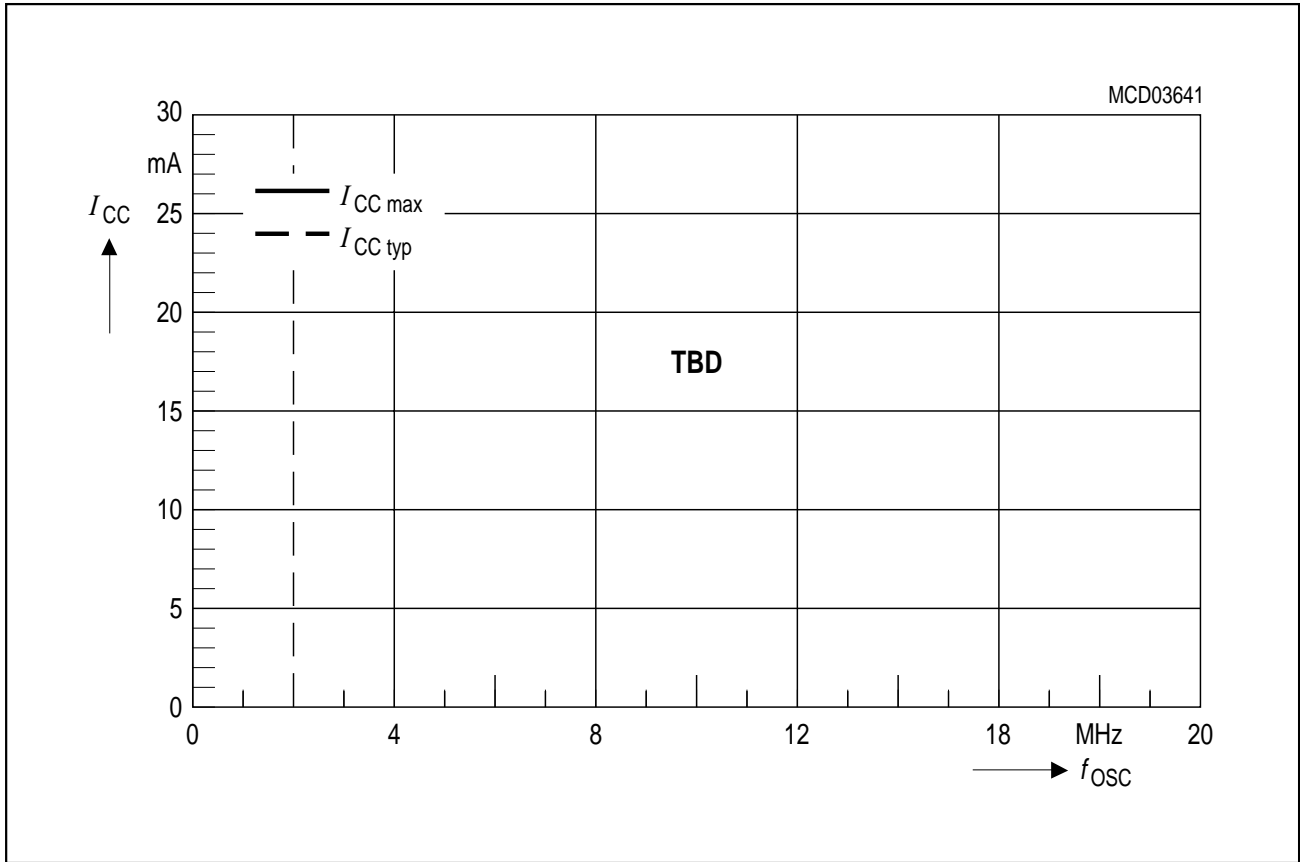


**Figure 29**  
**ICC Diagram of C505 and C505C**

**C505/C505C: Power Supply Current Calculation Formulas**

| Parameter                          | Symbol        | Formula |
|------------------------------------|---------------|---------|
| Active mode                        | $I_{CC\ typ}$ | TBD     |
|                                    | $I_{CC\ max}$ | TBD     |
| Idle mode                          | $I_{CC\ typ}$ | TBD     |
|                                    | $I_{CC\ max}$ | TBD     |
| Active mode with slow-down enabled | $I_{CC\ typ}$ | TBD     |
|                                    | $I_{CC\ max}$ | TBD     |
| Idle mode with slow-down enabled   | $I_{CC\ typ}$ | TBD     |
|                                    | $I_{CC\ max}$ | TBD     |

**Note:**  $f_{osc}$  is the oscillator frequency in MHz.  $I_{CC}$  values are given in mA.



**Figure 30**  
**ICC Diagram of C505A and C505CA**

**C505A : Power Supply Current Calculation Formulas**

| Parameter                          | Symbol        | Formula |
|------------------------------------|---------------|---------|
| Active mode                        | $I_{CC\ typ}$ | TBD     |
|                                    | $I_{CC\ max}$ | TBD     |
| Idle mode                          | $I_{CC\ typ}$ | TBD     |
|                                    | $I_{CC\ max}$ | TBD     |
| Active mode with slow-down enabled | $I_{CC\ typ}$ | TBD     |
|                                    | $I_{CC\ max}$ | TBD     |
| Idle mode with slow-down enabled   | $I_{CC\ typ}$ | TBD     |
|                                    | $I_{CC\ max}$ | TBD     |

**Note:**  $f_{OSC}$  is the oscillator frequency in MHz.  $I_{CC}$  values are given in mA.

## A/D Converter Characteristics of C505 and C505C

$$V_{CC} = 5\text{ V} + 10\%, -15\%; V_{SS} = 0\text{ V}$$

$$T_A = 0\text{ to }70\text{ }^\circ\text{C for the SAB- versions}$$

$$T_A = -40\text{ to }85\text{ }^\circ\text{C for the SAF- versions}$$

$$T_A = -40\text{ to }110\text{ }^\circ\text{C for the SAH- versions}$$

$$T_A = -40\text{ to }125\text{ }^\circ\text{C for the SAK- versions}$$

$$4\text{ V} \leq V_{AREF} \leq V_{CC} + 0.1\text{ V}; V_{SS} - 0.1\text{ V} \leq V_{AGND} \leq V_{SS} + 0.2\text{ V}$$

| Parameter                                       | Symbol     | Limit Values     |  | Unit       | Test Condition  |
|---|------------|------------------|--|------------|---|
|   |            | min.             | max.   |            |   |
| Analog input voltage                            | $V_{AIN}$  | $V_{AGND} - 0.2$ | $V_{AREF} + 0.2$   | V          | 1)  |
| Sample time                                     | $t_S$      | —                | $64 \times t_{IN}$<br>$32 \times t_{IN}$<br>$16 \times t_{IN}$<br>$8 \times t_{IN}$    | ns         | Prescaler $\div 32$<br>Prescaler $\div 16$<br>Prescaler $\div 8$<br>Prescaler $\div 4$ 2) |
| Conversion cycle time                           | $t_{ADCC}$ | —                | $320 \times t_{IN}$<br>$160 \times t_{IN}$<br>$80 \times t_{IN}$<br>$40 \times t_{IN}$ | ns         | Prescaler $\div 32$<br>Prescaler $\div 16$<br>Prescaler $\div 8$<br>Prescaler $\div 4$ 3) |
| Total unadjusted error                          | $T_{UE}$   | —                | $\pm 2$  | LSB        | $V_{SS} + 0.5\text{ V} \leq V_{AIN} \leq V_{CC} - 0.5\text{ V}$<br>4)                     |
| Internal resistance of reference voltage source | $R_{AREF}$ | —                | $t_{ADC} / 500$<br>- 1   | k $\Omega$ | $t_{ADC}$ in [ns] 5) 6)   |
| Internal resistance of analog source            | $R_{ASRC}$ | —                | $t_S / 500$<br>- 1   | k $\Omega$ | $t_S$ in [ns] 2) 6)   |
| ADC input capacitance                           | $C_{AIN}$  | —                | 50   | pF         | 6)  |

Notes see next page.

### Clock calculation table:

| Clock Prescaler Ratio | ADCL1, 0 |   | $t_{ADC}$          | $t_S$              | $t_{ADCC}$          |
|-----------------------|----------|---|--------------------|--------------------|---------------------|
| $\div 32$             | 1        | 1 | $32 \times t_{IN}$ | $64 \times t_{IN}$ | $320 \times t_{IN}$ |
| $\div 16$             | 1        | 0 | $16 \times t_{IN}$ | $32 \times t_{IN}$ | $160 \times t_{IN}$ |
| $\div 8$              | 0        | 1 | $8 \times t_{IN}$  | $16 \times t_{IN}$ | $80 \times t_{IN}$  |
| $\div 4$              | 0        | 0 | $4 \times t_{IN}$  | $8 \times t_{IN}$  | $40 \times t_{IN}$  |

Further timing conditions :  $t_{ADC} \text{ min} = 800\text{ ns}$

$$t_{IN} = 1 / f_{OSC} = t_{CLP}$$



**Notes:**

- 1)  $V_{AIN}$  may exceed  $V_{AGND}$  or  $V_{AREF}$  up to the absolute maximum ratings. However, the conversion result in these cases will be  $00_H$  or  $FF_H$ , respectively.
- 2) During the sample time the input capacitance  $C_{AIN}$  must be charged/discharged by the external source. The internal resistance of the analog source must allow the capacitance to reach their final voltage level within  $t_S$ . After the end of the sample time  $t_S$ , changes of the analog input voltage have no effect on the conversion result.
- 3) This parameter includes the sample time  $t_S$ , the time for determining the digital result. Values for the conversion clock  $t_{ADC}$  depend on programming and can be taken from the table on the previous page.
- 4)  $T_{UE}$  (max.) is tested at  $-40 \leq T_A \leq 125$  °C;  $V_{CC} \leq 5.5$  V;  $V_{AREF} \leq V_{CC} + 0.1$  V and  $V_{SS} \leq V_{AGND}$ . It is guaranteed by design characterization for all other voltages within the defined voltage range. If an overload condition occurs on maximum 2 unused analog input pins and the absolute sum of input overload currents on all analog input pins does not exceed 10 mA, an additional conversion error of 1/2 LSB is permissible.
- 5) During the conversion the ADC's capacitance must be repeatedly charged or discharged. The internal resistance of the reference source must allow the capacitance to reach their final voltage level within the indicated time. The maximum internal resistance results from the programmed conversion timing.
- 6) Not 100% tested, but guaranteed by design characterization.

## A/D Converter Characteristics of C505A and C505CA

$$V_{CC} = 5\text{ V} + 10\%, -15\%; V_{SS} = 0\text{ V}$$

$$T_A = 0\text{ to }70\text{ }^\circ\text{C for the SAB- versions}$$

$$T_A = -40\text{ to }85\text{ }^\circ\text{C for the SAF- versions}$$

$$T_A = -40\text{ to }110\text{ }^\circ\text{C for the SAH- versions}$$

$$T_A = -40\text{ to }125\text{ }^\circ\text{C for the SAK- versions}$$

$$4\text{ V} \leq V_{AREF} \leq V_{CC} + 0.1\text{ V}; V_{SS} - 0.1\text{ V} \leq V_{AGND} \leq V_{SS} + 0.2\text{ V}$$

| Parameter                                       | Symbol     | Limit Values |  | Unit       | Test Condition  |
|---|------------|--------------|--|------------|---|
|   |            | min.         | max.   |            |   |
| Analog input voltage                            | $V_{AIN}$  | $V_{AGND}$   | $V_{AREF}$   | V          | 1)  |
| Sample time                                     | $t_S$      | —            | $64 \times t_{IN}$<br>$32 \times t_{IN}$<br>$16 \times t_{IN}$<br>$8 \times t_{IN}$    | ns         | Prescaler $\div 32$<br>Prescaler $\div 16$<br>Prescaler $\div 8$<br>Prescaler $\div 4$ 2)   |
| Conversion cycle time                           | $t_{ADCC}$ | —            | $384 \times t_{IN}$<br>$192 \times t_{IN}$<br>$96 \times t_{IN}$<br>$48 \times t_{IN}$ | ns         | Prescaler $\div 32$<br>Prescaler $\div 16$<br>Prescaler $\div 8$<br>Prescaler $\div 4$ 3)   |
| Total unadjusted error                          | $T_{UE}$   | —            | $\pm 2$  | LSB        | $V_{SS} + 0.5\text{ V} \leq V_{AIN} \leq V_{CC} - 0.5\text{ V}$ 4)                          |
|   |            | —            | $\pm 4$  | LSB        | $V_{SS} < V_{AIN} < V_{CC} + 0.5\text{ V}$<br>$V_{CC} - 0.5\text{ V} < V_{AIN} < V_{CC}$ 4) |
| Internal resistance of reference voltage source | $R_{AREF}$ | —            | $t_{ADC} / 250$<br>- 0.25  | k $\Omega$ | $t_{ADC}$ in [ns] 5) 6)   |
| Internal resistance of analog source            | $R_{ASRC}$ | —            | $t_S / 500$<br>- 0.25  | k $\Omega$ | $t_S$ in [ns] 2) 6)   |
| ADC input capacitance                           | $C_{AIN}$  | —            | 50   | pF         | 6)  |

Notes see next page.

### Clock calculation table:

| Clock Prescaler Ratio | ADCL1, 0 | $t_{ADC}$          | $t_S$              | $t_{ADCC}$          |
|-----------------------|----------|--------------------|--------------------|---------------------|
| $\div 32$             | 1 1      | $32 \times t_{IN}$ | $64 \times t_{IN}$ | $384 \times t_{IN}$ |
| $\div 16$             | 1 0      | $16 \times t_{IN}$ | $32 \times t_{IN}$ | $192 \times t_{IN}$ |
| $\div 8$              | 0 1      | $8 \times t_{IN}$  | $16 \times t_{IN}$ | $96 \times t_{IN}$  |
| $\div 4$              | 0 0      | $4 \times t_{IN}$  | $8 \times t_{IN}$  | $48 \times t_{IN}$  |

Further timing conditions :  $t_{ADC} \text{ min} = 500\text{ ns}$   
 $t_{IN} = 1 / f_{OSC} = t_{CLP}$

**Notes:**

- 1)  $V_{AIN}$  may exceed  $V_{AGND}$  or  $V_{AREF}$  up to the absolute maximum ratings. However, the conversion result in these cases will be  $X000_H$  or  $X3FF_H$ , respectively.
- 2) During the sample time the input capacitance  $C_{AIN}$  must be charged/discharged by the external source. The internal resistance of the analog source must allow the capacitance to reach their final voltage level within  $t_S$ . After the end of the sample time  $t_S$ , changes of the analog input voltage have no effect on the conversion result.
- 3) This parameter includes the sample time  $t_S$ , the time for determining the digital result and the time for the calibration. Values for the conversion clock  $t_{ADC}$  depend on programming and can be taken from the table on the previous page.
- 4)  $T_{UE}$  is tested at  $V_{AREF} = 5.0\text{ V}$ ,  $V_{AGND} = 0\text{ V}$ ,  $V_{CC} = 4.9\text{ V}$ . It is guaranteed by design characterization for all other voltages within the defined voltage range.  
If an overload condition occurs on maximum 2 unused analog input pins and the absolute sum of input overload currents on all analog input pins does not exceed 10 mA, an additional conversion error of 1/2 LSB is permissible.
- 5) During the conversion the ADC's capacitance must be repeatedly charged or discharged. The internal resistance of the reference source must allow the capacitance to reach their final voltage level within the indicated time. The maximum internal resistance results from the programmed conversion timing.
- 6) Not 100% tested, but guaranteed by design characterization.

## AC Characteristics (12 MHz, 0.5 Duty Cycle)

$V_{CC} = 5\text{ V} + 10\%, -15\%$ ;  $V_{SS} = 0\text{ V}$

$T_A = 0\text{ to }70\text{ }^\circ\text{C}$  for the SAB- versions

$T_A = -40\text{ to }85\text{ }^\circ\text{C}$  for the SAF- versions

$T_A = -40\text{ to }110\text{ }^\circ\text{C}$  for the SAH- versions

$T_A = -40\text{ to }125\text{ }^\circ\text{C}$  for the SAK- versions

( $C_L$  for port 0, ALE and  $\overline{\text{PSEN}}$  outputs = 100 pF;  $C_L$  for all other outputs = 80 pF)

## Program Memory Characteristics

| Parameter  | Symbol        | Limit Values                   |      |   |                 | Unit |
|--|---------------|--------------------------------|------|---|-----------------|------|
|  |               | 12 MHz clock<br>0.5 Duty Cycle |      | Variable Clock<br>1/CLP = 2 MHz to 12 MHz |                 |      |
|  |               | min.                           | max. | min.                                      | max.            |      |
| ALE pulse width  | $t_{LHLL}$    | 43                             | –    | CLP - 40                                  | –               | ns   |
| Address setup to ALE                                   | $t_{AVLL}$    | 17                             | –    | CLP/2 - 25                                | –               | ns   |
| Address hold after ALE                                 | $t_{LLAX}$    | 17                             | –    | CLP/2 - 25                                | –               | ns   |
| ALE to valid instruction in                            | $t_{LLIV}$    | –                              | 80   | –   | 2 CLP - 87      | ns   |
| ALE to $\overline{\text{PSEN}}$                        | $t_{LLPL}$    | 22                             | –    | CLP/2 - 20                                | –               | ns   |
| $\overline{\text{PSEN}}$ pulse width                   | $t_{PLPH}$    | 95                             | –    | 3/2 CLP<br>- 30                           | –               | ns   |
| $\overline{\text{PSEN}}$ to valid instruction in       | $t_{PLIV}$    | –                              | 60   | –   | 3/2 CLP<br>- 65 | ns   |
| Input instruction hold after $\overline{\text{PSEN}}$  | $t_{PXIX}$    | 0                              | –    | 0   | –               | ns   |
| Input instruction float after $\overline{\text{PSEN}}$ | $t_{PXIZ}^*)$ | –                              | 32   | –   | CLP/2 - 10      | ns   |
| Address valid after $\overline{\text{PSEN}}$           | $t_{PXAV}^*)$ | 37                             | –    | CLP/2 - 5                                 | –               | ns   |
| Address to valid instruction in                        | $t_{AVIV}$    | –                              | 148  | –   | 5/2 CLP<br>- 60 | ns   |
| Address float to $\overline{\text{PSEN}}$              | $t_{AZPL}$    | 0                              | –    | 0   | –               | ns   |

\*) Interfacing the C505 to devices with float times up to 37 ns is permissible. This limited bus contention will not cause any damage to port 0 drivers.

### AC Characteristics (12 MHz, 0.5 Duty Cycle, cont'd)

#### External Data Memory Characteristics

| Parameter   | Symbol      | Limit Values                   |      |   |               | Unit |
|---|-------------|--------------------------------|------|---|---------------|------|
|   |             | 12 MHz clock<br>0.5 Duty Cycle |      | Variable Clock<br>1/CLP = 2 MHz to 12 MHz |               |      |
|   |             | min.                           | max. | min.                                      | max.          |      |
| $\overline{RD}$ pulse width                         | $t_{RLRH}$  | 180                            | –    | 3 CLP - 70                                | –             | ns   |
| $\overline{WR}$ pulse width                         | $t_{WLWH}$  | 180                            | –    | 3 CLP - 70                                | –             | ns   |
| Address hold after ALE                              | $t_{LLAX2}$ | 56                             | –    | CLP - 27                                  | –             | ns   |
| $\overline{RD}$ to valid data in                    | $t_{RLDV}$  | –                              | 118  | –   | 5/2 CLP - 90  | ns   |
| Data hold after $\overline{RD}$                     | $t_{RHDX}$  | 0                              | –    | 0   | –             | ns   |
| Data float after $\overline{RD}$                    | $t_{RHDZ}$  | –                              | 63   | –   | CLP - 20      | ns   |
| ALE to valid data in                                | $t_{LLDV}$  | –                              | 200  | –   | 4 CLP - 133   | ns   |
| Address to valid data in                            | $t_{AVDV}$  | –                              | 220  | –   | 9/2 CLP - 155 | ns   |
| ALE to $\overline{WR}$ or $\overline{RD}$           | $t_{LLWL}$  | 75                             | 175  | 3/2 CLP - 50                              | 3/2 CLP + 50  | ns   |
| Address valid to $\overline{WR}$                    | $t_{AVWL}$  | 70                             | –    | 2 CLP - 97                                | –             | ns   |
| $\overline{WR}$ or $\overline{RD}$ high to ALE high | $t_{WHLH}$  | 17                             | 67   | CLP/2 - 25                                | CLP/2 + 25    | ns   |
| Data valid to $\overline{WR}$ transition            | $t_{QVWX}$  | 5                              | –    | CLP/2 - 37                                | –             | ns   |
| Data setup before $\overline{WR}$                   | $t_{QVWH}$  | 170                            | –    | 7/2 CLP - 122                             | –             | ns   |
| Data hold after $\overline{WR}$                     | $t_{WHQX}$  | 15                             | –    | CLP/2 - 27                                | –             | ns   |
| Address float after $\overline{RD}$                 | $t_{RLAZ}$  | –                              | 0    | –   | 0             | ns   |

#### External Clock Drive Characteristics

| Parameter             | Symbol  | Limit Values                              |               | Unit |
|-----------------------|---------|---|---------------|------|
|                       |         | Variable Clock<br>Freq. = 2 MHz to 12 MHz |               |      |
|                       |         | min.                                      | max.          |      |
| Oscillator period     | CLP     | 83.3                                      | 500           | ns   |
| High time             | $TCL_H$ | 20  | CLP - $TCL_L$ | ns   |
| Low time              | $TCL_L$ | 20  | CLP - $TCL_H$ | ns   |
| Rise time             | $t_R$   | –   | 12            | ns   |
| Fall time             | $t_F$   | –   | 12            | ns   |
| Oscillator duty cycle | DC      | 0.5                                       | 0.5           | –    |

## AC Characteristics (16 MHz, 0.4 to 0.6 Duty Cycle)

$V_{CC} = 5\text{ V} +10\%, -15\%$ ;  $V_{SS} = 0\text{ V}$

$T_A = 0\text{ to }70\text{ }^\circ\text{C}$  for the SAB- versions

$T_A = 40\text{ to }85\text{ }^\circ\text{C}$  for the SAF- versions

( $C_L$  for port 0, ALE and  $\overline{\text{PSEN}}$  outputs = 100 pF;  $C_L$  for all other outputs = 80 pF)

## Program Memory Characteristics

| Parameter  | Symbol        | Limit Values                             |      |  |                              | Unit |
|--|---------------|--|------|--|------------------------------|------|
|  |               | 16-MHz clock<br>Duty Cycle<br>0.4 to 0.6 |      | Variable Clock<br>1/CLP= 2 MHz to 16 MHz |                              |      |
|  |               | min.                                     | max. | min.                                     | max.                         |      |
| ALE pulse width  | $t_{LHLL}$    | 48                                       | –    | CLP - 15                                 | –                            | ns   |
| Address setup to ALE                                   | $t_{AVLL}$    | 10                                       | –    | $TCL_{Hmin} - 15$                        | –                            | ns   |
| Address hold after ALE                                 | $t_{LLAX}$    | 10                                       | –    | $TCL_{Hmin} - 15$                        | –                            | ns   |
| ALE to valid instruction in                            | $t_{LLIV}$    | –  | 75   | –  | 2 CLP - 50                   | ns   |
| ALE to $\overline{\text{PSEN}}$                        | $t_{LLPL}$    | 10                                       | –    | $TCL_{Lmin} - 15$                        | –                            | ns   |
| $\overline{\text{PSEN}}$ pulse width                   | $t_{PLPH}$    | 73                                       | –    | CLP+<br>$TCL_{Hmin} - 15$                | –                            | ns   |
| $\overline{\text{PSEN}}$ to valid instruction in       | $t_{PLIV}$    | –  | 38   | –  | CLP+<br>$TCL_{Hmin} - 50$    | ns   |
| Input instruction hold after $\overline{\text{PSEN}}$  | $t_{PXIX}$    | 0  | –    | 0  | –                            | ns   |
| Input instruction float after $\overline{\text{PSEN}}$ | $t_{PXIZ}^*)$ | –  | 15   | –  | $TCL_{Lmin} - 10$            | ns   |
| Address valid after $\overline{\text{PSEN}}$           | $t_{PXAV}^*)$ | 20                                       | –    | $TCL_{Lmin} - 5$                         | –                            | ns   |
| Address to valid instruction in                        | $t_{AVIV}$    | –  | 95   | –  | 2 CLP +<br>$TCL_{Hmin} - 55$ | ns   |
| Address float to $\overline{\text{PSEN}}$              | $t_{AZPL}$    | -5                                       | –    | -5                                       | –                            | ns   |

\*) Interfacing the C505 to devices with float times up to 20 ns is permissible. This limited bus contention will not cause any damage to port 0 drivers.

## AC Characteristics (16 MHz, 0.4 to 0.6 Duty Cycle, cont'd)

### External Data Memory Characteristics

| Parameter   | Symbol      | Limit Values                             |      |  |                              | Unit |
|---|-------------|--|------|--|------------------------------|------|
|   |             | 16-MHz clock<br>Duty Cycle<br>0.4 to 0.6 |      | Variable Clock<br>1/CLP= 2 MHz to 16 MHz |                              |      |
|   |             | min.                                     | max. | min.                                     | max.                         |      |
| $\overline{RD}$ pulse width                         | $t_{RLRH}$  | 158                                      | –    | 3 CLP - 30                               | –                            | ns   |
| $\overline{WR}$ pulse width                         | $t_{WLWH}$  | 158                                      | –    | 3 CLP - 30                               | –                            | ns   |
| Address hold after ALE                              | $t_{LLAX2}$ | 48                                       | –    | CLP - 15                                 | –                            | ns   |
| $\overline{RD}$ to valid data in                    | $t_{RLDV}$  | –  | 100  | –  | 2 CLP+<br>$TCL_{Hmin} - 50$  | ns   |
| Data hold after $\overline{RD}$                     | $t_{RHDX}$  | 0  | –    | 0  | –                            | ns   |
| Data float after $\overline{RD}$                    | $t_{RHDX}$  | –  | 51   | –  | CLP - 12                     | ns   |
| ALE to valid data in                                | $t_{LLDV}$  | –  | 200  | –  | 4 CLP - 50                   | ns   |
| Address to valid data in                            | $t_{AVDV}$  | –  | 200  | –  | 4 CLP +<br>$TCL_{Hmin} - 75$ | ns   |
| ALE to $\overline{WR}$ or $\overline{RD}$           | $t_{LLWL}$  | 73                                       | 103  | CLP +<br>$TCL_{Lmin} - 15$               | CLP+<br>$TCL_{Lmin} + 15$    | ns   |
| Address valid to $\overline{WR}$                    | $t_{AVWL}$  | 95                                       | –    | 2 CLP - 30                               | –                            | ns   |
| $\overline{WR}$ or $\overline{RD}$ high to ALE high | $t_{WHLH}$  | 10                                       | 40   | $TCL_{Hmin} - 15$                        | $TCL_{Hmin} + 15$            | ns   |
| Data valid to $\overline{WR}$ transition            | $t_{QVWX}$  | 5  | –    | $TCL_{Lmin} - 20$                        | –                            | ns   |
| Data setup before $\overline{WR}$                   | $t_{QVWH}$  | 163                                      | –    | 3 CLP +<br>$TCL_{Lmin} - 50$             | –                            | ns   |
| Data hold after $\overline{WR}$                     | $t_{WHQX}$  | 5  | –    | $TCL_{Hmin} - 20$                        | –                            | ns   |
| Address float after $\overline{RD}$                 | $t_{RLAZ}$  | –  | 0    | –  | 0                            | ns   |

## AC Characteristics (16 MHz, 0.4 to 0.6 Duty Cycle, cont'd)

### External Clock Drive Characteristics

| Parameter             | Symbol           | CPU Clock = 16 MHz<br>Duty Cycle 0.4 to 0.6 |      | Variable CPU Clock<br>1/CLP = 2 to 16 MHz |                         | Unit |
|-----------------------|------------------|---|------|---|-------------------------|------|
|                       |                  | min.  | max. | min.                                      | max.                    |      |
| Oscillator period     | CLP              | 62.5  | 62.5 | 62.5                                      | 500                     | ns   |
| High time             | TCL <sub>H</sub> | 25  | –    | 25  | CLP - TCL <sub>L</sub>  | ns   |
| Low time              | TCL <sub>L</sub> | 25  | –    | 25  | CLP - TCL <sub>H</sub>  | ns   |
| Rise time             | t <sub>R</sub>   | –   | 10   | –   | 10                      | ns   |
| Fall time             | t <sub>F</sub>   | –   | 10   | –   | 10                      | ns   |
| Oscillator duty cycle | DC               | 0.4   | 0.6  | 25 / CLP                                  | 1 - 25 / CLP            | –    |
| Clock cycle           | TCL              | 25  | 37.5 | CLP * DC <sub>min</sub>                   | CLP * DC <sub>max</sub> | ns   |

**Note:** The 16 MHz values in the tables are given as an example for a typical duty cycle variation of the oscillator clock from 0.4 to 0.6.



### AC Characteristics (20 MHz, 0.5 Duty Cycle)

$V_{CC} = 5\text{ V} + 10\%, -15\%$ ;  $V_{SS} = 0\text{ V}$

$T_A = 0\text{ to }70\text{ °C}$  for the SAB- versions

$T_A = -40\text{ to }85\text{ °C}$  for the SAF- versions

( $C_L$  for port 0, ALE and  $\overline{\text{PSEN}}$  outputs = 100 pF;  $C_L$  for all other outputs = 80 pF)

### Program Memory Characteristics

| Parameter  | Symbol          | Limit Values                   |      |   |                 | Unit |
|--|-----------------|--------------------------------|------|---|-----------------|------|
|  |                 | 20 MHz clock<br>0.5 Duty Cycle |      | Variable Clock<br>1/CLP = 2 MHz to 20 MHz |                 |      |
|  |                 | min.                           | max. | min.                                      | max.            |      |
| ALE pulse width  | $t_{LHLL}$      | 35                             | –    | CLP - 15                                  | –               | ns   |
| Address setup to ALE                                   | $t_{AVLL}$      | 10                             | –    | CLP/2 - 15                                | –               | ns   |
| Address hold after ALE                                 | $t_{LLAX}$      | 10                             | –    | CLP/2 - 15                                | –               | ns   |
| ALE to valid instruction in                            | $t_{LLIV}$      | –                              | 55   | –   | 2 CLP - 45      | ns   |
| ALE to $\overline{\text{PSEN}}$                        | $t_{LLPL}$      | 10                             | –    | CLP/2 - 15                                | –               | ns   |
| $\overline{\text{PSEN}}$ pulse width                   | $t_{PLPH}$      | 60                             | –    | 3/2 CLP<br>- 15                           | –               | ns   |
| $\overline{\text{PSEN}}$ to valid instruction in       | $t_{PLIV}$      | –                              | 25   | –   | 3/2 CLP<br>- 50 | ns   |
| Input instruction hold after $\overline{\text{PSEN}}$  | $t_{PXIX}$      | 0                              | –    | 0   | –               | ns   |
| Input instruction float after $\overline{\text{PSEN}}$ | $t_{PXIZ}^{*)}$ | –                              | 20   | –   | CLP/2 - 5       | ns   |
| Address valid after $\overline{\text{PSEN}}$           | $t_{PXAV}^{*)}$ | 20                             | –    | CLP/2 - 5                                 | –               | ns   |
| Address to valid instruction in                        | $t_{AVIV}$      | –                              | 65   | –   | 5/2 CLP<br>- 60 | ns   |
| Address float to $\overline{\text{PSEN}}$              | $t_{AZPL}$      | - 5                            | –    | - 5                                       | –               | ns   |

<sup>\*)</sup> Interfacing the C505 to devices with float times up to 20 ns is permissible. This limited bus contention will not cause any damage to port 0 drivers.

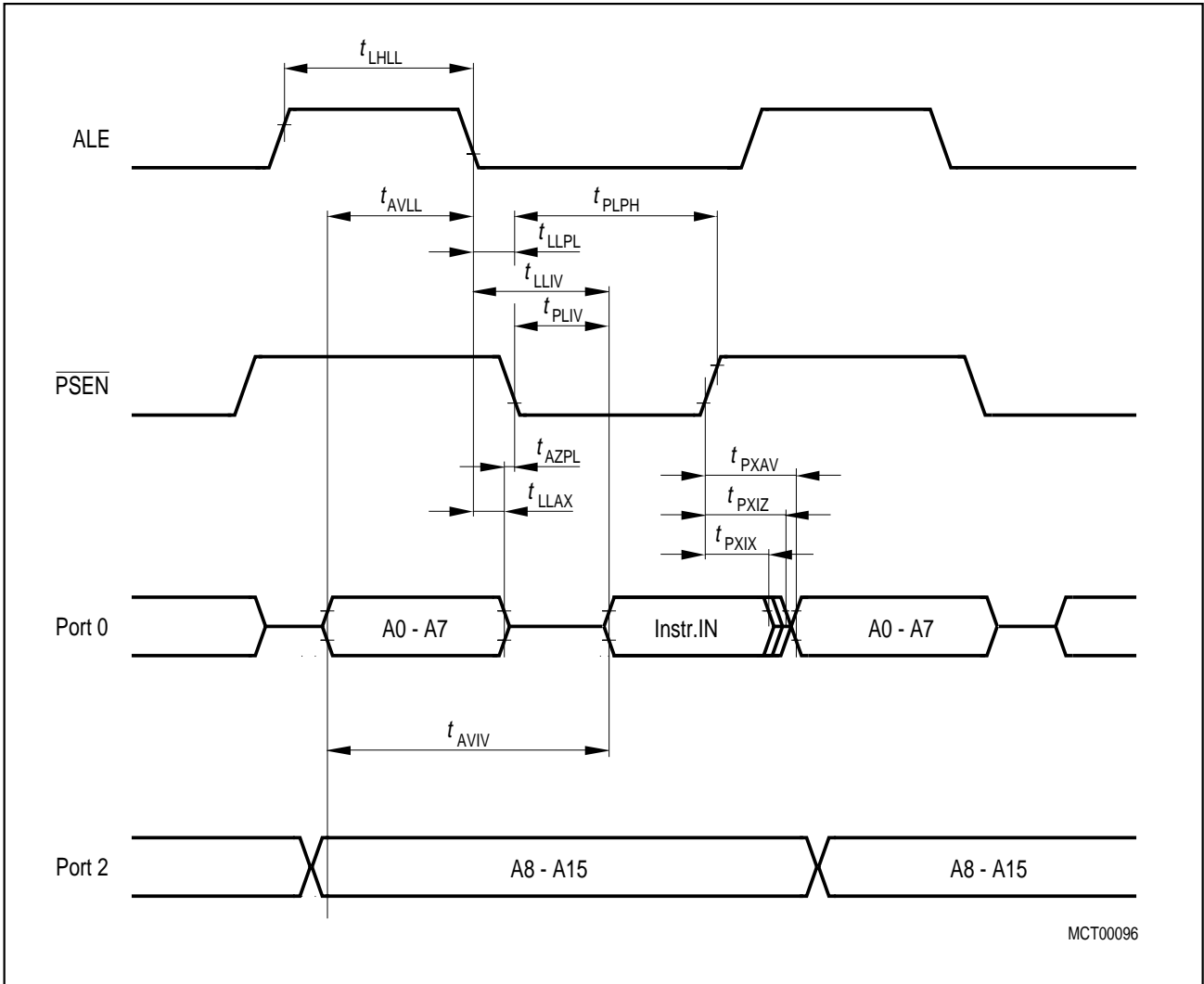
## AC Characteristics (20 MHz, 0.5 Duty Cycle, cont'd)

### External Data Memory Characteristics

| Parameter   | Symbol      | Limit Values                   |      |   |              | Unit |
|---|-------------|--------------------------------|------|---|--------------|------|
|   |             | 20 MHz clock<br>0.5 Duty Cycle |      | Variable Clock<br>1/CLP = 2 MHz to 20 MHz |              |      |
|   |             | min.                           | max. | min.                                      | max.         |      |
| $\overline{RD}$ pulse width                         | $t_{RLRH}$  | 120                            | –    | 3 CLP - 30                                | –            | ns   |
| $\overline{WR}$ pulse width                         | $t_{WLWH}$  | 120                            | –    | 3 CLP - 30                                | –            | ns   |
| Address hold after ALE                              | $t_{LLAX2}$ | 35                             | –    | CLP - 15                                  | –            | ns   |
| $\overline{RD}$ to valid data in                    | $t_{RLDV}$  | –                              | 75   | –   | 5/2 CLP - 50 | ns   |
| Data hold after $\overline{RD}$                     | $t_{RHDX}$  | 0                              | –    | 0   | –            | ns   |
| Data float after $\overline{RD}$                    | $t_{RHDZ}$  | –                              | 38   | –   | CLP - 12     | ns   |
| ALE to valid data in                                | $t_{LLDV}$  | –                              | 150  | –   | 4 CLP - 50   | ns   |
| Address to valid data in                            | $t_{AVDV}$  | –                              | 150  | –   | 9/2 CLP - 75 | ns   |
| ALE to $\overline{WR}$ or $\overline{RD}$           | $t_{LLWL}$  | 60                             | 90   | 3/2 CLP - 15                              | 3/2 CLP + 15 | ns   |
| Address valid to $\overline{WR}$                    | $t_{AVWL}$  | 70                             | –    | 2 CLP - 30                                | –            | ns   |
| $\overline{WR}$ or $\overline{RD}$ high to ALE high | $t_{WHLH}$  | 10                             | 40   | CLP/2 - 15                                | CLP/2 + 15   | ns   |
| Data valid to $\overline{WR}$ transition            | $t_{QVWX}$  | 5                              | –    | CLP/2 - 20                                | –            | ns   |
| Data setup before $\overline{WR}$                   | $t_{QVWH}$  | 125                            | –    | 7/2 CLP - 50                              | –            | ns   |
| Data hold after $\overline{WR}$                     | $t_{WHQX}$  | 5                              | –    | CLP/2 - 20                                | –            | ns   |
| Address float after $\overline{RD}$                 | $t_{RLAZ}$  | –                              | 0    | –   | 0            | ns   |

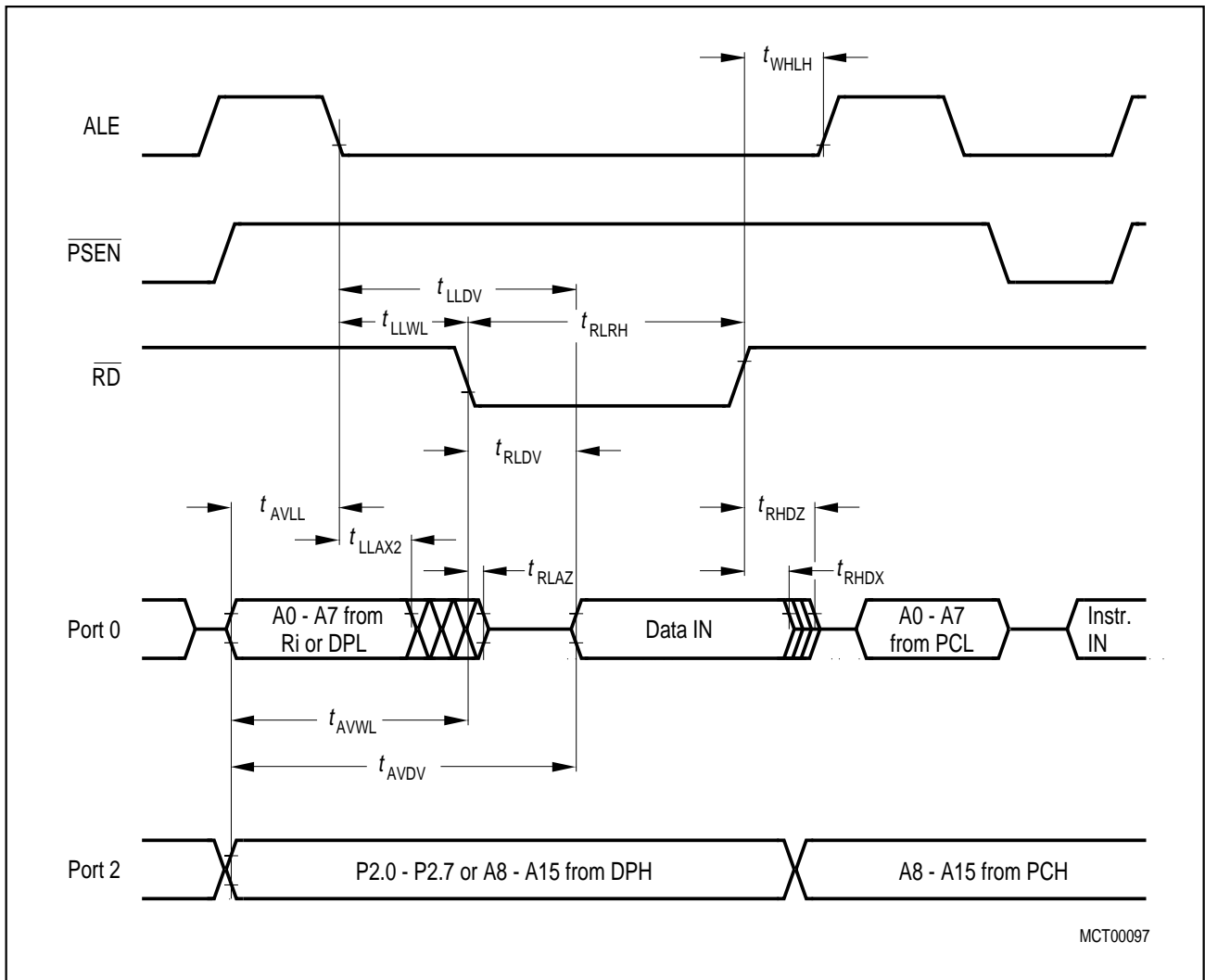
### External Clock Drive Characteristics

| Parameter             | Symbol  | Limit Values                              |               | Unit |
|-----------------------|---------|---|---------------|------|
|                       |         | Variable Clock<br>Freq. = 2 MHz to 20 MHz |               |      |
|                       |         | min.                                      | max.          |      |
| Oscillator period     | CLP     | 50  | 500           | ns   |
| High time             | $TCL_H$ | 15  | $CLP - TCL_L$ | ns   |
| Low time              | $TCL_L$ | 15  | $CLP - TCL_H$ | ns   |
| Rise time             | $t_R$   | –   | 10            | ns   |
| Fall time             | $t_F$   | –   | 10            | ns   |
| Oscillator duty cycle | DC      | 0.5                                       | 0.5           | –    |

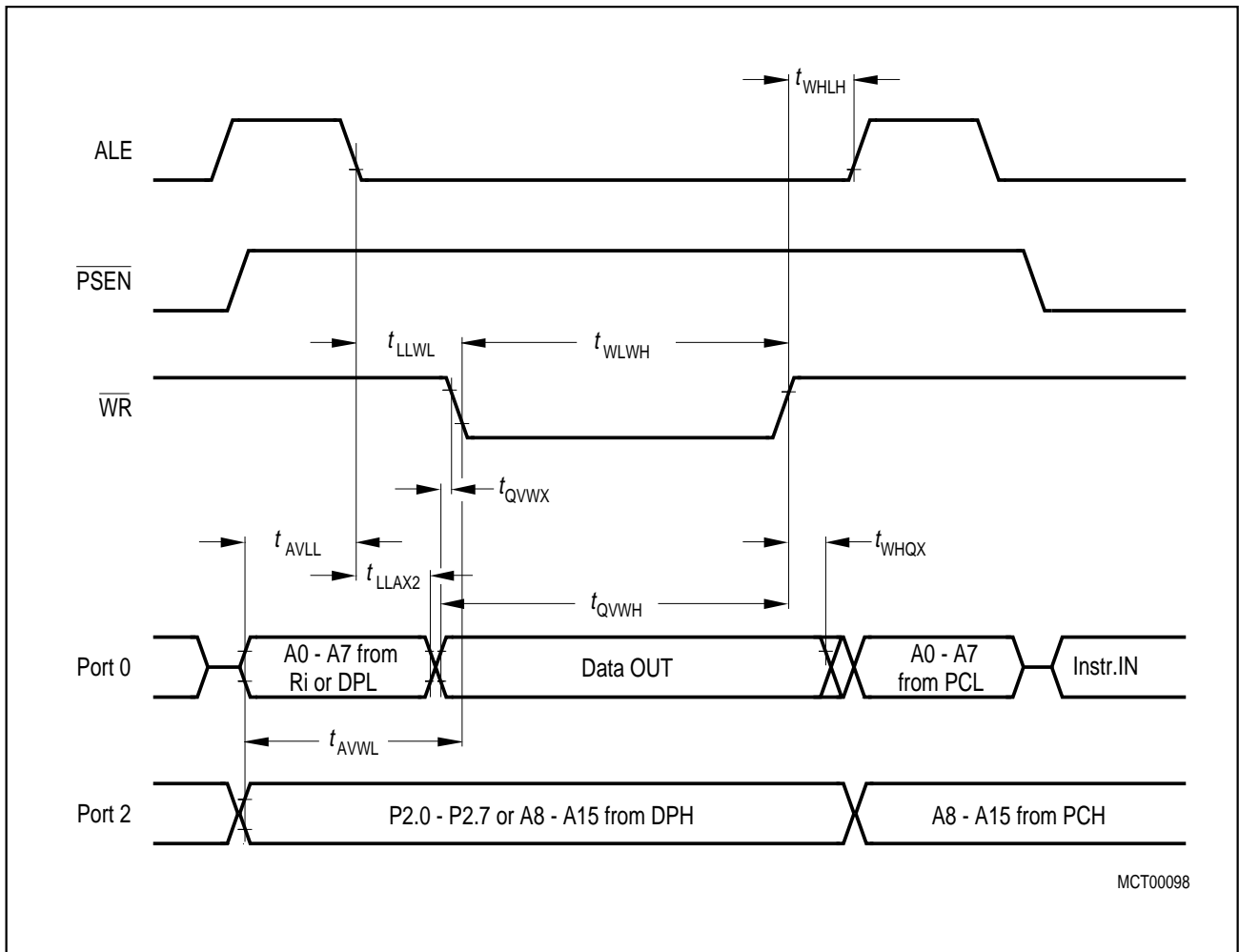


MCT00096

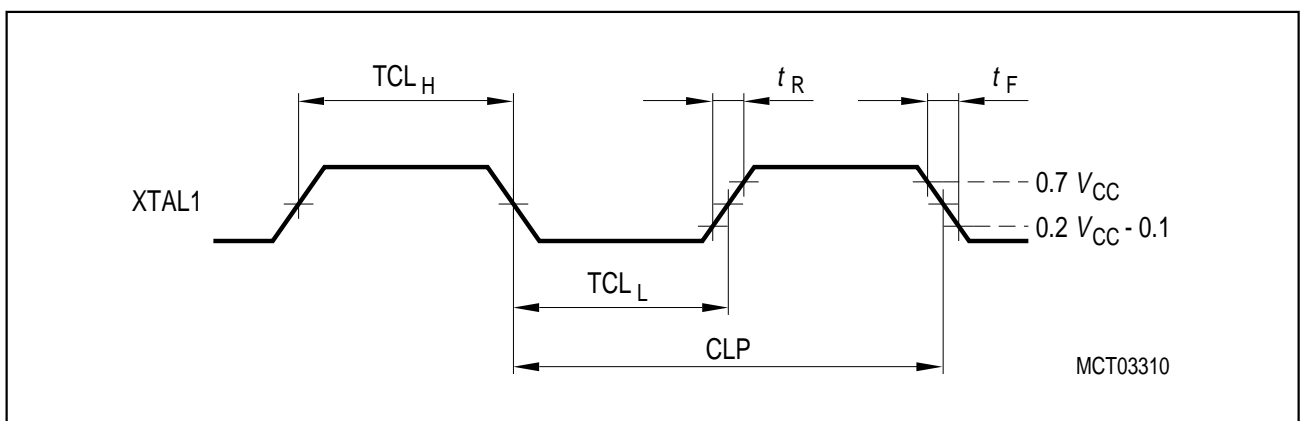
**Figure 31**  
**Program Memory Read Cycle**



**Figure 32**  
**Data Memory Read Cycle**



**Figure 33**  
Data Memory Write Cycle

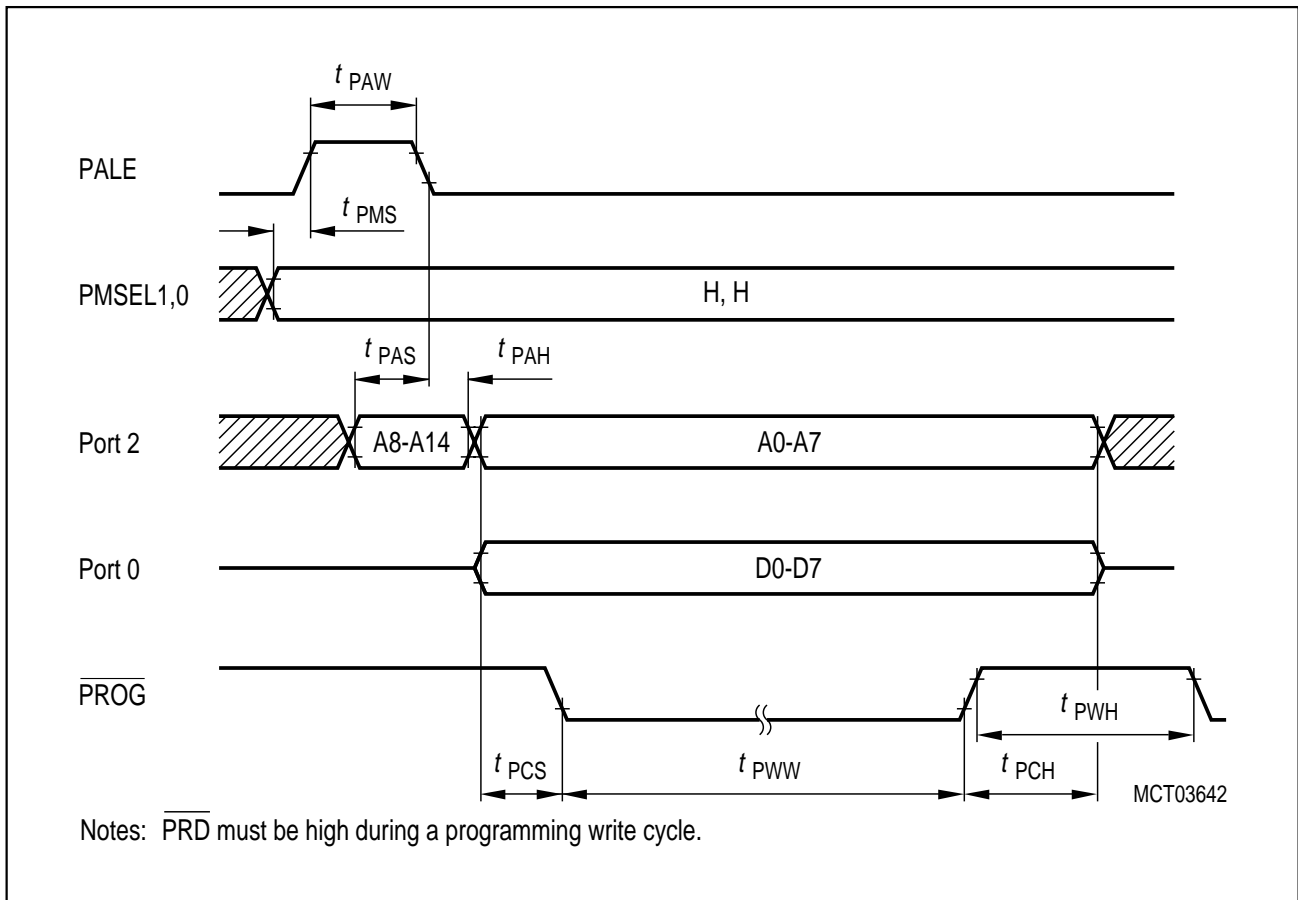


**Figure 34**  
External Clock Drive on XTAL1

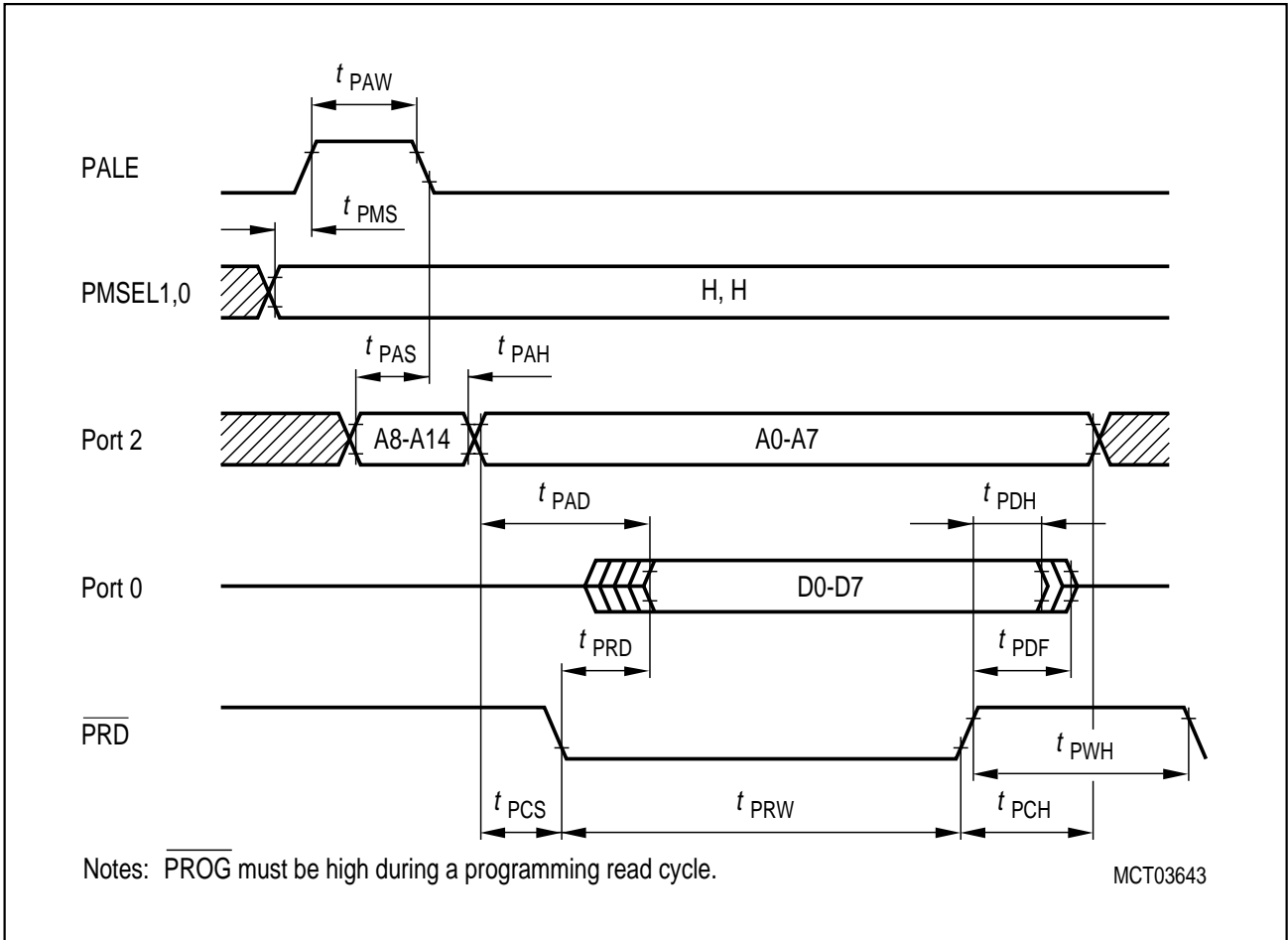
### AC Characteristics of Programming Mode (C505A and C505CA only)

$V_{CC} = 5\text{ V} \pm 10\%$ ;  $V_{PP} = 11.5\text{ V} \pm 5\%$ ;  $T_A = 25\text{ }^\circ\text{C} \pm 10\text{ }^\circ\text{C}$

| Parameter  | Symbol     | Limit Values |      | Unit          |
|--|------------|--------------|------|---------------|
|  |            | min.         | max. |               |
| ALE pulse width  | $t_{PAW}$  | 35           | –    | ns            |
| PMSEL setup to ALE rising edge   | $t_{PMS}$  | 10           | –    |               |
| Address setup to ALE, $\overline{\text{PROG}}$ , or $\overline{\text{PRD}}$ falling edge   | $t_{PAS}$  | 10           | –    | ns            |
| Address hold after ALE, $\overline{\text{PROG}}$ , or $\overline{\text{PRD}}$ falling edge | $t_{PAH}$  | 10           | –    | ns            |
| Address, data setup to $\overline{\text{PROG}}$ or $\overline{\text{PRD}}$                 | $t_{PCS}$  | 100          | –    | ns            |
| Address, data hold after $\overline{\text{PROG}}$ or $\overline{\text{PRD}}$               | $t_{PCH}$  | 0            | –    | ns            |
| PMSEL setup to $\overline{\text{PROG}}$ or $\overline{\text{PRD}}$                         | $t_{PMS}$  | 10           | –    | ns            |
| PMSEL hold after $\overline{\text{PROG}}$ or $\overline{\text{PRD}}$                       | $t_{PMH}$  | 10           | –    | ns            |
| $\overline{\text{PROG}}$ pulse width   | $t_{PWW}$  | 100          | –    | $\mu\text{s}$ |
| $\overline{\text{PRD}}$ pulse width  | $t_{PRW}$  | 100          | –    | ns            |
| Address to valid data out  | $t_{PAD}$  | –            | 75   | ns            |
| $\overline{\text{PRD}}$ to valid data out  | $t_{PRD}$  | –            | 20   | ns            |
| Data hold after $\overline{\text{PRD}}$  | $t_{PDH}$  | 0            | –    | ns            |
| Data float after $\overline{\text{PRD}}$   | $t_{PDF}$  | –            | 20   | ns            |
| $\overline{\text{PROG}}$ high between two consecutive $\overline{\text{PROG}}$ low pulses  | $t_{PWH1}$ | 1            | –    | $\mu\text{s}$ |
| $\overline{\text{PRD}}$ high between two consecutive $\overline{\text{PRD}}$ low pulses    | $t_{PWH2}$ | 100          |      | ns            |
| XTAL clock period  | $t_{CLKP}$ | 83.3         | 500  | ns            |



**Figure 35**  
**Programming Code Byte - Write Cycle Timing**



**Figure 36**  
**Verify Code Byte - Read Cycle Timing**



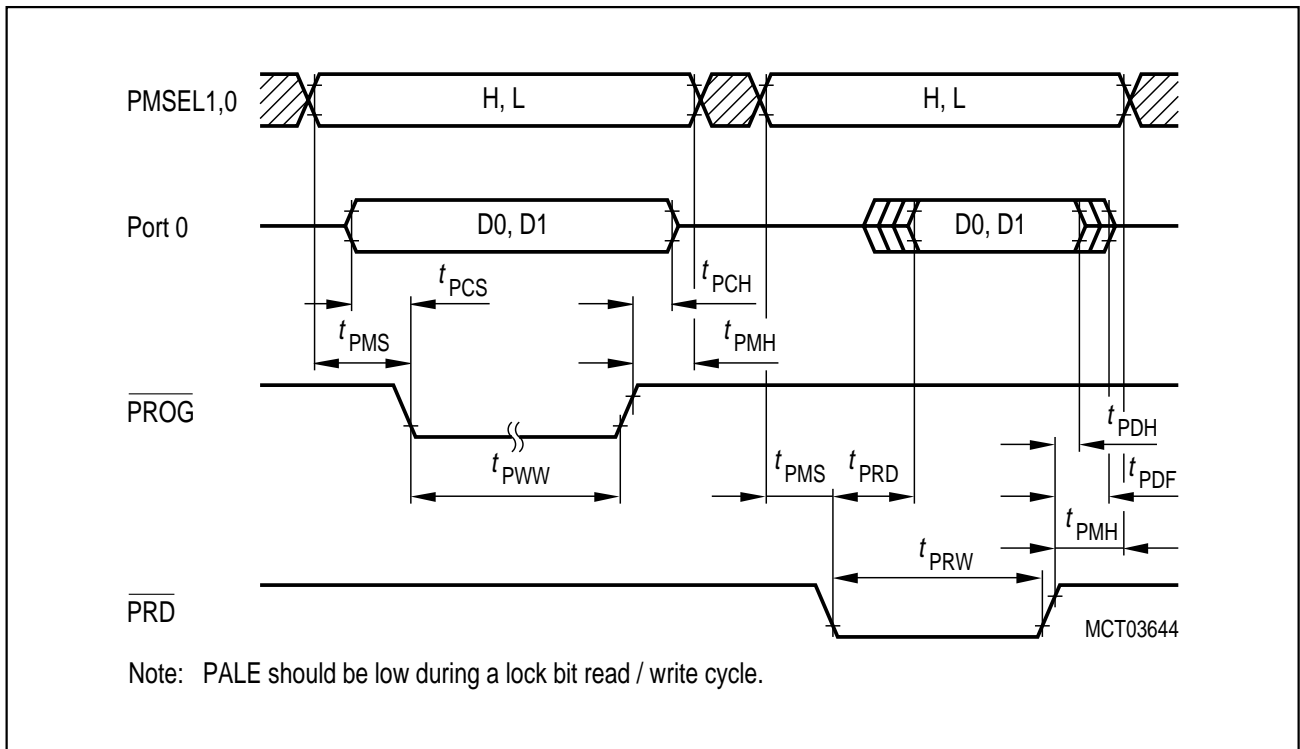


Figure 37  
Lock Bit Access Timing

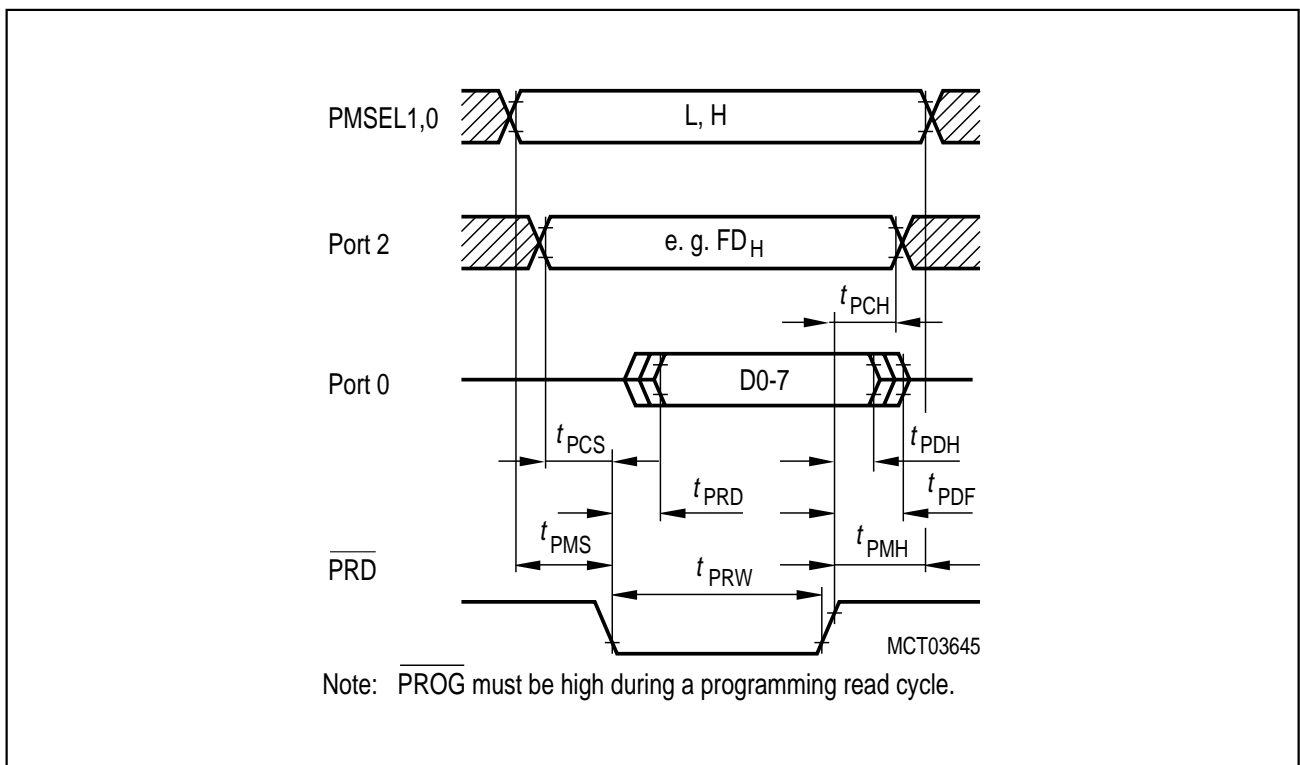
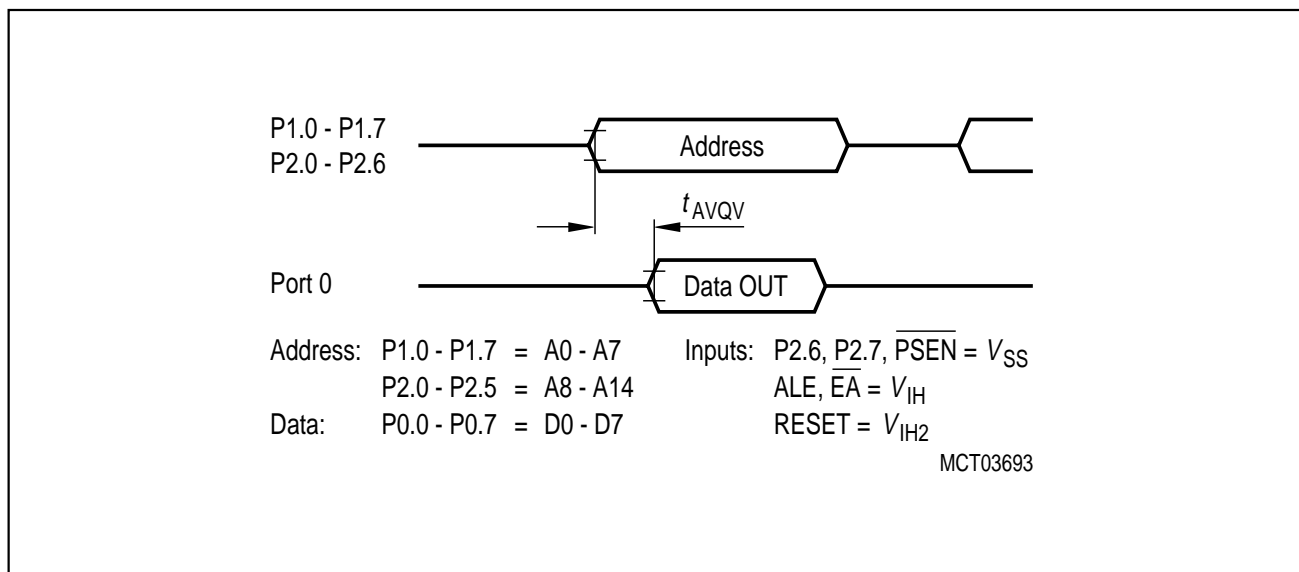


Figure 38  
Version Byte Read Timing

## ROM/OTP Verification Characteristics for C505

### ROM Verification Mode 1 (C505-2R and C505C-2R only)

| Parameter             | Symbol     | Limit Values |       | Unit |
|-----------------------|------------|--------------|-------|------|
|                       |            | min.         | max.  |      |
| Address to valid data | $t_{AVQV}$ | —            | 5 CLP | ns   |

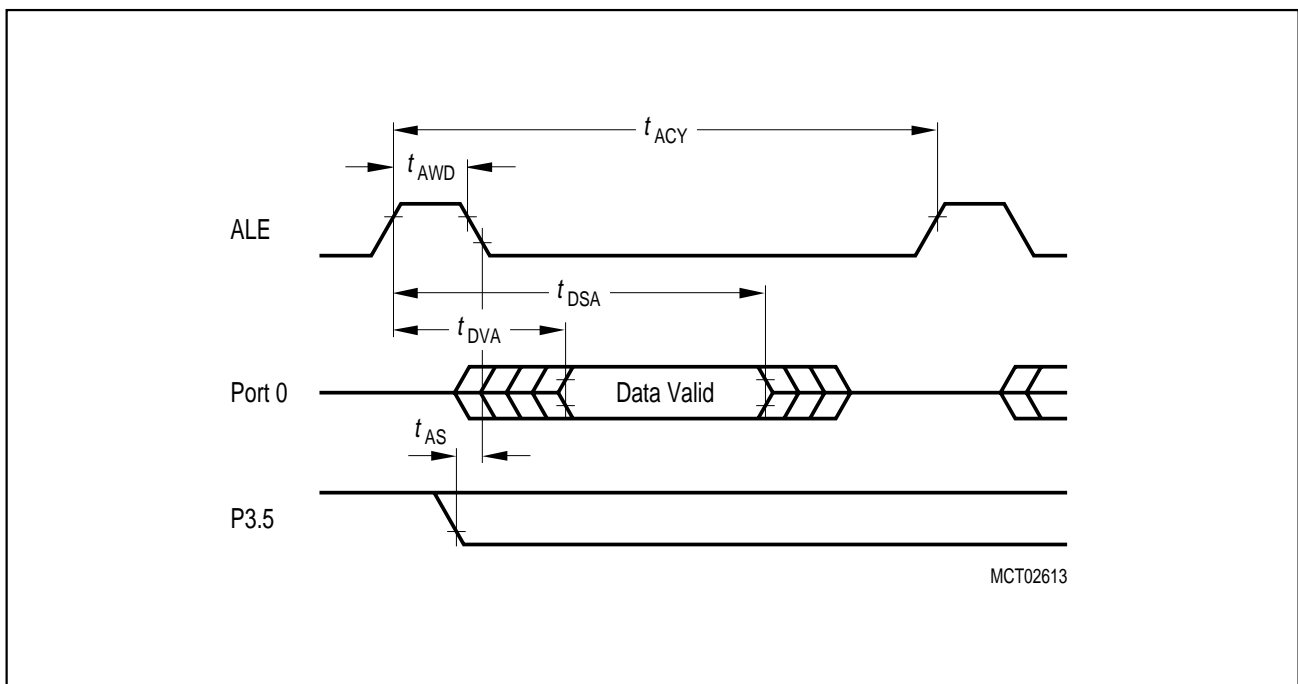


**Figure 39**  
**ROM Verification Mode 1**

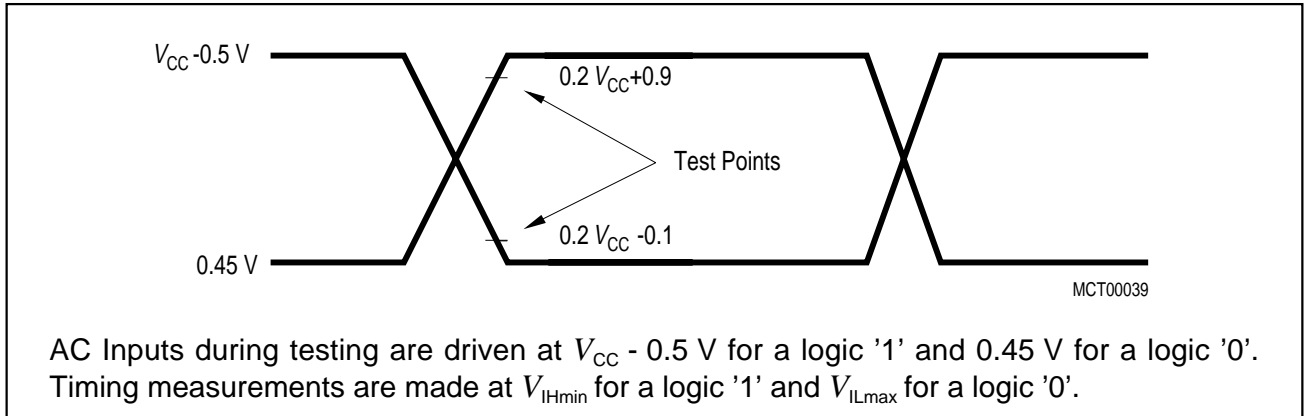
## ROM/OTP Verification Characteristics for C505 (cont'd)

### ROM/OTP Verification Mode 2

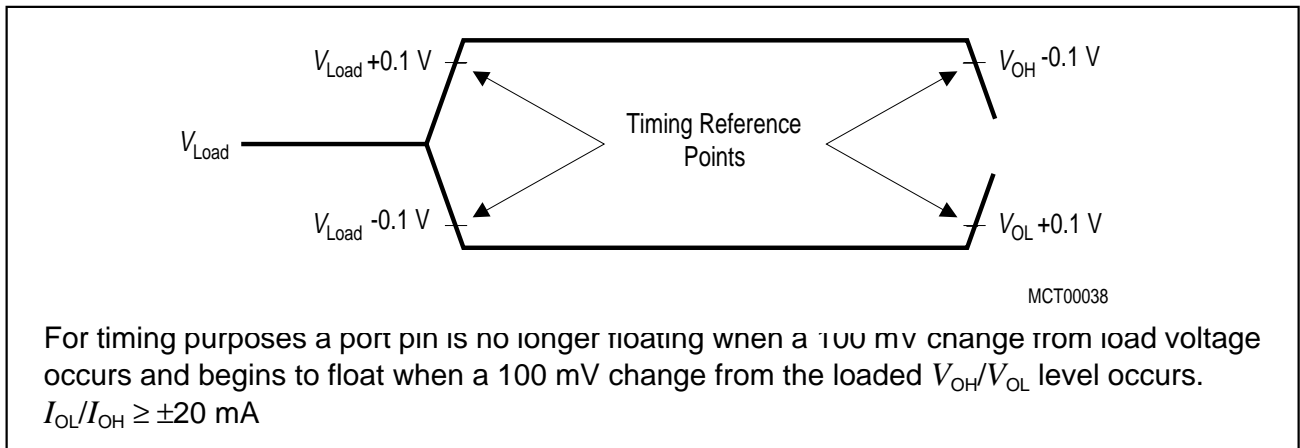
| Parameter             | Symbol    | Limit Values |          |       | Unit |
|-----------------------|-----------|--------------|----------|-------|------|
|                       |           | min.         | typ      | max.  |      |
| ALE pulse width       | $t_{AWD}$ | –            | CLP      | –     | ns   |
| ALE period            | $t_{ACY}$ | –            | 6 CLP    | –     | ns   |
| Data valid after ALE  | $t_{DVA}$ | –            | –        | 2 CLP | ns   |
| Data stable after ALE | $t_{DSA}$ | 4 CLP        | –        | –     | ns   |
| P3.5 setup to ALE low | $t_{AS}$  | –            | $t_{CL}$ | –     | ns   |
| Oscillator frequency  | 1/ CLP    | 4            | –        | 6     | MHz  |



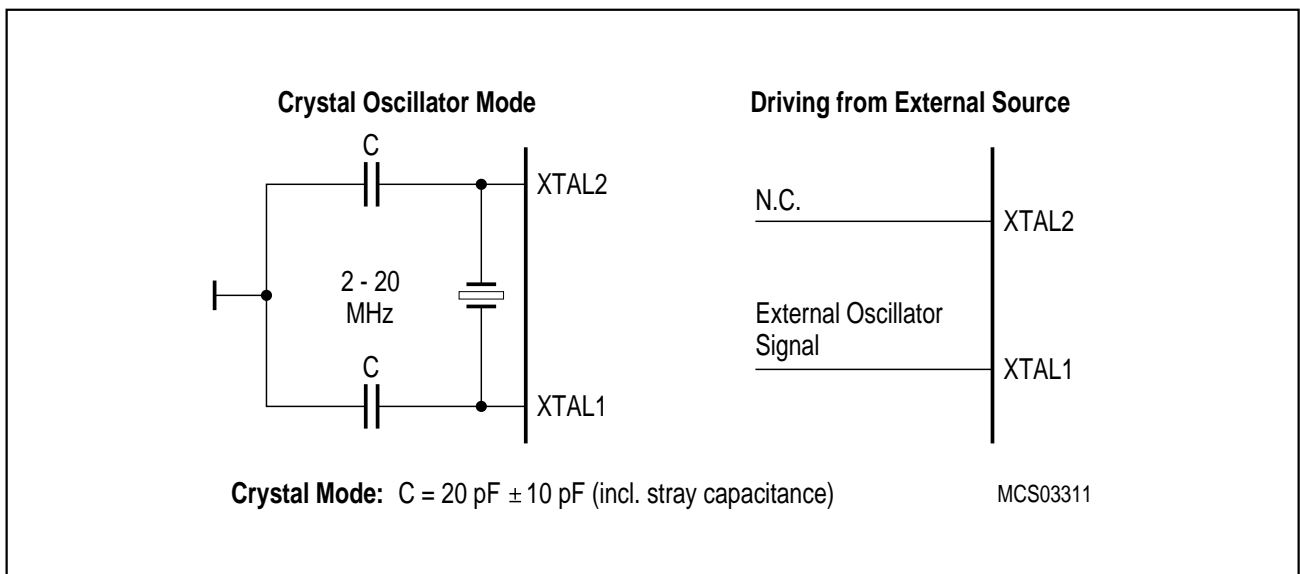
**Figure 40**  
ROM/OTP Verification Mode 2



**Figure 41**  
**AC Testing: Input, Output Waveforms**

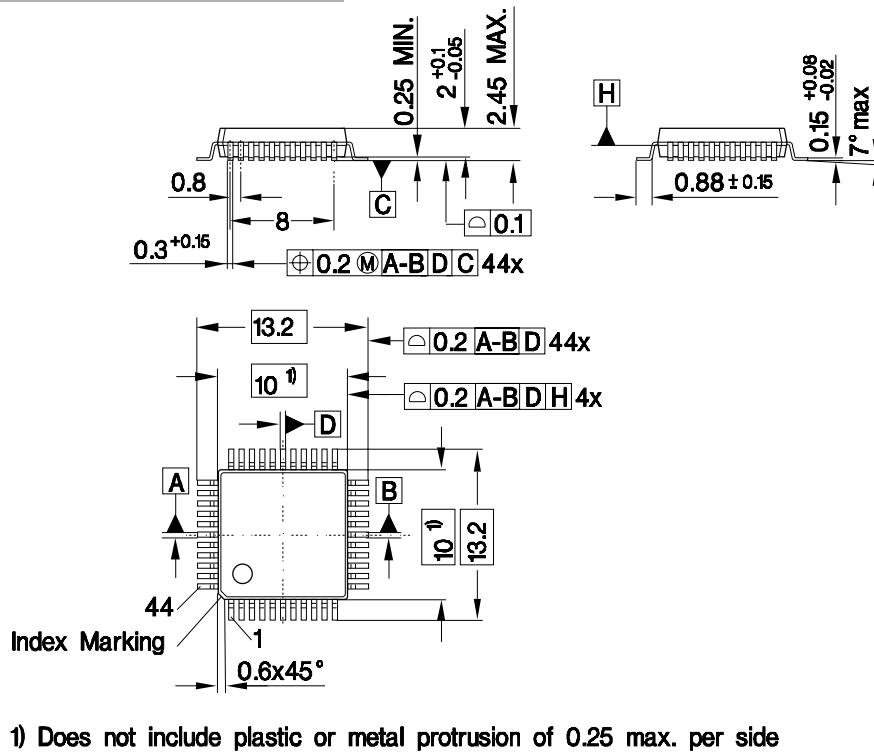


**Figure 42**  
**AC Testing : Float Waveforms**



**Figure 43**  
**Recommended Oscillator Circuits for Crystal Oscillator**

**P-MQFP-44-1 (SMD)**  
(Plastic Metric Quad Flat Package)



GPM05622

**Figure 44**  
**P-MQFP-44 Package Outline**

**Sorts of Packing**

Package outlines for tubes, trays etc. are contained in our Data Book "Package Information"

SMD = Surface Mounted Device

Dimensions in mm