

## RF430FRL15xH NFC ISO 15693 Sensor Transponder

### 1 Device Overview

#### 1.1 Features

- ISO/IEC 15693, ISO/IEC 18000-3 (Mode 1) Compliant RF Interface
- Power Supply System With Either Battery or 13.56-MHz H-Field Supply
- 14-Bit Sigma-Delta Analog-to-Digital Converter (ADC)
- Internal Temperature Sensor
- Resistive Sensor Bias Interface
- CRC16 CCITT Generator
- MSP430™ Mixed-Signal Microcontroller
  - 2KB of FRAM
  - 4KB of SRAM
  - 8KB of ROM
  - Supply Voltage Range: 1.45 V to 1.65 V
  - Low Power Consumption
    - Active Mode (AM): 140  $\mu$ A/MHz (1.5 V)
    - Standby Mode (LPM3): 16  $\mu$ A
  - 16-Bit RISC Architecture
  - Up to 2-MHz CPU System Clock
  - Compact Clock System
    - 4-MHz High-Frequency Clock
    - 256-kHz Internal Low-Frequency Clock Source
- External Clock Input
- 16-Bit Timer\_A With Three Capture/Compare Registers
- LV Port Logic
  - $V_{OL}$  Lower Than 0.15 V at 400  $\mu$ A
  - $V_{OH}$  Higher Than ( $V_{DDB} - 0.15$  V) at 400  $\mu$ A
  - Timer\_A PWM Signal Available on All Ports
- eUSCI\_B Module Supports 3-Wire and 4-Wire SPI and I<sup>2</sup>C
- 32-Bit Watchdog Timer (WDT\_A)
- ROM Development Mode (Map ROM Addresses to SRAM to Enable Firmware Development)
- Full 4-Wire JTAG Debug Interface
- For Complete Module Descriptions, See the *RF430FRL15xH Family Technical Reference Manual* ([SLAU506](#))
- For Application Operation and Programming, See the *RF430FRL15xH Firmware User's Guide* ([SLAU603](#))

#### 1.2 Applications

- Industrial Wireless Sensors
- Medical Wireless Sensors

#### 1.3 Description

The RF430FRL15xH device is a 13.56-MHz transponder chip with a programmable 16-bit MSP430™ low-power microcontroller. The device features embedded universal FRAM nonvolatile memory for storage of program code or user data such as calibration and measurement data. The RF430FRL15xH supports communication, parameter setting, and configuration through the ISO/IEC 15693, ISO/IEC 18000-3 compliant RFID interface and the SPI or I<sup>2</sup>C interface. Sensor measurements are supported by the internal temperature sensor and the onboard 14-bit sigma-delta analog-to-digital converter (ADC), and digital sensors can be connected through SPI or I<sup>2</sup>C.

The RF430FRL15xH device is optimized for operation in fully passive (battery-less) or single-cell battery-powered (semi-active) mode to achieve extended battery life in portable and wireless sensing applications. FRAM is a nonvolatile memory that combines the speed, flexibility, and endurance of SRAM with the stability and reliability of flash, all at lower total power consumption.



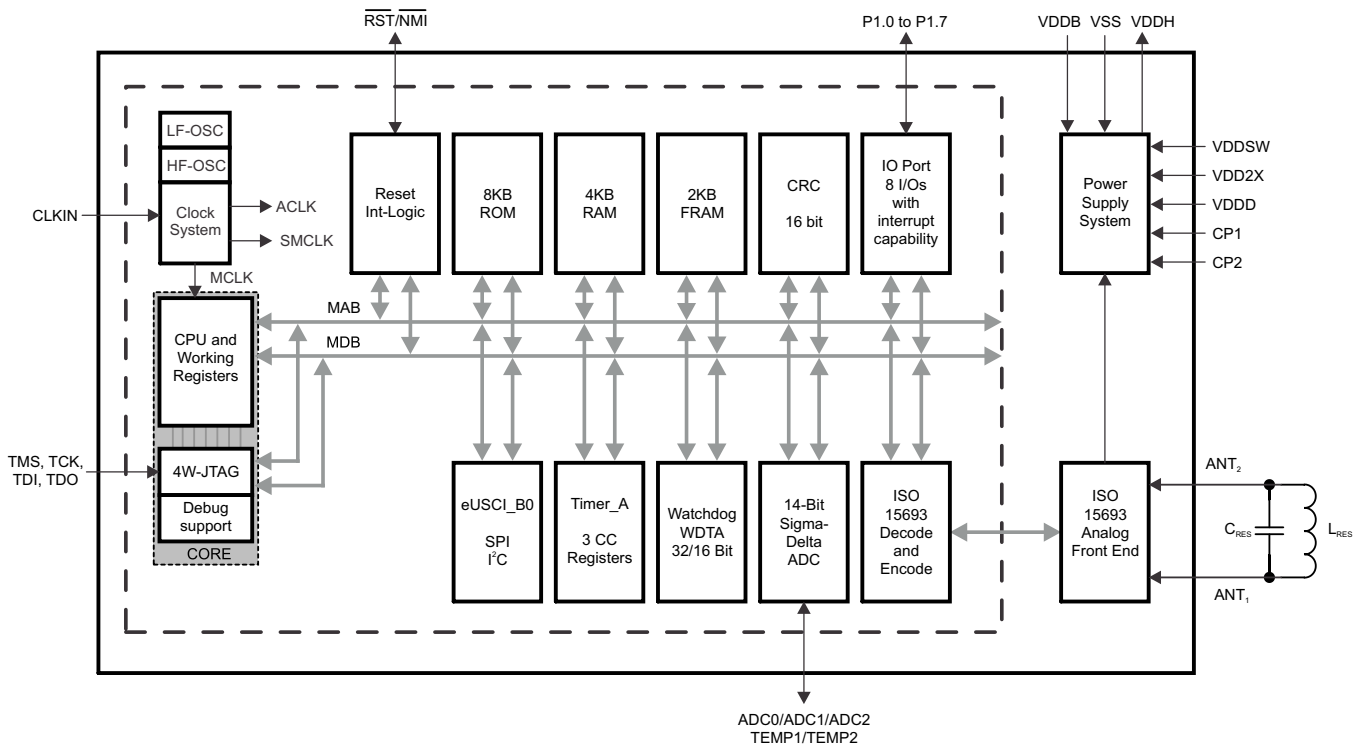
**Device Information<sup>(1)</sup>**

PART NUMBER	PACKAGE	BODY SIZE <sup>(2)</sup>
RF430FRL152H	VQFN (24)	4 mm x 4 mm
RF430FRL153H	VQFN (24)	4 mm x 4 mm
RF430FRL154H	VQFN (24)	4 mm x 4 mm

- (1) For the most current part, package, and ordering information for all available devices, see the *Package Option Addendum* in Section 9, or see the TI web site at [www.ti.com](http://www.ti.com).
- (2) The sizes shown here are approximations. For the package dimensions with tolerances, see the *Mechanical Data* in Section 9.

**1.4 Functional Block Diagram**

Figure 1-1 shows the block diagram of the RF430FRL15xH device.



**Figure 1-1. Functional Block Diagram**

## Table of Contents

<b>1</b>	<b>Device Overview</b> .....	<b>1</b>	5.18	RFPMM, Power Supply Switch .....	<b>19</b>
1.1	Features .....	<b>1</b>	5.19	RFPMM, Bandgap Reference.....	<b>19</b>
1.2	Applications.....	<b>1</b>	5.20	RFPMM, Voltage Doubler .....	<b>19</b>
1.3	Description.....	<b>1</b>	5.21	RFPMM, Voltage Supervision .....	<b>19</b>
1.4	Functional Block Diagram .....	<b>2</b>	5.22	SD14, Performance .....	<b>20</b>
<b>2</b>	<b>Revision History</b> .....	<b>4</b>	5.23	SVSS Generator .....	<b>20</b>
<b>3</b>	<b>Device Comparison</b> .....	<b>5</b>	5.24	Thermistor Bias Generator .....	<b>21</b>
<b>4</b>	<b>Terminal Configuration and Functions</b> .....	<b>6</b>	5.25	Temperature Sensor .....	<b>21</b>
4.1	Pin Diagram .....	<b>6</b>	5.26	RF13M, Power Supply and Recommended Operating Conditions.....	<b>21</b>
4.2	Signal Descriptions .....	<b>7</b>	5.27	RF13M, ISO/IEC 15693 ASK Demodulator .....	<b>21</b>
4.3	Pin Multiplexing.....	<b>9</b>	5.28	RF13M, ISO/IEC 15693 Compliant Load Modulator	<b>21</b>
4.4	Connections for Unused Pins .....	<b>9</b>	<b>6</b>	<b>Detailed Description</b> .....	<b>22</b>
<b>5</b>	<b>Specifications</b> .....	<b>10</b>	6.1	CPU .....	<b>22</b>
5.1	Absolute Maximum Ratings .....	<b>10</b>	6.2	Instruction Set.....	<b>22</b>
5.2	ESD Ratings .....	<b>10</b>	6.3	Operating Modes.....	<b>23</b>
5.3	Recommended Operating Conditions.....	<b>10</b>	6.4	Interrupt Vector Addresses.....	<b>24</b>
5.4	Recommended Operating Conditions, Resonant Circuit.....	<b>11</b>	6.5	Memory.....	<b>26</b>
5.5	Active Mode Supply Current Into $V_{DDB}$ Excluding External Current .....	<b>11</b>	6.6	Peripherals .....	<b>27</b>
5.6	Low-Power Mode Supply Current (Into $V_{DDB}$ ) Excluding External Current.....	<b>11</b>	6.7	Port Schematics .....	<b>33</b>
5.7	Digital I/Os (P1, RST/NMI) .....	<b>12</b>	6.8	Device Descriptors (TLV) .....	<b>41</b>
5.8	High-Frequency Oscillator (4 MHz), HFOSC .....	<b>12</b>	<b>7</b>	<b>Applications, Implementation, and Layout</b> .....	<b>42</b>
5.9	Low-Frequency Oscillator (256 kHz), LFOSC .....	<b>12</b>	<b>8</b>	<b>Device and Documentation Support</b> .....	<b>43</b>
5.10	Wake-Up From Low-Power Modes .....	<b>13</b>	8.1	Device Support .....	<b>43</b>
5.11	Timer_A .....	<b>13</b>	8.2	Documentation Support .....	<b>44</b>
5.12	eUSCI (SPI Master Mode) Recommended Operating Conditions.....	<b>14</b>	8.3	Related Links.....	<b>44</b>
5.13	eUSCI (SPI Master Mode) .....	<b>14</b>	8.4	Community Resources .....	<b>45</b>
5.14	eUSCI (SPI Slave Mode) .....	<b>16</b>	8.5	Trademarks.....	<b>45</b>
5.15	eUSCI (I <sup>2</sup> C Mode).....	<b>18</b>	8.6	Electrostatic Discharge Caution.....	<b>45</b>
5.16	FRAM.....	<b>18</b>	8.7	Glossary .....	<b>45</b>
5.17	JTAG .....	<b>18</b>	<b>9</b>	<b>Mechanical Packaging and Orderable Information</b> .....	<b>45</b>
			9.1	Packaging Information .....	<b>45</b>

## 2 Revision History

NOTE: Page numbers for previous revisions may differ from page numbers in the current version.

<b>Changes from November 13, 2014 to December 8, 2014</b>	<b>Page</b>
• Corrected all instances of the title of the <i>RF430FRL15xH Family Technical Reference Manual</i> .....	<u>1</u>
• Corrected all instances of the title of the <i>RF430FRL15xH Firmware User's Guide</i> .....	<u>1</u>
• Moved $T_{stg}$ to <i>Absolute Maximum Ratings</i> table .....	<u>10</u>
• Changed title of <a href="#">Section 5.2</a> to <i>ESD Ratings</i> .....	<u>10</u>

### 3 Device Comparison

Table 3-1 summarizes the available family members.

**Table 3-1. Device Comparison<sup>(1)</sup>**

Device	FRAM (KB)	SRAM (KB)	Timer	13.56-MHz ISO/IEC 15693 Front End	eUSCI_B	SD14
RF430FRL152H	2	4	Yes	Yes	Yes	Yes
RF430FRL153H	2	4	Yes	Yes	No	Yes
RF430FRL154H	2	4	Yes	Yes	Yes	No

(1) For the most current part, package, and ordering information for all available devices, see the *Package Option Addendum* in Section 9, or see the TI web site at [www.ti.com](http://www.ti.com).

## 4 Terminal Configuration and Functions

### 4.1 Pin Diagram

Figure 4-1 shows the pin assignments on the 24-pin RGE package.

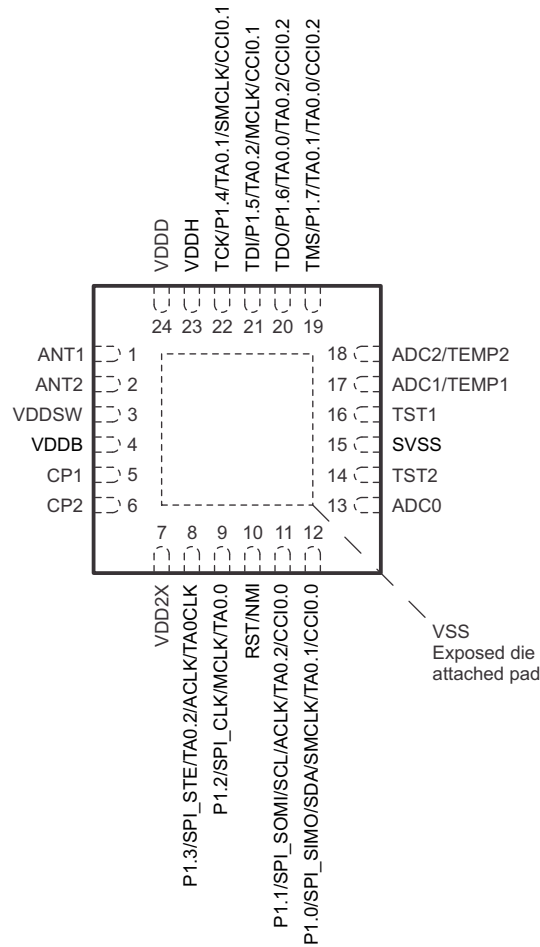


Figure 4-1. 24-Pin RGE Package (Top View)

## 4.2 Signal Descriptions

Table 4-1 describes the signals.

**Table 4-1. Signal Descriptions**

TERMINAL		I/O <sup>(1)</sup>	DESCRIPTION
NAME	NO.		
ANT1	1	I	Antenna input 1
ANT2	2	I	Antenna input 2
V <sub>DDSW</sub>	3		Switched supply voltage
V <sub>DDB</sub>	4		Battery supply voltage
CP1	5		Charge pump flying cap terminal 1
CP2	6		Charge pump flying cap terminal 2
V <sub>DD2X</sub>	7		Voltage doubler output
P1.3 SPI_STE TA0.2 ACLK TA0CLK	8	I/O	General-purpose digital I/O SPI slave transmit enable Timer_A TA0 OUT2 output ACLK output (divided by 1, 2, 4, 8, 16, or 32) Timer_A TA0 clock signal TA0CLK input
P1.2 SPI_CLK MCLK TA0.0	9	I/O	General-purpose digital I/O SPI clock MCLK output Timer_A TA0 OUT0 output
RST/NMI	10	I	Reset input active low Non-maskable interrupt input
P1.1 SPI_SOMI SCL ACLK TA0.2 CCI0.0	11	I/O	General-purpose digital I/O SPI slave out master in I <sup>2</sup> C clock ACLK output (divided by 1, 2, 4, or 8 ) Timer_A TA0 OUT2 output Timer_A TA0 CCR0 capture: CCI0B input, compare
P1.0 SPI_SIMO SDA SMCLK TA0.1 CCI0.0	12	I/O	General-purpose digital I/O SPI slave in master out I <sup>2</sup> C data SMCLK output Timer0_A3 OUT1 output Timer_A TA0 CCR0 capture: CCI0A input, compare
ADC0	13	I	ADC input pin 0
TST2	14		Internal; connect to GND
SVSS	15		Sensor reference potential
TST1	16		Internal; connect to GND
ADC1 / TEMP1	17		ADC input pin 1 / Resistive bias pin 1
ADC2 / TEMP2	18		ADC input pin 2 / Resistive bias pin 2

(1) I = input, O = output

**Table 4-1. Signal Descriptions (continued)**

TERMINAL		I/O <sup>(1)</sup>	DESCRIPTION
NAME	NO.		
TMS P1.7 TA0.1 TA0.0 CCI0.2	19	I/O	JTAG test mode select General-purpose digital I/O Timer_A TA0 OUT1 output Timer_A TA0 OUT0 output Timer_A TA0 CCR2 capture: CCI2B input, compare
TDO P1.6 TA0.0 TA0.2 CCI0.2	20	I/O	JTAG test data output General-purpose digital I/O Timer_A TA0 OUT0 output Timer_A TA0 OUT2 output Timer_A TA0 CCR2 capture: CCI2A input, compare
TDI P1.5 TA0.2 MCLK CCI0.1	21	I/O	JTAG test data input General-purpose digital I/O Timer_A TA0 OUT2 output MCLK output Timer_A TA0 CCR1 capture: CCI1B input, compare
TCK P1.4 TA0.1 SMCLK CCI0.1 CLKIN	22	I/O	JTAG test clock General-purpose digital I/O Timer_A TA0 OUT1 output SMCLK output Timer_A TA0 CCR1 capture: CCI1A input, compare External clock input pin
V <sub>DDH</sub>	23	O	Rectified voltage from RF-AFE
V <sub>DDD</sub>	24		Digital supply voltage
V <sub>SS</sub>	Pad		Ground reference, bonded to exposed pad <sup>(2)</sup>

(2) VSS combines both digital ground (DV<sub>SS</sub>) and analog ground (AV<sub>SS</sub>)



### 4.3 Pin Multiplexing

The GPIO port pins are multiplexed with other functions including analog peripherals and serial communication modules. The pin functions are selected by a combination of register values and device modes. For schematics of the port pins and details of the multiplexing for each, refer to [Section 6.7](#).

### 4.4 Connections for Unused Pins

The correct termination of all unused pins is listed in [Table 4-2](#).

**Table 4-2. Connection of Unused Pins**

Pin	Potential	Comment
TDI/TMS/TCK	Open	When used for JTAG function
$\overline{\text{RST}}/\text{NMI}$	$V_{CC}$ or $V_{SS}$	10-nF capacitor to GND/ $V_{SS}$
Px.0 to Px.7	Open	Set to port function, output direction
TDO	Open	Convention: leave TDO terminal as JTAG function

## 5 Specifications

### 5.1 Absolute Maximum Ratings<sup>(1)</sup>

over recommended ranges of supply voltage and operating free-air temperature (unless otherwise noted)

	MIN	MAX	UNIT
Voltage applied at $V_{DDB}$ referenced to $V_{SS}$ ( $V_{AMR}$ )	-0.3	1.65	V
Voltage applied at $V_{ANT}$ referenced to $V_{SS}$ ( $V_{AMR}$ )	-0.3	3.6	V
Voltage applied to any pin (references to $V_{SS}$ )	-0.3	$V_{DDB} + 0.3$	V
Diode current at any device pin <sup>(2)</sup>		$\pm 2$	mA
Current derating factor when I/O ports are switched in parallel electrically and logically <sup>(3)</sup>		0.9	
Storage temperature range, $T_{stg}$ <sup>(4) (5) (6)</sup>	-40	125	°C

- Stresses beyond those listed under *Absolute Maximum Ratings* may cause permanent damage to the device. These are stress ratings only, and functional operation of the device at these or any other conditions beyond those indicated under [Recommended Operating Conditions](#) is not implied. Exposure to absolute-maximum-rated conditions for extended periods may affect device reliability.
- All voltages are referenced to  $V_{SS}$ .
- The diode current increases to  $\pm 4.5$  mA when two pins are connected, it increases to  $\pm 6.75$  mA when three pins are connected, and so on.
- Soldering during board manufacturing must follow the current JEDEC J-STD-020 specification with peak reflow temperatures not higher than classified on the device label on the shipping boxes or reels. If hand soldering is required for application prototyping, peak temperature must not exceed 250°C for a total of 5 minutes for any single device.
- Data retention on FRAM memory cannot be ensured when exceeding the specified maximum storage temperature,  $T_{stg}$ .
- Programming of devices with user application code should only be performed after reflow or hand soldering. Factory programmed information, such as calibration values, are designed to withstand the temperatures reached in the current JEDEC J-STD-020 specification.

### 5.2 ESD Ratings

	VALUE	UNIT
$V_{ESD}$ Electrostatic discharge (ESD) performance	Human body model (HBM), per ANSI/ESDA/JEDEC JS001 <sup>(1)(2)</sup>	$\pm 2000$ V

- JEDEC document JEP155 states that 500-V HBM allows safe manufacturing with a standard ESD control process.
- Low leakage pin: ADC0 has reduced ESD tolerance of  $\pm 500$  V HBM.

### 5.3 Recommended Operating Conditions

Typical data are based on  $V_{DDB} = 1.5$  V,  $T_A = 25^\circ\text{C}$  (unless otherwise noted)

	MIN	NOM	MAX	UNIT
$V_{DDB}$ Supply voltage during program execution	1.45		1.65	V
$V_{SS}$ Supply voltage (GND reference)		0		V
$T_A$ Operating free-air temperature	0		70	°C
$C_{VDDB}$ Capacitor on $V_{DDB}$ <sup>(1)</sup>		100		nF
$C_{VDDSW}$ Capacitor on $V_{DDB}$ <sup>(1)</sup>		2.2		$\mu\text{F}$
$C_{FLY}$ Charge pump capacitor between CP1 and CP2. Recommended ratio between $C_{FLY}$ and $C_{VDD2X}$ is $\geq 1:10$ . <sup>(1)</sup>		10		nF
$C_{VDD2X}$ Capacitor on $V_{DD2X}$ . Recommended ratio between $C_{FLY}$ and $C_{VDD2X}$ is $\geq 1:10$ . <sup>(1)</sup>		100		nF
$C_{VDDD}$ Capacitor on $V_{DDD}$ <sup>(1)</sup>		1		$\mu\text{F}$
$C_{SVSS}$ Capacitor between SVSS and $V_{SS}$ <sup>(1)</sup>		1		$\mu\text{F}$
$f_{SYSTEM}$ System frequency <sup>(2) (3)</sup>			2	MHz
$f_{CLKIN}$ External clock input frequency			32	kHz

- Low equivalent series resistance (ESR) capacitor
- The MSP430 CPU is clocked directly with MCLK. Both the high and low phase of MCLK must not exceed the pulse duration of the specified maximum frequency.
- Modules may have a different maximum input clock specification. See the specification of the respective module in this data sheet.

## 5.4 Recommended Operating Conditions, Resonant Circuit

		MIN	NOM	MAX	UNIT
$f_c$	Carrier frequency		13.56		MHz
$V_{ANT\_peak}$	Antenna input voltage			3.6	V
Z	Impedance of LC circuit	6.5	15.5		k $\Omega$
$L_{RES}$	Coil inductance		2.66		$\mu$ H
$C_{RES}$	Resonance capacitance		$51.8 - C_{IN}^{(1)}$		pF
QT	Tank quality factor		30		

(1) See the RF13M parameter section.

## 5.5 Active Mode Supply Current Into $V_{DDB}$ Excluding External Current

over recommended operating free-air temperature (unless otherwise noted)<sup>(1)</sup>

PARAMETER	EXECUTION MEMORY	$V_{DDB}$	Frequency ( $f_{MCLK} = f_{SMCLK}$ )				UNIT
			1 MHz		2 MHz		
			TYP	MAX	TYP	MAX	
$I_{AM, FRAM}^{(2)}$	FRAM	1.5 V	330	420	480	580	$\mu$ A
$I_{AM, RAM}^{(2)}$	RAM	1.5 V	220	300	250	320	$\mu$ A
$I_{AM, ROM}^{(2)}$	ROM	1.5 V	220	300	230	300	$\mu$ A

(1) All inputs are tied to 0 V or to  $V_{CC}$ . Outputs do not source or sink any current.

(2)  $f_{ACLK} = 256$  kHz, CPUOFF = 0, SCG0 = 0, SCG1 = 0, OSCOFF = 0

## 5.6 Low-Power Mode Supply Current (Into $V_{DDB}$ ) Excluding External Current

over recommended ranges of supply voltage and operating free-air temperature (unless otherwise noted)<sup>(1)</sup>

PARAMETER	$V_{DDB}$	0°C		20°C		45°C		70°C		UNIT
		TYP	MAX	TYP	MAX	TYP	MAX	TYP	MAX	
$I_{LPM0}^{(2)}$	$f_{MCLK} = \text{off}, f_{SMCLK} = 1$ MHz, $f_{ACLK} = 32$ kHz, CPUOFF = 1, SCG0 = 0, SCG1 = 0, OSCOFF = 0	170	230	190		210		260	340	$\mu$ A
$I_{LPM3}^{(3)}$	$f_{MCLK} = f_{SMCLK} = \text{off}, f_{ACLK} = 16$ kHz, CPUOFF = 1, SCG0 = 1, SCG1 = 1, OSCOFF = 0	12	20	13		16		25	65	$\mu$ A
$I_{LPM4}^{(4)}$	$f_{MCLK} = f_{SMCLK} = f_{ACLK} = 0$ Hz, CPUOFF = 1, SCG0 = 1, SCG1 = 1, OSCOFF = 1	11	16	12		15		24	60	$\mu$ A

(1) Including current for WDT clocked by ACLK.

(2) CSS: SELM=SELS=HF\_CLK, SELA=LF\_CLK, DIVM=/2 (2MHz), DIVS=/4 (1MHz), DIVA=/8 (32kHz)  
SD14: reset values

RFPMM: battery switch on (EN\_BATSWITCH=1)

(3) CSS: SELM=HF\_CLK, SELS=SELA=LF\_CLK, DIVM=/2 (2MHz), DIVS=/32 (8kHz), DIVA=/16 (16kHz)

SD14: reset values

RFPMM: EN\_BATSWITCH=1 (battery switch enabled)

(4) CSS: SELM=HF\_CLK, SELS=SELA=LF\_CLK, DIVM=/2 (2MHz), DIVS=/32 (8kHz), DIVA=/16 (16kHz)

SD14: reset values

RFPMM: EN\_BATSWITCH=1 (battery switch enabled)

## 5.7 Digital I/Os (P1, RST/NMI)

over recommended ranges of supply voltage and operating free-air temperature (unless otherwise noted)

PARAMETER		TEST CONDITIONS	MIN	TYP	MAX	UNIT
V <sub>OH</sub>	High-level output voltage	V <sub>DDB</sub> = 1.5 V, I <sub>OH</sub> = -400 μA <sup>(1)</sup> for port P1	V <sub>DDB</sub> - 0.15			V
V <sub>OL</sub>	Low-level output voltage	V <sub>DDB</sub> = 1.5 V, I <sub>OL</sub> = 400 μA <sup>(2)</sup> for port P1			0.15	V
V <sub>IH</sub>	High-level input voltage	V <sub>DDB</sub> = 1.5 V	0.7 × V <sub>DDB</sub>			V
V <sub>IL</sub>	Low-level input voltage	V <sub>DDB</sub> = 1.5 V			0.3 × V <sub>DDB</sub>	V
I <sub>OH</sub>	High-level output current	V <sub>DDB</sub> = 1.45 V to 1.65 V for port P1	-400			μA
I <sub>OL</sub>	Low-level output current	V <sub>DDB</sub> = 1.45 V to 1.65 V for port P1			400	μA
I <sub>LKG</sub>	High-impedance leakage current	V <sub>DDB</sub> = 1.45 V to 1.65 V	-100		100	nA
t <sub>INT</sub>	External interrupt timing <sup>(3)</sup>	P1.x, V <sub>DDB</sub> = 1.45 V to 1.65 V		200		ns
R <sub>PULL</sub>	Pullup or pulldown resistor	V <sub>DDB</sub> =1.5 V, For pullup: V <sub>IN</sub> = V <sub>SS</sub> , For pulldown: V <sub>IN</sub> = V <sub>DDB</sub> for port P1	30	35	40	kΩ
R <sub>RST</sub>	Pullup on RST/NMI		30	35	40	kΩ
R <sub>EXT</sub>	External pullup resistor on RST terminal (optional)			47		kΩ
C <sub>EXT</sub>	External capacitor on RST terminal			10		nF

- (1) The maximum total current I<sub>OH</sub>, for all outputs combined should not exceed 500 μA to hold the maximum voltage drop specified, limited by low leakage switches.
- (2) The maximum total current I<sub>OL</sub>, for all outputs combined should not exceed 500 μA to hold the maximum voltage drop specified.
- (3) An external signal sets the interrupt flag every time the minimum interrupt pulse duration t<sub>INT</sub> is met.

## 5.8 High-Frequency Oscillator (4 MHz), HFOSC

over recommended ranges of supply voltage and operating free-air temperature (unless otherwise noted)

PARAMETER	TEST CONDITIONS	MIN	TYP	MAX	UNIT
f <sub>HFOSC</sub>	±20%	3.04	3.8	4.56	MHz
Duty cycle		45%	50%	55%	
t <sub>START</sub>			1		μs

## 5.9 Low-Frequency Oscillator (256 kHz), LFOSC

over recommended ranges of supply voltage and operating free-air temperature (unless otherwise noted)

PARAMETER	TEST CONDITIONS	MIN	TYP	MAX	UNIT
f <sub>LFO</sub>	trimmed ±5%	243	256	269	kHz
Duty cycle		45%	50%	55%	
t <sub>START</sub>				11	μs

## 5.10 Wake-Up From Low-Power Modes

over recommended ranges of supply voltage and operating free-air temperature (unless otherwise noted)

PARAMETER		TEST CONDITIONS	V <sub>DDB</sub>	MIN	TYP	MAX	UNIT
t <sub>WAKE-UP LPM0</sub>	Wake-up time from LPM0 to active mode <sup>(1)</sup>		1.5 V		3.2	6	μs
t <sub>WAKE-UP LPM34</sub>	Wake-up time from LPM3 or LPM4 to active mode <sup>(1)</sup>		1.5 V		160	260	μs
t <sub>WAKE-UP RESET</sub>	Wake-up time from $\overline{\text{RST}}$ to active mode. <sup>(2)</sup>	V <sub>DDB</sub> stable	1.5 V		210	310	μs

(1) The wake-up time is measured from the edge of an external wake-up signal (for example, port interrupt or wake-up event) until the first instruction of the user program is fetched. This time includes the activation of the FRAM during wake-up. f<sub>MCLK</sub> = 2 MHz.

(2) The wake-up time is measured from the rising edge of the  $\overline{\text{RST}}$  signal until the first instruction of the user program is fetched. This time includes the activation of the FRAM during wake-up. f<sub>MCLK</sub> = 2 MHz.

## 5.11 Timer\_A

over recommended ranges of supply voltage and operating free-air temperature (unless otherwise noted)

PARAMETER		TEST CONDITIONS	V <sub>DDB</sub>	MIN	TYP	MAX	UNIT
f <sub>TA</sub>	Timer_A input clock frequency	Internal: SMCLK, ACLK External: TACLK Duty cycle = 50% ± 10%	1.5 V			4	MHz
t <sub>TA,cap</sub>	Timer_A capture timing	All capture inputs, Minimum pulse duration required for capture	1.5 V	20			ns

## 5.12 eUSCI (SPI Master Mode) Recommended Operating Conditions

PARAMETER		CONDITIONS	V <sub>DDB</sub>	MIN	TYP	MAX	UNIT
f <sub>eUSCI</sub>	eUSCI input clock frequency	Internal: SMCLK, ACLK Duty cycle = 50% ± 10%	1.5 V			f <sub>SYSTEM</sub>	MHz

## 5.13 eUSCI (SPI Master Mode)

over recommended ranges of supply voltage and operating free-air temperature (unless otherwise noted)<sup>(1)</sup>

PARAMETER		TEST CONDITIONS	V <sub>DDB</sub>	MIN	TYP	MAX	UNIT
t <sub>STE,LEAD</sub>	STE lead time, STE active to clock	UCSTEM = 0, UCMODEx = 01 or 10	1.5 V	1			UCxCLK cycles
		UCSTEM = 1, UCMODEx = 01 or 10	1.5 V	1			
t <sub>STE,LAG</sub>	STE lag time, Last clock to STE inactive	UCSTEM = 0, UCMODEx = 01 or 10	1.5 V	1			UCxCLK cycles
		UCSTEM = 1, UCMODEx = 01 or 10	1.5 V	1			
t <sub>STE,ACC</sub>	STE access time, STE active to SIMO data out	UCSTEM = 0, UCMODEx = 01 or 10	1.5 V			55	ns
		UCSTEM = 1, UCMODEx = 01 or 10	1.5 V			35	
t <sub>STE,DIS</sub>	STE disable time, STE inactive to SIMO high impedance	UCSTEM = 0, UCMODEx = 01 or 10	1.5 V			40	ns
		UCSTEM = 1, UCMODEx = 01 or 10	1.5 V			30	
t <sub>SU,MI</sub>	SOMI input data setup time		1.5 V	35			ns
t <sub>HD,MI</sub>	SOMI input data hold time		1.5 V	0			ns
t <sub>VALID,MO</sub>	SIMO output data valid time <sup>(2)</sup>	UCLK edge to SIMO valid, C <sub>L</sub> = 20 pF	1.5 V			30	ns
t <sub>HD,MO</sub>	SIMO output data hold time <sup>(3)</sup>	C <sub>L</sub> = 20 pF	1.5 V	0			ns

(1)  $f_{UCxCLK} = 1/2t_{LO/HI}$  with  $t_{LO/HI} = \max(t_{VALID,MO}(eUSCI) + t_{SU,SI}(Slave), t_{SU,MI}(eUSCI) + t_{VALID,SO}(Slave))$ .

For the slave's parameters  $t_{SU,SI}(Slave)$  and  $t_{VALID,SO}(Slave)$  see the SPI parameters of the attached slave.

(2) Specifies the time to drive the next valid data to the SIMO output after the output changing UCLK clock edge. See the timing diagrams in [Figure 5-1](#) and [Figure 5-2](#).

(3) Specifies how long data on the SIMO output is valid after the output changing UCLK clock edge. Negative values indicate that the data on the SIMO output can become invalid before the output changing clock edge observed on UCLK. See the timing diagrams in [Figure 5-1](#) and [Figure 5-2](#).

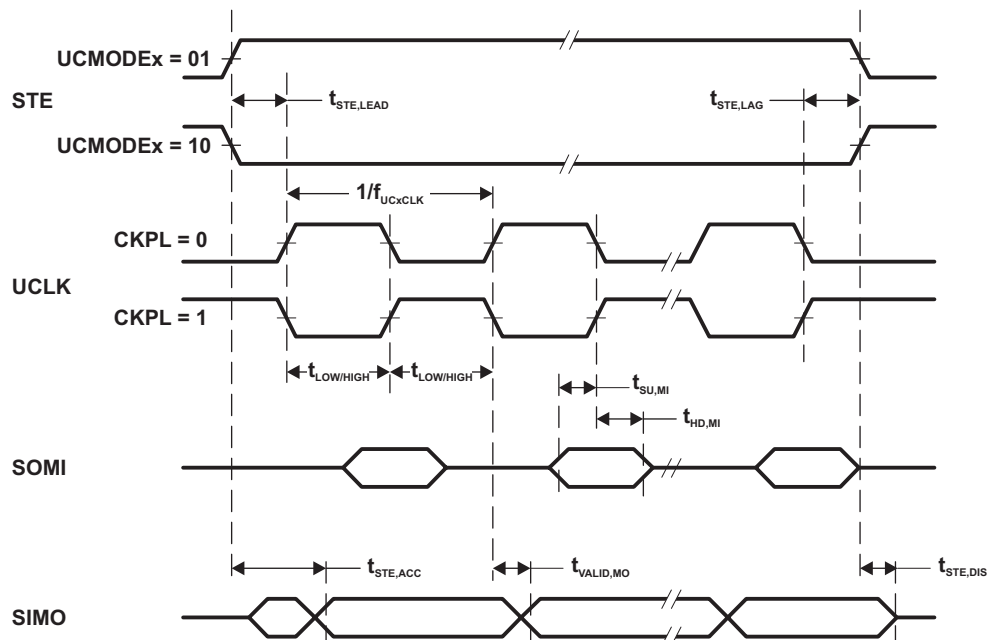


Figure 5-1. SPI Master Mode, CKPH = 0

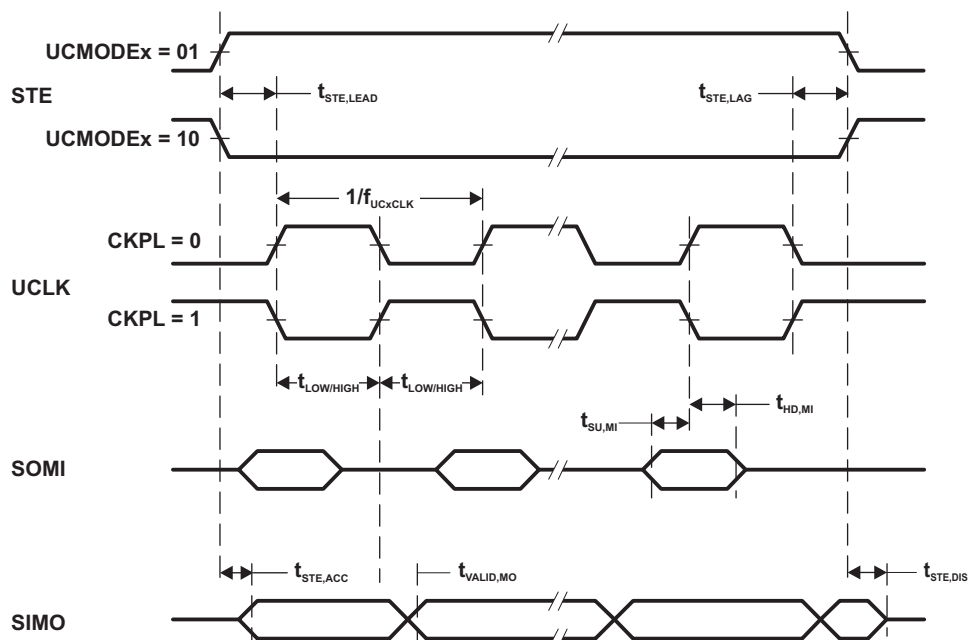


Figure 5-2. SPI Master Mode, CKPH = 1

## 5.14 eUSCI (SPI Slave Mode)

over recommended ranges of supply voltage and operating free-air temperature (unless otherwise noted)<sup>(1)</sup>

PARAMETER		TEST CONDITIONS	V <sub>DDB</sub>	MIN	TYP	MAX	UNIT
t <sub>STE,LEAD</sub>	STE lead time, STE active to clock		1.5 V	7			ns
t <sub>STE,LAG</sub>	STE lag time, Last clock to STE inactive		1.5 V	0			ns
t <sub>STE,ACC</sub>	STE access time, STE active to SOMI data out		1.5 V			65	ns
t <sub>STE,DIS</sub>	STE disable time, STE inactive to SOMI high impedance		1.5 V			40	ns
t <sub>SU,SI</sub>	SIMO input data setup time		1.5 V	2			ns
t <sub>HD,SI</sub>	SIMO input data hold time		1.5 V	5			ns
t <sub>VALID,SO</sub>	SOMI output data valid time <sup>(2)</sup>	UCLK edge to SOMI valid, C <sub>L</sub> = 20 pF	1.5 V			30	ns
t <sub>HD,SO</sub>	SOMI output data hold time <sup>(3)</sup>	C <sub>L</sub> = 20 pF	1.5 V	4			ns

(1)  $f_{UCxCLK} = 1/2t_{LO/HI}$  with  $t_{LO/HI} \geq \max(t_{VALID,MO(Master)} + t_{SU,SI(eUSCI)}, t_{SU,MI(Master)} + t_{VALID,SO(eUSCI)})$ .

For the master's parameters  $t_{SU,MI(Master)}$  and  $t_{VALID,MO(Master)}$  see the SPI parameters of the attached slave.

(2) Specifies the time to drive the next valid data to the SOMI output after the output changing UCLK clock edge. See the timing diagrams in [Figure 5-3](#) and [Figure 5-4](#).

(3) Specifies how long data on the SOMI output is valid after the output changing UCLK clock edge. See the timing diagrams in [Figure 5-3](#) and [Figure 5-4](#).



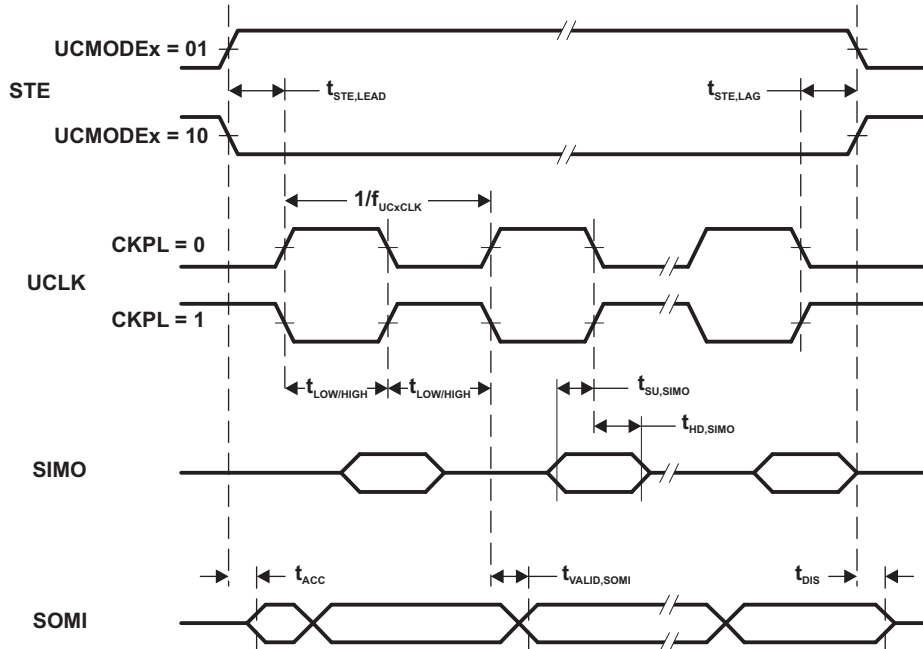


Figure 5-3. SPI Slave Mode, CKPH = 0

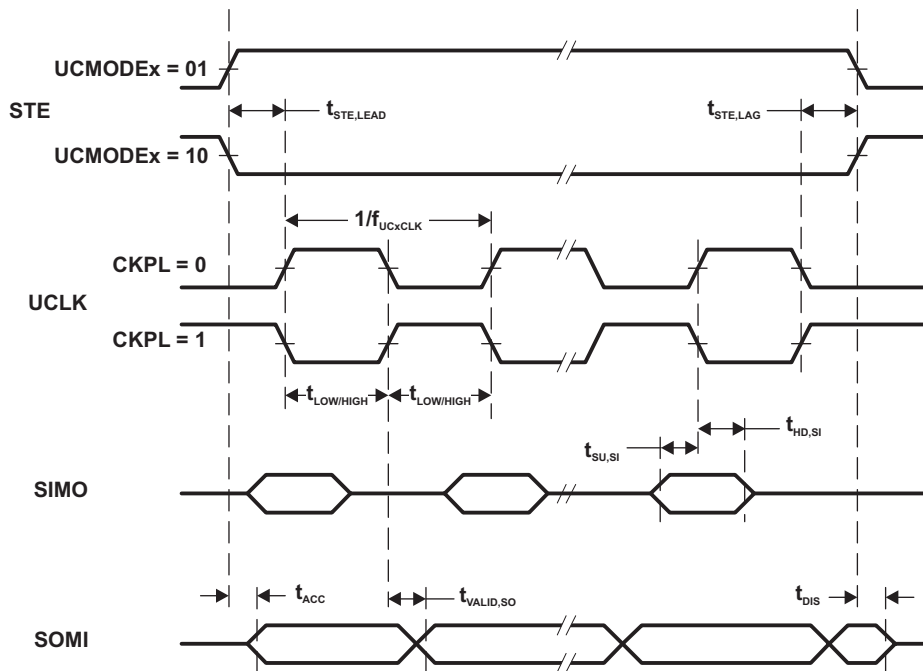


Figure 5-4. SPI Slave Mode, CKPH = 1

## 5.15 eUSCI (I<sup>2</sup>C Mode)

over recommended ranges of supply voltage and operating free-air temperature (unless otherwise noted) (see [Figure 5-5](#))

PARAMETER	TEST CONDITIONS	V <sub>DDB</sub>	MIN	TYP	MAX	UNIT
f <sub>eUSCI</sub>	eUSCI input clock frequency Internal: SMCLK, ACLK External: UCLK Duty cycle = 50% ± 10%			f <sub>SYSTEM</sub>		MHz
f <sub>SCL</sub>	SCL clock frequency	1.5 V	0		400	kHz
t <sub>HD,STA</sub>	Hold time (repeated) START	1.5 V	4.0			μs
	f <sub>SCL</sub> > 100 kHz		0.6			
t <sub>SU,STA</sub>	Setup time for a repeated START	1.5 V	4.7			μs
	f <sub>SCL</sub> > 100 kHz		0.6			
t <sub>HD,DAT</sub>	Data hold time	1.5 V	0			ns
t <sub>SU,DAT</sub>	Data setup time	1.5 V	250			ns
t <sub>SU,STO</sub>	Setup time for STOP	1.5 V	4.0			μs
	f <sub>SCL</sub> > 100 kHz		0.6			
t <sub>SP</sub>	Pulse duration of spikes suppressed by input filter	1.5 V	UCGLITx = 0		600	ns
			UCGLITx = 1	25	300	ns
			UCGLITx = 2	12.5	150	ns
			UCGLITx = 3	6.25	75	ns
t <sub>TIMEOUT</sub>	Clock low time-out	1.5 V	UCCLTOx = 1	27		ms
			UCCLTOx = 2	30		ms
			UCCLTOx = 3	33		ms

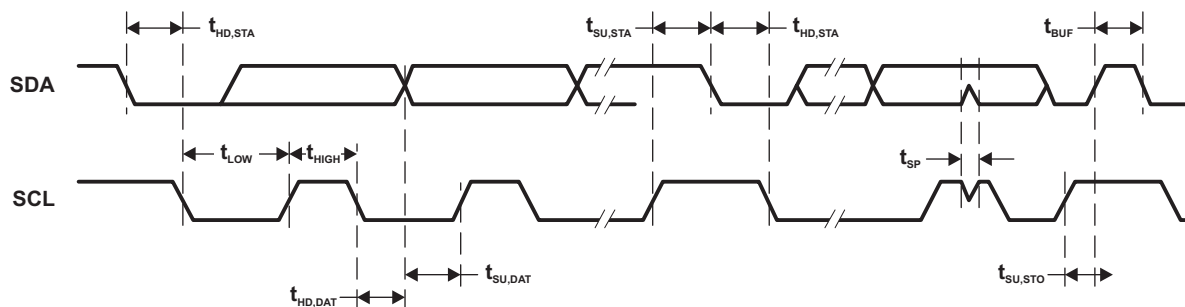


Figure 5-5. I<sup>2</sup>C Mode Timing

## 5.16 FRAM

over recommended ranges of supply voltage and operating free-air temperature (unless otherwise noted)

PARAMETER	TEST CONDITIONS	MIN	TYP	MAX	UNIT
t <sub>WRITE</sub>	Word or byte write time			125	ns
	Read/write endurance	10 <sup>15</sup>			cycles
t <sub>Retention</sub>	Data retention duration	T <sub>J</sub> = 25°C	10		years

## 5.17 JTAG

over recommended ranges of supply voltage and operating free-air temperature (unless otherwise noted)

PARAMETER	V <sub>DDB</sub>	MIN	TYP	MAX	UNIT
f <sub>TCK</sub>	1.5 V	0		4	MHz

(1) f<sub>TCK</sub> may be restricted to meet the timing requirements of the module selected.

## 5.18 RFPMM, Power Supply Switch

over recommended ranges of supply voltage and operating free-air temperature (unless otherwise noted)

PARAMETER		TEST CONDITIONS	MIN	TYP	MAX	UNIT
$V_{TH+}$	Positive going switching threshold $V_{TH+} = V_{DDB} - V_{DDR}$			35	60	mV
$V_{TH-}$	Negative going switching threshold $V_{TH-} = V_{DDB} - V_{DDR}$		-60	-35		mV
$V_{HYST}$	Switching voltage hysteresis $V_{HYST} = V_{TH+} - V_{TH-}$		30	70	110	mV
$I_{BASVBAT}$	$V_{DDB}$ input leakage current	$V_{DDB} = 1.65$ V, Battery switch open			20	nA
$V_{DROP}$	$V_{DROP} = V_{DDB} - V_{DDSW}^{(1)}$				50	mV

(1) Battery switch closed. Current = 400  $\mu$ A

## 5.19 RFPMM, Bandgap Reference

over recommended ranges of supply voltage and operating free-air temperature (unless otherwise noted)

PARAMETER		TEST CONDITIONS	MIN	TYP	MAX	UNIT
$V_{REF}$	Output voltage	$V_{DDSW} = 1.4$ V to 1.65 V	892		908	mV

## 5.20 RFPMM, Voltage Doubler

over recommended ranges of supply voltage and operating free-air temperature (unless otherwise noted)

PARAMETER		TEST CONDITIONS	MIN	TYP	MAX	UNIT
$V_{DD2X}$	Output voltage	$V_{DDSW} = 1.4$ V, $I_{DD2X} = 1$ $\mu$ A, cont = 0		$2 \times V_{DDSW} - 74$ mV		mV
$V_{DD2X}$	Output voltage	$V_{DDSW} = 1.4$ V, $I_{DD2X} = 100$ $\mu$ A, cont = 1		$2 \times V_{DDSW} - 104$ mV		mV

## 5.21 RFPMM, Voltage Supervision

over recommended ranges of supply voltage and operating free-air temperature (unless otherwise noted)

PARAMETER		$V_{DDSW}$	MIN	TYP	MAX	UNIT
$V_{DDBTH+}$	Positive threshold	1.5 V		1.45		V
$V_{DDBTH-}$	Negative threshold	1.5 V		1.40		V
$V_{DDSWTH+}$	Positive threshold			1.40		V
$V_{DDSWTH-}$	Negative threshold			1.35		V
$V_{DDDTH+}$	Positive threshold	1.5 V		1.00		V
$V_{DDDTH-}$	Negative threshold	1.5 V		0.90		V
$V_{DD2XTH+}$	Positive threshold	1.5 V		2.70		V
$V_{DD2XTH-}$	Negative threshold	1.5 V		2.475		V

## 5.22 SD14, Performance

over recommended ranges of supply voltage and operating free-air temperature (unless otherwise noted)

PARAMETER		TEST CONDITIONS	MIN	NOM	MAX	UNIT
$f_M$	Modulator clock frequency	Internal LF oscillator as clock source for SD14 module		2		kHz
RES	Resolution		8		14	Bit
OSR	Oversampling ratio		40		2048	
B	Bandwidth of input signal				1	Hz
$V_I$	Input voltage range	$V_I = V_{ADCx} - V_{SVSS}$	0		$V_{REF}$	mV
$V_{offset}$	Offset error	Complete signal chain	-0.75		0.75	% of FSR <sup>(1)</sup>
$V_{GErr}$	Gain error <sup>(2)</sup>	complete signal chain	-2%		2%	
$\Delta E_G/\Delta T$	Gain error temperature coefficient. <sup>(3)</sup>	complete signal chain			100	ppm/K
$E_{Unadjusted}$	Total unadjusted error		-2		2	% of FSR <sup>(1)</sup>
$t_{Start}$	Startup time			20		CLK cycles

(1) FSR = Full Scale Range (SD14 pre-amplifier Gain PGA gain - SD14 gain =1) .

(2) The gain error  $E_G$  specifies the deviation of the actual gain  $G_{act}$  from the nominal gain  $G_{nom}$ :  $E_G = (G_{act} - G_{nom})/G_{nom}$ . It covers process, temperature and supply voltage variations.

(3) Not production tested.

## 5.23 SVSS Generator

over recommended ranges of supply voltage and operating free-air temperature (unless otherwise noted)

PARAMETER		TEST CONDITIONS	MIN	TYP	MAX	UNIT
$V_{SVSS}$	Output voltage	$I_{SVSS} = -5\mu A \dots 0\mu A$	80	125	165	mV
$t_{Settling}$	Settling time after switching SVSS on (95% of final voltage)	Switch from VIRTGND = 1 to VIRTGND = 0		400	1000	ms

## 5.24 Thermistor Bias Generator

over recommended ranges of supply voltage and operating free-air temperature (unless otherwise noted)

PARAMETER		TEST CONDITIONS	MIN	TYP	MAX	UNIT
$I_{OUT,TH}$	Output current	$V_{OUT} = 0$ to 0.7 V	2.0	2.4	3.0	$\mu$ A

## 5.25 Temperature Sensor

over recommended ranges of supply voltage and operating free-air temperature (unless otherwise noted)

PARAMETER		TEST CONDITIONS	MIN	TYP	MAX	UNIT
$t_c$	Temperature coefficient			35.7		LSB/K

## 5.26 RF13M, Power Supply and Recommended Operating Conditions

over recommended ranges of supply voltage and operating free-air temperature (unless otherwise noted)

PARAMETER		TEST CONDITIONS	MIN	TYP	MAX	UNIT
$V_{DDH}$	Antenna rectified voltage	$I_{DDH} = 100 \mu$ A	1.8	2	3.6	V
$C_{IN}$	Input capacitance	2 V RMS	31.5	35	38.5	pF

## 5.27 RF13M, ISO/IEC 15693 ASK Demodulator

over recommended ranges of supply voltage and operating free-air temperature (unless otherwise noted)

PARAMETER		TEST CONDITIONS	MIN	TYP	MAX	UNIT
$DR_{100}$	Input signal data rate 100% downlink modulation, 100% ASK, ISO/IEC 15693		6		26	kbps
$m_{100}$	Modulation depth 100%, test as defined in ISO10373		90%		100%	
$m_{10}$	Modulation depth 10%, test as defined in ISO10373		7%		30%	
$ t_{PLH} - t_{PHL} $	Delta propagation delay of RXD_10 to $V_{IN}$		0		2.35	$\mu$ s
$t_{PLH}, t_{PHL}$	Propagation delay of RXD_10 to $V_{IN}$		0		7.07	$\mu$ s
$t_{pd100}$	Propagation delay of RXD_100				7.07	$\mu$ s
$t_{D100}$	Minimum pulse duration of RxD_100		5			$\mu$ s

## 5.28 RF13M, ISO/IEC 15693 Compliant Load Modulator

over recommended ranges of supply voltage and operating free-air temperature (unless otherwise noted)

PARAMETER		TEST CONDITIONS	MIN	TYP	MAX	UNIT
$f_{PICC}$	Uplink subcarrier modulation frequency		0.2		1	MHz
$V_{A\_MOD}$	Modulated antenna voltage, $V_{A\_unmod} = 2,3$ V		0.5			V
$V_{SUB15}$	Uplink modulation subcarrier level, ISO/IEC 15693		10			mV

## 6 Detailed Description

### 6.1 CPU

The MSP430 CPU has a 16-Bit RISC architecture that is highly transparent to the application. All operations, other than program-flow instructions, are performed as register operations in conjunction with seven addressing modes for source operand and four addressing modes for destination operand.

The CPU is integrated with 16 registers that provide reduced instruction execution time. The register-to-register operation execution time is one cycle of the CPU clock.

Four of the registers, R0 to R3, are dedicated as program counter, stack pointer, status register, and constant generator respectively. The remaining registers are general-purpose registers.

Peripherals are connected to the CPU using data, address, and control buses, and can be handled with all instructions.

### 6.2 Instruction Set

The instruction set consists of the original 51 instructions with three formats and seven address modes. Each instruction can operate on word and byte data.

## 6.3 Operating Modes

The device has one active mode and three software selectable low-power modes of operation. An interrupt event can wake up the device from any of the three low-power modes, service the request, and restore back to the low-power mode on return from the interrupt program.

---

### NOTE

The software-selected low-power mode might not be reached if at least one module still requests a clock on MCLK, SMCLK, or ACLK. The CPU, however, remains off until an interrupt occurs.

---

The following operating modes can be configured by software:

- Active mode AM
  - CPU is enabled
  - All clocks are active.
- Low-power mode 0 (LPM0)
  - CPU is disabled
  - MCLK is disabled
  - SMCLK is active
  - ACLK is active
  - HFOSC is off, if not selected for SMCLK or ACLK
- Low-power mode 3 (LPM3)
  - CPU is disabled
  - MCLK is disabled
  - SMCLK is disabled
  - ACLK is active
  - HFOSC is off, if not selected for ACLK
- Low-power mode 4 (LPM4)
  - CPU is disabled
  - MCLK is disabled
  - SMCLK is disabled
  - ACLK is disabled
  - HFOSC is off, LFOSC is on

LPM1 is identical to LPM0, and LPM2 is identical to LPM3, because the SCG0 bit has no influence on HFOSC.

## 6.4 Interrupt Vector Addresses

The interrupt vectors and the power-up start address are located in the address range 0FFFFh to 0FFE0h. Address Range 0FFDFh to 0FFD0h is reserved for bootcode signatures. The vector contains the 16-bit address of the appropriate interrupt-handler instruction sequence.

**Table 6-1. Interrupt Sources, Flags, and Vectors**

INTERRUPT SOURCE	INTERRUPT FLAG	SYSTEM INTERRUPT	WORD ADDRESS	PRIORITY
<b>System Reset</b> Power-Up External Reset Watchdog	WDTIFG <sup>(1)</sup>	Reset	FFFEh	15, highest
<b>System NMI</b> Vacant memory access	SVMIFG, VMAIFG <sup>(1)</sup>	(Non)maskable	0FFFCCh	14
<b>User NMI</b> NMI	NMIIFG <sup>(1)(2)</sup>	(Non)maskable	0FFFAh	13
TimerA0_A3	TA0CCR0 CCIFG0 <sup>(3)</sup>	Maskable	0FFF8h	12
TimerA0_A3	TA0CCR1 CCIFG1 TA0CCR2 CCIFG2 TA0CTL TAIFGTA0IV <sup>(1)(3)</sup>	Maskable	0FFF6h	11
Watchdog, Interval Timer Mode	WDTIFG	Maskable	0FFF4h	10
RF13M Module	RF13MRXIFG, RF13MTXIFG, RF13MRXWMIFG, RF13MTXWMIFG, RF13MSLIFG, RF13MOUFLIFG, RF13MRXEIFG, RF13MIV <sub>x</sub> <sup>(1)(3)</sup>	Maskable	0FFF2h	9
eUSCIB	(SPI mode) UCB0RXIFG, UCB0TXIFG (I <sup>2</sup> C mode) UCB0ALIFG, UCB0NACKIFG, UCB0STTIFG, UCB0STPIFG, UCB0RXIFG3, UCB0TXIFG3, UCB0RXIFG2, UCB0TXIFG2, UCB0RXIFG1, UCB0TXIFG1, UCB0RXIFG0, UCB0TXIFG0, UCB0CNTIFG, UCB0CLTOIFG, UCB0BIT9IFG (SD14IV) <sup>(1)(3)</sup>	Maskable	0FFF0h	8
Sigma Delta ADC	SD14OVIFG, SD14IFG <sup>(1)(3)</sup>	Maskable	0FFEEh	7
I/O Port P1	P1IFG.0 to P1IFG.7 (P1IV) <sup>(1)(3)</sup>	Maskable	0FFECCh	6
RFPMM	RFPMMIFGV2X, RFPMMIFGVH, RFPMMIFGVR, RFPMMIFGVB, RFPMMIFGVF, RFPMMIV	Maskable	0FFEAh	5
Reserved	Reserved <sup>(4)</sup>		0FFE8h	4
			:	:
			0FFDCh	0

(1) Multiple source flags

(2) A reset is generated if the CPU tries to fetch instructions from within peripheral space or vacant memory space. (Non)maskable: the individual interrupt-enable bit can disable an interrupt event, but the general-interrupt enable cannot disable it.

(3) Interrupt flags are located in the module.

(4) Reserved interrupt vectors at these addresses are not used in this device and can be used for regular program code if necessary. To maintain compatibility with other devices, it is recommended to reserve these locations.



**Table 6-1. Interrupt Sources, Flags, and Vectors (continued)**

INTERRUPT SOURCE	INTERRUPT FLAG	SYSTEM INTERRUPT	WORD ADDRESS	PRIORITY
Signatures	CRC Value		0FFDAh	
	CRC Length		0FFD8h	
	Loader Signature 1		0FFD6h	
	Loader Signature 0		0FFD4h	
	JTAG Signature 1		0FFD2h	
	JTAG Signature 0		0FFD0h	

## 6.5 Memory

Table 6-2 shows the memory organization of the devices.

**Table 6-2. Memory Map RF430FRL152H, RF430FRL153H, RF430FRL154H**

	TYPE	RF430FRL152H RF430FRL153H RF430FRL154H Normal Mode	RF430FRL152H RF430FRL153H RF430FRL154H ROM Development Mode
Memory (FRAM) Main: interrupt vector	Total Size FRAM	2048 B = 2 KB 0FFFFh-0FFE0h	
Main: Code Memory	Bank A <sup>(1)(2)</sup>	512 B 0FFFFh-0FE00h	
	Bank B <sup>(1)</sup>	512 B 0FDFFh-0FC00h	
	Bank C <sup>(1)</sup>	512 B 0FBFFh-0FA00h	
	Bank D	448 B 0F9FFh-0F840h	
Boot Data (TLV)	Size FRAM	64 B 01A3Fh-01A00h	64 B 01A3Fh-01A00h
Application ROM	Size ROM	7168 B = 7 KB 05FFFh-04400h	3584 B = 3.5 KB 051FFh-04400h
ROM Development Memory	Size SRAM	- -	3584 B = 3.5 KB 02BFFh-01E00h
SRAM Memory	Size SRAM	4096 B = 4 KB 02BFFh-01C00h	512 B = 0.5 KB 01DFFh-01C00h
Peripherals	Size	4096 B = 4 KB 00FFFh-00000h	4096 B = 4 KB 00FFFh-00000h

(1) Write protectable. See also [Table 6-3](#)

(2) Address range includes interrupt vector.

### 6.5.1 FRAM

The FRAM can be programmed through the JTAG port or in-system by the CPU, data are received through RF, SPI or I<sup>2</sup>C Sensor Interface.

Features of the FRAM include:

- Low-power ultra-fast-write non-volatile memory
- Byte and word access capability
- Automated wait state generation

The following address ranges can be write protected by setting the corresponding bit in the SYSCNF register, see the *RF430FRL15xH Family Technical Reference Manual* ([SLAU506](#)).

**Table 6-3. Write Protectable FRAM Address Ranges**

BIT	Address Range
FRAMLCK2	512 B 0FFFFh-0FE00h
FRAMLCK1	512 B 0FDFFh-0FC00h
FRAMLCK0	512 B 0FBFFh-0FA00h

## 6.5.2 SRAM

The SRAM memory is made up of 8 sectors. Each sector can be completely powered down to save leakage; however, all data is lost. Features of the SRAM memory include:

- SRAM memory has 8 sectors of 512 B each.
- Each sector 0 to 8 can be complete disabled; however, data retention is lost.
- Each sector 0 to 8 automatically enters low-power retention mode when possible.

## 6.5.3 Application ROM

The Application ROM consists of four parts. The RF Library provides ISO/IEC 15693 functions necessary for operating the 13.65 MHz front end. The Function library holds the device and memory function used by the boot code and RF library. These functions are user accessible. The ROM contains the predefined application FW. The boot code checks the password and releases control to the application or enables JTAG on password match, enters LPM4 and waits for debug session, see the *RF430FRL15xH Firmware User's Guide* ([SLAU603](#)).

## 6.6 Peripherals

Peripherals are connected to the CPU through data, address, and control buses. All peripherals can be managed using all instructions. For complete module descriptions, see the *RF430FRL15xH Family Technical Reference Manual* ([SLAU506](#)).

### 6.6.1 Digital I/O, (P1.x)

There is one I/O port implemented, P1, with eight I/O lines RF430FRL15xH.

- All individual I/O bits are independently programmable.
- Any combination of input, output, and interrupt conditions is possible.
- Programmable pullup or pulldown resistor on all ports.
- Edge-selectable interrupt input capability for all ports on P1.
- Read and write access to port-control registers is supported by all instructions.

### 6.6.2 Versatile I/O Port P1

The versatile I/O ports P1 feature device dependent reset values. The reset values for the RF430FRL15xH devices are shown in [Table 6-4](#).

**Table 6-4. Versatile Port Reset Values**

PORT NUMBER	PxOUT	PxDIR	PxREN	PxSEL0	PxSEL1	RESET	PORTS ON	COMMENT
P1.0	0	0	0	0	0	PUC	yes	P1.0, input
P1.1	0	0	0	0	0	PUC	yes	P1.1, input
P1.2	0	0	0	0	0	PUC	yes	P1.2, input
P1.3	0	0	0	0	0	PUC	yes	P1.3, input
P1.4	1	0	1	1	1	PUC	yes	JTAG TCK, P1.4, input
P1.5	1	0	1	1	1	PUC	yes	JTAG TDI, P1.5, input
P1.6	0	0	0	1	1	PUC	yes	JTAG TDO, P1.6, output
P1.7	1	0	1	1	1	PUC	yes	JTAG TMS, P1.7, input

### 6.6.3 Oscillator and System Clock

The clock system in the RF430FRL15xH devices is supported by the Compact Clock System (CCS) module that includes support for an internal trimmable 256-kHz current-controlled low-frequency oscillator (LFOSC) and an internal 4-MHz current-controlled high-frequency oscillator (HFOSC).

The CCS module is designed to meet the requirements of both low system cost and low power consumption. The CCS provides a fast turn-on of the oscillators in less than 1 ms. The CCS module provides the following clock signals:

- Auxiliary clock (ACLK), sourced from the 256-kHz internal LFOSC.
- Main clock (MCLK), the system clock used by the CPU. MCLK can be sourced by same sources made available to ACLK.
- Sub-Main clock (SMCLK), the subsystem clock used by the peripheral modules. SMCLK can be sourced by same sources made available to ACLK.

#### 6.6.4 Compact System Module (C-SYS\_A)

The Compact SYS module handles many of the system functions within the device. These include power-on reset and power-up clear handling, NMI source selection and management, reset interrupt vector generators, as well as, configuration management. It also includes a data exchange mechanism through JTAG called a JTAG mailbox that can be used in the application.

**Table 6-5. System Module Interrupt Vector Registers**

INTERRUPT VECTOR REGISTER	INTERRUPT VECTOR	WORD ADDRESS	OFFSET	PRIORITY
SYSRSTIV, System Reset	No interrupt pending	019Eh	00h	
	Brownout (BOR)		02h	Highest
	SVBOR (BOR)		04h	
	RST/NMI (BOR)		06h	
	DoBOR (BOR)		08h	
	Security violation (BOR)		0Ah	
	DoPOR (POR)		0Ch	
	WDT time-out (PUC)		0Eh	
	WDT key violation (PUC)		10h	
	CCS key violation		12h	
	PMM key violation		14h	
	Peripheral area fetch (PUC)		16h	
	Reserved		18h-3Eh	Lowest
SYSSNIV, System NMI	No interrupt pending	019Ch	00h	
	SVMIFG		02h	Highest
	VMAIFG		04h	
	JMBINIFG		06h	
	JMBOUTIFG		08h	
	Reserved		0Ah-3Eh	Lowest
SYSUNIV, User NMI	No interrupt pending	019Ah	00h	
	NMIFG		02h	Highest
	OFIFG		04h	
	BERR		06h	
	Reserved		08h-3Eh	Lowest
SYSBERRIV, Bus Error	No interrupt pending	0198h	00h	
	Reserved		02h-3Eh	Lowest

#### 6.6.5 Watchdog Timer (WDT\_A)

The primary function of the watchdog timer (WDT\_A) module is to perform a controlled system restart after a software problem occurs. If the selected time interval expires, a system reset is generated. If the watchdog function is not needed in an application, the module can be configured as an interval timer and can generate interrupts at selected time intervals.

### 6.6.6 Reset, NMI, SVMOUT System

The reset system of the RF430FRL15xH devices features the function reset input, reset output, and NMI input.

### 6.6.7 Timer\_A (Timer0\_A3)

Timer\_A is a 16-bit timer/counter with three capture/compare registers. Timer\_A can support multiple capture/compares, PWM outputs, and interval timing. Timer\_A also has extensive interrupt capabilities. Interrupts may be generated from the counter on overflow conditions and from each of the capture/compare registers.

**Table 6-6. Timer0\_A3 Signal Connections**

INPUT PIN NUMBER	DEVICE INPUT SIGNAL	MODUL INPUT SIGNAL	MODULE BLOCK	MODULE OUTPUT SIGNAL	DEVICE OUTPUT SIGNAL	OUTPUT PIN NUMBER
8 – P1.3	TA0CLK	TACLK	Timer	NA	NA	
	ACLK (internal)	ACLK				
	SMCLK (internal)	SMCLK				
	TA0CLK	$\overline{TACLK}$				
12 – P1.0	TA0.0	CCI0A	CCR0	TA0	TA0.0	9 – P1.2
11 – P1.1	TA0.0	CCI0B				20 – P1.6
	V <sub>SS</sub>	GND				19 – P1.7
	V <sub>DDB</sub>	V <sub>CC</sub>				
22 – P1.4	TA0.1	CCI1A	CCR1	TA1	TA0.1	12 – P1.0
21 – P1.5	TA0.1	CCI1B				22 – P1.4
	V <sub>SS</sub>	GND				19 – P1.7
	V <sub>DDB</sub>	V <sub>CC</sub>				
20 – P1.6	TA0.2	CCI2A	CCR2	TA2	TA0.2	11 – P1.1
19 – P1.7	TA0.2	CCI2B				8 – P1.3
	V <sub>SS</sub>	GND				21 – P1.5
	V <sub>DDB</sub>	V <sub>CC</sub>				20 – P1.6

### 6.6.8 Enhanced Universal Serial Communication Interface (eUSCI\_B0)

The eUSCI\_B0 module is used for serial data communication. The eUSCI module supports synchronous communication protocols such as SPI (3 pin or 4 pin) and I<sup>2</sup>C.

The eUSCI\_B0 module provides support for SPI (3 pin or 4 pin) or I<sup>2</sup>C.

### 6.6.9 ISO/IEC 15693 Analog Front End (RF13M)

The ISO/IEC 15693 module supports contact-less communication over the analog front end according to ISO/IEC 15693 with data rates up to 26.48 kbps for receive and 26.48 kbps for transmit. It includes decode of receive data and encode of transmit data, both synchronous with the AFE carrier clock.

### 6.6.10 ISO/IEC 15693 Decoder/Encoder (RF13M)

The module interfaces directly to the analog front end to ensure correct timing for transmit and receive of data derived from the 13.56-MHz carrier frequency.

### 6.6.11 CRC16 Module (CRC16)

The CRC16 module produces a signature based on a sequence of entered data values and can be used for data

checking purposes. The CRC16 module is compliant with ISO/IEC 13239, it is 16 bits long, polynomial is:  $x^{16} + x^{12} + x^5 + 1$ , direction is backward, and preset is 0xFFFF. For more information see ISO/IEC 13239.

### 6.6.12 14-Bit Sigma-Delta ADC (SD14)

A sigma-delta modulator is provided for high resolution analog-to-digital conversion of quasi-dc voltages:

- First-order integrator, 1-bit comparator, 1-bit DAC
- Sampling frequency of up to 2 kHz
- Fully differential

### 6.6.13 Programmable Gain Amplifier (SD14)

The PGA features a very high-impedance input and a programmable gain combined with full offset compensation, very low offset drift, and low noise.

### 6.6.14 Peripheral Register Map

**Table 6-7. Peripheral Register Map**

MODULE NAME	REGISTER DESCRIPTION	REGISTER	BASE ADDRESS	OFFSET
RF13M	RF13M RX/TX High/Low Watermark Configuration Register	RF13MWMCFG	0800h	0Eh
	RF13M RX/TX FIFO Fill Level register	RF13MFIFOFL		0Ch
	RF13M CRC accumulator Register	RF13MCRC		0Ah
	RF13M Transmit Data FIFO Register	RF13MTXF		08h
	RF13M Receive Data FIFO Register	RF13MRXF		06h
	RF13M Interrupt Vector Register	RF13MIV		04h
	RF13M Interrupt Register	RF13MINT		02h
	RF13M Control Register	RF13MCTL		00h
SD14	SD14 Interrupt Vector Register	SD14IV	0700h	0Ch
	SD14 Intermediate Conversion Result Register	SD14MEM3		0Ah
	SD14 Intermediate Conversion Result Register	SD14MEM2		08h
	SD14 Intermediate Conversion Result Register	SD14MEM1		06h
	SD14 Conversion Result	SD14MEM0		04h
	SD14 Control Register 1	SD14CTL1		02h
	SD14 Control Register 0	SD14CTL0		00h
eUSCI_B0	Interrupt Vector Word Register	UCB0IV	0640h	2Eh
	Interrupt Flags Register	UCB0IFG		2Ch
	Interrupt Enable Register	UCB0IE		2Ah
	I2C Slave Address Register	UCB0I2CSA		20h
	Address Mask Register	UCB0ADDMASK		1Eh
	Received Address Register	UCB0ADDRX		1Ch
	I2C Own Address 3 Register	UCB0I2COA3		1Ah
	I2C Own Address 2 Register	UCB0I2COA2		18h
	I2C Own Address 1 Register	UCB0I2COA1		16h
	I2C Own Address 0 Register	UCB0I2COA0		14h
	Transmit Buffer Register	UCB0TXBUF		0Eh
	Receive Buffer Register	UCB0RXBUF		0Ch
	Byte Counter Threshold Register	UCB0TBCNT		0Ah
	Status Word Register	UCB0STATW		08h
	Bit Rate 1 Register	UCB0BR1		07h
	Bit Rate 0 Register	UCB0BR0		06h
	Control Word 1 Register	UCB0CTLW1		02h
Control Word 0 Register	UCB0CTLW0	00h		

**Table 6-7. Peripheral Register Map (continued)**

MODULE NAME	REGISTER DESCRIPTION	REGISTER	BASE ADDRESS	OFFSET
Timer0_A3	Timer0_A Interrupt Vector Register	TA0IV	0340h	2Eh
	Capture/Compare Register 2	TA0CCR2		16h
	Capture/Compare Register 1	TA0CCR1		14h
	Capture/Compare Register 0	TA0CCR0		12h
	Timer0_A Counter Register	TA0R		10h
	Capture/Compare Control 2 Register	TA0CCTL2		06h
	Capture/Compare Control 1 Register	TA0CCTL1		04h
	Capture/Compare Control 0 Register	TA0CCTL0		02h
	Timer0_A Control Register	TA0CTL		00h
Port P1	Port P1 Interrupt Flag Register	P1IFG	0200h	1Ch
	Port P1 Interrupt Enable Register	P1IE		1Ah
	Port P1 Interrupt Edge Select Register	P1IES		18h
	Port P1 Interrupt Vector Word Register	P1IV		0Eh
	Port P1 Selection 1 Register	P1SEL1		0Ch
	Port P1 Selection 0 Register	P1SEL0		0Ah
	Port P1 Pullup/Pulldown Enable Register	P1REN		06h
	Port P1 Direction Register	P1DIR		04h
	Port P1 Outout Register	P1OUT		02h
	Port P1 Input Register	P1IN		00h
	CSYS_A	Reset Vector Generator Register		SYSRSTIV
System NMI Vector Generator Register		SYSSNIV	1Ch	
User NMI Vector Generator Register		SYSUNIV	1Ah	
Bus Error Vector Generator Register		SYSBERRIV	18h	
System Configuration Actuator 0 Register		SYSCA0	14h	
System Configuration Register		SYSCNF	10h	
JTAG Mailbox Output Register 1		SYSJMB01	0Eh	
JTAG Mailbox Output Register 0		SYSJMB00	0Ch	
JTAG Mailbox Input Register 1		SYSJMBI1	0Ah	
JTAG Mailbox Input Register 0		SYSJMBI0	08h	
JTAG Mailbox Control Register		SYSJMBC	06h	
System Control Register		SYSCTL	00h	
CCS	CCS Control 8 Register	CCSCTL8	0160h	10h
	CCS Control 7 Register	CCSCTL7		0Eh
	CCS Control 6 Register	CCSCTL6		0Ch
	CCS Control 5 Register	CCSCTL5		0Ah
	CCS Control 4 Register	CCSCTL4		08h
	CCS Control 1 Register	CCSCTL1		02h
	CCS Control 0 Register	CCSCTL0		00h
WDT_A, CRC	Watchdog Timer Control Register	WDTCTL	0150h	0Ch
	CRC Result Reverse Register	CRCRESR		06h
	CRC Initialization and Result Register	CRCINIRES		04h
	CRC Data In Reverse Byte Register	CRCDIRB		02h
	CRC Data In Register	CRCDI		00h
FRAM Control	General Control 1 Register	GCCTL1	0140h	06h
	General Control 0 Register	GCCTL0		04h
	FRAM Control 0 Register	FRCTL0		00h

**Table 6-7. Peripheral Register Map (continued)**

MODULE NAME	REGISTER DESCRIPTION	REGISTER	BASE ADDRESS	OFFSET
RFPMM	RFPMM Interrupt Vector Register	RFPMMIV	0120h	08h
	RFPMM Interrupt Flag Register	RFPMMIFG		06h
	RFPMM Interrupt Enable Register	RFPMMIE		04h
	RFPMM Control Register 1	RFPMMCTL1		02h
	RFPMM Control Register 0	RFPMMCTL0		00h
Special Functions	SFR Reset Pin Control Register	SFRRPCR	0100h	04h
	SFR Interrupt Flag Register	SFRIFG1		02h
	SFR Interrupt Enable Register	SFRIE1		00h



## 6.7 Port Schematics

### 6.7.1 Port P1.0 Input/Output

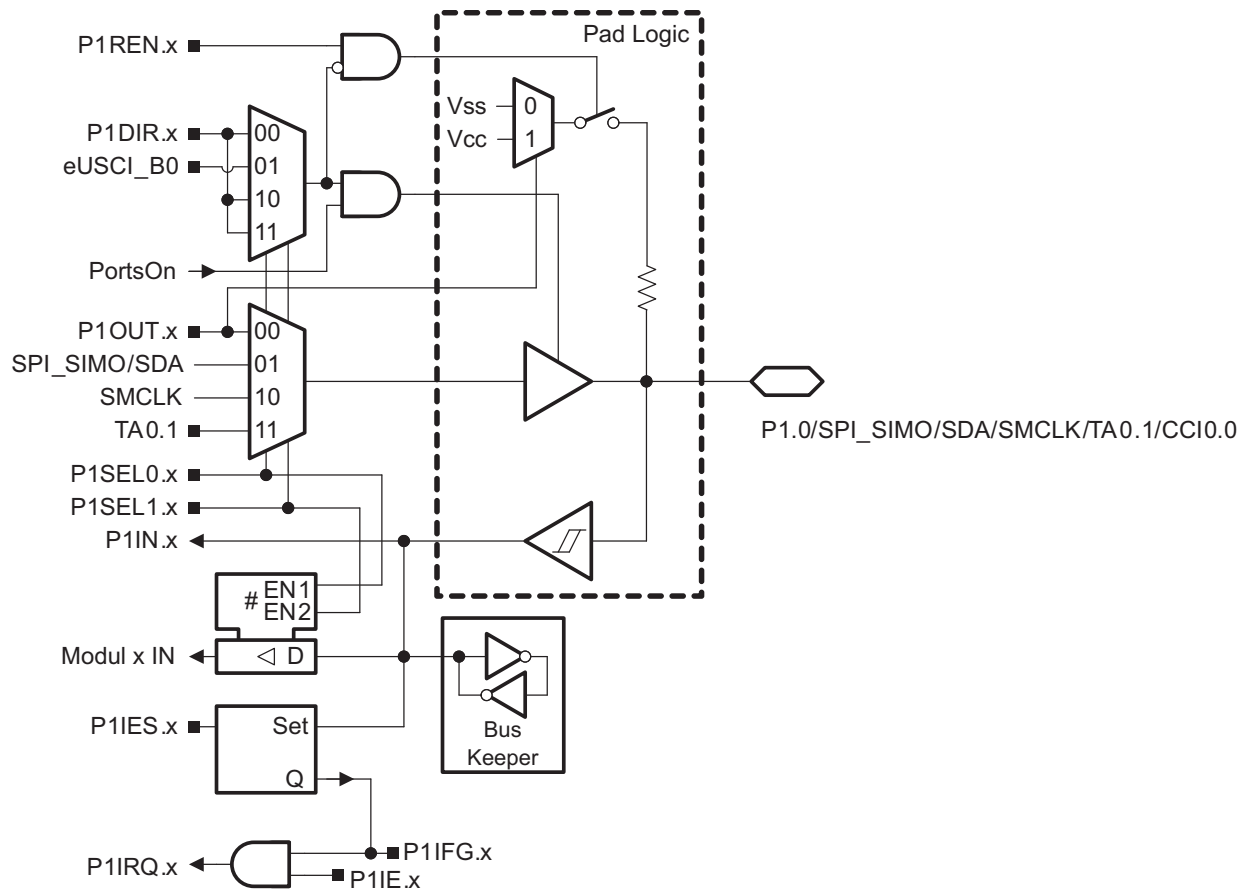


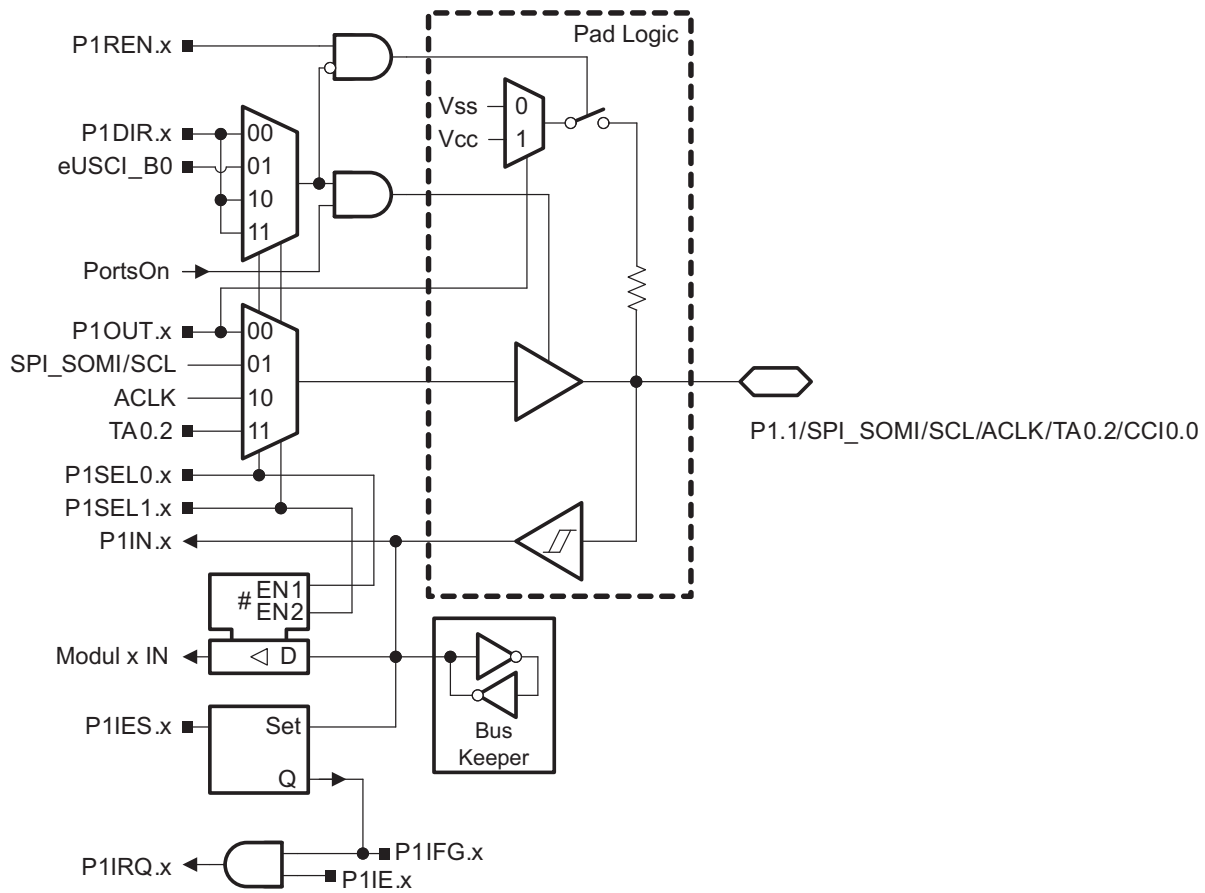
Table 6-8. Port P1.0 Pin Functions

PIN NAME (P1.x)	x	FUNCTION	CONTROL BITS OR SIGNALS <sup>(1)</sup>			
			P1DIR.x	P1SEL1.x	P1SEL0.x	RSELx/ ASELx
P1.0/SPI_SIMO/SDA/SMCLK/TA0.1/CCI0.0	0	P1.0 (I/O)	I:0; O:1	0	0	0
		SPI_SIMO/SDA <sup>(2)</sup>	1	0	1	0
		SMCLK	1	1	0	0
		TA0.1	1	1	1	0
		Timer A0, CCI0A	0	≠0	≠0	X

(1) X = Don't care

(2) Module controls direction of port, depending on whether RF430 device is master or slave.

### 6.7.2 Port P1.1 Input/Output



**Table 6-9. Port P1.1 Pin Functions**

PIN NAME (P1.x)	x	FUNCTION	CONTROL BITS OR SIGNALS <sup>(1)</sup>			
			P1DIR.x	P1SEL1.x	P1SEL0.x	RSELx/ASE Lx
P1.1/SPI_SOMI/SCL/ACLK/TA0.2/CCI0.0	1	P1.1 (I/O)	I:0; O:1	0	0	0
		SPI_SOMI/SCL <sup>(2)</sup>	1	0	1	0
		ACLK	1	1	0	0
		TA0.2	1	1	1	0
		Timer A1, CCI0B	0	≠0	≠0	X

(1) X = Don't care

(2) Module controls direction of port, depending on whether RF430 device is master or slave.

6.7.3 Port P1.2 Input/Output

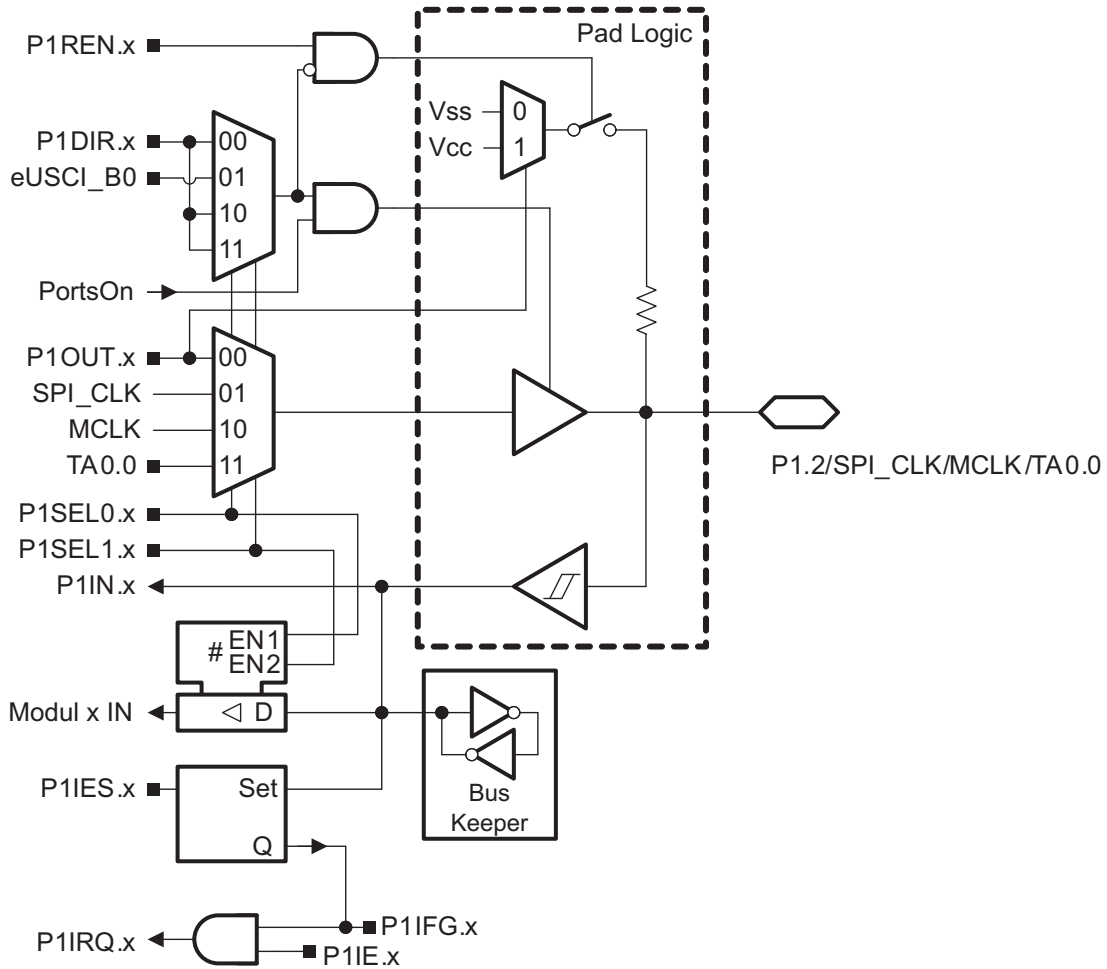


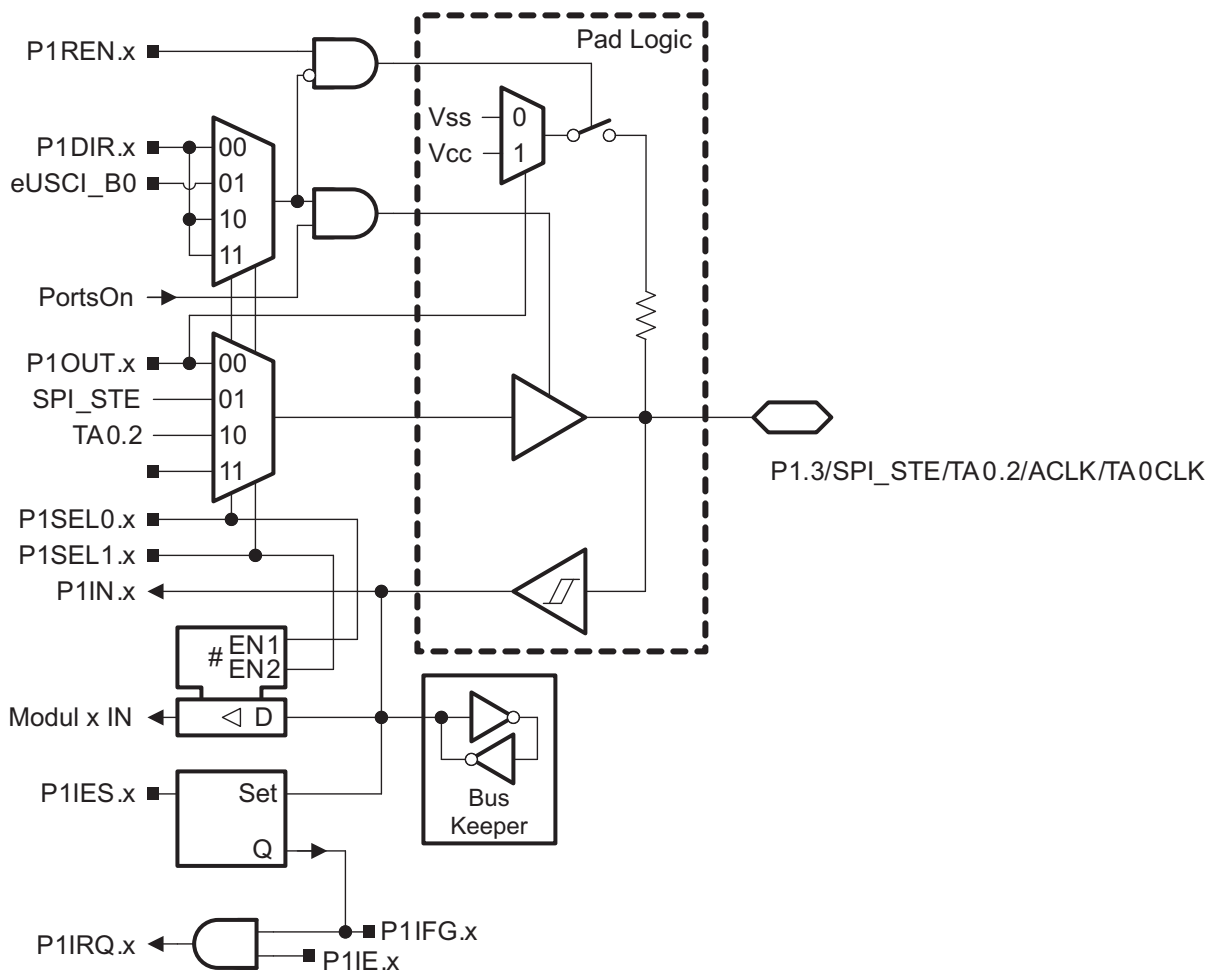
Table 6-10. Port P1 (P1.2) Pin Functions

PIN NAME (P1.x)	x	FUNCTION	CONTROL BITS OR SIGNALS <sup>(1)</sup>			
			P1DIR.x	P1SEL1.x	P1SEL0.x	RSELx/ASEL <sub>x</sub>
P1.2/SPI_CLK/MCLK/TA0.0	2	P1.2 (I/O)	I:0; O:1	0	0	0
		SPI_CLK <sup>(2)</sup>	1	0	1	0
		MCLK	1	1	0	0
		TA0.0	1	1	1	0

(1) X = Don't care

(2) Module controls direction of port, depending on whether RF430 device is master or slave.

### 6.7.4 Port P1.3 Input/Output



**Table 6-11. Port P1 (P1.3) Pin Functions**

PIN NAME (P1.x)	x	FUNCTION	CONTROL BITS OR SIGNALS <sup>(1)</sup>			
			P1DIR.x	P1SEL1.x	P1SEL0.x	RSELx/ASE Lx
P1.3/SPI_STE/TA0.2/ACLK/TA0CLK	3	P1.3 (I/O)	I:0; O:1	0	0	0
		SPI_STE <sup>(2)</sup>	1	0	1	0
		TA0.2	1	1	0	0
		ACLK	1	1	1	0
		TA0CLK	X	≠0	≠0	X

(1) X = Don't care

(2) Module controls direction of port, depending on whether RF430 device is master or slave.

### 6.7.5 Port P1.4 Input/Output

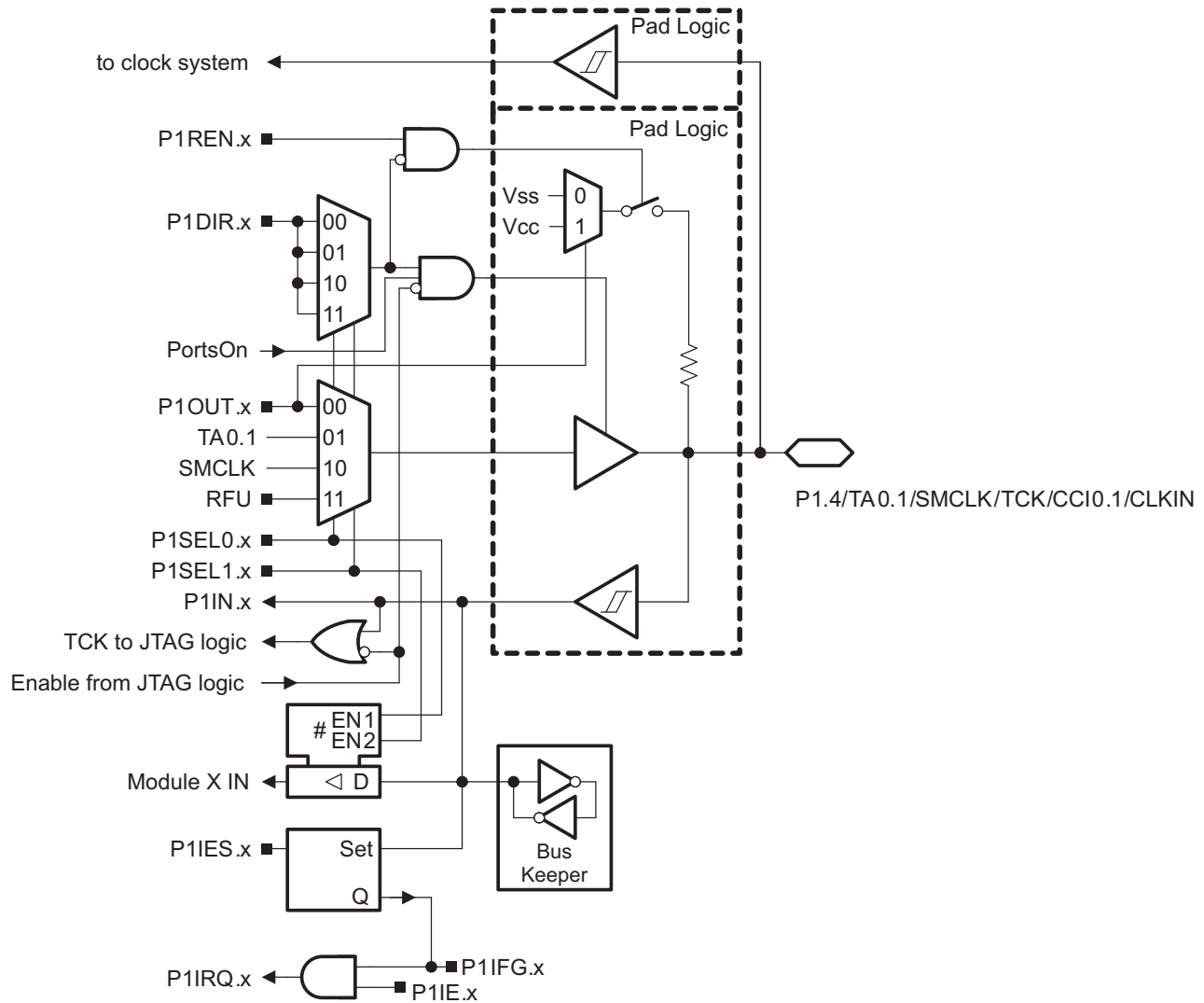


Table 6-12. Port P1.4 Pin Functions

PIN NAME (P1.x)	x	FUNCTION	CONTROL BITS OR SIGNALS <sup>(1)</sup>			
			P1DIR.x	P1SEL1.x	P1SEL0.x	JTAG Mode
TCK/P1.4/TA0.1/SMCLK/CCI0.1	4	P1.4 (I/O)	I:0; O:1	0	0	0
		Timer_A0.1	1	0	1	0
		SMCLK	1	1	0	0
		Reserved	1	1	1	0
		Timer_A0.CCI1A	0	≠0	≠0	0
		JTAG-TCK <sup>(2)(3)(4)</sup>	X	X	X	1
		CLKIN from bypass	X	X	X	0

- (1) X = Don't care
- (2) JTAG signals TMS, TCK, and TDI read as 1 when not configured as explicit JTAG terminals.
- (3) JTAG overrides digital output control when configured as explicit JTAG terminals.
- (4) JTAG function with enabled pullup resistors is default after power up.

### 6.7.6 Port P1.5 Input/Output

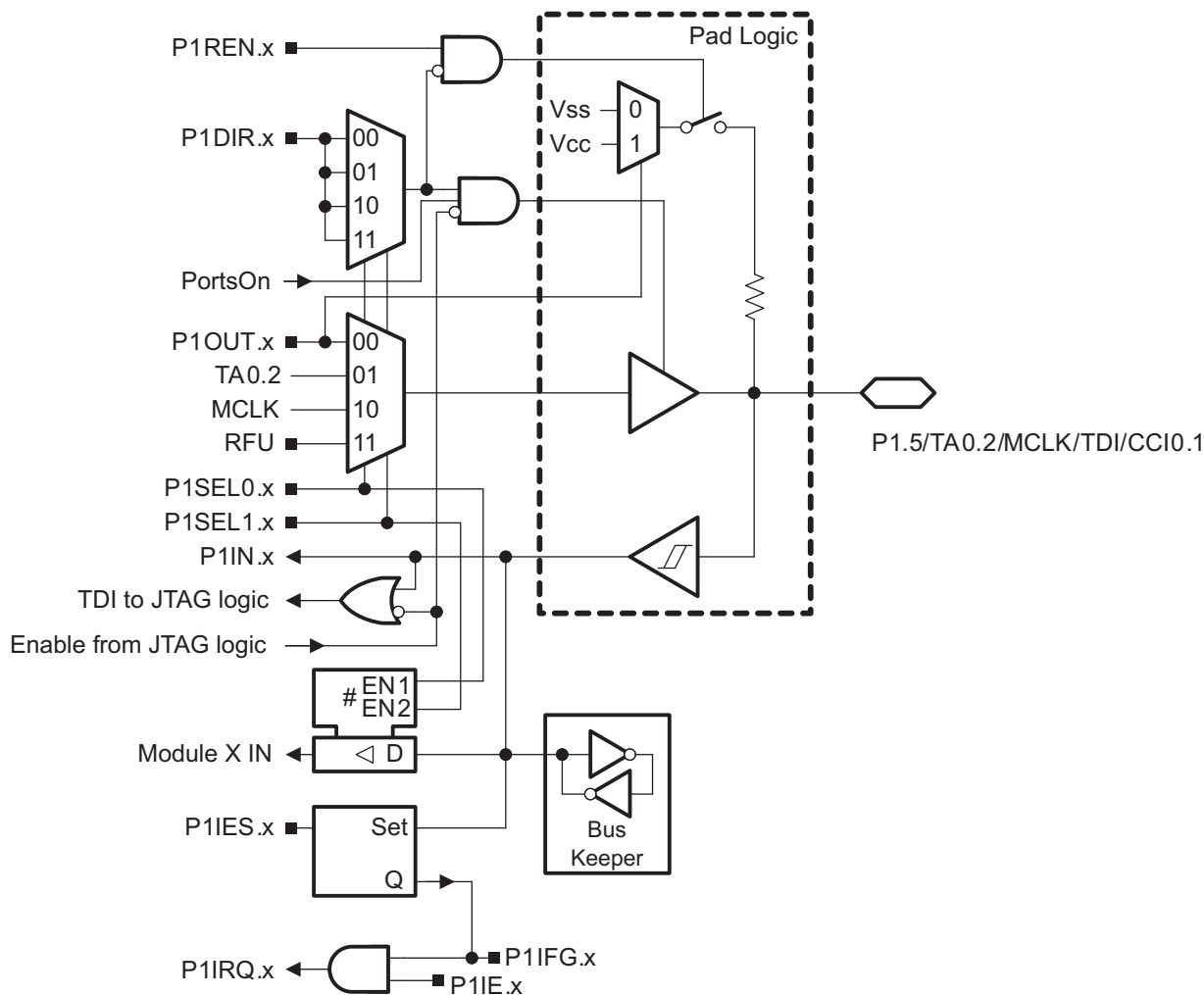


Table 6-13. Port P1.5 Pin Functions

PIN NAME (P1.x)	x	FUNCTION	CONTROL BITS OR SIGNALS <sup>(1)</sup>			
			P1DIR.x	P1SEL1.x	P1SEL0.x	JTAG Mode
TDI/P1.5/TA0.2/MCLK/CCI0.1	5	P1.5 (I/O)	I:0; O:1	0	0	0
		Timer_A0.2	1	0	1	0
		MCLK	1	1	0	0
			1	1	1	0
		Timer_A0 CCI1B	0	≠0	≠0	0
		JTAG-TDI <sup>(2)(3)(4)</sup>	X	X	X	1

- (1) X = Don't care
- (2) JTAG signals TMS, TCK, and TDI read as 1 when not configured as explicit JTAG terminals.
- (3) JTAG overrides digital output control when configured as explicit JTAG terminals.
- (4) JTAG function with enabled pullup resistors is default after power up.

### 6.7.7 Port P1.6 Input/Output

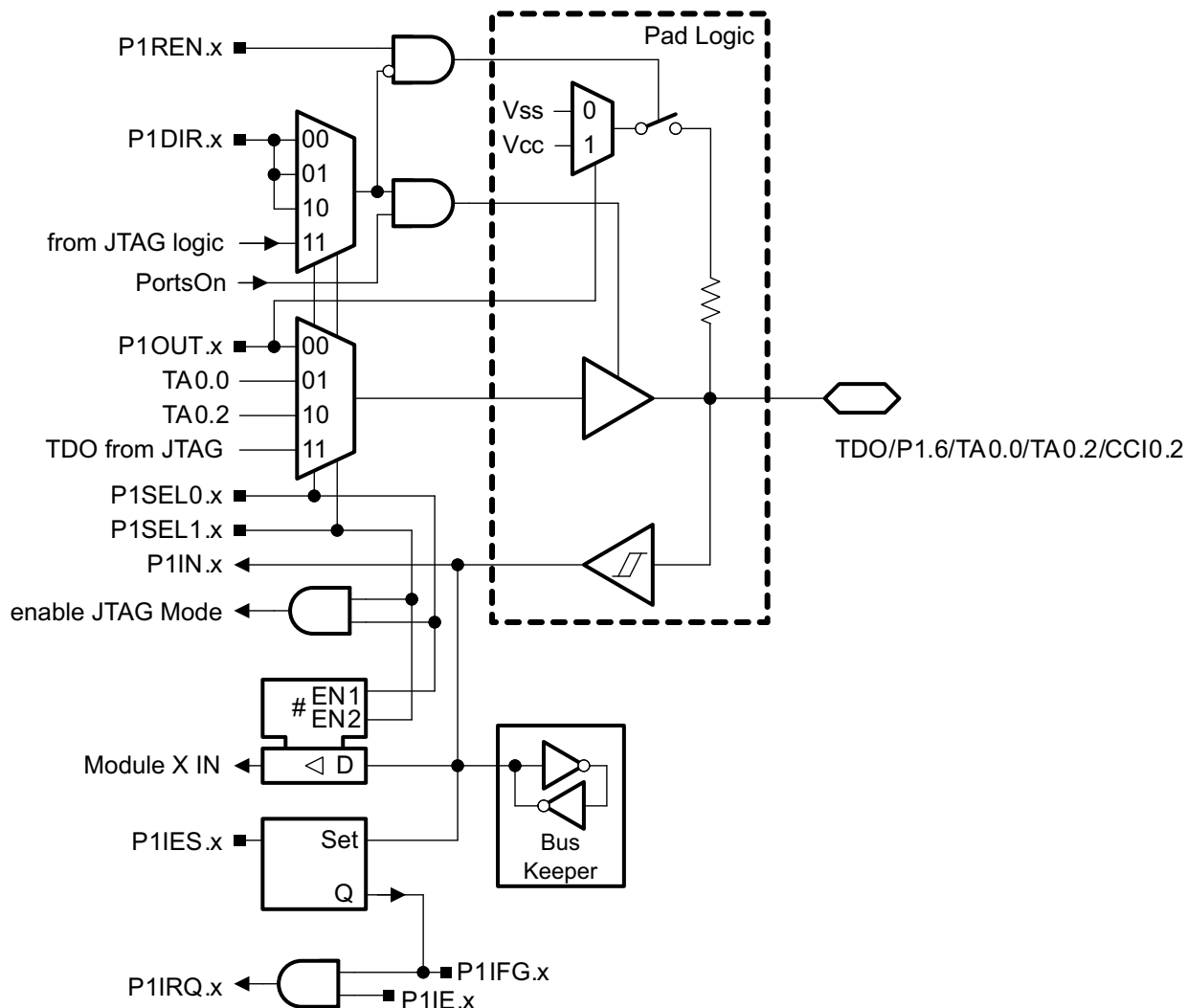


Table 6-14. Port P1.6 Pin Functions

PIN NAME (P1.x)	x	FUNCTION	CONTROL BITS OR SIGNALS		
			P1DIR.x	P1SEL1.x	P1SEL0.x
TDO/P1.6/TA0.0/TA0.2/CCI0.2	6	P1.6 (I/O)	I:0; O:1	0	0
		Timer_A0.0	1	0	1
		Timer_A0.2	1	1	0
		JTAG-TDO <sup>(1)(2)</sup>	1	1	1
		Timer_A0 CCI2A	0	≠0	≠0

(1) JTAG signals TMS, TCK, and TDI read as 1 when not configured as explicit JTAG terminals.

(2) JTAG overrides digital output control when configured as explicit JTAG terminals.

### 6.7.8 Port P1.7 Input/Output

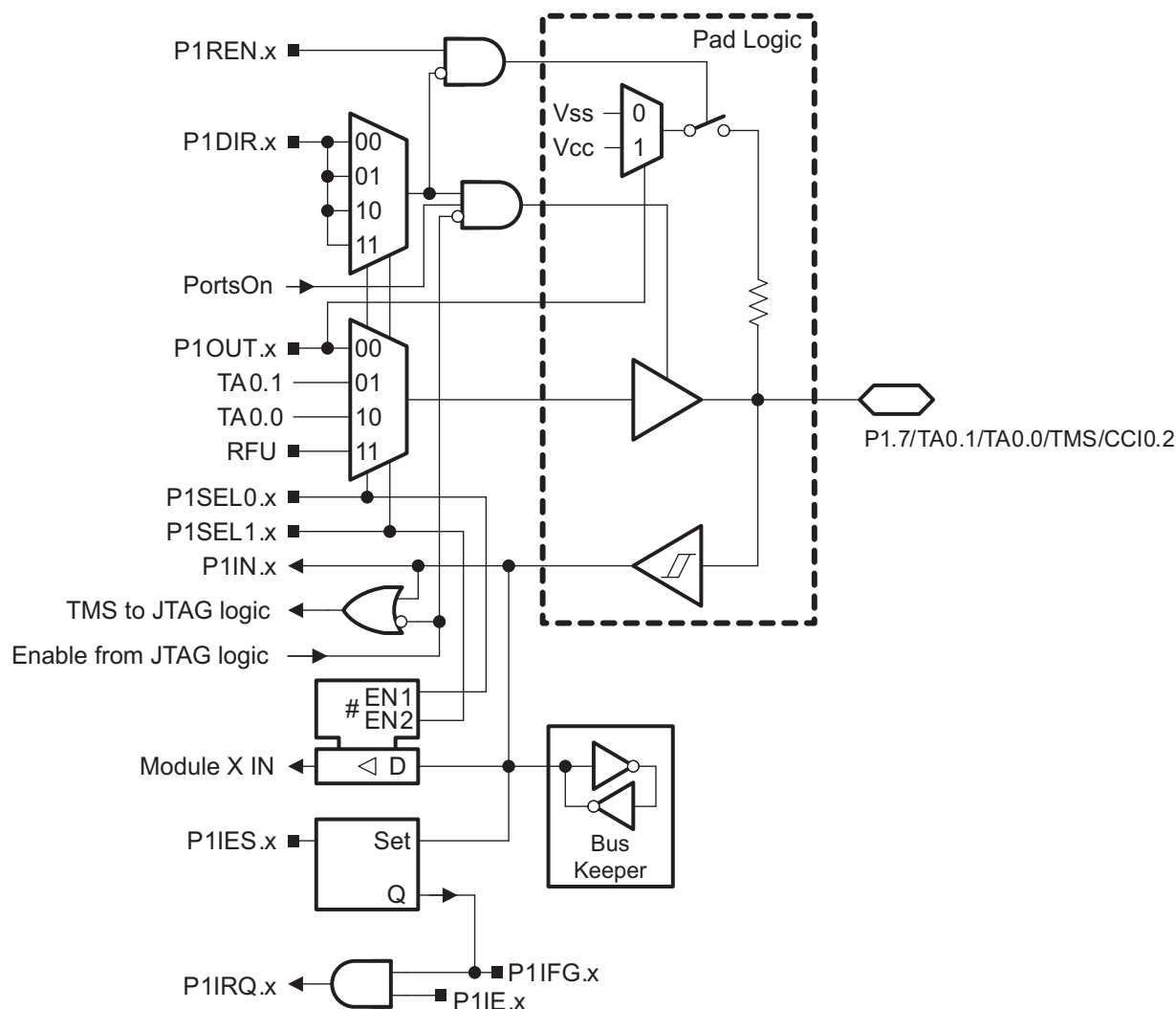


Table 6-15. Port P1.7 Pin Functions

PIN NAME (P1.x)	x	FUNCTION	CONTROL BITS OR SIGNALS <sup>(1)</sup>			
			P1DIR.x	P1SEL1.x	P1SEL0.x	JTAG Mode
TMS/P1.7/TA0.1/TA0.0/CCI0.2	7	P1.7 (I/O)	I:0; O:1	0	0	0
		Timer_A0.1	1	0	1	0
		Timer_A0.0	1	1	0	0
		Reserved	1	1	1	0
		Timer_A0.CCI2B	0	≠0	≠0	0
		JTAG-TMS <sup>(2)(3)(4)</sup>	X	X	X	1

- (1) X = Don't care
- (2) JTAG signals TMS, TCK, and TDI read as 1 when not configured as explicit JTAG terminals.
- (3) JTAG overrides digital output control when configured as explicit JTAG terminals.
- (4) JTAG function with enabled pullup resistors is default after power up.



## 6.8 Device Descriptors (TLV)

Table 6-16 list the complete contents of the device descriptor tag-length-value (TLV) structure for each device type.

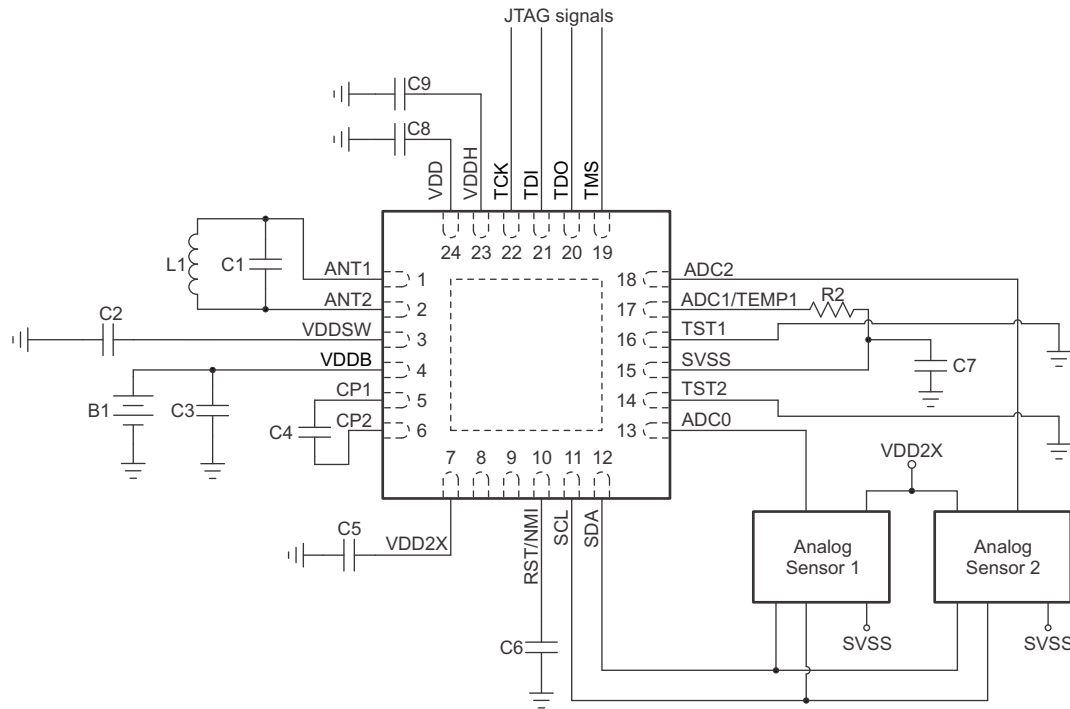
**Table 6-16. RF430FRL15xH Boot Data and Device Descriptor Table**

	Description	Address	Size bytes	FRL152H	FRL153H	FRL154H
<b>Info Block</b>	Boot Data Length	01A00h	1	03h	03h	03h
	CRC length	01A01h	1	03h	03h	03h
	Boot Data CRC value	01A02h	2	per unit	per unit	per unit
	Device ID	01A04h	1	E7h	FBh	FCb
	Device ID	01A05h	1	81h	81h	81h
<b>Die Record</b>	Lot #0	01A06h	1	per unit	per unit	per unit
	Lot #1	01A07h	1	per unit	per unit	per unit
	UID0	01A08h	1	per unit	per unit	per unit
	UID1	01A09h	1	per unit	per unit	per unit
	UID2	01A0Ah	1	per unit	per unit	per unit
	UID3	01A0Bh	1	per unit	per unit	per unit
	UID4	01A0Ch	1	per unit	per unit	per unit
	UID5	01A0Dh	1	A2h / A3h	A2h / A3h	A2h / A3h
	Lot #2	01A0Eh	1	per unit	per unit	per unit
	Fab ID / Wafer Number	01A0Fh	1	per unit	per unit	per unit
	Reserved	01A10h	2	0FFFFh	0FFFFh	0FFFFh
Reserved	01A12h	2	0FFFFh	0FFFFh	0FFFFh	
<b>Calibration</b>	Calibration Pointer	01A14h	2	01A14h	01A14h	01A14h
	Reserved	01A16h	2	per unit	per unit	per unit
	Reserved	01A18h	2	per unit	per unit	per unit
	Reserved	01A1Ah	2	per unit	per unit	per unit
	Reserved	01A1Ch	2	per unit	per unit	per unit
	Reserved	01A1Eh	2	per unit	per unit	per unit
<b>ECC</b>	ECC of previous data	01A3E - 01A20h	32	per unit	per unit	per unit

**Table 6-17. UID (Unique Identifier) Definition**

Description	Address	Bit7	Bit6	Bit5	Bit4	Bit3	Bit2	Bit1	Bit0
Lot ID 0	0x1A06	LotNr[7]	LotNr[6]	LotNr[5]	LotNr[4]	LotNr[3]	LotNr[2]	LotNr[1]	LotNr[0]
Lot ID 1	0x1A07	LotNr[15]	LotNr[14]	LotNr[13]	LotNr[12]	LotNr[11]	LotNr[10]	LotNr[9]	LotNr[8]
UID0	0x1A08	TI[7]	TI[6]	TI[5]	TI[4]	TI[3]	TI[2]	TI[1]	TI[0]
UID1	0x1A09	TI[15]	TI[14]	TI[13]	TI[12]	TI[11]	TI[10]	TI[9]	TI[8]
UID2	0x1A0A	TI[23]	TI[22]	TI[21]	TI[20]	TI[19]	TI[18]	TI[17]	TI[16]
UID3	0x1A0B	TI[31]	TI[30]	TI[29]	TI[28]	TI[27]	TI[26]	TI[25]	TI[24]
UID4	0x1A0C	TI[39]	TI[38]	TI[37]	TI[36]	TI[35]	TI[34]	TI[33]	TI[32]
UID5	0x1A0D	1	0	1	0	0	0	1	TI[40]
Lot ID 2	0x1A0E	LotNr[23]	LotNr[22]	LotNr[21]	LotNr[20]	LotNr[19]	LotNr[18]	LotNr[17]	LotNr[16]
FabID	0x1A0F	Wafer[4]	Wafer[3]	Wafer[2]	Wafer[1]	Wafer[0]	FabNr[2]	FabNr[1]	FabNr[0]

## 7 Applications, Implementation, and Layout



Two analog sensors connected through I<sup>2</sup>C, supplied by VDD2X (≈3 V)

**Figure 7-1. Application Circuit**

Table 7-1 lists the bill of materials for this application.

**Table 7-1. Bill of Materials**

Name	Value	Description
L1	3 $\mu$ H	RF inductance (nominal)
C1	8.2 pF	RF tuning capacitor (nominal)
C2	2.2 $\mu$ F	Decoupling cap at VDDSW
C3	100 nF	Decoupling cap at VDDDB
C4	10 nF	Charge pump capacitor
C5	100 nF	Decoupling cap at VDD2X
C6	10 nF	Decoupling cap at RST
C7	1 $\mu$ F	Bypass capacitor between SVSS and V <sub>SS</sub>
C8	100 nF	Decoupling cap at VDD
C9	100 nF	Decoupling cap at VDDH
B1	1.5 V	Battery
R2	100 k $\Omega$	Reference resistor

## 8 Device and Documentation Support

### 8.1 Device Support

#### 8.1.1 Development Support

TI offers an extensive line of development tools, including tools to evaluate the performance of the processors, generate code, develop algorithm implementations, and fully integrate and debug software and hardware modules. The tool's support documentation is electronically available within the Code Composer Studio™ Integrated Development Environment (IDE).

For an overview of the development tool and driver support for NFC transponders, visit the [Tools & Software for NFC / RFID](#) page.

#### 8.1.2 Device and Development Tool Nomenclature

To designate the stages in the product development cycle, TI assigns prefixes to the part numbers of all RF430 MCU devices and support tools. Each commercial family member has one of three prefixes: RF, P, or X (for example, RF430FRL152H). Texas Instruments recommends two of three possible prefix designators for its support tools: RF and X. These prefixes represent evolutionary stages of product development from engineering prototypes (with X for devices and tools) through fully qualified production devices and tools (with RF for devices tools).

Device development evolutionary flow:

**X** – Experimental device that is not necessarily representative of the final device's electrical specifications

**P** – Final silicon die that conforms to the device's electrical specifications but has not completed quality and reliability verification

**RF** – Fully qualified production device

Support tool development evolutionary flow:

**X** – Development-support product that has not yet completed Texas Instruments internal qualification testing.

**RF** – Fully-qualified development-support product

X and P devices and X development-support tools are shipped against the following disclaimer:

"Developmental product is intended for internal evaluation purposes."

RF devices and RF development-support tools have been characterized fully, and the quality and reliability of the device have been demonstrated fully. TI's standard warranty applies.

Predictions show that prototype devices (X and P) have a greater failure rate than the standard production devices. Texas Instruments recommends that these devices not be used in any production system because their expected end-use failure rate still is undefined. Only qualified production devices are to be used.

TI device nomenclature also includes a suffix with the device family name. This suffix indicates the package type (for example, RGE) and temperature range (for example, T). [Figure 8-1](#) provides a legend for reading the complete device name for any family member.

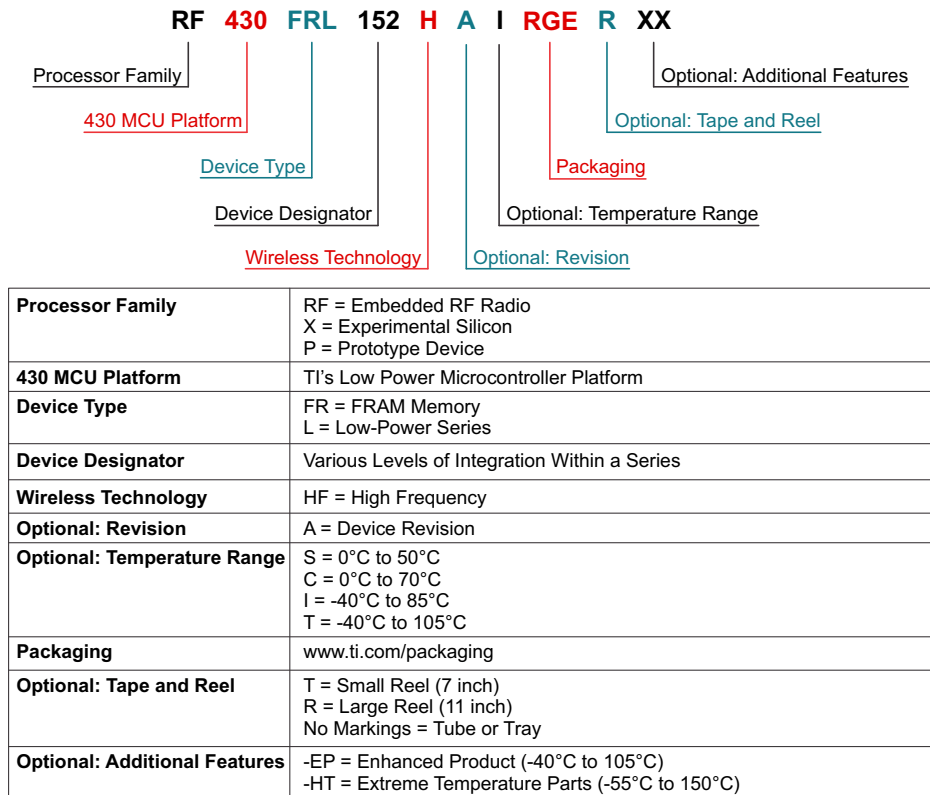


Figure 8-1. Device Nomenclature

## 8.2 Documentation Support

The following documents describe the RF430FRL15xH devices.

[SLAU506](#) *RF430FRL15xH Family Technical Reference Manual*. Detailed description of all modules and peripherals available in this device family.

[SLAU603](#) *RF430FRL15xH Firmware User's Guide*. Detailed description of the firmware that is provided for these devices.

## 8.3 Related Links

Table 8-1 lists quick access links. Categories include technical documents, support and community resources, tools and software, and quick access to sample or buy.

Table 8-1. Related Links

PARTS	PRODUCT FOLDER	SAMPLE & BUY	TECHNICAL DOCUMENTS	TOOLS & SOFTWARE	SUPPORT & COMMUNITY
RF430FRL152H	<a href="#">Click here</a>	<a href="#">Click here</a>	<a href="#">Click here</a>	<a href="#">Click here</a>	<a href="#">Click here</a>
RF430FRL153H	<a href="#">Click here</a>	<a href="#">Click here</a>	<a href="#">Click here</a>	<a href="#">Click here</a>	<a href="#">Click here</a>
RF430FRL154H	<a href="#">Click here</a>	<a href="#">Click here</a>	<a href="#">Click here</a>	<a href="#">Click here</a>	<a href="#">Click here</a>

## 8.4 Community Resources

The following links connect to TI community resources. Linked contents are provided "AS IS" by the respective contributors. They do not constitute TI specifications and do not necessarily reflect TI's views; see TI's [Terms of Use](#).

### [TI E2E™ Community](#)

*TI's Engineer-to-Engineer (E2E) Community.* Created to foster collaboration among engineers. At [e2e.ti.com](http://e2e.ti.com), you can ask questions, share knowledge, explore ideas, and help solve problems with fellow engineers.

### [TI Embedded Processors Wiki](#)

*Texas Instruments Embedded Processors Wiki.* Established to help developers get started with embedded processors from Texas Instruments and to foster innovation and growth of general knowledge about the hardware and software surrounding these devices.

## 8.5 Trademarks

MSP430, Code Composer Studio, E2E are trademarks of Texas Instruments. All other trademarks are the property of their respective owners.

## 8.6 Electrostatic Discharge Caution



This integrated circuit can be damaged by ESD. Texas Instruments recommends that all integrated circuits be handled with appropriate precautions. Failure to observe proper handling and installation procedures can cause damage.

ESD damage can range from subtle performance degradation to complete device failure. Precision integrated circuits may be more susceptible to damage because very small parametric changes could cause the device not to meet its published specifications.

## 8.7 Glossary

[SLYZ022](#) — *TI Glossary*.

This glossary lists and explains terms, acronyms, and definitions.

# 9 Mechanical Packaging and Orderable Information

## 9.1 Packaging Information

The following pages include mechanical packaging and orderable information. This information is the most current data available for the designated devices. This data is subject to change without notice and revision of this document. For browser-based versions of this data sheet, refer to the left-hand navigation.

**PACKAGING INFORMATION**

Orderable Device	Status (1)	Package Type	Package Drawing	Pins	Package Qty	Eco Plan (2)	Lead/Ball Finish (6)	MSL Peak Temp (3)	Op Temp (°C)	Device Marking (4/5)	Samples
RF430FRL152HCRGER	ACTIVE	VQFN	RGE	24	3000	Green (RoHS & no Sb/Br)	CU NIPDAU	Level-2-260C-1 YEAR	0 to 70	RF430 FRL152H	<a href="#">Samples</a>
RF430FRL153HCRGER	ACTIVE	VQFN	RGE	24	3000	Green (RoHS & no Sb/Br)	CU NIPDAU	Level-2-260C-1 YEAR	0 to 70	RF430 FRL153H	<a href="#">Samples</a>
RF430FRL154HCRGER	ACTIVE	VQFN	RGE	24	3000	Green (RoHS & no Sb/Br)	CU NIPDAU	Level-2-260C-1 YEAR	0 to 70	RF430 FRL154H	<a href="#">Samples</a>

(1) The marketing status values are defined as follows:

**ACTIVE:** Product device recommended for new designs.

**LIFEBUY:** TI has announced that the device will be discontinued, and a lifetime-buy period is in effect.

**NRND:** Not recommended for new designs. Device is in production to support existing customers, but TI does not recommend using this part in a new design.

**PREVIEW:** Device has been announced but is not in production. Samples may or may not be available.

**OBsolete:** TI has discontinued the production of the device.

(2) Eco Plan - The planned eco-friendly classification: Pb-Free (RoHS), Pb-Free (RoHS Exempt), or Green (RoHS & no Sb/Br) - please check <http://www.ti.com/productcontent> for the latest availability information and additional product content details.

**TBD:** The Pb-Free/Green conversion plan has not been defined.

**Pb-Free (RoHS):** TI's terms "Lead-Free" or "Pb-Free" mean semiconductor products that are compatible with the current RoHS requirements for all 6 substances, including the requirement that lead not exceed 0.1% by weight in homogeneous materials. Where designed to be soldered at high temperatures, TI Pb-Free products are suitable for use in specified lead-free processes.

**Pb-Free (RoHS Exempt):** This component has a RoHS exemption for either 1) lead-based flip-chip solder bumps used between the die and package, or 2) lead-based die adhesive used between the die and leadframe. The component is otherwise considered Pb-Free (RoHS compatible) as defined above.

**Green (RoHS & no Sb/Br):** TI defines "Green" to mean Pb-Free (RoHS compatible), and free of Bromine (Br) and Antimony (Sb) based flame retardants (Br or Sb do not exceed 0.1% by weight in homogeneous material)

(3) MSL, Peak Temp. - The Moisture Sensitivity Level rating according to the JEDEC industry standard classifications, and peak solder temperature.

(4) There may be additional marking, which relates to the logo, the lot trace code information, or the environmental category on the device.

(5) Multiple Device Markings will be inside parentheses. Only one Device Marking contained in parentheses and separated by a "~" will appear on a device. If a line is indented then it is a continuation of the previous line and the two combined represent the entire Device Marking for that device.

(6) Lead/Ball Finish - Orderable Devices may have multiple material finish options. Finish options are separated by a vertical ruled line. Lead/Ball Finish values may wrap to two lines if the finish value exceeds the maximum column width.

**Important Information and Disclaimer:** The information provided on this page represents TI's knowledge and belief as of the date that it is provided. TI bases its knowledge and belief on information provided by third parties, and makes no representation or warranty as to the accuracy of such information. Efforts are underway to better integrate information from third parties. TI has taken and

continues to take reasonable steps to provide representative and accurate information but may not have conducted destructive testing or chemical analysis on incoming materials and chemicals. TI and TI suppliers consider certain information to be proprietary, and thus CAS numbers and other limited information may not be available for release.

In no event shall TI's liability arising out of such information exceed the total purchase price of the TI part(s) at issue in this document sold by TI to Customer on an annual basis.

## TAPE AND REEL INFORMATION



### QUADRANT ASSIGNMENTS FOR PIN 1 ORIENTATION IN TAPE



\*All dimensions are nominal

Device	Package Type	Package Drawing	Pins	SPQ	Reel Diameter (mm)	Reel Width W1 (mm)	A0 (mm)	B0 (mm)	K0 (mm)	P1 (mm)	W (mm)	Pin1 Quadrant
RF430FRL152HCRGER	VQFN	RGE	24	3000	330.0	12.4	4.3	4.3	1.5	8.0	12.0	Q2



TAPE AND REEL BOX DIMENSIONS



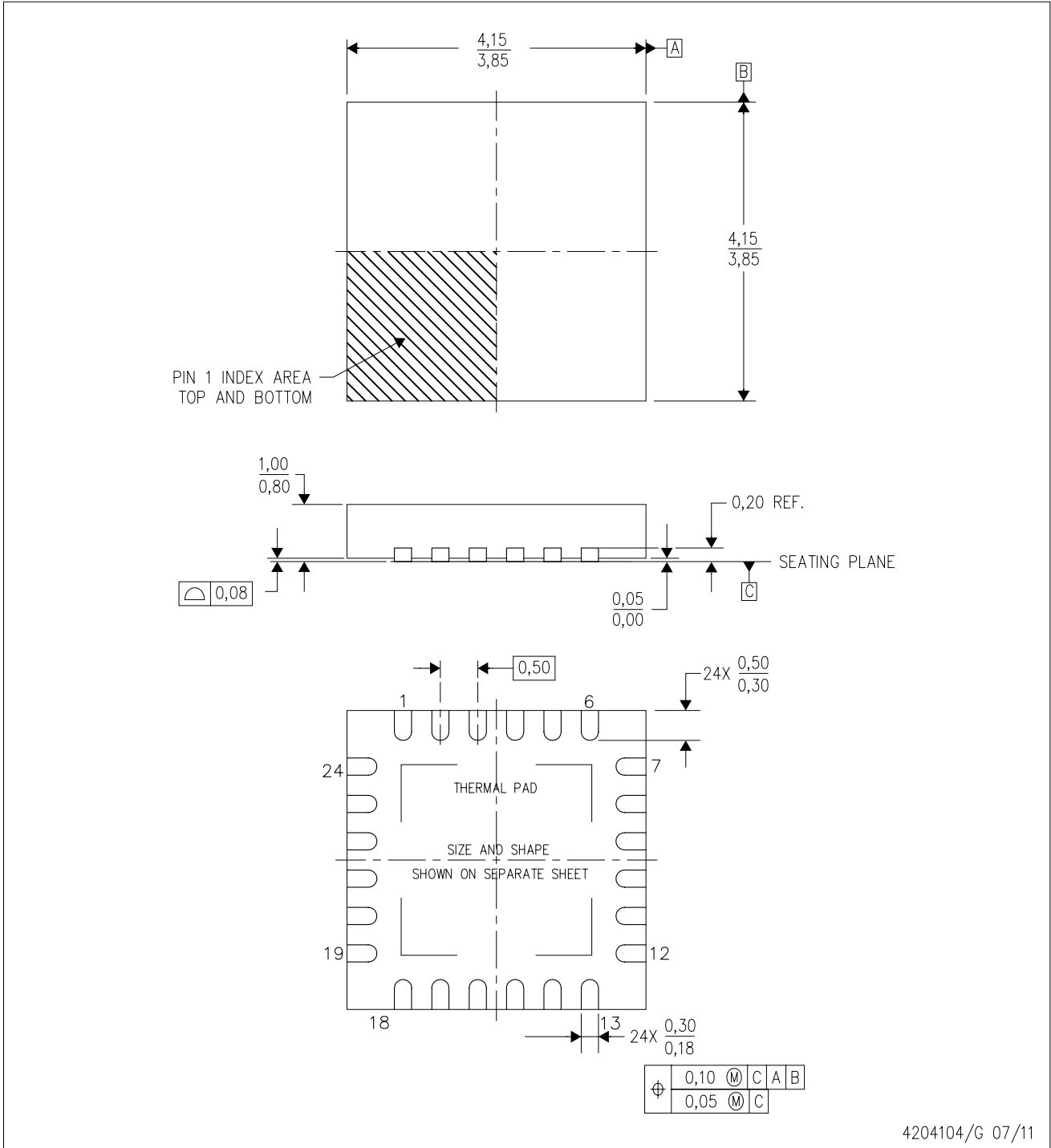
\*All dimensions are nominal

Device	Package Type	Package Drawing	Pins	SPQ	Length (mm)	Width (mm)	Height (mm)
RF430FRL152HCRGER	VQFN	RGE	24	3000	338.1	338.1	20.6

# MECHANICAL DATA

RGE (S-PVQFN-N24)

PLASTIC QUAD FLATPACK NO-LEAD



4204104/G 07/11

- NOTES:
- A. All linear dimensions are in millimeters. Dimensioning and tolerancing per ASME Y14.5M-1994.
  - B. This drawing is subject to change without notice.
  - C. Quad Flatpack, No-Leads (QFN) package configuration.
  - D. The package thermal pad must be soldered to the board for thermal and mechanical performance.
  - E. See the additional figure in the Product Data Sheet for details regarding the exposed thermal pad features and dimensions.
  - F. Falls within JEDEC MO-220.

# THERMAL PAD MECHANICAL DATA

RGE (S-PVQFN-N24)

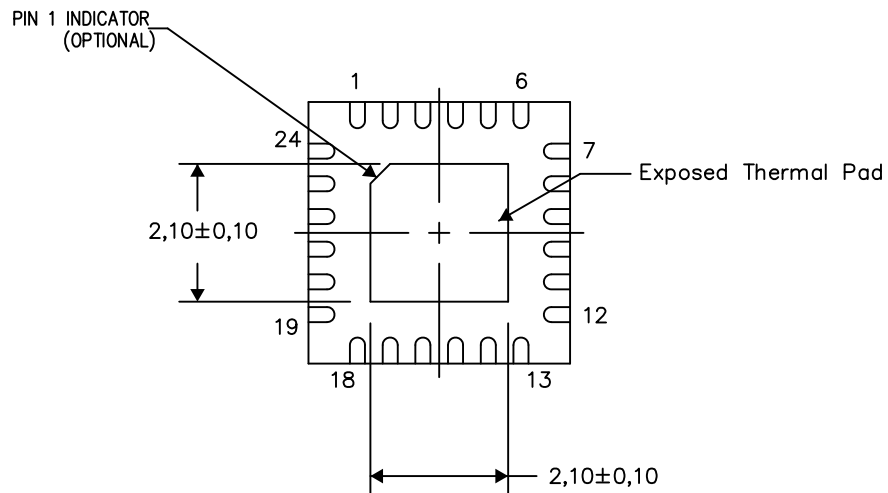
PLASTIC QUAD FLATPACK NO-LEAD

## THERMAL INFORMATION

This package incorporates an exposed thermal pad that is designed to be attached directly to an external heatsink. The thermal pad must be soldered directly to the printed circuit board (PCB). After soldering, the PCB can be used as a heatsink. In addition, through the use of thermal vias, the thermal pad can be attached directly to the appropriate copper plane shown in the electrical schematic for the device, or alternatively, can be attached to a special heatsink structure designed into the PCB. This design optimizes the heat transfer from the integrated circuit (IC).

For information on the Quad Flatpack No-Lead (QFN) package and its advantages, refer to Application Report, QFN/SON PCB Attachment, Texas Instruments Literature No. SLUA271. This document is available at [www.ti.com](http://www.ti.com).

The exposed thermal pad dimensions for this package are shown in the following illustration.



Bottom View

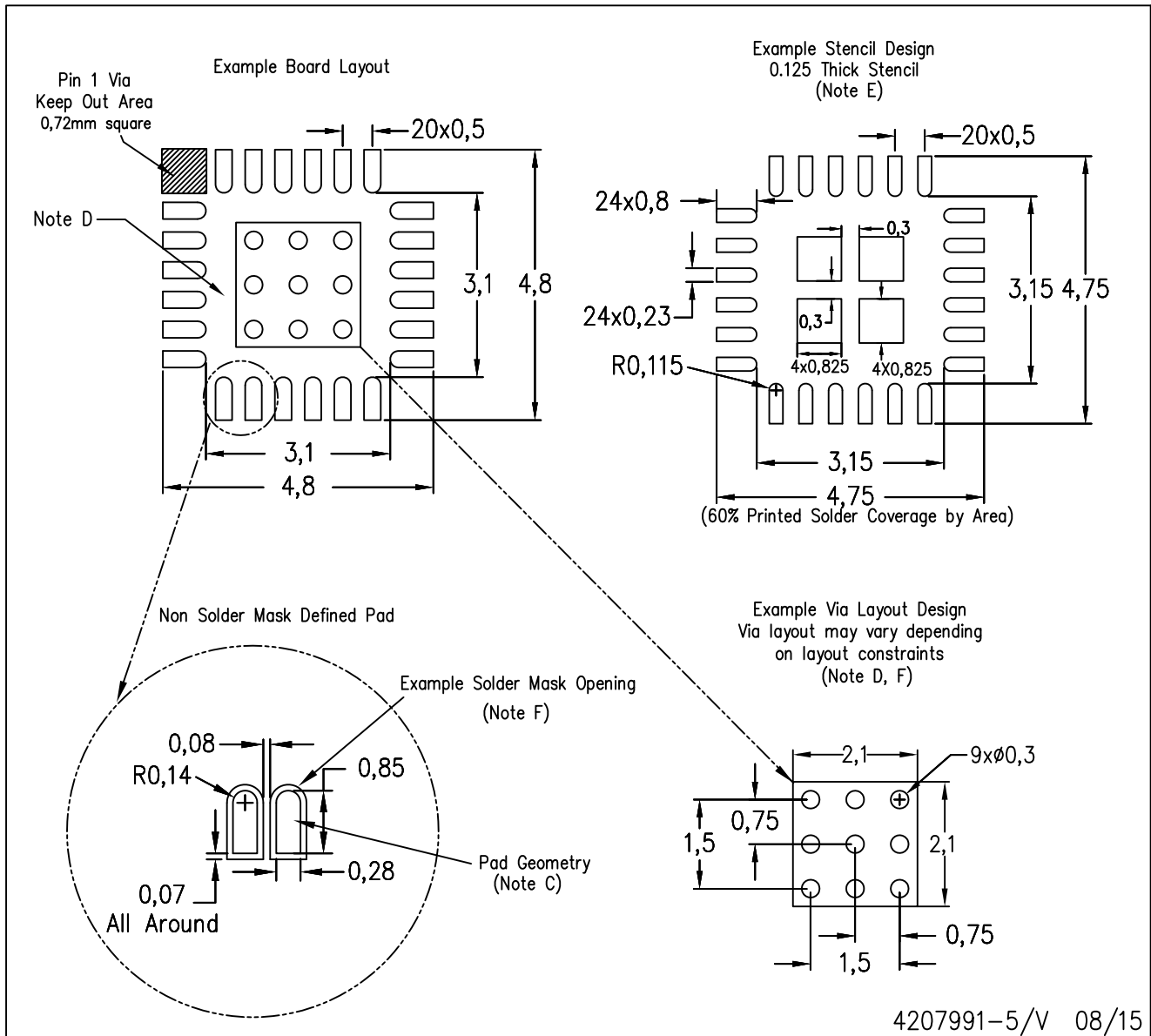
Exposed Thermal Pad Dimensions

4206344-7/AK 08/15

NOTES: A. All linear dimensions are in millimeters

RGE (S-PVQFN-N24)

PLASTIC QUAD FLATPACK NO-LEAD



- NOTES:
- All linear dimensions are in millimeters.
  - This drawing is subject to change without notice.
  - Publication IPC-7351 is recommended for alternate designs.
  - This package is designed to be soldered to a thermal pad on the board. Refer to Application Note, Quad Flat-Pack Packages, Texas Instruments Literature No. SLUA271, and also the Product Data Sheets for specific thermal information, via requirements, and recommended board layout. These documents are available at [www.ti.com](http://www.ti.com) <<http://www.ti.com>>.
  - Laser cutting apertures with trapezoidal walls and also rounding corners will offer better paste release. Customers should contact their board assembly site for stencil design recommendations. Refer to IPC 7525 for stencil design considerations.
  - Customers should contact their board fabrication site for recommended solder mask tolerances and via tenting recommendations for vias placed in the thermal pad.

## IMPORTANT NOTICE

Texas Instruments Incorporated and its subsidiaries (TI) reserve the right to make corrections, enhancements, improvements and other changes to its semiconductor products and services per JESD46, latest issue, and to discontinue any product or service per JESD48, latest issue. Buyers should obtain the latest relevant information before placing orders and should verify that such information is current and complete. All semiconductor products (also referred to herein as "components") are sold subject to TI's terms and conditions of sale supplied at the time of order acknowledgment.

TI warrants performance of its components to the specifications applicable at the time of sale, in accordance with the warranty in TI's terms and conditions of sale of semiconductor products. Testing and other quality control techniques are used to the extent TI deems necessary to support this warranty. Except where mandated by applicable law, testing of all parameters of each component is not necessarily performed.

TI assumes no liability for applications assistance or the design of Buyers' products. Buyers are responsible for their products and applications using TI components. To minimize the risks associated with Buyers' products and applications, Buyers should provide adequate design and operating safeguards.

TI does not warrant or represent that any license, either express or implied, is granted under any patent right, copyright, mask work right, or other intellectual property right relating to any combination, machine, or process in which TI components or services are used. Information published by TI regarding third-party products or services does not constitute a license to use such products or services or a warranty or endorsement thereof. Use of such information may require a license from a third party under the patents or other intellectual property of the third party, or a license from TI under the patents or other intellectual property of TI.

Reproduction of significant portions of TI information in TI data books or data sheets is permissible only if reproduction is without alteration and is accompanied by all associated warranties, conditions, limitations, and notices. TI is not responsible or liable for such altered documentation. Information of third parties may be subject to additional restrictions.

Resale of TI components or services with statements different from or beyond the parameters stated by TI for that component or service voids all express and any implied warranties for the associated TI component or service and is an unfair and deceptive business practice. TI is not responsible or liable for any such statements.

Buyer acknowledges and agrees that it is solely responsible for compliance with all legal, regulatory and safety-related requirements concerning its products, and any use of TI components in its applications, notwithstanding any applications-related information or support that may be provided by TI. Buyer represents and agrees that it has all the necessary expertise to create and implement safeguards which anticipate dangerous consequences of failures, monitor failures and their consequences, lessen the likelihood of failures that might cause harm and take appropriate remedial actions. Buyer will fully indemnify TI and its representatives against any damages arising out of the use of any TI components in safety-critical applications.

In some cases, TI components may be promoted specifically to facilitate safety-related applications. With such components, TI's goal is to help enable customers to design and create their own end-product solutions that meet applicable functional safety standards and requirements. Nonetheless, such components are subject to these terms.

No TI components are authorized for use in FDA Class III (or similar life-critical medical equipment) unless authorized officers of the parties have executed a special agreement specifically governing such use.

Only those TI components which TI has specifically designated as military grade or "enhanced plastic" are designed and intended for use in military/aerospace applications or environments. Buyer acknowledges and agrees that any military or aerospace use of TI components which have **not** been so designated is solely at the Buyer's risk, and that Buyer is solely responsible for compliance with all legal and regulatory requirements in connection with such use.

TI has specifically designated certain components as meeting ISO/TS16949 requirements, mainly for automotive use. In any case of use of non-designated products, TI will not be responsible for any failure to meet ISO/TS16949.

### Products

Audio	<a href="http://www.ti.com/audio">www.ti.com/audio</a>
Amplifiers	<a href="http://amplifier.ti.com">amplifier.ti.com</a>
Data Converters	<a href="http://dataconverter.ti.com">dataconverter.ti.com</a>
DLP® Products	<a href="http://www.dlp.com">www.dlp.com</a>
DSP	<a href="http://dsp.ti.com">dsp.ti.com</a>
Clocks and Timers	<a href="http://www.ti.com/clocks">www.ti.com/clocks</a>
Interface	<a href="http://interface.ti.com">interface.ti.com</a>
Logic	<a href="http://logic.ti.com">logic.ti.com</a>
Power Mgmt	<a href="http://power.ti.com">power.ti.com</a>
Microcontrollers	<a href="http://microcontroller.ti.com">microcontroller.ti.com</a>
RFID	<a href="http://www.ti-rfid.com">www.ti-rfid.com</a>
OMAP Applications Processors	<a href="http://www.ti.com/omap">www.ti.com/omap</a>
Wireless Connectivity	<a href="http://www.ti.com/wirelessconnectivity">www.ti.com/wirelessconnectivity</a>

### Applications

Automotive and Transportation	<a href="http://www.ti.com/automotive">www.ti.com/automotive</a>
Communications and Telecom	<a href="http://www.ti.com/communications">www.ti.com/communications</a>
Computers and Peripherals	<a href="http://www.ti.com/computers">www.ti.com/computers</a>
Consumer Electronics	<a href="http://www.ti.com/consumer-apps">www.ti.com/consumer-apps</a>
Energy and Lighting	<a href="http://www.ti.com/energy">www.ti.com/energy</a>
Industrial	<a href="http://www.ti.com/industrial">www.ti.com/industrial</a>
Medical	<a href="http://www.ti.com/medical">www.ti.com/medical</a>
Security	<a href="http://www.ti.com/security">www.ti.com/security</a>
Space, Avionics and Defense	<a href="http://www.ti.com/space-avionics-defense">www.ti.com/space-avionics-defense</a>
Video and Imaging	<a href="http://www.ti.com/video">www.ti.com/video</a>

### TI E2E Community

[e2e.ti.com](http://e2e.ti.com)