



10ppm/°C, 1µA, 1.25V Shunt Voltage Reference

FEATURES

- MICRO-PACKAGE: SOT23-3
- WIDE CURRENT RANGE: 1µA to 5mA
- HIGH INITIAL ACCURACY: 0.2%
- EXCELLENT SPECIFIED DRIFT PERFORMANCE:
 - 30ppm/°C (max) from 0°C to +70°C
 - 50ppm/°C (max) from -40°C to +85°C

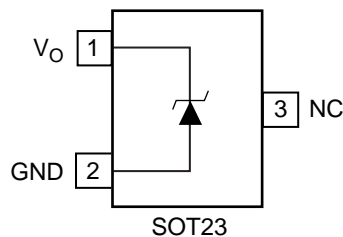
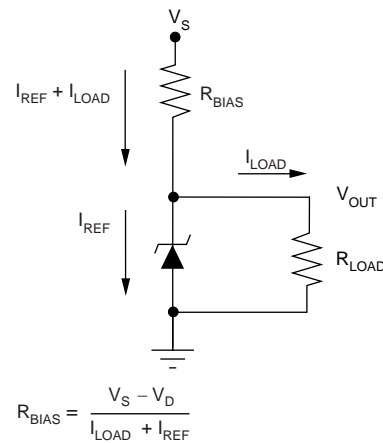
APPLICATIONS

- BATTERY-POWERED INSTRUMENTS
- PORTABLE DEVICES
- MEDICAL EQUIPMENT
- CURRENT SOURCES
- CALIBRATORS
- MICROPOWER CURRENT AND VOLTAGE REFERENCE

DESCRIPTION

The REF1112 is a two-terminal shunt reference designed for power and space-sensitive applications. The REF1112 features an operating current of 1µA in a SOT23-3 package and is an improved, lower power pin-compatible drop-in replacement for designs currently using the REF1004 and LT1004. The REF1112 is specified from -40°C to +85°C with operation extending from -40°C to +125°C.

The REF1112 complements other 1µA components from Texas Instruments including the OPA349 and the TLV240x low power operational amplifiers, and the TLV349x micropower voltage comparator.



NC indicates pin should be left unconnected.



Please be aware that an important notice concerning availability, standard warranty, and use in critical applications of Texas Instruments semiconductor products and disclaimers thereto appears at the end of this data sheet.

All trademarks are the property of their respective owners.

PRODUCTION DATA information is current as of publication date. Products conform to specifications per the terms of Texas Instruments standard warranty. Production processing does not necessarily include testing of all parameters.

ABSOLUTE MAXIMUM RATINGS⁽¹⁾

Reverse Breakdown Current	10mA
Forward Current	10mA
Operating Temperature	-55°C to +125°C
Storage Temperature	-65°C to +150°C
Junction Temperature	+150°C
Lead Temperature (soldering, 10s)	+300°C

(1) Stresses above these ratings may cause permanent damage. Exposure to absolute maximum conditions for extended periods may degrade device reliability. These are stress ratings only, and functional operation of the device at these or any other conditions beyond those specified is not implied.



ELECTROSTATIC DISCHARGE SENSITIVITY

Electrostatic discharge can cause damage ranging from performance degradation to complete device failure. Texas Instruments recommends that all integrated circuits be handled and stored using appropriate ESD protection methods.

ESD damage can range from subtle performance degradation to complete device failure. Precision integrated circuits may be more susceptible to damage because very small parametric changes could cause the device not to meet published specifications.

PACKAGE/ORDERING INFORMATION

PRODUCT	PACKAGE-LEAD	PACKAGE DESIGNATOR ⁽¹⁾	SPECIFIED TEMPERATURE RANGE	PACKAGE MARKING	ORDERING NUMBER	TRANSPORT MEDIA, QUANTITY
REF1112	SOT23-3	DBZ	-40°C to +125°C	R11A	REF1112AIDBZT	Tape and Reel, 250
"	"	"	"	"	REF1112AIDBZR	Tape and Reel, 3000

NOTE: (1) For the most current specifications and package information, refer to our web site at www.ti.com.

PRELIMINARY ELECTRICAL CHARACTERISTICS

Boldface limits apply over the specified temperature range, $T_A = -40^\circ\text{C}$ to $+125^\circ\text{C}$.

At $T_A = +25^\circ\text{C}$, $I_{REF} = 1.2\mu\text{A}$, and $C_{LOAD} = 10\text{nF}$, unless otherwise noted.

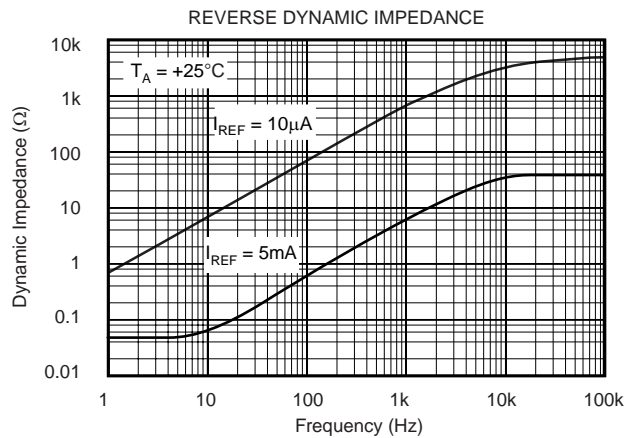
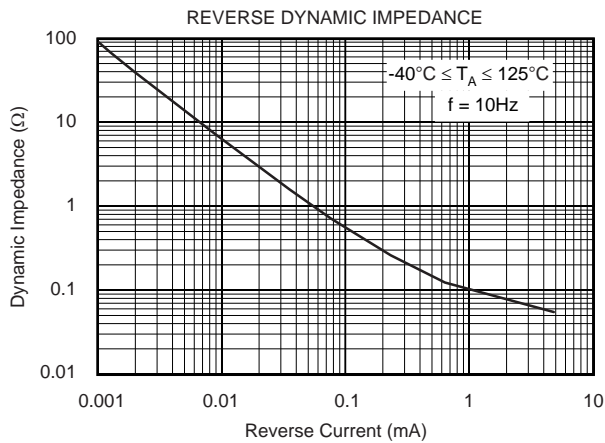
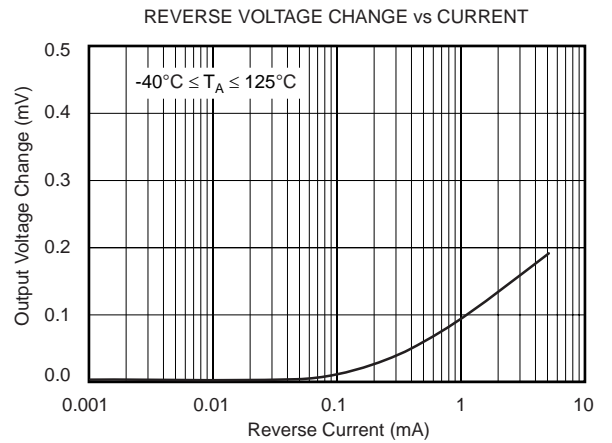
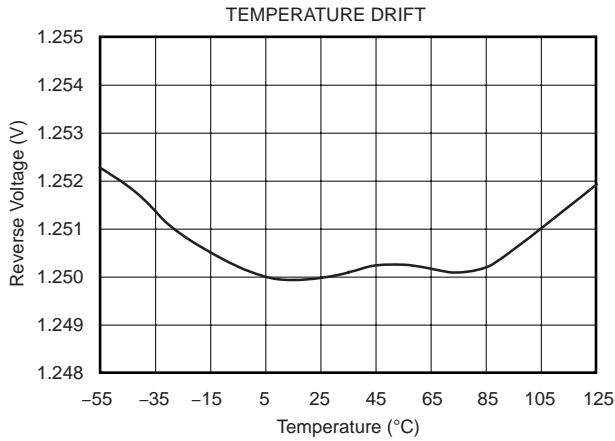
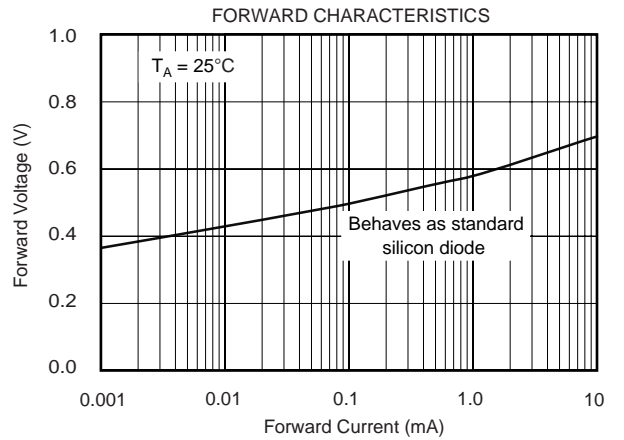
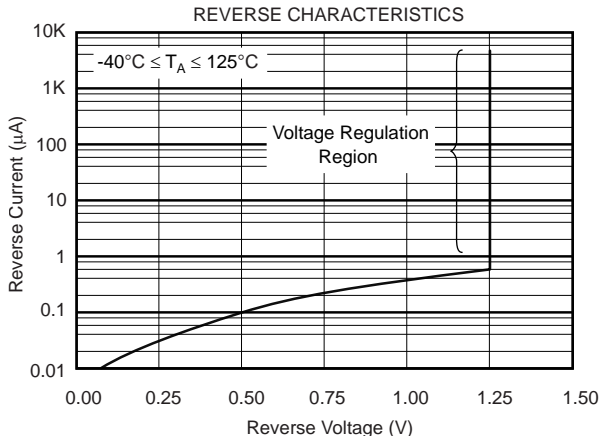
PARAMETER	CONDITIONS	REF1112 - 1.25V			UNITS
		MIN	TYP	MAX	
REVERSE BREAKDOWN VOLTAGE	$I_{REF} = 1.2\mu\text{A}$	1.2475 -0.2	1.25	1.2525 + 0.2	V %
TEMPERATURE COEFFICIENT	$1.2\mu\text{A} \leq I_{REF} \leq 5\text{mA}$ 0°C to +70°C -40°C to +85°C -40°C to +125°C		10 15 15	30 50	ppm/°C ppm/°C ppm/°C
MINIMUM OPERATING CURRENT			1	1.2	μA
REVERSE BREAKDOWN VOLTAGE CHANGE WITH CURRENT	$1.2\mu\text{A} \leq I_{REF} \leq 5\text{mA}$		30	100	ppm/mA
REVERSE DYNAMIC IMPEDANCE	$1.2\mu\text{A} \leq I_{REF} \leq 5\text{mA}$		0.037	0.125	Ω
LOW-FREQUENCY NOISE ⁽¹⁾ 0.1Hz $\leq I_{REF} \leq$ 10Hz			25		μV_{PP}
THERMAL HYSTERESIS ⁽²⁾			100		ppm
LONG-TERM STABILITY +25°C \pm 0.1°C			60		ppm/kHr
TEMPERATURE CHARACTERISTICS					
Specified Range		-40		+125	°C
Operating Range		-55		+125	°C
Storage Range		-65		+150	°C
Thermal Resistance SOT23-3 Surface-Mount θ_{JA}			135		°C/W

(1) Peak-to-peak noise is measured with a 2-pole high-pass filter at 0.1Hz and a 4-pole low-pass chebyshev filter at 10Hz.

(2) Thermal hysteresis is defined as the change in output voltage after operating the device at 25°C, cycling the device through the specified temperature range, and returning to 25°C.

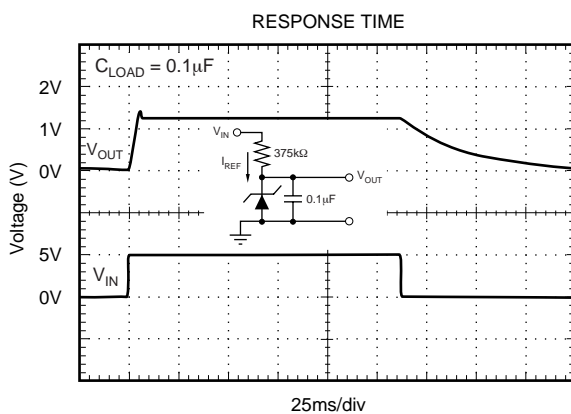
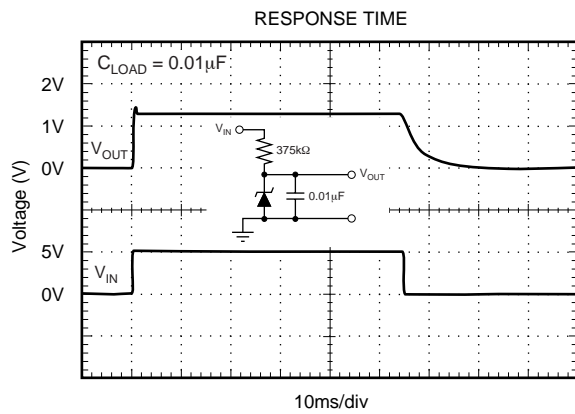
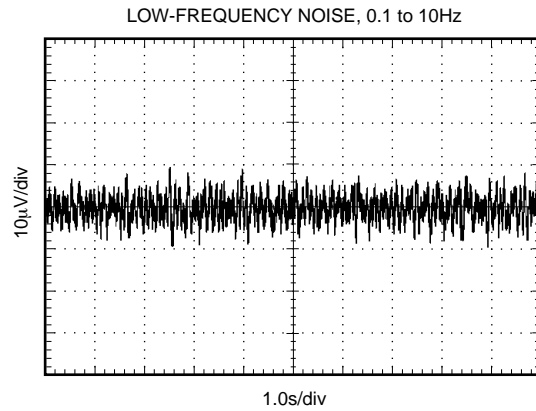
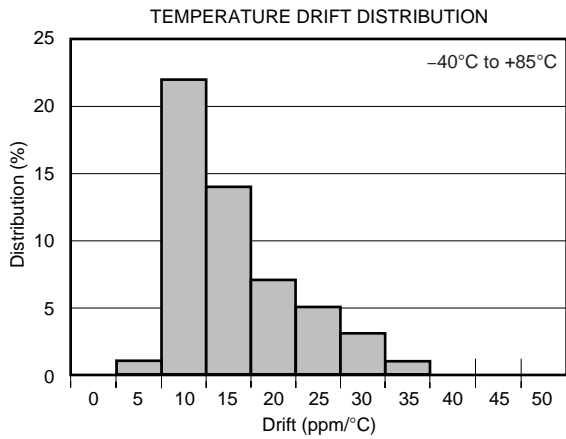
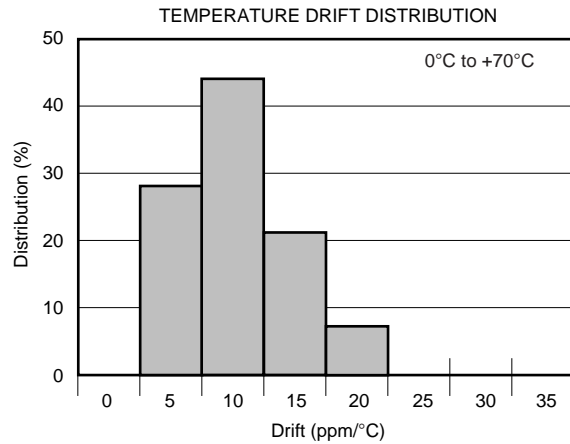
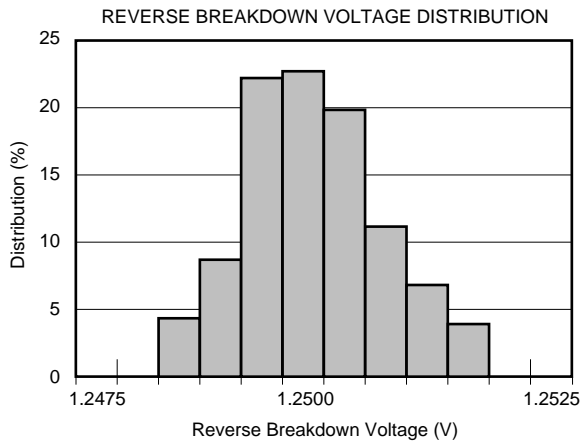
TYPICAL CHARACTERISTICS

At $T_A = +25^\circ\text{C}$, $I_{REF} = 10\mu\text{A}$ and $C_L = 10\text{nF}$, unless otherwise specified.



TYPICAL CHARACTERISTICS (Cont.)

At $T_A = +25^\circ\text{C}$, $I_{REF} = 10\mu\text{A}$ and $C_L = 10\text{nF}$, unless otherwise specified.



APPLICATIONS INFORMATION

The REF1112 is a two-terminal bandgap reference diode designed for high accuracy with outstanding temperature characteristics at low operating currents. Precision thin-film resistors result in 0.2% initial voltage accuracy and 50ppm/°C maximum temperature drift. The REF1112 is specified from -40°C to +85°C, with operation from -40°C to +125°C, and is offered in a SOT23-3 package.

Typical connections for the REF1112 are shown in Figure 1. A minimum 1µA bias current is required to maintain a stable output voltage and can be provided with a resistor connected to the supply voltage. I_{BIAS} depends on the values selected for R_{BIAS} and V_S , and will vary as a sum of the minimum operating current and the load current. To maintain stable operation, the value of R_{BIAS} must be low enough to maintain the minimum operating current at the minimum and maximum load and supply voltage levels.

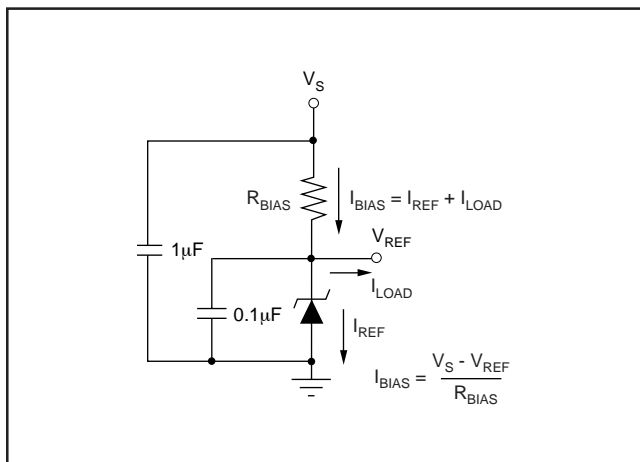


FIGURE 1. Typical Connections.

A 0.1µF load capacitor is recommended to maintain stability under varying load conditions. A minimum 0.01µF load capacitor is required for stable operation. Start-up time for the REF1112 will be affected, depending on the value of load capacitance and the bias currents being used. A 1µF power supply bypass capacitor is recommended to minimize supply noise within the circuit.

The REF1112 shunt voltage reference provides a versatile function for low power and space-conservative applications. The REF1112 can be configured with an additional diode and NPN transistor to provide a temperature compensated current reference as shown in Figure 2. The REF1112 can be scaled to provide extremely low power reference voltages. Figure 3 shows the REF1112 used as a 1V out, 3µA voltage reference, and in Figure 4 a 2.5V reference on 1µA.

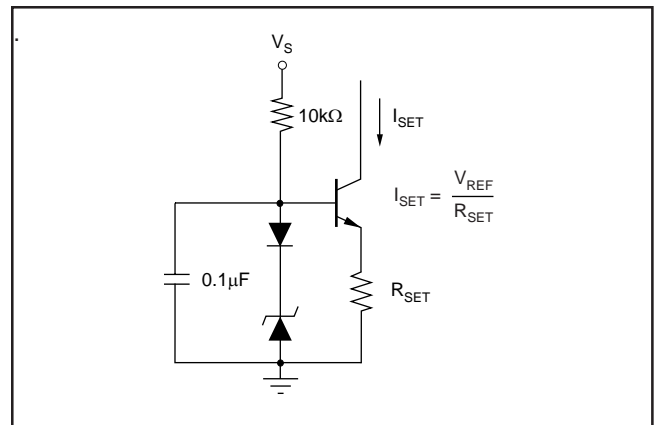


FIGURE 2. REF1112 Provides a Stable Current Source.

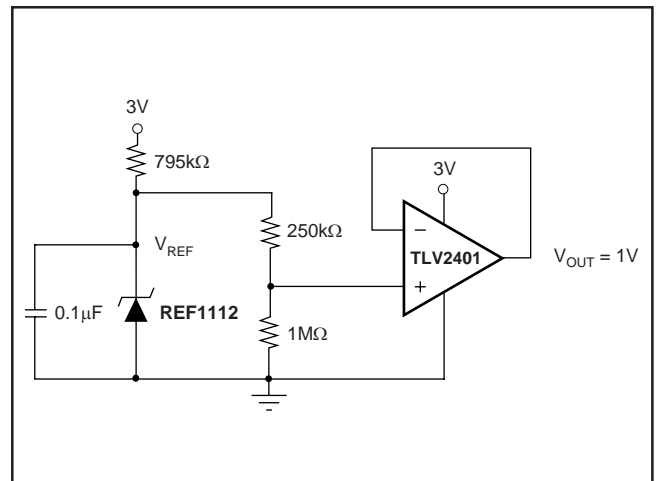


FIGURE 3. MicroPOWER 3µA 1V Voltage Reference.

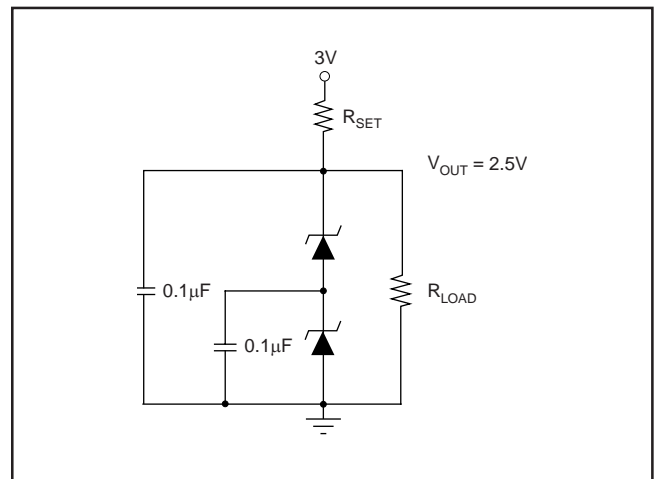


FIGURE 4. 2.5V Reference on 1µA.

For applications requiring a stable voltage reference capable of sinking higher than 5mA of current, a REF1112 combined with an OPA347 can sink up to 10mA of current. This configuration is shown in Figure 5, and through appropriate selection of R1 and R2, can be used to provide a wide range of stable reference voltages. The REF1112 is also useful for level shifting, and as shown in Figure 6, can be used to achieve the full input range of an ADC.

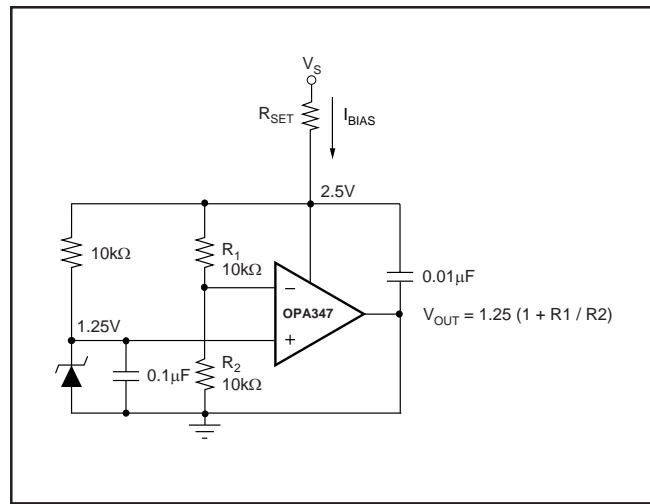


FIGURE 5. Adjustable Voltage Shunt Reference

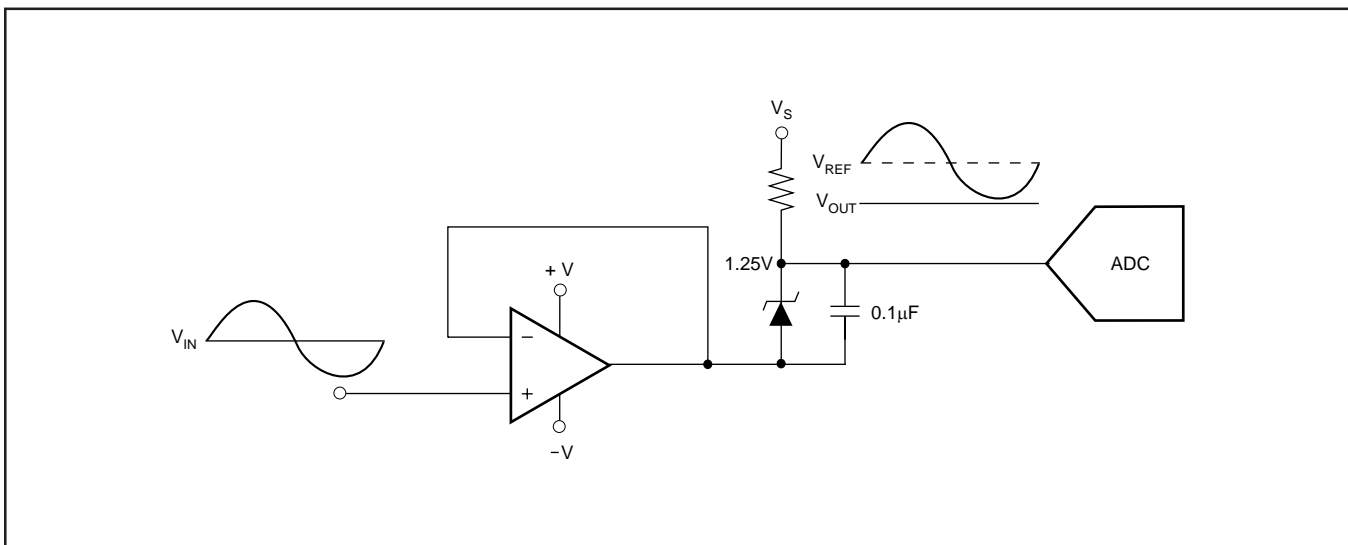
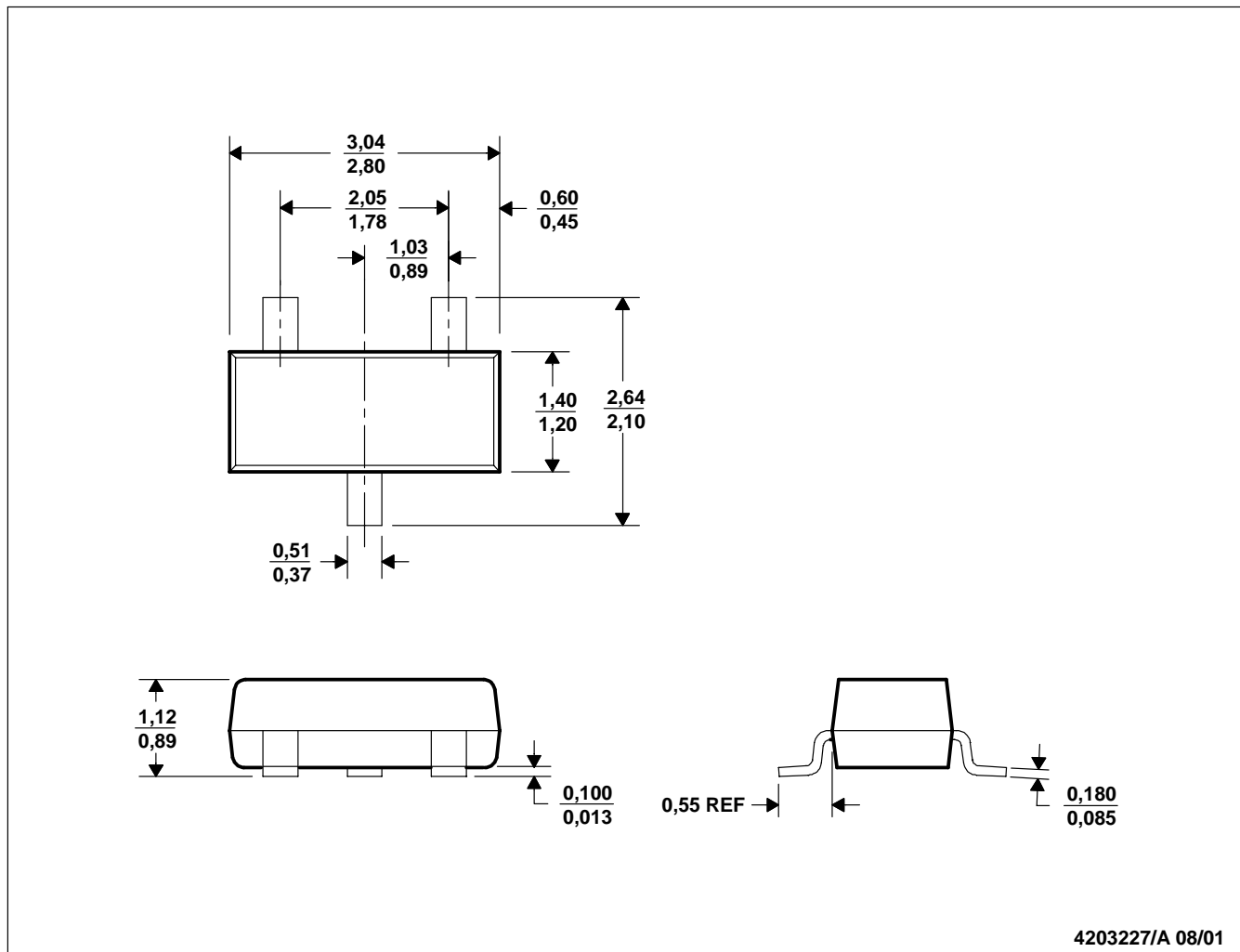


FIGURE 6. REF1112 Provides a Level Shift to Achieve Full ADC Input Range.

DBZ (R-PDSO-G3)

PLASTIC SMALL-OUTLINE



- NOTES: A. All linear dimensions are in millimeters.
 B. This drawing is subject to change without notice.
 C. Dimensions are inclusive of plating.
 D. Dimensions are exclusive of mold flash and metal burr.

IMPORTANT NOTICE

Texas Instruments Incorporated and its subsidiaries (TI) reserve the right to make corrections, modifications, enhancements, improvements, and other changes to its products and services at any time and to discontinue any product or service without notice. Customers should obtain the latest relevant information before placing orders and should verify that such information is current and complete. All products are sold subject to TI's terms and conditions of sale supplied at the time of order acknowledgment.

TI warrants performance of its hardware products to the specifications applicable at the time of sale in accordance with TI's standard warranty. Testing and other quality control techniques are used to the extent TI deems necessary to support this warranty. Except where mandated by government requirements, testing of all parameters of each product is not necessarily performed.

TI assumes no liability for applications assistance or customer product design. Customers are responsible for their products and applications using TI components. To minimize the risks associated with customer products and applications, customers should provide adequate design and operating safeguards.

TI does not warrant or represent that any license, either express or implied, is granted under any TI patent right, copyright, mask work right, or other TI intellectual property right relating to any combination, machine, or process in which TI products or services are used. Information published by TI regarding third-party products or services does not constitute a license from TI to use such products or services or a warranty or endorsement thereof. Use of such information may require a license from a third party under the patents or other intellectual property of the third party, or a license from TI under the patents or other intellectual property of TI.

Reproduction of information in TI data books or data sheets is permissible only if reproduction is without alteration and is accompanied by all associated warranties, conditions, limitations, and notices. Reproduction of this information with alteration is an unfair and deceptive business practice. TI is not responsible or liable for such altered documentation.

Resale of TI products or services with statements different from or beyond the parameters stated by TI for that product or service voids all express and any implied warranties for the associated TI product or service and is an unfair and deceptive business practice. TI is not responsible or liable for any such statements.

Following are URLs where you can obtain information on other Texas Instruments products and application solutions:

Products		Applications	
Amplifiers	amplifier.ti.com	Audio	www.ti.com/audio
Data Converters	dataconverter.ti.com	Automotive	www.ti.com/automotive
DSP	dsp.ti.com	Broadband	www.ti.com/broadband
Interface	interface.ti.com	Digital Control	www.ti.com/digitalcontrol
Logic	logic.ti.com	Military	www.ti.com/military
Power Mgmt	power.ti.com	Optical Networking	www.ti.com/opticalnetwork
Microcontrollers	microcontroller.ti.com	Security	www.ti.com/security
		Telephony	www.ti.com/telephony
		Video & Imaging	www.ti.com/video
		Wireless	www.ti.com/wireless

Mailing Address: Texas Instruments
Post Office Box 655303 Dallas, Texas 75265

Copyright © 2003, Texas Instruments Incorporated