

**Microelectronic Power IC**

HEXFET® Power MOSFET Photovoltaic Relay  
Single Pole, Normally Open,  
0-280VAC (RMS) or 0-400VDC, 1.0A AC/DC

**General Description**

The PVX6012 Photovoltaic Relay is a single-pole, normally open solid-state relay that can replace electromechanical relays in many applications. It utilizes an IGBT output switch, driven by an integrated circuit photovoltaic generator of novel construction. The output switch is controlled by radiation from a GaAlAs light emitting diode (LED) which is optically isolated from the photovoltaic generator.

The PVX6012 is ideally suited for switching medium power loads. It offers high operating speed, low and stable on-state voltage drop as well as low off-state leakage current.

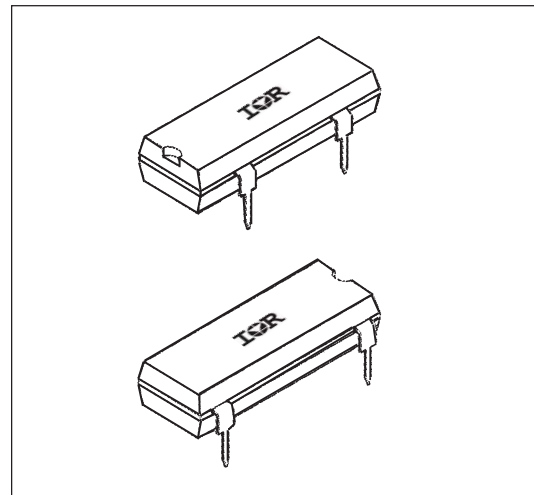
PVX6012 relays are packaged in a 14-pin, molded DIP package in thru-hole. It is available in standard plastic shipping tubes.

**Features**

- IGBT and HEXFRED™ output
- Bounce-free operation
- 3,750 VRMS I/O isolation
- High load current capacity
- Low off-state leakage current
- Solid-State reliability
- UL recognized

**Applications**

- Test Equipment
- Industrial Controls and Automation
- Electromechanical Relay Replacement
- Mercury-wetted Relay Replacement



**Part Identification**

PVX6012PbF thru-hole

*(HEXFET is the registered trademark for International Rectifier's power MOSFETs)*

**Electrical Specifications** (-40°C ≤ T<sub>A</sub> ≤ +85°C unless otherwise specified)

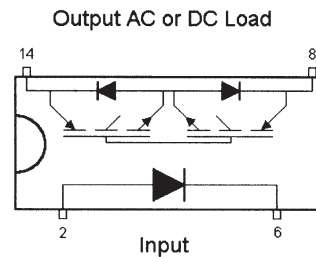
| INPUT CHARACTERISTICS  | Limits    | Units |
|--|-----------|-------|
| Minimum Control Current (see figure 1)                                 | 5.0       | mA    |
| Maximum Control Current for Off-State Leakage @T <sub>A</sub> =+25°C   | 0.4       | mA    |
| Control Current Range (Caution: current limit input LED, see figure 6) | 5.0 to 25 | mA    |
| Maximum Reverse Voltage  | 6.0       | V     |

| OUTPUT CHARACTERISTICS  | Limits         | Units              |
|---|----------------|--------------------|
| Transient Overvoltage Protection  | 600            | V(DC or AC peak)   |
| Operating Voltage   | 0-280<br>0-400 | V(AC) RMS<br>V(DC) |
| Maximum Load Current @ T <sub>A</sub> = +40°C                           | 1.0            | A(DC)              |
| 5mA Control (see figure 1 and Note 1)                                   | 1.0            | A (AC) RMS         |
| Maximum Surge Current   |                |                    |
| non-repetitive, 1 sec.  | 5              | A(DC)              |
| non-repetitive 20 msec. (see figure 2)                                  | 20             | A(DC)              |
| Maximum On-State Voltage Drop @T <sub>A</sub> =+25°C                    | 2.5            | V                  |
| For 1A pulsed load, 5mA Control (see figures 3 and 4)                   |                |                    |
| Maximum Off-State Leakage @T <sub>A</sub> =+25°C, ± 400V (see figure 5) | 10             | µA                 |
| Maximum Turn-On Time @T <sub>A</sub> =+25°C (see figure 8)              | 7              | ms                 |
| For 1A, 400 V <sub>DC</sub> load, 5mA Control                           |                |                    |
| Maximum Turn-Off Time @T <sub>A</sub> =+25°C (see figure 8)             | 1              | ms                 |
| For 1A, 400 V <sub>DC</sub> load, 5mA Control                           |                |                    |
| Maximum Output Capacitance @ 100V <sub>DC</sub> (see figure 7)          | 50             | pF                 |

**Notes:** Load handling capability to 0.2 power factor requires overvoltage protection.

| GENERAL CHARACTERISTICS                                | Limits           | Units            |
|--|------------------|------------------|
| Minimum Dielectric Strength, Input-Output              | 3750             | V <sub>RMS</sub> |
| Minimum Insulation Resistance, Input-Output            | 10 <sup>12</sup> | Ω                |
| @T <sub>A</sub> =+25°C, 50%RH, 100V <sub>DC</sub>      |                  |                  |
| Maximum Capacitance, Input-Output                      | 1.0              | pF               |
| Maximum Pin Soldering Temperature (10 seconds maximum) | +260             |                  |
| Ambient Temperature Range:                             |                  | °C               |
| Operating  | -40 to +85       |                  |
| Storage  | -40 to +100      |                  |

International Rectifier does not recommend the use of this product in aerospace, avionics, military or life support applications. Users of this International Rectifier product in such applications assume all risks of such use and indemnify International Rectifier against all damages resulting from such use.

**Connection Diagram**


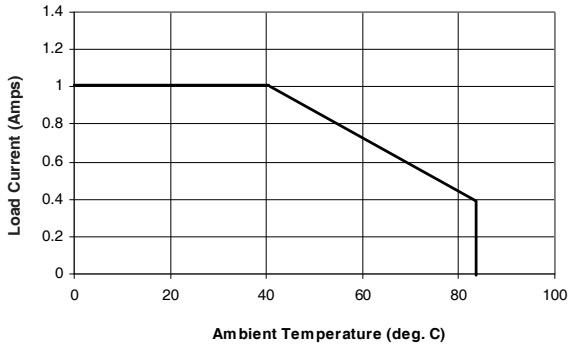


Figure 1. Current Derating Curve

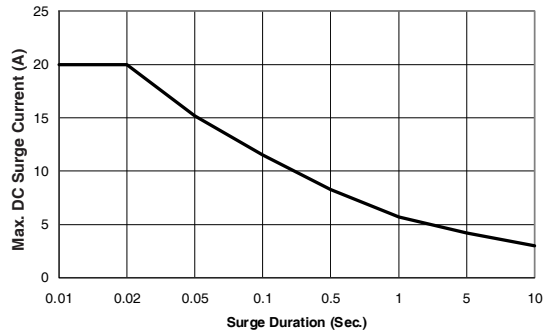


Figure 2. Surge Current Capability

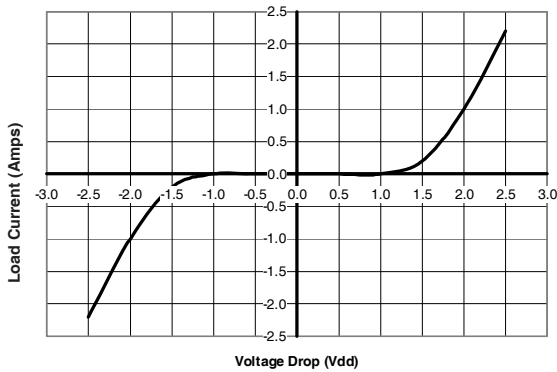


Figure 3. Output Characteristics

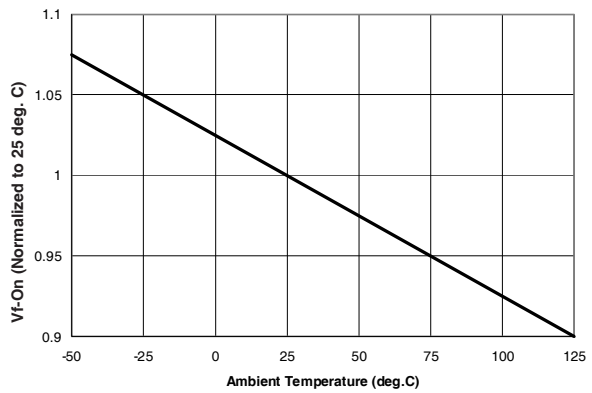


Figure 4. Typical Normalized VCEON

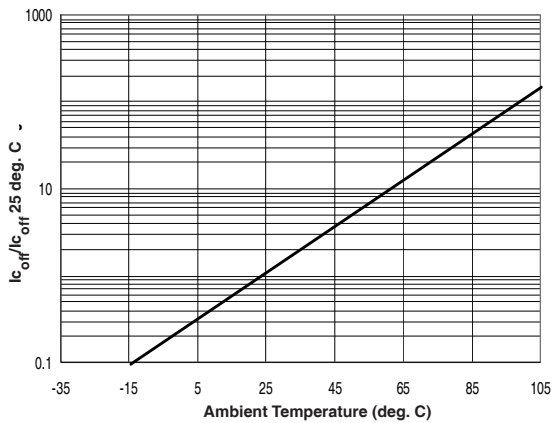


Figure 5. Typical Normalized Off-State Leakage

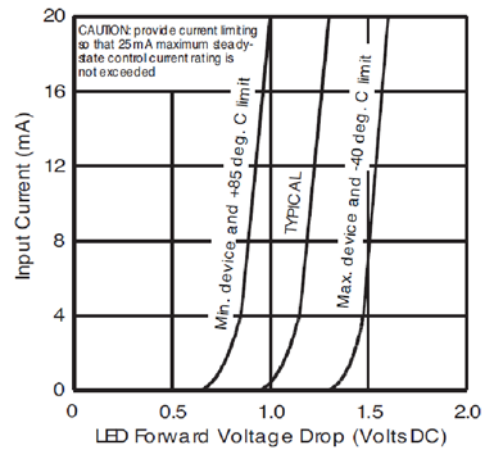


Figure 6. Input Characteristics (Current Controlled)

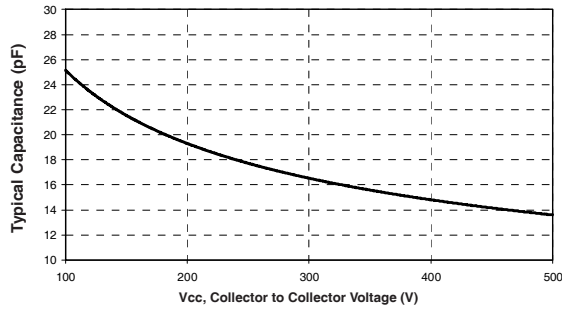


Figure 7. Typical Output Capacitance

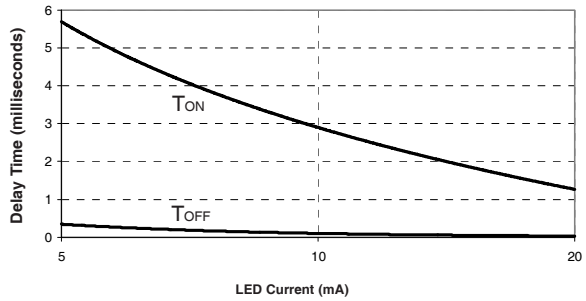


Figure 8. Typical Delay Times

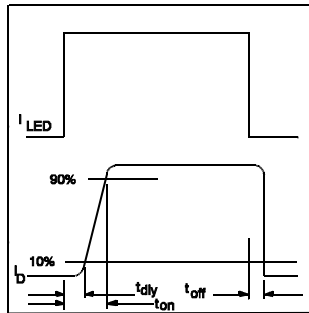
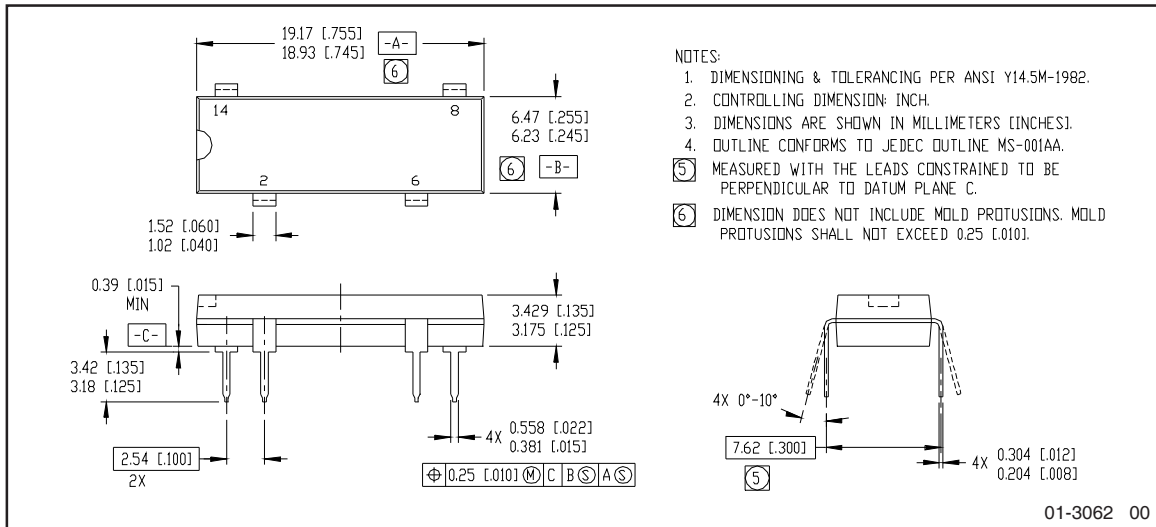


Figure 9. Delay Time Definitions

### Case Outline



Note: For the most current drawing please refer to IR website at: <http://www.irf.com/package/>

**Qualification information<sup>†</sup>**

|                            |  |     |
|----------------------------|--|-----|
| Qualification level        | Industrial<br>(per JEDEC JESD47I <sup>††</sup> guidelines) |     |
| Moisture Sensitivity Level | PVX6012PbF   | N/A |
| RoHS compliant             | Yes  |     |

<sup>†</sup> Qualification standards can be found at International Rectifier's web site: <http://www.irf.com/product-info/reliability>

<sup>††</sup> Applicable version of JEDEC standard at the time of product release

**Revision History**

| Date     | Comment   |
|----------|---|
| 6/9/2015 | <ul style="list-style-type: none"> <li>• Added Qualification Information table on page 5.</li> <li>• Updated data sheet based on corporate template.</li> </ul> |