

## 2.5V to 3.3V, Low-Skew, 1:4 Differential PECL Fanout Buffer

### Features

- Four Differential 2.5V/3.3V LVPECL Output Pairs
- Output Frequency:  $\leq 800$  MHz
- Two Selectable Differential Input Pairs
- Translates Any Standard Single-Ended or Differential Input Format to LVPECL Output. It Can Accept the Following Standard Input Formats and More:
  - LVPECL, LVCMOS, LVDS, HCSL, SSTL, LVHSTL, CML
- Output Skew: 25 ps (typ.)
- Part-to-Part Skew: 140 ps (typ.)
- Propagation Delay: 1.5 ns (typ.)
- Additive Jitter:  $< 100$  fs (max.)
- Operating Supply Voltage: 2.375V ~ 3.63V
- Operating Temperature Range from  $-40^{\circ}\text{C}$  to  $+85^{\circ}\text{C}$
- Package Availability: 16-Pin QFN and 20-Pin TSSOP

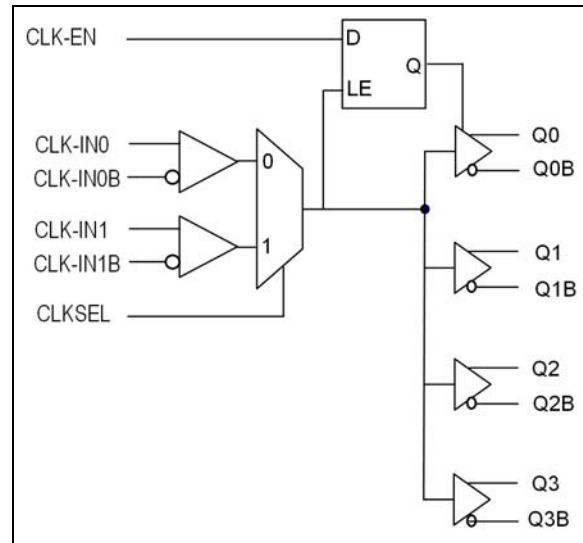
### General Description

The PL138-48 is a high performance low-cost 1:4 outputs differential LVPECL fanout buffer.

Microchip's family of differential LVPECL buffers are designed to operate from a single power supply of 2.5V  $\pm 5\%$  or 3.3V  $\pm 10\%$ . The differential input pairs are designed to accept most standard input signal levels, using an appropriate resistor bias network, and produce a high quality set of outputs with the lowest possible skew on the outputs, which is guaranteed for part-to-part or lot-to-lot skew.

Designed to fit in a small form-factor package, the PL138-48 offers up to 800 MHz of output operation with very low-power consumption and lowest additive jitter of any comparable device.

### Block Diagram



# PL138-48

## 1.0 ELECTRICAL CHARACTERISTICS

### Absolute Maximum Ratings †

Supply Voltage ( $V_{DD}$ )	.....+4.6V
Input Voltage, DC ( $V_I$ )	.....-0.5V to $V_{DD}+0.5V$
Output Voltage, DC ( $V_O$ )	.....-0.5V to $V_{DD}+0.5V$
ESD Protection (HBM)	.....2 kV

† **Notice:** Stresses above those listed under “Absolute Maximum Ratings” may cause permanent damage to the device. This is a stress rating only and functional operation of the device at those or any other conditions above those indicated in the operational sections of this specification is not intended. Exposure to maximum rating conditions for extended periods may affect device reliability.

### DC ELECTRICAL CHARACTERISTICS

Specifications:  $V_{CC} = 3.3V$ ;  $V_{EE} = 0V$ . Input and output parameters vary 1:1 with  $V_{CC}$  when  $V_{CC}$  varies  $\pm 10\%$ .

Parameters	Symbol	Min.	Typ.	Max.	Units	Conditions
Output High Voltage, (Note 1)	$V_{OH}$	2.215	2.320	2.420	V	At -40°C
		2.275	2.350	2.420		At +25°C
		2.275	2.350	2.420		At +85°C
Output Voltage Low, (Note 1)	$V_{OL}$	1.470	1.610	1.745	V	At -40°C
		1.490	1.585	1.680		At +25°C
		1.490	1.585	1.680		At +85°C
Input High Voltage	$V_{IH}$	2.075	—	2.420	V	At -40°C
		2.135	—	2.420		At +25°C
		2.135	—	2.420		At +85°C
Input Low Voltage	$V_{IL}$	1.470	—	1.890	V	At -40°C
		1.490	—	1.825		At +25°C
		1.490	—	1.825		At +85°C
Output Voltage Reference, (Note 2)	$V_{BB}$	1.86	—	1.98	V	At -40°C
		1.92	—	2.04		At +25°C
		1.92	—	2.04		At +85°C
Input High Voltage Common Mode Range, (Note 3, Note 4)	$V_{CMR}$	1.2	—	3.3	V	At -40°C
		1.2	—	3.3		At +25°C
		1.2	—	3.3		At +85°C
Input High Current, (Note 5)	$I_{IH}$	—	—	75	$\mu A$	At -40°C
		—	—	75		At +25°C
		—	—	75		At +85°C
Input Low Current, (Note 5)	$I_{IL}$	-75	—	—	$\mu A$	At -40°C
		-75	—	—		At +25°C
		-75	—	—		At +85°C

**Note 1:** Outputs terminated with  $50\Omega$  to  $V_{CCO}-2V$ .

**2:** Single-ended input operation is limited to  $V_{CC} \geq 3V$  in LVPECL mode.

**3:** Common mode voltage is defined as  $V_{IH}$ .

**4:** For single-ended applications, the maximum input voltage for CLK-INx, CLK-INxB is  $V_{CC}+0.3V$ .

**5:** CLK-IN0, CLK-IN1; CLK-IN0B, CLK-IN1B.

## DC ELECTRICAL CHARACTERISTICS

Specifications:  $V_{CC} = 2.5V$ ;  $V_{EE} = 0V$ . Input and output parameters vary 1:1 with  $V_{CC}$  when  $V_{CC}$  varies  $\pm 5\%$ .

Parameters	Symbol	Min.	Typ.	Max.	Units	Conditions
Output High Voltage, (Note 1)	$V_{OH}$	1.415	1.520	1.620	V	At $-40^{\circ}C$
		1.475	1.550	1.620		At $+25^{\circ}C$
		1.475	1.550	1.620		At $+85^{\circ}C$
Output Voltage Low, (Note 1)	$V_{OL}$	0.670	0.810	0.945	V	At $-40^{\circ}C$
		0.690	0.785	0.880		At $+25^{\circ}C$
		0.690	0.785	0.880		At $+85^{\circ}C$
Input High Voltage	$V_{IH}$	1.275	—	1.620	V	At $-40^{\circ}C$
		1.335	—	1.620		At $+25^{\circ}C$
		1.335	—	1.620		At $+85^{\circ}C$
Input Low Voltage	$V_{IL}$	0.670	—	1.090	V	At $-40^{\circ}C$
		0.690	—	1.025		At $+25^{\circ}C$
		0.690	—	1.025		At $+85^{\circ}C$
Input High Voltage Common Mode Range, (Note 2, Note 3)	$V_{CMR}$	1.2	—	2.5	V	At $-40^{\circ}C$
		1.2	—	2.5		At $+25^{\circ}C$
		1.2	—	2.5		At $+85^{\circ}C$
Input High Current, (Note 4)	$I_{IH}$	—	—	60	$\mu A$	At $-40^{\circ}C$
		—	—	60		At $+25^{\circ}C$
		—	—	60		At $+85^{\circ}C$
Input Low Current, (Note 4)	$I_{IL}$	-60	—	—	$\mu A$	At $-40^{\circ}C$
		-60	—	—		At $+25^{\circ}C$
		-60	—	—		At $+85^{\circ}C$

**Note 1:** Outputs terminated with  $50\Omega$  to  $V_{CCO}-2V$ .

**2:** Common mode voltage is defined as  $V_{IH}$ .

**3:** For single-ended applications, the maximum input voltage for CLK-INx, CLK-INxB is  $V_{CC}+0.3V$ .

**4:** CLK-IN0, CLK-IN1; CLK-IN0B, CLK-IN1B.

# PL138-48

## AC ELECTRICAL CHARACTERISTICS

$V_{CC} = -3.8V$  to  $-2.375V$  or  $V_{CC} = 2.375V$  to  $3.8V$ ;  $V_{EE} = 0V$ ;  $T_A = -40^{\circ}C$  to  $+85^{\circ}C$ . All parameters are measured at  $f \leq 800$  MHz unless otherwise noted.

Parameters	Symbol	Min.	Typ.	Max.	Units	Conditions
Output Frequency	$f_{MAX}$	—	—	800	MHz	At all temperatures
Propagation Delay, (Note 1)	$t_{PD}$	600	680	750	ps	At $-40^{\circ}C$
		650	725	790		At $+25^{\circ}C$
		690	790	890		At $+85^{\circ}C$
Output Skew, (Note 2, Note 4)	$t_{SK(O)}$	—	25	37	ps	At all temperatures
Part-to-Part Skew, (Note 3, Note 4)	$t_{SK(PP)}$	—	85	225	ps	At all temperatures
Buffer Additive Phase Jitter, RMS	$t_{APJ}$	—	—	0.10	ps	At all temperatures; refer to <a href="#">Noise Characteristics</a> section
Peak-to-Peak Input Voltage (Differential Configuration)	$V_{PP}$	150	800	1200	mV	At all temperatures
Peak-to-Peak Output Voltage	$V_{SWING}$	470	800	950	mV	At $-40^{\circ}C$
		600	800	930		At $+25^{\circ}C$
		600	800	930		At $+85^{\circ}C$
Output Rise/Fall Time	$t_R/t_F$	200	—	550	ps	At all temperatures; 20% to 80% at full output swing.

- Note 1:** Measured from the differential input crossing point to the differential output crossing point.
- Note 2:** Defined as skew between outputs at the same supply voltage and with equal load conditions. Measured at the output differential cross points.
- Note 3:** Defined as skew between outputs on different devices operating at the same supply voltages and with equal load conditions. Using the same type of inputs on each device, the outputs are measured at the differential cross points.
- Note 4:** This parameter is defined in accordance with JEDEC Standard 65.

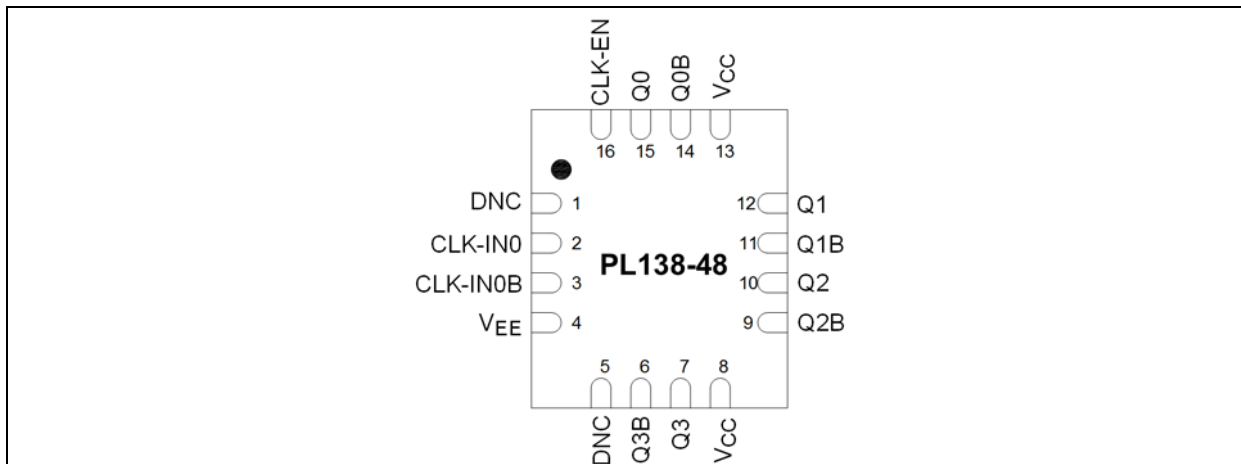
## TEMPERATURE SPECIFICATIONS (Note 1)

Parameters	Sym.	Min.	Typ.	Max.	Units	Conditions
<b>Temperature Ranges</b>						
Ambient Operating Temperature	$T_A$	-40	—	+85	°C	Note 2
Junction Temperature	$T_J$	—	—	+110	°C	—
Storage Temperature Range	$T_S$	-65	—	+150	°C	—
Soldering Temperature	—	—	—	+260	°C	10 sec.

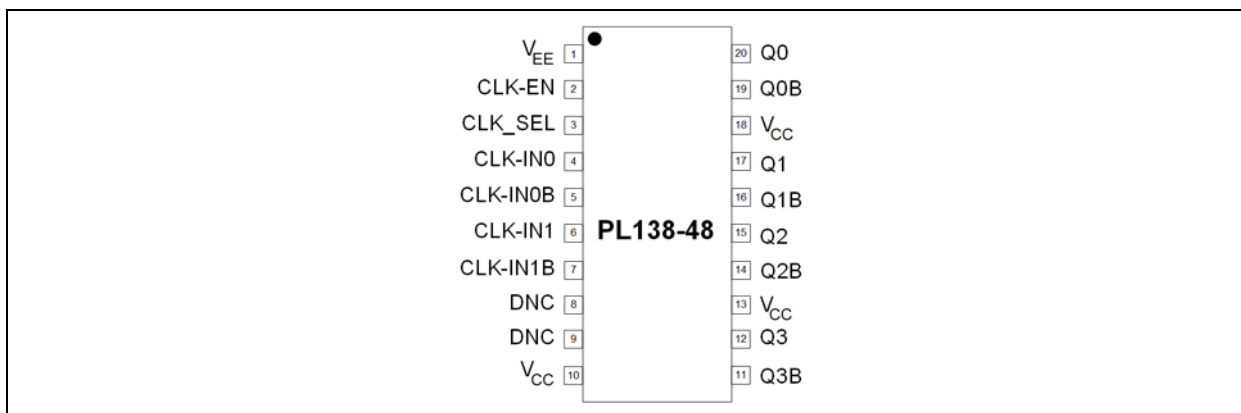
- Note 1:** The maximum allowable power dissipation is a function of ambient temperature, the maximum allowable junction temperature, and the thermal resistance from junction to air (i.e.,  $T_A$ ,  $T_J$ ,  $\theta_{JA}$ ). Exceeding the maximum allowable power dissipation will cause the device operating junction temperature to exceed the maximum +125°C rating. Sustained junction temperatures above +125°C can impact the device reliability.
- 2:** Operating temperature is guaranteed by design for all parts (commercial and industrial), but tested for commercial grade only.

# PL138-48

## 2.0 PIN DESCRIPTIONS



**FIGURE 2-1:** Pin Configuration, 16-Pin QFN.



**FIGURE 2-2:** Pin Configuration, 20-Pin TSSOP.

The descriptions of the pins are listed in [Table 2-1](#).

**TABLE 2-1: PIN FUNCTION TABLE**

Pin Number QFN-16	Pin Number TSSOP-20	Pin Name	Type	Description
4	1	$V_{EE}$	P	Power supply pin connection.
16	2	CLK-EN	I	Synchronizing clock enable. When HIGH, clock outputs follow clock input. When LOW, Q outputs are forced low, QB outputs are forced high. LVTTTL/LVCMOS interface levels. 50 k $\Omega$ internal pull-up resistor.
—	3	CLK-SEL	I	Clock select input. When HIGH, selects CLK1 input. When LOW, selects CLK0 input. LVTTTL/LVCMOS interface levels. 50 k $\Omega$ internal pull-down resistor.
2	4	CLK-IN0	I	True part of differential clock input signal. 75 k $\Omega$ internal pull-down resistor.
3	5	CLK-IN0B	I	Complementary part of differential clock input signal. 100 k $\Omega$ internal pull-up and pull-down resistors.

**TABLE 2-1: PIN FUNCTION TABLE (CONTINUED)**

Pin Number QFN-16	Pin Number TSSOP-20	Pin Name	Type	Description
—	6	CLK-IN1	I	True part of differential clock input signal. 75 kΩ internal pull-down resistor.
—	7	CLK-IN1B	I	Complementary part of differential clock input signal. 100 kΩ internal pull-up and pull-down resistors.
1, 5	8, 9	DNC	—	Do Not Connect.
8, 13	10, 13, 18	V <sub>CC</sub>	P	Power supply pin connection.
6, 9, 11, 14	11, 14, 16, 19	QB0 ~ QB3	O	LVPECL Complementary output.
7, 10, 12, 15	12, 15, 17, 20	Q0 ~ Q3	O	LVPECL True output.

# PL138-48

## 3.0 NOISE CHARACTERISTICS

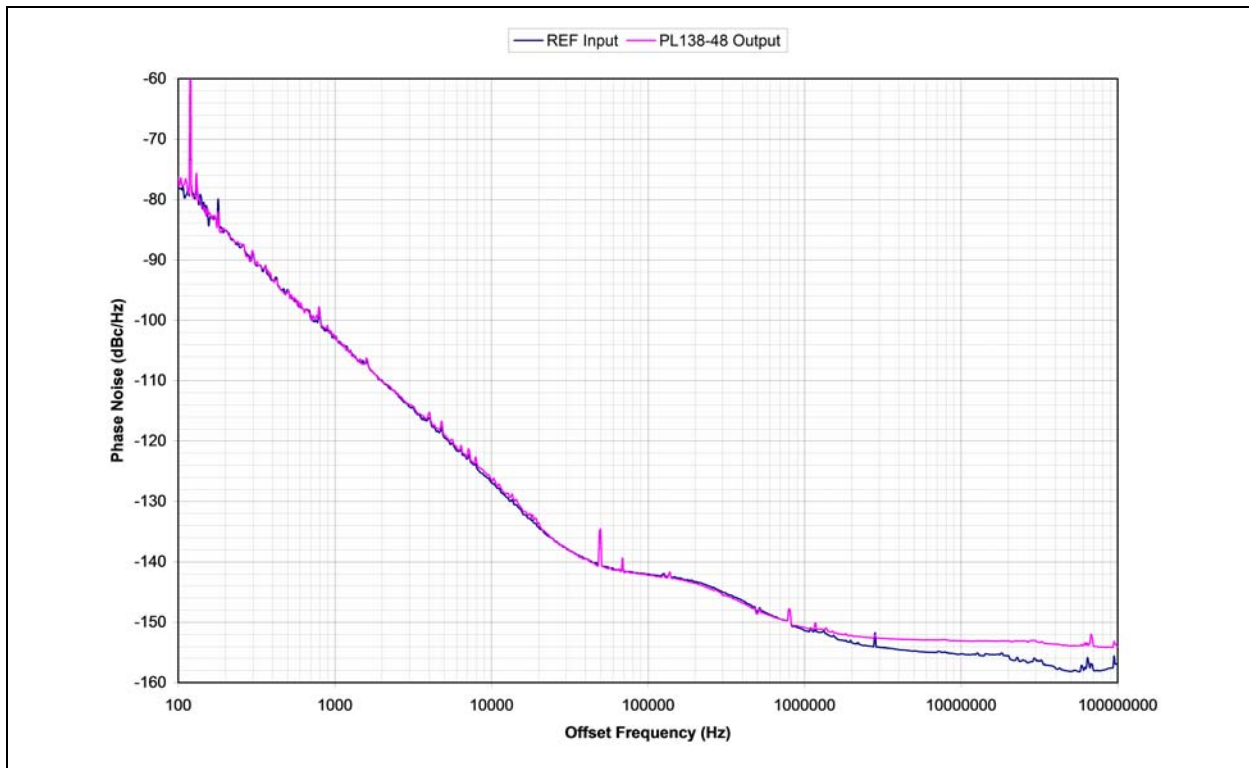
When a buffer is used to pass a signal, the buffer adds a little bit of its own noise. The phase noise on the output of the buffer will be a little bit more than the phase noise of the input signal. To quantify the noise addition in the buffer we compare the Phase Jitter numbers from the input and the output. The difference is called "Additive Phase Jitter". The formula for the Additive Phase Jitter is as follows:

**EQUATION 3-1:**

$$AdditivePhaseJitter = \sqrt{OutputPhaseJitter^2 - InputPhaseJitter^2}$$

**TABLE 3-1: PL138-48 NOISE CHARACTERISTICS**

Parameters	Symbol	Min.	Typ.	Max.	Units	Conditions
Additive Phase Jitter	t <sub>APJ</sub>	—	20	40	fs	V <sub>DD</sub> = 3.3V, Frequency = 622.08 MHz Offset = 12 kHz ~ 20 MHz
		—	50	100		V <sub>DD</sub> = 3.3V, Frequency = 156.25 MHz Offset = 12 kHz ~ 20 MHz
		—	50	100		V <sub>DD</sub> = 3.3V, Frequency = 50 MHz Offset = 1 kHz ~ 1 MHz
		—	50	100		V <sub>DD</sub> = 3.3V, Frequency = 25 MHz Offset = 1 kHz ~ 1 MHz



**FIGURE 3-1:** PL138-48 Additive Phase Jitter Plot, 622 MHz.



4.0 PARAMETER MEASUREMENT INFORMATION

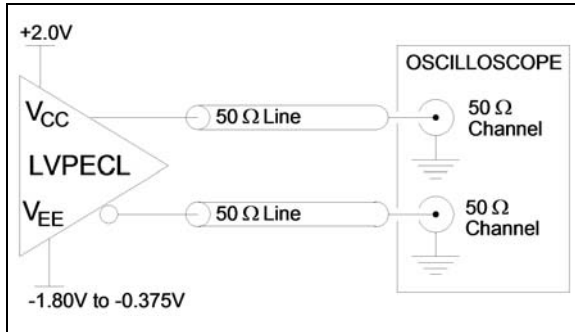


FIGURE 4-1: Output Waveform Test Circuit.

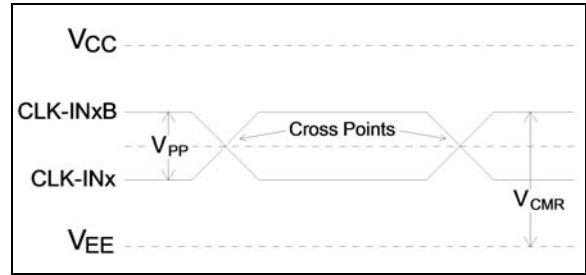


FIGURE 4-4: Differential Input Level.

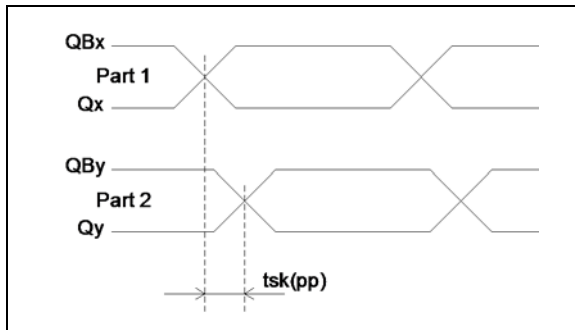


FIGURE 4-2: Part-to-Part Skew.

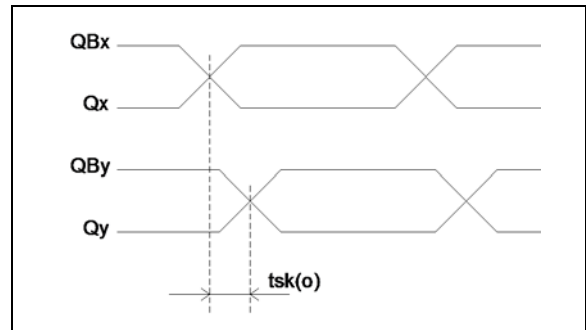


FIGURE 4-5: Output Skew.

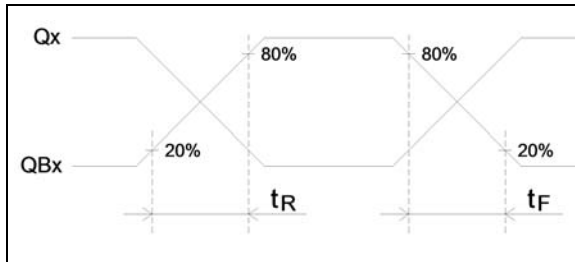


FIGURE 4-3: Output Rise/Fall Time.

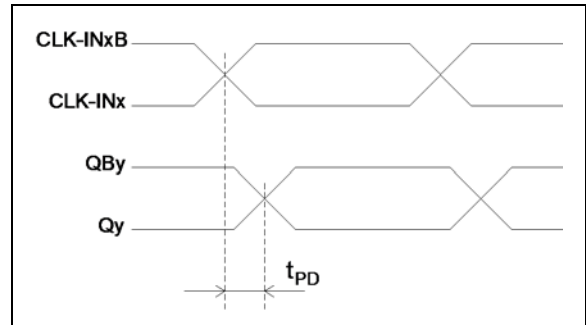
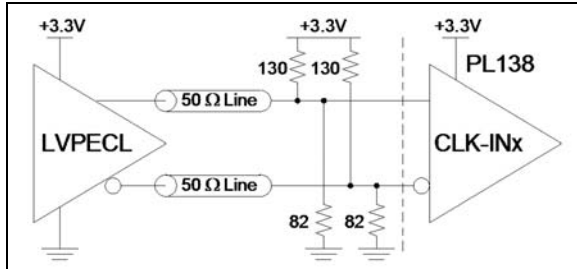


FIGURE 4-6: Propagation Delay.

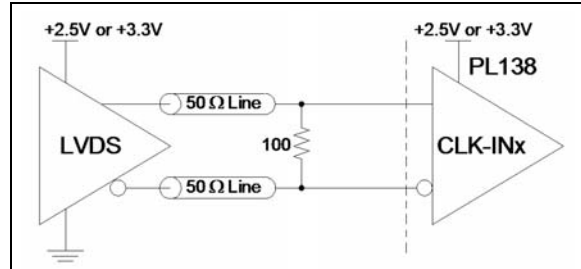
## 5.0 APPLICATION INFORMATION

### 5.1 Input Logic Configurations

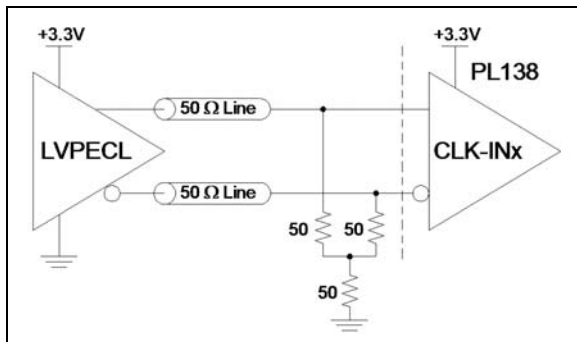
The following circuits show different configurations for different input logic type signals. For good signal integrity at the PL138 input, the signals need to be properly terminated according to the logic type requirements. The signals need to be presented at the PL138 input according to  $V_{CMR}$ ,  $V_{PP}$  and other input requirements.



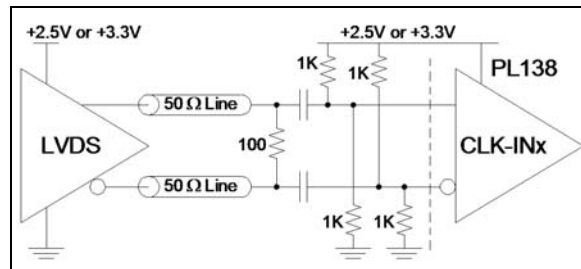
**FIGURE 5-1:** CLK-IN Input Driven by a 3.3V LVPECL Driver.



**FIGURE 5-5:** CLK-IN Input Driven by an LVDS Driver.

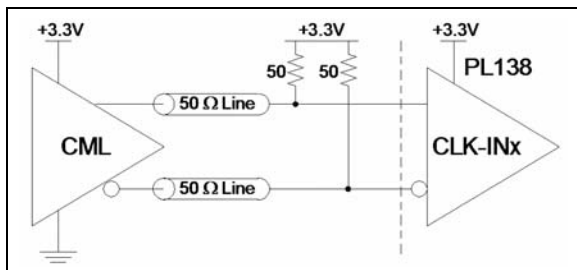


**FIGURE 5-2:** 3.3V LVPECL Driver, Alternative Termination.

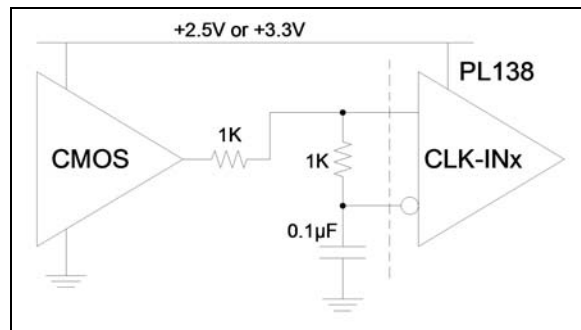


**FIGURE 5-6:** LVDS Driver, Alternative AC-Coupling.

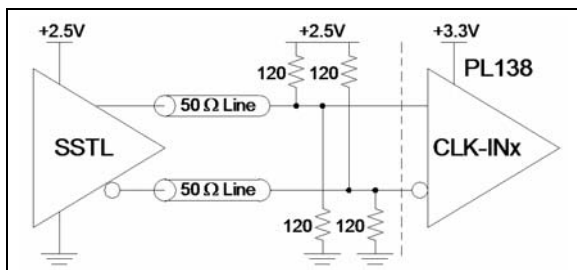
This circuit is for compatibility only. AC-coupling is not really required for LVDS. The  $V_{CMR}$  range of the PL138 reaches low enough that LVDS signals can be connected directly to the PL138 input like in the circuit in [Figure 5-5](#).



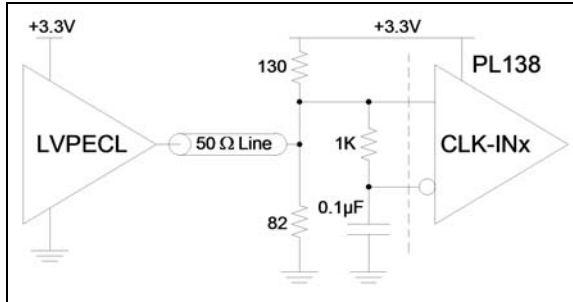
**FIGURE 5-3:** CLK-IN Input Driven by a CML Driver.



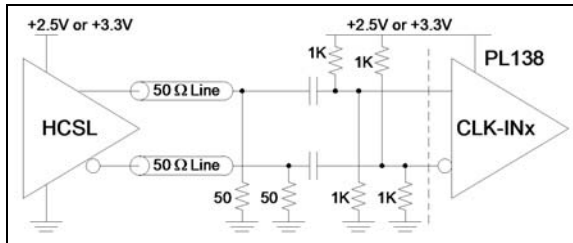
**FIGURE 5-7:** CLK-IN Input Driven by a CMOS Driver.



**FIGURE 5-4:** CLK-IN Input Driven by an SSTL Driver.

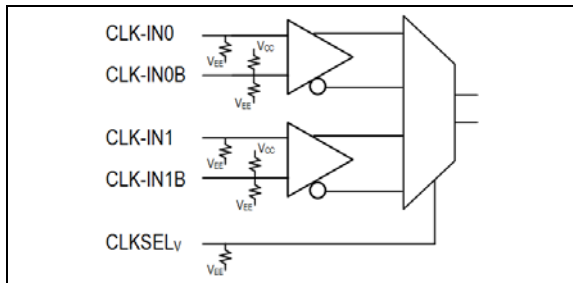


**FIGURE 5-8:** CLK-IN Input Driven by a Single-Ended LVPECL.



**FIGURE 5-9:** CLK-IN Input Driven by an HCSL Driver.

HCSL presents its signals very close to the ground rail, below the  $V_{CMR}$  range, so the HCSL signals cannot be connected to the PL138 input directly. AC-coupling is required for HCSL signals on the PL138 input.



**FIGURE 5-10:** Input Logic Block Diagram.

**TABLE 5-1: INPUT PIN CHARACTERISTICS**

Input	Parameter	Min.	Typ.	Max.	Units
CLK-IN0, CLK-IN1	Pull-Down Resistor	—	75	—	kΩ
CLK-IN0B, CLK-IN1B	Pull-Up & Pull-Down Resistors	—	100	—	
CLK-EN	Pull-Up Resistor	—	50	—	
CLKSEL	Pull-Down Resistor	—	50	—	

**TABLE 5-2: INPUT CLOCK CONTROL SELECTION**

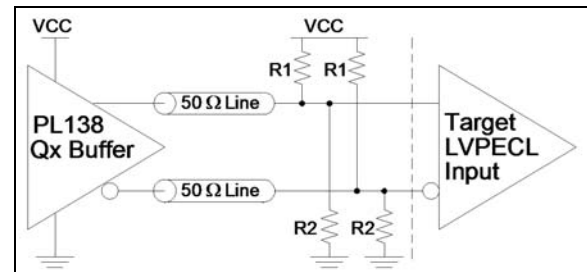
CLK_SEL	Selected Source
0	CLK-IN0
1	CLK-IN1

**TABLE 5-3: INPUT CLOCK FUNCTION**

Inputs			Outputs	
CLK-EN	CLKSEL	Source	Q0:Q3	Q0B:Q3B
0	0	CLK-IN0	Disabled Low	Disabled High
0	1	CLK-IN1	Disabled Low	Disabled High
1	0	CLK-IN0	Enabled	Enabled
1	1	CLK-IN1	Enabled	Enabled

## 5.2 Termination for LVPECL Outputs

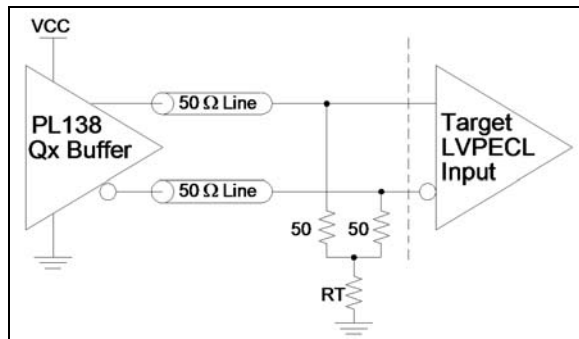
The required termination for LVPECL is 50Ω to a  $V_{CC}-2V$  DC voltage level. Below are two schematics to implement this termination.



**FIGURE 5-11:** LVPECL Termination Schematic #1.

- $V_{CC} = 3.3V$ 
  - Ideal values:  $R1 = 127\Omega$ ,  $R2 = 82.5\Omega$
  - Commercial values (E24):  $R1 = 130\Omega$ ,  $R2 = 82\Omega$
- $V_{CC} = 2.5V$ 
  - Ideal values:  $R1 = 250\Omega$ ,  $R2 = 62.5\Omega$
  - Commercial values (E24):  $R1 = 240\Omega$ ,  $R2 = 62\Omega$

# PL138-48



**FIGURE 5-12:** LVPECL Termination Schematic #2.

Schematic #2 is an alternative simplified termination.

- $V_{CC} = 3.3V$ 
  - Ideal value:  $RT = 48.7\Omega$
  - Commercial value:  $RT = 50\Omega$  (E24:  $51\Omega$ )
- $V_{CC} = 2.5V$ 
  - Ideal value:  $RT = 18.7\Omega$
  - Commercial value:  $RT = 18\Omega$

## 5.3 Power Considerations

Driving LVPECL outputs requires an amount of power that can warm up the chip significantly.

The general requirement for the chip is that the junction temperature should not exceed  $+110^{\circ}C$ .

The power consumption can be divided into two parts:

1. Core power dissipation
2. Output buffer power dissipation

### 5.3.1 CORE POWER DISSIPATION

The chip core power is equal to  $V_{CC} \times I_{EE}$ . With a worst case  $V_{CC}$  and  $I_{EE}$ , the power dissipation in the core is  $3.63V \times 45\text{ mA} = 163\text{ mW}$ .

### 5.3.2 OUTPUT BUFFER POWER DISSIPATION

The output buffers are not exposed to the full  $V_{CC} - V_{EE}$  voltage. On the differential output, one line is at logic 1 with a small voltage across the buffer and a large output current. The other line is at logic 0 with a larger voltage across the buffer and a smaller output current. The power dissipation per output buffer is 32 mW. Only buffers that are loaded will have power dissipation. With all 4 buffers loaded the worst case output buffer power dissipation will be 128 mW.

Total chip power dissipation, worst case, is  $163\text{ mW} + 128\text{ mW} = 291\text{ mW}$ .

### 5.3.3 JUNCTION TEMPERATURE

How much the chip is warmed up from the power dissipation depends upon the thermal resistance from the chip to the environment, also known as "junction to

ambient". The thermal resistance depends upon the type of package, how the package is assembled to the PCB and if there is additional air flow for improved cooling.

**TABLE 5-4: 20-PIN TSSOP THERMAL RESISTANCE**

Air Flow Velocity in Linear Feet/Minute	$\theta_{JA}$ Value for JEDEC Standard Multi-Layer PCB
0	$73^{\circ}C/W$
200	$67^{\circ}C/W$
500	$64^{\circ}C/W$

The temperature of the chip (junction) will be higher than the environment (ambient) with an amount equal to  $\theta_{JA} \times \text{Power}$ . For an ambient temperature of  $+85^{\circ}C$ , all outputs loaded and no air flow, the junction temperature  $T_J = 85^{\circ}C + 73 \times 0.291 = 106^{\circ}C$ .

**TABLE 5-5: 16-PIN QFN THERMAL RESISTANCE**

Air Flow Velocity in Linear Feet/Minute	$\theta_{JA}$ Value for JEDEC Standard Multi-Layer PCB
0	$60^{\circ}C/W$
200	$53^{\circ}C/W$
500	$46^{\circ}C/W$

The temperature of the chip (junction) will be higher than the environment (ambient) with an amount equal to  $\theta_{JA} \times \text{Power}$ . For an ambient temperature of  $+85^{\circ}C$ , all outputs loaded and no air flow, the junction temperature  $T_J = 85^{\circ}C + 60 \times 0.291 = 102^{\circ}C$ .

## 6.0 PACKAGE MARKING INFORMATION

### 16-Lead QFN 3.0 mm x 3.5 mm Package Outline and Recommended Land Pattern

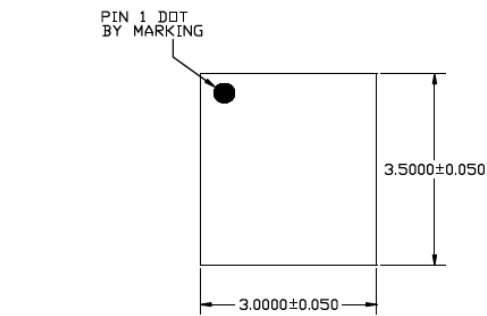
**Note:** For the most current package drawings, please see the Microchip Packaging Specification located at <http://www.microchip.com/packaging>

**TITLE**

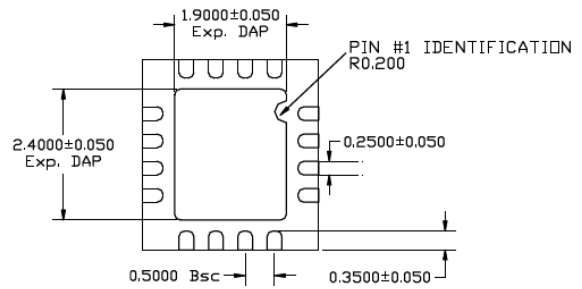
16 LEAD QFN 3.0x3.5mm PACKAGE OUTLINE & RECOMMENDED LAND PATTERN

**DRAWING #** QFN3035-16LD-PL-1

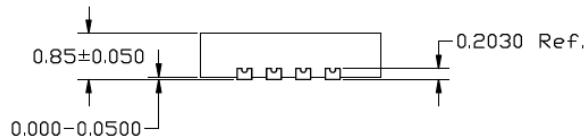
**UNIT** MM



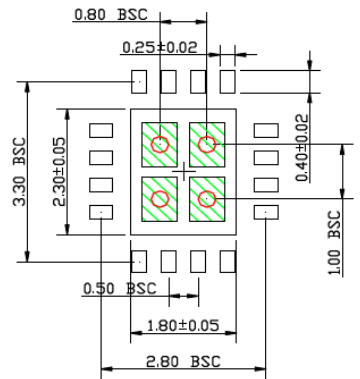
**TOP VIEW**  
NOTE: 1, 2, 3



**BOTTOM VIEW**  
NOTE: 1, 2, 3



**SIDE VIEW**  
NOTE: 1, 2, 3



**RECOMMENDED LAND PATTERN**  
NOTE: 4, 5

**NOTE:**

1. MAX PACKAGE WARPAGE IS 0.05 MM
2. MAX ALLOWABLE BURR IS 0.076MM IN ALL DIRECTIONS
3. PIN #1 IS ON TOP WILL BE LASER MARKED
4. RED CIRCLE IN LAND PATTERN REPRESENT THERMAL VIA. RECOMMENDED DIAMETER IS 0.30 - 0.35 MM AND SHOULD BE CONNECTED TO GND FOR MAX THERMAL PERFORMANCE
5. GREEN RECTANGLES (SHADED AREA) REPRESENT SOLDER STENCIL OPENING ON EXPOSED PAD AREA. SIZE SHOULD BE 0.80x0.60 MM, 0.20 MM SPACING.

# PL138-48

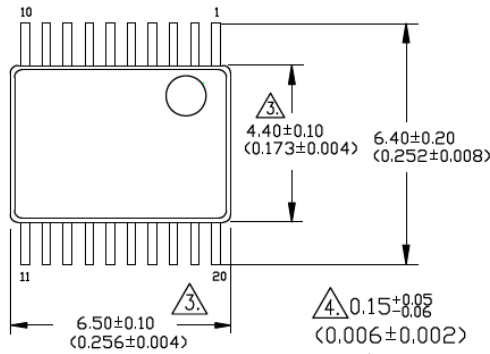
## 20-Lead TSSOP Package Outline and Recommended Land Pattern

**Note:** For the most current package drawings, please see the Microchip Packaging Specification located at <http://www.microchip.com/packaging>

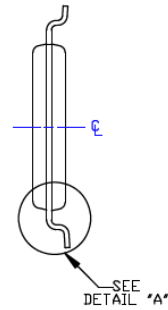
**TITLE**

20 LEAD TSSOP PACKAGE OUTLINE & RECOMMENDED LAND PATTERN

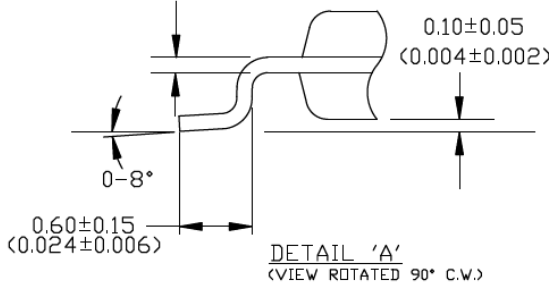
<b>DRAWING #</b>	TSSOP-20LD-PL-1	<b>UNIT</b>	MM [INCH]
------------------	-----------------	-------------	-----------



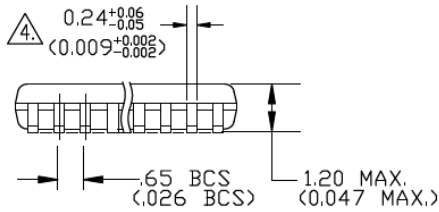
**TOP VIEW**  
NOTES : 1, 2, 3



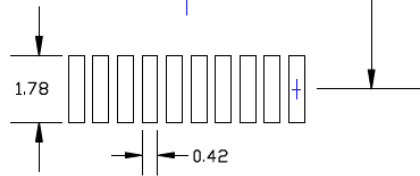
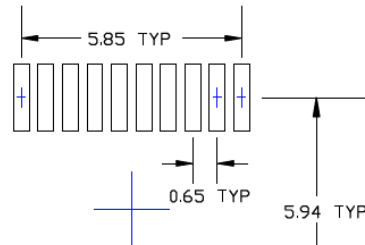
**END VIEW**



**DETAIL 'A'**  
(VIEW ROTATED 90° C.W.)



**SIDE VIEW**  
NOTES : 1, 2, 4



**RECOMMENDED LAND PATTERN**

**NOTES:**

1. DIMENSIONS ARE IN MM [INCHES].
2. CONTROLLING DIMENSION: MM.
3. DIMENSION DOES NOT INCLUDE MOLD FLASH OF 0.254[0.010] MAX.
4. THIS DIMENSION INCLUDES LEAD FINISH.

## **APPENDIX A: REVISION HISTORY**

### **Revision A (May 2016)**

- Converted Micrel data sheet PL138-48 to Microchip DS20005543A.
- Minor text changes throughout.

### **Revision B (June 2016)**

- Updated output frequency tolerances to 800 MHz.

NOTES:



## PRODUCT IDENTIFICATION SYSTEM

To order or obtain information, e.g., on pricing or delivery, contact your local Microchip representative or sales office.

<u>PART NO.</u>		X	X	-X
Device	Package	Temperature Range	Packing Option	
<b>Device:</b>	PL138-48:	2.5V - 3.3V, Low-Skew, 1:4 Differential PECL Fanout Buffer		
<b>Package:</b>	O	=	20-Pin TSSOP	
	Q	=	16-Pin QFN	
<b>Temperature Range:</b>	C	=	0°C to +70°C (Commercial)	
	I	=	-40°C to +85°C (Industrial)	
<b>Packing Option:</b>	Blank	=	Tube	
	R	=	Tape & Reel	

<b>Examples:</b>	
a) PL138-48OC-R:	2.5V - 3.3V, Low-Skew, 1:4 Differential PECL Fanout Buffer, 20-Pin TSSOP, Commercial Temperature Range, Tape & Reel
b) PL138-48QI:	2.5V - 3.3V, Low-Skew, 1:4 Differential PECL Fanout Buffer, 16-Pin QFN, Industrial Temperature Range, Tube
c) PL138-48OI-R:	2.5V - 3.3V, Low-Skew, 1:4 Differential PECL Fanout Buffer, 20-Pin TSSOP, Industrial Temperature Range, Tape & Reel
d) PL138-48QC:	2.5V - 3.3V, Low-Skew, 1:4 Differential PECL Fanout Buffer, 16-Pin QFN, Commercial Temperature Range, Tube

NOTES:

---

**Note the following details of the code protection feature on Microchip devices:**

- Microchip products meet the specification contained in their particular Microchip Data Sheet.
- Microchip believes that its family of products is one of the most secure families of its kind on the market today, when used in the intended manner and under normal conditions.
- There are dishonest and possibly illegal methods used to breach the code protection feature. All of these methods, to our knowledge, require using the Microchip products in a manner outside the operating specifications contained in Microchip's Data Sheets. Most likely, the person doing so is engaged in theft of intellectual property.
- Microchip is willing to work with the customer who is concerned about the integrity of their code.
- Neither Microchip nor any other semiconductor manufacturer can guarantee the security of their code. Code protection does not mean that we are guaranteeing the product as “unbreakable.”

Code protection is constantly evolving. We at Microchip are committed to continuously improving the code protection features of our products. Attempts to break Microchip's code protection feature may be a violation of the Digital Millennium Copyright Act. If such acts allow unauthorized access to your software or other copyrighted work, you may have a right to sue for relief under that Act.

---

Information contained in this publication regarding device applications and the like is provided only for your convenience and may be superseded by updates. It is your responsibility to ensure that your application meets with your specifications. MICROCHIP MAKES NO REPRESENTATIONS OR WARRANTIES OF ANY KIND WHETHER EXPRESS OR IMPLIED, WRITTEN OR ORAL, STATUTORY OR OTHERWISE, RELATED TO THE INFORMATION, INCLUDING BUT NOT LIMITED TO ITS CONDITION, QUALITY, PERFORMANCE, MERCHANTABILITY OR FITNESS FOR PURPOSE. Microchip disclaims all liability arising from this information and its use. Use of Microchip devices in life support and/or safety applications is entirely at the buyer's risk, and the buyer agrees to defend, indemnify and hold harmless Microchip from any and all damages, claims, suits, or expenses resulting from such use. No licenses are conveyed, implicitly or otherwise, under any Microchip intellectual property rights unless otherwise stated.

*Microchip received ISO/TS-16949:2009 certification for its worldwide headquarters, design and wafer fabrication facilities in Chandler and Tempe, Arizona; Gresham, Oregon and design centers in California and India. The Company's quality system processes and procedures are for its PIC® MCUs and dsPIC® DSCs, KEELoc® code hopping devices, Serial EEPROMs, microperipherals, nonvolatile memory and analog products. In addition, Microchip's quality system for the design and manufacture of development systems is ISO 9001:2000 certified.*

**QUALITY MANAGEMENT SYSTEM  
CERTIFIED BY DNV  
= ISO/TS 16949 =**

### Trademarks

The Microchip name and logo, the Microchip logo, AnyRate, dsPIC, FlashFlex, flexPWR, Heldo, JukeBlox, KeeLoq, KeeLoq logo, Klear, LANCheck, LINK MD, MediaLB, MOST, MOST logo, MPLAB, OptoLyzer, PIC, PICSTART, PIC32 logo, RightTouch, SpyNIC, SST, SST Logo, SuperFlash and UNI/O are registered trademarks of Microchip Technology Incorporated in the U.S.A. and other countries.

ClockWorks, The Embedded Control Solutions Company, ETHERSYNCH, Hyper Speed Control, HyperLight Load, IntelliMOS, mTouch, Precision Edge, and QUIET-WIRE are registered trademarks of Microchip Technology Incorporated in the U.S.A.

Analog-for-the-Digital Age, Any Capacitor, AnyIn, AnyOut, BodyCom, chipKIT, chipKIT logo, CodeGuard, dsPICDEM, dsPICDEM.net, Dynamic Average Matching, DAM, ECAN, EtherGREEN, In-Circuit Serial Programming, ICSP, Inter-Chip Connectivity, JitterBlocker, KlearNet, KlearNet logo, MiWi, motorBench, MPASM, MPF, MPLAB Certified logo, MPLIB, MPLINK, MultiTRAK, NetDetach, Omniscient Code Generation, PICDEM, PICDEM.net, PICkit, PICtail, PureSilicon, RightTouch logo, REAL ICE, Ripple Blocker, Serial Quad I/O, SQL, SuperSwitcher, SuperSwitcher II, Total Endurance, TSHARC, USBCheck, VariSense, ViewSpan, WiperLock, Wireless DNA, and ZENA are trademarks of Microchip Technology Incorporated in the U.S.A. and other countries.

SQTP is a service mark of Microchip Technology Incorporated in the U.S.A.

Silicon Storage Technology is a registered trademark of Microchip Technology Inc. in other countries.

GestIC is a registered trademarks of Microchip Technology Germany II GmbH & Co. KG, a subsidiary of Microchip Technology Inc., in other countries.

All other trademarks mentioned herein are property of their respective companies.

© 2016, Microchip Technology Incorporated, Printed in the U.S.A., All Rights Reserved.

ISBN: 978-1-5224-0540-5



# MICROCHIP

## Worldwide Sales and Service

### AMERICAS

**Corporate Office**  
2355 West Chandler Blvd.  
Chandler, AZ 85224-6199  
Tel: 480-792-7200  
Fax: 480-792-7277  
Technical Support:  
<http://www.microchip.com/support>

Web Address:  
[www.microchip.com](http://www.microchip.com)

**Atlanta**  
Duluth, GA  
Tel: 678-957-9614  
Fax: 678-957-1455

**Austin, TX**  
Tel: 512-257-3370

**Boston**  
Westborough, MA  
Tel: 774-760-0087  
Fax: 774-760-0088

**Chicago**  
Itasca, IL  
Tel: 630-285-0071  
Fax: 630-285-0075

**Cleveland**  
Independence, OH  
Tel: 216-447-0464  
Fax: 216-447-0643

**Dallas**  
Addison, TX  
Tel: 972-818-7423  
Fax: 972-818-2924

**Detroit**  
Novi, MI  
Tel: 248-848-4000

**Houston, TX**  
Tel: 281-894-5983

**Indianapolis**  
Noblesville, IN  
Tel: 317-773-8323  
Fax: 317-773-5453

**Los Angeles**  
Mission Viejo, CA  
Tel: 949-462-9523  
Fax: 949-462-9608

**New York, NY**  
Tel: 631-435-6000

**San Jose, CA**  
Tel: 408-735-9110

**Canada - Toronto**  
Tel: 905-673-0699  
Fax: 905-673-6509

### ASIA/PACIFIC

**Asia Pacific Office**  
Suites 3707-14, 37th Floor  
Tower 6, The Gateway  
Harbour City, Kowloon

**Hong Kong**  
Tel: 852-2943-5100  
Fax: 852-2401-3431

**Australia - Sydney**  
Tel: 61-2-9868-6733  
Fax: 61-2-9868-6755

**China - Beijing**  
Tel: 86-10-8569-7000  
Fax: 86-10-8528-2104

**China - Chengdu**  
Tel: 86-28-8665-5511  
Fax: 86-28-8665-7889

**China - Chongqing**  
Tel: 86-23-8980-9588  
Fax: 86-23-8980-9500

**China - Dongguan**  
Tel: 86-769-8702-9880

**China - Guangzhou**  
Tel: 86-20-8755-8029

**China - Hangzhou**  
Tel: 86-571-8792-8115  
Fax: 86-571-8792-8116

**China - Hong Kong SAR**  
Tel: 852-2943-5100  
Fax: 852-2401-3431

**China - Nanjing**  
Tel: 86-25-8473-2460  
Fax: 86-25-8473-2470

**China - Qingdao**  
Tel: 86-532-8502-7355  
Fax: 86-532-8502-7205

**China - Shanghai**  
Tel: 86-21-5407-5533  
Fax: 86-21-5407-5066

**China - Shenyang**  
Tel: 86-24-2334-2829  
Fax: 86-24-2334-2393

**China - Shenzhen**  
Tel: 86-755-8864-2200  
Fax: 86-755-8203-1760

**China - Wuhan**  
Tel: 86-27-5980-5300  
Fax: 86-27-5980-5118

**China - Xian**  
Tel: 86-29-8833-7252  
Fax: 86-29-8833-7256

### ASIA/PACIFIC

**China - Xiamen**  
Tel: 86-592-2388138  
Fax: 86-592-2388130

**China - Zhuhai**  
Tel: 86-756-3210040  
Fax: 86-756-3210049

**India - Bangalore**  
Tel: 91-80-3090-4444  
Fax: 91-80-3090-4123

**India - New Delhi**  
Tel: 91-11-4160-8631  
Fax: 91-11-4160-8632

**India - Pune**  
Tel: 91-20-3019-1500

**Japan - Osaka**  
Tel: 81-6-6152-7160  
Fax: 81-6-6152-9310

**Japan - Tokyo**  
Tel: 81-3-6880-3770  
Fax: 81-3-6880-3771

**Korea - Daegu**  
Tel: 82-53-744-4301  
Fax: 82-53-744-4302

**Korea - Seoul**  
Tel: 82-2-554-7200  
Fax: 82-2-558-5932 or  
82-2-558-5934

**Malaysia - Kuala Lumpur**  
Tel: 60-3-6201-9857  
Fax: 60-3-6201-9859

**Malaysia - Penang**  
Tel: 60-4-227-8870  
Fax: 60-4-227-4068

**Philippines - Manila**  
Tel: 63-2-634-9065  
Fax: 63-2-634-9069

**Singapore**  
Tel: 65-6334-8870  
Fax: 65-6334-8850

**Taiwan - Hsin Chu**  
Tel: 886-3-5778-366  
Fax: 886-3-5770-955

**Taiwan - Kaohsiung**  
Tel: 886-7-213-7828

**Taiwan - Taipei**  
Tel: 886-2-2508-8600  
Fax: 886-2-2508-0102

**Thailand - Bangkok**  
Tel: 66-2-694-1351  
Fax: 66-2-694-1350

### EUROPE

**Austria - Wels**  
Tel: 43-7242-2244-39  
Fax: 43-7242-2244-393

**Denmark - Copenhagen**  
Tel: 45-4450-2828  
Fax: 45-4485-2829

**France - Paris**  
Tel: 33-1-69-53-63-20  
Fax: 33-1-69-30-90-79

**Germany - Dusseldorf**  
Tel: 49-2129-3766400

**Germany - Karlsruhe**  
Tel: 49-721-625370

**Germany - Munich**  
Tel: 49-89-627-144-0  
Fax: 49-89-627-144-44

**Italy - Milan**  
Tel: 39-0331-742611  
Fax: 39-0331-466781

**Italy - Venice**  
Tel: 39-049-7625286

**Netherlands - Drunen**  
Tel: 31-416-690399  
Fax: 31-416-690340

**Poland - Warsaw**  
Tel: 48-22-3325737

**Spain - Madrid**  
Tel: 34-91-708-08-90  
Fax: 34-91-708-08-91

**Sweden - Stockholm**  
Tel: 46-8-5090-4654

**UK - Wokingham**  
Tel: 44-118-921-5800  
Fax: 44-118-921-5820

06/17/16