

PANDUIT PART NUMBER		STUD SIZE	DIMENSIONS in.				
			A $\pm .03$	W $\pm .01$	C MIN	M $\pm .03$	H $\pm .01$
P18-4R	-C -M	#4	.62 (15.8)	.25 (6.4)	.21 (5.3)	.50 (12.7)	.12 (3.1)
P18-6RN	-C -M	#6	.60 (15.2)	.22 (5.6)	.19 (4.8)	.49 (12.5)	.15 (3.8)
P18-6R	-C -M	#6	.62 (15.8)	.25 (6.4)	.21 (5.3)	.50 (12.7)	.15 (3.8)
P18-8R	-C -M	#8	.71 (18.0)	.31 (7.9)	.25 (6.4)	.55 (14.0)	.17 (4.3)
P18-10R	-C -M	#10	.71 (18.0)	.31 (7.9)	.25 (6.4)	.55 (14.0)	.20 (5.1)
P18-14R	-C -M	1/4"	.91 (23.1)	.46 (11.7)	.38 (9.7)	.68 (17.3)	.27 (6.9)
P18-56R	-C -M	5/16"	.91 (23.1)	.46 (11.7)	.38 (9.7)	.68 (17.3)	.34 (8.6)
P18-38R	-C -M	3/8"	1.00 (25.4)	.53 (13.5)	.43 (10.9)	.73 (18.5)	.40 (10.2)
P18-12R	-C	1/2"	1.20 (30.5)	.72 (18.3)	.53 (13.5)	.84 (21.3)	.52 (13.2)

NOTES:

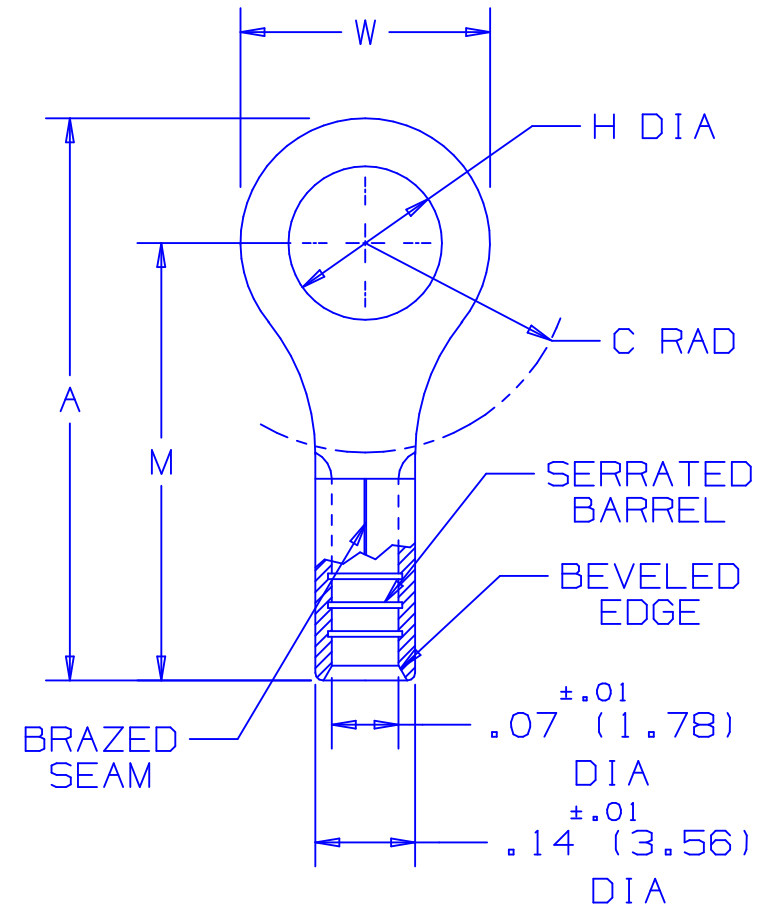
- UL LISTED AND CSA CERTIFIED FOR:
  - #22-16 AWG SOLID OR STRANDED COPPER WIRE
  - 302° F (150° C) MAX. TEMP. RATING
- MATERIAL:
  - STAMPING - .03" (.8) THK COPPER, TIN PLATED
- PACKAGE QTY: STD. PKG. C=100  
BULK PKG. M=1000
- DIMENSIONS IN BRACKETS ARE IN MILLIMETERS
- INSTALLATION TOOLS:
  - UL LISTED AND CSA CERTIFIED: CT-100, CT-200, CT-570, CT-1570
  - PANDUIT APPROVED: CT-160, CT-260
- WIRE STRIP LENGTH: 9/32  $^{+1/32}_{-0}$  (7.1  $^{+.8}_{-0}$ )



LISTED  
587H  
E52164



CERTIFIED  
LR31212



A41263\_06

**PANDUIT** CORP.

TINLEY PARK, ILLINOIS

#22-18 BARREL NON-INSULATED  
RING TONGUE

REV	DATE	BY	CHK	DESCRIPTION	ECN #	CUST	PM
06	5/02	SRB		CHANGED (DIMS) TO 1 PL DECIMAL			
05	4/02	SRB		ADDED P18-12R	10171		

DRAWN BY	CHK'D	SCALE	DRAWING NO.
DAW	RLS	NONE	A41263