



## 2.2nV/ $\sqrt{\text{Hz}}$ , Low-Power, 36V, OPERATIONAL AMPLIFIER

Check for Samples: [OPA209](#), [OPA2209](#), [OPA4209](#)

### FEATURES

- **LOW VOLTAGE NOISE:** 2.2nV/ $\sqrt{\text{Hz}}$  at 1kHz
- **0.1Hz to 10Hz NOISE:** 130nV<sub>PP</sub>
- **LOW QUIESCENT CURRENT:** 2.5mA/Ch (max)
- **LOW OFFSET VOLTAGE:** 150 $\mu\text{V}$  (max)
- **GAIN BANDWIDTH PRODUCT:** 18MHz
- **SLEW RATE:** 6.4V/ $\mu\text{s}$
- **WIDE SUPPLY RANGE:**  
 $\pm 2.25\text{V}$  to  $\pm 18\text{V}$ , +4.5V to +36V
- **RAIL-TO-RAIL OUTPUT**
- **SHORT-CIRCUIT CURRENT:**  $\pm 65\text{mA}$
- **AVAILABLE IN SOT23-5, MSOP-8, SO-8, AND TSSOP-14 PACKAGES**

### APPLICATIONS

- PLL LOOP FILTERS
- LOW-NOISE, LOW-POWER SIGNAL PROCESSING
- LOW-NOISE INSTRUMENTATION AMPLIFIERS
- HIGH-PERFORMANCE ADC DRIVERS
- HIGH-PERFORMANCE DAC OUTPUT AMPLIFIERS
- ACTIVE FILTERS
- ULTRASOUND AMPLIFIERS
- PROFESSIONAL AUDIO PREAMPLIFIERS
- LOW-NOISE FREQUENCY SYNTHESIZERS
- INFRARED DETECTOR AMPLIFIERS
- HYDROPHONE AMPLIFIERS

### DESCRIPTION

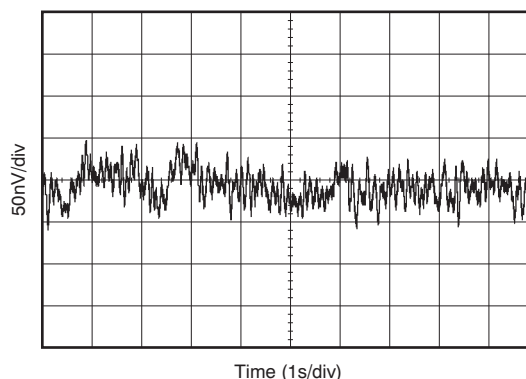
The OPA209 series of precision operational amplifiers achieve very low voltage noise density (2.2nV/ $\sqrt{\text{Hz}}$ ) with a supply current of only 2.5mA (max). This series also offers rail-to-rail output swing, which helps to maximize dynamic range.

In precision data acquisition applications, the OPA209 provides fast settling time to 16-bit accuracy, even for 10V output swings. This excellent ac performance, combined with only 150 $\mu\text{V}$  (max) of offset and low drift over temperature, makes the OPA209 very suitable for fast, high-precision applications.

The OPA209 is specified over a wide dual power-supply range of  $\pm 2.25$  to  $\pm 18\text{V}$ , or single-supply operation from +4.5V to +36V.

The OPA209 is available in the SOT23-5, MSOP-8 and the standard SO-8 packages. The dual OPA2209 comes in both MSOP-8 and SO-8 packages. The quad OPA4209 is available in the TSSOP-14 package.

The OPA209 series is specified from  $-40^{\circ}\text{C}$  to  $+125^{\circ}\text{C}$ .

**0.1Hz to 10Hz NOISE**


Please be aware that an important notice concerning availability, standard warranty, and use in critical applications of Texas Instruments semiconductor products and disclaimers thereto appears at the end of this data sheet.

All trademarks are the property of their respective owners.



This integrated circuit can be damaged by ESD. Texas Instruments recommends that all integrated circuits be handled with appropriate precautions. Failure to observe proper handling and installation procedures can cause damage.

ESD damage can range from subtle performance degradation to complete device failure. Precision integrated circuits may be more susceptible to damage because very small parametric changes could cause the device not to meet its published specifications.

### ORDERING INFORMATION<sup>(1)</sup>

PRODUCT	PACKAGE-LEAD	PACKAGE DESIGNATOR	PACKAGE MARKING
OPA209	SOT23-5	DBV	OOBQ
	MSOP-8	DGK	OOAQ
	SO-8	D	OPA209A
OPA2209	MSOP-8	DGK	OOJI
	SO-8	D	O2209
OPA4209	TSSOP-14	PW	OPA4209

(1) For the most current package and ordering information see the Package Option Addendum at the end of this document, or see the TI web site at [www.ti.com](http://www.ti.com).

### ABSOLUTE MAXIMUM RATINGS<sup>(1)</sup>

		OPA209, OPA2209, OPA4209	UNIT
Supply Voltage	$V_S = (V+) - (V-)$	40	V
Signal Input Terminal, Voltage <sup>(2)</sup>		$(V-) - 0.5$ to $(V+) + 0.5$	V
Signal Input Terminal, Current (except power-supply pins) <sup>(2)</sup>		10	mA
Output Short-Circuit <sup>(3)</sup>		Continuous	
Operating Temperature	$T_A$	-55 to +150	°C
Storage Temperature	$T_A$	-65 to +150	°C
Junction Temperature	$T_J$	+200	°C
ESD Ratings:	Human Body Model (HBM)	3000	V
	Charged Device Model (CDM)	1000	V

(1) Stresses above these ratings may cause permanent damage. Exposure to absolute maximum conditions for extended periods may degrade device reliability. These are stress ratings only, and functional operation of the device at these or any other conditions beyond those specified is not implied.

(2) For input voltages beyond the power-supply rails, voltage or current must be limited.

(3) Short-circuit to ground, one amplifier per package.

**ELECTRICAL CHARACTERISTICS:  $V_S = \pm 2.25V$  to  $\pm 18V$** 
**Boldface** limits apply over the specified temperature range,  $T_A = -40^\circ\text{C}$  to  $+125^\circ\text{C}$ .

 At  $T_A = +25^\circ\text{C}$ ,  $R_L = 10\text{k}\Omega$  connected to midsupply, and  $V_{CM} = V_{OUT} = \text{midsupply}$ , unless otherwise noted.

PARAMETER	CONDITIONS	OPA209, OPA2209, OPA4209			UNIT	
		MIN	TYP	MAX		
<b>OFFSET VOLTAGE</b>						
Input Offset Voltage	$V_{OS}$	$V_S = \pm 15V, V_{CM} = 0V$		$\pm 35$	$\pm 150$	$\mu\text{V}$
<b>Drift</b>	<b><math>dV_{OS}/dT</math></b>			<b>1</b>	<b>3</b>	$\mu\text{V}/^\circ\text{C}$
vs Power Supply	PSRR	$V_S = \pm 2.25V$ to $\pm 18V$		0.05	0.5	$\mu\text{V}/V$
<b>over Temperature</b>		<b><math>V_S = \pm 2.25V</math> to <math>\pm 18V</math></b>			<b>1</b>	<b><math>\mu\text{V}/V</math></b>
Channel Separation, dc (dual and quad versions)				1		$\mu\text{V}/V$
<b>INPUT BIAS CURRENT</b>						
Input Bias Current	$I_B$	$V_{CM} = 0V$		$\pm 1$	$\pm 4.5$	nA
over Temperature, $-40^\circ\text{C}$ to $+85^\circ\text{C}$		$V_{CM} = 0V$			$\pm 8$	nA
<b>over Temperature, <math>-40^\circ\text{C}</math> to <math>+125^\circ\text{C}</math></b>		<b><math>V_{CM} = 0V</math></b>			<b><math>\pm 15</math></b>	<b>nA</b>
Input Offset Current	$I_{OS}$	$V_{CM} = 0V$		$\pm 0.7$	$\pm 4.5$	nA
over Temperature, $-40^\circ\text{C}$ to $+85^\circ\text{C}$		$V_{CM} = 0V$			$\pm 8$	nA
<b>over Temperature, <math>-40^\circ\text{C}</math> to <math>+125^\circ\text{C}</math></b>		<b><math>V_{CM} = 0V</math></b>			<b><math>\pm 15</math></b>	<b>nA</b>
<b>NOISE</b>						
Input Voltage Noise, = 0.1Hz to 10Hz	$e_n$			0.13		$\mu\text{V}_{PP}$
Noise Density, $f = 10\text{Hz}$				3.3		$\text{nV}/\sqrt{\text{Hz}}$
Noise Density, $f = 100\text{Hz}$				2.25		$\text{nV}/\sqrt{\text{Hz}}$
Noise Density, $f = 1\text{kHz}$				2.2		$\text{nV}/\sqrt{\text{Hz}}$
Input Current Noise Density, $f = 1\text{kHz}$	$i_n$			500		$\text{fA}/\sqrt{\text{Hz}}$
<b>INPUT VOLTAGE RANGE</b>						
Common-Mode Voltage Range	$V_{CM}$			$(V-) + 1.5V$	$(V+) - 1.5V$	V
<b>Common-Mode Rejection Ratio, over Temperature</b>	<b>CMRR</b>	<b><math>(V-) + 1.5V &lt; V_{CM} &lt; (V+) - 1.5V</math></b>		<b>120</b>	<b>130</b>	<b>dB</b>
<b>INPUT IMPEDANCE</b>						
Differential				200    4		$\text{k}\Omega$    pF
Common-Mode				$10^9$    2		$\Omega$    pF
<b>OPEN-LOOP GAIN</b>						
Open-Loop Voltage Gain	$A_{OL}$	$(V-) + 0.2V < V_O < (V+) - 0.2V, R_L = 10\text{k}\Omega$		126	132	dB
<b>over Temperature</b>		<b><math>(V-) + 0.2V &lt; V_O &lt; (V+) - 0.2V, R_L = 10\text{k}\Omega</math></b>		<b>120</b>		<b>dB</b>
		$(V-) + 0.6V < V_O < (V+) - 0.6V, R_L = 600\Omega^{(1)}$		114	120	dB
<b>over Temperature</b>		<b><math>(V-) + 0.6V &lt; V_O &lt; (V+) - 0.6V, R_L = 1\text{k}\Omega</math></b>		<b>110</b>		<b>dB</b>
<b>FREQUENCY RESPONSE</b>						
Gain Bandwidth Product	GBW				18	MHz
Slew Rate	SR				6.4	$\text{V}/\mu\text{s}$
Phase margin	$\theta_m$	$R_L = 10\text{k}\Omega, C_L = 25\text{pF}$			80	Degrees
Settling Time, 0.1%	$t_s$	$G = -1, 10V$ Step, $C_L = 100\text{pF}$			2.1	$\mu\text{s}$
Settling Time, 0.0015% (16-bit)		$G = -1, 10V$ Step, $C_L = 100\text{pF}$			2.6	$\mu\text{s}$
Overload Recovery Time		$G = -1$			< 1	$\mu\text{s}$
Total Harmonic Distortion + Noise	THD+N	$G = +1, f = 1\text{kHz}, V_O = 20V_{PP}, 600\Omega$			0.000025	%

 (1) See the [Thermal Information](#) table for additional information.

## ELECTRICAL CHARACTERISTICS: $V_S = \pm 2.25V$ to $\pm 18V$ (continued)

**Boldface** limits apply over the specified temperature range,  $T_A = -40^\circ C$  to  $+125^\circ C$ .

At  $T_A = +25^\circ C$ ,  $R_L = 10k\Omega$  connected to midsupply, and  $V_{CM} = V_{OUT} =$  midsupply, unless otherwise noted.

PARAMETER	CONDITIONS	OPA209, OPA2209, OPA4209			UNIT
		MIN	TYP	MAX	
<b>OUTPUT</b>					
Voltage Output Swing	$R_L = 10k\Omega, A_{OL} > 130dB$	(V-) + 0.2V		(V+) – 0.2V	V
	$R_L = 600\Omega, A_{OL} > 114dB$	(V-) + 0.6V		(V+) – 0.6V	V
<b>over Temperature</b>	<b><math>R_L = 10k\Omega, A_{OL} &gt; 120dB</math></b>	<b>(V-) + 0.2V</b>		<b>(V+) – 0.2V</b>	<b>V</b>
Short-Circuit Current	$I_{SC}$ $V_S = \pm 18V$		$\pm 65$		mA
Capacitive Load Drive (stable operation)	$C_{LOAD}$	See <a href="#">Typical Characteristics</a>			
Open-Loop Output Impedance	$Z_O$	See <a href="#">Typical Characteristics</a>			
<b>POWER SUPPLY</b>					
Specified Voltage	$V_S$	$\pm 2.25$		$\pm 18$	V
Quiescent Current (per amplifier)	$I_Q$ $I_O = 0A$		2.2	2.5	mA
<b>over Temperature</b>				<b>3.25</b>	<b>mA</b>
<b>TEMPERATURE RANGE</b>					
Specified Range	$T_A$	-40		+125	$^\circ C$
Operating Range	$T_A$	-55		+150	$^\circ C$

## THERMAL INFORMATION

THERMAL METRIC <sup>(1)</sup>		OPA209AID	OPA209AIDBV	OPA209AIDGK	UNITS
		D	DBV	DGK	
		8	5	8	
$\theta_{JA}$	Junction-to-ambient thermal resistance <sup>(2)</sup>	135.5	204.9	142.6	$^\circ C/W$
$\theta_{JCTop}$	Junction-to-case (top) thermal resistance	73.7	200	46.9	
$\theta_{JB}$	Junction-to-board thermal resistance	61.9	113.1	63.5	
$\psi_{JT}$	Junction-to-top characterization parameter	19.7	38.2	5.3	
$\psi_{JB}$	Junction-to-board characterization parameter	54.8	104.9	62.8	
$\theta_{JCbott}$	Junction-to-case (bottom) thermal resistance	n/a	n/a	n/a	

(1) For more information about traditional and new thermal metrics, see the *IC Package Thermal Metrics* application report, [SPRA953](#).

(2) The junction-to-ambient thermal resistance under natural convection is obtained in a simulation on a JEDEC-standard, high-K board, as specified in JESD51-7, in an environment described in JESD51-2a.

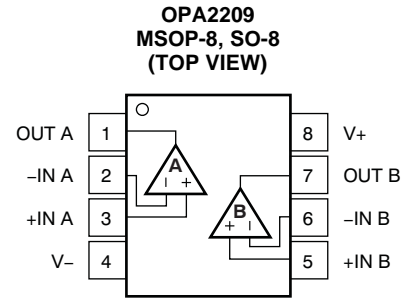
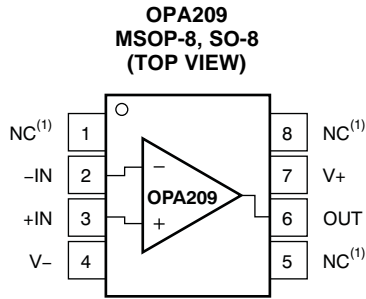
## THERMAL INFORMATION

THERMAL METRIC <sup>(1)</sup>		OPA2209AID	OPA2209AIDGK	OPA4209AIPW	UNITS
		D	DGK	PW	
		8	8	14	
$\theta_{JA}$	Junction-to-ambient thermal resistance <sup>(2)</sup>	134.3	132.7	112.9	$^\circ C/W$
$\theta_{JCTop}$	Junction-to-case (top) thermal resistance	72.1	38.5	26.1	
$\theta_{JB}$	Junction-to-board thermal resistance	60.7	52.1	61.0	
$\psi_{JT}$	Junction-to-top characterization parameter	18.2	2.4	0.7	
$\psi_{JB}$	Junction-to-board characterization parameter	53.8	52.8	59.2	
$\theta_{JCbott}$	Junction-to-case (bottom) thermal resistance	n/a	n/a	n/a	

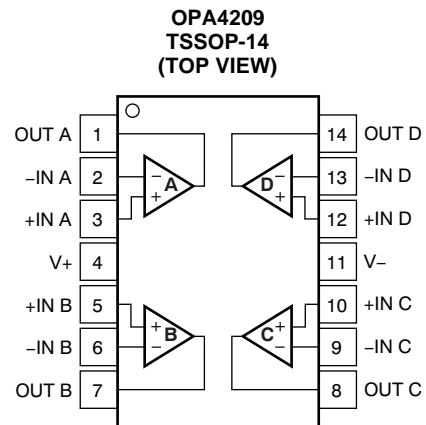
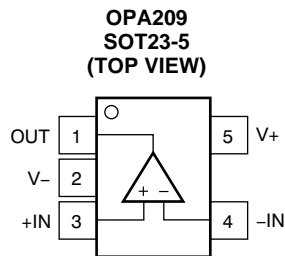
(1) For more information about traditional and new thermal metrics, see the *IC Package Thermal Metrics* application report, [SPRA953](#).

(2) The junction-to-ambient thermal resistance under natural convection is obtained in a simulation on a JEDEC-standard, high-K board, as specified in JESD51-7, in an environment described in JESD51-2a.

**PIN CONFIGURATIONS**



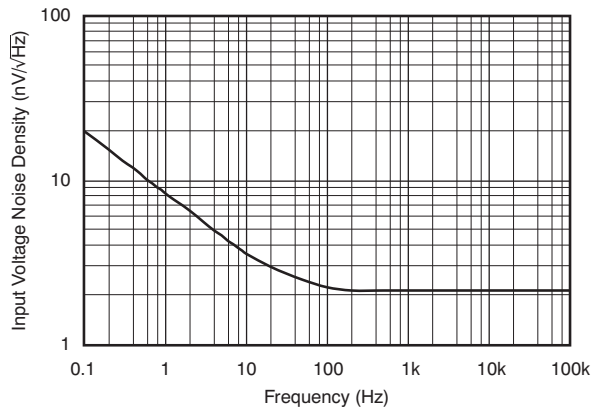
(1) NC = no internal connection



## TYPICAL CHARACTERISTICS

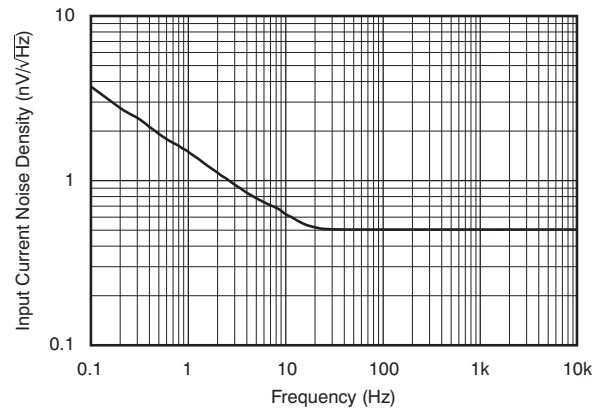
At  $T_A = +25^\circ\text{C}$ ,  $V_S = \pm 18\text{V}$ ,  $R_L = 10\text{k}\Omega$  connected to midsupply, and  $V_{CM} = V_{OUT} = \text{midsupply}$ , unless otherwise noted.

**INPUT VOLTAGE NOISE DENSITY vs FREQUENCY**



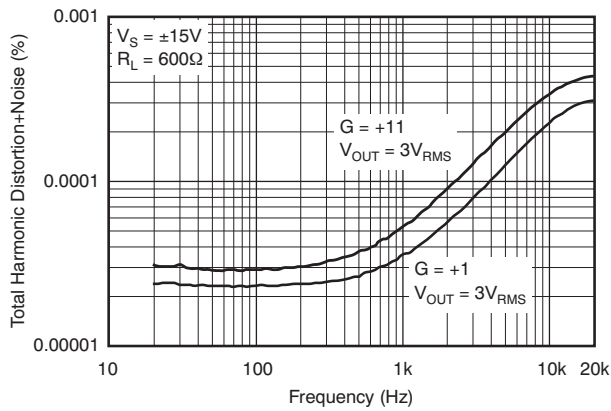
**Figure 1.**

**INPUT CURRENT NOISE DENSITY vs FREQUENCY**



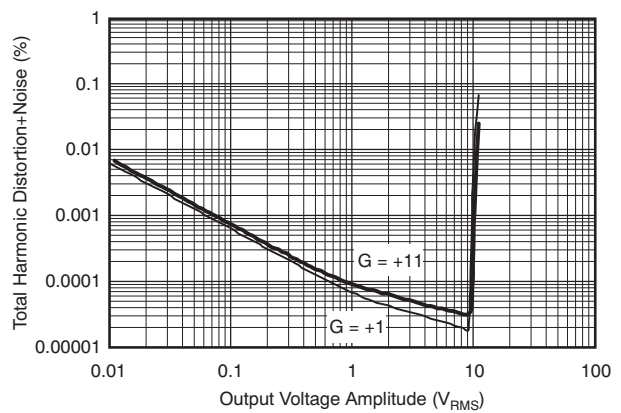
**Figure 2.**

**TOTAL HARMONIC DISTORTION + NOISE RATIO vs FREQUENCY**



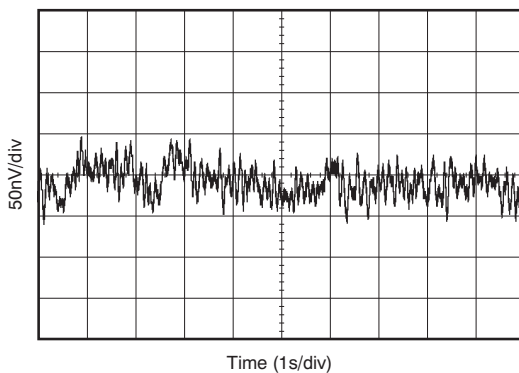
**Figure 3.**

**TOTAL HARMONIC DISTORTION + NOISE RATIO vs AMPLITUDE**



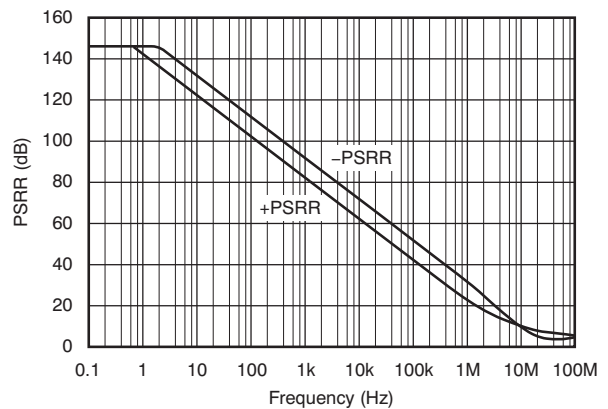
**Figure 4.**

**0.1Hz TO 10Hz NOISE**



**Figure 5.**

**POWER-SUPPLY REJECTION RATIO vs FREQUENCY (REFERRED TO INPUT)**



**Figure 6.**

**TYPICAL CHARACTERISTICS (continued)**

At  $T_A = +25^\circ\text{C}$ ,  $V_S = \pm 18\text{V}$ ,  $R_L = 10\text{k}\Omega$  connected to midsupply, and  $V_{CM} = V_{OUT} = \text{midsupply}$ , unless otherwise noted.

**COMMON-MODE REJECTION RATIO vs FREQUENCY**

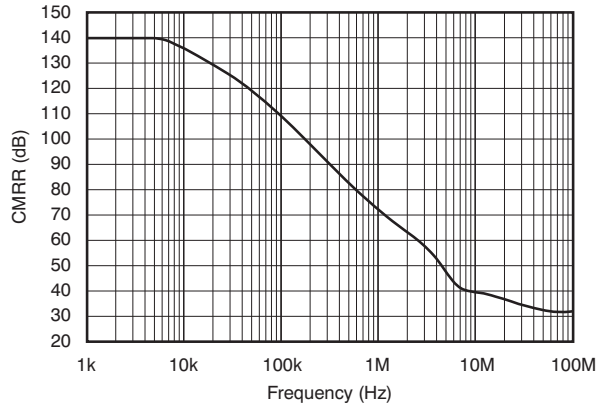


Figure 7.

**OPEN-LOOP OUTPUT IMPEDANCE vs FREQUENCY**

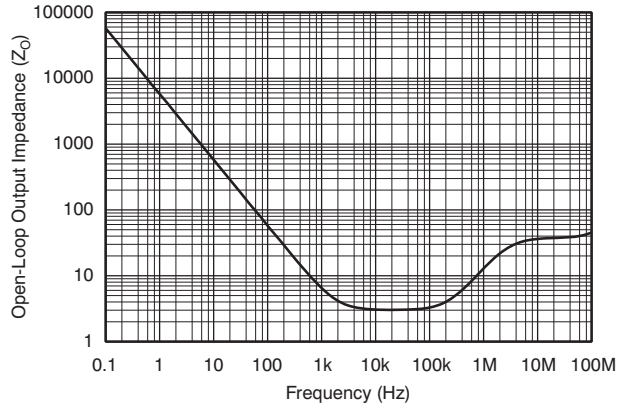


Figure 8.

**OPEN-LOOP GAIN AND PHASE vs FREQUENCY**

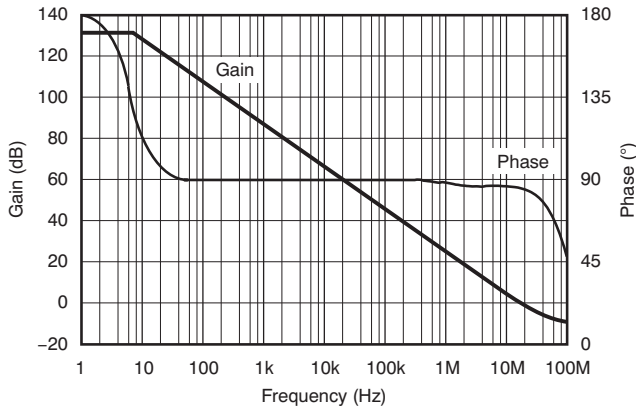


Figure 9.

**OPEN-LOOP GAIN vs TEMPERATURE**

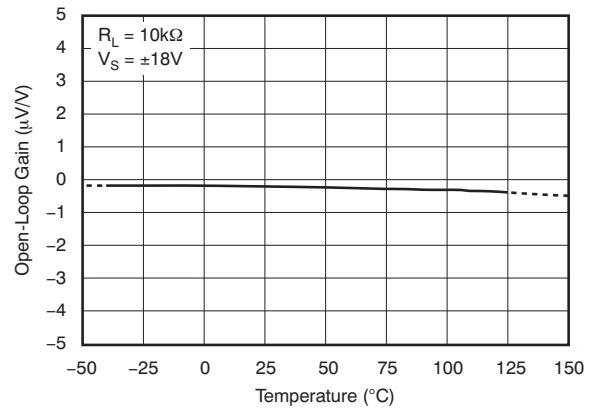


Figure 10.

**OFFSET VOLTAGE PRODUCTION DISTRIBUTION**

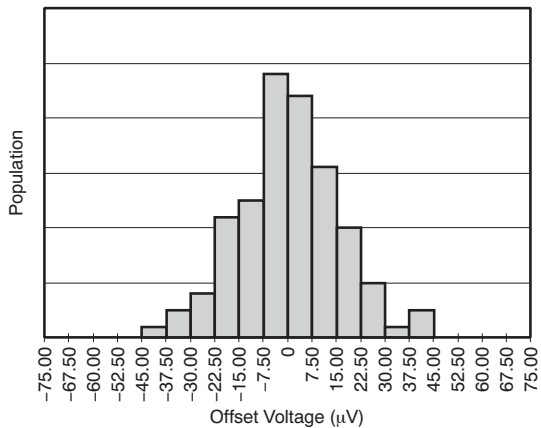


Figure 11.

**OFFSET VOLTAGE DRIFT PRODUCTION DISTRIBUTION**

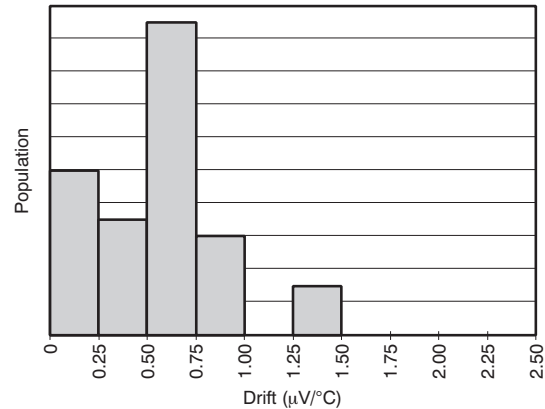


Figure 12.

**TYPICAL CHARACTERISTICS (continued)**

At  $T_A = +25^\circ\text{C}$ ,  $V_S = \pm 18\text{V}$ ,  $R_L = 10\text{k}\Omega$  connected to midsupply, and  $V_{CM} = V_{OUT} = \text{midsupply}$ , unless otherwise noted.

**INPUT BIAS AND INPUT OFFSET CURRENTS vs TEMPERATURE**

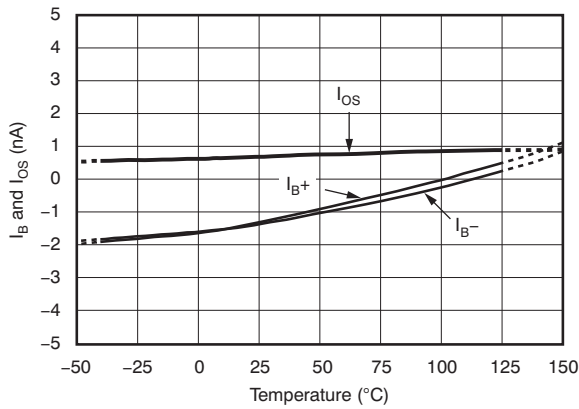


Figure 13.

**INPUT OFFSET VOLTAGE vs COMMON-MODE VOLTAGE**

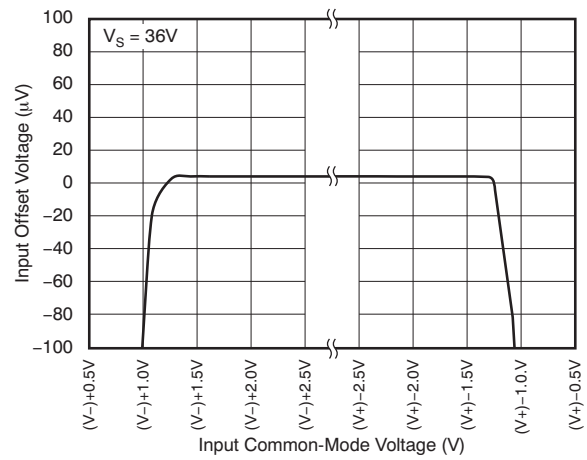


Figure 14.

**INPUT OFFSET VOLTAGE vs TIME**

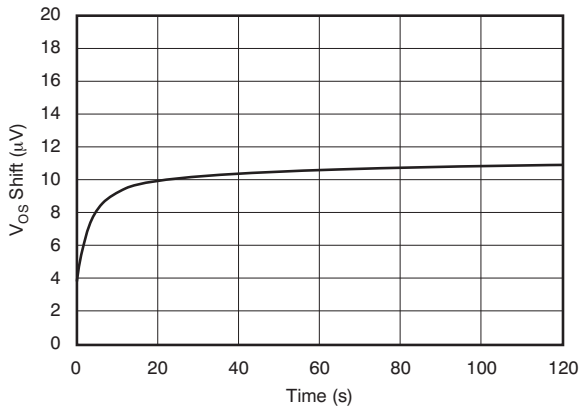


Figure 15.

**INPUT OFFSET CURRENT vs SUPPLY VOLTAGE**

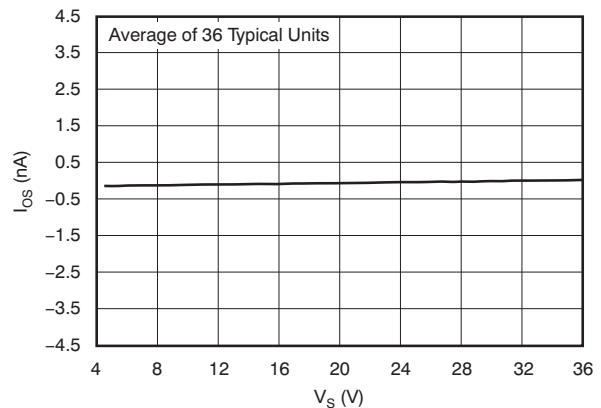


Figure 16.

**INPUT BIAS AND INPUT OFFSET CURRENTS vs COMMON-MODE VOLTAGE**

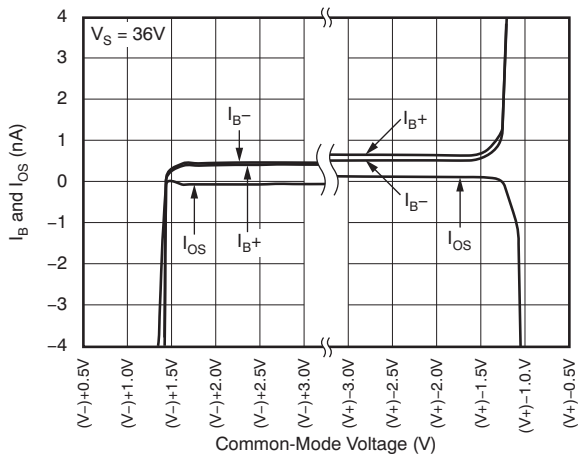


Figure 17.

**INPUT BIAS CURRENT vs SUPPLY VOLTAGE**

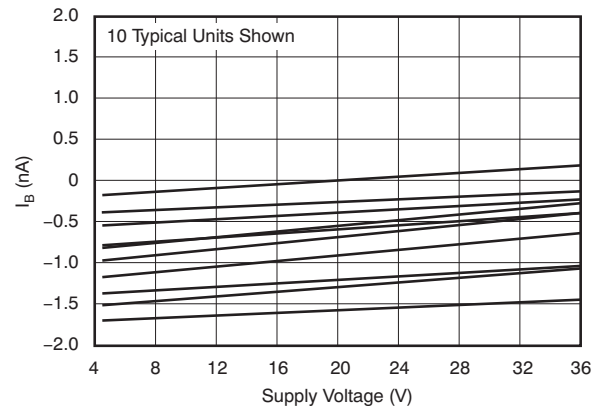


Figure 18.



**TYPICAL CHARACTERISTICS (continued)**

At  $T_A = +25^\circ\text{C}$ ,  $V_S = \pm 18\text{V}$ ,  $R_L = 10\text{k}\Omega$  connected to midsupply, and  $V_{CM} = V_{OUT} = \text{midsupply}$ , unless otherwise noted.

**QUIESCENT CURRENT vs TEMPERATURE**

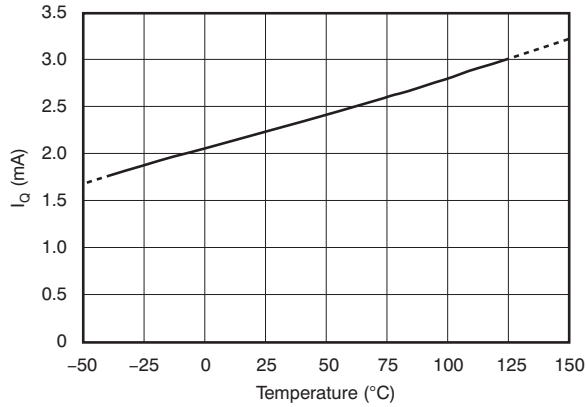


Figure 19.

**QUIESCENT CURRENT vs SUPPLY VOLTAGE**

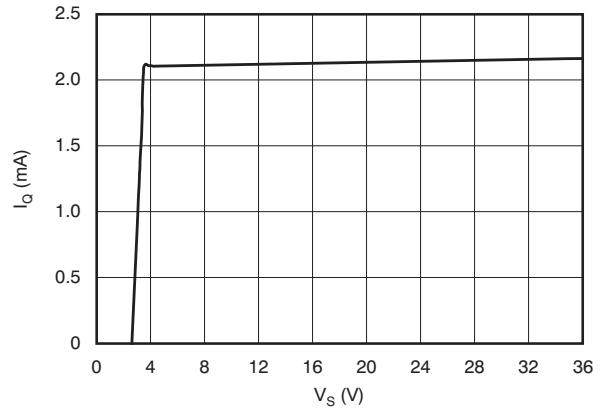


Figure 20.

**SHORT-CIRCUIT CURRENT vs TEMPERATURE**

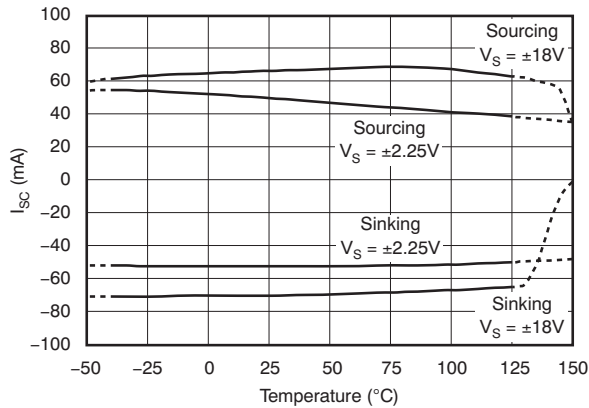


Figure 21.

**OUTPUT VOLTAGE vs OUTPUT CURRENT**

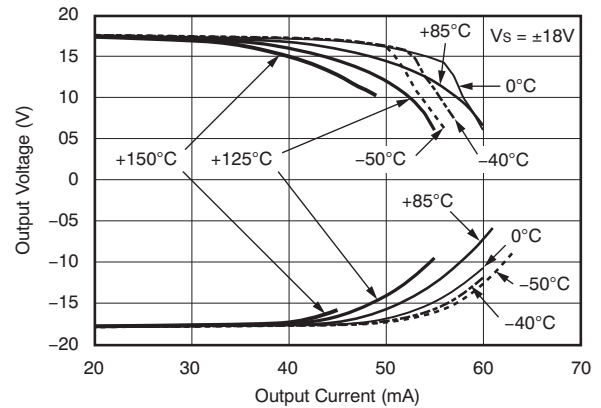


Figure 22.

**SMALL-SIGNAL STEP RESPONSE**

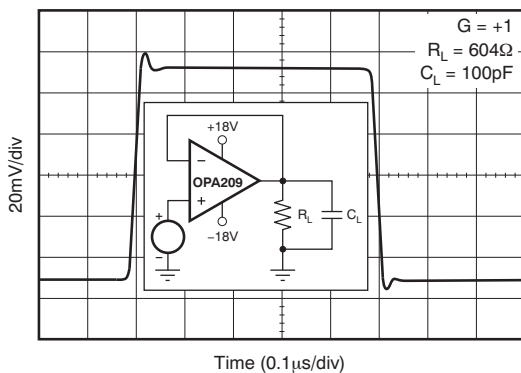


Figure 23.

**SMALL-SIGNAL STEP RESPONSE**

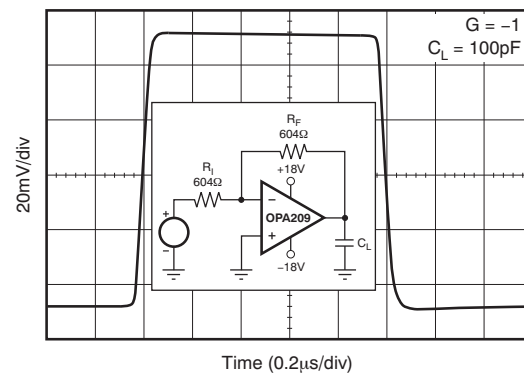


Figure 24.

**TYPICAL CHARACTERISTICS (continued)**

At  $T_A = +25^\circ\text{C}$ ,  $V_S = \pm 18\text{V}$ ,  $R_L = 10\text{k}\Omega$  connected to midsupply, and  $V_{CM} = V_{OUT} = \text{midsupply}$ , unless otherwise noted.

**LARGE-SIGNAL STEP RESPONSE**

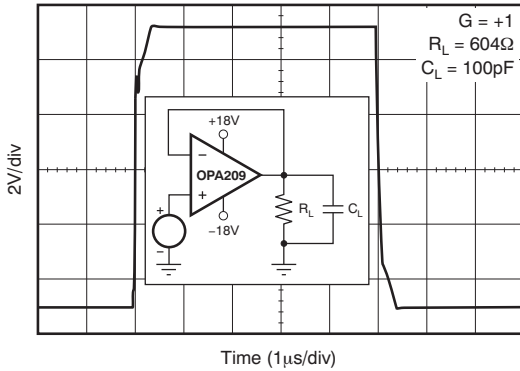


Figure 25.

**LARGE-SIGNAL STEP RESPONSE**

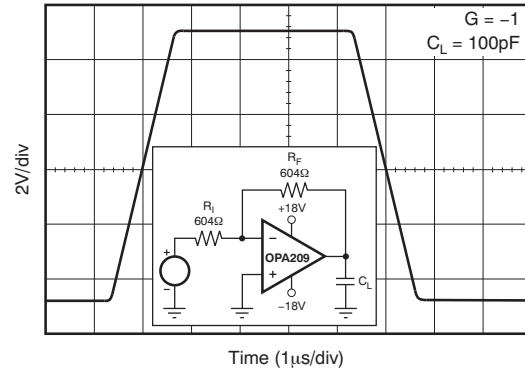


Figure 26.

**NO PHASE REVERSAL**

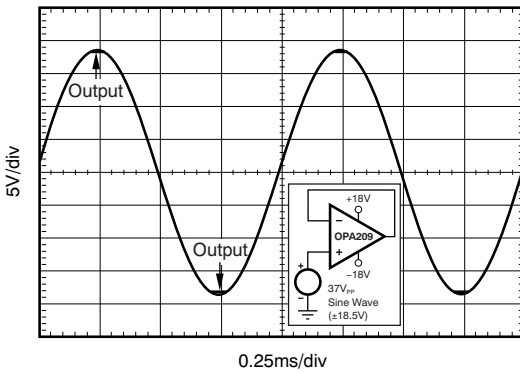


Figure 27.

**NEGATIVE OVERLOAD RECOVERY**

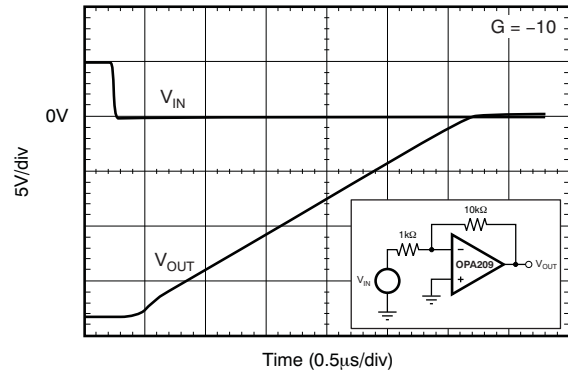


Figure 28.

**POSITIVE OVERVOLTAGE RECOVERY**

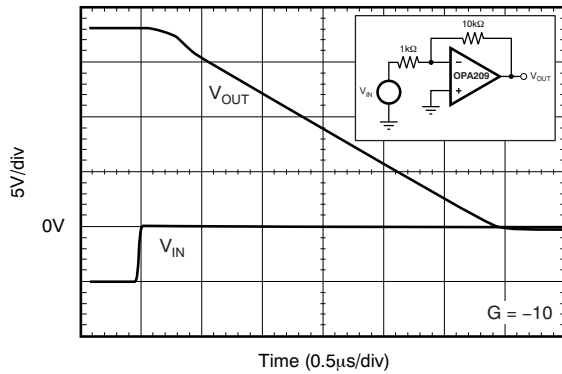


Figure 29.

**SMALL-SIGNAL OVERSHOOT vs CAPACITIVE LOAD**

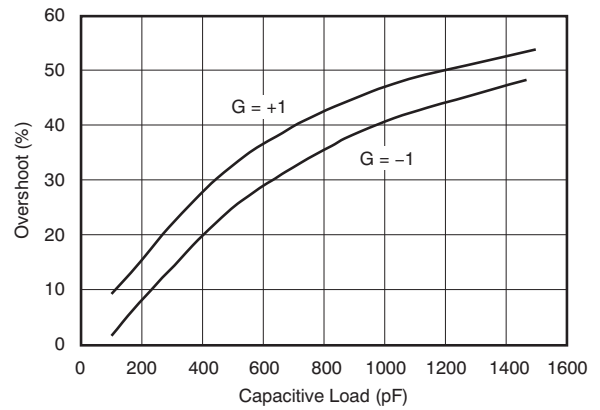


Figure 30.

## APPLICATION INFORMATION

### DESCRIPTION

The OPA209 series of precision operational amplifiers are unity-gain stable, and free from unexpected output and phase reversal. Applications with noisy or high-impedance power supplies require decoupling capacitors placed close to the device pins. In most cases, 0.1 $\mu$ F capacitors are adequate. [Figure 31](#) shows a simplified schematic of the OPA209. This die uses a SiGe bipolar process and contains 180 transistors.

### OPERATING VOLTAGE

The OPA209 series of op amps can be used with single or dual supplies within an operating range of  $V_S = +4.5V (\pm 2.25V)$  up to  $+36V (\pm 18V)$ . Supply voltages higher than 40V total can permanently damage the device; see the [Absolute Maximum Ratings](#) table.

In addition, key parameters are assured over the specified temperature range,  $T_A = -40^\circ C$  to  $+125^\circ C$ . Parameters that vary significantly with operating voltage or temperature are shown in the [Typical Characteristics](#) section of this data sheet.

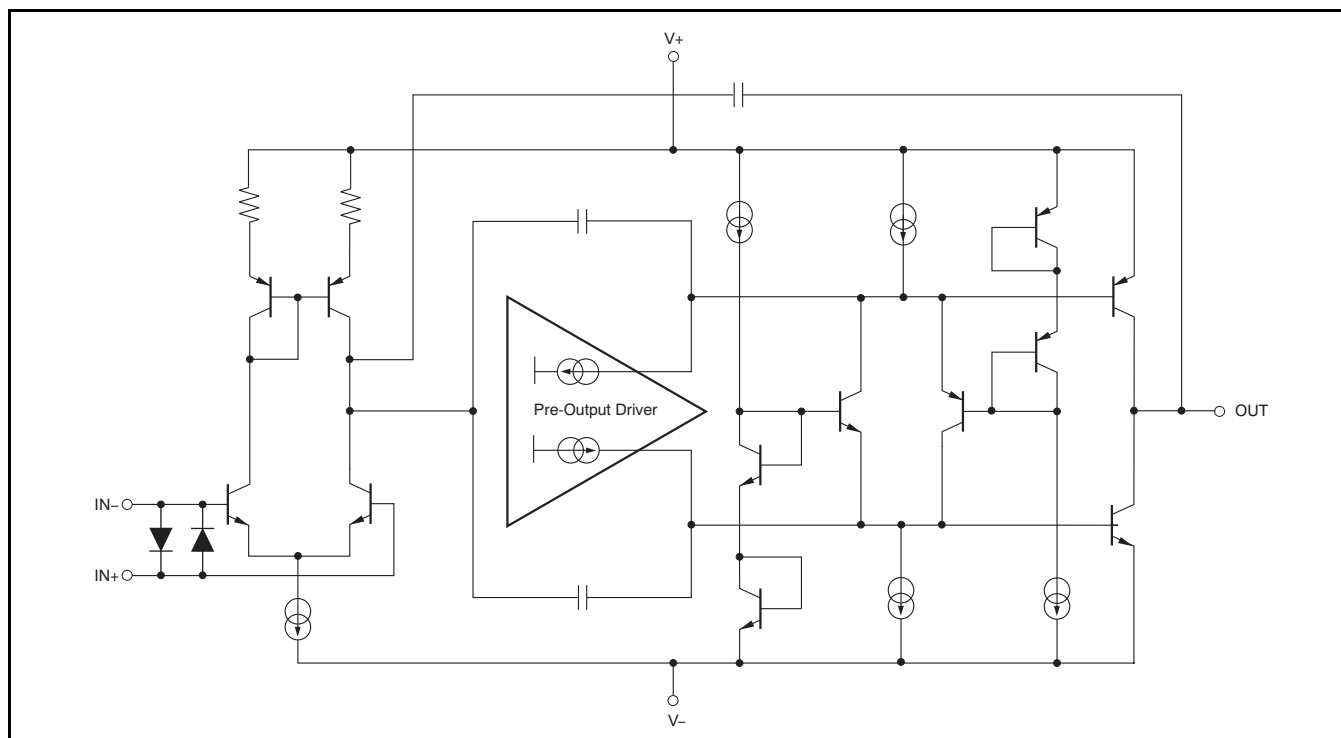


Figure 31. OPA209 Simplified Schematic

## INPUT PROTECTION

The input terminals of the OPA209 are protected from excessive differential voltage with back-to-back diodes, as shown in Figure 32. In most circuit applications, the input protection circuitry has no consequence. However, in low-gain or  $G = 1$  circuits, fast ramping input signals can forward-bias these diodes because the output of the amplifier cannot respond rapidly enough to the input ramp. This effect is illustrated in Figure 25 and Figure 26 of the Typical Characteristics. If the input signal is fast enough to create this forward-bias condition, the input signal current must be limited to 10mA or less. If the input signal current is not inherently limited, an input series resistor can be used to limit the signal input current. This input series resistor degrades the low-noise performance of the OPA209. See the [Noise Performance](#) section for further information on noise performance. Figure 32 shows an example configuration that implements a current-limiting feedback resistor.

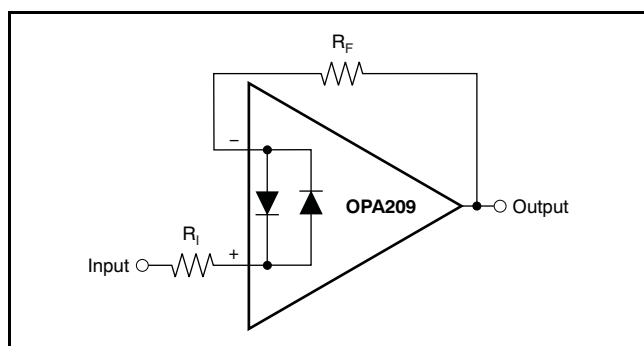


Figure 32. Pulsed Operation

## NOISE PERFORMANCE

Figure 33 shows the total circuit noise for varying source impedances with the op amp in a unity-gain configuration (no feedback resistor network, and therefore no additional noise contributions). Two different op amps are shown with the total circuit noise calculated. The OPA209 has very low voltage noise, making it ideal for low source impedances (less than 2k $\Omega$ ). As a comparable precision FET-input op amp (very low current noise), the OPA827 has somewhat higher voltage noise, but lower current noise. It provides excellent noise performance at moderate to high source impedance (10k $\Omega$  and up). For source impedance lower than 300 $\Omega$ , the OPA211 may provide lower noise.

The equation in Figure 33 shows the calculation of the total circuit noise, with these parameters:

- $e_n$  = voltage noise,
- $i_n$  = current noise,
- $R_S$  = source impedance,
- $k$  = Boltzmann's constant =  $1.38 \times 10^{-23}$  J/K,
- and  $T$  = temperature in kelvins.

For more details on calculating noise, see the [Basic Noise Calculations](#) section.

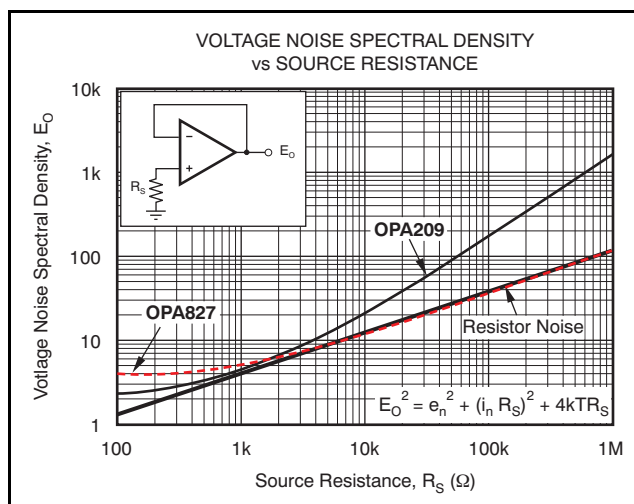


Figure 33. Noise Performance of the OPA209 and OPA827 in Unity-Gain Buffer Configuration

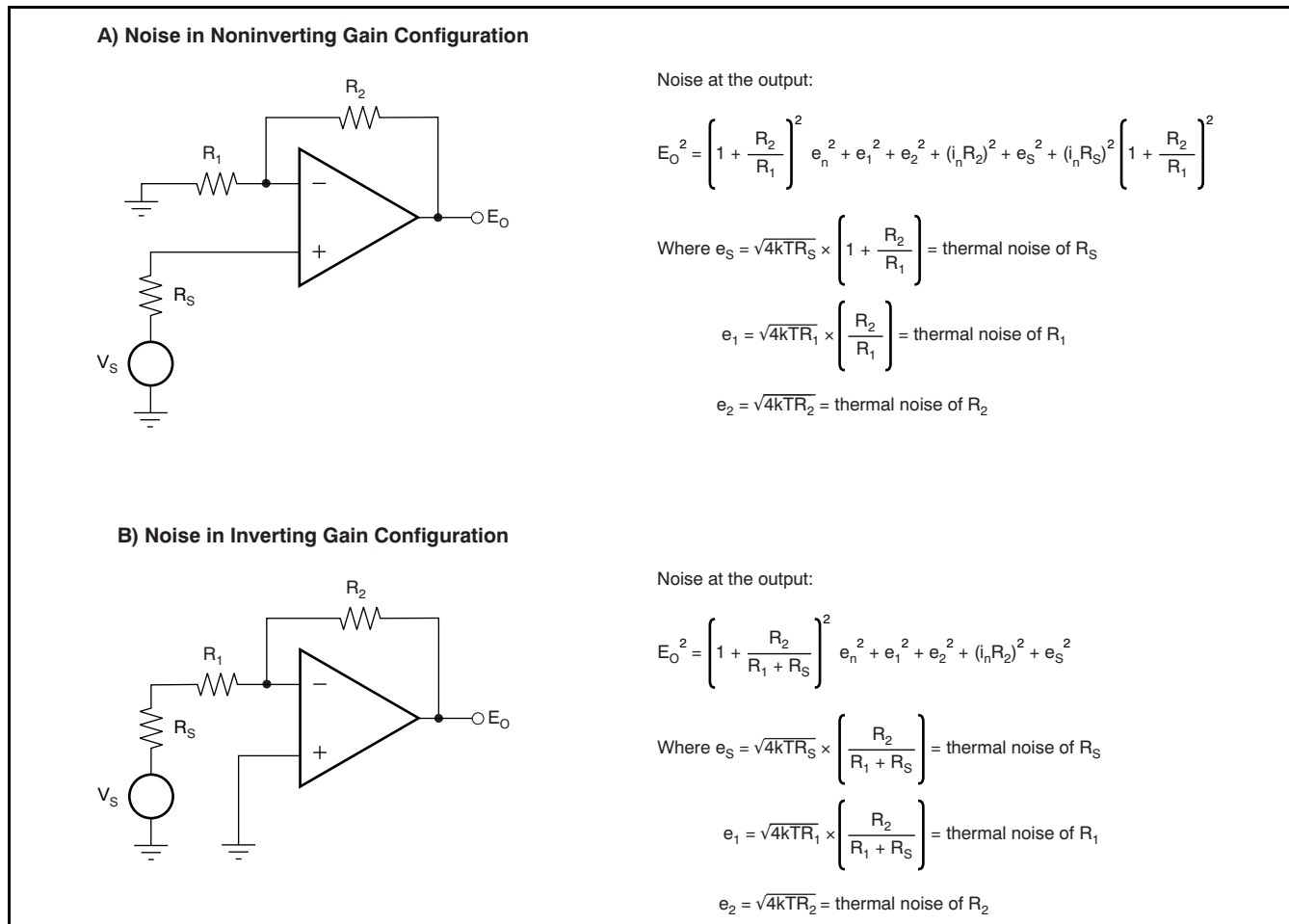
## BASIC NOISE CALCULATIONS

Low-noise circuit design requires careful analysis of all noise sources. External noise sources can dominate in many cases; consider the effect of source resistance on overall op amp noise performance. Total noise of the circuit is the root-sum-square combinations of all noise components.

The resistive portion of the source impedance produces thermal noise proportional to the square root of the resistance. This function is illustrated in Figure 33. The source impedance is usually fixed; consequently, select the appropriate op amp and the feedback resistors to minimize the respective contributions to the total noise.

Figure 34 illustrates both noninverting (Figure 34a) and inverting (Figure 34b) op amp circuit configurations with gain. In circuit configurations with gain, the feedback network resistors also contribute noise. The current noise of the op amp reacts with the feedback resistors to create additional noise components.

The feedback resistor values can generally be chosen to make these noise sources negligible. Note that low-impedance feedback resistors load the output of the amplifier. The equations for total noise are shown for both configurations.



NOTE: For the OPA209 series op amps at 1kHz,  $e_n = 2.2nV/\sqrt{Hz}$  and  $i_n = 530fA/\sqrt{Hz}$ .

Figure 34. Noise Calculation in Gain Configurations

## ELECTRICAL OVERSTRESS

Designers often ask questions about the capability of an operational amplifier to withstand electrical overstress. These questions tend to focus on the device inputs, but may involve the supply voltage pins or even the output pin. Each of these different pin functions have electrical stress limits determined by the voltage breakdown characteristics of the particular semiconductor fabrication process and specific circuits connected to the pin. Additionally, internal electrostatic discharge (ESD) protection is built into these circuits to protect them from accidental ESD events both before and during product assembly.

It is helpful to have a good understanding of this basic ESD circuitry and its relevance to an electrical overstress event. See [Figure 35](#) for an illustration of the ESD circuits contained in the OPA209 series (indicated by the dashed line area). The ESD protection circuitry involves several current-steering diodes connected from the input and output pins and routed back to the internal power-supply lines, where they meet at an absorption device internal to the operational amplifier. This protection circuitry is intended to remain inactive during normal circuit operation.

An ESD event produces a short duration, high-voltage pulse that is transformed into a short duration, high-current pulse as it discharges through a semiconductor device. The ESD protection circuits are designed to provide a current path around the operational amplifier core to prevent it from being damaged. The energy absorbed by the protection circuitry is then dissipated as heat.

When an ESD voltage develops across two or more of the amplifier device pins, current flows through one or more of the steering diodes. Depending on the path that the current takes, the absorption device may activate. The absorption device has a trigger, or threshold voltage, that is above the normal operating voltage of the OPA209 but below the device breakdown voltage level. Once this threshold is exceeded, the absorption device quickly activates and clamps the voltage across the supply rails to a safe level.

When the operational amplifier connects into a circuit such as the one [Figure 35](#) shows, the ESD protection components are intended to remain inactive and not become involved in the application circuit operation. However, circumstances may arise where an applied voltage exceeds the operating voltage range of a given pin. Should this condition occur, there is a risk that some of the internal ESD protection circuits may be biased on, and conduct current. Any such current flow occurs through steering diode paths and rarely involves the absorption device.

[Figure 35](#) depicts a specific example where the input voltage,  $V_{IN}$ , exceeds the positive supply voltage ( $+V_S$ ) by 500mV or more. Much of what happens in the circuit depends on the supply characteristics. If  $+V_S$  can sink the current, one of the upper input steering diodes conducts and directs current to  $+V_S$ . Excessively high current levels can flow with increasingly higher  $V_{IN}$ . As a result, the datasheet specifications recommend that applications limit the input current to 10mA.

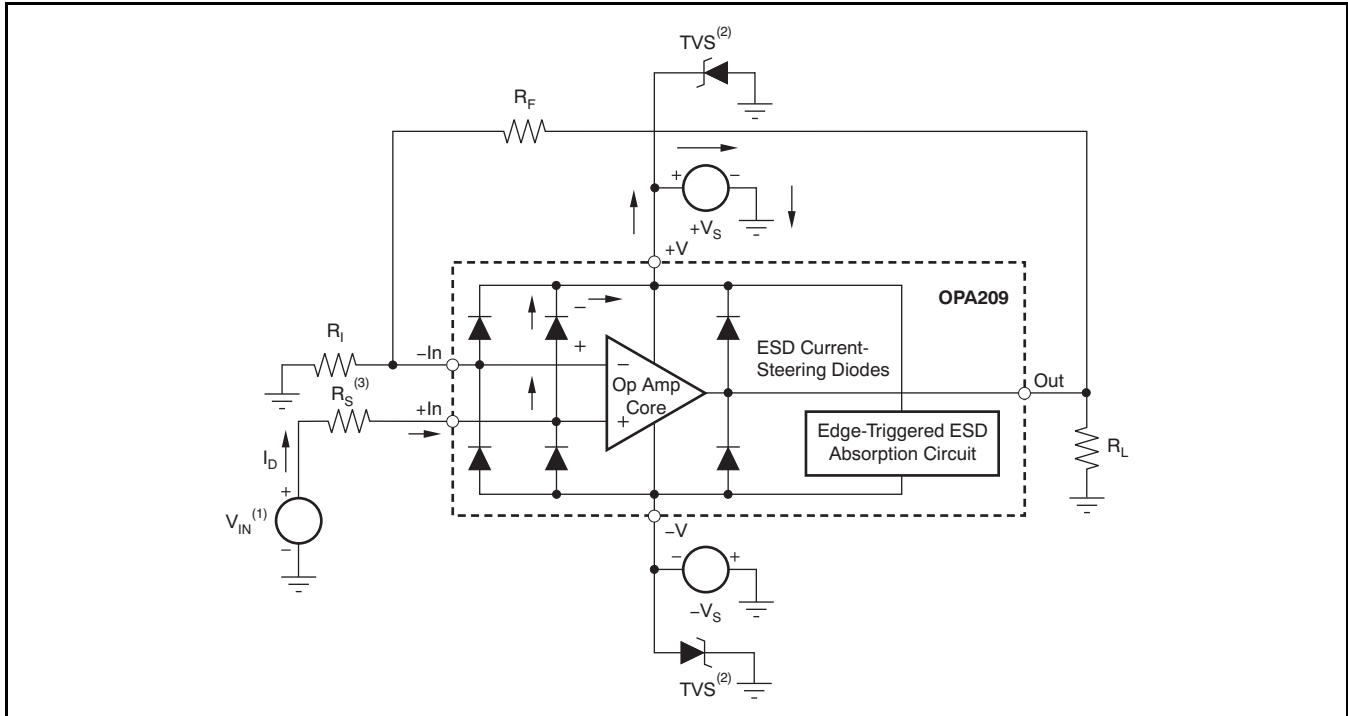
If the supply is not capable of sinking the current,  $V_{IN}$  may begin sourcing current to the operational amplifier, and then take over as the source of positive supply voltage. The danger in this case is that the voltage can rise to levels that exceed the operational amplifier absolute maximum ratings.

Another common question involves what happens to the amplifier if an input signal is applied to the input while the power supplies  $+V_S$  and/or  $-V_S$  are at 0V.

Again, it depends on the supply characteristic while at 0V, or at a level below the input signal amplitude. If the supplies appear as high impedance, then the operational amplifier supply current may be supplied by the input source via the current steering diodes. This state is not a normal bias condition; the amplifier most likely will not operate normally. If the supplies are low impedance, then the current through the steering diodes can become quite high. The current level depends on the ability of the input source to deliver current, and any resistance in the input path.

If there is an uncertainty about the ability of the supply to absorb this current, external zener diodes may be added to the supply pins as shown in [Figure 35](#). The zener voltage must be selected such that the diode does not turn on during normal operation.

However, its zener voltage should be low enough so that the zener diode conducts if the supply pin begins to rise above the safe operating supply voltage level.



- (1)  $V_{IN} = +V_S + 500\text{mV}$ .
- (2) TVS:  $+V_{S(max)} > V_{TVSBR (Min)} > +V_S$
- (3) Suggested value approximately  $1\text{k}\Omega$ .

**Figure 35. Equivalent Internal ESD Circuitry and Its Relation to a Typical Circuit Application**

**PACKAGING INFORMATION**

Orderable Device	Status <sup>(1)</sup>	Package Type	Package Drawing	Pins	Package Qty	Eco Plan <sup>(2)</sup>	Lead/Ball Finish	MSL Peak Temp <sup>(3)</sup>	Samples (Requires Login)
OPA209AID	PREVIEW	SOIC	D	8	75	TBD	Call TI	Call TI	Samples Not Available
OPA209AIDBVR	PREVIEW	SOT-23	DBV	5	3000	TBD	Call TI	Call TI	Samples Not Available
OPA209AIDBVT	PREVIEW	SOT-23	DBV	5	250	TBD	Call TI	Call TI	Samples Not Available
OPA209AIDGKR	PREVIEW	MSOP	DGK	8	2500	TBD	Call TI	Call TI	Samples Not Available
OPA209AIDGKT	PREVIEW	MSOP	DGK	8	250	TBD	Call TI	Call TI	Samples Not Available
OPA209AIDR	PREVIEW	SOIC	D	8	2500	TBD	Call TI	Call TI	Samples Not Available
OPA2209AID	ACTIVE	SOIC	D	8	75	Green (RoHS & no Sb/Br)	CU NIPDAU	Level-2-260C-1 YEAR	<a href="#">Purchase Samples</a>
OPA2209AIDGKR	PREVIEW	MSOP	DGK	8	2500	TBD	Call TI	Call TI	Samples Not Available
OPA2209AIDGKT	PREVIEW	MSOP	DGK	8	250	TBD	Call TI	Call TI	Samples Not Available
OPA2209AIDR	ACTIVE	SOIC	D	8	2500	Green (RoHS & no Sb/Br)	CU NIPDAU	Level-2-260C-1 YEAR	<a href="#">Request Free Samples</a>
OPA4209AIPW	PREVIEW	TSSOP	PW	14	90	TBD	Call TI	Call TI	Samples Not Available
OPA4209AIPWR	PREVIEW	TSSOP	PW	14	2000	TBD	Call TI	Call TI	Samples Not Available

<sup>(1)</sup> The marketing status values are defined as follows:

**ACTIVE:** Product device recommended for new designs.

**LIFEBUY:** TI has announced that the device will be discontinued, and a lifetime-buy period is in effect.

**NRND:** Not recommended for new designs. Device is in production to support existing customers, but TI does not recommend using this part in a new design.

**PREVIEW:** Device has been announced but is not in production. Samples may or may not be available.

**OBSELETE:** TI has discontinued the production of the device.

<sup>(2)</sup> Eco Plan - The planned eco-friendly classification: Pb-Free (RoHS), Pb-Free (RoHS Exempt), or Green (RoHS & no Sb/Br) - please check <http://www.ti.com/productcontent> for the latest availability information and additional product content details.

**TBD:** The Pb-Free/Green conversion plan has not been defined.

**Pb-Free (RoHS):** TI's terms "Lead-Free" or "Pb-Free" mean semiconductor products that are compatible with the current RoHS requirements for all 6 substances, including the requirement that lead not exceed 0.1% by weight in homogeneous materials. Where designed to be soldered at high temperatures, TI Pb-Free products are suitable for use in specified lead-free processes.

**Pb-Free (RoHS Exempt):** This component has a RoHS exemption for either 1) lead-based flip-chip solder bumps used between the die and package, or 2) lead-based die adhesive used between the die and leadframe. The component is otherwise considered Pb-Free (RoHS compatible) as defined above.

**Green (RoHS & no Sb/Br):** TI defines "Green" to mean Pb-Free (RoHS compatible), and free of Bromine (Br) and Antimony (Sb) based flame retardants (Br or Sb do not exceed 0.1% by weight in homogeneous material)

<sup>(3)</sup> MSL, Peak Temp. -- The Moisture Sensitivity Level rating according to the JEDEC industry standard classifications, and peak solder temperature.



**Important Information and Disclaimer:** The information provided on this page represents TI's knowledge and belief as of the date that it is provided. TI bases its knowledge and belief on information provided by third parties, and makes no representation or warranty as to the accuracy of such information. Efforts are underway to better integrate information from third parties. TI has taken and continues to take reasonable steps to provide representative and accurate information but may not have conducted destructive testing or chemical analysis on incoming materials and chemicals. TI and TI suppliers consider certain information to be proprietary, and thus CAS numbers and other limited information may not be available for release.

In no event shall TI's liability arising out of such information exceed the total purchase price of the TI part(s) at issue in this document sold by TI to Customer on an annual basis.

## TAPE AND REEL INFORMATION



### QUADRANT ASSIGNMENTS FOR PIN 1 ORIENTATION IN TAPE



\*All dimensions are nominal

Device	Package Type	Package Drawing	Pins	SPQ	Reel Diameter (mm)	Reel Width W1 (mm)	A0 (mm)	B0 (mm)	K0 (mm)	P1 (mm)	W (mm)	Pin1 Quadrant
OPA2209AIDR	SOIC	D	8	2500	330.0	12.4	6.4	5.2	2.1	8.0	12.0	Q1

**TAPE AND REEL BOX DIMENSIONS**

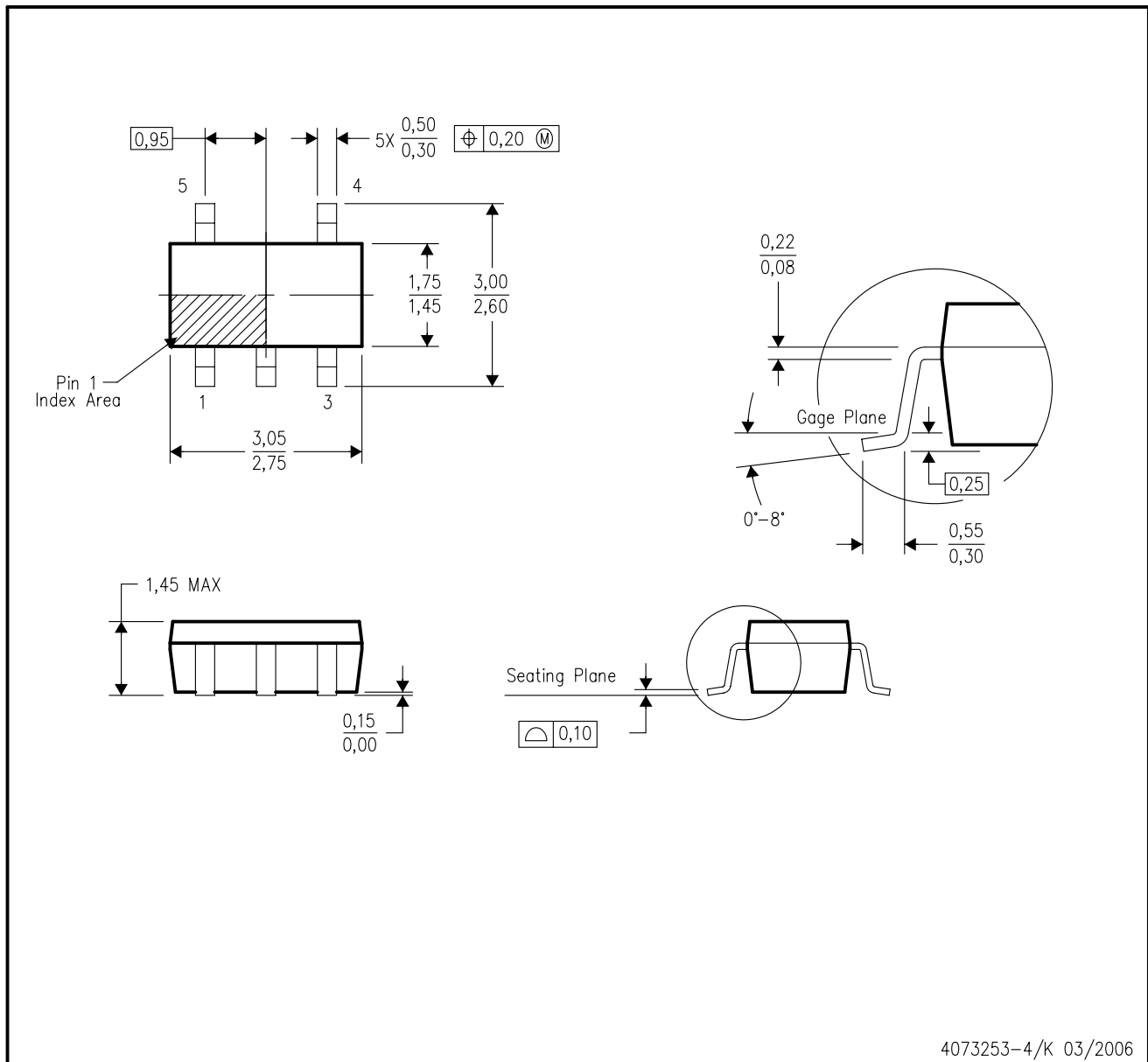


\*All dimensions are nominal

Device	Package Type	Package Drawing	Pins	SPQ	Length (mm)	Width (mm)	Height (mm)
OPA2209AIDR	SOIC	D	8	2500	346.0	346.0	29.0

DBV (R-PDSO-G5)

PLASTIC SMALL-OUTLINE PACKAGE

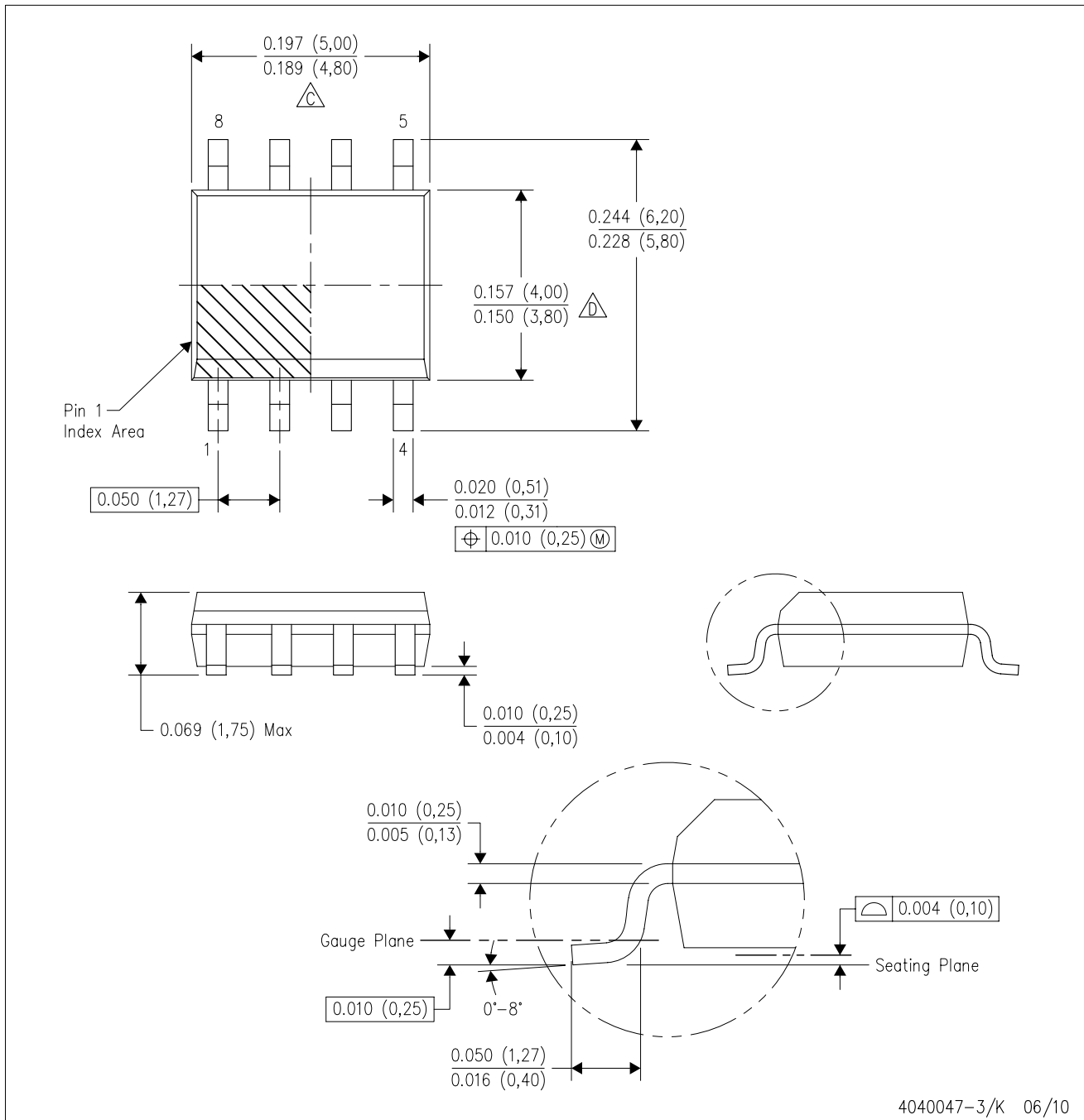


- NOTES:
- A. All linear dimensions are in millimeters.
  - B. This drawing is subject to change without notice.
  - C. Body dimensions do not include mold flash or protrusion. Mold flash and protrusion shall not exceed 0.15 per side.
  - D. Falls within JEDEC MO-178 Variation AA.



D (R-PDSO-G8)

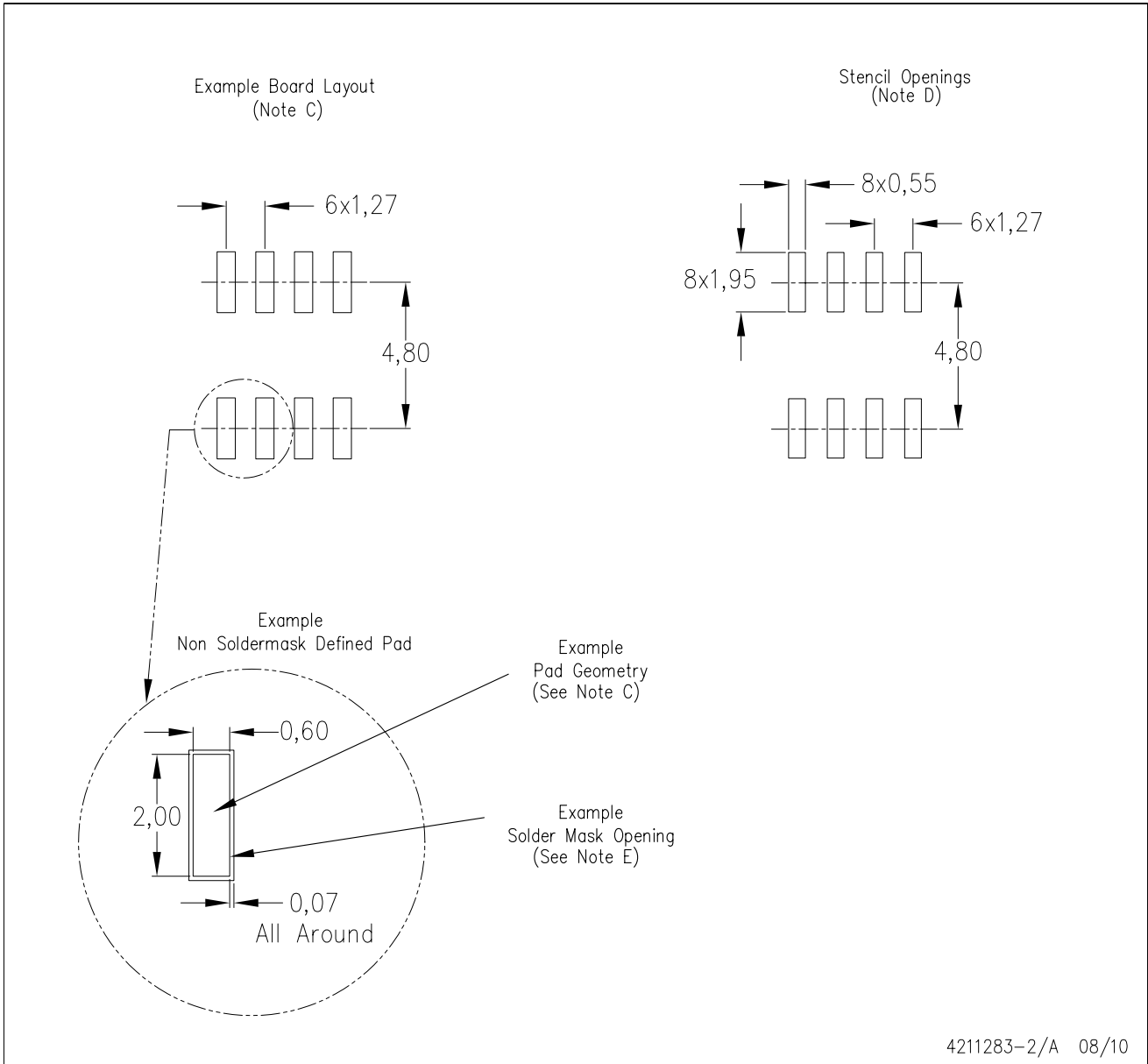
PLASTIC SMALL-OUTLINE PACKAGE



- NOTES:
- A. All linear dimensions are in inches (millimeters).
  - B. This drawing is subject to change without notice.
  - C. Body length does not include mold flash, protrusions, or gate burrs. Mold flash, protrusions, or gate burrs shall not exceed .006 (0,15) per end.
  - D. Body width does not include interlead flash. Interlead flash shall not exceed .017 (0,43) per side.
  - E. Reference JEDEC MS-012 variation AA.

D (R-PDSO-G8)

PLASTIC SMALL OUTLINE



- NOTES:
- A. All linear dimensions are in millimeters.
  - B. This drawing is subject to change without notice.
  - C. Publication IPC-7351 is recommended for alternate designs.
  - D. Laser cutting apertures with trapezoidal walls and also rounding corners will offer better paste release. Customers should contact their board assembly site for stencil design recommendations. Refer to IPC-7525 for other stencil recommendations.
  - E. Customers should contact their board fabrication site for solder mask tolerances between and around signal pads.

PW (R-PDSO-G\*\*)

PLASTIC SMALL-OUTLINE PACKAGE

14 PINS SHOWN



4040064/F 01/97

- NOTES: A. All linear dimensions are in millimeters.  
 B. This drawing is subject to change without notice.  
 C. Body dimensions do not include mold flash or protrusion not to exceed 0,15.  
 D. Falls within JEDEC MO-153



## IMPORTANT NOTICE

Texas Instruments Incorporated and its subsidiaries (TI) reserve the right to make corrections, modifications, enhancements, improvements, and other changes to its products and services at any time and to discontinue any product or service without notice. Customers should obtain the latest relevant information before placing orders and should verify that such information is current and complete. All products are sold subject to TI's terms and conditions of sale supplied at the time of order acknowledgment.

TI warrants performance of its hardware products to the specifications applicable at the time of sale in accordance with TI's standard warranty. Testing and other quality control techniques are used to the extent TI deems necessary to support this warranty. Except where mandated by government requirements, testing of all parameters of each product is not necessarily performed.

TI assumes no liability for applications assistance or customer product design. Customers are responsible for their products and applications using TI components. To minimize the risks associated with customer products and applications, customers should provide adequate design and operating safeguards.

TI does not warrant or represent that any license, either express or implied, is granted under any TI patent right, copyright, mask work right, or other TI intellectual property right relating to any combination, machine, or process in which TI products or services are used. Information published by TI regarding third-party products or services does not constitute a license from TI to use such products or services or a warranty or endorsement thereof. Use of such information may require a license from a third party under the patents or other intellectual property of the third party, or a license from TI under the patents or other intellectual property of TI.

Reproduction of TI information in TI data books or data sheets is permissible only if reproduction is without alteration and is accompanied by all associated warranties, conditions, limitations, and notices. Reproduction of this information with alteration is an unfair and deceptive business practice. TI is not responsible or liable for such altered documentation. Information of third parties may be subject to additional restrictions.

Resale of TI products or services with statements different from or beyond the parameters stated by TI for that product or service voids all express and any implied warranties for the associated TI product or service and is an unfair and deceptive business practice. TI is not responsible or liable for any such statements.

TI products are not authorized for use in safety-critical applications (such as life support) where a failure of the TI product would reasonably be expected to cause severe personal injury or death, unless officers of the parties have executed an agreement specifically governing such use. Buyers represent that they have all necessary expertise in the safety and regulatory ramifications of their applications, and acknowledge and agree that they are solely responsible for all legal, regulatory and safety-related requirements concerning their products and any use of TI products in such safety-critical applications, notwithstanding any applications-related information or support that may be provided by TI. Further, Buyers must fully indemnify TI and its representatives against any damages arising out of the use of TI products in such safety-critical applications.

TI products are neither designed nor intended for use in military/aerospace applications or environments unless the TI products are specifically designated by TI as military-grade or "enhanced plastic." Only products designated by TI as military-grade meet military specifications. Buyers acknowledge and agree that any such use of TI products which TI has not designated as military-grade is solely at the Buyer's risk, and that they are solely responsible for compliance with all legal and regulatory requirements in connection with such use.

TI products are neither designed nor intended for use in automotive applications or environments unless the specific TI products are designated by TI as compliant with ISO/TS 16949 requirements. Buyers acknowledge and agree that, if they use any non-designated products in automotive applications, TI will not be responsible for any failure to meet such requirements.

Following are URLs where you can obtain information on other Texas Instruments products and application solutions:

<b>Products</b>		<b>Applications</b>	
Amplifiers	<a href="http://amplifier.ti.com">amplifier.ti.com</a>	Audio	<a href="http://www.ti.com/audio">www.ti.com/audio</a>
Data Converters	<a href="http://dataconverter.ti.com">dataconverter.ti.com</a>	Automotive	<a href="http://www.ti.com/automotive">www.ti.com/automotive</a>
DLP® Products	<a href="http://www.dlp.com">www.dlp.com</a>	Communications and Telecom	<a href="http://www.ti.com/communications">www.ti.com/communications</a>
DSP	<a href="http://dsp.ti.com">dsp.ti.com</a>	Computers and Peripherals	<a href="http://www.ti.com/computers">www.ti.com/computers</a>
Clocks and Timers	<a href="http://www.ti.com/clocks">www.ti.com/clocks</a>	Consumer Electronics	<a href="http://www.ti.com/consumer-apps">www.ti.com/consumer-apps</a>
Interface	<a href="http://interface.ti.com">interface.ti.com</a>	Energy	<a href="http://www.ti.com/energy">www.ti.com/energy</a>
Logic	<a href="http://logic.ti.com">logic.ti.com</a>	Industrial	<a href="http://www.ti.com/industrial">www.ti.com/industrial</a>
Power Mgmt	<a href="http://power.ti.com">power.ti.com</a>	Medical	<a href="http://www.ti.com/medical">www.ti.com/medical</a>
Microcontrollers	<a href="http://microcontroller.ti.com">microcontroller.ti.com</a>	Security	<a href="http://www.ti.com/security">www.ti.com/security</a>
RFID	<a href="http://www.ti-rfid.com">www.ti-rfid.com</a>	Space, Avionics & Defense	<a href="http://www.ti.com/space-avionics-defense">www.ti.com/space-avionics-defense</a>
RF/IF and ZigBee® Solutions	<a href="http://www.ti.com/lprf">www.ti.com/lprf</a>	Video and Imaging	<a href="http://www.ti.com/video">www.ti.com/video</a>
		Wireless	<a href="http://www.ti.com/wireless-apps">www.ti.com/wireless-apps</a>