

NX3L2467

Dual low-ohmic double-pole double-throw analog switch

Rev. 3 — 29 December 2010

Product data sheet

1. General description

The NX3L2467 is a dual low-ohmic double-pole double-throw analog switch suitable for use as an analog or digital multiplexer/demultiplexer. It consists of four switches, each with two independent input/outputs ($nY0$ and $nY1$) and a common input/output (nZ). The two digital inputs (1S and 2S) are used to select the switch position. 1S is used in selecting the independent inputs/outputs switched to 1Z and 2Z, and 2S is used in selecting the independent inputs/outputs switched to 3Z and 4Z. Schmitt trigger action at the digital inputs makes the circuit tolerant to slower input rise and fall times. Low threshold digital inputs allows this device to be driven by 1.8 V logic levels in 3.3 V applications without significant increase in supply current I_{CC} . This makes it possible for the NX3L467 to switch 4.3 V signals with a 1.8 V digital controller, eliminating the need for logic level translation. The NX3L2467 allows signals with amplitude up to V_{CC} to be transmitted from nZ to $nY0$ or $nY1$; or from $nY0$ or $nY1$ to nZ . Its low ON resistance (0.5Ω) and flatness (0.13Ω) ensures minimal attenuation and distortion of transmitted signals.

2. Features and benefits

- Wide supply voltage range from 1.4 V to 4.3 V
- Very low ON resistance (peak):
 - ◆ 1.7Ω (typical) at $V_{CC} = 1.4$ V
 - ◆ 1.0Ω (typical) at $V_{CC} = 1.65$ V
 - ◆ 0.6Ω (typical) at $V_{CC} = 2.3$ V
 - ◆ 0.5Ω (typical) at $V_{CC} = 2.7$ V
 - ◆ 0.5Ω (typical) at $V_{CC} = 4.3$ V
- Break-before-make switching
- High noise immunity
- ESD protection:
 - ◆ HBM JESD22-A114F Class 3A exceeds 4000 V
 - ◆ MM JESD22-A115-A exceeds 200 V
 - ◆ CDM AEC-Q100-011 revision B exceeds 1000 V
 - ◆ IEC61000-4-2 contact discharge exceeds 6000 V for switch ports
- CMOS low-power consumption
- Latch-up performance exceeds 100 mA per JESD 78B Class II Level A
- 1.8 V control logic at $V_{CC} = 3.6$ V
- Control input accepts voltages above supply voltage
- Very low supply current, even when input is below V_{CC}
- High current handling capability (350 mA continuous current under 3.3 V supply)
- Specified from -40 °C to $+85$ °C and from -40 °C to $+125$ °C



3. Applications

- Cell phone
- PDA
- Portable media player

4. Ordering information

Table 1. Ordering information

| Type number | Package | | | |
|-------------|-------------------|----------|--|-----------|
| | Temperature range | Name | Description | Version |
| NX3L2467PW | -40 °C to +125 °C | TSSOP16 | plastic thin shrink small outline package; 16 leads; body width 4.4 mm | SOT403-1 |
| NX3L2467HR | -40 °C to +125 °C | HXQFN16U | plastic thermal enhanced extremely thin quad flat package; no leads; 16 terminals; UTLP based; body 3 × 3 × 0.5 mm | SOT1039-1 |
| NX3L2467GU | -40 °C to +125 °C | XQFN16 | plastic, extremely thin quad flat package; no leads; 16 terminals; body 1.80 × 2.60 × 0.50 mm | SOT1161-1 |

5. Marking

Table 2. Marking codes

| Type number | Marking code |
|-------------|--------------|
| NX3L2467PW | X3L2467 |
| NX3L2467HR | D67 |
| NX3L2467GU | D67 |

6. Functional diagram

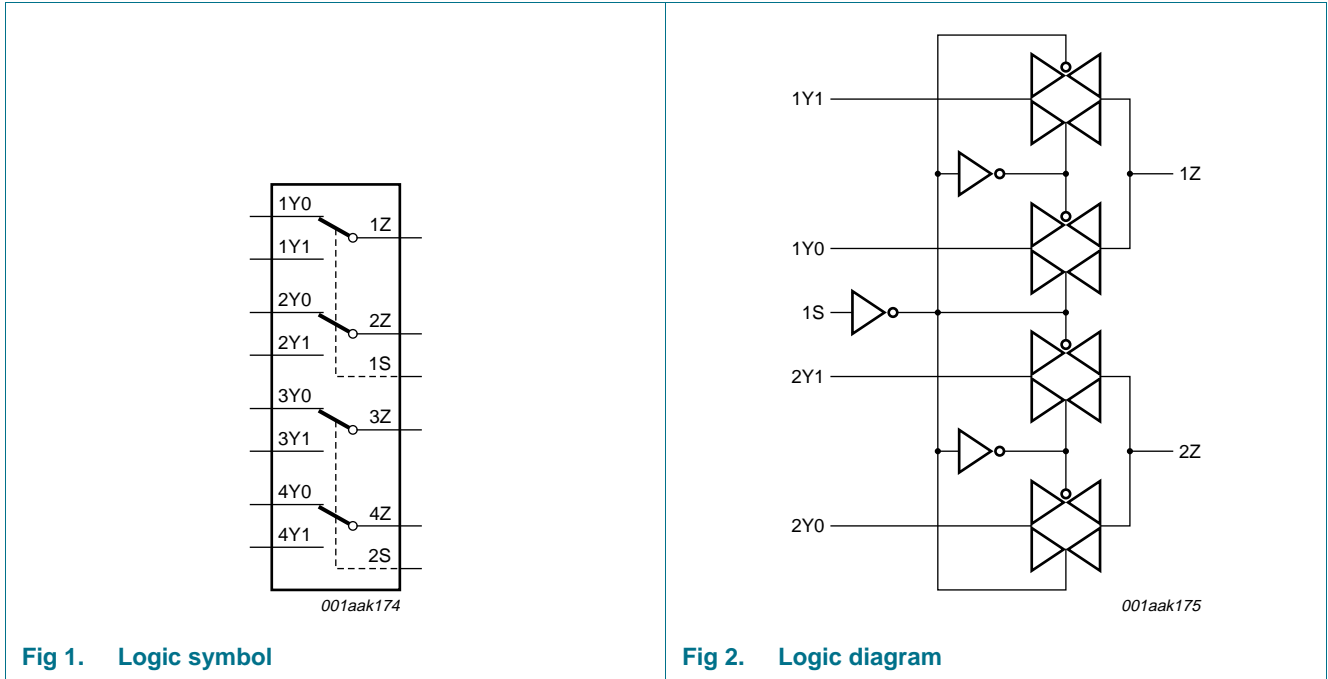


Fig 1. Logic symbol

Fig 2. Logic diagram

7. Pinning information

7.1 Pinning

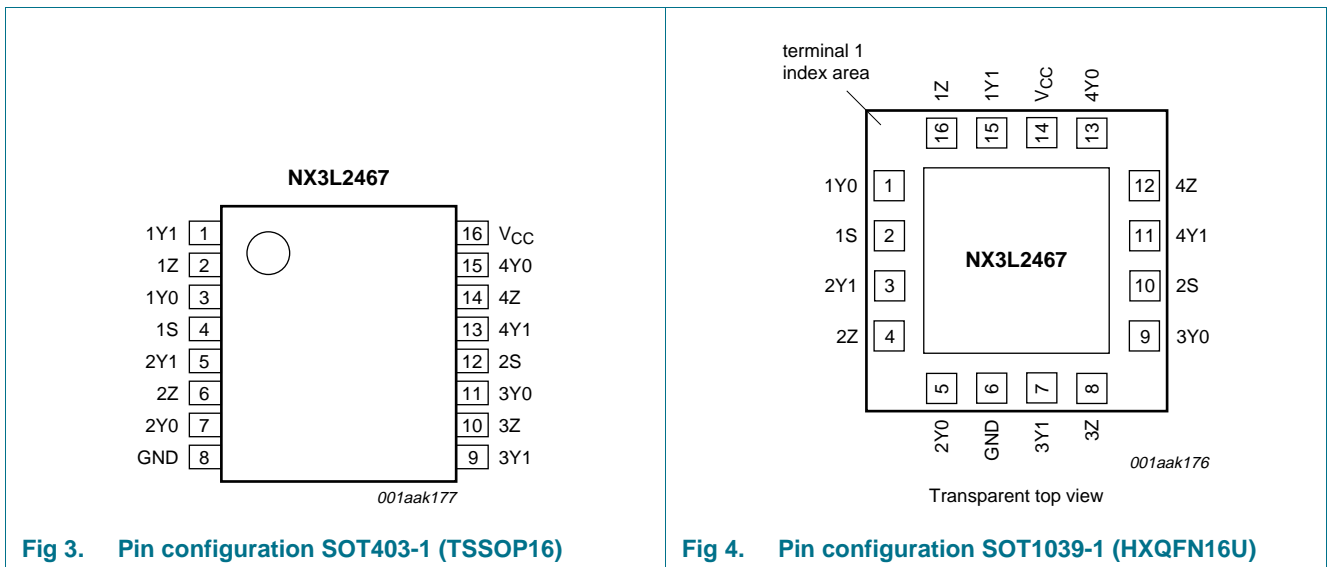


Fig 3. Pin configuration SOT403-1 (TSSOP16)

Fig 4. Pin configuration SOT1039-1 (HXQFN16U)

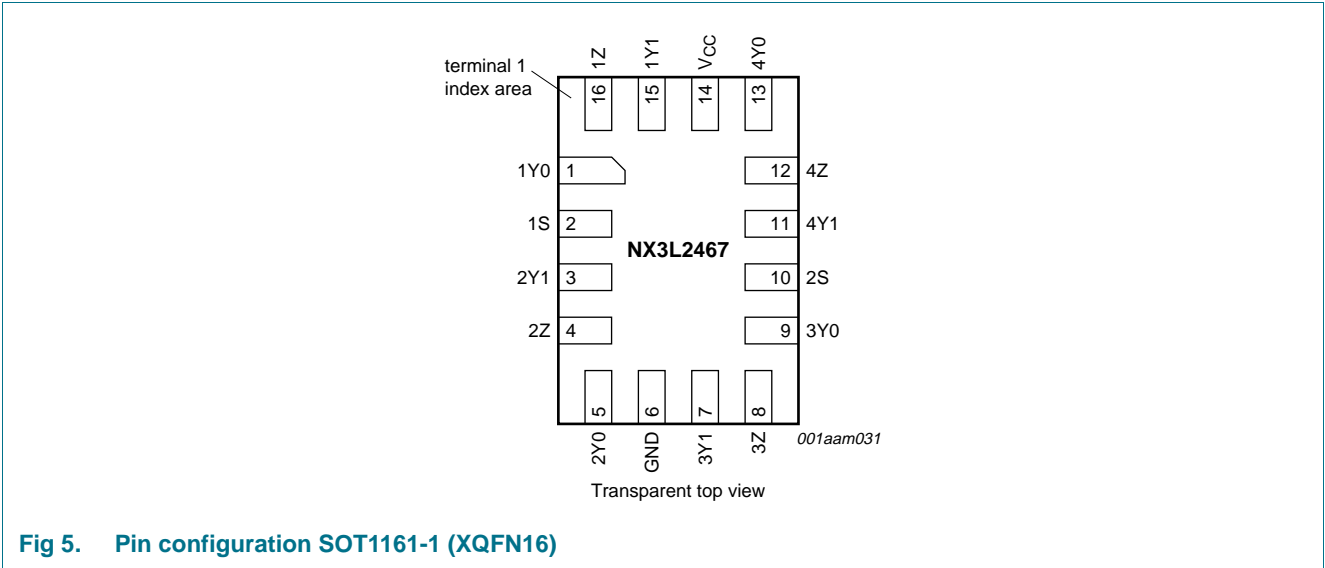


Fig 5. Pin configuration SOT1161-1 (XQFN16)

7.2 Pin description

Table 3. Pin description

| Symbol | Pin | | Description |
|--------------------|-------------------------|--------------|-----------------------------|
| | SOT1039-1 and SOT1161-1 | SOT403-1 | |
| 1Y0, 2Y0, 3Y0, 4Y0 | 1, 5, 9, 13 | 3, 7, 11, 15 | independent input or output |
| 1S, 2S | 2, 10 | 4, 12 | select input |
| 1Y1, 2Y1, 3Y1, 4Y1 | 15, 3, 7, 11 | 1, 5, 9, 13 | independent input or output |
| 1Z, 2Z, 3Z, 4Z | 16, 4, 8, 12 | 2, 6, 10, 14 | common output or input |
| GND | 6 | 8 | ground (0 V) |
| V _{CC} | 14 | 16 | supply voltage |

8. Functional description

Table 4. Function table^[1]

| Input nS | Channel on |
|----------|------------|
| L | nY0 |
| H | nY1 |

[1] H = HIGH voltage level; L = LOW voltage level.

9. Limiting values

Table 5. Limiting values

In accordance with the Absolute Maximum Rating System (IEC 60134). Voltages are referenced to GND (ground = 0 V).

| Symbol | Parameter | Conditions | Min | Max | Unit |
|-----------------|----------------|-----------------|----------|-----------------------|------|
| V _{CC} | supply voltage | | -0.5 | +4.6 | V |
| V _I | input voltage | select input nS | [1] -0.5 | +4.6 | V |
| V _{SW} | switch voltage | | [2] -0.5 | V _{CC} + 0.5 | V |

Table 5. Limiting values ...continued

In accordance with the Absolute Maximum Rating System (IEC 60134). Voltages are referenced to GND (ground = 0 V).

| Symbol | Parameter | Conditions | Min | Max | Unit | |
|-----------|-------------------------|---|-----|-----------|------|----|
| I_{IK} | input clamping current | $V_I < -0.5\text{ V}$ | -50 | - | mA | |
| I_{SK} | switch clamping current | $V_I < -0.5\text{ V}$ or $V_I > V_{CC} + 0.5\text{ V}$ | - | ± 50 | mA | |
| I_{SW} | switch current | $V_{SW} > -0.5\text{ V}$ or $V_{SW} < V_{CC} + 0.5\text{ V}$; source or sink current | - | ± 350 | mA | |
| | | $V_{SW} > -0.5\text{ V}$ or $V_{SW} < V_{CC} + 0.5\text{ V}$; pulsed at 1 ms duration, < 10 % duty cycle; peak current | - | ± 500 | mA | |
| T_{stg} | storage temperature | | -65 | +150 | °C | |
| P_{tot} | total power dissipation | $T_{amb} = -40\text{ °C}$ to $+125\text{ °C}$ | | | | |
| | | TSSOP16 | [3] | - | 500 | mW |
| | | HXQFN16U | [4] | - | 250 | mW |
| | | XQFN16 | [5] | - | 250 | mW |

- [1] The minimum input voltage rating may be exceeded if the input current rating is observed.
- [2] The minimum and maximum switch voltage ratings may be exceeded if the switch clamping current rating is observed but may not exceed 4.6 V.
- [3] For TSSOP16 package: above 60 °C the value of P_{tot} derates linearly with 5.5 mW/K above.
- [4] For HXQFN16U package: above 135 °C the value of P_{tot} derates linearly with 16.9 mW/K.
- [5] For XQFN16 package: above 133 °C the value of P_{tot} derates linearly with 14.5 mW/K.

10. Recommended operating conditions

Table 6. Recommended operating conditions

| Symbol | Parameter | Conditions | Min | Max | Unit |
|---------------------|-------------------------------------|---|-------|----------|------|
| V_{CC} | supply voltage | | 1.4 | 4.3 | V |
| V_I | input voltage | select input nS | 0 | 4.3 | V |
| V_{SW} | switch voltage | | [1] 0 | V_{CC} | V |
| T_{amb} | ambient temperature | | -40 | +125 | °C |
| $\Delta t/\Delta V$ | input transition rise and fall rate | $V_{CC} = 1.4\text{ V}$ to 4.3 V | [2] - | 200 | ns/V |

- [1] To avoid sinking GND current from terminal nZ when switch current flows in terminal nYn, the voltage drop across the bidirectional switch must not exceed 0.4 V. If the switch current flows into terminal nZ, no GND current will flow from terminal nYn. In this case, there is no limit for the voltage drop across the switch.
- [2] Applies to control signal levels.

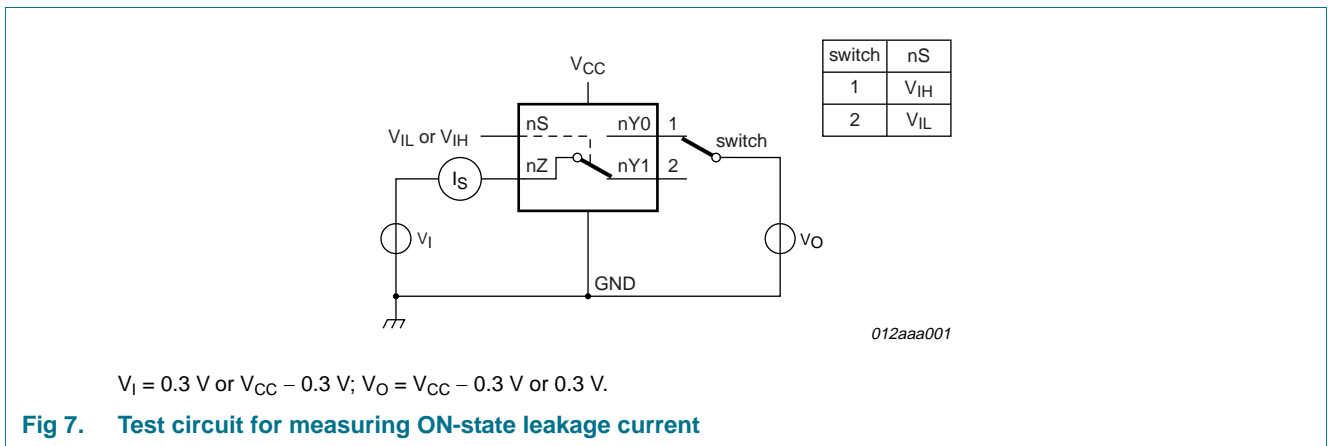
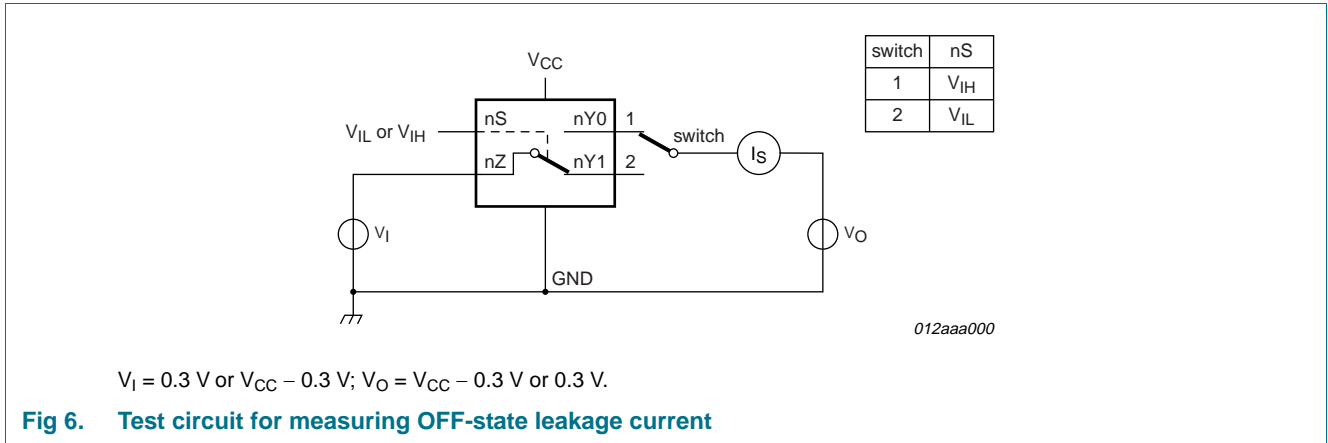
11. Static characteristics

Table 7. Static characteristics

At recommended operating conditions; voltages are referenced to GND (ground 0 V).

| Symbol | Parameter | Conditions | T _{amb} = 25 °C | | | T _{amb} = -40 °C to +125 °C | | | Unit |
|---------------------|---------------------------|--|--------------------------|------|------|--------------------------------------|-------------|--------------|------|
| | | | Min | Typ | Max | Min | Max (85 °C) | Max (125 °C) | |
| V _{IH} | HIGH-level input voltage | V _{CC} = 1.4 V to 1.6 V | 0.9 | - | - | 0.9 | - | - | V |
| | | V _{CC} = 1.65 V to 1.95 V | 0.9 | - | - | 0.9 | - | - | V |
| | | V _{CC} = 2.3 V to 2.7 V | 1.1 | - | - | 1.1 | - | - | V |
| | | V _{CC} = 2.7 V to 3.6 V | 1.3 | - | - | 1.3 | - | - | V |
| | | V _{CC} = 3.6 V to 4.3 V | 1.4 | - | - | 1.4 | - | - | V |
| V _{IL} | LOW-level input voltage | V _{CC} = 1.4 V to 1.6 V | - | - | 0.3 | - | 0.3 | 0.3 | V |
| | | V _{CC} = 1.65 V to 1.95 V | - | - | 0.4 | - | 0.4 | 0.3 | V |
| | | V _{CC} = 2.3 V to 2.7 V | - | - | 0.4 | - | 0.4 | 0.4 | V |
| | | V _{CC} = 2.7 V to 3.6 V | - | - | 0.5 | - | 0.5 | 0.5 | V |
| | | V _{CC} = 3.6 V to 4.3 V | - | - | 0.6 | - | 0.6 | 0.6 | V |
| I _I | input leakage current | select input nS; V _I = GND to 4.3 V; V _{CC} = 1.4 V to 4.3 V | - | - | - | - | ±0.5 | ±1 | μA |
| I _{S(OFF)} | OFF-state leakage current | nY0 and nY1 port; see Figure 6 | | | | | | | |
| | | V _{CC} = 1.4 V to 3.6 V | - | - | ±5 | - | ±50 | ±500 | nA |
| | | V _{CC} = 3.6 V to 4.3 V | - | - | ±10 | - | ±50 | ±500 | nA |
| I _{S(ON)} | ON-state leakage current | nZ port; V _{CC} = 1.4 V to 3.6 V; see Figure 7 | | | | | | | |
| | | V _{CC} = 1.4 V to 3.6 V | - | - | ±5 | - | ±50 | ±500 | nA |
| | | V _{CC} = 3.6 V to 4.3 V | - | - | ±10 | - | ±50 | ±500 | nA |
| I _{CC} | supply current | V _I = V _{CC} or GND; V _{SW} = GND or V _{CC} | | | | | | | |
| | | V _{CC} = 3.6 V | - | - | 100 | - | 500 | 5000 | nA |
| | | V _{CC} = 4.3 V | - | - | 150 | - | 800 | 6000 | nA |
| ΔI _{CC} | additional supply current | V _{SW} = GND or V _{CC} | | | | | | | |
| | | V _I = 2.6 V; V _{CC} = 4.3 V | - | 2.0 | 4.0 | - | 7 | 7 | μA |
| | | V _I = 2.6 V; V _{CC} = 3.6 V | - | 0.35 | 0.7 | - | 1 | 1 | μA |
| | | V _I = 1.8 V; V _{CC} = 4.3 V | - | 7.0 | 10.0 | - | 15 | 15 | μA |
| | | V _I = 1.8 V; V _{CC} = 3.6 V | - | 2.5 | 4.0 | - | 5 | 5 | μA |
| C _I | input capacitance | V _I = 1.8 V; V _{CC} = 2.5 V | - | 50 | 200 | - | 300 | 500 | nA |
| | | | - | 1.0 | - | - | - | - | pF |
| C _{S(OFF)} | OFF-state capacitance | | - | 35 | - | - | - | - | pF |
| C _{S(ON)} | ON-state capacitance | | - | 130 | - | - | - | - | pF |

11.1 Test circuits



11.2 ON resistance

Table 8. ON resistance^[1]

At recommended operating conditions; voltages are referenced to GND (ground = 0 V); for graphs see [Figure 9](#) to [Figure 15](#).

| Symbol | Parameter | Conditions | T _{amb} = -40 °C to +85 °C | | T _{amb} = -40 °C to +125 °C | | Unit | |
|-----------------------|----------------------|---|-------------------------------------|--------------------|--------------------------------------|-----|------|-----|
| | | | Min | Typ ^[2] | Max | Min | | Max |
| R _{ON(peak)} | ON resistance (peak) | V _I = GND to V _{CC} ; I _{SW} = 100 mA; see Figure 8 | | | | | | |
| | | V _{CC} = 1.4 V | - | 1.7 | 3.7 | - | 4.1 | Ω |
| | | V _{CC} = 1.65 V | - | 1.0 | 1.6 | - | 1.7 | Ω |
| | | V _{CC} = 2.3 V | - | 0.6 | 0.8 | - | 0.9 | Ω |
| | | V _{CC} = 2.7 V | - | 0.5 | 0.75 | - | 0.9 | Ω |
| | | V _{CC} = 4.3 V | - | 0.5 | 0.75 | - | 0.9 | Ω |

Table 8. ON resistance^[1]

At recommended operating conditions; voltages are referenced to GND (ground = 0 V); for graphs see [Figure 9](#) to [Figure 15](#).

| Symbol | Parameter | Conditions | T _{amb} = -40 °C to +85 °C | | | T _{amb} = -40 °C to +125 °C | | Unit |
|-----------------------|---|--|-------------------------------------|--------------------|-----|--------------------------------------|------|------|
| | | | Min | Typ ^[2] | Max | Min | Max | |
| ΔR _{ON} | ON resistance mismatch between channels | V _I = GND to V _{CC} ; I _{SW} = 100 mA ^[3] | | | | | | |
| | | V _{CC} = 1.4 V; V _{SW} = 0.4 V | - | 0.18 | 0.3 | - | 0.3 | Ω |
| | | V _{CC} = 1.65 V; V _{SW} = 0.5 V | - | 0.18 | 0.2 | - | 0.3 | Ω |
| | | V _{CC} = 2.3 V; V _{SW} = 0.7 V | - | 0.07 | 0.1 | - | 0.13 | Ω |
| | | V _{CC} = 2.7 V; V _{SW} = 0.8 V | - | 0.07 | 0.1 | - | 0.13 | Ω |
| | | V _{CC} = 4.3 V; V _{SW} = 0.8 V | - | 0.07 | 0.1 | - | 0.13 | Ω |
| R _{ON(flat)} | ON resistance (flatness) | V _I = GND to V _{CC} ; I _{SW} = 100 mA ^[4] | | | | | | |
| | | V _{CC} = 1.4 V | - | 1.0 | 3.3 | - | 3.6 | Ω |
| | | V _{CC} = 1.65 V | - | 0.5 | 1.2 | - | 1.3 | Ω |
| | | V _{CC} = 2.3 V | - | 0.15 | 0.3 | - | 0.35 | Ω |
| | | V _{CC} = 2.7 V | - | 0.13 | 0.3 | - | 0.35 | Ω |
| | | V _{CC} = 4.3 V | - | 0.2 | 0.4 | - | 0.45 | Ω |

[1] For NX3L2467PW (TSSOP16 package), all ON resistance values are up to 0.05 Ω higher.

[2] Typical values are measured at T_{amb} = 25 °C.

[3] Measured at identical V_{CC}, temperature and input voltage.

[4] Flatness is defined as the difference between the maximum and minimum value of ON resistance measured at identical V_{CC} and temperature.

11.3 ON resistance test circuit and graphs

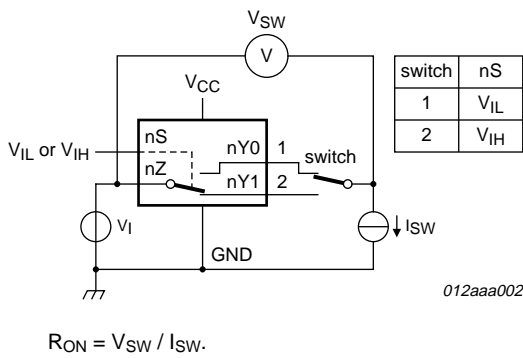
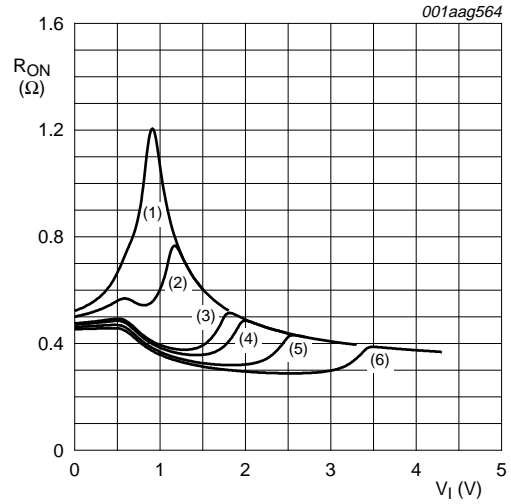
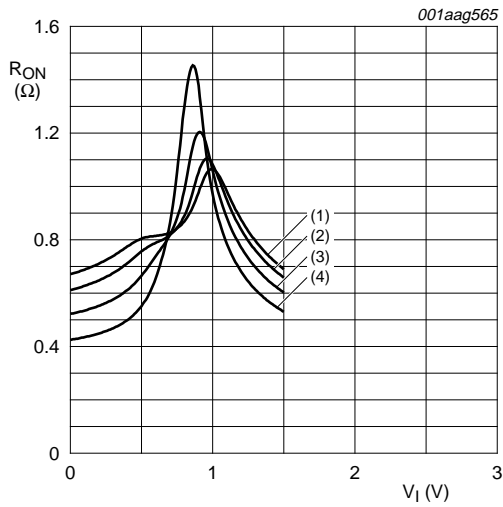


Fig 8. Test circuit for measuring ON resistance



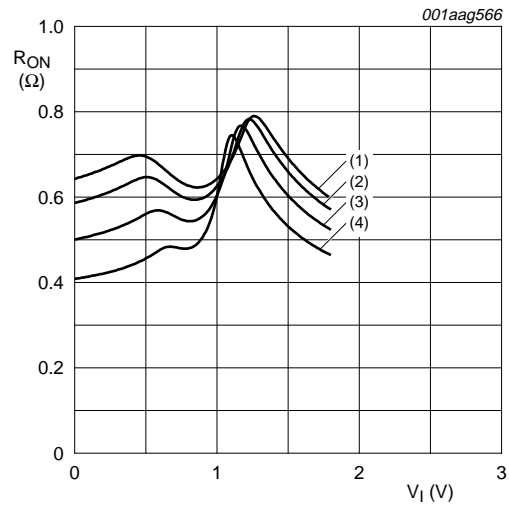
- (1) V_{CC} = 1.5 V.
 - (2) V_{CC} = 1.8 V.
 - (3) V_{CC} = 2.5 V.
 - (4) V_{CC} = 2.7 V.
 - (5) V_{CC} = 3.3 V.
 - (6) V_{CC} = 4.3 V.
- Measured at T_{amb} = 25 °C.

Fig 9. Typical ON resistance as a function of input voltage



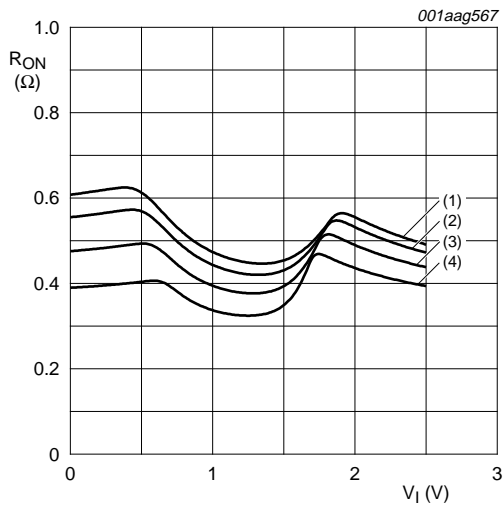
- (1) $T_{amb} = 125\text{ }^{\circ}\text{C}.$
- (2) $T_{amb} = 85\text{ }^{\circ}\text{C}.$
- (3) $T_{amb} = 25\text{ }^{\circ}\text{C}.$
- (4) $T_{amb} = -40\text{ }^{\circ}\text{C}.$

Fig 10. ON resistance as a function of input voltage;
 $V_{CC} = 1.5\text{ V}$



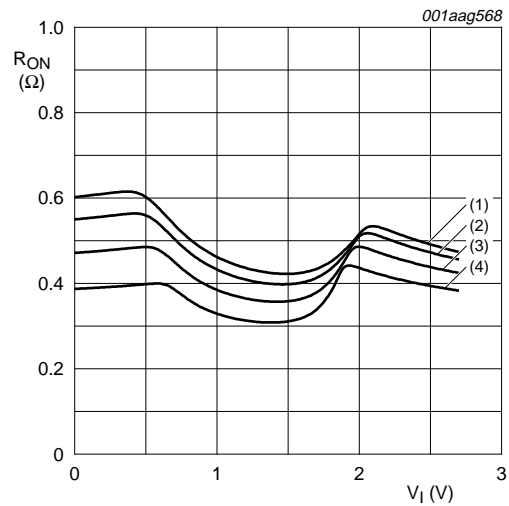
- (1) $T_{amb} = 125\text{ }^{\circ}\text{C}.$
- (2) $T_{amb} = 85\text{ }^{\circ}\text{C}.$
- (3) $T_{amb} = 25\text{ }^{\circ}\text{C}.$
- (4) $T_{amb} = -40\text{ }^{\circ}\text{C}.$

Fig 11. ON resistance as a function of input voltage;
 $V_{CC} = 1.8\text{ V}$



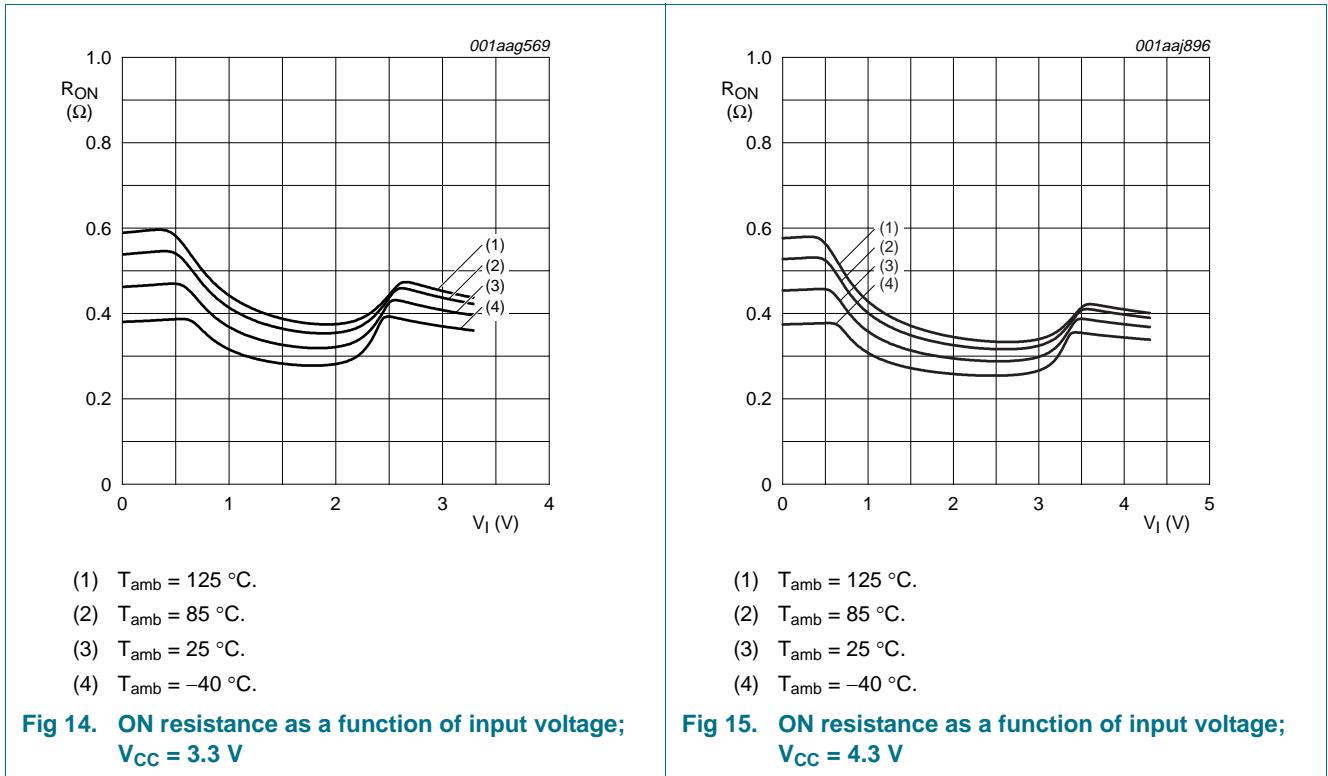
- (1) $T_{amb} = 125\text{ }^{\circ}\text{C}.$
- (2) $T_{amb} = 85\text{ }^{\circ}\text{C}.$
- (3) $T_{amb} = 25\text{ }^{\circ}\text{C}.$
- (4) $T_{amb} = -40\text{ }^{\circ}\text{C}.$

Fig 12. ON resistance as a function of input voltage;
 $V_{CC} = 2.5\text{ V}$



- (1) $T_{amb} = 125\text{ }^{\circ}\text{C}.$
- (2) $T_{amb} = 85\text{ }^{\circ}\text{C}.$
- (3) $T_{amb} = 25\text{ }^{\circ}\text{C}.$
- (4) $T_{amb} = -40\text{ }^{\circ}\text{C}.$

Fig 13. ON resistance as a function of input voltage;
 $V_{CC} = 2.7\text{ V}$



12. Dynamic characteristics

Table 9. Dynamic characteristics

At recommended operating conditions; voltages are referenced to GND (ground = 0 V); for load circuit see [Figure 18](#).

| Symbol | Parameter | Conditions | T _{amb} = 25 °C | | | T _{amb} = -40 °C to +125 °C | | | Unit |
|------------------|--------------|---|--------------------------|--------------------|-----|--------------------------------------|-------------|--------------|------|
| | | | Min | Typ ^[1] | Max | Min | Max (85 °C) | Max (125 °C) | |
| t _{en} | enable time | nS to nZ or nYn; see Figure 16 | | | | | | | |
| | | V _{CC} = 1.4 V to 1.6 V | - | 41 | 90 | - | 120 | 120 | ns |
| | | V _{CC} = 1.65 V to 1.95 V | - | 30 | 70 | - | 80 | 90 | ns |
| | | V _{CC} = 2.3 V to 2.7 V | - | 20 | 45 | - | 50 | 55 | ns |
| | | V _{CC} = 2.7 V to 3.6 V | - | 19 | 40 | - | 45 | 50 | ns |
| | | V _{CC} = 3.6 V to 4.3 V | - | 19 | 40 | - | 45 | 50 | ns |
| t _{dis} | disable time | nS to nZ or nYn; see Figure 16 | | | | | | | |
| | | V _{CC} = 1.4 V to 1.6 V | - | 24 | 70 | - | 80 | 90 | ns |
| | | V _{CC} = 1.65 V to 1.95 V | - | 15 | 55 | - | 60 | 65 | ns |
| | | V _{CC} = 2.3 V to 2.7 V | - | 9 | 25 | - | 30 | 35 | ns |
| | | V _{CC} = 2.7 V to 3.6 V | - | 8 | 20 | - | 25 | 30 | ns |
| | | V _{CC} = 3.6 V to 4.3 V | - | 8 | 20 | - | 25 | 30 | ns |

Table 9. Dynamic characteristics ...continued

At recommended operating conditions; voltages are referenced to GND (ground = 0 V); for load circuit see [Figure 18](#).

| Symbol | Parameter | Conditions | T _{amb} = 25 °C | | | T _{amb} = -40 °C to +125 °C | | | Unit |
|------------------|------------------------|--|--------------------------|--------------------|-----|--------------------------------------|-------------|--------------|------|
| | | | Min | Typ ^[1] | Max | Min | Max (85 °C) | Max (125 °C) | |
| t _{b-m} | break-before-make time | see Figure 17 ^[2] | | | | | | | |
| | | V _{CC} = 1.4 V to 1.6 V | - | 20 | - | 9 | - | - | ns |
| | | V _{CC} = 1.65 V to 1.95 V | - | 17 | - | 7 | - | - | ns |
| | | V _{CC} = 2.3 V to 2.7 V | - | 13 | - | 4 | - | - | ns |
| | | V _{CC} = 2.7 V to 3.6 V | - | 11 | - | 3 | - | - | ns |
| | | V _{CC} = 3.6 V to 4.3 V | - | 11 | - | 2 | - | - | ns |

[1] Typical values are measured at T_{amb} = 25 °C and V_{CC} = 1.5 V, 1.8 V, 2.5 V, 3.3 V and 4.3 V respectively.

[2] Break-before-make guaranteed by design.

12.1 Waveform and test circuits

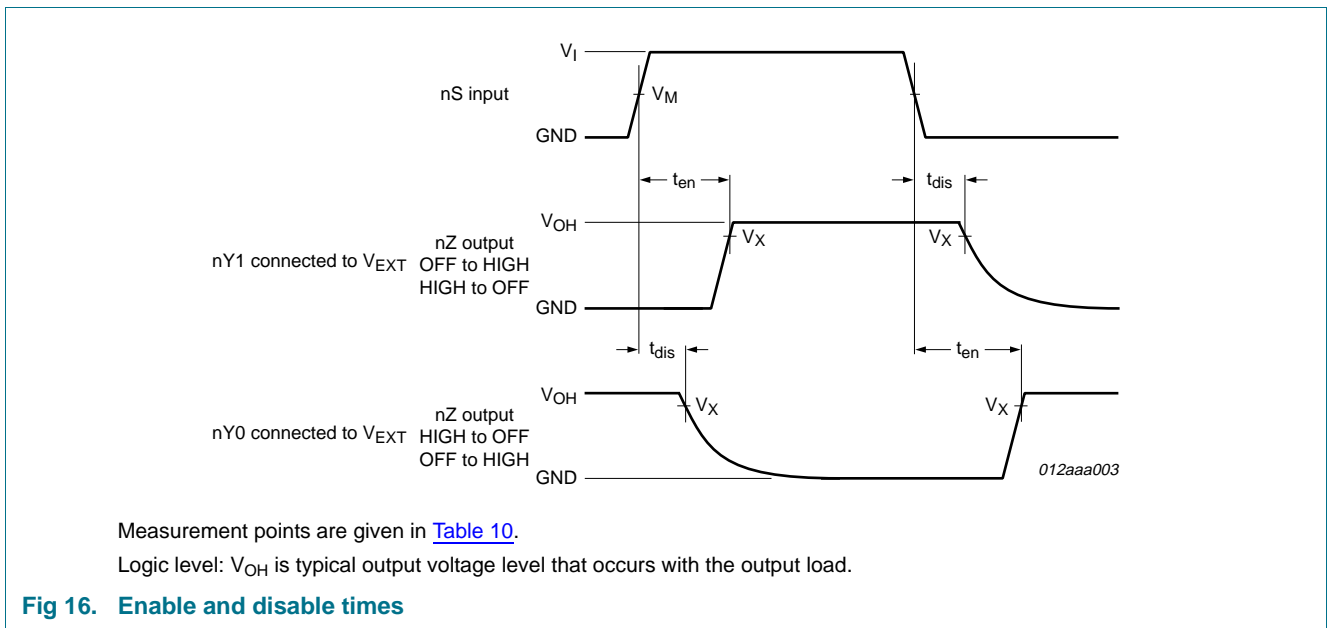


Table 10. Measurement points

| Supply voltage | Input | Output |
|-----------------|--------------------|--------------------|
| V _{CC} | V _M | V _X |
| 1.4 V to 4.3 V | 0.5V _{CC} | 0.9V _{OH} |

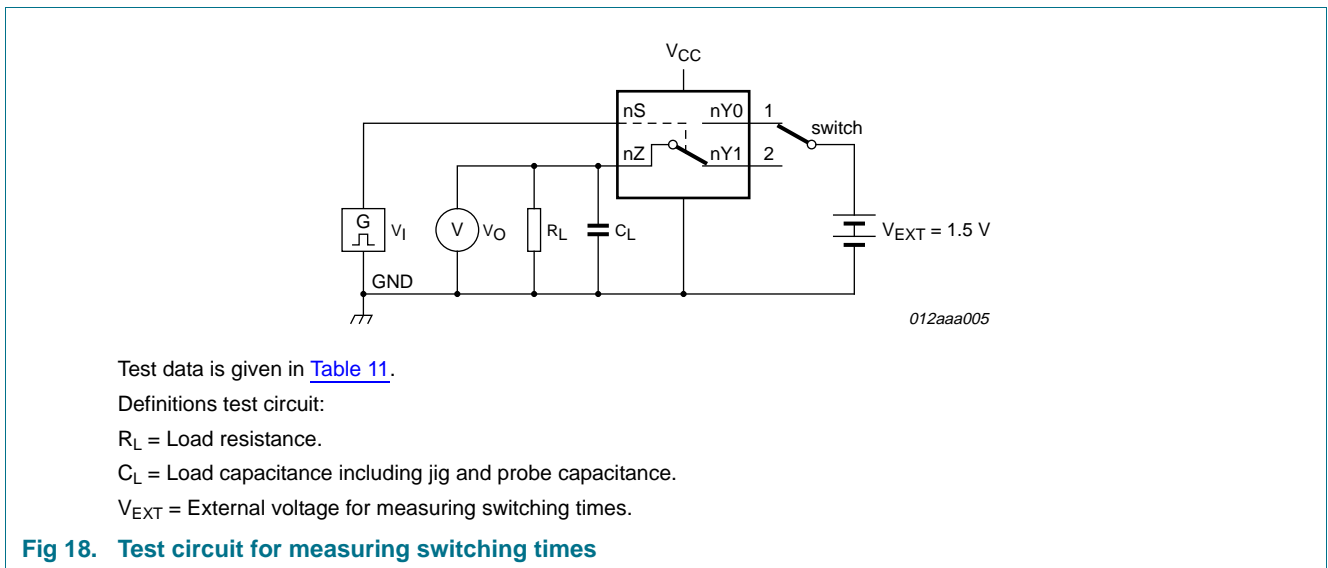
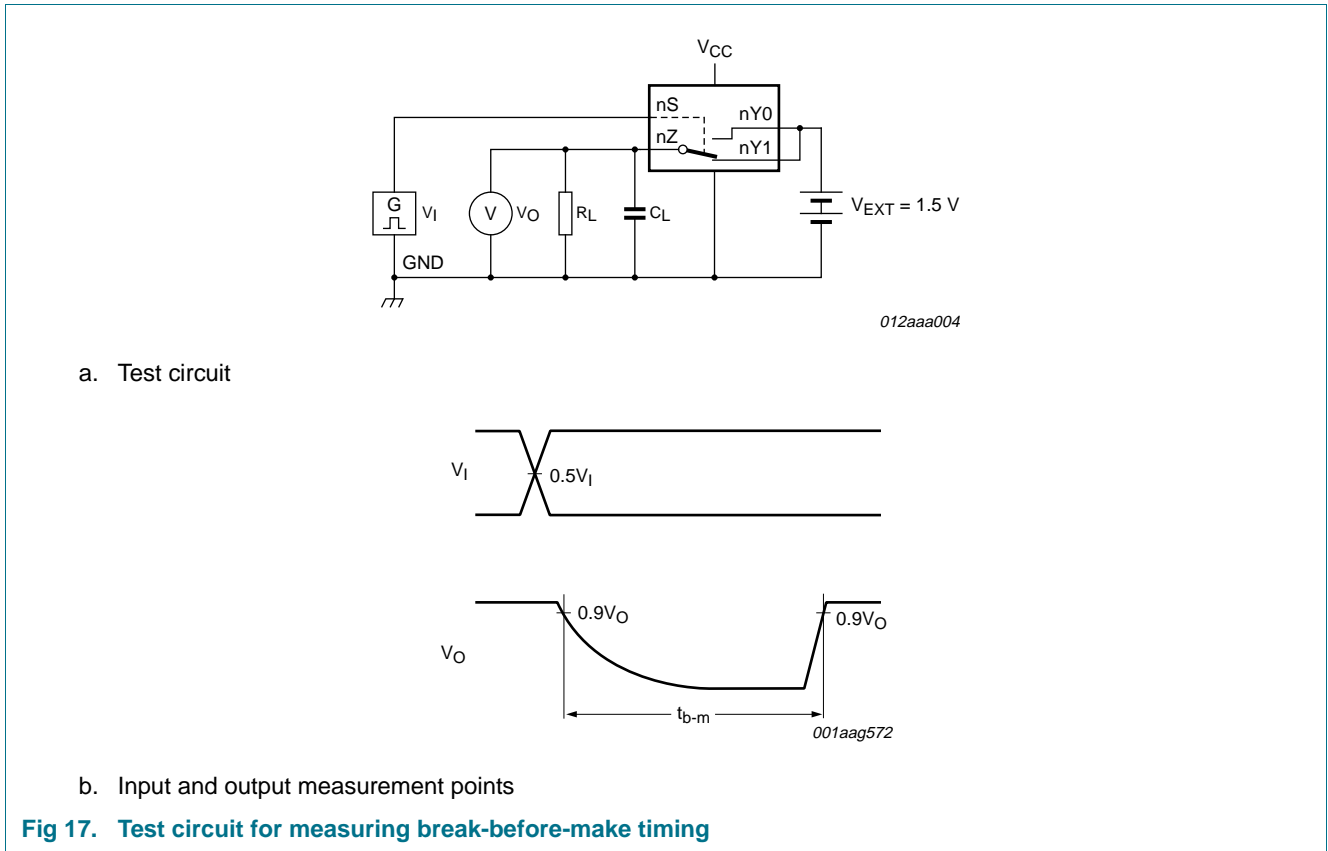


Table 11. Test data

| Supply voltage | Input | | Load | |
|----------------|----------|---------------|-------|-------------|
| V_{CC} | V_I | t_r, t_f | C_L | R_L |
| 1.4 V to 4.3 V | V_{CC} | ≤ 2.5 ns | 35 pF | 50 Ω |

12.2 Additional dynamic characteristics

Table 12. Additional dynamic characteristics

At recommended operating conditions; voltages are referenced to GND (ground = 0 V); $V_I = GND$ or V_{CC} (unless otherwise specified); $t_r = t_f \leq 2.5$ ns; $T_{amb} = 25$ °C.

| Symbol | Parameter | Conditions | Min | Typ | Max | Unit |
|----------------|---------------------------|---|-----|------|-----|------|
| THD | total harmonic distortion | $f_i = 20$ Hz to 20 kHz; $R_L = 32$ Ω; see Figure 19 | [1] | | | |
| | | $V_{CC} = 1.4$ V; $V_I = 1$ V (p-p) | - | 0.15 | - | % |
| | | $V_{CC} = 1.65$ V; $V_I = 1.2$ V (p-p) | - | 0.10 | - | % |
| | | $V_{CC} = 2.3$ V; $V_I = 1.5$ V (p-p) | - | 0.02 | - | % |
| | | $V_{CC} = 2.7$ V; $V_I = 2$ V (p-p) | - | 0.02 | - | % |
| $f_{(-3dB)}$ | -3 dB frequency response | $R_L = 50$ Ω; see Figure 20 | [1] | | | |
| | | $V_{CC} = 1.4$ V to 4.3 V | - | 60 | - | MHz |
| α_{iso} | isolation (OFF-state) | $f_i = 100$ kHz; $R_L = 50$ Ω; see Figure 21 | [1] | | | |
| | | $V_{CC} = 1.4$ V to 4.3 V | - | -90 | - | dB |
| V_{ct} | crosstalk voltage | between digital inputs and switch; $f_i = 1$ MHz; $C_L = 50$ pF; $R_L = 50$ Ω; see Figure 22 | | | | |
| | | $V_{CC} = 1.4$ V to 3.6 V | - | 0.2 | - | V |
| | | $V_{CC} = 3.6$ V to 4.3 V | - | 0.3 | - | V |
| Xtalk | crosstalk | between switches; $f_i = 100$ kHz; $R_L = 50$ Ω; see Figure 23 | [1] | | | |
| | | $V_{CC} = 1.4$ V to 4.3 V | - | -90 | - | dB |
| Q_{inj} | charge injection | $f_i = 1$ MHz; $C_L = 0.1$ nF; $R_L = 1$ MΩ; $V_{gen} = 0$ V; $R_{gen} = 0$ Ω; see Figure 24 | | | | |
| | | $V_{CC} = 1.5$ V | - | 3 | - | pC |
| | | $V_{CC} = 1.8$ V | - | 4 | - | pC |
| | | $V_{CC} = 2.5$ V | - | 6 | - | pC |
| | | $V_{CC} = 3.3$ V | - | 9 | - | pC |
| | | $V_{CC} = 4.3$ V | - | 15 | - | pC |

[1] f_i is biased at $0.5V_{CC}$.

12.3 Test circuits

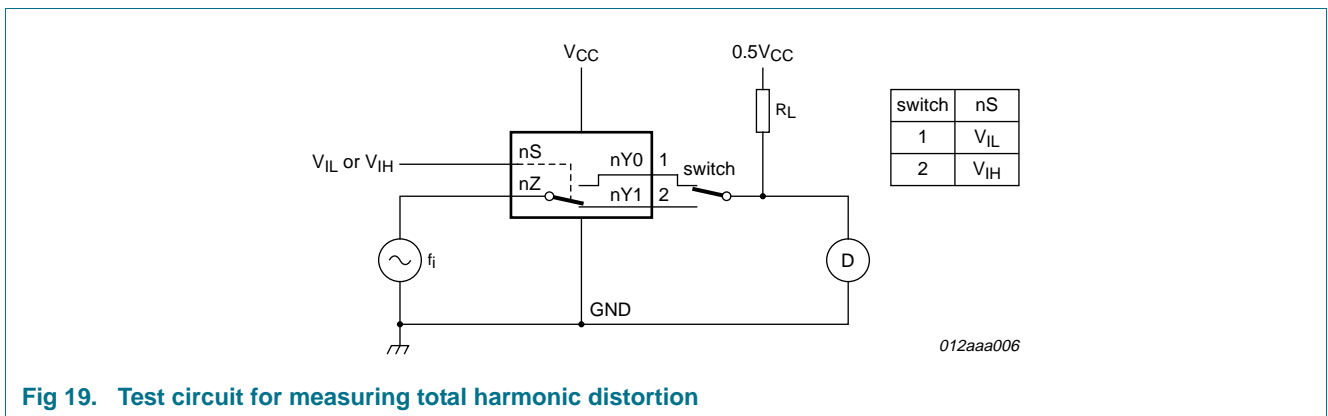
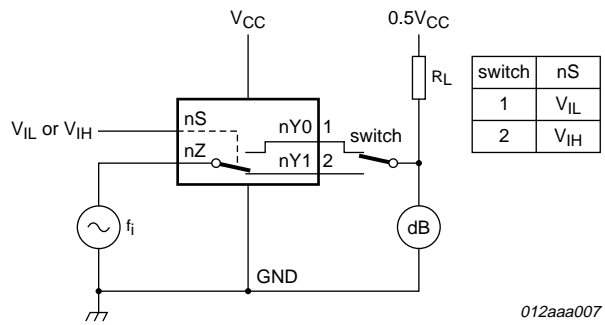


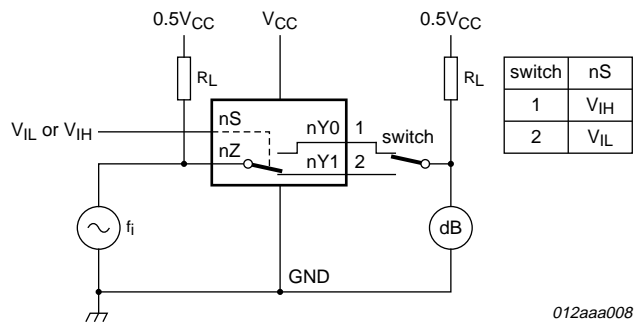
Fig 19. Test circuit for measuring total harmonic distortion



012aaa007

Adjust f_i voltage to obtain 0 dBm level at output. Increase f_i frequency until dB meter reads -3 dB.

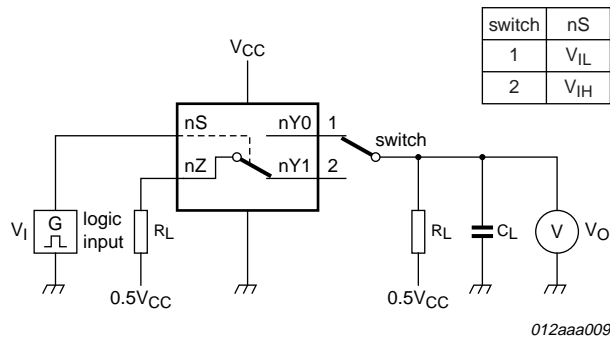
Fig 20. Test circuit for measuring the frequency response when channel is in ON-state



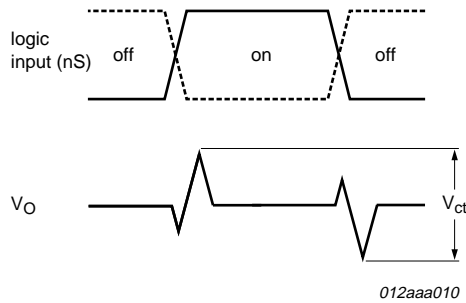
012aaa008

Adjust f_i voltage to obtain 0 dBm level at input.

Fig 21. Test circuit for measuring isolation (OFF-state)

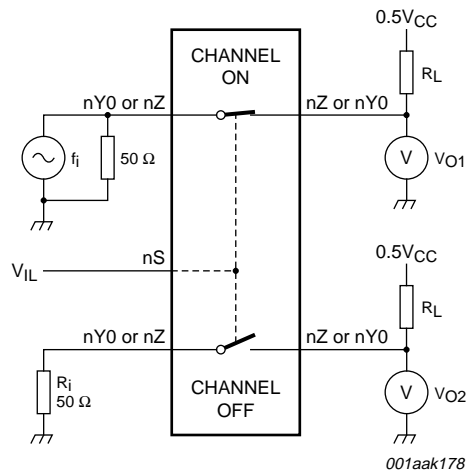


a. Test circuit



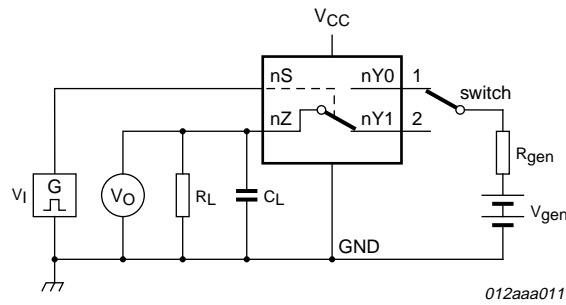
b. Input and output pulse definitions

Fig 22. Test circuit for measuring crosstalk voltage between digital inputs and switch

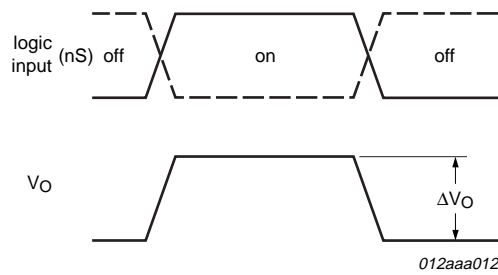


$$20 \log_{10} (V_{O2} / V_{O1}) \text{ or } 20 \log_{10} (V_{O1} / V_{O2}).$$

Fig 23. Test circuit for measuring crosstalk between switches



a. Test circuit



b. Input and output pulse definitions

Definition: $Q_{inj} = \Delta V_O \times C_L$.

ΔV_O = output voltage variation.

R_{gen} = generator resistance.

V_{gen} = generator voltage.

Fig 24. Test circuit for measuring charge injection

13. Package outline

HXQFN16U: plastic thermal enhanced extremely thin quad flat package; no leads; 16 terminals; UTLP based; body 3 x 3 x 0.5 mm

SOT1039-1

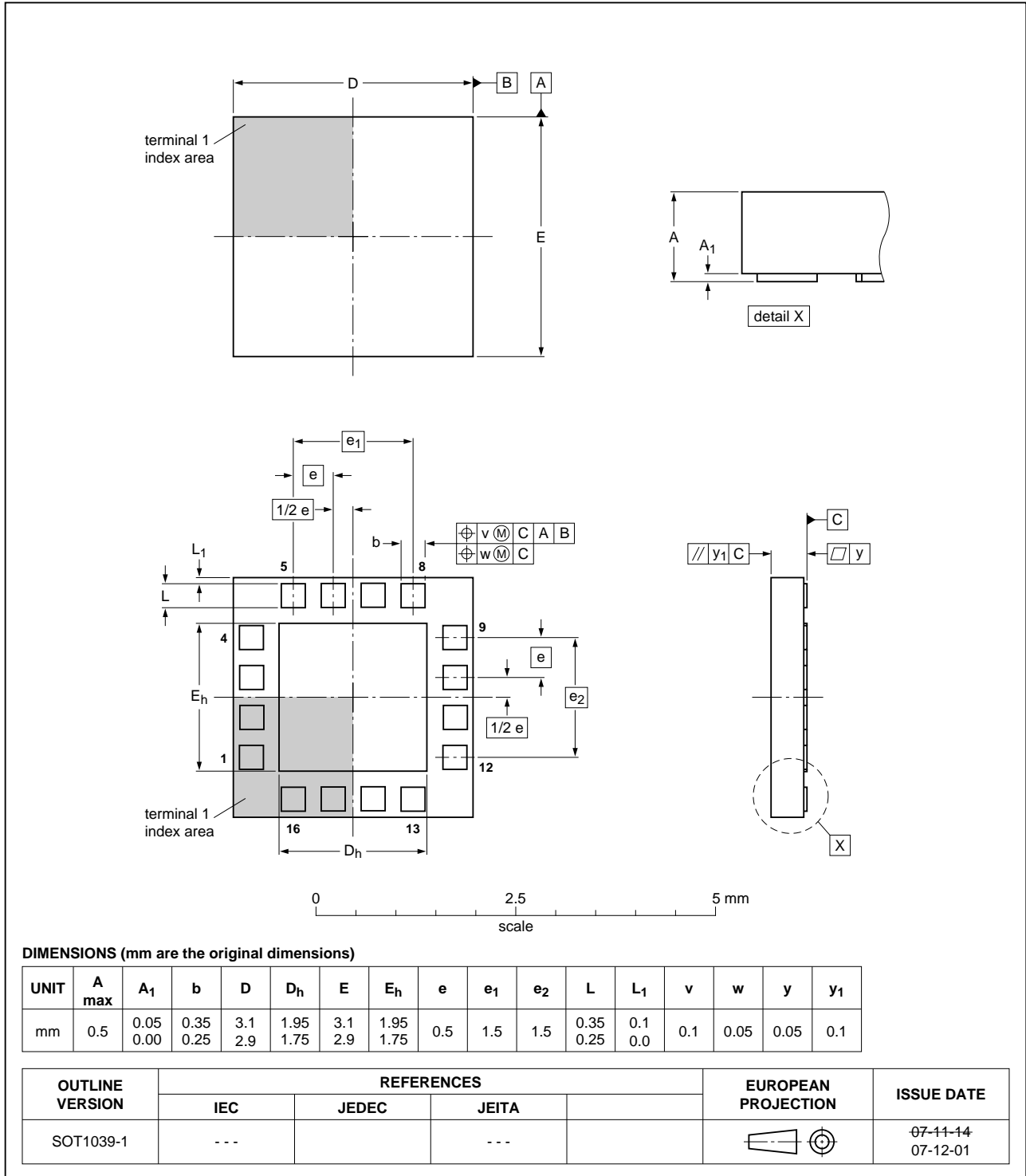


Fig 25. Package outline SOT1039-1 (HXQFN16U)

TSSOP16: plastic thin shrink small outline package; 16 leads; body width 4.4 mm

SOT403-1

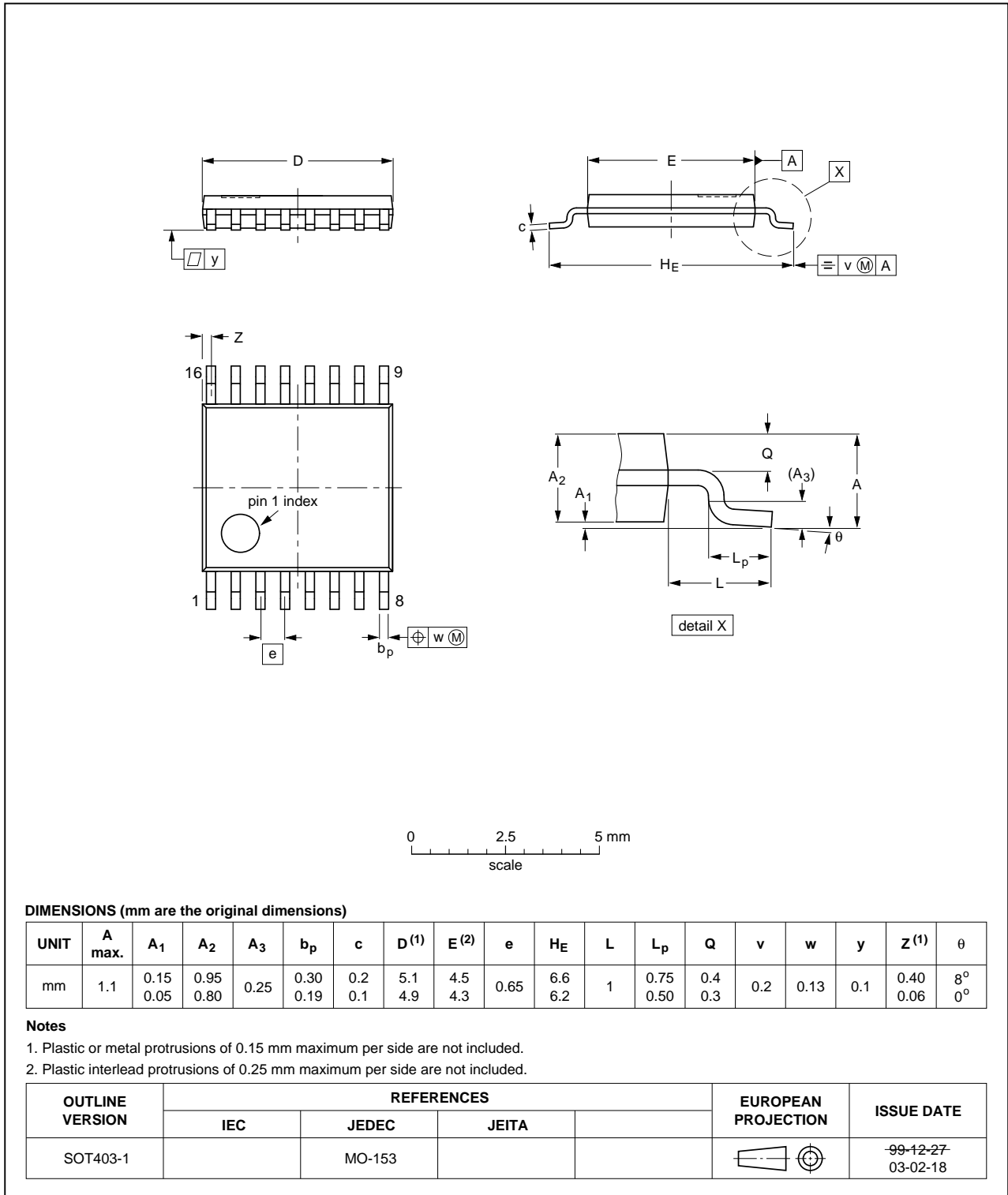


Fig 26. Package outline SOT403-1 (TSSOP16)

XQFN16: plastic, extremely thin quad flat package; no leads; 16 terminals; body 1.80 x 2.60 x 0.50 mm

SOT1161-1

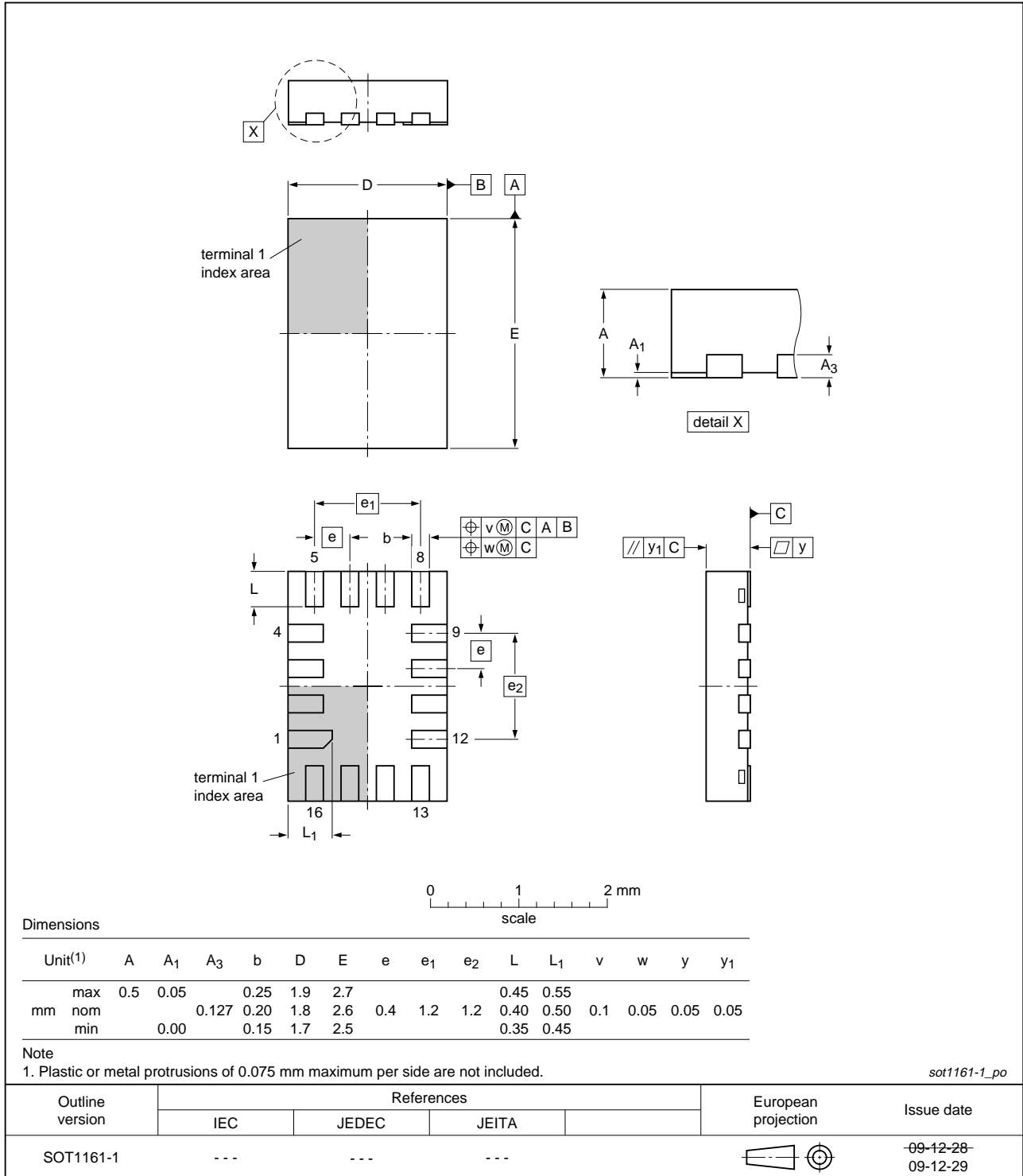


Fig 27. Package outline SOT1161-1 (XQFN16)

14. Abbreviations

Table 13. Abbreviations

| Acronym | Description |
|---------|---|
| CDM | Charged Device Model |
| CMOS | Complementary Metal-Oxide Semiconductor |
| ESD | ElectroStatic Discharge |
| HBM | Human Body Model |
| MM | Machine Model |
| PDA | Personal Digital Assistant |

15. Revision history

Table 14. Revision history

| Document ID | Release date | Data sheet status | Change notice | Supersedes |
|----------------|--|--------------------|---------------|--------------|
| NX3L2467 v.3 | 20101229 | Product data sheet | - | NX3L2467 v.2 |
| Modifications: | <ul style="list-style-type: none"> Section 2: IEC61000-4-2 added. | | | |
| NX3L2467 v.2 | 20100519 | Product data sheet | - | NX3L2467 v.1 |
| Modifications: | <ul style="list-style-type: none"> Added type number NX3L2467GU (XQFN16 / SOT1161 package). Figure 1 changed: pin numbers removed from logic symbol. | | | |
| NX3L2467 v.1 | 20090623 | Product data sheet | - | - |

16. Legal information

16.1 Data sheet status

| Document status ^{[1][2]} | Product status ^[3] | Definition |
|-----------------------------------|-------------------------------|---|
| Objective [short] data sheet | Development | This document contains data from the objective specification for product development. |
| Preliminary [short] data sheet | Qualification | This document contains data from the preliminary specification. |
| Product [short] data sheet | Production | This document contains the product specification. |

[1] Please consult the most recently issued document before initiating or completing a design.

[2] The term 'short data sheet' is explained in section "Definitions".

[3] The product status of device(s) described in this document may have changed since this document was published and may differ in case of multiple devices. The latest product status information is available on the Internet at URL <http://www.nxp.com>.

16.2 Definitions

Draft — The document is a draft version only. The content is still under internal review and subject to formal approval, which may result in modifications or additions. NXP Semiconductors does not give any representations or warranties as to the accuracy or completeness of information included herein and shall have no liability for the consequences of use of such information.

Short data sheet — A short data sheet is an extract from a full data sheet with the same product type number(s) and title. A short data sheet is intended for quick reference only and should not be relied upon to contain detailed and full information. For detailed and full information see the relevant full data sheet, which is available on request via the local NXP Semiconductors sales office. In case of any inconsistency or conflict with the short data sheet, the full data sheet shall prevail.

Product specification — The information and data provided in a Product data sheet shall define the specification of the product as agreed between NXP Semiconductors and its customer, unless NXP Semiconductors and customer have explicitly agreed otherwise in writing. In no event however, shall an agreement be valid in which the NXP Semiconductors product is deemed to offer functions and qualities beyond those described in the Product data sheet.

16.3 Disclaimers

Limited warranty and liability — Information in this document is believed to be accurate and reliable. However, NXP Semiconductors does not give any representations or warranties, expressed or implied, as to the accuracy or completeness of such information and shall have no liability for the consequences of use of such information.

In no event shall NXP Semiconductors be liable for any indirect, incidental, punitive, special or consequential damages (including - without limitation - lost profits, lost savings, business interruption, costs related to the removal or replacement of any products or rework charges) whether or not such damages are based on tort (including negligence), warranty, breach of contract or any other legal theory.

Notwithstanding any damages that customer might incur for any reason whatsoever, NXP Semiconductors' aggregate and cumulative liability towards customer for the products described herein shall be limited in accordance with the *Terms and conditions of commercial sale* of NXP Semiconductors.

Right to make changes — NXP Semiconductors reserves the right to make changes to information published in this document, including without limitation specifications and product descriptions, at any time and without notice. This document supersedes and replaces all information supplied prior to the publication hereof.

Suitability for use in automotive applications — This NXP Semiconductors product has been qualified for use in automotive applications. The product is not designed, authorized or warranted to be

suitable for use in medical, military, aircraft, space or life support equipment, nor in applications where failure or malfunction of an NXP Semiconductors product can reasonably be expected to result in personal injury, death or severe property or environmental damage. NXP Semiconductors accepts no liability for inclusion and/or use of NXP Semiconductors products in such equipment or applications and therefore such inclusion and/or use is at the customer's own risk.

Applications — Applications that are described herein for any of these products are for illustrative purposes only. NXP Semiconductors makes no representation or warranty that such applications will be suitable for the specified use without further testing or modification.

Customers are responsible for the design and operation of their applications and products using NXP Semiconductors products, and NXP Semiconductors accepts no liability for any assistance with applications or customer product design. It is customer's sole responsibility to determine whether the NXP Semiconductors product is suitable and fit for the customer's applications and products planned, as well as for the planned application and use of customer's third party customer(s). Customers should provide appropriate design and operating safeguards to minimize the risks associated with their applications and products.

NXP Semiconductors does not accept any liability related to any default, damage, costs or problem which is based on any weakness or default in the customer's applications or products, or the application or use by customer's third party customer(s). Customer is responsible for doing all necessary testing for the customer's applications and products using NXP Semiconductors products in order to avoid a default of the applications and the products or of the application or use by customer's third party customer(s). NXP does not accept any liability in this respect.

Limiting values — Stress above one or more limiting values (as defined in the Absolute Maximum Ratings System of IEC 60134) will cause permanent damage to the device. Limiting values are stress ratings only and (proper) operation of the device at these or any other conditions above those given in the Recommended operating conditions section (if present) or the Characteristics sections of this document is not warranted. Constant or repeated exposure to limiting values will permanently and irreversibly affect the quality and reliability of the device.

Terms and conditions of commercial sale — NXP Semiconductors products are sold subject to the general terms and conditions of commercial sale, as published at <http://www.nxp.com/profile/terms>, unless otherwise agreed in a valid written individual agreement. In case an individual agreement is concluded only the terms and conditions of the respective agreement shall apply. NXP Semiconductors hereby expressly objects to applying the customer's general terms and conditions with regard to the purchase of NXP Semiconductors products by customer.

No offer to sell or license — Nothing in this document may be interpreted or construed as an offer to sell products that is open for acceptance or the grant, conveyance or implication of any license under any copyrights, patents or other industrial or intellectual property rights.

Export control — This document as well as the item(s) described herein may be subject to export control regulations. Export might require a prior authorization from national authorities.

16.4 Trademarks

Notice: All referenced brands, product names, service names and trademarks are the property of their respective owners.

17. Contact information

For more information, please visit: <http://www.nxp.com>

For sales office addresses, please send an email to: salesaddresses@nxp.com

18. Contents

| | | |
|-----------|---|-----------|
| 1 | General description | 1 |
| 2 | Features and benefits | 1 |
| 3 | Applications | 2 |
| 4 | Ordering information | 2 |
| 5 | Marking | 2 |
| 6 | Functional diagram | 3 |
| 7 | Pinning information | 3 |
| 7.1 | Pinning | 3 |
| 7.2 | Pin description | 4 |
| 8 | Functional description | 4 |
| 9 | Limiting values | 4 |
| 10 | Recommended operating conditions | 5 |
| 11 | Static characteristics | 6 |
| 11.1 | Test circuits | 7 |
| 11.2 | ON resistance | 7 |
| 11.3 | ON resistance test circuit and graphs | 9 |
| 12 | Dynamic characteristics | 11 |
| 12.1 | Waveform and test circuits | 12 |
| 12.2 | Additional dynamic characteristics | 14 |
| 12.3 | Test circuits | 14 |
| 13 | Package outline | 18 |
| 14 | Abbreviations | 21 |
| 15 | Revision history | 21 |
| 16 | Legal information | 22 |
| 16.1 | Data sheet status | 22 |
| 16.2 | Definitions | 22 |
| 16.3 | Disclaimers | 22 |
| 16.4 | Trademarks | 23 |
| 17 | Contact information | 23 |
| 18 | Contents | 24 |

Please be aware that important notices concerning this document and the product(s) described herein, have been included in section 'Legal information'.

© NXP B.V. 2010.

All rights reserved.

For more information, please visit: <http://www.nxp.com>

For sales office addresses, please send an email to: salesaddresses@nxp.com

Date of release: 29 December 2010

Document identifier: NX3L2467