

MAXIM**±50V Isolated, 3.0V to 5.5V,
250kbps, 2 Tx/2 Rx, RS-232 Transceiver****General Description**

The MAX3250 is a 3.0V to 5.5V powered, ±50V isolated EIA/TIA-232 and V.28/V.24 communications interface with high data-rate capabilities. The MAX3250 is a dual die part that operates with up to ±50V difference between the RS-232 side and the logic side (ISOCOM to GND). This makes the device ideal for operation in noisy conditions with high common-mode voltages. This feature prevents damage to the device if RS-232 lines are inadvertently short-circuited to a +24V or ±48V power bus.

The MAX3250 is powered by a single 3V to 5.5V supply on the logic side. Power is transferred from the logic side to the isolated side by ±100V external capacitors.

The MAX3250 has two receivers (Rx) and two drivers (Tx) and is guaranteed to run at data rates of 250kbps while maintaining RS-232 output levels. The transceivers have a proprietary low-dropout transmitter output stage, delivering true RS-232 performance from a 3V to 5.5V supply with a dual charge pump. The device features a FAULT open-drain output to signal an excessive isolated-side voltage condition on any of the RS-232 inputs. This output can drive an alarm LED or can be monitored by the processor to prevent operation under these conditions. The receiver outputs are high impedance in shutdown, allowing multiple interfaces (IrDA, RS-232, RS-485) to be connected to the same UART.

The MAX3250 is available in a space-saving 28-pin SSOP package.

Applications

Industrial Control
Programmable Logic Controller
Point-of-Sale Equipment
PC-to-Router Connections
Diagnostic Ports
Telecom Equipment

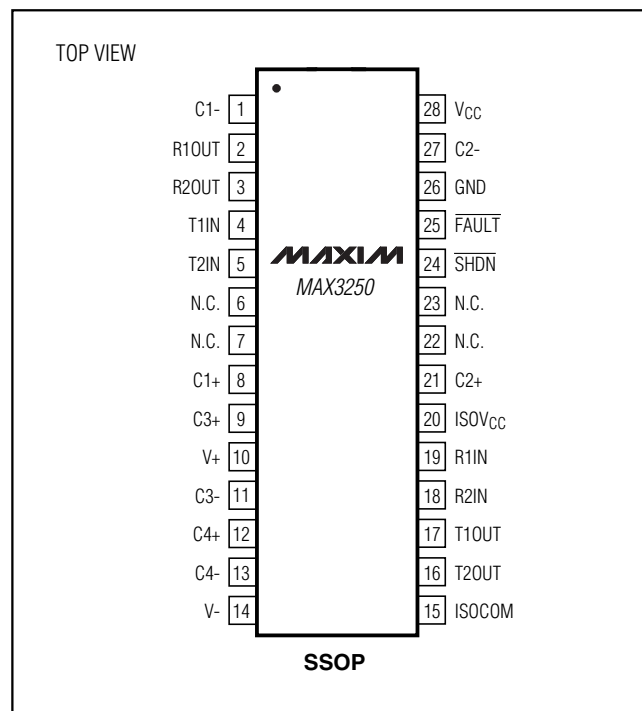
Typical Operating Circuit appears at end of data sheet.

Features

- ◆ ±50V Isolation
- ◆ 20µA Supply Current in Shutdown
- ◆ 250kbps Guaranteed Data Rate
- ◆ FAULT Output
- ◆ High-Impedance Transmitter and Receiver Outputs in Shutdown
- ◆ Space-Saving SSOP Package
- ◆ Inductorless/Transformerless Design Simplifies EMI Compliance
- ◆ Low-Cost Replacement for Opto-Isolated Transceivers
- ◆ Meets EIA/TIA-232 Specifications Down to 3.0V

Ordering Information

PART	TEMP RANGE	PIN-PACKAGE
MAX3250CAI	0°C to +70°C	28 SSOP
MAX3250EAI	-40°C to +85°C	28 SSOP

Pin Configuration**MAX3250****MAXIM**

Maxim Integrated Products 1

For pricing, delivery, and ordering information, please contact Maxim/Dallas Direct! at 1-888-629-4642, or visit Maxim's website at www.maxim-ic.com.

±50V Isolated, 3.0V to 5.5V, 250kbps, 2 TX/2 RX, RS-232 Transceiver

ABSOLUTE MAXIMUM RATINGS

All Voltages Referenced to GND, Unless Otherwise Noted.

V _{CC}	-0.3V to +6V
ISOCOM.....	±80V
ISOV _{CC} to ISOCOM.....	-0.3V to +6V
V+ to ISOCOM (Note 1).....	-0.3V to +7V
V- to ISOCOM (Note 1).....	+0.3V to -7V
V+ + IV-I (Note 1).....	13V
Input Voltages	
T _{IN} , SHDN.....	-0.3V to +6V
R _{IN} to ISOCOM.....	±25V
Output Voltages	
T _{OUT} to ISOCOM.....	±13.2V
R _{OUT}	-0.3V to (V _{CC} + 0.3V)
FAULT.....	-0.3V to +6V

C1-, C2-.....	-0.3V to (V _{CC} + 0.3V)
C1+, C2+, C3+, C3-, C4+, C4- to ISOCOM.....	-0.3V to (ISOV _{CC} + 0.3V)
T _{OUT} Current.....	30mA (continuous), 50mA (peak, 10μs)
R _{IN} Current.....	30mA (continuous), 50mA (peak, 10μs)
ISOCOM Current.....	30mA (continuous), 50mA (peak, 10μs)
Short-Circuit Duration T _{OUT} to ISOCOM.....	Continuous
Continuous Power Dissipation (T _A = +70°C)	
28-Pin SSOP (derate 9.5mW/°C above +70°C).....	762mW
Operating Temperature Ranges	
MAX3250CAI.....	0°C to +70°C
MAX3250EAI.....	-40°C to +85°C
Storage Temperature Range.....	-65°C to +150°C
Lead Temperature (soldering, 10s).....	+300°C

Note 1: V+ and V- can have a maximum magnitude of 7V, but their absolute difference cannot exceed 13V.

Stresses beyond those listed under "Absolute Maximum Ratings" may cause permanent damage to the device. These are stress ratings only, and functional operation of the device at these or any other conditions beyond those indicated in the operational sections of the specifications is not implied. Exposure to absolute maximum rating conditions for extended periods may affect device reliability.

ELECTRICAL CHARACTERISTICS

(V_{CC} = 3.0V to 5.5V, see *Typical Operating Circuit* and Table 1 for capacitor values, ISOCOM = GND, T_A = T_{MIN} to T_{MAX}, unless otherwise noted. Typical values are at V_{CC} = 3.3V and T_A = +25°C.) (Note 2)

PARAMETER	CONDITIONS	MIN	TYP	MAX	UNITS
DC CHARACTERISTICS					
Supply Current	SHDN = V _{CC} , no load		15	35	mA
Supply Current Shutdown	SHDN = GND, V _{ISOCOM} = GND		20	45	μA
	SHDN = GND, V _{ISOCOM} = ±50V			±350	
Maximum Ground Differential	V _{GND} - V _{ISOCOM}			50	V
Isolation Resistance	Between GND and ISOCOM		60		kΩ
LOGIC INPUTS					
Input Logic Low	T _{IN} , SHDN			0.8	V
Input Logic High	T _{IN} , SHDN	V _{CC} = 3.3V	2.0		V
		V _{CC} = 5.0V	2.4		
Transmitter Input Hysteresis			0.5		V
Input Leakage Current	T _{IN} , SHDN	-1	±0.01	+1	μA
RECEIVER OUTPUTS					
Output Leakage Current	SHDN = GND	-10	±0.05	+10	μA
Output Voltage Low	I _{OUT} = 1.6mA			0.4	V
Output Voltage High	I _{OUT} = -1.0mA	V _{CC} - 0.6		V _{CC} - 0.1	V
FAULT OUTPUT					
Output Voltage Low (Open Drain)	I _{OUT} = 5mA			0.4	V
Output Leakage Current	FAULT not asserted			1	μA
FAULT Trip Level	V _{GND} - V _{ISOCOM}		55		V

±50V Isolated, 3.0V to 5.5V, 250kbps, 2 TX/2 RX, RS-232 Transceiver

MAX3250

ELECTRICAL CHARACTERISTICS (continued)

(V_{CC} = 3.0V to 5.5V, see *Typical Operating Circuit* and Table 1 for capacitor values, ISOCOM = GND, T_A = T_{MIN} to T_{MAX}, unless otherwise noted. Typical values are at V_{CC} = 3.3V and T_A = +25°C.) (Note 2)

PARAMETER	CONDITIONS		MIN	TYP	MAX	UNITS
RECEIVER INPUTS (relative to ISOCOM)						
Input Voltage Range			-25		+25	V
Input Threshold Low	T _A = +25°C	V _{CC} = 3.3V		1.2	0.6	V
		V _{CC} = 5.0V		1.3	0.8	
Input Threshold High	T _A = +25°C	V _{CC} = 3.3V	2.4	1.6		V
		V _{CC} = 5.0V	2.4	1.7		
Input Hysteresis				0.5		V
Input Resistance	T _A = +25°C		3	5	7	kΩ
TRANSMITTER OUTPUTS (relative to ISOCOM)						
Output Voltage Swing	All transmitter outputs loaded with 3kΩ to ISOCOM		±5.0	±5.4		V
Output Resistance	ISOV _{CC} = V+ = V- = 0V, T _{OUT} = ±2V		300	10M		Ω
Output Short-Circuit Current			-60		+60	mA
Output Leakage Current	V _{CC} = 0 or 3V to 5.5V, T _{OUT} = ±12V, SHDN = GND		-25		+25	μA

TIMING CHARACTERISTICS

(V_{CC} = 3.0V to 5.5V, see *Typical Operating Circuit* and Table 1 for capacitor values, ISOCOM = GND, T_A = T_{MIN} to T_{MAX}, unless otherwise noted. Typical values are at V_{CC} = 3.3V and T_A = +25°C.)

PARAMETER	CONDITIONS		MIN	TYP	MAX	UNITS
Maximum Data Rate	R _L = 3kΩ, C _L = 1000pF to ISOCOM, one transmitter		250			kbps
Receiver Propagation Delay	R _{IN} to R _{OUT} , C _L = 150pF to GND			0.4		μs
Receiver Skew	t _{PHL} - t _{PLH}			100		ns
Transmitter Skew	t _{PHL} - t _{PLH} (Note 3)			120		ns
Transition-Region Slew Rate	V _{CC} = 3.3V, T _A = +25°C, R _L = 3kΩ to 7kΩ to ISOCOM, measured from +3V to -3V or -3V to +3V	C _L = 150pF to 1000pF to ISOCOM	6		30	V/μs
		C _L = 150pF to 2500pF to ISOCOM	4		30	
FAULT Propagation Delay				0.3		μs
Time to Shutdown				0.5		μs
Time to Exit Shutdown	V _{ISOCOM} = GND			300		μs
	V _{ISOCOM} = ±50V			350		

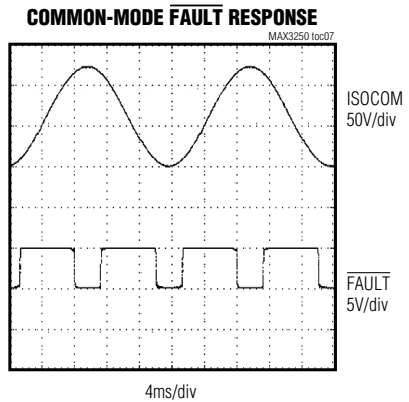
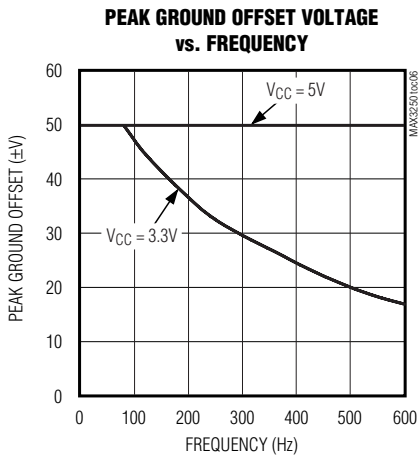
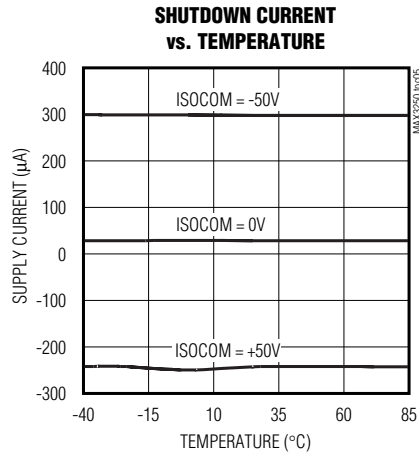
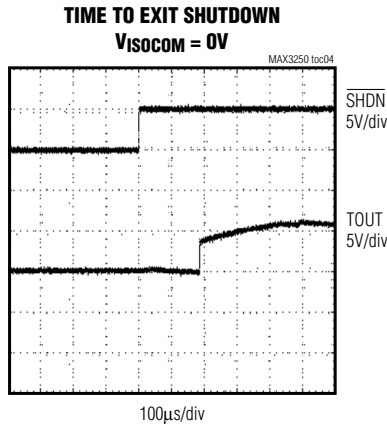
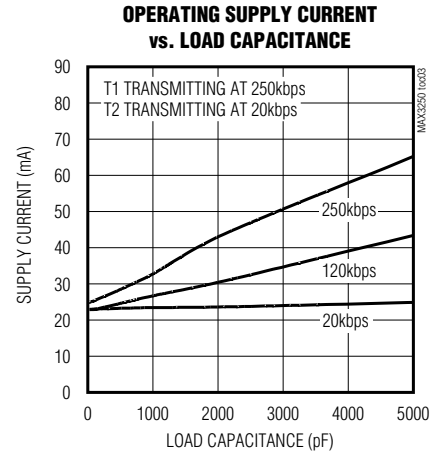
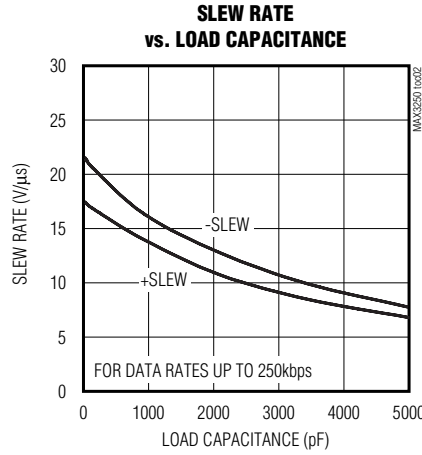
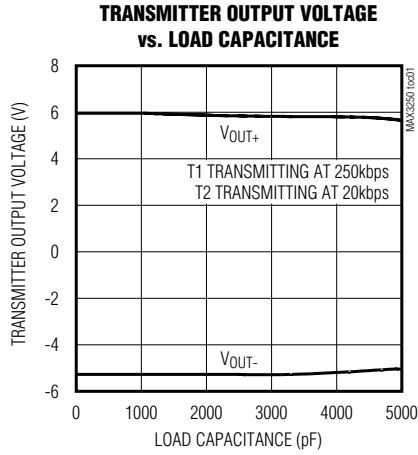
Note 2: All currents into the device are positive; all currents out of the device are negative. All voltages are referenced to device ground, unless otherwise noted.

Note 3: Transmitter skew is measured at the transmitter zero crosspoints.

±50V Isolated, 3.0V to 5.5V, 250kbps, 2 TX/2 RX, RS-232 Transceiver

Typical Operating Characteristics

($V_{CC} = 3.3V$, 250kbps data rate, see *Typical Operating Circuit* and Table 1 for capacitor values, all transmitters loaded with $3k\Omega$ and C_L to ISOCOM, $T_A = +25^\circ C$, unless otherwise noted.)



$\pm 50V$ Isolated, 3.0V to 5.5V, 250kbps, 2 TX/2 RX, RS-232 Transceiver

Pin Description

MAX3250

PIN	NAME	FUNCTION
1	C1-	Negative Terminal of the Power Isolation Capacitor. Connect a 100V capacitor from C1- to C1+. See Table 1 for values.
2	R1OUT	TTL/CMOS Receiver Output
3	R2OUT	TTL/CMOS Receiver Output
4	T1IN	TTL/CMOS Transmitter Input
5	T2IN	TTL/CMOS Transmitter Input
6, 22, 23	N.C.	No Connection. Not internally connected.
7	N.C.	No Connection. Leave unconnected or connect to ISOCOM.
8	C1+	Positive Terminal of the Power Isolation Capacitor. Connect a 100V capacitor from C1+ to C1-. See Table 1 for values.
9	C3+	Positive Terminal of the Voltage-Doubler Charge-Pump Capacitor. Connect a 0.1 μ F capacitor from C3+ to C3-.
10	V+	+5.5V Generated by the Charge Pump, Referenced to ISOCOM. Bypass V+ to ISOCOM with a 0.47 μ F capacitor.
11	C3-	Negative Terminal of the Voltage-Doubler Charge-Pump Capacitor. Connect a 0.1 μ F capacitor from C3- to C3+.
12	C4+	Positive Terminal of the Inverting Charge-Pump Capacitor. Connect a 0.47 μ F capacitor from C4+ to C4-.
13	C4-	Negative Terminal of the Inverting Charge-Pump Capacitor. Connect a 0.47 μ F capacitor from C4- to C4+.
14	V-	-5.5V Generated by the Charge Pump, Referenced to ISOCOM. Bypass V- to ISOCOM with a 0.47 μ F capacitor.
15	ISOCOM	Isolated Ground
16	T2OUT	RS-232 Transmitter Output
17	T1OUT	RS-232 Transmitter Output
18	R2IN	RS-232 Receiver Input
19	R1IN	RS-232 Receiver Input
20	ISOV _{CC}	Internally Generated Isolated Power-Supply Voltage, Referenced to ISOCOM. Bypass ISOV _{CC} to ISOCOM with a 1 μ F capacitor.
21	C2+	Positive Terminal of the Power Isolation Capacitor. Connect a 100V capacitor from C2+ to C2-. See Table 1 for values.
24	$\overline{\text{SHDN}}$	Shutdown Control. Drive $\overline{\text{SHDN}}$ low to enter low-power shutdown mode. Drive $\overline{\text{SHDN}}$ high or connect to V _{CC} for normal operation.
25	$\overline{\text{FAULT}}$	Oversvoltage Indicator. Active low, open drain.
26	GND	Ground
27	C2-	Negative Terminal of the Power Isolation Capacitor. Connect a 100V capacitor from C2- to C2+. See Table 1 for values.
28	V _{CC}	3.0V to 5.5V Supply Voltage. Bypass V _{CC} to GND with a 1 μ F capacitor.

$\pm 50V$ Isolated, 3.0V to 5.5V, 250kbps, 2 TX/2 RX, RS-232 Transceiver

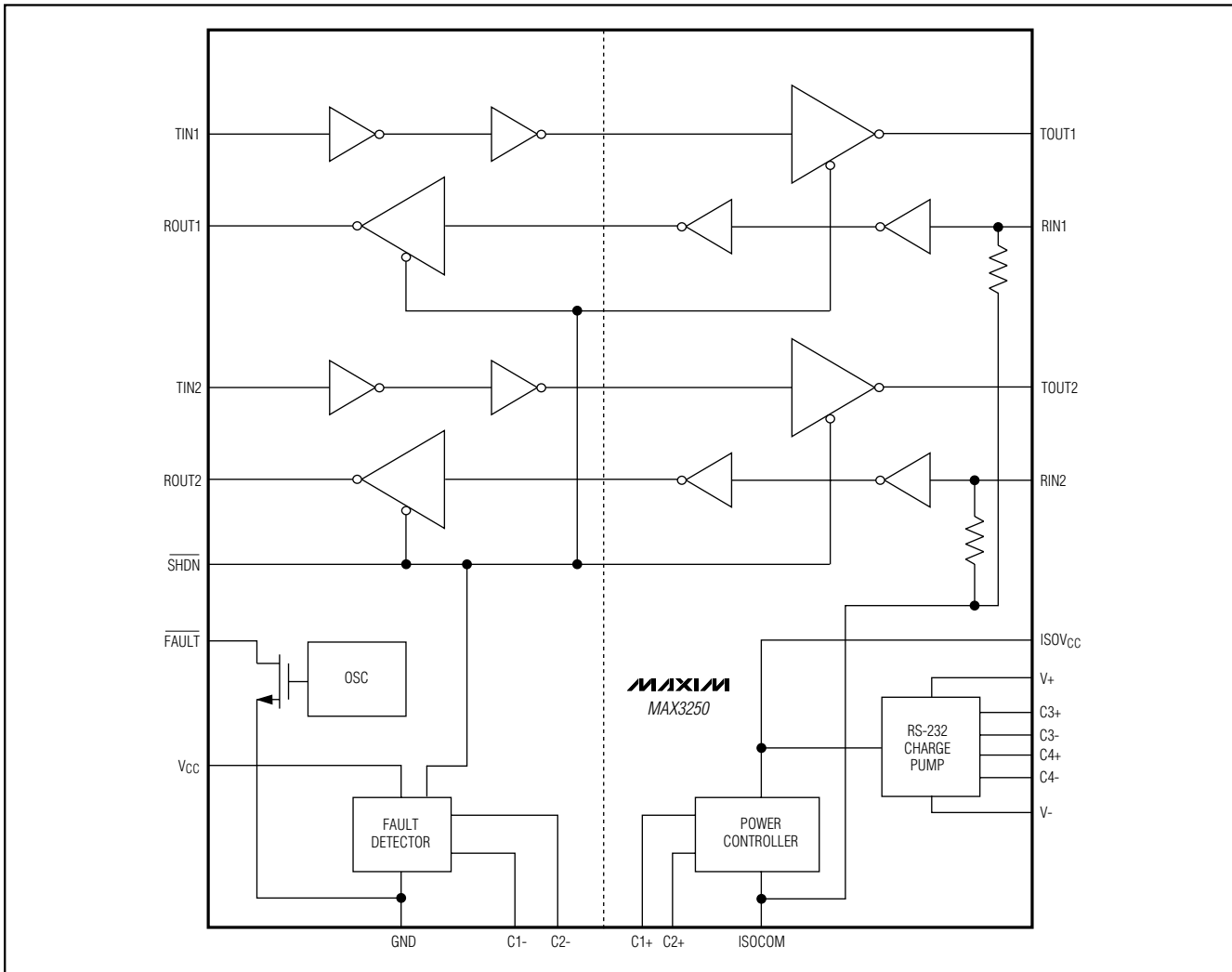


Figure 1. Functional Diagram

Detailed Description

The MAX3250 is a 3.0V to 5.5V powered, $\pm 50V$ isolated EIA/TIA-232 and V.28/V.24 communications interface with high data-rate capabilities. The MAX3250 is a dual die part that operates with up to $\pm 50V$ difference between the RS-232 side and the logic side (ISOCOM to GND). This makes the device ideal for operation in noisy conditions with high common-mode voltages. This feature prevents damage to the device if RS-232 lines are inadvertently short-circuited to a +24V or $\pm 48V$ power bus.

The MAX3250 typically draws 15mA of supply current when unloaded. Supply current drops to 20 μA when the device is placed in shutdown mode.

The MAX3250 has two receivers and two drivers and is guaranteed to operate at data rates up to 250kbps. The device features a \overline{FAULT} open-drain output to signal an excessive isolated-side voltage condition on any of the RS-232 inputs. This output can drive an alarm LED or can be monitored by the processor to prevent operation under these conditions. The receiver outputs are high impedance in shutdown, allowing multiple interfaces (IrDA, RS-232, RS-485) to be connected to the same UART (Figure 1). The MAX3250 is a low-cost replacement for opto-isolated transceivers.

Isolated Power Supply

The MAX3250 drives a high-frequency square wave into C1 and a complementary square wave into C2. These

±50V Isolated, 3.0V to 5.5V, 250kbps, 2 TX/2 RX, RS-232 Transceiver

MAX3250

AC waveforms are rectified on the isolated side of the dual die to power its internal circuitry (ISOV_{CC}). Capacitor C6 filters the output of the rectifier. See the *Typical Operating Circuit*.

The power controller works in a dual power mode. Power is maximum when the isolated power supply is below its regulation point. Power is reduced when the isolated power supply is above its regulation point.

Dual Charge-Pump Voltage Converter

The RS-232 drivers are powered from a regulated dual charge pump that provides output voltages of +5.5V (doubling charge pump) and -5.5V (inverting charge pump) relative to ISOCOM over the 3.0V to 5.5V V_{CC} range.

The charge pumps are powered from ISOV_{CC} and operate in a discontinuous mode. If the output voltages are less than 5.5V, the charge pumps are enabled. If the output voltages exceed 5.5V, the charge pumps are disabled. Each charge pump requires a flying capacitor (C3, C4) and a reservoir capacitor (C7, C8) to generate the V+ and V- supplies.

RS-232 Transmitters

The transmitters are inverting level translators that convert TTL/CMOS-logic levels to ±5.0V EIA/TIA-232-compliant levels. They guarantee a 250kbps data rate with worst-case loads of 3kΩ in parallel with 1000pF to ISOCOM. In shutdown, the transmitters are disabled and the outputs are forced into a high-impedance state. When powered off or shut down, the outputs can be driven up to ±12V relative to ISOCOM. The transmitter inputs do not have pullup resistors. All unused inputs should be connected to V_{CC} or GND.

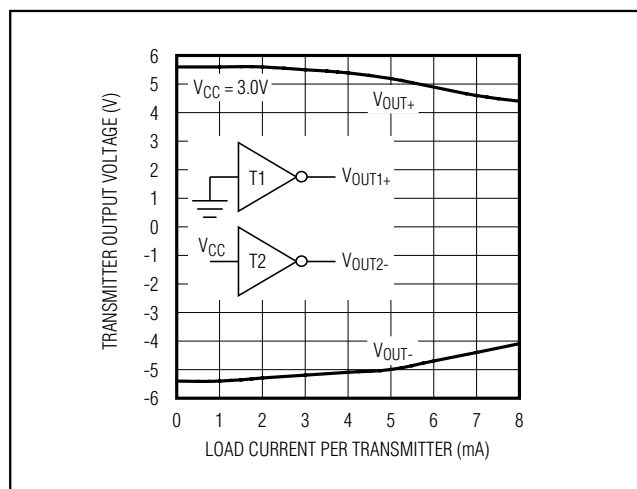


Figure 2. Transmitter Output Voltage vs. Load Current per Transmitter

RS-232 Receivers

The receivers convert RS-232 signals to CMOS-logic output levels. The receivers' outputs are forced into a high-impedance state when the device is in shutdown. This allows a single UART to multiplex between different protocols.

Low-Power Shutdown Mode

Shutdown mode is obtained by driving $\overline{\text{SHDN}}$ low. In shutdown, the devices typically draw only 20μA of supply current and no power is transferred across the isolation capacitors. The charge pumps are disabled, and the receiver outputs and transmitter outputs are high impedance. When exiting shutdown the charge pumps and transmitter outputs are fully operational in typically 500μs (Figure 3). Connect $\overline{\text{SHDN}}$ to V_{CC} if the shutdown mode is not used.

Applications Information

Power Isolation Capacitors

The values for capacitors C1 and C2 are important for proper operation of the device. These capacitors should be 0.047μF for 4.5V to 5.5V operation, and 0.47μF for 3.0V to 3.6V operation. Smaller values result in insufficient supply voltage on the isolated side. Larger values are not allowed.

Capacitor C9 provides an AC feedback path for proper controller operation. Connect C9 from ISOCOM to GND.

The values for C1, C2, and C9 determine the maximum frequency and amplitude of the voltage difference between the local and isolated ground. Table 1 shows proper capacitance values.

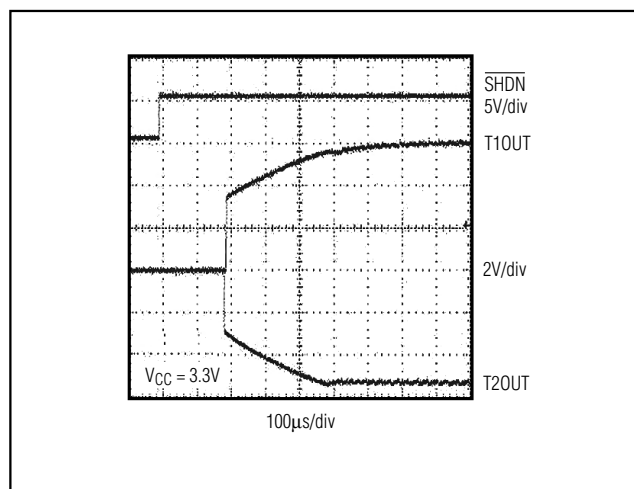


Figure 3. Transmitter Outputs when Exiting Shutdown or Powering Up

$\pm 50V$ Isolated, 3.0V to 5.5V, 250kbps, 2 TX/2 RX, RS-232 Transceiver

Table 1. Required Capacitor Values

V _{CC} (V)	C1, C2 (μ F)	C3 (μ F)	C4, C7, C8 (μ F)	C5, C6 (μ F)	C9 (nF)
3.0 to 3.6	0.47	0.1	0.47	1	10
4.5 to 5.5	0.047	0.1	0.47	1	10

To achieve full isolation capability, C1, C2, and C9 should be rated for 100V or higher operation and be X7R or X5R type or metalized film dielectric. Y5V and Z5U dielectrics should be avoided as their voltage and temperature coefficients make their power-transfer capabilities insufficient.

Charge-Pump and Bypass Capacitors

Capacitors C3–C8 should be X7R or X5R type dielectric. Their voltage rating needs to be 10V or higher.

Layout Information

Because the MAX3250 is intended for systems requiring $\pm 50V$ isolation, some consideration in component placement is necessary.

A 20mil air gap should isolate the logic side and the isolated RS-232 side, across the N.C. pins (pin numbers 6, 7, 22, and 23) of the MAX3250. The only components that cross this air gap should be C1, C2, and C9, which should all have a minimum 100V rating.

All capacitors should be located as close to the MAX3250 as possible.

Maximum Voltage Between ISOCOM and Logic GND

High values of applied isolation voltage and frequency can cause ripple on ISOV_{CC}, V+, V-, and in extreme cases on V_{CC}. Therefore, it is recommended that the isolation-voltage and frequency be limited to the values shown in the *Typical Operating Characteristics*.

Insert a 1k Ω 1/4W resistor in series with any isolation test voltage when testing for maximum values of applied isolation voltage. Exceeding the maximum limits of voltage and frequency (see the *Typical Operating Characteristics*) could trigger a holding current in the internal ESD-protection device if the $\pm 80V$ isolation limit is exceeded. This resistor should not be used in normal application.

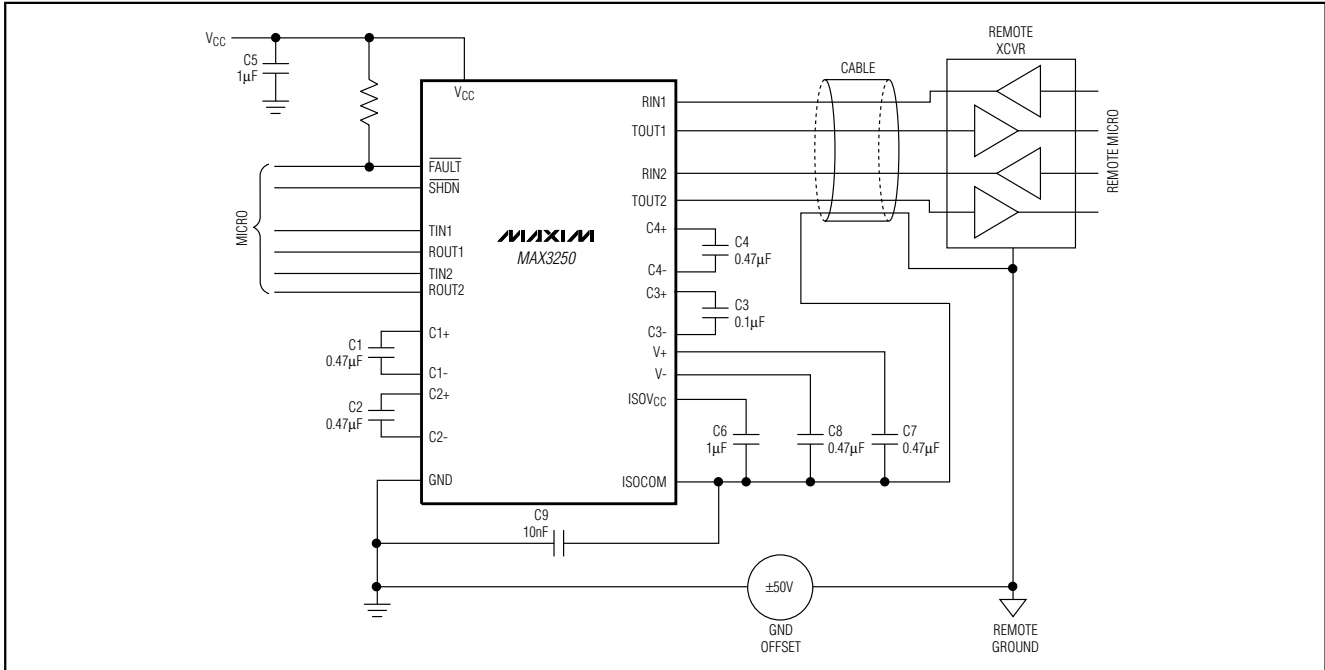
Transmitter Outputs when Exiting Shutdown

Figure 3 shows two transmitter outputs when exiting shutdown mode. As they become active, the two transmitter outputs are shown going to opposite RS-232 levels (one transmitter input is high, the other is low). Each transmitter is loaded with 3k Ω in parallel with 2500pF. The transmitter outputs display no ringing or undesirable transients as they come out of shutdown. Note that the transmitters are enabled only when the magnitude of V- exceeds approximately -3V.

±50V Isolated, 3.0V to 5.5V, 250kbps, 2 TX/2 RX, RS-232 Transceiver

Typical Operating Circuit

MAX3250



Chip Information

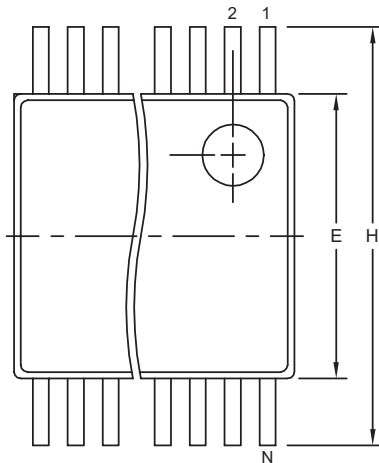
TRANSISTOR COUNT: 2094

PROCESS: BiCMOS

$\pm 50V$ Isolated, 3.0V to 5.5V, 250kbps, 2 TX/2 RX, RS-232 Transceiver

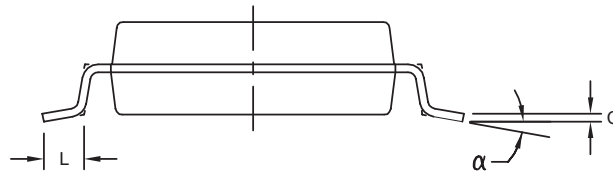
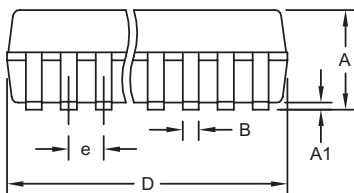
Package Information

(The package drawing(s) in this data sheet may not reflect the most current specifications. For the latest package outline information, go to www.maxim-ic.com/packages.)



DIM	INCHES		MILLIMETERS	
	MIN	MAX	MIN	MAX
A	0.068	0.078	1.73	1.99
A1	0.002	0.008	0.05	0.21
B	0.010	0.015	0.25	0.38
C	0.004	0.008	0.09	0.20
D	SEE VARIATIONS			
E	0.205	0.212	5.20	5.38
e	0.0256 BSC		0.65 BSC	
H	0.301	0.311	7.65	7.90
L	0.025	0.037	0.63	0.95
α	0 $^\infty$	8 $^\infty$	0 $^\infty$	8 $^\infty$

D	INCHES		MILLIMETERS		N
	MIN	MAX	MIN	MAX	
D	0.239	0.249	6.07	6.33	14L
D	0.239	0.249	6.07	6.33	16L
D	0.278	0.289	7.07	7.33	20L
D	0.317	0.328	8.07	8.33	24L
D	0.397	0.407	10.07	10.33	28L



NOTES:

1. D&E DO NOT INCLUDE MOLD FLASH.
2. MOLD FLASH OR PROTRUSIONS NOT TO EXCEED .15 MM (.006").
3. CONTROLLING DIMENSION: MILLIMETERS.
4. MEETS JEDEC MO150.
5. LEADS TO BE COPLANAR WITHIN 0.10 MM.

<small>PROPRIETARY INFORMATION</small>	
<small>TITLE:</small> PACKAGE OUTLINE, SSOP, 5.3 MM	
<small>APPROVAL</small>	<small>DOCUMENT CONTROL NO.</small> 21-0056
<small>REV.</small> C	<small>1/1</small>

SSOP EFS

Maxim cannot assume responsibility for use of any circuitry other than circuitry entirely embodied in a Maxim product. No circuit patent licenses are implied. Maxim reserves the right to change the circuitry and specifications without notice at any time.

10 _____ **Maxim Integrated Products, 120 San Gabriel Drive, Sunnyvale, CA 94086 408-737-7600**