



1% Accurate, Quad-/Hex-/Octal-Voltage μ P Supervisors

General Description

The MAX16060/MAX16061/MAX16062 are 1% accurate, quad-/hex-/octal-voltage μ P supervisors in a small thin QFN package. These devices provide supervisory functions for complex multivoltage systems. The MAX16060 monitors four voltages, the MAX16061 monitors six voltages, and the MAX16062 monitors eight voltages.

These devices offer independent outputs for each monitored voltage along with a reset output that asserts whenever any of the monitored voltages fall below their respective thresholds (down to 0.4V) or the manual reset input is asserted. The reset output remains asserted for the reset timeout after all voltages are above their respective thresholds and the manual reset input is deasserted. The minimum reset timeout is internally set to 140ms or can be adjusted with an external capacitor.

All open-drain outputs have internal 30 μ A pullups that eliminate the need for external pullup resistors. However, each output can be driven with an external voltage up to 5.5V. Other features offered include a manual reset input, a tolerance pin for selecting 5% or 10% input thresholds, and a margin enable function for deasserting the outputs during margin testing.

An additional feature is a watchdog timer that asserts $\overline{\text{RESET}}$ when the watchdog timeout period (1.6s typ) is exceeded. The watchdog timer can be disabled by leaving WDI unconnected.

These devices are offered in 16-, 20-, and 24-pin thin QFN packages (4mm x 4mm) and are fully specified from -40°C to +125°C.

Ordering Information

| PART | TEMP RANGE | PIN-PACKAGE |
|--------------|-----------------|-------------|
| MAX16060_TE+ | -40°C to +125°C | 16 TQFN-EP* |
| MAX16061_TP+ | -40°C to +125°C | 20 TQFN-EP* |
| MAX16062_TG+ | -40°C to +125°C | 24 TQFN-EP* |

Note: The “_” is a placeholder for the input voltage threshold. See Table 1. The MAX16060/MAX16061/MAX16062 are available in factory-preset thresholds/configuration combinations. Choose the desired combination and complete part number from Table 1.

+Denotes a lead-free package.

For tape-and-reel, add a “T” after the “+.” Tape-and-reel are offered in 2.5k increments.

*EP = Exposed pad.

Features

- ◆ Fixed Thresholds for 3.3V, 2.5V, and 1.8V Systems
- ◆ Adjustable Thresholds Monitor Low Voltages (Down to 0.4V)
- ◆ 1% Accurate over Temperature
- ◆ Open-Drain Outputs with Internal Pullups Reduce the Number of External Components
- ◆ Fixed 140ms (min) or Capacitor-Adjustable Reset Timeout
- ◆ Manual Reset, Margin Enable, and Tolerance Select Inputs
- ◆ Watchdog Timer
 - 1.6s (typ) Timeout Period
 - 54s Startup Delay After Reset
- ◆ Monitors Four (MAX16060), Six (MAX16061), or Eight (MAX16062) Voltages
- ◆ $\overline{\text{RESET}}$ Output Indicates All Voltages Present
- ◆ Independent Voltage Monitors
- ◆ Guaranteed to Remain Asserted Down to $V_{CC} = 1V$
- ◆ Small (4mm x 4mm) Thin QFN Package

Applications

Storage Equipment

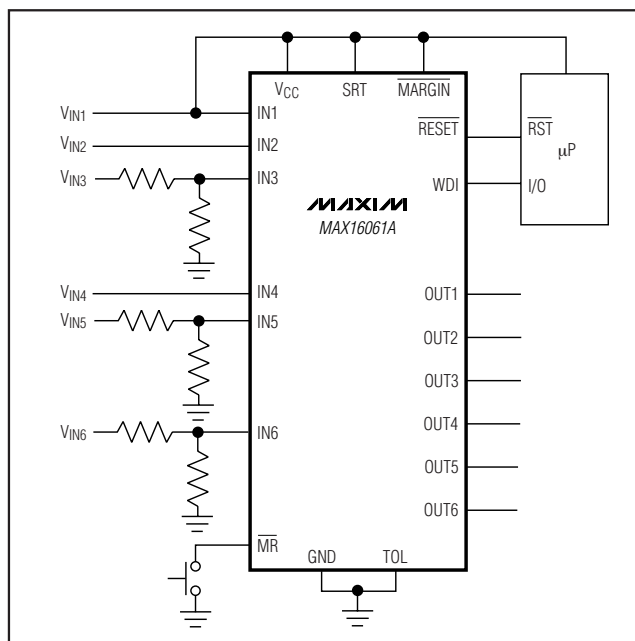
Multivoltage ASICs

Servers

Automotive

Networking/Telecommunication Equipment

Typical Operating Circuit



MAX16060/MAX16061/MAX16062

1% Accurate, Quad-/Hex-/Octal-Voltage μ P Supervisors

ABSOLUTE MAXIMUM RATINGS

V_{CC}, OUT₋, IN₋, RESET₋ to GND-0.3V to +6V
 TOL, MARGIN, MR, SRT, WDI to GND-0.3V to V_{CC} + 0.3
 Input/Output Current (RESET₋, MARGIN, SRT, MR, TOL, OUT₋, WDI).....±20mA
 Continuous Power Dissipation (T_A = +70°C)
 16-Pin TQFN (derate 16.9mW/°C above +70°C)1349mW
 20-Pin TQFN (derate 16.9mW/°C above +70°C)1355mW
 24-Pin TQFN (derate 16.9mW/°C above +70°C)1666mW

Operating Temperature Range-40°C to +125°C
 Junction Temperature+150°C
 Storage Temperature Range-65°C to +150°C
 Lead Temperature (soldering, 10s)+300°C

Stresses beyond those listed under "Absolute Maximum Ratings" may cause permanent damage to the device. These are stress ratings only, and functional operation of the device at these or any other conditions beyond those indicated in the operational sections of the specifications is not implied. Exposure to absolute maximum rating conditions for extended periods may affect device reliability.

ELECTRICAL CHARACTERISTICS

(V_{CC} = 2.0V to 5.5V, T_A = -40°C to +125°C, unless otherwise specified. Typical values are at V_{CC} = 3.3V, T_A = +25°C.) (Note 1)

| PARAMETER | SYMBOL | CONDITIONS | MIN | TYP | MAX | UNITS |
|--|-----------------------|--|-------|-------|-------|-------------------|
| Operating Voltage Range | V _{CC} | (Note 2) | 1.0 | | 5.5 | V |
| Supply Current (Note 3) | I _{CC} | V _{CC} = 3.3V, OUT ₋ , RESET ₋ not asserted | | 45 | 65 | μA |
| | | V _{CC} = 5V, OUT ₋ , RESET ₋ not asserted | | 50 | 70 | |
| UVLO (Undervoltage Lockout) | V _{UVLO} | V _{CC} rising | 1.62 | 1.80 | 1.98 | V |
| UVLO Hysteresis | V _{UVLO_HYS} | | | 65 | | mV |
| IN₋ (See Table 1) | | | | | | |
| Threshold Voltages (IN ₋ Falling) | V _{TH} | 3.3V threshold, TOL = GND | 3.069 | 3.102 | 3.135 | V |
| | | 3.3V threshold, TOL = V _{CC} | 2.904 | 2.937 | 2.970 | |
| | | 2.5V threshold, TOL = GND | 2.325 | 2.350 | 2.375 | |
| | | 2.5V threshold, TOL = V _{CC} | 2.200 | 2.225 | 2.250 | |
| | | 1.8V threshold, TOL = GND | 1.674 | 1.692 | 1.710 | |
| | | 1.8V threshold, TOL = V _{CC} | 1.584 | 1.602 | 1.620 | |
| Adjustable Threshold (IN ₋ Falling) | V _{TH} | TOL = GND | 0.390 | 0.394 | 0.398 | V |
| | | TOL = V _{CC} | 0.369 | 0.373 | 0.377 | |
| IN ₋ Hysteresis | V _{TH_HYS} | IN ₋ rising | | 0.5 | | % V _{TH} |
| IN ₋ Input Current | | Fixed thresholds | | 3 | 16 | μA |
| | | Adjustable thresholds | -100 | | +100 | nA |

1% Accurate, Quad-/Hex-/Octal-Voltage μP Supervisors

MAX16060/MAX16061/MAX16062

ELECTRICAL CHARACTERISTICS (continued)

(V_{CC} = 2.0V to 5.5V, T_A = -40°C to +125°C, unless otherwise specified. Typical values are at V_{CC} = 3.3V, T_A = +25°C.) (Note 1)

| PARAMETER | SYMBOL | CONDITIONS | MIN | TYP | MAX | UNITS |
|-------------------------------|------------------|---|-----------------------|-------|-------|-------|
| RESET | | | | | | |
| Reset Timeout | t _{RP} | SRT = V _{CC} | 140 | 200 | 280 | ms |
| | | C _{SRT} = 1500pF (Note 4) | 2.43 | 3.09 | 3.92 | |
| | | C _{SRT} = 100pF | 0.206 | | | |
| | | C _{SRT} = open | 50 | | | μs |
| SRT Ramp Current | I _{SRT} | V _{SRT} = 0V | 460 | 600 | 740 | nA |
| SRT Threshold | | | 1.173 | 1.235 | 1.293 | V |
| SRT Hysteresis | | | 100 | | | mV |
| IN_ to Reset Delay | t _{RD} | IN_ falling | 20 | | | μs |
| RESET Output-Voltage Low | V _{OL} | V _{CC} = 3.3V, I _{SINK} = 10mA, RESET asserted | 0.3 | | | V |
| | | V _{CC} = 2.5V, I _{SINK} = 6mA, RESET asserted | 0.3 | | | |
| | | V _{CC} = 1.2V, I _{SINK} = 50μA, RESET asserted | 0.3 | | | |
| RESET Output-Voltage High | V _{OH} | V _{CC} ≥ 2.0V, I _{SOURCE} = 6μA, RESET deasserted | 0.8 x V _{CC} | | | V |
| MR Input-Voltage Low | V _{IL} | | 0.3 x V _{CC} | | | V |
| MR Input-Voltage High | V _{IH} | | 0.7 x V _{CC} | | | V |
| MR Minimum Pulse Width | | | 1 | | | μs |
| MR Glitch Rejection | | | 100 | | | ns |
| MR to Reset Delay | | | 200 | | | ns |
| MR Pullup Resistance | | Pulled up to V _{CC} | 12 | 20 | 28 | kΩ |
| OUTPUTS (OUT_) | | | | | | |
| OUT_ Output-Voltage Low | V _{OL} | V _{CC} = 3.3V, I _{SINK} = 2mA | 0.3 | | | V |
| | | V _{CC} = 2.5V, I _{SINK} = 1.2mA | 0.3 | | | |
| OUT_ Output-Voltage High | V _{OH} | V _{CC} ≥ 2.0V, I _{SOURCE} = 6μA | 0.8 x V _{CC} | | | V |
| IN_ to OUT_ Propagation Delay | t _D | (V _{TH} + 100mV) to (V _{TH} - 100mV) | 20 | | | μs |

1% Accurate, Quad-/Hex-/Octal-Voltage μ P Supervisors

ELECTRICAL CHARACTERISTICS (continued)

($V_{CC} = 2.0V$ to $5.5V$, $T_A = -40^\circ C$ to $+125^\circ C$, unless otherwise specified. Typical values are at $V_{CC} = 3.3V$, $T_A = +25^\circ C$). (Note 1)

| PARAMETER | SYMBOL | CONDITIONS | MIN | TYP | MAX | UNITS |
|--|-----------|------------------------------------|---------------------|------|---------------------|-----------|
| WATCHDOG TIMER | | | | | | |
| WDI Input-Voltage Low | V_{IL} | | | | $0.3 \times V_{CC}$ | V |
| WDI Input-Voltage High | V_{IH} | | $0.7 \times V_{CC}$ | | | V |
| WDI Pulse Width | | (Note 5) | 50 | | | ns |
| Watchdog Timeout Period | t_{WDI} | | 1.12 | 1.60 | 2.40 | s |
| Watchdog Startup Period | | | 35 | 54 | 72 | s |
| Watchdog Input Current | | $V_{WDI} = 0$ to V_{CC} (Note 5) | -1 | | +1 | μA |
| DIGITAL LOGIC | | | | | | |
| TOL Input-Voltage Low | V_{IL} | | | | $0.3 \times V_{CC}$ | V |
| TOL Input-Voltage High | V_{IH} | | $0.7 \times V_{CC}$ | | | V |
| TOL Input Current | | TOL = V_{CC} | | | 100 | nA |
| \overline{MARGIN} Input-Voltage Low | V_{IL} | | | | $0.3 \times V_{CC}$ | V |
| \overline{MARGIN} Input-Voltage High | V_{IH} | | $0.7 \times V_{CC}$ | | | V |
| \overline{MARGIN} Pullup Resistance | | Pulled up to V_{CC} | 12 | 20 | 28 | $k\Omega$ |
| \overline{MARGIN} Delay Time | t_{MD} | Rising or falling (Note 6) | | 50 | | μs |

Note 1: Devices are tested at $T_A = +25^\circ C$ and guaranteed by design for $T_A = T_{MIN}$ to T_{MAX} .

Note 2: The outputs are guaranteed to remain asserted down to $V_{CC} = 1V$.

Note 3: Measured with WDI, \overline{MARGIN} , and \overline{MR} unconnected.

Note 4: The minimum and maximum specifications for this parameter are guaranteed by using the worst case of the SRT ramp current and SRT threshold specifications.

Note 5: Guaranteed by design and not production tested.

Note 6: Amount of time required for logic to lock/unlock outputs from margin testing.

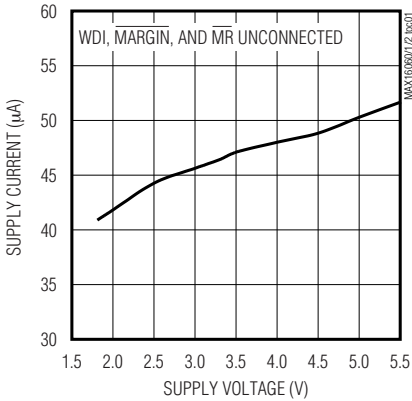
1% Accurate, Quad-/Hex-/Octal-Voltage μ P Supervisors

Typical Operating Characteristics

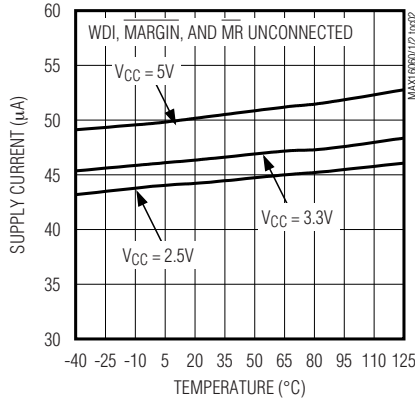
($V_{CC} = 3.3V$, $T_A = +25^\circ C$, unless otherwise noted.)

MAX16060/MAX16061/MAX16062

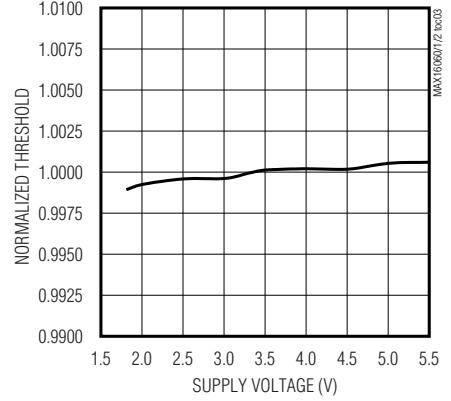
SUPPLY CURRENT vs. SUPPLY VOLTAGE



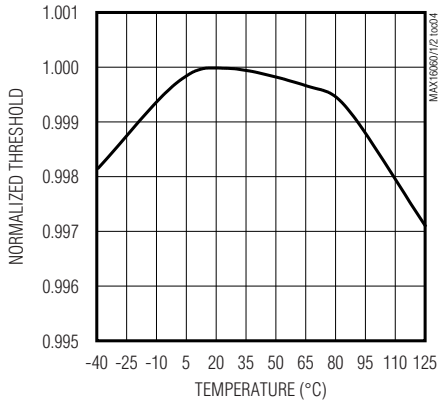
SUPPLY CURRENT vs. TEMPERATURE



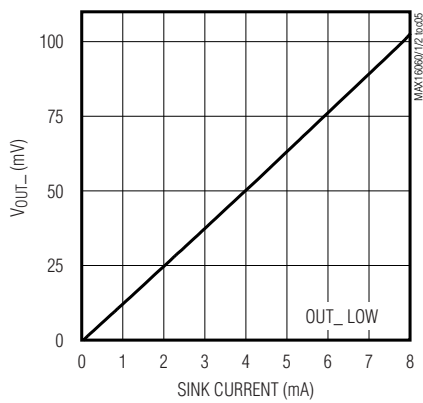
NORMALIZED THRESHOLD vs. SUPPLY VOLTAGE



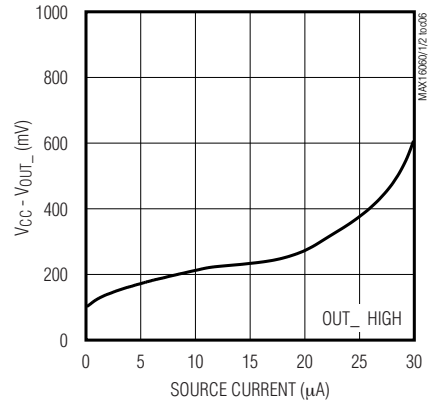
NORMALIZED THRESHOLD vs. TEMPERATURE



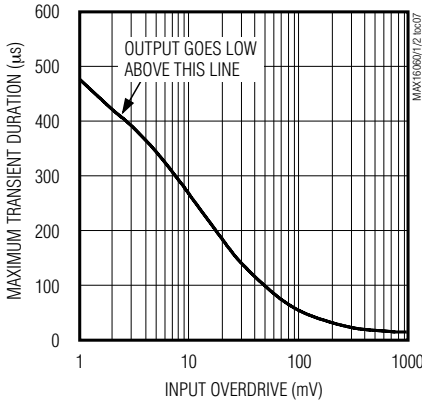
OUTPUT VOLTAGE vs. SINK CURRENT



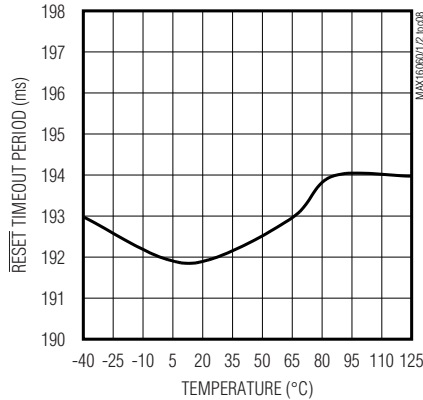
OUTPUT VOLTAGE vs. SOURCE CURRENT



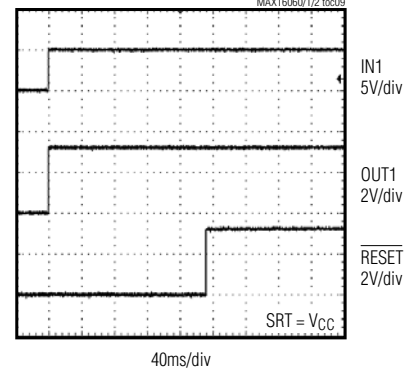
MAXIMUM TRANSIENT DURATION vs. INPUT OVERDRIVE



RESET TIMEOUT PERIOD vs. TEMPERATURE



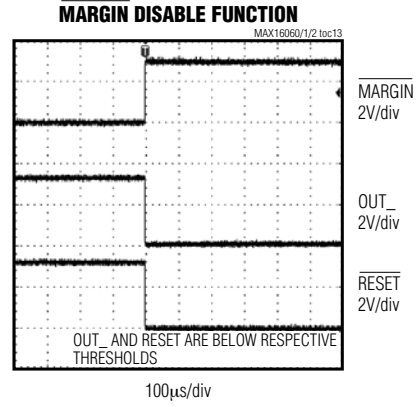
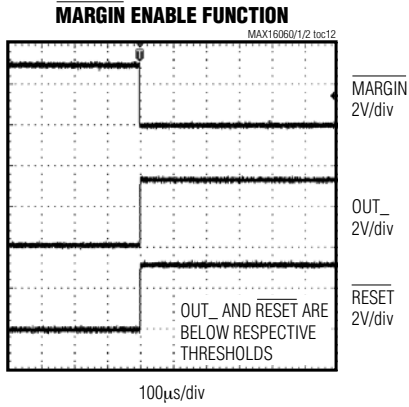
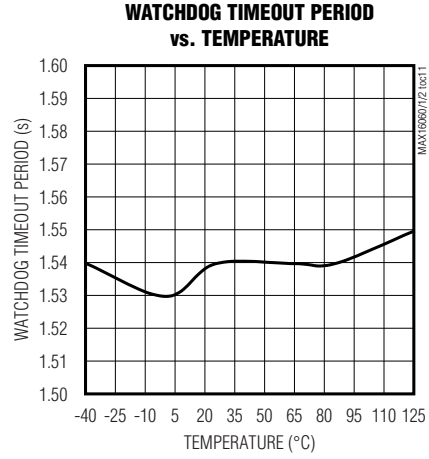
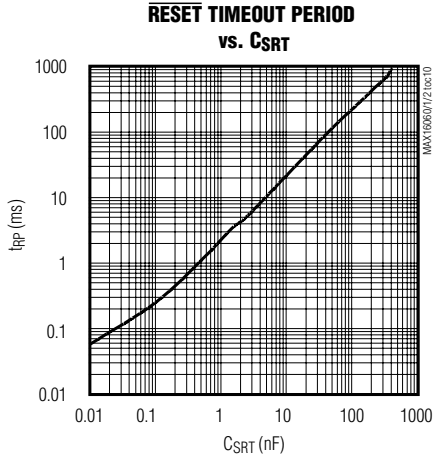
RESET TIMEOUT DELAY



1% Accurate, Quad-/Hex-/Octal-Voltage μ P Supervisors

Typical Operating Characteristics (continued)

($V_{CC} = 3.3V$, $T_A = +25^\circ C$, unless otherwise noted.)



1% Accurate, Quad-/Hex-/Octal-Voltage μP Supervisors

Pin Description (MAX16060)

MAX16060/MAX16061/MAX16062

| PIN | NAME | FUNCTION |
|-----|----------------------------|---|
| 1 | IN3 | Monitored Input Voltage 3. See Table 1 for the input voltage threshold. |
| 2 | IN4 | Monitored Input Voltage 4. See Table 1 for the input voltage threshold. |
| 3 | WDI | Watchdog Timer Input. If WDI remains low or high for longer than the watchdog timeout period, $\overline{\text{RESET}}$ is asserted. The timer clears whenever a reset is asserted or a rising or falling edge on WDI is detected. The watchdog timer enters a startup period that allows 54s for the first transition to occur before a reset. Leave WDI unconnected to disable the watchdog timer. The WDI unconnected-state detector uses a small 400nA current. Therefore, do not connect WDI to anything that will source or sink more than 200nA. Note that the leakage current specification for most three-state drivers exceeds 200nA. |
| 4 | GND | Ground |
| 5 | VCC | Unmonitored Power-Supply Input |
| 6 | OUT3 | Output 3. When the voltage at IN3 falls below its threshold, OUT3 goes low and stays low until the voltage at IN3 exceeds its threshold. The open-drain output has a 30μA internal pullup to VCC. |
| 7 | OUT4 | Output 4. When the voltage at IN4 falls below its threshold, OUT4 goes low and stays low until the voltage at IN4 exceeds its threshold. The open-drain output has a 30μA internal pullup to VCC. |
| 8 | $\overline{\text{MR}}$ | Active-Low Manual Reset Input. Pull $\overline{\text{MR}}$ low to assert $\overline{\text{RESET}}$ low. $\overline{\text{RESET}}$ remains low for the reset timeout period after $\overline{\text{MR}}$ is deasserted. $\overline{\text{MR}}$ is pulled up to VCC through a 20kΩ resistor. |
| 9 | SRT | Set Reset Timeout Input. Connect a capacitor from SRT to GND to set the reset timeout period. The reset timeout period can be calculated as follows: Reset Timeout (s) = $2.06 \times 10^6 (\Omega) \times \text{CSRT (F)}$. For the internal timeout period of 140ms (min), connect SRT to VCC. |
| 10 | $\overline{\text{MARGIN}}$ | Active-Low Manual Deassert Input. Pull $\overline{\text{MARGIN}}$ low to deassert all outputs (go into high state), regardless of the voltage at any monitored input. |
| 11 | OUT2 | Output 2. When the voltage at IN2 falls below its threshold, OUT2 goes low and stays low until the voltage at IN2 exceeds its threshold. The open-drain output has a 30μA internal pullup to VCC. |
| 12 | OUT1 | Output 1. When the voltage at IN1 falls below its threshold, OUT1 goes low and stays low until the voltage at IN1 exceeds its threshold. The open-drain output has a 30μA internal pullup to VCC. |
| 13 | $\overline{\text{RESET}}$ | Active-Low Reset Output. $\overline{\text{RESET}}$ asserts low when any of the monitored voltages falls below its respective threshold or $\overline{\text{MR}}$ is asserted. $\overline{\text{RESET}}$ remains asserted for the reset timeout period after all monitored voltages exceed their respective thresholds and $\overline{\text{MR}}$ is deasserted. This open-drain output has a 30μA internal pullup. |
| 14 | IN1 | Monitored Input Voltage 1. See Table 1 for the input voltage threshold. |
| 15 | IN2 | Monitored Input Voltage 2. See Table 1 for the input voltage threshold. |
| 16 | TOL | Threshold Tolerance Input. Connect TOL to GND to select 5% threshold tolerance. Connect TOL to VCC to select 10% threshold tolerance. |
| — | EP | Exposed Pad. EP is internally connected to GND. Connect EP to the ground plane to provide a low thermal resistance path from the IC junction to the PCB. Do not use as the electrical connection to GND. |

1% Accurate, Quad-/Hex-/Octal-Voltage μ P Supervisors

Pin Description (MAX16061)

| PIN | NAME | FUNCTION |
|-----|----------------------------|--|
| 1 | IN4 | Monitored Input Voltage 4. See Table 1 for the input voltage threshold. |
| 2 | IN5 | Monitored Input Voltage 5. See Table 1 for the input voltage threshold. |
| 3 | IN6 | Monitored Input Voltage 6. See Table 1 for the input voltage threshold. |
| 4 | WDI | Watchdog Timer Input. If WDI remains low or high for longer than the watchdog timeout period, $\overline{\text{RESET}}$ is asserted and the timer is cleared. The timer also clears whenever a reset is asserted or a rising or falling edge on WDI is detected. The watchdog timer enters a startup period that allows 54s for the first transition to occur before a reset. Leave WDI unconnected to disable the watchdog timer. The WDI unconnected-state detector uses a small 400nA current. Therefore, do not connect WDI to anything that will source or sink more than 200nA. Note that the leakage current specification for most three-state drivers exceeds 200nA. |
| 5 | GND | Ground |
| 6 | VCC | Unmonitored Power-Supply Input |
| 7 | OUT4 | Output 4. When the voltage at IN4 falls below its threshold, OUT4 goes low and stays low until the voltage at IN4 exceeds its threshold. The open-drain output has a 30 μ A internal pullup to VCC. |
| 8 | OUT5 | Output 5. When the voltage at IN5 falls below its threshold, OUT5 goes low and stays low until the voltage at IN5 exceeds its threshold. The open-drain output has a 30 μ A internal pullup to VCC. |
| 9 | OUT6 | Output 6. When the voltage at IN6 falls below its threshold, OUT6 goes low and stays low until the voltage at IN6 exceeds its threshold. The open-drain output has a 30 μ A internal pullup to VCC. |
| 10 | $\overline{\text{MR}}$ | Active-Low Manual Reset Input. Pull $\overline{\text{MR}}$ low to assert $\overline{\text{RESET}}$ low. $\overline{\text{RESET}}$ remains low for the reset timeout period after $\overline{\text{MR}}$ is deasserted. $\overline{\text{MR}}$ is pulled up to VCC through a 20k Ω resistor. |
| 11 | SRT | Set Reset Timeout Input. Connect a capacitor from SRT to GND to set the reset timeout period. The reset timeout period can be calculated as follows: Reset Timeout (s) = 2.06 x 10 ⁶ (Ω) x CSRT (F). For the internal timeout period of 140ms (min), connect SRT to VCC. |
| 12 | $\overline{\text{MARGIN}}$ | Manual Deassert Input. Pull $\overline{\text{MARGIN}}$ low to deassert all outputs (go into high state), regardless of the voltage at any monitored input. |
| 13 | OUT3 | Output 3. When the voltage at IN3 falls below its threshold, OUT3 goes low and stays low until the voltage at IN3 exceeds its threshold. The open-drain output has a 30 μ A internal pullup to VCC. |
| 14 | OUT2 | Output 2. When the voltage at IN2 falls below its threshold, OUT2 goes low and stays low until the voltage at IN2 exceeds its threshold. The open-drain output has a 30 μ A internal pullup to VCC. |
| 15 | OUT1 | Output 1. When the voltage at IN1 falls below its threshold, OUT1 goes low and stays low until the voltage at IN1 exceeds its threshold. The open-drain output has a 30 μ A internal pullup to VCC. |
| 16 | $\overline{\text{RESET}}$ | Active-Low Reset Output. $\overline{\text{RESET}}$ asserts low when any of the monitored voltages falls below its respective threshold or $\overline{\text{MR}}$ is asserted. $\overline{\text{RESET}}$ remains asserted for the reset timeout period after all monitored voltages exceed their respective thresholds and $\overline{\text{MR}}$ is deasserted. This open-drain output has a 30 μ A internal pullup. |
| 17 | IN1 | Monitored Input Voltage 1. See Table 1 for the input voltage threshold. |
| 18 | IN2 | Monitored Input Voltage 2. See Table 1 for the input voltage threshold. |
| 19 | IN3 | Monitored Input Voltage 3. See Table 1 for the input voltage threshold. |
| 20 | TOL | Threshold Tolerance Input. Connect TOL to GND to select 5% threshold tolerance. Connect TOL to VCC to select 10% threshold tolerance. |
| — | EP | Exposed Pad. EP is internally connected to GND. Connect EP to the ground plane to provide a low thermal resistance path from the IC junction to the PCB. Do not use as the electrical connection to GND. |

1% Accurate, Quad-/Hex-/Octal-Voltage μP Supervisors

Pin Description (MAX16062)

MAX16060/MAX16061/MAX16062

| PIN | NAME | FUNCTION |
|-----|----------------------------|---|
| 1 | IN5 | Monitored Input Voltage 5. See Table 1 for the input voltage threshold. |
| 2 | IN6 | Monitored Input Voltage 6. See Table 1 for the input voltage threshold. |
| 3 | IN7 | Monitored Input Voltage 7. See Table 1 for the input voltage threshold. |
| 4 | IN8 | Monitored Input Voltage 8. See Table 1 for the input voltage threshold. |
| 5 | WDI | Watchdog Timer Input. If WDI remains low or high for longer than the watchdog timeout period, $\overline{\text{RESET}}$ is asserted and the timer is cleared. The timer also clears whenever a reset is asserted or a rising or falling edge on WDI is detected. The watchdog timer enters a startup period that allows 54s for the first transition to occur before a reset. Leave WDI unconnected to disable the watchdog timer. The WDI unconnected state detector uses a small 400nA current. Therefore, do not connect WDI to anything that will source or sink more than 200nA. Note that the leakage current specification for most three-state drivers exceeds 200nA. |
| 6 | GND | Ground |
| 7 | VCC | Unmonitored Power-Supply Input |
| 8 | OUT5 | Output 5. When the voltage at IN5 falls below its threshold, OUT5 goes low and stays low until the voltage at IN5 exceeds its threshold. The open-drain output has a 30μA internal pullup to VCC. |
| 9 | OUT6 | Output 6. When the voltage at IN6 falls below its threshold, OUT6 goes low and stays low until the voltage at IN6 exceeds its threshold. The open-drain output has a 30μA internal pullup to VCC. |
| 10 | OUT7 | Output 7. When the voltage at IN7 falls below its threshold, OUT7 goes low and stays low until the voltage at IN7 exceeds its threshold. The open-drain output has a 30μA internal pullup to VCC. |
| 11 | OUT8 | Output 8. When the voltage at IN8 falls below its threshold, OUT8 goes low and stays low until the voltage at IN8 exceeds its threshold. The open-drain output has a 30μA internal pullup to VCC. |
| 12 | $\overline{\text{MR}}$ | Active-Low Manual Reset Input. Pull $\overline{\text{MR}}$ low to assert $\overline{\text{RESET}}$ low. $\overline{\text{RESET}}$ remains low for the reset timeout period after $\overline{\text{MR}}$ is deasserted. $\overline{\text{MR}}$ is pulled up to VCC through a 20kΩ resistor. |
| 13 | SRT | Set Reset Timeout Input. Connect a capacitor from SRT to GND to set the reset timeout period. The reset timeout period can be calculated as follows: Reset Timeout (s) = $2.06 \times 10^6 (\Omega) \times C_{\text{SRT}} (\text{F})$. For the internal timeout period of 140ms (min), connect SRT to VCC. |
| 14 | $\overline{\text{MARGIN}}$ | Margin Disable Input. Pull $\overline{\text{MARGIN}}$ low to deassert all outputs (go into high state), regardless of the voltage at any monitored input. |
| 15 | OUT4 | Output 4. When the voltage at IN4 falls below its threshold, OUT4 goes low and stays low until the voltage at IN4 exceeds its threshold. The open-drain output has a 30μA internal pullup to VCC. |
| 16 | OUT3 | Output 3. When the voltage at IN3 falls below its threshold, OUT3 goes low and stays low until the voltage at IN3 exceeds its threshold. The open-drain output has a 30μA internal pullup to VCC. |
| 17 | OUT2 | Output 2. When the voltage at IN2 falls below its threshold, OUT2 goes low and stays low until the voltage at IN2 exceeds its threshold. The open-drain output has a 30μA internal pullup to VCC. |
| 18 | OUT1 | Output 1. When the voltage at IN1 falls below its threshold, OUT1 goes low and stays low until the voltage at IN1 exceeds its threshold. The open-drain output has a 30μA internal pullup to VCC. |
| 19 | $\overline{\text{RESET}}$ | Active-Low Reset Output. $\overline{\text{RESET}}$ asserts low when any of the monitored voltages falls below its respective threshold or $\overline{\text{MR}}$ is asserted. $\overline{\text{RESET}}$ remains asserted for the reset timeout period after all monitored voltages exceed their respective thresholds and $\overline{\text{MR}}$ is deasserted. This open-drain output has a 30μA internal pullup. |
| 20 | IN1 | Monitored Input Voltage 1. See Table 1 for the input voltage threshold. |
| 21 | IN2 | Monitored Input Voltage 2. See Table 1 for the input voltage threshold. |
| 22 | IN3 | Monitored Input Voltage 3. See Table 1 for the input voltage threshold. |
| 23 | IN4 | Monitored Input Voltage 4. See Table 1 for the input voltage threshold. |
| 24 | TOL | Threshold Tolerance Input. Connect TOL to GND to select 5% threshold tolerance. Connect TOL to VCC to select 10% threshold tolerance. |
| — | EP | Exposed Pad. EP is internally connected to GND. Connect EP to the ground plane to provide a low thermal resistance path from the IC junction to the PCB. Do not use as the electrical connection to GND. |

1% Accurate, Quad-/Hex-/Octal-Voltage μP Supervisors

Table 1. Input-Voltage-Threshold Selector

| PART | IN1 | IN2 | IN3 | IN4 | IN5 | IN6 | IN7 | IN8 |
|-----------|-----|-----|-----|-----|-----|-----|-----|-----|
| MAX16060A | 3.3 | 2.5 | ADJ | 1.8 | — | — | — | — |
| MAX16060B | 3.3 | ADJ | ADJ | 1.8 | — | — | — | — |
| MAX16060C | ADJ | 2.5 | ADJ | 1.8 | — | — | — | — |
| MAX16060D | 3.3 | 2.5 | ADJ | ADJ | — | — | — | — |
| MAX16060E | ADJ | ADJ | ADJ | ADJ | — | — | — | — |
| MAX16061A | 3.3 | 2.5 | ADJ | 1.8 | ADJ | ADJ | — | — |
| MAX16061B | 3.3 | ADJ | ADJ | 1.8 | ADJ | ADJ | — | — |
| MAX16061C | 3.3 | 2.5 | ADJ | ADJ | ADJ | ADJ | — | — |
| MAX16061D | ADJ | 2.5 | ADJ | 1.8 | ADJ | ADJ | — | — |
| MAX16061E | ADJ | ADJ | ADJ | ADJ | ADJ | ADJ | — | — |
| MAX16062A | 3.3 | 2.5 | ADJ | 1.8 | ADJ | ADJ | ADJ | ADJ |
| MAX16062B | 3.3 | ADJ | ADJ | 1.8 | ADJ | ADJ | ADJ | ADJ |
| MAX16062C | 3.3 | 2.5 | ADJ | ADJ | ADJ | ADJ | ADJ | ADJ |
| MAX16062D | ADJ | 2.5 | ADJ | 1.8 | ADJ | ADJ | ADJ | ADJ |
| MAX16062E | ADJ | ADJ | ADJ | ADJ | ADJ | ADJ | ADJ | ADJ |

Note: Other fixed thresholds may be available. Contact factory for availability.

1% Accurate, Quad-/Hex-/Octal-Voltage μ P Supervisors

Functional Diagrams

MAX16060/MAX16061/MAX16062

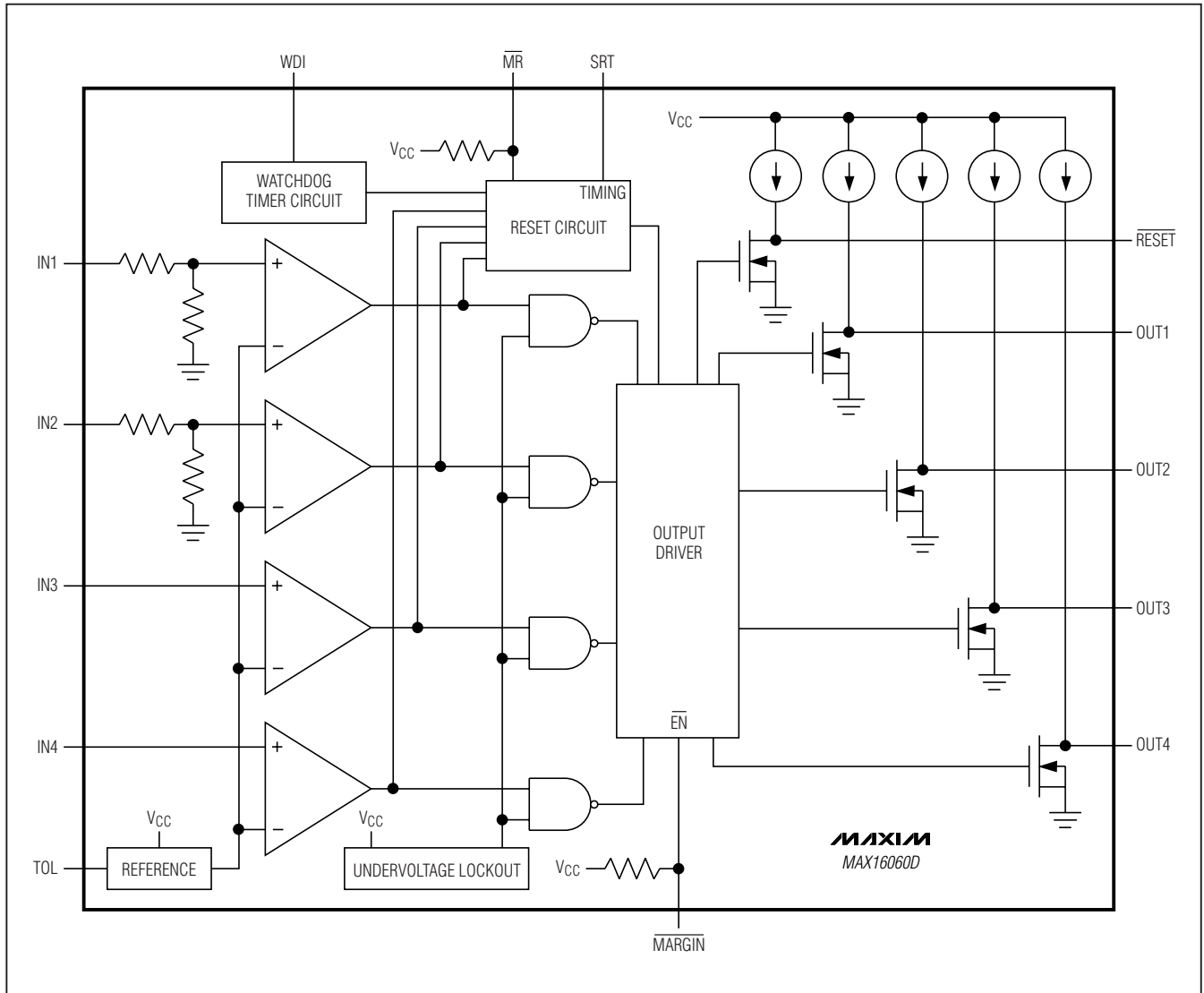


Figure 1. MAX16060D Functional Diagram

1% Accurate, Quad-/Hex-/Octal-Voltage μ P Supervisors

Functional Diagrams (continued)

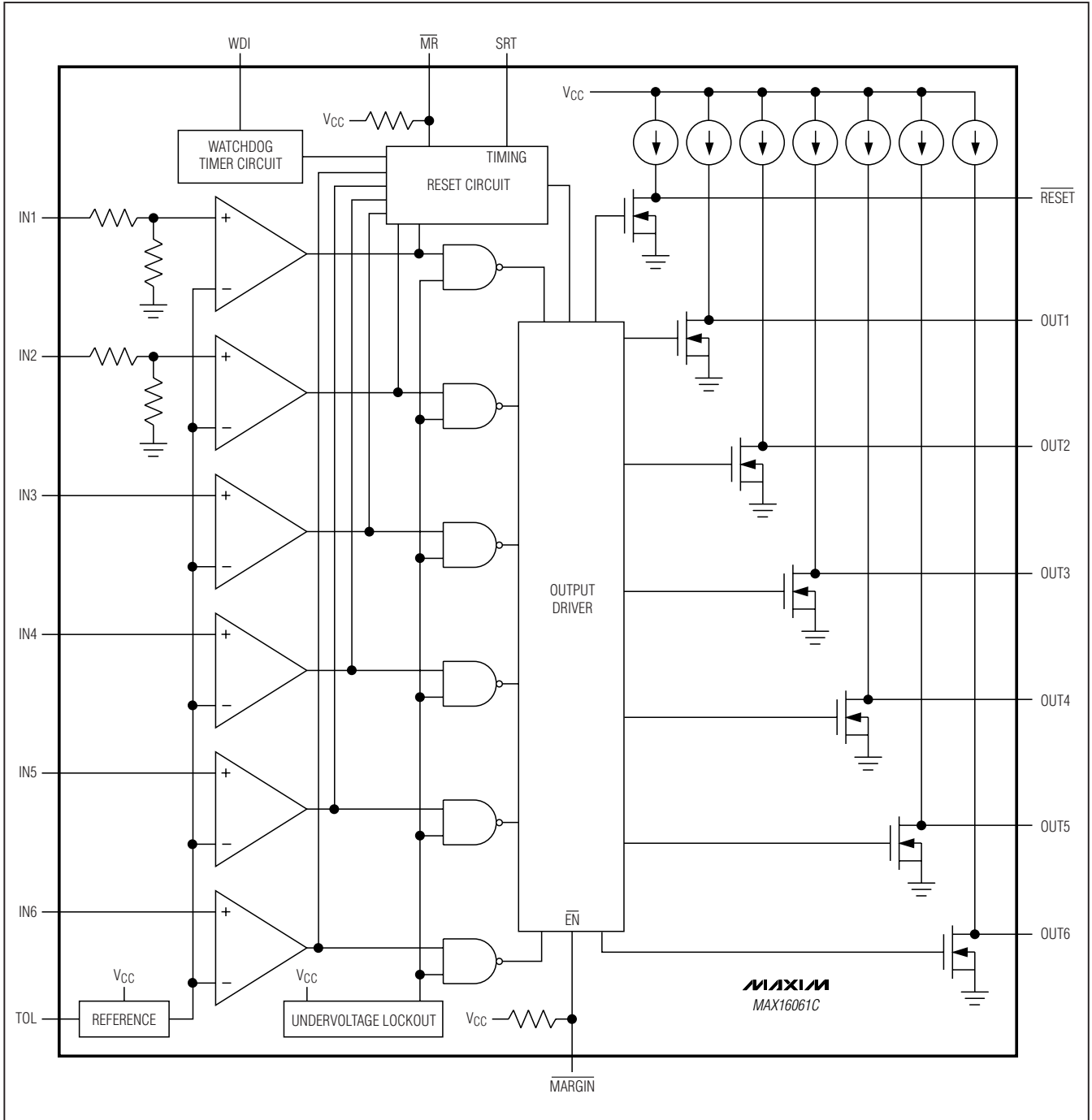


Figure 2. MAX16061C Functional Diagram

1% Accurate, Quad-/Hex-/Octal-Voltage μ P Supervisors

Functional Diagrams (continued)

MAX16060/MAX16061/MAX16062

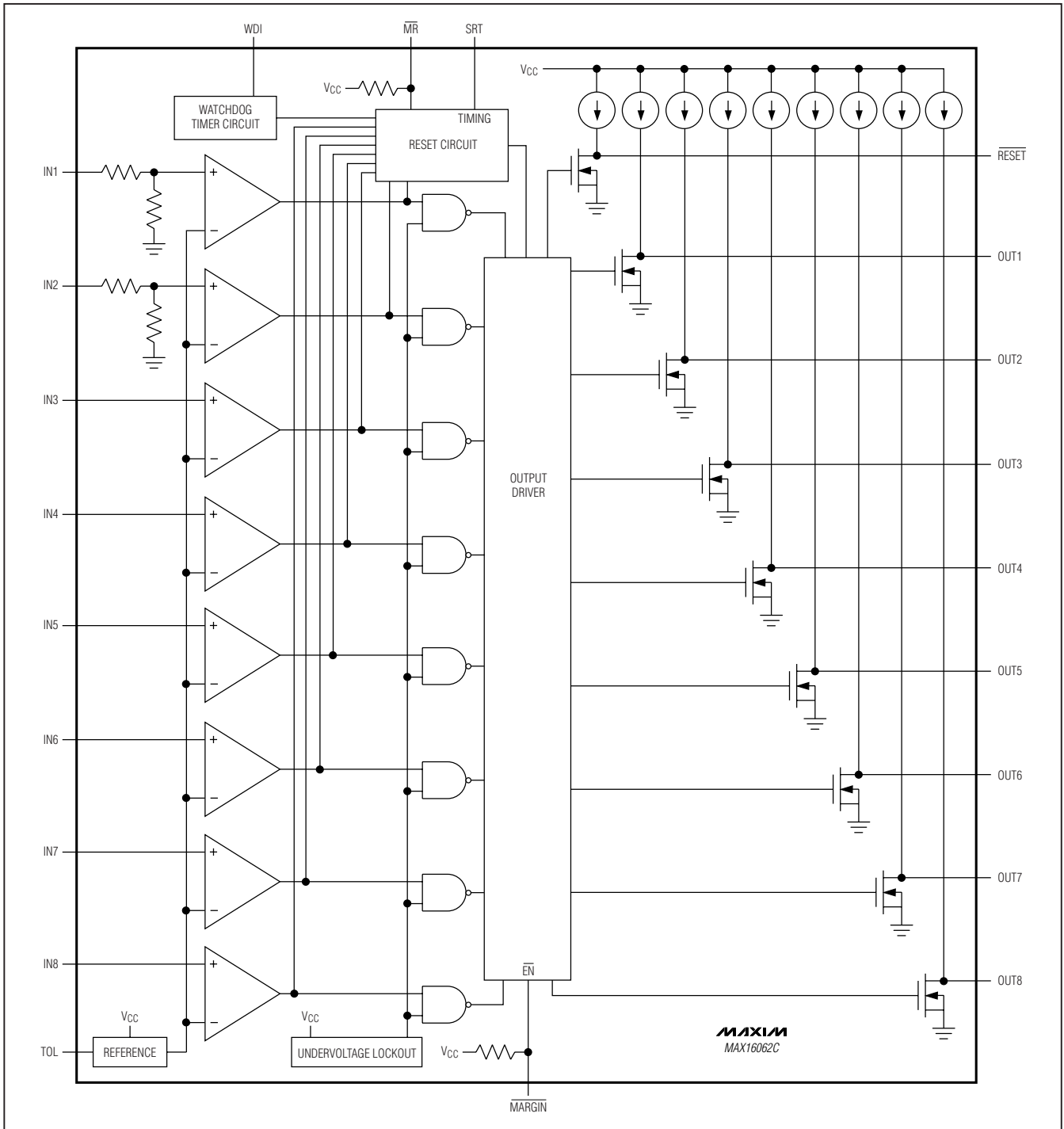


Figure 3. MAX16062C Functional Diagram

1% Accurate, Quad-/Hex-/Octal-Voltage μ P Supervisors

Detailed Description

The MAX16060/MAX16061/MAX16062 are 1% accurate low-voltage, quad-/hex-/octal-voltage μ P supervisors in a small thin QFN package. These devices provide supervisory functions for complex multivoltage systems. The MAX16060 monitors four voltages; the MAX16061 monitors six voltages; and the MAX16062 monitors eight voltages.

These supervisors offer independent outputs for each monitored voltage along with a reset output that asserts whenever any of the monitored voltages fall below their respective thresholds or the manual reset input is asserted. The reset output remains asserted for the reset timeout after all voltages are above their respective thresholds and the manual reset input is deasserted. The minimum reset timeout is internally set to 140ms or can be adjusted with an external capacitor.

All open-drain outputs have internal 30 μ A pullups that eliminate the need for external pullup resistors. However, each output can be driven with an external voltage up to 5.5V. Other features offered include a manual reset input, a tolerance pin for selecting 5% or 10% input thresholds, and a margin enable function for deasserting the outputs during margin testing.

An additional feature is a watchdog timer that asserts $\overline{\text{RESET}}$ when the watchdog timeout period (1.6s typ) is exceeded. The watchdog timer can be disabled by leaving WDI unconnected.

Applications Information

Undervoltage-Detection Circuit

The open-drain outputs of the MAX16060/MAX16061/MAX16062 can be configured to detect an undervoltage condition. Figure 4 shows a configuration where an LED turns on when the comparator output is low, indicating an undervoltage condition. These devices can also be used in applications such as system supervisory monitoring, multivoltage level detection, and VCC bar-graph monitoring (Figure 5).

Tolerance (TOL)

The MAX16060/MAX16061/MAX16062 feature a pin-selectable threshold tolerance. Connect TOL to GND to select 5% threshold tolerance. Connect TOL to VCC to select 10% threshold tolerance.

Window Detection

A window detector circuit uses two inputs in the configuration shown in Figure 6. External resistors set the two threshold voltages of the window detector circuit. External logic gates create the OUT signal. The window detection width is the difference between the threshold voltages (Figure 7).

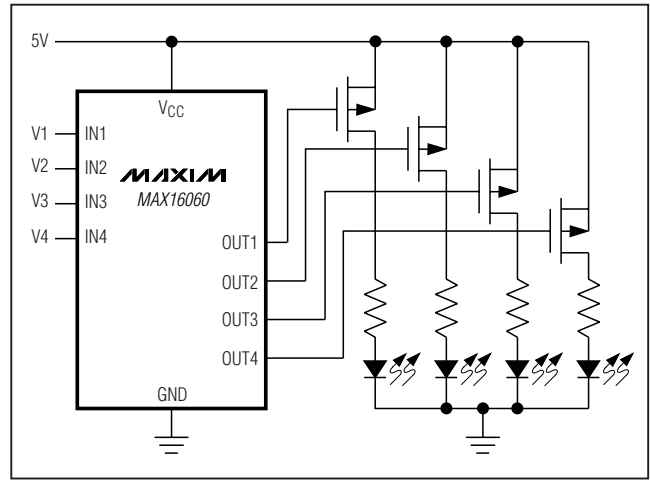


Figure 4. Quad Undervoltage Detector with LED Indicators

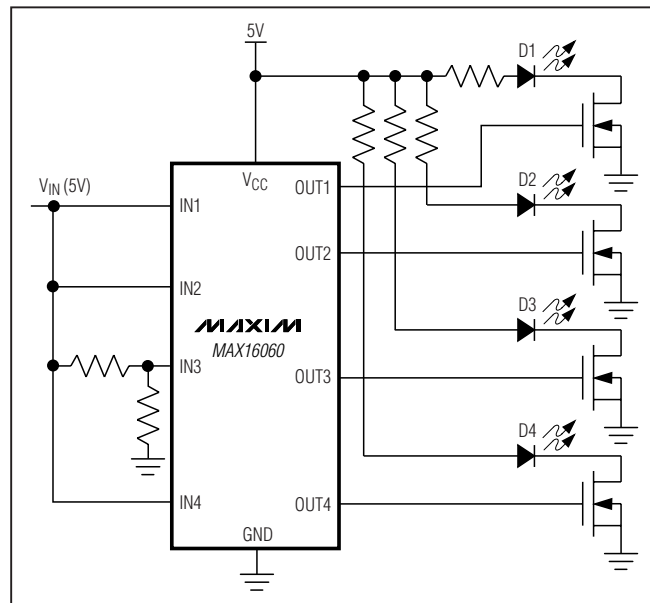


Figure 5. VCC Bar-Graph Monitoring

1% Accurate, Quad-/Hex-/Octal-Voltage μ P Supervisors

MAX16060/MAX16061/MAX16062

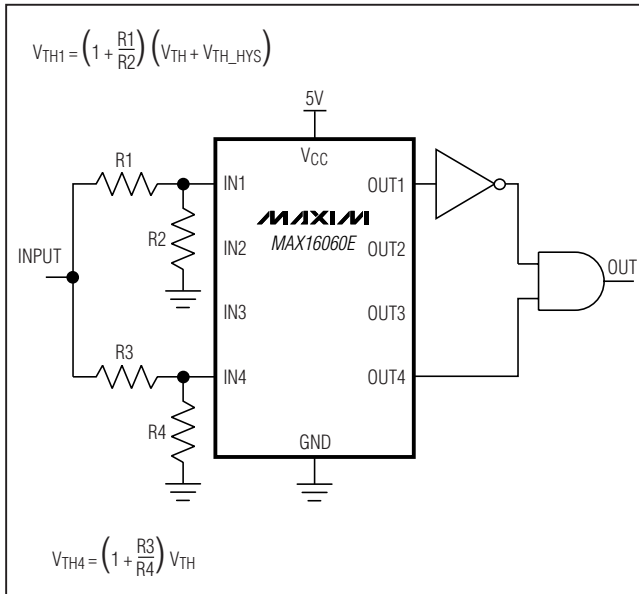


Figure 6. Window Detection

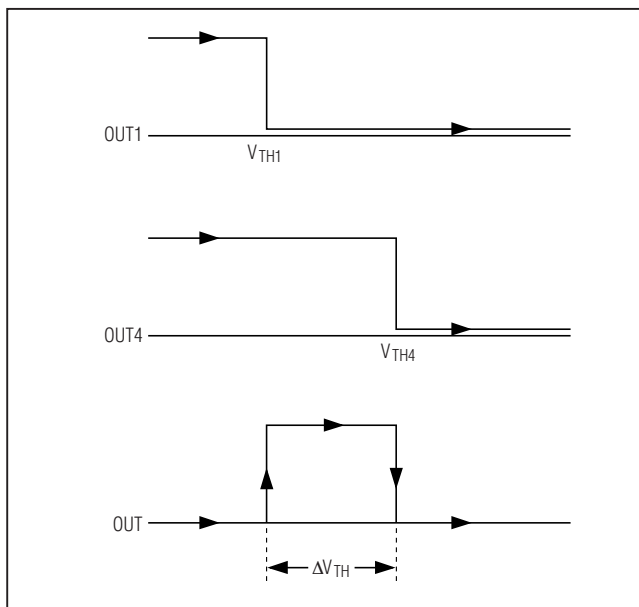


Figure 7. Output Response of Window Detector Circuit

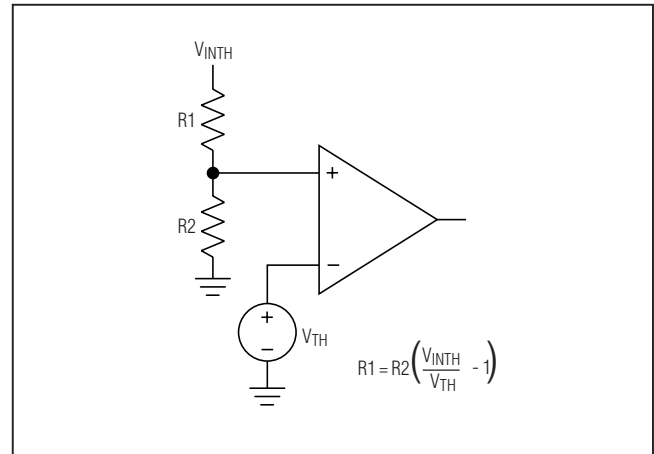


Figure 8. Setting the Adjustable Input

Adjustable Input

These devices offer several monitor options with adjustable input thresholds (see Table 1). The threshold voltage at each adjustable IN_ input is typically 0.394V (TOL = GND) or 0.373V (TOL = V_{CC}). To monitor a voltage V_{INTH}, connect a resistive-divider network to the circuit as shown in Figure 8.

$$V_{INTH} = V_{TH} \left(\frac{R1}{R2} + 1 \right)$$

$$R1 = R2 \left(\frac{V_{INTH}}{V_{TH}} - 1 \right)$$

Large resistors can be used to minimize current through the external resistors. For greater accuracy, use lower-value resistors.

Unused Inputs

Connect any unused IN_ inputs to a voltage above its threshold.

OUT_ Outputs

The OUT_ outputs go low when their respective IN_ inputs drop below their specified thresholds. The output is open drain with a 30 μ A internal pullup to V_{CC}. For many applications, no external pullup resistor is required to interface with other logic devices. An external pullup resistor to any voltage from 0 to 5.5V overrides the internal pullup if interfacing to different logic supply voltages. Internal circuitry prevents reverse current flow from the external pullup voltage to V_{CC} (Figure 9).

1% Accurate, Quad-/Hex-/Octal-Voltage μ P Supervisors

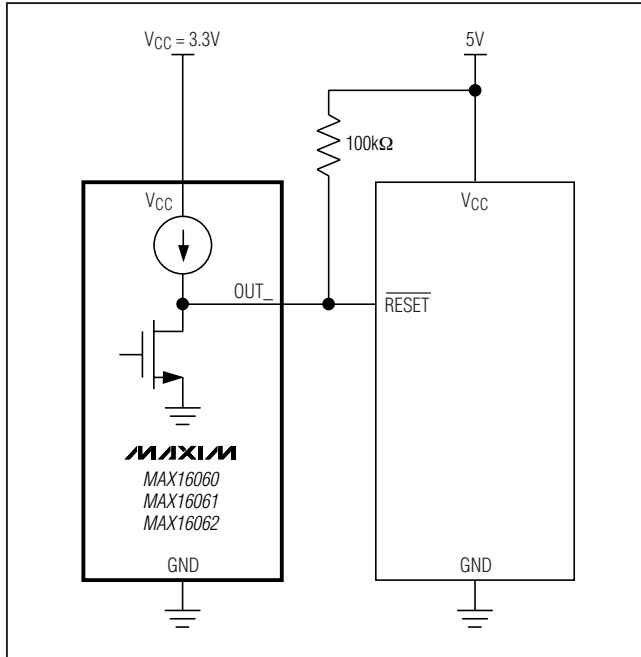


Figure 9. Interfacing to a Different Logic Supply Voltage

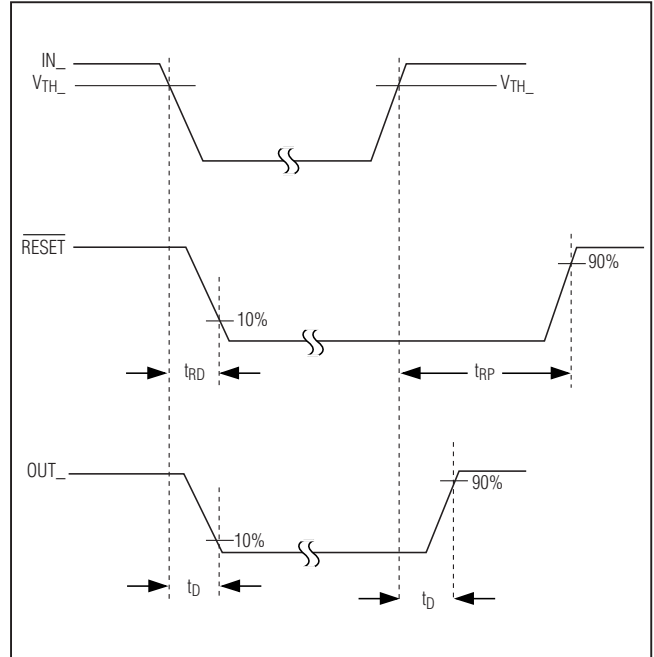


Figure 10. Output Timing Diagram

RESET Output

RESET asserts low when any of the monitored voltages fall below their respective thresholds or MR is asserted. RESET remains asserted for the reset timeout period after all monitored voltages exceed their respective thresholds and MR is deasserted (see Figure 10). This open-drain output has a 30 μ A internal pullup. An external pullup resistor to any voltage from 0 to 5.5V overrides the internal pullup if interfacing to different logic supply voltages. Internal circuitry prevents reverse current flow from the external pullup voltage to VCC (Figure 9).

Reset Timeout Capacitor

The reset timeout period can be adjusted to accommodate a variety of μ P applications. Adjust the reset timeout period (t_{RP}) by connecting a capacitor (C_{SRT}) between SRT and GND. Calculate the reset timeout capacitor as follows:

$$C_{SRT}(F) = \frac{t_{RP}(s) \times I_{SRT}}{V_{TH_SRT}}$$

Connect SRT to VCC for a factory-programmed reset timeout of 140ms (min).

Manual Reset Input (MR)

Many μ P-based products require manual reset capability, allowing the operator, a test technician, or external logic circuitry to initiate a reset. A logic-low on MR asserts RESET low. RESET remains asserted while MR is low, and during the reset timeout period (140ms min) after MR returns high. The MR input has an internal 20k Ω pullup resistor to VCC, so it can be left unconnected if not used. MR can be driven with TTL or CMOS-logic levels, or with open-drain/collector outputs. Connect a normally open momentary switch from MR to GND to create a manual reset function. External debounce circuitry is not required. If MR is driven from long cables or if the device is used in a noisy environment, connecting a 0.1 μ F capacitor from MR to GND provides additional noise immunity.

1% Accurate, Quad-/Hex-/Octal-Voltage μP Supervisors

Margin Output Disable ($\overline{\text{MARGIN}}$)

$\overline{\text{MARGIN}}$ allows system-level testing while power supplies are adjusted from their nominal voltages. Drive $\overline{\text{MARGIN}}$ low to force $\overline{\text{RESET}}$ and OUT_n high, regardless of the voltage at any monitored input. The state of each output does not change while $\overline{\text{MARGIN}} = \text{GND}$. The watchdog timer continues to run when $\overline{\text{MARGIN}}$ is low, and if a timeout occurs, $\overline{\text{RESET}}$ will assert t_{MD} after $\overline{\text{MARGIN}}$ is deasserted.

The $\overline{\text{MARGIN}}$ input is internally pulled up to V_{CC} . Leave $\overline{\text{MARGIN}}$ unconnected or connect to V_{CC} if unused.

Undervoltage Lockout (UVLO)

The MAX16060/MAX16061/MAX16062 feature a V_{CC} undervoltage lockout (UVLO) that preserves a reset status even if V_{CC} falls as low as 1V. The undervoltage lockout circuitry monitors the voltage at V_{CC} . If V_{CC} falls below the UVLO falling threshold (typically

1.735V), $\overline{\text{RESET}}$ is asserted and all OUT_n are asserted low. This eliminates an incorrect $\overline{\text{RESET}}$ or OUT_n output state as V_{CC} drops below the normal V_{CC} operational voltage range of 1.98V to 5.5V.

During power-up as V_{CC} rises above 1V, $\overline{\text{RESET}}$ is asserted and all OUT_n are asserted low until V_{CC} exceeds the UVLO threshold. As V_{CC} exceeds the UVLO threshold, all inputs are monitored and the correct output state appears at all the outputs. This also ensures that $\overline{\text{RESET}}$ and all OUT_n are in the correct state once V_{CC} reaches the normal V_{CC} operational range.

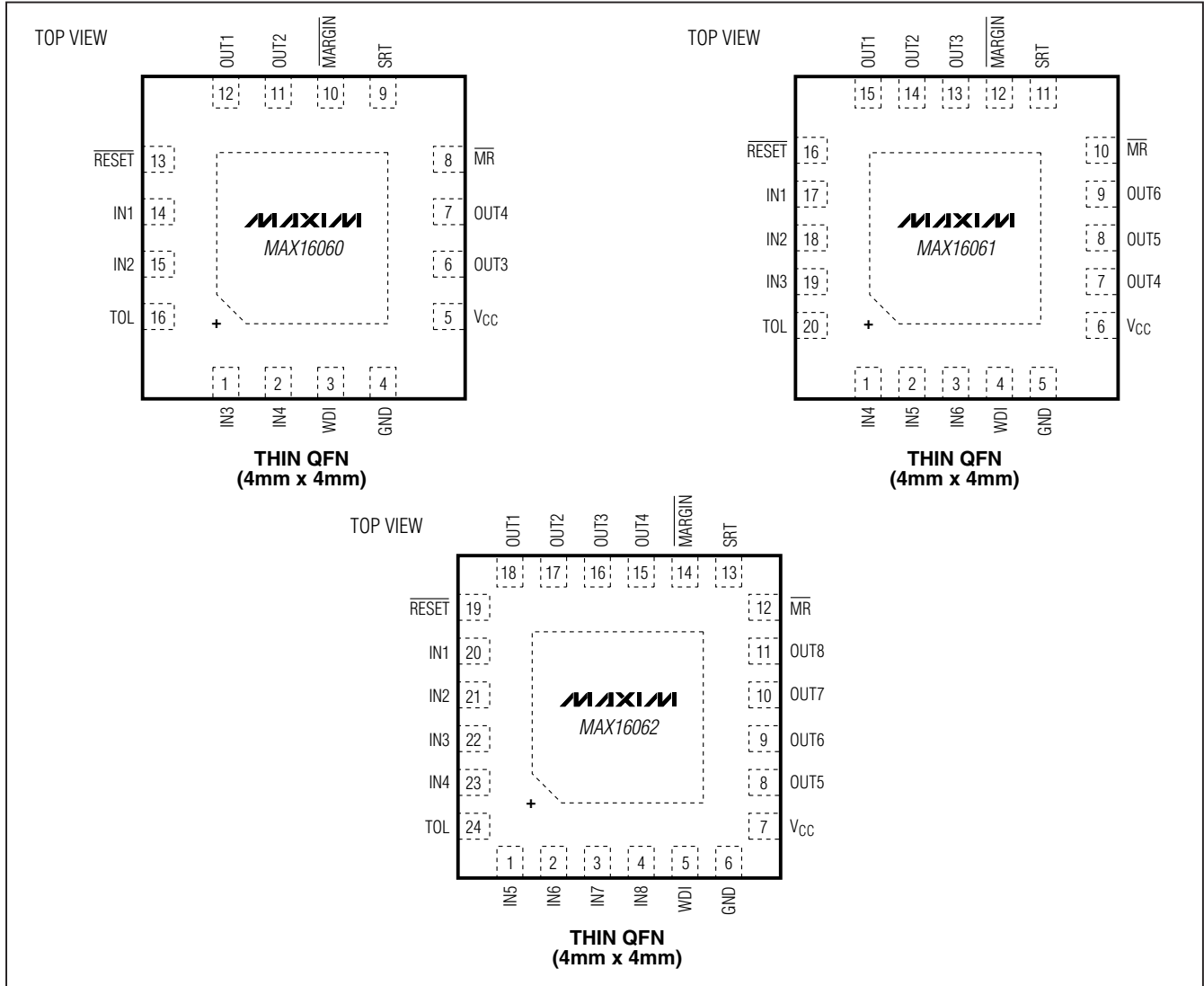
Power-Supply Bypassing

In noisy applications, bypass V_{CC} to ground with a 0.1μF capacitor as close to the device as possible. The additional capacitor improves transient immunity. For fast-rising V_{CC} transients, additional capacitance may be required.

MAX16060/MAX16061/MAX16062

1% Accurate, Quad-/Hex-/Octal-Voltage μ P Supervisors

Pin Configurations



Chip Information

PROCESS: BiCMOS

Package Information

For the latest package outline information, go to www.maxim-ic.com/packages.

| PACKAGE TYPE | PACKAGE CODE | DOCUMENT NO. |
|--------------|--------------|-------------------------|
| 16 TQFN | T1644-4 | 21-0139 |
| 20 TQFN | T2044-3 | 21-0139 |
| 24 TQFN | T2444-4 | 21-0139 |

Maxim cannot assume responsibility for use of any circuitry other than circuitry entirely embodied in a Maxim product. No circuit patent licenses are implied. Maxim reserves the right to change the circuitry and specifications without notice at any time.

18 **Maxim Integrated Products, 120 San Gabriel Drive, Sunnyvale, CA 94086 408-737-7600**