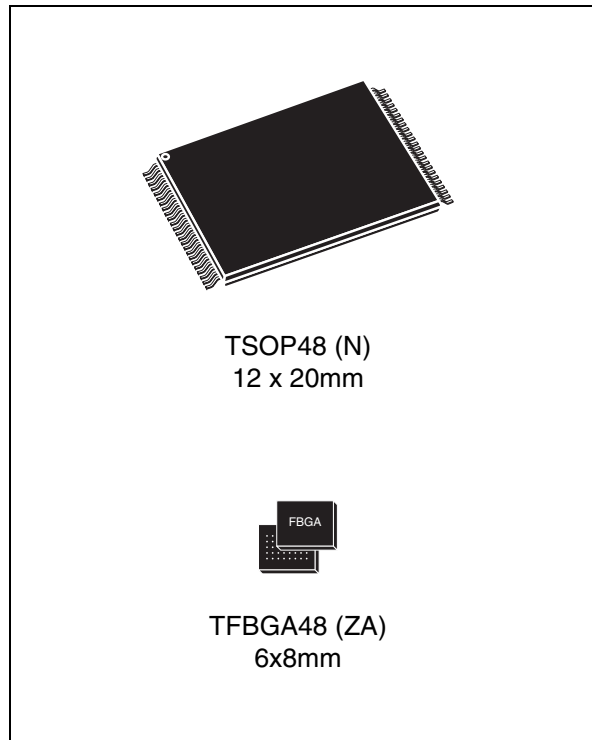


### Feature summary

- Supply voltage
  - $V_{CC} = 2.7V$  to  $3.6V$  for Program, Erase, Read
  - $V_{PP} = 12V$  for Fast Program (optional)
- Asynchronous Random/Page Read
  - Page Width: 4 Words
  - Page Access: 25ns
  - Random Access: 60ns, 70ns
- Programming time
  - 10 $\mu$ s per Byte/Word typical
  - 4 Words / 8 Bytes Program
- 135 Memory Blocks
  - 1 Boot Block and 7 Parameter Blocks, 8 KBytes each (Top or Bottom location)
  - 127 Main Blocks, 64 KBytes each
- Program/Erase Controller
  - Embedded Byte/Word Program algorithms
- Program/Erase Suspend and Resume
  - Read from any Block during Program Suspend
  - Read and Program another Block during Erase Suspend
- Unlock Bypass Program command
  - Faster Production/Batch Programming
- $V_{PP}/\overline{WP}$  pin for Fast Program and Write Protect
- Temporary Block Unprotection mode
- Common Flash Interface
  - 64-bit Security Code



- Extended Memory Block
- Extra block used as security block or to store additional information
- Low power consumption
  - Standby and Automatic Standby
- 100,000 Program/Erase cycles per block
- Electronic Signature
  - Manufacturer Code: 0020h
- ECOPACK® packages

**Table 1. Device Codes**

| Root Part Number | Device Code |
|------------------|-------------|
| M29W640FT        | 22EDh       |
| M29W640FB        | 22FDh       |

# Contents

- 1 Summary description . . . . . 7**
- 2 Signal descriptions . . . . . 11**
  - 2.1 Address Inputs (A0-A21) . . . . . 11
  - 2.2 Data Inputs/Outputs (DQ0-DQ7) . . . . . 11
  - 2.3 Data Inputs/Outputs (DQ8-DQ14) . . . . . 11
  - 2.4 Data Input/Output or Address Input (DQ15A-1) . . . . . 11
  - 2.5 Chip Enable ( $\bar{E}$ ) . . . . . 11
  - 2.6 Output Enable ( $\bar{G}$ ) . . . . . 11
  - 2.7 Write Enable ( $\bar{W}$ ) . . . . . 12
  - 2.8  $V_{PP}$ /Write Protect ( $V_{PP}/\bar{WP}$ ) . . . . . 12
  - 2.9 Reset/Block Temporary Unprotect ( $\bar{RP}$ ) . . . . . 13
  - 2.10 Ready/Busy Output ( $\bar{RB}$ ) . . . . . 13
  - 2.11 Byte/Word Organization Select ( $\bar{BYTE}$ ) . . . . . 13
  - 2.12  $V_{CC}$  Supply Voltage (2.7V to 3.6V) . . . . . 14
  - 2.13  $V_{SS}$  Ground . . . . . 14
- 3 Bus operations . . . . . 15**
  - 3.1 Bus Read . . . . . 15
  - 3.2 Bus Write . . . . . 15
  - 3.3 Output Disable . . . . . 15
  - 3.4 Standby . . . . . 15
  - 3.5 Automatic Standby . . . . . 16
  - 3.6 Special Bus operations . . . . . 16
    - 3.6.1 Electronic Signature . . . . . 16
    - 3.6.2 Block Protect and Chip Unprotect . . . . . 16
- 4 Command interface . . . . . 18**
  - 4.1 Standard commands . . . . . 18
    - 4.1.1 Read/Reset command . . . . . 18
    - 4.1.2 Auto Select command . . . . . 18
    - 4.1.3 Read CFI Query command . . . . . 19

|                   |   |           |
|-------------------|---|-----------|
| 4.1.4             | Chip Erase command                        | 19        |
| 4.1.5             | Block Erase command                       | 20        |
| 4.1.6             | Erase Suspend command                     | 20        |
| 4.1.7             | Erase Resume command                      | 21        |
| 4.1.8             | Program Suspend command                   | 21        |
| 4.1.9             | Program Resume command                    | 21        |
| 4.1.10            | Program command                           | 22        |
| 4.2               | Fast Program commands                     | 23        |
| 4.2.1             | Double Byte Program command               | 23        |
| 4.2.2             | Quadruple Byte Program command            | 23        |
| 4.2.3             | Octuple Byte Program command              | 24        |
| 4.2.4             | Double Word Program command               | 24        |
| 4.2.5             | Quadruple Word Program command            | 25        |
| 4.2.6             | Unlock Bypass command                     | 25        |
| 4.2.7             | Unlock Bypass Program command             | 25        |
| 4.2.8             | Unlock Bypass Reset command               | 25        |
| 4.3               | Block Protection commands                 | 26        |
| 4.3.1             | Enter Extended Block command              | 26        |
| 4.3.2             | Exit Extended Block command               | 26        |
| 4.3.3             | Block Protect and Chip Unprotect commands | 26        |
| <b>5</b>          | <b>Status Register</b>                    | <b>30</b> |
| 5.1               | Data Polling Bit (DQ7)                    | 30        |
| 5.2               | Toggle Bit (DQ6)                          | 30        |
| 5.3               | Error Bit (DQ5)                           | 31        |
| 5.4               | Erase Timer Bit (DQ3)                     | 31        |
| 5.5               | Alternative Toggle Bit (DQ2)              | 31        |
| <b>6</b>          | <b>Maximum rating</b>                     | <b>34</b> |
| <b>7</b>          | <b>DC and AC parameters</b>               | <b>35</b> |
| <b>8</b>          | <b>Package mechanical</b>                 | <b>44</b> |
| <b>9</b>          | <b>Part numbering</b>                     | <b>46</b> |
| <b>Appendix A</b> | <b>Block addresses</b>                    | <b>47</b> |

- Appendix B Common Flash Interface (CFI) . . . . . 57**
  
- Appendix C Extended Memory Block . . . . . 62**
  - C.1 Factory Locked Extended Block . . . . . 62
  - C.2 Customer Lockable Extended Block . . . . . 62
  
- Appendix D Block protection. . . . . 64**
  - D.1 Programmer technique . . . . . 64
  - D.2 In-System technique . . . . . 64
  
- Revision history . . . . . 70**

## List of tables

|           |  |    |
|-----------|--|----|
| Table 1.  | Device Codes . . . . .   | 1  |
| Table 2.  | Signal names . . . . .   | 8  |
| Table 3.  | Hardware protection . . . . .  | 12 |
| Table 4.  | Bus operations, $\overline{\text{BYTE}} = V_{\text{IL}}$ . . . . .   | 17 |
| Table 5.  | Bus operations, $\overline{\text{BYTE}} = V_{\text{IH}}$ . . . . .   | 17 |
| Table 6.  | Commands, 16-bit mode, $\overline{\text{BYTE}} = V_{\text{IH}}$ . . . . .                                  | 27 |
| Table 7.  | Commands, 8-bit mode, $\overline{\text{BYTE}} = V_{\text{IL}}$ . . . . .                                   | 28 |
| Table 8.  | Program, Erase times and Program, Erase Endurance cycles. . . . .  | 29 |
| Table 9.  | Status Register Bits . . . . .   | 32 |
| Table 10. | Absolute maximum ratings . . . . .   | 34 |
| Table 11. | Operating and AC measurement conditions . . . . .  | 35 |
| Table 12. | Device capacitance . . . . .   | 36 |
| Table 13. | DC characteristics . . . . .   | 36 |
| Table 14. | Read AC characteristics . . . . .  | 38 |
| Table 15. | Write AC characteristics, Write Enable controlled . . . . .  | 40 |
| Table 16. | Write AC characteristics, Chip Enable controlled . . . . .   | 42 |
| Table 17. | Reset/Block Temporary Unprotect AC characteristics . . . . .   | 43 |
| Table 18. | TSOP48 – 48 lead Plastic Thin Small Outline, 12 x 20mm, package mechanical data . . . . .                  | 44 |
| Table 19. | TFBGA48 6x8mm - 6x8 active ball array, 0.8mm pitch, package mechanical data . . . . .                      | 45 |
| Table 20. | Ordering information scheme . . . . .  | 46 |
| Table 21. | Top Boot Block addresses, M29W640FT . . . . .  | 47 |
| Table 22. | Bottom Boot Block addresses, M29W640FB . . . . .   | 52 |
| Table 23. | Query structure overview . . . . .   | 57 |
| Table 24. | CFI Query Identification String . . . . .  | 58 |
| Table 25. | CFI Query System Interface Information . . . . .   | 58 |
| Table 26. | Device Geometry Definition . . . . .   | 59 |
| Table 27. | Primary Algorithm-specific Extended Query table . . . . .  | 60 |
| Table 28. | Security Code Area . . . . .   | 61 |
| Table 29. | Extended Block address and data . . . . .  | 63 |
| Table 30. | Programmer technique bus operations, $\overline{\text{BYTE}} = V_{\text{IH}}$ or $V_{\text{IL}}$ . . . . . | 65 |
| Table 31. | Document revision history . . . . .  | 70 |

## List of figures

|            |  |    |
|------------|--|----|
| Figure 1.  | Logic diagram . . . . .  | 8  |
| Figure 2.  | TSOP connections . . . . .   | 9  |
| Figure 3.  | TFBGA48 connections (top view through package) . . . . .                                   | 10 |
| Figure 4.  | Data Polling flowchart . . . . .   | 32 |
| Figure 5.  | Data Toggle flowchart . . . . .  | 33 |
| Figure 6.  | AC measurement I/O waveform . . . . .  | 35 |
| Figure 7.  | AC measurement Load Circuit . . . . .  | 35 |
| Figure 8.  | Read Mode AC waveforms . . . . .   | 37 |
| Figure 9.  | Page Read AC waveforms . . . . .   | 37 |
| Figure 10. | Write AC waveforms, Write Enable controlled . . . . .                                      | 39 |
| Figure 11. | Write AC waveforms, Chip Enable controlled . . . . .                                       | 41 |
| Figure 12. | Reset/Block Temporary Unprotect AC waveforms . . . . .                                     | 42 |
| Figure 13. | Accelerated Program Timing waveforms . . . . .   | 43 |
| Figure 14. | TSOP48 – 48 lead Plastic Thin Small Outline, 12 x 20mm, top view package outline . . . . . | 44 |
| Figure 15. | TFBGA48 6x8mm - 6x8 active ball array, 0.8mm pitch, package outline . . . . .              | 45 |
| Figure 16. | Programmer Equipment Group Protect flowchart . . . . .                                     | 66 |
| Figure 17. | Programmer Equipment Chip Unprotect flowchart . . . . .                                    | 67 |
| Figure 18. | In-System Equipment Group Protect flowchart . . . . .                                      | 68 |
| Figure 19. | In-System Equipment Chip Unprotect flowchart . . . . .                                     | 69 |

# 1 Summary description

The M29W640F is a 64 Mbit (8Mb x8 or 4Mb x16) non-volatile memory that can be read, erased and reprogrammed. These operations can be performed using a single low voltage (2.7 to 3.6V) supply. On power-up the memory defaults to its Read mode.

The memory is divided into blocks that can be erased independently so it is possible to preserve valid data while old data is erased. Blocks can be protected in units of 256 KByte (generally groups of four 64 KByte blocks), to prevent accidental Program or Erase commands from modifying the memory. Program and Erase commands are written to the Command Interface of the memory. An on-chip Program/Erase Controller simplifies the process of programming or erasing the memory by taking care of all of the special operations that are required to update the memory contents. The end of a program or erase operation can be detected and any error conditions identified. The command set required to control the memory is consistent with JEDEC standards.

The device features an asymmetrical blocked architecture. The device has an array of 135 blocks:

- 8 Parameters Blocks of 8 KBytes each (or 4 KWords each)
- 127 Main Blocks of 64 KBytes each (or 32 KWords each)

M29W640FT has the Parameter Blocks at the top of the memory address space while the M29W640FB locates the Parameter Blocks starting from the bottom.

The M29W640F has an extra block, the Extended Block, of 128 Words in x16 mode or of 256 Byte in x8 mode that can be accessed using a dedicated command. The Extended Block can be protected and so is useful for storing security information. However the protection is not reversible, once protected the protection cannot be undone.

Chip Enable, Output Enable and Write Enable signals control the bus operation of the memory. They allow simple connection to most microprocessors, often without additional logic.

The  $V_{PP}/\overline{WP}$  signal is used to enable faster programming of the device, enabling multiple word/byte programming. If this signal is held at  $V_{SS}$ , the boot block, and its adjacent parameter block, are protected from program and erase operations.

The device supports Asynchronous Random Read and Page Read from all blocks of the memory array.

The memories are offered in TSOP48 (12x 20mm) and TFBGA48 (6x8mm, 0.8mm pitch) packages.

In order to meet environmental requirements, ST offers the M29W640FT and the M29W640FB in ECOPACK<sup>®</sup> packages. ECOPACK packages are Lead-free. The category of second Level Interconnect is marked on the package and on the inner box label, in compliance with JEDEC Standard JESD97. The maximum ratings related to soldering conditions are also marked on the inner box label. ECOPACK is an ST trademark. ECOPACK specifications are available at: [www.st.com](http://www.st.com).

The memory is delivered with all the bits erased (set to 1).

Figure 1. Logic diagram

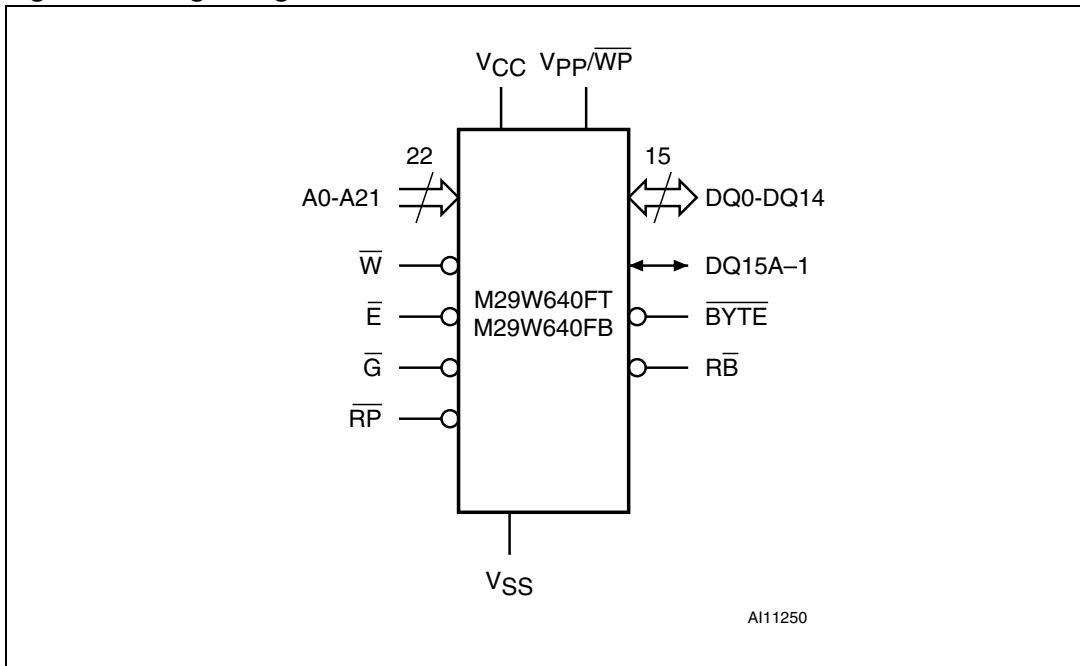


Table 2. Signal names

|                   |   |
|-------------------|---|
| A0-A21            | Address Inputs  |
| DQ0-DQ7           | Data Inputs/Outputs   |
| DQ8-DQ14          | Data Inputs/Outputs   |
| DQ15A-1 (or DQ15) | Data Input/Output or Address Input (or Data Input/Output)   |
| $\bar{E}$         | Chip Enable   |
| $\bar{G}$         | Output Enable   |
| $\bar{W}$         | Write Enable  |
| $\bar{RP}$        | Reset/Block Temporary Unprotect                             |
| $\bar{RB}$        | Ready/Busy Output   |
| $\bar{BYTE}$      | Byte/Word Organization Select                               |
| $V_{CC}$          | Supply voltage  |
| $V_{PP}/\bar{WP}$ | Supply voltage for Fast Program (optional) or Write Protect |
| $V_{SS}$          | Ground  |
| NC                | Not Connected Internally                                    |



Figure 2. TSOP connections

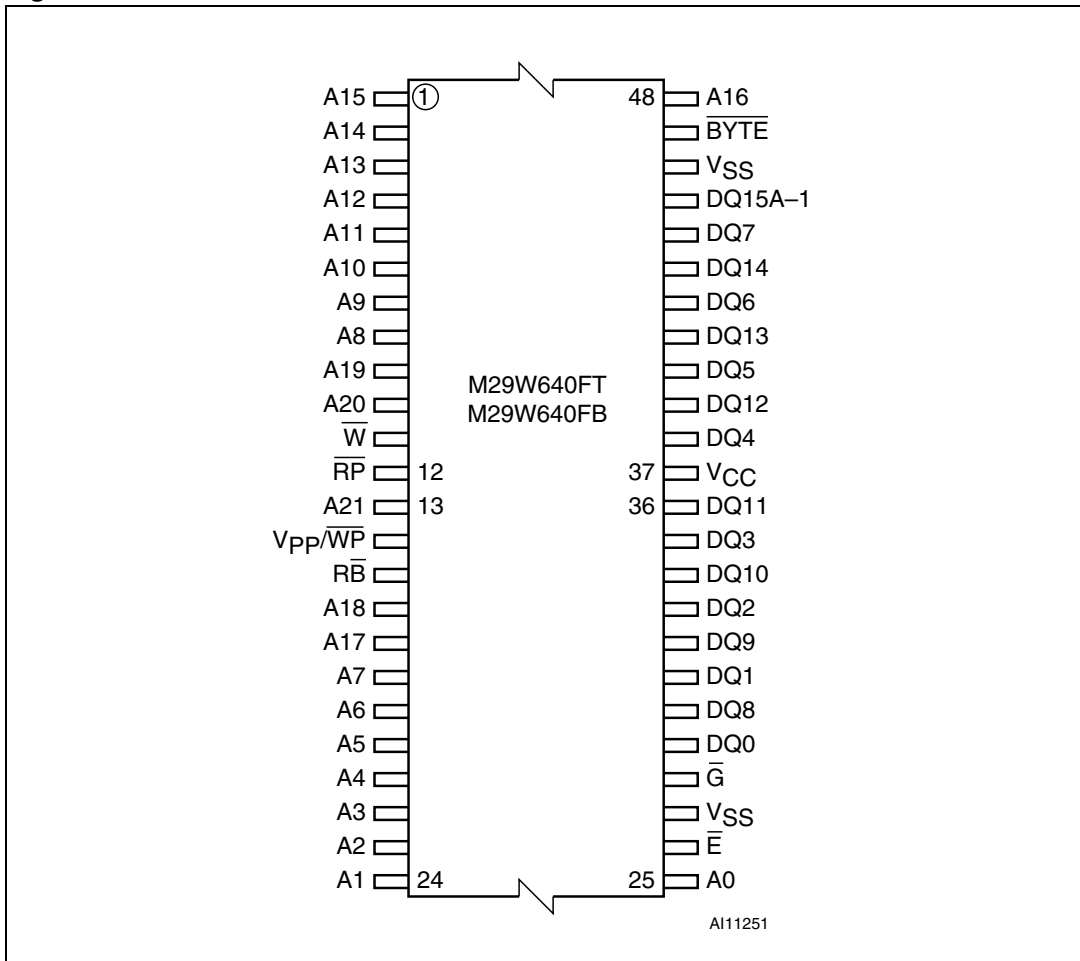
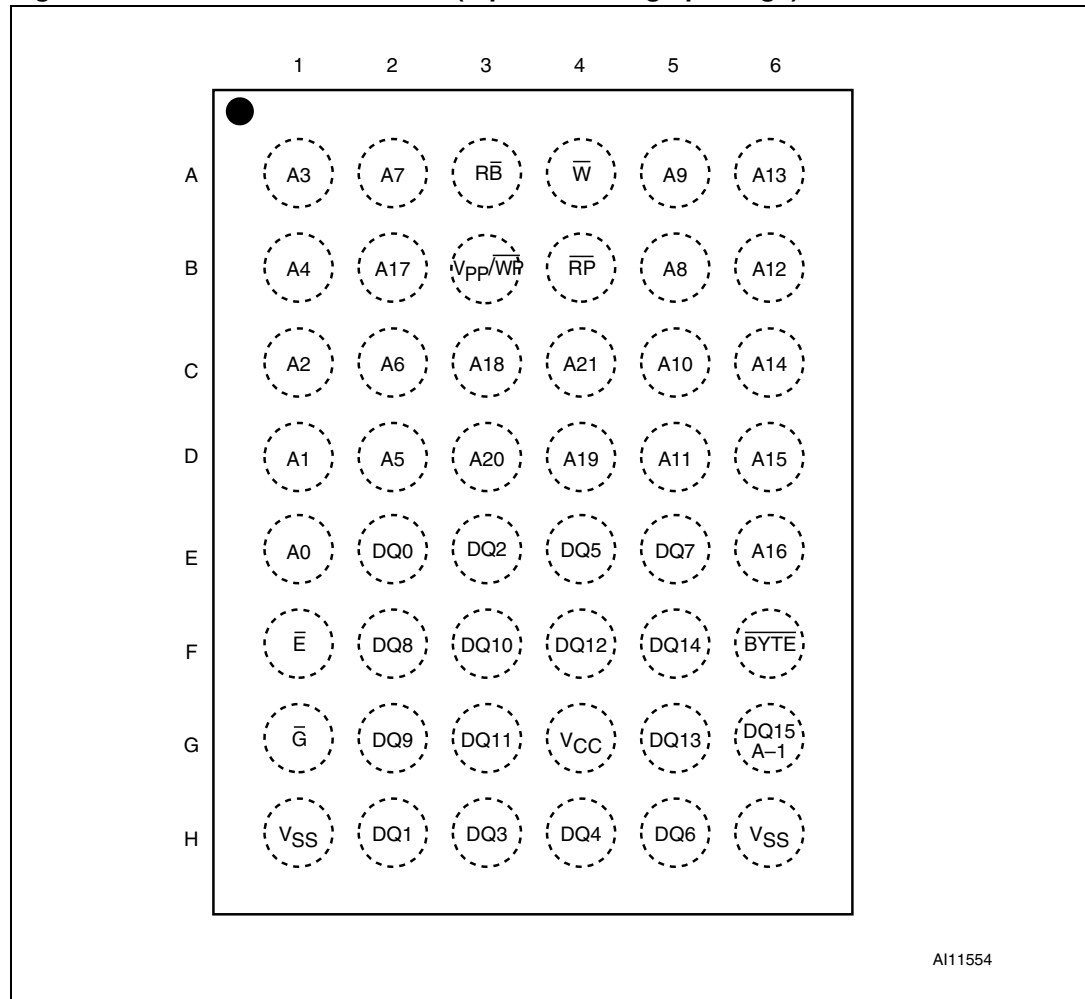


Figure 3. TFBGA48 connections (top view through package)



## 2 Signal descriptions

See [Figure 1: Logic diagram](#), and [Table 2: Signal names](#), for a brief overview of the signals connected to this device.

### 2.1 Address Inputs (A0-A21)

The Address Inputs select the cells in the memory array to access during Bus Read operations. During Bus Write operations they control the commands sent to the Command Interface of the Program/Erase Controller.

### 2.2 Data Inputs/Outputs (DQ0-DQ7)

The Data I/O outputs the data stored at the selected address during a Bus Read operation. During Bus Write operations they represent the commands sent to the Command Interface of the Program/Erase Controller.

### 2.3 Data Inputs/Outputs (DQ8-DQ14)

The Data I/O outputs the data stored at the selected address during a Bus Read operation when  $\overline{\text{BYTE}}$  is High,  $V_{IH}$ . When  $\overline{\text{BYTE}}$  is Low,  $V_{IL}$ , these pins are not used and are high impedance. During Bus Write operations the Command Register does not use these bits. When reading the Status Register these bits should be ignored.

### 2.4 Data Input/Output or Address Input (DQ15A–1)

When  $\overline{\text{BYTE}}$  is High,  $V_{IH}$ , this pin behaves as a Data Input/Output pin (as DQ8-DQ14). When  $\overline{\text{BYTE}}$  is Low,  $V_{IL}$ , this pin behaves as an address pin; DQ15A–1 Low will select the LSB of the addressed Word, DQ15A–1 High will select the MSB. Throughout the text consider references to the Data Input/Output to include this pin when  $\overline{\text{BYTE}}$  is High and references to the Address Inputs to include this pin when  $\overline{\text{BYTE}}$  is Low except when stated explicitly otherwise.

### 2.5 Chip Enable ( $\overline{\text{E}}$ )

The Chip Enable,  $\overline{\text{E}}$ , activates the memory, allowing Bus Read and Bus Write operations to be performed. When Chip Enable is High,  $V_{IH}$ , all other pins are ignored.

### 2.6 Output Enable ( $\overline{\text{G}}$ )

The Output Enable,  $\overline{\text{G}}$ , controls the Bus Read operation of the memory.

## 2.7 Write Enable ( $\overline{W}$ )

The Write Enable,  $\overline{W}$ , controls the Bus Write operation of the memory's Command Interface.

## 2.8 $V_{PP}/$ Write Protect ( $V_{PP}/\overline{WP}$ )

The  $V_{PP}/$ Write Protect pin provides two functions. The  $V_{PP}$  function allows the memory to use an external high voltage power supply to reduce the time required for Unlock Bypass Program operations. The Write Protect function provides a hardware method of protecting the two outermost boot blocks. The  $V_{PP}/$ Write Protect pin must not be left floating or unconnected.

When  $V_{PP}/$ Write Protect is Low,  $V_{IL}$ , the memory protects the two outermost boot blocks; Program and Erase operations in this block are ignored while  $V_{PP}/$ Write Protect is Low, even when  $\overline{RP}$  is at  $V_{ID}$ .

When  $V_{PP}/$ Write Protect is High,  $V_{IH}$ , the memory reverts to the previous protection status of the two outermost boot blocks. Program and Erase operations can now modify the data in the two outermost boot blocks unless the block is protected using Block Protection.

Applying  $V_{PPH}$  to the  $V_{PP}/\overline{WP}$  pin will temporarily unprotect any block previously protected (including the two outermost parameter blocks) using a High Voltage Block Protection technique (In-System or Programmer technique). See [Table 3: Hardware protection](#) for details.

When  $V_{PP}/$ Write Protect is raised to  $V_{PP}$  the memory automatically enters the Unlock Bypass mode. When  $V_{PP}/$ Write Protect returns to  $V_{IH}$  or  $V_{IL}$  normal operation resumes. During Unlock Bypass Program operations the memory draws  $I_{PP}$  from the pin to supply the programming circuits. See the description of the Unlock Bypass command in the Command Interface section. The transitions from  $V_{IH}$  to  $V_{PP}$  and from  $V_{PP}$  to  $V_{IH}$  must be slower than  $t_{VHVPP}$  see [Figure 13: Accelerated Program Timing waveforms](#).

Never raise  $V_{PP}/$ Write Protect to  $V_{PP}$  from any mode except Read mode, otherwise the memory may be left in an indeterminate state.

A 0.1 $\mu$ F capacitor should be connected between the  $V_{PP}/$ Write Protect pin and the  $V_{SS}$  Ground pin to decouple the current surges from the power supply. The PCB track widths must be sufficient to carry the currents required during Unlock Bypass Program,  $I_{PP}$

**Table 3. Hardware protection**

| $V_{PP}/\overline{WP}$ | $\overline{RP}$      | Function   |
|------------------------|----------------------|--|
| $V_{IL}$               | $V_{IH}$             | 2 outermost parameter blocks protected from Program/Erase operations |
|                        | $V_{ID}$             | All blocks temporarily unprotected except the 2 outermost blocks     |
| $V_{IH}$ or $V_{ID}$   | $V_{ID}$             | All blocks temporarily unprotected                                   |
| $V_{PPH}$              | $V_{IH}$ or $V_{ID}$ | All blocks temporarily unprotected                                   |

## 2.9 Reset/Block Temporary Unprotect ( $\overline{\text{RP}}$ )

The Reset/Block Temporary Unprotect pin can be used to apply a Hardware Reset to the memory or to temporarily unprotect all Blocks that have been protected.

Note that if  $V_{\text{PP}}/\overline{\text{WP}}$  is at  $V_{\text{IL}}$ , then the two outermost boot blocks will remain protected even if  $\overline{\text{RP}}$  is at  $V_{\text{ID}}$ .

A Hardware Reset is achieved by holding Reset/Block Temporary Unprotect Low,  $V_{\text{IL}}$ , for at least  $t_{\text{PLPX}}$ . After Reset/Block Temporary Unprotect goes High,  $V_{\text{IH}}$ , the memory will be ready for Bus Read and Bus Write operations after  $t_{\text{PHEL}}$  or  $t_{\text{RHEL}}$ , whichever occurs last. See the Ready/Busy Output section, [Table 17: Reset/Block Temporary Unprotect AC characteristics](#) and [Figure 12: Reset/Block Temporary Unprotect AC waveforms](#), for more details.

Holding  $\overline{\text{RP}}$  at  $V_{\text{ID}}$  will temporarily unprotect the protected Blocks in the memory. Program and Erase operations on all blocks will be possible. The transition from  $V_{\text{IH}}$  to  $V_{\text{ID}}$  must be slower than  $t_{\text{HPHH}}$ .

## 2.10 Ready/Busy Output ( $\overline{\text{RB}}$ )

The Ready/Busy pin is an open-drain output that can be used to identify when the device is performing a Program or Erase operation. During Program or Erase operations Ready/Busy is Low,  $V_{\text{OL}}$ . Ready/Busy is high-impedance during Read mode, Auto Select mode and Erase Suspend mode.

After a Hardware Reset, Bus Read and Bus Write operations cannot begin until Ready/Busy becomes high-impedance. See [Table 17: Reset/Block Temporary Unprotect AC characteristics](#) and [Figure 12: Reset/Block Temporary Unprotect AC waveforms](#), for more details.

The use of an open-drain output allows the Ready/Busy pins from several memories to be connected to a single pull-up resistor. A Low will then indicate that one, or more, of the memories is busy.

## 2.11 Byte/Word Organization Select ( $\overline{\text{BYTE}}$ )

The Byte/Word Organization Select pin is used to switch between the x8 and x16 Bus modes of the memory. When Byte/Word Organization Select is Low,  $V_{\text{IL}}$ , the memory is in x8 mode, when it is High,  $V_{\text{IH}}$ , the memory is in x16 mode.

## 2.12 $V_{CC}$ Supply Voltage (2.7V to 3.6V)

$V_{CC}$  provides the power supply for all operations (Read, Program and Erase).

The Command Interface is disabled when the  $V_{CC}$  Supply voltage is less than the Lockout Voltage,  $V_{LKO}$ . This prevents Bus Write operations from accidentally damaging the data during power up, power down and power surges. If the Program/Erase Controller is programming or erasing during this time then the operation aborts and the memory contents being altered will be invalid.

A 0.1 $\mu$ F capacitor should be connected between the  $V_{CC}$  Supply voltage pin and the  $V_{SS}$  Ground pin to decouple the current surges from the power supply. The PCB track widths must be sufficient to carry the currents required during Program and Erase operations,  $I_{CC3}$ .

## 2.13 $V_{SS}$ Ground

$V_{SS}$  is the reference for all voltage measurements. The device features two  $V_{SS}$  pins which must be both connected to the system ground.

## 3 Bus operations

There are five standard bus operations that control the device. These are Bus Read, Bus Write, Output Disable, Standby and Automatic Standby. See [Table 4: Bus operations, BYTE =  \$V\_{IL}\$](#)  and [Table 5: Bus operations, BYTE =  \$V\_{IH}\$](#) , for a summary. Typically glitches of less than 5ns on Chip Enable or Write Enable are ignored by the memory and do not affect bus operations.

### 3.1 Bus Read

Bus Read operations read from the memory cells, or specific registers in the Command Interface. A valid Bus Read operation involves setting the desired address on the Address Inputs, applying a Low signal,  $V_{IL}$ , to Chip Enable and Output Enable and keeping Write Enable High,  $V_{IH}$ . The Data Inputs/Outputs will output the value, see [Figure 8: Read Mode AC waveforms](#), and [Table 14: Read AC characteristics](#), for details of when the output becomes valid.

### 3.2 Bus Write

Bus Write operations write to the Command Interface. To speed up the read operation the memory array can be read in Page mode where data is internally read and stored in a page buffer. The Page has a size of 4 Words and is addressed by the address inputs A0-A1.

A valid Bus Write operation begins by setting the desired address on the Address Inputs. The Address Inputs are latched by the Command Interface on the falling edge of Chip Enable or Write Enable, whichever occurs last. The Data Inputs/Outputs are latched by the Command Interface on the rising edge of Chip Enable or Write Enable, whichever occurs first. Output Enable must remain High,  $V_{IH}$ , during the whole Bus Write operation. See [Figure 10: Write AC waveforms, Write Enable controlled](#), [Figure 11: Write AC waveforms, Chip Enable controlled](#), and [Table 15: Write AC characteristics, Write Enable controlled](#) and [Table 16: Write AC characteristics, Chip Enable controlled](#), for details of the timing requirements.

### 3.3 Output Disable

The Data Inputs/Outputs are in the high impedance state when Output Enable is High,  $V_{IH}$ .

### 3.4 Standby

When Chip Enable is High,  $V_{IH}$ , the memory enters Standby mode and the Data Inputs/Outputs pins are placed in the high-impedance state. To reduce the Supply Current to the Standby Supply Current,  $I_{CC2}$ , Chip Enable should be held within  $V_{CC} \pm 0.2V$ . For the Standby current level see [Table 13: DC characteristics](#).

During program or erase operations the memory will continue to use the Program/Erase Supply Current,  $I_{CC3}$ , for Program or Erase operations until the operation completes.

### 3.5 Automatic Standby

If CMOS levels ( $V_{CC} \pm 0.2V$ ) are used to drive the bus and the bus is inactive for 300ns or more the memory enters Automatic Standby where the internal Supply Current is reduced to the Standby Supply Current,  $I_{CC2}$ . The Data Inputs/Outputs will still output data if a Bus Read operation is in progress.

### 3.6 Special Bus operations

Additional bus operations can be performed to read the Electronic Signature and also to apply and remove Block Protection. These bus operations are intended for use by programming equipment and are not usually used in applications. They require  $V_{ID}$  to be applied to some pins.

#### 3.6.1 Electronic Signature

The memory has two codes, the manufacturer code and the device code, that can be read to identify the memory. These codes can be read by applying the signals listed in [Table 4: Bus operations, BYTE =  \$V\_{IL}\$](#)  and [Table 5: Bus operations, BYTE =  \$V\_{IH}\$](#) .

#### 3.6.2 Block Protect and Chip Unprotect

Groups of blocks can be protected against accidental Program or Erase. The Protection Groups are shown in [Appendix A: Block addresses Table 21](#) and [Table 22](#). The whole chip can be unprotected to allow the data inside the blocks to be changed.

The  $V_{PP}$ /Write Protect pin can be used to protect the two outermost boot blocks. When  $V_{PP}$ /Write Protect is at  $V_{IL}$  the two outermost boot blocks are protected and remain protected regardless of the Block Protection Status or the Reset/Block Temporary Unprotect pin status.

Block Protect and Chip Unprotect operations are described in [Appendix D: Block protection](#).



Table 4. Bus operations,  $\overline{\text{BYTE}} = V_{\text{IL}}$  (1)

| Operation                                 | $\overline{\text{E}}$ | $\overline{\text{G}}$ | $\overline{\text{W}}$ | Address Inputs<br>DQ15A-1, A0-A21  | Data Inputs/Outputs |   |
|---|-----------------------|-----------------------|-----------------------|--|---------------------|---|
|   |                       |                       |                       |  | DQ14-DQ8            | DQ7-DQ0   |
| Bus Read                                  | $V_{\text{IL}}$       | $V_{\text{IL}}$       | $V_{\text{IH}}$       | Cell address   | Hi-Z                | Data Output                                     |
| Bus Write                                 | $V_{\text{IL}}$       | $V_{\text{IH}}$       | $V_{\text{IL}}$       | Command address  | Hi-Z                | Data Input                                      |
| Output Disable                            | X                     | $V_{\text{IH}}$       | $V_{\text{IH}}$       | X  | Hi-Z                | Hi-Z  |
| Standby                                   | $V_{\text{IH}}$       | X                     | X                     | X  | Hi-Z                | Hi-Z  |
| Read Manufacturer Code                    | $V_{\text{IL}}$       | $V_{\text{IL}}$       | $V_{\text{IH}}$       | A0-A3 = $V_{\text{IL}}$ , A6 = $V_{\text{IL}}$ ,<br>A9 = $V_{\text{ID}}$ , Others $V_{\text{IL}}$ or $V_{\text{IH}}$                                       | Hi-Z                | 20h   |
| Read Device Code                          | $V_{\text{IL}}$       | $V_{\text{IL}}$       | $V_{\text{IH}}$       | A0 = $V_{\text{IH}}$ , A1-A3 = $V_{\text{IL}}$ ,<br>A6 = $V_{\text{IL}}$ , A9 = $V_{\text{ID}}$ ,<br>Others $V_{\text{IL}}$ or $V_{\text{IH}}$             | Hi-Z                | EDh (M29W640FT)<br>FDh (M29W640FB)              |
| Read Extended Memory<br>Block Verify Code | $V_{\text{IL}}$       | $V_{\text{IL}}$       | $V_{\text{IH}}$       | A0 -A1 = $V_{\text{IH}}$ , A2-A3 = $V_{\text{IL}}$ ,<br>A6 = $V_{\text{IL}}$ , A9 = $V_{\text{ID}}$ ,<br>Others $V_{\text{IL}}$ or $V_{\text{IH}}$         | Hi-Z                | 80h (Factory Locked)<br>00h (Customer Lockable) |
| Read Block Protection<br>Status           | $V_{\text{IL}}$       | $V_{\text{IL}}$       | $V_{\text{IH}}$       | A0,A2,A3, A6 = $V_{\text{IL}}$ ,<br>A1 = $V_{\text{IH}}$ , A9 = $V_{\text{ID}}$ ,<br>A12-A21 = Block address,<br>Others $V_{\text{IL}}$ or $V_{\text{IH}}$ | Hi-Z                | 01h (protected)<br>00h (unprotected)            |

1. X =  $V_{\text{IL}}$  or  $V_{\text{IH}}$ .Table 5. Bus operations,  $\overline{\text{BYTE}} = V_{\text{IH}}$  (1)

| Operation                                 | $\overline{\text{E}}$ | $\overline{\text{G}}$ | $\overline{\text{W}}$ | Address Inputs<br>A0-A21  | Data Inputs/Outputs<br>DQ15A-1, DQ14-DQ0        |
|---|-----------------------|-----------------------|-----------------------|---|---|
|   |                       |                       |                       |   |   |
| Bus Read                                  | $V_{\text{IL}}$       | $V_{\text{IL}}$       | $V_{\text{IH}}$       | Cell address  | Data Output                                     |
| Bus Write                                 | $V_{\text{IL}}$       | $V_{\text{IH}}$       | $V_{\text{IL}}$       | Command address   | Data Input                                      |
| Output Disable                            | X                     | $V_{\text{IH}}$       | $V_{\text{IH}}$       | X   | Hi-Z  |
| Standby                                   | $V_{\text{IH}}$       | X                     | X                     | X   | Hi-Z  |
| Read Manufacturer Code                    | $V_{\text{IL}}$       | $V_{\text{IL}}$       | $V_{\text{IH}}$       | A0-A3 = $V_{\text{IL}}$ , A6 = $V_{\text{IL}}$ ,<br>A9 = $V_{\text{ID}}$ , Others $V_{\text{IL}}$ or $V_{\text{IH}}$                                    | 0020h   |
| Read Device Code                          | $V_{\text{IL}}$       | $V_{\text{IL}}$       | $V_{\text{IH}}$       | A0 = $V_{\text{IH}}$ , A1-A3 = $V_{\text{IL}}$ , A6 = $V_{\text{IL}}$ ,<br>A9 = $V_{\text{ID}}$ , Others $V_{\text{IL}}$ or $V_{\text{IH}}$             | 22EDh (M29W640FT)<br>22FDh (M29W640FB)          |
| Read Extended Memory<br>Block Verify Code | $V_{\text{IL}}$       | $V_{\text{IL}}$       | $V_{\text{IH}}$       | A0 -A1 = $V_{\text{IH}}$ , A2-A3 = $V_{\text{IL}}$ ,<br>A6 = $V_{\text{IL}}$ , A9 = $V_{\text{ID}}$ ,<br>Others $V_{\text{IL}}$ or $V_{\text{IH}}$      | 80h (Factory Locked)<br>00h (Customer Lockable) |
| Read Block Protection<br>Status           | $V_{\text{IL}}$       | $V_{\text{IL}}$       | $V_{\text{IH}}$       | A0,A2,A3, A6 = $V_{\text{IL}}$ , A1 = $V_{\text{IH}}$ , A9 = $V_{\text{ID}}$ ,<br>A12-A21 = Block address,<br>Others $V_{\text{IL}}$ or $V_{\text{IH}}$ | 0001h (protected)<br>0000h (unprotected)        |

1. X =  $V_{\text{IL}}$  or  $V_{\text{IH}}$ .

## 4 Command interface

All Bus Write operations to the memory are interpreted by the Command Interface. Commands consist of one or more sequential Bus Write operations. Failure to observe a valid sequence of Bus Write operations will result in the memory returning to Read mode. The long command sequences are imposed to maximize data security.

The address used for the commands changes depending on whether the memory is in 16-bit or 8-bit mode. See either [Table 6](#), or [Table 7](#), depending on the configuration that is being used, for a summary of the commands.

### 4.1 Standard commands

#### 4.1.1 Read/Reset command

The Read/Reset command returns the memory to its Read mode. It also resets the errors in the Status Register. Either one or three Bus Write operations can be used to issue the Read/Reset command.

The Read/Reset command can be issued, between Bus Write cycles before the start of a program or erase operation, to return the device to read mode. If the Read/Reset command is issued during the timeout of a Block Erase operation then the memory will take up to 10 $\mu$ s to abort. During the abort period no valid data can be read from the memory. The Read/Reset command will not abort an Erase operation when issued while in Erase Suspend.

#### 4.1.2 Auto Select command

The Auto Select command is used to read the Manufacturer Code, the Device Code, the Block Protection Status and the Extended Memory Block Verify Code. Three consecutive Bus Write operations are required to issue the Auto Select command. Once the Auto Select command is issued the memory remains in Auto Select mode until a Read/Reset command is issued. Read CFI Query and Read/Reset commands are accepted in Auto Select mode, all other commands are ignored.

In Auto Select mode, the Manufacturer Code and the Device Code can be read by using a Bus Read operation with addresses and control signals set as shown in [Table 4: Bus operations, BYTE = V<sub>IL</sub>](#) and [Table 5: Bus operations, BYTE = V<sub>IH</sub>](#), except for A9 that is 'Don't Care'.

The Block Protection Status of each block can be read using a Bus Read operation with addresses and control signals set as shown in [Table 4: Bus operations, BYTE = V<sub>IL</sub>](#) and [Table 5: Bus operations, BYTE = V<sub>IH</sub>](#), except for A9 that is 'Don't Care'. If the addressed block is protected then 01h is output on Data Inputs/Outputs DQ0-DQ7, otherwise 00h is output (in 8-bit mode).

The protection status of the Extended Memory block, or Extended Memory Block Verify code, can be read using a Bus Read operation with addresses and control signals set as shown in [Table 4: Bus operations, BYTE = V<sub>IL</sub>](#) and [Table 5: Bus operations, BYTE = V<sub>IH</sub>](#), except for A9 that is 'Don't Care'. If the Extended Block is "Factory Locked" then 80h is output on Data Input/Outputs DQ0-DQ7, otherwise 00h is output (8-bit mode).

### 4.1.3 Read CFI Query command

The Read CFI Query Command is used to read data from the Common Flash Interface (CFI) Memory Area. This command is valid when the device is in the Read Array mode, or when the device is in Autoselected mode.

One Bus Write cycle is required to issue the Read CFI Query Command. Once the command is issued subsequent Bus Read operations read from the Common Flash Interface Memory Area.

The Read/Reset command must be issued to return the device to the previous mode (the Read Array mode or Autoselected mode). A second Read/Reset command would be needed if the device is to be put in the Read Array mode from Autoselected mode.

See [Appendix B: Common Flash Interface \(CFI\)](#), Tables [23](#), [24](#), [25](#), [26](#), [27](#) and [28](#) for details on the information contained in the Common Flash Interface (CFI) memory area.

### 4.1.4 Chip Erase command

The Chip Erase command can be used to erase the entire chip. Six Bus Write operations are required to issue the Chip Erase Command and start the Program/Erase Controller.

If any blocks are protected then these are ignored and all the other blocks are erased. If all of the blocks are protected the Chip Erase operation appears to start but will terminate within about 100µs, leaving the data unchanged. No error condition is given when protected blocks are ignored.

During the erase operation the memory will ignore all commands, including the Erase Suspend command. It is not possible to issue any command to abort the operation. Typical chip erase times are given in [Table 8: Program, Erase times and Program, Erase Endurance cycles](#). All Bus Read operations during the Chip Erase operation will output the Status Register on the Data Inputs/Outputs. See the section on the Status Register for more details.

After the Chip Erase operation has completed the memory will return to the Read Mode, unless an error has occurred. When an error occurs the memory will continue to output the Status Register. A Read/Reset command must be issued to reset the error condition and return to Read Mode.

The Chip Erase Command sets all of the bits in unprotected blocks of the memory to '1'. All previous data is lost.

### 4.1.5 Block Erase command

The Block Erase command can be used to erase a list of one or more blocks. Six Bus Write operations are required to select the first block in the list. Each additional block in the list can be selected by repeating the sixth Bus Write operation using the address of the additional block. The Block Erase operation starts the Program/Erase Controller about 50 $\mu$ s after the last Bus Write operation. Once the Program/Erase Controller starts it is not possible to select any more blocks. Each additional block must therefore be selected within 50 $\mu$ s of the last block. The 50 $\mu$ s timer restarts when an additional block is selected. The Status Register can be read after the sixth Bus Write operation. See the Status Register section for details on how to identify if the Program/Erase Controller has started the Block Erase operation.

If any selected blocks are protected then these are ignored and all the other selected blocks are erased. If all of the selected blocks are protected the Block Erase operation appears to start but will terminate within about 100 $\mu$ s, leaving the data unchanged. No error condition is given when protected blocks are ignored.

During the Block Erase operation the memory will ignore all commands except the Erase Suspend command. Typical block erase times are given in [Table 8: Program, Erase times and Program, Erase Endurance cycles](#). All Bus Read operations during the Block Erase operation will output the Status Register on the Data Inputs/Outputs. See the section on the Status Register for more details.

After the Block Erase operation has completed the memory will return to the Read Mode, unless an error has occurred. When an error occurs the memory will continue to output the Status Register. A Read/Reset command must be issued to reset the error condition and return to Read mode.

The Block Erase Command sets all of the bits in the unprotected selected blocks to '1'. All previous data in the selected blocks is lost.

### 4.1.6 Erase Suspend command

The Erase Suspend Command may be used to temporarily suspend a Block Erase operation and return the memory to Read mode. The command requires one Bus Write operation.

The Program/Erase Controller will suspend within the Erase Suspend Latency time of the Erase Suspend Command being issued. Once the Program/Erase Controller has stopped the memory will be set to Read mode and the Erase will be suspended. If the Erase Suspend command is issued during the period when the memory is waiting for an additional block (before the Program/Erase Controller starts) then the Erase is suspended immediately and will start immediately when the Erase Resume Command is issued. It is not possible to select any further blocks to erase after the Erase Resume.

During Erase Suspend it is possible to Read and Program cells in blocks that are not being erased; both Read and Program operations behave as normal on these blocks. If any attempt is made to program in a protected block or in the suspended block then the Program command is ignored and the data remains unchanged. The Status Register is not read and no error condition is given. Reading from blocks that are being erased will output the Status Register.

It is also possible to issue the Auto Select, Read CFI Query and Unlock Bypass commands during an Erase Suspend. The Read/Reset command must be issued to return the device to Read Array mode before the Resume command will be accepted.

#### 4.1.7 Erase Resume command

The Erase Resume command must be used to restart the Program/Erase Controller after an Erase Suspend. The device must be in Read Array mode before the Resume command will be accepted. An erase can be suspended and resumed more than once.

#### 4.1.8 Program Suspend command

The Program Suspend command allows the system to interrupt a program operation so that data can be read from any block. When the Program Suspend command is issued during a program operation, the device suspends the program operation within the Program Suspend Latency time (see [Table 8: Program, Erase times and Program, Erase Endurance cycles](#) for value) and updates the Status Register bits.

After the program operation has been suspended, the system can read array data from any address. However, data read from Program-Suspended addresses is not valid.

The Program Suspend command may also be issued during a program operation while an erase is suspended. In this case, data may be read from any addresses not in Erase Suspend or Program Suspend. If a read is needed from the Extended Block area (One-time Program area), the user must use the proper command sequences to enter and exit this region.

The system may also issue the Auto Select command sequence when the device is in the Program Suspend mode. The system can read as many Auto Select codes as required. When the device exits the Auto Select mode, the device reverts to the Program Suspend mode, and is ready for another valid operation. See Auto Select command sequence for more information.

#### 4.1.9 Program Resume command

After the Program Resume command is issued, the device reverts to programming. The controller can determine the status of the program operation using the DQ7 or DQ6 status bits, just as in the standard program operation. See Write Operation Status for more information.

The system must write the Program Resume command, to exit the Program Suspend mode and to continue the programming operation.

Further issuing of the Resume command is ignored. Another Program Suspend command can be written after the device has resumed programming.

#### 4.1.10 Program command

The Program command can be used to program a value to one address in the memory array at a time. The command requires four Bus Write operations, the final write operation latches the address and data, and starts the Program/Erase Controller.

Programming can be suspended and then resumed by issuing a Program Suspend command and a Program Resume command, respectively (see [Section 4.1.8: Program Suspend command](#) and [Section 4.1.9: Program Resume command](#)).

If the address falls in a protected block then the Program command is ignored, the data remains unchanged. The Status Register is never read and no error condition is given.

During the program operation the memory will ignore all commands. It is not possible to issue any command to abort or pause the operation. Typical program times are given in [Table 8: Program, Erase times and Program, Erase Endurance cycles](#). Bus Read operations during the program operation will output the Status Register on the Data Inputs/Outputs. See the section on the Status Register for more details.

After the program operation has completed the memory will return to the Read mode, unless an error has occurred. When an error occurs the memory will continue to output the Status Register. A Read/Reset command must be issued to reset the error condition and return to Read mode.

Note that the Program command cannot change a bit set at '0' back to '1'. One of the Erase Commands must be used to set all the bits in a block or in the whole memory from '0' to '1'.

## 4.2 Fast Program commands

There are four Fast Program commands available to improve the programming throughput, by writing several adjacent words or bytes in parallel. The Double, Quadruple and Octuple Byte Program commands are available for x8 operations, while the Double Quadruple Word Program command are available for x16 operations.

Fast Program commands can be suspended and then resumed by issuing a Program Suspend command and a Program Resume command, respectively (see [Section 4.1.8: Program Suspend command](#) and [Section 4.1.9: Program Resume command](#)).

When  $V_{PPH}$  is applied to the  $V_{PP}/\text{Write Protect}$  pin the memory automatically enters the Fast Program mode. The user can then choose to issue any of the Fast Program commands. Care must be taken because applying a  $V_{PPH}$  to the  $V_{PP}/\overline{WP}$  pin will temporarily unprotect any protected block.

### 4.2.1 Double Byte Program command

The Double Byte Program command is used to write a page of two adjacent Bytes in parallel. The two bytes must differ only in DQ15A-1. Three bus write cycles are necessary to issue the Double Byte Program command.

1. The first bus cycle sets up the Double Byte Program Command.
2. The second bus cycle latches the Address and the Data of the first byte to be written.
3. The third bus cycle latches the Address and the Data of the second byte to be written.

### 4.2.2 Quadruple Byte Program command

The Quadruple Byte Program command is used to write a page of four adjacent Bytes in parallel. The four bytes must differ only for addresses A0, DQ15A-1. Five bus write cycles are necessary to issue the Quadruple Byte Program command.

1. The first bus cycle sets up the Quadruple Byte Program Command.
2. The second bus cycle latches the Address and the Data of the first byte to be written.
3. The third bus cycle latches the Address and the Data of the second byte to be written.
4. The fourth bus cycle latches the Address and the Data of the third byte to be written.
5. The fifth bus cycle latches the Address and the Data of the fourth byte to be written and starts the Program/Erase Controller.

### 4.2.3 Octuple Byte Program command

This is used to write eight adjacent Bytes, in x8 mode, simultaneously. The addresses of the eight Bytes must differ only in A1, A0 and DQ15A-1.

Nine bus write cycles are necessary to issue the command:

1. The first bus cycle sets up the command.
2. The second bus cycle latches the Address and the Data of the first Byte to be written.
3. The third bus cycle latches the Address and the Data of the second Byte to be written.
4. The fourth bus cycle latches the Address and the Data of the third Byte to be written.
5. The fifth bus cycle latches the Address and the Data of the fourth Byte to be written.
6. The sixth bus cycle latches the Address and the Data of the fifth Byte to be written.
7. The seventh bus cycle latches the Address and the Data of the sixth Byte to be written.
8. The eighth bus cycle latches the Address and the Data of the seventh Byte to be written.
9. The ninth bus cycle latches the Address and the Data of the eighth Byte to be written and starts the Program/Erase Controller.

### 4.2.4 Double Word Program command

The Double Word Program command is used to write a page of two adjacent Words in parallel. The two Words must differ only for the address A0.

Three bus write cycles are necessary to issue the Double Word Program command.

- The first bus cycle sets up the Quadruple Word Program Command.
- The second bus cycle latches the Address and the Data of the first Word to be written.
- The third bus cycle latches the Address and the Data of the second Word to be written and starts the Program/Erase Controller.

After the program operation has completed the memory will return to the Read mode, unless an error has occurred. When an error occurs Bus Read operations will continue to output the Status Register. A Read/Reset command must be issued to reset the error condition and return to Read mode.

Note that the Fast Program commands cannot change a bit set at '0' back to '1'. One of the Erase Commands must be used to set all the bits in a block or in the whole memory from '0' to '1'.

Typical Program times are given in [Table 8: Program, Erase times and Program, Erase Endurance cycles](#).



### 4.2.5 Quadruple Word Program command

This is used to write a page of four adjacent Words (or 8 adjacent Bytes), in x16 mode, simultaneously. The addresses of the four Words must differ only in A1 and A0.

Five bus write cycles are necessary to issue the command:

- The first bus cycle sets up the command.
- The second bus cycle latches the Address and the Data of the first Word to be written.
- The third bus cycle latches the Address and the Data of the second Word to be written.
- The fourth bus cycle latches the Address and the Data of the third Word to be written.
- The fifth bus cycle latches the Address and the Data of the fourth Word to be written and starts the Program/Erase Controller.

### 4.2.6 Unlock Bypass command

The Unlock Bypass command is used in conjunction with the Unlock Bypass Program command to program the memory faster than with the standard program commands. When the cycle time to the device is long, considerable time saving can be made by using these commands. Three Bus Write operations are required to issue the Unlock Bypass command.

Once the Unlock Bypass command has been issued the memory will only accept the Unlock Bypass Program command and the Unlock Bypass Reset command. The memory can be read as if in Read mode.

When  $V_{PP}$  is applied to the  $V_{PP}$ /Write Protect pin the memory automatically enters the Unlock Bypass mode and the Unlock Bypass Program command can be issued immediately.

### 4.2.7 Unlock Bypass Program command

The Unlock Bypass command is used in conjunction with the Unlock Bypass Program command to program the memory. When the cycle time to the device is long, considerable time saving can be made by using these commands. Three Bus Write operations are required to issue the Unlock Bypass command.

Once the Unlock Bypass command has been issued the memory will only accept the Unlock Bypass Program command and the Unlock Bypass Reset command. The memory can be read as if in Read mode.

The memory offers accelerated program operations through the  $V_{PP}$ /Write Protect pin. When the system asserts  $V_{PP}$  on the  $V_{PP}$ /Write Protect pin, the memory automatically enters the Unlock Bypass mode. The system may then write the two-cycle Unlock Bypass program command sequence. The memory uses the higher voltage on the  $V_{PP}$ /Write Protect pin, to accelerate the Unlock Bypass Program operation.

Never raise  $V_{PP}$ /Write Protect to  $V_{PP}$  from any mode except Read mode, otherwise the memory may be left in an indeterminate state.

### 4.2.8 Unlock Bypass Reset command

The Unlock Bypass Reset command can be used to return to Read/Reset mode from Unlock Bypass Mode. Two Bus Write operations are required to issue the Unlock Bypass Reset command. Read/Reset command does not exit from Unlock Bypass Mode.

## 4.3 Block Protection commands

### 4.3.1 Enter Extended Block command

The device has an extra 256 Byte block (Extended Block) that can only be accessed using the Enter Extended Block command. Three Bus write cycles are required to issue the Extended Block command. Once the command has been issued the device enters Extended Block mode where all Bus Read or Write operations to the Boot Block addresses access the Extended Block. The Extended Block (with the same address as the Boot Blocks) cannot be erased, and can be treated as one-time programmable (OTP) memory. In Extended Block mode the Boot Blocks are not accessible.

To exit from the Extended Block mode the Exit Extended Block command must be issued.

The Extended Block can be protected, however once protected the protection cannot be undone.

### 4.3.2 Exit Extended Block command

The Exit Extended Block command is used to exit from the Extended Block mode and return the device to Read mode. Four Bus Write operations are required to issue the command.

### 4.3.3 Block Protect and Chip Unprotect commands

Groups of blocks can be protected against accidental Program or Erase. The Protection Groups are shown in [Appendix A: Block addresses, Table 21: Top Boot Block addresses, M29W640FT](#) and [Table 22: Bottom Boot Block addresses, M29W640FB](#). The whole chip can be unprotected to allow the data inside the blocks to be changed.

Block Protect and Chip Unprotect operations are described in [Appendix D: Block protection](#).

Table 6. Commands, 16-bit mode,  $\overline{\text{BYTE}} = V_{IH}^{(1)}$ 

| Command                | Length | Bus Write operations |      |      |      |      |      |      |      |      |      |      |      |
|------------------------|--------|----------------------|------|------|------|------|------|------|------|------|------|------|------|
|                        |        | 1st                  |      | 2nd  |      | 3rd  |      | 4th  |      | 5th  |      | 6th  |      |
|                        |        | Addr                 | Data | Addr | Data | Addr | Data | Addr | Data | Addr | Data | Addr | Data |
| Read/Reset             | 1      | X                    | F0   |      |      |      |      |      |      |      |      |      |      |
|                        | 3      | 555                  | AA   | 2AA  | 55   | X    | F0   |      |      |      |      |      |      |
| Auto Select            | 3      | 555                  | AA   | 2AA  | 55   | 555  | 90   |      |      |      |      |      |      |
| Program                | 4      | 555                  | AA   | 2AA  | 55   | 555  | A0   | PA   | PD   |      |      |      |      |
| Double Word Program    | 3      | 555                  | 50   | PA0  | PD0  | PA1  | PD1  |      |      |      |      |      |      |
| Quadruple Word Program | 5      | 555                  | 56   | PA0  | PD0  | PA1  | PD1  | PA2  | PD2  | PA3  | PD3  |      |      |
| Unlock Bypass          | 3      | 555                  | AA   | 2AA  | 55   | 555  | 20   |      |      |      |      |      |      |
| Unlock Bypass Program  | 2      | X                    | A0   | PA   | PD   |      |      |      |      |      |      |      |      |
| Unlock Bypass Reset    | 2      | X                    | 90   | X    | 00   |      |      |      |      |      |      |      |      |
| Chip Erase             | 6      | 555                  | AA   | 2AA  | 55   | 555  | 80   | 555  | AA   | 2AA  | 55   | 555  | 10   |
| Block Erase            | 6+     | 555                  | AA   | 2AA  | 55   | 555  | 80   | 555  | AA   | 2AA  | 55   | BA   | 30   |
| Program/Erase Suspend  | 1      | X                    | B0   |      |      |      |      |      |      |      |      |      |      |
| Program/Erase Resume   | 1      | X                    | 30   |      |      |      |      |      |      |      |      |      |      |
| Read CFI Query         | 1      | 55                   | 98   |      |      |      |      |      |      |      |      |      |      |
| Enter Extended Block   | 3      | 555                  | AA   | 2AA  | 55   | 555  | 88   |      |      |      |      |      |      |
| Exit Extended Block    | 4      | 555                  | AA   | 2AA  | 55   | 555  | 90   | X    | 00   |      |      |      |      |

1. X Don't Care, PA Program Address, PD Program Data, BA Any address in the Block. All values in the table are in hexadecimal. The Command interface only uses A-1, A0-A10 and DQ0-DQ7 to verify the commands; A11-A20, DQ8-DQ14 and DQ15 are Don't Care. DQ15A-1 is A-1 when  $\overline{\text{BYTE}}$  is  $V_{IL}$  or DQ15 when  $\overline{\text{BYTE}}$  is  $V_{IH}$ .

Table 7. Commands, 8-bit mode,  $\overline{\text{BYTE}} = V_{\text{IL}}$

| Command                | Length | Bus Write operations <sup>(1)</sup> |      |     |      |     |      |     |      |     |      |     |      |     |      |     |      |     |      |
|------------------------|--------|-------------------------------------|------|-----|------|-----|------|-----|------|-----|------|-----|------|-----|------|-----|------|-----|------|
|                        |        | 1st                                 |      | 2nd |      | 3rd |      | 4th |      | 5th |      | 6th |      | 7th |      | 8th |      | 9th |      |
|                        |        | Add                                 | Data | Add | Data | Add | Data | Add | Data | Add | Data | Add | Data | Add | Data | Add | Data | Add | Data |
| Read/Reset             | 1      | X                                   | F0   |     |      |     |      |     |      |     |      |     |      |     |      |     |      |     |      |
|                        | 3      | AAA                                 | AA   | 555 | 55   | X   | F0   |     |      |     |      |     |      |     |      |     |      |     |      |
| Auto Select            | 3      | AAA                                 | AA   | 555 | 55   | AAA | 90   |     |      |     |      |     |      |     |      |     |      |     |      |
| Program                | 4      | AAA                                 | AA   | 555 | 55   | AAA | A0   | PA  | PD   |     |      |     |      |     |      |     |      |     |      |
| Double Byte Program    | 3      | AAA                                 | 50   | PA0 | PD0  | PA1 | PD1  |     |      |     |      |     |      |     |      |     |      |     |      |
| Quadruple Byte Program | 5      | AAA                                 | 56   | PA0 | PD0  | PA1 | PD1  | PA2 | PD2  | PA3 | PD3  |     |      |     |      |     |      |     |      |
| Octuple Byte Program   | 9      | AAA                                 | 8B   | PA0 | PD0  | PA1 | PD1  | PA2 | PD2  | PA3 | PD3  | PA4 | PD4  | PA5 | PD5  | PA6 | PD6  | PA7 | PD7  |
| Unlock Bypass          | 3      | AAA                                 | AA   | 555 | 55   | AAA | 20   |     |      |     |      |     |      |     |      |     |      |     |      |
| Unlock Bypass Program  | 2      | X                                   | A0   | PA  | PD   |     |      |     |      |     |      |     |      |     |      |     |      |     |      |
| Unlock Bypass Reset    | 2      | X                                   | 90   | X   | 00   |     |      |     |      |     |      |     |      |     |      |     |      |     |      |
| Chip Erase             | 6      | AAA                                 | AA   | 555 | 55   | AAA | 80   | AAA | AA   | 555 | 55   | AAA | 10   |     |      |     |      |     |      |
| Block Erase            | 6+     | AAA                                 | AA   | 555 | 55   | AAA | 80   | AAA | AA   | 555 | 55   | BA  | 30   |     |      |     |      |     |      |
| Program/Erase Suspend  | 1      | X                                   | B0   |     |      |     |      |     |      |     |      |     |      |     |      |     |      |     |      |
| Program/Erase Resume   | 1      | X                                   | 30   |     |      |     |      |     |      |     |      |     |      |     |      |     |      |     |      |
| Read CFI Query         | 1      | AA                                  | 98   |     |      |     |      |     |      |     |      |     |      |     |      |     |      |     |      |
| Enter Extended Block   | 3      | AAA                                 | AA   | 555 | 55   | AAA | 88   |     |      |     |      |     |      |     |      |     |      |     |      |
| Exit Extended Block    | 4      | AAA                                 | AA   | 555 | 55   | AAA | 90   | X   | 00   |     |      |     |      |     |      |     |      |     |      |

1. X Don't Care, PA Program Address, PD Program Data, BA Any address in the Block. All values in the table are in hexadecimal. The Command Interface only uses A-1, A0-A10 and DQ0-DQ7 to verify the commands; A11-A20, DQ8-DQ14 and DQ15 are Don't Care. DQ15A-1 is A-1 when BYTE is  $V_{\text{IL}}$  or DQ15 when BYTE is  $V_{\text{IH}}$ .

**Table 8. Program, Erase times and Program, Erase Endurance cycles**

| Parameter  | Min     | Typ <sup>(1)(2)</sup> | Max <sup>(2)</sup> | Unit   |
|--|---------|-----------------------|--------------------|--------|
| Chip Erase   |         | 80                    | 400 <sup>(3)</sup> | s      |
| Block Erase (64 KBytes)                            |         | 0.8                   | 6 <sup>(4)</sup>   | s      |
| Erase Suspend Latency time                         |         |                       | 50 <sup>(4)</sup>  | µs     |
| Program (Byte or Word)                             |         | 10                    | 200 <sup>(3)</sup> | µs     |
| Double Byte  |         | 10                    | 200 <sup>(3)</sup> | µs     |
| Double Word /Quadruple Byte Program                |         | 10                    | 200 <sup>(3)</sup> | µs     |
| Quadruple Word / Octuple Byte Program              |         | 10                    | 200 <sup>(3)</sup> | µs     |
| Chip Program (Byte by Byte)                        |         | 80                    | 400 <sup>(3)</sup> | s      |
| Chip Program (Word by Word)                        |         | 40                    | 200 <sup>(3)</sup> | s      |
| Chip Program (Double Word/Quadruple Byte Program)  |         | 20                    | 100 <sup>(3)</sup> | s      |
| Chip Program (Quadruple Word/Octuple Byte Program) |         | 10                    | 50 <sup>(3)</sup>  | s      |
| Program Suspend Latency time                       |         |                       | 4                  | µs     |
| Program/Erase Cycles (per Block)                   | 100,000 |                       |                    | cycles |
| Data Retention                                     | 20      |                       |                    | years  |

1. Typical values measured at room temperature and nominal voltages.
2. Sampled, but not 100% tested.
3. Maximum value measured at worst case conditions for both temperature and  $V_{CC}$  after 100,00 program/erase cycles.
4. Maximum value measured at worst case conditions for both temperature and  $V_{CC}$ .

## 5 Status Register

Bus Read operations from any address always read the Status Register during Program and Erase operations. It is also read during Erase Suspend when an address within a block being erased is accessed.

The bits in the Status Register are summarized in [Table 9: Status Register Bits](#).

### 5.1 Data Polling Bit (DQ7)

The Data Polling Bit can be used to identify whether the Program/Erase Controller has successfully completed its operation or if it has responded to an Erase Suspend. The Data Polling Bit is output on DQ7 when the Status Register is read.

During Program operations the Data Polling Bit outputs the complement of the bit being programmed to DQ7. After successful completion of the Program operation the memory returns to Read mode and Bus Read operations from the address just programmed output DQ7, not its complement.

During Erase operations the Data Polling Bit outputs '0', the complement of the erased state of DQ7. After successful completion of the Erase operation the memory returns to Read Mode.

In Erase Suspend mode the Data Polling Bit will output a '1' during a Bus Read operation within a block being erased. The Data Polling Bit will change from a '0' to a '1' when the Program/Erase Controller has suspended the Erase operation.

[Figure 4: Data Polling flowchart](#), gives an example of how to use the Data Polling Bit. A Valid Address is the address being programmed or an address within the block being erased.

### 5.2 Toggle Bit (DQ6)

The Toggle Bit can be used to identify whether the Program/Erase Controller has successfully completed its operation or if it has responded to an Erase Suspend. The Toggle Bit is output on DQ6 when the Status Register is read.

During Program and Erase operations the Toggle Bit changes from '0' to '1' to '0', etc., with successive Bus Read operations at any address. After successful completion of the operation the memory returns to Read mode.

During Erase Suspend mode the Toggle Bit will output when addressing a cell within a block being erased. The Toggle Bit will stop toggling when the Program/Erase Controller has suspended the Erase operation.

[Figure 5: Data Toggle flowchart](#), gives an example of how to use the Data Toggle Bit.

### 5.3 Error Bit (DQ5)

The Error Bit can be used to identify errors detected by the Program/Erase Controller. The Error Bit is set to '1' when a Program, Block Erase or Chip Erase operation fails to write the correct data to the memory. If the Error Bit is set a Read/Reset command must be issued before other commands are issued. The Error bit is output on DQ5 when the Status Register is read.

Note that the Program command cannot change a bit set to '0' back to '1' and attempting to do so will set DQ5 to '1'. A Bus Read operation to that address will show the bit is still '0'. One of the Erase commands must be used to set all the bits in a block or in the whole memory from '0' to '1'.

### 5.4 Erase Timer Bit (DQ3)

The Erase Timer Bit can be used to identify the start of Program/Erase Controller operation during a Block Erase command. Once the Program/Erase Controller starts erasing the Erase Timer Bit is set to '1'. Before the Program/Erase Controller starts the Erase Timer Bit is set to '0' and additional blocks to be erased may be written to the Command Interface. The Erase Timer Bit is output on DQ3 when the Status Register is read.

### 5.5 Alternative Toggle Bit (DQ2)

The Alternative Toggle Bit can be used to monitor the Program/Erase controller during Erase operations. The Alternative Toggle Bit is output on DQ2 when the Status Register is read.

During Chip Erase and Block Erase operations the Toggle Bit changes from '0' to '1' to '0', etc., with successive Bus Read operations from addresses within the blocks being erased. A protected block is treated the same as a block not being erased. Once the operation completes the memory returns to Read mode.

During Erase Suspend the Alternative Toggle Bit changes from '0' to '1' to '0', etc. with successive Bus Read operations from addresses within the blocks being erased. Bus Read operations to addresses within blocks not being erased will output the memory cell data as if in Read mode.

After an Erase operation that causes the Error Bit to be set the Alternative Toggle Bit can be used to identify which block or blocks have caused the error. The Alternative Toggle Bit changes from '0' to '1' to '0', etc. with successive Bus Read Operations from addresses within blocks that have not erased correctly. The Alternative Toggle Bit does not change if the addressed block has erased correctly.

**Table 9. Status Register Bits<sup>(1)</sup>**

| Operation                    | Address              | DQ7                 | DQ6       | DQ5 | DQ3 | DQ2       | R $\bar{B}$ |
|------------------------------|----------------------|---------------------|-----------|-----|-----|-----------|-------------|
| Program                      | Any address          | $\overline{DQ7}$    | Toggle    | 0   | –   | –         | 0           |
| Program During Erase Suspend | Any address          | $\overline{DQ7}$    | Toggle    | 0   | –   | –         | 0           |
| Program Error                | Any address          | $\overline{DQ7}$    | Toggle    | 1   | –   | –         | Hi-Z        |
| Chip Erase                   | Any address          | 0                   | Toggle    | 0   | 1   | Toggle    | 0           |
| Block Erase before timeout   | Erasing Block        | 0                   | Toggle    | 0   | 0   | Toggle    | 0           |
|                              | Non-Erasing Block    | 0                   | Toggle    | 0   | 0   | No Toggle | 0           |
| Block Erase                  | Erasing Block        | 0                   | Toggle    | 0   | 1   | Toggle    | 0           |
|                              | Non-Erasing Block    | 0                   | Toggle    | 0   | 1   | No Toggle | 0           |
| Erase Suspend                | Erasing Block        | 1                   | No Toggle | 0   | –   | Toggle    | Hi-Z        |
|                              | Non-Erasing Block    | Data read as normal |           |     |     |           |             |
| Erase Error                  | Good Block address   | 0                   | Toggle    | 1   | 1   | No Toggle | Hi-Z        |
|                              | Faulty Block address | 0                   | Toggle    | 1   | 1   | Toggle    | Hi-Z        |

1. Unspecified data bits should be ignored.

**Figure 4. Data Polling flowchart**

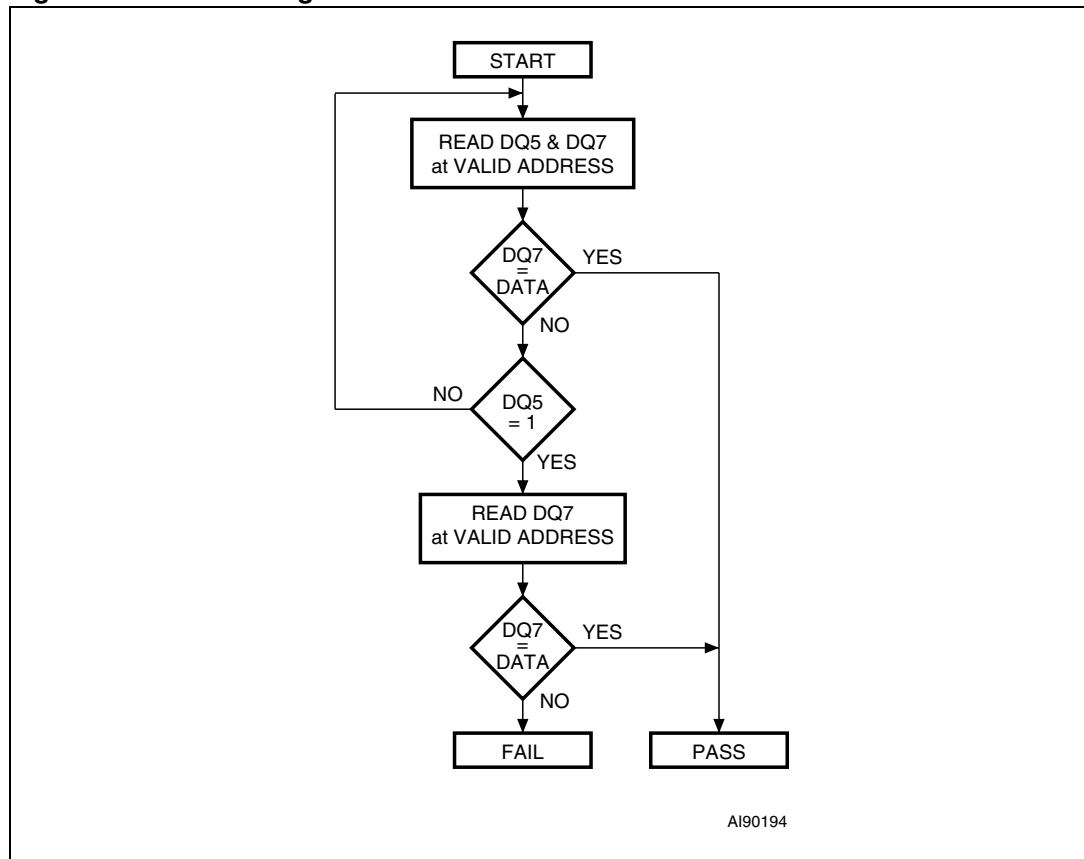
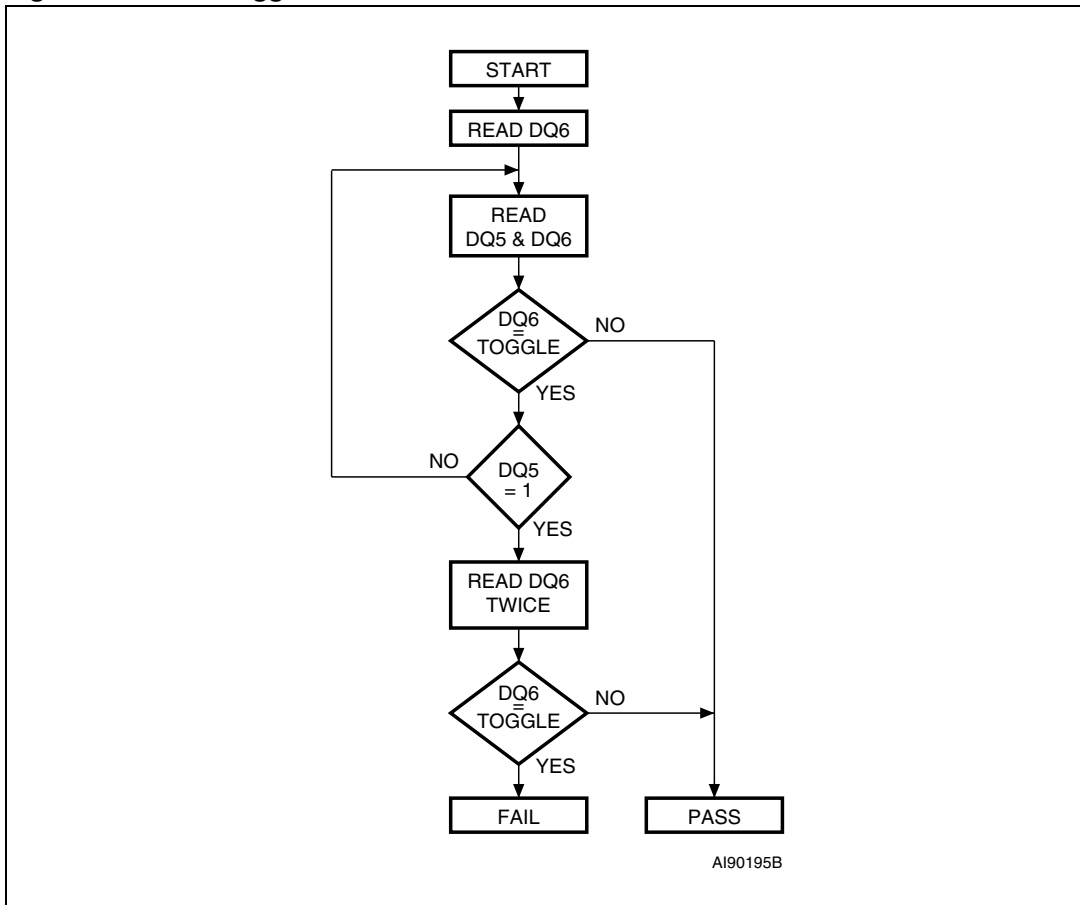




Figure 5. Data Toggle flowchart



## 6 Maximum rating

Stressing the device above the rating listed in the Absolute Maximum Ratings table may cause permanent damage to the device. Exposure to Absolute Maximum Rating conditions for extended periods may affect device reliability. These are stress ratings only and operation of the device at these or any other conditions above those indicated in the Operating sections of this specification is not implied. Refer also to the STMicroelectronics SURE Program and other relevant quality documents.

**Table 10. Absolute maximum ratings**

| Symbol         | Parameter                                 | Min  | Max            | Unit |
|----------------|---|------|----------------|------|
| $T_{BIAS}$     | Temperature under bias                    | -50  | 125            | °C   |
| $T_{STG}$      | Storage temperature                       | -65  | 150            | °C   |
| $V_{IO}$       | Input or Output voltage <sup>(1)(2)</sup> | -0.6 | $V_{CC} + 0.6$ | V    |
| $V_{CC}$       | Supply voltage                            | -0.6 | 4              | V    |
| $V_{ID}$       | Identification voltage                    | -0.6 | 13.5           | V    |
| $V_{PP}^{(3)}$ | Program voltage                           | -0.6 | 13.5           | V    |

1. Minimum voltage may undershoot to -2V during transition and for less than 20ns during transitions.
2. Maximum voltage may overshoot to  $V_{CC} + 2V$  during transition and for less than 20ns during transitions.
3.  $V_{PP}$  must not remain at 12V for more than a total of 80hrs.

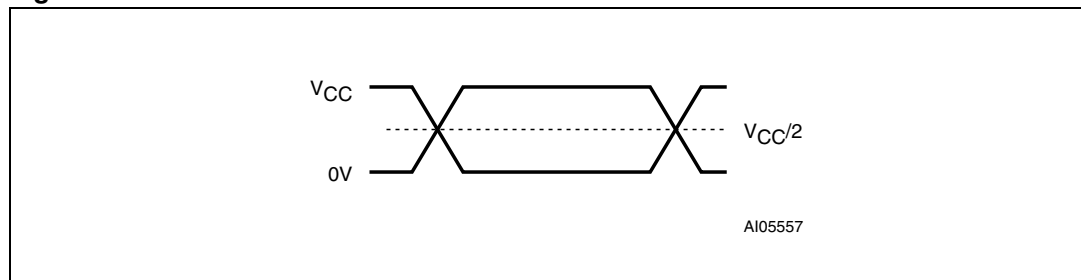
## 7 DC and AC parameters

This section summarizes the operating and measurement conditions, and the DC and AC characteristics of the device. The parameters in the DC and AC Characteristic tables that follow are derived from tests performed under the Measurement Conditions summarized in the relevant tables. Designers should check that the operating conditions in their circuit match the measurement conditions when relying on the quoted parameters.

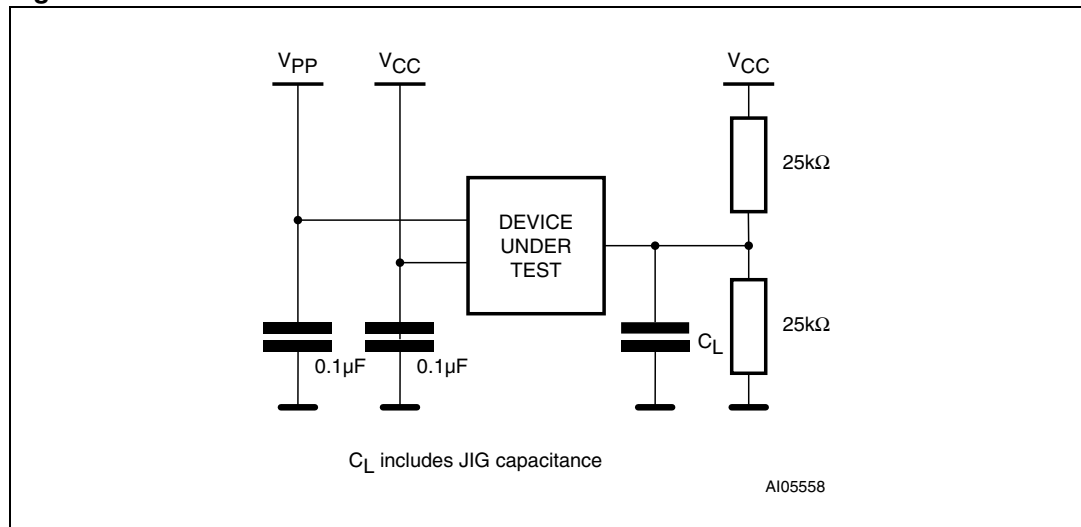
**Table 11. Operating and AC measurement conditions**

| Parameter                             | M29W640FT, M29W640FB |     | Unit |
|---------------------------------------|----------------------|-----|------|
|                                       | Min                  | Max |      |
| V <sub>CC</sub> Supply voltage        | 2.7                  | 3.6 | V    |
| Ambient Operating Temperature         | -40                  | 85  | °C   |
| Load capacitance (C <sub>L</sub> )    | 30                   |     | pF   |
| Input Rise and Fall times             |                      | 10  | ns   |
| Input Pulse voltages                  | 0 to V <sub>CC</sub> |     | V    |
| Input and Output Timing Ref. voltages | V <sub>CC</sub> /2   |     | V    |

**Figure 6. AC measurement I/O waveform**



**Figure 7. AC measurement Load Circuit**



**Table 12. Device capacitance**

| Symbol    | Parameter          | Test condition | Min | Max | Unit |
|-----------|--------------------|----------------|-----|-----|------|
| $C_{IN}$  | Input capacitance  | $V_{IN} = 0V$  |     | 6   | pF   |
| $C_{OUT}$ | Output capacitance | $V_{OUT} = 0V$ |     | 12  | pF   |

1. Sampled only, not 100% tested.

**Table 13. DC characteristics**

| Symbol          | Parameter  | Test condition   | Min   | Max            | Unit    |
|-----------------|--|--|---|----------------|---------|
| $I_{LI}$        | Input Leakage Current                              | $0V \leq V_{IN} \leq V_{CC}$                                 |   | $\pm 1$        | $\mu A$ |
| $I_{LO}$        | Output Leakage Current                             | $0V \leq V_{OUT} \leq V_{CC}$                                |   | $\pm 1$        | $\mu A$ |
| $I_{CC1}$       | Supply Current (Read)                              | $\bar{E} = V_{IL}, \bar{G} = V_{IH},$<br>$f = 6MHz$          |   | 10             | mA      |
| $I_{CC2}$       | Supply Current (Standby)                           | $\bar{E} = V_{CC} \pm 0.2V,$<br>$\bar{RP} = V_{CC} \pm 0.2V$ |   | 100            | $\mu A$ |
| $I_{CC3}$       | Supply Current (Program/Erase)                     | Program/Erase Controller active                              | $V_{PP}/\bar{WP} = V_{IL} \text{ or } V_{IH}$ | 20             | mA      |
|                 |  |  | $V_{PP}/\bar{WP} = V_{PP}$                    | 20             | mA      |
| $V_{IL}$        | Input Low voltage                                  |  | -0.5  | 0.8            | V       |
| $V_{IH}$        | Input High voltage                                 |  | $0.7V_{CC}$                                   | $V_{CC} + 0.3$ | V       |
| $V_{PP}$        | Voltage for $V_{PP}/\bar{WP}$ Program Acceleration | $V_{CC} = 2.7V \pm 10\%$                                     | 11.5  | 12.5           | V       |
| $I_{PP}$        | Current for $V_{PP}/\bar{WP}$ Program Acceleration | $V_{CC} = 2.7V \pm 10\%$                                     |   | 15             | mA      |
| $V_{OL}$        | Output Low voltage                                 | $I_{OL} = 1.8mA$   |   | 0.45           | V       |
| $V_{OH}$        | Output High voltage                                | $I_{OH} = -100\mu A$   | $V_{CC} - 0.4$                                |                | V       |
| $V_{ID}$        | Identification voltage                             |  | 11.5  | 12.5           | V       |
| $V_{LKO}^{(1)}$ | Program/Erase Lockout Supply voltage               |  | 1.8   | 2.3            | V       |

1. Sampled only, not 100% tested.

Figure 8. Read Mode AC waveforms

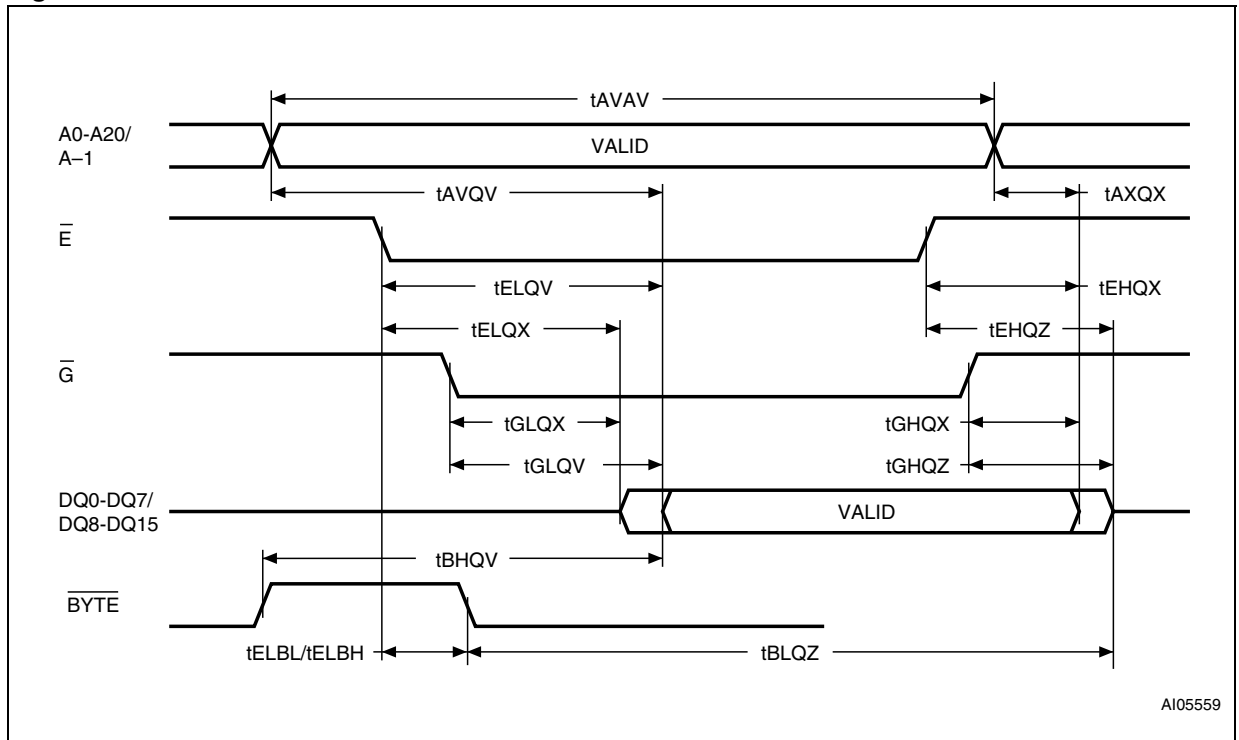


Figure 9. Page Read AC waveforms

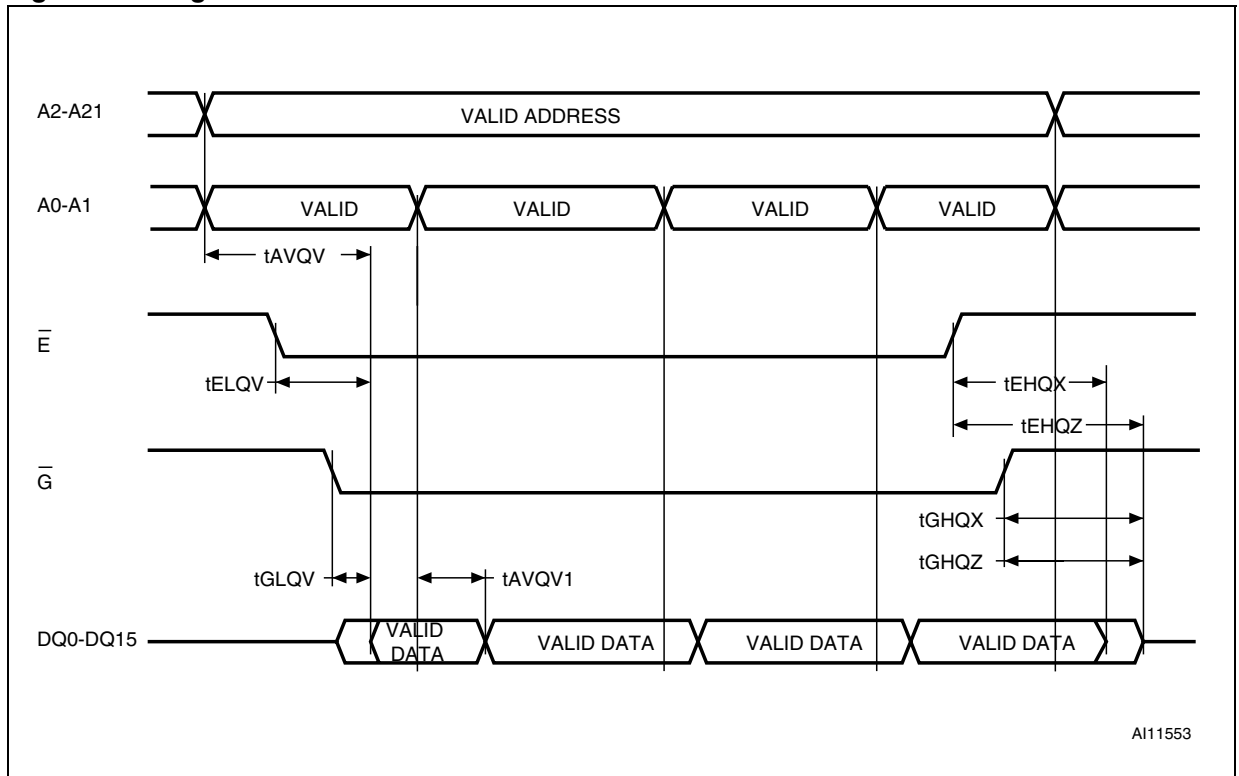


Table 14. Read AC characteristics

| Symbol                                 | Alt                      | Parameter   | Test condition                                      |     | M29W640FT,<br>M29W640FB |    | Unit |
|--|--------------------------|---|---|-----|-------------------------|----|------|
|  |                          |   |   |     | 60                      | 70 |      |
| $t_{AVAV}$                             | $t_{RC}$                 | Address Valid to Next Address Valid                                   | $\overline{E} = V_{IL},$<br>$\overline{G} = V_{IL}$ | Min | 60                      | 70 | ns   |
| $t_{AVQV}$                             | $t_{ACC}$                | Address Valid to Output Valid   | $\overline{E} = V_{IL},$<br>$\overline{G} = V_{IL}$ | Max | 60                      | 70 | ns   |
| $t_{AVQV1}$                            | $t_{PAGE}$               | Address Valid to Output Valid (Page)                                  | $\overline{E} = V_{IL},$<br>$\overline{G} = V_{IL}$ | Max | 25                      | 25 | ns   |
| $t_{ELQX}^{(1)}$                       | $t_{LZ}$                 | Chip Enable Low to Output Transition                                  | $\overline{G} = V_{IL}$                             | Min | 0                       | 0  | ns   |
| $t_{ELQV}$                             | $t_{CE}$                 | Chip Enable Low to Output Valid                                       | $\overline{G} = V_{IL}$                             | Max | 60                      | 70 | ns   |
| $t_{GLQX}^{(1)}$                       | $t_{OLZ}$                | Output Enable Low to Output Transition                                | $\overline{E} = V_{IL}$                             | Min | 0                       | 0  | ns   |
| $t_{GLQV}$                             | $t_{OE}$                 | Output Enable Low to Output Valid                                     | $\overline{E} = V_{IL}$                             | Max | 25                      | 25 | ns   |
| $t_{EHQZ}^{(1)}$                       | $t_{HZ}$                 | Chip Enable High to Output Hi-Z                                       | $\overline{G} = V_{IL}$                             | Max | 25                      | 25 | ns   |
| $t_{GHQZ}^{(1)}$                       | $t_{DF}$                 | Output Enable High to Output Hi-Z                                     | $\overline{E} = V_{IL}$                             | Max | 25                      | 25 | ns   |
| $t_{EHQX}$<br>$t_{GHQX}$<br>$t_{AXQX}$ | $t_{OH}$                 | Chip Enable, Output Enable or Address Transition to Output Transition |   | Min | 0                       | 0  | ns   |
| $t_{ELBL}$<br>$t_{ELBH}$               | $t_{ELFL}$<br>$t_{ELFH}$ | Chip Enable to $\overline{BYTE}$ Low or High                          |   | Max | 5                       | 5  | ns   |
| $t_{BLQZ}$                             | $t_{FLQZ}$               | $\overline{BYTE}$ Low to Output Hi-Z                                  |   | Max | 25                      | 25 | ns   |
| $t_{BHQV}$                             | $t_{FHQV}$               | $\overline{BYTE}$ High to Output Valid                                |   | Max | 30                      | 30 | ns   |

1. Sampled only, not 100% tested.

Figure 10. Write AC waveforms, Write Enable controlled

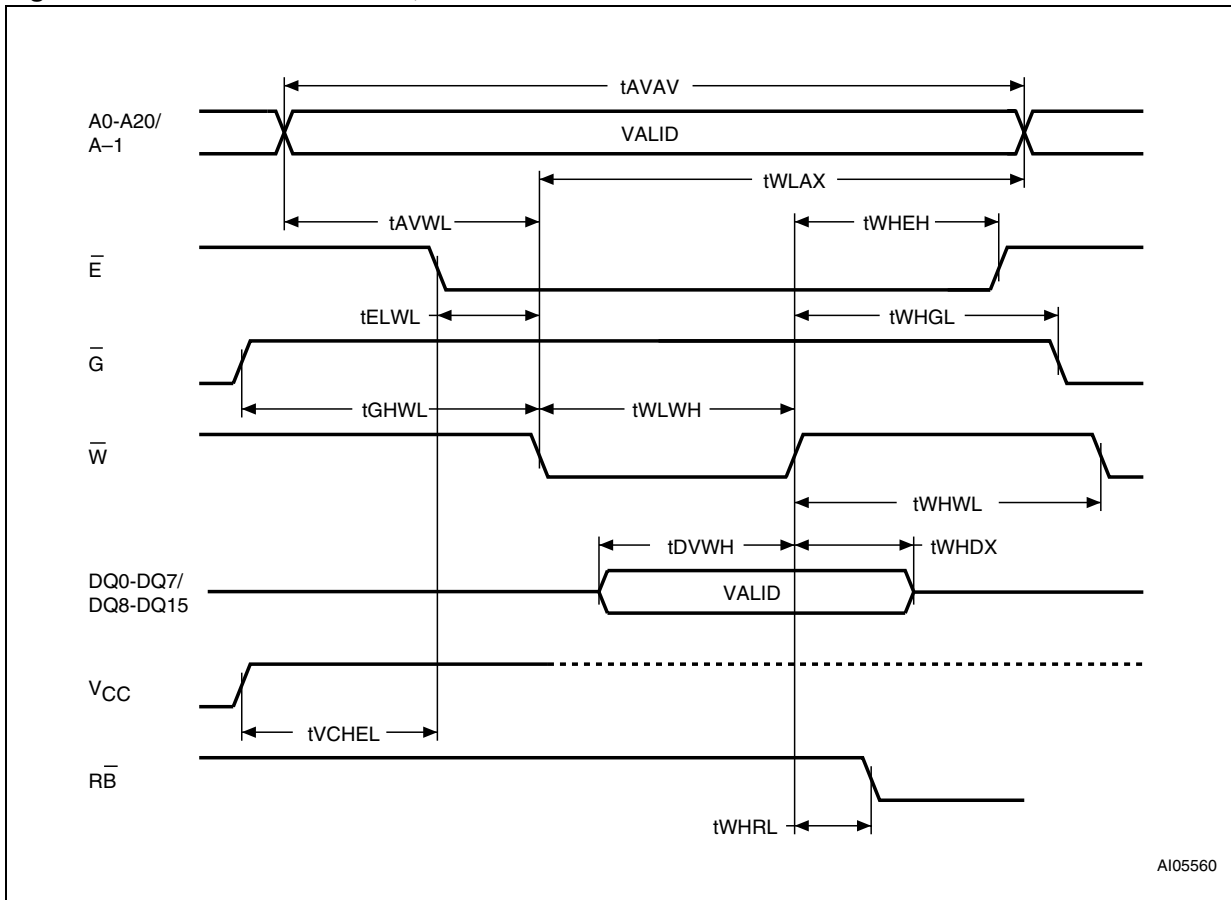


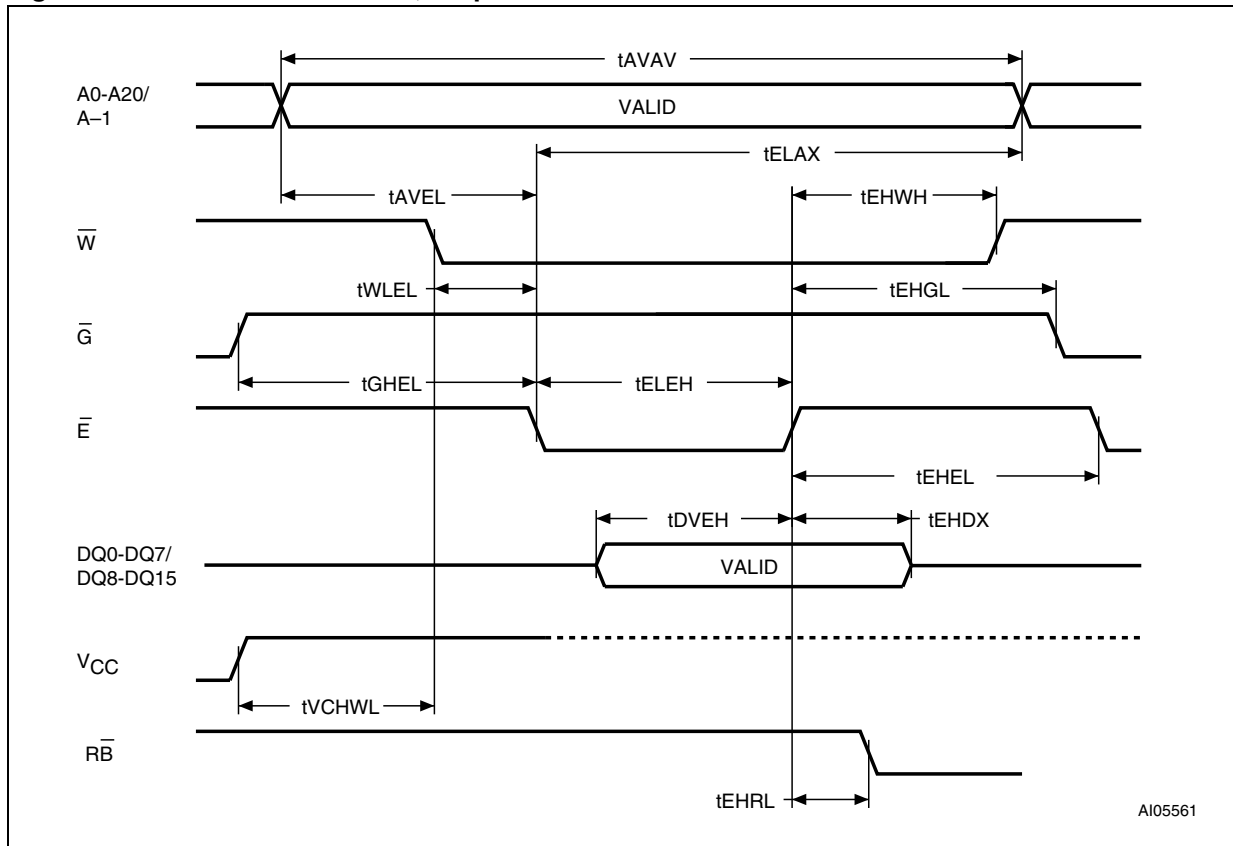
Table 15. Write AC characteristics, Write Enable controlled

| Symbol           | Alt        | Parameter                                  |     | M29W640FT,<br>M29W640FB |    | Unit    |
|------------------|------------|--|-----|-------------------------|----|---------|
|                  |            |  |     | 60                      | 70 |         |
| $t_{AVAV}$       | $t_{WC}$   | Address Valid to Next Address Valid        | Min | 60                      | 70 | ns      |
| $t_{ELWL}$       | $t_{CS}$   | Chip Enable Low to Write Enable Low        | Min | 0                       | 0  | ns      |
| $t_{WLWH}$       | $t_{WP}$   | Write Enable Low to Write Enable High      | Min | 45                      | 45 | ns      |
| $t_{DVWH}$       | $t_{DS}$   | Input Valid to Write Enable High           | Min | 45                      | 45 | ns      |
| $t_{WHDX}$       | $t_{DH}$   | Write Enable High to Input Transition      | Min | 0                       | 0  | ns      |
| $t_{WHEH}$       | $t_{CH}$   | Write Enable High to Chip Enable High      | Min | 0                       | 0  | ns      |
| $t_{WHWL}$       | $t_{WPH}$  | Write Enable High to Write Enable Low      | Min | 30                      | 30 | ns      |
| $t_{AVWL}$       | $t_{AS}$   | Address Valid to Write Enable Low          | Min | 0                       | 0  | ns      |
| $t_{WLAX}$       | $t_{AH}$   | Write Enable Low to Address Transition     | Min | 45                      | 45 | ns      |
| $t_{GHWL}$       |            | Output Enable High to Write Enable Low     | Min | 0                       | 0  | ns      |
| $t_{WHGL}$       | $t_{OEH}$  | Write Enable High to Output Enable Low     | Min | 0                       | 0  | ns      |
| $t_{WHRL}^{(1)}$ | $t_{BUSY}$ | Program/Erase Valid to $\overline{RB}$ Low | Max | 30                      | 30 | ns      |
| $t_{VCHEL}$      | $t_{VCS}$  | $V_{CC}$ High to Chip Enable Low           | Min | 50                      | 50 | $\mu$ s |

1. Sampled only, not 100% tested.



Figure 11. Write AC waveforms, Chip Enable controlled



**Table 16. Write AC characteristics, Chip Enable controlled**

| Symbol           | Alt        | Parameter                             |     | M29W640FT, M29W640FB |    | Unit    |
|------------------|------------|---------------------------------------|-----|----------------------|----|---------|
|                  |            |                                       |     | 60                   | 70 |         |
| $t_{AVAV}$       | $t_{WC}$   | Address Valid to Next Address Valid   | Min | 60                   | 70 | ns      |
| $t_{WLEL}$       | $t_{WS}$   | Write Enable Low to Chip Enable Low   | Min | 0                    | 0  | ns      |
| $t_{ELEH}$       | $t_{CP}$   | Chip Enable Low to Chip Enable High   | Min | 45                   | 45 | ns      |
| $t_{DVEH}$       | $t_{DS}$   | Input Valid to Chip Enable High       | Min | 45                   | 45 | ns      |
| $t_{EHDX}$       | $t_{DH}$   | Chip Enable High to Input Transition  | Min | 0                    | 0  | ns      |
| $t_{EHWL}$       | $t_{WH}$   | Chip Enable High to Write Enable High | Min | 0                    | 0  | ns      |
| $t_{EHEL}$       | $t_{CPH}$  | Chip Enable High to Chip Enable Low   | Min | 30                   | 30 | ns      |
| $t_{AVEL}$       | $t_{AS}$   | Address Valid to Chip Enable Low      | Min | 0                    | 0  | ns      |
| $t_{ELAX}$       | $t_{AH}$   | Chip Enable Low to Address Transition | Min | 45                   | 45 | ns      |
| $t_{GHEL}$       |            | Output Enable High Chip Enable Low    | Min | 0                    | 0  | ns      |
| $t_{EHGL}$       | $t_{OEHL}$ | Chip Enable High to Output Enable Low | Min | 0                    | 0  | ns      |
| $t_{EHRL}^{(1)}$ | $t_{BUSY}$ | Program/Erase Valid to $R\bar{B}$ Low | Max | 30                   | 30 | ns      |
| $t_{VCHWL}$      | $t_{VCS}$  | $V_{CC}$ High to Write Enable Low     | Min | 50                   | 50 | $\mu$ s |

1. Sampled only, not 100% tested.

**Figure 12. Reset/Block Temporary Unprotect AC waveforms**

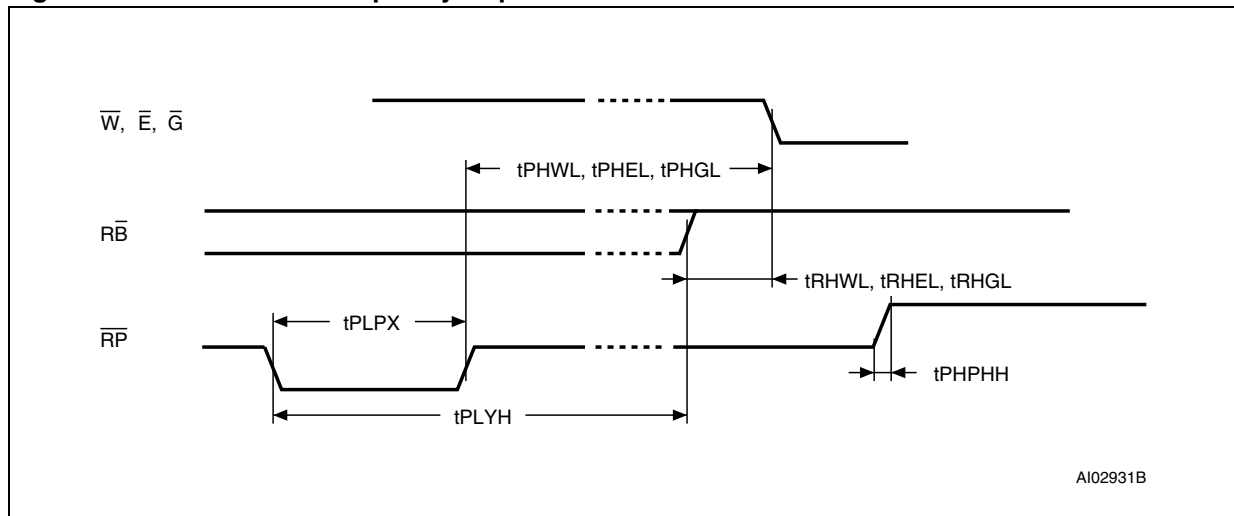


Figure 13. Accelerated Program Timing waveforms

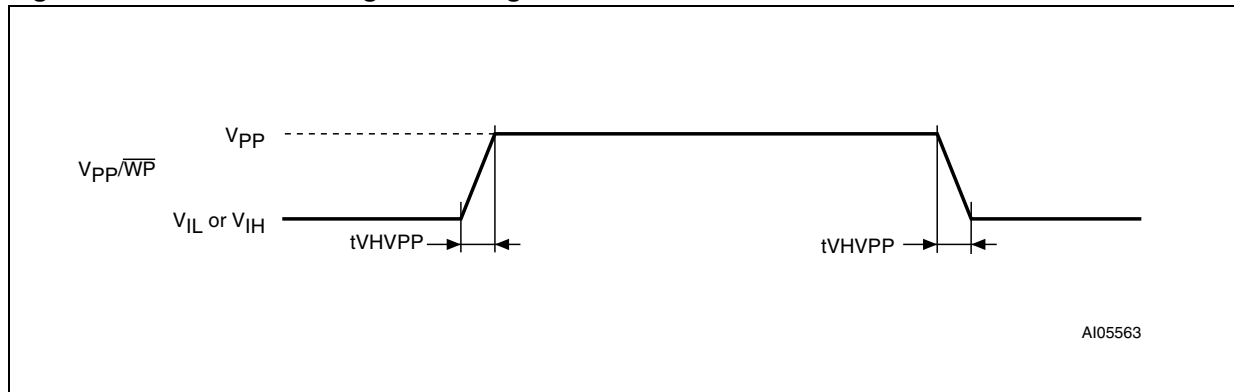


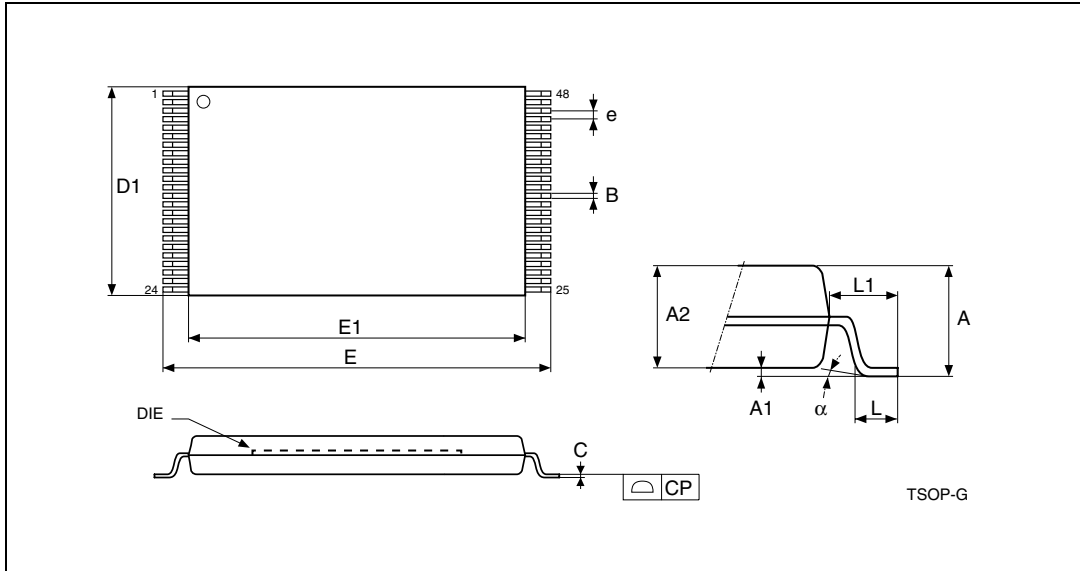
Table 17. Reset/Block Temporary Unprotect AC characteristics

| Symbol   | Alt         | Parameter  |     | M29W640FT, M29W640FB | Unit    |
|--|-------------|--|-----|----------------------|---------|
| $t_{PHWL}^{(1)}$<br>$t_{PHEL}^{(1)}$<br>$t_{PHGL}^{(1)}$ | $t_{RH}$    | $\overline{RP}$ High to Write Enable Low, Chip Enable Low, Output Enable Low | Min | 50                   | ns      |
| $t_{RHWL}^{(1)}$<br>$t_{RHEL}^{(1)}$<br>$t_{RHGL}^{(1)}$ | $t_{RB}$    | $R\overline{B}$ High to Write Enable Low, Chip Enable Low, Output Enable Low | Min | 0                    | ns      |
| $t_{PLPX}$   | $t_{RP}$    | $\overline{RP}$ Pulse Width  | Min | 500                  | ns      |
| $t_{PLYH}$   | $t_{READY}$ | $\overline{RP}$ Low to Read mode   | Max | 50                   | $\mu s$ |
| $t_{PHPHH}^{(1)}$  | $t_{VIDR}$  | $\overline{RP}$ Rise Time to $V_{ID}$  | Min | 500                  | ns      |
| $t_{VHVPP}^{(1)}$  |             | $V_{PP}$ Rise and Fall Time  | Min | 250                  | ns      |

1. Sampled only, not 100% tested.

## 8 Package mechanical

Figure 14. TSOP48 – 48 lead Plastic Thin Small Outline, 12 x 20mm, top view package outline

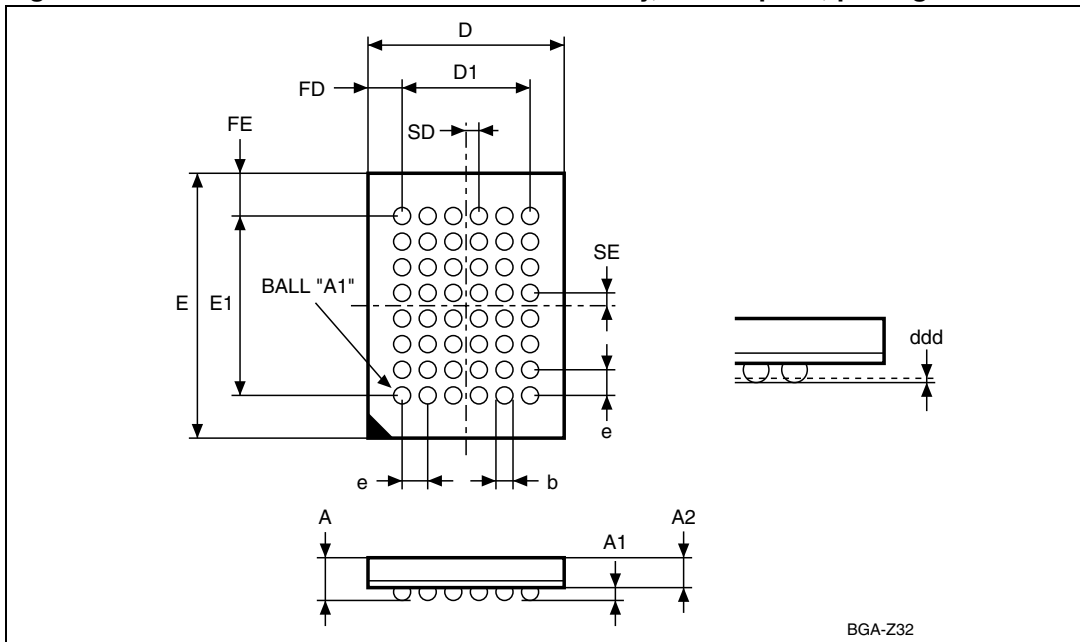


1. Drawing is not to scale.

Table 18. TSOP48 – 48 lead Plastic Thin Small Outline, 12 x 20mm, package mechanical data

| Symbol | millimeters |        |        | inches |        |        |
|--------|-------------|--------|--------|--------|--------|--------|
|        | Typ         | Min    | Max    | Typ    | Min    | Max    |
| A      |             |        | 1.200  |        |        | 0.0472 |
| A1     | 0.100       | 0.050  | 0.150  | 0.0039 | 0.0020 | 0.0059 |
| A2     | 1.000       | 0.950  | 1.050  | 0.0394 | 0.0374 | 0.0413 |
| B      | 0.220       | 0.170  | 0.270  | 0.0087 | 0.0067 | 0.0106 |
| C      |             | 0.100  | 0.210  |        | 0.0039 | 0.0083 |
| CP     |             |        | 0.100  |        |        | 0.0039 |
| D1     | 12.000      | 11.900 | 12.100 | 0.4724 | 0.4685 | 0.4764 |
| E      | 20.000      | 19.800 | 20.200 | 0.7874 | 0.7795 | 0.7953 |
| E1     | 18.400      | 18.300 | 18.500 | 0.7244 | 0.7205 | 0.7283 |
| e      | 0.500       | –      | –      | 0.0197 | –      | –      |
| L      | 0.600       | 0.500  | 0.700  | 0.0236 | 0.0197 | 0.0276 |
| L1     | 0.800       |        |        | 0.0315 |        |        |
| α      | 3°          | 0°     | 5°     | 3°     | 0°     | 5°     |

Figure 15. TFBGA48 6x8mm - 6x8 active ball array, 0.8mm pitch, package outline



1. Drawing is not to scale.

Table 19. TFBGA48 6x8mm - 6x8 active ball array, 0.8mm pitch, package mechanical data

| Symbol | millimeters |       |       | inches |        |        |
|--------|-------------|-------|-------|--------|--------|--------|
|        | Typ         | Min   | Max   | Typ    | Min    | Max    |
| A      |             |       | 1.200 |        |        | 0.0472 |
| A1     |             | 0.260 |       |        | 0.0102 |        |
| A2     |             |       | 0.900 |        |        | 0.0354 |
| b      |             | 0.350 | 0.450 |        | 0.0138 | 0.0177 |
| D      | 6.000       | 5.900 | 6.100 | 0.2362 | 0.2323 | 0.2402 |
| D1     | 4.000       | -     | -     | 0.1575 | -      | -      |
| ddd    |             |       | 0.100 |        |        | 0.0039 |
| E      | 8.000       | 7.900 | 8.100 | 0.3150 | 0.3110 | 0.3189 |
| E1     | 5.600       | -     | -     | 0.2205 | -      | -      |
| e      | 0.800       | -     | -     | 0.0315 | -      | -      |
| FD     | 1.000       | -     | -     | 0.0394 | -      | -      |
| FE     | 1.200       | -     | -     | 0.0472 | -      | -      |
| SD     | 0.400       | -     | -     | 0.0157 | -      | -      |
| SE     | 0.400       | -     | -     | 0.0157 | -      | -      |

## 9 Part numbering

**Table 20. Ordering information scheme**

|  |           |    |   |   |   |
|--|-----------|----|---|---|---|
| Example:   | M29W640FB | 70 | N | 6 | F |
| <b>Device Type</b><br>M29  |           |    |   |   |   |
| <b>Operating Voltage</b><br>W = V <sub>CC</sub> = 2.7 to 3.6V                                      |           |    |   |   |   |
| <b>Device Function</b><br>640F = 64 Mbit (x8 / x16), Boot Block                                    |           |    |   |   |   |
| <b>Array Matrix</b><br>T = Top Boot<br>B = Bottom Boot   |           |    |   |   |   |
| <b>Speed</b><br>60 = 60ns<br>70 = 70ns   |           |    |   |   |   |
| <b>Package</b><br>N = TSOP48: 12 x 20 mm<br>ZA = TFBGA48: 6x8mm, 0.80 mm pitch                     |           |    |   |   |   |
| <b>Temperature Range</b><br>6 = -40 to 85 °C   |           |    |   |   |   |
| <b>Option</b><br>E = ECOPACK Package, Standard Packing<br>F = ECOPACK Package, Tape & Reel Packing |           |    |   |   |   |

*Note: This product is also available with the Extended Block factory locked. For further details and ordering information contact your nearest ST sales office.*

Devices are shipped from the factory with the memory content bits erased to 1. For a list of available options (Speed, Package, etc.) or for further information on any aspect of this device, please contact your nearest ST Sales Office.

## Appendix A Block addresses

Table 21. Top Boot Block addresses, M29W640FT

| Block | KBytes/KWords | Protection Block Group | (x8)                           | (x16)                          |
|-------|---------------|------------------------|--------------------------------|--------------------------------|
| 0     | 64/32         | Protection Group       | 000000h–00FFFFh <sup>(1)</sup> | 000000h–007FFFh <sup>(1)</sup> |
| 1     | 64/32         |                        | 010000h–01FFFFh                | 008000h–00FFFFh                |
| 2     | 64/32         |                        | 020000h–02FFFFh                | 010000h–017FFFh                |
| 3     | 64/32         |                        | 030000h–03FFFFh                | 018000h–01FFFFh                |
| 4     | 64/32         | Protection Group       | 040000h–04FFFFh                | 020000h–027FFFh                |
| 5     | 64/32         |                        | 050000h–05FFFFh                | 028000h–02FFFFh                |
| 6     | 64/32         |                        | 060000h–06FFFFh                | 030000h–037FFFh                |
| 7     | 64/32         |                        | 070000h–07FFFFh                | 038000h–03FFFFh                |
| 8     | 64/32         | Protection Group       | 080000h–08FFFFh                | 040000h–047FFFh                |
| 9     | 64/32         |                        | 090000h–09FFFFh                | 048000h–04FFFFh                |
| 10    | 64/32         |                        | 0A0000h–0AFFFFh                | 050000h–057FFFh                |
| 11    | 64/32         |                        | 0B0000h–0BFFFFh                | 058000h–05FFFFh                |
| 12    | 64/32         | Protection Group       | 0C0000h–0CFFFFh                | 060000h–067FFFh                |
| 13    | 64/32         |                        | 0D0000h–0DFFFFh                | 068000h–06FFFFh                |
| 14    | 64/32         |                        | 0E0000h–0EFFFFh                | 070000h–077FFFh                |
| 15    | 64/32         |                        | 0F0000h–0FFFFFh                | 078000h–07FFFFh                |
| 16    | 64/32         | Protection Group       | 100000h–10FFFFh                | 080000h–087FFFh                |
| 17    | 64/32         |                        | 110000h–11FFFFh                | 088000h–08FFFFh                |
| 18    | 64/32         |                        | 120000h–12FFFFh                | 090000h–097FFFh                |
| 19    | 64/32         |                        | 130000h–13FFFFh                | 098000h–09FFFFh                |
| 20    | 64/32         | Protection Group       | 140000h–14FFFFh                | 0A0000h–0A7FFFh                |
| 21    | 64/32         |                        | 150000h–15FFFFh                | 0A8000h–0AFFFFh                |
| 22    | 64/32         |                        | 160000h–16FFFFh                | 0B0000h–0B7FFFh                |
| 23    | 64/32         |                        | 170000h–17FFFFh                | 0B8000h–0BFFFFh                |
| 24    | 64/32         | Protection Group       | 180000h–18FFFFh                | 0C0000h–0C7FFFh                |
| 25    | 64/32         |                        | 190000h–19FFFFh                | 0C8000h–0CFFFFh                |
| 26    | 64/32         |                        | 1A0000h–1AFFFFh                | 0D0000h–0D7FFFh                |
| 27    | 64/32         |                        | 1B0000h–1BFFFFh                | 0D8000h–0DFFFFh                |
| 28    | 64/32         | Protection Group       | 1C0000h–1CFFFFh                | 0E0000h–0E7FFFh                |
| 29    | 64/32         |                        | 1D0000h–1DFFFFh                | 0E8000h–0EFFFFh                |
| 30    | 64/32         |                        | 1E0000h–1EFFFFh                | 0F0000h–0F7FFFh                |
| 31    | 64/32         |                        | 1F0000h–1FFFFFh                | 0F8000h–0FFFFFh                |

Table 21. Top Boot Block addresses, M29W640FT (continued)

| Block | KBytes/KWords | Protection Block Group | (x8)             | (x16)            |
|-------|---------------|------------------------|------------------|------------------|
| 32    | 64/32         | Protection Group       | 200000h–20FFFFh  | 100000h–107FFFh  |
| 33    | 64/32         |                        | 210000h–21FFFFh  | 108000h–10FFFFh  |
| 34    | 64/32         |                        | 220000h–22FFFFh  | 110000h–117FFFh  |
| 35    | 64/32         |                        | 230000h–23FFFFh  | 118000h–11FFFFh  |
| 36    | 64/32         | Protection Group       | 240000h–24FFFFh  | 120000h–127FFFh  |
| 37    | 64/32         |                        | 250000h–25FFFFh  | 128000h–12FFFFh  |
| 38    | 64/32         |                        | 260000h–26FFFFh  | 130000h–137FFFh  |
| 39    | 64/32         |                        | 270000h–27FFFFh  | 138000h–13FFFFh  |
| 40    | 64/32         | Protection Group       | 280000h–28FFFFh  | 140000h–147FFFh  |
| 41    | 64/32         |                        | 290000h–29FFFFh  | 148000h–14FFFFh  |
| 42    | 64/32         |                        | 2A0000h–2AFFFFh  | 150000h–157FFFh  |
| 43    | 64/32         |                        | 2B0000h–2BFFFFh  | 158000h–15FFFFh  |
| 44    | 64/32         | Protection Group       | 2C0000h–2CFFFFh  | 160000h–167FFFh  |
| 45    | 64/32         |                        | 2D0000h–2DFFFFh  | 168000h–16FFFFh  |
| 46    | 64/32         |                        | 2E0000h–2EFFFFh  | 170000h–177FFFh  |
| 47    | 64/32         |                        | 2F0000h–2FFFFFFh | 178000h–17FFFFh  |
| 48    | 64/32         | Protection Group       | 300000h–30FFFFh  | 180000h–187FFFh  |
| 49    | 64/32         |                        | 310000h–31FFFFh  | 188000h–18FFFFh  |
| 50    | 64/32         |                        | 320000h–32FFFFh  | 190000h–197FFFh  |
| 51    | 64/32         |                        | 330000h–33FFFFh  | 198000h–19FFFFh  |
| 52    | 64/32         | Protection Group       | 340000h–34FFFFh  | 1A0000h–1A7FFFh  |
| 53    | 64/32         |                        | 350000h–35FFFFh  | 1A8000h–1AFFFFh  |
| 54    | 64/32         |                        | 360000h–36FFFFh  | 1B0000h–1B7FFFh  |
| 55    | 64/32         |                        | 370000h–37FFFFh  | 1B8000h–1BFFFFh  |
| 56    | 64/32         | Protection Group       | 380000h–38FFFFh  | 1C0000h–1C7FFFh  |
| 57    | 64/32         |                        | 390000h–39FFFFh  | 1C8000h–1CFFFFh  |
| 58    | 64/32         |                        | 3A0000h–3AFFFFh  | 1D0000h–1D7FFFh  |
| 59    | 64/32         |                        | 3B0000h–3BFFFFh  | 1D8000h–1DFFFFh  |
| 60    | 64/32         | Protection Group       | 3C0000h–3CFFFFh  | 1E0000h–1E7FFFh  |
| 61    | 64/32         |                        | 3D0000h–3DFFFFh  | 1E8000h–1EFFFFh  |
| 62    | 64/32         |                        | 3E0000h–3EFFFFh  | 1F0000h–1F7FFFh  |
| 63    | 64/32         |                        | 3F0000h–3FFFFFFh | 1F8000h–1FFFFFFh |



Table 21. Top Boot Block addresses, M29W640FT (continued)

| Block | KBytes/KWords | Protection Block Group | (x8)             | (x16)            |
|-------|---------------|------------------------|------------------|------------------|
| 64    | 64/32         | Protection Group       | 400000h–40FFFFh  | 200000h–207FFFh  |
| 65    | 64/32         |                        | 410000h–41FFFFh  | 208000h–20FFFFh  |
| 66    | 64/32         |                        | 420000h–42FFFFh  | 210000h–217FFFh  |
| 67    | 64/32         |                        | 430000h–43FFFFh  | 218000h–21FFFFh  |
| 68    | 64/32         | Protection Group       | 440000h–44FFFFh  | 220000h–227FFFh  |
| 69    | 64/32         |                        | 450000h–45FFFFh  | 228000h–22FFFFh  |
| 70    | 64/32         |                        | 460000h–46FFFFh  | 230000h–237FFFh  |
| 71    | 64/32         |                        | 470000h–47FFFFh  | 238000h–23FFFFh  |
| 72    | 64/32         | Protection Group       | 480000h–48FFFFh  | 240000h–247FFFh  |
| 73    | 64/32         |                        | 490000h–49FFFFh  | 248000h–24FFFFh  |
| 74    | 64/32         |                        | 4A0000h–4AFFFFh  | 250000h–257FFFh  |
| 75    | 64/32         |                        | 4B0000h–4BFFFFh  | 258000h–25FFFFh  |
| 76    | 64/32         | Protection Group       | 4C0000h–4CFFFFh  | 260000h–267FFFh  |
| 77    | 64/32         |                        | 4D0000h–4DFFFFh  | 268000h–26FFFFh  |
| 78    | 64/32         |                        | 4E0000h–4EFFFFh  | 270000h–277FFFh  |
| 79    | 64/32         |                        | 4F0000h–4FFFFFFh | 278000h–27FFFFh  |
| 80    | 64/32         | Protection Group       | 500000h–50FFFFh  | 280000h–287FFFh  |
| 81    | 64/32         |                        | 510000h–51FFFFh  | 288000h–28FFFFh  |
| 82    | 64/32         |                        | 520000h–52FFFFh  | 290000h–297FFFh  |
| 83    | 64/32         |                        | 530000h–53FFFFh  | 298000h–29FFFFh  |
| 84    | 64/32         | Protection Group       | 540000h–54FFFFh  | 2A0000h–2A7FFFh  |
| 85    | 64/32         |                        | 550000h–55FFFFh  | 2A8000h–2AFFFFh  |
| 86    | 64/32         |                        | 560000h–56FFFFh  | 2B0000h–2B7FFFh  |
| 87    | 64/32         |                        | 570000h–57FFFFh  | 2B8000h–2BFFFFh  |
| 88    | 64/32         | Protection Group       | 580000h–58FFFFh  | 2C0000h–2C7FFFh  |
| 89    | 64/32         |                        | 590000h–59FFFFh  | 2C8000h–2CFFFFh  |
| 90    | 64/32         |                        | 5A0000h–5AFFFFh  | 2D0000h–2D7FFFh  |
| 91    | 64/32         |                        | 5B0000h–5BFFFFh  | 2D8000h–2DFFFFh  |
| 92    | 64/32         | Protection Group       | 5C0000h–5CFFFFh  | 2E0000h–2E7FFFh  |
| 93    | 64/32         |                        | 5D0000h–5DFFFFh  | 2E8000h–2EFFFFh  |
| 94    | 64/32         |                        | 5E0000h–5EFFFFh  | 2F0000h–2F7FFFh  |
| 95    | 64/32         |                        | 5F0000h–5FFFFFFh | 2F8000h–2FFFFFFh |

**Table 21. Top Boot Block addresses, M29W640FT (continued)**

| Block | KBytes/KWords | Protection Block Group | (x8)             | (x16)           |
|-------|---------------|------------------------|------------------|-----------------|
| 96    | 64/32         | Protection Group       | 600000h–60FFFFh  | 300000h–307FFFh |
| 97    | 64/32         |                        | 610000h–61FFFFh  | 308000h–30FFFFh |
| 98    | 64/32         |                        | 620000h–62FFFFh  | 310000h–317FFFh |
| 99    | 64/32         |                        | 630000h–63FFFFh  | 318000h–31FFFFh |
| 100   | 64/32         | Protection Group       | 640000h–64FFFFh  | 320000h–327FFFh |
| 101   | 64/32         |                        | 650000h–65FFFFh  | 328000h–32FFFFh |
| 102   | 64/32         |                        | 660000h–66FFFFh  | 330000h–337FFFh |
| 103   | 64/32         |                        | 670000h–67FFFFh  | 338000h–33FFFFh |
| 104   | 64/32         | Protection Group       | 680000h–68FFFFh  | 340000h–347FFFh |
| 105   | 64/32         |                        | 690000h–69FFFFh  | 348000h–34FFFFh |
| 106   | 64/32         |                        | 6A0000h–6AFFFFh  | 350000h–357FFFh |
| 107   | 64/32         |                        | 6B0000h–6BFFFFh  | 358000h–35FFFFh |
| 108   | 64/32         | Protection Group       | 6C0000h–6CFFFFh  | 360000h–367FFFh |
| 109   | 64/32         |                        | 6D0000h–6DFFFFh  | 368000h–36FFFFh |
| 110   | 64/32         |                        | 6E0000h–6EFFFFh  | 370000h–377FFFh |
| 111   | 64/32         |                        | 6F0000h–6FFFFFFh | 378000h–37FFFFh |
| 112   | 64/32         | Protection Group       | 700000h–70FFFFh  | 380000h–387FFFh |
| 113   | 64/32         |                        | 710000h–71FFFFh  | 388000h–38FFFFh |
| 114   | 64/32         |                        | 720000h–72FFFFh  | 390000h–397FFFh |
| 115   | 64/32         |                        | 730000h–73FFFFh  | 398000h–39FFFFh |
| 116   | 64/32         | Protection Group       | 740000h–74FFFFh  | 3A0000h–3A7FFFh |
| 117   | 64/32         |                        | 750000h–75FFFFh  | 3A8000h–3AFFFFh |
| 118   | 64/32         |                        | 760000h–76FFFFh  | 3B0000h–3B7FFFh |
| 119   | 64/32         |                        | 770000h–77FFFFh  | 3B8000h–3BFFFFh |
| 120   | 64/32         | Protection Group       | 780000h–78FFFFh  | 3C0000h–3C7FFFh |
| 121   | 64/32         |                        | 790000h–79FFFFh  | 3C8000h–3CFFFFh |
| 122   | 64/32         |                        | 7A0000h–7AFFFFh  | 3D0000h–3D7FFFh |
| 123   | 64/32         |                        | 7B0000h–7BFFFFh  | 3D8000h–3DFFFFh |

Table 21. Top Boot Block addresses, M29W640FT (continued)

| Block | KBytes/KWords | Protection Block Group | (x8)             | (x16)            |
|-------|---------------|------------------------|------------------|------------------|
| 124   | 64/32         | Protection Group       | 7C0000h–7CFFFFh  | 3E0000h–3E7FFFh  |
| 125   | 64/32         |                        | 7D0000h–7DFFFFh  | 3E8000h–3EFFFFh  |
| 126   | 64/32         |                        | 7E0000h–7EFFFFh  | 3F0000h–3F7FFFh  |
| 127   | 8/4           |                        | 7F0000h–7F1FFFh  | 3F8000h–3F8FFFh  |
| 128   | 8/4           |                        | 7F2000h–7F3FFFh  | 3F9000h–3F9FFFh  |
| 129   | 8/4           |                        | 7F4000h–7F5FFFh  | 3FA000h–3FAFFFh  |
| 130   | 8/4           |                        | 7F6000h–7F7FFFh  | 3FB000h–3FBFFFh  |
| 131   | 8/4           |                        | 7F8000h–7F9FFFh  | 3FC000h–3FCFFFh  |
| 132   | 8/4           |                        | 7FA000h–7FBFFFh  | 3FD000h–3FDFFFh  |
| 133   | 8/4           |                        | 7FC000h–7FDFFFh  | 3FE000h–3FEFFFh  |
| 134   | 8/4           |                        | 7FE000h–7FFFFFFh | 3FF000h–3FFFFFFh |

1. Used as the Extended Block addresses in Extended Block mode.

**Table 22. Bottom Boot Block addresses, M29W640FB**

| Block | KBytes/KWords | Protection Block Group | (x8)                           | (x16)                          |
|-------|---------------|------------------------|--------------------------------|--------------------------------|
| 0     | 8/4           | Protection Group       | 000000h-001FFFh <sup>(1)</sup> | 000000h-000FFFh <sup>(1)</sup> |
| 1     | 8/4           |                        | 002000h-003FFFh                | 001000h-001FFFh                |
| 2     | 8/4           |                        | 004000h-005FFFh                | 002000h-002FFFh                |
| 3     | 8/4           |                        | 006000h-007FFFh                | 003000h-003FFFh                |
| 4     | 8/4           |                        | 008000h-009FFFh                | 004000h-004FFFh                |
| 5     | 8/4           |                        | 00A000h-00BFFFh                | 005000h-005FFFh                |
| 6     | 8/4           |                        | 00C000h-00DFFFh                | 006000h-006FFFh                |
| 7     | 8/4           |                        | 00E000h-00FFFFh                | 007000h-007FFFh                |
| 8     | 64/32         |                        | 010000h-01FFFFh                | 008000h-00FFFFh                |
| 9     | 64/32         |                        | 020000h-02FFFFh                | 010000h-017FFFh                |
| 10    | 64/32         | 030000h-03FFFFh        | 018000h-01FFFFh                |                                |
| 11    | 64/32         | Protection Group       | 040000h-04FFFFh                | 020000h-027FFFh                |
| 12    | 64/32         |                        | 050000h-05FFFFh                | 028000h-02FFFFh                |
| 13    | 64/32         |                        | 060000h-06FFFFh                | 030000h-037FFFh                |
| 14    | 64/32         |                        | 070000h-07FFFFh                | 038000h-03FFFFh                |
| 15    | 64/32         | Protection Group       | 080000h-08FFFFh                | 040000h-047FFFh                |
| 16    | 64/32         |                        | 090000h-09FFFFh                | 048000h-04FFFFh                |
| 17    | 64/32         |                        | 0A0000h-0AFFFFh                | 050000h-057FFFh                |
| 18    | 64/32         |                        | 0B0000h-0BFFFFh                | 058000h-05FFFFh                |
| 19    | 64/32         | Protection Group       | 0C0000h-0CFFFFh                | 060000h-067FFFh                |
| 20    | 64/32         |                        | 0D0000h-0DFFFFh                | 068000h-06FFFFh                |
| 21    | 64/32         |                        | 0E0000h-0EFFFFh                | 070000h-077FFFh                |
| 22    | 64/32         |                        | 0F0000h-0FFFFFh                | 078000h-07FFFFh                |
| 23    | 64/32         | Protection Group       | 100000h-10FFFFh                | 080000h-087FFFh                |
| 24    | 64/32         |                        | 110000h-11FFFFh                | 088000h-08FFFFh                |
| 25    | 64/32         |                        | 120000h-12FFFFh                | 090000h-097FFFh                |
| 26    | 64/32         |                        | 130000h-13FFFFh                | 098000h-09FFFFh                |
| 27    | 64/32         | Protection Group       | 140000h-14FFFFh                | 0A0000h-0A7FFFh                |
| 28    | 64/32         |                        | 150000h-15FFFFh                | 0A8000h-0AFFFFh                |
| 29    | 64/32         |                        | 160000h-16FFFFh                | 0B0000h-0B7FFFh                |
| 30    | 64/32         |                        | 170000h-17FFFFh                | 0B8000h-0BFFFFh                |
| 31    | 64/32         | Protection Group       | 180000h-18FFFFh                | 0C0000h-0C7FFFh                |
| 32    | 64/32         |                        | 190000h-19FFFFh                | 0C8000h-0CFFFFh                |
| 33    | 64/32         |                        | 1A0000h-1AFFFFh                | 0D0000h-0D7FFFh                |
| 34    | 64/32         |                        | 1B0000h-1BFFFFh                | 0D8000h-0DFFFFh                |

Table 22. Bottom Boot Block addresses, M29W640FB (continued)

| Block | KBytes/KWords | Protection Block Group | (x8)             | (x16)            |
|-------|---------------|------------------------|------------------|------------------|
| 35    | 64/32         | Protection Group       | 1C0000h-1CFFFFh  | 0E0000h-0E7FFFh  |
| 36    | 64/32         |                        | 1D0000h-1DFFFFh  | 0E8000h-0EFFFFh  |
| 37    | 64/32         |                        | 1E0000h-1EFFFFh  | 0F0000h-0F7FFFh  |
| 38    | 64/32         |                        | 1F0000h-1FFFFFFh | 0F8000h-0FFFFFFh |
| 39    | 64/32         | Protection Group       | 200000h-20FFFFh  | 100000h-107FFFh  |
| 40    | 64/32         |                        | 210000h-21FFFFh  | 108000h-10FFFFh  |
| 41    | 64/32         |                        | 220000h-22FFFFh  | 110000h-117FFFh  |
| 42    | 64/32         |                        | 230000h-23FFFFh  | 118000h-11FFFFh  |
| 43    | 64/32         | Protection Group       | 240000h-24FFFFh  | 120000h-127FFFh  |
| 44    | 64/32         |                        | 250000h-25FFFFh  | 128000h-12FFFFh  |
| 45    | 64/32         |                        | 260000h-26FFFFh  | 130000h-137FFFh  |
| 46    | 64/32         |                        | 270000h-27FFFFh  | 138000h-13FFFFh  |
| 47    | 64/32         | Protection Group       | 280000h-28FFFFh  | 140000h-147FFFh  |
| 48    | 64/32         |                        | 290000h-29FFFFh  | 148000h-14FFFFh  |
| 49    | 64/32         |                        | 2A0000h-2AFFFFh  | 150000h-157FFFh  |
| 50    | 64/32         |                        | 2B0000h-2BFFFFh  | 158000h-15FFFFh  |
| 51    | 64/32         | Protection Group       | 2C0000h-2CFFFFh  | 160000h-167FFFh  |
| 52    | 64/32         |                        | 2D0000h-2DFFFFh  | 168000h-16FFFFh  |
| 53    | 64/32         |                        | 2E0000h-2EFFFFh  | 170000h-177FFFh  |
| 54    | 64/32         |                        | 2F0000h-2FFFFFFh | 178000h-17FFFFh  |
| 55    | 64/32         | Protection Group       | 300000h-30FFFFh  | 180000h-187FFFh  |
| 56    | 64/32         |                        | 310000h-31FFFFh  | 188000h-18FFFFh  |
| 57    | 64/32         |                        | 320000h-32FFFFh  | 190000h-197FFFh  |
| 58    | 64/32         |                        | 330000h-33FFFFh  | 198000h-19FFFFh  |
| 59    | 64/32         | Protection Group       | 340000h-34FFFFh  | 1A0000h-1A7FFFh  |
| 60    | 64/32         |                        | 350000h-35FFFFh  | 1A8000h-1AFFFFh  |
| 61    | 64/32         |                        | 360000h-36FFFFh  | 1B0000h-1B7FFFh  |
| 62    | 64/32         |                        | 370000h-37FFFFh  | 1B8000h-1BFFFFh  |
| 63    | 64/32         | Protection Group       | 380000h-38FFFFh  | 1C0000h-1C7FFFh  |
| 64    | 64/32         |                        | 390000h-39FFFFh  | 1C8000h-1CFFFFh  |
| 65    | 64/32         |                        | 3A0000h-3AFFFFh  | 1D0000h-1D7FFFh  |
| 66    | 64/32         |                        | 3B0000h-3BFFFFh  | 1D8000h-1DFFFFh  |

Table 22. Bottom Boot Block addresses, M29W640FB (continued)

| Block | KBytes/KWords | Protection Block Group | (x8)             | (x16)            |
|-------|---------------|------------------------|------------------|------------------|
| 67    | 64/32         | Protection Group       | 3C0000h-3CFFFFh  | 1E0000h-1E7FFFh  |
| 68    | 64/32         |                        | 3D0000h-3DFFFFh  | 1E8000h-1EFFFFh  |
| 69    | 64/32         |                        | 3E0000h-3EFFFFh  | 1F0000h-1F7FFFh  |
| 70    | 64/32         |                        | 3F0000h-3FFFFFFh | 1F8000h-1FFFFFFh |
| 71    | 64/32         | Protection Group       | 400000h-40FFFFh  | 200000h-207FFFh  |
| 72    | 64/32         |                        | 410000h-41FFFFh  | 208000h-20FFFFh  |
| 73    | 64/32         |                        | 420000h-42FFFFh  | 210000h-217FFFh  |
| 74    | 64/32         |                        | 430000h-43FFFFh  | 218000h-21FFFFh  |
| 75    | 64/32         | Protection Group       | 440000h-44FFFFh  | 220000h-227FFFh  |
| 76    | 64/32         |                        | 450000h-45FFFFh  | 228000h-22FFFFh  |
| 77    | 64/32         |                        | 460000h-46FFFFh  | 230000h-237FFFh  |
| 78    | 64/32         |                        | 470000h-47FFFFh  | 238000h-23FFFFh  |
| 79    | 64/32         | Protection Group       | 480000h-48FFFFh  | 240000h-247FFFh  |
| 80    | 64/32         |                        | 490000h-49FFFFh  | 248000h-24FFFFh  |
| 81    | 64/32         |                        | 4A0000h-4AFFFFh  | 250000h-257FFFh  |
| 82    | 64/32         |                        | 4B0000h-4BFFFFh  | 258000h-25FFFFh  |
| 83    | 64/32         | Protection Group       | 4C0000h-4CFFFFh  | 260000h-267FFFh  |
| 84    | 64/32         |                        | 4D0000h-4DFFFFh  | 268000h-26FFFFh  |
| 85    | 64/32         |                        | 4E0000h-4EFFFFh  | 270000h-277FFFh  |
| 86    | 64/32         |                        | 4F0000h-4FFFFFFh | 278000h-27FFFFh  |
| 87    | 64/32         | Protection Group       | 500000h-50FFFFh  | 280000h-287FFFh  |
| 88    | 64/32         |                        | 510000h-51FFFFh  | 288000h-28FFFFh  |
| 89    | 64/32         |                        | 520000h-52FFFFh  | 290000h-297FFFh  |
| 90    | 64/32         |                        | 530000h-53FFFFh  | 298000h-29FFFFh  |
| 91    | 64/32         | Protection Group       | 540000h-54FFFFh  | 2A0000h-2A7FFFh  |
| 92    | 64/32         |                        | 550000h-55FFFFh  | 2A8000h-2AFFFFh  |
| 93    | 64/32         |                        | 560000h-56FFFFh  | 2B0000h-2B7FFFh  |
| 94    | 64/32         |                        | 570000h-57FFFFh  | 2B8000h-2BFFFFh  |
| 95    | 64/32         | Protection Group       | 580000h-58FFFFh  | 2C0000h-2C7FFFh  |
| 96    | 64/32         |                        | 590000h-59FFFFh  | 2C8000h-2CFFFFh  |
| 97    | 64/32         |                        | 5A0000h-5AFFFFh  | 2D0000h-2D7FFFh  |
| 98    | 64/32         |                        | 5B0000h-5BFFFFh  | 2D8000h-2DFFFFh  |

Table 22. Bottom Boot Block addresses, M29W640FB (continued)

| Block | KBytes/KWords | Protection Block Group | (x8)             | (x16)            |
|-------|---------------|------------------------|------------------|------------------|
| 99    | 64/32         | Protection Group       | 5C0000h-5CFFFFh  | 2E0000h-2E7FFFh  |
| 100   | 64/32         |                        | 5D0000h-5DFFFFh  | 2E8000h-2EFFFFh  |
| 101   | 64/32         |                        | 5E0000h-5EFFFFh  | 2F0000h-2F7FFFh  |
| 102   | 64/32         |                        | 5F0000h-5FFFFFFh | 2F8000h-2FFFFFFh |
| 103   | 64/32         | Protection Group       | 600000h-60FFFFh  | 300000h-307FFFh  |
| 104   | 64/32         |                        | 610000h-61FFFFh  | 308000h-30FFFFh  |
| 105   | 64/32         |                        | 620000h-62FFFFh  | 310000h-317FFFh  |
| 106   | 64/32         |                        | 630000h-63FFFFh  | 318000h-31FFFFh  |
| 107   | 64/32         | Protection Group       | 640000h-64FFFFh  | 320000h-327FFFh  |
| 108   | 64/32         |                        | 650000h-65FFFFh  | 328000h-32FFFFh  |
| 109   | 64/32         |                        | 660000h-66FFFFh  | 330000h-337FFFh  |
| 110   | 64/32         |                        | 670000h-67FFFFh  | 338000h-33FFFFh  |
| 111   | 64/32         | Protection Group       | 680000h-68FFFFh  | 340000h-347FFFh  |
| 112   | 64/32         |                        | 690000h-69FFFFh  | 348000h-34FFFFh  |
| 113   | 64/32         |                        | 6A0000h-6AFFFFh  | 350000h-357FFFh  |
| 114   | 64/32         |                        | 6B0000h-6BFFFFh  | 358000h-35FFFFh  |
| 115   | 64/32         | Protection Group       | 6C0000h-6CFFFFh  | 360000h-367FFFh  |
| 116   | 64/32         |                        | 6D0000h-6DFFFFh  | 368000h-36FFFFh  |
| 117   | 64/32         |                        | 6E0000h-6EFFFFh  | 370000h-377FFFh  |
| 118   | 64/32         |                        | 6F0000h-6FFFFFFh | 378000h-37FFFFh  |
| 119   | 64/32         | Protection Group       | 700000h-70FFFFh  | 380000h-387FFFh  |
| 120   | 64/32         |                        | 710000h-71FFFFh  | 388000h-38FFFFh  |
| 121   | 64/32         |                        | 720000h-72FFFFh  | 390000h-397FFFh  |
| 122   | 64/32         |                        | 730000h-73FFFFh  | 398000h-39FFFFh  |
| 123   | 64/32         | Protection Group       | 740000h-74FFFFh  | 3A0000h-3A7FFFh  |
| 124   | 64/32         |                        | 750000h-75FFFFh  | 3A8000h-3AFFFFh  |
| 125   | 64/32         |                        | 760000h-76FFFFh  | 3B0000h-3B7FFFh  |
| 126   | 64/32         |                        | 770000h-77FFFFh  | 3B8000h-3BFFFFh  |
| 127   | 64/32         | Protection Group       | 780000h-78FFFFh  | 3C0000h-3C7FFFh  |
| 128   | 64/32         |                        | 790000h-79FFFFh  | 3C8000h-3CFFFFh  |
| 129   | 64/32         |                        | 7A0000h-7AFFFFh  | 3D0000h-3D7FFFh  |
| 130   | 64/32         |                        | 7B0000h-7BFFFFh  | 3D8000h-3DFFFFh  |

**Table 22. Bottom Boot Block addresses, M29W640FB (continued)**

| Block | KBytes/KWords | Protection Block Group | (x8)             | (x16)            |
|-------|---------------|------------------------|------------------|------------------|
| 131   | 64/32         | Protection Group       | 7C0000h-7CFFFFh  | 3E0000h-3E7FFFh  |
| 132   | 64/32         |                        | 7D0000h-7DFFFFh  | 3E8000h-3EFFFFh  |
| 133   | 64/32         |                        | 7E0000h-7EFFFFh  | 3F0000h-3F7FFFh  |
| 134   | 64/32         |                        | 7F0000h-7FFFFFFh | 3F8000h-3FFFFFFh |

1. Used as the Extended Block addresses in Extended Block mode.



## Appendix B Common Flash Interface (CFI)

The Common Flash Interface is a JEDEC approved, standardized data structure that can be read from the Flash memory device. It allows a system software to query the device to determine various electrical and timing parameters, density information and functions supported by the memory. The system can interface easily with the device, enabling the software to upgrade itself when necessary.

When the CFI Query Command is issued the device enters CFI Query mode and the data structure is read from the memory. Tables [23](#), [24](#), [25](#), [26](#), [27](#), and [28](#), show the addresses used to retrieve the data.

The CFI data structure also contains a security area where a 64 bit unique security number is written (see [Table 28: Security Code Area](#)). This area can be accessed only in Read mode by the final user. It is impossible to change the security number after it has been written by ST.

**Table 23. Query structure overview<sup>(1)</sup>**

| Address |     | Sub-section name                                | Description   |
|---------|-----|---|---|
| x16     | x8  |   |   |
| 10h     | 20h | CFI Query Identification String                 | Command set ID and algorithm data offset                            |
| 1Bh     | 36h | System Interface Information                    | Device timing & voltage information                                 |
| 27h     | 4Eh | Device Geometry Definition                      | Flash device layout   |
| 40h     | 80h | Primary Algorithm-specific Extended Query table | Additional information specific to the Primary Algorithm (optional) |
| 61h     | C2h | Security Code Area                              | 64 bit unique device number   |

1. Query data are always presented on the lowest order data outputs.

**Table 24. CFI Query Identification String<sup>(1)</sup>**

| Address |     | Data  | Description   | Value             |
|---------|-----|-------|---|-------------------|
| x16     | x8  |       |   |                   |
| 10h     | 20h | 0051h |   | "Q"               |
| 11h     | 22h | 0052h | Query Unique ASCII String "QRY"   | "R"               |
| 12h     | 24h | 0059h |   | "Y"               |
| 13h     | 26h | 0002h | Primary Algorithm Command Set and Control Interface ID code<br>16 bit ID code defining a specific algorithm | AMD<br>Compatible |
| 14h     | 28h | 0000h |   |                   |
| 15h     | 2Ah | 0040h | Address for Primary Algorithm extended Query table (see<br><a href="#">Table 27</a> )                       | P = 40h           |
| 16h     | 2Ch | 0000h |   |                   |
| 17h     | 2Eh | 0000h | Alternate Vendor Command Set and Control Interface ID Code<br>second vendor - specified algorithm supported | NA                |
| 18h     | 30h | 0000h |   |                   |
| 19h     | 32h | 0000h | Address for Alternate Algorithm extended Query table  | NA                |
| 1Ah     | 34h | 0000h |   |                   |

1. Query data are always presented on the lowest order data outputs (DQ7-DQ0) only. DQ8-DQ15 are '0'.

**Table 25. CFI Query System Interface Information**

| Address |     | Data  | Description   | Value |
|---------|-----|-------|---|-------|
| x16     | x8  |       |   |       |
| 1Bh     | 36h | 0027h | V <sub>CC</sub> Logic Supply Minimum Program/Erase voltage<br>bit 7 to 4BCD value in volts<br>bit 3 to 0BCD value in 100 mV         | 2.7V  |
| 1Ch     | 38h | 0036h | V <sub>CC</sub> Logic Supply Maximum Program/Erase voltage<br>bit 7 to 4BCD value in volts<br>bit 3 to 0BCD value in 100 mV         | 3.6V  |
| 1Dh     | 3Ah | 00B5h | V <sub>PP</sub> [Programming] Supply Minimum Program/Erase voltage<br>bit 7 to 4HEX value in volts<br>bit 3 to 0BCD value in 100 mV | 11.5V |
| 1Eh     | 3Ch | 00C5h | V <sub>PP</sub> [Programming] Supply Maximum Program/Erase voltage<br>bit 7 to 4HEX value in volts<br>bit 3 to 0BCD value in 100 mV | 12.5V |
| 1Fh     | 3Eh | 0004h | Typical timeout per single byte/word program = 2 <sup>n</sup> μs  | 16μs  |
| 20h     | 40h | 0000h | Typical timeout for minimum size write buffer program = 2 <sup>n</sup> μs   | NA    |
| 21h     | 42h | 000Ah | Typical timeout per individual Block Erase = 2 <sup>n</sup> ms  | 1s    |
| 22h     | 44h | 0000h | Typical timeout for full Chip Erase = 2 <sup>n</sup> ms   | NA    |
| 23h     | 46h | 0004h | Maximum timeout for byte/word program = 2 <sup>n</sup> times typical  | 256μs |
| 24h     | 48h | 0000h | Maximum timeout for write buffer program = 2 <sup>n</sup> times typical   | NA    |
| 25h     | 4Ah | 0003h | Maximum timeout per individual Block Erase = 2 <sup>n</sup> times typical   | 8s    |
| 26h     | 4Ch | 0000h | Maximum timeout for Chip Erase = 2 <sup>n</sup> times typical   | NA    |

Table 26. Device Geometry Definition<sup>(1)</sup>

| Address                  |                          | Data                             | Description   | Value             |
|--------------------------|--------------------------|----------------------------------|---|-------------------|
| x16                      | x8                       |                                  |   |                   |
| 27h                      | 4Eh                      | 0017h                            | Device Size = 2 <sup>n</sup> in number of bytes   | 8 MByte           |
| 28h<br>29h               | 50h<br>52h               | 0002h<br>0000h                   | Flash Device Interface Code description   | x8, x16<br>Async. |
| 2Ah<br>2Bh               | 54h<br>56h               | 0004h<br>0000h                   | Maximum number of bytes in multi-byte program or page = 2 <sup>n</sup>  | 16 Bytes          |
| 2Ch                      | 58h                      | 0002h                            | Number of Erase Block Regions. It specifies the number of regions containing contiguous Erase Blocks of the same size.                        | 2                 |
| 2Dh<br>2Eh               | 5Ah<br>5Ch               | 0007h<br>0000h                   | Region 1 Information<br>Number of Erase Blocks of identical size = 0007h+1  | 8                 |
| 2Fh<br>30h               | 5Eh<br>60h               | 0020h<br>0000h                   | Region 1 Information<br>Block size in Region 1 = 0020h * 256 byte   | 8Kbyte            |
| 31h<br>32h               | 62h<br>64h               | 007Eh<br>0000h                   | Region 2 Information<br>Number of Erase Blocks of identical size= 007Eh+1   | 127               |
| 33h<br>34h               | 66h<br>68h               | 0000h<br>0001h                   | Region 2 Information<br>Block size in Region 2 = 0100h * 256 byte   | 64Kbyte           |
| 35h<br>36h<br>37h<br>38h | 6Ah<br>6Ch<br>6Eh<br>70h | 0000h<br>0000h<br>0000h<br>0000h | Region 3 Information<br>Number of Erase Blocks of identical size=007Fh+1<br>Region 3 Information<br>Block size in Region 3 = 0000h * 256 byte | 0<br>0            |
| 39h<br>3Ah<br>3Bh<br>3Ch | 72h<br>74h<br>76h<br>78h | 0000h<br>0000h<br>0000h<br>0000h | Region 4 Information<br>Number of Erase Blocks of Identical size=007Fh+1<br>Region 4 Information<br>Block size in Region 4 = 0000h * 256 byte | 0<br>0            |

1. For Bottom Boot devices, Erase Block Region 1 is located from address 000000h to 007FFFh and Erase Block Region 2 from address 008000h to 3FFFFFFh.  
For Top Boot devices, Erase Block Region 1 is located from address 000000h to 3F7FFFh and Erase Block Region 2 from address 3F8000h to 3FFFFFFh.

Table 27. Primary Algorithm-specific Extended Query table

| Address |     | Data           | Description   | Value     |
|---------|-----|----------------|---|-----------|
| x16     | x8  |                |   |           |
| 40h     | 80h | 0050h          | Primary Algorithm extended Query table unique ASCII string "PRI"  | "P"       |
| 41h     | 82h | 0052h          |   | "R"       |
| 42h     | 84h | 0049h          |   | "I"       |
| 43h     | 86h | 0031h          | Major version number, ASCII   | "1"       |
| 44h     | 88h | 0033h          | Minor version number, ASCII   | "3"       |
| 45h     | 8Ah | 0000h          | Address Sensitive Unlock (bits 1 to 0)<br>00h = required, 01h = not required<br>Silicon Revision Number (bits 7 to 2)   | Yes       |
| 46h     | 8Ch | 0002h          | Erase Suspend<br>00h = not supported, 01h = Read only, 02 = Read and Write  | 2         |
| 47h     | 8Eh | 0004h          | Block Protection<br>00h = not supported, x = number of blocks per protection group                                      | 4         |
| 48h     | 90h | 0001h          | Temporary Block Unprotect<br>00h = not supported, 01h = supported   | Yes       |
| 49h     | 92h | 0004h          | Block Protect /Unprotect<br>04 = M29W640F   | 04        |
| 4Ah     | 94h | 0000h          | Simultaneous Operations, 00h = not supported  | No        |
| 4Bh     | 96h | 0000h          | Burst Mode: 00h = not supported, 01h = supported  | No        |
| 4Ch     | 98h | 0001h          | Page Mode: 00h = not supported, 01h = 4 page word, 02h = 8 page word  | Yes       |
| 4Dh     | 9Ah | 00B5h          | V <sub>PP</sub> Supply Minimum Program/Erase voltage<br>bit 7 to 4 HEX value in volts<br>bit 3 to 0 BCD value in 100 mV | 11.5V     |
| 4Eh     | 9Ch | 00C5h          | V <sub>PP</sub> Supply Maximum Program/Erase voltage<br>bit 7 to 4 HEX value in volts<br>bit 3 to 0 BCD value in 100 mV | 12.5V     |
| 4Fh     | 9Eh | 0002h<br>0003h | Top/Bottom Boot Block Flag<br>02h = Bottom Boot device<br>03h = Top Boot device   | -         |
| 50h     | A0h | 0001h          | Program Suspend<br>00h = Not Supported<br>01h = Supported   | Supported |

Table 28. Security Code Area

| Address |          | Data | Description                  |
|---------|----------|------|------------------------------|
| x16     | x8       |      |                              |
| 61h     | C3h, C2h | XXXX | 64 bit: unique device number |
| 62h     | C5h, C4h | XXXX |                              |
| 63h     | C7h, C6h | XXXX |                              |
| 64h     | C9h, C8h | XXXX |                              |

## Appendix C Extended Memory Block

The M29W640F has an extra block, the Extended Block, that can be accessed using a dedicated command.

This Extended Block is 128 Words in x16 mode and 256 Bytes in x8 mode. It is used as a security block to provide a permanent security identification number) or to store additional information.

The Extended Block is either Factory Locked or Customer Lockable, its status is indicated by bit DQ7. This bit is permanently set to either '1' or '0' at the factory and cannot be changed. When set to '1', it indicates that the device is factory locked and the Extended Block is protected. When set to '0', it indicates that the device is customer lockable and the Extended Block is unprotected. Bit DQ7 being permanently locked to either '1' or '0' is another security feature which ensures that a customer lockable device cannot be used instead of a factory locked one.

Bit DQ7 is the most significant bit in the Extended Block Verify Code and a specific procedure must be followed to read it. See "Extended Memory Block Verify Code" in [Table 4: Bus operations, BYTE = V<sub>IL</sub>](#) and [Table 5: Bus operations, BYTE = V<sub>IH</sub>](#), for details of how to read bit DQ7.

The Extended Block can only be accessed when the device is in Extended Block mode. For details of how the Extended Block mode is entered and exited, refer to the [Section 4.3.1: Enter Extended Block command](#) and [Section 4.3.2: Exit Extended Block command](#), and to [Table 6](#) and [Table 7: Commands, 8-bit mode, BYTE = V<sub>IL</sub>](#).

### C.1 Factory Locked Extended Block

In devices where the Extended Block is factory locked, the Security Identification Number is written to the Extended Block address space (see [Table 29: Extended Block address and data](#)) in the factory. The DQ7 bit is set to '1' and the Extended Block cannot be unprotected.

### C.2 Customer Lockable Extended Block

A device where the Extended Block is customer lockable is delivered with the DQ7 bit set to '0' and the Extended Block unprotected. It is up to the customer to program and protect the Extended Block but care must be taken because the protection of the Extended Block is not reversible.

There are two ways of protecting the Extended Block:

- Issue the Enter Extended Block command to place the device in Extended Block mode, then use the In-System Technique with  $\overline{RP}$  either at V<sub>IH</sub> or at V<sub>ID</sub> (refer to [Appendix D, Section D.2: In-System technique](#) and to the corresponding flowcharts, [Figure 18](#) and [Figure 19](#), for a detailed explanation of the technique).
- Issue the Enter Extended Block command to place the device in Extended Block mode, then use the Programmer Technique (refer to [Appendix D, Section D.1: Programmer technique](#) and to the corresponding flowcharts, [Figure 16](#) and [Figure 17](#), for a detailed explanation of the technique).

Once the Extended Block is programmed and protected, the Exit Extended Block command must be issued to exit the Extended Block mode and return the device to Read mode.

Table 29. Extended Block address and data

| Address         |                 | Data                           |                        |
|-----------------|-----------------|--------------------------------|------------------------|
| x8              | x16             | Factory Locked                 | Customer Lockable      |
| 000000h-00007Fh | 000000h-00003Fh | Security Identification Number | Determined by customer |
| 000080h-0000FFh | 000040h-00007Fh | Unavailable                    |                        |

## Appendix D Block protection

Block protection can be used to prevent any operation from modifying the data stored in the memory. The blocks are protected in groups, refer to [Appendix A: Block addresses, Table 21](#) and [Table 22](#) for details of the Protection Groups. Once protected, Program and Erase operations within the protected group fail to change the data.

There are three techniques that can be used to control Block Protection, these are the Programmer technique, the In-System technique and Temporary Unprotection. Temporary Unprotection is controlled by the Reset/Block Temporary Unprotection pin,  $\overline{RP}$ ; this is described in the Signal Descriptions section.

### D.1 Programmer technique

The Programmer technique uses high ( $V_{ID}$ ) voltage levels on some of the bus pins. These cannot be achieved using a standard microprocessor bus, therefore the technique is recommended only for use in Programming Equipment.

To protect a group of blocks follow the flowchart in [Figure 16: Programmer Equipment Group Protect flowchart](#). To unprotect the whole chip it is necessary to protect all of the groups first, then all groups can be unprotected at the same time. To unprotect the chip follow [Figure 17: Programmer Equipment Chip Unprotect flowchart](#). [Table 30: Programmer technique bus operations, BYTE =  \$V\_{IH}\$  or  \$V\_{IL}\$](#) , gives a summary of each operation.

The timing on these flowcharts is critical. Care should be taken to ensure that, where a pause is specified, it is followed as closely as possible. Do not abort the procedure before reaching the end. Chip Unprotect can take several seconds and a user message should be provided to show that the operation is progressing.

### D.2 In-System technique

The In-System technique requires a high voltage level on the Reset/Blocks Temporary Unprotect pin,  $\overline{RP}^{(1)}$ . This can be achieved without violating the maximum ratings of the components on the microprocessor bus, therefore this technique is suitable for use after the memory has been fitted to the system.

To protect a group of blocks follow the flowchart in [Figure 18: In-System Equipment Group Protect flowchart](#). To unprotect the whole chip it is necessary to protect all of the groups first, then all the groups can be unprotected at the same time. To unprotect the chip follow [Figure 19: In-System Equipment Chip Unprotect flowchart](#).

The timing on these flowcharts is critical. Care should be taken to ensure that, where a pause is specified, it is followed as closely as possible. Do not allow the microprocessor to service interrupts that will upset the timing and do not abort the procedure before reaching the end. Chip Unprotect can take several seconds and a user message should be provided to show that the operation is progressing.

*Note:*  $\overline{RP}$  can be either at  $V_{IH}$  or at  $V_{ID}$  when using the In-System Technique to protect the Extended Block.

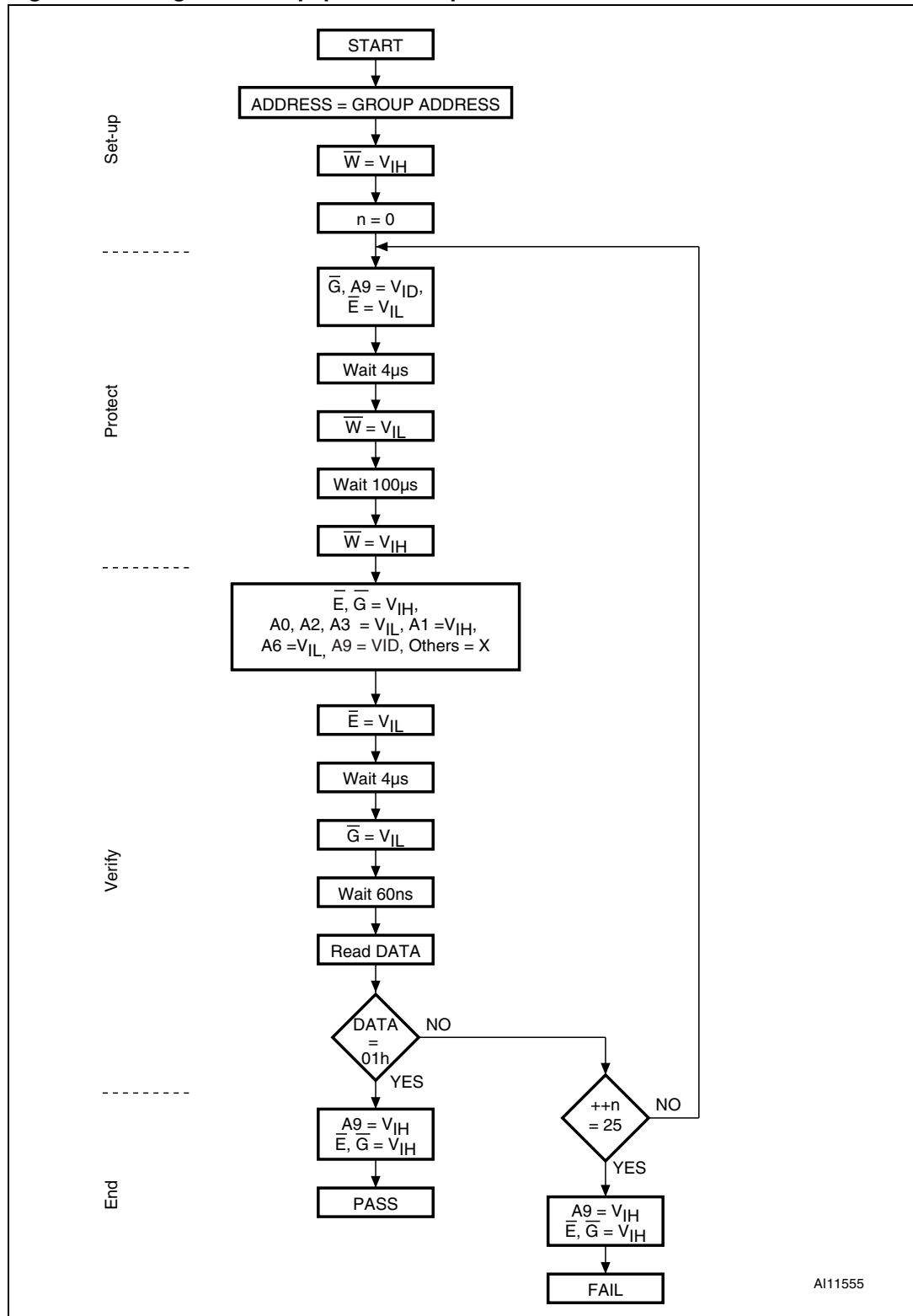


Table 30. Programmer technique bus operations,  $\overline{\text{BYTE}} = V_{IH}$  or  $V_{IL}$ 

| Operation                               | $\overline{\text{E}}$ | $\overline{\text{G}}$ | $\overline{\text{W}}$ | Address Inputs<br>A0-A21   | Data Inputs/Outputs<br>DQ15A-1, DQ14-DQ0 |
|---|-----------------------|-----------------------|-----------------------|--|--|
| Block (Group)<br>Protect <sup>(1)</sup> | $V_{IL}$              | $V_{ID}$              | $V_{IL}$ Pulse        | A9 = $V_{ID}$ , A12-A21 = Block address<br>Others = X  | X  |
| Chip Unprotect                          | $V_{ID}$              | $V_{ID}$              | $V_{IL}$ Pulse        | A9 = $V_{ID}$ , A12 = $V_{IH}$ , A15 = $V_{IH}$<br>Others = X  | X  |
| Block (Group)<br>Protection Verify      | $V_{IL}$              | $V_{IL}$              | $V_{IH}$              | A0, A2, A3 = $V_{IL}$ , A1 = $V_{IH}$ , A6 = $V_{IL}$ ,<br>A9 = $V_{ID}$ , A12-A21 = Block address<br>Others = X | Pass = XX01h<br>Retry = XX00h            |
| Block (Group)<br>Unprotection Verify    | $V_{IL}$              | $V_{IL}$              | $V_{IH}$              | A0, A2, A3 = $V_{IL}$ , A1 = $V_{IH}$ , A6 = $V_{IH}$ ,<br>A9 = $V_{ID}$ , A12-A21 = Block address<br>Others = X | Retry = XX01h<br>Pass = XX00h            |

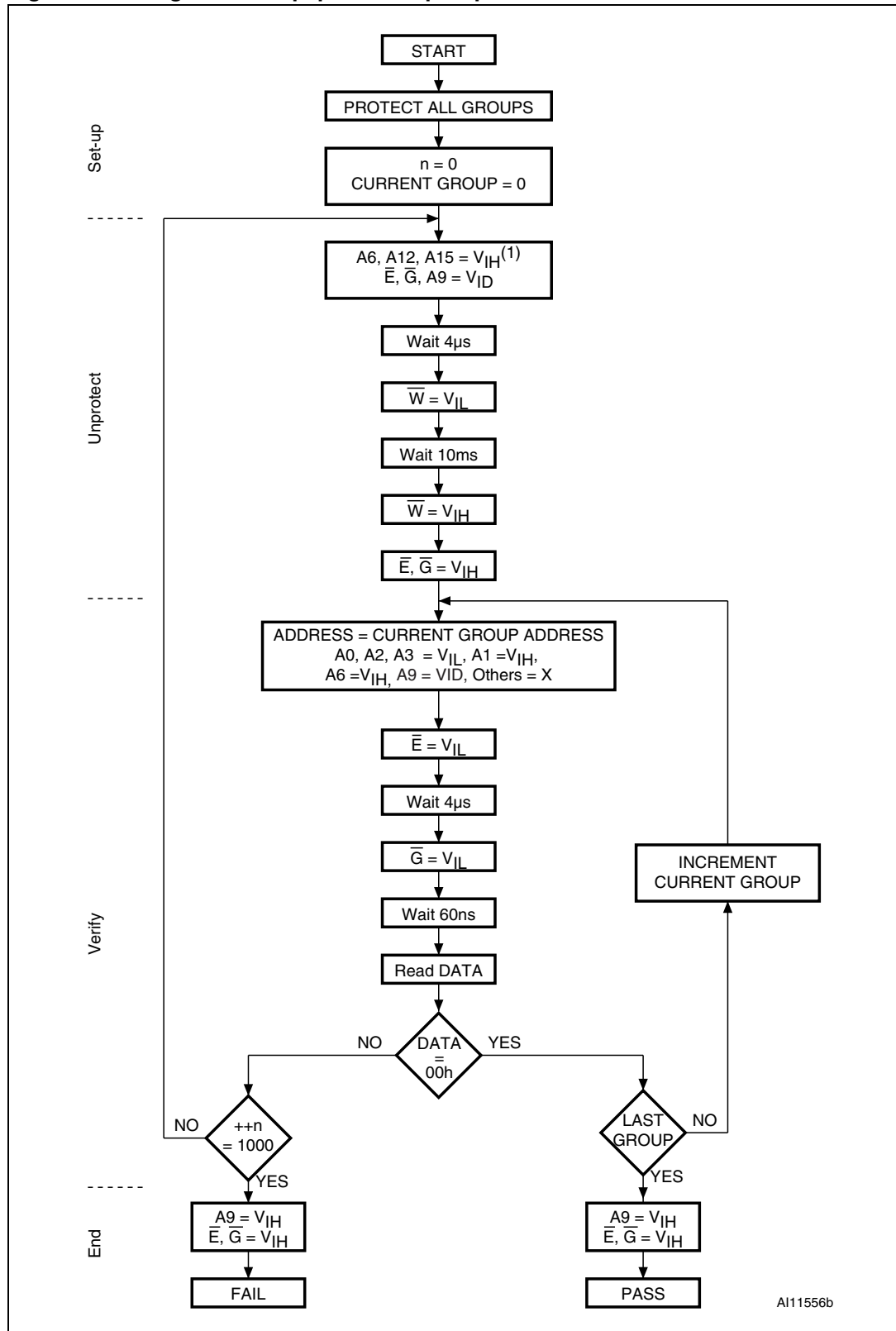
1. Block Protection Groups are shown in [Appendix A](#), Tables 21 and 22.

Figure 16. Programmer Equipment Group Protect flowchart



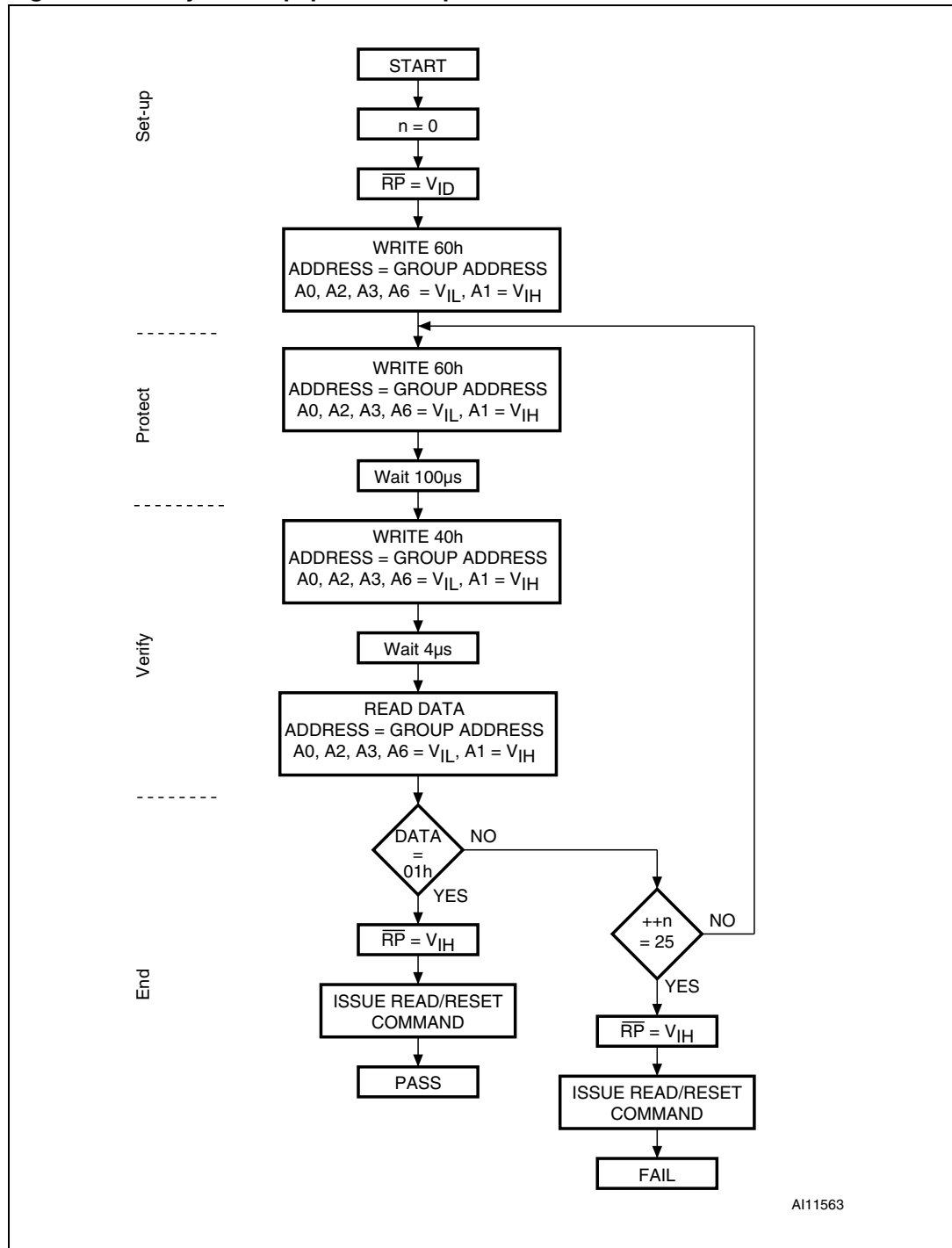
1. Block Protection Groups are shown in [Appendix A](#), Tables 21 and 22.

Figure 17. Programmer Equipment Chip Unprotect flowchart



1. Block Protection Groups are shown in [Appendix A](#), Tables 21 and 22.

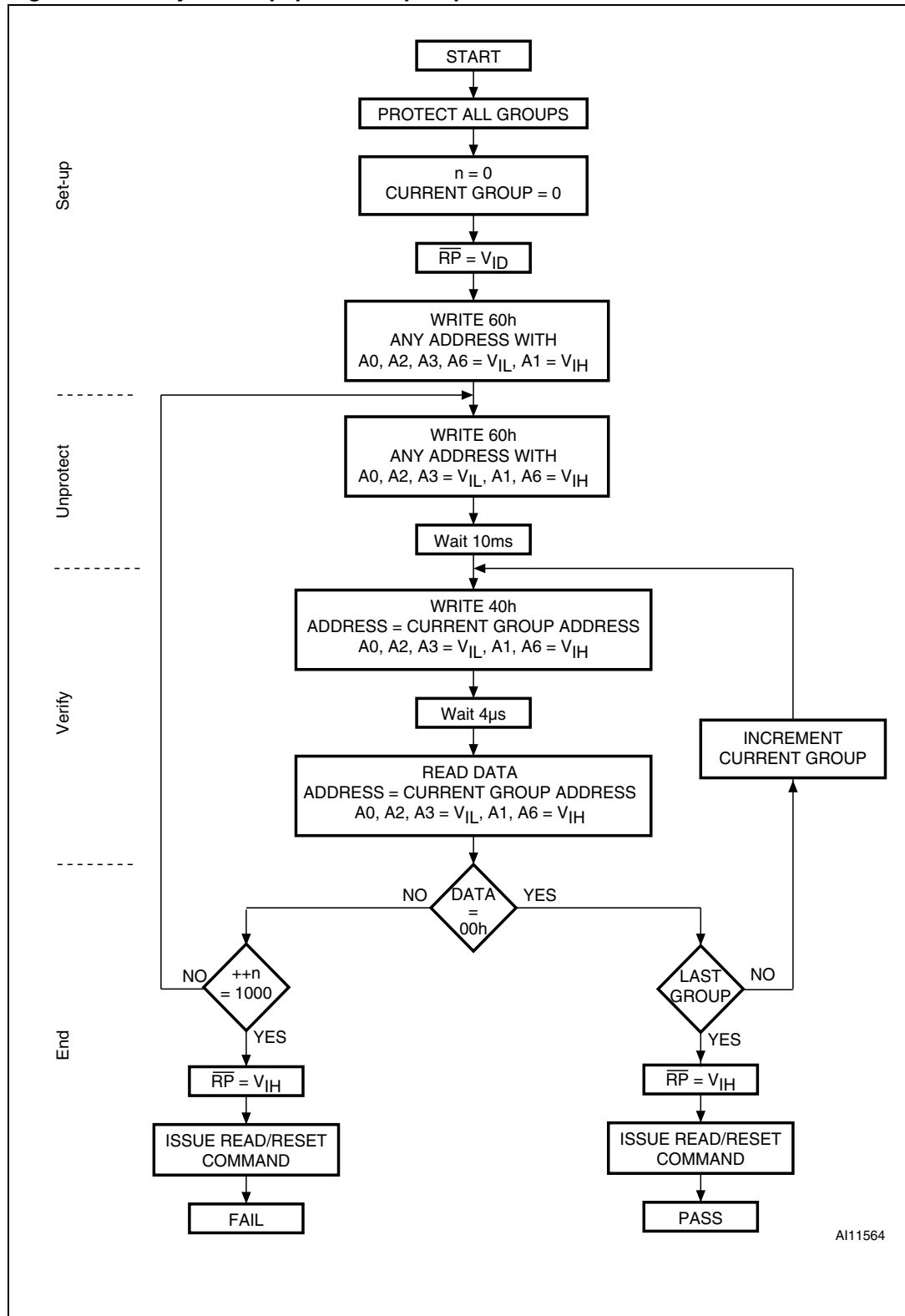
Figure 18. In-System Equipment Group Protect flowchart



A111563

1. Block Protection Groups are shown in [Appendix A](#), Tables 21 and 22.
2.  $\overline{RP}$  can be either at  $V_{IH}$  or at  $V_{ID}$  when using the In-System Technique to protect the Extended Block.

Figure 19. In-System Equipment Chip Unprotect flowchart



AI11564

1. Block Protection Groups are shown in [Appendix A](#), Tables 21 and 22.

## Revision history

**Table 31. Document revision history**

| Date        | Revision | Changes   |
|-------------|----------|---|
| 01-Mar-2005 | 0.1      | First Issue.  |
| 17-May-2005 | 0.2      | Asynchronous Page mode added.<br>70ns speed class added.  |
| 07-Oct-2005 | 1.0      | Device codes modified.<br>TFBGA63 replaced by TFBGA48 6x8 package. ECOPACK text updated<br>Page size changed to 4 Word.<br>90ns speed class removed.<br>Quadruple Word/Octuple Byte Program command added.<br><a href="#">Table 4: Bus operations, BYTE = V<sub>IL</sub></a> and <a href="#">Table 5: Bus operations, BYTE = V<sub>IH</sub></a> : A0-A21 addresses for reading the Device Code, the Manufacturer Code, the Extended Memory Block Verify Code, and the Block Protection Status, have been updated.<br><a href="#">Appendix D: Block protection: Table 30: Programmer technique bus operations, BYTE = V<sub>IH</sub> or V<sub>IL</sub></a> : A0-A21 addresses updated for Block Protection/Unprotection Verify using the Programmer technique. |
| 02-Dec-2005 | 2        | Datasheet status changed to "Full Datasheet".<br>60ns speed class added.<br>Program Suspend and Resume added.<br><a href="#">Section 2.8: V<sub>PP</sub>/Write Protect (V<sub>PP</sub>/WP)</a> and <a href="#">Section 4.2: Fast Program commands. Section 4: Command interface</a> restructured.<br><a href="#">Table 29: Extended Block address and data</a> updated.   |
| 15-Dec-2005 | 3        | Double Byte Program commands added in <a href="#">Section 4: Command interface</a> .<br><a href="#">Table 4: Bus operations, BYTE = V<sub>IL</sub></a> and <a href="#">Table 5: Bus operations, BYTE = V<sub>IH</sub></a> : A6 changed from V <sub>IH</sub> to V <sub>IL</sub> for Read Block Protection Status operation.  |
| 10-Mar-2006 | 4        | DQ7 changed to $\overline{DQ7}$ for Program, Program During Erase Suspend and Program Error in <a href="#">Table 9: Status Register Bits</a> .<br>A6 = V <sub>IL</sub> corrected to A6 = V <sub>IH</sub> during the Verify phase in <a href="#">Figure 17: Programmer Equipment Chip Unprotect flowchart</a> .<br>Address ranges modified for x8 and x16 modes in <a href="#">Table 29: Extended Block address and data</a> .   |
| 23-Aug-2006 | 5        | Amended mistake in second title (M29W640FT changed to M29W640FB); removed the 4th cycle from the double byte program of <a href="#">Table 7: Commands, 8-bit mode, BYTE = V<sub>IL</sub></a>  |
| 25-Oct-2006 | 6        | <a href="#">Table 9: Status Register Bits</a> updated.  |
| 10-Dec-2007 | 7        | Applied Numonyx branding.   |

**Please Read Carefully:**

INFORMATION IN THIS DOCUMENT IS PROVIDED IN CONNECTION WITH NUMONYX™ PRODUCTS. NO LICENSE, EXPRESS OR IMPLIED, BY ESTOPPEL OR OTHERWISE, TO ANY INTELLECTUAL PROPERTY RIGHTS IS GRANTED BY THIS DOCUMENT. EXCEPT AS PROVIDED IN NUMONYX'S TERMS AND CONDITIONS OF SALE FOR SUCH PRODUCTS, NUMONYX ASSUMES NO LIABILITY WHATSOEVER, AND NUMONYX DISCLAIMS ANY EXPRESS OR IMPLIED WARRANTY, RELATING TO SALE AND/OR USE OF NUMONYX PRODUCTS INCLUDING LIABILITY OR WARRANTIES RELATING TO FITNESS FOR A PARTICULAR PURPOSE, MERCHANTABILITY, OR INFRINGEMENT OF ANY PATENT, COPYRIGHT OR OTHER INTELLECTUAL PROPERTY RIGHT.

Numonyx products are not intended for use in medical, life saving, life sustaining, critical control or safety systems, or in nuclear facility applications.

Numonyx may make changes to specifications and product descriptions at any time, without notice.

Numonyx, B.V. may have patents or pending patent applications, trademarks, copyrights, or other intellectual property rights that relate to the presented subject matter. The furnishing of documents and other materials and information does not provide any license, express or implied, by estoppel or otherwise, to any such patents, trademarks, copyrights, or other intellectual property rights.

Designers must not rely on the absence or characteristics of any features or instructions marked "reserved" or "undefined." Numonyx reserves these for future definition and shall have no responsibility whatsoever for conflicts or incompatibilities arising from future changes to them.

Contact your local Numonyx sales office or your distributor to obtain the latest specifications and before placing your product order.

Copies of documents which have an order number and are referenced in this document, or other Numonyx literature may be obtained by visiting Numonyx's website at <http://www.numonyx.com>.

Numonyx StrataFlash is a trademark or registered trademark of Numonyx or its subsidiaries in the United States and other countries.

\*Other names and brands may be claimed as the property of others.

Copyright © 11/5/7, Numonyx, B.V., All Rights Reserved.