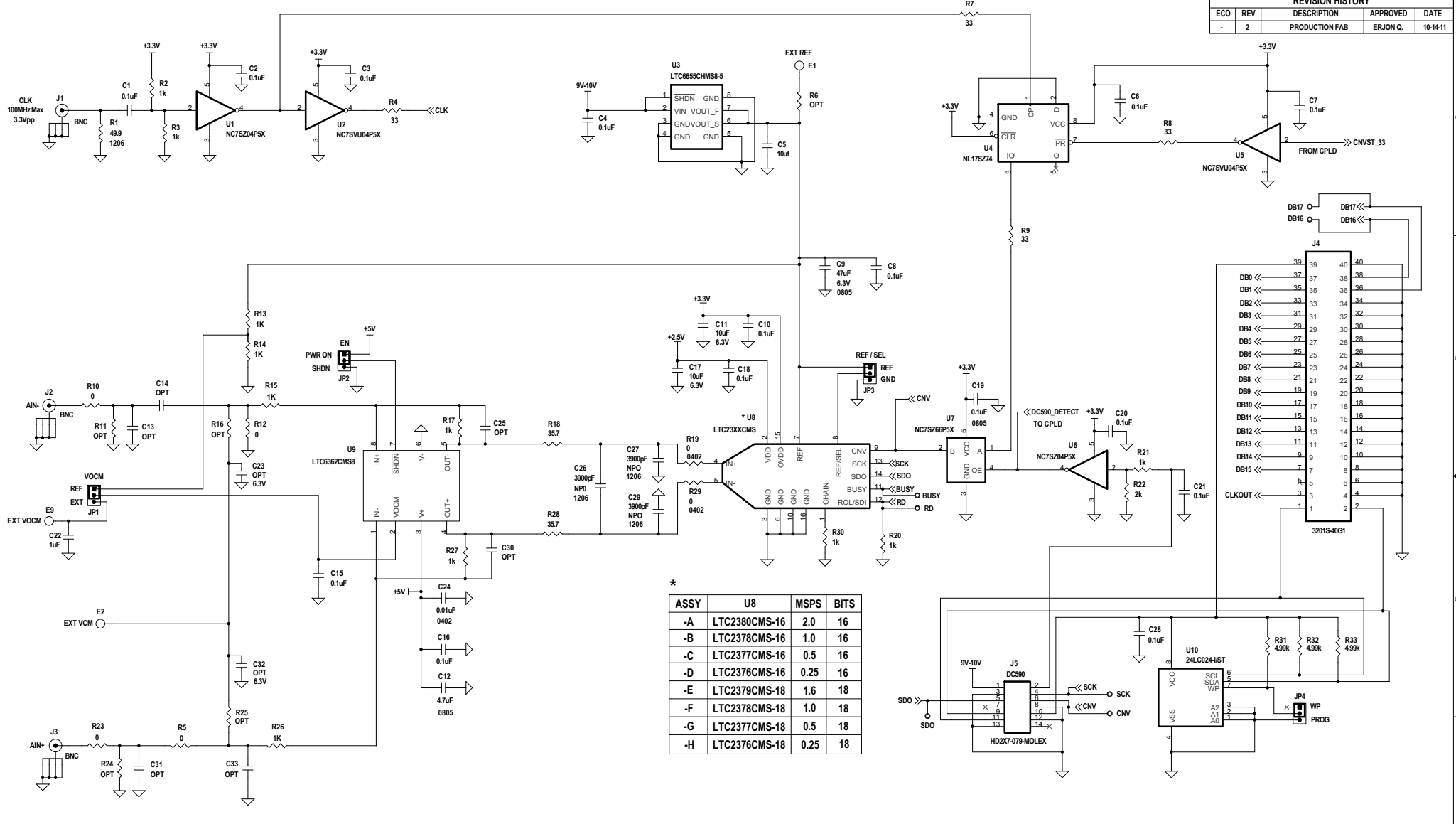


REVISION HISTORY				
ECO	REV	DESCRIPTION	APPROVED	DATE
-	2	PRODUCTION FAB	ERJON Q.	10-14-11



* U8

ASSY	U8	MSPS	BITS
-A	LTC2380CMS-16	2.0	16
-B	LTC2378CMS-16	1.0	16
-C	LTC2377CMS-16	0.5	16
-D	LTC2376CMS-16	0.25	16
-E	LTC2379CMS-18	1.6	18
-F	LTC2378CMS-18	1.0	18
-G	LTC2377CMS-18	0.5	18
-H	LTC2376CMS-18	0.25	18

NOTE: UNLESS OTHERWISE SPECIFIED
 1. ALL RESISTORS ARE IN OHMS, 0603.
 ALL CAPACITORS ARE IN MICROFARADS, 0603.
 2. INSTALL SHUNTS AS SHOWN.

CUSTOMER NOTICE
 LINEAR TECHNOLOGY HAS MADE A BEST EFFORT TO DESIGN A CIRCUIT THAT MEETS CUSTOMER-SUPPLIED SPECIFICATIONS. HOWEVER, IT REMAINS THE CUSTOMER'S RESPONSIBILITY TO VERIFY PROPER AND RELIABLE OPERATION IN THE ACTUAL APPLICATION. COMPONENT SUBSTITUTION AND PRINTED CIRCUIT BOARD LAYOUT MAY SIGNIFICANTLY AFFECT CIRCUIT PERFORMANCE OR RELIABILITY. CONTACT LINEAR TECHNOLOGY APPLICATIONS ENGINEERING FOR ASSISTANCE.
 THIS CIRCUIT IS PROPRIETARY TO LINEAR TECHNOLOGY AND SUPPLIED FOR USE WITH LINEAR TECHNOLOGY PARTS.

APPROVALS
 PCB DES: NC
 APP ENG: ERJON Q.

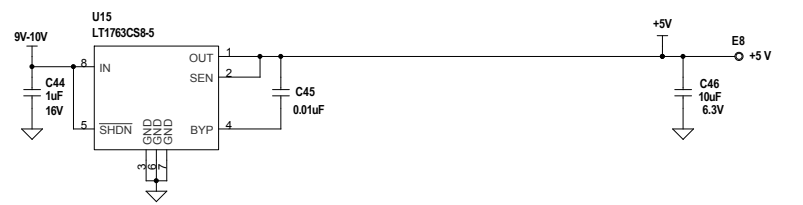
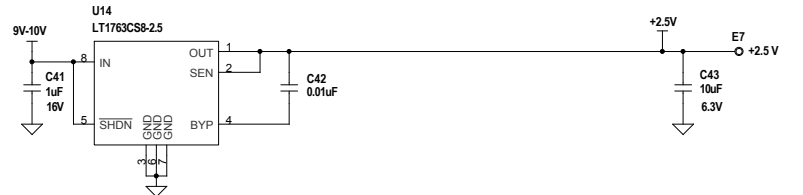
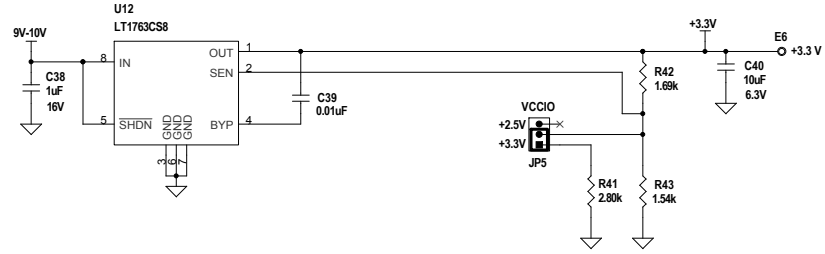
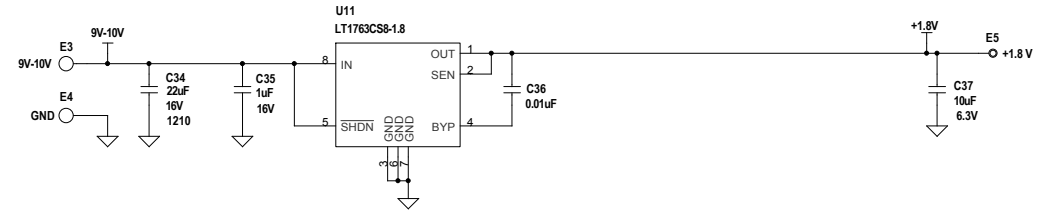
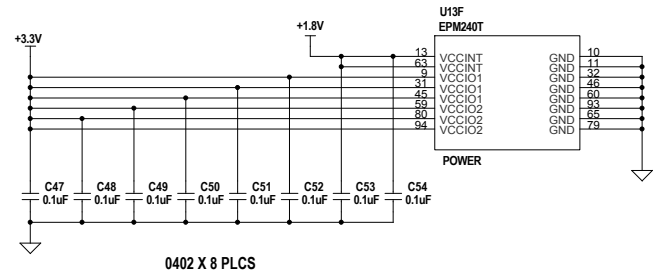
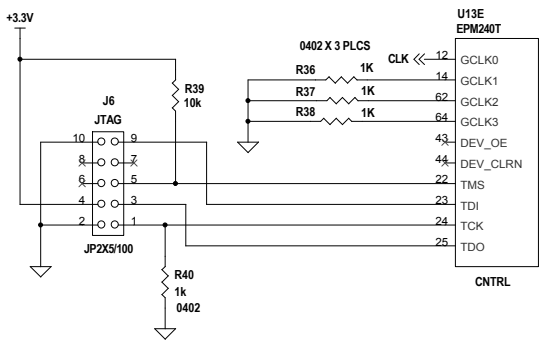
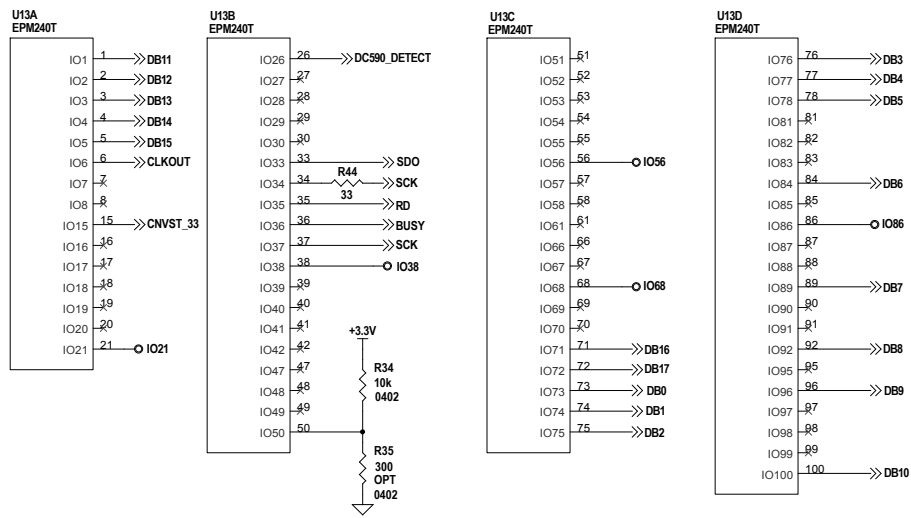
1630 McCarthy Blvd.
 Milpitas, CA 95035
 Phone: (408)321-3900 www.linear.com
 Fax: (408)434-0507
 LTC Confidential-For Customer Use Only

LINEAR TECHNOLOGY

TITLE: SCHEMATIC
LTC6362 DRIVING 18 - BIT SAR ADC

SIZE: N/A IC NO.: LTC6362CMS8 REV: 2
 DEMO CIRCUIT1805A - A / H

SCALE: NONE DATE: 10-14-11 SHEET 1 OF 2



CUSTOMER NOTICE		APPROVALS		LINEAR TECHNOLOGY			
LINEAR TECHNOLOGY HAS MADE A BEST EFFORT TO DESIGN A CIRCUIT THAT MEETS CUSTOMER-SUPPLIED SPECIFICATIONS; HOWEVER, IT REMAINS THE CUSTOMER'S RESPONSIBILITY TO VERIFY PROPER AND RELIABLE OPERATION IN THE ACTUAL APPLICATION. COMPONENT SUBSTITUTION AND PRINTED CIRCUIT BOARD LAYOUT MAY SIGNIFICANTLY AFFECT CIRCUIT PERFORMANCE OR RELIABILITY. CONTACT LINEAR TECHNOLOGY APPLICATIONS ENGINEERING FOR ASSISTANCE.				PCB DES.	NC	1630 McCarthy Blvd. Milpitas, CA 95035 Phone: (408)432-1900 Fax: (408)434-0507 LTC Confidential-For Customer Use Only	
THIS CIRCUIT IS PROPRIETARY TO LINEAR TECHNOLOGY AND SUPPLIED FOR USE WITH LINEAR TECHNOLOGY PARTS.				APP ENG.	ERJON Q.	www.linear.com	
				TITLE: SCHEMATIC			
				LTC6362 DRIVING 18 - BIT SAR ADC			
SIZE		IC NO.		REV.			
N/A		LTC6362CMS8		2			
				SCALE = NONE			
				DATE: 10-14-11		SHEET 2 OF 2	