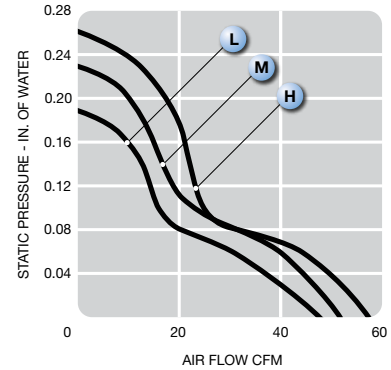
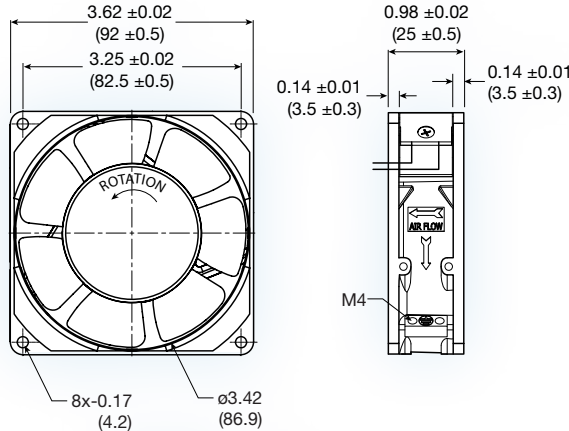




# LPC92B series



**(92 x 92 x 25 mm)**

3.62 x 3.62 x 0.98 inches

**Features:** low power consumption, global input voltage

**Operating voltage:** 90 ~ 264 VAC

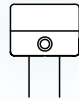
**Construction:** magnesium die cast frame with UL94V-0 plastic impeller

**Bearing option:** motor quality ball bearings

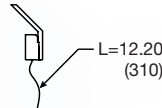
**Motor:** electronically comutated

**Air Flow:** air exhaust over struts

**Connection:** terminal type or lead wire



**Terminal**



**Lead Wire**

Model No.	Rated Voltage V	Freq. HZ	Input Power W	Speed RPM	Air Volume		Max. Static Pressure (H <sub>2</sub> O)		Sound Noise dbA	Weight g
					M <sup>3</sup> /Min.	CFM	MM	INCH		
LPC92B99-__L	90 ~ 264	50/60	4.0	3,000	1.4	48	4.8	0.19	35	181
LPC92B99-__M	90 ~ 264	50/60	4.5	3,500	1.5	53	5.8	0.23	39	181
LPC92B99-__H	90 ~ 264	50/60	5.5	4,000	1.6	58	6.5	0.26	43	181

