



50ppm/°C Precision Micropower Shunt Voltage References with Multiple Reverse Breakdown Voltages

General Description

The LM4050/LM4051 are precision two-terminal, shunt-mode, bandgap voltage references available in fixed reverse breakdown voltages of 1.225V, 2.048V, 2.500V, 3.000V, 3.3V, 4.096V, and 5.000V. Ideal for space-critical applications, the LM4050/LM4051 are offered in the subminiature 3-pin SC70 surface-mount packages (1.8mm x 1.8mm), 50% smaller than comparable devices in SOT23 surface-mount package (SOT23 versions are also available).

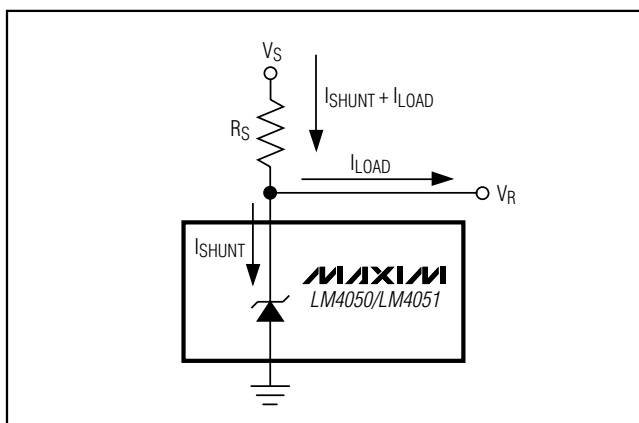
Laser-trimmed resistors ensure excellent initial accuracy. With a 50ppm/°C temperature coefficient, these devices are offered in three grades of initial accuracy ranging from 0.1% to 0.5%. The LM4050/LM4051 have a 60µA to 15mA shunt-current capability with low dynamic impedance, ensuring stable reverse breakdown voltage accuracy over a wide range of operating temperatures and currents. The LM4050/LM4051 do not require an external stabilizing capacitor while ensuring stability with any capacitive loads.

The LM4050/LM4051 specifications are guaranteed over the temperature range of -40°C to +125°C.

Applications

Portable, Battery-Powered Equipment
 Notebook Computers
 Cell Phones
 Industrial Process Controls

Typical Operating Circuit



Features

- ◆ 50ppm/°C (max) Temperature Coefficient Guaranteed over the -40°C to +125°C Temperature Range
- ◆ Ultra-Small 3-Pin SC70 Package
- ◆ 0.1% (max) Initial Accuracy
- ◆ Wide Operating Current Range: 60µA to 15mA
- ◆ Low 28µVRMS Output Noise (10Hz to 10kHz)
- ◆ 1.225V, 2.048V, 2.500V, 3.000V, 3.3V, 4.096V, and 5.000V Fixed Reverse Breakdown Voltages
- ◆ No Output Capacitors Required
- ◆ Tolerates Capacitive Loads

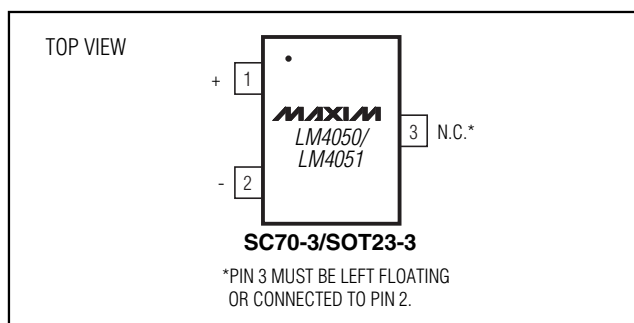
Selector Guide

| PART | PIN-PACKAGE | OUTPUT VOLTAGE (V) | PACKAGE CODE |
|----------------|-------------|--------------------|--------------|
| LM4050_EM3-2.1 | 3 SOT 23-3 | 2.048 | U3-1 |
| LM4050_EX3-2.1 | 3 SC70-3 | 2.048 | X3-2 |
| LM4050_EM3-2.5 | 3 SOT 23-3 | 2.500 | U3-1 |
| LM4050_EX3-2.5 | 3 SC70-3 | 2.500 | X3-2 |
| LM4050_EM3-3.0 | 3 SOT 23-3 | 3.000 | U3-1 |
| LM4050_EX3-3.0 | 3 SC70-3 | 3.000 | X3-2 |
| LM4050_EX3-3.3 | 3 SC70-3 | 3.300 | X3-2 |
| LM4050_EM3-4.1 | 3 SOT 23-3 | 4.096 | U3-1 |
| LM4050_EX3-4.1 | 3 SC70-3 | 4.096 | X3-2 |
| LM4050_EM3-5.0 | 3 SOT 23-3 | 5.000 | U3-1 |
| LM4050_EX3-5.0 | 3 SC70-3 | 5.000 | X3-2 |
| LM4051_EM3-1.2 | 3 SOT 23-3 | 1.225 | U3-1 |
| LM4051_EX3-1.2 | 3 SC70-3 | 1.225 | X3-2 |

Note: All devices are specified over the -40°C to +125°C operating temperature range.

Ordering Information appears at end of data sheet.

Pin Configuration



50ppm/°C Precision Micropower Shunt Voltage References with Multiple Reverse Breakdown Voltages

ABSOLUTE MAXIMUM RATINGS

Reverse Current (cathode to anode)20mA
 Forward Current (anode to cathode)10mA
 Continuous Power Dissipation ($T_A = +70^\circ\text{C}$)
 3-Pin SC70 (derate 2.17mW/°C above +70°C).....174mW
 3-Pin SOT23 (derate 4.01mW/°C above +70°C).....320mW

Operating Temperature Range
 LM4050/LM4051_E_...-40°C to +125°C
 Storage Temperature Range-65°C to +150°C
 Junction Temperature+150°C
 Lead Temperature (soldering, 10s).....+300°C

Stresses beyond those listed under "Absolute Maximum Ratings" may cause permanent damage to the device. These are stress ratings only, and functional operation of the device at these or any other conditions beyond those indicated in the operational sections of the specifications is not implied. Exposure to absolute maximum rating conditions for extended periods may affect device reliability.

ELECTRICAL CHARACTERISTICS—1.225V

($I_R = 100\mu\text{A}$, $T_A = T_{\text{MIN}}$ to T_{MAX} , unless otherwise noted. Typical values are at $T_A = +25^\circ\text{C}$.) (Note 1)

| PARAMETER | SYMBOL | CONDITIONS | MIN | TYP | MAX | UNITS | |
|----------------------------------------------------------------|-----------------------|--------------------------------------------------------------------|----------------|-----------|----------|----------------------------|---|
| Reverse Breakdown Voltage | V_R | $T_A = +25^\circ\text{C}$ | LM4051A (0.1%) | 1.2238 | 1.2250 | 1.2262 | V |
| | | | LM4051B (0.2%) | 1.2226 | 1.2250 | 1.2275 | |
| | | | LM4051C (0.5%) | 1.2189 | 1.2250 | 1.2311 | |
| Reverse Breakdown Voltage Tolerance (Note 2) | V_{RTOL} | LM4051A | | ± 1.2 | ± 7 | mV | |
| | | LM4051B | | ± 2.4 | ± 9 | | |
| | | LM4051C | | ± 6.0 | ± 12 | | |
| Minimum Operating Current | I_{RMIN} | | | 45 | 60 | μA | |
| Average Reverse Voltage Temperature Coefficient (Notes 2, 3) | $\Delta V_R/\Delta T$ | $I_R = 10\text{mA}$ | | ± 20 | | ppm/°C | |
| | | $I_R = 1\text{mA}$ | | ± 15 | ± 50 | | |
| | | $I_R = 100\mu\text{A}$ | | ± 15 | | | |
| Reverse Breakdown Voltage Change with Operating Current Change | | $I_{\text{RMIN}} \leq I_R \leq 1\text{mA}$ | | 0.7 | 1.5 | mV | |
| | | $1\text{mA} \leq I_R \leq 12\text{mA}$ | | 2.5 | 8.0 | | |
| Reverse Dynamic Impedance (Note 3) | Z_R | $I_R = 1\text{mA}$, $f = 120\text{Hz}$, $I_{\text{AC}} = 0.1I_R$ | | 0.5 | 1.5 | Ω | |
| Wideband Noise | e_N | $I_R = 100\mu\text{A}$, $10\text{Hz} \leq f \leq 10\text{kHz}$ | | 20 | | μV_{RMS} | |
| Reverse Breakdown Voltage Long-Term Stability | ΔV_R | $T = 1000\text{h}$ | | 120 | | ppm | |

50ppm/°C Precision Micropower Shunt Voltage References with Multiple Reverse Breakdown Voltages

ELECTRICAL CHARACTERISTICS—2.048V

($I_R = 100\mu\text{A}$, $T_A = T_{\text{MIN}}$ to T_{MAX} , unless otherwise noted. Typical values are at $T_A = +25^\circ\text{C}$.) (Note 1)

| PARAMETER | SYMBOL | CONDITIONS | | MIN | TYP | MAX | UNITS |
|----------------------------------------------------------------|-----------------------|-----------------------------------------------------------------------|----------------|-----------|----------|------------------|----------|
| Reverse Breakdown Voltage | V_R | $T_A = +25^\circ\text{C}$ | LM4050A (0.1%) | 2.0460 | 2.0480 | 2.0500 | V |
| | | | LM4050B (0.2%) | 2.0439 | 2.0480 | 2.0521 | |
| | | | LM4050C (0.5%) | 2.0378 | 2.0480 | 2.0582 | |
| Reverse Breakdown Voltage Tolerance (Note 2) | V_{RTOL} | LM4050A | | ± 2.0 | ± 12 | mV | |
| | | LM4050B | | ± 4.0 | ± 14 | | |
| | | LM4050C | | ± 10 | ± 20 | | |
| Minimum Operating Current | I_{RMIN} | | | 45 | 65 | μA | |
| Average Reverse Voltage Temperature Coefficient (Notes 2, 3) | $\Delta V_R/\Delta T$ | $I_R = 10\text{mA}$ | | ± 20 | | ppm/°C | |
| | | $I_R = 1\text{mA}$ | | ± 15 | ± 50 | | |
| | | $I_R = 100\mu\text{A}$ | | ± 15 | | | |
| Reverse Breakdown Voltage Change with Operating Current Change | | $I_{\text{RMIN}} \leq I_R \leq 1\text{mA}$ | | 0.3 | 1.0 | mV | |
| | | $1\text{mA} \leq I_R \leq 15\text{mA}$ | | 2.5 | 8.0 | | |
| Reverse Dynamic Impedance (Note 3) | Z_R | $I_R = 1\text{mA}$, $f = 120\text{Hz}$, $I_{\text{AC}} = 0.1I_R$ | LM4050A/B | | 0.3 | 0.8 | Ω |
| | | | LM4050C | | 0.3 | 0.9 | |
| Wideband Noise | e_N | $I_R = 100\mu\text{A}$, $10\text{Hz} \leq f \leq 10\text{kHz}$ | | | 28 | μVRMS | |
| Reverse Breakdown Voltage Long-Term Stability | ΔV_R | $T = 1000\text{h}$ | | | 120 | ppm | |

LM4050/LM4051

50ppm/°C Precision Micropower Shunt Voltage References with Multiple Reverse Breakdown Voltages

ELECTRICAL CHARACTERISTICS—2.500V

($I_R = 100\mu\text{A}$, $T_A = T_{\text{MIN}}$ to T_{MAX} , unless otherwise noted. Typical values are at $T_A = +25^\circ\text{C}$.) (Note 1)

| PARAMETER | SYMBOL | CONDITIONS | | MIN | TYP | MAX | UNITS |
|----------------------------------------------------------------|-----------------------|-----------------------------------------------------------------------|----------------|-----------|----------|---------------|------------------|
| Reverse Breakdown Voltage | V_R | $T_A = +25^\circ\text{C}$ | LM4050A (0.1%) | 2.4975 | 2.5000 | 2.5025 | V |
| | | | LM4050B (0.2%) | 2.4950 | 2.5000 | 2.5050 | |
| | | | LM4050C (0.5%) | 2.4875 | 2.5000 | 2.5125 | |
| Reverse Breakdown Voltage Tolerance (Note 2) | V_{RTOL} | LM4050A | | ± 2.5 | ± 15 | mV | |
| | | LM4050B | | ± 5.0 | ± 18 | | |
| | | LM4050C | | ± 13 | ± 25 | | |
| Minimum Operating Current | I_{RMIN} | | | 45 | 65 | μA | |
| Average Reverse Voltage Temperature Coefficient (Notes 2, 3) | $\Delta V_R/\Delta T$ | $I_R = 10\text{mA}$ | | ± 20 | | ppm/°C | |
| | | $I_R = 1\text{mA}$ | | ± 15 | ± 50 | | |
| | | $I_R = 100\mu\text{A}$ | | ± 15 | | | |
| Reverse Breakdown Voltage Change with Operating Current Change | | $I_{\text{RMIN}} \leq I_R \leq 1\text{mA}$ | | 0.3 | 1.0 | mV | |
| | | $1\text{mA} \leq I_R \leq 15\text{mA}$ | | 2.5 | 8.0 | | |
| Reverse Dynamic Impedance (Note 3) | Z_R | $I_R = 1\text{mA}$, $f = 120\text{Hz}$, $I_{\text{AC}} = 0.1I_R$ | LM4050A/B | | 0.3 | 0.8 | Ω |
| | | | LM4050C | | 0.3 | 0.9 | |
| Wideband Noise | e_N | $I_R = 100\mu\text{A}$, $10\text{Hz} \leq f \leq 10\text{kHz}$ | | | 35 | | μVRMS |
| Reverse Breakdown Voltage Long-Term Stability | ΔV_R | $T = 1000\text{h}$ | | | 120 | | ppm |

50ppm/°C Precision Micropower Shunt Voltage References with Multiple Reverse Breakdown Voltages

LM4050/LM4051

ELECTRICAL CHARACTERISTICS—3.000V

($I_R = 100\mu\text{A}$, $T_A = T_{\text{MIN}}$ to T_{MAX} , unless otherwise noted. Typical values are at $T_A = +25^\circ\text{C}$.) (Note 1)

| PARAMETER | SYMBOL | CONDITIONS | | MIN | TYP | MAX | UNITS |
|----------------------------------------------------------------|-----------------------|-----------------------------------------------------------------------|----------------|-----------|----------|------------------|----------|
| Reverse Breakdown Voltage | V_R | $T_A = +25^\circ\text{C}$ | LM4050A (0.1%) | 2.9970 | 3.0000 | 3.0030 | V |
| | | | LM4050B (0.2%) | 2.9940 | 3.0000 | 3.0060 | |
| | | | LM4050C (0.5%) | 2.9850 | 3.0000 | 3.0150 | |
| Reverse Breakdown Voltage Tolerance (Note 2) | V_{RTOL} | LM4050A | | ± 3.0 | ± 18 | mV | |
| | | LM4050B | | ± 6.0 | ± 21 | | |
| | | LM4050C | | ± 15 | ± 30 | | |
| Minimum Operating Current | I_{RMIN} | | | 45 | 67 | μA | |
| Average Reverse Voltage Temperature Coefficient (Notes 2, 3) | $\Delta V_R/\Delta T$ | $I_R = 10\text{mA}$ | | ± 20 | | ppm/°C | |
| | | $I_R = 1\text{mA}$ | | ± 15 | ± 50 | | |
| | | $I_R = 100\mu\text{A}$ | | ± 15 | | | |
| Reverse Breakdown Voltage Change with Operating Current Change | | $I_{\text{RMIN}} \leq I_R \leq 1\text{mA}$ | | 0.3 | 1.0 | mV | |
| | | $1\text{mA} \leq I_R \leq 15\text{mA}$ | | 2.5 | 8.0 | | |
| Reverse Dynamic Impedance (Note 3) | Z_R | $I_R = 1\text{mA}$, $f = 120\text{Hz}$, $I_{\text{AC}} = 0.1I_R$ | LM4050A/B | | 0.3 | 0.8 | Ω |
| | | | LM4050C | | 0.3 | 0.9 | |
| Wideband Noise | e_N | $I_R = 100\mu\text{A}$, $10\text{Hz} \leq f \leq 10\text{kHz}$ | | 45 | | μVRMS | |
| Reverse Breakdown Voltage Long-Term Stability | ΔV_R | $T = 1000\text{h}$ | | 120 | | ppm | |

ELECTRICAL CHARACTERISTICS—3.300V

($I_R = 100\mu\text{A}$, $T_A = T_{\text{MIN}}$ to T_{MAX} , unless otherwise noted. Typical values are at $T_A = +25^\circ\text{C}$.) (Note 1)

| PARAMETER | SYMBOL | CONDITIONS | | MIN | TYP | MAX | UNITS |
|----------------------------------------------------------------|-----------------------|-----------------------------------------------------------------------|----------------|-----------|----------|------------------|----------|
| Reverse Breakdown Voltage | V_R | $T_A = +25^\circ\text{C}$ | LM4050A (0.1%) | 3.2967 | 3.3000 | 3.3033 | V |
| | | | LM4050B (0.2%) | 3.2934 | 3.3000 | 3.3066 | |
| | | | LM4050C (0.5%) | 3.2835 | 3.3000 | 3.3165 | |
| Reverse Breakdown Voltage Tolerance (Note 2) | V_{RTOL} | LM4050A | | ± 3.0 | ± 18 | mV | |
| | | LM4050B | | ± 6.0 | ± 21 | | |
| | | LM4050C | | ± 15 | ± 30 | | |
| Minimum Operating Current | I_{RMIN} | | | 45 | 67 | μA | |
| Average Reverse Voltage Temperature Coefficient (Notes 2, 3) | $\Delta V_R/\Delta T$ | $I_R = 10\text{mA}$ | | ± 20 | | ppm/°C | |
| | | $I_R = 1\text{mA}$ | | ± 15 | ± 50 | | |
| | | $I_R = 100\mu\text{A}$ | | ± 15 | | | |
| Reverse Breakdown Voltage Change with Operating Current Change | | $I_{\text{RMIN}} \leq I_R \leq 1\text{mA}$ | | 0.3 | 1.0 | mV | |
| | | $1\text{mA} \leq I_R \leq 15\text{mA}$ | | 2.5 | 8.0 | | |
| Reverse Dynamic Impedance (Note 3) | Z_R | $I_R = 1\text{mA}$, $f = 120\text{Hz}$, $I_{\text{AC}} = 0.1I_R$ | LM4050A/B | | 0.3 | 0.8 | Ω |
| | | | LM4050C | | 0.3 | 0.9 | |
| Wideband Noise | e_N | $I_R = 100\mu\text{A}$, $10\text{Hz} \leq f \leq 10\text{kHz}$ | | 50 | | μVRMS | |
| Reverse Breakdown Voltage Long-Term Stability | ΔV_R | $T = 1000\text{h}$ | | 120 | | ppm | |

50ppm/°C Precision Micropower Shunt Voltage References with Multiple Reverse Breakdown Voltages

ELECTRICAL CHARACTERISTICS—4.096V

($I_R = 100\mu\text{A}$, $T_A = T_{\text{MIN}}$ to T_{MAX} , unless otherwise noted. Typical values are at $T_A = +25^\circ\text{C}$.) (Note 1)

| PARAMETER | SYMBOL | CONDITIONS | MIN | TYP | MAX | UNITS | |
|----------------------------------------------------------------|-----------------------|--------------------------------------------------------------------|----------------|-----------|----------|------------------|---|
| Reverse Breakdown Voltage | V_R | $T_A = +25^\circ\text{C}$ | LM4050A (0.1%) | 4.0919 | 4.0960 | 4.1001 | V |
| | | | LM4050B (0.2%) | 4.0878 | 4.0960 | 4.1042 | |
| | | | LM4050C (0.5%) | 4.0755 | 4.0960 | 4.1165 | |
| Reverse Breakdown Voltage Tolerance (Note 2) | V_{RTOL} | LM4050A | | ± 4.1 | ± 25 | mV | |
| | | LM4050B | | ± 8.2 | ± 29 | | |
| | | LM4050C | | ± 20 | ± 41 | | |
| Minimum Operating Current | I_{RMIN} | | 50 | 73 | | μA | |
| Average Reverse Voltage Temperature Coefficient (Notes 2, 3) | $\Delta V_R/\Delta T$ | $I_R = 10\text{mA}$ | | ± 30 | | ppm/°C | |
| | | $I_R = 1\text{mA}$ | | ± 20 | ± 50 | | |
| | | $I_R = 100\mu\text{A}$ | | ± 15 | | | |
| Reverse Breakdown Voltage Change with Operating Current Change | | $I_{\text{RMIN}} \leq I_R \leq 1\text{mA}$ | | 0.5 | 1.2 | mV | |
| | | $1\text{mA} \leq I_R \leq 15\text{mA}$ | | 3.0 | 10.0 | | |
| Reverse Dynamic Impedance (Note 3) | Z_R | $I_R = 1\text{mA}$, $f = 120\text{Hz}$, $I_{\text{AC}} = 0.1I_R$ | | 0.5 | 1.0 | Ω | |
| Wideband Noise | e_N | $I_R = 100\mu\text{A}$, $10\text{Hz} \leq f \leq 10\text{kHz}$ | | 64 | | μVRMS | |
| Reverse Breakdown Voltage Long-Term Stability | ΔV_R | $T = 1000\text{h}$ | | 120 | | ppm | |

50ppm/°C Precision Micropower Shunt Voltage References with Multiple Reverse Breakdown Voltages

LM4050/LM4051

ELECTRICAL CHARACTERISTICS—5.000V

($I_R = 100\mu\text{A}$, $T_A = T_{\text{MIN}}$ to T_{MAX} , unless otherwise noted. Typical values are at $T_A = +25^\circ\text{C}$.) (Note 1)

| PARAMETER | SYMBOL | CONDITIONS | MIN | TYP | MAX | UNITS | |
|----------------------------------------------------------------|-------------------------|--------------------------------------------------------------------|----------------|-----------|----------|------------------|---|
| Reverse Breakdown Voltage | V_R | $T_A = +25^\circ\text{C}$ | LM4050A (0.1%) | 4.9950 | 5.0000 | 5.0050 | V |
| | | | LM4050B (0.2%) | 4.9900 | 5.0000 | 5.0100 | |
| | | | LM4050C (0.5%) | 4.9750 | 5.0000 | 5.0250 | |
| Reverse Breakdown Voltage Tolerance (Note 2) | V_{RTOL} | LM4050A | | ± 5.0 | ± 30 | mV | |
| | | LM4050B | | ± 10 | ± 35 | | |
| | | LM4050C | | ± 25 | ± 50 | | |
| Minimum Operating Current | I_{RMIN} | | | 54 | 80 | μA | |
| Average Reverse Voltage Temperature Coefficient (Notes 2, 3) | $\Delta V_R / \Delta T$ | $I_R = 10\text{mA}$ | | ± 30 | | ppm/°C | |
| | | $I_R = 1\text{mA}$ | | ± 20 | ± 50 | | |
| | | $I_R = 100\mu\text{A}$ | | ± 15 | | | |
| Reverse Breakdown Voltage Change with Operating Current Change | | $I_{\text{RMIN}} \leq I_R \leq 1\text{mA}$ | | 0.5 | 1.4 | mV | |
| | | $1\text{mA} \leq I_R \leq 15\text{mA}$ | | 3.5 | 12.0 | | |
| Reverse Dynamic Impedance (Note 3) | Z_R | $I_R = 1\text{mA}$, $f = 120\text{Hz}$, $I_{\text{AC}} = 0.1I_R$ | | 0.5 | 1.1 | Ω | |
| Wideband Noise | e_N | $I_R = 100\mu\text{A}$, $10\text{Hz} \leq f \leq 10\text{kHz}$ | | 80 | | μVRMS | |
| Reverse Breakdown Voltage Long-Term Stability | ΔV_R | $T = 1000\text{h}$ | | 120 | | ppm | |

Note 1: All devices are 100% production tested at $+25^\circ\text{C}$ and are guaranteed by design for $T_A = T_{\text{MIN}}$ to T_{MAX} , as specified.

Note 2: The limit over the full temperature range for the reverse breakdown voltage tolerance is defined as:

$$[V_{\text{RTOL}}] \pm [(\Delta V_R / \Delta T) \times (\text{max}\Delta T) \times (V_R)]$$

where $\Delta V_R / \Delta T$ is the V_R temperature coefficient, $\text{max}\Delta T$ is the difference from the $+25^\circ\text{C}$ reference point to T_{MIN} or T_{MAX} , and V_R is the reverse breakdown voltage.

The total tolerance over the full temperature range for the different grades where $\text{max}\Delta T = +100^\circ\text{C}$ is shown below:

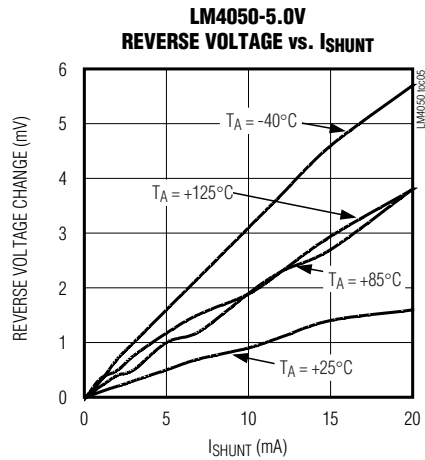
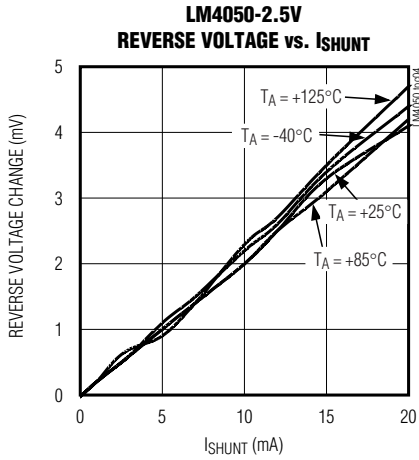
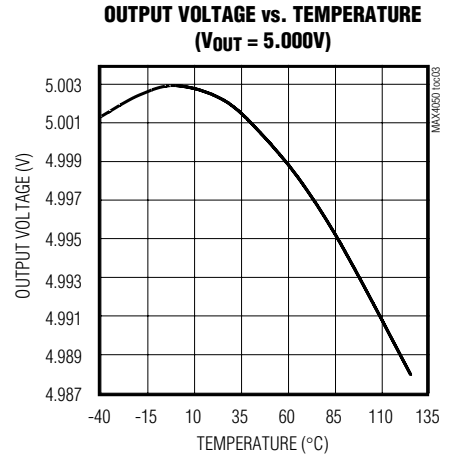
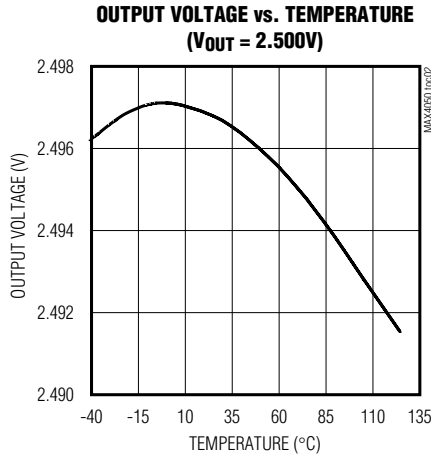
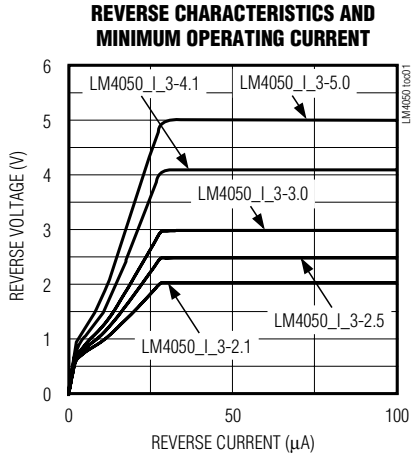
- A grade: $\pm 0.6\% = \pm 0.1\% \pm 50\text{ppm}/^\circ\text{C} \times 100^\circ\text{C}$
- B grade: $\pm 0.7\% = \pm 0.2\% \pm 50\text{ppm}/^\circ\text{C} \times 100^\circ\text{C}$
- C grade: $\pm 1.0\% = \pm 0.5\% \pm 50\text{ppm}/^\circ\text{C} \times 100^\circ\text{C}$

Note 3: Guaranteed by design.

50ppm/°C Precision Micropower Shunt Voltage References with Multiple Reverse Breakdown Voltages

Typical Operating Characteristics

($I_R = 100\mu A$, SC70-3 package, $T_A = +25^\circ C$, unless otherwise noted.)



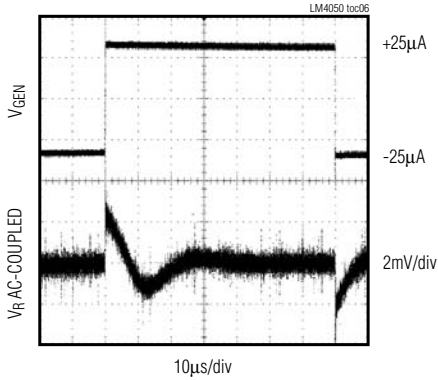
50ppm/°C Precision Micropower Shunt Voltage References with Multiple Reverse Breakdown Voltages

Typical Operating Characteristics (continued)

($I_R = 100\mu\text{A}$, SC70-3 package, $T_A = +25^\circ\text{C}$, unless otherwise noted.)

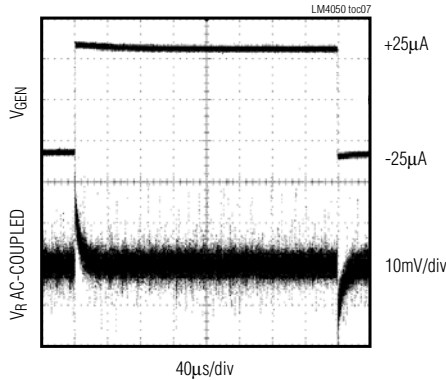
LM4050/LM4051

**LM4050-2.5V
LOAD-TRANSIENT RESPONSE**



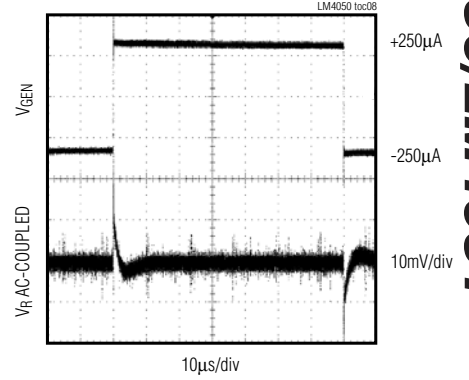
CH1: V_{GEN} 2V/div
CH2: V_R AC-COUPLED 2mV/div
 $I_{SHUNT} = 100\mu\text{A} \pm 25\mu\text{A}$, $R_L = 100\text{k}\Omega$, SEE FIGURE 1.

**LM4050-5.0V
LOAD-TRANSIENT RESPONSE**



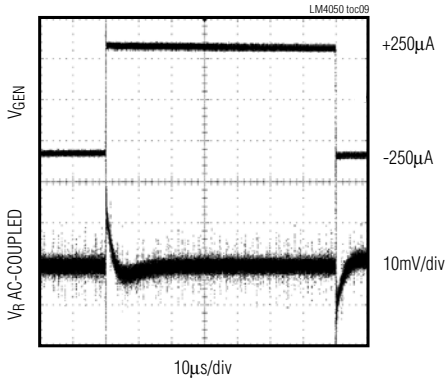
$I_{SHUNT} = 100\mu\text{A} \pm 25\mu\text{A}$
 $R_L = 100\text{k}\Omega$, SEE FIGURE 1.

**LM4050-2.5V
LOAD-TRANSIENT RESPONSE**



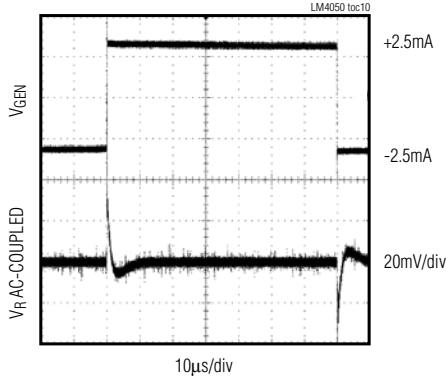
$I_{SHUNT} = 1\text{mA} \pm 250\mu\text{A}$
 $R_L = 10\text{k}\Omega$, SEE FIGURE 1.

**LM4050-5.0V
LOAD-TRANSIENT RESPONSE**



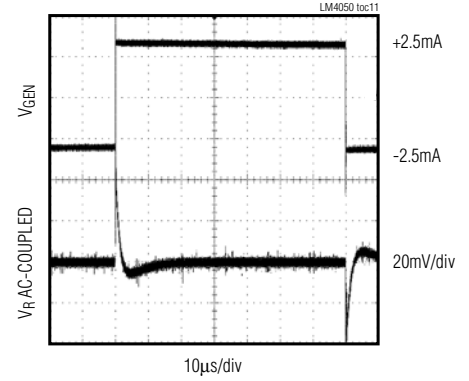
$I_{SHUNT} = 1\text{mA} \pm 250\mu\text{A}$
 $R_L = 10\text{k}\Omega$, SEE FIGURE 1.

**LM4050-2.5V
LOAD-TRANSIENT RESPONSE**



$I_{SHUNT} = 10\text{mA} \pm 2.5\text{mA}$
 $R_L = 1\text{k}\Omega$, SEE FIGURE 1.

**LM4050-5.0V
LOAD-TRANSIENT RESPONSE**



$I_{SHUNT} = 10\text{mA} \pm 2.5\text{mA}$
 $R_L = 1\text{k}\Omega$, SEE FIGURE 1.

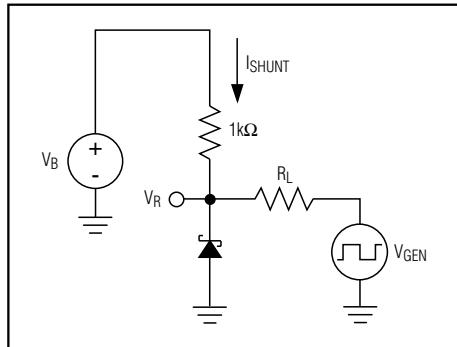


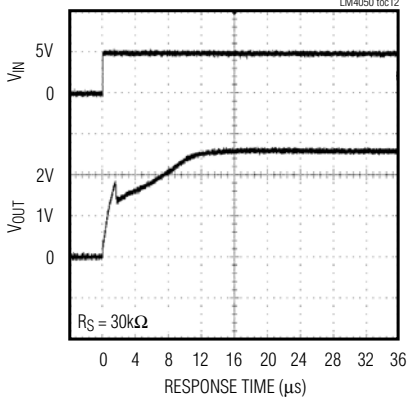
Figure 1. Load-Transient Test Circuit

50ppm/°C Precision Micropower Shunt Voltage References with Multiple Reverse Breakdown Voltages

Typical Operating Characteristics (continued)

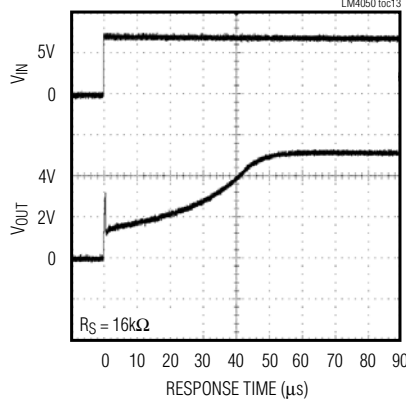
($I_R = 100\mu\text{A}$, SC70-3 package, $T_A = +25^\circ\text{C}$, unless otherwise noted.)

**LM4050-2.5V
STARTUP CHARACTERISTICS**



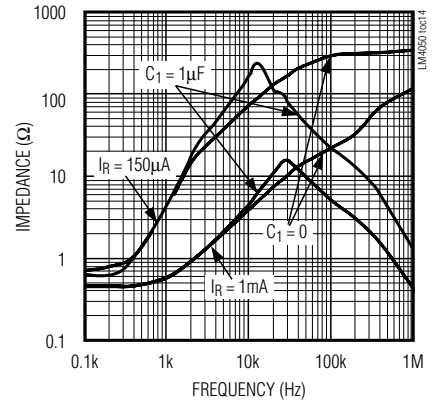
SEE FIGURE 2.

**LM4050-5.0V
STARTUP CHARACTERISTICS**

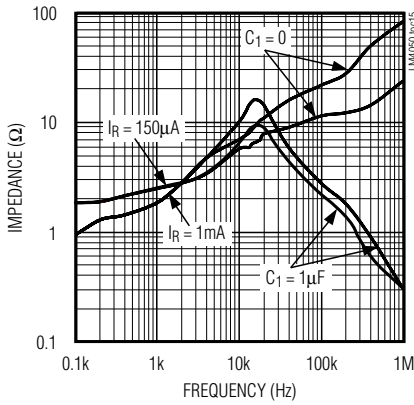


SEE FIGURE 2.

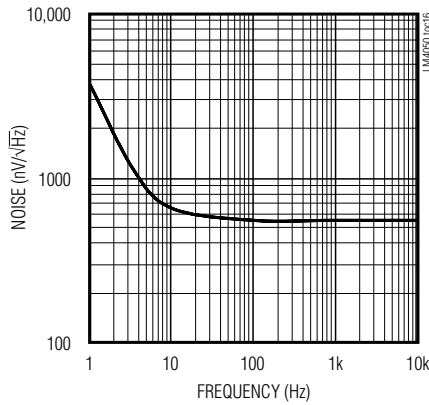
**LM4050-2.5V
OUTPUT IMPEDANCE vs. FREQUENCY**



**LM4050-5.0V
OUTPUT IMPEDANCE vs. FREQUENCY**



**LM4050-2.5V
NOISE vs. FREQUENCY**



**LM4050-5.0V
NOISE vs. FREQUENCY**

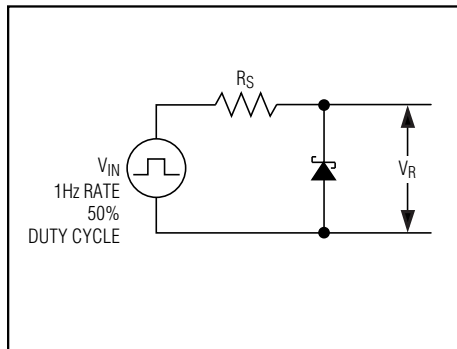
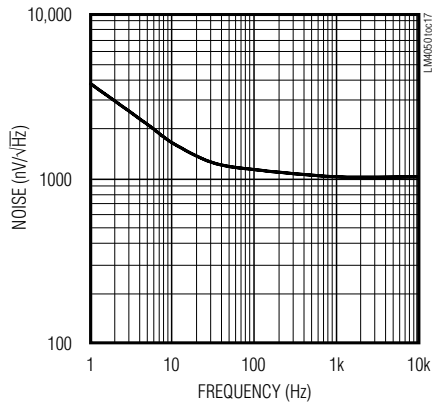


Figure 2. Startup Characteristics Test Circuit

50ppm/°C Precision Micropower Shunt Voltage References with Multiple Reverse Breakdown Voltages

LM4050/LM4051

Pin Description

| PIN | NAME | FUNCTION |
|-----|------|------------------------------------------------------------------|
| 1 | + | Positive Terminal of the Shunt Reference |
| 2 | - | Negative Terminal of the Shunt Reference |
| 3 | N.C. | No connection. Leave this pin unconnected or connected to pin 2. |

Detailed Description

The LM4050/LM4051 shunt references use the bandgap principle to produce a stable, accurate voltage. The device behaves similarly to an ideal zener diode; a fixed voltage is maintained across its output terminals when biased with 60µA to 15mA of reverse current. The LM4050/LM4051 clamps to a voltage of one diode drop below ground when biased with forward currents up to 10mA.

Figure 3 shows a typical operating circuit. The LM4050/LM4051 are ideal for providing stable references from a high-voltage power supply.

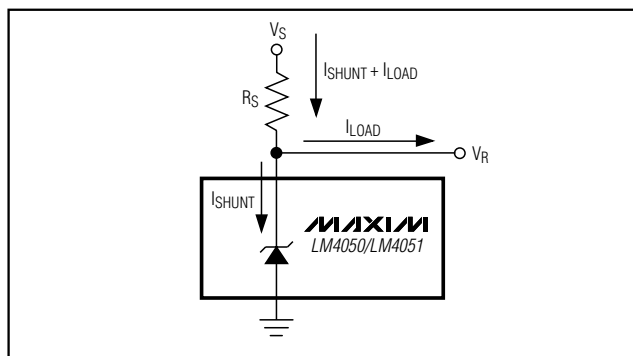


Figure 3. Typical Operating Circuit

Applications Information

The LM4050/LM4051s' internal pass transistors are used to maintain a constant output voltage (V_{SHUNT}) by sinking the necessary amount of current across a source resistor. The source resistance (R_S) is determined from the load current (I_{LOAD}) range, supply voltage (V_S) variations, V_{SHUNT} , and desired quiescent current.

Choose the value of R_S when V_S is at a minimum and I_{LOAD} is at a maximum. Maintain a minimum I_{SHUNT} of 60µA at all times. The R_S value should be large enough to keep I_{SHUNT} less than 15mA for proper regulation when V_S is maximum and I_{LOAD} is at a minimum. To prevent damage to the device, I_{SHUNT} should never exceed 20mA.

Therefore, the value of R_S is bounded by the following equation:

$$\frac{[V_S(\text{MIN}) - V_R]}{[60\mu\text{A} + I_{LOAD}(\text{MAX})]} > R_S > \frac{[V_S(\text{MAX}) - V_R]}{[20\text{mA} + I_{LOAD}(\text{MIN})]}$$

Choosing a larger resistance minimizes the total power dissipation in the circuit by reducing the shunt current ($P_{D(TOTAL)} = V_S \times I_{SHUNT}$). Provide a safety margin to incorporate the worst-case tolerance of the resistor used. Ensure that the resistor's power rating is adequate, using the following general power equation:

$$P_{DR} = I_{SHUNT} \times (V_S(\text{MAX}) - V_{SHUNT})$$

Output Capacitance

The LM4050/LM4051 do not require external capacitors for frequency stability and are stable for any output capacitance.

Temperature Performance

The LM4050/LM4051 typically exhibit output voltage temperature coefficients within $\pm 15\text{ppm}/^\circ\text{C}$. The polarity of the temperature coefficients may be different from one device to another; some may have positive coefficients, and others may have negative coefficients.

High Temperature Operation

The maximum junction temperature of the LM4050/LM4051 is $+150^\circ\text{C}$. The maximum operating temperature for the LM4050/LM4051_E_ is $+125^\circ\text{C}$. At a maximum load current of 15mA and a maximum output voltage of 5V, the parts dissipate 75mW of power. The power dissipation limits of the 3-pin SC70 call for a derating value of $2.17\text{mW}/^\circ\text{C}$ above $+70^\circ\text{C}$ and thus for 75mW of power dissipation, the parts self-heat to 35.56°C above ambient temperature. If the ambient temperature is $+125^\circ\text{C}$, the parts operate at 159.56°C , thereby exceeding the maximum junction temperature value of $+150^\circ\text{C}$. For high-temperature operation, care must be taken to ensure the combination of ambient temperature, output power dissipation, and package thermal resistance does not conspire to raise the device temperature beyond that listed in the *Absolute Maximum Ratings*. Either reduce the output load current or the ambient temperature to keep the part within the limits.

Chip Information

TRANSISTOR COUNT: 60

PROCESS: BiCMOS

50ppm/°C Precision Micropower Shunt Voltage References with Multiple Reverse Breakdown Voltages

Ordering Information

LM4050/LM4051

| PART | OUTPUT VOLTAGE (V) | INITIAL ACCURACY (%) | TEMPCO (ppm/°C) | TEMP RANGE | PIN-PACKAGE | TOP MARK |
|------------------|--------------------|----------------------|-----------------|-----------------|-------------|----------|
| LM4050AEM3-2.1-T | 2.048 | 0.1 | 50 | -40°C to +125°C | 3 SOT23-3 | FZLN |
| LM4050AEX3-2.1-T | 2.048 | 0.1 | 50 | -40°C to +125°C | 3 SC70-3 | AJX |
| LM4050BEM3-2.1-T | 2.048 | 0.2 | 50 | -40°C to +125°C | 3 SOT23-3 | FZLO |
| LM4050BEX3-2.1-T | 2.048 | 0.2 | 50 | -40°C to +125°C | 3 SC70-3 | AJY |
| LM4050CEM3-2.1-T | 2.048 | 0.5 | 50 | -40°C to +125°C | 3 SOT23-3 | FZLP |
| LM4050CEX3-2.1-T | 2.048 | 0.5 | 50 | -40°C to +125°C | 3 SC70-3 | AJZ |
| LM4050AEM3-2.5-T | 2.500 | 0.1 | 50 | -40°C to +125°C | 3 SOT23-3 | FZLR |
| LM4050AEX3-2.5-T | 2.500 | 0.1 | 50 | -40°C to +125°C | 3 SC70-3 | AKB |
| LM4050BEM3-2.5-T | 2.500 | 0.2 | 50 | -40°C to +125°C | 3 SOT23-3 | FZLS |
| LM4050BEX3-2.5-T | 2.500 | 0.2 | 50 | -40°C to +125°C | 3 SC70-3 | AKC |
| LM4050CEM3-2.5-T | 2.500 | 0.5 | 50 | -40°C to +125°C | 3 SOT23-3 | FZLJ |
| LM4050CEX3-2.5-T | 2.500 | 0.5 | 50 | -40°C to +125°C | 3 SC70-3 | AKD |
| LM4050AEM3-3.0-T | 3.000 | 0.1 | 50 | -40°C to +125°C | 3 SOT23-3 | FZLV |
| LM4050AEX3-3.0-T | 3.000 | 0.1 | 50 | -40°C to +125°C | 3 SC70-3 | AKF |
| LM4050BEM3-3.0-T | 3.000 | 0.2 | 50 | -40°C to +125°C | 3 SOT23-3 | FZLW |
| LM4050BEX3-3.0-T | 3.000 | 0.2 | 50 | -40°C to +125°C | 3 SC70-3 | AKG |
| LM4050CEM3-3.0-T | 3.000 | 0.5 | 50 | -40°C to +125°C | 3 SOT23-3 | FZLX |
| LM4050CEX3-3.0-T | 3.000 | 0.5 | 50 | -40°C to +125°C | 3 SC70-3 | AKH |
| LM4050AEX3-3.3-T | 3.300 | 0.1 | 50 | -40°C to +125°C | 3 SC70-3 | AOC |
| LM4050BEX3-3.3-T | 3.300 | 0.2 | 50 | -40°C to +125°C | 3 SC70-3 | AOD |
| LM4050CEX3-3.3-T | 3.300 | 0.5 | 50 | -40°C to +125°C | 3 SC70-3 | AOE |
| LM4050AEM3-4.1-T | 4.096 | 0.1 | 50 | -40°C to +125°C | 3 SOT23-3 | FZLZ |
| LM4050AEX3-4.1-T | 4.096 | 0.1 | 50 | -40°C to +125°C | 3 SC70-3 | AKJ |
| LM4050BEM3-4.1-T | 4.096 | 0.2 | 50 | -40°C to +125°C | 3 SOT23-3 | FZMA |
| LM4050BEX3-4.1-T | 4.096 | 0.2 | 50 | -40°C to +125°C | 3 SC70-3 | AKK |
| LM4050CEM3-4.1-T | 4.096 | 0.5 | 50 | -40°C to +125°C | 3 SOT23-3 | FZMB |
| LM4050CEX3-4.1-T | 4.096 | 0.5 | 50 | -40°C to +125°C | 3 SC70-3 | AKL |
| LM4050AEM3-5.0-T | 5.000 | 0.1 | 50 | -40°C to +125°C | 3 SOT23-3 | FZMD |
| LM4050AEX3-5.0-T | 5.000 | 0.1 | 50 | -40°C to +125°C | 3 SC70-3 | AKN |
| LM4050BEM3-5.0-T | 5.000 | 0.2 | 50 | -40°C to +125°C | 3 SOT23-3 | FZME |
| LM4050BEX3-5.0-T | 5.000 | 0.2 | 50 | -40°C to +125°C | 3 SC70-3 | AKO |
| LM4050CEM3-5.0-T | 5.000 | 0.5 | 50 | -40°C to +125°C | 3 SOT23-3 | FZOA |
| LM4050CEX3-5.0-T | 5.000 | 0.5 | 50 | -40°C to +125°C | 3 SC70-3 | AKP |
| LM4051AEM3-1.2-T | 1.225 | 0.1 | 50 | -40°C to +125°C | 3 SOT23-3 | FZLJ |
| LM4051AEX3-1.2-T | 1.225 | 0.1 | 50 | -40°C to +125°C | 3 SC70-3 | AJT |
| LM4051BEM3-1.2-T | 1.225 | 0.2 | 50 | -40°C to +125°C | 3 SOT23-3 | FZLK |
| LM4051BEX3-1.2-T | 1.225 | 0.2 | 50 | -40°C to +125°C | 3 SC70-3 | AJU |
| LM4051CEM3-1.2-T | 1.225 | 0.5 | 50 | -40°C to +125°C | 3 SOT23-3 | FZLL |
| LM4051CEX3-1.2-T | 1.225 | 0.5 | 50 | -40°C to +125°C | 3 SC70-3 | AJV |

50ppm/°C Precision Micropower Shunt Voltage References with Multiple Reverse Breakdown Voltages

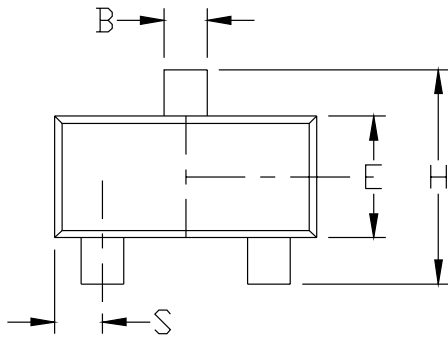
Package Information

(The package drawing(s) in this data sheet may not reflect the most current specifications. For the latest package outline information, go to www.maxim-ic.com/packages.)

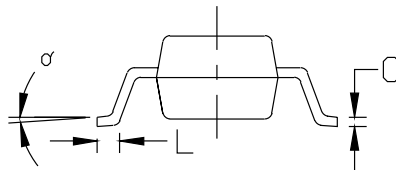
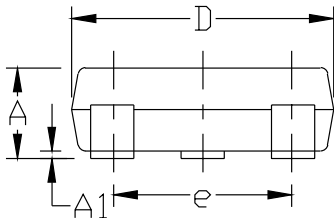
LM4050/LM4051

NOTES:

1. D&E DO NOT INCLUDE MOLD FLASH.
2. MOLD FLASH OR PROTRUSIONS NOT TO EXCEED .15mm (.006")
3. CONTROLLING DIMENSION: MILLIMETER



| DIM | INCHES | | MILLIMETERS | |
|----------|--------|-------|-------------|-------|
| | MIN | MAX | MIN | MAX |
| A | 0.031 | 0.047 | 0.787 | 1.194 |
| A1 | 0.001 | 0.005 | 0.025 | 0.127 |
| B | 0.014 | 0.022 | 0.356 | 0.559 |
| C | 0.0034 | 0.006 | 0.086 | 0.152 |
| D | 0.105 | 0.120 | 2.667 | 3.048 |
| E | 0.047 | 0.055 | 1.194 | 1.397 |
| e | 0.070 | 0.080 | 1.778 | 2.032 |
| H | 0.082 | 0.098 | 2.083 | 2.489 |
| L | 0.004 | 0.012 | 0.102 | 0.305 |
| S | 0.017 | 0.022 | 0.432 | 0.559 |
| α | 0° | 8° | 0° | 8° |

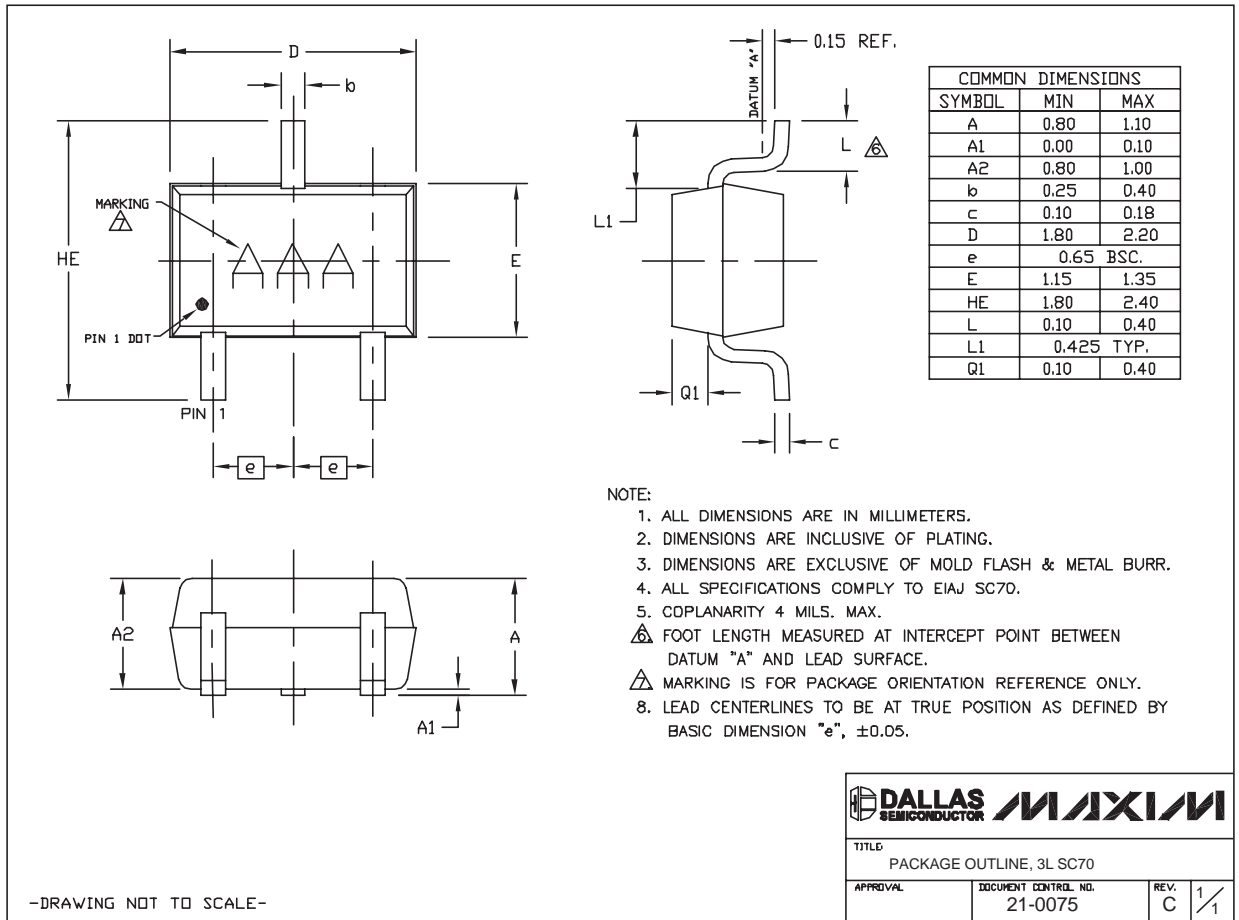


| | | |
|----------------------------------------|-------------------------------------|--------------------|
| MAXIM | | |
| <small>PROPRIETARY INFORMATION</small> | | |
| <small>TITLE:</small> | | |
| PACKAGE OUTLINE, SOT-23, 3L | | |
| <small>APPROVAL</small> | <small>DOCUMENT CONTROL NO.</small> | <small>REV</small> |
| | 21-0051 | C 1/1 |

50ppm/°C Precision Micropower Shunt Voltage References with Multiple Reverse Breakdown Voltages

Package Information (continued)

(The package drawing(s) in this data sheet may not reflect the most current specifications. For the latest package outline information, go to www.maxim-ic.com/packages.)



SC70, 3L-EPS

-DRAWING NOT TO SCALE-

| | | |
|--------------------------|----------------------|-------|
| | | |
| TITLED | | |
| PACKAGE OUTLINE, 3L SC70 | | |
| APPROVAL | DOCUMENT CONTROL NO. | REV. |
| | 21-0075 | C 1/1 |

Maxim cannot assume responsibility for use of any circuitry other than circuitry entirely embodied in a Maxim product. No circuit patent licenses are implied. Maxim reserves the right to change the circuitry and specifications without notice at any time.