



# Stellaris® LM3S6911 Microcontroller


## DATA SHEET

---

# Copyright

Copyright © 2007-2010 Texas Instruments Incorporated All rights reserved. Stellaris and StellarisWare are registered trademarks of Texas Instruments Incorporated. ARM and Thumb are registered trademarks and Cortex is a trademark of ARM Limited. Other names and brands may be claimed as the property of others.

PRODUCTION DATA information is current as of publication date. Products conform to specifications per the terms of Texas Instruments standard warranty. Production processing does not necessarily include testing of all parameters.

 Please be aware that an important notice concerning availability, standard warranty, and use in critical applications of Texas Instruments semiconductor products and disclaimers thereto appears at the end of this data sheet.

Texas Instruments Incorporated  
108 Wild Basin, Suite 350  
Austin, TX 78746  
<http://www.ti.com/stellaris>  
<http://www-k.ext.ti.com/sc/technical-support/product-information-centers.htm>



**TEXAS  
INSTRUMENTS**



**Cortex**  
Intelligent Processors by ARM

# Table of Contents

|   |           |
|---|-----------|
| <b>Revision History</b> .....                           | <b>18</b> |
| <b>About This Document</b> .....                        | <b>22</b> |
| Audience .....  | 22        |
| About This Manual .....                                 | 22        |
| Related Documents .....                                 | 22        |
| Documentation Conventions .....                         | 22        |
| <b>1 Architectural Overview</b> .....                   | <b>25</b> |
| 1.1 Product Features .....                              | 25        |
| 1.2 Target Applications .....                           | 32        |
| 1.3 High-Level Block Diagram .....                      | 32        |
| 1.4 Functional Overview .....                           | 34        |
| 1.4.1 ARM Cortex™-M3 .....                              | 34        |
| 1.4.2 Motor Control Peripherals .....                   | 34        |
| 1.4.3 Analog Peripherals .....                          | 35        |
| 1.4.4 Serial Communications Peripherals .....           | 35        |
| 1.4.5 System Peripherals .....                          | 37        |
| 1.4.6 Memory Peripherals .....                          | 37        |
| 1.4.7 Additional Features .....                         | 38        |
| 1.4.8 Hardware Details .....                            | 39        |
| <b>2 ARM Cortex-M3 Processor Core</b> .....             | <b>40</b> |
| 2.1 Block Diagram .....                                 | 41        |
| 2.2 Functional Description .....                        | 41        |
| 2.2.1 Serial Wire and JTAG Debug .....                  | 41        |
| 2.2.2 Embedded Trace Macrocell (ETM) .....              | 42        |
| 2.2.3 Trace Port Interface Unit (TPIU) .....            | 42        |
| 2.2.4 ROM Table .....                                   | 42        |
| 2.2.5 Memory Protection Unit (MPU) .....                | 42        |
| 2.2.6 Nested Vectored Interrupt Controller (NVIC) ..... | 42        |
| <b>3 Memory Map</b> .....                               | <b>46</b> |
| <b>4 Interrupts</b> .....                               | <b>48</b> |
| <b>5 JTAG Interface</b> .....                           | <b>51</b> |
| 5.1 Block Diagram .....                                 | 52        |
| 5.2 Functional Description .....                        | 52        |
| 5.2.1 JTAG Interface Pins .....                         | 52        |
| 5.2.2 JTAG TAP Controller .....                         | 54        |
| 5.2.3 Shift Registers .....                             | 55        |
| 5.2.4 Operational Considerations .....                  | 55        |
| 5.3 Initialization and Configuration .....              | 58        |
| 5.4 Register Descriptions .....                         | 58        |
| 5.4.1 Instruction Register (IR) .....                   | 58        |
| 5.4.2 Data Registers .....                              | 60        |
| <b>6 System Control</b> .....                           | <b>63</b> |
| 6.1 Functional Description .....                        | 63        |
| 6.1.1 Device Identification .....                       | 63        |

|          |   |            |
|----------|---|------------|
| 6.1.2    | Reset Control .....                                       | 63         |
| 6.1.3    | Power Control .....                                       | 66         |
| 6.1.4    | Clock Control .....                                       | 68         |
| 6.1.5    | System Control .....                                      | 71         |
| 6.2      | Initialization and Configuration .....                    | 72         |
| 6.3      | Register Map .....  | 72         |
| 6.4      | Register Descriptions .....                               | 73         |
| <b>7</b> | <b>Hibernation Module .....</b>                           | <b>124</b> |
| 7.1      | Block Diagram .....                                       | 125        |
| 7.2      | Functional Description .....                              | 125        |
| 7.2.1    | Register Access Timing .....                              | 125        |
| 7.2.2    | Clock Source .....  | 126        |
| 7.2.3    | Battery Management .....                                  | 127        |
| 7.2.4    | Real-Time Clock .....                                     | 127        |
| 7.2.5    | Non-Volatile Memory .....                                 | 128        |
| 7.2.6    | Power Control .....                                       | 128        |
| 7.2.7    | Initiating Hibernate .....                                | 128        |
| 7.2.8    | Interrupts and Status .....                               | 129        |
| 7.3      | Initialization and Configuration .....                    | 129        |
| 7.3.1    | Initialization .....                                      | 129        |
| 7.3.2    | RTC Match Functionality (No Hibernation) .....            | 129        |
| 7.3.3    | RTC Match/Wake-Up from Hibernation .....                  | 130        |
| 7.3.4    | External Wake-Up from Hibernation .....                   | 130        |
| 7.3.5    | RTC/External Wake-Up from Hibernation .....               | 130        |
| 7.4      | Register Map .....  | 130        |
| 7.5      | Register Descriptions .....                               | 131        |
| <b>8</b> | <b>Internal Memory .....</b>                              | <b>144</b> |
| 8.1      | Block Diagram .....                                       | 144        |
| 8.2      | Functional Description .....                              | 144        |
| 8.2.1    | SRAM Memory .....   | 144        |
| 8.2.2    | Flash Memory .....  | 145        |
| 8.3      | Flash Memory Initialization and Configuration .....       | 146        |
| 8.3.1    | Flash Programming .....                                   | 146        |
| 8.3.2    | Nonvolatile Register Programming .....                    | 147        |
| 8.4      | Register Map .....  | 148        |
| 8.5      | Flash Register Descriptions (Flash Control Offset) .....  | 149        |
| 8.6      | Flash Register Descriptions (System Control Offset) ..... | 157        |
| <b>9</b> | <b>General-Purpose Input/Outputs (GPIOs) .....</b>        | <b>170</b> |
| 9.1      | Functional Description .....                              | 170        |
| 9.1.1    | Data Control .....  | 171        |
| 9.1.2    | Interrupt Control .....                                   | 172        |
| 9.1.3    | Mode Control .....  | 173        |
| 9.1.4    | Commit Control .....                                      | 173        |
| 9.1.5    | Pad Control .....   | 173        |
| 9.1.6    | Identification .....                                      | 173        |
| 9.2      | Initialization and Configuration .....                    | 173        |
| 9.3      | Register Map .....  | 174        |
| 9.4      | Register Descriptions .....                               | 176        |

|           |  |            |
|-----------|--|------------|
| <b>10</b> | <b>General-Purpose Timers</b> .....                                | <b>211</b> |
| 10.1      | Block Diagram .....  | 211        |
| 10.2      | Functional Description .....                                       | 212        |
| 10.2.1    | GPTM Reset Conditions .....  | 213        |
| 10.2.2    | 32-Bit Timer Operating Modes .....                                 | 213        |
| 10.2.3    | 16-Bit Timer Operating Modes .....                                 | 214        |
| 10.3      | Initialization and Configuration .....                             | 218        |
| 10.3.1    | 32-Bit One-Shot/Periodic Timer Mode .....                          | 218        |
| 10.3.2    | 32-Bit Real-Time Clock (RTC) Mode .....                            | 219        |
| 10.3.3    | 16-Bit One-Shot/Periodic Timer Mode .....                          | 219        |
| 10.3.4    | 16-Bit Input Edge Count Mode .....                                 | 220        |
| 10.3.5    | 16-Bit Input Edge Timing Mode .....                                | 220        |
| 10.3.6    | 16-Bit PWM Mode .....  | 221        |
| 10.4      | Register Map .....   | 221        |
| 10.5      | Register Descriptions .....  | 222        |
| <b>11</b> | <b>Watchdog Timer</b> .....  | <b>247</b> |
| 11.1      | Block Diagram .....  | 248        |
| 11.2      | Functional Description .....                                       | 248        |
| 11.3      | Initialization and Configuration .....                             | 249        |
| 11.4      | Register Map .....   | 249        |
| 11.5      | Register Descriptions .....  | 250        |
| <b>12</b> | <b>Universal Asynchronous Receivers/Transmitters (UARTs)</b> ..... | <b>271</b> |
| 12.1      | Block Diagram .....  | 272        |
| 12.2      | Functional Description .....                                       | 272        |
| 12.2.1    | Transmit/Receive Logic .....                                       | 272        |
| 12.2.2    | Baud-Rate Generation .....   | 273        |
| 12.2.3    | Data Transmission .....  | 274        |
| 12.2.4    | Serial IR (SIR) .....  | 274        |
| 12.2.5    | FIFO Operation .....   | 275        |
| 12.2.6    | Interrupts .....   | 275        |
| 12.2.7    | Loopback Operation .....   | 276        |
| 12.2.8    | IrDA SIR block .....   | 276        |
| 12.3      | Initialization and Configuration .....                             | 276        |
| 12.4      | Register Map .....   | 277        |
| 12.5      | Register Descriptions .....  | 278        |
| <b>13</b> | <b>Synchronous Serial Interface (SSI)</b> .....                    | <b>312</b> |
| 13.1      | Block Diagram .....  | 312        |
| 13.2      | Functional Description .....                                       | 313        |
| 13.2.1    | Bit Rate Generation .....  | 313        |
| 13.2.2    | FIFO Operation .....   | 313        |
| 13.2.3    | Interrupts .....   | 313        |
| 13.2.4    | Frame Formats .....  | 314        |
| 13.3      | Initialization and Configuration .....                             | 321        |
| 13.4      | Register Map .....   | 322        |
| 13.5      | Register Descriptions .....  | 323        |
| <b>14</b> | <b>Inter-Integrated Circuit (I<sup>2</sup>C) Interface</b> .....   | <b>349</b> |
| 14.1      | Block Diagram .....  | 350        |

|           |  |            |
|-----------|--|------------|
| 14.2      | Functional Description .....                               | 350        |
| 14.2.1    | I <sup>2</sup> C Bus Functional Overview .....             | 350        |
| 14.2.2    | Available Speed Modes .....                                | 352        |
| 14.2.3    | Interrupts .....   | 353        |
| 14.2.4    | Loopback Operation .....                                   | 354        |
| 14.2.5    | Command Sequence Flow Charts .....                         | 354        |
| 14.3      | Initialization and Configuration .....                     | 361        |
| 14.4      | Register Map .....   | 362        |
| 14.5      | Register Descriptions (I <sup>2</sup> C Master) .....      | 363        |
| 14.6      | Register Descriptions (I <sup>2</sup> C Slave) .....       | 376        |
| <b>15</b> | <b>Ethernet Controller .....</b>                           | <b>385</b> |
| 15.1      | Block Diagram .....  | 385        |
| 15.2      | Functional Description .....                               | 386        |
| 15.2.1    | MAC Operation .....  | 386        |
| 15.2.2    | Internal MII Operation .....                               | 390        |
| 15.2.3    | PHY Operation .....  | 390        |
| 15.2.4    | Interrupts .....   | 391        |
| 15.3      | Initialization and Configuration .....                     | 392        |
| 15.3.1    | Hardware Configuration .....                               | 392        |
| 15.3.2    | Software Configuration .....                               | 393        |
| 15.4      | Ethernet Register Map .....                                | 393        |
| 15.5      | Ethernet MAC Register Descriptions .....                   | 395        |
| 15.6      | MII Management Register Descriptions .....                 | 413        |
| <b>16</b> | <b>Analog Comparators .....</b>                            | <b>432</b> |
| 16.1      | Block Diagram .....  | 432        |
| 16.2      | Functional Description .....                               | 433        |
| 16.2.1    | Internal Reference Programming .....                       | 433        |
| 16.3      | Initialization and Configuration .....                     | 434        |
| 16.4      | Register Map .....   | 435        |
| 16.5      | Register Descriptions .....                                | 435        |
| <b>17</b> | <b>Pin Diagram .....</b>                                   | <b>443</b> |
| <b>18</b> | <b>Signal Tables .....</b>                                 | <b>445</b> |
| 18.1      | 100-Pin LQFP Package Pin Tables .....                      | 445        |
| 18.2      | 108-Pin BGA Package Pin Tables .....                       | 457        |
| <b>19</b> | <b>Operating Characteristics .....</b>                     | <b>471</b> |
| <b>20</b> | <b>Electrical Characteristics .....</b>                    | <b>472</b> |
| 20.1      | DC Characteristics .....                                   | 472        |
| 20.1.1    | Maximum Ratings .....                                      | 472        |
| 20.1.2    | Recommended DC Operating Conditions .....                  | 472        |
| 20.1.3    | On-Chip Low Drop-Out (LDO) Regulator Characteristics ..... | 473        |
| 20.1.4    | GPIO Module Characteristics .....                          | 473        |
| 20.1.5    | Power Specifications .....                                 | 473        |
| 20.1.6    | Flash Memory Characteristics .....                         | 475        |
| 20.1.7    | Hibernation .....  | 475        |
| 20.2      | AC Characteristics .....                                   | 475        |
| 20.2.1    | Load Conditions .....                                      | 475        |
| 20.2.2    | Clocks .....   | 476        |

|          |   |            |
|----------|---|------------|
| 20.2.3   | JTAG and Boundary Scan .....                                | 477        |
| 20.2.4   | Reset .....   | 479        |
| 20.2.5   | Sleep Modes .....   | 481        |
| 20.2.6   | Hibernation Module .....                                    | 481        |
| 20.2.7   | General-Purpose I/O (GPIO) .....                            | 481        |
| 20.2.8   | Synchronous Serial Interface (SSI) .....                    | 482        |
| 20.2.9   | Inter-Integrated Circuit (I <sup>2</sup> C) Interface ..... | 483        |
| 20.2.10  | Ethernet Controller .....                                   | 484        |
| 20.2.11  | Analog Comparator .....                                     | 487        |
| <b>A</b> | <b>Serial Flash Loader .....</b>                            | <b>488</b> |
| A.1      | Serial Flash Loader .....                                   | 488        |
| A.2      | Interfaces .....  | 488        |
| A.2.1    | UART .....  | 488        |
| A.2.2    | SSI .....   | 488        |
| A.3      | Packet Handling .....                                       | 489        |
| A.3.1    | Packet Format .....   | 489        |
| A.3.2    | Sending Packets .....                                       | 489        |
| A.3.3    | Receiving Packets .....                                     | 489        |
| A.4      | Commands .....  | 490        |
| A.4.1    | COMMAND_PING (0x20) .....                                   | 490        |
| A.4.2    | COMMAND_GET_STATUS (0x23) .....                             | 490        |
| A.4.3    | COMMAND_DOWNLOAD (0x21) .....                               | 490        |
| A.4.4    | COMMAND_SEND_DATA (0x24) .....                              | 491        |
| A.4.5    | COMMAND_RUN (0x22) .....                                    | 491        |
| A.4.6    | COMMAND_RESET (0x25) .....                                  | 491        |
| <b>B</b> | <b>Register Quick Reference .....</b>                       | <b>493</b> |
| <b>C</b> | <b>Ordering and Contact Information .....</b>               | <b>508</b> |
| C.1      | Ordering Information .....                                  | 508        |
| C.2      | Part Markings .....   | 508        |
| C.3      | Kits .....  | 509        |
| C.4      | Support Information .....                                   | 509        |
| <b>D</b> | <b>Package Information .....</b>                            | <b>510</b> |

## List of Figures

|               |   |     |
|---------------|---|-----|
| Figure 1-1.   | Stellaris® LM3S6911 Microcontroller High-Level Block Diagram .....          | 33  |
| Figure 2-1.   | CPU Block Diagram .....   | 41  |
| Figure 2-2.   | TPIU Block Diagram .....  | 42  |
| Figure 5-1.   | JTAG Module Block Diagram .....   | 52  |
| Figure 5-2.   | Test Access Port State Machine .....  | 55  |
| Figure 5-3.   | IDCODE Register Format .....  | 61  |
| Figure 5-4.   | BYPASS Register Format .....  | 61  |
| Figure 5-5.   | Boundary Scan Register Format .....   | 62  |
| Figure 6-1.   | Basic $\overline{RST}$ Configuration .....                                  | 64  |
| Figure 6-2.   | External Circuitry to Extend Power-On Reset .....                           | 65  |
| Figure 6-3.   | Reset Circuit Controlled by Switch .....                                    | 65  |
| Figure 6-4.   | Power Architecture .....  | 67  |
| Figure 6-5.   | Main Clock Tree .....   | 69  |
| Figure 7-1.   | Hibernation Module Block Diagram .....                                      | 125 |
| Figure 7-2.   | Clock Source Using Crystal .....  | 126 |
| Figure 7-3.   | Clock Source Using Dedicated Oscillator .....                               | 127 |
| Figure 8-1.   | Flash Block Diagram .....   | 144 |
| Figure 9-1.   | GPIO Port Block Diagram .....   | 171 |
| Figure 9-2.   | GPIO DATA Write Example .....   | 172 |
| Figure 9-3.   | GPIO DATA Read Example .....  | 172 |
| Figure 10-1.  | GPTM Module Block Diagram .....   | 212 |
| Figure 10-2.  | 16-Bit Input Edge Count Mode Example .....                                  | 216 |
| Figure 10-3.  | 16-Bit Input Edge Time Mode Example .....                                   | 217 |
| Figure 10-4.  | 16-Bit PWM Mode Example .....   | 218 |
| Figure 11-1.  | WDT Module Block Diagram .....  | 248 |
| Figure 12-1.  | UART Module Block Diagram .....   | 272 |
| Figure 12-2.  | UART Character Frame .....  | 273 |
| Figure 12-3.  | IrDA Data Modulation .....  | 275 |
| Figure 13-1.  | SSI Module Block Diagram .....  | 312 |
| Figure 13-2.  | TI Synchronous Serial Frame Format (Single Transfer) .....                  | 315 |
| Figure 13-3.  | TI Synchronous Serial Frame Format (Continuous Transfer) .....              | 315 |
| Figure 13-4.  | Freescale SPI Format (Single Transfer) with SPO=0 and SPH=0 .....           | 316 |
| Figure 13-5.  | Freescale SPI Format (Continuous Transfer) with SPO=0 and SPH=0 .....       | 316 |
| Figure 13-6.  | Freescale SPI Frame Format with SPO=0 and SPH=1 .....                       | 317 |
| Figure 13-7.  | Freescale SPI Frame Format (Single Transfer) with SPO=1 and SPH=0 .....     | 318 |
| Figure 13-8.  | Freescale SPI Frame Format (Continuous Transfer) with SPO=1 and SPH=0 ..... | 318 |
| Figure 13-9.  | Freescale SPI Frame Format with SPO=1 and SPH=1 .....                       | 319 |
| Figure 13-10. | MICROWIRE Frame Format (Single Frame) .....                                 | 320 |
| Figure 13-11. | MICROWIRE Frame Format (Continuous Transfer) .....                          | 321 |
| Figure 13-12. | MICROWIRE Frame Format, SSIFss Input Setup and Hold Requirements .....      | 321 |
| Figure 14-1.  | I <sup>2</sup> C Block Diagram .....  | 350 |
| Figure 14-2.  | I <sup>2</sup> C Bus Configuration .....                                    | 350 |
| Figure 14-3.  | START and STOP Conditions .....   | 351 |
| Figure 14-4.  | Complete Data Transfer with a 7-Bit Address .....                           | 351 |
| Figure 14-5.  | R/S Bit in First Byte .....   | 351 |



|               |  |     |
|---------------|--|-----|
| Figure 14-6.  | Data Validity During Bit Transfer on the I <sup>2</sup> C Bus .....                  | 352 |
| Figure 14-7.  | Master Single SEND .....   | 355 |
| Figure 14-8.  | Master Single RECEIVE .....  | 356 |
| Figure 14-9.  | Master Burst SEND .....  | 357 |
| Figure 14-10. | Master Burst RECEIVE .....   | 358 |
| Figure 14-11. | Master Burst RECEIVE after Burst SEND .....  | 359 |
| Figure 14-12. | Master Burst SEND after Burst RECEIVE .....  | 360 |
| Figure 14-13. | Slave Command Sequence .....   | 361 |
| Figure 15-1.  | Ethernet Controller .....  | 386 |
| Figure 15-2.  | Ethernet Controller Block Diagram .....  | 386 |
| Figure 15-3.  | Ethernet Frame .....   | 387 |
| Figure 15-4.  | Interface to an Ethernet Jack .....  | 392 |
| Figure 16-1.  | Analog Comparator Module Block Diagram .....   | 432 |
| Figure 16-2.  | Structure of Comparator Unit .....   | 433 |
| Figure 16-3.  | Comparator Internal Reference Structure .....  | 434 |
| Figure 17-1.  | 100-Pin LQFP Package Pin Diagram .....   | 443 |
| Figure 17-2.  | 108-Ball BGA Package Pin Diagram (Top View) .....                                    | 444 |
| Figure 20-1.  | Load Conditions .....  | 476 |
| Figure 20-2.  | JTAG Test Clock Input Timing .....   | 478 |
| Figure 20-3.  | JTAG Test Access Port (TAP) Timing .....   | 478 |
| Figure 20-4.  | JTAG TRST Timing .....   | 479 |
| Figure 20-5.  | External Reset Timing ( $\overline{\text{RST}}$ ) .....                              | 479 |
| Figure 20-6.  | Power-On Reset Timing .....  | 480 |
| Figure 20-7.  | Brown-Out Reset Timing .....   | 480 |
| Figure 20-8.  | Software Reset Timing .....  | 480 |
| Figure 20-9.  | Watchdog Reset Timing .....  | 480 |
| Figure 20-10. | Hibernation Module Timing .....  | 481 |
| Figure 20-11. | SSI Timing for TI Frame Format (FRF=01), Single Transfer Timing<br>Measurement ..... | 482 |
| Figure 20-12. | SSI Timing for MICROWIRE Frame Format (FRF=10), Single Transfer .....                | 483 |
| Figure 20-13. | SSI Timing for SPI Frame Format (FRF=00), with SPH=1 .....                           | 483 |
| Figure 20-14. | I <sup>2</sup> C Timing .....  | 484 |
| Figure 20-15. | External XTLP Oscillator Characteristics .....                                       | 487 |
| Figure D-1.   | 100-Pin LQFP Package .....   | 510 |
| Figure D-2.   | 108-Ball BGA Package .....   | 512 |

## List of Tables

|             |  |     |
|-------------|--|-----|
| Table 1.    | Revision History .....   | 18  |
| Table 2.    | Documentation Conventions .....  | 22  |
| Table 3-1.  | Memory Map .....   | 46  |
| Table 4-1.  | Exception Types .....  | 48  |
| Table 4-2.  | Interrupts .....   | 49  |
| Table 5-1.  | JTAG Port Pins Reset State .....   | 53  |
| Table 5-2.  | JTAG Instruction Register Commands .....                                 | 58  |
| Table 6-1.  | System Control Register Map .....  | 72  |
| Table 7-1.  | Hibernation Module Register Map .....                                    | 130 |
| Table 8-1.  | Flash Protection Policy Combinations .....                               | 145 |
| Table 8-2.  | User-Programmable Flash Memory Resident Registers .....                  | 147 |
| Table 8-3.  | Flash Register Map .....   | 148 |
| Table 9-1.  | GPIO Pad Configuration Examples .....                                    | 174 |
| Table 9-2.  | GPIO Interrupt Configuration Example .....                               | 174 |
| Table 9-3.  | GPIO Register Map .....  | 175 |
| Table 10-1. | Available CCP Pins .....   | 212 |
| Table 10-2. | 16-Bit Timer With Prescaler Configurations .....                         | 215 |
| Table 10-3. | Timers Register Map .....  | 221 |
| Table 11-1. | Watchdog Timer Register Map .....  | 249 |
| Table 12-1. | UART Register Map .....  | 277 |
| Table 13-1. | SSI Register Map .....   | 322 |
| Table 14-1. | Examples of I <sup>2</sup> C Master Timer Period versus Speed Mode ..... | 353 |
| Table 14-2. | Inter-Integrated Circuit (I <sup>2</sup> C) Interface Register Map ..... | 362 |
| Table 14-3. | Write Field Decoding for I2CMCS[3:0] Field (Sheet 1 of 3) .....          | 367 |
| Table 15-1. | TX & RX FIFO Organization .....  | 388 |
| Table 15-2. | Ethernet Register Map .....  | 394 |
| Table 16-1. | Internal Reference Voltage and ACREFCTL Field Values .....               | 434 |
| Table 16-2. | Analog Comparators Register Map .....                                    | 435 |
| Table 18-1. | Signals by Pin Number .....  | 445 |
| Table 18-2. | Signals by Signal Name .....   | 449 |
| Table 18-3. | Signals by Function, Except for GPIO .....                               | 453 |
| Table 18-4. | GPIO Pins and Alternate Functions .....                                  | 456 |
| Table 18-5. | Signals by Pin Number .....  | 457 |
| Table 18-6. | Signals by Signal Name .....   | 462 |
| Table 18-7. | Signals by Function, Except for GPIO .....                               | 466 |
| Table 18-8. | GPIO Pins and Alternate Functions .....                                  | 469 |
| Table 19-1. | Temperature Characteristics .....  | 471 |
| Table 19-2. | Thermal Characteristics .....  | 471 |
| Table 19-3. | ESD Absolute Maximum Ratings .....                                       | 471 |
| Table 20-1. | Maximum Ratings .....  | 472 |
| Table 20-2. | Recommended DC Operating Conditions .....                                | 472 |
| Table 20-3. | LDO Regulator Characteristics .....                                      | 473 |
| Table 20-4. | GPIO Module DC Characteristics .....                                     | 473 |
| Table 20-5. | Detailed Power Specifications .....                                      | 474 |
| Table 20-6. | Flash Memory Characteristics .....                                       | 475 |
| Table 20-7. | Hibernation Module DC Characteristics .....                              | 475 |

---

|              |  |     |
|--------------|--|-----|
| Table 20-8.  | Phase Locked Loop (PLL) Characteristics .....              | 476 |
| Table 20-9.  | Actual PLL Frequency .....                                 | 476 |
| Table 20-10. | Clock Characteristics .....                                | 476 |
| Table 20-11. | Crystal Characteristics .....                              | 477 |
| Table 20-12. | JTAG Characteristics .....                                 | 477 |
| Table 20-13. | Reset Characteristics .....                                | 479 |
| Table 20-14. | Sleep Modes AC Characteristics .....                       | 481 |
| Table 20-15. | Hibernation Module AC Characteristics .....                | 481 |
| Table 20-16. | GPIO Characteristics .....                                 | 482 |
| Table 20-17. | SSI Characteristics .....                                  | 482 |
| Table 20-18. | I <sup>2</sup> C Characteristics .....                     | 483 |
| Table 20-19. | 100BASE-TX Transmitter Characteristics .....               | 484 |
| Table 20-20. | 100BASE-TX Transmitter Characteristics (informative) ..... | 484 |
| Table 20-21. | 100BASE-TX Receiver Characteristics .....                  | 485 |
| Table 20-22. | 10BASE-T Transmitter Characteristics .....                 | 485 |
| Table 20-23. | 10BASE-T Transmitter Characteristics (informative) .....   | 485 |
| Table 20-24. | 10BASE-T Receiver Characteristics .....                    | 485 |
| Table 20-25. | Isolation Transformers .....                               | 485 |
| Table 20-26. | Ethernet Reference Crystal .....                           | 486 |
| Table 20-27. | External XTLP Oscillator Characteristics .....             | 487 |
| Table 20-28. | Analog Comparator Characteristics .....                    | 487 |
| Table 20-29. | Analog Comparator Voltage Reference Characteristics .....  | 487 |
| Table C-1.   | Part Ordering Information .....                            | 508 |

## List of Registers

|  |            |
|--|------------|
| <b>System Control</b> .....  | <b>63</b>  |
| Register 1: Device Identification 0 (DID0), offset 0x000 .....                           | 74         |
| Register 2: Brown-Out Reset Control (PBORCTL), offset 0x030 .....                        | 76         |
| Register 3: LDO Power Control (LDOPCTL), offset 0x034 .....                              | 77         |
| Register 4: Raw Interrupt Status (RIS), offset 0x050 .....                               | 78         |
| Register 5: Interrupt Mask Control (IMC), offset 0x054 .....                             | 79         |
| Register 6: Masked Interrupt Status and Clear (MISC), offset 0x058 .....                 | 80         |
| Register 7: Reset Cause (RESC), offset 0x05C .....                                       | 81         |
| Register 8: Run-Mode Clock Configuration (RCC), offset 0x060 .....                       | 82         |
| Register 9: XTAL to PLL Translation (PLLCFG), offset 0x064 .....                         | 86         |
| Register 10: Run-Mode Clock Configuration 2 (RCC2), offset 0x070 .....                   | 87         |
| Register 11: Deep Sleep Clock Configuration (DSLPCCLKCFG), offset 0x144 .....            | 89         |
| Register 12: Device Identification 1 (DID1), offset 0x004 .....                          | 90         |
| Register 13: Device Capabilities 0 (DC0), offset 0x008 .....                             | 92         |
| Register 14: Device Capabilities 1 (DC1), offset 0x010 .....                             | 93         |
| Register 15: Device Capabilities 2 (DC2), offset 0x014 .....                             | 95         |
| Register 16: Device Capabilities 3 (DC3), offset 0x018 .....                             | 97         |
| Register 17: Device Capabilities 4 (DC4), offset 0x01C .....                             | 99         |
| Register 18: Run Mode Clock Gating Control Register 0 (RCGC0), offset 0x100 .....        | 101        |
| Register 19: Sleep Mode Clock Gating Control Register 0 (SCGC0), offset 0x110 .....      | 102        |
| Register 20: Deep Sleep Mode Clock Gating Control Register 0 (DCGC0), offset 0x120 ..... | 103        |
| Register 21: Run Mode Clock Gating Control Register 1 (RCGC1), offset 0x104 .....        | 104        |
| Register 22: Sleep Mode Clock Gating Control Register 1 (SCGC1), offset 0x114 .....      | 107        |
| Register 23: Deep Sleep Mode Clock Gating Control Register 1 (DCGC1), offset 0x124 ..... | 110        |
| Register 24: Run Mode Clock Gating Control Register 2 (RCGC2), offset 0x108 .....        | 113        |
| Register 25: Sleep Mode Clock Gating Control Register 2 (SCGC2), offset 0x118 .....      | 115        |
| Register 26: Deep Sleep Mode Clock Gating Control Register 2 (DCGC2), offset 0x128 ..... | 117        |
| Register 27: Software Reset Control 0 (SRCR0), offset 0x040 .....                        | 119        |
| Register 28: Software Reset Control 1 (SRCR1), offset 0x044 .....                        | 120        |
| Register 29: Software Reset Control 2 (SRCR2), offset 0x048 .....                        | 122        |
| <b>Hibernation Module</b> .....  | <b>124</b> |
| Register 1: Hibernation RTC Counter (HIBRTCC), offset 0x000 .....                        | 132        |
| Register 2: Hibernation RTC Match 0 (HIBRTCM0), offset 0x004 .....                       | 133        |
| Register 3: Hibernation RTC Match 1 (HIBRTCM1), offset 0x008 .....                       | 134        |
| Register 4: Hibernation RTC Load (HIBRTCLD), offset 0x00C .....                          | 135        |
| Register 5: Hibernation Control (HIBCTL), offset 0x010 .....                             | 136        |
| Register 6: Hibernation Interrupt Mask (HIBIM), offset 0x014 .....                       | 138        |
| Register 7: Hibernation Raw Interrupt Status (HIBRIS), offset 0x018 .....                | 139        |
| Register 8: Hibernation Masked Interrupt Status (HIBMIS), offset 0x01C .....             | 140        |
| Register 9: Hibernation Interrupt Clear (HIBIC), offset 0x020 .....                      | 141        |
| Register 10: Hibernation RTC Trim (HIBRTCT), offset 0x024 .....                          | 142        |
| Register 11: Hibernation Data (HIBDATA), offset 0x030-0x12C .....                        | 143        |
| <b>Internal Memory</b> .....   | <b>144</b> |
| Register 1: Flash Memory Address (FMA), offset 0x000 .....                               | 150        |
| Register 2: Flash Memory Data (FMD), offset 0x004 .....                                  | 151        |

|  |   |            |
|--|---|------------|
| Register 3:  | Flash Memory Control (FMC), offset 0x008 .....                                  | 152        |
| Register 4:  | Flash Controller Raw Interrupt Status (FCRIS), offset 0x00C .....               | 154        |
| Register 5:  | Flash Controller Interrupt Mask (FCIM), offset 0x010 .....                      | 155        |
| Register 6:  | Flash Controller Masked Interrupt Status and Clear (FCMISC), offset 0x014 ..... | 156        |
| Register 7:  | USec Reload (USECRL), offset 0x140 .....  | 158        |
| Register 8:  | Flash Memory Protection Read Enable 0 (FMPRE0), offset 0x130 and 0x200 .....    | 159        |
| Register 9:  | Flash Memory Protection Program Enable 0 (FMPPE0), offset 0x134 and 0x400 ..... | 160        |
| Register 10:                                       | User Debug (USER_DBG), offset 0x1D0 .....                                       | 161        |
| Register 11:                                       | User Register 0 (USER_REG0), offset 0x1E0 .....                                 | 162        |
| Register 12:                                       | User Register 1 (USER_REG1), offset 0x1E4 .....                                 | 163        |
| Register 13:                                       | Flash Memory Protection Read Enable 1 (FMPRE1), offset 0x204 .....              | 164        |
| Register 14:                                       | Flash Memory Protection Read Enable 2 (FMPRE2), offset 0x208 .....              | 165        |
| Register 15:                                       | Flash Memory Protection Read Enable 3 (FMPRE3), offset 0x20C .....              | 166        |
| Register 16:                                       | Flash Memory Protection Program Enable 1 (FMPPE1), offset 0x404 .....           | 167        |
| Register 17:                                       | Flash Memory Protection Program Enable 2 (FMPPE2), offset 0x408 .....           | 168        |
| Register 18:                                       | Flash Memory Protection Program Enable 3 (FMPPE3), offset 0x40C .....           | 169        |
| <b>General-Purpose Input/Outputs (GPIOs) .....</b> |   | <b>170</b> |
| Register 1:  | GPIO Data (GPIODATA), offset 0x000 .....  | 177        |
| Register 2:  | GPIO Direction (GPIODIR), offset 0x400 .....                                    | 178        |
| Register 3:  | GPIO Interrupt Sense (GPIOIS), offset 0x404 .....                               | 179        |
| Register 4:  | GPIO Interrupt Both Edges (GPIOIBE), offset 0x408 .....                         | 180        |
| Register 5:  | GPIO Interrupt Event (GPIOIEV), offset 0x40C .....                              | 181        |
| Register 6:  | GPIO Interrupt Mask (GPIOIM), offset 0x410 .....                                | 182        |
| Register 7:  | GPIO Raw Interrupt Status (GPIORIS), offset 0x414 .....                         | 183        |
| Register 8:  | GPIO Masked Interrupt Status (GPIOMIS), offset 0x418 .....                      | 184        |
| Register 9:  | GPIO Interrupt Clear (GPIOICR), offset 0x41C .....                              | 185        |
| Register 10:                                       | GPIO Alternate Function Select (GPIOAFSEL), offset 0x420 .....                  | 186        |
| Register 11:                                       | GPIO 2-mA Drive Select (GPIODR2R), offset 0x500 .....                           | 188        |
| Register 12:                                       | GPIO 4-mA Drive Select (GPIODR4R), offset 0x504 .....                           | 189        |
| Register 13:                                       | GPIO 8-mA Drive Select (GPIODR8R), offset 0x508 .....                           | 190        |
| Register 14:                                       | GPIO Open Drain Select (GPIOODR), offset 0x50C .....                            | 191        |
| Register 15:                                       | GPIO Pull-Up Select (GPIOPUR), offset 0x510 .....                               | 192        |
| Register 16:                                       | GPIO Pull-Down Select (GPIOPDR), offset 0x514 .....                             | 193        |
| Register 17:                                       | GPIO Slew Rate Control Select (GPIOSLR), offset 0x518 .....                     | 194        |
| Register 18:                                       | GPIO Digital Enable (GPIODEN), offset 0x51C .....                               | 195        |
| Register 19:                                       | GPIO Lock (GPIOLOCK), offset 0x520 .....  | 196        |
| Register 20:                                       | GPIO Commit (GPIOCR), offset 0x524 .....  | 197        |
| Register 21:                                       | GPIO Peripheral Identification 4 (GPIOPeriphID4), offset 0xFD0 .....            | 199        |
| Register 22:                                       | GPIO Peripheral Identification 5 (GPIOPeriphID5), offset 0xFD4 .....            | 200        |
| Register 23:                                       | GPIO Peripheral Identification 6 (GPIOPeriphID6), offset 0xFD8 .....            | 201        |
| Register 24:                                       | GPIO Peripheral Identification 7 (GPIOPeriphID7), offset 0xFDC .....            | 202        |
| Register 25:                                       | GPIO Peripheral Identification 0 (GPIOPeriphID0), offset 0xFE0 .....            | 203        |
| Register 26:                                       | GPIO Peripheral Identification 1 (GPIOPeriphID1), offset 0xFE4 .....            | 204        |
| Register 27:                                       | GPIO Peripheral Identification 2 (GPIOPeriphID2), offset 0xFE8 .....            | 205        |
| Register 28:                                       | GPIO Peripheral Identification 3 (GPIOPeriphID3), offset 0xFEC .....            | 206        |
| Register 29:                                       | GPIO PrimeCell Identification 0 (GPIOPCellID0), offset 0xFF0 .....              | 207        |
| Register 30:                                       | GPIO PrimeCell Identification 1 (GPIOPCellID1), offset 0xFF4 .....              | 208        |
| Register 31:                                       | GPIO PrimeCell Identification 2 (GPIOPCellID2), offset 0xFF8 .....              | 209        |

|  |            |
|--|------------|
| Register 32: GPIO PrimeCell Identification 3 (GPIOCellID3), offset 0xFFC .....       | 210        |
| <b>General-Purpose Timers .....</b>  | <b>211</b> |
| Register 1: GPTM Configuration (GPTMCFG), offset 0x000 .....                         | 223        |
| Register 2: GPTM TimerA Mode (GPTMTAMR), offset 0x004 .....                          | 224        |
| Register 3: GPTM TimerB Mode (GPTMTBMR), offset 0x008 .....                          | 226        |
| Register 4: GPTM Control (GPTMCTL), offset 0x00C .....                               | 228        |
| Register 5: GPTM Interrupt Mask (GPTMIMR), offset 0x018 .....                        | 231        |
| Register 6: GPTM Raw Interrupt Status (GPTMRIS), offset 0x01C .....                  | 233        |
| Register 7: GPTM Masked Interrupt Status (GPTMMIS), offset 0x020 .....               | 234        |
| Register 8: GPTM Interrupt Clear (GPTMICR), offset 0x024 .....                       | 235        |
| Register 9: GPTM TimerA Interval Load (GPTMTAILR), offset 0x028 .....                | 237        |
| Register 10: GPTM TimerB Interval Load (GPTMTBILR), offset 0x02C .....               | 238        |
| Register 11: GPTM TimerA Match (GPTMTAMATCHR), offset 0x030 .....                    | 239        |
| Register 12: GPTM TimerB Match (GPTMTBMATCHR), offset 0x034 .....                    | 240        |
| Register 13: GPTM TimerA Prescale (GPTMTAPR), offset 0x038 .....                     | 241        |
| Register 14: GPTM TimerB Prescale (GPTMTBPR), offset 0x03C .....                     | 242        |
| Register 15: GPTM TimerA Prescale Match (GPTMTAPMR), offset 0x040 .....              | 243        |
| Register 16: GPTM TimerB Prescale Match (GPTMTBPMR), offset 0x044 .....              | 244        |
| Register 17: GPTM TimerA (GPTMTAR), offset 0x048 .....                               | 245        |
| Register 18: GPTM TimerB (GPTMTBR), offset 0x04C .....                               | 246        |
| <b>Watchdog Timer .....</b>  | <b>247</b> |
| Register 1: Watchdog Load (WDTLOAD), offset 0x000 .....                              | 251        |
| Register 2: Watchdog Value (WDTVALUE), offset 0x004 .....                            | 252        |
| Register 3: Watchdog Control (WDTCTL), offset 0x008 .....                            | 253        |
| Register 4: Watchdog Interrupt Clear (WDTICR), offset 0x00C .....                    | 254        |
| Register 5: Watchdog Raw Interrupt Status (WDTRIS), offset 0x010 .....               | 255        |
| Register 6: Watchdog Masked Interrupt Status (WDTMIS), offset 0x014 .....            | 256        |
| Register 7: Watchdog Test (WDTTEST), offset 0x418 .....                              | 257        |
| Register 8: Watchdog Lock (WDTLOCK), offset 0xC00 .....                              | 258        |
| Register 9: Watchdog Peripheral Identification 4 (WDTPeriphID4), offset 0xFD0 .....  | 259        |
| Register 10: Watchdog Peripheral Identification 5 (WDTPeriphID5), offset 0xFD4 ..... | 260        |
| Register 11: Watchdog Peripheral Identification 6 (WDTPeriphID6), offset 0xFD8 ..... | 261        |
| Register 12: Watchdog Peripheral Identification 7 (WDTPeriphID7), offset 0xFDC ..... | 262        |
| Register 13: Watchdog Peripheral Identification 0 (WDTPeriphID0), offset 0xFE0 ..... | 263        |
| Register 14: Watchdog Peripheral Identification 1 (WDTPeriphID1), offset 0xFE4 ..... | 264        |
| Register 15: Watchdog Peripheral Identification 2 (WDTPeriphID2), offset 0xFE8 ..... | 265        |
| Register 16: Watchdog Peripheral Identification 3 (WDTPeriphID3), offset 0xFEC ..... | 266        |
| Register 17: Watchdog PrimeCell Identification 0 (WDTPCellID0), offset 0xFF0 .....   | 267        |
| Register 18: Watchdog PrimeCell Identification 1 (WDTPCellID1), offset 0xFF4 .....   | 268        |
| Register 19: Watchdog PrimeCell Identification 2 (WDTPCellID2), offset 0xFF8 .....   | 269        |
| Register 20: Watchdog PrimeCell Identification 3 (WDTPCellID3), offset 0xFFC .....   | 270        |
| <b>Universal Asynchronous Receivers/Transmitters (UARTs) .....</b>                   | <b>271</b> |
| Register 1: UART Data (UARTDR), offset 0x000 .....                                   | 279        |
| Register 2: UART Receive Status/Error Clear (UARTRSR/UARTECR), offset 0x004 .....    | 281        |
| Register 3: UART Flag (UARTFR), offset 0x018 .....                                   | 283        |
| Register 4: UART IrDA Low-Power Register (UARTILPR), offset 0x020 .....              | 285        |
| Register 5: UART Integer Baud-Rate Divisor (UARTIBRD), offset 0x024 .....            | 286        |
| Register 6: UART Fractional Baud-Rate Divisor (UARTFBRD), offset 0x028 .....         | 287        |

|  |  |            |
|--|--|------------|
| Register 7:  | UART Line Control (UARTLCRH), offset 0x02C .....                           | 288        |
| Register 8:  | UART Control (UARTCTL), offset 0x030 .....                                 | 290        |
| Register 9:  | UART Interrupt FIFO Level Select (UARTIFLS), offset 0x034 .....            | 292        |
| Register 10:   | UART Interrupt Mask (UARTIM), offset 0x038 .....                           | 294        |
| Register 11:   | UART Raw Interrupt Status (UARTRIS), offset 0x03C .....                    | 296        |
| Register 12:   | UART Masked Interrupt Status (UARTMIS), offset 0x040 .....                 | 297        |
| Register 13:   | UART Interrupt Clear (UARTICR), offset 0x044 .....                         | 298        |
| Register 14:   | UART Peripheral Identification 4 (UARTPeriphID4), offset 0xFD0 .....       | 300        |
| Register 15:   | UART Peripheral Identification 5 (UARTPeriphID5), offset 0xFD4 .....       | 301        |
| Register 16:   | UART Peripheral Identification 6 (UARTPeriphID6), offset 0xFD8 .....       | 302        |
| Register 17:   | UART Peripheral Identification 7 (UARTPeriphID7), offset 0xFDC .....       | 303        |
| Register 18:   | UART Peripheral Identification 0 (UARTPeriphID0), offset 0xFE0 .....       | 304        |
| Register 19:   | UART Peripheral Identification 1 (UARTPeriphID1), offset 0xFE4 .....       | 305        |
| Register 20:   | UART Peripheral Identification 2 (UARTPeriphID2), offset 0xFE8 .....       | 306        |
| Register 21:   | UART Peripheral Identification 3 (UARTPeriphID3), offset 0xFEC .....       | 307        |
| Register 22:   | UART PrimeCell Identification 0 (UARTPCellID0), offset 0xFF0 .....         | 308        |
| Register 23:   | UART PrimeCell Identification 1 (UARTPCellID1), offset 0xFF4 .....         | 309        |
| Register 24:   | UART PrimeCell Identification 2 (UARTPCellID2), offset 0xFF8 .....         | 310        |
| Register 25:   | UART PrimeCell Identification 3 (UARTPCellID3), offset 0xFFC .....         | 311        |
| <b>Synchronous Serial Interface (SSI) .....</b>                  |  | <b>312</b> |
| Register 1:  | SSI Control 0 (SSICR0), offset 0x000 .....                                 | 324        |
| Register 2:  | SSI Control 1 (SSICR1), offset 0x004 .....                                 | 326        |
| Register 3:  | SSI Data (SSIDR), offset 0x008 .....                                       | 328        |
| Register 4:  | SSI Status (SSISR), offset 0x00C .....                                     | 329        |
| Register 5:  | SSI Clock Prescale (SSICPSR), offset 0x010 .....                           | 331        |
| Register 6:  | SSI Interrupt Mask (SSIIM), offset 0x014 .....                             | 332        |
| Register 7:  | SSI Raw Interrupt Status (SSIRIS), offset 0x018 .....                      | 334        |
| Register 8:  | SSI Masked Interrupt Status (SSIMIS), offset 0x01C .....                   | 335        |
| Register 9:  | SSI Interrupt Clear (SSIICR), offset 0x020 .....                           | 336        |
| Register 10:   | SSI Peripheral Identification 4 (SSIPeriphID4), offset 0xFD0 .....         | 337        |
| Register 11:   | SSI Peripheral Identification 5 (SSIPeriphID5), offset 0xFD4 .....         | 338        |
| Register 12:   | SSI Peripheral Identification 6 (SSIPeriphID6), offset 0xFD8 .....         | 339        |
| Register 13:   | SSI Peripheral Identification 7 (SSIPeriphID7), offset 0xFDC .....         | 340        |
| Register 14:   | SSI Peripheral Identification 0 (SSIPeriphID0), offset 0xFE0 .....         | 341        |
| Register 15:   | SSI Peripheral Identification 1 (SSIPeriphID1), offset 0xFE4 .....         | 342        |
| Register 16:   | SSI Peripheral Identification 2 (SSIPeriphID2), offset 0xFE8 .....         | 343        |
| Register 17:   | SSI Peripheral Identification 3 (SSIPeriphID3), offset 0xFEC .....         | 344        |
| Register 18:   | SSI PrimeCell Identification 0 (SSIPCellID0), offset 0xFF0 .....           | 345        |
| Register 19:   | SSI PrimeCell Identification 1 (SSIPCellID1), offset 0xFF4 .....           | 346        |
| Register 20:   | SSI PrimeCell Identification 2 (SSIPCellID2), offset 0xFF8 .....           | 347        |
| Register 21:   | SSI PrimeCell Identification 3 (SSIPCellID3), offset 0xFFC .....           | 348        |
| <b>Inter-Integrated Circuit (I<sup>2</sup>C) Interface .....</b> |  | <b>349</b> |
| Register 1:  | I <sup>2</sup> C Master Slave Address (I2CMSA), offset 0x000 .....         | 364        |
| Register 2:  | I <sup>2</sup> C Master Control/Status (I2CMCS), offset 0x004 .....        | 365        |
| Register 3:  | I <sup>2</sup> C Master Data (I2CMDR), offset 0x008 .....                  | 369        |
| Register 4:  | I <sup>2</sup> C Master Timer Period (I2CMTPR), offset 0x00C .....         | 370        |
| Register 5:  | I <sup>2</sup> C Master Interrupt Mask (I2CMIMR), offset 0x010 .....       | 371        |
| Register 6:  | I <sup>2</sup> C Master Raw Interrupt Status (I2CMRIS), offset 0x014 ..... | 372        |

|                                  |  |     |
|----------------------------------|--|-----|
| Register 7:                      | I <sup>2</sup> C Master Masked Interrupt Status (I2CMMIS), offset 0x018 .....                                  | 373 |
| Register 8:                      | I <sup>2</sup> C Master Interrupt Clear (I2CMICR), offset 0x01C .....  | 374 |
| Register 9:                      | I <sup>2</sup> C Master Configuration (I2CMCR), offset 0x020 .....   | 375 |
| Register 10:                     | I <sup>2</sup> C Slave Own Address (I2CSOAR), offset 0x000 .....   | 377 |
| Register 11:                     | I <sup>2</sup> C Slave Control/Status (I2CSCSR), offset 0x004 .....  | 378 |
| Register 12:                     | I <sup>2</sup> C Slave Data (I2CSDR), offset 0x008 .....   | 380 |
| Register 13:                     | I <sup>2</sup> C Slave Interrupt Mask (I2CSIMR), offset 0x00C .....  | 381 |
| Register 14:                     | I <sup>2</sup> C Slave Raw Interrupt Status (I2CSRIS), offset 0x010 .....                                      | 382 |
| Register 15:                     | I <sup>2</sup> C Slave Masked Interrupt Status (I2CSMIS), offset 0x014 .....                                   | 383 |
| Register 16:                     | I <sup>2</sup> C Slave Interrupt Clear (I2CSICR), offset 0x018 .....   | 384 |
| <b>Ethernet Controller .....</b> | <b>385</b>   |     |
| Register 1:                      | Ethernet MAC Raw Interrupt Status/Acknowledge (MACRIS/MACIACK), offset 0x000 .....                             | 396 |
| Register 2:                      | Ethernet MAC Interrupt Mask (MACIM), offset 0x004 .....  | 399 |
| Register 3:                      | Ethernet MAC Receive Control (MACRCTL), offset 0x008 .....   | 400 |
| Register 4:                      | Ethernet MAC Transmit Control (MACTCTL), offset 0x00C .....  | 401 |
| Register 5:                      | Ethernet MAC Data (MACDATA), offset 0x010 .....  | 402 |
| Register 6:                      | Ethernet MAC Individual Address 0 (MACIA0), offset 0x014 .....   | 404 |
| Register 7:                      | Ethernet MAC Individual Address 1 (MACIA1), offset 0x018 .....   | 405 |
| Register 8:                      | Ethernet MAC Threshold (MACTHR), offset 0x01C .....  | 406 |
| Register 9:                      | Ethernet MAC Management Control (MACMCTL), offset 0x020 .....  | 408 |
| Register 10:                     | Ethernet MAC Management Divider (MACMDV), offset 0x024 .....   | 409 |
| Register 11:                     | Ethernet MAC Management Transmit Data (MACMTXD), offset 0x02C .....  | 410 |
| Register 12:                     | Ethernet MAC Management Receive Data (MACMRXD), offset 0x030 .....   | 411 |
| Register 13:                     | Ethernet MAC Number of Packets (MACNP), offset 0x034 .....   | 412 |
| Register 14:                     | Ethernet MAC Transmission Request (MACTR), offset 0x038 .....  | 413 |
| Register 15:                     | Ethernet PHY Management Register 0 – Control (MR0), address 0x00 .....   | 414 |
| Register 16:                     | Ethernet PHY Management Register 1 – Status (MR1), address 0x01 .....  | 416 |
| Register 17:                     | Ethernet PHY Management Register 2 – PHY Identifier 1 (MR2), address 0x02 .....                                | 418 |
| Register 18:                     | Ethernet PHY Management Register 3 – PHY Identifier 2 (MR3), address 0x03 .....                                | 419 |
| Register 19:                     | Ethernet PHY Management Register 4 – Auto-Negotiation Advertisement (MR4), address 0x04 .....                  | 420 |
| Register 20:                     | Ethernet PHY Management Register 5 – Auto-Negotiation Link Partner Base Page Ability (MR5), address 0x05 ..... | 422 |
| Register 21:                     | Ethernet PHY Management Register 6 – Auto-Negotiation Expansion (MR6), address 0x06 .....                      | 423 |
| Register 22:                     | Ethernet PHY Management Register 16 – Vendor-Specific (MR16), address 0x10 .....                               | 424 |
| Register 23:                     | Ethernet PHY Management Register 17 – Interrupt Control/Status (MR17), address 0x11 .....                      | 426 |
| Register 24:                     | Ethernet PHY Management Register 18 – Diagnostic (MR18), address 0x12 .....                                    | 428 |
| Register 25:                     | Ethernet PHY Management Register 19 – Transceiver Control (MR19), address 0x13 .....                           | 429 |
| Register 26:                     | Ethernet PHY Management Register 23 – LED Configuration (MR23), address 0x17 .....                             | 430 |
| Register 27:                     | Ethernet PHY Management Register 24 –MDI/MDIX Control (MR24), address 0x18 .....                               | 431 |
| <b>Analog Comparators .....</b>  | <b>432</b>   |     |
| Register 1:                      | Analog Comparator Masked Interrupt Status (ACMIS), offset 0x000 .....  | 436 |
| Register 2:                      | Analog Comparator Raw Interrupt Status (ACRIS), offset 0x004 .....   | 437 |
| Register 3:                      | Analog Comparator Interrupt Enable (ACINTEN), offset 0x008 .....   | 438 |
| Register 4:                      | Analog Comparator Reference Voltage Control (ACREFCTL), offset 0x010 .....                                     | 439 |
| Register 5:                      | Analog Comparator Status 0 (ACSTAT0), offset 0x020 .....   | 440 |



|             |  |     |
|-------------|--|-----|
| Register 6: | Analog Comparator Status 1 (ACSTAT1), offset 0x040 ..... | 440 |
| Register 7: | Analog Comparator Control 0 (ACCTL0), offset 0x024 ..... | 441 |
| Register 8: | Analog Comparator Control 1 (ACCTL1), offset 0x044 ..... | 441 |

# Revision History

The revision history table notes changes made between the indicated revisions of the LM3S6911 data sheet.

**Table 1. Revision History**

| Date       | Revision | Description   |
|------------|----------|---|
| March 2008 | 2550     | Started tracking revision history.  |
| April 2008 | 2881     | <ul style="list-style-type: none"> <li>■ The <math>\Theta_{JA}</math> value was changed from 55.3 to 34 in the "Thermal Characteristics" table in the Operating Characteristics chapter.</li> <li>■ Bit 31 of the <b>DC3</b> register was incorrectly described in prior versions of the data sheet. A reset of 1 indicates that an even CCP pin is present and can be used as a 32-KHz input clock.</li> <li>■ Values for <math>I_{DD\_HIBERNATE}</math> were added to the "Detailed Power Specifications" table in the "Electrical Characteristics" chapter.</li> <li>■ The "Hibernation Module DC Electricals" table was added to the "Electrical Characteristics" chapter.</li> <li>■ The <math>T_{VDDRISE}</math> parameter in the "Reset Characteristics" table in the "Electrical Characteristics" chapter was changed from a max of 100 to 250.</li> <li>■ The maximum value on Core supply voltage (<math>V_{DD25}</math>) in the "Maximum Ratings" table in the "Electrical Characteristics" chapter was changed from 4 to 3.</li> <li>■ The operational frequency of the internal 30-kHz oscillator clock source is 30 kHz <math>\pm</math> 50% (prior data sheets incorrectly noted it as 30 kHz <math>\pm</math> 30%).</li> <li>■ A value of 0x3 in bits 5:4 of the <b>MISC</b> register (<math>OSCSRC</math>) indicates the 30-KHz internal oscillator is the input source for the oscillator. Prior data sheets incorrectly noted 0x3 as a reserved value.</li> <li>■ The reset for bits 6:4 of the <b>RCC2</b> register (<math>OSCSRC2</math>) is 0x1 (IOSC). Prior data sheets incorrectly noted the reset was 0x0 (MOSC).</li> <li>■ Two figures on clock source were added to the "Hibernation Module": <ul style="list-style-type: none"> <li>– Clock Source Using Crystal</li> <li>– Clock Source Using Dedicated Oscillator</li> </ul> </li> <li>■ The following notes on battery management were added to the "Hibernation Module" chapter: <ul style="list-style-type: none"> <li>– Battery voltage is not measured while in Hibernate mode.</li> <li>– System level factors may affect the accuracy of the low battery detect circuit. The designer should consider battery type, discharge characteristics, and a test load during battery voltage measurements.</li> </ul> </li> <li>■ A note on high-current applications was added to the GPIO chapter:<br/>For special high-current applications, the GPIO output buffers may be used with the following restrictions. With the GPIO pins configured as 8-mA output drivers, a total of four GPIO outputs may be used to sink current loads up to 18 mA each. At 18-mA sink current loading, the VOL value is specified as 1.2 V. The high-current GPIO package pins must be selected such that there are only a maximum of two per side of the physical package or BGA pin group with the total number of high-current GPIO outputs not exceeding four for the entire package.</li> <li>■ A note on Schmitt inputs was added to the GPIO chapter:<br/>Pins configured as digital inputs are Schmitt-triggered.</li> <li>■ The Buffer type on the <b>WAKE</b> pin changed from OD to - in the Signal Tables.</li> </ul> |

Table 1. Revision History (continued)

| Date          | Revision | Description   |
|---------------|----------|---|
|               |          | <ul style="list-style-type: none"> <li>■ The "Differential Sampling Range" figures in the ADC chapter were clarified.</li> <li>■ The last revision of the data sheet (revision 2550) introduced two errors that have now been corrected: <ul style="list-style-type: none"> <li>– The LQFP pin diagrams and pin tables were missing the comparator positive and negative input pins.</li> <li>– The base address was listed incorrectly in the <b>FMPRE0</b> and <b>FMPPE0</b> register bit diagrams.</li> </ul> </li> <li>■ Additional minor data sheet clarifications and corrections.</li> </ul>   |
| May 2008      | 2972     | <ul style="list-style-type: none"> <li>■ As noted in the PCN, three of the nine Ethernet LED configuration options are no longer supported: TX Activity (0x2), RX Activity (0x3), and Collision (0x4). These values for the LED0 and LED1 bit fields in the <b>MR23</b> register are now marked as reserved.</li> <li>■ As noted in the PCN, the option to provide VDD25 power from external sources was removed. Use the LDO output as the source of VDD25 input.</li> <li>■ As noted in the PCN, pin 41 (ball K3 on the BGA package) was renamed from GNDPHY to ERBIAS. A 12.4-kΩ resistor should be connected between ERBIAS and ground to accommodate future device revisions (see "Functional Description" on page 386).</li> <li>■ Additional minor data sheet clarifications and corrections.</li> </ul> |
| July 2008     | 3108     | <ul style="list-style-type: none"> <li>■ Corrected resistor value in ERBIAS signal description.</li> <li>■ Additional minor data sheet clarifications and corrections.</li> </ul>   |
| August 2008   | 3447     | <ul style="list-style-type: none"> <li>■ Added note on clearing interrupts to Interrupts chapter.</li> <li>■ Added Power Architecture diagram to System Control chapter.</li> <li>■ Additional minor data sheet clarifications and corrections.</li> </ul>  |
| October 2008  | 4149     | <ul style="list-style-type: none"> <li>■ Corrected values for DSOSC SRC bit field in <b>Deep Sleep Clock Configuration (DSLCLKCFG)</b> register.</li> <li>■ The FMA value for the <b>FMPRE3</b> register was incorrect in the Flash Resident Registers table in the Internal Memory chapter. The correct value is 0x0000.0006.</li> <li>■ In the Ethernet chapter, major improvements were made including a rewrite of the conceptual information and the addition of new figures to clarify how to use the Ethernet Controller interface.</li> <li>■ Incorrect Comparator Operating Modes tables were removed from the Analog Comparators chapter.</li> </ul>  |
| November 2008 | 4283     | <ul style="list-style-type: none"> <li>■ Revised High-Level Block Diagram.</li> <li>■ Additional minor data sheet clarifications and corrections were made.</li> </ul>  |
| January 2009  | 4660     | <ul style="list-style-type: none"> <li>■ Corrected bit type for RELOAD bit field in SysTick Reload Value register; changed to R/W.</li> <li>■ Clarification added as to what happens when the SSI in slave mode is required to transmit but there is no data in the TX FIFO.</li> <li>■ Added "Hardware Configuration" section to Ethernet Controller chapter.</li> <li>■ Additional minor data sheet clarifications and corrections.</li> </ul>  |

Table 1. Revision History (continued)

| Date         | Revision | Description  |
|--------------|----------|--|
| April 2009   | 5367     | <ul style="list-style-type: none"> <li>■ Added JTAG/SWD clarification (see "Communication with JTAG/SWD" on page 57).</li> <li>■ Added clarification that the PLL operates at 400 MHz, but is divided by two prior to the application of the output divisor.</li> <li>■ Added "GPIO Module DC Characteristics" table (see Table 20-4 on page 473).</li> <li>■ Additional minor data sheet clarifications and corrections.</li> </ul>   |
| July 2009    | 5902     | <ul style="list-style-type: none"> <li>■ Clarified Power-on reset and <math>\overline{\text{RST}}</math> pin operation; added new diagrams.</li> <li>■ Corrected the reset value of the <b>Hibernation Data (HIBDATA)</b> and <b>Hibernation Control (HIBCTL)</b> registers.</li> <li>■ Clarified explanation of nonvolatile register programming in Internal Memory chapter.</li> <li>■ Added explanation of reset value to <b>FMPRE0/1/2/3</b>, <b>FMPPE0/1/2/3</b>, <b>USER_DBG</b>, and <b>USER_REG0/1</b> registers.</li> <li>■ Added description for Ethernet PHY power-saving modes.</li> <li>■ Corrected the reset values for bits 6 and 7 in the Ethernet <b>MR24</b> register.</li> <li>■ Changed buffer type for <math>\overline{\text{WAKE}}</math> pin to TTL and <math>\overline{\text{HIB}}</math> pin to OD.</li> <li>■ In ADC characteristics table, changed Max value for <b>GAIN</b> parameter from <math>\pm 1</math> to <math>\pm 3</math> and added <math>E_{\text{IR}}</math> (Internal voltage reference error) parameter.</li> <li>■ Additional minor data sheet clarifications and corrections.</li> </ul> |
| July 2009    | 5920     | Corrected ordering numbers.  |
| October 2009 | 6462     | <ul style="list-style-type: none"> <li>■ Removed erroneous reference to the <math>\overline{\text{WRC}}</math> bit in the Hibernation chapter.</li> <li>■ Deleted reset value for 16-bit mode from <b>GPTMTAILR</b>, <b>GPTMTAMATCHR</b>, and <b>GPTMTAR</b> registers because the module resets in 32-bit mode.</li> <li>■ Made these changes to the Electrical Characteristics chapter: <ul style="list-style-type: none"> <li>– Removed <math>V_{\text{SIH}}</math> and <math>V_{\text{SIL}}</math> parameters from Operating Conditions table.</li> <li>– Added table showing actual PLL frequency depending on input crystal.</li> <li>– Changed the name of the <math>t_{\text{HIB\_REG\_WRITE}}</math> parameter to <math>t_{\text{HIB\_REG\_ACCESS}}</math>.</li> <li>– Changed SSI set up and hold times to be expressed in system clocks, not ns.</li> </ul> </li> </ul>   |

Table 1. Revision History (continued)

| Date         | Revision | Description  |
|--------------|----------|--|
| January 2010 | 6712     | <ul style="list-style-type: none"> <li>■ In "System Control" section, clarified Debug Access Port operation after Sleep modes.</li> <li>■ Clarified wording on Flash memory access errors.</li> <li>■ Added section on Flash interrupts.</li> <li>■ Clarified operation of SSI transmit FIFO.</li> <li>■ Made these changes to the Operating Characteristics chapter: <ul style="list-style-type: none"> <li>– Added storage temperature ratings to "Temperature Characteristics" table</li> <li>– Added "ESD Absolute Maximum Ratings" table</li> </ul> </li> <li>■ Made these changes to the Electrical Characteristics chapter: <ul style="list-style-type: none"> <li>– In "Flash Memory Characteristics" table, corrected Mass erase time</li> <li>– Added sleep and deep-sleep wake-up times ("Sleep Modes AC Characteristics" table)</li> <li>– In "Reset Characteristics" table, corrected units for supply voltage (VDD) rise time</li> </ul> </li> </ul> |
| April 2010   | 7007     | <ul style="list-style-type: none"> <li>■ Added caution note to the <b>I<sup>2</sup>C Master Timer Period (I2CMTPR)</b> register description and changed field width to 7 bits.</li> <li>■ Removed erroneous text about restoring the Flash Protection registers.</li> <li>■ Added note about <math>\overline{\text{RST}}</math> signal routing.</li> <li>■ Clarified the function of the <math>\text{ThSTALL}</math> bit in the <b>GPTMCTL</b> register.</li> <li>■ Corrected XTALNPHY pin description.</li> <li>■ Additional minor data sheet clarifications and corrections.</li> </ul>  |

## About This Document

This data sheet provides reference information for the LM3S6911 microcontroller, describing the functional blocks of the system-on-chip (SoC) device designed around the ARM® Cortex™-M3 core.

### Audience

This manual is intended for system software developers, hardware designers, and application developers.

### About This Manual

This document is organized into sections that correspond to each major feature.

### Related Documents

The following related documents are available on the documentation CD or from the Stellaris® web site at [www.ti.com/stellaris](http://www.ti.com/stellaris):

- *ARM® CoreSight Technical Reference Manual*
- *ARM® Cortex™-M3 Errata*
- *ARM® Cortex™-M3 Technical Reference Manual*
- *ARM® v7-M Architecture Application Level Reference Manual*
- *Stellaris® Graphics Library User's Guide*
- *Stellaris® Peripheral Driver Library User's Guide*
- *Stellaris® Errata*

The following related documents are also referenced:

- *IEEE Standard 1149.1-Test Access Port and Boundary-Scan Architecture*

This documentation list was current as of publication date. Please check the web site for additional documentation, including application notes and white papers.

### Documentation Conventions

This document uses the conventions shown in Table 2 on page 22.

**Table 2. Documentation Conventions**

| Notation                         | Meaning   |
|----------------------------------|---|
| <b>General Register Notation</b> |   |
| <b>REGISTER</b>                  | APB registers are indicated in uppercase bold. For example, <b>PBORCTL</b> is the Power-On and Brown-Out Reset Control register. If a register name contains a lowercase n, it represents more than one register. For example, <b>SRCRn</b> represents any (or all) of the three Software Reset Control registers: <b>SRCR0</b> , <b>SRCR1</b> , and <b>SRCR2</b> . |
| bit                              | A single bit in a register.   |

Table 2. Documentation Conventions (continued)

| Notation                              | Meaning   |
|---------------------------------------|---|
| bit field                             | Two or more consecutive and related bits.   |
| offset 0xnnn                          | A hexadecimal increment to a register's address, relative to that module's base address as specified in "Memory Map" on page 46.  |
| Register N                            | Registers are numbered consecutively throughout the document to aid in referencing them. The register number has no meaning to software.  |
| reserved                              | Register bits marked <i>reserved</i> are reserved for future use. In most cases, reserved bits are set to 0; however, user software should not rely on the value of a reserved bit. To provide software compatibility with future products, the value of a reserved bit should be preserved across a read-modify-write operation.   |
| yy:xx                                 | The range of register bits inclusive from xx to yy. For example, 31:15 means bits 15 through 31 in that register.   |
| <b>Register Bit/Field Types</b>       | This value in the register bit diagram indicates whether software running on the controller can change the value of the bit field.  |
| RC                                    | Software can read this field. The bit or field is cleared by hardware after reading the bit/field.  |
| RO                                    | Software can read this field. Always write the chip reset value.  |
| R/W                                   | Software can read or write this field.  |
| R/W1C                                 | Software can read or write this field. A write of a 0 to a W1C bit does not affect the bit value in the register. A write of a 1 clears the value of the bit in the register; the remaining bits remain unchanged.<br><br>This register type is primarily used for clearing interrupt status bits where the read operation provides the interrupt status and the write of the read value clears only the interrupts being reported at the time the register was read. |
| R/W1S                                 | Software can read or write a 1 to this field. A write of a 0 to a R/W1S bit does not affect the bit value in the register.  |
| W1C                                   | Software can write this field. A write of a 0 to a W1C bit does not affect the bit value in the register. A write of a 1 clears the value of the bit in the register; the remaining bits remain unchanged. A read of the register returns no meaningful data.<br><br>This register is typically used to clear the corresponding bit in an interrupt register.   |
| WO                                    | Only a write by software is valid; a read of the register returns no meaningful data.   |
| <b>Register Bit/Field Reset Value</b> | This value in the register bit diagram shows the bit/field value after any reset, unless noted.   |
| 0                                     | Bit cleared to 0 on chip reset.   |
| 1                                     | Bit set to 1 on chip reset.   |
| -                                     | Nondeterministic.   |
| <b>Pin/Signal Notation</b>            |   |
| [ ]                                   | Pin alternate function; a pin defaults to the signal without the brackets.  |
| pin                                   | Refers to the physical connection on the package.   |
| signal                                | Refers to the electrical signal encoding of a pin.  |
| assert a signal                       | Change the value of the signal from the logically False state to the logically True state. For active High signals, the asserted signal value is 1 (High); for active Low signals, the asserted signal value is 0 (Low). The active polarity (High or Low) is defined by the signal name (see SIGNAL and $\overline{\text{SIGNAL}}$ below).   |
| deassert a signal                     | Change the value of the signal from the logically True state to the logically False state.  |
| $\overline{\text{SIGNAL}}$            | Signal names are in uppercase and in the Courier font. An overbar on a signal name indicates that it is active Low. To assert $\overline{\text{SIGNAL}}$ is to drive it Low; to deassert $\overline{\text{SIGNAL}}$ is to drive it High.  |
| SIGNAL                                | Signal names are in uppercase and in the Courier font. An active High signal has no overbar. To assert SIGNAL is to drive it High; to deassert SIGNAL is to drive it Low.   |
| <b>Numbers</b>                        |   |

**Table 2. Documentation Conventions (*continued*)**

| Notation | Meaning   |
|----------|---|
| X        | An uppercase X indicates any of several values is allowed, where X can be any legal pattern. For example, a binary value of 0X00 can be either 0100 or 0000, a hex value of 0xX is 0x0 or 0x1, and so on.   |
| 0x       | Hexadecimal numbers have a prefix of 0x. For example, 0x00FF is the hexadecimal number FF.<br><br>All other numbers within register tables are assumed to be binary. Within conceptual information, binary numbers are indicated with a b suffix, for example, 1011b, and decimal numbers are written without a prefix or suffix. |



# 1 Architectural Overview

The Stellaris® family of microcontrollers—the first ARM® Cortex™-M3 based controllers—brings high-performance 32-bit computing to cost-sensitive embedded microcontroller applications. These pioneering parts deliver customers 32-bit performance at a cost equivalent to legacy 8- and 16-bit devices, all in a package with a small footprint.

The Stellaris® family offers efficient performance and extensive integration, favorably positioning the device into cost-conscious applications requiring significant control-processing and connectivity capabilities. The Stellaris® LM3S1000 series extends the Stellaris® family with larger on-chip memories, enhanced power management, and expanded I/O and control capabilities.

The LM3S6911 microcontroller is targeted for industrial applications, including remote monitoring, electronic point-of-sale machines, test and measurement equipment, network appliances and switches, factory automation, HVAC and building control, gaming equipment, motion control, medical instrumentation, and fire and security.

For applications requiring extreme conservation of power, the LM3S6911 microcontroller features a battery-backed Hibernation module to efficiently power down the LM3S6911 to a low-power state during extended periods of inactivity. With a power-up/power-down sequencer, a continuous time counter (RTC), a pair of match registers, an APB interface to the system bus, and dedicated non-volatile memory, the Hibernation module positions the LM3S6911 microcontroller perfectly for battery applications.

In addition, the LM3S6911 microcontroller offers the advantages of ARM's widely available development tools, System-on-Chip (SoC) infrastructure IP applications, and a large user community. Additionally, the microcontroller uses ARM's Thumb®-compatible Thumb-2 instruction set to reduce memory requirements and, thereby, cost. Finally, the LM3S6911 microcontroller is code-compatible to all members of the extensive Stellaris® family; providing flexibility to fit our customers' precise needs.

Texas Instruments offers a complete solution to get to market quickly, with evaluation and development boards, white papers and application notes, an easy-to-use peripheral driver library, and a strong support, sales, and distributor network. See “Ordering and Contact Information” on page 508 for ordering information for Stellaris® family devices.

## 1.1 Product Features

The LM3S6911 microcontroller includes the following product features:

- 32-Bit RISC Performance
  - 32-bit ARM® Cortex™-M3 v7M architecture optimized for small-footprint embedded applications
  - System timer (SysTick), providing a simple, 24-bit clear-on-write, decrementing, wrap-on-zero counter with a flexible control mechanism
  - Thumb®-compatible Thumb-2-only instruction set processor core for high code density
  - 50-MHz operation
  - Hardware-division and single-cycle-multiplication

- Integrated Nested Vectored Interrupt Controller (NVIC) providing deterministic interrupt handling
- 30 interrupts with eight priority levels
- Memory protection unit (MPU), providing a privileged mode for protected operating system functionality
- Unaligned data access, enabling data to be efficiently packed into memory
- Atomic bit manipulation (bit-banding), delivering maximum memory utilization and streamlined peripheral control
- ARM® Cortex™-M3 Processor Core
  - Compact core.
  - Thumb-2 instruction set, delivering the high-performance expected of an ARM core in the memory size usually associated with 8- and 16-bit devices; typically in the range of a few kilobytes of memory for microcontroller class applications.
  - Rapid application execution through Harvard architecture characterized by separate buses for instruction and data.
  - Exceptional interrupt handling, by implementing the register manipulations required for handling an interrupt in hardware.
  - Deterministic, fast interrupt processing: always 12 cycles, or just 6 cycles with tail-chaining
  - Memory protection unit (MPU) to provide a privileged mode of operation for complex applications.
  - Migration from the ARM7™ processor family for better performance and power efficiency.
  - Full-featured debug solution
    - Serial Wire JTAG Debug Port (SWJ-DP)
    - Flash Patch and Breakpoint (FPB) unit for implementing breakpoints
    - Data Watchpoint and Trigger (DWT) unit for implementing watchpoints, trigger resources, and system profiling
    - Instrumentation Trace Macrocell (ITM) for support of printf style debugging
    - Trace Port Interface Unit (TPIU) for bridging to a Trace Port Analyzer
  - Optimized for single-cycle flash usage
  - Three sleep modes with clock gating for low power
  - Single-cycle multiply instruction and hardware divide
  - Atomic operations
  - ARM Thumb2 mixed 16-/32-bit instruction set

- 1.25 DMIPS/MHz
- JTAG
  - IEEE 1149.1-1990 compatible Test Access Port (TAP) controller
  - Four-bit Instruction Register (IR) chain for storing JTAG instructions
  - IEEE standard instructions: BYPASS, IDCODE, SAMPLE/PRELOAD, EXTEST and INTEST
  - ARM additional instructions: APACC, DPACC and ABORT
  - Integrated ARM Serial Wire Debug (SWD)
- Hibernation
  - System power control using discrete external regulator
  - Dedicated pin for waking from an external signal
  - Low-battery detection, signaling, and interrupt generation
  - 32-bit real-time counter (RTC)
  - Two 32-bit RTC match registers for timed wake-up and interrupt generation
  - Clock source from a 32.768-kHz external oscillator or a 4.194304-MHz crystal
  - RTC predivider trim for making fine adjustments to the clock rate
  - 64 32-bit words of non-volatile memory
  - Programmable interrupts for RTC match, external wake, and low battery events
- Internal Memory
  - 256 KB single-cycle flash
    - User-managed flash block protection on a 2-KB block basis
    - User-managed flash data programming
    - User-defined and managed flash-protection block
  - 64 KB single-cycle SRAM
- GPIOs
  - 10-46 GPIOs, depending on configuration
  - 5-V-tolerant input/outputs
  - Programmable control for GPIO interrupts
    - Interrupt generation masking
    - Edge-triggered on rising, falling, or both

- Level-sensitive on High or Low values
- Bit masking in both read and write operations through address lines
- Pins configured as digital inputs are Schmitt-triggered.
- Programmable control for GPIO pad configuration
  - Weak pull-up or pull-down resistors
  - 2-mA, 4-mA, and 8-mA pad drive for digital communication; up to four pads can be configured with an 18-mA pad drive for high-current applications
  - Slew rate control for the 8-mA drive
  - Open drain enables
  - Digital input enables
- General-Purpose Timers
  - Four General-Purpose Timer Modules (GPTM), each of which provides two 16-bit timers/counters. Each GPTM can be configured to operate independently:
    - As a single 32-bit timer
    - As one 32-bit Real-Time Clock (RTC) to event capture
    - For Pulse Width Modulation (PWM)
  - 32-bit Timer modes
    - Programmable one-shot timer
    - Programmable periodic timer
    - Real-Time Clock when using an external 32.768-KHz clock as the input
    - User-enabled stalling when the controller asserts CPU Halt flag during debug
  - 16-bit Timer modes
    - General-purpose timer function with an 8-bit prescaler (for one-shot and periodic modes only)
    - Programmable one-shot timer
    - Programmable periodic timer
    - User-enabled stalling when the controller asserts CPU Halt flag during debug
  - 16-bit Input Capture modes
    - Input edge count capture
    - Input edge time capture

- 16-bit PWM mode
  - Simple PWM mode with software-programmable output inversion of the PWM signal
- ARM FiRM-compliant Watchdog Timer
  - 32-bit down counter with a programmable load register
  - Separate watchdog clock with an enable
  - Programmable interrupt generation logic with interrupt masking
  - Lock register protection from runaway software
  - Reset generation logic with an enable/disable
  - User-enabled stalling when the controller asserts the CPU Halt flag during debug
- UART
  - Three fully programmable 16C550-type UARTs with IrDA support
  - Separate 16x8 transmit (TX) and receive (RX) FIFOs to reduce CPU interrupt service loading
  - Programmable baud-rate generator allowing speeds up to 3.125 Mbps
  - Programmable FIFO length, including 1-byte deep operation providing conventional double-buffered interface
  - FIFO trigger levels of 1/8, 1/4, 1/2, 3/4, and 7/8
  - Standard asynchronous communication bits for start, stop, and parity
  - False-start bit detection
  - Line-break generation and detection
  - Fully programmable serial interface characteristics
    - 5, 6, 7, or 8 data bits
    - Even, odd, stick, or no-parity bit generation/detection
    - 1 or 2 stop bit generation
  - IrDA serial-IR (SIR) encoder/decoder providing
    - Programmable use of IrDA Serial Infrared (SIR) or UART input/output
    - Support of IrDA SIR encoder/decoder functions for data rates up to 115.2 Kbps half-duplex
    - Support of normal 3/16 and low-power (1.41-2.23  $\mu$ s) bit durations
    - Programmable internal clock generator enabling division of reference clock by 1 to 256 for low-power mode bit duration
- Synchronous Serial Interface (SSI)

- Two SSI modules, each with the following features:
  - Master or slave operation
  - Programmable clock bit rate and prescale
  - Separate transmit and receive FIFOs, 16 bits wide, 8 locations deep
  - Programmable interface operation for Freescale SPI, MICROWIRE, or Texas Instruments synchronous serial interfaces
  - Programmable data frame size from 4 to 16 bits
  - Internal loopback test mode for diagnostic/debug testing
- I<sup>2</sup>C
  - Two I<sup>2</sup>C modules, each with the following features:
    - Devices on the I<sup>2</sup>C bus can be designated as either a master or a slave
      - Supports both sending and receiving data as either a master or a slave
      - Supports simultaneous master and slave operation
  - Four I<sup>2</sup>C modes
    - Master transmit
    - Master receive
    - Slave transmit
    - Slave receive
  - Two transmission speeds: Standard (100 Kbps) and Fast (400 Kbps)
  - Master and slave interrupt generation
    - Master generates interrupts when a transmit or receive operation completes (or aborts due to an error)
    - Slave generates interrupts when data has been sent or requested by a master
  - Master with arbitration and clock synchronization, multimaster support, and 7-bit addressing mode
- 10/100 Ethernet Controller
  - Conforms to the *IEEE 802.3-2002 specification*
    - 10BASE-T/100BASE-TX IEEE-802.3 compliant. Requires only a dual 1:1 isolation transformer interface to the line
    - 10BASE-T/100BASE-TX ENDEC, 100BASE-TX scrambler/descrambler

- Full-featured auto-negotiation
- Multiple operational modes
  - Full- and half-duplex 100 Mbps
  - Full- and half-duplex 10 Mbps
  - Power-saving and power-down modes
- Highly configurable
  - Programmable MAC address
  - LED activity selection
  - Promiscuous mode support
  - CRC error-rejection control
  - User-configurable interrupts
- Physical media manipulation
  - Automatic MDI/MDI-X cross-over correction
  - Register-programmable transmit amplitude
  - Automatic polarity correction and 10BASE-T signal reception
- Analog Comparators
  - Two independent integrated analog comparators
  - Configurable for output to drive an output pin or generate an interrupt
  - Compare external pin input to external pin input or to internal programmable voltage reference
  - Compare a test voltage against any one of these voltages
    - An individual external reference voltage
    - A shared single external reference voltage
    - A shared internal reference voltage
- Power
  - On-chip Low Drop-Out (LDO) voltage regulator, with programmable output user-adjustable from 2.25 V to 2.75 V
  - Hibernation module handles the power-up/down 3.3 V sequencing and control for the core digital logic and analog circuits
  - Low-power options on controller: Sleep and Deep-sleep modes
  - Low-power options for peripherals: software controls shutdown of individual peripherals

- 3.3-V supply brown-out detection and reporting via interrupt or reset
- Flexible Reset Sources
  - Power-on reset (POR)
  - Reset pin assertion
  - Brown-out (BOR) detector alerts to system power drops
  - Software reset
  - Watchdog timer reset
  - Internal low drop-out (LDO) regulator output goes unregulated
- Industrial and extended temperature 100-pin RoHS-compliant LQFP package
- Industrial-range 108-ball RoHS-compliant BGA package

## 1.2 Target Applications

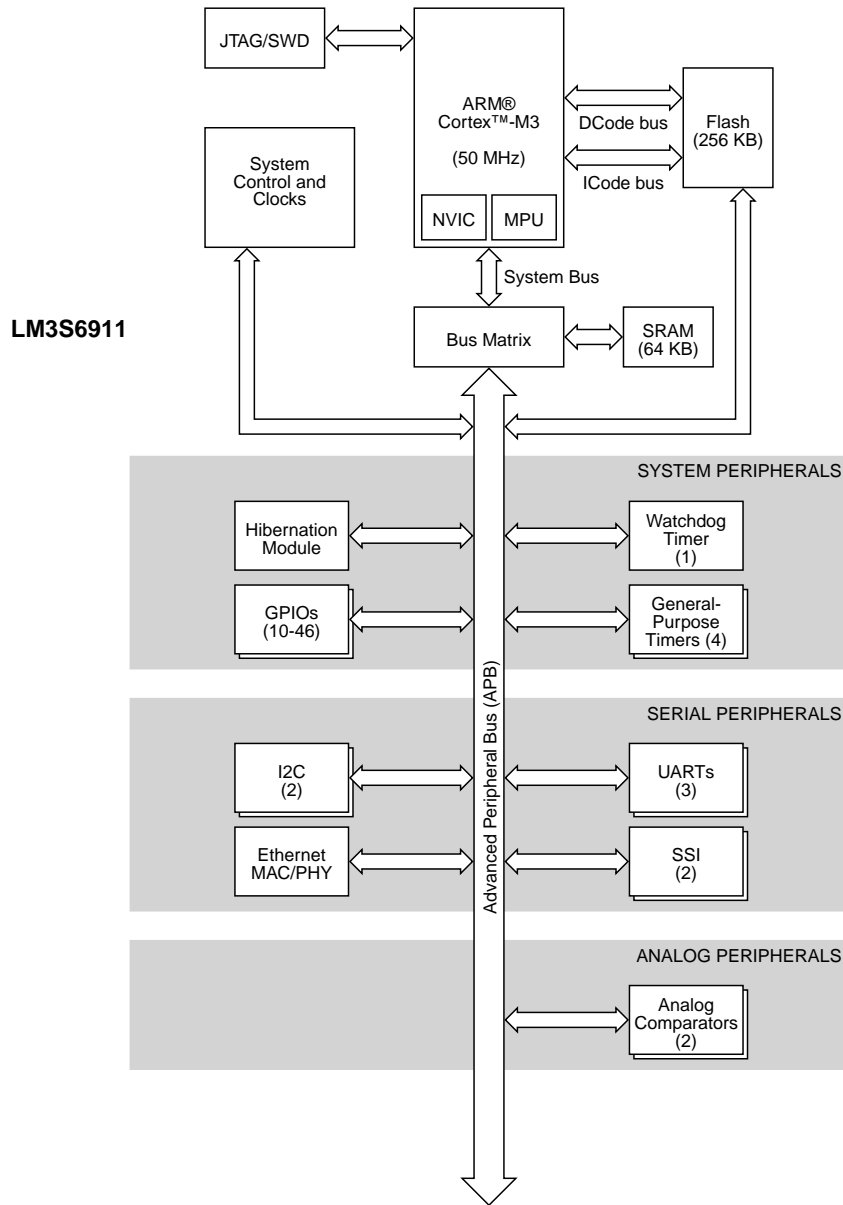
- Remote monitoring
- Electronic point-of-sale (POS) machines
- Test and measurement equipment
- Network appliances and switches
- Factory automation
- HVAC and building control
- Gaming equipment
- Motion control
- Medical instrumentation
- Fire and security
- Power and energy
- Transportation

## 1.3 High-Level Block Diagram

Figure 1-1 on page 33 depicts the features on the Stellaris<sup>®</sup> LM3S6911 microcontroller.



Figure 1-1. Stellaris® LM3S6911 Microcontroller High-Level Block Diagram



## 1.4 Functional Overview

The following sections provide an overview of the features of the LM3S6911 microcontroller. The page number in parenthesis indicates where that feature is discussed in detail. Ordering and support information can be found in “Ordering and Contact Information” on page 508.

### 1.4.1 ARM Cortex™-M3

#### 1.4.1.1 Processor Core (see page 40)

All members of the Stellaris® product family, including the LM3S6911 microcontroller, are designed around an ARM Cortex™-M3 processor core. The ARM Cortex-M3 processor provides the core for a high-performance, low-cost platform that meets the needs of minimal memory implementation, reduced pin count, and low-power consumption, while delivering outstanding computational performance and exceptional system response to interrupts.

“ARM Cortex-M3 Processor Core” on page 40 provides an overview of the ARM core; the core is detailed in the *ARM® Cortex™-M3 Technical Reference Manual*.

#### 1.4.1.2 System Timer (SysTick) (see page 43)

Cortex-M3 includes an integrated system timer, SysTick. SysTick provides a simple, 24-bit clear-on-write, decrementing, wrap-on-zero counter with a flexible control mechanism. The counter can be used in several different ways, for example:

- An RTOS tick timer which fires at a programmable rate (for example, 100 Hz) and invokes a SysTick routine.
- A high-speed alarm timer using the system clock.
- A variable rate alarm or signal timer—the duration is range-dependent on the reference clock used and the dynamic range of the counter.
- A simple counter. Software can use this to measure time to completion and time used.
- An internal clock source control based on missing/meeting durations. The COUNTFLAG bit-field in the control and status register can be used to determine if an action completed within a set duration, as part of a dynamic clock management control loop.

#### 1.4.1.3 Nested Vectored Interrupt Controller (NVIC) (see page 48)

The LM3S6911 controller includes the ARM Nested Vectored Interrupt Controller (NVIC) on the ARM® Cortex™-M3 core. The NVIC and Cortex-M3 prioritize and handle all exceptions. All exceptions are handled in Handler Mode. The processor state is automatically stored to the stack on an exception, and automatically restored from the stack at the end of the Interrupt Service Routine (ISR). The vector is fetched in parallel to the state saving, which enables efficient interrupt entry. The processor supports tail-chaining, which enables back-to-back interrupts to be performed without the overhead of state saving and restoration. Software can set eight priority levels on 7 exceptions (system handlers) and 30 interrupts.

“Interrupts” on page 48 provides an overview of the NVIC controller and the interrupt map. Exceptions and interrupts are detailed in the *ARM® Cortex™-M3 Technical Reference Manual*.

### 1.4.2 Motor Control Peripherals

To enhance motor control, the LM3S6911 controller features Pulse Width Modulation (PWM) outputs.

### 1.4.2.1 PWM

Pulse width modulation (PWM) is a powerful technique for digitally encoding analog signal levels. High-resolution counters are used to generate a square wave, and the duty cycle of the square wave is modulated to encode an analog signal. Typical applications include switching power supplies and motor control.

On the LM3S6911, PWM motion control functionality can be achieved through:

- The motion control features of the general-purpose timers using the CCP pins

#### **CCP Pins (see page 217)**

The General-Purpose Timer Module's CCP (Capture Compare PWM) pins are software programmable to support a simple PWM mode with a software-programmable output inversion of the PWM signal.

### 1.4.3 Analog Peripherals

For support of analog signals, the LM3S6911 microcontroller offers two analog comparators.

#### 1.4.3.1 Analog Comparators (see page 432)

An analog comparator is a peripheral that compares two analog voltages, and provides a logical output that signals the comparison result.

The LM3S6911 microcontroller provides two independent integrated analog comparators that can be configured to drive an output or generate an interrupt .

A comparator can compare a test voltage against any one of these voltages:

- An individual external reference voltage
- A shared single external reference voltage
- A shared internal reference voltage

The comparator can provide its output to a device pin, acting as a replacement for an analog comparator on the board, or it can be used to signal the application via interrupts to cause it to start capturing a sample sequence.

### 1.4.4 Serial Communications Peripherals

The LM3S6911 controller supports both asynchronous and synchronous serial communications with:

- Three fully programmable 16C550-type UARTs
- Two SSI modules
- Two I<sup>2</sup>C modules
- Ethernet controller

#### 1.4.4.1 UART (see page 271)

A Universal Asynchronous Receiver/Transmitter (UART) is an integrated circuit used for RS-232C serial communications, containing a transmitter (parallel-to-serial converter) and a receiver (serial-to-parallel converter), each clocked separately.

The LM3S6911 controller includes three fully programmable 16C550-type UARTs that support data transfer speeds up to 3.125 Mbps. (Although similar in functionality to a 16C550 UART, it is not register-compatible.) In addition, each UART is capable of supporting IrDA.

Separate 16x8 transmit (TX) and receive (RX) FIFOs reduce CPU interrupt service loading. The UART can generate individually masked interrupts from the RX, TX, modem status, and error conditions. The module provides a single combined interrupt when any of the interrupts are asserted and are unmasked.

#### 1.4.4.2 SSI (see page 312)

Synchronous Serial Interface (SSI) is a four-wire bi-directional full and low-speed communications interface.

The LM3S6911 controller includes two SSI modules that provide the functionality for synchronous serial communications with peripheral devices, and can be configured to use the Freescale SPI, MICROWIRE, or TI synchronous serial interface frame formats. The size of the data frame is also configurable, and can be set between 4 and 16 bits, inclusive.

Each SSI module performs serial-to-parallel conversion on data received from a peripheral device, and parallel-to-serial conversion on data transmitted to a peripheral device. The TX and RX paths are buffered with internal FIFOs, allowing up to eight 16-bit values to be stored independently.

Each SSI module can be configured as either a master or slave device. As a slave device, the SSI module can also be configured to disable its output, which allows a master device to be coupled with multiple slave devices.

Each SSI module also includes a programmable bit rate clock divider and prescaler to generate the output serial clock derived from the SSI module's input clock. Bit rates are generated based on the input clock and the maximum bit rate is determined by the connected peripheral.

#### 1.4.4.3 I<sup>2</sup>C (see page 349)

The Inter-Integrated Circuit (I<sup>2</sup>C) bus provides bi-directional data transfer through a two-wire design (a serial data line SDA and a serial clock line SCL).

The I<sup>2</sup>C bus interfaces to external I<sup>2</sup>C devices such as serial memory (RAMs and ROMs), networking devices, LCDs, tone generators, and so on. The I<sup>2</sup>C bus may also be used for system testing and diagnostic purposes in product development and manufacture.

The LM3S6911 controller includes two I<sup>2</sup>C modules that provide the ability to communicate to other IC devices over an I<sup>2</sup>C bus. The I<sup>2</sup>C bus supports devices that can both transmit and receive (write and read) data.

Devices on the I<sup>2</sup>C bus can be designated as either a master or a slave. Each I<sup>2</sup>C module supports both sending and receiving data as either a master or a slave, and also supports the simultaneous operation as both a master and a slave. The four I<sup>2</sup>C modes are: Master Transmit, Master Receive, Slave Transmit, and Slave Receive.

A Stellaris<sup>®</sup> I<sup>2</sup>C module can operate at two speeds: Standard (100 Kbps) and Fast (400 Kbps).

Both the I<sup>2</sup>C master and slave can generate interrupts. The I<sup>2</sup>C master generates interrupts when a transmit or receive operation completes (or aborts due to an error). The I<sup>2</sup>C slave generates interrupts when data has been sent or requested by a master.

#### 1.4.4.4 Ethernet Controller (see page 385)

Ethernet is a frame-based computer networking technology for local area networks (LANs). Ethernet has been standardized as IEEE 802.3. It defines a number of wiring and signaling standards for the physical layer, two means of network access at the Media Access Control (MAC)/Data Link Layer, and a common addressing format.

The Stellaris® Ethernet Controller consists of a fully integrated media access controller (MAC) and network physical (PHY) interface device. The Ethernet Controller conforms to IEEE 802.3 specifications and fully supports 10BASE-T and 100BASE-TX standards. In addition, the Ethernet Controller supports automatic MDI/MDI-X cross-over correction.

#### 1.4.5 System Peripherals

##### 1.4.5.1 Programmable GPIOs (see page 170)

General-purpose input/output (GPIO) pins offer flexibility for a variety of connections.

The Stellaris® GPIO module is comprised of eight physical GPIO blocks, each corresponding to an individual GPIO port. The GPIO module is FIRM-compliant (compliant to the ARM Foundation IP for Real-Time Microcontrollers specification) and supports 10-46 programmable input/output pins. The number of GPIOs available depends on the peripherals being used (see “Signal Tables” on page 445 for the signals available to each GPIO pin).

The GPIO module features programmable interrupt generation as either edge-triggered or level-sensitive on all pins, programmable control for GPIO pad configuration, and bit masking in both read and write operations through address lines. Pins configured as digital inputs are Schmitt-triggered.

##### 1.4.5.2 Four Programmable Timers (see page 211)

Programmable timers can be used to count or time external events that drive the Timer input pins.

The Stellaris® General-Purpose Timer Module (GPTM) contains four GPTM blocks. Each GPTM block provides two 16-bit timers/counters that can be configured to operate independently as timers or event counters, or configured to operate as one 32-bit timer or one 32-bit Real-Time Clock (RTC).

When configured in 32-bit mode, a timer can run as a Real-Time Clock (RTC), one-shot timer or periodic timer. When in 16-bit mode, a timer can run as a one-shot timer or periodic timer, and can extend its precision by using an 8-bit prescaler. A 16-bit timer can also be configured for event capture or Pulse Width Modulation (PWM) generation.

##### 1.4.5.3 Watchdog Timer (see page 247)

A watchdog timer can generate an interrupt or a reset when a time-out value is reached. The watchdog timer is used to regain control when a system has failed due to a software error or to the failure of an external device to respond in the expected way.

The Stellaris® Watchdog Timer module consists of a 32-bit down counter, a programmable load register, interrupt generation logic, and a locking register.

The Watchdog Timer can be configured to generate an interrupt to the controller on its first time-out, and to generate a reset signal on its second time-out. Once the Watchdog Timer has been configured, the lock register can be written to prevent the timer configuration from being inadvertently altered.

#### 1.4.6 Memory Peripherals

The LM3S6911 controller offers both single-cycle SRAM and single-cycle Flash memory.

#### 1.4.6.1 SRAM (see page 144)

The LM3S6911 static random access memory (SRAM) controller supports 64 KB SRAM. The internal SRAM of the Stellaris<sup>®</sup> devices is located at offset 0x0000.0000 of the device memory map. To reduce the number of time-consuming read-modify-write (RMW) operations, ARM has introduced *bit-banding* technology in the new Cortex-M3 processor. With a bit-band-enabled processor, certain regions in the memory map (SRAM and peripheral space) can use address aliases to access individual bits in a single, atomic operation.

#### 1.4.6.2 Flash (see page 145)

The LM3S6911 Flash controller supports 256 KB of flash memory. The flash is organized as a set of 1-KB blocks that can be individually erased. Erasing a block causes the entire contents of the block to be reset to all 1s. These blocks are paired into a set of 2-KB blocks that can be individually protected. The blocks can be marked as read-only or execute-only, providing different levels of code protection. Read-only blocks cannot be erased or programmed, protecting the contents of those blocks from being modified. Execute-only blocks cannot be erased or programmed, and can only be read by the controller instruction fetch mechanism, protecting the contents of those blocks from being read by either the controller or by a debugger.

### 1.4.7 Additional Features

#### 1.4.7.1 Memory Map (see page 46)

A memory map lists the location of instructions and data in memory. The memory map for the LM3S6911 controller can be found in “Memory Map” on page 46. Register addresses are given as a hexadecimal increment, relative to the module’s base address as shown in the memory map.

The *ARM<sup>®</sup> Cortex<sup>™</sup>-M3 Technical Reference Manual* provides further information on the memory map.

#### 1.4.7.2 JTAG TAP Controller (see page 51)

The Joint Test Action Group (JTAG) port is an IEEE standard that defines a Test Access Port and Boundary Scan Architecture for digital integrated circuits and provides a standardized serial interface for controlling the associated test logic. The TAP, Instruction Register (IR), and Data Registers (DR) can be used to test the interconnections of assembled printed circuit boards and obtain manufacturing information on the components. The JTAG Port also provides a means of accessing and controlling design-for-test features such as I/O pin observation and control, scan testing, and debugging.

The JTAG port is composed of the standard five pins:  $\overline{\text{TRST}}$ , TCK, TMS, TDI, and TDO. Data is transmitted serially into the controller on TDI and out of the controller on TDO. The interpretation of this data is dependent on the current state of the TAP controller. For detailed information on the operation of the JTAG port and TAP controller, please refer to the *IEEE Standard 1149.1-Test Access Port and Boundary-Scan Architecture*.

The Stellaris<sup>®</sup> JTAG controller works with the ARM JTAG controller built into the Cortex-M3 core. This is implemented by multiplexing the TDO outputs from both JTAG controllers. ARM JTAG instructions select the ARM TDO output while Stellaris<sup>®</sup> JTAG instructions select the Stellaris<sup>®</sup> TDO outputs. The multiplexer is controlled by the Stellaris<sup>®</sup> JTAG controller, which has comprehensive programming for the ARM, Stellaris<sup>®</sup>, and unimplemented JTAG instructions.

### 1.4.7.3 System Control and Clocks (see page 63)

System control determines the overall operation of the device. It provides information about the device, controls the clocking of the device and individual peripherals, and handles reset detection and reporting.

### 1.4.7.4 Hibernation Module (see page 124)

The Hibernation module provides logic to switch power off to the main processor and peripherals, and to wake on external or time-based events. The Hibernation module includes power-sequencing logic, a real-time clock with a pair of match registers, low-battery detection circuitry, and interrupt signalling to the processor. It also includes 64 32-bit words of non-volatile memory that can be used for saving state during hibernation.

## 1.4.8 Hardware Details

Details on the pins and package can be found in the following sections:

- “Pin Diagram” on page 443
- “Signal Tables” on page 445
- “Operating Characteristics” on page 471
- “Electrical Characteristics” on page 472
- “Package Information” on page 510

## 2 ARM Cortex-M3 Processor Core

The ARM Cortex-M3 processor provides the core for a high-performance, low-cost platform that meets the needs of minimal memory implementation, reduced pin count, and low power consumption, while delivering outstanding computational performance and exceptional system response to interrupts. Features include:

- Compact core.
- Thumb-2 instruction set, delivering the high-performance expected of an ARM core in the memory size usually associated with 8- and 16-bit devices; typically in the range of a few kilobytes of memory for microcontroller class applications.
- Rapid application execution through Harvard architecture characterized by separate buses for instruction and data.
- Exceptional interrupt handling, by implementing the register manipulations required for handling an interrupt in hardware.
- Deterministic, fast interrupt processing: always 12 cycles, or just 6 cycles with tail-chaining
- Memory protection unit (MPU) to provide a privileged mode of operation for complex applications.
- Migration from the ARM7™ processor family for better performance and power efficiency.
- Full-featured debug solution
  - Serial Wire JTAG Debug Port (SWJ-DP)
  - Flash Patch and Breakpoint (FPB) unit for implementing breakpoints
  - Data Watchpoint and Trigger (DWT) unit for implementing watchpoints, trigger resources, and system profiling
  - Instrumentation Trace Macrocell (ITM) for support of printf style debugging
  - Trace Port Interface Unit (TPIU) for bridging to a Trace Port Analyzer
- Optimized for single-cycle flash usage
- Three sleep modes with clock gating for low power
- Single-cycle multiply instruction and hardware divide
- Atomic operations
- ARM Thumb2 mixed 16-/32-bit instruction set
- 1.25 DMIPS/MHz

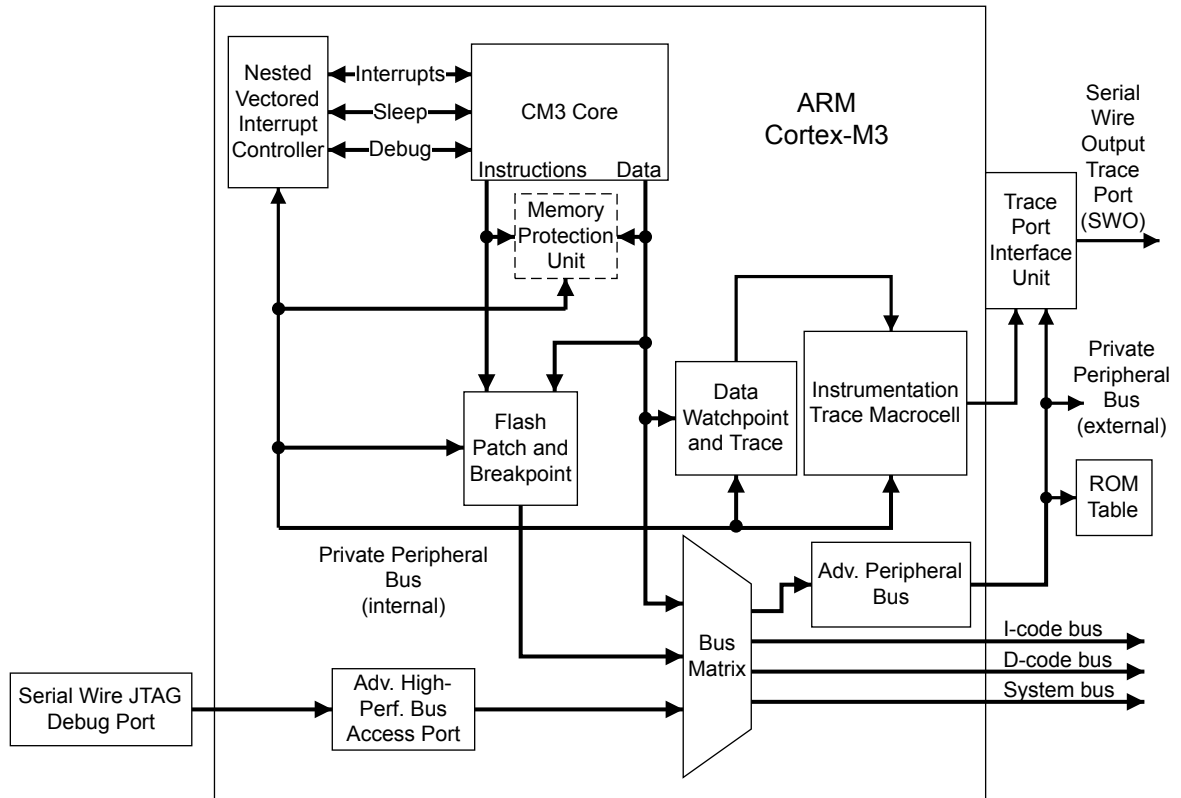
The Stellaris® family of microcontrollers builds on this core to bring high-performance 32-bit computing to cost-sensitive embedded microcontroller applications, such as factory automation and control, industrial control power devices, building and home automation, and stepper motors.



For more information on the ARM Cortex-M3 processor core, see the *ARM® Cortex™-M3 Technical Reference Manual*. For information on SWJ-DP, see the *ARM® CoreSight Technical Reference Manual*.

## 2.1 Block Diagram

Figure 2-1. CPU Block Diagram



## 2.2 Functional Description

**Important:** The *ARM® Cortex™-M3 Technical Reference Manual* describes all the features of an ARM Cortex-M3 in detail. However, these features differ based on the implementation. This section describes the Stellaris® implementation.

Texas Instruments has implemented the ARM Cortex-M3 core as shown in Figure 2-1 on page 41. As noted in the *ARM® Cortex™-M3 Technical Reference Manual*, several Cortex-M3 components are flexible in their implementation: SW/JTAG-DP, ETM, TPIU, the ROM table, the MPU, and the Nested Vectored Interrupt Controller (NVIC). Each of these is addressed in the sections that follow.

### 2.2.1 Serial Wire and JTAG Debug

Texas Instruments has replaced the ARM SW-DP and JTAG-DP with the ARM CoreSight™-compliant Serial Wire JTAG Debug Port (SWJ-DP) interface. The SWJ-DP interface combines the SWD and JTAG debug ports into one module. See the *CoreSight™ Design Kit Technical Reference Manual* for details on SWJ-DP.

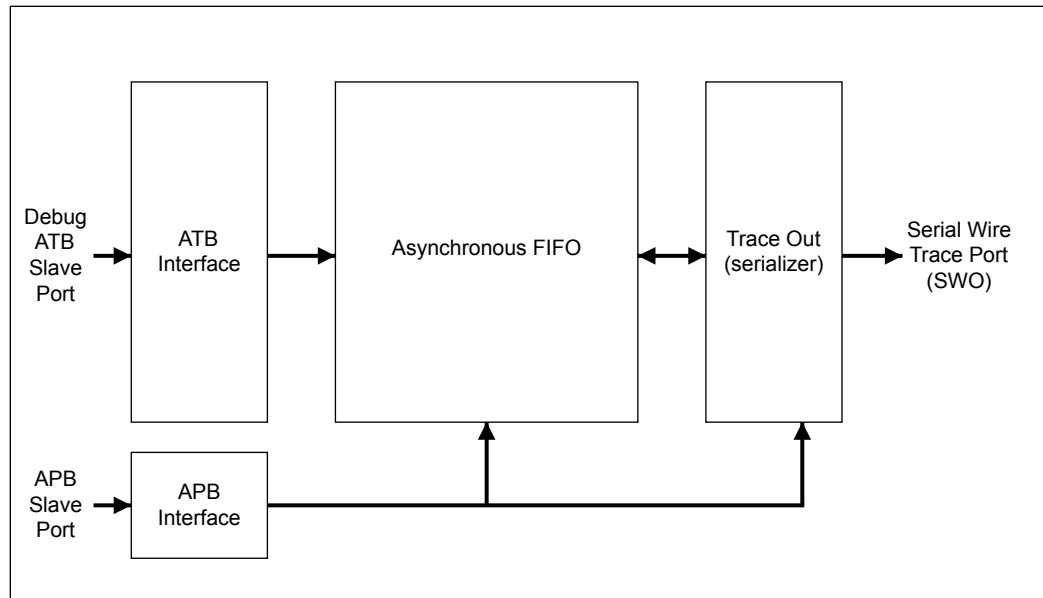
## 2.2.2 Embedded Trace Macrocell (ETM)

ETM was not implemented in the Stellaris<sup>®</sup> devices. This means Chapters 15 and 16 of the *ARM<sup>®</sup> Cortex<sup>™</sup>-M3 Technical Reference Manual* can be ignored.

## 2.2.3 Trace Port Interface Unit (TPIU)

The TPIU acts as a bridge between the Cortex-M3 trace data from the ITM, and an off-chip Trace Port Analyzer. The Stellaris<sup>®</sup> devices have implemented TPIU as shown in Figure 2-2 on page 42. This is similar to the non-ETM version described in the *ARM<sup>®</sup> Cortex<sup>™</sup>-M3 Technical Reference Manual*, however, SWJ-DP only provides SWV output for the TPIU.

**Figure 2-2. TPIU Block Diagram**



## 2.2.4 ROM Table

The default ROM table was implemented as described in the *ARM<sup>®</sup> Cortex<sup>™</sup>-M3 Technical Reference Manual*.

## 2.2.5 Memory Protection Unit (MPU)

The Memory Protection Unit (MPU) is included on the LM3S6911 controller and supports the standard ARMv7 Protected Memory System Architecture (PMSA) model. The MPU provides full support for protection regions, overlapping protection regions, access permissions, and exporting memory attributes to the system.

## 2.2.6 Nested Vectored Interrupt Controller (NVIC)

The Nested Vectored Interrupt Controller (NVIC):

- Facilitates low-latency exception and interrupt handling
- Controls power management
- Implements system control registers

The NVIC supports up to 240 dynamically reprioritizable interrupts each with up to 256 levels of priority. The NVIC and the processor core interface are closely coupled, which enables low latency interrupt processing and efficient processing of late arriving interrupts. The NVIC maintains knowledge of the stacked (nested) interrupts to enable tail-chaining of interrupts.

You can only fully access the NVIC from privileged mode, but you can pend interrupts in user-mode if you enable the Configuration Control Register (see the ARM® Cortex™-M3 Technical Reference Manual). Any other user-mode access causes a bus fault.

All NVIC registers are accessible using byte, halfword, and word unless otherwise stated.

### 2.2.6.1 Interrupts

The *ARM® Cortex™-M3 Technical Reference Manual* describes the maximum number of interrupts and interrupt priorities. The LM3S6911 microcontroller supports 30 interrupts with eight priority levels.

### 2.2.6.2 System Timer (SysTick)

Cortex-M3 includes an integrated system timer, SysTick. SysTick provides a simple, 24-bit clear-on-write, decrementing, wrap-on-zero counter with a flexible control mechanism. The counter can be used in several different ways, for example:

- An RTOS tick timer which fires at a programmable rate (for example, 100 Hz) and invokes a SysTick routine.
- A high-speed alarm timer using the system clock.
- A variable rate alarm or signal timer—the duration is range-dependent on the reference clock used and the dynamic range of the counter.
- A simple counter. Software can use this to measure time to completion and time used.
- An internal clock source control based on missing/meeting durations. The COUNTFLAG bit-field in the control and status register can be used to determine if an action completed within a set duration, as part of a dynamic clock management control loop.

#### **Functional Description**

The timer consists of three registers:

- A control and status counter to configure its clock, enable the counter, enable the SysTick interrupt, and determine counter status.
- The reload value for the counter, used to provide the counter's wrap value.
- The current value of the counter.

A fourth register, the SysTick Calibration Value Register, is not implemented in the Stellaris® devices.

When enabled, the timer counts down from the reload value to zero, reloads (wraps) to the value in the SysTick Reload Value register on the next clock edge, then decrements on subsequent clocks. Writing a value of zero to the Reload Value register disables the counter on the next wrap. When the counter reaches zero, the COUNTFLAG status bit is set. The COUNTFLAG bit clears on reads.

Writing to the Current Value register clears the register and the COUNTFLAG status bit. The write does not trigger the SysTick exception logic. On a read, the current value is the value of the register at the time the register is accessed.

If the core is in debug state (halted), the counter will not decrement. The timer is clocked with respect to a reference clock. The reference clock can be the core clock or an external clock source.

### **SysTick Control and Status Register**

Use the SysTick Control and Status Register to enable the SysTick features. The reset is 0x0000.0000.

| Bit/Field | Name      | Type | Reset | Description   |
|-----------|-----------|------|-------|---|
| 31:17     | reserved  | RO   | 0     | Software should not rely on the value of a reserved bit. To provide compatibility with future products, the value of a reserved bit should be preserved across a read-modify-write operation.   |
| 16        | COUNTFLAG | R/W  | 0     | Count Flag<br>Returns 1 if timer counted to 0 since last time this was read. Clears on read by application. If read by the debugger using the DAP, this bit is cleared on read-only if the MasterType bit in the AHB-AP Control Register is set to 0. Otherwise, the COUNTFLAG bit is not changed by the debugger read.   |
| 15:3      | reserved  | RO   | 0     | Software should not rely on the value of a reserved bit. To provide compatibility with future products, the value of a reserved bit should be preserved across a read-modify-write operation.   |
| 2         | CLKSOURCE | R/W  | 0     | Clock Source<br><br>Value Description<br>0 External reference clock. (Not implemented for Stellaris microcontrollers.)<br>1 Core clock<br><br>If no reference clock is provided, it is held at 1 and so gives the same time as the core clock. The core clock must be at least 2.5 times faster than the reference clock. If it is not, the count values are unpredictable. |
| 1         | TICKINT   | R/W  | 0     | Tick Interrupt<br><br>Value Description<br>0 Counting down to 0 does not generate the interrupt request to the NVIC. Software can use the COUNTFLAG to determine if ever counted to 0.<br>1 Counting down to 0 pends the SysTick handler.   |
| 0         | ENABLE    | R/W  | 0     | Enable<br><br>Value Description<br>0 Counter disabled.<br>1 Counter operates in a multi-shot way. That is, counter loads with the Reload value and then begins counting down. On reaching 0, it sets the COUNTFLAG to 1 and optionally pends the SysTick handler, based on TICKINT. It then loads the Reload value again, and begins counting.                              |

### **SysTick Reload Value Register**

Use the SysTick Reload Value Register to specify the start value to load into the current value register when the counter reaches 0. It can be any value between 1 and 0x00FF.FFFF. A start value of 0 is possible, but has no effect because the SysTick interrupt and COUNTFLAG are activated when counting from 1 to 0.

Therefore, as a multi-shot timer, repeated over and over, it fires every N+1 clock pulse, where N is any value from 1 to 0x00FF.FFFF. So, if the tick interrupt is required every 100 clock pulses, 99 must be written into the RELOAD. If a new value is written on each tick interrupt, so treated as single shot, then the actual count down must be written. For example, if a tick is next required after 400 clock pulses, 400 must be written into the RELOAD.

| Bit/Field | Name     | Type | Reset | Description   |
|-----------|----------|------|-------|---|
| 31:24     | reserved | RO   | 0     | Software should not rely on the value of a reserved bit. To provide compatibility with future products, the value of a reserved bit should be preserved across a read-modify-write operation. |
| 23:0      | RELOAD   | R/W  | -     | Reload<br>Value to load into the SysTick Current Value Register when the counter reaches 0.   |

### ***SysTick Current Value Register***

Use the SysTick Current Value Register to find the current value in the register.

| Bit/Field | Name     | Type | Reset | Description   |
|-----------|----------|------|-------|---|
| 31:24     | reserved | RO   | 0     | Software should not rely on the value of a reserved bit. To provide compatibility with future products, the value of a reserved bit should be preserved across a read-modify-write operation.   |
| 23:0      | CURRENT  | W1C  | -     | Current Value<br>Current value at the time the register is accessed. No read-modify-write protection is provided, so change with care.<br>This register is write-clear. Writing to it with any value clears the register to 0. Clearing this register also clears the COUNTFLAG bit of the SysTick Control and Status Register. |

### ***SysTick Calibration Value Register***

The SysTick Calibration Value register is not implemented.

### 3 Memory Map

The memory map for the LM3S6911 controller is provided in Table 3-1 on page 46.

In this manual, register addresses are given as a hexadecimal increment, relative to the module's base address as shown in the memory map. See also Chapter 4, "Memory Map" in the *ARM® Cortex™-M3 Technical Reference Manual*.

**Table 3-1. Memory Map<sup>a</sup>**

| Start                   | End         | Description                                       | For details on registers, see page ... |
|-------------------------|-------------|---|--|
| <b>Memory</b>           |             |   |  |
| 0x0000.0000             | 0x0003.FFFF | On-chip flash <sup>b</sup>                        | 149                                    |
| 0x0004.0000             | 0x1FFF.FFFF | Reserved  | -                                      |
| 0x2000.0000             | 0x2000.FFFF | Bit-banded on-chip SRAM <sup>c</sup>              | 149                                    |
| 0x2001.0000             | 0x21FF.FFFF | Reserved  | -                                      |
| 0x2200.0000             | 0x221F.FFFF | Bit-band alias of 0x2000.0000 through 0x200F.FFFF | 144                                    |
| 0x2220.0000             | 0x3FFF.FFFF | Reserved  | -                                      |
| <b>FIRM Peripherals</b> |             |   |  |
| 0x4000.0000             | 0x4000.0FFF | Watchdog timer                                    | 250                                    |
| 0x4000.1000             | 0x4000.3FFF | Reserved  | -                                      |
| 0x4000.4000             | 0x4000.4FFF | GPIO Port A                                       | 176                                    |
| 0x4000.5000             | 0x4000.5FFF | GPIO Port B                                       | 176                                    |
| 0x4000.6000             | 0x4000.6FFF | GPIO Port C                                       | 176                                    |
| 0x4000.7000             | 0x4000.7FFF | GPIO Port D                                       | 176                                    |
| 0x4000.8000             | 0x4000.8FFF | SSI0  | 323                                    |
| 0x4000.9000             | 0x4000.9FFF | SSI1  | 323                                    |
| 0x4000.A000             | 0x4000.BFFF | Reserved  | -                                      |
| 0x4000.C000             | 0x4000.CFFF | UART0   | 278                                    |
| 0x4000.D000             | 0x4000.DFFF | UART1   | 278                                    |
| 0x4000.E000             | 0x4000.EFFF | UART2   | 278                                    |
| 0x4000.F000             | 0x4001.FFFF | Reserved  | -                                      |
| <b>Peripherals</b>      |             |   |  |
| 0x4002.0000             | 0x4002.07FF | I2C Master 0                                      | 363                                    |
| 0x4002.0800             | 0x4002.0FFF | I2C Slave 0                                       | 376                                    |
| 0x4002.1000             | 0x4002.17FF | I2C Master 1                                      | 363                                    |
| 0x4002.1800             | 0x4002.1FFF | I2C Slave 1                                       | 376                                    |
| 0x4002.2000             | 0x4002.3FFF | Reserved  | -                                      |
| 0x4002.4000             | 0x4002.4FFF | GPIO Port E                                       | 176                                    |
| 0x4002.5000             | 0x4002.5FFF | GPIO Port F                                       | 176                                    |
| 0x4002.6000             | 0x4002.6FFF | GPIO Port G                                       | 176                                    |
| 0x4002.7000             | 0x4002.7FFF | GPIO Port H                                       | 176                                    |
| 0x4002.8000             | 0x4002.FFFF | Reserved  | -                                      |
| 0x4003.0000             | 0x4003.0FFF | Timer0  | 222                                    |

Table 3-1. Memory Map (continued)

| Start                         | End         | Description   | For details on registers, see page ...     |
|-------------------------------|-------------|---|--|
| 0x4003.1000                   | 0x4003.1FFF | Timer1  | 222  |
| 0x4003.2000                   | 0x4003.2FFF | Timer2  | 222  |
| 0x4003.3000                   | 0x4003.3FFF | Timer3  | 222  |
| 0x4003.4000                   | 0x4003.BFFF | Reserved  | -  |
| 0x4003.C000                   | 0x4003.CFFF | Analog Comparators                                  | 432  |
| 0x4003.D000                   | 0x4004.7FFF | Reserved  | -  |
| 0x4004.8000                   | 0x4004.8FFF | Ethernet Controller                                 | 395  |
| 0x4004.9000                   | 0x400F.BFFF | Reserved  | -  |
| 0x400F.C000                   | 0x400F.CFFF | Hibernation Module                                  | 131  |
| 0x400F.D000                   | 0x400F.DFFF | Flash control                                       | 149  |
| 0x400F.E000                   | 0x400F.EFFF | System control                                      | 73   |
| 0x400F.F000                   | 0x41FF.FFFF | Reserved  | -  |
| 0x4200.0000                   | 0x43FF.FFFF | Bit-banded alias of 0x4000.0000 through 0x400F.FFFF | -  |
| 0x4400.0000                   | 0xDFFF.FFFF | Reserved  | -  |
| <b>Private Peripheral Bus</b> |             |   |  |
| 0xE000.0000                   | 0xE000.0FFF | Instrumentation Trace Macrocell (ITM)               | ARM® Cortex™-M3 Technical Reference Manual |
| 0xE000.1000                   | 0xE000.1FFF | Data Watchpoint and Trace (DWT)                     | ARM® Cortex™-M3 Technical Reference Manual |
| 0xE000.2000                   | 0xE000.2FFF | Flash Patch and Breakpoint (FPB)                    | ARM® Cortex™-M3 Technical Reference Manual |
| 0xE000.3000                   | 0xE000.DFFF | Reserved  | -  |
| 0xE000.E000                   | 0xE000.EFFF | Nested Vectored Interrupt Controller (NVIC)         | ARM® Cortex™-M3 Technical Reference Manual |
| 0xE000.F000                   | 0xE003.FFFF | Reserved  | -  |
| 0xE004.0000                   | 0xE004.0FFF | Trace Port Interface Unit (TPIU)                    | ARM® Cortex™-M3 Technical Reference Manual |
| 0xE004.1000                   | 0xFFFF.FFFF | Reserved  | -  |

- a. All reserved space returns a bus fault when read or written.  
b. The unavailable flash will bus fault throughout this range.  
c. The unavailable SRAM will bus fault throughout this range.

## 4 Interrupts

The ARM Cortex-M3 processor and the Nested Vectored Interrupt Controller (NVIC) prioritize and handle all exceptions. All exceptions are handled in Handler Mode. The processor state is automatically stored to the stack on an exception, and automatically restored from the stack at the end of the Interrupt Service Routine (ISR). The vector is fetched in parallel to the state saving, which enables efficient interrupt entry. The processor supports tail-chaining, which enables back-to-back interrupts to be performed without the overhead of state saving and restoration.

Table 4-1 on page 48 lists all exception types. Software can set eight priority levels on seven of these exceptions (system handlers) as well as on 30 interrupts (listed in Table 4-2 on page 49).

Priorities on the system handlers are set with the NVIC System Handler Priority registers. Interrupts are enabled through the NVIC Interrupt Set Enable register and prioritized with the NVIC Interrupt Priority registers. You also can group priorities by splitting priority levels into pre-emption priorities and subpriorities. All of the interrupt registers are described in Chapter 8, “Nested Vectored Interrupt Controller” in the *ARM® Cortex™-M3 Technical Reference Manual*.

Internally, the highest user-settable priority (0) is treated as fourth priority, after a Reset, NMI, and a Hard Fault. Note that 0 is the default priority for all the settable priorities.

If you assign the same priority level to two or more interrupts, their hardware priority (the lower position number) determines the order in which the processor activates them. For example, if both GPIO Port A and GPIO Port B are priority level 1, then GPIO Port A has higher priority.

---

**Important:** It may take several processor cycles after a write to clear an interrupt source in order for NVIC to see the interrupt source de-assert. This means if the interrupt clear is done as the last action in an interrupt handler, it is possible for the interrupt handler to complete while NVIC sees the interrupt as still asserted, causing the interrupt handler to be re-entered errantly. This can be avoided by either clearing the interrupt source at the beginning of the interrupt handler or by performing a read or write after the write to clear the interrupt source (and flush the write buffer).

---

See Chapter 5, “Exceptions” and Chapter 8, “Nested Vectored Interrupt Controller” in the *ARM® Cortex™-M3 Technical Reference Manual* for more information on exceptions and interrupts.

**Table 4-1. Exception Types**

| Exception Type               | Vector Number | Priority <sup>a</sup> | Description  |
|------------------------------|---------------|-----------------------|--|
| -                            | 0             | -                     | Stack top is loaded from first entry of vector table on reset.   |
| Reset                        | 1             | -3 (highest)          | Invoked on power up and warm reset. On first instruction, drops to lowest priority (and then is called the base level of activation). This is asynchronous.                            |
| Non-Maskable Interrupt (NMI) | 2             | -2                    | Cannot be stopped or preempted by any exception but reset. This is asynchronous.<br><br>An NMI is only producible by software, using the NVIC <b>Interrupt Control State</b> register. |
| Hard Fault                   | 3             | -1                    | All classes of Fault, when the fault cannot activate due to priority or the configurable fault handler has been disabled. This is synchronous.   |
| Memory Management            | 4             | settable              | MPU mismatch, including access violation and no match. This is synchronous.<br><br>The priority of this exception can be changed.  |



**Table 4-1. Exception Types (continued)**

| Exception Type | Vector Number | Priority <sup>a</sup> | Description   |
|----------------|---------------|-----------------------|---|
| Bus Fault      | 5             | settable              | Pre-fetch fault, memory access fault, and other address/memory related faults. This is synchronous when precise and asynchronous when imprecise.<br><br>You can enable or disable this fault. |
| Usage Fault    | 6             | settable              | Usage fault, such as undefined instruction executed or illegal state transition attempt. This is synchronous.   |
| -              | 7-10          | -                     | Reserved.   |
| SVCcall        | 11            | settable              | System service call with SVC instruction. This is synchronous.  |
| Debug Monitor  | 12            | settable              | Debug monitor (when not halting). This is synchronous, but only active when enabled. It does not activate if lower priority than the current activation.                                      |
| -              | 13            | -                     | Reserved.   |
| PendSV         | 14            | settable              | Pendable request for system service. This is asynchronous and only pended by software.  |
| SysTick        | 15            | settable              | System tick timer has fired. This is asynchronous.  |
| Interrupts     | 16 and above  | settable              | Asserted from outside the ARM Cortex-M3 core and fed through the NVIC (prioritized). These are all asynchronous. Table 4-2 on page 49 lists the interrupts on the LM3S6911 controller.        |

a. 0 is the default priority for all the settable priorities.

**Table 4-2. Interrupts**

| Vector Number | Interrupt Number (Bit in Interrupt Registers) | Description          |
|---------------|---|----------------------|
| 0-15          | -   | Processor exceptions |
| 16            | 0   | GPIO Port A          |
| 17            | 1   | GPIO Port B          |
| 18            | 2   | GPIO Port C          |
| 19            | 3   | GPIO Port D          |
| 20            | 4   | GPIO Port E          |
| 21            | 5   | UART0                |
| 22            | 6   | UART1                |
| 23            | 7   | SSI0                 |
| 24            | 8   | I2C0                 |
| 25-33         | 9-17  | Reserved             |
| 34            | 18  | Watchdog timer       |
| 35            | 19  | Timer0 A             |
| 36            | 20  | Timer0 B             |
| 37            | 21  | Timer1 A             |
| 38            | 22  | Timer1 B             |
| 39            | 23  | Timer2 A             |
| 40            | 24  | Timer2 B             |
| 41            | 25  | Analog Comparator 0  |
| 42            | 26  | Analog Comparator 1  |
| 43            | 27  | Reserved             |

**Table 4-2. Interrupts (continued)**

| Vector Number | Interrupt Number (Bit in Interrupt Registers) | Description         |
|---------------|---|---------------------|
| 44            | 28  | System Control      |
| 45            | 29  | Flash Control       |
| 46            | 30  | GPIO Port F         |
| 47            | 31  | GPIO Port G         |
| 48            | 32  | GPIO Port H         |
| 49            | 33  | UART2               |
| 50            | 34  | SSI1                |
| 51            | 35  | Timer3 A            |
| 52            | 36  | Timer3 B            |
| 53            | 37  | I2C1                |
| 54-57         | 38-41   | Reserved            |
| 58            | 42  | Ethernet Controller |
| 59            | 43  | Hibernation Module  |
| 60-70         | 44-54   | Reserved            |

## 5 JTAG Interface

The Joint Test Action Group (JTAG) port is an IEEE standard that defines a Test Access Port and Boundary Scan Architecture for digital integrated circuits and provides a standardized serial interface for controlling the associated test logic. The TAP, Instruction Register (IR), and Data Registers (DR) can be used to test the interconnections of assembled printed circuit boards and obtain manufacturing information on the components. The JTAG Port also provides a means of accessing and controlling design-for-test features such as I/O pin observation and control, scan testing, and debugging.

The JTAG port is comprised of five pins:  $\overline{\text{TRST}}$ , TCK, TMS, TDI, and TDO. Data is transmitted serially into the controller on TDI and out of the controller on TDO. The interpretation of this data is dependent on the current state of the TAP controller. For detailed information on the operation of the JTAG port and TAP controller, please refer to the *IEEE Standard 1149.1-Test Access Port and Boundary-Scan Architecture*.

The Stellaris® JTAG controller works with the ARM JTAG controller built into the Cortex-M3 core. This is implemented by multiplexing the TDO outputs from both JTAG controllers. ARM JTAG instructions select the ARM TDO output while Stellaris® JTAG instructions select the Stellaris® TDO outputs. The multiplexer is controlled by the Stellaris® JTAG controller, which has comprehensive programming for the ARM, Stellaris®, and unimplemented JTAG instructions.

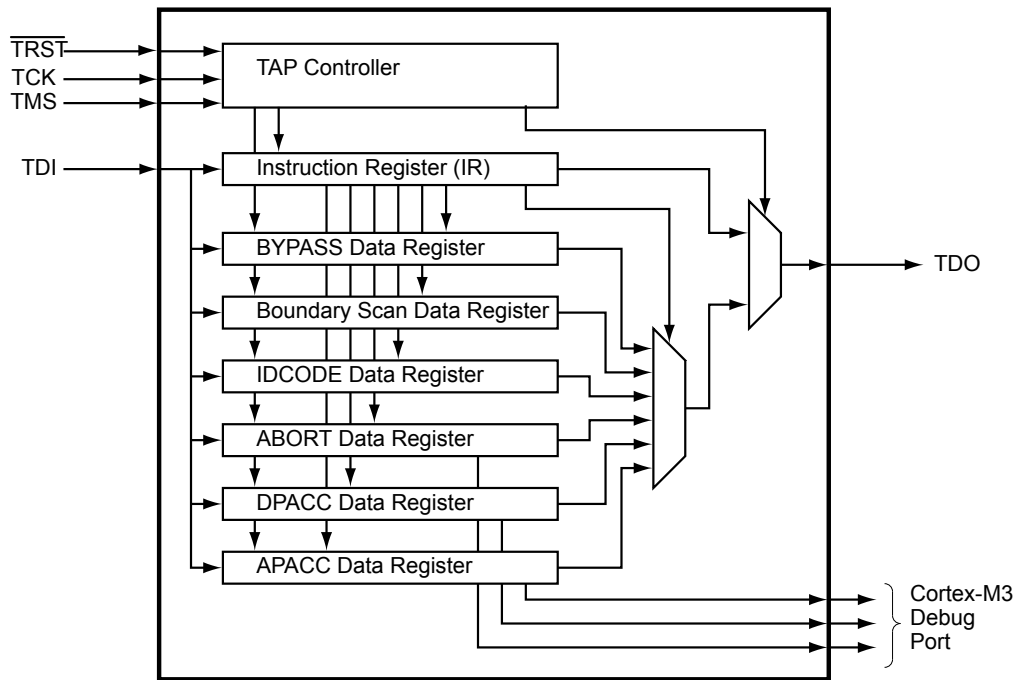
The Stellaris® JTAG module has the following features:

- IEEE 1149.1-1990 compatible Test Access Port (TAP) controller
- Four-bit Instruction Register (IR) chain for storing JTAG instructions
- IEEE standard instructions: BYPASS, IDCODE, SAMPLE/PRELOAD, EXTEST and INTTEST
- ARM additional instructions: APACC, DPACC and ABORT
- Integrated ARM Serial Wire Debug (SWD)

See the *ARM® Cortex™-M3 Technical Reference Manual* for more information on the ARM JTAG controller.

## 5.1 Block Diagram

Figure 5-1. JTAG Module Block Diagram



## 5.2 Functional Description

A high-level conceptual drawing of the JTAG module is shown in Figure 5-1 on page 52. The JTAG module is composed of the Test Access Port (TAP) controller and serial shift chains with parallel update registers. The TAP controller is a simple state machine controlled by the  $\overline{\text{TRST}}$ ,  $\text{TCK}$  and  $\text{TMS}$  inputs. The current state of the TAP controller depends on the current value of  $\overline{\text{TRST}}$  and the sequence of values captured on  $\text{TMS}$  at the rising edge of  $\text{TCK}$ . The TAP controller determines when the serial shift chains capture new data, shift data from  $\text{TDI}$  towards  $\text{TDO}$ , and update the parallel load registers. The current state of the TAP controller also determines whether the Instruction Register (IR) chain or one of the Data Register (DR) chains is being accessed.

The serial shift chains with parallel load registers are comprised of a single Instruction Register (IR) chain and multiple Data Register (DR) chains. The current instruction loaded in the parallel load register determines which DR chain is captured, shifted, or updated during the sequencing of the TAP controller.

Some instructions, like  $\text{EXTEST}$  and  $\text{INTEST}$ , operate on data currently in a DR chain and do not capture, shift, or update any of the chains. Instructions that are not implemented decode to the  $\text{BYPASS}$  instruction to ensure that the serial path between  $\text{TDI}$  and  $\text{TDO}$  is always connected (see Table 5-2 on page 58 for a list of implemented instructions).

See “JTAG and Boundary Scan” on page 477 for JTAG timing diagrams.

### 5.2.1 JTAG Interface Pins

The JTAG interface consists of five standard pins:  $\overline{\text{TRST}}$ ,  $\text{TCK}$ ,  $\text{TMS}$ ,  $\text{TDI}$ , and  $\text{TDO}$ . These pins and their associated reset state are given in Table 5-1 on page 53. Detailed information on each pin follows.

**Table 5-1. JTAG Port Pins Reset State**

| Pin Name                 | Data Direction | Internal Pull-Up | Internal Pull-Down | Drive Strength | Drive Value |
|--------------------------|----------------|------------------|--------------------|----------------|-------------|
| $\overline{\text{TRST}}$ | Input          | Enabled          | Disabled           | N/A            | N/A         |
| TCK                      | Input          | Enabled          | Disabled           | N/A            | N/A         |
| TMS                      | Input          | Enabled          | Disabled           | N/A            | N/A         |
| TDI                      | Input          | Enabled          | Disabled           | N/A            | N/A         |
| TDO                      | Output         | Enabled          | Disabled           | 2-mA driver    | High-Z      |

### 5.2.1.1 Test Reset Input ( $\overline{\text{TRST}}$ )

The  $\overline{\text{TRST}}$  pin is an asynchronous active Low input signal for initializing and resetting the JTAG TAP controller and associated JTAG circuitry. When  $\overline{\text{TRST}}$  is asserted, the TAP controller resets to the Test-Logic-Reset state and remains there while  $\overline{\text{TRST}}$  is asserted. When the TAP controller enters the Test-Logic-Reset state, the JTAG Instruction Register (IR) resets to the default instruction, IDCODE.

By default, the internal pull-up resistor on the  $\overline{\text{TRST}}$  pin is enabled after reset. Changes to the pull-up resistor settings on GPIO Port B should ensure that the internal pull-up resistor remains enabled on PB7/ $\overline{\text{TRST}}$ ; otherwise JTAG communication could be lost.

### 5.2.1.2 Test Clock Input (TCK)

The TCK pin is the clock for the JTAG module. This clock is provided so the test logic can operate independently of any other system clocks. In addition, it ensures that multiple JTAG TAP controllers that are daisy-chained together can synchronously communicate serial test data between components. During normal operation, TCK is driven by a free-running clock with a nominal 50% duty cycle. When necessary, TCK can be stopped at 0 or 1 for extended periods of time. While TCK is stopped at 0 or 1, the state of the TAP controller does not change and data in the JTAG Instruction and Data Registers is not lost.

By default, the internal pull-up resistor on the TCK pin is enabled after reset. This assures that no clocking occurs if the pin is not driven from an external source. The internal pull-up and pull-down resistors can be turned off to save internal power as long as the TCK pin is constantly being driven by an external source.

### 5.2.1.3 Test Mode Select (TMS)

The TMS pin selects the next state of the JTAG TAP controller. TMS is sampled on the rising edge of TCK. Depending on the current TAP state and the sampled value of TMS, the next state is entered. Because the TMS pin is sampled on the rising edge of TCK, the *IEEE Standard 1149.1* expects the value on TMS to change on the falling edge of TCK.

Holding TMS high for five consecutive TCK cycles drives the TAP controller state machine to the Test-Logic-Reset state. When the TAP controller enters the Test-Logic-Reset state, the JTAG Instruction Register (IR) resets to the default instruction, IDCODE. Therefore, this sequence can be used as a reset mechanism, similar to asserting  $\overline{\text{TRST}}$ . The JTAG Test Access Port state machine can be seen in its entirety in Figure 5-2 on page 55.

By default, the internal pull-up resistor on the TMS pin is enabled after reset. Changes to the pull-up resistor settings on GPIO Port C should ensure that the internal pull-up resistor remains enabled on PC1/TMS; otherwise JTAG communication could be lost.

#### 5.2.1.4 Test Data Input (TDI)

The TDI pin provides a stream of serial information to the IR chain and the DR chains. TDI is sampled on the rising edge of TCK and, depending on the current TAP state and the current instruction, presents this data to the proper shift register chain. Because the TDI pin is sampled on the rising edge of TCK, the *IEEE Standard 1149.1* expects the value on TDI to change on the falling edge of TCK.

By default, the internal pull-up resistor on the TDI pin is enabled after reset. Changes to the pull-up resistor settings on GPIO Port C should ensure that the internal pull-up resistor remains enabled on PC2/TDI; otherwise JTAG communication could be lost.

#### 5.2.1.5 Test Data Output (TDO)

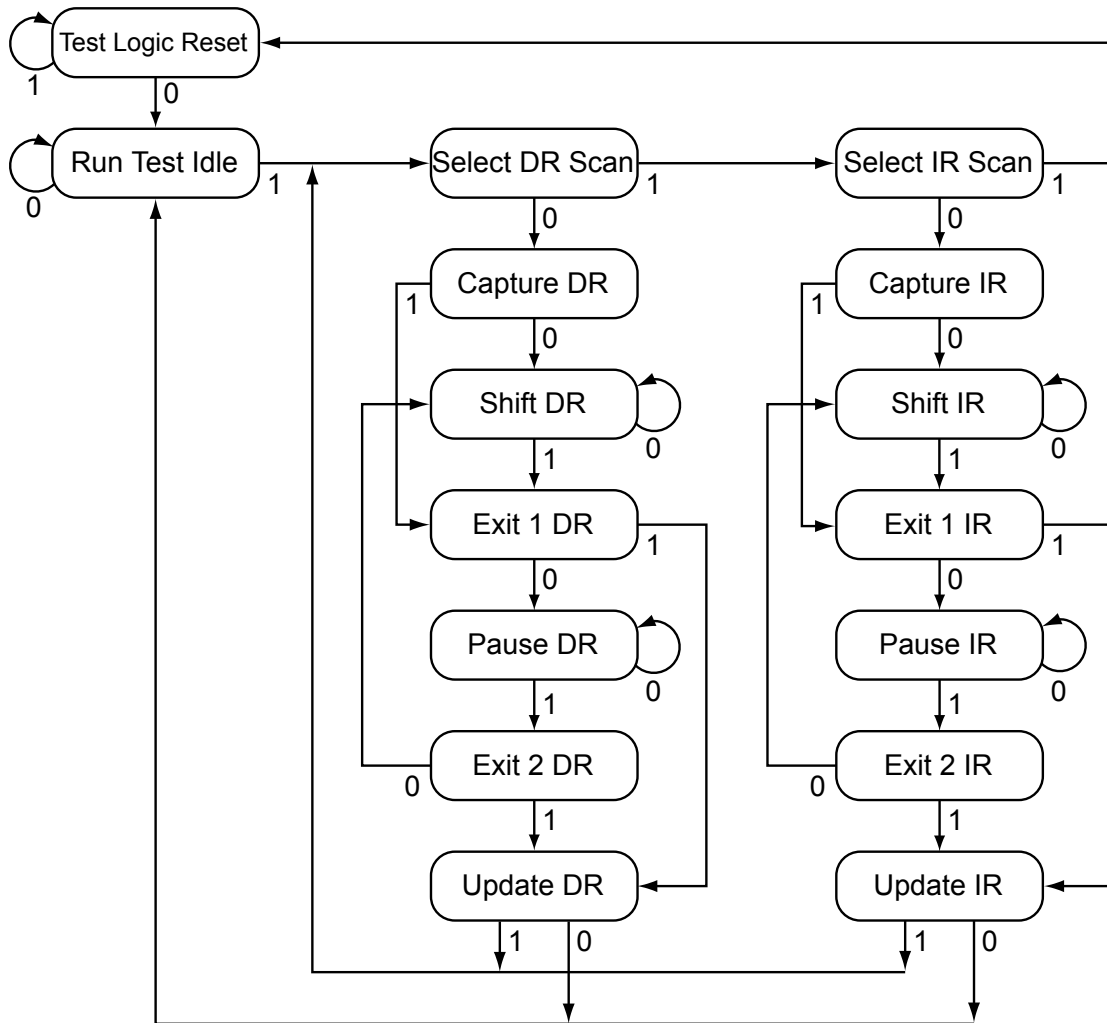
The TDO pin provides an output stream of serial information from the IR chain or the DR chains. The value of TDO depends on the current TAP state, the current instruction, and the data in the chain being accessed. In order to save power when the JTAG port is not being used, the TDO pin is placed in an inactive drive state when not actively shifting out data. Because TDO can be connected to the TDI of another controller in a daisy-chain configuration, the *IEEE Standard 1149.1* expects the value on TDO to change on the falling edge of TCK.

By default, the internal pull-up resistor on the TDO pin is enabled after reset. This assures that the pin remains at a constant logic level when the JTAG port is not being used. The internal pull-up and pull-down resistors can be turned off to save internal power if a High-Z output value is acceptable during certain TAP controller states.

### 5.2.2 JTAG TAP Controller

The JTAG TAP controller state machine is shown in Figure 5-2 on page 55. The TAP controller state machine is reset to the Test-Logic-Reset state on the assertion of a Power-On-Reset (POR) or the assertion of  $\overline{\text{TRST}}$ . Asserting the correct sequence on the TMS pin allows the JTAG module to shift in new instructions, shift in data, or idle during extended testing sequences. For detailed information on the function of the TAP controller and the operations that occur in each state, please refer to *IEEE Standard 1149.1*.

Figure 5-2. Test Access Port State Machine



### 5.2.3 Shift Registers

The Shift Registers consist of a serial shift register chain and a parallel load register. The serial shift register chain samples specific information during the TAP controller's CAPTURE states and allows this information to be shifted out of TDO during the TAP controller's SHIFT states. While the sampled data is being shifted out of the chain on TDO, new data is being shifted into the serial shift register on TDI. This new data is stored in the parallel load register during the TAP controller's UPDATE states. Each of the shift registers is discussed in detail in "Register Descriptions" on page 58.

### 5.2.4 Operational Considerations

There are certain operational considerations when using the JTAG module. Because the JTAG pins can be programmed to be GPIOs, board configuration and reset conditions on these pins must be considered. In addition, because the JTAG module has integrated ARM Serial Wire Debug, the method for switching between these two operational modes is described below.

### 5.2.4.1 GPIO Functionality

When the controller is reset with either a POR or  $\overline{\text{RST}}$ , the JTAG/SWD port pins default to their JTAG/SWD configurations. The default configuration includes enabling digital functionality (setting **GPIO DEN** to 1), enabling the pull-up resistors (setting **GPIO PUR** to 1), and enabling the alternate hardware function (setting **GPIO AFSEL** to 1) for the  $\text{PB7}$  and  $\text{PC}[3:0]$  JTAG/SWD pins.

It is possible for software to configure these pins as GPIOs after reset by writing 0s to  $\text{PB7}$  and  $\text{PC}[3:0]$  in the **GPIO AFSEL** register. If the user does not require the JTAG/SWD port for debugging or board-level testing, this provides five more GPIOs for use in the design.

---

**Caution – It is possible to create a software sequence that prevents the debugger from connecting to the Stellaris® microcontroller. If the program code loaded into flash immediately changes the JTAG pins to their GPIO functionality, the debugger may not have enough time to connect and halt the controller before the JTAG pin functionality switches. This may lock the debugger out of the part. This can be avoided with a software routine that restores JTAG functionality based on an external or software trigger.**

---

The GPIO commit control registers provide a layer of protection against accidental programming of critical hardware peripherals. Protection is currently provided for the five JTAG/SWD pins ( $\text{PB7}$  and  $\text{PC}[3:0]$ ). Writes to protected bits of the **GPIO Alternate Function Select (GPIO AFSEL)** register (see page 186) are not committed to storage unless the **GPIO Lock (GPIO LOCK)** register (see page 196) has been unlocked and the appropriate bits of the **GPIO Commit (GPIO CR)** register (see page 197) have been set to 1.

#### **Recovering a "Locked" Device**

**Note:** Performing the sequence below causes the nonvolatile registers discussed in “Nonvolatile Register Programming” on page 147 to be restored to their factory default values. The mass erase of the flash memory caused by the below sequence occurs prior to the nonvolatile registers being restored.

If software configures any of the JTAG/SWD pins as GPIO and loses the ability to communicate with the debugger, there is a debug sequence that can be used to recover the device. Performing a total of ten JTAG-to-SWD and SWD-to-JTAG switch sequences while holding the device in reset mass erases the flash memory. The sequence to recover the device is:

1. Assert and hold the  $\overline{\text{RST}}$  signal.
2. Perform the JTAG-to-SWD switch sequence.
3. Perform the SWD-to-JTAG switch sequence.
4. Perform the JTAG-to-SWD switch sequence.
5. Perform the SWD-to-JTAG switch sequence.
6. Perform the JTAG-to-SWD switch sequence.
7. Perform the SWD-to-JTAG switch sequence.
8. Perform the JTAG-to-SWD switch sequence.
9. Perform the SWD-to-JTAG switch sequence.
10. Perform the JTAG-to-SWD switch sequence.



11. Perform the SWD-to-JTAG switch sequence.
12. Release the  $\overline{\text{RST}}$  signal.
13. Wait 400 ms.
14. Power-cycle the device.

The JTAG-to-SWD and SWD-to-JTAG switch sequences are described in “ARM Serial Wire Debug (SWD)” on page 57. When performing switch sequences for the purpose of recovering the debug capabilities of the device, only steps 1 and 2 of the switch sequence in the section called “JTAG-to-SWD Switching” on page 57 must be performed.

#### 5.2.4.2 Communication with JTAG/SWD

Because the debug clock and the system clock can be running at different frequencies, care must be taken to maintain reliable communication with the JTAG/SWD interface. In the Capture-DR state, the result of the previous transaction, if any, is returned, together with a 3-bit ACK response. Software should check the ACK response to see if the previous operation has completed before initiating a new transaction. Alternatively, if the system clock is at least 8 times faster than the debug clock ( $\text{TCK}$  or  $\text{SWCLK}$ ), the previous operation has enough time to complete and the ACK bits do not have to be checked.

#### 5.2.4.3 ARM Serial Wire Debug (SWD)

In order to seamlessly integrate the ARM Serial Wire Debug (SWD) functionality, a serial-wire debugger must be able to connect to the Cortex-M3 core without having to perform, or have any knowledge of, JTAG cycles. This is accomplished with a SWD preamble that is issued before the SWD session begins.

The switching preamble used to enable the SWD interface of the SWJ-DP module starts with the TAP controller in the Test-Logic-Reset state. From here, the preamble sequences the TAP controller through the following states: Run Test Idle, Select DR, Select IR, Test Logic Reset, Test Logic Reset, Run Test Idle, Run Test Idle, Select DR, Select IR, Test Logic Reset, Test Logic Reset, Run Test Idle, Run Test Idle, Select DR, Select IR, and Test Logic Reset states.

Stepping through this sequences of the TAP state machine enables the SWD interface and disables the JTAG interface. For more information on this operation and the SWD interface, see the *ARM® Cortex™-M3 Technical Reference Manual* and the *ARM® CoreSight Technical Reference Manual*.

Because this sequence is a valid series of JTAG operations that could be issued, the ARM JTAG TAP controller is not fully compliant to the *IEEE Standard 1149.1*. This is the only instance where the ARM JTAG TAP controller does not meet full compliance with the specification. Due to the low probability of this sequence occurring during normal operation of the TAP controller, it should not affect normal performance of the JTAG interface.

#### **JTAG-to-SWD Switching**

To switch the operating mode of the Debug Access Port (DAP) from JTAG to SWD mode, the external debug hardware must send the switching preamble to the device. The 16-bit switch sequence for switching to SWD mode is defined as b1110011110011110, transmitted LSB first. This can also be represented as 16'hE79E when transmitted LSB first. The complete switch sequence should consist of the following transactions on the  $\text{TCK}/\text{SWCLK}$  and  $\text{TMS}/\text{SWDIO}$  signals:

1. Send at least 50  $\text{TCK}/\text{SWCLK}$  cycles with  $\text{TMS}/\text{SWDIO}$  set to 1. This ensures that both JTAG and SWD are in their reset/idle states.

2. Send the 16-bit JTAG-to-SWD switch sequence, 16'hE79E.
3. Send at least 50 TCK/SWCLK cycles with TMS/SWDIO set to 1. This ensures that if SWJ-DP was already in SWD mode, before sending the switch sequence, the SWD goes into the line reset state.

**SWD-to-JTAG Switching**

To switch the operating mode of the Debug Access Port (DAP) from SWD to JTAG mode, the external debug hardware must send a switch sequence to the device. The 16-bit switch sequence for switching to JTAG mode is defined as b1110011100111100, transmitted LSB first. This can also be represented as 16'hE73C when transmitted LSB first. The complete switch sequence should consist of the following transactions on the TCK/SWCLK and TMS/SWDIO signals:

1. Send at least 50 TCK/SWCLK cycles with TMS/SWDIO set to 1. This ensures that both JTAG and SWD are in their reset/idle states.
2. Send the 16-bit SWD-to-JTAG switch sequence, 16'hE73C.
3. Send at least 5 TCK/SWCLK cycles with TMS/SWDIO set to 1. This ensures that if SWJ-DP was already in JTAG mode, before sending the switch sequence, the JTAG goes into the Test Logic Reset state.

**5.3 Initialization and Configuration**

After a Power-On-Reset or an external reset ( $\overline{RST}$ ), the JTAG pins are automatically configured for JTAG communication. No user-defined initialization or configuration is needed. However, if the user application changes these pins to their GPIO function, they must be configured back to their JTAG functionality before JTAG communication can be restored. This is done by enabling the five JTAG pins (PB7 and PC[3:0]) for their alternate function using the GPIOAFSEL register. In addition to enabling the alternate functions, any other changes to the GPIO pad configurations on the five JTAG pins (PB7 and PC[3:0]) should be reverted to their default settings.

**5.4 Register Descriptions**

There are no APB-accessible registers in the JTAG TAP Controller or Shift Register chains. The registers within the JTAG controller are all accessed serially through the TAP Controller. The registers can be broken down into two main categories: Instruction Registers and Data Registers.

**5.4.1 Instruction Register (IR)**

The JTAG TAP Instruction Register (IR) is a four-bit serial scan chain connected between the JTAG TDI and TDO pins with a parallel load register. When the TAP Controller is placed in the correct states, bits can be shifted into the Instruction Register. Once these bits have been shifted into the chain and updated, they are interpreted as the current instruction. The decode of the Instruction Register bits is shown in Table 5-2 on page 58. A detailed explanation of each instruction, along with its associated Data Register, follows.

**Table 5-2. JTAG Instruction Register Commands**

| IR[3:0] | Instruction | Description   |
|---------|-------------|---|
| 0000    | EXTEST      | Drives the values preloaded into the Boundary Scan Chain by the SAMPLE/PRELOAD instruction onto the pads.       |
| 0001    | INTEST      | Drives the values preloaded into the Boundary Scan Chain by the SAMPLE/PRELOAD instruction into the controller. |

**Table 5-2. JTAG Instruction Register Commands (continued)**

| IR[3:0]    | Instruction      | Description  |
|------------|------------------|--|
| 0010       | SAMPLE / PRELOAD | Captures the current I/O values and shifts the sampled values out of the Boundary Scan Chain while new preload data is shifted in. |
| 1000       | ABORT            | Shifts data into the ARM Debug Port Abort Register.  |
| 1010       | DPACC            | Shifts data into and out of the ARM DP Access Register.  |
| 1011       | APACC            | Shifts data into and out of the ARM AC Access Register.  |
| 1110       | IDCODE           | Loads manufacturing information defined by the <i>IEEE Standard 1149.1</i> into the IDCODE chain and shifts it out.                |
| 1111       | BYPASS           | Connects TDI to TDO through a single Shift Register chain.   |
| All Others | Reserved         | Defaults to the BYPASS instruction to ensure that TDI is always connected to TDO.  |

#### 5.4.1.1 EXTEST Instruction

The EXTEST instruction is not associated with its own Data Register chain. The EXTEST instruction uses the data that has been preloaded into the Boundary Scan Data Register using the SAMPLE/PRELOAD instruction. When the EXTEST instruction is present in the Instruction Register, the preloaded data in the Boundary Scan Data Register associated with the outputs and output enables are used to drive the GPIO pads rather than the signals coming from the core. This allows tests to be developed that drive known values out of the controller, which can be used to verify connectivity. While the EXTEST instruction is present in the Instruction Register, the Boundary Scan Data Register can be accessed to sample and shift out the current data and load new data into the Boundary Scan Data Register.

#### 5.4.1.2 INTEST Instruction

The INTEST instruction is not associated with its own Data Register chain. The INTEST instruction uses the data that has been preloaded into the Boundary Scan Data Register using the SAMPLE/PRELOAD instruction. When the INTEST instruction is present in the Instruction Register, the preloaded data in the Boundary Scan Data Register associated with the inputs are used to drive the signals going into the core rather than the signals coming from the GPIO pads. This allows tests to be developed that drive known values into the controller, which can be used for testing. It is important to note that although the  $\overline{RST}$  input pin is on the Boundary Scan Data Register chain, it is only observable. While the INTEXT instruction is present in the Instruction Register, the Boundary Scan Data Register can be accessed to sample and shift out the current data and load new data into the Boundary Scan Data Register.

#### 5.4.1.3 SAMPLE/PRELOAD Instruction

The SAMPLE/PRELOAD instruction connects the Boundary Scan Data Register chain between TDI and TDO. This instruction samples the current state of the pad pins for observation and preloads new test data. Each GPIO pad has an associated input, output, and output enable signal. When the TAP controller enters the Capture DR state during this instruction, the input, output, and output-enable signals to each of the GPIO pads are captured. These samples are serially shifted out of TDO while the TAP controller is in the Shift DR state and can be used for observation or comparison in various tests.

While these samples of the inputs, outputs, and output enables are being shifted out of the Boundary Scan Data Register, new data is being shifted into the Boundary Scan Data Register from TDI. Once the new data has been shifted into the Boundary Scan Data Register, the data is saved in the parallel load registers when the TAP controller enters the Update DR state. This update of the parallel load register preloads data into the Boundary Scan Data Register that is associated with

each input, output, and output enable. This preloaded data can be used with the EXTEST and INTEST instructions to drive data into or out of the controller. Please see “Boundary Scan Data Register” on page 61 for more information.

#### 5.4.1.4 ABORT Instruction

The ABORT instruction connects the associated ABORT Data Register chain between TDI and TDO. This instruction provides read and write access to the ABORT Register of the ARM Debug Access Port (DAP). Shifting the proper data into this Data Register clears various error bits or initiates a DAP abort of a previous request. Please see the “ABORT Data Register” on page 62 for more information.

#### 5.4.1.5 DPACC Instruction

The DPACC instruction connects the associated DPACC Data Register chain between TDI and TDO. This instruction provides read and write access to the DPACC Register of the ARM Debug Access Port (DAP). Shifting the proper data into this register and reading the data output from this register allows read and write access to the ARM debug and status registers. Please see “DPACC Data Register” on page 62 for more information.

#### 5.4.1.6 APACC Instruction

The APACC instruction connects the associated APACC Data Register chain between TDI and TDO. This instruction provides read and write access to the APACC Register of the ARM Debug Access Port (DAP). Shifting the proper data into this register and reading the data output from this register allows read and write access to internal components and buses through the Debug Port. Please see “APACC Data Register” on page 62 for more information.

#### 5.4.1.7 IDCODE Instruction

The IDCODE instruction connects the associated IDCODE Data Register chain between TDI and TDO. This instruction provides information on the manufacturer, part number, and version of the ARM core. This information can be used by testing equipment and debuggers to automatically configure their input and output data streams. IDCODE is the default instruction that is loaded into the JTAG Instruction Register when a Power-On-Reset (POR) is asserted, TRST is asserted, or the Test-Logic-Reset state is entered. Please see “IDCODE Data Register” on page 61 for more information.

#### 5.4.1.8 BYPASS Instruction

The BYPASS instruction connects the associated BYPASS Data Register chain between TDI and TDO. This instruction is used to create a minimum length serial path between the TDI and TDO ports. The BYPASS Data Register is a single-bit shift register. This instruction improves test efficiency by allowing components that are not needed for a specific test to be bypassed in the JTAG scan chain by loading them with the BYPASS instruction. Please see “BYPASS Data Register” on page 61 for more information.

### 5.4.2 Data Registers

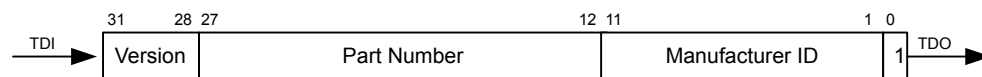
The JTAG module contains six Data Registers. These include: IDCODE, BYPASS, Boundary Scan, APACC, DPACC, and ABORT serial Data Register chains. Each of these Data Registers is discussed in the following sections.

### 5.4.2.1 IDCODE Data Register

The format for the 32-bit IDCODE Data Register defined by the *IEEE Standard 1149.1* is shown in Figure 5-3 on page 61. The standard requires that every JTAG-compliant device implement either the IDCODE instruction or the BYPASS instruction as the default instruction. The LSB of the IDCODE Data Register is defined to be a 1 to distinguish it from the BYPASS instruction, which has an LSB of 0. This allows auto configuration test tools to determine which instruction is the default instruction.

The major uses of the JTAG port are for manufacturer testing of component assembly, and program development and debug. To facilitate the use of auto-configuration debug tools, the IDCODE instruction outputs a value of 0x3BA0.0477. This allows the debuggers to automatically configure themselves to work correctly with the Cortex-M3 during debug.

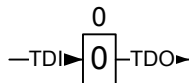
**Figure 5-3. IDCODE Register Format**



### 5.4.2.2 BYPASS Data Register

The format for the 1-bit BYPASS Data Register defined by the *IEEE Standard 1149.1* is shown in Figure 5-4 on page 61. The standard requires that every JTAG-compliant device implement either the BYPASS instruction or the IDCODE instruction as the default instruction. The LSB of the BYPASS Data Register is defined to be a 0 to distinguish it from the IDCODE instruction, which has an LSB of 1. This allows auto configuration test tools to determine which instruction is the default instruction.

**Figure 5-4. BYPASS Register Format**

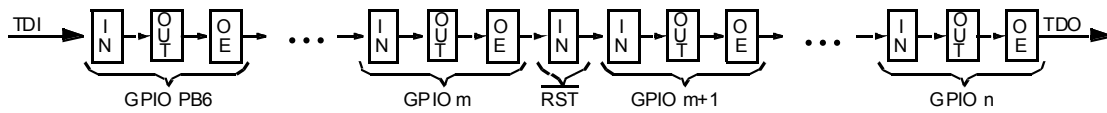


### 5.4.2.3 Boundary Scan Data Register

The format of the Boundary Scan Data Register is shown in Figure 5-5 on page 62. Each GPIO pin, starting with a GPIO pin next to the JTAG port pins, is included in the Boundary Scan Data Register. Each GPIO pin has three associated digital signals that are included in the chain. These signals are input, output, and output enable, and are arranged in that order as can be seen in the figure.

When the Boundary Scan Data Register is accessed with the SAMPLE/PRELOAD instruction, the input, output, and output enable from each digital pad are sampled and then shifted out of the chain to be verified. The sampling of these values occurs on the rising edge of  $TCK$  in the Capture DR state of the TAP controller. While the sampled data is being shifted out of the Boundary Scan chain in the Shift DR state of the TAP controller, new data can be preloaded into the chain for use with the EXTEST and INTEST instructions. These instructions either force data out of the controller, with the EXTEST instruction, or into the controller, with the INTEST instruction.

**Figure 5-5. Boundary Scan Register Format**



**5.4.2.4 APACC Data Register**

The format for the 35-bit APACC Data Register defined by ARM is described in the *ARM® Cortex™-M3 Technical Reference Manual*.

**5.4.2.5 DPACC Data Register**

The format for the 35-bit DPACC Data Register defined by ARM is described in the *ARM® Cortex™-M3 Technical Reference Manual*.

**5.4.2.6 ABORT Data Register**

The format for the 35-bit ABORT Data Register defined by ARM is described in the *ARM® Cortex™-M3 Technical Reference Manual*.

## 6 System Control

System control determines the overall operation of the device. It provides information about the device, controls the clocking to the core and individual peripherals, and handles reset detection and reporting.

### 6.1 Functional Description

The System Control module provides the following capabilities:

- Device identification, see “Device Identification” on page 63
- Local control, such as reset (see “Reset Control” on page 63), power (see “Power Control” on page 66) and clock control (see “Clock Control” on page 68)
- System control (Run, Sleep, and Deep-Sleep modes), see “System Control” on page 71

#### 6.1.1 Device Identification

Several read-only registers provide software with information on the microcontroller, such as version, part number, SRAM size, flash size, and other features. See the **DID0**, **DID1**, and **DC0-DC4** registers.

#### 6.1.2 Reset Control

This section discusses aspects of hardware functions during reset as well as system software requirements following the reset sequence.

##### 6.1.2.1 CMOD0 and CMOD1 Test-Mode Control Pins

Two pins, **CMOD0** and **CMOD1**, are defined for internal use for testing the microcontroller during manufacture. They have no end-user function and should not be used. The **CMOD** pins should be connected to ground.

##### 6.1.2.2 Reset Sources

The controller has five sources of reset:

1. External reset input pin ( $\overline{\text{RST}}$ ) assertion, see “External  $\overline{\text{RST}}$  Pin” on page 64.
2. Power-on reset (POR), see “Power-On Reset (POR)” on page 63.
3. Internal brown-out (BOR) detector, see “Brown-Out Reset (BOR)” on page 65.
4. Software-initiated reset (with the software reset registers), see “Software Reset” on page 66.
5. A watchdog timer reset condition violation, see “Watchdog Timer Reset” on page 66.

After a reset, the **Reset Cause (RESC)** register is set with the reset cause. The bits in this register are sticky and maintain their state across multiple reset sequences, except when an internal POR is the cause, and then all the other bits in the **RESC** register are cleared except for the POR indicator.

##### 6.1.2.3 Power-On Reset (POR)

**Note:** The power-on reset also resets the JTAG controller. An external reset does not.

The internal Power-On Reset (POR) circuit monitors the power supply voltage ( $V_{DD}$ ) and generates a reset signal to all of the internal logic including JTAG when the power supply ramp reaches a threshold value ( $V_{TH}$ ). The microcontroller must be operating within the specified operating parameters when the on-chip power-on reset pulse is complete. The 3.3-V power supply to the microcontroller must reach 3.0 V within 10 msec of  $V_{DD}$  crossing 2.0 V to guarantee proper operation. For applications that require the use of an external reset signal to hold the microcontroller in reset longer than the internal POR, the  $\overline{RST}$  input may be used as discussed in “External  $\overline{RST}$  Pin” on page 64.

The Power-On Reset sequence is as follows:

1. The microcontroller waits for internal POR to go inactive.
2. The internal reset is released and the core loads from memory the initial stack pointer, the initial program counter, and the first instruction designated by the program counter, and then begins execution.

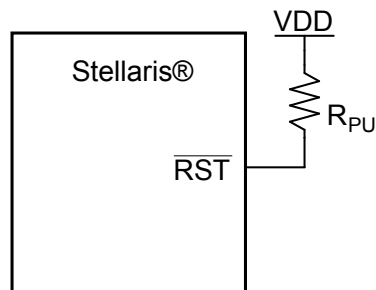
The internal POR is only active on the initial power-up of the microcontroller. The Power-On Reset timing is shown in Figure 20-6 on page 480.

#### 6.1.2.4 External $\overline{RST}$ Pin

**Note:** It is recommended that the trace for the  $\overline{RST}$  signal must be kept as short as possible. Be sure to place any components connected to the  $\overline{RST}$  signal as close to the microcontroller as possible.

If the application only uses the internal POR circuit, the  $\overline{RST}$  input must be connected to the power supply ( $V_{DD}$ ) through an optional pull-up resistor (0 to 100K  $\Omega$ ) as shown in Figure 6-1 on page 64.

**Figure 6-1. Basic  $\overline{RST}$  Configuration**



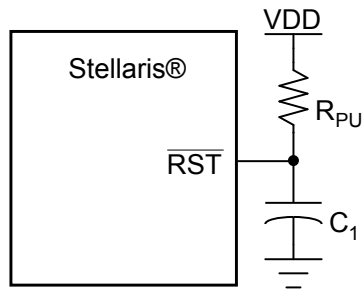
$R_{PU} = 0$  to 100 k $\Omega$

The external reset pin ( $\overline{RST}$ ) resets the microcontroller including the core and all the on-chip peripherals except the JTAG TAP controller (see “JTAG Interface” on page 51). The external reset sequence is as follows:

1. The external reset pin ( $\overline{RST}$ ) is asserted for the duration specified by  $T_{MIN}$  and then de-asserted (see “Reset” on page 479).
2. The internal reset is released and the core loads from memory the initial stack pointer, the initial program counter, and the first instruction designated by the program counter, and then begins execution.

To improve noise immunity and/or to delay reset at power up, the  $\overline{RST}$  input may be connected to an RC network as shown in Figure 6-2 on page 65.

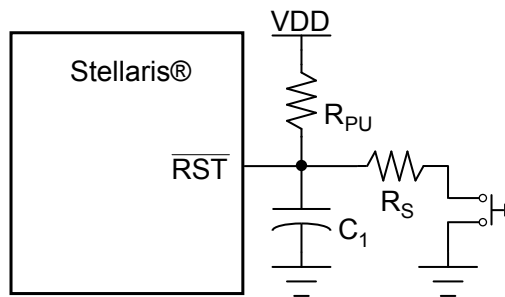


**Figure 6-2. External Circuitry to Extend Power-On Reset**

$$R_{PU} = 1 \text{ k}\Omega \text{ to } 100 \text{ k}\Omega$$

$$C_1 = 1 \text{ nF to } 10 \text{ }\mu\text{F}$$

If the application requires the use of an external reset switch, Figure 6-3 on page 65 shows the proper circuitry to use.

**Figure 6-3. Reset Circuit Controlled by Switch**

$$\text{Typical } R_{PU} = 10 \text{ k}\Omega$$

$$\text{Typical } R_S = 470 \text{ }\Omega$$

$$C_1 = 10 \text{ nF}$$

The  $R_{PU}$  and  $C_1$  components define the power-on delay.

The external reset timing is shown in Figure 20-5 on page 479.

### 6.1.2.5 Brown-Out Reset (BOR)

A drop in the input voltage resulting in the assertion of the internal brown-out detector can be used to reset the controller. This is initially disabled and may be enabled by software.

The system provides a brown-out detection circuit that triggers if the power supply ( $V_{DD}$ ) drops below a brown-out threshold voltage ( $V_{BTH}$ ). If a brown-out condition is detected, the system may generate a controller interrupt or a system reset.

Brown-out resets are controlled with the **Power-On and Brown-Out Reset Control (PBORCTL)** register. The  $BORIOR$  bit in the **PBORCTL** register must be set for a brown-out condition to trigger a reset.

The brown-out reset is equivalent to an assertion of the external  $\overline{RST}$  input and the reset is held active until the proper  $V_{DD}$  level is restored. The **RESC** register can be examined in the reset interrupt

handler to determine if a Brown-Out condition was the cause of the reset, thus allowing software to determine what actions are required to recover.

The internal Brown-Out Reset timing is shown in Figure 20-7 on page 480.

### 6.1.2.6 Software Reset

Software can reset a specific peripheral or generate a reset to the entire system .

Peripherals can be individually reset by software via three registers that control reset signals to each peripheral (see the **SRCRn** registers). If the bit position corresponding to a peripheral is set and subsequently cleared, the peripheral is reset. The encoding of the reset registers is consistent with the encoding of the clock gating control for peripherals and on-chip functions (see “System Control” on page 71). Note that all reset signals for all clocks of the specified unit are asserted as a result of a software-initiated reset.

The entire system can be reset by software by setting the SYSRESETREQ bit in the Cortex-M3 Application Interrupt and Reset Control register resets the entire system including the core. The software-initiated system reset sequence is as follows:

1. A software system reset is initiated by writing the SYSRESETREQ bit in the ARM Cortex-M3 Application Interrupt and Reset Control register.
2. An internal reset is asserted.
3. The internal reset is deasserted and the controller loads from memory the initial stack pointer, the initial program counter, and the first instruction designated by the program counter, and then begins execution.

The software-initiated system reset timing is shown in Figure 20-8 on page 480.

### 6.1.2.7 Watchdog Timer Reset

The watchdog timer module's function is to prevent system hangs. The watchdog timer can be configured to generate an interrupt to the controller on its first time-out, and to generate a reset signal on its second time-out.

After the first time-out event, the 32-bit counter is reloaded with the value of the **Watchdog Timer Load (WDTLOAD)** register, and the timer resumes counting down from that value. If the timer counts down to its zero state again before the first time-out interrupt is cleared, and the reset signal has been enabled, the watchdog timer asserts its reset signal to the system. The watchdog timer reset sequence is as follows:

1. The watchdog timer times out for the second time without being serviced.
2. An internal reset is asserted.
3. The internal reset is released and the controller loads from memory the initial stack pointer, the initial program counter, the first instruction designated by the program counter, and begins execution.

The watchdog reset timing is shown in Figure 20-9 on page 480.

### 6.1.3 Power Control

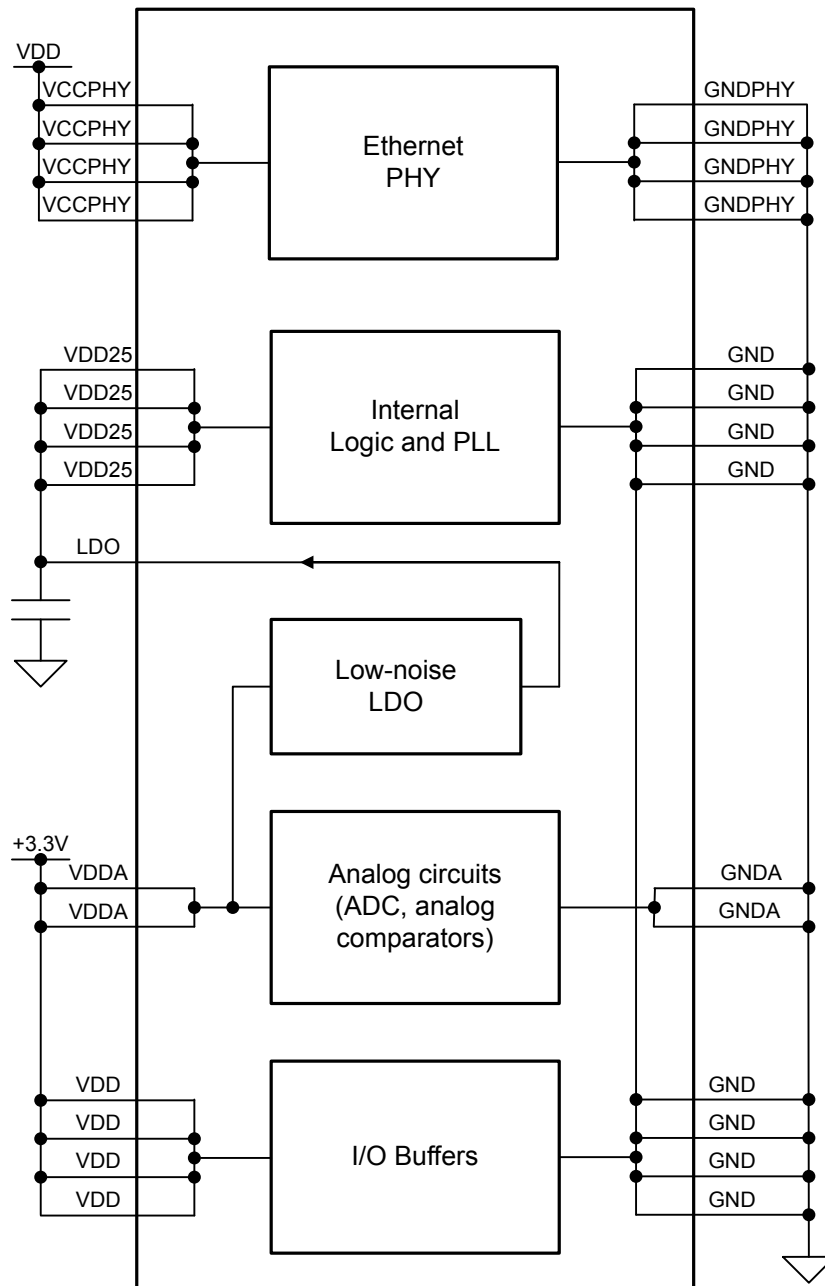
The Stellaris<sup>®</sup> microcontroller provides an integrated LDO regulator that may be used to provide power to the majority of the controller's internal logic. For power reduction, the LDO regulator provides

software a mechanism to adjust the regulated value, in small increments (VSTEP), over the range of 2.25 V to 2.75 V (inclusive)—or  $2.5\text{ V} \pm 10\%$ . The adjustment is made by changing the value of the  $V_{ADJ}$  field in the **LDO Power Control (LDOPCTL)** register.

Figure 6-4 on page 67 shows the power architecture.

**Note:** On the printed circuit board, use the LDO output as the source of  $V_{DD25}$  input. In addition, the LDO requires decoupling capacitors. See “On-Chip Low Drop-Out (LDO) Regulator Characteristics” on page 473.

**Figure 6-4. Power Architecture**



## 6.1.4 Clock Control

System control determines the control of clocks in this part.

### 6.1.4.1 Fundamental Clock Sources

There are multiple clock sources for use in the device:

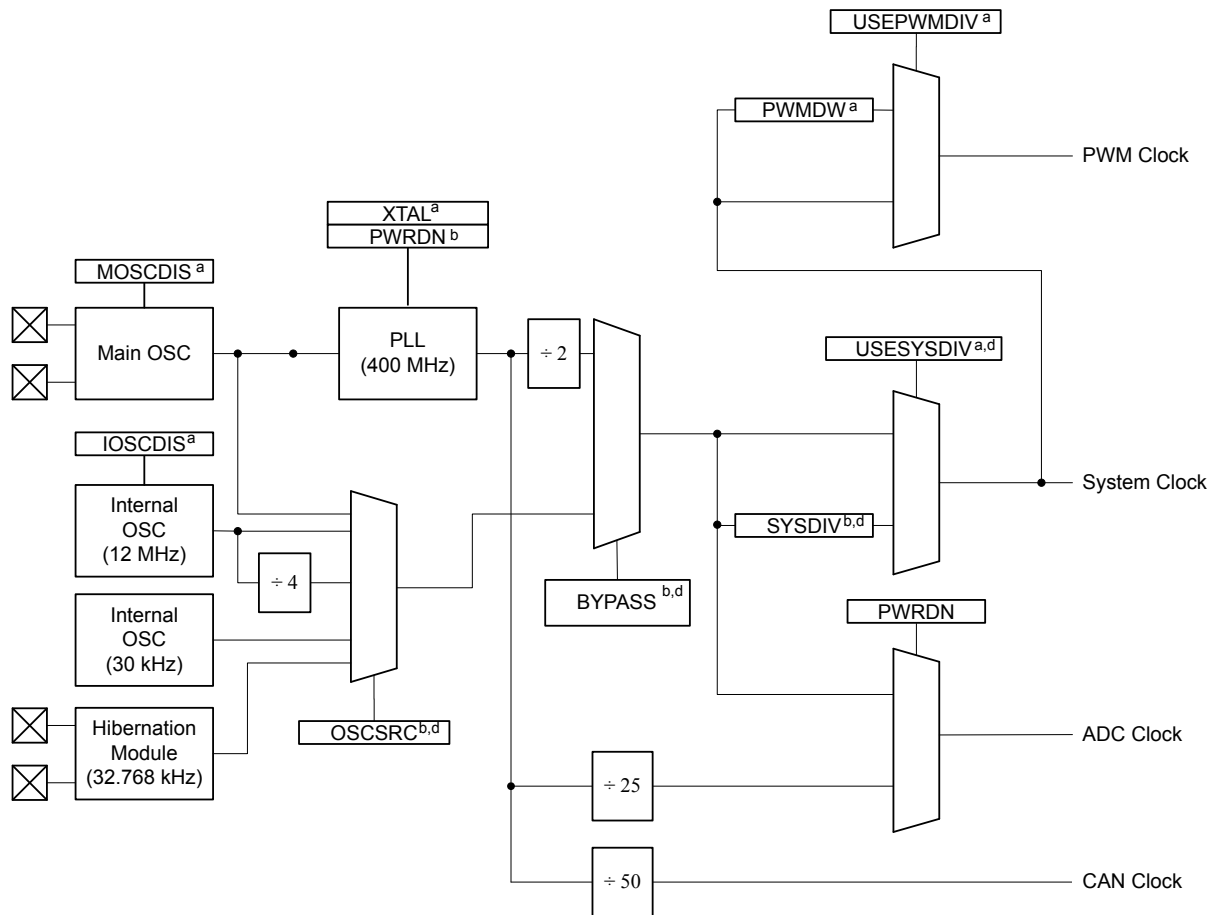
- **Internal Oscillator (IOSC).** The internal oscillator is an on-chip clock source. It does not require the use of any external components. The frequency of the internal oscillator is  $12\text{ MHz} \pm 30\%$ . Applications that do not depend on accurate clock sources may use this clock source to reduce system cost. The internal oscillator is the clock source the device uses during and following POR. If the main oscillator is required, software must enable the main oscillator following reset and allow the main oscillator to stabilize before changing the clock reference.
- **Main Oscillator (MOSC).** The main oscillator provides a frequency-accurate clock source by one of two means: an external single-ended clock source is connected to the `OSC0` input pin, or an external crystal is connected across the `OSC0` input and `OSC1` output pins. If the PLL is being used, the crystal value must be one of the supported frequencies between 3.579545 MHz through 8.192 MHz (inclusive). If the PLL is not being used, the crystal may be any one of the supported frequencies between 1 MHz and 8.192 MHz. The single-ended clock source range is from DC through the specified speed of the device. The supported crystals are listed in the `XTAL` bit field in the **RCC** register (see page 82).
- **Internal 30-kHz Oscillator.** The internal 30-kHz oscillator is similar to the internal oscillator, except that it provides an operational frequency of  $30\text{ kHz} \pm 50\%$ . It is intended for use during Deep-Sleep power-saving modes. This power-savings mode benefits from reduced internal switching and also allows the main oscillator to be powered down.
- **External Real-Time Oscillator.** The external real-time oscillator provides a low-frequency, accurate clock reference. It is intended to provide the system with a real-time clock source. The real-time oscillator is part of the Hibernation Module (see “Hibernation Module” on page 124) and may also provide an accurate source of Deep-Sleep or Hibernate mode power savings.

The internal system clock (SysClk), is derived from any of the above sources plus two others: the output of the main internal PLL, and the internal oscillator divided by four ( $3\text{ MHz} \pm 30\%$ ). The frequency of the PLL clock reference must be in the range of 3.579545 MHz to 8.192 MHz (inclusive).

The **Run-Mode Clock Configuration (RCC)** and **Run-Mode Clock Configuration 2 (RCC2)** registers provide control for the system clock. The **RCC2** register is provided to extend fields that offer additional encodings over the **RCC** register. When used, the **RCC2** register field values are used by the logic over the corresponding field in the **RCC** register. In particular, **RCC2** provides for a larger assortment of clock configuration options.

Figure 6-5 on page 69 shows the logic for the main clock tree. The peripheral blocks are driven by the system clock signal and can be individually enabled/disabled.

Figure 6-5. Main Clock Tree



- a. Control provided by RCC register bit/field.  
 b. Control provided by RCC register bit/field or RCC2 register bit/field, if overridden with RCC2 register bit USERCC2.  
 c. Control provided by RCC2 register bit/field.  
 d. Also may be controlled by DSLPCLKCFG when in deep sleep mode.

**Note:** The figure above shows all features available on all Stellaris® Fury-class devices.

#### 6.1.4.2 Crystal Configuration for the Main Oscillator (MOSC)

The main oscillator supports the use of a select number of crystals. If the main oscillator is used by the PLL as a reference clock, the supported range of crystals is 3.579545 to 8.192 MHz, otherwise, the range of supported crystals is 1 to 8.192 MHz.

The **XTAL** bit in the **RCC** register (see page 82) describes the available crystal choices and default programming values.

Software configures the **RCC** register **XTAL** field with the crystal number. If the PLL is used in the design, the **XTAL** field value is internally translated to the PLL settings.

### 6.1.4.3 Main PLL Frequency Configuration

The main PLL is disabled by default during power-on reset and is enabled later by software if required. Software specifies the output divisor to set the system clock frequency, and enables the main PLL to drive the output. The PLL operates at 400 MHz, but is divided by two prior to the application of the output divisor.

If the main oscillator provides the clock reference to the main PLL, the translation provided by hardware and used to program the PLL is available for software in the **XTAL to PLL Translation (PLLCFG)** register (see page 86). The internal translation provides a translation within  $\pm 1\%$  of the targeted PLL VCO frequency. Table 20-9 on page 476 shows the actual PLL frequency and error for a given crystal choice.

The Crystal Value field (`XTAL`) on page 82 describes the available crystal choices and default programming of the **PLLCFG** register. The crystal number is written into the `XTAL` field of the **Run-Mode Clock Configuration (RCC)** register. Any time the `XTAL` field changes, the new settings are translated and the internal PLL settings are updated.

To configure the external 32-kHz real-time oscillator as the PLL input reference, program the `OSCR2` field in the **Run-Mode Clock Configuration 2 (RCC2)** register to be 0x7.

### 6.1.4.4 PLL Modes

The PLL has two modes of operation: Normal and Power-Down

- Normal: The PLL multiplies the input clock reference and drives the output.
- Power-Down: Most of the PLL internal circuitry is disabled and the PLL does not drive the output.

The modes are programmed using the **RCC/RCC2** register fields (see page 82 and page 87).

### 6.1.4.5 PLL Operation

If a PLL configuration is changed, the PLL output frequency is unstable until it reconverges (relocks) to the new setting. The time between the configuration change and relock is  $T_{\text{READY}}$  (see Table 20-8 on page 476). During the relock time, the affected PLL is not usable as a clock reference.

The PLL is changed by one of the following:

- Change to the `XTAL` value in the **RCC** register—writes of the same value do not cause a relock.
- Change in the PLL from Power-Down to Normal mode.

A counter is defined to measure the  $T_{\text{READY}}$  requirement. The counter is clocked by the main oscillator. The range of the main oscillator has been taken into account and the down counter is set to 0x1200 (that is,  $\sim 600 \mu\text{s}$  at an 8.192 MHz external oscillator clock). Hardware is provided to keep the PLL from being used as a system clock until the  $T_{\text{READY}}$  condition is met after one of the two changes above. It is the user's responsibility to have a stable clock source (like the main oscillator) before the **RCC/RCC2** register is switched to use the PLL.

If the main PLL is enabled and the system clock is switched to use the PLL in one step, the system control hardware continues to clock the controller from the oscillator selected by the **RCC/RCC2** register until the main PLL is stable ( $T_{\text{READY}}$  time met), after which it changes to the PLL. Software can use many methods to ensure that the system is clocked from the main PLL, including periodically polling the `PLLRLIS` bit in the **Raw Interrupt Status (RIS)** register, and enabling the PLL Lock interrupt.

## 6.1.5 System Control

For power-savings purposes, the **RCGCn**, **SCGCn**, and **DCGCn** registers control the clock gating logic for each peripheral or block in the system while the controller is in Run, Sleep, and Deep-Sleep mode, respectively.

There are four levels of operation for the device defined as:

- **Run Mode.** In Run mode, the controller actively executes code. Run mode provides normal operation of the processor and all of the peripherals that are currently enabled by the **RCGCn** registers. The system clock can be any of the available clock sources including the PLL.
- **Sleep Mode.** In Sleep mode, the clock frequency of the active peripherals is unchanged, but the processor and the memory subsystem are not clocked and therefore no longer execute code. Sleep mode is entered by the Cortex-M3 core executing a **WFI**(Wait for Interrupt) instruction. Any properly configured interrupt event in the system will bring the processor back into Run mode. See the system control NVIC section of the *ARM® Cortex™-M3 Technical Reference Manual* for more details.

Peripherals are clocked that are enabled in the **SCGCn** register when auto-clock gating is enabled (see the **RCC** register) or the **RCGCn** register when the auto-clock gating is disabled. The system clock has the same source and frequency as that during Run mode.

- **Deep-Sleep Mode.** In Deep-Sleep mode, the clock frequency of the active peripherals may change (depending on the Run mode clock configuration) in addition to the processor clock being stopped. An interrupt returns the device to Run mode from one of the sleep modes; the sleep modes are entered on request from the code. Deep-Sleep mode is entered by first writing the Deep Sleep Enable bit in the ARM Cortex-M3 NVIC system control register and then executing a **WFI** instruction. Any properly configured interrupt event in the system will bring the processor back into Run mode. See the system control NVIC section of the *ARM® Cortex™-M3 Technical Reference Manual* for more details.

The Cortex-M3 processor core and the memory subsystem are not clocked. Peripherals are clocked that are enabled in the **DCGCn** register when auto-clock gating is enabled (see the **RCC** register) or the **RCGCn** register when auto-clock gating is disabled. The system clock source is the main oscillator by default or the internal oscillator specified in the **DSLPCCLKCFG** register if one is enabled. When the **DSLPCCLKCFG** register is used, the internal oscillator is powered up, if necessary, and the main oscillator is powered down. If the PLL is running at the time of the **WFI** instruction, hardware will power the PLL down and override the **SYSDIV** field of the active **RCC/RCC2** register, to be determined by the **DSDIVORIDE** setting in the **DSLPCCLKCFG** register, up to /16 or /64 respectively. When the Deep-Sleep exit event occurs, hardware brings the system clock back to the source and frequency it had at the onset of Deep-Sleep mode before enabling the clocks that had been stopped during the Deep-Sleep duration.

- **Hibernate Mode.** In this mode, the power supplies are turned off to the main part of the device and only the Hibernation module's circuitry is active. An external wake event or RTC event is required to bring the device back to Run mode. The Cortex-M3 processor and peripherals outside of the Hibernation module see a normal "power on" sequence and the processor starts running code. It can determine that it has been restarted from Hibernate mode by inspecting the Hibernation module registers.

**Caution** – If the Cortex-M3 Debug Access Port (DAP) has been enabled, and the device wakes from a low power sleep or deep-sleep mode, the core may start executing code before all clocks to peripherals have been restored to their run mode configuration. The DAP is usually enabled by software tools accessing the JTAG or SWD interface when debugging or flash programming. If this condition occurs, a Hard Fault is triggered when software accesses a peripheral with an invalid clock.

A software delay loop can be used at the beginning of the interrupt routine that is used to wake up a system from a WFI (Wait For Interrupt) instruction. This stalls the execution of any code that accesses a peripheral register that might cause a fault. This loop can be removed for production software as the DAP is most likely not enabled during normal execution.

Because the DAP is disabled by default (power on reset), the user can also power-cycle the device. The DAP is not enabled unless it is enabled through the JTAG or SWD interface.

## 6.2 Initialization and Configuration

The PLL is configured using direct register writes to the **RCC/RCC2** register. If the **RCC2** register is being used, the **USERCC2** bit must be set and the appropriate **RCC2** bit/field is used. The steps required to successfully change the PLL-based system clock are:

1. Bypass the PLL and system clock divider by setting the **BYPASS** bit and clearing the **USESYS** bit in the **RCC** register. This configures the system to run off a “raw” clock source and allows for the new PLL configuration to be validated before switching the system clock to the PLL.
2. Select the crystal value (**XTAL**) and oscillator source (**OSCSRC**), and clear the **PWRDN** bit in **RCC/RCC2**. Setting the **XTAL** field automatically pulls valid PLL configuration data for the appropriate crystal, and clearing the **PWRDN** bit powers and enables the PLL and its output.
3. Select the desired system divider (**SYSDIV**) in **RCC/RCC2** and set the **USESYS** bit in **RCC**. The **SYSDIV** field determines the system frequency for the microcontroller.
4. Wait for the PLL to lock by polling the **PLLLRIS** bit in the **Raw Interrupt Status (RIS)** register.
5. Enable use of the PLL by clearing the **BYPASS** bit in **RCC/RCC2**.

## 6.3 Register Map

Table 6-1 on page 72 lists the System Control registers, grouped by function. The offset listed is a hexadecimal increment to the register's address, relative to the System Control base address of 0x400F.E000.

**Note:** Spaces in the System Control register space that are not used are reserved for future or internal use. Software should not modify any reserved memory address.

**Table 6-1. System Control Register Map**

| Offset | Name | Type | Reset       | Description             | See page |
|--------|------|------|-------------|-------------------------|----------|
| 0x000  | DID0 | RO   | -           | Device Identification 0 | 74       |
| 0x004  | DID1 | RO   | -           | Device Identification 1 | 90       |
| 0x008  | DC0  | RO   | 0x00FF.007F | Device Capabilities 0   | 92       |
| 0x010  | DC1  | RO   | 0x0000.30DF | Device Capabilities 1   | 93       |



Table 6-1. System Control Register Map (continued)

| Offset | Name        | Type  | Reset       | Description                                     | See page |
|--------|-------------|-------|-------------|---|----------|
| 0x014  | DC2         | RO    | 0x030F.5037 | Device Capabilities 2                           | 95       |
| 0x018  | DC3         | RO    | 0xBF00.0FC0 | Device Capabilities 3                           | 97       |
| 0x01C  | DC4         | RO    | 0x5000.00FF | Device Capabilities 4                           | 99       |
| 0x030  | PBORCTL     | R/W   | 0x0000.7FFD | Brown-Out Reset Control                         | 76       |
| 0x034  | LDO PCTL    | R/W   | 0x0000.0000 | LDO Power Control                               | 77       |
| 0x040  | SRCR0       | R/W   | 0x00000000  | Software Reset Control 0                        | 119      |
| 0x044  | SRCR1       | R/W   | 0x00000000  | Software Reset Control 1                        | 120      |
| 0x048  | SRCR2       | R/W   | 0x00000000  | Software Reset Control 2                        | 122      |
| 0x050  | RIS         | RO    | 0x0000.0000 | Raw Interrupt Status                            | 78       |
| 0x054  | IMC         | R/W   | 0x0000.0000 | Interrupt Mask Control                          | 79       |
| 0x058  | MISC        | R/W1C | 0x0000.0000 | Masked Interrupt Status and Clear               | 80       |
| 0x05C  | RESC        | R/W   | -           | Reset Cause                                     | 81       |
| 0x060  | RCC         | R/W   | 0x0780.3AD1 | Run-Mode Clock Configuration                    | 82       |
| 0x064  | PLLCFG      | RO    | -           | XTAL to PLL Translation                         | 86       |
| 0x070  | RCC2        | R/W   | 0x0780.2810 | Run-Mode Clock Configuration 2                  | 87       |
| 0x100  | RCGC0       | R/W   | 0x00000040  | Run Mode Clock Gating Control Register 0        | 101      |
| 0x104  | RCGC1       | R/W   | 0x00000000  | Run Mode Clock Gating Control Register 1        | 104      |
| 0x108  | RCGC2       | R/W   | 0x00000000  | Run Mode Clock Gating Control Register 2        | 113      |
| 0x110  | SCGC0       | R/W   | 0x00000040  | Sleep Mode Clock Gating Control Register 0      | 102      |
| 0x114  | SCGC1       | R/W   | 0x00000000  | Sleep Mode Clock Gating Control Register 1      | 107      |
| 0x118  | SCGC2       | R/W   | 0x00000000  | Sleep Mode Clock Gating Control Register 2      | 115      |
| 0x120  | DCGC0       | R/W   | 0x00000040  | Deep Sleep Mode Clock Gating Control Register 0 | 103      |
| 0x124  | DCGC1       | R/W   | 0x00000000  | Deep Sleep Mode Clock Gating Control Register 1 | 110      |
| 0x128  | DCGC2       | R/W   | 0x00000000  | Deep Sleep Mode Clock Gating Control Register 2 | 117      |
| 0x144  | DSL PCLKCFG | R/W   | 0x0780.0000 | Deep Sleep Clock Configuration                  | 89       |

## 6.4 Register Descriptions

All addresses given are relative to the System Control base address of 0x400F.E000.

## Register 1: Device Identification 0 (DID0), offset 0x000

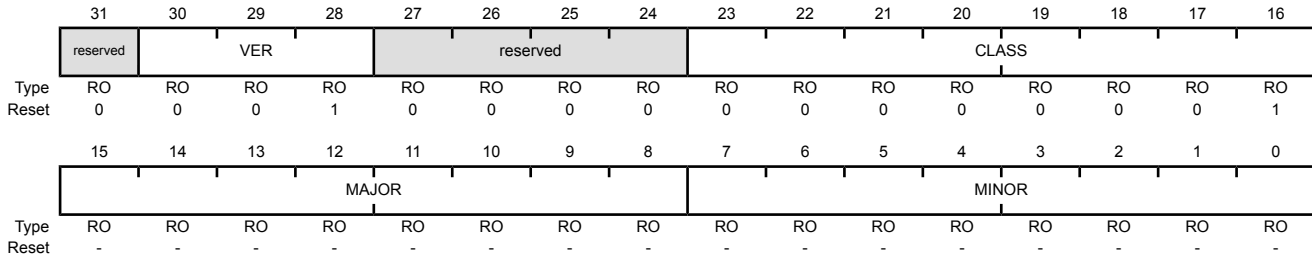
This register identifies the version of the device.

### Device Identification 0 (DID0)

Base 0x400F.E000

Offset 0x000

Type RO, reset -



| Bit/Field | Name   | Type | Reset | Description  |       |             |     |  |
|-----------|--|------|-------|--|-------|-------------|-----|--|
| 31        | reserved   | RO   | 0     | Software should not rely on the value of a reserved bit. To provide compatibility with future products, the value of a reserved bit should be preserved across a read-modify-write operation.  |       |             |     |  |
| 30:28     | VER  | RO   | 0x1   | <p>DID0 Version</p> <p>This field defines the <b>DID0</b> register format version. The version number is numeric. The value of the <code>VER</code> field is encoded as follows:</p> <table border="1"> <thead> <tr> <th>Value</th> <th>Description</th> </tr> </thead> <tbody> <tr> <td>0x1</td> <td>Second version of the <b>DID0</b> register format.</td> </tr> </tbody> </table>  | Value | Description | 0x1 | Second version of the <b>DID0</b> register format. |
| Value     | Description  |      |       |  |       |             |     |  |
| 0x1       | Second version of the <b>DID0</b> register format. |      |       |  |       |             |     |  |
| 27:24     | reserved   | RO   | 0x0   | Software should not rely on the value of a reserved bit. To provide compatibility with future products, the value of a reserved bit should be preserved across a read-modify-write operation.  |       |             |     |  |
| 23:16     | CLASS  | RO   | 0x1   | <p>Device Class</p> <p>The <code>CLASS</code> field value identifies the internal design from which all mask sets are generated for all devices in a particular product line. The <code>CLASS</code> field value is changed for new product lines, for changes in fab process (for example, a remap or shrink), or any case where the <code>MAJOR</code> or <code>MINOR</code> fields require differentiation from prior devices. The value of the <code>CLASS</code> field is encoded as follows (all other encodings are reserved):</p> <table border="1"> <thead> <tr> <th>Value</th> <th>Description</th> </tr> </thead> <tbody> <tr> <td>0x1</td> <td>Stellaris® Fury-class devices.</td> </tr> </tbody> </table> | Value | Description | 0x1 | Stellaris® Fury-class devices.                     |
| Value     | Description  |      |       |  |       |             |     |  |
| 0x1       | Stellaris® Fury-class devices.                     |      |       |  |       |             |     |  |

| Bit/Field | Name  | Type | Reset | Description  |       |             |     |   |     |  |     |   |
|-----------|---|------|-------|--|-------|-------------|-----|---|-----|--|-----|---|
| 15:8      | MAJOR                                       | RO   | -     | <p>Major Revision</p> <p>This field specifies the major revision number of the device. The major revision reflects changes to base layers of the design. The major revision number is indicated in the part number as a letter (A for first revision, B for second, and so on). This field is encoded as follows:</p> <table><thead><tr><th>Value</th><th>Description</th></tr></thead><tbody><tr><td>0x0</td><td>Revision A (initial device)</td></tr><tr><td>0x1</td><td>Revision B (first base layer revision)</td></tr><tr><td>0x2</td><td>Revision C (second base layer revision)</td></tr></tbody></table> <p>and so on.</p> | Value | Description | 0x0 | Revision A (initial device)                 | 0x1 | Revision B (first base layer revision) | 0x2 | Revision C (second base layer revision) |
| Value     | Description                                 |      |       |  |       |             |     |   |     |  |     |   |
| 0x0       | Revision A (initial device)                 |      |       |  |       |             |     |   |     |  |     |   |
| 0x1       | Revision B (first base layer revision)      |      |       |  |       |             |     |   |     |  |     |   |
| 0x2       | Revision C (second base layer revision)     |      |       |  |       |             |     |   |     |  |     |   |
| 7:0       | MINOR                                       | RO   | -     | <p>Minor Revision</p> <p>This field specifies the minor revision number of the device. The minor revision reflects changes to the metal layers of the design. The <code>MINOR</code> field value is reset when the <code>MAJOR</code> field is changed. This field is numeric and is encoded as follows:</p> <table><thead><tr><th>Value</th><th>Description</th></tr></thead><tbody><tr><td>0x0</td><td>Initial device, or a major revision update.</td></tr><tr><td>0x1</td><td>First metal layer change.</td></tr><tr><td>0x2</td><td>Second metal layer change.</td></tr></tbody></table> <p>and so on.</p>                    | Value | Description | 0x0 | Initial device, or a major revision update. | 0x1 | First metal layer change.              | 0x2 | Second metal layer change.              |
| Value     | Description                                 |      |       |  |       |             |     |   |     |  |     |   |
| 0x0       | Initial device, or a major revision update. |      |       |  |       |             |     |   |     |  |     |   |
| 0x1       | First metal layer change.                   |      |       |  |       |             |     |   |     |  |     |   |
| 0x2       | Second metal layer change.                  |      |       |  |       |             |     |   |     |  |     |   |

## Register 2: Brown-Out Reset Control (PBORCTL), offset 0x030

This register is responsible for controlling reset conditions after initial power-on reset.

### Brown-Out Reset Control (PBORCTL)

Base 0x400F.E000

Offset 0x030

Type R/W, reset 0x0000.7FFD

|       |          |    |    |    |    |    |    |    |    |    |    |    |    |    |    |        |          |
|-------|----------|----|----|----|----|----|----|----|----|----|----|----|----|----|----|--------|----------|
|       | 31       | 30 | 29 | 28 | 27 | 26 | 25 | 24 | 23 | 22 | 21 | 20 | 19 | 18 | 17 | 16     |          |
|       | reserved |    |    |    |    |    |    |    |    |    |    |    |    |    |    |        |          |
| Type  | RO       | RO | RO | RO | RO | RO | RO | RO | RO | RO | RO | RO | RO | RO | RO | RO     |          |
| Reset | 0        | 0  | 0  | 0  | 0  | 0  | 0  | 0  | 0  | 0  | 0  | 0  | 0  | 0  | 0  | 0      |          |
|       | 15       | 14 | 13 | 12 | 11 | 10 | 9  | 8  | 7  | 6  | 5  | 4  | 3  | 2  | 1  | 0      |          |
|       | reserved |    |    |    |    |    |    |    |    |    |    |    |    |    |    | BORIOR | reserved |
| Type  | RO       | RO | RO | RO | RO | RO | RO | RO | RO | RO | RO | RO | RO | RO | RO | R/W    | RO       |
| Reset | 0        | 0  | 0  | 0  | 0  | 0  | 0  | 0  | 0  | 0  | 0  | 0  | 0  | 0  | 0  | 0      | 0        |

| Bit/Field | Name     | Type | Reset | Description   |
|-----------|----------|------|-------|---|
| 31:2      | reserved | RO   | 0x0   | Software should not rely on the value of a reserved bit. To provide compatibility with future products, the value of a reserved bit should be preserved across a read-modify-write operation. |
| 1         | BORIOR   | R/W  | 0     | BOR Interrupt or Reset<br><br>This bit controls how a BOR event is signaled to the controller. If set, a reset is signaled. Otherwise, an interrupt is signaled.                              |
| 0         | reserved | RO   | 0     | Software should not rely on the value of a reserved bit. To provide compatibility with future products, the value of a reserved bit should be preserved across a read-modify-write operation. |

**Register 3: LDO Power Control (LDOPCTL), offset 0x034**

The V<sub>ADJ</sub> field in this register adjusts the on-chip output voltage (V<sub>OUT</sub>).

**LDO Power Control (LDOPCTL)**

Base 0x400F.E000

Offset 0x034

Type R/W, reset 0x0000.0000

|       |          |    |    |    |    |    |    |    |    |    |                  |     |     |     |     |     |
|-------|----------|----|----|----|----|----|----|----|----|----|------------------|-----|-----|-----|-----|-----|
|       | 31       | 30 | 29 | 28 | 27 | 26 | 25 | 24 | 23 | 22 | 21               | 20  | 19  | 18  | 17  | 16  |
|       | reserved |    |    |    |    |    |    |    |    |    |                  |     |     |     |     |     |
| Type  | RO       | RO | RO | RO | RO | RO | RO | RO | RO | RO | RO               | RO  | RO  | RO  | RO  | RO  |
| Reset | 0        | 0  | 0  | 0  | 0  | 0  | 0  | 0  | 0  | 0  | 0                | 0   | 0   | 0   | 0   | 0   |
|       | 15       | 14 | 13 | 12 | 11 | 10 | 9  | 8  | 7  | 6  | 5                | 4   | 3   | 2   | 1   | 0   |
|       | reserved |    |    |    |    |    |    |    |    |    | V <sub>ADJ</sub> |     |     |     |     |     |
| Type  | RO       | RO | RO | RO | RO | RO | RO | RO | RO | RO | R/W              | R/W | R/W | R/W | R/W | R/W |
| Reset | 0        | 0  | 0  | 0  | 0  | 0  | 0  | 0  | 0  | 0  | 0                | 0   | 0   | 0   | 0   | 0   |

| Bit/Field | Name     | Type | Reset | Description   |
|-----------|----------|------|-------|---|
| 31:6      | reserved | RO   | 0     | Software should not rely on the value of a reserved bit. To provide compatibility with future products, the value of a reserved bit should be preserved across a read-modify-write operation. |

|     |                  |     |     |   |
|-----|------------------|-----|-----|---|
| 5:0 | V <sub>ADJ</sub> | R/W | 0x0 | LDO Output Voltage<br>This field sets the on-chip output voltage. The programming values for the V <sub>ADJ</sub> field are provided below. |
|-----|------------------|-----|-----|---|

| Value     | V <sub>OUT</sub> (V) |
|-----------|----------------------|
| 0x00      | 2.50                 |
| 0x01      | 2.45                 |
| 0x02      | 2.40                 |
| 0x03      | 2.35                 |
| 0x04      | 2.30                 |
| 0x05      | 2.25                 |
| 0x06-0x3F | Reserved             |
| 0x1B      | 2.75                 |
| 0x1C      | 2.70                 |
| 0x1D      | 2.65                 |
| 0x1E      | 2.60                 |
| 0x1F      | 2.55                 |

## Register 4: Raw Interrupt Status (RIS), offset 0x050

Central location for system control raw interrupts. These are set and cleared by hardware.

### Raw Interrupt Status (RIS)

Base 0x400F.E000  
 Offset 0x050  
 Type RO, reset 0x0000.0000

|       |          |    |    |    |    |    |    |    |    |    |         |          |    |    |    |        |          |
|-------|----------|----|----|----|----|----|----|----|----|----|---------|----------|----|----|----|--------|----------|
|       | 31       | 30 | 29 | 28 | 27 | 26 | 25 | 24 | 23 | 22 | 21      | 20       | 19 | 18 | 17 | 16     |          |
|       | reserved |    |    |    |    |    |    |    |    |    |         |          |    |    |    |        |          |
| Type  | RO       | RO | RO | RO | RO | RO | RO | RO | RO | RO | RO      | RO       | RO | RO | RO | RO     |          |
| Reset | 0        | 0  | 0  | 0  | 0  | 0  | 0  | 0  | 0  | 0  | 0       | 0        | 0  | 0  | 0  | 0      |          |
|       | 15       | 14 | 13 | 12 | 11 | 10 | 9  | 8  | 7  | 6  | 5       | 4        | 3  | 2  | 1  | 0      |          |
|       | reserved |    |    |    |    |    |    |    |    |    | PLLLRIS | reserved |    |    |    | BORRIS | reserved |
| Type  | RO       | RO | RO | RO | RO | RO | RO | RO | RO | RO | RO      | RO       | RO | RO | RO | RO     |          |
| Reset | 0        | 0  | 0  | 0  | 0  | 0  | 0  | 0  | 0  | 0  | 0       | 0        | 0  | 0  | 0  | 0      |          |

| Bit/Field | Name     | Type | Reset | Description  |
|-----------|----------|------|-------|--|
| 31:7      | reserved | RO   | 0     | Software should not rely on the value of a reserved bit. To provide compatibility with future products, the value of a reserved bit should be preserved across a read-modify-write operation.  |
| 6         | PLLLRIS  | RO   | 0     | PLL Lock Raw Interrupt Status<br><br>This bit is set when the PLL T <sub>READY</sub> Timer asserts.  |
| 5:2       | reserved | RO   | 0     | Software should not rely on the value of a reserved bit. To provide compatibility with future products, the value of a reserved bit should be preserved across a read-modify-write operation.  |
| 1         | BORRIS   | RO   | 0     | Brown-Out Reset Raw Interrupt Status<br><br>This bit is the raw interrupt status for any brown-out conditions. If set, a brown-out condition is currently active. This is an unregistered signal from the brown-out detection circuit. An interrupt is reported if the BORIM bit in the <b>IMC</b> register is set and the BORIOR bit in the <b>PBORCTL</b> register is cleared. |
| 0         | reserved | RO   | 0     | Software should not rely on the value of a reserved bit. To provide compatibility with future products, the value of a reserved bit should be preserved across a read-modify-write operation.  |

**Register 5: Interrupt Mask Control (IMC), offset 0x054**

Central location for system control interrupt masks.

## Interrupt Mask Control (IMC)

Base 0x400F.E000

Offset 0x054

Type R/W, reset 0x0000.0000

|       |          |    |    |    |    |    |    |    |    |    |        |          |    |    |    |       |          |
|-------|----------|----|----|----|----|----|----|----|----|----|--------|----------|----|----|----|-------|----------|
|       | 31       | 30 | 29 | 28 | 27 | 26 | 25 | 24 | 23 | 22 | 21     | 20       | 19 | 18 | 17 | 16    |          |
|       | reserved |    |    |    |    |    |    |    |    |    |        |          |    |    |    |       |          |
| Type  | RO       | RO | RO | RO | RO | RO | RO | RO | RO | RO | RO     | RO       | RO | RO | RO | RO    |          |
| Reset | 0        | 0  | 0  | 0  | 0  | 0  | 0  | 0  | 0  | 0  | 0      | 0        | 0  | 0  | 0  | 0     |          |
|       | 15       | 14 | 13 | 12 | 11 | 10 | 9  | 8  | 7  | 6  | 5      | 4        | 3  | 2  | 1  | 0     |          |
|       | reserved |    |    |    |    |    |    |    |    |    | PLLLIM | reserved |    |    |    | BORIM | reserved |
| Type  | RO       | RO | RO | RO | RO | RO | RO | RO | RO | RO | R/W    | RO       | RO | RO | RO | RO    |          |
| Reset | 0        | 0  | 0  | 0  | 0  | 0  | 0  | 0  | 0  | 0  | 0      | 0        | 0  | 0  | 0  | 0     |          |

| Bit/Field | Name     | Type | Reset | Description   |
|-----------|----------|------|-------|---|
| 31:7      | reserved | RO   | 0     | Software should not rely on the value of a reserved bit. To provide compatibility with future products, the value of a reserved bit should be preserved across a read-modify-write operation.   |
| 6         | PLLLIM   | R/W  | 0     | PLL Lock Interrupt Mask<br><br>This bit specifies whether a PLL Lock interrupt is promoted to a controller interrupt. If set, an interrupt is generated if <code>PLLLRIS</code> in <b>RIS</b> is set; otherwise, an interrupt is not generated. |
| 5:2       | reserved | RO   | 0     | Software should not rely on the value of a reserved bit. To provide compatibility with future products, the value of a reserved bit should be preserved across a read-modify-write operation.   |
| 1         | BORIM    | R/W  | 0     | Brown-Out Reset Interrupt Mask<br><br>This bit specifies whether a brown-out condition is promoted to a controller interrupt. If set, an interrupt is generated if <code>BORRIS</code> is set; otherwise, an interrupt is not generated.        |
| 0         | reserved | RO   | 0     | Software should not rely on the value of a reserved bit. To provide compatibility with future products, the value of a reserved bit should be preserved across a read-modify-write operation.   |

### Register 6: Masked Interrupt Status and Clear (MISC), offset 0x058

On a read, this register gives the current masked status value of the corresponding interrupt. All of the bits are R/W1C and this action also clears the corresponding raw interrupt bit in the **RIS** register (see page 78).

#### Masked Interrupt Status and Clear (MISC)

Base 0x400F.E000  
 Offset 0x058  
 Type R/W1C, reset 0x0000.0000

|       |          |    |    |    |    |    |    |    |    |    |         |          |    |    |    |        |          |
|-------|----------|----|----|----|----|----|----|----|----|----|---------|----------|----|----|----|--------|----------|
|       | 31       | 30 | 29 | 28 | 27 | 26 | 25 | 24 | 23 | 22 | 21      | 20       | 19 | 18 | 17 | 16     |          |
|       | reserved |    |    |    |    |    |    |    |    |    |         |          |    |    |    |        |          |
| Type  | RO       | RO | RO | RO | RO | RO | RO | RO | RO | RO | RO      | RO       | RO | RO | RO | RO     |          |
| Reset | 0        | 0  | 0  | 0  | 0  | 0  | 0  | 0  | 0  | 0  | 0       | 0        | 0  | 0  | 0  | 0      |          |
|       | 15       | 14 | 13 | 12 | 11 | 10 | 9  | 8  | 7  | 6  | 5       | 4        | 3  | 2  | 1  | 0      |          |
|       | reserved |    |    |    |    |    |    |    |    |    | PLLLMIS | reserved |    |    |    | BORMIS | reserved |
| Type  | RO       | RO | RO | RO | RO | RO | RO | RO | RO | RO | R/W1C   | RO       | RO | RO | RO | RO     |          |
| Reset | 0        | 0  | 0  | 0  | 0  | 0  | 0  | 0  | 0  | 0  | 0       | 0        | 0  | 0  | 0  | 0      |          |

| Bit/Field | Name     | Type  | Reset | Description   |
|-----------|----------|-------|-------|---|
| 31:7      | reserved | RO    | 0     | Software should not rely on the value of a reserved bit. To provide compatibility with future products, the value of a reserved bit should be preserved across a read-modify-write operation. |
| 6         | PLLLMIS  | R/W1C | 0     | PLL Lock Masked Interrupt Status<br><br>This bit is set when the PLL T <sub>READY</sub> timer asserts. The interrupt is cleared by writing a 1 to this bit.                                   |
| 5:2       | reserved | RO    | 0     | Software should not rely on the value of a reserved bit. To provide compatibility with future products, the value of a reserved bit should be preserved across a read-modify-write operation. |
| 1         | BORMIS   | R/W1C | 0     | BOR Masked Interrupt Status<br><br>The BORMIS is simply the BORRIS ANDed with the mask value, BORIM.  |
| 0         | reserved | RO    | 0     | Software should not rely on the value of a reserved bit. To provide compatibility with future products, the value of a reserved bit should be preserved across a read-modify-write operation. |



## Register 7: Reset Cause (RESC), offset 0x05C

This register is set with the reset cause after reset. The bits in this register are sticky and maintain their state across multiple reset sequences, except when an power-on reset is the cause, in which case, all bits other than POR in the **RESC** register are cleared.

### Reset Cause (RESC)

Base 0x400F.E000

Offset 0x05C

Type R/W, reset -

|       |          |    |    |    |    |    |    |    |    |    |    |    |     |     |     |     |     |
|-------|----------|----|----|----|----|----|----|----|----|----|----|----|-----|-----|-----|-----|-----|
|       | 31       | 30 | 29 | 28 | 27 | 26 | 25 | 24 | 23 | 22 | 21 | 20 | 19  | 18  | 17  | 16  |     |
|       | reserved |    |    |    |    |    |    |    |    |    |    |    |     |     |     |     |     |
| Type  | RO       | RO | RO | RO | RO | RO | RO | RO | RO | RO | RO | RO | RO  | RO  | RO  | RO  |     |
| Reset | 0        | 0  | 0  | 0  | 0  | 0  | 0  | 0  | 0  | 0  | 0  | 0  | 0   | 0   | 0   | 0   |     |
|       | 15       | 14 | 13 | 12 | 11 | 10 | 9  | 8  | 7  | 6  | 5  | 4  | 3   | 2   | 1   | 0   |     |
|       | reserved |    |    |    |    |    |    |    |    |    |    |    | SW  | WDT | BOR | POR | EXT |
| Type  | RO       | RO | RO | RO | RO | RO | RO | RO | RO | RO | RO | RO | R/W | R/W | R/W | R/W | R/W |
| Reset | 0        | 0  | 0  | 0  | 0  | 0  | 0  | 0  | 0  | 0  | 0  | 0  | -   | -   | -   | -   | -   |

| Bit/Field | Name     | Type | Reset | Description   |
|-----------|----------|------|-------|---|
| 31:5      | reserved | RO   | 0     | Software should not rely on the value of a reserved bit. To provide compatibility with future products, the value of a reserved bit should be preserved across a read-modify-write operation. |
| 4         | SW       | R/W  | -     | Software Reset<br>When set, indicates a software reset is the cause of the reset event.   |
| 3         | WDT      | R/W  | -     | Watchdog Timer Reset<br>When set, indicates a watchdog reset is the cause of the reset event.   |
| 2         | BOR      | R/W  | -     | Brown-Out Reset<br>When set, indicates a brown-out reset is the cause of the reset event.   |
| 1         | POR      | R/W  | -     | Power-On Reset<br>When set, indicates a power-on reset is the cause of the reset event.   |
| 0         | EXT      | R/W  | -     | External Reset<br>When set, indicates an external reset ( $\overline{RST}$ assertion) is the cause of the reset event.  |

## Register 8: Run-Mode Clock Configuration (RCC), offset 0x060

This register is defined to provide source control and frequency speed.

### Run-Mode Clock Configuration (RCC)

Base 0x400F.E000

Offset 0x060

Type R/W, reset 0x0780.3AD1

|       |          |    |       |          |        |          |      |     |     |           |          |     |          |    |         |         |
|-------|----------|----|-------|----------|--------|----------|------|-----|-----|-----------|----------|-----|----------|----|---------|---------|
|       | 31       | 30 | 29    | 28       | 27     | 26       | 25   | 24  | 23  | 22        | 21       | 20  | 19       | 18 | 17      | 16      |
|       | reserved |    |       |          | ACG    | SYSDIV   |      |     |     | USESYSDIV | reserved |     |          |    |         |         |
| Type  | RO       | RO | RO    | RO       | R/W    | R/W      | R/W  | R/W | R/W | R/W       | RO       | RO  | RO       | RO | RO      | RO      |
| Reset | 0        | 0  | 0     | 0        | 0      | 1        | 1    | 1   | 1   | 0         | 0        | 0   | 0        | 0  | 0       | 0       |
|       | 15       | 14 | 13    | 12       | 11     | 10       | 9    | 8   | 7   | 6         | 5        | 4   | 3        | 2  | 1       | 0       |
|       | reserved |    | PWRDN | reserved | BYPASS | reserved | XTAL |     |     |           | OSCSRC   |     | reserved |    | IOSCDIS | MOSCDIS |
| Type  | RO       | RO | R/W   | RO       | R/W    | RO       | R/W  | R/W | R/W | R/W       | R/W      | R/W | RO       | RO | R/W     | R/W     |
| Reset | 0        | 0  | 1     | 1        | 1      | 0        | 1    | 0   | 1   | 1         | 0        | 1   | 0        | 0  | 0       | 1       |

| Bit/Field | Name     | Type | Reset | Description   |
|-----------|----------|------|-------|---|
| 31:28     | reserved | RO   | 0x0   | Software should not rely on the value of a reserved bit. To provide compatibility with future products, the value of a reserved bit should be preserved across a read-modify-write operation. |
| 27        | ACG      | R/W  | 0     | Auto Clock Gating   |

This bit specifies whether the system uses the **Sleep-Mode Clock Gating Control (SCGCn)** registers and **Deep-Sleep-Mode Clock Gating Control (DCGCn)** registers if the controller enters a Sleep or Deep-Sleep mode (respectively). If set, the **SCGCn** or **DCGCn** registers are used to control the clocks distributed to the peripherals when the controller is in a sleep mode. Otherwise, the **Run-Mode Clock Gating Control (RCGCn)** registers are used when the controller enters a sleep mode.

The **RCGCn** registers are always used to control the clocks in Run mode.

This allows peripherals to consume less power when the controller is in a sleep mode and the peripheral is unused.

| Bit/Field | Name               | Type                 | Reset | Description  |       |                    |                      |     |          |          |     |    |          |     |    |          |     |    |        |     |    |        |     |    |           |     |    |           |     |    |        |     |    |           |     |     |        |     |     |           |     |     |           |     |     |           |     |     |           |     |     |           |     |     |                    |
|-----------|--------------------|----------------------|-------|--|-------|--------------------|----------------------|-----|----------|----------|-----|----|----------|-----|----|----------|-----|----|--------|-----|----|--------|-----|----|-----------|-----|----|-----------|-----|----|--------|-----|----|-----------|-----|-----|--------|-----|-----|-----------|-----|-----|-----------|-----|-----|-----------|-----|-----|-----------|-----|-----|-----------|-----|-----|--------------------|
| 26:23     | SYSDIV             | R/W                  | 0xF   | <p>System Clock Divisor</p> <p>Specifies which divisor is used to generate the system clock from the PLL output.</p> <p>Although the PLL VCO frequency is 400 MHz, it is predivided by 2 before the divisor is applied.</p> <table border="1"> <thead> <tr> <th>Value</th> <th>Divisor (BYPASS=1)</th> <th>Frequency (BYPASS=0)</th> </tr> </thead> <tbody> <tr><td>0x0</td><td>reserved</td><td>reserved</td></tr> <tr><td>0x1</td><td>/2</td><td>reserved</td></tr> <tr><td>0x2</td><td>/3</td><td>reserved</td></tr> <tr><td>0x3</td><td>/4</td><td>50 MHz</td></tr> <tr><td>0x4</td><td>/5</td><td>40 MHz</td></tr> <tr><td>0x5</td><td>/6</td><td>33.33 MHz</td></tr> <tr><td>0x6</td><td>/7</td><td>28.57 MHz</td></tr> <tr><td>0x7</td><td>/8</td><td>25 MHz</td></tr> <tr><td>0x8</td><td>/9</td><td>22.22 MHz</td></tr> <tr><td>0x9</td><td>/10</td><td>20 MHz</td></tr> <tr><td>0xA</td><td>/11</td><td>18.18 MHz</td></tr> <tr><td>0xB</td><td>/12</td><td>16.67 MHz</td></tr> <tr><td>0xC</td><td>/13</td><td>15.38 MHz</td></tr> <tr><td>0xD</td><td>/14</td><td>14.29 MHz</td></tr> <tr><td>0xE</td><td>/15</td><td>13.33 MHz</td></tr> <tr><td>0xF</td><td>/16</td><td>12.5 MHz (default)</td></tr> </tbody> </table> <p>When reading the <b>Run-Mode Clock Configuration (RCC)</b> register (see page 82), the SYSDIV value is MINSYSDIV if a lower divisor was requested and the PLL is being used. This lower value is allowed to divide a non-PLL source.</p> | Value | Divisor (BYPASS=1) | Frequency (BYPASS=0) | 0x0 | reserved | reserved | 0x1 | /2 | reserved | 0x2 | /3 | reserved | 0x3 | /4 | 50 MHz | 0x4 | /5 | 40 MHz | 0x5 | /6 | 33.33 MHz | 0x6 | /7 | 28.57 MHz | 0x7 | /8 | 25 MHz | 0x8 | /9 | 22.22 MHz | 0x9 | /10 | 20 MHz | 0xA | /11 | 18.18 MHz | 0xB | /12 | 16.67 MHz | 0xC | /13 | 15.38 MHz | 0xD | /14 | 14.29 MHz | 0xE | /15 | 13.33 MHz | 0xF | /16 | 12.5 MHz (default) |
| Value     | Divisor (BYPASS=1) | Frequency (BYPASS=0) |       |  |       |                    |                      |     |          |          |     |    |          |     |    |          |     |    |        |     |    |        |     |    |           |     |    |           |     |    |        |     |    |           |     |     |        |     |     |           |     |     |           |     |     |           |     |     |           |     |     |           |     |     |                    |
| 0x0       | reserved           | reserved             |       |  |       |                    |                      |     |          |          |     |    |          |     |    |          |     |    |        |     |    |        |     |    |           |     |    |           |     |    |        |     |    |           |     |     |        |     |     |           |     |     |           |     |     |           |     |     |           |     |     |           |     |     |                    |
| 0x1       | /2                 | reserved             |       |  |       |                    |                      |     |          |          |     |    |          |     |    |          |     |    |        |     |    |        |     |    |           |     |    |           |     |    |        |     |    |           |     |     |        |     |     |           |     |     |           |     |     |           |     |     |           |     |     |           |     |     |                    |
| 0x2       | /3                 | reserved             |       |  |       |                    |                      |     |          |          |     |    |          |     |    |          |     |    |        |     |    |        |     |    |           |     |    |           |     |    |        |     |    |           |     |     |        |     |     |           |     |     |           |     |     |           |     |     |           |     |     |           |     |     |                    |
| 0x3       | /4                 | 50 MHz               |       |  |       |                    |                      |     |          |          |     |    |          |     |    |          |     |    |        |     |    |        |     |    |           |     |    |           |     |    |        |     |    |           |     |     |        |     |     |           |     |     |           |     |     |           |     |     |           |     |     |           |     |     |                    |
| 0x4       | /5                 | 40 MHz               |       |  |       |                    |                      |     |          |          |     |    |          |     |    |          |     |    |        |     |    |        |     |    |           |     |    |           |     |    |        |     |    |           |     |     |        |     |     |           |     |     |           |     |     |           |     |     |           |     |     |           |     |     |                    |
| 0x5       | /6                 | 33.33 MHz            |       |  |       |                    |                      |     |          |          |     |    |          |     |    |          |     |    |        |     |    |        |     |    |           |     |    |           |     |    |        |     |    |           |     |     |        |     |     |           |     |     |           |     |     |           |     |     |           |     |     |           |     |     |                    |
| 0x6       | /7                 | 28.57 MHz            |       |  |       |                    |                      |     |          |          |     |    |          |     |    |          |     |    |        |     |    |        |     |    |           |     |    |           |     |    |        |     |    |           |     |     |        |     |     |           |     |     |           |     |     |           |     |     |           |     |     |           |     |     |                    |
| 0x7       | /8                 | 25 MHz               |       |  |       |                    |                      |     |          |          |     |    |          |     |    |          |     |    |        |     |    |        |     |    |           |     |    |           |     |    |        |     |    |           |     |     |        |     |     |           |     |     |           |     |     |           |     |     |           |     |     |           |     |     |                    |
| 0x8       | /9                 | 22.22 MHz            |       |  |       |                    |                      |     |          |          |     |    |          |     |    |          |     |    |        |     |    |        |     |    |           |     |    |           |     |    |        |     |    |           |     |     |        |     |     |           |     |     |           |     |     |           |     |     |           |     |     |           |     |     |                    |
| 0x9       | /10                | 20 MHz               |       |  |       |                    |                      |     |          |          |     |    |          |     |    |          |     |    |        |     |    |        |     |    |           |     |    |           |     |    |        |     |    |           |     |     |        |     |     |           |     |     |           |     |     |           |     |     |           |     |     |           |     |     |                    |
| 0xA       | /11                | 18.18 MHz            |       |  |       |                    |                      |     |          |          |     |    |          |     |    |          |     |    |        |     |    |        |     |    |           |     |    |           |     |    |        |     |    |           |     |     |        |     |     |           |     |     |           |     |     |           |     |     |           |     |     |           |     |     |                    |
| 0xB       | /12                | 16.67 MHz            |       |  |       |                    |                      |     |          |          |     |    |          |     |    |          |     |    |        |     |    |        |     |    |           |     |    |           |     |    |        |     |    |           |     |     |        |     |     |           |     |     |           |     |     |           |     |     |           |     |     |           |     |     |                    |
| 0xC       | /13                | 15.38 MHz            |       |  |       |                    |                      |     |          |          |     |    |          |     |    |          |     |    |        |     |    |        |     |    |           |     |    |           |     |    |        |     |    |           |     |     |        |     |     |           |     |     |           |     |     |           |     |     |           |     |     |           |     |     |                    |
| 0xD       | /14                | 14.29 MHz            |       |  |       |                    |                      |     |          |          |     |    |          |     |    |          |     |    |        |     |    |        |     |    |           |     |    |           |     |    |        |     |    |           |     |     |        |     |     |           |     |     |           |     |     |           |     |     |           |     |     |           |     |     |                    |
| 0xE       | /15                | 13.33 MHz            |       |  |       |                    |                      |     |          |          |     |    |          |     |    |          |     |    |        |     |    |        |     |    |           |     |    |           |     |    |        |     |    |           |     |     |        |     |     |           |     |     |           |     |     |           |     |     |           |     |     |           |     |     |                    |
| 0xF       | /16                | 12.5 MHz (default)   |       |  |       |                    |                      |     |          |          |     |    |          |     |    |          |     |    |        |     |    |        |     |    |           |     |    |           |     |    |        |     |    |           |     |     |        |     |     |           |     |     |           |     |     |           |     |     |           |     |     |           |     |     |                    |
| 22        | USESYSCLK          | R/W                  | 0     | <p>Enable System Clock Divider</p> <p>Use the system clock divider as the source for the system clock. The system clock divider is forced to be used when the PLL is selected as the source.</p>   |       |                    |                      |     |          |          |     |    |          |     |    |          |     |    |        |     |    |        |     |    |           |     |    |           |     |    |        |     |    |           |     |     |        |     |     |           |     |     |           |     |     |           |     |     |           |     |     |           |     |     |                    |
| 21:14     | reserved           | RO                   | 0     | Software should not rely on the value of a reserved bit. To provide compatibility with future products, the value of a reserved bit should be preserved across a read-modify-write operation.  |       |                    |                      |     |          |          |     |    |          |     |    |          |     |    |        |     |    |        |     |    |           |     |    |           |     |    |        |     |    |           |     |     |        |     |     |           |     |     |           |     |     |           |     |     |           |     |     |           |     |     |                    |
| 13        | PWRDN              | R/W                  | 1     | <p>PLL Power Down</p> <p>This bit connects to the PLL PWRDN input. The reset value of 1 powers down the PLL.</p>   |       |                    |                      |     |          |          |     |    |          |     |    |          |     |    |        |     |    |        |     |    |           |     |    |           |     |    |        |     |    |           |     |     |        |     |     |           |     |     |           |     |     |           |     |     |           |     |     |           |     |     |                    |
| 12        | reserved           | RO                   | 1     | Software should not rely on the value of a reserved bit. To provide compatibility with future products, the value of a reserved bit should be preserved across a read-modify-write operation.  |       |                    |                      |     |          |          |     |    |          |     |    |          |     |    |        |     |    |        |     |    |           |     |    |           |     |    |        |     |    |           |     |     |        |     |     |           |     |     |           |     |     |           |     |     |           |     |     |           |     |     |                    |

| Bit/Field | Name  | Type                                  | Reset | Description   |       |   |                                       |                         |       |                                       |     |   |          |                                      |       |          |     |        |          |     |  |              |     |  |            |     |  |       |     |  |           |     |  |            |     |  |       |     |  |          |     |  |                     |     |  |           |     |  |            |     |  |       |     |  |           |
|-----------|---|---------------------------------------|-------|---|-------|---|---------------------------------------|-------------------------|-------|---------------------------------------|-----|---|----------|--------------------------------------|-------|----------|-----|--------|----------|-----|--|--------------|-----|--|------------|-----|--|-------|-----|--|-----------|-----|--|------------|-----|--|-------|-----|--|----------|-----|--|---------------------|-----|--|-----------|-----|--|------------|-----|--|-------|-----|--|-----------|
| 11        | BYPASS  | R/W                                   | 1     | <p>PLL Bypass</p> <p>Chooses whether the system clock is derived from the PLL output or the OSC source. If set, the clock that drives the system is the OSC source. Otherwise, the clock that drives the system is the PLL output clock divided by the system divider.</p>  |       |   |                                       |                         |       |                                       |     |   |          |                                      |       |          |     |        |          |     |  |              |     |  |            |     |  |       |     |  |           |     |  |            |     |  |       |     |  |          |     |  |                     |     |  |           |     |  |            |     |  |       |     |  |           |
| 10        | reserved  | RO                                    | 0     | <p>Software should not rely on the value of a reserved bit. To provide compatibility with future products, the value of a reserved bit should be preserved across a read-modify-write operation.</p>  |       |   |                                       |                         |       |                                       |     |   |          |                                      |       |          |     |        |          |     |  |              |     |  |            |     |  |       |     |  |           |     |  |            |     |  |       |     |  |          |     |  |                     |     |  |           |     |  |            |     |  |       |     |  |           |
| 9:6       | XTAL  | R/W                                   | 0xB   | <p>Crystal Value</p> <p>This field specifies the crystal value attached to the main oscillator. The encoding for this field is provided below.</p> <table border="1"> <thead> <tr> <th>Value</th> <th>Crystal Frequency (MHz) Not Using the PLL</th> <th>Crystal Frequency (MHz) Using the PLL</th> </tr> </thead> <tbody> <tr><td>0x0</td><td>1.000</td><td>reserved</td></tr> <tr><td>0x1</td><td>1.8432</td><td>reserved</td></tr> <tr><td>0x2</td><td>2.000</td><td>reserved</td></tr> <tr><td>0x3</td><td>2.4576</td><td>reserved</td></tr> <tr><td>0x4</td><td></td><td>3.579545 MHz</td></tr> <tr><td>0x5</td><td></td><td>3.6864 MHz</td></tr> <tr><td>0x6</td><td></td><td>4 MHz</td></tr> <tr><td>0x7</td><td></td><td>4.096 MHz</td></tr> <tr><td>0x8</td><td></td><td>4.9152 MHz</td></tr> <tr><td>0x9</td><td></td><td>5 MHz</td></tr> <tr><td>0xA</td><td></td><td>5.12 MHz</td></tr> <tr><td>0xB</td><td></td><td>6 MHz (reset value)</td></tr> <tr><td>0xC</td><td></td><td>6.144 MHz</td></tr> <tr><td>0xD</td><td></td><td>7.3728 MHz</td></tr> <tr><td>0xE</td><td></td><td>8 MHz</td></tr> <tr><td>0xF</td><td></td><td>8.192 MHz</td></tr> </tbody> </table> | Value | Crystal Frequency (MHz) Not Using the PLL | Crystal Frequency (MHz) Using the PLL | 0x0                     | 1.000 | reserved                              | 0x1 | 1.8432  | reserved | 0x2                                  | 2.000 | reserved | 0x3 | 2.4576 | reserved | 0x4 |  | 3.579545 MHz | 0x5 |  | 3.6864 MHz | 0x6 |  | 4 MHz | 0x7 |  | 4.096 MHz | 0x8 |  | 4.9152 MHz | 0x9 |  | 5 MHz | 0xA |  | 5.12 MHz | 0xB |  | 6 MHz (reset value) | 0xC |  | 6.144 MHz | 0xD |  | 7.3728 MHz | 0xE |  | 8 MHz | 0xF |  | 8.192 MHz |
| Value     | Crystal Frequency (MHz) Not Using the PLL                                     | Crystal Frequency (MHz) Using the PLL |       |   |       |   |                                       |                         |       |                                       |     |   |          |                                      |       |          |     |        |          |     |  |              |     |  |            |     |  |       |     |  |           |     |  |            |     |  |       |     |  |          |     |  |                     |     |  |           |     |  |            |     |  |       |     |  |           |
| 0x0       | 1.000   | reserved                              |       |   |       |   |                                       |                         |       |                                       |     |   |          |                                      |       |          |     |        |          |     |  |              |     |  |            |     |  |       |     |  |           |     |  |            |     |  |       |     |  |          |     |  |                     |     |  |           |     |  |            |     |  |       |     |  |           |
| 0x1       | 1.8432  | reserved                              |       |   |       |   |                                       |                         |       |                                       |     |   |          |                                      |       |          |     |        |          |     |  |              |     |  |            |     |  |       |     |  |           |     |  |            |     |  |       |     |  |          |     |  |                     |     |  |           |     |  |            |     |  |       |     |  |           |
| 0x2       | 2.000   | reserved                              |       |   |       |   |                                       |                         |       |                                       |     |   |          |                                      |       |          |     |        |          |     |  |              |     |  |            |     |  |       |     |  |           |     |  |            |     |  |       |     |  |          |     |  |                     |     |  |           |     |  |            |     |  |       |     |  |           |
| 0x3       | 2.4576  | reserved                              |       |   |       |   |                                       |                         |       |                                       |     |   |          |                                      |       |          |     |        |          |     |  |              |     |  |            |     |  |       |     |  |           |     |  |            |     |  |       |     |  |          |     |  |                     |     |  |           |     |  |            |     |  |       |     |  |           |
| 0x4       |   | 3.579545 MHz                          |       |   |       |   |                                       |                         |       |                                       |     |   |          |                                      |       |          |     |        |          |     |  |              |     |  |            |     |  |       |     |  |           |     |  |            |     |  |       |     |  |          |     |  |                     |     |  |           |     |  |            |     |  |       |     |  |           |
| 0x5       |   | 3.6864 MHz                            |       |   |       |   |                                       |                         |       |                                       |     |   |          |                                      |       |          |     |        |          |     |  |              |     |  |            |     |  |       |     |  |           |     |  |            |     |  |       |     |  |          |     |  |                     |     |  |           |     |  |            |     |  |       |     |  |           |
| 0x6       |   | 4 MHz                                 |       |   |       |   |                                       |                         |       |                                       |     |   |          |                                      |       |          |     |        |          |     |  |              |     |  |            |     |  |       |     |  |           |     |  |            |     |  |       |     |  |          |     |  |                     |     |  |           |     |  |            |     |  |       |     |  |           |
| 0x7       |   | 4.096 MHz                             |       |   |       |   |                                       |                         |       |                                       |     |   |          |                                      |       |          |     |        |          |     |  |              |     |  |            |     |  |       |     |  |           |     |  |            |     |  |       |     |  |          |     |  |                     |     |  |           |     |  |            |     |  |       |     |  |           |
| 0x8       |   | 4.9152 MHz                            |       |   |       |   |                                       |                         |       |                                       |     |   |          |                                      |       |          |     |        |          |     |  |              |     |  |            |     |  |       |     |  |           |     |  |            |     |  |       |     |  |          |     |  |                     |     |  |           |     |  |            |     |  |       |     |  |           |
| 0x9       |   | 5 MHz                                 |       |   |       |   |                                       |                         |       |                                       |     |   |          |                                      |       |          |     |        |          |     |  |              |     |  |            |     |  |       |     |  |           |     |  |            |     |  |       |     |  |          |     |  |                     |     |  |           |     |  |            |     |  |       |     |  |           |
| 0xA       |   | 5.12 MHz                              |       |   |       |   |                                       |                         |       |                                       |     |   |          |                                      |       |          |     |        |          |     |  |              |     |  |            |     |  |       |     |  |           |     |  |            |     |  |       |     |  |          |     |  |                     |     |  |           |     |  |            |     |  |       |     |  |           |
| 0xB       |   | 6 MHz (reset value)                   |       |   |       |   |                                       |                         |       |                                       |     |   |          |                                      |       |          |     |        |          |     |  |              |     |  |            |     |  |       |     |  |           |     |  |            |     |  |       |     |  |          |     |  |                     |     |  |           |     |  |            |     |  |       |     |  |           |
| 0xC       |   | 6.144 MHz                             |       |   |       |   |                                       |                         |       |                                       |     |   |          |                                      |       |          |     |        |          |     |  |              |     |  |            |     |  |       |     |  |           |     |  |            |     |  |       |     |  |          |     |  |                     |     |  |           |     |  |            |     |  |       |     |  |           |
| 0xD       |   | 7.3728 MHz                            |       |   |       |   |                                       |                         |       |                                       |     |   |          |                                      |       |          |     |        |          |     |  |              |     |  |            |     |  |       |     |  |           |     |  |            |     |  |       |     |  |          |     |  |                     |     |  |           |     |  |            |     |  |       |     |  |           |
| 0xE       |   | 8 MHz                                 |       |   |       |   |                                       |                         |       |                                       |     |   |          |                                      |       |          |     |        |          |     |  |              |     |  |            |     |  |       |     |  |           |     |  |            |     |  |       |     |  |          |     |  |                     |     |  |           |     |  |            |     |  |       |     |  |           |
| 0xF       |   | 8.192 MHz                             |       |   |       |   |                                       |                         |       |                                       |     |   |          |                                      |       |          |     |        |          |     |  |              |     |  |            |     |  |       |     |  |           |     |  |            |     |  |       |     |  |          |     |  |                     |     |  |           |     |  |            |     |  |       |     |  |           |
| 5:4       | OSCSRC  | R/W                                   | 0x1   | <p>Oscillator Source</p> <p>Selects the input source for the OSC. The values are:</p> <table border="1"> <thead> <tr> <th>Value</th> <th>Input Source</th> </tr> </thead> <tbody> <tr> <td>0x0</td> <td>MOSC<br/>Main oscillator</td> </tr> <tr> <td>0x1</td> <td>IOSC<br/>Internal oscillator (default)</td> </tr> <tr> <td>0x2</td> <td>IOSC/4<br/>Internal oscillator / 4 (this is necessary if used as input to PLL)</td> </tr> <tr> <td>0x3</td> <td>30 kHz<br/>30-KHz internal oscillator</td> </tr> </tbody> </table> <p>For additional oscillator sources, see the <b>RCC2</b> register.</p>  | Value | Input Source                              | 0x0                                   | MOSC<br>Main oscillator | 0x1   | IOSC<br>Internal oscillator (default) | 0x2 | IOSC/4<br>Internal oscillator / 4 (this is necessary if used as input to PLL) | 0x3      | 30 kHz<br>30-KHz internal oscillator |       |          |     |        |          |     |  |              |     |  |            |     |  |       |     |  |           |     |  |            |     |  |       |     |  |          |     |  |                     |     |  |           |     |  |            |     |  |       |     |  |           |
| Value     | Input Source  |                                       |       |   |       |   |                                       |                         |       |                                       |     |   |          |                                      |       |          |     |        |          |     |  |              |     |  |            |     |  |       |     |  |           |     |  |            |     |  |       |     |  |          |     |  |                     |     |  |           |     |  |            |     |  |       |     |  |           |
| 0x0       | MOSC<br>Main oscillator   |                                       |       |   |       |   |                                       |                         |       |                                       |     |   |          |                                      |       |          |     |        |          |     |  |              |     |  |            |     |  |       |     |  |           |     |  |            |     |  |       |     |  |          |     |  |                     |     |  |           |     |  |            |     |  |       |     |  |           |
| 0x1       | IOSC<br>Internal oscillator (default)   |                                       |       |   |       |   |                                       |                         |       |                                       |     |   |          |                                      |       |          |     |        |          |     |  |              |     |  |            |     |  |       |     |  |           |     |  |            |     |  |       |     |  |          |     |  |                     |     |  |           |     |  |            |     |  |       |     |  |           |
| 0x2       | IOSC/4<br>Internal oscillator / 4 (this is necessary if used as input to PLL) |                                       |       |   |       |   |                                       |                         |       |                                       |     |   |          |                                      |       |          |     |        |          |     |  |              |     |  |            |     |  |       |     |  |           |     |  |            |     |  |       |     |  |          |     |  |                     |     |  |           |     |  |            |     |  |       |     |  |           |
| 0x3       | 30 kHz<br>30-KHz internal oscillator  |                                       |       |   |       |   |                                       |                         |       |                                       |     |   |          |                                      |       |          |     |        |          |     |  |              |     |  |            |     |  |       |     |  |           |     |  |            |     |  |       |     |  |          |     |  |                     |     |  |           |     |  |            |     |  |       |     |  |           |

---

| Bit/Field | Name     | Type | Reset | Description   |
|-----------|----------|------|-------|---|
| 3:2       | reserved | RO   | 0x0   | Software should not rely on the value of a reserved bit. To provide compatibility with future products, the value of a reserved bit should be preserved across a read-modify-write operation. |
| 1         | IOSCDIS  | R/W  | 0     | Internal Oscillator Disable<br>0: Internal oscillator (IOSC) is enabled.<br>1: Internal oscillator is disabled.   |
| 0         | MOSCDIS  | R/W  | 1     | Main Oscillator Disable<br>0: Main oscillator is enabled .<br>1: Main oscillator is disabled (default).   |

### Register 9: XTAL to PLL Translation (PLLCFG), offset 0x064

This register provides a means of translating external crystal frequencies into the appropriate PLL settings. This register is initialized during the reset sequence and updated anytime that the XTAL field changes in the Run-Mode Clock Configuration (RCC) register (see page 82).

The PLL frequency is calculated using the PLLCFG field values, as follows:

$$PLLFreq = OSCFreq * F / (R + 1)$$

#### XTAL to PLL Translation (PLLCFG)

Base 0x400F.E000

Offset 0x064

Type RO, reset -

|       |          |    |    |    |    |    |    |    |    |    |    |    |    |    |    |    |
|-------|----------|----|----|----|----|----|----|----|----|----|----|----|----|----|----|----|
|       | 31       | 30 | 29 | 28 | 27 | 26 | 25 | 24 | 23 | 22 | 21 | 20 | 19 | 18 | 17 | 16 |
|       | reserved |    |    |    |    |    |    |    |    |    |    |    |    |    |    |    |
| Type  | RO       | RO | RO | RO | RO | RO | RO | RO | RO | RO | RO | RO | RO | RO | RO | RO |
| Reset | 0        | 0  | 0  | 0  | 0  | 0  | 0  | 0  | 0  | 0  | 0  | 0  | 0  | 0  | 0  | 0  |
|       | 15       | 14 | 13 | 12 | 11 | 10 | 9  | 8  | 7  | 6  | 5  | 4  | 3  | 2  | 1  | 0  |
|       | reserved |    | F  |    |    |    |    | R  |    |    |    |    |    |    |    |    |
| Type  | RO       | RO | RO | RO | RO | RO | RO | RO | RO | RO | RO | RO | RO | RO | RO | RO |
| Reset | 0        | 0  | -  | -  | -  | -  | -  | -  | -  | -  | -  | -  | -  | -  | -  | -  |

| Bit/Field | Name     | Type | Reset | Description   |
|-----------|----------|------|-------|---|
| 31:14     | reserved | RO   | 0x0   | Software should not rely on the value of a reserved bit. To provide compatibility with future products, the value of a reserved bit should be preserved across a read-modify-write operation. |
| 13:5      | F        | RO   | -     | PLL F Value<br>This field specifies the value supplied to the PLL's F input.  |
| 4:0       | R        | RO   | -     | PLL R Value<br>This field specifies the value supplied to the PLL's R input.  |

## Register 10: Run-Mode Clock Configuration 2 (RCC2), offset 0x070

This register overrides the **RCC** equivalent register fields when the **USERCC2** bit is set, allowing the extended capabilities of the **RCC2** register to be used while also providing a means to be backward-compatible to previous parts. The fields within the **RCC2** register occupy the same bit positions as they do within the **RCC** register as LSB-justified.

The **SYSDIV2** field is 2 bits wider than the **SYSDIV** field in the **RCC** register so that additional larger divisors are possible, allowing a lower system clock frequency for improved Deep Sleep power consumption. The PLL VCO frequency is 400 MHz.

### Run-Mode Clock Configuration 2 (RCC2)

Base 0x400F.E000

Offset 0x070

Type R/W, reset 0x0780.2810

|       |          |          |        |          |         |          |     |     |     |         |          |     |          |    |    |    |
|-------|----------|----------|--------|----------|---------|----------|-----|-----|-----|---------|----------|-----|----------|----|----|----|
|       | 31       | 30       | 29     | 28       | 27      | 26       | 25  | 24  | 23  | 22      | 21       | 20  | 19       | 18 | 17 | 16 |
|       | USERCC2  | reserved |        |          | SYSDIV2 |          |     |     |     |         | reserved |     |          |    |    |    |
| Type  | R/W      | RO       | RO     | R/W      | R/W     | R/W      | R/W | R/W | R/W | RO      | RO       | RO  | RO       | RO | RO | RO |
| Reset | 0        | 0        | 0      | 0        | 0       | 1        | 1   | 1   | 1   | 0       | 0        | 0   | 0        | 0  | 0  | 0  |
|       | 15       | 14       | 13     | 12       | 11      | 10       | 9   | 8   | 7   | 6       | 5        | 4   | 3        | 2  | 1  | 0  |
|       | reserved |          | PWRDN2 | reserved | BYPASS2 | reserved |     |     |     | OSCSRC2 |          |     | reserved |    |    |    |
| Type  | RO       | RO       | R/W    | RO       | R/W     | RO       | RO  | RO  | RO  | R/W     | R/W      | R/W | RO       | RO | RO | RO |
| Reset | 0        | 0        | 1      | 0        | 1       | 0        | 0   | 0   | 0   | 0       | 0        | 1   | 0        | 0  | 0  | 0  |

| Bit/Field | Name     | Type | Reset | Description  |
|-----------|----------|------|-------|--|
| 31        | USERCC2  | R/W  | 0     | Use RCC2<br>When set, overrides the <b>RCC</b> register fields.  |
| 30:29     | reserved | RO   | 0     | Software should not rely on the value of a reserved bit. To provide compatibility with future products, the value of a reserved bit should be preserved across a read-modify-write operation.  |
| 28:23     | SYSDIV2  | R/W  | 0x0F  | System Clock Divisor<br>Specifies which divisor is used to generate the system clock from the PLL output.<br>Although the PLL VCO frequency is 400 MHz, it is predivided by 2 before the divisor is applied.<br>This field is wider than the <b>RCC</b> register <b>SYSDIV</b> field in order to provide additional divisor values. This permits the system clock to be run at much lower frequencies during Deep Sleep mode. For example, where the <b>RCC</b> register <b>SYSDIV</b> encoding of 1111 provides /16, the <b>RCC2</b> register <b>SYSDIV2</b> encoding of 111111 provides /64. |
| 22:14     | reserved | RO   | 0     | Software should not rely on the value of a reserved bit. To provide compatibility with future products, the value of a reserved bit should be preserved across a read-modify-write operation.  |
| 13        | PWRDN2   | R/W  | 1     | Power-Down PLL<br>When set, powers down the PLL.   |
| 12        | reserved | RO   | 0     | Software should not rely on the value of a reserved bit. To provide compatibility with future products, the value of a reserved bit should be preserved across a read-modify-write operation.  |

| Bit/Field | Name                                     | Type | Reset | Description  |       |             |     |                         |     |                             |     |                                   |     |                                      |     |          |     |          |     |          |     |  |
|-----------|--|------|-------|--|-------|-------------|-----|-------------------------|-----|-----------------------------|-----|-----------------------------------|-----|--------------------------------------|-----|----------|-----|----------|-----|----------|-----|--|
| 11        | BYPASS2                                  | R/W  | 1     | Bypass PLL<br>When set, bypasses the PLL for the clock source.   |       |             |     |                         |     |                             |     |                                   |     |                                      |     |          |     |          |     |          |     |  |
| 10:7      | reserved                                 | RO   | 0x0   | Software should not rely on the value of a reserved bit. To provide compatibility with future products, the value of a reserved bit should be preserved across a read-modify-write operation.  |       |             |     |                         |     |                             |     |                                   |     |                                      |     |          |     |          |     |          |     |  |
| 6:4       | OSCSRC2                                  | R/W  | 0x1   | Oscillator Source<br>Selects the input source for the OSC. The values are:<br><br><table border="1"> <thead> <tr> <th>Value</th> <th>Description</th> </tr> </thead> <tbody> <tr> <td>0x0</td> <td>MOSC<br/>Main oscillator</td> </tr> <tr> <td>0x1</td> <td>IOSC<br/>Internal oscillator</td> </tr> <tr> <td>0x2</td> <td>IOSC/4<br/>Internal oscillator / 4</td> </tr> <tr> <td>0x3</td> <td>30 kHz<br/>30-kHz internal oscillator</td> </tr> <tr> <td>0x4</td> <td>Reserved</td> </tr> <tr> <td>0x5</td> <td>Reserved</td> </tr> <tr> <td>0x6</td> <td>Reserved</td> </tr> <tr> <td>0x7</td> <td>32 kHz<br/>32.768-kHz external oscillator</td> </tr> </tbody> </table> | Value | Description | 0x0 | MOSC<br>Main oscillator | 0x1 | IOSC<br>Internal oscillator | 0x2 | IOSC/4<br>Internal oscillator / 4 | 0x3 | 30 kHz<br>30-kHz internal oscillator | 0x4 | Reserved | 0x5 | Reserved | 0x6 | Reserved | 0x7 | 32 kHz<br>32.768-kHz external oscillator |
| Value     | Description                              |      |       |  |       |             |     |                         |     |                             |     |                                   |     |                                      |     |          |     |          |     |          |     |  |
| 0x0       | MOSC<br>Main oscillator                  |      |       |  |       |             |     |                         |     |                             |     |                                   |     |                                      |     |          |     |          |     |          |     |  |
| 0x1       | IOSC<br>Internal oscillator              |      |       |  |       |             |     |                         |     |                             |     |                                   |     |                                      |     |          |     |          |     |          |     |  |
| 0x2       | IOSC/4<br>Internal oscillator / 4        |      |       |  |       |             |     |                         |     |                             |     |                                   |     |                                      |     |          |     |          |     |          |     |  |
| 0x3       | 30 kHz<br>30-kHz internal oscillator     |      |       |  |       |             |     |                         |     |                             |     |                                   |     |                                      |     |          |     |          |     |          |     |  |
| 0x4       | Reserved                                 |      |       |  |       |             |     |                         |     |                             |     |                                   |     |                                      |     |          |     |          |     |          |     |  |
| 0x5       | Reserved                                 |      |       |  |       |             |     |                         |     |                             |     |                                   |     |                                      |     |          |     |          |     |          |     |  |
| 0x6       | Reserved                                 |      |       |  |       |             |     |                         |     |                             |     |                                   |     |                                      |     |          |     |          |     |          |     |  |
| 0x7       | 32 kHz<br>32.768-kHz external oscillator |      |       |  |       |             |     |                         |     |                             |     |                                   |     |                                      |     |          |     |          |     |          |     |  |
| 3:0       | reserved                                 | RO   | 0     | Software should not rely on the value of a reserved bit. To provide compatibility with future products, the value of a reserved bit should be preserved across a read-modify-write operation.  |       |             |     |                         |     |                             |     |                                   |     |                                      |     |          |     |          |     |          |     |  |



**Register 11: Deep Sleep Clock Configuration (DSLPCCLKCFG), offset 0x144**

This register provides configuration information for the hardware control of Deep Sleep Mode.

## Deep Sleep Clock Configuration (DSLPCCLKCFG)

Base 0x400F.E000

Offset 0x144

Type R/W, reset 0x0780.0000

|       |          |    |    |            |     |     |          |     |     |          |          |     |    |    |    |    |
|-------|----------|----|----|------------|-----|-----|----------|-----|-----|----------|----------|-----|----|----|----|----|
|       | 31       | 30 | 29 | 28         | 27  | 26  | 25       | 24  | 23  | 22       | 21       | 20  | 19 | 18 | 17 | 16 |
|       | reserved |    |    | DSDIVORIDE |     |     |          |     |     | reserved |          |     |    |    |    |    |
| Type  | RO       | RO | RO | R/W        | R/W | R/W | R/W      | R/W | R/W | RO       | RO       | RO  | RO | RO | RO | RO |
| Reset | 0        | 0  | 0  | 0          | 0   | 1   | 1        | 1   | 1   | 0        | 0        | 0   | 0  | 0  | 0  | 0  |
|       | 15       | 14 | 13 | 12         | 11  | 10  | 9        | 8   | 7   | 6        | 5        | 4   | 3  | 2  | 1  | 0  |
|       | reserved |    |    |            |     |     | DSOSCSRC |     |     |          | reserved |     |    |    |    |    |
| Type  | RO       | RO | RO | RO         | RO  | RO  | RO       | RO  | RO  | R/W      | R/W      | R/W | RO | RO | RO | RO |
| Reset | 0        | 0  | 0  | 0          | 0   | 0   | 0        | 0   | 0   | 0        | 0        | 0   | 0  | 0  | 0  | 0  |

| Bit/Field | Name  | Type | Reset | Description   |       |             |     |  |     |   |     |          |     |   |     |          |     |          |     |          |     |   |
|-----------|---|------|-------|---|-------|-------------|-----|--|-----|---|-----|----------|-----|---|-----|----------|-----|----------|-----|----------|-----|---|
| 31:29     | reserved  | RO   | 0x0   | Software should not rely on the value of a reserved bit. To provide compatibility with future products, the value of a reserved bit should be preserved across a read-modify-write operation.   |       |             |     |  |     |   |     |          |     |   |     |          |     |          |     |          |     |   |
| 28:23     | DSDIVORIDE  | R/W  | 0x0F  | Divider Field Override<br>6-bit system divider field to override when Deep-Sleep occurs with PLL running.   |       |             |     |  |     |   |     |          |     |   |     |          |     |          |     |          |     |   |
| 22:7      | reserved  | RO   | 0x0   | Software should not rely on the value of a reserved bit. To provide compatibility with future products, the value of a reserved bit should be preserved across a read-modify-write operation.   |       |             |     |  |     |   |     |          |     |   |     |          |     |          |     |          |     |   |
| 6:4       | DSOSCSRC  | R/W  | 0x0   | Clock Source<br>Specifies the clock source during Deep-Sleep mode.<br><br><table border="0"> <thead> <tr> <th>Value</th> <th>Description</th> </tr> </thead> <tbody> <tr> <td>0x0</td> <td>MOSC<br/>Use main oscillator as source.</td> </tr> <tr> <td>0x1</td> <td>IOSC<br/>Use internal 12-MHz oscillator as source.</td> </tr> <tr> <td>0x2</td> <td>Reserved</td> </tr> <tr> <td>0x3</td> <td>30 kHz<br/>Use 30-kHz internal oscillator as source.</td> </tr> <tr> <td>0x4</td> <td>Reserved</td> </tr> <tr> <td>0x5</td> <td>Reserved</td> </tr> <tr> <td>0x6</td> <td>Reserved</td> </tr> <tr> <td>0x7</td> <td>32 kHz<br/>Use 32.768-kHz external oscillator as source.</td> </tr> </tbody> </table> | Value | Description | 0x0 | MOSC<br>Use main oscillator as source. | 0x1 | IOSC<br>Use internal 12-MHz oscillator as source. | 0x2 | Reserved | 0x3 | 30 kHz<br>Use 30-kHz internal oscillator as source. | 0x4 | Reserved | 0x5 | Reserved | 0x6 | Reserved | 0x7 | 32 kHz<br>Use 32.768-kHz external oscillator as source. |
| Value     | Description   |      |       |   |       |             |     |  |     |   |     |          |     |   |     |          |     |          |     |          |     |   |
| 0x0       | MOSC<br>Use main oscillator as source.                  |      |       |   |       |             |     |  |     |   |     |          |     |   |     |          |     |          |     |          |     |   |
| 0x1       | IOSC<br>Use internal 12-MHz oscillator as source.       |      |       |   |       |             |     |  |     |   |     |          |     |   |     |          |     |          |     |          |     |   |
| 0x2       | Reserved  |      |       |   |       |             |     |  |     |   |     |          |     |   |     |          |     |          |     |          |     |   |
| 0x3       | 30 kHz<br>Use 30-kHz internal oscillator as source.     |      |       |   |       |             |     |  |     |   |     |          |     |   |     |          |     |          |     |          |     |   |
| 0x4       | Reserved  |      |       |   |       |             |     |  |     |   |     |          |     |   |     |          |     |          |     |          |     |   |
| 0x5       | Reserved  |      |       |   |       |             |     |  |     |   |     |          |     |   |     |          |     |          |     |          |     |   |
| 0x6       | Reserved  |      |       |   |       |             |     |  |     |   |     |          |     |   |     |          |     |          |     |          |     |   |
| 0x7       | 32 kHz<br>Use 32.768-kHz external oscillator as source. |      |       |   |       |             |     |  |     |   |     |          |     |   |     |          |     |          |     |          |     |   |
| 3:0       | reserved  | RO   | 0x0   | Software should not rely on the value of a reserved bit. To provide compatibility with future products, the value of a reserved bit should be preserved across a read-modify-write operation.   |       |             |     |  |     |   |     |          |     |   |     |          |     |          |     |          |     |   |

## Register 12: Device Identification 1 (DID1), offset 0x004

This register identifies the device family, part number, temperature range, pin count, and package type.

### Device Identification 1 (DID1)

Base 0x400F.E000

Offset 0x004

Type RO, reset -

|       |          |    |    |          |     |    |    |      |        |    |     |    |      |      |    |    |
|-------|----------|----|----|----------|-----|----|----|------|--------|----|-----|----|------|------|----|----|
|       | 31       | 30 | 29 | 28       | 27  | 26 | 25 | 24   | 23     | 22 | 21  | 20 | 19   | 18   | 17 | 16 |
|       | VER      |    |    |          | FAM |    |    |      | PARTNO |    |     |    |      |      |    |    |
| Type  | RO       | RO | RO | RO       | RO  | RO | RO | RO   | RO     | RO | RO  | RO | RO   | RO   | RO | RO |
| Reset | 0        | 0  | 0  | 1        | 0   | 0  | 0  | 0    | 1      | 1  | 1   | 0  | 1    | 0    | 0  | 1  |
|       | 15       | 14 | 13 | 12       | 11  | 10 | 9  | 8    | 7      | 6  | 5   | 4  | 3    | 2    | 1  | 0  |
|       | PINCOUNT |    |    | reserved |     |    |    | TEMP |        |    | PKG |    | ROHS | QUAL |    |    |
| Type  | RO       | RO | RO | RO       | RO  | RO | RO | RO   | RO     | RO | RO  | RO | RO   | RO   | RO | RO |
| Reset | 0        | 1  | 0  | 0        | 0   | 0  | 0  | 0    | -      | -  | -   | -  | -    | 1    | -  | -  |

| Bit/Field | Name  | Type | Reset | Description   |       |             |      |   |
|-----------|---|------|-------|---|-------|-------------|------|---|
| 31:28     | VER   | RO   | 0x1   | <p>DID1 Version</p> <p>This field defines the <b>DID1</b> register format version. The version number is numeric. The value of the <code>VER</code> field is encoded as follows (all other encodings are reserved):</p> <table border="1"> <thead> <tr> <th>Value</th> <th>Description</th> </tr> </thead> <tbody> <tr> <td>0x1</td> <td>Second version of the <b>DID1</b> register format.</td> </tr> </tbody> </table>                                  | Value | Description | 0x1  | Second version of the <b>DID1</b> register format.  |
| Value     | Description   |      |       |   |       |             |      |   |
| 0x1       | Second version of the <b>DID1</b> register format.  |      |       |   |       |             |      |   |
| 27:24     | FAM   | RO   | 0x0   | <p>Family</p> <p>This field provides the family identification of the device within the Luminary Micro product portfolio. The value is encoded as follows (all other encodings are reserved):</p> <table border="1"> <thead> <tr> <th>Value</th> <th>Description</th> </tr> </thead> <tbody> <tr> <td>0x0</td> <td>Stellaris family of microcontrollers, that is, all devices with external part numbers starting with LM3S.</td> </tr> </tbody> </table> | Value | Description | 0x0  | Stellaris family of microcontrollers, that is, all devices with external part numbers starting with LM3S. |
| Value     | Description   |      |       |   |       |             |      |   |
| 0x0       | Stellaris family of microcontrollers, that is, all devices with external part numbers starting with LM3S. |      |       |   |       |             |      |   |
| 23:16     | PARTNO  | RO   | 0xE9  | <p>Part Number</p> <p>This field provides the part number of the device within the family. The value is encoded as follows (all other encodings are reserved):</p> <table border="1"> <thead> <tr> <th>Value</th> <th>Description</th> </tr> </thead> <tbody> <tr> <td>0xE9</td> <td>LM3S6911</td> </tr> </tbody> </table>  | Value | Description | 0xE9 | LM3S6911  |
| Value     | Description   |      |       |   |       |             |      |   |
| 0xE9      | LM3S6911  |      |       |   |       |             |      |   |
| 15:13     | PINCOUNT  | RO   | 0x2   | <p>Package Pin Count</p> <p>This field specifies the number of pins on the device package. The value is encoded as follows (all other encodings are reserved):</p> <table border="1"> <thead> <tr> <th>Value</th> <th>Description</th> </tr> </thead> <tbody> <tr> <td>0x2</td> <td>100-pin or 108-ball package</td> </tr> </tbody> </table>  | Value | Description | 0x2  | 100-pin or 108-ball package   |
| Value     | Description   |      |       |   |       |             |      |   |
| 0x2       | 100-pin or 108-ball package   |      |       |   |       |             |      |   |

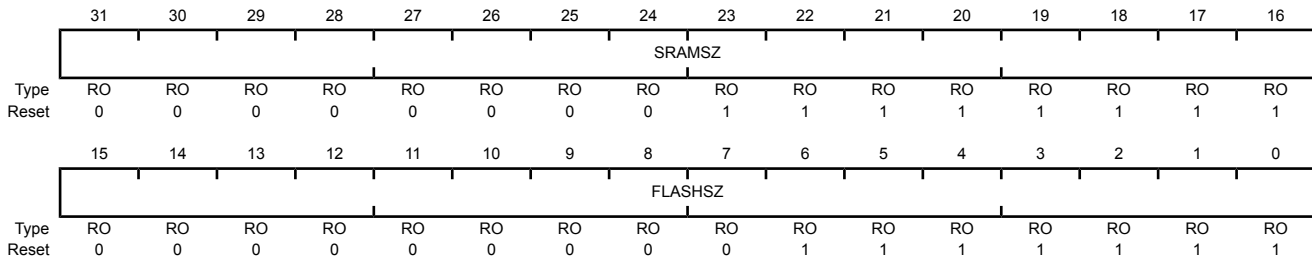
| Bit/Field | Name   | Type | Reset | Description  |       |             |     |  |     |  |     |   |
|-----------|--|------|-------|--|-------|-------------|-----|--|-----|--|-----|---|
| 12:8      | reserved                                     | RO   | 0     | Software should not rely on the value of a reserved bit. To provide compatibility with future products, the value of a reserved bit should be preserved across a read-modify-write operation.  |       |             |     |  |     |  |     |   |
| 7:5       | TEMP   | RO   | -     | <p>Temperature Range</p> <p>This field specifies the temperature rating of the device. The value is encoded as follows (all other encodings are reserved):</p> <table border="1"> <thead> <tr> <th>Value</th> <th>Description</th> </tr> </thead> <tbody> <tr> <td>0x0</td> <td>Commercial temperature range (0°C to 70°C)</td> </tr> <tr> <td>0x1</td> <td>Industrial temperature range (-40°C to 85°C)</td> </tr> <tr> <td>0x2</td> <td>Extended temperature range (-40°C to 105°C)</td> </tr> </tbody> </table> | Value | Description | 0x0 | Commercial temperature range (0°C to 70°C) | 0x1 | Industrial temperature range (-40°C to 85°C) | 0x2 | Extended temperature range (-40°C to 105°C) |
| Value     | Description                                  |      |       |  |       |             |     |  |     |  |     |   |
| 0x0       | Commercial temperature range (0°C to 70°C)   |      |       |  |       |             |     |  |     |  |     |   |
| 0x1       | Industrial temperature range (-40°C to 85°C) |      |       |  |       |             |     |  |     |  |     |   |
| 0x2       | Extended temperature range (-40°C to 105°C)  |      |       |  |       |             |     |  |     |  |     |   |
| 4:3       | PKG  | RO   | -     | <p>Package Type</p> <p>This field specifies the package type. The value is encoded as follows (all other encodings are reserved):</p> <table border="1"> <thead> <tr> <th>Value</th> <th>Description</th> </tr> </thead> <tbody> <tr> <td>0x0</td> <td>SOIC package</td> </tr> <tr> <td>0x1</td> <td>LQFP package</td> </tr> <tr> <td>0x2</td> <td>BGA package</td> </tr> </tbody> </table>  | Value | Description | 0x0 | SOIC package                               | 0x1 | LQFP package                                 | 0x2 | BGA package                                 |
| Value     | Description                                  |      |       |  |       |             |     |  |     |  |     |   |
| 0x0       | SOIC package                                 |      |       |  |       |             |     |  |     |  |     |   |
| 0x1       | LQFP package                                 |      |       |  |       |             |     |  |     |  |     |   |
| 0x2       | BGA package                                  |      |       |  |       |             |     |  |     |  |     |   |
| 2         | ROHS   | RO   | 1     | <p>RoHS-Compliance</p> <p>This bit specifies whether the device is RoHS-compliant. A 1 indicates the part is RoHS-compliant.</p>   |       |             |     |  |     |  |     |   |
| 1:0       | QUAL   | RO   | -     | <p>Qualification Status</p> <p>This field specifies the qualification status of the device. The value is encoded as follows (all other encodings are reserved):</p> <table border="1"> <thead> <tr> <th>Value</th> <th>Description</th> </tr> </thead> <tbody> <tr> <td>0x0</td> <td>Engineering Sample (unqualified)</td> </tr> <tr> <td>0x1</td> <td>Pilot Production (unqualified)</td> </tr> <tr> <td>0x2</td> <td>Fully Qualified</td> </tr> </tbody> </table>  | Value | Description | 0x0 | Engineering Sample (unqualified)           | 0x1 | Pilot Production (unqualified)               | 0x2 | Fully Qualified                             |
| Value     | Description                                  |      |       |  |       |             |     |  |     |  |     |   |
| 0x0       | Engineering Sample (unqualified)             |      |       |  |       |             |     |  |     |  |     |   |
| 0x1       | Pilot Production (unqualified)               |      |       |  |       |             |     |  |     |  |     |   |
| 0x2       | Fully Qualified                              |      |       |  |       |             |     |  |     |  |     |   |

### Register 13: Device Capabilities 0 (DC0), offset 0x008

This register is predefined by the part and can be used to verify features.

#### Device Capabilities 0 (DC0)

Base 0x400F.E000  
 Offset 0x008  
 Type RO, reset 0x00FF.007F



| Bit/Field | Name    | Type | Reset  | Description   |
|-----------|---------|------|--------|---|
| 31:16     | SRAMSZ  | RO   | 0x00FF | SRAM Size<br>Indicates the size of the on-chip SRAM memory.<br><br>Value    Description<br>0x00FF 64 KB of SRAM     |
| 15:0      | FLASHSZ | RO   | 0x007F | Flash Size<br>Indicates the size of the on-chip flash memory.<br><br>Value    Description<br>0x007F 256 KB of Flash |

## Register 14: Device Capabilities 1 (DC1), offset 0x010

This register provides a list of features available in the system. The Stellaris family uses this register format to indicate the availability of the following family features in the specific device: CANs, PWM, ADC, Watchdog timer, Hibernation module, and debug capabilities. This register also indicates the maximum clock frequency and maximum ADC sample rate. The format of this register is consistent with the **RCGC0**, **SCGC0**, and **DCGC0** clock control registers and the **SRCR0** software reset control register.

### Device Capabilities 1 (DC1)

Base 0x400F.E000  
Offset 0x010  
Type RO, reset 0x0000.30DF

|       |           |    |    |    |          |    |    |    |     |     |          |     |     |     |     |      |
|-------|-----------|----|----|----|----------|----|----|----|-----|-----|----------|-----|-----|-----|-----|------|
|       | 31        | 30 | 29 | 28 | 27       | 26 | 25 | 24 | 23  | 22  | 21       | 20  | 19  | 18  | 17  | 16   |
|       | reserved  |    |    |    |          |    |    |    |     |     |          |     |     |     |     |      |
| Type  | RO        | RO | RO | RO | RO       | RO | RO | RO | RO  | RO  | RO       | RO  | RO  | RO  | RO  | RO   |
| Reset | 0         | 0  | 0  | 0  | 0        | 0  | 0  | 0  | 0   | 0   | 0        | 0   | 0   | 0   | 0   | 0    |
|       | 15        | 14 | 13 | 12 | 11       | 10 | 9  | 8  | 7   | 6   | 5        | 4   | 3   | 2   | 1   | 0    |
|       | MINSYSDIV |    |    |    | reserved |    |    |    | MPU | HIB | reserved | PLL | WDT | SWO | SWD | JTAG |
| Type  | RO        | RO | RO | RO | RO       | RO | RO | RO | RO  | RO  | RO       | RO  | RO  | RO  | RO  | RO   |
| Reset | 0         | 0  | 1  | 1  | 0        | 0  | 0  | 0  | 1   | 1   | 0        | 1   | 1   | 1   | 1   | 1    |

| Bit/Field | Name      | Type | Reset | Description  |
|-----------|-----------|------|-------|--|
| 31:16     | reserved  | RO   | 0     | Software should not rely on the value of a reserved bit. To provide compatibility with future products, the value of a reserved bit should be preserved across a read-modify-write operation.  |
| 15:12     | MINSYSDIV | RO   | 0x3   | System Clock Divider<br><br>Minimum 4-bit divider value for system clock. The reset value is hardware-dependent. See the <b>RCC</b> register for how to change the system clock divisor using the <b>SYSDIV</b> bit.<br><br>Value Description<br>0x3 Specifies a 50-MHz CPU clock with a PLL divider of 4. |
| 11:8      | reserved  | RO   | 0     | Software should not rely on the value of a reserved bit. To provide compatibility with future products, the value of a reserved bit should be preserved across a read-modify-write operation.  |
| 7         | MPU       | RO   | 1     | MPU Present<br><br>When set, indicates that the Cortex-M3 Memory Protection Unit (MPU) module is present. See the ARM Cortex-M3 Technical Reference Manual for details on the MPU.   |
| 6         | HIB       | RO   | 1     | Hibernation Module Present<br><br>When set, indicates that the Hibernation module is present.  |
| 5         | reserved  | RO   | 0     | Software should not rely on the value of a reserved bit. To provide compatibility with future products, the value of a reserved bit should be preserved across a read-modify-write operation.  |
| 4         | PLL       | RO   | 1     | PLL Present<br><br>When set, indicates that the on-chip Phase Locked Loop (PLL) is present.  |

| Bit/Field | Name | Type | Reset | Description  |
|-----------|------|------|-------|--|
| 3         | WDT  | RO   | 1     | Watchdog Timer Present<br>When set, indicates that a watchdog timer is present.                        |
| 2         | SWO  | RO   | 1     | SWO Trace Port Present<br>When set, indicates that the Serial Wire Output (SWO) trace port is present. |
| 1         | SWD  | RO   | 1     | SWD Present<br>When set, indicates that the Serial Wire Debugger (SWD) is present.                     |
| 0         | JTAG | RO   | 1     | JTAG Present<br>When set, indicates that the JTAG debugger interface is present.                       |

## Register 15: Device Capabilities 2 (DC2), offset 0x014

This register provides a list of features available in the system. The Stellaris family uses this register format to indicate the availability of the following family features in the specific device: Analog Comparators, General-Purpose Timers, I2Cs, QEIs, SSIs, and UARTs. The format of this register is consistent with the **RCGC1**, **SCGC1**, and **DCGC1** clock control registers and the **SRCR1** software reset control register.

### Device Capabilities 2 (DC2)

Base 0x400F.E000

Offset 0x014

Type RO, reset 0x030F.5037

|       |          |      |          |      |          |    |       |       |          |    |      |      |          |        |        |        |
|-------|----------|------|----------|------|----------|----|-------|-------|----------|----|------|------|----------|--------|--------|--------|
|       | 31       | 30   | 29       | 28   | 27       | 26 | 25    | 24    | 23       | 22 | 21   | 20   | 19       | 18     | 17     | 16     |
|       | reserved |      |          |      |          |    | COMP1 | COMP0 | reserved |    |      |      | TIMER3   | TIMER2 | TIMER1 | TIMER0 |
| Type  | RO       | RO   | RO       | RO   | RO       | RO | RO    | RO    | RO       | RO | RO   | RO   | RO       | RO     | RO     | RO     |
| Reset | 0        | 0    | 0        | 0    | 0        | 0  | 1     | 1     | 0        | 0  | 0    | 0    | 1        | 1      | 1      | 1      |
|       | 15       | 14   | 13       | 12   | 11       | 10 | 9     | 8     | 7        | 6  | 5    | 4    | 3        | 2      | 1      | 0      |
|       | reserved | I2C1 | reserved | I2C0 | reserved |    |       |       |          |    | SSI1 | SSI0 | reserved | UART2  | UART1  | UART0  |
| Type  | RO       | RO   | RO       | RO   | RO       | RO | RO    | RO    | RO       | RO | RO   | RO   | RO       | RO     | RO     | RO     |
| Reset | 0        | 1    | 0        | 1    | 0        | 0  | 0     | 0     | 0        | 0  | 0    | 1    | 1        | 0      | 1      | 1      |

| Bit/Field | Name     | Type | Reset | Description   |
|-----------|----------|------|-------|---|
| 31:26     | reserved | RO   | 0     | Software should not rely on the value of a reserved bit. To provide compatibility with future products, the value of a reserved bit should be preserved across a read-modify-write operation. |
| 25        | COMP1    | RO   | 1     | Analog Comparator 1 Present<br>When set, indicates that analog comparator 1 is present.   |
| 24        | COMP0    | RO   | 1     | Analog Comparator 0 Present<br>When set, indicates that analog comparator 0 is present.   |
| 23:20     | reserved | RO   | 0     | Software should not rely on the value of a reserved bit. To provide compatibility with future products, the value of a reserved bit should be preserved across a read-modify-write operation. |
| 19        | TIMER3   | RO   | 1     | Timer 3 Present<br>When set, indicates that General-Purpose Timer module 3 is present.  |
| 18        | TIMER2   | RO   | 1     | Timer 2 Present<br>When set, indicates that General-Purpose Timer module 2 is present.  |
| 17        | TIMER1   | RO   | 1     | Timer 1 Present<br>When set, indicates that General-Purpose Timer module 1 is present.  |
| 16        | TIMER0   | RO   | 1     | Timer 0 Present<br>When set, indicates that General-Purpose Timer module 0 is present.  |
| 15        | reserved | RO   | 0     | Software should not rely on the value of a reserved bit. To provide compatibility with future products, the value of a reserved bit should be preserved across a read-modify-write operation. |
| 14        | I2C1     | RO   | 1     | I2C Module 1 Present<br>When set, indicates that I2C module 1 is present.   |

| Bit/Field | Name     | Type | Reset | Description   |
|-----------|----------|------|-------|---|
| 13        | reserved | RO   | 0     | Software should not rely on the value of a reserved bit. To provide compatibility with future products, the value of a reserved bit should be preserved across a read-modify-write operation. |
| 12        | I2C0     | RO   | 1     | I2C Module 0 Present<br>When set, indicates that I2C module 0 is present.   |
| 11:6      | reserved | RO   | 0     | Software should not rely on the value of a reserved bit. To provide compatibility with future products, the value of a reserved bit should be preserved across a read-modify-write operation. |
| 5         | SSI1     | RO   | 1     | SSI1 Present<br>When set, indicates that SSI module 1 is present.   |
| 4         | SSI0     | RO   | 1     | SSI0 Present<br>When set, indicates that SSI module 0 is present.   |
| 3         | reserved | RO   | 0     | Software should not rely on the value of a reserved bit. To provide compatibility with future products, the value of a reserved bit should be preserved across a read-modify-write operation. |
| 2         | UART2    | RO   | 1     | UART2 Present<br>When set, indicates that UART module 2 is present.   |
| 1         | UART1    | RO   | 1     | UART1 Present<br>When set, indicates that UART module 1 is present.   |
| 0         | UART0    | RO   | 1     | UART0 Present<br>When set, indicates that UART module 0 is present.   |



## Register 16: Device Capabilities 3 (DC3), offset 0x018

This register provides a list of features available in the system. The Stellaris family uses this register format to indicate the availability of the following family features in the specific device: Analog Comparator I/Os, CCP I/Os, ADC I/Os, and PWM I/Os.

### Device Capabilities 3 (DC3)

Base 0x400F.E000

Offset 0x018

Type RO, reset 0xBF00.0FC0

|       |          |          |      |      |      |        |         |      |          |         |          |    |    |    |    |    |
|-------|----------|----------|------|------|------|--------|---------|------|----------|---------|----------|----|----|----|----|----|
|       | 31       | 30       | 29   | 28   | 27   | 26     | 25      | 24   | 23       | 22      | 21       | 20 | 19 | 18 | 17 | 16 |
|       | 32KHZ    | reserved | CCP5 | CCP4 | CCP3 | CCP2   | CCP1    | CCP0 | reserved |         |          |    |    |    |    |    |
| Type  | RO       | RO       | RO   | RO   | RO   | RO     | RO      | RO   | RO       | RO      | RO       | RO | RO | RO | RO | RO |
| Reset | 1        | 0        | 1    | 1    | 1    | 1      | 1       | 1    | 0        | 0       | 0        | 0  | 0  | 0  | 0  | 0  |
|       | 15       | 14       | 13   | 12   | 11   | 10     | 9       | 8    | 7        | 6       | 5        | 4  | 3  | 2  | 1  | 0  |
|       | reserved |          |      |      | C10  | C1PLUS | C1MINUS | C00  | C0PLUS   | C0MINUS | reserved |    |    |    |    |    |
| Type  | RO       | RO       | RO   | RO   | RO   | RO     | RO      | RO   | RO       | RO      | RO       | RO | RO | RO | RO | RO |
| Reset | 0        | 0        | 0    | 0    | 1    | 1      | 1       | 1    | 1        | 1       | 0        | 0  | 0  | 0  | 0  | 0  |

| Bit/Field | Name     | Type | Reset | Description   |
|-----------|----------|------|-------|---|
| 31        | 32KHZ    | RO   | 1     | 32KHz Input Clock Available<br>When set, indicates an even CCP pin is present and can be used as a 32-KHz input clock.  |
| 30        | reserved | RO   | 0     | Software should not rely on the value of a reserved bit. To provide compatibility with future products, the value of a reserved bit should be preserved across a read-modify-write operation. |
| 29        | CCP5     | RO   | 1     | CCP5 Pin Present<br>When set, indicates that Capture/Compare/PWM pin 5 is present.  |
| 28        | CCP4     | RO   | 1     | CCP4 Pin Present<br>When set, indicates that Capture/Compare/PWM pin 4 is present.  |
| 27        | CCP3     | RO   | 1     | CCP3 Pin Present<br>When set, indicates that Capture/Compare/PWM pin 3 is present.  |
| 26        | CCP2     | RO   | 1     | CCP2 Pin Present<br>When set, indicates that Capture/Compare/PWM pin 2 is present.  |
| 25        | CCP1     | RO   | 1     | CCP1 Pin Present<br>When set, indicates that Capture/Compare/PWM pin 1 is present.  |
| 24        | CCP0     | RO   | 1     | CCP0 Pin Present<br>When set, indicates that Capture/Compare/PWM pin 0 is present.  |
| 23:12     | reserved | RO   | 0     | Software should not rely on the value of a reserved bit. To provide compatibility with future products, the value of a reserved bit should be preserved across a read-modify-write operation. |
| 11        | C10      | RO   | 1     | C1o Pin Present<br>When set, indicates that the analog comparator 1 output pin is present.  |

| Bit/Field | Name     | Type | Reset | Description   |
|-----------|----------|------|-------|---|
| 10        | C1PLUS   | RO   | 1     | C1+ Pin Present<br>When set, indicates that the analog comparator 1 (+) input pin is present.   |
| 9         | C1MINUS  | RO   | 1     | C1- Pin Present<br>When set, indicates that the analog comparator 1 (-) input pin is present.   |
| 8         | C0O      | RO   | 1     | C0o Pin Present<br>When set, indicates that the analog comparator 0 output pin is present.  |
| 7         | C0PLUS   | RO   | 1     | C0+ Pin Present<br>When set, indicates that the analog comparator 0 (+) input pin is present.   |
| 6         | C0MINUS  | RO   | 1     | C0- Pin Present<br>When set, indicates that the analog comparator 0 (-) input pin is present.   |
| 5:0       | reserved | RO   | 0     | Software should not rely on the value of a reserved bit. To provide compatibility with future products, the value of a reserved bit should be preserved across a read-modify-write operation. |

## Register 17: Device Capabilities 4 (DC4), offset 0x01C

This register provides a list of features available in the system. The Stellaris family uses this register format to indicate the availability of the following family features in the specific device: Ethernet MAC and PHY, GPIOs, and CCP I/Os. The format of this register is consistent with the **RCGC2**, **SCGC2**, and **DCGC2** clock control registers and the **SRCR2** software reset control register.

### Device Capabilities 4 (DC4)

Base 0x400F.E000  
Offset 0x01C  
Type RO, reset 0x5000.00FF

|       |          |       |          |       |          |    |    |    |       |       |       |       |       |       |       |       |
|-------|----------|-------|----------|-------|----------|----|----|----|-------|-------|-------|-------|-------|-------|-------|-------|
|       | 31       | 30    | 29       | 28    | 27       | 26 | 25 | 24 | 23    | 22    | 21    | 20    | 19    | 18    | 17    | 16    |
|       | reserved | EPHY0 | reserved | EMAC0 | reserved |    |    |    |       |       |       |       |       |       |       |       |
| Type  | RO       | RO    | RO       | RO    | RO       | RO | RO | RO | RO    | RO    | RO    | RO    | RO    | RO    | RO    | RO    |
| Reset | 0        | 1     | 0        | 1     | 0        | 0  | 0  | 0  | 0     | 0     | 0     | 0     | 0     | 0     | 0     | 0     |
|       | 15       | 14    | 13       | 12    | 11       | 10 | 9  | 8  | 7     | 6     | 5     | 4     | 3     | 2     | 1     | 0     |
|       | reserved |       |          |       |          |    |    |    | GPIOH | GPIOG | GPIOF | GPIOE | GIPOD | GPIOC | GPIOB | GPIOA |
| Type  | RO       | RO    | RO       | RO    | RO       | RO | RO | RO | RO    | RO    | RO    | RO    | RO    | RO    | RO    | RO    |
| Reset | 0        | 0     | 0        | 0     | 0        | 0  | 0  | 0  | 1     | 1     | 1     | 1     | 1     | 1     | 1     | 1     |

| Bit/Field | Name     | Type | Reset | Description   |
|-----------|----------|------|-------|---|
| 31        | reserved | RO   | 0     | Software should not rely on the value of a reserved bit. To provide compatibility with future products, the value of a reserved bit should be preserved across a read-modify-write operation. |
| 30        | EPHY0    | RO   | 1     | Ethernet PHY0 Present<br>When set, indicates that Ethernet PHY module 0 is present.   |
| 29        | reserved | RO   | 0     | Software should not rely on the value of a reserved bit. To provide compatibility with future products, the value of a reserved bit should be preserved across a read-modify-write operation. |
| 28        | EMAC0    | RO   | 1     | Ethernet MAC0 Present<br>When set, indicates that Ethernet MAC module 0 is present.   |
| 27:8      | reserved | RO   | 0     | Software should not rely on the value of a reserved bit. To provide compatibility with future products, the value of a reserved bit should be preserved across a read-modify-write operation. |
| 7         | GPIOH    | RO   | 1     | GPIO Port H Present<br>When set, indicates that GPIO Port H is present.   |
| 6         | GPIOG    | RO   | 1     | GPIO Port G Present<br>When set, indicates that GPIO Port G is present.   |
| 5         | GPIOF    | RO   | 1     | GPIO Port F Present<br>When set, indicates that GPIO Port F is present.   |
| 4         | GPIOE    | RO   | 1     | GPIO Port E Present<br>When set, indicates that GPIO Port E is present.   |
| 3         | GIPOD    | RO   | 1     | GPIO Port D Present<br>When set, indicates that GPIO Port D is present.   |

| Bit/Field | Name  | Type | Reset | Description   |
|-----------|-------|------|-------|---|
| 2         | GPIOC | RO   | 1     | GPIO Port C Present<br>When set, indicates that GPIO Port C is present. |
| 1         | GPIOB | RO   | 1     | GPIO Port B Present<br>When set, indicates that GPIO Port B is present. |
| 0         | GPIOA | RO   | 1     | GPIO Port A Present<br>When set, indicates that GPIO Port A is present. |

## Register 18: Run Mode Clock Gating Control Register 0 (RCGC0), offset 0x100

This register controls the clock gating logic. Each bit controls a clock enable for a given interface, function, or unit. If set, the unit receives a clock and functions. Otherwise, the unit is unclocked and disabled (saving power). If the unit is unclocked, reads or writes to the unit will generate a bus fault. The reset state of these bits is 0 (unclocked) unless otherwise noted, so that all functional units are disabled. It is the responsibility of software to enable the ports necessary for the application. Note that these registers may contain more bits than there are interfaces, functions, or units to control. This is to assure reasonable code compatibility with other family and future parts. **RCGC0** is the clock configuration register for running operation, **SCGC0** for Sleep operation, and **DCGC0** for Deep-Sleep operation. Setting the **ACG** bit in the **Run-Mode Clock Configuration (RCC)** register specifies that the system uses sleep modes.

### Run Mode Clock Gating Control Register 0 (RCGC0)

Base 0x400F.E000

Offset 0x100

Type R/W, reset 0x00000040

|       |          |    |    |    |    |    |    |    |    |    |     |     |          |     |     |          |  |
|-------|----------|----|----|----|----|----|----|----|----|----|-----|-----|----------|-----|-----|----------|--|
|       | 31       | 30 | 29 | 28 | 27 | 26 | 25 | 24 | 23 | 22 | 21  | 20  | 19       | 18  | 17  | 16       |  |
|       | reserved |    |    |    |    |    |    |    |    |    |     |     |          |     |     |          |  |
| Type  | RO       | RO | RO | RO | RO | RO | RO | RO | RO | RO | RO  | RO  | RO       | RO  | RO  | RO       |  |
| Reset | 0        | 0  | 0  | 0  | 0  | 0  | 0  | 0  | 0  | 0  | 0   | 0   | 0        | 0   | 0   | 0        |  |
|       | 15       | 14 | 13 | 12 | 11 | 10 | 9  | 8  | 7  | 6  | 5   | 4   | 3        | 2   | 1   | 0        |  |
|       | reserved |    |    |    |    |    |    |    |    |    |     | HIB | reserved |     | WDT | reserved |  |
| Type  | RO       | RO | RO | RO | RO | RO | RO | RO | RO | RO | R/W | RO  | RO       | R/W | RO  | RO       |  |
| Reset | 0        | 0  | 0  | 0  | 0  | 0  | 0  | 0  | 0  | 0  | 1   | 0   | 0        | 0   | 0   | 0        |  |

| Bit/Field | Name     | Type | Reset | Description   |
|-----------|----------|------|-------|---|
| 31:7      | reserved | RO   | 0     | Software should not rely on the value of a reserved bit. To provide compatibility with future products, the value of a reserved bit should be preserved across a read-modify-write operation.   |
| 6         | HIB      | R/W  | 1     | HIB Clock Gating Control<br><br>This bit controls the clock gating for the Hibernation module. If set, the unit receives a clock and functions. Otherwise, the unit is unclocked and disabled.  |
| 5:4       | reserved | RO   | 0     | Software should not rely on the value of a reserved bit. To provide compatibility with future products, the value of a reserved bit should be preserved across a read-modify-write operation.   |
| 3         | WDT      | R/W  | 0     | WDT Clock Gating Control<br><br>This bit controls the clock gating for the WDT module. If set, the unit receives a clock and functions. Otherwise, the unit is unclocked and disabled. If the unit is unclocked, a read or write to the unit generates a bus fault. |
| 2:0       | reserved | RO   | 0     | Software should not rely on the value of a reserved bit. To provide compatibility with future products, the value of a reserved bit should be preserved across a read-modify-write operation.   |

## Register 19: Sleep Mode Clock Gating Control Register 0 (SCGC0), offset 0x110

This register controls the clock gating logic. Each bit controls a clock enable for a given interface, function, or unit. If set, the unit receives a clock and functions. Otherwise, the unit is unlocked and disabled (saving power). If the unit is unlocked, reads or writes to the unit will generate a bus fault. The reset state of these bits is 0 (unlocked) unless otherwise noted, so that all functional units are disabled. It is the responsibility of software to enable the ports necessary for the application. Note that these registers may contain more bits than there are interfaces, functions, or units to control. This is to assure reasonable code compatibility with other family and future parts. **RCGC0** is the clock configuration register for running operation, **SCGC0** for Sleep operation, and **DCGC0** for Deep-Sleep operation. Setting the **ACG** bit in the **Run-Mode Clock Configuration (RCC)** register specifies that the system uses sleep modes.

### Sleep Mode Clock Gating Control Register 0 (SCGC0)

Base 0x400F.E000  
 Offset 0x110  
 Type R/W, reset 0x00000040

|       |          |    |    |    |    |    |    |    |    |    |     |          |    |     |          |    |
|-------|----------|----|----|----|----|----|----|----|----|----|-----|----------|----|-----|----------|----|
|       | 31       | 30 | 29 | 28 | 27 | 26 | 25 | 24 | 23 | 22 | 21  | 20       | 19 | 18  | 17       | 16 |
|       | reserved |    |    |    |    |    |    |    |    |    |     |          |    |     |          |    |
| Type  | RO       | RO | RO | RO | RO | RO | RO | RO | RO | RO | RO  | RO       | RO | RO  | RO       | RO |
| Reset | 0        | 0  | 0  | 0  | 0  | 0  | 0  | 0  | 0  | 0  | 0   | 0        | 0  | 0   | 0        | 0  |
|       | 15       | 14 | 13 | 12 | 11 | 10 | 9  | 8  | 7  | 6  | 5   | 4        | 3  | 2   | 1        | 0  |
|       | reserved |    |    |    |    |    |    |    |    |    | HIB | reserved |    | WDT | reserved |    |
| Type  | RO       | RO | RO | RO | RO | RO | RO | RO | RO | RO | R/W | RO       | RO | R/W | RO       | RO |
| Reset | 0        | 0  | 0  | 0  | 0  | 0  | 0  | 0  | 0  | 0  | 1   | 0        | 0  | 0   | 0        | 0  |

| Bit/Field | Name     | Type | Reset | Description   |
|-----------|----------|------|-------|---|
| 31:7      | reserved | RO   | 0     | Software should not rely on the value of a reserved bit. To provide compatibility with future products, the value of a reserved bit should be preserved across a read-modify-write operation.   |
| 6         | HIB      | R/W  | 1     | HIB Clock Gating Control<br><br>This bit controls the clock gating for the Hibernation module. If set, the unit receives a clock and functions. Otherwise, the unit is unlocked and disabled.   |
| 5:4       | reserved | RO   | 0     | Software should not rely on the value of a reserved bit. To provide compatibility with future products, the value of a reserved bit should be preserved across a read-modify-write operation.   |
| 3         | WDT      | R/W  | 0     | WDT Clock Gating Control<br><br>This bit controls the clock gating for the WDT module. If set, the unit receives a clock and functions. Otherwise, the unit is unlocked and disabled. If the unit is unlocked, a read or write to the unit generates a bus fault. |
| 2:0       | reserved | RO   | 0     | Software should not rely on the value of a reserved bit. To provide compatibility with future products, the value of a reserved bit should be preserved across a read-modify-write operation.   |

## Register 20: Deep Sleep Mode Clock Gating Control Register 0 (DCGC0), offset 0x120

This register controls the clock gating logic. Each bit controls a clock enable for a given interface, function, or unit. If set, the unit receives a clock and functions. Otherwise, the unit is unlocked and disabled (saving power). If the unit is unlocked, reads or writes to the unit will generate a bus fault. The reset state of these bits is 0 (unlocked) unless otherwise noted, so that all functional units are disabled. It is the responsibility of software to enable the ports necessary for the application. Note that these registers may contain more bits than there are interfaces, functions, or units to control. This is to assure reasonable code compatibility with other family and future parts. **RCGC0** is the clock configuration register for running operation, **SCGC0** for Sleep operation, and **DCGC0** for Deep-Sleep operation. Setting the **ACG** bit in the **Run-Mode Clock Configuration (RCC)** register specifies that the system uses sleep modes.

### Deep Sleep Mode Clock Gating Control Register 0 (DCGC0)

Base 0x400F.E000

Offset 0x120

Type R/W, reset 0x00000040

|       |          |    |    |    |    |    |    |    |    |    |     |          |    |     |          |    |    |
|-------|----------|----|----|----|----|----|----|----|----|----|-----|----------|----|-----|----------|----|----|
|       | 31       | 30 | 29 | 28 | 27 | 26 | 25 | 24 | 23 | 22 | 21  | 20       | 19 | 18  | 17       | 16 |    |
|       | reserved |    |    |    |    |    |    |    |    |    |     |          |    |     |          |    |    |
| Type  | RO       | RO | RO | RO | RO | RO | RO | RO | RO | RO | RO  | RO       | RO | RO  | RO       | RO |    |
| Reset | 0        | 0  | 0  | 0  | 0  | 0  | 0  | 0  | 0  | 0  | 0   | 0        | 0  | 0   | 0        | 0  |    |
|       | 15       | 14 | 13 | 12 | 11 | 10 | 9  | 8  | 7  | 6  | 5   | 4        | 3  | 2   | 1        | 0  |    |
|       | reserved |    |    |    |    |    |    |    |    |    | HIB | reserved |    | WDT | reserved |    |    |
| Type  | RO       | RO | RO | RO | RO | RO | RO | RO | RO | RO | R/W | RO       | RO | R/W | RO       | RO | RO |
| Reset | 0        | 0  | 0  | 0  | 0  | 0  | 0  | 0  | 0  | 0  | 1   | 0        | 0  | 0   | 0        | 0  | 0  |

| Bit/Field | Name     | Type | Reset | Description   |
|-----------|----------|------|-------|---|
| 31:7      | reserved | RO   | 0     | Software should not rely on the value of a reserved bit. To provide compatibility with future products, the value of a reserved bit should be preserved across a read-modify-write operation.   |
| 6         | HIB      | R/W  | 1     | HIB Clock Gating Control<br><br>This bit controls the clock gating for the Hibernation module. If set, the unit receives a clock and functions. Otherwise, the unit is unlocked and disabled.   |
| 5:4       | reserved | RO   | 0     | Software should not rely on the value of a reserved bit. To provide compatibility with future products, the value of a reserved bit should be preserved across a read-modify-write operation.   |
| 3         | WDT      | R/W  | 0     | WDT Clock Gating Control<br><br>This bit controls the clock gating for the WDT module. If set, the unit receives a clock and functions. Otherwise, the unit is unlocked and disabled. If the unit is unlocked, a read or write to the unit generates a bus fault. |
| 2:0       | reserved | RO   | 0     | Software should not rely on the value of a reserved bit. To provide compatibility with future products, the value of a reserved bit should be preserved across a read-modify-write operation.   |

## Register 21: Run Mode Clock Gating Control Register 1 (RCGC1), offset 0x104

This register controls the clock gating logic. Each bit controls a clock enable for a given interface, function, or unit. If set, the unit receives a clock and functions. Otherwise, the unit is unlocked and disabled (saving power). If the unit is unlocked, reads or writes to the unit will generate a bus fault. The reset state of these bits is 0 (unlocked) unless otherwise noted, so that all functional units are disabled. It is the responsibility of software to enable the ports necessary for the application. Note that these registers may contain more bits than there are interfaces, functions, or units to control. This is to assure reasonable code compatibility with other family and future parts. **RCGC1** is the clock configuration register for running operation, **SCGC1** for Sleep operation, and **DCGC1** for Deep-Sleep operation. Setting the **ACG** bit in the **Run-Mode Clock Configuration (RCC)** register specifies that the system uses sleep modes.

### Run Mode Clock Gating Control Register 1 (RCGC1)

Base 0x400F.E000  
 Offset 0x104  
 Type R/W, reset 0x00000000

|       |          |      |          |      |          |    |       |       |          |    |      |      |          |        |        |        |
|-------|----------|------|----------|------|----------|----|-------|-------|----------|----|------|------|----------|--------|--------|--------|
|       | 31       | 30   | 29       | 28   | 27       | 26 | 25    | 24    | 23       | 22 | 21   | 20   | 19       | 18     | 17     | 16     |
|       | reserved |      |          |      |          |    | COMP1 | COMP0 | reserved |    |      |      | TIMER3   | TIMER2 | TIMER1 | TIMER0 |
| Type  | RO       | RO   | RO       | RO   | RO       | RO | R/W   | R/W   | RO       | RO | RO   | RO   | R/W      | R/W    | R/W    | R/W    |
| Reset | 0        | 0    | 0        | 0    | 0        | 0  | 0     | 0     | 0        | 0  | 0    | 0    | 0        | 0      | 0      | 0      |
|       | 15       | 14   | 13       | 12   | 11       | 10 | 9     | 8     | 7        | 6  | 5    | 4    | 3        | 2      | 1      | 0      |
|       | reserved | I2C1 | reserved | I2C0 | reserved |    |       |       |          |    | SSI1 | SSI0 | reserved | UART2  | UART1  | UART0  |
| Type  | RO       | R/W  | RO       | R/W  | RO       | RO | RO    | RO    | RO       | RO | R/W  | R/W  | RO       | R/W    | R/W    | R/W    |
| Reset | 0        | 0    | 0        | 0    | 0        | 0  | 0     | 0     | 0        | 0  | 0    | 0    | 0        | 0      | 0      | 0      |

| Bit/Field | Name     | Type | Reset | Description   |
|-----------|----------|------|-------|---|
| 31:26     | reserved | RO   | 0     | Software should not rely on the value of a reserved bit. To provide compatibility with future products, the value of a reserved bit should be preserved across a read-modify-write operation.   |
| 25        | COMP1    | R/W  | 0     | Analog Comparator 1 Clock Gating<br><br>This bit controls the clock gating for analog comparator 1. If set, the unit receives a clock and functions. Otherwise, the unit is unlocked and disabled. If the unit is unlocked, reads or writes to the unit will generate a bus fault.        |
| 24        | COMP0    | R/W  | 0     | Analog Comparator 0 Clock Gating<br><br>This bit controls the clock gating for analog comparator 0. If set, the unit receives a clock and functions. Otherwise, the unit is unlocked and disabled. If the unit is unlocked, reads or writes to the unit will generate a bus fault.        |
| 23:20     | reserved | RO   | 0     | Software should not rely on the value of a reserved bit. To provide compatibility with future products, the value of a reserved bit should be preserved across a read-modify-write operation.   |
| 19        | TIMER3   | R/W  | 0     | Timer 3 Clock Gating Control<br><br>This bit controls the clock gating for General-Purpose Timer module 3. If set, the unit receives a clock and functions. Otherwise, the unit is unlocked and disabled. If the unit is unlocked, reads or writes to the unit will generate a bus fault. |



| Bit/Field | Name     | Type | Reset | Description  |
|-----------|----------|------|-------|--|
| 18        | TIMER2   | R/W  | 0     | <p>Timer 2 Clock Gating Control</p> <p>This bit controls the clock gating for General-Purpose Timer module 2. If set, the unit receives a clock and functions. Otherwise, the unit is unlocked and disabled. If the unit is unlocked, reads or writes to the unit will generate a bus fault.</p> |
| 17        | TIMER1   | R/W  | 0     | <p>Timer 1 Clock Gating Control</p> <p>This bit controls the clock gating for General-Purpose Timer module 1. If set, the unit receives a clock and functions. Otherwise, the unit is unlocked and disabled. If the unit is unlocked, reads or writes to the unit will generate a bus fault.</p> |
| 16        | TIMER0   | R/W  | 0     | <p>Timer 0 Clock Gating Control</p> <p>This bit controls the clock gating for General-Purpose Timer module 0. If set, the unit receives a clock and functions. Otherwise, the unit is unlocked and disabled. If the unit is unlocked, reads or writes to the unit will generate a bus fault.</p> |
| 15        | reserved | RO   | 0     | Software should not rely on the value of a reserved bit. To provide compatibility with future products, the value of a reserved bit should be preserved across a read-modify-write operation.  |
| 14        | I2C1     | R/W  | 0     | <p>I2C1 Clock Gating Control</p> <p>This bit controls the clock gating for I2C module 1. If set, the unit receives a clock and functions. Otherwise, the unit is unlocked and disabled. If the unit is unlocked, reads or writes to the unit will generate a bus fault.</p>                      |
| 13        | reserved | RO   | 0     | Software should not rely on the value of a reserved bit. To provide compatibility with future products, the value of a reserved bit should be preserved across a read-modify-write operation.  |
| 12        | I2C0     | R/W  | 0     | <p>I2C0 Clock Gating Control</p> <p>This bit controls the clock gating for I2C module 0. If set, the unit receives a clock and functions. Otherwise, the unit is unlocked and disabled. If the unit is unlocked, reads or writes to the unit will generate a bus fault.</p>                      |
| 11:6      | reserved | RO   | 0     | Software should not rely on the value of a reserved bit. To provide compatibility with future products, the value of a reserved bit should be preserved across a read-modify-write operation.  |
| 5         | SSI1     | R/W  | 0     | <p>SSI1 Clock Gating Control</p> <p>This bit controls the clock gating for SSI module 1. If set, the unit receives a clock and functions. Otherwise, the unit is unlocked and disabled. If the unit is unlocked, reads or writes to the unit will generate a bus fault.</p>                      |
| 4         | SSI0     | R/W  | 0     | <p>SSI0 Clock Gating Control</p> <p>This bit controls the clock gating for SSI module 0. If set, the unit receives a clock and functions. Otherwise, the unit is unlocked and disabled. If the unit is unlocked, reads or writes to the unit will generate a bus fault.</p>                      |
| 3         | reserved | RO   | 0     | Software should not rely on the value of a reserved bit. To provide compatibility with future products, the value of a reserved bit should be preserved across a read-modify-write operation.  |

| Bit/Field | Name  | Type | Reset | Description   |
|-----------|-------|------|-------|---|
| 2         | UART2 | R/W  | 0     | <b>UART2 Clock Gating Control</b><br><br>This bit controls the clock gating for UART module 2. If set, the unit receives a clock and functions. Otherwise, the unit is unlocked and disabled. If the unit is unlocked, reads or writes to the unit will generate a bus fault. |
| 1         | UART1 | R/W  | 0     | <b>UART1 Clock Gating Control</b><br><br>This bit controls the clock gating for UART module 1. If set, the unit receives a clock and functions. Otherwise, the unit is unlocked and disabled. If the unit is unlocked, reads or writes to the unit will generate a bus fault. |
| 0         | UART0 | R/W  | 0     | <b>UART0 Clock Gating Control</b><br><br>This bit controls the clock gating for UART module 0. If set, the unit receives a clock and functions. Otherwise, the unit is unlocked and disabled. If the unit is unlocked, reads or writes to the unit will generate a bus fault. |

## Register 22: Sleep Mode Clock Gating Control Register 1 (SCGC1), offset 0x114

This register controls the clock gating logic. Each bit controls a clock enable for a given interface, function, or unit. If set, the unit receives a clock and functions. Otherwise, the unit is unlocked and disabled (saving power). If the unit is unlocked, reads or writes to the unit will generate a bus fault. The reset state of these bits is 0 (unlocked) unless otherwise noted, so that all functional units are disabled. It is the responsibility of software to enable the ports necessary for the application. Note that these registers may contain more bits than there are interfaces, functions, or units to control. This is to assure reasonable code compatibility with other family and future parts. **RCGC1** is the clock configuration register for running operation, **SCGC1** for Sleep operation, and **DCGC1** for Deep-Sleep operation. Setting the **ACG** bit in the **Run-Mode Clock Configuration (RCC)** register specifies that the system uses sleep modes.

### Sleep Mode Clock Gating Control Register 1 (SCGC1)

Base 0x400F.E000

Offset 0x114

Type R/W, reset 0x00000000

|       |          |      |          |      |          |    |       |       |          |    |      |      |          |        |        |        |
|-------|----------|------|----------|------|----------|----|-------|-------|----------|----|------|------|----------|--------|--------|--------|
|       | 31       | 30   | 29       | 28   | 27       | 26 | 25    | 24    | 23       | 22 | 21   | 20   | 19       | 18     | 17     | 16     |
|       | reserved |      |          |      |          |    | COMP1 | COMP0 | reserved |    |      |      | TIMER3   | TIMER2 | TIMER1 | TIMER0 |
| Type  | RO       | RO   | RO       | RO   | RO       | RO | R/W   | R/W   | RO       | RO | RO   | RO   | R/W      | R/W    | R/W    | R/W    |
| Reset | 0        | 0    | 0        | 0    | 0        | 0  | 0     | 0     | 0        | 0  | 0    | 0    | 0        | 0      | 0      | 0      |
|       | 15       | 14   | 13       | 12   | 11       | 10 | 9     | 8     | 7        | 6  | 5    | 4    | 3        | 2      | 1      | 0      |
|       | reserved | I2C1 | reserved | I2C0 | reserved |    |       |       |          |    | SSI1 | SSI0 | reserved | UART2  | UART1  | UART0  |
| Type  | RO       | R/W  | RO       | R/W  | RO       | RO | RO    | RO    | RO       | RO | R/W  | R/W  | RO       | R/W    | R/W    | R/W    |
| Reset | 0        | 0    | 0        | 0    | 0        | 0  | 0     | 0     | 0        | 0  | 0    | 0    | 0        | 0      | 0      | 0      |

| Bit/Field | Name     | Type | Reset | Description   |
|-----------|----------|------|-------|---|
| 31:26     | reserved | RO   | 0     | Software should not rely on the value of a reserved bit. To provide compatibility with future products, the value of a reserved bit should be preserved across a read-modify-write operation.   |
| 25        | COMP1    | R/W  | 0     | Analog Comparator 1 Clock Gating<br><br>This bit controls the clock gating for analog comparator 1. If set, the unit receives a clock and functions. Otherwise, the unit is unlocked and disabled. If the unit is unlocked, reads or writes to the unit will generate a bus fault.        |
| 24        | COMP0    | R/W  | 0     | Analog Comparator 0 Clock Gating<br><br>This bit controls the clock gating for analog comparator 0. If set, the unit receives a clock and functions. Otherwise, the unit is unlocked and disabled. If the unit is unlocked, reads or writes to the unit will generate a bus fault.        |
| 23:20     | reserved | RO   | 0     | Software should not rely on the value of a reserved bit. To provide compatibility with future products, the value of a reserved bit should be preserved across a read-modify-write operation.   |
| 19        | TIMER3   | R/W  | 0     | Timer 3 Clock Gating Control<br><br>This bit controls the clock gating for General-Purpose Timer module 3. If set, the unit receives a clock and functions. Otherwise, the unit is unlocked and disabled. If the unit is unlocked, reads or writes to the unit will generate a bus fault. |

| Bit/Field | Name     | Type | Reset | Description  |
|-----------|----------|------|-------|--|
| 18        | TIMER2   | R/W  | 0     | <p>Timer 2 Clock Gating Control</p> <p>This bit controls the clock gating for General-Purpose Timer module 2. If set, the unit receives a clock and functions. Otherwise, the unit is unlocked and disabled. If the unit is unlocked, reads or writes to the unit will generate a bus fault.</p> |
| 17        | TIMER1   | R/W  | 0     | <p>Timer 1 Clock Gating Control</p> <p>This bit controls the clock gating for General-Purpose Timer module 1. If set, the unit receives a clock and functions. Otherwise, the unit is unlocked and disabled. If the unit is unlocked, reads or writes to the unit will generate a bus fault.</p> |
| 16        | TIMER0   | R/W  | 0     | <p>Timer 0 Clock Gating Control</p> <p>This bit controls the clock gating for General-Purpose Timer module 0. If set, the unit receives a clock and functions. Otherwise, the unit is unlocked and disabled. If the unit is unlocked, reads or writes to the unit will generate a bus fault.</p> |
| 15        | reserved | RO   | 0     | Software should not rely on the value of a reserved bit. To provide compatibility with future products, the value of a reserved bit should be preserved across a read-modify-write operation.  |
| 14        | I2C1     | R/W  | 0     | <p>I2C1 Clock Gating Control</p> <p>This bit controls the clock gating for I2C module 1. If set, the unit receives a clock and functions. Otherwise, the unit is unlocked and disabled. If the unit is unlocked, reads or writes to the unit will generate a bus fault.</p>                      |
| 13        | reserved | RO   | 0     | Software should not rely on the value of a reserved bit. To provide compatibility with future products, the value of a reserved bit should be preserved across a read-modify-write operation.  |
| 12        | I2C0     | R/W  | 0     | <p>I2C0 Clock Gating Control</p> <p>This bit controls the clock gating for I2C module 0. If set, the unit receives a clock and functions. Otherwise, the unit is unlocked and disabled. If the unit is unlocked, reads or writes to the unit will generate a bus fault.</p>                      |
| 11:6      | reserved | RO   | 0     | Software should not rely on the value of a reserved bit. To provide compatibility with future products, the value of a reserved bit should be preserved across a read-modify-write operation.  |
| 5         | SSI1     | R/W  | 0     | <p>SSI1 Clock Gating Control</p> <p>This bit controls the clock gating for SSI module 1. If set, the unit receives a clock and functions. Otherwise, the unit is unlocked and disabled. If the unit is unlocked, reads or writes to the unit will generate a bus fault.</p>                      |
| 4         | SSI0     | R/W  | 0     | <p>SSI0 Clock Gating Control</p> <p>This bit controls the clock gating for SSI module 0. If set, the unit receives a clock and functions. Otherwise, the unit is unlocked and disabled. If the unit is unlocked, reads or writes to the unit will generate a bus fault.</p>                      |
| 3         | reserved | RO   | 0     | Software should not rely on the value of a reserved bit. To provide compatibility with future products, the value of a reserved bit should be preserved across a read-modify-write operation.  |

---

| Bit/Field | Name  | Type | Reset | Description   |
|-----------|-------|------|-------|---|
| 2         | UART2 | R/W  | 0     | <p>UART2 Clock Gating Control</p> <p>This bit controls the clock gating for UART module 2. If set, the unit receives a clock and functions. Otherwise, the unit is unlocked and disabled. If the unit is unlocked, reads or writes to the unit will generate a bus fault.</p> |
| 1         | UART1 | R/W  | 0     | <p>UART1 Clock Gating Control</p> <p>This bit controls the clock gating for UART module 1. If set, the unit receives a clock and functions. Otherwise, the unit is unlocked and disabled. If the unit is unlocked, reads or writes to the unit will generate a bus fault.</p> |
| 0         | UART0 | R/W  | 0     | <p>UART0 Clock Gating Control</p> <p>This bit controls the clock gating for UART module 0. If set, the unit receives a clock and functions. Otherwise, the unit is unlocked and disabled. If the unit is unlocked, reads or writes to the unit will generate a bus fault.</p> |

### Register 23: Deep Sleep Mode Clock Gating Control Register 1 (DCGC1), offset 0x124

This register controls the clock gating logic. Each bit controls a clock enable for a given interface, function, or unit. If set, the unit receives a clock and functions. Otherwise, the unit is unlocked and disabled (saving power). If the unit is unlocked, reads or writes to the unit will generate a bus fault. The reset state of these bits is 0 (unlocked) unless otherwise noted, so that all functional units are disabled. It is the responsibility of software to enable the ports necessary for the application. Note that these registers may contain more bits than there are interfaces, functions, or units to control. This is to assure reasonable code compatibility with other family and future parts. **RCGC1** is the clock configuration register for running operation, **SCGC1** for Sleep operation, and **DCGC1** for Deep-Sleep operation. Setting the **ACG** bit in the **Run-Mode Clock Configuration (RCC)** register specifies that the system uses sleep modes.

#### Deep Sleep Mode Clock Gating Control Register 1 (DCGC1)

Base 0x400F.E000  
 Offset 0x124  
 Type R/W, reset 0x00000000

|       |          |      |          |      |          |    |       |       |          |    |      |      |          |        |        |        |
|-------|----------|------|----------|------|----------|----|-------|-------|----------|----|------|------|----------|--------|--------|--------|
|       | 31       | 30   | 29       | 28   | 27       | 26 | 25    | 24    | 23       | 22 | 21   | 20   | 19       | 18     | 17     | 16     |
|       | reserved |      |          |      |          |    | COMP1 | COMP0 | reserved |    |      |      | TIMER3   | TIMER2 | TIMER1 | TIMER0 |
| Type  | RO       | RO   | RO       | RO   | RO       | RO | R/W   | R/W   | RO       | RO | RO   | RO   | R/W      | R/W    | R/W    | R/W    |
| Reset | 0        | 0    | 0        | 0    | 0        | 0  | 0     | 0     | 0        | 0  | 0    | 0    | 0        | 0      | 0      | 0      |
|       | 15       | 14   | 13       | 12   | 11       | 10 | 9     | 8     | 7        | 6  | 5    | 4    | 3        | 2      | 1      | 0      |
|       | reserved | I2C1 | reserved | I2C0 | reserved |    |       |       |          |    | SSI1 | SSI0 | reserved | UART2  | UART1  | UART0  |
| Type  | RO       | R/W  | RO       | R/W  | RO       | RO | RO    | RO    | RO       | RO | R/W  | R/W  | RO       | R/W    | R/W    | R/W    |
| Reset | 0        | 0    | 0        | 0    | 0        | 0  | 0     | 0     | 0        | 0  | 0    | 0    | 0        | 0      | 0      | 0      |

| Bit/Field | Name     | Type | Reset | Description   |
|-----------|----------|------|-------|---|
| 31:26     | reserved | RO   | 0     | Software should not rely on the value of a reserved bit. To provide compatibility with future products, the value of a reserved bit should be preserved across a read-modify-write operation.   |
| 25        | COMP1    | R/W  | 0     | Analog Comparator 1 Clock Gating<br><br>This bit controls the clock gating for analog comparator 1. If set, the unit receives a clock and functions. Otherwise, the unit is unlocked and disabled. If the unit is unlocked, reads or writes to the unit will generate a bus fault.        |
| 24        | COMP0    | R/W  | 0     | Analog Comparator 0 Clock Gating<br><br>This bit controls the clock gating for analog comparator 0. If set, the unit receives a clock and functions. Otherwise, the unit is unlocked and disabled. If the unit is unlocked, reads or writes to the unit will generate a bus fault.        |
| 23:20     | reserved | RO   | 0     | Software should not rely on the value of a reserved bit. To provide compatibility with future products, the value of a reserved bit should be preserved across a read-modify-write operation.   |
| 19        | TIMER3   | R/W  | 0     | Timer 3 Clock Gating Control<br><br>This bit controls the clock gating for General-Purpose Timer module 3. If set, the unit receives a clock and functions. Otherwise, the unit is unlocked and disabled. If the unit is unlocked, reads or writes to the unit will generate a bus fault. |

| Bit/Field | Name     | Type | Reset | Description  |
|-----------|----------|------|-------|--|
| 18        | TIMER2   | R/W  | 0     | <p>Timer 2 Clock Gating Control</p> <p>This bit controls the clock gating for General-Purpose Timer module 2. If set, the unit receives a clock and functions. Otherwise, the unit is unlocked and disabled. If the unit is unlocked, reads or writes to the unit will generate a bus fault.</p> |
| 17        | TIMER1   | R/W  | 0     | <p>Timer 1 Clock Gating Control</p> <p>This bit controls the clock gating for General-Purpose Timer module 1. If set, the unit receives a clock and functions. Otherwise, the unit is unlocked and disabled. If the unit is unlocked, reads or writes to the unit will generate a bus fault.</p> |
| 16        | TIMER0   | R/W  | 0     | <p>Timer 0 Clock Gating Control</p> <p>This bit controls the clock gating for General-Purpose Timer module 0. If set, the unit receives a clock and functions. Otherwise, the unit is unlocked and disabled. If the unit is unlocked, reads or writes to the unit will generate a bus fault.</p> |
| 15        | reserved | RO   | 0     | Software should not rely on the value of a reserved bit. To provide compatibility with future products, the value of a reserved bit should be preserved across a read-modify-write operation.  |
| 14        | I2C1     | R/W  | 0     | <p>I2C1 Clock Gating Control</p> <p>This bit controls the clock gating for I2C module 1. If set, the unit receives a clock and functions. Otherwise, the unit is unlocked and disabled. If the unit is unlocked, reads or writes to the unit will generate a bus fault.</p>                      |
| 13        | reserved | RO   | 0     | Software should not rely on the value of a reserved bit. To provide compatibility with future products, the value of a reserved bit should be preserved across a read-modify-write operation.  |
| 12        | I2C0     | R/W  | 0     | <p>I2C0 Clock Gating Control</p> <p>This bit controls the clock gating for I2C module 0. If set, the unit receives a clock and functions. Otherwise, the unit is unlocked and disabled. If the unit is unlocked, reads or writes to the unit will generate a bus fault.</p>                      |
| 11:6      | reserved | RO   | 0     | Software should not rely on the value of a reserved bit. To provide compatibility with future products, the value of a reserved bit should be preserved across a read-modify-write operation.  |
| 5         | SSI1     | R/W  | 0     | <p>SSI1 Clock Gating Control</p> <p>This bit controls the clock gating for SSI module 1. If set, the unit receives a clock and functions. Otherwise, the unit is unlocked and disabled. If the unit is unlocked, reads or writes to the unit will generate a bus fault.</p>                      |
| 4         | SSI0     | R/W  | 0     | <p>SSI0 Clock Gating Control</p> <p>This bit controls the clock gating for SSI module 0. If set, the unit receives a clock and functions. Otherwise, the unit is unlocked and disabled. If the unit is unlocked, reads or writes to the unit will generate a bus fault.</p>                      |
| 3         | reserved | RO   | 0     | Software should not rely on the value of a reserved bit. To provide compatibility with future products, the value of a reserved bit should be preserved across a read-modify-write operation.  |

| Bit/Field | Name  | Type | Reset | Description   |
|-----------|-------|------|-------|---|
| 2         | UART2 | R/W  | 0     | <b>UART2 Clock Gating Control</b><br><br>This bit controls the clock gating for UART module 2. If set, the unit receives a clock and functions. Otherwise, the unit is unlocked and disabled. If the unit is unlocked, reads or writes to the unit will generate a bus fault. |
| 1         | UART1 | R/W  | 0     | <b>UART1 Clock Gating Control</b><br><br>This bit controls the clock gating for UART module 1. If set, the unit receives a clock and functions. Otherwise, the unit is unlocked and disabled. If the unit is unlocked, reads or writes to the unit will generate a bus fault. |
| 0         | UART0 | R/W  | 0     | <b>UART0 Clock Gating Control</b><br><br>This bit controls the clock gating for UART module 0. If set, the unit receives a clock and functions. Otherwise, the unit is unlocked and disabled. If the unit is unlocked, reads or writes to the unit will generate a bus fault. |



## Register 24: Run Mode Clock Gating Control Register 2 (RCGC2), offset 0x108

This register controls the clock gating logic. Each bit controls a clock enable for a given interface, function, or unit. If set, the unit receives a clock and functions. Otherwise, the unit is unlocked and disabled (saving power). If the unit is unlocked, reads or writes to the unit will generate a bus fault. The reset state of these bits is 0 (unlocked) unless otherwise noted, so that all functional units are disabled. It is the responsibility of software to enable the ports necessary for the application. Note that these registers may contain more bits than there are interfaces, functions, or units to control. This is to assure reasonable code compatibility with other family and future parts. **RCGC2** is the clock configuration register for running operation, **SCGC2** for Sleep operation, and **DCGC2** for Deep-Sleep operation. Setting the **ACG** bit in the **Run-Mode Clock Configuration (RCC)** register specifies that the system uses sleep modes.

### Run Mode Clock Gating Control Register 2 (RCGC2)

Base 0x400F.E000

Offset 0x108

Type R/W, reset 0x00000000

|       |          |       |          |       |          |    |    |    |       |       |       |       |       |       |       |       |
|-------|----------|-------|----------|-------|----------|----|----|----|-------|-------|-------|-------|-------|-------|-------|-------|
|       | 31       | 30    | 29       | 28    | 27       | 26 | 25 | 24 | 23    | 22    | 21    | 20    | 19    | 18    | 17    | 16    |
|       | reserved | EPHY0 | reserved | EMAC0 | reserved |    |    |    |       |       |       |       |       |       |       |       |
| Type  | RO       | R/W   | RO       | R/W   | RO       | RO | RO | RO | RO    | RO    | RO    | RO    | RO    | RO    | RO    | RO    |
| Reset | 0        | 0     | 0        | 0     | 0        | 0  | 0  | 0  | 0     | 0     | 0     | 0     | 0     | 0     | 0     | 0     |
|       | 15       | 14    | 13       | 12    | 11       | 10 | 9  | 8  | 7     | 6     | 5     | 4     | 3     | 2     | 1     | 0     |
|       | reserved |       |          |       |          |    |    |    | GPIOH | GPIOG | GPIOF | GPIOE | GPIOD | GPIOC | GPIOB | GPIOA |
| Type  | RO       | RO    | RO       | RO    | RO       | RO | RO | RO | R/W   | R/W   | R/W   | R/W   | R/W   | R/W   | R/W   | R/W   |
| Reset | 0        | 0     | 0        | 0     | 0        | 0  | 0  | 0  | 0     | 0     | 0     | 0     | 0     | 0     | 0     | 0     |

| Bit/Field | Name     | Type | Reset | Description   |
|-----------|----------|------|-------|---|
| 31        | reserved | RO   | 0     | Software should not rely on the value of a reserved bit. To provide compatibility with future products, the value of a reserved bit should be preserved across a read-modify-write operation.   |
| 30        | EPHY0    | R/W  | 0     | PHY0 Clock Gating Control<br><br>This bit controls the clock gating for Ethernet PHY unit 0. If set, the unit receives a clock and functions. Otherwise, the unit is unlocked and disabled. If the unit is unlocked, reads or writes to the unit will generate a bus fault. |
| 29        | reserved | RO   | 0     | Software should not rely on the value of a reserved bit. To provide compatibility with future products, the value of a reserved bit should be preserved across a read-modify-write operation.   |
| 28        | EMAC0    | R/W  | 0     | MAC0 Clock Gating Control<br><br>This bit controls the clock gating for Ethernet MAC unit 0. If set, the unit receives a clock and functions. Otherwise, the unit is unlocked and disabled. If the unit is unlocked, reads or writes to the unit will generate a bus fault. |
| 27:8      | reserved | RO   | 0     | Software should not rely on the value of a reserved bit. To provide compatibility with future products, the value of a reserved bit should be preserved across a read-modify-write operation.   |
| 7         | GPIOH    | R/W  | 0     | Port H Clock Gating Control<br><br>This bit controls the clock gating for Port H. If set, the unit receives a clock and functions. Otherwise, the unit is unlocked and disabled. If the unit is unlocked, reads or writes to the unit will generate a bus fault.            |

| Bit/Field | Name  | Type | Reset | Description  |
|-----------|-------|------|-------|--|
| 6         | GPIOG | R/W  | 0     | Port G Clock Gating Control<br><br>This bit controls the clock gating for Port G. If set, the unit receives a clock and functions. Otherwise, the unit is unlocked and disabled. If the unit is unlocked, reads or writes to the unit will generate a bus fault. |
| 5         | GPIOF | R/W  | 0     | Port F Clock Gating Control<br><br>This bit controls the clock gating for Port F. If set, the unit receives a clock and functions. Otherwise, the unit is unlocked and disabled. If the unit is unlocked, reads or writes to the unit will generate a bus fault. |
| 4         | GPIOE | R/W  | 0     | Port E Clock Gating Control<br><br>This bit controls the clock gating for Port E. If set, the unit receives a clock and functions. Otherwise, the unit is unlocked and disabled. If the unit is unlocked, reads or writes to the unit will generate a bus fault. |
| 3         | GPIOD | R/W  | 0     | Port D Clock Gating Control<br><br>This bit controls the clock gating for Port D. If set, the unit receives a clock and functions. Otherwise, the unit is unlocked and disabled. If the unit is unlocked, reads or writes to the unit will generate a bus fault. |
| 2         | GPIOC | R/W  | 0     | Port C Clock Gating Control<br><br>This bit controls the clock gating for Port C. If set, the unit receives a clock and functions. Otherwise, the unit is unlocked and disabled. If the unit is unlocked, reads or writes to the unit will generate a bus fault. |
| 1         | GPIOB | R/W  | 0     | Port B Clock Gating Control<br><br>This bit controls the clock gating for Port B. If set, the unit receives a clock and functions. Otherwise, the unit is unlocked and disabled. If the unit is unlocked, reads or writes to the unit will generate a bus fault. |
| 0         | GPIOA | R/W  | 0     | Port A Clock Gating Control<br><br>This bit controls the clock gating for Port A. If set, the unit receives a clock and functions. Otherwise, the unit is unlocked and disabled. If the unit is unlocked, reads or writes to the unit will generate a bus fault. |

## Register 25: Sleep Mode Clock Gating Control Register 2 (SCGC2), offset 0x118

This register controls the clock gating logic. Each bit controls a clock enable for a given interface, function, or unit. If set, the unit receives a clock and functions. Otherwise, the unit is unlocked and disabled (saving power). If the unit is unlocked, reads or writes to the unit will generate a bus fault. The reset state of these bits is 0 (unlocked) unless otherwise noted, so that all functional units are disabled. It is the responsibility of software to enable the ports necessary for the application. Note that these registers may contain more bits than there are interfaces, functions, or units to control. This is to assure reasonable code compatibility with other family and future parts. **RCGC2** is the clock configuration register for running operation, **SCGC2** for Sleep operation, and **DCGC2** for Deep-Sleep operation. Setting the **ACG** bit in the **Run-Mode Clock Configuration (RCC)** register specifies that the system uses sleep modes.

### Sleep Mode Clock Gating Control Register 2 (SCGC2)

Base 0x400F.E000  
Offset 0x118  
Type R/W, reset 0x00000000

|       |          |       |          |       |          |    |    |    |       |       |       |       |       |       |       |       |
|-------|----------|-------|----------|-------|----------|----|----|----|-------|-------|-------|-------|-------|-------|-------|-------|
|       | 31       | 30    | 29       | 28    | 27       | 26 | 25 | 24 | 23    | 22    | 21    | 20    | 19    | 18    | 17    | 16    |
|       | reserved | EPHY0 | reserved | EMAC0 | reserved |    |    |    |       |       |       |       |       |       |       |       |
| Type  | RO       | R/W   | RO       | R/W   | RO       | RO | RO | RO | RO    | RO    | RO    | RO    | RO    | RO    | RO    | RO    |
| Reset | 0        | 0     | 0        | 0     | 0        | 0  | 0  | 0  | 0     | 0     | 0     | 0     | 0     | 0     | 0     | 0     |
|       | 15       | 14    | 13       | 12    | 11       | 10 | 9  | 8  | 7     | 6     | 5     | 4     | 3     | 2     | 1     | 0     |
|       | reserved |       |          |       |          |    |    |    | GPIOH | GPIOG | GPIOF | GPIOE | GPIOD | GPIOC | GPIOB | GPIOA |
| Type  | RO       | RO    | RO       | RO    | RO       | RO | RO | RO | R/W   | R/W   | R/W   | R/W   | R/W   | R/W   | R/W   | R/W   |
| Reset | 0        | 0     | 0        | 0     | 0        | 0  | 0  | 0  | 0     | 0     | 0     | 0     | 0     | 0     | 0     | 0     |

| Bit/Field | Name     | Type | Reset | Description   |
|-----------|----------|------|-------|---|
| 31        | reserved | RO   | 0     | Software should not rely on the value of a reserved bit. To provide compatibility with future products, the value of a reserved bit should be preserved across a read-modify-write operation.   |
| 30        | EPHY0    | R/W  | 0     | PHY0 Clock Gating Control<br><br>This bit controls the clock gating for Ethernet PHY unit 0. If set, the unit receives a clock and functions. Otherwise, the unit is unlocked and disabled. If the unit is unlocked, reads or writes to the unit will generate a bus fault. |
| 29        | reserved | RO   | 0     | Software should not rely on the value of a reserved bit. To provide compatibility with future products, the value of a reserved bit should be preserved across a read-modify-write operation.   |
| 28        | EMAC0    | R/W  | 0     | MAC0 Clock Gating Control<br><br>This bit controls the clock gating for Ethernet MAC unit 0. If set, the unit receives a clock and functions. Otherwise, the unit is unlocked and disabled. If the unit is unlocked, reads or writes to the unit will generate a bus fault. |
| 27:8      | reserved | RO   | 0     | Software should not rely on the value of a reserved bit. To provide compatibility with future products, the value of a reserved bit should be preserved across a read-modify-write operation.   |

| Bit/Field | Name  | Type | Reset | Description  |
|-----------|-------|------|-------|--|
| 7         | GPIOH | R/W  | 0     | Port H Clock Gating Control<br><br>This bit controls the clock gating for Port H. If set, the unit receives a clock and functions. Otherwise, the unit is unlocked and disabled. If the unit is unlocked, reads or writes to the unit will generate a bus fault. |
| 6         | GPIOG | R/W  | 0     | Port G Clock Gating Control<br><br>This bit controls the clock gating for Port G. If set, the unit receives a clock and functions. Otherwise, the unit is unlocked and disabled. If the unit is unlocked, reads or writes to the unit will generate a bus fault. |
| 5         | GPIOF | R/W  | 0     | Port F Clock Gating Control<br><br>This bit controls the clock gating for Port F. If set, the unit receives a clock and functions. Otherwise, the unit is unlocked and disabled. If the unit is unlocked, reads or writes to the unit will generate a bus fault. |
| 4         | GPIOE | R/W  | 0     | Port E Clock Gating Control<br><br>This bit controls the clock gating for Port E. If set, the unit receives a clock and functions. Otherwise, the unit is unlocked and disabled. If the unit is unlocked, reads or writes to the unit will generate a bus fault. |
| 3         | GPIOD | R/W  | 0     | Port D Clock Gating Control<br><br>This bit controls the clock gating for Port D. If set, the unit receives a clock and functions. Otherwise, the unit is unlocked and disabled. If the unit is unlocked, reads or writes to the unit will generate a bus fault. |
| 2         | GPIOC | R/W  | 0     | Port C Clock Gating Control<br><br>This bit controls the clock gating for Port C. If set, the unit receives a clock and functions. Otherwise, the unit is unlocked and disabled. If the unit is unlocked, reads or writes to the unit will generate a bus fault. |
| 1         | GPIOB | R/W  | 0     | Port B Clock Gating Control<br><br>This bit controls the clock gating for Port B. If set, the unit receives a clock and functions. Otherwise, the unit is unlocked and disabled. If the unit is unlocked, reads or writes to the unit will generate a bus fault. |
| 0         | GPIOA | R/W  | 0     | Port A Clock Gating Control<br><br>This bit controls the clock gating for Port A. If set, the unit receives a clock and functions. Otherwise, the unit is unlocked and disabled. If the unit is unlocked, reads or writes to the unit will generate a bus fault. |

## Register 26: Deep Sleep Mode Clock Gating Control Register 2 (DCGC2), offset 0x128

This register controls the clock gating logic. Each bit controls a clock enable for a given interface, function, or unit. If set, the unit receives a clock and functions. Otherwise, the unit is unlocked and disabled (saving power). If the unit is unlocked, reads or writes to the unit will generate a bus fault. The reset state of these bits is 0 (unlocked) unless otherwise noted, so that all functional units are disabled. It is the responsibility of software to enable the ports necessary for the application. Note that these registers may contain more bits than there are interfaces, functions, or units to control. This is to assure reasonable code compatibility with other family and future parts. **RCGC2** is the clock configuration register for running operation, **SCGC2** for Sleep operation, and **DCGC2** for Deep-Sleep operation. Setting the **ACG** bit in the **Run-Mode Clock Configuration (RCC)** register specifies that the system uses sleep modes.

### Deep Sleep Mode Clock Gating Control Register 2 (DCGC2)

Base 0x400F.E000

Offset 0x128

Type R/W, reset 0x00000000

|       |          |       |          |       |          |    |    |    |       |       |       |       |       |       |       |       |
|-------|----------|-------|----------|-------|----------|----|----|----|-------|-------|-------|-------|-------|-------|-------|-------|
|       | 31       | 30    | 29       | 28    | 27       | 26 | 25 | 24 | 23    | 22    | 21    | 20    | 19    | 18    | 17    | 16    |
|       | reserved | EPHY0 | reserved | EMAC0 | reserved |    |    |    |       |       |       |       |       |       |       |       |
| Type  | RO       | R/W   | RO       | R/W   | RO       | RO | RO | RO | RO    | RO    | RO    | RO    | RO    | RO    | RO    | RO    |
| Reset | 0        | 0     | 0        | 0     | 0        | 0  | 0  | 0  | 0     | 0     | 0     | 0     | 0     | 0     | 0     | 0     |
|       | 15       | 14    | 13       | 12    | 11       | 10 | 9  | 8  | 7     | 6     | 5     | 4     | 3     | 2     | 1     | 0     |
|       | reserved |       |          |       |          |    |    |    | GPIOH | GPIOG | GPIOF | GPIOE | GIPOD | GPIOC | GPIOB | GPIOA |
| Type  | RO       | RO    | RO       | RO    | RO       | RO | RO | RO | R/W   | R/W   | R/W   | R/W   | R/W   | R/W   | R/W   | R/W   |
| Reset | 0        | 0     | 0        | 0     | 0        | 0  | 0  | 0  | 0     | 0     | 0     | 0     | 0     | 0     | 0     | 0     |

| Bit/Field | Name     | Type | Reset | Description   |
|-----------|----------|------|-------|---|
| 31        | reserved | RO   | 0     | Software should not rely on the value of a reserved bit. To provide compatibility with future products, the value of a reserved bit should be preserved across a read-modify-write operation.   |
| 30        | EPHY0    | R/W  | 0     | PHY0 Clock Gating Control<br><br>This bit controls the clock gating for Ethernet PHY unit 0. If set, the unit receives a clock and functions. Otherwise, the unit is unlocked and disabled. If the unit is unlocked, reads or writes to the unit will generate a bus fault. |
| 29        | reserved | RO   | 0     | Software should not rely on the value of a reserved bit. To provide compatibility with future products, the value of a reserved bit should be preserved across a read-modify-write operation.   |
| 28        | EMAC0    | R/W  | 0     | MAC0 Clock Gating Control<br><br>This bit controls the clock gating for Ethernet MAC unit 0. If set, the unit receives a clock and functions. Otherwise, the unit is unlocked and disabled. If the unit is unlocked, reads or writes to the unit will generate a bus fault. |
| 27:8      | reserved | RO   | 0     | Software should not rely on the value of a reserved bit. To provide compatibility with future products, the value of a reserved bit should be preserved across a read-modify-write operation.   |

| Bit/Field | Name  | Type | Reset | Description  |
|-----------|-------|------|-------|--|
| 7         | GPIOH | R/W  | 0     | Port H Clock Gating Control<br><br>This bit controls the clock gating for Port H. If set, the unit receives a clock and functions. Otherwise, the unit is unlocked and disabled. If the unit is unlocked, reads or writes to the unit will generate a bus fault. |
| 6         | GPIOG | R/W  | 0     | Port G Clock Gating Control<br><br>This bit controls the clock gating for Port G. If set, the unit receives a clock and functions. Otherwise, the unit is unlocked and disabled. If the unit is unlocked, reads or writes to the unit will generate a bus fault. |
| 5         | GPIOF | R/W  | 0     | Port F Clock Gating Control<br><br>This bit controls the clock gating for Port F. If set, the unit receives a clock and functions. Otherwise, the unit is unlocked and disabled. If the unit is unlocked, reads or writes to the unit will generate a bus fault. |
| 4         | GPIOE | R/W  | 0     | Port E Clock Gating Control<br><br>This bit controls the clock gating for Port E. If set, the unit receives a clock and functions. Otherwise, the unit is unlocked and disabled. If the unit is unlocked, reads or writes to the unit will generate a bus fault. |
| 3         | GPIOD | R/W  | 0     | Port D Clock Gating Control<br><br>This bit controls the clock gating for Port D. If set, the unit receives a clock and functions. Otherwise, the unit is unlocked and disabled. If the unit is unlocked, reads or writes to the unit will generate a bus fault. |
| 2         | GPIOC | R/W  | 0     | Port C Clock Gating Control<br><br>This bit controls the clock gating for Port C. If set, the unit receives a clock and functions. Otherwise, the unit is unlocked and disabled. If the unit is unlocked, reads or writes to the unit will generate a bus fault. |
| 1         | GPIOB | R/W  | 0     | Port B Clock Gating Control<br><br>This bit controls the clock gating for Port B. If set, the unit receives a clock and functions. Otherwise, the unit is unlocked and disabled. If the unit is unlocked, reads or writes to the unit will generate a bus fault. |
| 0         | GPIOA | R/W  | 0     | Port A Clock Gating Control<br><br>This bit controls the clock gating for Port A. If set, the unit receives a clock and functions. Otherwise, the unit is unlocked and disabled. If the unit is unlocked, reads or writes to the unit will generate a bus fault. |

**Register 27: Software Reset Control 0 (SRCR0), offset 0x040**Writes to this register are masked by the bits in the **Device Capabilities 1 (DC1)** register.**Software Reset Control 0 (SRCR0)**

Base 0x400F.E000

Offset 0x040

Type R/W, reset 0x00000000

|       |          |    |    |    |    |    |    |    |    |     |    |     |          |    |     |          |  |
|-------|----------|----|----|----|----|----|----|----|----|-----|----|-----|----------|----|-----|----------|--|
|       | 31       | 30 | 29 | 28 | 27 | 26 | 25 | 24 | 23 | 22  | 21 | 20  | 19       | 18 | 17  | 16       |  |
|       | reserved |    |    |    |    |    |    |    |    |     |    |     |          |    |     |          |  |
| Type  | RO       | RO | RO | RO | RO | RO | RO | RO | RO | RO  | RO | RO  | RO       | RO | RO  | RO       |  |
| Reset | 0        | 0  | 0  | 0  | 0  | 0  | 0  | 0  | 0  | 0   | 0  | 0   | 0        | 0  | 0   | 0        |  |
|       | 15       | 14 | 13 | 12 | 11 | 10 | 9  | 8  | 7  | 6   | 5  | 4   | 3        | 2  | 1   | 0        |  |
|       | reserved |    |    |    |    |    |    |    |    |     |    | HIB | reserved |    | WDT | reserved |  |
| Type  | RO       | RO | RO | RO | RO | RO | RO | RO | RO | R/W | RO | RO  | R/W      | RO | RO  | RO       |  |
| Reset | 0        | 0  | 0  | 0  | 0  | 0  | 0  | 0  | 0  | 0   | 0  | 0   | 0        | 0  | 0   | 0        |  |

| Bit/Field | Name     | Type | Reset | Description   |
|-----------|----------|------|-------|---|
| 31:7      | reserved | RO   | 0     | Software should not rely on the value of a reserved bit. To provide compatibility with future products, the value of a reserved bit should be preserved across a read-modify-write operation. |
| 6         | HIB      | R/W  | 0     | HIB Reset Control<br>Reset control for the Hibernation module.  |
| 5:4       | reserved | RO   | 0     | Software should not rely on the value of a reserved bit. To provide compatibility with future products, the value of a reserved bit should be preserved across a read-modify-write operation. |
| 3         | WDT      | R/W  | 0     | WDT Reset Control<br>Reset control for Watchdog unit.   |
| 2:0       | reserved | RO   | 0     | Software should not rely on the value of a reserved bit. To provide compatibility with future products, the value of a reserved bit should be preserved across a read-modify-write operation. |

## Register 28: Software Reset Control 1 (SRCR1), offset 0x044

Writes to this register are masked by the bits in the **Device Capabilities 2 (DC2)** register.

### Software Reset Control 1 (SRCR1)

Base 0x400F.E000

Offset 0x044

Type R/W, reset 0x00000000

|       |          |      |          |      |          |    |       |       |          |      |          |       |        |        |        |        |
|-------|----------|------|----------|------|----------|----|-------|-------|----------|------|----------|-------|--------|--------|--------|--------|
|       | 31       | 30   | 29       | 28   | 27       | 26 | 25    | 24    | 23       | 22   | 21       | 20    | 19     | 18     | 17     | 16     |
|       | reserved |      |          |      |          |    | COMP1 | COMP0 | reserved |      |          |       | TIMER3 | TIMER2 | TIMER1 | TIMER0 |
| Type  | RO       | RO   | RO       | RO   | RO       | RO | R/W   | R/W   | RO       | RO   | RO       | RO    | R/W    | R/W    | R/W    | R/W    |
| Reset | 0        | 0    | 0        | 0    | 0        | 0  | 0     | 0     | 0        | 0    | 0        | 0     | 0      | 0      | 0      | 0      |
|       | 15       | 14   | 13       | 12   | 11       | 10 | 9     | 8     | 7        | 6    | 5        | 4     | 3      | 2      | 1      | 0      |
|       | reserved | I2C1 | reserved | I2C0 | reserved |    |       |       | SSI1     | SSI0 | reserved | UART2 | UART1  | UART0  |        |        |
| Type  | RO       | R/W  | RO       | R/W  | RO       | RO | RO    | RO    | RO       | RO   | R/W      | R/W   | RO     | R/W    | R/W    | R/W    |
| Reset | 0        | 0    | 0        | 0    | 0        | 0  | 0     | 0     | 0        | 0    | 0        | 0     | 0      | 0      | 0      | 0      |

| Bit/Field | Name     | Type | Reset | Description   |
|-----------|----------|------|-------|---|
| 31:26     | reserved | RO   | 0     | Software should not rely on the value of a reserved bit. To provide compatibility with future products, the value of a reserved bit should be preserved across a read-modify-write operation. |
| 25        | COMP1    | R/W  | 0     | Analog Comp 1 Reset Control<br>Reset control for analog comparator 1.   |
| 24        | COMP0    | R/W  | 0     | Analog Comp 0 Reset Control<br>Reset control for analog comparator 0.   |
| 23:20     | reserved | RO   | 0     | Software should not rely on the value of a reserved bit. To provide compatibility with future products, the value of a reserved bit should be preserved across a read-modify-write operation. |
| 19        | TIMER3   | R/W  | 0     | Timer 3 Reset Control<br>Reset control for General-Purpose Timer module 3.  |
| 18        | TIMER2   | R/W  | 0     | Timer 2 Reset Control<br>Reset control for General-Purpose Timer module 2.  |
| 17        | TIMER1   | R/W  | 0     | Timer 1 Reset Control<br>Reset control for General-Purpose Timer module 1.  |
| 16        | TIMER0   | R/W  | 0     | Timer 0 Reset Control<br>Reset control for General-Purpose Timer module 0.  |
| 15        | reserved | RO   | 0     | Software should not rely on the value of a reserved bit. To provide compatibility with future products, the value of a reserved bit should be preserved across a read-modify-write operation. |
| 14        | I2C1     | R/W  | 0     | I2C1 Reset Control<br>Reset control for I2C unit 1.   |
| 13        | reserved | RO   | 0     | Software should not rely on the value of a reserved bit. To provide compatibility with future products, the value of a reserved bit should be preserved across a read-modify-write operation. |



---

| Bit/Field | Name     | Type | Reset | Description   |
|-----------|----------|------|-------|---|
| 12        | I2C0     | R/W  | 0     | I2C0 Reset Control<br>Reset control for I2C unit 0.   |
| 11:6      | reserved | RO   | 0     | Software should not rely on the value of a reserved bit. To provide compatibility with future products, the value of a reserved bit should be preserved across a read-modify-write operation. |
| 5         | SSI1     | R/W  | 0     | SSI1 Reset Control<br>Reset control for SSI unit 1.   |
| 4         | SSI0     | R/W  | 0     | SSI0 Reset Control<br>Reset control for SSI unit 0.   |
| 3         | reserved | RO   | 0     | Software should not rely on the value of a reserved bit. To provide compatibility with future products, the value of a reserved bit should be preserved across a read-modify-write operation. |
| 2         | UART2    | R/W  | 0     | UART2 Reset Control<br>Reset control for UART unit 2.   |
| 1         | UART1    | R/W  | 0     | UART1 Reset Control<br>Reset control for UART unit 1.   |
| 0         | UART0    | R/W  | 0     | UART0 Reset Control<br>Reset control for UART unit 0.   |

**Register 29: Software Reset Control 2 (SRCR2), offset 0x048**Writes to this register are masked by the bits in the **Device Capabilities 4 (DC4)** register.

## Software Reset Control 2 (SRCR2)

Base 0x400F.E000

Offset 0x048

Type R/W, reset 0x00000000

|       |          |       |          |       |          |    |    |    |       |       |       |       |       |       |       |       |
|-------|----------|-------|----------|-------|----------|----|----|----|-------|-------|-------|-------|-------|-------|-------|-------|
|       | 31       | 30    | 29       | 28    | 27       | 26 | 25 | 24 | 23    | 22    | 21    | 20    | 19    | 18    | 17    | 16    |
|       | reserved | EPHY0 | reserved | EMAC0 | reserved |    |    |    |       |       |       |       |       |       |       |       |
| Type  | RO       | R/W   | RO       | R/W   | RO       | RO | RO | RO | RO    | RO    | RO    | RO    | RO    | RO    | RO    | RO    |
| Reset | 0        | 0     | 0        | 0     | 0        | 0  | 0  | 0  | 0     | 0     | 0     | 0     | 0     | 0     | 0     | 0     |
|       | 15       | 14    | 13       | 12    | 11       | 10 | 9  | 8  | 7     | 6     | 5     | 4     | 3     | 2     | 1     | 0     |
|       | reserved |       |          |       |          |    |    |    | GPIOH | GPIOG | GPIOF | GPIOE | GIPOD | GPIOC | GPIOB | GPIOA |
| Type  | RO       | RO    | RO       | RO    | RO       | RO | RO | RO | R/W   | R/W   | R/W   | R/W   | R/W   | R/W   | R/W   | R/W   |
| Reset | 0        | 0     | 0        | 0     | 0        | 0  | 0  | 0  | 0     | 0     | 0     | 0     | 0     | 0     | 0     | 0     |

| Bit/Field | Name     | Type | Reset | Description   |
|-----------|----------|------|-------|---|
| 31        | reserved | RO   | 0     | Software should not rely on the value of a reserved bit. To provide compatibility with future products, the value of a reserved bit should be preserved across a read-modify-write operation. |
| 30        | EPHY0    | R/W  | 0     | PHY0 Reset Control<br>Reset control for Ethernet PHY unit 0.  |
| 29        | reserved | RO   | 0     | Software should not rely on the value of a reserved bit. To provide compatibility with future products, the value of a reserved bit should be preserved across a read-modify-write operation. |
| 28        | EMAC0    | R/W  | 0     | MAC0 Reset Control<br>Reset control for Ethernet MAC unit 0.  |
| 27:8      | reserved | RO   | 0     | Software should not rely on the value of a reserved bit. To provide compatibility with future products, the value of a reserved bit should be preserved across a read-modify-write operation. |
| 7         | GPIOH    | R/W  | 0     | Port H Reset Control<br>Reset control for GPIO Port H.  |
| 6         | GPIOG    | R/W  | 0     | Port G Reset Control<br>Reset control for GPIO Port G.  |
| 5         | GPIOF    | R/W  | 0     | Port F Reset Control<br>Reset control for GPIO Port F.  |
| 4         | GPIOE    | R/W  | 0     | Port E Reset Control<br>Reset control for GPIO Port E.  |
| 3         | GIPOD    | R/W  | 0     | Port D Reset Control<br>Reset control for GPIO Port D.  |
| 2         | GPIOC    | R/W  | 0     | Port C Reset Control<br>Reset control for GPIO Port C.  |

| Bit/Field | Name  | Type | Reset | Description  |
|-----------|-------|------|-------|--|
| 1         | GPIOB | R/W  | 0     | Port B Reset Control<br>Reset control for GPIO Port B. |
| 0         | GPIOA | R/W  | 0     | Port A Reset Control<br>Reset control for GPIO Port A. |

## 7 Hibernation Module

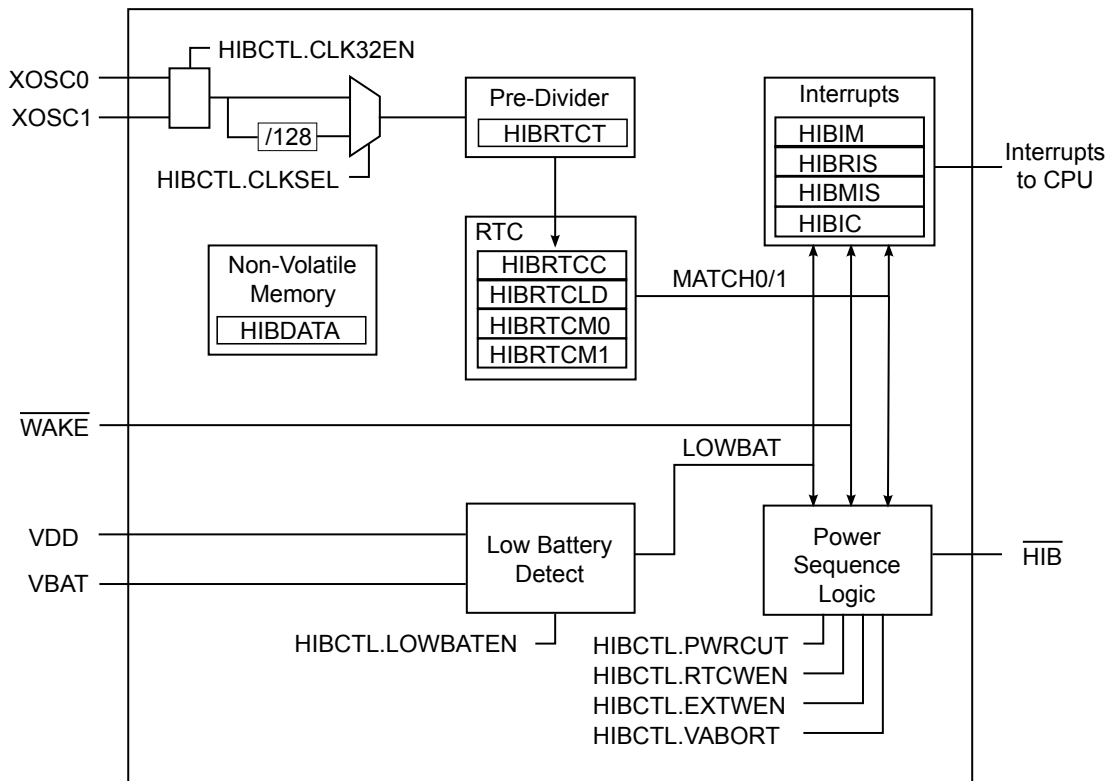
The Hibernation Module manages removal and restoration of power to provide a means for reducing power consumption. When the processor and peripherals are idle, power can be completely removed with only the Hibernation module remaining powered. Power can be restored based on an external signal, or at a certain time using the built-in Real-Time Clock (RTC). The Hibernation module can be independently supplied from a battery or an auxiliary power supply.

The Hibernation module has the following features:

- System power control using discrete external regulator
- Dedicated pin for waking from an external signal
- Low-battery detection, signaling, and interrupt generation
- 32-bit real-time counter (RTC)
- Two 32-bit RTC match registers for timed wake-up and interrupt generation
- Clock source from a 32.768-kHz external oscillator or a 4.194304-MHz crystal
- RTC predivider trim for making fine adjustments to the clock rate
- 64 32-bit words of non-volatile memory
- Programmable interrupts for RTC match, external wake, and low battery events

## 7.1 Block Diagram

Figure 7-1. Hibernation Module Block Diagram



## 7.2 Functional Description

The Hibernation module controls the power to the processor with an enable signal ( $\overline{HIB}$ ) that signals an external voltage regulator to turn off.

The Hibernation module power source is determined dynamically. The supply voltage of the Hibernation module is the larger of the main voltage source (VDD) or the battery/auxiliary voltage source (VBAT). A voting circuit indicates the larger and an internal power switch selects the appropriate voltage source. The Hibernation module also has a separate clock source to maintain a real-time clock (RTC). Once in hibernation, the module signals an external voltage regulator to turn back on the power when an external pin ( $\overline{WAKE}$ ) is asserted, or when the internal RTC reaches a certain value. The Hibernation module can also detect when the battery voltage is low, and optionally prevent hibernation when this occurs.

Power-up from a power cut to code execution is defined as the regulator turn-on time (specified at  $t_{HIB\_TO\_VDD}$  maximum) plus the normal chip POR (see "Hibernation Module" on page 481).

### 7.2.1 Register Access Timing

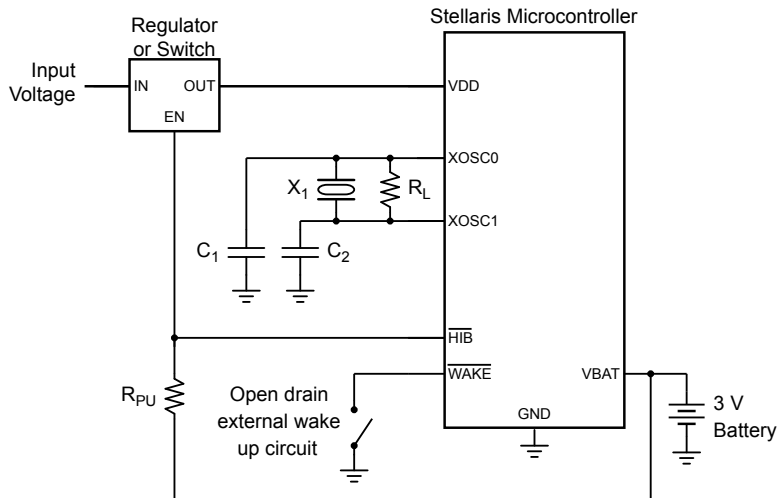
Because the Hibernation module has an independent clocking domain, certain registers must be written only with a timing gap between accesses. The delay time is  $t_{HIB\_REG\_WRITE}$ , therefore software must guarantee that a delay of  $t_{HIB\_REG\_WRITE}$  is inserted between back-to-back writes to certain Hibernation registers, or between a write followed by a read to those same registers. There is no restriction on timing for back-to-back reads from the Hibernation module.

## 7.2.2 Clock Source

The Hibernation module must be clocked by an external source, even if the RTC feature is not used. An external oscillator or crystal can be used for this purpose. To use a crystal, a 4.194304-MHz crystal is connected to the XOSC0 and XOSC1 pins. This clock signal is divided by 128 internally to produce the 32.768-kHz clock reference. For an alternate clock source, a 32.768-kHz oscillator can be connected to the XOSC0 pin. See Figure 7-2 on page 126 and Figure 7-3 on page 127. Note that these diagrams only show the connection to the Hibernation pins and not to the full system. See “Hibernation Module” on page 481 for specific values.

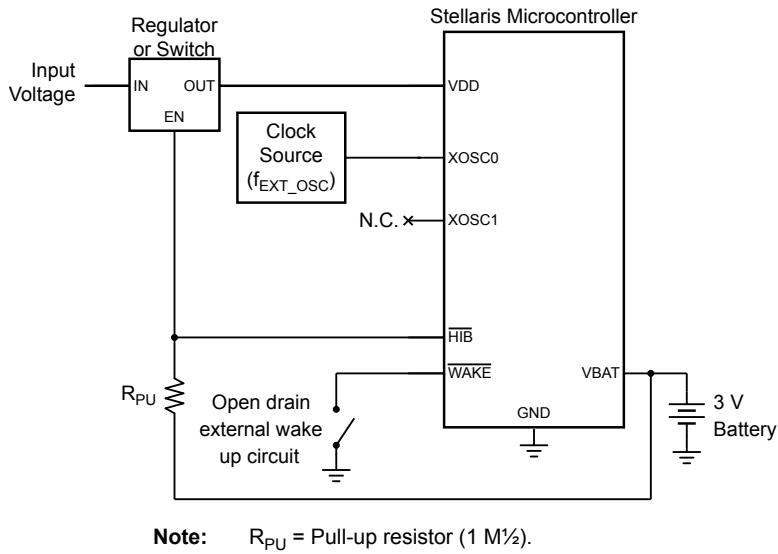
The clock source is enabled by setting the CLK32EN bit of the HIBCTL register. The type of clock source is selected by setting the CLKSEL bit to 0 for a 4.194304-MHz clock source, and to 1 for a 32.768-kHz clock source. If the bit is set to 0, the 4.194304-MHz input clock is divided by 128, resulting in a 32.768-kHz clock source. If a crystal is used for the clock source, the software must leave a delay of  $t_{XOSC\_SETTLE}$  after setting the CLK32EN bit and before any other accesses to the Hibernation module registers. The delay allows the crystal to power up and stabilize. If an oscillator is used for the clock source, no delay is needed.

**Figure 7-2. Clock Source Using Crystal**



- Note:**
- X<sub>1</sub> = Crystal frequency is  $f_{XOSC\_XTAL}$ .
  - C<sub>1,2</sub> = Capacitor value derived from crystal vendor load capacitance specifications.
  - R<sub>L</sub> = Load resistor is R<sub>XOSC\_LOAD</sub>.
  - R<sub>PU</sub> = Pull-up resistor (1 M $\Omega$ ).
- See “Hibernation Module” on page 481 for specific parameter values.

Figure 7-3. Clock Source Using Dedicated Oscillator



### 7.2.3 Battery Management

The Hibernation module can be independently powered by a battery or an auxiliary power source. The module can monitor the voltage level of the battery and detect when the voltage drops below  $V_{LOWBAT}$ . When this happens, an interrupt can be generated. The module can also be configured so that it will not go into Hibernate mode if the battery voltage drops below this threshold. Battery voltage is not measured while in Hibernate mode.

**Important:** System level factors may affect the accuracy of the low battery detect circuit. The designer should consider battery type, discharge characteristics, and a test load during battery voltage measurements.

Note that the Hibernation module draws power from whichever source ( $V_{BAT}$  or  $V_{DD}$ ) has the higher voltage. Therefore, it is important to design the circuit to ensure that  $V_{DD}$  is higher than  $V_{BAT}$  under nominal conditions or else the Hibernation module draws power from the battery even when  $V_{DD}$  is available.

The Hibernation module can be configured to detect a low battery condition by setting the  $LOWBATEN$  bit of the **HIBCTL** register. In this configuration, the  $LOWBAT$  bit of the **HIBRIS** register will be set when the battery level is low. If the  $VABORT$  bit is also set, then the module is prevented from entering Hibernation mode when a low battery is detected. The module can also be configured to generate an interrupt for the low-battery condition (see “Interrupts and Status” on page 129).

### 7.2.4 Real-Time Clock

The Hibernation module includes a 32-bit counter that increments once per second with a proper clock source and configuration (see “Clock Source” on page 126). The 32.768-kHz clock signal is fed into a predivider register which counts down the 32.768-kHz clock ticks to achieve a once per second clock rate for the RTC. The rate can be adjusted to compensate for inaccuracies in the clock source by using the predivider trim register, **HIBRTCT**. This register has a nominal value of 0x7FFF, and is used for one second out of every 64 seconds to divide the input clock. This allows the software to make fine corrections to the clock rate by adjusting the predivider trim register up or down from 0x7FFF. The predivider trim should be adjusted up from 0x7FFF in order to slow down the RTC rate, and down from 0x7FFF in order to speed up the RTC rate.

The Hibernation module includes two 32-bit match registers that are compared to the value of the RTC counter. The match registers can be used to wake the processor from hibernation mode, or to generate an interrupt to the processor if it is not in hibernation.

The RTC must be enabled with the `RTCEN` bit of the `HIBCTL` register. The value of the RTC can be set at any time by writing to the `HIBRTCLD` register. The predivider trim can be adjusted by reading and writing the `HIBRTCT` register. The predivider uses this register once every 64 seconds to adjust the clock rate. The two match registers can be set by writing to the `HIBRTCM0` and `HIBRTCM1` registers. The RTC can be configured to generate interrupts by using the interrupt registers (see “Interrupts and Status” on page 129).

## 7.2.5 Non-Volatile Memory

The Hibernation module contains 64 32-bit words of memory which are retained during hibernation. This memory is powered from the battery or auxiliary power supply during hibernation. The processor software can save state information in this memory prior to hibernation, and can then recover the state upon waking. The non-volatile memory can be accessed through the `HIBDATA` registers.

## 7.2.6 Power Control

---

**Important:** The Hibernation Module requires special system implementation considerations when using  $\overline{\text{HIB}}$  to control power, as it is intended to power-down all other sections of its host device. All system signals and power supplies that connect to the chip must be driven to 0  $V_{\text{DC}}$  or powered down with the same regulator controlled by  $\overline{\text{HIB}}$ . See “Hibernation Module” on page 481 for more details.

---

The Hibernation module controls power to the microcontroller through the use of the  $\overline{\text{HIB}}$  pin. This pin is intended to be connected to the enable signal of the external regulator(s) providing 3.3 V and/or 2.5 V to the microcontroller. When the  $\overline{\text{HIB}}$  signal is asserted by the Hibernation module, the external regulator is turned off and no longer powers the system. The Hibernation module remains powered from the `VBAT` supply (which could be a battery or an auxiliary power source) until a Wake event. Power to the device is restored by deasserting the  $\overline{\text{HIB}}$  signal, which causes the external regulator to turn power back on to the chip.

## 7.2.7 Initiating Hibernate

Hibernation mode is initiated by the microcontroller setting the `HIBREQ` bit of the `HIBCTL` register. Prior to doing this, a wake-up condition must be configured, either from the external `WAKE` pin, or by using an RTC match.

The Hibernation module is configured to wake from the external  $\overline{\text{WAKE}}$  pin by setting the `PINWEN` bit of the `HIBCTL` register. It is configured to wake from RTC match by setting the `RTCWEN` bit. Either one or both of these bits can be set prior to going into hibernation. The  $\overline{\text{WAKE}}$  pin includes a weak internal pull-up. Note that both the  $\overline{\text{HIB}}$  and  $\overline{\text{WAKE}}$  pins use the Hibernation module's internal power supply as the logic 1 reference.

When the Hibernation module wakes, the microcontroller will see a normal power-on reset. Software can detect that the power-on was due to a wake from hibernation by examining the raw interrupt status register (see “Interrupts and Status” on page 129) and by looking for state data in the non-volatile memory (see “Non-Volatile Memory” on page 128).

When the  $\overline{\text{HIB}}$  signal deasserts, enabling the external regulator, the external regulator must reach the operating voltage within  $t_{\text{HIB\_TO\_VDD}}$ .



## 7.2.8 Interrupts and Status

The Hibernation module can generate interrupts when the following conditions occur:

- Assertion of  $\overline{\text{WAKE}}$  pin
- RTC match
- Low battery detected

All of the interrupts are ORed together before being sent to the interrupt controller, so the Hibernation module can only generate a single interrupt request to the controller at any given time. The software interrupt handler can service multiple interrupt events by reading the **HIBMIS** register. Software can also read the status of the Hibernation module at any time by reading the **HIBRIS** register which shows all of the pending events. This register can be used at power-on to see if a wake condition is pending, which indicates to the software that a hibernation wake occurred.

The events that can trigger an interrupt are configured by setting the appropriate bits in the **HIBIM** register. Pending interrupts can be cleared by writing the corresponding bit in the **HIBIC** register.

## 7.3 Initialization and Configuration

The Hibernation module can be set in several different configurations. The following sections show the recommended programming sequence for various scenarios. The examples below assume that a 32.768-kHz oscillator is used, and thus always show bit 2 (**CLKSEL**) of the **HIBCTL** register set to 1. If a 4.194304-MHz crystal is used instead, then the **CLKSEL** bit remains cleared. Because the Hibernation module runs at 32.768 kHz and is asynchronous to the rest of the system, software must allow a delay of  $t_{\text{HIB\_REG\_WRITE}}$  after writes to certain registers (see “Register Access Timing” on page 125). The registers that require a delay are listed in a note in “Register Map” on page 130 as well as in each register description.

### 7.3.1 Initialization

The Hibernation module clock source must be enabled first, even if the RTC feature is not used. If a 4.194304-MHz crystal is used, perform the following steps:

1. Write 0x40 to the **HIBCTL** register at offset 0x10 to enable the crystal and select the divide-by-128 input path.
2. Wait for a time of  $t_{\text{XOSC\_SETTLE}}$  for the crystal to power up and stabilize before performing any other operations with the Hibernation module.

If a 32.768-kHz oscillator is used, then perform the following steps:

1. Write 0x44 to the **HIBCTL** register at offset 0x10 to enable the oscillator input.
2. No delay is necessary.

The above is only necessary when the entire system is initialized for the first time. If the processor is powered due to a wake from hibernation, then the Hibernation module has already been powered up and the above steps are not necessary. The software can detect that the Hibernation module and clock are already powered by examining the **CLK32EN** bit of the **HIBCTL** register.

### 7.3.2 RTC Match Functionality (No Hibernation)

Use the following steps to implement the RTC match functionality of the Hibernation module:

1. Write the required RTC match value to one of the **HIBRTCMn** registers at offset 0x004 or 0x008.
2. Write the required RTC load value to the **HIBRTCLD** register at offset 0x00C.
3. Set the required RTC match interrupt mask in the **RTCALTO** and **RTCALTO1** bits (bits 1:0) in the **HIBIM** register at offset 0x014.
4. Write 0x0000.0041 to the **HIBCTL** register at offset 0x010 to enable the RTC to begin counting.

### 7.3.3 RTC Match/Wake-Up from Hibernation

Use the following steps to implement the RTC match and wake-up functionality of the Hibernation module:

1. Write the required RTC match value to the **HIBRTCMn** registers at offset 0x004 or 0x008.
2. Write the required RTC load value to the **HIBRTCLD** register at offset 0x00C.
3. Write any data to be retained during power cut to the **HIBDATA** register at offsets 0x030-0x12C.
4. Set the RTC Match Wake-Up and start the hibernation sequence by writing 0x0000.004F to the **HIBCTL** register at offset 0x010.

### 7.3.4 External Wake-Up from Hibernation

Use the following steps to implement the Hibernation module with the external  $\overline{\text{WAKE}}$  pin as the wake-up source for the microcontroller:

1. Write any data to be retained during power cut to the **HIBDATA** register at offsets 0x030-0x12C.
2. Enable the external wake and start the hibernation sequence by writing 0x0000.0056 to the **HIBCTL** register at offset 0x010.

### 7.3.5 RTC/External Wake-Up from Hibernation

1. Write the required RTC match value to the **HIBRTCMn** registers at offset 0x004 or 0x008.
2. Write the required RTC load value to the **HIBRTCLD** register at offset 0x00C.
3. Write any data to be retained during power cut to the **HIBDATA** register at offsets 0x030-0x12C.
4. Set the RTC Match/External Wake-Up and start the hibernation sequence by writing 0x0000.005F to the **HIBCTL** register at offset 0x010.

## 7.4 Register Map

Table 7-1 on page 130 lists the Hibernation registers. All addresses given are relative to the Hibernation Module base address at 0x400F.C000.

**Table 7-1. Hibernation Module Register Map**

| Offset | Name     | Type | Reset       | Description             | See page |
|--------|----------|------|-------------|-------------------------|----------|
| 0x000  | HIBRTCC  | RO   | 0x0000.0000 | Hibernation RTC Counter | 132      |
| 0x004  | HIBRTCM0 | R/W  | 0xFFFF.FFFF | Hibernation RTC Match 0 | 133      |

**Table 7-1. Hibernation Module Register Map (continued)**

| Offset          | Name     | Type  | Reset       | Description                         | See page |
|-----------------|----------|-------|-------------|-------------------------------------|----------|
| 0x008           | HIBRTCM1 | R/W   | 0xFFFF.FFFF | Hibernation RTC Match 1             | 134      |
| 0x00C           | HIBRTCLD | R/W   | 0xFFFF.FFFF | Hibernation RTC Load                | 135      |
| 0x010           | HIBCTL   | R/W   | 0x8000.0000 | Hibernation Control                 | 136      |
| 0x014           | HIBIM    | R/W   | 0x0000.0000 | Hibernation Interrupt Mask          | 138      |
| 0x018           | HIBRIS   | RO    | 0x0000.0000 | Hibernation Raw Interrupt Status    | 139      |
| 0x01C           | HIBMIS   | RO    | 0x0000.0000 | Hibernation Masked Interrupt Status | 140      |
| 0x020           | HIBIC    | R/W1C | 0x0000.0000 | Hibernation Interrupt Clear         | 141      |
| 0x024           | HIBRTCT  | R/W   | 0x0000.7FFF | Hibernation RTC Trim                | 142      |
| 0x030-<br>0x12C | HIBDATA  | R/W   | -           | Hibernation Data                    | 143      |

## 7.5 Register Descriptions

The remainder of this section lists and describes the Hibernation module registers, in numerical order by address offset.

### Register 1: Hibernation RTC Counter (HIBRTCC), offset 0x000

This register is the current 32-bit value of the RTC counter.

#### Hibernation RTC Counter (HIBRTCC)

Base 0x400F.C000

Offset 0x000

Type RO, reset 0x0000.0000



| Bit/Field | Name | Type | Reset       | Description |
|-----------|------|------|-------------|-------------|
| 31:0      | RTCC | RO   | 0x0000.0000 | RTC Counter |

A read returns the 32-bit counter value. This register is read-only. To change the value, use the **HIBRTCLD** register.

**Register 2: Hibernation RTC Match 0 (HIBRTCM0), offset 0x004**

This register is the 32-bit match 0 register for the RTC counter.

**Hibernation RTC Match 0 (HIBRTCM0)**

Base 0x400F.C000

Offset 0x004

Type R/W, reset 0xFFFF.FFFF

|       |       |     |     |     |     |     |     |     |     |     |     |     |     |     |     |     |
|-------|-------|-----|-----|-----|-----|-----|-----|-----|-----|-----|-----|-----|-----|-----|-----|-----|
|       | 31    | 30  | 29  | 28  | 27  | 26  | 25  | 24  | 23  | 22  | 21  | 20  | 19  | 18  | 17  | 16  |
|       | RTCM0 |     |     |     |     |     |     |     |     |     |     |     |     |     |     |     |
| Type  | R/W   | R/W | R/W | R/W | R/W | R/W | R/W | R/W | R/W | R/W | R/W | R/W | R/W | R/W | R/W | R/W |
| Reset | 1     | 1   | 1   | 1   | 1   | 1   | 1   | 1   | 1   | 1   | 1   | 1   | 1   | 1   | 1   | 1   |
|       | 15    | 14  | 13  | 12  | 11  | 10  | 9   | 8   | 7   | 6   | 5   | 4   | 3   | 2   | 1   | 0   |
|       | RTCM0 |     |     |     |     |     |     |     |     |     |     |     |     |     |     |     |
| Type  | R/W   | R/W | R/W | R/W | R/W | R/W | R/W | R/W | R/W | R/W | R/W | R/W | R/W | R/W | R/W | R/W |
| Reset | 1     | 1   | 1   | 1   | 1   | 1   | 1   | 1   | 1   | 1   | 1   | 1   | 1   | 1   | 1   | 1   |

| Bit/Field | Name  | Type | Reset       | Description |
|-----------|-------|------|-------------|-------------|
| 31:0      | RTCM0 | R/W  | 0xFFFF.FFFF | RTC Match 0 |

A write loads the value into the RTC match register.

A read returns the current match value.

### Register 3: Hibernation RTC Match 1 (HIBRTCM1), offset 0x008

This register is the 32-bit match 1 register for the RTC counter.

#### Hibernation RTC Match 1 (HIBRTCM1)

Base 0x400F.C000

Offset 0x008

Type R/W, reset 0xFFFF.FFFF



| Bit/Field | Name  | Type | Reset       | Description |
|-----------|-------|------|-------------|-------------|
| 31:0      | RTCM1 | R/W  | 0xFFFF.FFFF | RTC Match 1 |

A write loads the value into the RTC match register.

A read returns the current match value.

**Register 4: Hibernation RTC Load (HIBRTCLD), offset 0x00C**

This register is the 32-bit value loaded into the RTC counter.

**Hibernation RTC Load (HIBRTCLD)**

Base 0x400F.C000

Offset 0x00C

Type R/W, reset 0xFFFF.FFFF

|       |       |     |     |     |     |     |     |     |     |     |     |     |     |     |     |     |
|-------|-------|-----|-----|-----|-----|-----|-----|-----|-----|-----|-----|-----|-----|-----|-----|-----|
|       | 31    | 30  | 29  | 28  | 27  | 26  | 25  | 24  | 23  | 22  | 21  | 20  | 19  | 18  | 17  | 16  |
|       | RTCLD |     |     |     |     |     |     |     |     |     |     |     |     |     |     |     |
| Type  | R/W   | R/W | R/W | R/W | R/W | R/W | R/W | R/W | R/W | R/W | R/W | R/W | R/W | R/W | R/W | R/W |
| Reset | 1     | 1   | 1   | 1   | 1   | 1   | 1   | 1   | 1   | 1   | 1   | 1   | 1   | 1   | 1   | 1   |
|       | 15    | 14  | 13  | 12  | 11  | 10  | 9   | 8   | 7   | 6   | 5   | 4   | 3   | 2   | 1   | 0   |
|       | RTCLD |     |     |     |     |     |     |     |     |     |     |     |     |     |     |     |
| Type  | R/W   | R/W | R/W | R/W | R/W | R/W | R/W | R/W | R/W | R/W | R/W | R/W | R/W | R/W | R/W | R/W |
| Reset | 1     | 1   | 1   | 1   | 1   | 1   | 1   | 1   | 1   | 1   | 1   | 1   | 1   | 1   | 1   | 1   |

| Bit/Field | Name  | Type | Reset       | Description |
|-----------|-------|------|-------------|-------------|
| 31:0      | RTCLD | R/W  | 0xFFFF.FFFF | RTC Load    |

A write loads the current value into the RTC counter (RTCC).

A read returns the 32-bit load value.

## Register 5: Hibernation Control (HIBCTL), offset 0x010

This register is the control register for the Hibernation module.

### Hibernation Control (HIBCTL)

Base 0x400F.C000  
 Offset 0x010  
 Type R/W, reset 0x8000.0000

|       |          |    |    |    |    |    |    |    |        |         |          |        |        |        |        |       |
|-------|----------|----|----|----|----|----|----|----|--------|---------|----------|--------|--------|--------|--------|-------|
|       | 31       | 30 | 29 | 28 | 27 | 26 | 25 | 24 | 23     | 22      | 21       | 20     | 19     | 18     | 17     | 16    |
|       | reserved |    |    |    |    |    |    |    |        |         |          |        |        |        |        |       |
| Type  | RO       | RO | RO | RO | RO | RO | RO | RO | RO     | RO      | RO       | RO     | RO     | RO     | RO     | RO    |
| Reset | 0        | 0  | 0  | 0  | 0  | 0  | 0  | 0  | 0      | 0       | 0        | 0      | 0      | 0      | 0      | 0     |
|       | 15       | 14 | 13 | 12 | 11 | 10 | 9  | 8  | 7      | 6       | 5        | 4      | 3      | 2      | 1      | 0     |
|       | reserved |    |    |    |    |    |    |    | VABORT | CLK32EN | LOWBATEN | PINWEN | RTCWEN | CLKSEL | HIBREQ | RTCEN |
| Type  | RO       | RO | RO | RO | RO | RO | RO | RO | R/W    | R/W     | R/W      | R/W    | R/W    | R/W    | R/W    | R/W   |
| Reset | 0        | 0  | 0  | 0  | 0  | 0  | 0  | 0  | 0      | 0       | 0        | 0      | 0      | 0      | 0      | 0     |

| Bit/Field | Name   | Type | Reset | Description  |       |             |   |  |   |                       |
|-----------|--|------|-------|--|-------|-------------|---|--|---|-----------------------|
| 31:8      | reserved                                     | RO   | 0x00  | Software should not rely on the value of a reserved bit. To provide compatibility with future products, the value of a reserved bit should be preserved across a read-modify-write operation.  |       |             |   |  |   |                       |
| 7         | VABORT                                       | R/W  | 0     | Power Cut Abort Enable<br><br><table border="0"> <tr> <td>Value</td> <td>Description</td> </tr> <tr> <td>0</td> <td>Power cut occurs during a low-battery alert.</td> </tr> <tr> <td>1</td> <td>Power cut is aborted.</td> </tr> </table>  | Value | Description | 0 | Power cut occurs during a low-battery alert. | 1 | Power cut is aborted. |
| Value     | Description                                  |      |       |  |       |             |   |  |   |                       |
| 0         | Power cut occurs during a low-battery alert. |      |       |  |       |             |   |  |   |                       |
| 1         | Power cut is aborted.                        |      |       |  |       |             |   |  |   |                       |
| 6         | CLK32EN                                      | R/W  | 0     | Clocking Enable<br><br><table border="0"> <tr> <td>Value</td> <td>Description</td> </tr> <tr> <td>0</td> <td>Disabled</td> </tr> <tr> <td>1</td> <td>Enabled</td> </tr> </table> <p>This bit must be enabled to use the Hibernation module. If a crystal is used, then software should wait 20 ms after setting this bit to allow the crystal to power up and stabilize.</p> | Value | Description | 0 | Disabled                                     | 1 | Enabled               |
| Value     | Description                                  |      |       |  |       |             |   |  |   |                       |
| 0         | Disabled                                     |      |       |  |       |             |   |  |   |                       |
| 1         | Enabled                                      |      |       |  |       |             |   |  |   |                       |
| 5         | LOWBATEN                                     | R/W  | 0     | Low Battery Monitoring Enable<br><br><table border="0"> <tr> <td>Value</td> <td>Description</td> </tr> <tr> <td>0</td> <td>Disabled</td> </tr> <tr> <td>1</td> <td>Enabled</td> </tr> </table> <p>When set, low battery voltage detection is enabled (<math>V_{BAT} &lt; V_{LOWBAT}</math>).</p>   | Value | Description | 0 | Disabled                                     | 1 | Enabled               |
| Value     | Description                                  |      |       |  |       |             |   |  |   |                       |
| 0         | Disabled                                     |      |       |  |       |             |   |  |   |                       |
| 1         | Enabled                                      |      |       |  |       |             |   |  |   |                       |
| 4         | PINWEN                                       | R/W  | 0     | External $\overline{WAKE}$ Pin Enable<br><br><table border="0"> <tr> <td>Value</td> <td>Description</td> </tr> <tr> <td>0</td> <td>Disabled</td> </tr> <tr> <td>1</td> <td>Enabled</td> </tr> </table> <p>When set, an external event on the <math>\overline{WAKE}</math> pin will re-power the device.</p>  | Value | Description | 0 | Disabled                                     | 1 | Enabled               |
| Value     | Description                                  |      |       |  |       |             |   |  |   |                       |
| 0         | Disabled                                     |      |       |  |       |             |   |  |   |                       |
| 1         | Enabled                                      |      |       |  |       |             |   |  |   |                       |



| Bit/Field | Name   | Type | Reset | Description  |       |             |   |  |   |   |
|-----------|--|------|-------|--|-------|-------------|---|--|---|---|
| 3         | RTCWEN   | R/W  | 0     | RTC Wake-up Enable<br><br><table border="1"> <thead> <tr> <th>Value</th> <th>Description</th> </tr> </thead> <tbody> <tr> <td>0</td> <td>Disabled</td> </tr> <tr> <td>1</td> <td>Enabled</td> </tr> </tbody> </table> <p>When set, an RTC match event (RTCM0 or RTCM1) will re-power the device based on the RTC counter value matching the corresponding match register 0 or 1.</p> | Value | Description | 0 | Disabled   | 1 | Enabled   |
| Value     | Description  |      |       |  |       |             |   |  |   |   |
| 0         | Disabled   |      |       |  |       |             |   |  |   |   |
| 1         | Enabled  |      |       |  |       |             |   |  |   |   |
| 2         | CLKSEL   | R/W  | 0     | Hibernation Module Clock Select<br><br><table border="1"> <thead> <tr> <th>Value</th> <th>Description</th> </tr> </thead> <tbody> <tr> <td>0</td> <td>Use Divide by 128 output. Use this value for a 4.194304-MHz crystal.</td> </tr> <tr> <td>1</td> <td>Use raw output. Use this value for a 32.768-kHz oscillator.</td> </tr> </tbody> </table>                                   | Value | Description | 0 | Use Divide by 128 output. Use this value for a 4.194304-MHz crystal. | 1 | Use raw output. Use this value for a 32.768-kHz oscillator. |
| Value     | Description  |      |       |  |       |             |   |  |   |   |
| 0         | Use Divide by 128 output. Use this value for a 4.194304-MHz crystal. |      |       |  |       |             |   |  |   |   |
| 1         | Use raw output. Use this value for a 32.768-kHz oscillator.          |      |       |  |       |             |   |  |   |   |
| 1         | HIBREQ   | R/W  | 0     | Hibernation Request<br><br><table border="1"> <thead> <tr> <th>Value</th> <th>Description</th> </tr> </thead> <tbody> <tr> <td>0</td> <td>Disabled</td> </tr> <tr> <td>1</td> <td>Hibernation initiated</td> </tr> </tbody> </table> <p>After a wake-up event, this bit is cleared by hardware.</p>  | Value | Description | 0 | Disabled   | 1 | Hibernation initiated                                       |
| Value     | Description  |      |       |  |       |             |   |  |   |   |
| 0         | Disabled   |      |       |  |       |             |   |  |   |   |
| 1         | Hibernation initiated  |      |       |  |       |             |   |  |   |   |
| 0         | RTCEN  | R/W  | 0     | RTC Timer Enable<br><br><table border="1"> <thead> <tr> <th>Value</th> <th>Description</th> </tr> </thead> <tbody> <tr> <td>0</td> <td>Disabled</td> </tr> <tr> <td>1</td> <td>Enabled</td> </tr> </tbody> </table>  | Value | Description | 0 | Disabled   | 1 | Enabled   |
| Value     | Description  |      |       |  |       |             |   |  |   |   |
| 0         | Disabled   |      |       |  |       |             |   |  |   |   |
| 1         | Enabled  |      |       |  |       |             |   |  |   |   |

### Register 6: Hibernation Interrupt Mask (HIBIM), offset 0x014

This register is the interrupt mask register for the Hibernation module interrupt sources.

#### Hibernation Interrupt Mask (HIBIM)

Base 0x400F.C000  
 Offset 0x014  
 Type R/W, reset 0x0000.0000

|       |          |    |    |    |    |    |    |    |    |    |    |    |      |        |         |         |     |
|-------|----------|----|----|----|----|----|----|----|----|----|----|----|------|--------|---------|---------|-----|
|       | 31       | 30 | 29 | 28 | 27 | 26 | 25 | 24 | 23 | 22 | 21 | 20 | 19   | 18     | 17      | 16      |     |
|       | reserved |    |    |    |    |    |    |    |    |    |    |    |      |        |         |         |     |
| Type  | RO       | RO | RO | RO | RO | RO | RO | RO | RO | RO | RO | RO | RO   | RO     | RO      | RO      |     |
| Reset | 0        | 0  | 0  | 0  | 0  | 0  | 0  | 0  | 0  | 0  | 0  | 0  | 0    | 0      | 0       | 0       |     |
|       | 15       | 14 | 13 | 12 | 11 | 10 | 9  | 8  | 7  | 6  | 5  | 4  | 3    | 2      | 1       | 0       |     |
|       | reserved |    |    |    |    |    |    |    |    |    |    |    | EXTW | LOWBAT | RTCALT1 | RTCALT0 |     |
| Type  | RO       | RO | RO | RO | RO | RO | RO | RO | RO | RO | RO | RO | RO   | R/W    | R/W     | R/W     | R/W |
| Reset | 0        | 0  | 0  | 0  | 0  | 0  | 0  | 0  | 0  | 0  | 0  | 0  | 0    | 0      | 0       | 0       | 0   |

| Bit/Field | Name     | Type | Reset      | Description   |
|-----------|----------|------|------------|---|
| 31:4      | reserved | RO   | 0x000.0000 | Software should not rely on the value of a reserved bit. To provide compatibility with future products, the value of a reserved bit should be preserved across a read-modify-write operation. |
| 3         | EXTW     | R/W  | 0          | External Wake-Up Interrupt Mask   |
|           |          |      |            | Value                      Description  |
|           |          |      |            | 0                              Masked   |
|           |          |      |            | 1                              Unmasked   |
| 2         | LOWBAT   | R/W  | 0          | Low Battery Voltage Interrupt Mask  |
|           |          |      |            | Value                      Description  |
|           |          |      |            | 0                              Masked   |
|           |          |      |            | 1                              Unmasked   |
| 1         | RTCALT1  | R/W  | 0          | RTC Alert1 Interrupt Mask   |
|           |          |      |            | Value                      Description  |
|           |          |      |            | 0                              Masked   |
|           |          |      |            | 1                              Unmasked   |
| 0         | RTCALT0  | R/W  | 0          | RTC Alert0 Interrupt Mask   |
|           |          |      |            | Value                      Description  |
|           |          |      |            | 0                              Masked   |
|           |          |      |            | 1                              Unmasked   |

**Register 7: Hibernation Raw Interrupt Status (HIBRIS), offset 0x018**

This register is the raw interrupt status for the Hibernation module interrupt sources.

**Hibernation Raw Interrupt Status (HIBRIS)**

Base 0x400F.C000

Offset 0x018

Type RO, reset 0x0000.0000

|       |          |    |    |    |    |    |    |    |    |    |    |    |      |        |         |         |
|-------|----------|----|----|----|----|----|----|----|----|----|----|----|------|--------|---------|---------|
|       | 31       | 30 | 29 | 28 | 27 | 26 | 25 | 24 | 23 | 22 | 21 | 20 | 19   | 18     | 17      | 16      |
|       | reserved |    |    |    |    |    |    |    |    |    |    |    |      |        |         |         |
| Type  | RO       | RO | RO | RO | RO | RO | RO | RO | RO | RO | RO | RO | RO   | RO     | RO      | RO      |
| Reset | 0        | 0  | 0  | 0  | 0  | 0  | 0  | 0  | 0  | 0  | 0  | 0  | 0    | 0      | 0       | 0       |
|       | 15       | 14 | 13 | 12 | 11 | 10 | 9  | 8  | 7  | 6  | 5  | 4  | 3    | 2      | 1       | 0       |
|       | reserved |    |    |    |    |    |    |    |    |    |    |    | EXTW | LOWBAT | RTCALT1 | RTCALT0 |
| Type  | RO       | RO | RO | RO | RO | RO | RO | RO | RO | RO | RO | RO | RO   | RO     | RO      | RO      |
| Reset | 0        | 0  | 0  | 0  | 0  | 0  | 0  | 0  | 0  | 0  | 0  | 0  | 0    | 0      | 0       | 0       |

| Bit/Field | Name     | Type | Reset      | Description   |
|-----------|----------|------|------------|---|
| 31:4      | reserved | RO   | 0x000.0000 | Software should not rely on the value of a reserved bit. To provide compatibility with future products, the value of a reserved bit should be preserved across a read-modify-write operation. |
| 3         | EXTW     | RO   | 0          | External Wake-Up Raw Interrupt Status   |
| 2         | LOWBAT   | RO   | 0          | Low Battery Voltage Raw Interrupt Status  |
| 1         | RTCALT1  | RO   | 0          | RTC Alert1 Raw Interrupt Status   |
| 0         | RTCALT0  | RO   | 0          | RTC Alert0 Raw Interrupt Status   |

### Register 8: Hibernation Masked Interrupt Status (HIBMIS), offset 0x01C

This register is the masked interrupt status for the Hibernation module interrupt sources.

#### Hibernation Masked Interrupt Status (HIBMIS)

Base 0x400F.C000

Offset 0x01C

Type RO, reset 0x0000.0000

|       |          |    |    |    |    |    |    |    |    |    |    |    |      |        |         |         |
|-------|----------|----|----|----|----|----|----|----|----|----|----|----|------|--------|---------|---------|
|       | 31       | 30 | 29 | 28 | 27 | 26 | 25 | 24 | 23 | 22 | 21 | 20 | 19   | 18     | 17      | 16      |
|       | reserved |    |    |    |    |    |    |    |    |    |    |    |      |        |         |         |
| Type  | RO       | RO | RO | RO | RO | RO | RO | RO | RO | RO | RO | RO | RO   | RO     | RO      | RO      |
| Reset | 0        | 0  | 0  | 0  | 0  | 0  | 0  | 0  | 0  | 0  | 0  | 0  | 0    | 0      | 0       | 0       |
|       | 15       | 14 | 13 | 12 | 11 | 10 | 9  | 8  | 7  | 6  | 5  | 4  | 3    | 2      | 1       | 0       |
|       | reserved |    |    |    |    |    |    |    |    |    |    |    | EXTW | LOWBAT | RTCALT1 | RTCALT0 |
| Type  | RO       | RO | RO | RO | RO | RO | RO | RO | RO | RO | RO | RO | RO   | RO     | RO      | RO      |
| Reset | 0        | 0  | 0  | 0  | 0  | 0  | 0  | 0  | 0  | 0  | 0  | 0  | 0    | 0      | 0       | 0       |

| Bit/Field | Name     | Type | Reset      | Description   |
|-----------|----------|------|------------|---|
| 31:4      | reserved | RO   | 0x000.0000 | Software should not rely on the value of a reserved bit. To provide compatibility with future products, the value of a reserved bit should be preserved across a read-modify-write operation. |
| 3         | EXTW     | RO   | 0          | External Wake-Up Masked Interrupt Status  |
| 2         | LOWBAT   | RO   | 0          | Low Battery Voltage Masked Interrupt Status   |
| 1         | RTCALT1  | RO   | 0          | RTC Alert1 Masked Interrupt Status  |
| 0         | RTCALT0  | RO   | 0          | RTC Alert0 Masked Interrupt Status  |

**Register 9: Hibernation Interrupt Clear (HIBIC), offset 0x020**

This register is the interrupt write-one-to-clear register for the Hibernation module interrupt sources.

**Hibernation Interrupt Clear (HIBIC)**

Base 0x400F.C000

Offset 0x020

Type R/W1C, reset 0x0000.0000

|       |          |    |    |    |    |    |    |    |    |    |    |    |       |        |         |         |
|-------|----------|----|----|----|----|----|----|----|----|----|----|----|-------|--------|---------|---------|
|       | 31       | 30 | 29 | 28 | 27 | 26 | 25 | 24 | 23 | 22 | 21 | 20 | 19    | 18     | 17      | 16      |
|       | reserved |    |    |    |    |    |    |    |    |    |    |    |       |        |         |         |
| Type  | RO       | RO | RO | RO | RO | RO | RO | RO | RO | RO | RO | RO | RO    | RO     | RO      | RO      |
| Reset | 0        | 0  | 0  | 0  | 0  | 0  | 0  | 0  | 0  | 0  | 0  | 0  | 0     | 0      | 0       | 0       |
|       | 15       | 14 | 13 | 12 | 11 | 10 | 9  | 8  | 7  | 6  | 5  | 4  | 3     | 2      | 1       | 0       |
|       | reserved |    |    |    |    |    |    |    |    |    |    |    | EXTW  | LOWBAT | RTCALT1 | RTCALT0 |
| Type  | RO       | RO | RO | RO | RO | RO | RO | RO | RO | RO | RO | RO | R/W1C | R/W1C  | R/W1C   | R/W1C   |
| Reset | 0        | 0  | 0  | 0  | 0  | 0  | 0  | 0  | 0  | 0  | 0  | 0  | 0     | 0      | 0       | 0       |

| Bit/Field | Name     | Type  | Reset      | Description   |
|-----------|----------|-------|------------|---|
| 31:4      | reserved | RO    | 0x000.0000 | Software should not rely on the value of a reserved bit. To provide compatibility with future products, the value of a reserved bit should be preserved across a read-modify-write operation. |
| 3         | EXTW     | R/W1C | 0          | External Wake-Up Masked Interrupt Clear<br>Reads return an indeterminate value.   |
| 2         | LOWBAT   | R/W1C | 0          | Low Battery Voltage Masked Interrupt Clear<br>Reads return an indeterminate value.  |
| 1         | RTCALT1  | R/W1C | 0          | RTC Alert1 Masked Interrupt Clear<br>Reads return an indeterminate value.   |
| 0         | RTCALT0  | R/W1C | 0          | RTC Alert0 Masked Interrupt Clear<br>Reads return an indeterminate value.   |

### Register 10: Hibernation RTC Trim (HIBRTCT), offset 0x024

This register contains the value that is used to trim the RTC clock predivider. It represents the computed underflow value that is used during the trim cycle. It is represented as  $0x7FFF \pm N$  clock cycles.

#### Hibernation RTC Trim (HIBRTCT)

Base 0x400F.C000

Offset 0x024

Type R/W, reset 0x0000.7FFF

|       |          |     |     |     |     |     |     |     |     |     |     |     |     |     |     |     |
|-------|----------|-----|-----|-----|-----|-----|-----|-----|-----|-----|-----|-----|-----|-----|-----|-----|
|       | 31       | 30  | 29  | 28  | 27  | 26  | 25  | 24  | 23  | 22  | 21  | 20  | 19  | 18  | 17  | 16  |
|       | reserved |     |     |     |     |     |     |     |     |     |     |     |     |     |     |     |
| Type  | RO       | RO  | RO  | RO  | RO  | RO  | RO  | RO  | RO  | RO  | RO  | RO  | RO  | RO  | RO  | RO  |
| Reset | 0        | 0   | 0   | 0   | 0   | 0   | 0   | 0   | 0   | 0   | 0   | 0   | 0   | 0   | 0   | 0   |
|       | 15       | 14  | 13  | 12  | 11  | 10  | 9   | 8   | 7   | 6   | 5   | 4   | 3   | 2   | 1   | 0   |
|       | TRIM     |     |     |     |     |     |     |     |     |     |     |     |     |     |     |     |
| Type  | R/W      | R/W | R/W | R/W | R/W | R/W | R/W | R/W | R/W | R/W | R/W | R/W | R/W | R/W | R/W | R/W |
| Reset | 0        | 1   | 1   | 1   | 1   | 1   | 1   | 1   | 1   | 1   | 1   | 1   | 1   | 1   | 1   | 1   |

| Bit/Field | Name     | Type | Reset  | Description   |
|-----------|----------|------|--------|---|
| 31:16     | reserved | RO   | 0x0000 | Software should not rely on the value of a reserved bit. To provide compatibility with future products, the value of a reserved bit should be preserved across a read-modify-write operation.   |
| 15:0      | TRIM     | R/W  | 0x7FFF | RTC Trim Value<br><br>This value is loaded into the RTC predivider every 64 seconds. It is used to adjust the RTC rate to account for drift and inaccuracy in the clock source. The compensation is made by software by adjusting the default value of 0x7FFF up or down. |

## Register 11: Hibernation Data (HIBDATA), offset 0x030-0x12C

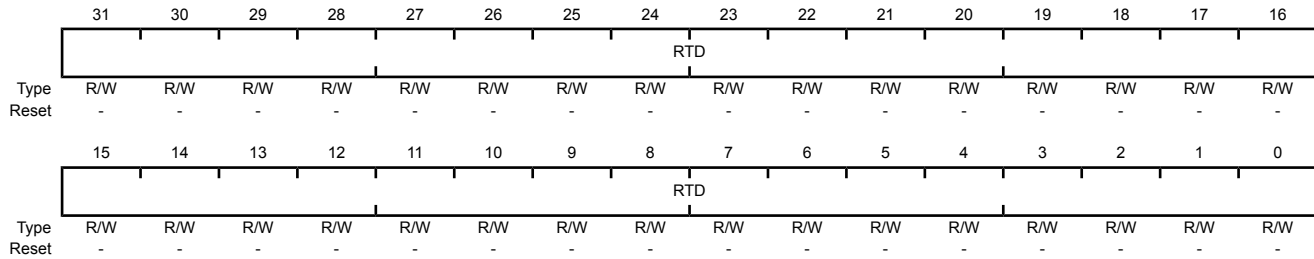
This address space is implemented as a 64x32-bit memory (256 bytes). It can be loaded by the system processor in order to store any non-volatile state data and will not lose power during a power cut operation.

### Hibernation Data (HIBDATA)

Base 0x400F.C000

Offset 0x030-0x12C

Type R/W, reset -



| Bit/Field | Name | Type | Reset | Description                           |
|-----------|------|------|-------|---------------------------------------|
| 31:0      | RTD  | R/W  | -     | Hibernation Module NV Registers[63:0] |

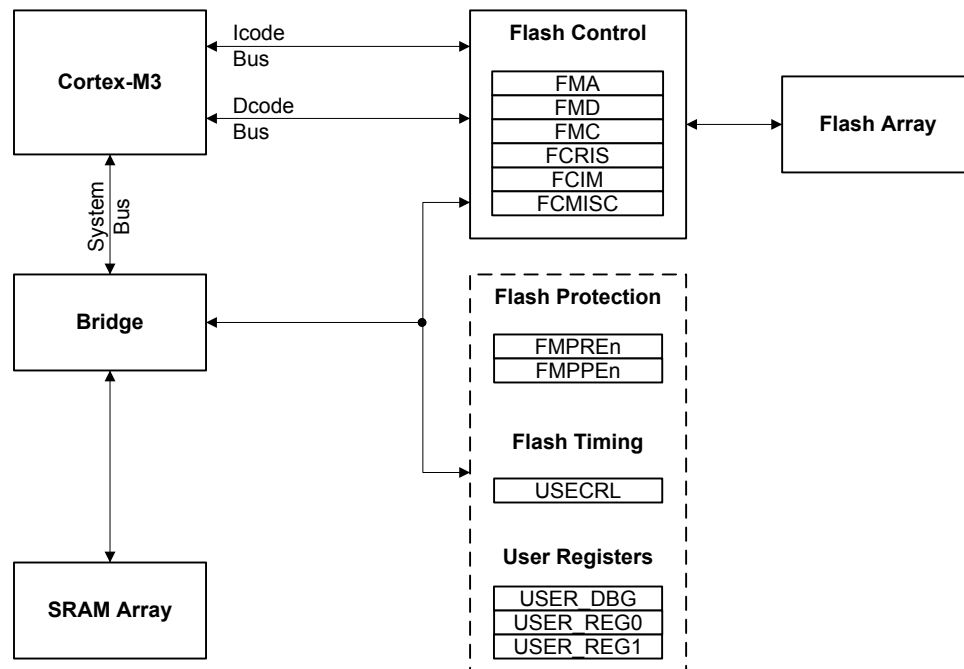
## 8 Internal Memory

The LM3S6911 microcontroller comes with 64 KB of bit-banded SRAM and 256 KB of flash memory. The flash controller provides a user-friendly interface, making flash programming a simple task. Flash protection can be applied to the flash memory on a 2-KB block basis.

### 8.1 Block Diagram

Figure 8-1 on page 144 illustrates the Flash functions. The dashed boxes in the figure indicate registers residing in the System Control module rather than the Flash Control module.

Figure 8-1. Flash Block Diagram



### 8.2 Functional Description

This section describes the functionality of the SRAM and Flash memories.

#### 8.2.1 SRAM Memory

The internal SRAM of the Stellaris<sup>®</sup> devices is located at address 0x2000.0000 of the device memory map. To reduce the number of time consuming read-modify-write (RMW) operations, ARM has introduced *bit-banding* technology in the Cortex-M3 processor. With a bit-band-enabled processor, certain regions in the memory map (SRAM and peripheral space) can use address aliases to access individual bits in a single, atomic operation.

The bit-band alias is calculated by using the formula:

$$\text{bit-band alias} = \text{bit-band base} + (\text{byte offset} * 32) + (\text{bit number} * 4)$$

For example, if bit 3 at address 0x2000.1000 is to be modified, the bit-band alias is calculated as:

$$0x2200.0000 + (0x1000 * 32) + (3 * 4) = 0x2202.000C$$



With the alias address calculated, an instruction performing a read/write to address 0x2202.000C allows direct access to only bit 3 of the byte at address 0x2000.1000.

For details about bit-banding, please refer to Chapter 4, “Memory Map” in the *ARM® Cortex™-M3 Technical Reference Manual*.

## 8.2.2 Flash Memory

The flash is organized as a set of 1-KB blocks that can be individually erased. Erasing a block causes the entire contents of the block to be reset to all 1s. An individual 32-bit word can be programmed to change bits that are currently 1 to a 0. These blocks are paired into a set of 2-KB blocks that can be individually protected. The protection allows blocks to be marked as read-only or execute-only, providing different levels of code protection. Read-only blocks cannot be erased or programmed, protecting the contents of those blocks from being modified. Execute-only blocks cannot be erased or programmed, and can only be read by the controller instruction fetch mechanism, protecting the contents of those blocks from being read by either the controller or by a debugger.

See also “Serial Flash Loader” on page 488 for a preprogrammed flash-resident utility used to download code to the flash memory of a device without the use of a debug interface.

### 8.2.2.1 Flash Memory Timing

The timing for the flash is automatically handled by the flash controller. However, in order to do so, it must know the clock rate of the system in order to time its internal signals properly. The number of clock cycles per microsecond must be provided to the flash controller for it to accomplish this timing. It is software's responsibility to keep the flash controller updated with this information via the **USEC Reload (USECRL)** register.

On reset, the **USECRL** register is loaded with a value that configures the flash timing so that it works with the maximum clock rate of the part. If software changes the system operating frequency, the new operating frequency minus 1 (in MHz) must be loaded into **USECRL** before any flash modifications are attempted. For example, if the device is operating at a speed of 20 MHz, a value of 0x13 (20-1) must be written to the **USECRL** register.

### 8.2.2.2 Flash Memory Protection

The user is provided two forms of flash protection per 2-KB flash blocks in four pairs of 32-bit wide registers. The protection policy for each form is controlled by individual bits (per policy per block) in the **FMPPEn** and **FMPREn** registers.

- **Flash Memory Protection Program Enable (FMPPEn):** If set, the block may be programmed (written) or erased. If cleared, the block may not be changed.
- **Flash Memory Protection Read Enable (FMPREn):** If a bit is set, the corresponding block may be executed or read by software or debuggers. If a bit is cleared, the corresponding block may only be executed, and contents of the memory block are prohibited from being read as data.

The policies may be combined as shown in Table 8-1 on page 145.

**Table 8-1. Flash Protection Policy Combinations**

| FMPPEn | FMPREn | Protection   |
|--------|--------|--|
| 0      | 0      | Execute-only protection. The block may only be executed and may not be written or erased. This mode is used to protect code. |
| 1      | 0      | The block may be written, erased or executed, but not read. This combination is unlikely to be used.                         |

**Table 8-1. Flash Protection Policy Combinations (continued)**

| FMPPEn | FMPREn | Protection   |
|--------|--------|--|
| 0      | 1      | Read-only protection. The block may be read or executed but may not be written or erased. This mode is used to lock the block from further modification while allowing any read or execute access. |
| 1      | 1      | No protection. The block may be written, erased, executed or read.   |

A Flash memory access that attempts to read a read-protected block (**FMPREn** bit is set) is prohibited and generates a bus fault. A Flash memory access that attempts to program or erase a program-protected block (**FMPPEn** bit is set) is prohibited and can optionally generate an interrupt (by setting the **AMASK** bit in the **Flash Controller Interrupt Mask (FCIM)** register) to alert software developers of poorly behaving software during the development and debug phases.

The factory settings for the **FMPREn** and **FMPPEn** registers are a value of 1 for all implemented banks. These settings create a policy of open access and programmability. The register bits may be changed by clearing the specific register bit. The changes are not permanent until the register is committed (saved), at which point the bit change is permanent. If a bit is changed from a 1 to a 0 and not committed, it may be restored by executing a power-on reset sequence. The changes are committed using the **Flash Memory Control (FMC)** register. Details on programming these bits are discussed in “Nonvolatile Register Programming” on page 147.

### 8.2.2.3 Interrupts

The Flash memory controller can generate interrupts when the following conditions are observed:

- Programming Interrupt - signals when a program or erase action is complete.
- Access Interrupt - signals when a program or erase action has been attempted on a 2-kB block of memory that is protected by its corresponding **FMPPEn** bit.

The interrupt events that can trigger a controller-level interrupt are defined in the **Flash Controller Masked Interrupt Status (FCMIS)** register (see page 155) by setting the corresponding **MASK** bits. If interrupts are not used, the raw interrupt status is always visible via the **Flash Controller Raw Interrupt Status (FCRIS)** register (see page 154).

Interrupts are always cleared (for both the **FCMIS** and **FCRIS** registers) by writing a 1 to the corresponding bit in the **Flash Controller Masked Interrupt Status and Clear (FCMISC)** register (see page 156).

## 8.3 Flash Memory Initialization and Configuration

### 8.3.1 Flash Programming

The Stellaris® devices provide a user-friendly interface for flash programming. All erase/program operations are handled via three registers: **FMA**, **FMD**, and **FMC**.

#### 8.3.1.1 To program a 32-bit word

1. Write source data to the **FMD** register.
2. Write the target address to the **FMA** register.
3. Write the flash write key and the **WRITE** bit (a value of 0xA442.0001) to the **FMC** register.
4. Poll the **FMC** register until the **WRITE** bit is cleared.

### 8.3.1.2 To perform an erase of a 1-KB page

1. Write the page address to the **FMA** register.
2. Write the flash write key and the **ERASE** bit (a value of 0xA442.0002) to the **FMC** register.
3. Poll the **FMC** register until the **ERASE** bit is cleared.

### 8.3.1.3 To perform a mass erase of the flash

1. Write the flash write key and the **MERASE** bit (a value of 0xA442.0004) to the **FMC** register.
2. Poll the **FMC** register until the **MERASE** bit is cleared.

## 8.3.2 Nonvolatile Register Programming

This section discusses how to update registers that are resident within the Flash memory itself. These registers exist in a separate space from the main Flash memory array and are not affected by an **ERASE** or **MASS ERASE** operation. The bits in these registers can be changed from 1 to 0 with a write operation. Prior to being committed, the register contents are unaffected by any reset condition except power-on reset, which returns the register contents to the original value. By committing the register values using the **COMT** bit in the **FMC** register, the register contents become nonvolatile and are therefore retained following power cycling. Once the register contents are committed, the contents are permanent, and they cannot be restored to their factory default values.

With the exception of the **USER\_DBG** register, the settings in these registers can be tested before committing them to Flash memory. For the **USER\_DBG** register, the data to be written is loaded into the **FMD** register before it is committed. The **FMD** register is read only and does not allow the **USER\_DBG** operation to be tried before committing it to nonvolatile memory.

---

**Important:** These registers can only have bits changed from 1 to 0 by user programming. Once committed, these registers cannot be restored to their factory default values.

---

In addition, the **USER\_REG0**, **USER\_REG1**, **USER\_REG2**, **USER\_REG3**, and **USER\_DBG** registers each use bit 31 (**NW**) to indicate that they have not been committed and bits in the register may be changed from 1 to 0. These five registers can only be committed once whereas the Flash memory protection registers may be committed multiple times. Table 8-2 on page 147 provides the **FMA** address required for commitment of each of the registers and the source of the data to be written when the **FMC** register is written with a value of 0xA442.0008. After writing the **COMT** bit, the user may poll the **FMC** register to wait for the commit operation to complete.

**Table 8-2. User-Programmable Flash Memory Resident Registers**

| Register to be Committed | FMA Value   | Data Source |
|--------------------------|-------------|-------------|
| FMPRE0                   | 0x0000.0000 | FMPRE0      |
| FMPRE1                   | 0x0000.0002 | FMPRE1      |
| FMPRE2                   | 0x0000.0004 | FMPRE2      |
| FMPRE3                   | 0x0000.0006 | FMPRE3      |
| FMPPE0                   | 0x0000.0001 | FMPPE0      |
| FMPPE1                   | 0x0000.0003 | FMPPE1      |
| FMPPE2                   | 0x0000.0005 | FMPPE2      |
| FMPPE3                   | 0x0000.0007 | FMPPE3      |
| USER_REG0                | 0x8000.0000 | USER_REG0   |

**Table 8-2. User-Programmable Flash Memory Resident Registers (continued)**

| Register to be Committed | FMA Value   | Data Source |
|--------------------------|-------------|-------------|
| USER_REG1                | 0x8000.0001 | USER_REG1   |
| USER_REG2                | 0x8000.0002 | USER_REG2   |
| USER_REG3                | 0x8000.0003 | USER_REG3   |
| USER_DBG                 | 0x7510.0000 | FMD         |

## 8.4 Register Map

Table 8-3 on page 148 lists the Flash memory and control registers. The offset listed is a hexadecimal increment to the register's address. The **FMA**, **FMD**, **FMC**, **FCRIS**, **FCIM**, and **FCMISC** register offsets are relative to the Flash memory control base address of 0x400F.D000. The Flash memory protection register offsets are relative to the System Control base address of 0x400F.E000.

**Table 8-3. Flash Register Map**

| Offset   | Name      | Type  | Reset       | Description  | See page |
|--|-----------|-------|-------------|--|----------|
| <b>Flash Memory Control Registers (Flash Control Offset)</b>     |           |       |             |  |          |
| 0x000  | FMA       | R/W   | 0x0000.0000 | Flash Memory Address                               | 150      |
| 0x004  | FMD       | R/W   | 0x0000.0000 | Flash Memory Data                                  | 151      |
| 0x008  | FMC       | R/W   | 0x0000.0000 | Flash Memory Control                               | 152      |
| 0x00C  | FCRIS     | RO    | 0x0000.0000 | Flash Controller Raw Interrupt Status              | 154      |
| 0x010  | FCIM      | R/W   | 0x0000.0000 | Flash Controller Interrupt Mask                    | 155      |
| 0x014  | FCMISC    | R/W1C | 0x0000.0000 | Flash Controller Masked Interrupt Status and Clear | 156      |
| <b>Flash Memory Protection Registers (System Control Offset)</b> |           |       |             |  |          |
| 0x130  | FMPRE0    | R/W   | 0xFFFF.FFFF | Flash Memory Protection Read Enable 0              | 159      |
| 0x200  | FMPRE0    | R/W   | 0xFFFF.FFFF | Flash Memory Protection Read Enable 0              | 159      |
| 0x134  | FMPPE0    | R/W   | 0xFFFF.FFFF | Flash Memory Protection Program Enable 0           | 160      |
| 0x400  | FMPPE0    | R/W   | 0xFFFF.FFFF | Flash Memory Protection Program Enable 0           | 160      |
| 0x140  | USECRL    | R/W   | 0x31        | USec Reload  | 158      |
| 0x1D0  | USER_DBG  | R/W   | 0xFFFF.FFFE | User Debug   | 161      |
| 0x1E0  | USER_REG0 | R/W   | 0xFFFF.FFFF | User Register 0                                    | 162      |
| 0x1E4  | USER_REG1 | R/W   | 0xFFFF.FFFF | User Register 1                                    | 163      |
| 0x204  | FMPRE1    | R/W   | 0xFFFF.FFFF | Flash Memory Protection Read Enable 1              | 164      |
| 0x208  | FMPRE2    | R/W   | 0xFFFF.FFFF | Flash Memory Protection Read Enable 2              | 165      |
| 0x20C  | FMPRE3    | R/W   | 0xFFFF.FFFF | Flash Memory Protection Read Enable 3              | 166      |
| 0x404  | FMPPE1    | R/W   | 0xFFFF.FFFF | Flash Memory Protection Program Enable 1           | 167      |
| 0x408  | FMPPE2    | R/W   | 0xFFFF.FFFF | Flash Memory Protection Program Enable 2           | 168      |
| 0x40C  | FMPPE3    | R/W   | 0xFFFF.FFFF | Flash Memory Protection Program Enable 3           | 169      |

## 8.5 Flash Register Descriptions (Flash Control Offset)

This section lists and describes the Flash Memory registers, in numerical order by address offset. Registers in this section are relative to the Flash control base address of 0x400F.D000.

### Register 1: Flash Memory Address (FMA), offset 0x000

During a write operation, this register contains a 4-byte-aligned address and specifies where the data is written. During erase operations, this register contains a 1 KB-aligned address and specifies which page is erased. Note that the alignment requirements must be met by software or the results of the operation are unpredictable.

#### Flash Memory Address (FMA)

Base 0x400F.D000  
 Offset 0x000  
 Type R/W, reset 0x0000.0000

|       |          |     |     |     |     |     |     |     |     |     |     |     |     |     |        |     |
|-------|----------|-----|-----|-----|-----|-----|-----|-----|-----|-----|-----|-----|-----|-----|--------|-----|
|       | 31       | 30  | 29  | 28  | 27  | 26  | 25  | 24  | 23  | 22  | 21  | 20  | 19  | 18  | 17     | 16  |
|       | reserved |     |     |     |     |     |     |     |     |     |     |     |     |     | OFFSET |     |
| Type  | RO       | RO  | RO  | RO  | RO  | RO  | RO  | RO  | RO  | RO  | RO  | RO  | RO  | RO  | R/W    | R/W |
| Reset | 0        | 0   | 0   | 0   | 0   | 0   | 0   | 0   | 0   | 0   | 0   | 0   | 0   | 0   | 0      | 0   |
|       | 15       | 14  | 13  | 12  | 11  | 10  | 9   | 8   | 7   | 6   | 5   | 4   | 3   | 2   | 1      | 0   |
|       | OFFSET   |     |     |     |     |     |     |     |     |     |     |     |     |     |        |     |
| Type  | R/W      | R/W | R/W | R/W | R/W | R/W | R/W | R/W | R/W | R/W | R/W | R/W | R/W | R/W | R/W    | R/W |
| Reset | 0        | 0   | 0   | 0   | 0   | 0   | 0   | 0   | 0   | 0   | 0   | 0   | 0   | 0   | 0      | 0   |

| Bit/Field | Name     | Type | Reset | Description   |
|-----------|----------|------|-------|---|
| 31:18     | reserved | RO   | 0x0   | Software should not rely on the value of a reserved bit. To provide compatibility with future products, the value of a reserved bit should be preserved across a read-modify-write operation.           |
| 17:0      | OFFSET   | R/W  | 0x0   | Address Offset<br><br>Address offset in flash where operation is performed, except for nonvolatile registers (see "Nonvolatile Register Programming" on page 147 for details on values for this field). |

## Register 2: Flash Memory Data (FMD), offset 0x004

This register contains the data to be written during the programming cycle or read during the read cycle. Note that the contents of this register are undefined for a read access of an execute-only block. This register is not used during the erase cycles.

### Flash Memory Data (FMD)

Base 0x400F.D000

Offset 0x004

Type R/W, reset 0x0000.0000

|       | 31   | 30  | 29  | 28  | 27  | 26  | 25  | 24  | 23  | 22  | 21  | 20  | 19  | 18  | 17  | 16  |
|-------|------|-----|-----|-----|-----|-----|-----|-----|-----|-----|-----|-----|-----|-----|-----|-----|
|       | DATA |     |     |     |     |     |     |     |     |     |     |     |     |     |     |     |
| Type  | R/W  | R/W | R/W | R/W | R/W | R/W | R/W | R/W | R/W | R/W | R/W | R/W | R/W | R/W | R/W | R/W |
| Reset | 0    | 0   | 0   | 0   | 0   | 0   | 0   | 0   | 0   | 0   | 0   | 0   | 0   | 0   | 0   | 0   |
|       | 15   | 14  | 13  | 12  | 11  | 10  | 9   | 8   | 7   | 6   | 5   | 4   | 3   | 2   | 1   | 0   |
|       | DATA |     |     |     |     |     |     |     |     |     |     |     |     |     |     |     |
| Type  | R/W  | R/W | R/W | R/W | R/W | R/W | R/W | R/W | R/W | R/W | R/W | R/W | R/W | R/W | R/W | R/W |
| Reset | 0    | 0   | 0   | 0   | 0   | 0   | 0   | 0   | 0   | 0   | 0   | 0   | 0   | 0   | 0   | 0   |

| Bit/Field | Name | Type | Reset | Description                                   |
|-----------|------|------|-------|---|
| 31:0      | DATA | R/W  | 0x0   | Data Value<br>Data value for write operation. |

### Register 3: Flash Memory Control (FMC), offset 0x008

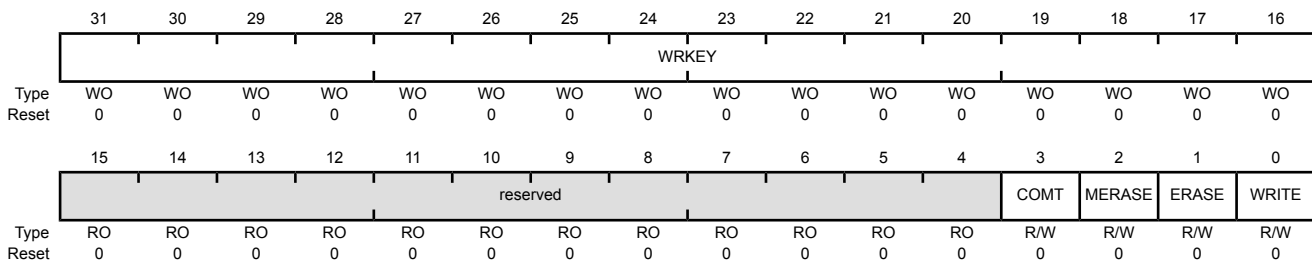
When this register is written, the flash controller initiates the appropriate access cycle for the location specified by the **Flash Memory Address (FMA)** register (see page 150). If the access is a write access, the data contained in the **Flash Memory Data (FMD)** register (see page 151) is written.

This is the final register written and initiates the memory operation. There are four control bits in the lower byte of this register that, when set, initiate the memory operation. The most used of these register bits are the `ERASE` and `WRITE` bits.

It is a programming error to write multiple control bits and the results of such an operation are unpredictable.

#### Flash Memory Control (FMC)

Base 0x400F.D000  
 Offset 0x008  
 Type R/W, reset 0x0000.0000



| Bit/Field | Name     | Type | Reset | Description   |
|-----------|----------|------|-------|---|
| 31:16     | WRKEY    | WO   | 0x0   | Flash Write Key<br><br>This field contains a write key, which is used to minimize the incidence of accidental flash writes. The value 0xA442 must be written into this field for a write to occur. Writes to the <b>FMC</b> register without this <code>WRKEY</code> value are ignored. A read of this field returns the value 0.   |
| 15:4      | reserved | RO   | 0x0   | Software should not rely on the value of a reserved bit. To provide compatibility with future products, the value of a reserved bit should be preserved across a read-modify-write operation.   |
| 3         | COMT     | R/W  | 0     | Commit Register Value<br><br>Commit (write) of register value to nonvolatile storage. A write of 0 has no effect on the state of this bit.<br><br>If read, the state of the previous commit access is provided. If the previous commit access is complete, a 0 is returned; otherwise, if the commit access is not complete, a 1 is returned.<br><br>This can take up to 50 $\mu$ s.                                  |
| 2         | MERASE   | R/W  | 0     | Mass Erase Flash Memory<br><br>If this bit is set, the flash main memory of the device is all erased. A write of 0 has no effect on the state of this bit.<br><br>If read, the state of the previous mass erase access is provided. If the previous mass erase access is complete, a 0 is returned; otherwise, if the previous mass erase access is not complete, a 1 is returned.<br><br>This can take up to 250 ms. |



---

| Bit/Field | Name  | Type | Reset | Description   |
|-----------|-------|------|-------|---|
| 1         | ERASE | R/W  | 0     | <p>Erase a Page of Flash Memory</p> <p>If this bit is set, the page of flash main memory as specified by the contents of <b>FMA</b> is erased. A write of 0 has no effect on the state of this bit.</p> <p>If read, the state of the previous erase access is provided. If the previous erase access is complete, a 0 is returned; otherwise, if the previous erase access is not complete, a 1 is returned.</p> <p>This can take up to 25 ms.</p>                            |
| 0         | WRITE | R/W  | 0     | <p>Write a Word into Flash Memory</p> <p>If this bit is set, the data stored in <b>FMD</b> is written into the location as specified by the contents of <b>FMA</b>. A write of 0 has no effect on the state of this bit.</p> <p>If read, the state of the previous write update is provided. If the previous write access is complete, a 0 is returned; otherwise, if the write access is not complete, a 1 is returned.</p> <p>This can take up to 50 <math>\mu</math>s.</p> |

## Register 4: Flash Controller Raw Interrupt Status (FCRIS), offset 0x00C

This register indicates that the flash controller has an interrupt condition. An interrupt is only signaled if the corresponding **FCIM** register bit is set.

### Flash Controller Raw Interrupt Status (FCRIS)

Base 0x400F.D000

Offset 0x00C

Type RO, reset 0x0000.0000

|       |          |    |    |    |    |    |    |    |    |    |    |    |    |    |      |      |
|-------|----------|----|----|----|----|----|----|----|----|----|----|----|----|----|------|------|
|       | 31       | 30 | 29 | 28 | 27 | 26 | 25 | 24 | 23 | 22 | 21 | 20 | 19 | 18 | 17   | 16   |
|       | reserved |    |    |    |    |    |    |    |    |    |    |    |    |    |      |      |
| Type  | RO       | RO | RO | RO | RO | RO | RO | RO | RO | RO | RO | RO | RO | RO | RO   | RO   |
| Reset | 0        | 0  | 0  | 0  | 0  | 0  | 0  | 0  | 0  | 0  | 0  | 0  | 0  | 0  | 0    | 0    |
|       | 15       | 14 | 13 | 12 | 11 | 10 | 9  | 8  | 7  | 6  | 5  | 4  | 3  | 2  | 1    | 0    |
|       | reserved |    |    |    |    |    |    |    |    |    |    |    |    |    | PRIS | ARIS |
| Type  | RO       | RO | RO | RO | RO | RO | RO | RO | RO | RO | RO | RO | RO | RO | RO   | RO   |
| Reset | 0        | 0  | 0  | 0  | 0  | 0  | 0  | 0  | 0  | 0  | 0  | 0  | 0  | 0  | 0    | 0    |

| Bit/Field | Name  | Type | Reset | Description  |   |   |   |  |
|-----------|---|------|-------|--|---|---|---|--|
| 31:2      | reserved  | RO   | 0x0   | Software should not rely on the value of a reserved bit. To provide compatibility with future products, the value of a reserved bit should be preserved across a read-modify-write operation.  |   |   |   |  |
| 1         | PRIS  | RO   | 0     | <p>Programming Raw Interrupt Status</p> <p>This bit provides status on programming cycles which are write or erase actions generated through the <b>FMC</b> register bits (see page 152).</p> <p>Value Description</p> <table border="0"> <tr> <td>1</td> <td>The programming cycle has completed.</td> </tr> <tr> <td>0</td> <td>The programming cycle has not completed.</td> </tr> </table> <p>This status is sent to the interrupt controller when the <b>PMASK</b> bit in the <b>FCIM</b> register is set.</p> <p>This bit is cleared by writing a 1 to the <b>PMISC</b> bit in the <b>FCMISC</b> register.</p> | 1 | The programming cycle has completed.  | 0 | The programming cycle has not completed.                             |
| 1         | The programming cycle has completed.  |      |       |  |   |   |   |  |
| 0         | The programming cycle has not completed.  |      |       |  |   |   |   |  |
| 0         | ARIS  | RO   | 0     | <p>Access Raw Interrupt Status</p> <p>Value Description</p> <table border="0"> <tr> <td>1</td> <td>A program or erase action was attempted on a block of Flash memory that contradicts the protection policy for that block as set in the <b>FMPPEn</b> registers.</td> </tr> <tr> <td>0</td> <td>No access has tried to improperly program or erase the Flash memory.</td> </tr> </table> <p>This status is sent to the interrupt controller when the <b>AMASK</b> bit in the <b>FCIM</b> register is set.</p> <p>This bit is cleared by writing a 1 to the <b>AMISC</b> bit in the <b>FCMISC</b> register.</p>     | 1 | A program or erase action was attempted on a block of Flash memory that contradicts the protection policy for that block as set in the <b>FMPPEn</b> registers. | 0 | No access has tried to improperly program or erase the Flash memory. |
| 1         | A program or erase action was attempted on a block of Flash memory that contradicts the protection policy for that block as set in the <b>FMPPEn</b> registers. |      |       |  |   |   |   |  |
| 0         | No access has tried to improperly program or erase the Flash memory.  |      |       |  |   |   |   |  |

## Register 5: Flash Controller Interrupt Mask (FCIM), offset 0x010

This register controls whether the flash controller generates interrupts to the controller.

### Flash Controller Interrupt Mask (FCIM)

Base 0x400F.D000

Offset 0x010

Type R/W, reset 0x0000.0000

|       |          |    |    |    |    |    |    |    |    |    |    |    |    |    |       |       |     |
|-------|----------|----|----|----|----|----|----|----|----|----|----|----|----|----|-------|-------|-----|
|       | 31       | 30 | 29 | 28 | 27 | 26 | 25 | 24 | 23 | 22 | 21 | 20 | 19 | 18 | 17    | 16    |     |
|       | reserved |    |    |    |    |    |    |    |    |    |    |    |    |    |       |       |     |
| Type  | RO       | RO | RO | RO | RO | RO | RO | RO | RO | RO | RO | RO | RO | RO | RO    | RO    |     |
| Reset | 0        | 0  | 0  | 0  | 0  | 0  | 0  | 0  | 0  | 0  | 0  | 0  | 0  | 0  | 0     | 0     |     |
|       | 15       | 14 | 13 | 12 | 11 | 10 | 9  | 8  | 7  | 6  | 5  | 4  | 3  | 2  | 1     | 0     |     |
|       | reserved |    |    |    |    |    |    |    |    |    |    |    |    |    | PMASK | AMASK |     |
| Type  | RO       | RO | RO | RO | RO | RO | RO | RO | RO | RO | RO | RO | RO | RO | RO    | R/W   | R/W |
| Reset | 0        | 0  | 0  | 0  | 0  | 0  | 0  | 0  | 0  | 0  | 0  | 0  | 0  | 0  | 0     | 0     | 0   |

| Bit/Field | Name  | Type | Reset | Description  |   |   |   |   |
|-----------|---|------|-------|--|---|---|---|---|
| 31:2      | reserved  | RO   | 0x0   | Software should not rely on the value of a reserved bit. To provide compatibility with future products, the value of a reserved bit should be preserved across a read-modify-write operation.  |   |   |   |   |
| 1         | PMASK   | R/W  | 0     | <p>Programming Interrupt Mask</p> <p>This bit controls the reporting of the programming raw interrupt status to the interrupt controller.</p> <p>Value Description</p> <table border="0"> <tr> <td>1</td> <td>An interrupt is sent to the interrupt controller when the <code>PRIS</code> bit is set.</td> </tr> <tr> <td>0</td> <td>The <code>PRIS</code> interrupt is suppressed and not sent to the interrupt controller.</td> </tr> </table> | 1 | An interrupt is sent to the interrupt controller when the <code>PRIS</code> bit is set. | 0 | The <code>PRIS</code> interrupt is suppressed and not sent to the interrupt controller. |
| 1         | An interrupt is sent to the interrupt controller when the <code>PRIS</code> bit is set. |      |       |  |   |   |   |   |
| 0         | The <code>PRIS</code> interrupt is suppressed and not sent to the interrupt controller. |      |       |  |   |   |   |   |
| 0         | AMASK   | R/W  | 0     | <p>Access Interrupt Mask</p> <p>This bit controls the reporting of the access raw interrupt status to the interrupt controller.</p> <p>Value Description</p> <table border="0"> <tr> <td>1</td> <td>An interrupt is sent to the interrupt controller when the <code>ARIS</code> bit is set.</td> </tr> <tr> <td>0</td> <td>The <code>ARIS</code> interrupt is suppressed and not sent to the interrupt controller.</td> </tr> </table>           | 1 | An interrupt is sent to the interrupt controller when the <code>ARIS</code> bit is set. | 0 | The <code>ARIS</code> interrupt is suppressed and not sent to the interrupt controller. |
| 1         | An interrupt is sent to the interrupt controller when the <code>ARIS</code> bit is set. |      |       |  |   |   |   |   |
| 0         | The <code>ARIS</code> interrupt is suppressed and not sent to the interrupt controller. |      |       |  |   |   |   |   |

## Register 6: Flash Controller Masked Interrupt Status and Clear (FCMISC), offset 0x014

This register provides two functions. First, it reports the cause of an interrupt by indicating which interrupt source or sources are signalling the interrupt. Second, it serves as the method to clear the interrupt reporting.

### Flash Controller Masked Interrupt Status and Clear (FCMISC)

Base 0x400F.D000

Offset 0x014

Type R/W1C, reset 0x0000.0000

|       |          |    |    |    |    |    |    |    |    |    |    |    |    |    |    |       |       |
|-------|----------|----|----|----|----|----|----|----|----|----|----|----|----|----|----|-------|-------|
|       | 31       | 30 | 29 | 28 | 27 | 26 | 25 | 24 | 23 | 22 | 21 | 20 | 19 | 18 | 17 | 16    |       |
|       | reserved |    |    |    |    |    |    |    |    |    |    |    |    |    |    |       |       |
| Type  | RO       | RO | RO | RO | RO | RO | RO | RO | RO | RO | RO | RO | RO | RO | RO | RO    |       |
| Reset | 0        | 0  | 0  | 0  | 0  | 0  | 0  | 0  | 0  | 0  | 0  | 0  | 0  | 0  | 0  | 0     |       |
|       | 15       | 14 | 13 | 12 | 11 | 10 | 9  | 8  | 7  | 6  | 5  | 4  | 3  | 2  | 1  | 0     |       |
|       | reserved |    |    |    |    |    |    |    |    |    |    |    |    |    |    | PMISC | AMISC |
| Type  | RO       | RO | RO | RO | RO | RO | RO | RO | RO | RO | RO | RO | RO | RO | RO | R/W1C | R/W1C |
| Reset | 0        | 0  | 0  | 0  | 0  | 0  | 0  | 0  | 0  | 0  | 0  | 0  | 0  | 0  | 0  | 0     | 0     |

| Bit/Field | Name     | Type  | Reset | Description   |
|-----------|----------|-------|-------|---|
| 31:2      | reserved | RO    | 0x0   | Software should not rely on the value of a reserved bit. To provide compatibility with future products, the value of a reserved bit should be preserved across a read-modify-write operation.   |
| 1         | PMISC    | R/W1C | 0     | <p>Programming Masked Interrupt Status and Clear</p> <p><b>Value Description</b></p> <p>1 When read, a 1 indicates that an unmasked interrupt was signaled because a programming cycle completed.</p> <p>Writing a 1 to this bit clears <b>PMISC</b> and also the <b>PRIS</b> bit in the <b>FCRIS</b> register (see page 154).</p> <p>0 When read, a 0 indicates that a programming cycle complete interrupt has not occurred.</p> <p>A write of 0 has no effect on the state of this bit.</p>  |
| 0         | AMISC    | R/W1C | 0     | <p>Access Masked Interrupt Status and Clear</p> <p><b>Value Description</b></p> <p>1 When read, a 1 indicates that an unmasked interrupt was signaled because a program or erase action was attempted on a block of Flash memory that contradicts the protection policy for that block as set in the <b>FMPPEn</b> registers.</p> <p>Writing a 1 to this bit clears <b>AMISC</b> and also the <b>ARIS</b> bit in the <b>FCRIS</b> register (see page 154).</p> <p>0 When read, a 0 indicates that no improper accesses have occurred.</p> <p>A write of 0 has no effect on the state of this bit.</p> |

## 8.6 Flash Register Descriptions (System Control Offset)

The remainder of this section lists and describes the Flash Memory registers, in numerical order by address offset. Registers in this section are relative to the System Control base address of 0x400F.E000.

**Register 7: USec Reload (USECRL), offset 0x140**

**Note:** Offset is relative to System Control base address of 0x400F.E000

This register is provided as a means of creating a 1- $\mu$ s tick divider reload value for the flash controller. The internal flash has specific minimum and maximum requirements on the length of time the high voltage write pulse can be applied. It is required that this register contain the operating frequency (in MHz -1) whenever the flash is being erased or programmed. The user is required to change this value if the clocking conditions are changed for a flash erase/program operation.

## USec Reload (USECRL)

Base 0x400F.E000

Offset 0x140

Type R/W, reset 0x31

|       |          |    |    |    |    |    |    |    |      |     |     |     |     |     |     |     |
|-------|----------|----|----|----|----|----|----|----|------|-----|-----|-----|-----|-----|-----|-----|
|       | 31       | 30 | 29 | 28 | 27 | 26 | 25 | 24 | 23   | 22  | 21  | 20  | 19  | 18  | 17  | 16  |
|       | reserved |    |    |    |    |    |    |    |      |     |     |     |     |     |     |     |
| Type  | RO       | RO | RO | RO | RO | RO | RO | RO | RO   | RO  | RO  | RO  | RO  | RO  | RO  | RO  |
| Reset | 0        | 0  | 0  | 0  | 0  | 0  | 0  | 0  | 0    | 0   | 0   | 0   | 0   | 0   | 0   | 0   |
|       | 15       | 14 | 13 | 12 | 11 | 10 | 9  | 8  | 7    | 6   | 5   | 4   | 3   | 2   | 1   | 0   |
|       | reserved |    |    |    |    |    |    |    | USEC |     |     |     |     |     |     |     |
| Type  | RO       | RO | RO | RO | RO | RO | RO | RO | R/W  | R/W | R/W | R/W | R/W | R/W | R/W | R/W |
| Reset | 0        | 0  | 0  | 0  | 0  | 0  | 0  | 0  | 0    | 0   | 1   | 1   | 0   | 0   | 0   | 1   |

| Bit/Field | Name     | Type | Reset | Description  |
|-----------|----------|------|-------|--|
| 31:8      | reserved | RO   | 0x0   | Software should not rely on the value of a reserved bit. To provide compatibility with future products, the value of a reserved bit should be preserved across a read-modify-write operation.  |
| 7:0       | USEC     | R/W  | 0x31  | Microsecond Reload Value<br><br>MHz -1 of the controller clock when the flash is being erased or programmed.<br><br>If the maximum system frequency is being used, USEC should be set to 0x31 (50 MHz) whenever the flash is being erased or programmed. |

## Register 8: Flash Memory Protection Read Enable 0 (FMPRE0), offset 0x130 and 0x200

**Note:** This register is aliased for backwards compatibility.

**Note:** Offset is relative to System Control base address of 0x400FE000.

This register stores the read-only protection bits for each 2-KB flash block (**FMPPEn** stores the execute-only bits). Flash memory up to a total of 64 KB is controlled by this register. Other **FMPREN** registers (if any) provide protection for other 64K blocks. This register is loaded during the power-on reset sequence. The factory settings for the **FMPREN** and **FMPPEn** registers are a value of 1 for all implemented banks. This achieves a policy of open access and programmability. The register bits may be changed by writing the specific register bit. However, this register is R/W0; the user can only change the protection bit from a 1 to a 0 (and may NOT change a 0 to a 1). The changes are not permanent until the register is committed (saved), at which point the bit change is permanent. If a bit is changed from a 1 to a 0 and not committed, it may be restored by executing a power-on reset sequence. The reset value shown only applies to power-on reset; any other type of reset does not affect this register. For additional information, see the "Flash Memory Protection" section.

### Flash Memory Protection Read Enable 0 (FMPRE0)

Base 0x400F.E000  
Offset 0x130 and 0x200  
Type R/W, reset 0xFFFF.FFFF

|       |             |     |     |     |     |     |     |     |     |     |     |     |     |     |     |     |
|-------|-------------|-----|-----|-----|-----|-----|-----|-----|-----|-----|-----|-----|-----|-----|-----|-----|
|       | 31          | 30  | 29  | 28  | 27  | 26  | 25  | 24  | 23  | 22  | 21  | 20  | 19  | 18  | 17  | 16  |
|       | READ_ENABLE |     |     |     |     |     |     |     |     |     |     |     |     |     |     |     |
| Type  | R/W         | R/W | R/W | R/W | R/W | R/W | R/W | R/W | R/W | R/W | R/W | R/W | R/W | R/W | R/W | R/W |
| Reset | 1           | 1   | 1   | 1   | 1   | 1   | 1   | 1   | 1   | 1   | 1   | 1   | 1   | 1   | 1   | 1   |
|       | 15          | 14  | 13  | 12  | 11  | 10  | 9   | 8   | 7   | 6   | 5   | 4   | 3   | 2   | 1   | 0   |
|       | READ_ENABLE |     |     |     |     |     |     |     |     |     |     |     |     |     |     |     |
| Type  | R/W         | R/W | R/W | R/W | R/W | R/W | R/W | R/W | R/W | R/W | R/W | R/W | R/W | R/W | R/W | R/W |
| Reset | 1           | 1   | 1   | 1   | 1   | 1   | 1   | 1   | 1   | 1   | 1   | 1   | 1   | 1   | 1   | 1   |

| Bit/Field | Name        | Type   | Reset      | Description  |
|-----------|-------------|--|------------|--|
| 31:0      | READ_ENABLE | R/W  | 0xFFFFFFFF | Flash Read Enable. Enables 2-KB Flash memory blocks to be executed or read. The policies may be combined as shown in the table "Flash Protection Policy Combinations". |
|           | Value       | Description  |            |  |
|           | 0xFFFFFFFF  | Bits [31:0] each enable protection on a 2-KB block of Flash memory up to the total of 64 KB. |            |  |

### Register 9: Flash Memory Protection Program Enable 0 (FMPPE0), offset 0x134 and 0x400

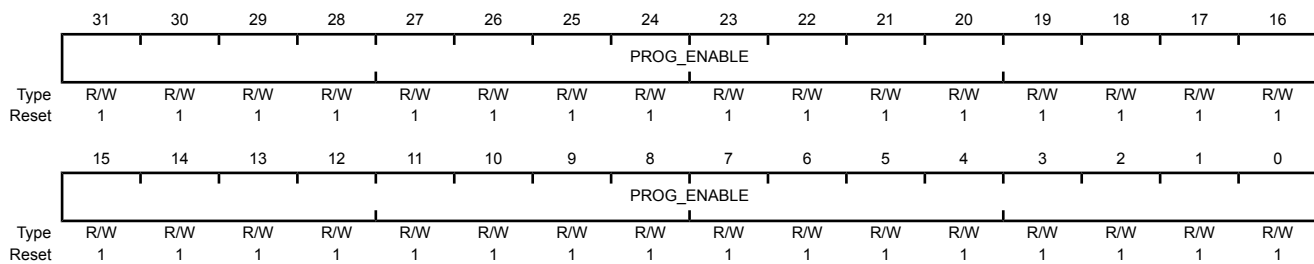
**Note:** This register is aliased for backwards compatibility.

**Note:** Offset is relative to System Control base address of 0x400FE000.

This register stores the execute-only protection bits for each 2-KB flash block (**FMPREN** stores the execute-only bits). Flash memory up to a total of 64 KB is controlled by this register. Other **FMPPEN** registers (if any) provide protection for other 64K blocks. This register is loaded during the power-on reset sequence. The factory settings for the **FMPREN** and **FMPPEN** registers are a value of 1 for all implemented banks. This achieves a policy of open access and programmability. The register bits may be changed by writing the specific register bit. However, this register is R/W0; the user can only change the protection bit from a 1 to a 0 (and may NOT change a 0 to a 1). The changes are not permanent until the register is committed (saved), at which point the bit change is permanent. If a bit is changed from a 1 to a 0 and not committed, it may be restored by executing a power-on reset sequence. The reset value shown only applies to power-on reset; any other type of reset does not affect this register. For additional information, see the "Flash Memory Protection" section.

#### Flash Memory Protection Program Enable 0 (FMPPE0)

Base 0x400F.E000  
 Offset 0x134 and 0x400  
 Type R/W, reset 0xFFFF.FFFF



| Bit/Field | Name        | Type | Reset      | Description              |
|-----------|-------------|------|------------|--------------------------|
| 31:0      | PROG_ENABLE | R/W  | 0xFFFFFFFF | Flash Programming Enable |

Configures 2-KB flash blocks to be execute only. The policies may be combined as shown in the table "Flash Protection Policy Combinations".

| Value      | Description  |
|------------|--|
| 0xFFFFFFFF | Bits [31:0] each enable protection on a 2-KB block of Flash memory up to the total of 64 KB. |



**Register 10: User Debug (USER\_DBG), offset 0x1D0**

**Note:** Offset is relative to System Control base address of 0x400FE000.

This register provides a write-once mechanism to disable external debugger access to the device in addition to 27 additional bits of user-defined data. The DBG0 bit (bit 0) is set to 0 from the factory and the DBG1 bit (bit 1) is set to 1, which enables external debuggers. Changing the DBG1 bit to 0 disables any external debugger access to the device permanently, starting with the next power-up cycle of the device. The NW bit (bit 31) indicates that the register has not yet been committed and is controlled through hardware to ensure that the register is only committed once. Prior to being committed, bits can only be changed from 1 to 0. The reset value shown only applies to power-on reset; any other type of reset does not affect this register. Once committed, this register cannot be restored to the factory default value.

**User Debug (USER\_DBG)**

Base 0x400F.E000

Offset 0x1D0

Type R/W, reset 0xFFFF.FFFE

|       |      |      |     |     |     |     |     |     |     |     |     |     |     |     |     |      |      |  |  |  |  |  |  |  |  |  |  |  |
|-------|------|------|-----|-----|-----|-----|-----|-----|-----|-----|-----|-----|-----|-----|-----|------|------|--|--|--|--|--|--|--|--|--|--|--|
|       | 31   | 30   | 29  | 28  | 27  | 26  | 25  | 24  | 23  | 22  | 21  | 20  | 19  | 18  | 17  | 16   |      |  |  |  |  |  |  |  |  |  |  |  |
|       | NW   | DATA |     |     |     |     |     |     |     |     |     |     |     |     |     |      |      |  |  |  |  |  |  |  |  |  |  |  |
| Type  | R/W  | R/W  | R/W | R/W | R/W | R/W | R/W | R/W | R/W | R/W | R/W | R/W | R/W | R/W | R/W | R/W  | R/W  |  |  |  |  |  |  |  |  |  |  |  |
| Reset | 1    | 1    | 1   | 1   | 1   | 1   | 1   | 1   | 1   | 1   | 1   | 1   | 1   | 1   | 1   | 1    | 1    |  |  |  |  |  |  |  |  |  |  |  |
|       | 15   | 14   | 13  | 12  | 11  | 10  | 9   | 8   | 7   | 6   | 5   | 4   | 3   | 2   | 1   | 0    |      |  |  |  |  |  |  |  |  |  |  |  |
|       | DATA |      |     |     |     |     |     |     |     |     |     |     |     |     |     | DBG1 | DBG0 |  |  |  |  |  |  |  |  |  |  |  |
| Type  | R/W  | R/W  | R/W | R/W | R/W | R/W | R/W | R/W | R/W | R/W | R/W | R/W | R/W | R/W | R/W | R/W  | R/W  |  |  |  |  |  |  |  |  |  |  |  |
| Reset | 1    | 1    | 1   | 1   | 1   | 1   | 1   | 1   | 1   | 1   | 1   | 1   | 1   | 1   | 1   | 1    | 0    |  |  |  |  |  |  |  |  |  |  |  |

| Bit/Field | Name | Type | Reset      | Description   |
|-----------|------|------|------------|---|
| 31        | NW   | R/W  | 1          | User Debug Not Written<br><br>When set, this bit indicates that this 32-bit register has not been committed. When clear, this bit specifies that this register has been committed and may not be committed again. |
| 30:2      | DATA | R/W  | 0x1FFFFFFF | User Data<br><br>Contains the user data value. This field is initialized to all 1s and can only be committed once.  |
| 1         | DBG1 | R/W  | 1          | Debug Control 1<br><br>The DBG1 bit must be 1 and DBG0 must be 0 for debug to be available.   |
| 0         | DBG0 | R/W  | 0          | Debug Control 0<br><br>The DBG1 bit must be 1 and DBG0 must be 0 for debug to be available.   |

### Register 11: User Register 0 (USER\_REG0), offset 0x1E0

**Note:** Offset is relative to System Control base address of 0x400FE000.

This register provides 31 bits of user-defined data that is non-volatile and can only be committed once. Bit 31 indicates that the register is available to be committed and is controlled through hardware to ensure that the register is only committed once. Prior to being committed, bits can only be changed from 1 to 0. The reset value shown only applies to power-on reset; any other type of reset does not affect this register. The write-once characteristics of this register are useful for keeping static information like communication addresses that need to be unique per part and would otherwise require an external EEPROM or other non-volatile device. Once committed, this register cannot be restored to the factory default value.

#### User Register 0 (USER\_REG0)

Base 0x400F.E000  
 Offset 0x1E0  
 Type R/W, reset 0xFFFF.FFFF

|       |      |      |     |     |     |     |     |     |     |     |     |     |     |     |     |     |
|-------|------|------|-----|-----|-----|-----|-----|-----|-----|-----|-----|-----|-----|-----|-----|-----|
|       | 31   | 30   | 29  | 28  | 27  | 26  | 25  | 24  | 23  | 22  | 21  | 20  | 19  | 18  | 17  | 16  |
|       | NW   | DATA |     |     |     |     |     |     |     |     |     |     |     |     |     |     |
| Type  | R/W  | R/W  | R/W | R/W | R/W | R/W | R/W | R/W | R/W | R/W | R/W | R/W | R/W | R/W | R/W | R/W |
| Reset | 1    | 1    | 1   | 1   | 1   | 1   | 1   | 1   | 1   | 1   | 1   | 1   | 1   | 1   | 1   | 1   |
|       | 15   | 14   | 13  | 12  | 11  | 10  | 9   | 8   | 7   | 6   | 5   | 4   | 3   | 2   | 1   | 0   |
|       | DATA |      |     |     |     |     |     |     |     |     |     |     |     |     |     |     |
| Type  | R/W  | R/W  | R/W | R/W | R/W | R/W | R/W | R/W | R/W | R/W | R/W | R/W | R/W | R/W | R/W | R/W |
| Reset | 1    | 1    | 1   | 1   | 1   | 1   | 1   | 1   | 1   | 1   | 1   | 1   | 1   | 1   | 1   | 1   |

| Bit/Field | Name | Type | Reset      | Description  |
|-----------|------|------|------------|--|
| 31        | NW   | R/W  | 1          | Not Written<br><br>When set, this bit indicates that this 32-bit register has not been committed. When clear, this bit specifies that this register has been committed and may not be committed again. |
| 30:0      | DATA | R/W  | 0x7FFFFFFF | User Data<br><br>Contains the user data value. This field is initialized to all 1s and can only be committed once.   |

**Register 12: User Register 1 (USER\_REG1), offset 0x1E4**

**Note:** Offset is relative to System Control base address of 0x400FE000.

This register provides 31 bits of user-defined data that is non-volatile and can only be committed once. Bit 31 indicates that the register is available to be committed and is controlled through hardware to ensure that the register is only committed once. Prior to being committed, bits can only be changed from 1 to 0. The reset value shown only applies to power-on reset; any other type of reset does not affect this register. The write-once characteristics of this register are useful for keeping static information like communication addresses that need to be unique per part and would otherwise require an external EEPROM or other non-volatile device. Once committed, this register cannot be restored to the factory default value.

**User Register 1 (USER\_REG1)**

Base 0x400F.E000

Offset 0x1E4

Type R/W, reset 0xFFFF.FFFF

|       |      |      |     |     |     |     |     |     |     |     |     |     |     |     |     |     |
|-------|------|------|-----|-----|-----|-----|-----|-----|-----|-----|-----|-----|-----|-----|-----|-----|
|       | 31   | 30   | 29  | 28  | 27  | 26  | 25  | 24  | 23  | 22  | 21  | 20  | 19  | 18  | 17  | 16  |
|       | NW   | DATA |     |     |     |     |     |     |     |     |     |     |     |     |     |     |
| Type  | R/W  | R/W  | R/W | R/W | R/W | R/W | R/W | R/W | R/W | R/W | R/W | R/W | R/W | R/W | R/W | R/W |
| Reset | 1    | 1    | 1   | 1   | 1   | 1   | 1   | 1   | 1   | 1   | 1   | 1   | 1   | 1   | 1   | 1   |
|       | 15   | 14   | 13  | 12  | 11  | 10  | 9   | 8   | 7   | 6   | 5   | 4   | 3   | 2   | 1   | 0   |
|       | DATA |      |     |     |     |     |     |     |     |     |     |     |     |     |     |     |
| Type  | R/W  | R/W  | R/W | R/W | R/W | R/W | R/W | R/W | R/W | R/W | R/W | R/W | R/W | R/W | R/W | R/W |
| Reset | 1    | 1    | 1   | 1   | 1   | 1   | 1   | 1   | 1   | 1   | 1   | 1   | 1   | 1   | 1   | 1   |

| Bit/Field | Name | Type | Reset      | Description  |
|-----------|------|------|------------|--|
| 31        | NW   | R/W  | 1          | Not Written<br><br>When set, this bit indicates that this 32-bit register has not been committed. When clear, this bit specifies that this register has been committed and may not be committed again. |
| 30:0      | DATA | R/W  | 0x7FFFFFFF | User Data<br><br>Contains the user data value. This field is initialized to all 1s and can only be committed once.   |

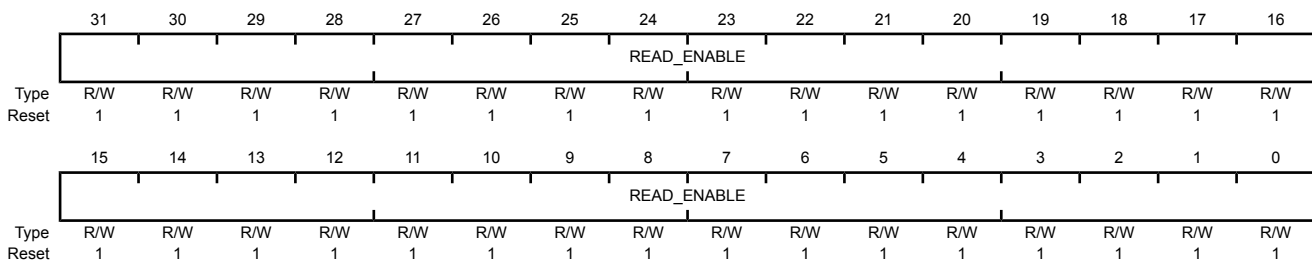
### Register 13: Flash Memory Protection Read Enable 1 (FMPRE1), offset 0x204

**Note:** Offset is relative to System Control base address of 0x400FE000.

This register stores the read-only protection bits for each 2-KB flash block (**FMPPEn** stores the execute-only bits). Flash memory up to a total of 64 KB is controlled by this register. Other **FMPREn** registers (if any) provide protection for other 64K blocks. This register is loaded during the power-on reset sequence. The factory settings for the **FMPREN** and **FMPPEn** registers are a value of 1 for all implemented banks. This achieves a policy of open access and programmability. The register bits may be changed by writing the specific register bit. However, this register is R/W0; the user can only change the protection bit from a 1 to a 0 (and may NOT change a 0 to a 1). The changes are not permanent until the register is committed (saved), at which point the bit change is permanent. If a bit is changed from a 1 to a 0 and not committed, it may be restored by executing a power-on reset sequence. The reset value shown only applies to power-on reset; any other type of reset does not affect this register. If the Flash memory size on the device is less than 64 KB, this register usually reads as zeroes, but software should not rely on these bits to be zero. For additional information, see the "Flash Memory Protection" section.

#### Flash Memory Protection Read Enable 1 (FMPRE1)

Base 0x400F.E000  
 Offset 0x204  
 Type R/W, reset 0xFFFF.FFFF



| Bit/Field | Name        | Type | Reset      | Description  |
|-----------|-------------|------|------------|--|
| 31:0      | READ_ENABLE | R/W  | 0xFFFFFFFF | Flash Read Enable. Enables 2-KB Flash memory blocks to be executed or read. The policies may be combined as shown in the table "Flash Protection Policy Combinations". |
|           |             |      |            | Value            Description   |
|           |             |      |            | 0xFFFFFFFF Bits [31:0] each enable protection on a 2-KB block of Flash memory in memory range from 65 to 128 KB.   |

**Register 14: Flash Memory Protection Read Enable 2 (FMPRE2), offset 0x208**

**Note:** Offset is relative to System Control base address of 0x400FE000.

This register stores the read-only protection bits for each 2-KB flash block (**FMPPEn** stores the execute-only bits). This register is loaded during the power-on reset sequence. The factory settings for the **FMPREN** and **FMPPEn** registers are a value of 1 for all implemented banks. This achieves a policy of open access and programmability. The register bits may be changed by writing the specific register bit. However, this register is R/W0; the user can only change the protection bit from a 1 to a 0 (and may NOT change a 0 to a 1). For additional information, see the "Flash Memory Protection" section.

## Flash Memory Protection Read Enable 2 (FMPRE2)

Base 0x400F.E000

Offset 0x208

Type R/W, reset 0xFFFF.FFFF

|       | 31          | 30  | 29  | 28  | 27  | 26  | 25  | 24  | 23  | 22  | 21  | 20  | 19  | 18  | 17  | 16  |
|-------|-------------|-----|-----|-----|-----|-----|-----|-----|-----|-----|-----|-----|-----|-----|-----|-----|
|       | READ_ENABLE |     |     |     |     |     |     |     |     |     |     |     |     |     |     |     |
| Type  | R/W         | R/W | R/W | R/W | R/W | R/W | R/W | R/W | R/W | R/W | R/W | R/W | R/W | R/W | R/W | R/W |
| Reset | 1           | 1   | 1   | 1   | 1   | 1   | 1   | 1   | 1   | 1   | 1   | 1   | 1   | 1   | 1   | 1   |
|       | 15          | 14  | 13  | 12  | 11  | 10  | 9   | 8   | 7   | 6   | 5   | 4   | 3   | 2   | 1   | 0   |
|       | READ_ENABLE |     |     |     |     |     |     |     |     |     |     |     |     |     |     |     |
| Type  | R/W         | R/W | R/W | R/W | R/W | R/W | R/W | R/W | R/W | R/W | R/W | R/W | R/W | R/W | R/W | R/W |
| Reset | 1           | 1   | 1   | 1   | 1   | 1   | 1   | 1   | 1   | 1   | 1   | 1   | 1   | 1   | 1   | 1   |

| Bit/Field | Name        | Type | Reset      | Description       |
|-----------|-------------|------|------------|-------------------|
| 31:0      | READ_ENABLE | R/W  | 0xFFFFFFFF | Flash Read Enable |

Enables 2-KB flash blocks to be executed or read. The policies may be combined as shown in the table "Flash Protection Policy Combinations".

| Value      | Description              |
|------------|--------------------------|
| 0xFFFFFFFF | Enables 256 KB of flash. |

**Register 15: Flash Memory Protection Read Enable 3 (FMPRE3), offset 0x20C**

**Note:** Offset is relative to System Control base address of 0x400FE000.

This register stores the read-only protection bits for each 2-KB flash block (**FMPPEn** stores the execute-only bits). This register is loaded during the power-on reset sequence. The factory settings for the **FMPREN** and **FMPPEn** registers are a value of 1 for all implemented banks. This achieves a policy of open access and programmability. The register bits may be changed by writing the specific register bit. However, this register is R/W0; the user can only change the protection bit from a 1 to a 0 (and may NOT change a 0 to a 1). The changes are not permanent until the register is committed (saved), at which point the bit change is permanent. If a bit is changed from a 1 to a 0 and not committed, it may be restored by executing a power-on reset sequence. For additional information, see the "Flash Memory Protection" section.

## Flash Memory Protection Read Enable 3 (FMPRE3)

Base 0x400F.E000

Offset 0x20C

Type R/W, reset 0xFFFFFFFF

|       | 31          | 30  | 29  | 28  | 27  | 26  | 25  | 24  | 23  | 22  | 21  | 20  | 19  | 18  | 17  | 16  |
|-------|-------------|-----|-----|-----|-----|-----|-----|-----|-----|-----|-----|-----|-----|-----|-----|-----|
|       | READ_ENABLE |     |     |     |     |     |     |     |     |     |     |     |     |     |     |     |
| Type  | R/W         | R/W | R/W | R/W | R/W | R/W | R/W | R/W | R/W | R/W | R/W | R/W | R/W | R/W | R/W | R/W |
| Reset | 1           | 1   | 1   | 1   | 1   | 1   | 1   | 1   | 1   | 1   | 1   | 1   | 1   | 1   | 1   | 1   |
|       | 15          | 14  | 13  | 12  | 11  | 10  | 9   | 8   | 7   | 6   | 5   | 4   | 3   | 2   | 1   | 0   |
|       | READ_ENABLE |     |     |     |     |     |     |     |     |     |     |     |     |     |     |     |
| Type  | R/W         | R/W | R/W | R/W | R/W | R/W | R/W | R/W | R/W | R/W | R/W | R/W | R/W | R/W | R/W | R/W |
| Reset | 1           | 1   | 1   | 1   | 1   | 1   | 1   | 1   | 1   | 1   | 1   | 1   | 1   | 1   | 1   | 1   |

| Bit/Field | Name        | Type | Reset      | Description       |
|-----------|-------------|------|------------|-------------------|
| 31:0      | READ_ENABLE | R/W  | 0xFFFFFFFF | Flash Read Enable |

Enables 2-KB flash blocks to be executed or read. The policies may be combined as shown in the table "Flash Protection Policy Combinations".

| Value      | Description              |
|------------|--------------------------|
| 0xFFFFFFFF | Enables 256 KB of flash. |

## Register 16: Flash Memory Protection Program Enable 1 (FMPPE1), offset 0x404

**Note:** Offset is relative to System Control base address of 0x400FE000.

This register stores the execute-only protection bits for each 2-KB flash block (**FMPPE<sub>n</sub>** stores the execute-only bits). Flash memory up to a total of 64 KB is controlled by this register. Other **FMPPE<sub>n</sub>** registers (if any) provide protection for other 64K blocks. This register is loaded during the power-on reset sequence. The factory settings for the **FMPPE<sub>n</sub>** and **FMPPE<sub>n</sub>** registers are a value of 1 for all implemented banks. This achieves a policy of open access and programmability. The register bits may be changed by writing the specific register bit. However, this register is R/W0; the user can only change the protection bit from a 1 to a 0 (and may NOT change a 0 to a 1). The changes are not permanent until the register is committed (saved), at which point the bit change is permanent. If a bit is changed from a 1 to a 0 and not committed, it may be restored by executing a power-on reset sequence. The reset value shown only applies to power-on reset; any other type of reset does not affect this register. If the Flash memory size on the device is less than 64 KB, this register usually reads as zeroes, but software should not rely on these bits to be zero. For additional information, see the "Flash Memory Protection" section.

### Flash Memory Protection Program Enable 1 (FMPPE1)

Base 0x400F.E000

Offset 0x404

Type R/W, reset 0xFFFF.FFFF

|       | 31          | 30  | 29  | 28  | 27  | 26  | 25  | 24  | 23  | 22  | 21  | 20  | 19  | 18  | 17  | 16  |
|-------|-------------|-----|-----|-----|-----|-----|-----|-----|-----|-----|-----|-----|-----|-----|-----|-----|
|       | PROG_ENABLE |     |     |     |     |     |     |     |     |     |     |     |     |     |     |     |
| Type  | R/W         | R/W | R/W | R/W | R/W | R/W | R/W | R/W | R/W | R/W | R/W | R/W | R/W | R/W | R/W | R/W |
| Reset | 1           | 1   | 1   | 1   | 1   | 1   | 1   | 1   | 1   | 1   | 1   | 1   | 1   | 1   | 1   | 1   |
|       | 15          | 14  | 13  | 12  | 11  | 10  | 9   | 8   | 7   | 6   | 5   | 4   | 3   | 2   | 1   | 0   |
|       | PROG_ENABLE |     |     |     |     |     |     |     |     |     |     |     |     |     |     |     |
| Type  | R/W         | R/W | R/W | R/W | R/W | R/W | R/W | R/W | R/W | R/W | R/W | R/W | R/W | R/W | R/W | R/W |
| Reset | 1           | 1   | 1   | 1   | 1   | 1   | 1   | 1   | 1   | 1   | 1   | 1   | 1   | 1   | 1   | 1   |

| Bit/Field | Name        | Type | Reset      | Description              |
|-----------|-------------|------|------------|--------------------------|
| 31:0      | PROG_ENABLE | R/W  | 0xFFFFFFFF | Flash Programming Enable |

| Value      | Description   |
|------------|---|
| 0xFFFFFFFF | Bits [31:0] each enable protection on a 2-KB block of Flash memory in memory range from 65 to 128 KB. |

## Register 17: Flash Memory Protection Program Enable 2 (FMPPE2), offset 0x408

**Note:** Offset is relative to System Control base address of 0x400FE000.

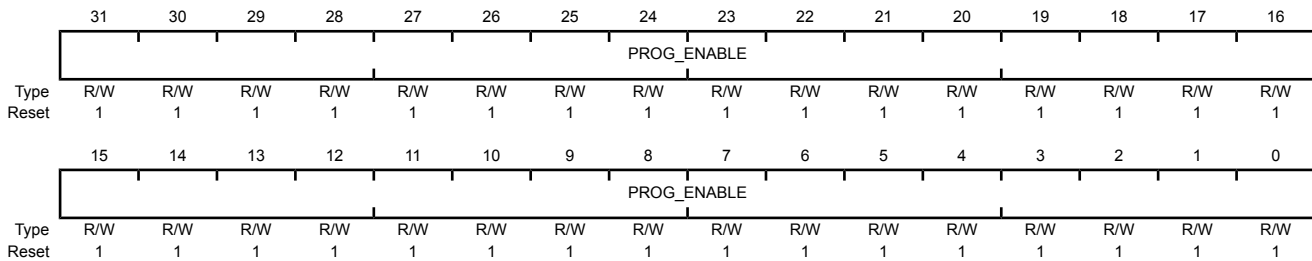
This register stores the execute-only protection bits for each 2-KB flash block (**FMPPE<sub>n</sub>** stores the execute-only bits). This register is loaded during the power-on reset sequence. The factory settings for the **FMPPE<sub>n</sub>** and **FMPPE<sub>n</sub>** registers are a value of 1 for all implemented banks. This achieves a policy of open access and programmability. The register bits may be changed by writing the specific register bit. However, this register is R/W0; the user can only change the protection bit from a 1 to a 0 (and may NOT change a 0 to a 1). The changes are not permanent until the register is committed (saved), at which point the bit change is permanent. If a bit is changed from a 1 to a 0 and not committed, it may be restored by executing a power-on reset sequence. For additional information, see the "Flash Memory Protection" section.

### Flash Memory Protection Program Enable 2 (FMPPE2)

Base 0x400F.E000

Offset 0x408

Type R/W, reset 0xFFFF.FFFF



| Bit/Field | Name        | Type | Reset      | Description              |
|-----------|-------------|------|------------|--------------------------|
| 31:0      | PROG_ENABLE | R/W  | 0xFFFFFFFF | Flash Programming Enable |

Configures 2-KB flash blocks to be execute only. The policies may be combined as shown in the table "Flash Protection Policy Combinations".

| Value      | Description              |
|------------|--------------------------|
| 0xFFFFFFFF | Enables 256 KB of flash. |



## Register 18: Flash Memory Protection Program Enable 3 (FMPPE3), offset 0x40C

**Note:** Offset is relative to System Control base address of 0x400FE000.

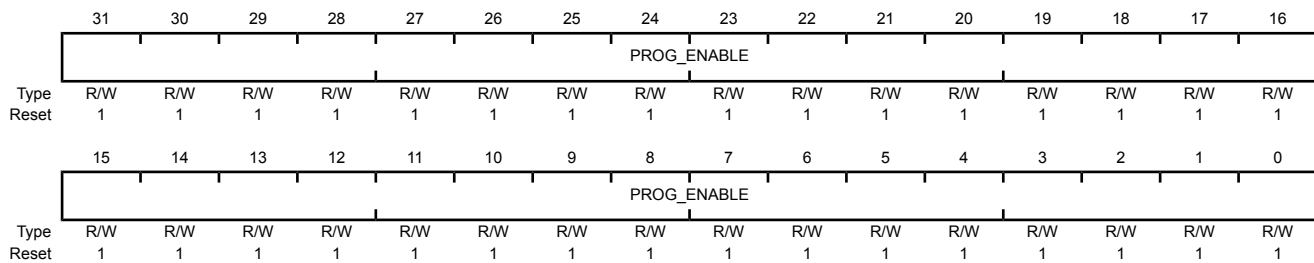
This register stores the execute-only protection bits for each 2-KB flash block (**FMPPEn** stores the execute-only bits). This register is loaded during the power-on reset sequence. The factory settings for the **FMPPEn** and **FMPREN** registers are a value of 1 for all implemented banks. This achieves a policy of open access and programmability. The register bits may be changed by writing the specific register bit. However, this register is R/W0; the user can only change the protection bit from a 1 to a 0 (and may NOT change a 0 to a 1). The changes are not permanent until the register is committed (saved), at which point the bit change is permanent. If a bit is changed from a 1 to a 0 and not committed, it may be restored by executing a power-on reset sequence. For additional information, see the "Flash Memory Protection" section.

### Flash Memory Protection Program Enable 3 (FMPPE3)

Base 0x400F.E000

Offset 0x40C

Type R/W, reset 0xFFFF.FFFF



| Bit/Field | Name        | Type | Reset      | Description              |
|-----------|-------------|------|------------|--------------------------|
| 31:0      | PROG_ENABLE | R/W  | 0xFFFFFFFF | Flash Programming Enable |

Configures 2-KB flash blocks to be execute only. The policies may be combined as shown in the table "Flash Protection Policy Combinations".

| Value      | Description              |
|------------|--------------------------|
| 0xFFFFFFFF | Enables 256 KB of flash. |

## 9 General-Purpose Input/Outputs (GPIOs)

The GPIO module is composed of eight physical GPIO blocks, each corresponding to an individual GPIO port (Port A, Port B, Port C, Port D, Port E, Port F, Port G, Port H). The GPIO module supports 10-46 programmable input/output pins, depending on the peripherals being used.

The GPIO module has the following features:

- 10-46 GPIOs, depending on configuration
- 5-V-tolerant input/outputs
- Programmable control for GPIO interrupts
  - Interrupt generation masking
  - Edge-triggered on rising, falling, or both
  - Level-sensitive on High or Low values
- Bit masking in both read and write operations through address lines
- Pins configured as digital inputs are Schmitt-triggered.
- Programmable control for GPIO pad configuration
  - Weak pull-up or pull-down resistors
  - 2-mA, 4-mA, and 8-mA pad drive for digital communication; up to four pads can be configured with an 18-mA pad drive for high-current applications
  - Slew rate control for the 8-mA drive
  - Open drain enables
  - Digital input enables

### 9.1 Functional Description

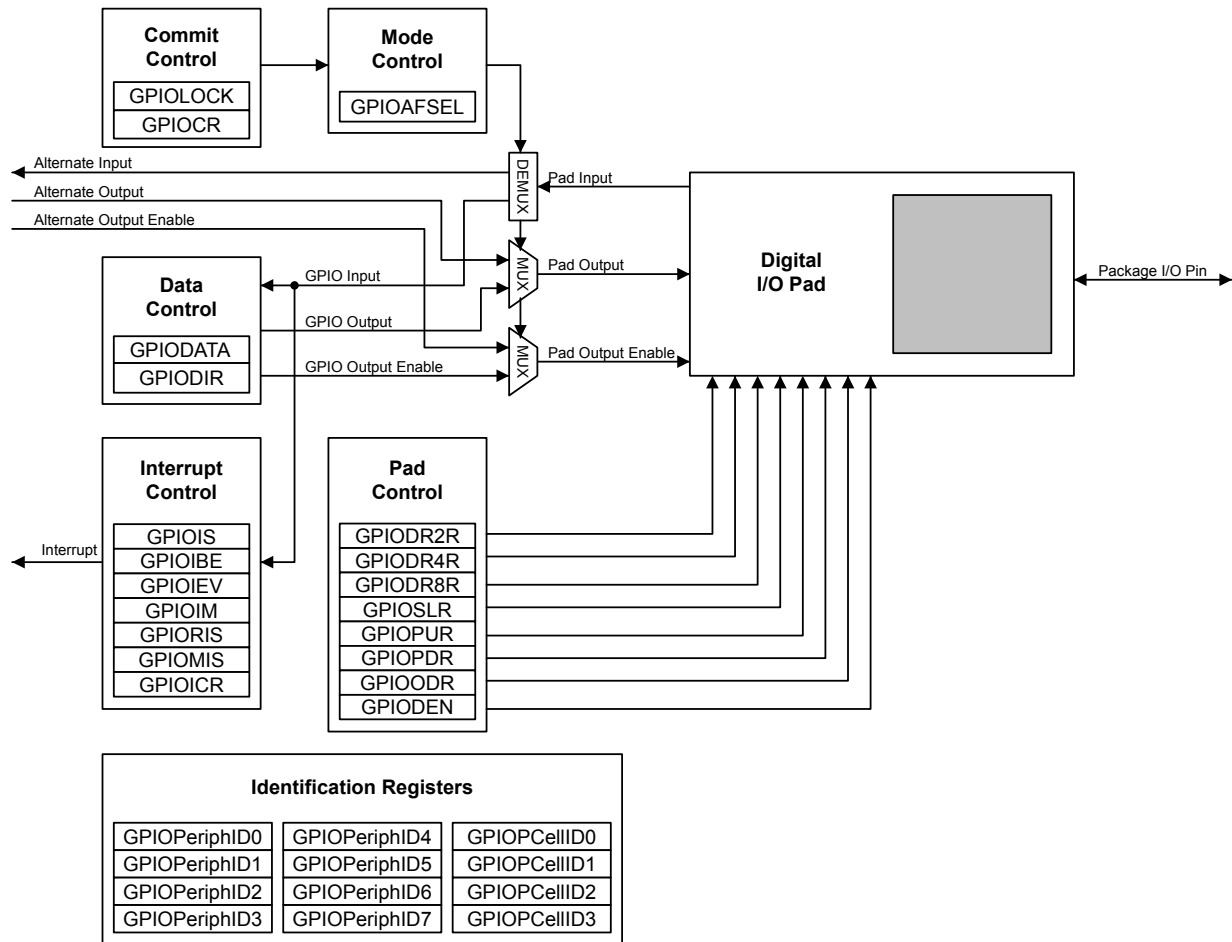
---

**Important:** All GPIO pins are tri-stated by default (**GPIOAFSEL=0**, **GPIODEN=0**, **GPIOPDR=0**, and **GPIOPUR=0**), with the exception of the five JTAG/SWD pins (**PB7** and **PC[3:0]**). The JTAG/SWD pins default to their JTAG/SWD functionality (**GPIOAFSEL=1**, **GPIODEN=1** and **GPIOPUR=1**). A Power-On-Reset (**POR**) or asserting **RST** puts both groups of pins back to their default state.

---

Each GPIO port is a separate hardware instantiation of the same physical block (see Figure 9-1 on page 171). The LM3S6911 microcontroller contains eight ports and thus eight of these physical GPIO blocks.

Figure 9-1. GPIO Port Block Diagram



## 9.1.1 Data Control

The data control registers allow software to configure the operational modes of the GPIOs. The data direction register configures the GPIO as an input or an output while the data register either captures incoming data or drives it out to the pads.

### 9.1.1.1 Data Direction Operation

The **GPIO Direction (GPIODIR)** register (see page 178) is used to configure each individual pin as an input or output. When the data direction bit is set to 0, the GPIO is configured as an input and the corresponding data register bit will capture and store the value on the GPIO port. When the data direction bit is set to 1, the GPIO is configured as an output and the corresponding data register bit will be driven out on the GPIO port.

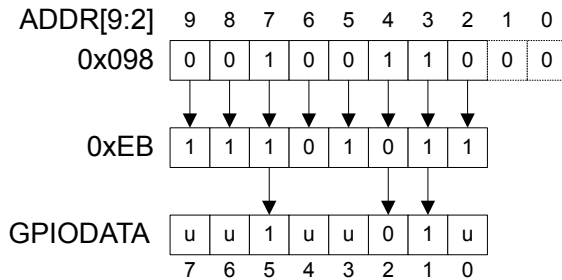
### 9.1.1.2 Data Register Operation

To aid in the efficiency of software, the GPIO ports allow for the modification of individual bits in the **GPIO Data (GPIODATA)** register (see page 177) by using bits [9:2] of the address bus as a mask. This allows software drivers to modify individual GPIO pins in a single instruction, without affecting the state of the other pins. This is in contrast to the "typical" method of doing a read-modify-write operation to set or clear an individual GPIO pin. To accommodate this feature, the **GPIODATA** register covers 256 locations in the memory map.

During a write, if the address bit associated with that data bit is set to 1, the value of the **GPIO DATA** register is altered. If it is cleared to 0, it is left unchanged.

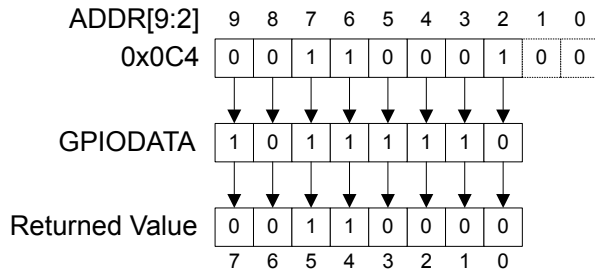
For example, writing a value of 0xEB to the address **GPIO DATA** + 0x098 would yield as shown in Figure 9-2 on page 172, where *u* is data unchanged by the write.

**Figure 9-2. GPIO DATA Write Example**



During a read, if the address bit associated with the data bit is set to 1, the value is read. If the address bit associated with the data bit is set to 0, it is read as a zero, regardless of its actual value. For example, reading address **GPIO DATA** + 0x0C4 yields as shown in Figure 9-3 on page 172.

**Figure 9-3. GPIO DATA Read Example**



### 9.1.2 Interrupt Control

The interrupt capabilities of each GPIO port are controlled by a set of seven registers. With these registers, it is possible to select the source of the interrupt, its polarity, and the edge properties. When one or more GPIO inputs cause an interrupt, a single interrupt output is sent to the interrupt controller for the entire GPIO port. For edge-triggered interrupts, software must clear the interrupt to enable any further interrupts. For a level-sensitive interrupt, it is assumed that the external source holds the level constant for the interrupt to be recognized by the controller.

Three registers are required to define the edge or sense that causes interrupts:

- **GPIO Interrupt Sense (GPIOIS)** register (see page 179)
- **GPIO Interrupt Both Edges (GPIOIBE)** register (see page 180)
- **GPIO Interrupt Event (GPIOIEV)** register (see page 181)

Interrupts are enabled/disabled via the **GPIO Interrupt Mask (GPIOIM)** register (see page 182).

When an interrupt condition occurs, the state of the interrupt signal can be viewed in two locations: the **GPIO Raw Interrupt Status (GPIORIS)** and **GPIO Masked Interrupt Status (GPIOMIS)** registers (see page 183 and page 184). As the name implies, the **GPIOMIS** register only shows interrupt

conditions that are allowed to be passed to the controller. The **GPIORIS** register indicates that a GPIO pin meets the conditions for an interrupt, but has not necessarily been sent to the controller.

Interrupts are cleared by writing a 1 to the appropriate bit of the **GPIO Interrupt Clear (GPIOICR)** register (see page 185).

When programming the following interrupt control registers, the interrupts should be masked (**GPIOIM** set to 0). Writing any value to an interrupt control register (**GPIOIS**, **GPIOIBE**, or **GPIOIEV**) can generate a spurious interrupt if the corresponding bits are enabled.

### 9.1.3 Mode Control

The GPIO pins can be controlled by either hardware or software. When hardware control is enabled via the **GPIO Alternate Function Select (GPIOAFSEL)** register (see page 186), the pin state is controlled by its alternate function (that is, the peripheral). Software control corresponds to GPIO mode, where the **GPIO DATA** register is used to read/write the corresponding pins.

### 9.1.4 Commit Control

The GPIO commit control registers provide a layer of protection against accidental programming of critical hardware peripherals. Protection is currently provided for the five JTAG/SWD pins ( $PB7$  and  $PC[3:0]$ ). Writes to protected bits of the **GPIO Alternate Function Select (GPIOAFSEL)** register (see page 186) are not committed to storage unless the **GPIO Lock (GPIOLOCK)** register (see page 196) has been unlocked and the appropriate bits of the **GPIO Commit (GPIOCR)** register (see page 197) have been set to 1.

### 9.1.5 Pad Control

The pad control registers allow for GPIO pad configuration by software based on the application requirements. The pad control registers include the **GPIO DR2R**, **GPIO DR4R**, **GPIO DR8R**, **GPIO DR**, **GPIO PUR**, **GPIO PDR**, **GPIO SLR**, and **GPIO DEN** registers. These registers control drive strength, open-drain configuration, pull-up and pull-down resistors, slew-rate control and digital input enable.

For special high-current applications, the GPIO output buffers may be used with the following restrictions. With the GPIO pins configured as 8-mA output drivers, a total of four GPIO outputs may be used to sink current loads up to 18 mA each. At 18-mA sink current loading, the  $V_{OL}$  value is specified as 1.2 V. The high-current GPIO package pins must be selected such that there are only a maximum of two per side of the physical package or BGA pin group with the total number of high-current GPIO outputs not exceeding four for the entire package.

### 9.1.6 Identification

The identification registers configured at reset allow software to detect and identify the module as a GPIO block. The identification registers include the **GPIO PeriphID0-GPIO PeriphID7** registers as well as the **GPIO CellID0-GPIO CellID3** registers.

## 9.2 Initialization and Configuration

To use the GPIO, the peripheral clock must be enabled by setting the appropriate GPIO Port bit field (**GPIO<sub>n</sub>**) in the **RCGC2** register.

On reset, all GPIO pins (except for the five JTAG pins) are configured out of reset to be undriven (tristate): **GPIOAFSEL=0**, **GPIO DEN=0**, **GPIO PDR=0**, and **GPIO PUR=0**. Table 9-1 on page 174 shows all possible configurations of the GPIO pads and the control register settings required to achieve them. Table 9-2 on page 174 shows how a rising edge interrupt would be configured for pin 2 of a GPIO port.

**Table 9-1. GPIO Pad Configuration Examples**

| Configuration                              | GPIO Register Bit Value <sup>a</sup> |     |     |     |     |     |      |      |      |     |
|--|--------------------------------------|-----|-----|-----|-----|-----|------|------|------|-----|
|  | AFSEL                                | DIR | ODR | DEN | PUR | PDR | DR2R | DR4R | DR8R | SLR |
| Digital Input (GPIO)                       | 0                                    | 0   | 0   | 1   | ?   | ?   | X    | X    | X    | X   |
| Digital Output (GPIO)                      | 0                                    | 1   | 0   | 1   | ?   | ?   | ?    | ?    | ?    | ?   |
| Open Drain Output (GPIO)                   | 0                                    | 1   | 1   | 1   | X   | X   | ?    | ?    | ?    | ?   |
| Open Drain Input/Output (I <sup>2</sup> C) | 1                                    | X   | 1   | 1   | X   | X   | ?    | ?    | ?    | ?   |
| Digital Input (Timer CCP)                  | 1                                    | X   | 0   | 1   | ?   | ?   | X    | X    | X    | X   |
| Digital Output (Timer PWM)                 | 1                                    | X   | 0   | 1   | ?   | ?   | ?    | ?    | ?    | ?   |
| Digital Input/Output (SSI)                 | 1                                    | X   | 0   | 1   | ?   | ?   | ?    | ?    | ?    | ?   |
| Digital Input/Output (UART)                | 1                                    | X   | 0   | 1   | ?   | ?   | ?    | ?    | ?    | ?   |
| Analog Input (Comparator)                  | 0                                    | 0   | 0   | 0   | 0   | 0   | X    | X    | X    | X   |
| Digital Output (Comparator)                | 1                                    | X   | 0   | 1   | ?   | ?   | ?    | ?    | ?    | ?   |

a. X=Ignored (don't care bit)

?=Can be either 0 or 1, depending on the configuration

**Table 9-2. GPIO Interrupt Configuration Example**

| Register | Desired Interrupt Event Trigger                                 | Pin 2 Bit Value <sup>a</sup> |   |   |   |   |   |   |   |
|----------|---|------------------------------|---|---|---|---|---|---|---|
|          |   | 7                            | 6 | 5 | 4 | 3 | 2 | 1 | 0 |
| GPIOIS   | 0=edge<br>1=level   | X                            | X | X | X | X | 0 | X | X |
| GPIOIBE  | 0=single edge<br>1=both edges                                   | X                            | X | X | X | X | 0 | X | X |
| GPIOIEV  | 0=Low level, or negative edge<br>1=High level, or positive edge | X                            | X | X | X | X | 1 | X | X |
| GPIOIM   | 0=masked<br>1=not masked  | 0                            | 0 | 0 | 0 | 0 | 1 | 0 | 0 |

a. X=Ignored (don't care bit)

### 9.3 Register Map

Table 9-3 on page 175 lists the GPIO registers. The offset listed is a hexadecimal increment to the register's address, relative to that GPIO port's base address:

- GPIO Port A: 0x4000.4000
- GPIO Port B: 0x4000.5000
- GPIO Port C: 0x4000.6000
- GPIO Port D: 0x4000.7000
- GPIO Port E: 0x4002.4000
- GPIO Port F: 0x4002.5000
- GPIO Port G: 0x4002.6000
- GPIO Port H: 0x4002.7000

---

**Important:** The GPIO registers in this chapter are duplicated in each GPIO block; however, depending on the block, all eight bits may not be connected to a GPIO pad. In those cases, writing to those unconnected bits has no effect, and reading those unconnected bits returns no meaningful data.

---

**Note:** The default reset value for the **GPIOAFSEL**, **GPIOPUR**, and **GPIODEN** registers are 0x0000.0000 for all GPIO pins, with the exception of the five JTAG/SWD pins (**PB7** and **PC[3:0]**). These five pins default to JTAG/SWD functionality. Because of this, the default reset value of these registers for GPIO Port B is 0x0000.0080 while the default reset value for Port C is 0x0000.000F.

The default register type for the **GPIOCR** register is RO for all GPIO pins with the exception of the five JTAG/SWD pins (**PB7** and **PC[3:0]**). These five pins are currently the only GPIOs that are protected by the **GPIOCR** register. Because of this, the register type for GPIO Port B7 and GPIO Port C[3:0] is R/W.

The default reset value for the **GPIOCR** register is 0x0000.00FF for all GPIO pins, with the exception of the five JTAG/SWD pins (**PB7** and **PC[3:0]**). To ensure that the JTAG port is not accidentally programmed as a GPIO, these five pins default to non-committable. Because of this, the default reset value of **GPIOCR** for GPIO Port B is 0x0000.007F while the default reset value of GPIOCR for Port C is 0x0000.00F0.

**Table 9-3. GPIO Register Map**

| Offset | Name        | Type | Reset       | Description                    | See page |
|--------|-------------|------|-------------|--------------------------------|----------|
| 0x000  | GPIONDATA   | R/W  | 0x0000.0000 | GPIO Data                      | 177      |
| 0x400  | GPIONDIR    | R/W  | 0x0000.0000 | GPIO Direction                 | 178      |
| 0x404  | GPIONOIS    | R/W  | 0x0000.0000 | GPIO Interrupt Sense           | 179      |
| 0x408  | GPIONOIBE   | R/W  | 0x0000.0000 | GPIO Interrupt Both Edges      | 180      |
| 0x40C  | GPIONOIEV   | R/W  | 0x0000.0000 | GPIO Interrupt Event           | 181      |
| 0x410  | GPIONOIM    | R/W  | 0x0000.0000 | GPIO Interrupt Mask            | 182      |
| 0x414  | GPIONORIS   | RO   | 0x0000.0000 | GPIO Raw Interrupt Status      | 183      |
| 0x418  | GPIONOMIS   | RO   | 0x0000.0000 | GPIO Masked Interrupt Status   | 184      |
| 0x41C  | GPIONOICR   | W1C  | 0x0000.0000 | GPIO Interrupt Clear           | 185      |
| 0x420  | GPIONOAFSEL | R/W  | -           | GPIO Alternate Function Select | 186      |
| 0x500  | GPIONODR2R  | R/W  | 0x0000.00FF | GPIO 2-mA Drive Select         | 188      |
| 0x504  | GPIONODR4R  | R/W  | 0x0000.0000 | GPIO 4-mA Drive Select         | 189      |

Table 9-3. GPIO Register Map (continued)

| Offset | Name           | Type | Reset       | Description                      | See page |
|--------|----------------|------|-------------|----------------------------------|----------|
| 0x508  | GPIO DR8R      | R/W  | 0x0000.0000 | GPIO 8-mA Drive Select           | 190      |
| 0x50C  | GPIO ODR       | R/W  | 0x0000.0000 | GPIO Open Drain Select           | 191      |
| 0x510  | GPIO PUR       | R/W  | -           | GPIO Pull-Up Select              | 192      |
| 0x514  | GPIO PDR       | R/W  | 0x0000.0000 | GPIO Pull-Down Select            | 193      |
| 0x518  | GPIO SLR       | R/W  | 0x0000.0000 | GPIO Slew Rate Control Select    | 194      |
| 0x51C  | GPIO DEN       | R/W  | -           | GPIO Digital Enable              | 195      |
| 0x520  | GPIO LOCK      | R/W  | 0x0000.0001 | GPIO Lock                        | 196      |
| 0x524  | GPIO CR        | -    | -           | GPIO Commit                      | 197      |
| 0xFD0  | GPIO PeriphID4 | RO   | 0x0000.0000 | GPIO Peripheral Identification 4 | 199      |
| 0xFD4  | GPIO PeriphID5 | RO   | 0x0000.0000 | GPIO Peripheral Identification 5 | 200      |
| 0xFD8  | GPIO PeriphID6 | RO   | 0x0000.0000 | GPIO Peripheral Identification 6 | 201      |
| 0xFDC  | GPIO PeriphID7 | RO   | 0x0000.0000 | GPIO Peripheral Identification 7 | 202      |
| 0xFE0  | GPIO PeriphID0 | RO   | 0x0000.0061 | GPIO Peripheral Identification 0 | 203      |
| 0xFE4  | GPIO PeriphID1 | RO   | 0x0000.0000 | GPIO Peripheral Identification 1 | 204      |
| 0xFE8  | GPIO PeriphID2 | RO   | 0x0000.0018 | GPIO Peripheral Identification 2 | 205      |
| 0xFEC  | GPIO PeriphID3 | RO   | 0x0000.0001 | GPIO Peripheral Identification 3 | 206      |
| 0xFF0  | GPIO PCelID0   | RO   | 0x0000.000D | GPIO PrimeCell Identification 0  | 207      |
| 0xFF4  | GPIO PCelID1   | RO   | 0x0000.00F0 | GPIO PrimeCell Identification 1  | 208      |
| 0xFF8  | GPIO PCelID2   | RO   | 0x0000.0005 | GPIO PrimeCell Identification 2  | 209      |
| 0xFFC  | GPIO PCelID3   | RO   | 0x0000.00B1 | GPIO PrimeCell Identification 3  | 210      |

## 9.4 Register Descriptions

The remainder of this section lists and describes the GPIO registers, in numerical order by address offset.



### Register 1: GPIO Data (GPIODATA), offset 0x000

The **GPIODATA** register is the data register. In software control mode, values written in the **GPIODATA** register are transferred onto the GPIO port pins if the respective pins have been configured as outputs through the **GPIO Direction (GPIODIR)** register (see page 178).

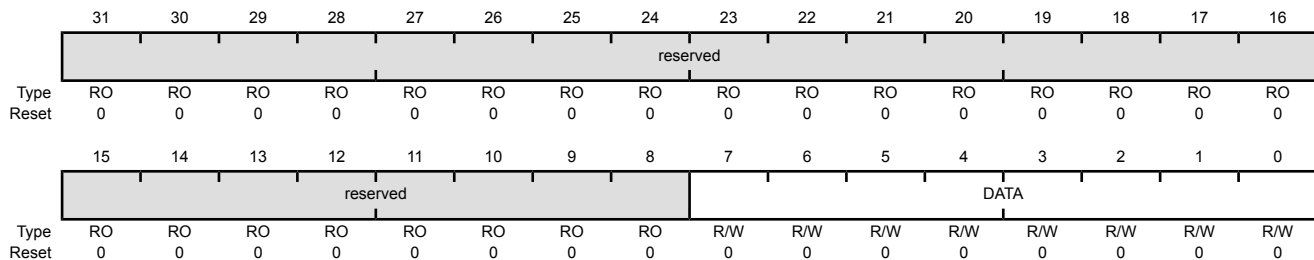
In order to write to **GPIODATA**, the corresponding bits in the mask, resulting from the address bus bits [9:2], must be High. Otherwise, the bit values remain unchanged by the write.

Similarly, the values read from this register are determined for each bit by the mask bit derived from the address used to access the data register, bits [9:2]. Bits that are 1 in the address mask cause the corresponding bits in **GPIODATA** to be read, and bits that are 0 in the address mask cause the corresponding bits in **GPIODATA** to be read as 0, regardless of their value.

A read from **GPIODATA** returns the last bit value written if the respective pins are configured as outputs, or it returns the value on the corresponding input pin when these are configured as inputs. All bits are cleared by a reset.

#### GPIO Data (GPIODATA)

GPIO Port A base: 0x4000.4000  
 GPIO Port B base: 0x4000.5000  
 GPIO Port C base: 0x4000.6000  
 GPIO Port D base: 0x4000.7000  
 GPIO Port E base: 0x4002.4000  
 GPIO Port F base: 0x4002.5000  
 GPIO Port G base: 0x4002.6000  
 GPIO Port H base: 0x4002.7000  
 Offset 0x000  
 Type R/W, reset 0x0000.0000



| Bit/Field | Name     | Type | Reset | Description   |
|-----------|----------|------|-------|---|
| 31:8      | reserved | RO   | 0x00  | Software should not rely on the value of a reserved bit. To provide compatibility with future products, the value of a reserved bit should be preserved across a read-modify-write operation. |
| 7:0       | DATA     | R/W  | 0x00  | GPIO Data   |

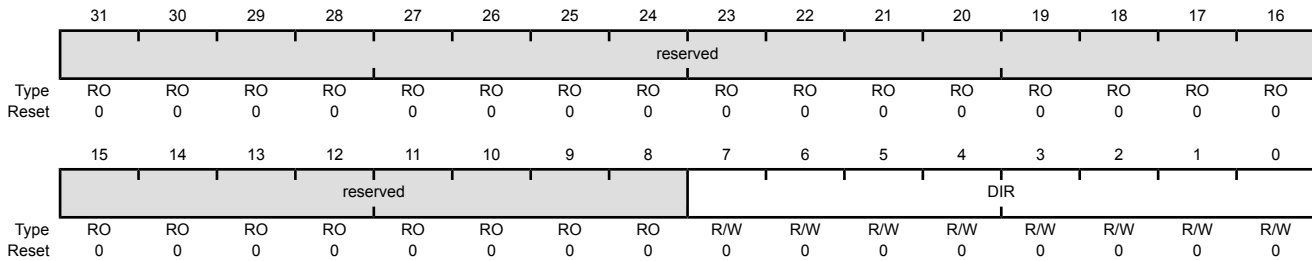
This register is virtually mapped to 256 locations in the address space. To facilitate the reading and writing of data to these registers by independent drivers, the data read from and the data written to the registers are masked by the eight address lines `ipaddr[9:2]`. Reads from this register return its current state. Writes to this register only affect bits that are not masked by `ipaddr[9:2]` and are configured as outputs. See "Data Register Operation" on page 171 for examples of reads and writes.

## Register 2: GPIO Direction (GPIODIR), offset 0x400

The **GPIODIR** register is the data direction register. Bits set to 1 in the **GPIODIR** register configure the corresponding pin to be an output, while bits set to 0 configure the pins to be inputs. All bits are cleared by a reset, meaning all GPIO pins are inputs by default.

### GPIO Direction (GPIODIR)

GPIO Port A base: 0x4000.4000  
 GPIO Port B base: 0x4000.5000  
 GPIO Port C base: 0x4000.6000  
 GPIO Port D base: 0x4000.7000  
 GPIO Port E base: 0x4002.4000  
 GPIO Port F base: 0x4002.5000  
 GPIO Port G base: 0x4002.6000  
 GPIO Port H base: 0x4002.7000  
 Offset 0x400  
 Type R/W, reset 0x0000.0000



| Bit/Field | Name     | Type | Reset | Description   |
|-----------|----------|------|-------|---|
| 31:8      | reserved | RO   | 0x00  | Software should not rely on the value of a reserved bit. To provide compatibility with future products, the value of a reserved bit should be preserved across a read-modify-write operation. |
| 7:0       | DIR      | R/W  | 0x00  | GPIO Data Direction   |

The **DIR** values are defined as follows:

| Value | Description       |
|-------|-------------------|
| 0     | Pins are inputs.  |
| 1     | Pins are outputs. |

### Register 3: GPIO Interrupt Sense (GPIOIS), offset 0x404

The **GPIOIS** register is the interrupt sense register. Bits set to 1 in **GPIOIS** configure the corresponding pins to detect levels, while bits set to 0 configure the pins to detect edges. All bits are cleared by a reset.

#### GPIO Interrupt Sense (GPIOIS)

GPIO Port A base: 0x4000.4000

GPIO Port B base: 0x4000.5000

GPIO Port C base: 0x4000.6000

GPIO Port D base: 0x4000.7000

GPIO Port E base: 0x4002.4000

GPIO Port F base: 0x4002.5000

GPIO Port G base: 0x4002.6000

GPIO Port H base: 0x4002.7000

Offset 0x404

Type R/W, reset 0x0000.0000

|       |          |    |    |    |    |    |    |    |     |     |     |     |     |     |     |     |
|-------|----------|----|----|----|----|----|----|----|-----|-----|-----|-----|-----|-----|-----|-----|
|       | 31       | 30 | 29 | 28 | 27 | 26 | 25 | 24 | 23  | 22  | 21  | 20  | 19  | 18  | 17  | 16  |
|       | reserved |    |    |    |    |    |    |    |     |     |     |     |     |     |     |     |
| Type  | RO       | RO | RO | RO | RO | RO | RO | RO | RO  | RO  | RO  | RO  | RO  | RO  | RO  | RO  |
| Reset | 0        | 0  | 0  | 0  | 0  | 0  | 0  | 0  | 0   | 0   | 0   | 0   | 0   | 0   | 0   | 0   |
|       | 15       | 14 | 13 | 12 | 11 | 10 | 9  | 8  | 7   | 6   | 5   | 4   | 3   | 2   | 1   | 0   |
|       | reserved |    |    |    |    |    |    |    | IS  |     |     |     |     |     |     |     |
| Type  | RO       | RO | RO | RO | RO | RO | RO | RO | R/W | R/W | R/W | R/W | R/W | R/W | R/W | R/W |
| Reset | 0        | 0  | 0  | 0  | 0  | 0  | 0  | 0  | 0   | 0   | 0   | 0   | 0   | 0   | 0   | 0   |

| Bit/Field | Name     | Type | Reset | Description   |
|-----------|----------|------|-------|---|
| 31:8      | reserved | RO   | 0x00  | Software should not rely on the value of a reserved bit. To provide compatibility with future products, the value of a reserved bit should be preserved across a read-modify-write operation. |
| 7:0       | IS       | R/W  | 0x00  | GPIO Interrupt Sense  |

The **IS** values are defined as follows:

#### Value Description

- 0 Edge on corresponding pin is detected (edge-sensitive).
- 1 Level on corresponding pin is detected (level-sensitive).

### Register 4: GPIO Interrupt Both Edges (GPIOIBE), offset 0x408

The **GPIOIBE** register is the interrupt both-edges register. When the corresponding bit in the **GPIO Interrupt Sense (GPIOIS)** register (see page 179) is set to detect edges, bits set to High in **GPIOIBE** configure the corresponding pin to detect both rising and falling edges, regardless of the corresponding bit in the **GPIO Interrupt Event (GPIOIEV)** register (see page 181). Clearing a bit configures the pin to be controlled by **GPIOIEV**. All bits are cleared by a reset.

#### GPIO Interrupt Both Edges (GPIOIBE)

GPIO Port A base: 0x4000.4000  
 GPIO Port B base: 0x4000.5000  
 GPIO Port C base: 0x4000.6000  
 GPIO Port D base: 0x4000.7000  
 GPIO Port E base: 0x4002.4000  
 GPIO Port F base: 0x4002.5000  
 GPIO Port G base: 0x4002.6000  
 GPIO Port H base: 0x4002.7000  
 Offset 0x408  
 Type R/W, reset 0x0000.0000

|       |          |    |    |    |    |    |    |    |     |     |     |     |     |     |     |     |
|-------|----------|----|----|----|----|----|----|----|-----|-----|-----|-----|-----|-----|-----|-----|
|       | 31       | 30 | 29 | 28 | 27 | 26 | 25 | 24 | 23  | 22  | 21  | 20  | 19  | 18  | 17  | 16  |
|       | reserved |    |    |    |    |    |    |    |     |     |     |     |     |     |     |     |
| Type  | RO       | RO | RO | RO | RO | RO | RO | RO | RO  | RO  | RO  | RO  | RO  | RO  | RO  | RO  |
| Reset | 0        | 0  | 0  | 0  | 0  | 0  | 0  | 0  | 0   | 0   | 0   | 0   | 0   | 0   | 0   | 0   |
|       | 15       | 14 | 13 | 12 | 11 | 10 | 9  | 8  | 7   | 6   | 5   | 4   | 3   | 2   | 1   | 0   |
|       | reserved |    |    |    |    |    |    |    | IBE |     |     |     |     |     |     |     |
| Type  | RO       | RO | RO | RO | RO | RO | RO | RO | R/W | R/W | R/W | R/W | R/W | R/W | R/W | R/W |
| Reset | 0        | 0  | 0  | 0  | 0  | 0  | 0  | 0  | 0   | 0   | 0   | 0   | 0   | 0   | 0   | 0   |

| Bit/Field | Name     | Type | Reset | Description   |
|-----------|----------|------|-------|---|
| 31:8      | reserved | RO   | 0x00  | Software should not rely on the value of a reserved bit. To provide compatibility with future products, the value of a reserved bit should be preserved across a read-modify-write operation. |
| 7:0       | IBE      | R/W  | 0x00  | GPIO Interrupt Both Edges   |

The **IBE** values are defined as follows:

#### Value Description

- 0 Interrupt generation is controlled by the **GPIO Interrupt Event (GPIOIEV)** register (see page 181).
- 1 Both edges on the corresponding pin trigger an interrupt.

**Note:** Single edge is determined by the corresponding bit in **GPIOIEV**.

## Register 5: GPIO Interrupt Event (GPIOIEV), offset 0x40C

The **GPIOIEV** register is the interrupt event register. Bits set to High in **GPIOIEV** configure the corresponding pin to detect rising edges or high levels, depending on the corresponding bit value in the **GPIO Interrupt Sense (GPIOIS)** register (see page 179). Clearing a bit configures the pin to detect falling edges or low levels, depending on the corresponding bit value in **GPIOIS**. All bits are cleared by a reset.

### GPIO Interrupt Event (GPIOIEV)

GPIO Port A base: 0x4000.4000  
 GPIO Port B base: 0x4000.5000  
 GPIO Port C base: 0x4000.6000  
 GPIO Port D base: 0x4000.7000  
 GPIO Port E base: 0x4002.4000  
 GPIO Port F base: 0x4002.5000  
 GPIO Port G base: 0x4002.6000  
 GPIO Port H base: 0x4002.7000  
 Offset 0x40C  
 Type R/W, reset 0x0000.0000

|       | 31       | 30 | 29 | 28 | 27 | 26 | 25 | 24 | 23  | 22  | 21  | 20  | 19  | 18  | 17  | 16  |
|-------|----------|----|----|----|----|----|----|----|-----|-----|-----|-----|-----|-----|-----|-----|
|       | reserved |    |    |    |    |    |    |    |     |     |     |     |     |     |     |     |
| Type  | RO       | RO | RO | RO | RO | RO | RO | RO | RO  | RO  | RO  | RO  | RO  | RO  | RO  | RO  |
| Reset | 0        | 0  | 0  | 0  | 0  | 0  | 0  | 0  | 0   | 0   | 0   | 0   | 0   | 0   | 0   | 0   |
|       | 15       | 14 | 13 | 12 | 11 | 10 | 9  | 8  | 7   | 6   | 5   | 4   | 3   | 2   | 1   | 0   |
|       | reserved |    |    |    |    |    |    |    | IEV |     |     |     |     |     |     |     |
| Type  | RO       | RO | RO | RO | RO | RO | RO | RO | R/W | R/W | R/W | R/W | R/W | R/W | R/W | R/W |
| Reset | 0        | 0  | 0  | 0  | 0  | 0  | 0  | 0  | 0   | 0   | 0   | 0   | 0   | 0   | 0   | 0   |

| Bit/Field | Name     | Type | Reset | Description   |
|-----------|----------|------|-------|---|
| 31:8      | reserved | RO   | 0x00  | Software should not rely on the value of a reserved bit. To provide compatibility with future products, the value of a reserved bit should be preserved across a read-modify-write operation. |
| 7:0       | IEV      | R/W  | 0x00  | GPIO Interrupt Event  |

The **IEV** values are defined as follows:

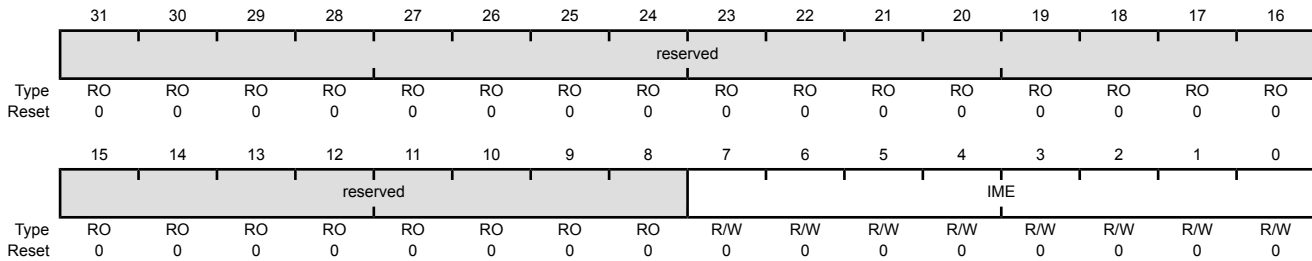
| Value | Description  |
|-------|--|
| 0     | Falling edge or Low levels on corresponding pins trigger interrupts. |
| 1     | Rising edge or High levels on corresponding pins trigger interrupts. |

### Register 6: GPIO Interrupt Mask (GPIOIM), offset 0x410

The **GPIOIM** register is the interrupt mask register. Bits set to High in **GPIOIM** allow the corresponding pins to trigger their individual interrupts and the combined **GPIOINTR** line. Clearing a bit disables interrupt triggering on that pin. All bits are cleared by a reset.

#### GPIO Interrupt Mask (GPIOIM)

GPIO Port A base: 0x4000.4000  
 GPIO Port B base: 0x4000.5000  
 GPIO Port C base: 0x4000.6000  
 GPIO Port D base: 0x4000.7000  
 GPIO Port E base: 0x4002.4000  
 GPIO Port F base: 0x4002.5000  
 GPIO Port G base: 0x4002.6000  
 GPIO Port H base: 0x4002.7000  
 Offset 0x410  
 Type R/W, reset 0x0000.0000



| Bit/Field | Name     | Type | Reset | Description   |
|-----------|----------|------|-------|---|
| 31:8      | reserved | RO   | 0x00  | Software should not rely on the value of a reserved bit. To provide compatibility with future products, the value of a reserved bit should be preserved across a read-modify-write operation. |
| 7:0       | IME      | R/W  | 0x00  | GPIO Interrupt Mask Enable  |

The **IME** values are defined as follows:

| Value | Description                                |
|-------|--|
| 0     | Corresponding pin interrupt is masked.     |
| 1     | Corresponding pin interrupt is not masked. |

## Register 7: GPIO Raw Interrupt Status (GPIORIS), offset 0x414

The **GPIORIS** register is the raw interrupt status register. Bits read High in **GPIORIS** reflect the status of interrupt trigger conditions detected (raw, prior to masking), indicating that all the requirements have been met, before they are finally allowed to trigger by the **GPIO Interrupt Mask (GPIOIM)** register (see page 182). Bits read as zero indicate that corresponding input pins have not initiated an interrupt. All bits are cleared by a reset.

### GPIO Raw Interrupt Status (GPIORIS)

GPIO Port A base: 0x4000.4000  
 GPIO Port B base: 0x4000.5000  
 GPIO Port C base: 0x4000.6000  
 GPIO Port D base: 0x4000.7000  
 GPIO Port E base: 0x4002.4000  
 GPIO Port F base: 0x4002.5000  
 GPIO Port G base: 0x4002.6000  
 GPIO Port H base: 0x4002.7000  
 Offset 0x414  
 Type RO, reset 0x0000.0000

|       | 31       | 30 | 29 | 28 | 27 | 26 | 25 | 24 | 23  | 22 | 21 | 20 | 19 | 18 | 17 | 16 |
|-------|----------|----|----|----|----|----|----|----|-----|----|----|----|----|----|----|----|
|       | reserved |    |    |    |    |    |    |    |     |    |    |    |    |    |    |    |
| Type  | RO       | RO | RO | RO | RO | RO | RO | RO | RO  | RO | RO | RO | RO | RO | RO | RO |
| Reset | 0        | 0  | 0  | 0  | 0  | 0  | 0  | 0  | 0   | 0  | 0  | 0  | 0  | 0  | 0  | 0  |
|       | 15       | 14 | 13 | 12 | 11 | 10 | 9  | 8  | 7   | 6  | 5  | 4  | 3  | 2  | 1  | 0  |
|       | reserved |    |    |    |    |    |    |    | RIS |    |    |    |    |    |    |    |
| Type  | RO       | RO | RO | RO | RO | RO | RO | RO | RO  | RO | RO | RO | RO | RO | RO | RO |
| Reset | 0        | 0  | 0  | 0  | 0  | 0  | 0  | 0  | 0   | 0  | 0  | 0  | 0  | 0  | 0  | 0  |

| Bit/Field | Name     | Type | Reset | Description   |
|-----------|----------|------|-------|---|
| 31:8      | reserved | RO   | 0x00  | Software should not rely on the value of a reserved bit. To provide compatibility with future products, the value of a reserved bit should be preserved across a read-modify-write operation. |
| 7:0       | RIS      | RO   | 0x00  | GPIO Interrupt Raw Status<br>Reflects the status of interrupt trigger condition detection on pins (raw, prior to masking).  |

The RIS values are defined as follows:

#### Value Description

- 0 Corresponding pin interrupt requirements not met.
- 1 Corresponding pin interrupt has met requirements.

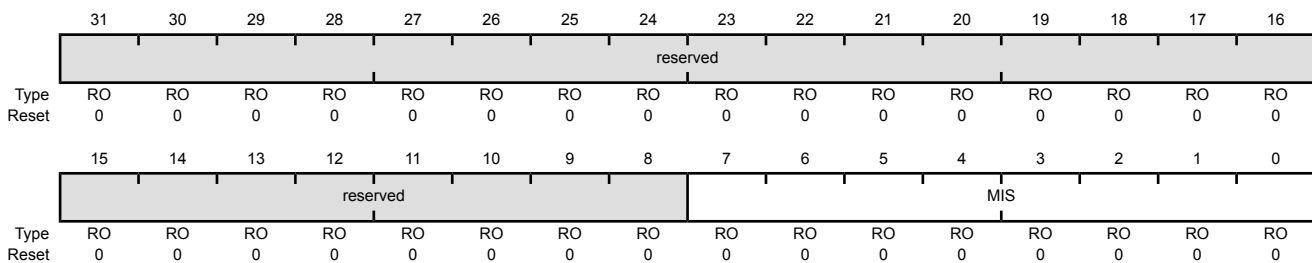
### Register 8: GPIO Masked Interrupt Status (GPIOMIS), offset 0x418

The **GPIOMIS** register is the masked interrupt status register. Bits read High in **GPIOMIS** reflect the status of input lines triggering an interrupt. Bits read as Low indicate that either no interrupt has been generated, or the interrupt is masked.

**GPIOMIS** is the state of the interrupt after masking.

#### GPIO Masked Interrupt Status (GPIOMIS)

GPIO Port A base: 0x4000.4000  
 GPIO Port B base: 0x4000.5000  
 GPIO Port C base: 0x4000.6000  
 GPIO Port D base: 0x4000.7000  
 GPIO Port E base: 0x4002.4000  
 GPIO Port F base: 0x4002.5000  
 GPIO Port G base: 0x4002.6000  
 GPIO Port H base: 0x4002.7000  
 Offset 0x418  
 Type RO, reset 0x0000.0000



| Bit/Field | Name     | Type | Reset | Description   |
|-----------|----------|------|-------|---|
| 31:8      | reserved | RO   | 0x00  | Software should not rely on the value of a reserved bit. To provide compatibility with future products, the value of a reserved bit should be preserved across a read-modify-write operation.   |
| 7:0       | MIS      | RO   | 0x00  | GPIO Masked Interrupt Status<br>Masked value of interrupt due to corresponding pin.<br>The MIS values are defined as follows:<br><br>Value Description<br>0 Corresponding GPIO line interrupt not active.<br>1 Corresponding GPIO line asserting interrupt. |



## Register 9: GPIO Interrupt Clear (GPIOICR), offset 0x41C

The **GPIOICR** register is the interrupt clear register. Writing a 1 to a bit in this register clears the corresponding interrupt edge detection logic register. Writing a 0 has no effect.

### GPIO Interrupt Clear (GPIOICR)

GPIO Port A base: 0x4000.4000  
 GPIO Port B base: 0x4000.5000  
 GPIO Port C base: 0x4000.6000  
 GPIO Port D base: 0x4000.7000  
 GPIO Port E base: 0x4002.4000  
 GPIO Port F base: 0x4002.5000  
 GPIO Port G base: 0x4002.6000  
 GPIO Port H base: 0x4002.7000  
 Offset 0x41C  
 Type W1C, reset 0x0000.0000

|       |          |    |    |    |    |    |    |    |     |     |     |     |     |     |     |     |
|-------|----------|----|----|----|----|----|----|----|-----|-----|-----|-----|-----|-----|-----|-----|
|       | 31       | 30 | 29 | 28 | 27 | 26 | 25 | 24 | 23  | 22  | 21  | 20  | 19  | 18  | 17  | 16  |
|       | reserved |    |    |    |    |    |    |    |     |     |     |     |     |     |     |     |
| Type  | RO       | RO | RO | RO | RO | RO | RO | RO | RO  | RO  | RO  | RO  | RO  | RO  | RO  | RO  |
| Reset | 0        | 0  | 0  | 0  | 0  | 0  | 0  | 0  | 0   | 0   | 0   | 0   | 0   | 0   | 0   | 0   |
|       | 15       | 14 | 13 | 12 | 11 | 10 | 9  | 8  | 7   | 6   | 5   | 4   | 3   | 2   | 1   | 0   |
|       | reserved |    |    |    |    |    |    |    | IC  |     |     |     |     |     |     |     |
| Type  | RO       | RO | RO | RO | RO | RO | RO | RO | W1C | W1C | W1C | W1C | W1C | W1C | W1C | W1C |
| Reset | 0        | 0  | 0  | 0  | 0  | 0  | 0  | 0  | 0   | 0   | 0   | 0   | 0   | 0   | 0   | 0   |

| Bit/Field | Name     | Type | Reset | Description   |
|-----------|----------|------|-------|---|
| 31:8      | reserved | RO   | 0x00  | Software should not rely on the value of a reserved bit. To provide compatibility with future products, the value of a reserved bit should be preserved across a read-modify-write operation. |
| 7:0       | IC       | W1C  | 0x00  | GPIO Interrupt Clear  |

The IC values are defined as follows:

| Value | Description                            |
|-------|--|
| 0     | Corresponding interrupt is unaffected. |
| 1     | Corresponding interrupt is cleared.    |

### Register 10: GPIO Alternate Function Select (GPIOAFSEL), offset 0x420

The **GPIOAFSEL** register is the mode control select register. Writing a 1 to any bit in this register selects the hardware control for the corresponding GPIO line. All bits are cleared by a reset, therefore no GPIO line is set to hardware control by default.

The GPIO commit control registers provide a layer of protection against accidental programming of critical hardware peripherals. Protection is currently provided for the five JTAG/SWD pins (PB7 and PC[3:0]). Writes to protected bits of the **GPIO Alternate Function Select (GPIOAFSEL)** register (see page 186) are not committed to storage unless the **GPIO Lock (GPIOLOCK)** register (see page 196) has been unlocked and the appropriate bits of the **GPIO Commit (GPIOCR)** register (see page 197) have been set to 1.

**Important:** All GPIO pins are tri-stated by default (**GPIOAFSEL=0**, **GIODEN=0**, **GPIOPDR=0**, and **GPIOPUR=0**), with the exception of the five JTAG/SWD pins (PB7 and PC[3:0]). The JTAG/SWD pins default to their JTAG/SWD functionality (**GPIOAFSEL=1**, **GIODEN=1** and **GPIOPUR=1**). A Power-On-Reset ( $\overline{POR}$ ) or asserting  $\overline{RST}$  puts both groups of pins back to their default state.

**Caution – It is possible to create a software sequence that prevents the debugger from connecting to the Stellaris® microcontroller. If the program code loaded into flash immediately changes the JTAG pins to their GPIO functionality, the debugger may not have enough time to connect and halt the controller before the JTAG pin functionality switches. This may lock the debugger out of the part. This can be avoided with a software routine that restores JTAG functionality based on an external or software trigger.**

#### GPIO Alternate Function Select (GPIOAFSEL)

GPIO Port A base: 0x4000.4000  
 GPIO Port B base: 0x4000.5000  
 GPIO Port C base: 0x4000.6000  
 GPIO Port D base: 0x4000.7000  
 GPIO Port E base: 0x4002.4000  
 GPIO Port F base: 0x4002.5000  
 GPIO Port G base: 0x4002.6000  
 GPIO Port H base: 0x4002.7000  
 Offset 0x420  
 Type R/W, reset -

|       |          |    |    |    |    |    |    |    |       |     |     |     |     |     |     |     |
|-------|----------|----|----|----|----|----|----|----|-------|-----|-----|-----|-----|-----|-----|-----|
|       | 31       | 30 | 29 | 28 | 27 | 26 | 25 | 24 | 23    | 22  | 21  | 20  | 19  | 18  | 17  | 16  |
|       | reserved |    |    |    |    |    |    |    |       |     |     |     |     |     |     |     |
| Type  | RO       | RO | RO | RO | RO | RO | RO | RO | RO    | RO  | RO  | RO  | RO  | RO  | RO  | RO  |
| Reset | 0        | 0  | 0  | 0  | 0  | 0  | 0  | 0  | 0     | 0   | 0   | 0   | 0   | 0   | 0   | 0   |
|       | 15       | 14 | 13 | 12 | 11 | 10 | 9  | 8  | 7     | 6   | 5   | 4   | 3   | 2   | 1   | 0   |
|       | reserved |    |    |    |    |    |    |    | AFSEL |     |     |     |     |     |     |     |
| Type  | RO       | RO | RO | RO | RO | RO | RO | RO | R/W   | R/W | R/W | R/W | R/W | R/W | R/W | R/W |
| Reset | 0        | 0  | 0  | 0  | 0  | 0  | 0  | 0  | -     | -   | -   | -   | -   | -   | -   | -   |

| Bit/Field | Name     | Type | Reset | Description   |
|-----------|----------|------|-------|---|
| 31:8      | reserved | RO   | 0x00  | Software should not rely on the value of a reserved bit. To provide compatibility with future products, the value of a reserved bit should be preserved across a read-modify-write operation. |

---

| Bit/Field | Name  | Type | Reset | Description  |
|-----------|-------|------|-------|--|
| 7:0       | AFSEL | R/W  | -     | GPIO Alternate Function Select<br>The AFSEL values are defined as follows:<br><br>Value Description<br>0 Software control of corresponding GPIO line (GPIO mode).<br>1 Hardware control of corresponding GPIO line (alternate hardware function).<br><br><b>Note:</b> The default reset value for the <b>GPIOAFSEL</b> , <b>GPIOPUR</b> , and <b>GPIODEN</b> registers are 0x0000.0000 for all GPIO pins, with the exception of the five JTAG/SWD pins (PB7 and PC[3:0]). These five pins default to JTAG/SWD functionality. Because of this, the default reset value of these registers for GPIO Port B is 0x0000.0080 while the default reset value for Port C is 0x0000.000F. |

### Register 11: GPIO 2-mA Drive Select (GPIODR2R), offset 0x500

The **GPIODR2R** register is the 2-mA drive control register. It allows for each GPIO signal in the port to be individually configured without affecting the other pads. When writing a **DRV2** bit for a GPIO signal, the corresponding **DRV4** bit in the **GPIODR4R** register and the **DRV8** bit in the **GPIODR8R** register are automatically cleared by hardware.

#### GPIO 2-mA Drive Select (GPIODR2R)

GPIO Port A base: 0x4000.4000  
 GPIO Port B base: 0x4000.5000  
 GPIO Port C base: 0x4000.6000  
 GPIO Port D base: 0x4000.7000  
 GPIO Port E base: 0x4002.4000  
 GPIO Port F base: 0x4002.5000  
 GPIO Port G base: 0x4002.6000  
 GPIO Port H base: 0x4002.7000  
 Offset 0x500  
 Type R/W, reset 0x0000.00FF

|       |          |    |    |    |    |    |    |    |      |     |     |     |     |     |     |     |
|-------|----------|----|----|----|----|----|----|----|------|-----|-----|-----|-----|-----|-----|-----|
|       | 31       | 30 | 29 | 28 | 27 | 26 | 25 | 24 | 23   | 22  | 21  | 20  | 19  | 18  | 17  | 16  |
|       | reserved |    |    |    |    |    |    |    |      |     |     |     |     |     |     |     |
| Type  | RO       | RO | RO | RO | RO | RO | RO | RO | RO   | RO  | RO  | RO  | RO  | RO  | RO  | RO  |
| Reset | 0        | 0  | 0  | 0  | 0  | 0  | 0  | 0  | 0    | 0   | 0   | 0   | 0   | 0   | 0   | 0   |
|       | 15       | 14 | 13 | 12 | 11 | 10 | 9  | 8  | 7    | 6   | 5   | 4   | 3   | 2   | 1   | 0   |
|       | reserved |    |    |    |    |    |    |    | DRV2 |     |     |     |     |     |     |     |
| Type  | RO       | RO | RO | RO | RO | RO | RO | RO | R/W  | R/W | R/W | R/W | R/W | R/W | R/W | R/W |
| Reset | 0        | 0  | 0  | 0  | 0  | 0  | 0  | 0  | 1    | 1   | 1   | 1   | 1   | 1   | 1   | 1   |

| Bit/Field | Name     | Type | Reset | Description  |
|-----------|----------|------|-------|--|
| 31:8      | reserved | RO   | 0x00  | Software should not rely on the value of a reserved bit. To provide compatibility with future products, the value of a reserved bit should be preserved across a read-modify-write operation.                  |
| 7:0       | DRV2     | R/W  | 0xFF  | Output Pad 2-mA Drive Enable<br><br>A write of 1 to either <b>GPIODR4[n]</b> or <b>GPIODR8[n]</b> clears the corresponding 2-mA enable bit. The change is effective on the second clock cycle after the write. |

### Register 12: GPIO 4-mA Drive Select (GPIODR4R), offset 0x504

The **GPIODR4R** register is the 4-mA drive control register. It allows for each GPIO signal in the port to be individually configured without affecting the other pads. When writing the **DRV4** bit for a GPIO signal, the corresponding **DRV2** bit in the **GPIODR2R** register and the **DRV8** bit in the **GPIODR8R** register are automatically cleared by hardware.

#### GPIO 4-mA Drive Select (GPIODR4R)

GPIO Port A base: 0x4000.4000  
 GPIO Port B base: 0x4000.5000  
 GPIO Port C base: 0x4000.6000  
 GPIO Port D base: 0x4000.7000  
 GPIO Port E base: 0x4002.4000  
 GPIO Port F base: 0x4002.5000  
 GPIO Port G base: 0x4002.6000  
 GPIO Port H base: 0x4002.7000  
 Offset 0x504  
 Type R/W, reset 0x0000.0000

|       |          |    |    |    |    |    |    |    |      |     |     |     |     |     |     |     |
|-------|----------|----|----|----|----|----|----|----|------|-----|-----|-----|-----|-----|-----|-----|
|       | 31       | 30 | 29 | 28 | 27 | 26 | 25 | 24 | 23   | 22  | 21  | 20  | 19  | 18  | 17  | 16  |
|       | reserved |    |    |    |    |    |    |    |      |     |     |     |     |     |     |     |
| Type  | RO       | RO | RO | RO | RO | RO | RO | RO | RO   | RO  | RO  | RO  | RO  | RO  | RO  | RO  |
| Reset | 0        | 0  | 0  | 0  | 0  | 0  | 0  | 0  | 0    | 0   | 0   | 0   | 0   | 0   | 0   | 0   |
|       | 15       | 14 | 13 | 12 | 11 | 10 | 9  | 8  | 7    | 6   | 5   | 4   | 3   | 2   | 1   | 0   |
|       | reserved |    |    |    |    |    |    |    | DRV4 |     |     |     |     |     |     |     |
| Type  | RO       | RO | RO | RO | RO | RO | RO | RO | R/W  | R/W | R/W | R/W | R/W | R/W | R/W | R/W |
| Reset | 0        | 0  | 0  | 0  | 0  | 0  | 0  | 0  | 0    | 0   | 0   | 0   | 0   | 0   | 0   | 0   |

| Bit/Field | Name     | Type | Reset | Description  |
|-----------|----------|------|-------|--|
| 31:8      | reserved | RO   | 0x00  | Software should not rely on the value of a reserved bit. To provide compatibility with future products, the value of a reserved bit should be preserved across a read-modify-write operation.                  |
| 7:0       | DRV4     | R/W  | 0x00  | Output Pad 4-mA Drive Enable<br><br>A write of 1 to either <b>GPIODR2[n]</b> or <b>GPIODR8[n]</b> clears the corresponding 4-mA enable bit. The change is effective on the second clock cycle after the write. |

### Register 13: GPIO 8-mA Drive Select (GPIODR8R), offset 0x508

The **GPIODR8R** register is the 8-mA drive control register. It allows for each GPIO signal in the port to be individually configured without affecting the other pads. When writing the **DRV8** bit for a GPIO signal, the corresponding **DRV2** bit in the **GPIODR2R** register and the **DRV4** bit in the **GPIODR4R** register are automatically cleared by hardware.

#### GPIO 8-mA Drive Select (GPIODR8R)

GPIO Port A base: 0x4000.4000  
 GPIO Port B base: 0x4000.5000  
 GPIO Port C base: 0x4000.6000  
 GPIO Port D base: 0x4000.7000  
 GPIO Port E base: 0x4002.4000  
 GPIO Port F base: 0x4002.5000  
 GPIO Port G base: 0x4002.6000  
 GPIO Port H base: 0x4002.7000  
 Offset 0x508  
 Type R/W, reset 0x0000.0000

|       |          |    |    |    |    |    |    |    |      |     |     |     |     |     |     |     |
|-------|----------|----|----|----|----|----|----|----|------|-----|-----|-----|-----|-----|-----|-----|
|       | 31       | 30 | 29 | 28 | 27 | 26 | 25 | 24 | 23   | 22  | 21  | 20  | 19  | 18  | 17  | 16  |
|       | reserved |    |    |    |    |    |    |    |      |     |     |     |     |     |     |     |
| Type  | RO       | RO | RO | RO | RO | RO | RO | RO | RO   | RO  | RO  | RO  | RO  | RO  | RO  | RO  |
| Reset | 0        | 0  | 0  | 0  | 0  | 0  | 0  | 0  | 0    | 0   | 0   | 0   | 0   | 0   | 0   | 0   |
|       | 15       | 14 | 13 | 12 | 11 | 10 | 9  | 8  | 7    | 6   | 5   | 4   | 3   | 2   | 1   | 0   |
|       | reserved |    |    |    |    |    |    |    | DRV8 |     |     |     |     |     |     |     |
| Type  | RO       | RO | RO | RO | RO | RO | RO | RO | R/W  | R/W | R/W | R/W | R/W | R/W | R/W | R/W |
| Reset | 0        | 0  | 0  | 0  | 0  | 0  | 0  | 0  | 0    | 0   | 0   | 0   | 0   | 0   | 0   | 0   |

| Bit/Field | Name     | Type | Reset | Description  |
|-----------|----------|------|-------|--|
| 31:8      | reserved | RO   | 0x00  | Software should not rely on the value of a reserved bit. To provide compatibility with future products, the value of a reserved bit should be preserved across a read-modify-write operation.                  |
| 7:0       | DRV8     | R/W  | 0x00  | Output Pad 8-mA Drive Enable<br><br>A write of 1 to either <b>GPIODR2[n]</b> or <b>GPIODR4[n]</b> clears the corresponding 8-mA enable bit. The change is effective on the second clock cycle after the write. |

## Register 14: GPIO Open Drain Select (GPIOODR), offset 0x50C

The **GPIOODR** register is the open drain control register. Setting a bit in this register enables the open drain configuration of the corresponding GPIO pad. When open drain mode is enabled, the corresponding bit should also be set in the **GPIO Digital Input Enable (GPIODEN)** register (see page 195). Corresponding bits in the drive strength registers (**GPIODR2R**, **GPIODR4R**, **GPIODR8R**, and **GPIOSLR**) can be set to achieve the desired rise and fall times. The GPIO acts as an open-drain input if the corresponding bit in the **GPIODIR** register is cleared. If open drain is selected while the GPIO is configured as an input, the GPIO will remain an input and the open-drain selection has no effect until the GPIO is changed to an output.

When using the I<sup>2</sup>C module, in addition to configuring the pin to open drain, the **GPIO Alternate Function Select (GPIOAFSEL)** register bits for the I<sup>2</sup>C clock and data pins should be set to 1 (see examples in “Initialization and Configuration” on page 173).

### GPIO Open Drain Select (GPIOODR)

GPIO Port A base: 0x4000.4000  
 GPIO Port B base: 0x4000.5000  
 GPIO Port C base: 0x4000.6000  
 GPIO Port D base: 0x4000.7000  
 GPIO Port E base: 0x4002.4000  
 GPIO Port F base: 0x4002.5000  
 GPIO Port G base: 0x4002.6000  
 GPIO Port H base: 0x4002.7000  
 Offset 0x50C  
 Type R/W, reset 0x0000.0000

|       |          |    |    |    |    |    |    |    |     |     |     |     |     |     |     |     |
|-------|----------|----|----|----|----|----|----|----|-----|-----|-----|-----|-----|-----|-----|-----|
|       | 31       | 30 | 29 | 28 | 27 | 26 | 25 | 24 | 23  | 22  | 21  | 20  | 19  | 18  | 17  | 16  |
|       | reserved |    |    |    |    |    |    |    |     |     |     |     |     |     |     |     |
| Type  | RO       | RO | RO | RO | RO | RO | RO | RO | RO  | RO  | RO  | RO  | RO  | RO  | RO  | RO  |
| Reset | 0        | 0  | 0  | 0  | 0  | 0  | 0  | 0  | 0   | 0   | 0   | 0   | 0   | 0   | 0   | 0   |
|       | 15       | 14 | 13 | 12 | 11 | 10 | 9  | 8  | 7   | 6   | 5   | 4   | 3   | 2   | 1   | 0   |
|       | reserved |    |    |    |    |    |    |    | ODE |     |     |     |     |     |     |     |
| Type  | RO       | RO | RO | RO | RO | RO | RO | RO | R/W | R/W | R/W | R/W | R/W | R/W | R/W | R/W |
| Reset | 0        | 0  | 0  | 0  | 0  | 0  | 0  | 0  | 0   | 0   | 0   | 0   | 0   | 0   | 0   | 0   |

| Bit/Field | Name     | Type | Reset | Description   |
|-----------|----------|------|-------|---|
| 31:8      | reserved | RO   | 0x00  | Software should not rely on the value of a reserved bit. To provide compatibility with future products, the value of a reserved bit should be preserved across a read-modify-write operation. |
| 7:0       | ODE      | R/W  | 0x00  | Output Pad Open Drain Enable  |

The ODE values are defined as follows:

| Value | Description                           |
|-------|---------------------------------------|
| 0     | Open drain configuration is disabled. |
| 1     | Open drain configuration is enabled.  |

### Register 15: GPIO Pull-Up Select (GPIOPUR), offset 0x510

The **GPIOPUR** register is the pull-up control register. When a bit is set to 1, it enables a weak pull-up resistor on the corresponding GPIO signal. Setting a bit in **GPIOPUR** automatically clears the corresponding bit in the **GPIO Pull-Down Select (GPIOPDR)** register (see page 193).

#### GPIO Pull-Up Select (GPIOPUR)

GPIO Port A base: 0x4000.4000  
 GPIO Port B base: 0x4000.5000  
 GPIO Port C base: 0x4000.6000  
 GPIO Port D base: 0x4000.7000  
 GPIO Port E base: 0x4002.4000  
 GPIO Port F base: 0x4002.5000  
 GPIO Port G base: 0x4002.6000  
 GPIO Port H base: 0x4002.7000  
 Offset 0x510  
 Type R/W, reset -

|       |          |    |    |    |    |    |    |    |     |     |     |     |     |     |     |     |
|-------|----------|----|----|----|----|----|----|----|-----|-----|-----|-----|-----|-----|-----|-----|
|       | 31       | 30 | 29 | 28 | 27 | 26 | 25 | 24 | 23  | 22  | 21  | 20  | 19  | 18  | 17  | 16  |
|       | reserved |    |    |    |    |    |    |    |     |     |     |     |     |     |     |     |
| Type  | RO       | RO | RO | RO | RO | RO | RO | RO | RO  | RO  | RO  | RO  | RO  | RO  | RO  | RO  |
| Reset | 0        | 0  | 0  | 0  | 0  | 0  | 0  | 0  | 0   | 0   | 0   | 0   | 0   | 0   | 0   | 0   |
|       | 15       | 14 | 13 | 12 | 11 | 10 | 9  | 8  | 7   | 6   | 5   | 4   | 3   | 2   | 1   | 0   |
|       | reserved |    |    |    |    |    |    |    | PUE |     |     |     |     |     |     |     |
| Type  | RO       | RO | RO | RO | RO | RO | RO | RO | R/W | R/W | R/W | R/W | R/W | R/W | R/W | R/W |
| Reset | 0        | 0  | 0  | 0  | 0  | 0  | 0  | 0  | -   | -   | -   | -   | -   | -   | -   | -   |

| Bit/Field | Name     | Type | Reset | Description   |
|-----------|----------|------|-------|---|
| 31:8      | reserved | RO   | 0x00  | Software should not rely on the value of a reserved bit. To provide compatibility with future products, the value of a reserved bit should be preserved across a read-modify-write operation. |
| 7:0       | PUE      | R/W  | -     | Pad Weak Pull-Up Enable   |

A write of 1 to **GPIOPDR[n]** clears the corresponding **GPIOPUR[n]** enables. The change is effective on the second clock cycle after the write.

**Note:** The default reset value for the **GPIOAFSEL**, **GPIOPUR**, and **GPIODEN** registers are 0x0000.0000 for all GPIO pins, with the exception of the five JTAG/SWD pins (**PB7** and **PC[3:0]**). These five pins default to JTAG/SWD functionality. Because of this, the default reset value of these registers for GPIO Port B is 0x0000.0080 while the default reset value for Port C is 0x0000.000F.



## Register 16: GPIO Pull-Down Select (GPIOPDR), offset 0x514

The **GPIOPDR** register is the pull-down control register. When a bit is set to 1, it enables a weak pull-down resistor on the corresponding GPIO signal. Setting a bit in **GPIOPDR** automatically clears the corresponding bit in the **GPIO Pull-Up Select (GPIOPUR)** register (see page 192).

### GPIO Pull-Down Select (GPIOPDR)

GPIO Port A base: 0x4000.4000  
 GPIO Port B base: 0x4000.5000  
 GPIO Port C base: 0x4000.6000  
 GPIO Port D base: 0x4000.7000  
 GPIO Port E base: 0x4002.4000  
 GPIO Port F base: 0x4002.5000  
 GPIO Port G base: 0x4002.6000  
 GPIO Port H base: 0x4002.7000  
 Offset 0x514  
 Type R/W, reset 0x0000.0000

|       | 31       | 30 | 29 | 28 | 27 | 26 | 25 | 24 | 23  | 22  | 21  | 20  | 19  | 18  | 17  | 16  |
|-------|----------|----|----|----|----|----|----|----|-----|-----|-----|-----|-----|-----|-----|-----|
|       | reserved |    |    |    |    |    |    |    |     |     |     |     |     |     |     |     |
| Type  | RO       | RO | RO | RO | RO | RO | RO | RO | RO  | RO  | RO  | RO  | RO  | RO  | RO  | RO  |
| Reset | 0        | 0  | 0  | 0  | 0  | 0  | 0  | 0  | 0   | 0   | 0   | 0   | 0   | 0   | 0   | 0   |
|       | 15       | 14 | 13 | 12 | 11 | 10 | 9  | 8  | 7   | 6   | 5   | 4   | 3   | 2   | 1   | 0   |
|       | reserved |    |    |    |    |    |    |    | PDE |     |     |     |     |     |     |     |
| Type  | RO       | RO | RO | RO | RO | RO | RO | RO | R/W | R/W | R/W | R/W | R/W | R/W | R/W | R/W |
| Reset | 0        | 0  | 0  | 0  | 0  | 0  | 0  | 0  | 0   | 0   | 0   | 0   | 0   | 0   | 0   | 0   |

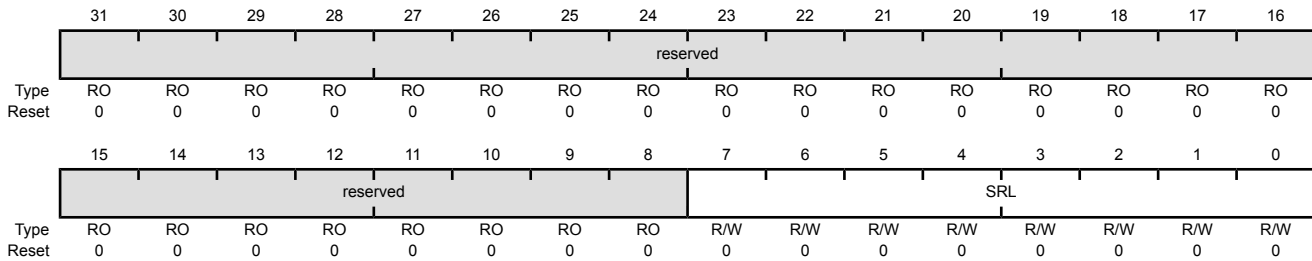
| Bit/Field | Name     | Type | Reset | Description   |
|-----------|----------|------|-------|---|
| 31:8      | reserved | RO   | 0x00  | Software should not rely on the value of a reserved bit. To provide compatibility with future products, the value of a reserved bit should be preserved across a read-modify-write operation. |
| 7:0       | PDE      | R/W  | 0x00  | Pad Weak Pull-Down Enable<br><br>A write of 1 to <b>GPIOPUR[n]</b> clears the corresponding <b>GPIOPDR[n]</b> enables. The change is effective on the second clock cycle after the write.     |

### Register 17: GPIO Slew Rate Control Select (GPIOSLR), offset 0x518

The **GPIOSLR** register is the slew rate control register. Slew rate control is only available when using the 8-mA drive strength option via the **GPIO 8-mA Drive Select (GPIODR8R)** register (see page 190).

#### GPIO Slew Rate Control Select (GPIOSLR)

GPIO Port A base: 0x4000.4000  
 GPIO Port B base: 0x4000.5000  
 GPIO Port C base: 0x4000.6000  
 GPIO Port D base: 0x4000.7000  
 GPIO Port E base: 0x4002.4000  
 GPIO Port F base: 0x4002.5000  
 GPIO Port G base: 0x4002.6000  
 GPIO Port H base: 0x4002.7000  
 Offset 0x518  
 Type R/W, reset 0x0000.0000



| Bit/Field | Name     | Type | Reset | Description   |
|-----------|----------|------|-------|---|
| 31:8      | reserved | RO   | 0x00  | Software should not rely on the value of a reserved bit. To provide compatibility with future products, the value of a reserved bit should be preserved across a read-modify-write operation. |

|     |     |     |      |  |
|-----|-----|-----|------|--|
| 7:0 | SRL | R/W | 0x00 | Slew Rate Limit Enable (8-mA drive only) |
|-----|-----|-----|------|--|

The **SRL** values are defined as follows:

| Value | Description                 |
|-------|-----------------------------|
| 0     | Slew rate control disabled. |
| 1     | Slew rate control enabled.  |

**Register 18: GPIO Digital Enable (GPIODEN), offset 0x51C**

**Note:** Pins configured as digital inputs are Schmitt-triggered.

The **GPIODEN** register is the digital enable register. By default, with the exception of the GPIO signals used for JTAG/SWD function, all other GPIO signals are configured out of reset to be undriven (tristate). Their digital function is disabled; they do not drive a logic value on the pin and they do not allow the pin voltage into the GPIO receiver. To use the pin in a digital function (either GPIO or alternate function), the corresponding **GPIODEN** bit must be set.

## GPIO Digital Enable (GPIODEN)

GPIO Port A base: 0x4000.4000  
 GPIO Port B base: 0x4000.5000  
 GPIO Port C base: 0x4000.6000  
 GPIO Port D base: 0x4000.7000  
 GPIO Port E base: 0x4002.4000  
 GPIO Port F base: 0x4002.5000  
 GPIO Port G base: 0x4002.6000  
 GPIO Port H base: 0x4002.7000  
 Offset 0x51C  
 Type R/W, reset -

|       |          |    |    |    |    |    |    |    |     |     |     |     |     |     |     |     |
|-------|----------|----|----|----|----|----|----|----|-----|-----|-----|-----|-----|-----|-----|-----|
|       | 31       | 30 | 29 | 28 | 27 | 26 | 25 | 24 | 23  | 22  | 21  | 20  | 19  | 18  | 17  | 16  |
|       | reserved |    |    |    |    |    |    |    |     |     |     |     |     |     |     |     |
| Type  | RO       | RO | RO | RO | RO | RO | RO | RO | RO  | RO  | RO  | RO  | RO  | RO  | RO  | RO  |
| Reset | 0        | 0  | 0  | 0  | 0  | 0  | 0  | 0  | 0   | 0   | 0   | 0   | 0   | 0   | 0   | 0   |
|       | 15       | 14 | 13 | 12 | 11 | 10 | 9  | 8  | 7   | 6   | 5   | 4   | 3   | 2   | 1   | 0   |
|       | reserved |    |    |    |    |    |    |    | DEN |     |     |     |     |     |     |     |
| Type  | RO       | RO | RO | RO | RO | RO | RO | RO | R/W | R/W | R/W | R/W | R/W | R/W | R/W | R/W |
| Reset | 0        | 0  | 0  | 0  | 0  | 0  | 0  | 0  | -   | -   | -   | -   | -   | -   | -   | -   |

| Bit/Field | Name     | Type | Reset | Description   |
|-----------|----------|------|-------|---|
| 31:8      | reserved | RO   | 0x00  | Software should not rely on the value of a reserved bit. To provide compatibility with future products, the value of a reserved bit should be preserved across a read-modify-write operation. |
| 7:0       | DEN      | R/W  | -     | Digital Enable  |

The **DEN** values are defined as follows:

## Value Description

- 0 Digital functions disabled.
- 1 Digital functions enabled.

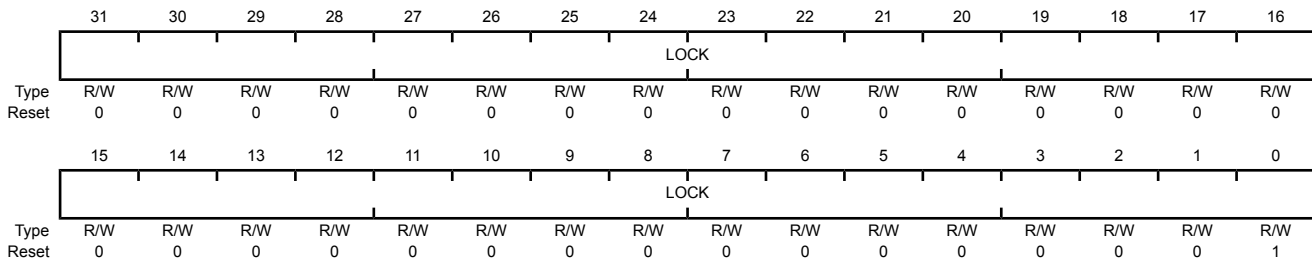
**Note:** The default reset value for the **GPIODEN**, **GPIOPUR**, and **GPIODEN** registers are 0x0000.0000 for all GPIO pins, with the exception of the five JTAG/SWD pins (**PB7** and **PC[3:0]**). These five pins default to JTAG/SWD functionality. Because of this, the default reset value of these registers for GPIO Port B is 0x0000.0080 while the default reset value for Port C is 0x0000.000F.

### Register 19: GPIO Lock (GPIOLOCK), offset 0x520

The **GPIOLOCK** register enables write access to the **GPIOCR** register (see page 197). Writing 0x1ACC.E551 to the **GPIOLOCK** register will unlock the **GPIOCR** register. Writing any other value to the **GPIOLOCK** register re-enables the locked state. Reading the **GPIOLOCK** register returns the lock status rather than the 32-bit value that was previously written. Therefore, when write accesses are disabled, or locked, reading the **GPIOLOCK** register returns 0x00000001. When write accesses are enabled, or unlocked, reading the **GPIOLOCK** register returns 0x00000000.

#### GPIO Lock (GPIOLOCK)

GPIO Port A base: 0x4000.4000  
 GPIO Port B base: 0x4000.5000  
 GPIO Port C base: 0x4000.6000  
 GPIO Port D base: 0x4000.7000  
 GPIO Port E base: 0x4002.4000  
 GPIO Port F base: 0x4002.5000  
 GPIO Port G base: 0x4002.6000  
 GPIO Port H base: 0x4002.7000  
 Offset 0x520  
 Type R/W, reset 0x0000.0001



| Bit/Field | Name | Type | Reset       | Description |
|-----------|------|------|-------------|-------------|
| 31:0      | LOCK | R/W  | 0x0000.0001 | GPIO Lock   |

A write of the value 0x1ACC.E551 unlocks the **GPIO Commit (GPIOCR)** register for write access.

A write of any other value or a write to the **GPIOCR** register reapplies the lock, preventing any register updates. A read of this register returns the following values:

| Value       | Description |
|-------------|-------------|
| 0x0000.0001 | locked      |
| 0x0000.0000 | unlocked    |

## Register 20: GPIO Commit (GPIOCR), offset 0x524

The **GPIOCR** register is the commit register. The value of the **GPIOCR** register determines which bits of the **GPIOAFSEL** register are committed when a write to the **GPIOAFSEL** register is performed. If a bit in the **GPIOCR** register is a zero, the data being written to the corresponding bit in the **GPIOAFSEL** register will not be committed and will retain its previous value. If a bit in the **GPIOCR** register is a one, the data being written to the corresponding bit of the **GPIOAFSEL** register will be committed to the register and will reflect the new value.

The contents of the **GPIOCR** register can only be modified if the **GPIOLOCK** register is unlocked. Writes to the **GPIOCR** register are ignored if the **GPIOLOCK** register is locked.

**Important:** This register is designed to prevent accidental programming of the registers that control connectivity to the JTAG/SWD debug hardware. By initializing the bits of the **GPIOCR** register to 0 for **PB7** and **PC[3:0]**, the JTAG/SWD debug port can only be converted to GPIOs through a deliberate set of writes to the **GPIOLOCK**, **GPIOCR**, and the corresponding registers.

Because this protection is currently only implemented on the JTAG/SWD pins on **PB7** and **PC[3:0]**, all of the other bits in the **GPIOCR** registers cannot be written with 0x0. These bits are hardwired to 0x1, ensuring that it is always possible to commit new values to the **GPIOAFSEL** register bits of these other pins.

### GPIO Commit (GPIOCR)

GPIO Port A base: 0x4000.4000  
 GPIO Port B base: 0x4000.5000  
 GPIO Port C base: 0x4000.6000  
 GPIO Port D base: 0x4000.7000  
 GPIO Port E base: 0x4002.4000  
 GPIO Port F base: 0x4002.5000  
 GPIO Port G base: 0x4002.6000  
 GPIO Port H base: 0x4002.7000  
 Offset 0x524  
 Type -, reset -

|       |          |    |    |    |    |    |    |    |    |    |    |    |    |    |    |    |
|-------|----------|----|----|----|----|----|----|----|----|----|----|----|----|----|----|----|
|       | 31       | 30 | 29 | 28 | 27 | 26 | 25 | 24 | 23 | 22 | 21 | 20 | 19 | 18 | 17 | 16 |
|       | reserved |    |    |    |    |    |    |    |    |    |    |    |    |    |    |    |
| Type  | RO       | RO | RO | RO | RO | RO | RO | RO | RO | RO | RO | RO | RO | RO | RO | RO |
| Reset | 0        | 0  | 0  | 0  | 0  | 0  | 0  | 0  | 0  | 0  | 0  | 0  | 0  | 0  | 0  | 0  |
|       | 15       | 14 | 13 | 12 | 11 | 10 | 9  | 8  | 7  | 6  | 5  | 4  | 3  | 2  | 1  | 0  |
|       | reserved |    |    |    |    |    |    |    | CR |    |    |    |    |    |    |    |
| Type  | RO       | RO | RO | RO | RO | RO | RO | RO | -  | -  | -  | -  | -  | -  | -  | -  |
| Reset | 0        | 0  | 0  | 0  | 0  | 0  | 0  | 0  | -  | -  | -  | -  | -  | -  | -  | -  |

| Bit/Field | Name     | Type | Reset | Description   |
|-----------|----------|------|-------|---|
| 31:8      | reserved | RO   | 0x00  | Software should not rely on the value of a reserved bit. To provide compatibility with future products, the value of a reserved bit should be preserved across a read-modify-write operation. |

| Bit/Field | Name | Type | Reset | Description  |
|-----------|------|------|-------|--|
| 7:0       | CR   | -    | -     | <p>GPIO Commit</p> <p>On a bit-wise basis, any bit set allows the corresponding <b>GPIOAFSEL</b> bit to be set to its alternate function.</p> <p><b>Note:</b> The default register type for the <b>GPIOCR</b> register is RO for all GPIO pins with the exception of the five JTAG/SWD pins (<b>PB7</b> and <b>PC[3:0]</b>). These five pins are currently the only GPIOs that are protected by the <b>GPIOCR</b> register. Because of this, the register type for GPIO Port B7 and GPIO Port C[3:0] is R/W.</p> <p>The default reset value for the <b>GPIOCR</b> register is 0x0000.00FF for all GPIO pins, with the exception of the five JTAG/SWD pins (<b>PB7</b> and <b>PC[3:0]</b>). To ensure that the JTAG port is not accidentally programmed as a GPIO, these five pins default to non-committable. Because of this, the default reset value of <b>GPIOCR</b> for GPIO Port B is 0x0000.007F while the default reset value of <b>GPIOCR</b> for Port C is 0x0000.00F0.</p> |

**Register 21: GPIO Peripheral Identification 4 (GPIOPeriphID4), offset 0xFD0**

The **GPIOPeriphID4**, **GPIOPeriphID5**, **GPIOPeriphID6**, and **GPIOPeriphID7** registers can conceptually be treated as one 32-bit register; each register contains eight bits of the 32-bit register, used by software to identify the peripheral.

**GPIO Peripheral Identification 4 (GPIOPeriphID4)**

GPIO Port A base: 0x4000.4000

GPIO Port B base: 0x4000.5000

GPIO Port C base: 0x4000.6000

GPIO Port D base: 0x4000.7000

GPIO Port E base: 0x4002.4000

GPIO Port F base: 0x4002.5000

GPIO Port G base: 0x4002.6000

GPIO Port H base: 0x4002.7000

Offset 0xFD0

Type RO, reset 0x0000.0000

|       |          |    |    |    |    |    |    |    |      |    |    |    |    |    |    |    |
|-------|----------|----|----|----|----|----|----|----|------|----|----|----|----|----|----|----|
|       | 31       | 30 | 29 | 28 | 27 | 26 | 25 | 24 | 23   | 22 | 21 | 20 | 19 | 18 | 17 | 16 |
|       | reserved |    |    |    |    |    |    |    |      |    |    |    |    |    |    |    |
| Type  | RO       | RO | RO | RO | RO | RO | RO | RO | RO   | RO | RO | RO | RO | RO | RO | RO |
| Reset | 0        | 0  | 0  | 0  | 0  | 0  | 0  | 0  | 0    | 0  | 0  | 0  | 0  | 0  | 0  | 0  |
|       | 15       | 14 | 13 | 12 | 11 | 10 | 9  | 8  | 7    | 6  | 5  | 4  | 3  | 2  | 1  | 0  |
|       | reserved |    |    |    |    |    |    |    | PID4 |    |    |    |    |    |    |    |
| Type  | RO       | RO | RO | RO | RO | RO | RO | RO | RO   | RO | RO | RO | RO | RO | RO | RO |
| Reset | 0        | 0  | 0  | 0  | 0  | 0  | 0  | 0  | 0    | 0  | 0  | 0  | 0  | 0  | 0  | 0  |

| Bit/Field | Name     | Type | Reset | Description   |
|-----------|----------|------|-------|---|
| 31:8      | reserved | RO   | 0x00  | Software should not rely on the value of a reserved bit. To provide compatibility with future products, the value of a reserved bit should be preserved across a read-modify-write operation. |
| 7:0       | PID4     | RO   | 0x00  | GPIO Peripheral ID Register[7:0]  |

**Register 22: GPIO Peripheral Identification 5 (GPIOPeriphID5), offset 0xFD4**

The **GPIOPeriphID4**, **GPIOPeriphID5**, **GPIOPeriphID6**, and **GPIOPeriphID7** registers can conceptually be treated as one 32-bit register; each register contains eight bits of the 32-bit register, used by software to identify the peripheral.

GPIO Peripheral Identification 5 (GPIOPeriphID5)

GPIO Port A base: 0x4000.4000  
 GPIO Port B base: 0x4000.5000  
 GPIO Port C base: 0x4000.6000  
 GPIO Port D base: 0x4000.7000  
 GPIO Port E base: 0x4002.4000  
 GPIO Port F base: 0x4002.5000  
 GPIO Port G base: 0x4002.6000  
 GPIO Port H base: 0x4002.7000  
 Offset 0xFD4  
 Type RO, reset 0x0000.0000



| Bit/Field | Name     | Type | Reset | Description   |
|-----------|----------|------|-------|---|
| 31:8      | reserved | RO   | 0x00  | Software should not rely on the value of a reserved bit. To provide compatibility with future products, the value of a reserved bit should be preserved across a read-modify-write operation. |
| 7:0       | PID5     | RO   | 0x00  | GPIO Peripheral ID Register[15:8]   |



**Register 23: GPIO Peripheral Identification 6 (GPIOPeriphID6), offset 0xFD8**

The **GPIOPeriphID4**, **GPIOPeriphID5**, **GPIOPeriphID6**, and **GPIOPeriphID7** registers can conceptually be treated as one 32-bit register; each register contains eight bits of the 32-bit register, used by software to identify the peripheral.

## GPIO Peripheral Identification 6 (GPIOPeriphID6)

GPIO Port A base: 0x4000.4000

GPIO Port B base: 0x4000.5000

GPIO Port C base: 0x4000.6000

GPIO Port D base: 0x4000.7000

GPIO Port E base: 0x4002.4000

GPIO Port F base: 0x4002.5000

GPIO Port G base: 0x4002.6000

GPIO Port H base: 0x4002.7000

Offset 0xFD8

Type RO, reset 0x0000.0000

|       |          |    |    |    |    |    |    |    |      |    |    |    |    |    |    |    |
|-------|----------|----|----|----|----|----|----|----|------|----|----|----|----|----|----|----|
|       | 31       | 30 | 29 | 28 | 27 | 26 | 25 | 24 | 23   | 22 | 21 | 20 | 19 | 18 | 17 | 16 |
|       | reserved |    |    |    |    |    |    |    |      |    |    |    |    |    |    |    |
| Type  | RO       | RO | RO | RO | RO | RO | RO | RO | RO   | RO | RO | RO | RO | RO | RO | RO |
| Reset | 0        | 0  | 0  | 0  | 0  | 0  | 0  | 0  | 0    | 0  | 0  | 0  | 0  | 0  | 0  | 0  |
|       | 15       | 14 | 13 | 12 | 11 | 10 | 9  | 8  | 7    | 6  | 5  | 4  | 3  | 2  | 1  | 0  |
|       | reserved |    |    |    |    |    |    |    | PID6 |    |    |    |    |    |    |    |
| Type  | RO       | RO | RO | RO | RO | RO | RO | RO | RO   | RO | RO | RO | RO | RO | RO | RO |
| Reset | 0        | 0  | 0  | 0  | 0  | 0  | 0  | 0  | 0    | 0  | 0  | 0  | 0  | 0  | 0  | 0  |

| Bit/Field | Name     | Type | Reset | Description   |
|-----------|----------|------|-------|---|
| 31:8      | reserved | RO   | 0x00  | Software should not rely on the value of a reserved bit. To provide compatibility with future products, the value of a reserved bit should be preserved across a read-modify-write operation. |
| 7:0       | PID6     | RO   | 0x00  | GPIO Peripheral ID Register[23:16]  |

**Register 24: GPIO Peripheral Identification 7 (GPIOPeriphID7), offset 0xFDC**

The **GPIOPeriphID4**, **GPIOPeriphID5**, **GPIOPeriphID6**, and **GPIOPeriphID7** registers can conceptually be treated as one 32-bit register; each register contains eight bits of the 32-bit register, used by software to identify the peripheral.

GPIO Peripheral Identification 7 (GPIOPeriphID7)

GPIO Port A base: 0x4000.4000  
 GPIO Port B base: 0x4000.5000  
 GPIO Port C base: 0x4000.6000  
 GPIO Port D base: 0x4000.7000  
 GPIO Port E base: 0x4002.4000  
 GPIO Port F base: 0x4002.5000  
 GPIO Port G base: 0x4002.6000  
 GPIO Port H base: 0x4002.7000  
 Offset 0xFDC  
 Type RO, reset 0x0000.0000



| Bit/Field | Name     | Type | Reset | Description   |
|-----------|----------|------|-------|---|
| 31:8      | reserved | RO   | 0x00  | Software should not rely on the value of a reserved bit. To provide compatibility with future products, the value of a reserved bit should be preserved across a read-modify-write operation. |
| 7:0       | PID7     | RO   | 0x00  | GPIO Peripheral ID Register[31:24]  |

**Register 25: GPIO Peripheral Identification 0 (GPIOPeriphID0), offset 0xFE0**

The **GPIOPeriphID0**, **GPIOPeriphID1**, **GPIOPeriphID2**, and **GPIOPeriphID3** registers can conceptually be treated as one 32-bit register; each register contains eight bits of the 32-bit register, used by software to identify the peripheral.

## GPIO Peripheral Identification 0 (GPIOPeriphID0)

GPIO Port A base: 0x4000.4000

GPIO Port B base: 0x4000.5000

GPIO Port C base: 0x4000.6000

GPIO Port D base: 0x4000.7000

GPIO Port E base: 0x4002.4000

GPIO Port F base: 0x4002.5000

GPIO Port G base: 0x4002.6000

GPIO Port H base: 0x4002.7000

Offset 0xFE0

Type RO, reset 0x0000.0061

|       |          |    |    |    |    |    |    |    |      |    |    |    |    |    |    |    |
|-------|----------|----|----|----|----|----|----|----|------|----|----|----|----|----|----|----|
|       | 31       | 30 | 29 | 28 | 27 | 26 | 25 | 24 | 23   | 22 | 21 | 20 | 19 | 18 | 17 | 16 |
|       | reserved |    |    |    |    |    |    |    |      |    |    |    |    |    |    |    |
| Type  | RO       | RO | RO | RO | RO | RO | RO | RO | RO   | RO | RO | RO | RO | RO | RO | RO |
| Reset | 0        | 0  | 0  | 0  | 0  | 0  | 0  | 0  | 0    | 0  | 0  | 0  | 0  | 0  | 0  | 0  |
|       | 15       | 14 | 13 | 12 | 11 | 10 | 9  | 8  | 7    | 6  | 5  | 4  | 3  | 2  | 1  | 0  |
|       | reserved |    |    |    |    |    |    |    | PID0 |    |    |    |    |    |    |    |
| Type  | RO       | RO | RO | RO | RO | RO | RO | RO | RO   | RO | RO | RO | RO | RO | RO | RO |
| Reset | 0        | 0  | 0  | 0  | 0  | 0  | 0  | 0  | 0    | 1  | 1  | 0  | 0  | 0  | 0  | 1  |

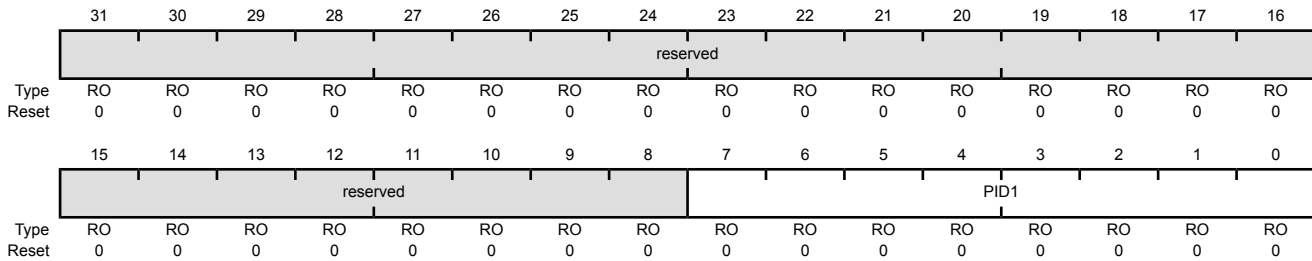
| Bit/Field | Name     | Type | Reset | Description   |
|-----------|----------|------|-------|---|
| 31:8      | reserved | RO   | 0x00  | Software should not rely on the value of a reserved bit. To provide compatibility with future products, the value of a reserved bit should be preserved across a read-modify-write operation. |
| 7:0       | PID0     | RO   | 0x61  | GPIO Peripheral ID Register[7:0]<br>Can be used by software to identify the presence of this peripheral.  |

**Register 26: GPIO Peripheral Identification 1 (GPIOPeriphID1), offset 0xFE4**

The **GPIOPeriphID0**, **GPIOPeriphID1**, **GPIOPeriphID2**, and **GPIOPeriphID3** registers can conceptually be treated as one 32-bit register; each register contains eight bits of the 32-bit register, used by software to identify the peripheral.

GPIO Peripheral Identification 1 (GPIOPeriphID1)

GPIO Port A base: 0x4000.4000  
 GPIO Port B base: 0x4000.5000  
 GPIO Port C base: 0x4000.6000  
 GPIO Port D base: 0x4000.7000  
 GPIO Port E base: 0x4002.4000  
 GPIO Port F base: 0x4002.5000  
 GPIO Port G base: 0x4002.6000  
 GPIO Port H base: 0x4002.7000  
 Offset 0xFE4  
 Type RO, reset 0x0000.0000



| Bit/Field | Name     | Type | Reset | Description   |
|-----------|----------|------|-------|---|
| 31:8      | reserved | RO   | 0x00  | Software should not rely on the value of a reserved bit. To provide compatibility with future products, the value of a reserved bit should be preserved across a read-modify-write operation. |
| 7:0       | PID1     | RO   | 0x00  | GPIO Peripheral ID Register[15:8]<br><br>Can be used by software to identify the presence of this peripheral.   |

**Register 27: GPIO Peripheral Identification 2 (GPIOPeriphID2), offset 0xFE8**

The **GPIOPeriphID0**, **GPIOPeriphID1**, **GPIOPeriphID2**, and **GPIOPeriphID3** registers can conceptually be treated as one 32-bit register; each register contains eight bits of the 32-bit register, used by software to identify the peripheral.

## GPIO Peripheral Identification 2 (GPIOPeriphID2)

GPIO Port A base: 0x4000.4000

GPIO Port B base: 0x4000.5000

GPIO Port C base: 0x4000.6000

GPIO Port D base: 0x4000.7000

GPIO Port E base: 0x4002.4000

GPIO Port F base: 0x4002.5000

GPIO Port G base: 0x4002.6000

GPIO Port H base: 0x4002.7000

Offset 0xFE8

Type RO, reset 0x0000.0018

|       |          |    |    |    |    |    |    |    |      |    |    |    |    |    |    |    |
|-------|----------|----|----|----|----|----|----|----|------|----|----|----|----|----|----|----|
|       | 31       | 30 | 29 | 28 | 27 | 26 | 25 | 24 | 23   | 22 | 21 | 20 | 19 | 18 | 17 | 16 |
|       | reserved |    |    |    |    |    |    |    |      |    |    |    |    |    |    |    |
| Type  | RO       | RO | RO | RO | RO | RO | RO | RO | RO   | RO | RO | RO | RO | RO | RO | RO |
| Reset | 0        | 0  | 0  | 0  | 0  | 0  | 0  | 0  | 0    | 0  | 0  | 0  | 0  | 0  | 0  | 0  |
|       | 15       | 14 | 13 | 12 | 11 | 10 | 9  | 8  | 7    | 6  | 5  | 4  | 3  | 2  | 1  | 0  |
|       | reserved |    |    |    |    |    |    |    | PID2 |    |    |    |    |    |    |    |
| Type  | RO       | RO | RO | RO | RO | RO | RO | RO | RO   | RO | RO | RO | RO | RO | RO | RO |
| Reset | 0        | 0  | 0  | 0  | 0  | 0  | 0  | 0  | 0    | 0  | 0  | 0  | 1  | 1  | 0  | 0  |

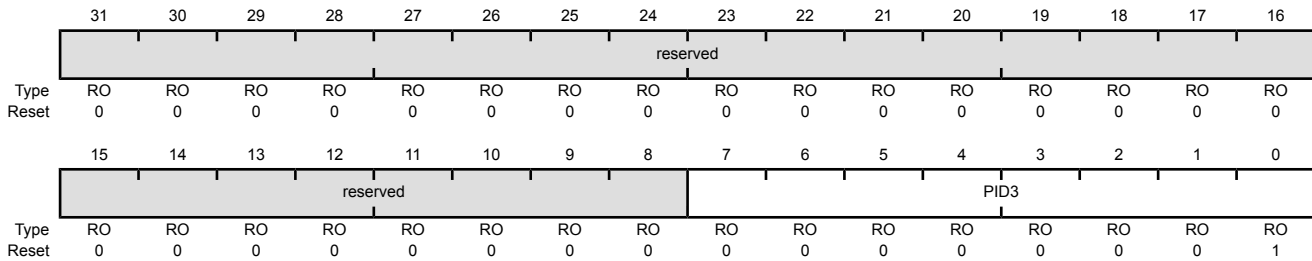
| Bit/Field | Name     | Type | Reset | Description   |
|-----------|----------|------|-------|---|
| 31:8      | reserved | RO   | 0x00  | Software should not rely on the value of a reserved bit. To provide compatibility with future products, the value of a reserved bit should be preserved across a read-modify-write operation. |
| 7:0       | PID2     | RO   | 0x18  | GPIO Peripheral ID Register[23:16]<br>Can be used by software to identify the presence of this peripheral.  |

**Register 28: GPIO Peripheral Identification 3 (GPIOPeriphID3), offset 0xFEC**

The **GPIOPeriphID0**, **GPIOPeriphID1**, **GPIOPeriphID2**, and **GPIOPeriphID3** registers can conceptually be treated as one 32-bit register; each register contains eight bits of the 32-bit register, used by software to identify the peripheral.

GPIO Peripheral Identification 3 (GPIOPeriphID3)

GPIO Port A base: 0x4000.4000  
 GPIO Port B base: 0x4000.5000  
 GPIO Port C base: 0x4000.6000  
 GPIO Port D base: 0x4000.7000  
 GPIO Port E base: 0x4002.4000  
 GPIO Port F base: 0x4002.5000  
 GPIO Port G base: 0x4002.6000  
 GPIO Port H base: 0x4002.7000  
 Offset 0xFEC  
 Type RO, reset 0x0000.0001



| Bit/Field | Name     | Type | Reset | Description   |
|-----------|----------|------|-------|---|
| 31:8      | reserved | RO   | 0x00  | Software should not rely on the value of a reserved bit. To provide compatibility with future products, the value of a reserved bit should be preserved across a read-modify-write operation. |
| 7:0       | PID3     | RO   | 0x01  | GPIO Peripheral ID Register[31:24]<br><br>Can be used by software to identify the presence of this peripheral.  |

**Register 29: GPIO PrimeCell Identification 0 (GPIOCellID0), offset 0xFF0**

The **GPIOCellID0**, **GPIOCellID1**, **GPIOCellID2**, and **GPIOCellID3** registers are four 8-bit wide registers, that can conceptually be treated as one 32-bit register. The register is used as a standard cross-peripheral identification system.

## GPIO PrimeCell Identification 0 (GPIOCellID0)

GPIO Port A base: 0x4000.4000

GPIO Port B base: 0x4000.5000

GPIO Port C base: 0x4000.6000

GPIO Port D base: 0x4000.7000

GPIO Port E base: 0x4002.4000

GPIO Port F base: 0x4002.5000

GPIO Port G base: 0x4002.6000

GPIO Port H base: 0x4002.7000

Offset 0xFF0

Type RO, reset 0x0000.000D

|       |          |    |    |    |    |    |    |    |      |    |    |    |    |    |    |    |
|-------|----------|----|----|----|----|----|----|----|------|----|----|----|----|----|----|----|
|       | 31       | 30 | 29 | 28 | 27 | 26 | 25 | 24 | 23   | 22 | 21 | 20 | 19 | 18 | 17 | 16 |
|       | reserved |    |    |    |    |    |    |    |      |    |    |    |    |    |    |    |
| Type  | RO       | RO | RO | RO | RO | RO | RO | RO | RO   | RO | RO | RO | RO | RO | RO | RO |
| Reset | 0        | 0  | 0  | 0  | 0  | 0  | 0  | 0  | 0    | 0  | 0  | 0  | 0  | 0  | 0  | 0  |
|       | 15       | 14 | 13 | 12 | 11 | 10 | 9  | 8  | 7    | 6  | 5  | 4  | 3  | 2  | 1  | 0  |
|       | reserved |    |    |    |    |    |    |    | CID0 |    |    |    |    |    |    |    |
| Type  | RO       | RO | RO | RO | RO | RO | RO | RO | RO   | RO | RO | RO | RO | RO | RO | RO |
| Reset | 0        | 0  | 0  | 0  | 0  | 0  | 0  | 0  | 0    | 0  | 0  | 0  | 1  | 1  | 0  | 1  |

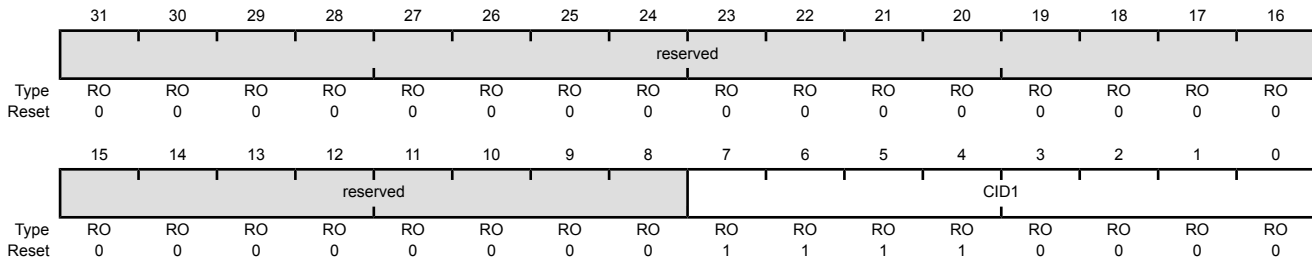
| Bit/Field | Name     | Type | Reset | Description   |
|-----------|----------|------|-------|---|
| 31:8      | reserved | RO   | 0x00  | Software should not rely on the value of a reserved bit. To provide compatibility with future products, the value of a reserved bit should be preserved across a read-modify-write operation. |
| 7:0       | CID0     | RO   | 0x0D  | GPIO PrimeCell ID Register[7:0]<br>Provides software a standard cross-peripheral identification system.   |

**Register 30: GPIO PrimeCell Identification 1 (GPIOCellID1), offset 0xFF4**

The **GPIOCellID0**, **GPIOCellID1**, **GPIOCellID2**, and **GPIOCellID3** registers are four 8-bit wide registers, that can conceptually be treated as one 32-bit register. The register is used as a standard cross-peripheral identification system.

GPIO PrimeCell Identification 1 (GPIOCellID1)

GPIO Port A base: 0x4000.4000  
 GPIO Port B base: 0x4000.5000  
 GPIO Port C base: 0x4000.6000  
 GPIO Port D base: 0x4000.7000  
 GPIO Port E base: 0x4002.4000  
 GPIO Port F base: 0x4002.5000  
 GPIO Port G base: 0x4002.6000  
 GPIO Port H base: 0x4002.7000  
 Offset 0xFF4  
 Type RO, reset 0x0000.00F0



| Bit/Field | Name     | Type | Reset | Description   |
|-----------|----------|------|-------|---|
| 31:8      | reserved | RO   | 0x00  | Software should not rely on the value of a reserved bit. To provide compatibility with future products, the value of a reserved bit should be preserved across a read-modify-write operation. |
| 7:0       | CID1     | RO   | 0xF0  | GPIO PrimeCell ID Register[15:8]<br>Provides software a standard cross-peripheral identification system.  |



**Register 31: GPIO PrimeCell Identification 2 (GPIOCellID2), offset 0xFF8**

The **GPIOCellIID0**, **GPIOCellIID1**, **GPIOCellIID2**, and **GPIOCellIID3** registers are four 8-bit wide registers, that can conceptually be treated as one 32-bit register. The register is used as a standard cross-peripheral identification system.

## GPIO PrimeCell Identification 2 (GPIOCellIID2)

GPIO Port A base: 0x4000.4000

GPIO Port B base: 0x4000.5000

GPIO Port C base: 0x4000.6000

GPIO Port D base: 0x4000.7000

GPIO Port E base: 0x4002.4000

GPIO Port F base: 0x4002.5000

GPIO Port G base: 0x4002.6000

GPIO Port H base: 0x4002.7000

Offset 0xFF8

Type RO, reset 0x0000.0005

|       |          |    |    |    |    |    |    |    |      |    |    |    |    |    |    |    |
|-------|----------|----|----|----|----|----|----|----|------|----|----|----|----|----|----|----|
|       | 31       | 30 | 29 | 28 | 27 | 26 | 25 | 24 | 23   | 22 | 21 | 20 | 19 | 18 | 17 | 16 |
|       | reserved |    |    |    |    |    |    |    |      |    |    |    |    |    |    |    |
| Type  | RO       | RO | RO | RO | RO | RO | RO | RO | RO   | RO | RO | RO | RO | RO | RO | RO |
| Reset | 0        | 0  | 0  | 0  | 0  | 0  | 0  | 0  | 0    | 0  | 0  | 0  | 0  | 0  | 0  | 0  |
|       | 15       | 14 | 13 | 12 | 11 | 10 | 9  | 8  | 7    | 6  | 5  | 4  | 3  | 2  | 1  | 0  |
|       | reserved |    |    |    |    |    |    |    | CID2 |    |    |    |    |    |    |    |
| Type  | RO       | RO | RO | RO | RO | RO | RO | RO | RO   | RO | RO | RO | RO | RO | RO | RO |
| Reset | 0        | 0  | 0  | 0  | 0  | 0  | 0  | 0  | 0    | 0  | 0  | 0  | 0  | 0  | 1  | 1  |

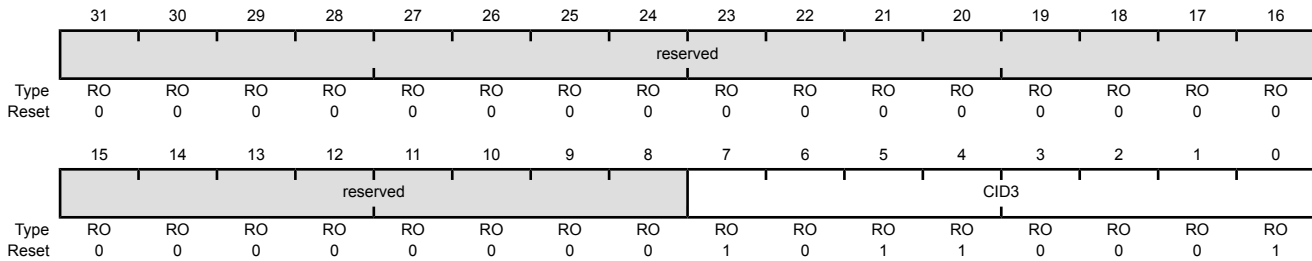
| Bit/Field | Name     | Type | Reset | Description   |
|-----------|----------|------|-------|---|
| 31:8      | reserved | RO   | 0x00  | Software should not rely on the value of a reserved bit. To provide compatibility with future products, the value of a reserved bit should be preserved across a read-modify-write operation. |
| 7:0       | CID2     | RO   | 0x05  | GPIO PrimeCell ID Register[23:16]<br>Provides software a standard cross-peripheral identification system.   |

### Register 32: GPIO PrimeCell Identification 3 (GPIOCellID3), offset 0xFFC

The **GPIOCellID0**, **GPIOCellID1**, **GPIOCellID2**, and **GPIOCellID3** registers are four 8-bit wide registers, that can conceptually be treated as one 32-bit register. The register is used as a standard cross-peripheral identification system.

#### GPIO PrimeCell Identification 3 (GPIOCellID3)

GPIO Port A base: 0x4000.4000  
 GPIO Port B base: 0x4000.5000  
 GPIO Port C base: 0x4000.6000  
 GPIO Port D base: 0x4000.7000  
 GPIO Port E base: 0x4002.4000  
 GPIO Port F base: 0x4002.5000  
 GPIO Port G base: 0x4002.6000  
 GPIO Port H base: 0x4002.7000  
 Offset 0xFFC  
 Type RO, reset 0x0000.00B1



| Bit/Field | Name     | Type | Reset | Description   |
|-----------|----------|------|-------|---|
| 31:8      | reserved | RO   | 0x00  | Software should not rely on the value of a reserved bit. To provide compatibility with future products, the value of a reserved bit should be preserved across a read-modify-write operation. |
| 7:0       | CID3     | RO   | 0xB1  | GPIO PrimeCell ID Register[31:24]<br>Provides software a standard cross-peripheral identification system.   |

## 10 General-Purpose Timers

Programmable timers can be used to count or time external events that drive the Timer input pins. The Stellaris® General-Purpose Timer Module (GPTM) contains four GPTM blocks (Timer0, Timer1, Timer 2, and Timer 3). Each GPTM block provides two 16-bit timers/counters (referred to as TimerA and TimerB) that can be configured to operate independently as timers or event counters, or configured to operate as one 32-bit timer or one 32-bit Real-Time Clock (RTC).

The GPT Module is one timing resource available on the Stellaris® microcontrollers. Other timer resources include the System Timer (SysTick) (see “System Timer (SysTick)” on page 43).

The General-Purpose Timers provide the following features:

- Four General-Purpose Timer Modules (GPTM), each of which provides two 16-bit timers/counters. Each GPTM can be configured to operate independently:
  - As a single 32-bit timer
  - As one 32-bit Real-Time Clock (RTC) to event capture
  - For Pulse Width Modulation (PWM)
- 32-bit Timer modes
  - Programmable one-shot timer
  - Programmable periodic timer
  - Real-Time Clock when using an external 32.768-KHz clock as the input
  - User-enabled stalling when the controller asserts CPU Halt flag during debug
- 16-bit Timer modes
  - General-purpose timer function with an 8-bit prescaler (for one-shot and periodic modes only)
  - Programmable one-shot timer
  - Programmable periodic timer
  - User-enabled stalling when the controller asserts CPU Halt flag during debug
- 16-bit Input Capture modes
  - Input edge count capture
  - Input edge time capture
- 16-bit PWM mode
  - Simple PWM mode with software-programmable output inversion of the PWM signal

### 10.1 Block Diagram

**Note:** In Figure 10-1 on page 212, the specific CCP pins available depend on the Stellaris® device. See Table 10-1 on page 212 for the available CCPs.

Figure 10-1. GPTM Module Block Diagram

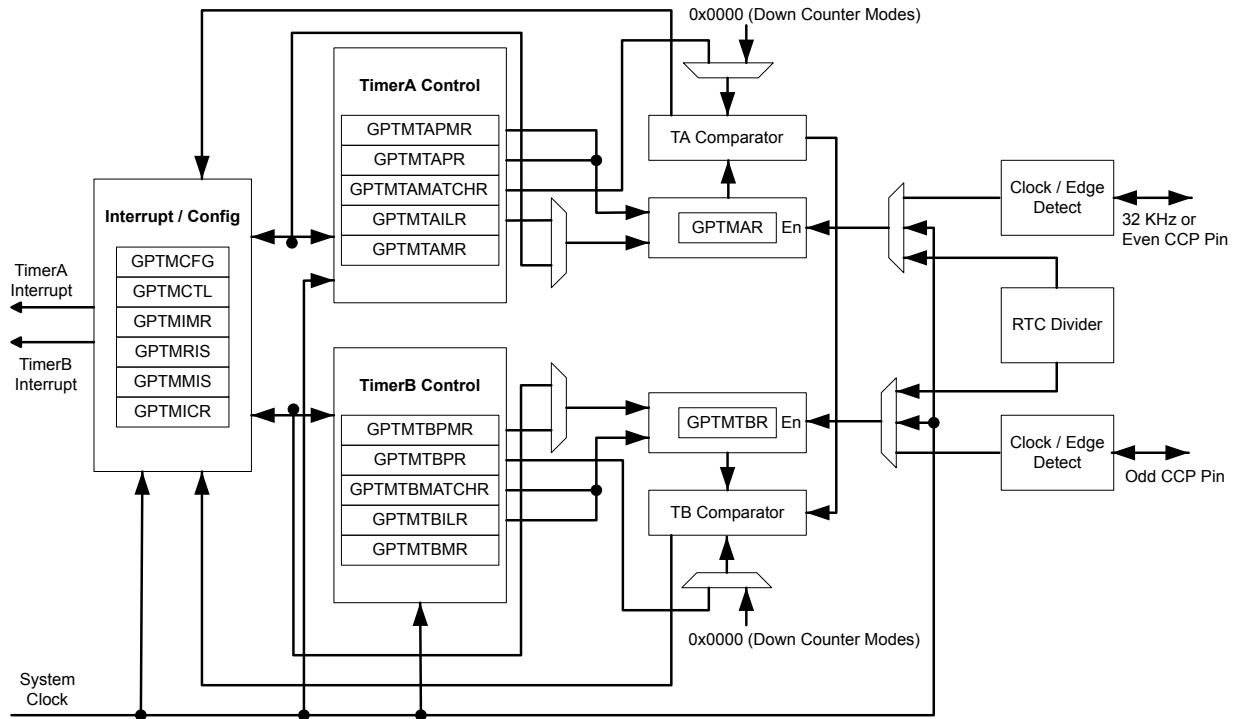


Table 10-1. Available CCP Pins

| Timer   | 16-Bit Up/Down Counter | Even CCP Pin | Odd CCP Pin |
|---------|------------------------|--------------|-------------|
| Timer 0 | TimerA                 | CCP0         | -           |
|         | TimerB                 | -            | CCP1        |
| Timer 1 | TimerA                 | CCP2         | -           |
|         | TimerB                 | -            | CCP3        |
| Timer 2 | TimerA                 | CCP4         | -           |
|         | TimerB                 | -            | CCP5        |
| Timer 3 | TimerA                 | -            | -           |
|         | TimerB                 | -            | -           |

## 10.2 Functional Description

The main components of each GPTM block are two free-running 16-bit up/down counters (referred to as TimerA and TimerB), two 16-bit match registers, two prescaler match registers, and two 16-bit load/initialization registers and their associated control functions. The exact functionality of each GPTM is controlled by software and configured through the register interface.

Software configures the GPTM using the **GPTM Configuration (GPTMCFG)** register (see page 223), the **GPTM TimerA Mode (GPTMTAMR)** register (see page 224), and the **GPTM TimerB Mode (GPTMTBMR)** register (see page 226). When in one of the 32-bit modes, the timer can only act as a 32-bit timer. However, when configured in 16-bit mode, the GPTM can have its two 16-bit timers configured in any combination of the 16-bit modes.

### 10.2.1 GPTM Reset Conditions

After reset has been applied to the GPTM module, the module is in an inactive state, and all control registers are cleared and in their default states. Counters TimerA and TimerB are initialized to 0xFFFF, along with their corresponding load registers: the **GPTM TimerA Interval Load (GPTMTAILR)** register (see page 237) and the **GPTM TimerB Interval Load (GPTMTBILR)** register (see page 238). The prescale counters are initialized to 0x00: the **GPTM TimerA Prescale (GPTMTAPR)** register (see page 241) and the **GPTM TimerB Prescale (GPTMTBPR)** register (see page 242).

### 10.2.2 32-Bit Timer Operating Modes

This section describes the three GPTM 32-bit timer modes (One-Shot, Periodic, and RTC) and their configuration.

The GPTM is placed into 32-bit mode by writing a 0 (One-Shot/Periodic 32-bit timer mode) or a 1 (RTC mode) to the **GPTM Configuration (GPTMCFG)** register. In both configurations, certain GPTM registers are concatenated to form pseudo 32-bit registers. These registers include:

- **GPTM TimerA Interval Load (GPTMTAILR)** register [15:0], see page 237
- **GPTM TimerB Interval Load (GPTMTBILR)** register [15:0], see page 238
- **GPTM TimerA (GPTMTAR)** register [15:0], see page 245
- **GPTM TimerB (GPTMTBR)** register [15:0], see page 246

In the 32-bit modes, the GPTM translates a 32-bit write access to **GPTMTAILR** into a write access to both **GPTMTAILR** and **GPTMTBILR**. The resulting word ordering for such a write operation is:

```
GPTMTBILR[15:0]:GPTMTAILR[15:0]
```

Likewise, a read access to **GPTMTAR** returns the value:

```
GPTMTBR[15:0]:GPTMTAR[15:0]
```

#### 10.2.2.1 32-Bit One-Shot/Periodic Timer Mode

In 32-bit one-shot and periodic timer modes, the concatenated versions of the TimerA and TimerB registers are configured as a 32-bit down-counter. The selection of one-shot or periodic mode is determined by the value written to the **TAMR** field of the **GPTM TimerA Mode (GPTMTAMR)** register (see page 224), and there is no need to write to the **GPTM TimerB Mode (GPTMTBMR)** register.

When software writes the **TAEN** bit in the **GPTM Control (GPTMCTL)** register (see page 228), the timer begins counting down from its preloaded value. Once the 0x0000.0000 state is reached, the timer reloads its start value from the concatenated **GPTMTAILR** on the next cycle. If configured to be a one-shot timer, the timer stops counting and clears the **TAEN** bit in the **GPTMCTL** register. If configured as a periodic timer, it continues counting.

In addition to reloading the count value, the GPTM generates interrupts and triggers when it reaches the 0x000.0000 state. The GPTM sets the **TATORIS** bit in the **GPTM Raw Interrupt Status (GPTMRIS)** register (see page 233), and holds it until it is cleared by writing the **GPTM Interrupt Clear (GPTMICR)** register (see page 235). If the time-out interrupt is enabled in the **GPTM Interrupt Mask (GPTIMR)** register (see page 231), the GPTM also sets the **TATOMIS** bit in the **GPTM Masked Interrupt Status (GPTMMIS)** register (see page 234).

If software reloads the **GPTMTAILR** register while the counter is running, the counter loads the new value on the next clock cycle and continues counting from the new value.

If the **TASTALL** bit in the **GPTMCTL** register is set, the timer freezes counting while the processor is halted by the debugger. The timer resumes counting when the processor resumes execution.

### 10.2.2.2 32-Bit Real-Time Clock Timer Mode

In Real-Time Clock (RTC) mode, the concatenated versions of the TimerA and TimerB registers are configured as a 32-bit up-counter. When RTC mode is selected for the first time, the counter is loaded with a value of 0x0000.0001. All subsequent load values must be written to the **GPTM TimerA Match (GPTMTAMATCHR)** register (see page 239) by the controller.

The input clock on an even CCP input is required to be 32.768 KHz in RTC mode. The clock signal is then divided down to a 1 Hz rate and is passed along to the input of the 32-bit counter.

When software writes the **TAEN** bit in the **GPTMCTL** register, the counter starts counting up from its preloaded value of 0x0000.0001. When the current count value matches the preloaded value in the **GPTMTAMATCHR** register, it rolls over to a value of 0x0000.0000 and continues counting until either a hardware reset, or it is disabled by software (clearing the **TAEN** bit). When a match occurs, the GPTM asserts the **RTCRI** bit in **GPTMRIS**. If the RTC interrupt is enabled in **GPTIMR**, the GPTM also sets the **RTCMIS** bit in **GPTMISR** and generates a controller interrupt. The status flags are cleared by writing the **RTCCINT** bit in **GPTMICR**.

If the **TASTALL** and/or **TBSTALL** bits in the **GPTMCTL** register are set, the timer does not freeze if the **RTCEN** bit is set in **GPTMCTL**.

### 10.2.3 16-Bit Timer Operating Modes

The GPTM is placed into global 16-bit mode by writing a value of 0x4 to the **GPTM Configuration (GPTMCFG)** register (see page 223). This section describes each of the GPTM 16-bit modes of operation. TimerA and TimerB have identical modes, so a single description is given using an **n** to reference both.

#### 10.2.3.1 16-Bit One-Shot/Periodic Timer Mode

In 16-bit one-shot and periodic timer modes, the timer is configured as a 16-bit down-counter with an optional 8-bit prescaler that effectively extends the counting range of the timer to 24 bits. The selection of one-shot or periodic mode is determined by the value written to the **TnMR** field of the **GPTMTnMR** register. The optional prescaler is loaded into the **GPTM Timern Prescale (GPTMTnPR)** register.

When software writes the **TnEN** bit in the **GPTMCTL** register, the timer begins counting down from its preloaded value. Once the 0x0000 state is reached, the timer reloads its start value from **GPTMTnILR** and **GPTMTnPR** on the next cycle. If configured to be a one-shot timer, the timer stops counting and clears the **TnEN** bit in the **GPTMCTL** register. If configured as a periodic timer, it continues counting.

In addition to reloading the count value, the timer generates interrupts and triggers when it reaches the 0x0000 state. The GPTM sets the **TnTORIS** bit in the **GPTMRIS** register, and holds it until it is cleared by writing the **GPTMICR** register. If the time-out interrupt is enabled in **GPTIMR**, the GPTM also sets the **TnTOMIS** bit in **GPTMISR** and generates a controller interrupt.

If software reloads the **GPTMTAILR** register while the counter is running, the counter loads the new value on the next clock cycle and continues counting from the new value.

If the **TnSTALL** bit in the **GPTMCTL** register is set, the timer freezes counting while the processor is halted by the debugger. The timer resumes counting when the processor resumes execution.

The following example shows a variety of configurations for a 16-bit free running timer while using the prescaler. All values assume a 50-MHz clock with  $T_c=20$  ns (clock period).

**Table 10-2. 16-Bit Timer With Prescaler Configurations**

| Prescale | #Clock ( $T_c$ ) <sup>a</sup> | Max Time | Units |
|----------|-------------------------------|----------|-------|
| 00000000 | 1                             | 1.3107   | mS    |
| 00000001 | 2                             | 2.6214   | mS    |
| 00000010 | 3                             | 3.9322   | mS    |
| -----    | --                            | --       | --    |
| 11111101 | 254                           | 332.9229 | mS    |
| 11111110 | 255                           | 334.2336 | mS    |
| 11111111 | 256                           | 335.5443 | mS    |

a.  $T_c$  is the clock period.

### 10.2.3.2 16-Bit Input Edge Count Mode

**Note:** For rising-edge detection, the input signal must be High for at least two system clock periods following the rising edge. Similarly, for falling-edge detection, the input signal must be Low for at least two system clock periods following the falling edge. Based on this criteria, the maximum input frequency for edge detection is 1/4 of the system frequency.

**Note:** The prescaler is not available in 16-Bit Input Edge Count mode.

In Edge Count mode, the timer is configured as a down-counter capable of capturing three types of events: rising edge, falling edge, or both. To place the timer in Edge Count mode, the  $T_nCMR$  bit of the **GPTMTnMR** register must be set to 0. The type of edge that the timer counts is determined by the  $T_nEVENT$  fields of the **GPTMCTL** register. During initialization, the **GPTM Timern Match (GPTMTnMATCHR)** register is configured so that the difference between the value in the **GPTMTnILR** register and the **GPTMTnMATCHR** register equals the number of edge events that must be counted.

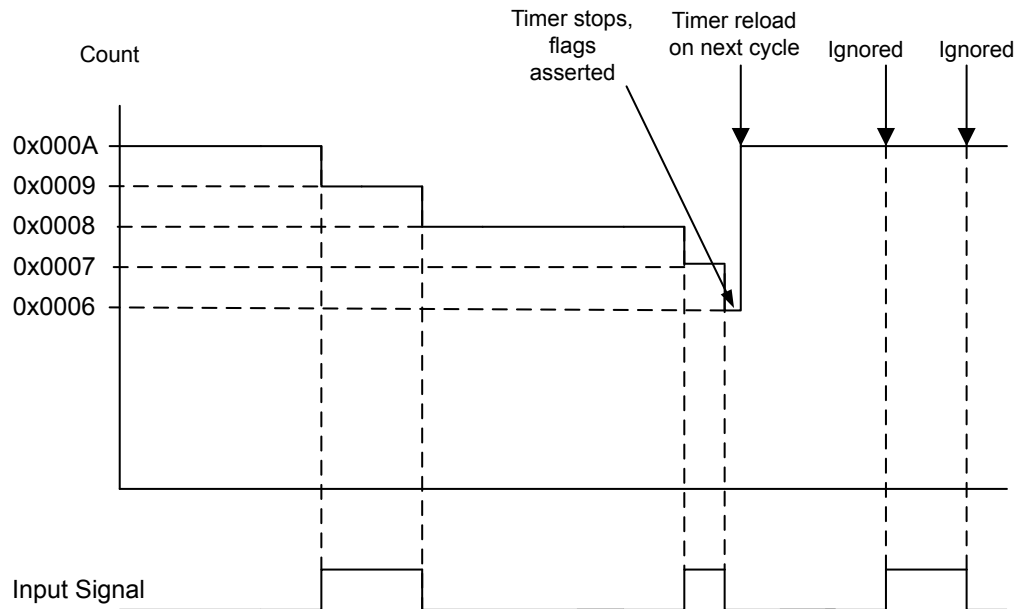
When software writes the  $T_nEN$  bit in the **GPTM Control (GPTMCTL)** register, the timer is enabled for event capture. Each input event on the CCP pin decrements the counter by 1 until the event count matches **GPTMTnMATCHR**. When the counts match, the GPTM asserts the  $C_nMRIS$  bit in the **GPTMRIS** register (and the  $C_nMMIS$  bit, if the interrupt is not masked).

The counter is then reloaded using the value in **GPTMTnILR**, and stopped since the GPTM automatically clears the  $T_nEN$  bit in the **GPTMCTL** register. Once the event count has been reached, all further events are ignored until  $T_nEN$  is re-enabled by software.

Figure 10-2 on page 216 shows how input edge count mode works. In this case, the timer start value is set to **GPTMTnILR** = 0x000A and the match value is set to **GPTMTnMATCHR** = 0x0006 so that four edge events are counted. The counter is configured to detect both edges of the input signal.

Note that the last two edges are not counted since the timer automatically clears the  $T_nEN$  bit after the current count matches the value in the **GPTMTnMR** register.

Figure 10-2. 16-Bit Input Edge Count Mode Example



### 10.2.3.3 16-Bit Input Edge Time Mode

**Note:** For rising-edge detection, the input signal must be High for at least two system clock periods following the rising edge. Similarly, for falling edge detection, the input signal must be Low for at least two system clock periods following the falling edge. Based on this criteria, the maximum input frequency for edge detection is 1/4 of the system frequency.

**Note:** The prescaler is not available in 16-Bit Input Edge Time mode.

In Edge Time mode, the timer is configured as a free-running down-counter initialized to the value loaded in the **GPTMTnILR** register (or 0xFFFF at reset). This mode allows for event capture of either rising or falling edges, but not both. The timer is placed into Edge Time mode by setting the **TnCMR** bit in the **GPTMTnMR** register, and the type of event that the timer captures is determined by the **TnEVENT** fields of the **GPTMCnTL** register.

When software writes the **TnEN** bit in the **GPTMCTL** register, the timer is enabled for event capture. When the selected input event is detected, the current **Tn** counter value is captured in the **GPTMTnR** register and is available to be read by the controller. The GPTM then asserts the **CnERIS** bit (and the **CnEMIS** bit, if the interrupt is not masked).

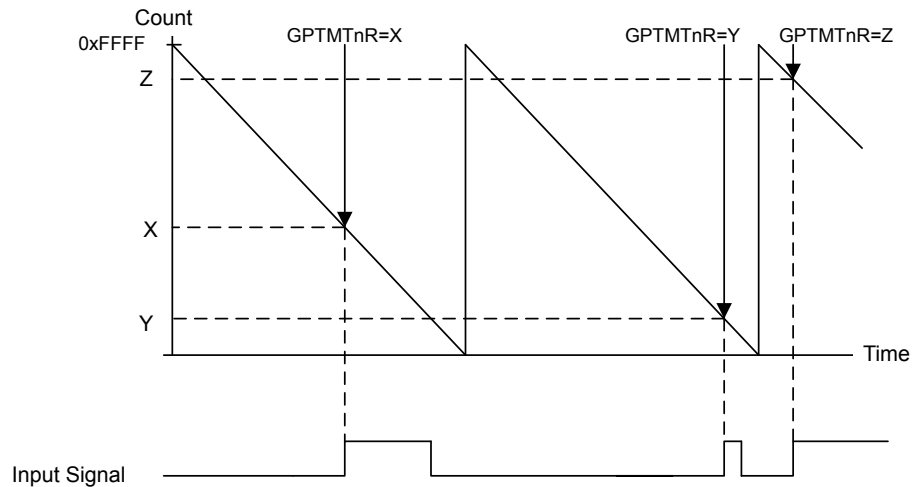
After an event has been captured, the timer does not stop counting. It continues to count until the **TnEN** bit is cleared. When the timer reaches the 0x0000 state, it is reloaded with the value from the **GPTMnILR** register.

Figure 10-3 on page 217 shows how input edge timing mode works. In the diagram, it is assumed that the start value of the timer is the default value of 0xFFFF, and the timer is configured to capture rising edge events.

Each time a rising edge event is detected, the current count value is loaded into the **GPTMTnR** register, and is held there until another rising edge is detected (at which point the new count value is loaded into **GPTMTnR**).



Figure 10-3. 16-Bit Input Edge Time Mode Example



#### 10.2.3.4 16-Bit PWM Mode

**Note:** The prescaler is not available in 16-Bit PWM mode.

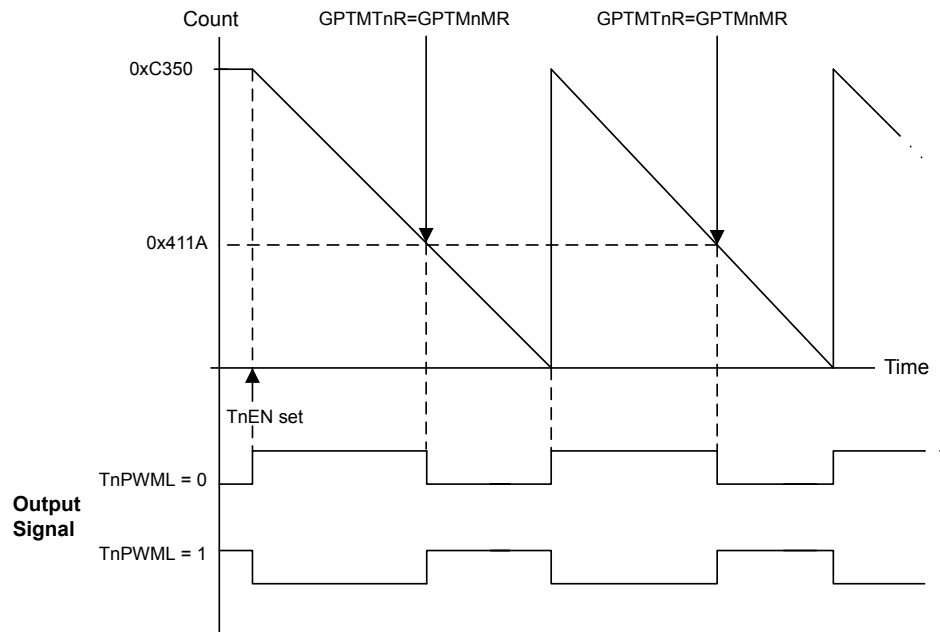
The GPTM supports a simple PWM generation mode. In PWM mode, the timer is configured as a down-counter with a start value (and thus period) defined by **GPTMTnILR**. PWM mode is enabled with the **GPTMTnMR** register by setting the  $T_nAMS$  bit to 0x1, the  $T_nCMR$  bit to 0x0, and the  $T_nMR$  field to 0x2.

When software writes the  $T_nEN$  bit in the **GPTMCTL** register, the counter begins counting down until it reaches the 0x0000 state. On the next counter cycle, the counter reloads its start value from **GPTMTnILR** and continues counting until disabled by software clearing the  $T_nEN$  bit in the **GPTMCTL** register. No interrupts or status bits are asserted in PWM mode.

The output PWM signal asserts when the counter is at the value of the **GPTMTnILR** register (its start state), and is deasserted when the counter value equals the value in the **GPTM Timern Match Register (GPTMnMATCHR)**. Software has the capability of inverting the output PWM signal by setting the  $T_nPWML$  bit in the **GPTMCTL** register.

Figure 10-4 on page 218 shows how to generate an output PWM with a 1-ms period and a 66% duty cycle assuming a 50-MHz input clock and  $T_nPWML = 0$  (duty cycle would be 33% for the  $T_nPWML = 1$  configuration). For this example, the start value is **GPTMTnILR=0xC350** and the match value is **GPTMnMR=0x411A**.

Figure 10-4. 16-Bit PWM Mode Example



## 10.3 Initialization and Configuration

To use the general-purpose timers, the peripheral clock must be enabled by setting the `TIMER0`, `TIMER1`, `TIMER2`, and `TIMER3` bits in the `RCGC1` register.

This section shows module initialization and configuration examples for each of the supported timer modes.

### 10.3.1 32-Bit One-Shot/Periodic Timer Mode

The GPTM is configured for 32-bit One-Shot and Periodic modes by the following sequence:

1. Ensure the timer is disabled (the `TAEN` bit in the `GPTMCTL` register is cleared) before making any changes.
2. Write the **GPTM Configuration Register (GPTMCFG)** with a value of 0x0.
3. Set the `TAMR` field in the **GPTM TimerA Mode Register (GPTMTAMR)**:
  - a. Write a value of 0x1 for One-Shot mode.
  - b. Write a value of 0x2 for Periodic mode.
4. Load the start value into the **GPTM TimerA Interval Load Register (GPTMTAILR)**.
5. If interrupts are required, set the `TATOIM` bit in the **GPTM Interrupt Mask Register (GPTMIMR)**.
6. Set the `TAEN` bit in the `GPTMCTL` register to enable the timer and start counting.

7. Poll the `TATORIS` bit in the **GPTMRIS** register or wait for the interrupt to be generated (if enabled). In both cases, the status flags are cleared by writing a 1 to the `TATOCINT` bit of the **GPTM Interrupt Clear Register (GPTMICR)**.

In One-Shot mode, the timer stops counting after step 7 on page 219. To re-enable the timer, repeat the sequence. A timer configured in Periodic mode does not stop counting after it times out.

### 10.3.2 32-Bit Real-Time Clock (RTC) Mode

To use the RTC mode, the timer must have a 32.768-KHz input signal on an even CCP input. To enable the RTC feature, follow these steps:

1. Ensure the timer is disabled (the `TAEN` bit is cleared) before making any changes.
2. Write the **GPTM Configuration Register (GPTMCFG)** with a value of 0x1.
3. Write the desired match value to the **GPTM TimerA Match Register (GPTMTAMATCHR)**.
4. Set/clear the `RTCEN` bit in the **GPTM Control Register (GPTMCTL)** as desired.
5. If interrupts are required, set the `RTCIM` bit in the **GPTM Interrupt Mask Register (GPTMIMR)**.
6. Set the `TAEN` bit in the **GPTMCTL** register to enable the timer and start counting.

When the timer count equals the value in the **GPTMTAMATCHR** register, the counter is re-loaded with 0x0000.0000 and begins counting. If an interrupt is enabled, it does not have to be cleared.

### 10.3.3 16-Bit One-Shot/Periodic Timer Mode

A timer is configured for 16-bit One-Shot and Periodic modes by the following sequence:

1. Ensure the timer is disabled (the `TnEN` bit is cleared) before making any changes.
2. Write the **GPTM Configuration Register (GPTMCFG)** with a value of 0x4.
3. Set the `TnMR` field in the **GPTM Timer Mode (GPTMTnMR)** register:
  - a. Write a value of 0x1 for One-Shot mode.
  - b. Write a value of 0x2 for Periodic mode.
4. If a prescaler is to be used, write the prescale value to the **GPTM Timern Prescale Register (GPTMTnPR)**.
5. Load the start value into the **GPTM Timer Interval Load Register (GPTMTnILR)**.
6. If interrupts are required, set the `TnTOIM` bit in the **GPTM Interrupt Mask Register (GPTMIMR)**.
7. Set the `TnEN` bit in the **GPTM Control Register (GPTMCTL)** to enable the timer and start counting.
8. Poll the `TnTORIS` bit in the **GPTMRIS** register or wait for the interrupt to be generated (if enabled). In both cases, the status flags are cleared by writing a 1 to the `TnTOCINT` bit of the **GPTM Interrupt Clear Register (GPTMICR)**.

In One-Shot mode, the timer stops counting after step 8 on page 219. To re-enable the timer, repeat the sequence. A timer configured in Periodic mode does not stop counting after it times out.

### 10.3.4 16-Bit Input Edge Count Mode

A timer is configured to Input Edge Count mode by the following sequence:

1. Ensure the timer is disabled (the  $TnEN$  bit is cleared) before making any changes.
2. Write the **GPTM Configuration (GPTMCFG)** register with a value of 0x4.
3. In the **GPTM Timer Mode (GPTMTnMR)** register, write the  $TnCMR$  field to 0x0 and the  $TnMR$  field to 0x3.
4. Configure the type of event(s) that the timer captures by writing the  $TnEVENT$  field of the **GPTM Control (GPTMCTL)** register.
5. Load the timer start value into the **GPTM Timern Interval Load (GPTMTnILR)** register.
6. Load the desired event count into the **GPTM Timern Match (GPTMTnMATCHR)** register.
7. If interrupts are required, set the  $CnMIM$  bit in the **GPTM Interrupt Mask (GPTMIMR)** register.
8. Set the  $TnEN$  bit in the **GPTMCTL** register to enable the timer and begin waiting for edge events.
9. Poll the  $CnMRIS$  bit in the **GPTMRIS** register or wait for the interrupt to be generated (if enabled). In both cases, the status flags are cleared by writing a 1 to the  $CnMCINT$  bit of the **GPTM Interrupt Clear (GPTMICR)** register.

In Input Edge Count Mode, the timer stops after the desired number of edge events has been detected. To re-enable the timer, ensure that the  $TnEN$  bit is cleared and repeat step 4 on page 220 through step 9 on page 220.

### 10.3.5 16-Bit Input Edge Timing Mode

A timer is configured to Input Edge Timing mode by the following sequence:

1. Ensure the timer is disabled (the  $TnEN$  bit is cleared) before making any changes.
2. Write the **GPTM Configuration (GPTMCFG)** register with a value of 0x4.
3. In the **GPTM Timer Mode (GPTMTnMR)** register, write the  $TnCMR$  field to 0x1 and the  $TnMR$  field to 0x3.
4. Configure the type of event that the timer captures by writing the  $TnEVENT$  field of the **GPTM Control (GPTMCTL)** register.
5. Load the timer start value into the **GPTM Timern Interval Load (GPTMTnILR)** register.
6. If interrupts are required, set the  $CnEIM$  bit in the **GPTM Interrupt Mask (GPTMIMR)** register.
7. Set the  $TnEN$  bit in the **GPTM Control (GPTMCTL)** register to enable the timer and start counting.
8. Poll the  $CnERIS$  bit in the **GPTMRIS** register or wait for the interrupt to be generated (if enabled). In both cases, the status flags are cleared by writing a 1 to the  $CnECINT$  bit of the **GPTM**

**Interrupt Clear (GPTMICR)** register. The time at which the event happened can be obtained by reading the **GPTM Timern (GPTMTnR)** register.

In Input Edge Timing mode, the timer continues running after an edge event has been detected, but the timer interval can be changed at any time by writing the **GPTMTnILR** register. The change takes effect at the next cycle after the write.

### 10.3.6 16-Bit PWM Mode

A timer is configured to PWM mode using the following sequence:

1. Ensure the timer is disabled (the  $TnEN$  bit is cleared) before making any changes.
2. Write the **GPTM Configuration (GPTMCFG)** register with a value of 0x4.
3. In the **GPTM Timer Mode (GPTMTnMR)** register, set the  $TnAMS$  bit to 0x1, the  $TnCMR$  bit to 0x0, and the  $TnMR$  field to 0x2.
4. Configure the output state of the PWM signal (whether or not it is inverted) in the  $TnEVENT$  field of the **GPTM Control (GPTMCTL)** register.
5. Load the timer start value into the **GPTM Timern Interval Load (GPTMTnILR)** register.
6. Load the **GPTM Timern Match (GPTMTnMATCHR)** register with the desired value.
7. Set the  $TnEN$  bit in the **GPTM Control (GPTMCTL)** register to enable the timer and begin generation of the output PWM signal.

In PWM Timing mode, the timer continues running after the PWM signal has been generated. The PWM period can be adjusted at any time by writing the **GPTMTnILR** register, and the change takes effect at the next cycle after the write.

## 10.4 Register Map

Table 10-3 on page 221 lists the GPTM registers. The offset listed is a hexadecimal increment to the register's address, relative to that timer's base address:

- Timer0: 0x4003.0000
- Timer1: 0x4003.1000
- Timer2: 0x4003.2000
- Timer3: 0x4003.3000

**Table 10-3. Timers Register Map**

| Offset | Name     | Type | Reset       | Description               | See page |
|--------|----------|------|-------------|---------------------------|----------|
| 0x000  | GPTMCFG  | R/W  | 0x0000.0000 | GPTM Configuration        | 223      |
| 0x004  | GPTMTAMR | R/W  | 0x0000.0000 | GPTM TimerA Mode          | 224      |
| 0x008  | GPTMTBMR | R/W  | 0x0000.0000 | GPTM TimerB Mode          | 226      |
| 0x00C  | GPTMCTL  | R/W  | 0x0000.0000 | GPTM Control              | 228      |
| 0x018  | GPTMIMR  | R/W  | 0x0000.0000 | GPTM Interrupt Mask       | 231      |
| 0x01C  | GPTMRIS  | RO   | 0x0000.0000 | GPTM Raw Interrupt Status | 233      |

Table 10-3. Timers Register Map (continued)

| Offset | Name         | Type | Reset       | Description                  | See page |
|--------|--------------|------|-------------|------------------------------|----------|
| 0x020  | GPTMMIS      | RO   | 0x0000.0000 | GPTM Masked Interrupt Status | 234      |
| 0x024  | GPTMICR      | W1C  | 0x0000.0000 | GPTM Interrupt Clear         | 235      |
| 0x028  | GPTMTAILR    | R/W  | 0xFFFF.FFFF | GPTM TimerA Interval Load    | 237      |
| 0x02C  | GPTMTBILR    | R/W  | 0x0000.FFFF | GPTM TimerB Interval Load    | 238      |
| 0x030  | GPTMTAMATCHR | R/W  | 0xFFFF.FFFF | GPTM TimerA Match            | 239      |
| 0x034  | GPTMTBMATCHR | R/W  | 0x0000.FFFF | GPTM TimerB Match            | 240      |
| 0x038  | GPTMTAPR     | R/W  | 0x0000.0000 | GPTM TimerA Prescale         | 241      |
| 0x03C  | GPTMTBPR     | R/W  | 0x0000.0000 | GPTM TimerB Prescale         | 242      |
| 0x040  | GPTMTAPMR    | R/W  | 0x0000.0000 | GPTM TimerA Prescale Match   | 243      |
| 0x044  | GPTMTBPMR    | R/W  | 0x0000.0000 | GPTM TimerB Prescale Match   | 244      |
| 0x048  | GPTMTAR      | RO   | 0xFFFF.FFFF | GPTM TimerA                  | 245      |
| 0x04C  | GPTMTBR      | RO   | 0x0000.FFFF | GPTM TimerB                  | 246      |

## 10.5 Register Descriptions

The remainder of this section lists and describes the GPTM registers, in numerical order by address offset.

## Register 1: GPTM Configuration (GPTMCFG), offset 0x000

This register configures the global operation of the GPTM module. The value written to this register determines whether the GPTM is in 32- or 16-bit mode.

### GPTM Configuration (GPTMCFG)

Timer0 base: 0x4003.0000  
 Timer1 base: 0x4003.1000  
 Timer2 base: 0x4003.2000  
 Timer3 base: 0x4003.3000  
 Offset 0x000  
 Type R/W, reset 0x0000.0000

|       |          |    |    |    |    |    |    |    |    |    |    |    |    |         |     |     |     |
|-------|----------|----|----|----|----|----|----|----|----|----|----|----|----|---------|-----|-----|-----|
|       | 31       | 30 | 29 | 28 | 27 | 26 | 25 | 24 | 23 | 22 | 21 | 20 | 19 | 18      | 17  | 16  |     |
|       | reserved |    |    |    |    |    |    |    |    |    |    |    |    |         |     |     |     |
| Type  | RO       | RO | RO | RO | RO | RO | RO | RO | RO | RO | RO | RO | RO | RO      | RO  | RO  |     |
| Reset | 0        | 0  | 0  | 0  | 0  | 0  | 0  | 0  | 0  | 0  | 0  | 0  | 0  | 0       | 0   | 0   |     |
|       | 15       | 14 | 13 | 12 | 11 | 10 | 9  | 8  | 7  | 6  | 5  | 4  | 3  | 2       | 1   | 0   |     |
|       | reserved |    |    |    |    |    |    |    |    |    |    |    |    | GPTMCFG |     |     |     |
| Type  | RO       | RO | RO | RO | RO | RO | RO | RO | RO | RO | RO | RO | RO | RO      | R/W | R/W | R/W |
| Reset | 0        | 0  | 0  | 0  | 0  | 0  | 0  | 0  | 0  | 0  | 0  | 0  | 0  | 0       | 0   | 0   | 0   |

| Bit/Field | Name     | Type | Reset | Description   |
|-----------|----------|------|-------|---|
| 31:3      | reserved | RO   | 0x00  | Software should not rely on the value of a reserved bit. To provide compatibility with future products, the value of a reserved bit should be preserved across a read-modify-write operation. |
| 2:0       | GPTMCFG  | R/W  | 0x0   | GPTM Configuration  |

The GPTMCFG values are defined as follows:

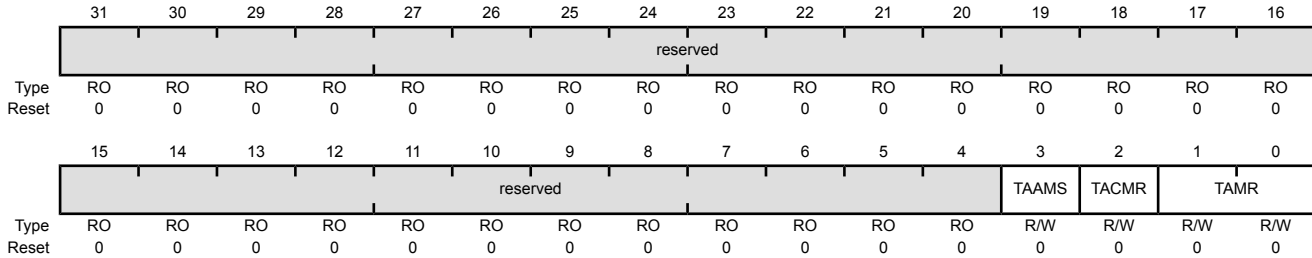
| Value   | Description   |
|---------|---|
| 0x0     | 32-bit timer configuration.   |
| 0x1     | 32-bit real-time clock (RTC) counter configuration.   |
| 0x2     | Reserved  |
| 0x3     | Reserved  |
| 0x4-0x7 | 16-bit timer configuration, function is controlled by bits 1:0 of <b>GPTMTAMR</b> and <b>GPTMTBMR</b> . |

### Register 2: GPTM TimerA Mode (GPTMTAMR), offset 0x004

This register configures the GPTM based on the configuration selected in the **GPTMCFG** register. When in 16-bit PWM mode, set the **TAAMS** bit to 0x1, the **TACMR** bit to 0x0, and the **TAMR** field to 0x2.

#### GPTM TimerA Mode (GPTMTAMR)

Timer0 base: 0x4003.0000  
 Timer1 base: 0x4003.1000  
 Timer2 base: 0x4003.2000  
 Timer3 base: 0x4003.3000  
 Offset 0x004  
 Type R/W, reset 0x0000.0000



| Bit/Field | Name     | Type | Reset | Description  |
|-----------|----------|------|-------|--|
| 31:4      | reserved | RO   | 0x00  | Software should not rely on the value of a reserved bit. To provide compatibility with future products, the value of a reserved bit should be preserved across a read-modify-write operation.  |
| 3         | TAAMS    | R/W  | 0     | GPTM TimerA Alternate Mode Select<br><br>The <b>TAAMS</b> values are defined as follows:<br><br>Value Description<br>0 Capture mode is enabled.<br>1 PWM mode is enabled.<br><br><b>Note:</b> To enable PWM mode, you must also clear the <b>TACMR</b> bit and set the <b>TAMR</b> field to 0x2. |
| 2         | TACMR    | R/W  | 0     | GPTM TimerA Capture Mode<br><br>The <b>TACMR</b> values are defined as follows:<br><br>Value Description<br>0 Edge-Count mode<br>1 Edge-Time mode  |



---

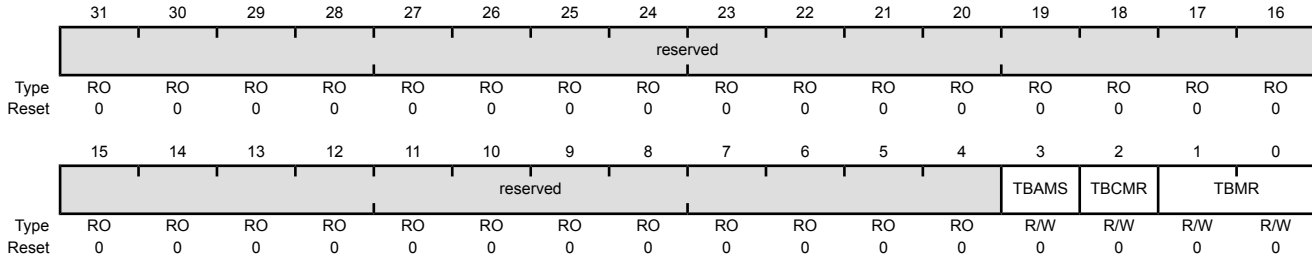
| Bit/Field | Name                | Type | Reset | Description  |       |             |     |          |     |                     |     |                     |     |              |
|-----------|---------------------|------|-------|--|-------|-------------|-----|----------|-----|---------------------|-----|---------------------|-----|--------------|
| 1:0       | TAMR                | R/W  | 0x0   | <p>GPTM TimerA Mode</p> <p>The TAMR values are defined as follows:</p> <table><thead><tr><th>Value</th><th>Description</th></tr></thead><tbody><tr><td>0x0</td><td>Reserved</td></tr><tr><td>0x1</td><td>One-Shot Timer mode</td></tr><tr><td>0x2</td><td>Periodic Timer mode</td></tr><tr><td>0x3</td><td>Capture mode</td></tr></tbody></table> <p>The Timer mode is based on the timer configuration defined by bits 2:0 in the <b>GPTMCFG</b> register (16-or 32-bit).</p> <p>In 16-bit timer configuration, TAMR controls the 16-bit timer modes for TimerA.</p> <p>In 32-bit timer configuration, this register controls the mode and the contents of <b>GPTMTBMR</b> are ignored.</p> | Value | Description | 0x0 | Reserved | 0x1 | One-Shot Timer mode | 0x2 | Periodic Timer mode | 0x3 | Capture mode |
| Value     | Description         |      |       |  |       |             |     |          |     |                     |     |                     |     |              |
| 0x0       | Reserved            |      |       |  |       |             |     |          |     |                     |     |                     |     |              |
| 0x1       | One-Shot Timer mode |      |       |  |       |             |     |          |     |                     |     |                     |     |              |
| 0x2       | Periodic Timer mode |      |       |  |       |             |     |          |     |                     |     |                     |     |              |
| 0x3       | Capture mode        |      |       |  |       |             |     |          |     |                     |     |                     |     |              |

### Register 3: GPTM TimerB Mode (GPTMTBMR), offset 0x008

This register configures the GPTM based on the configuration selected in the **GPTMCFG** register. When in 16-bit PWM mode, set the **TBAMS** bit to 0x1, the **TBCMR** bit to 0x0, and the **TBMR** field to 0x2.

#### GPTM TimerB Mode (GPTMTBMR)

Timer0 base: 0x4003.0000  
 Timer1 base: 0x4003.1000  
 Timer2 base: 0x4003.2000  
 Timer3 base: 0x4003.3000  
 Offset 0x008  
 Type R/W, reset 0x0000.0000



| Bit/Field | Name                     | Type | Reset | Description   |       |             |   |                          |   |                      |
|-----------|--------------------------|------|-------|---|-------|-------------|---|--------------------------|---|----------------------|
| 31:4      | reserved                 | RO   | 0x00  | Software should not rely on the value of a reserved bit. To provide compatibility with future products, the value of a reserved bit should be preserved across a read-modify-write operation.   |       |             |   |                          |   |                      |
| 3         | TBAMS                    | R/W  | 0     | GPTM TimerB Alternate Mode Select<br><br>The <b>TBAMS</b> values are defined as follows:<br><br><table border="1"> <thead> <tr> <th>Value</th> <th>Description</th> </tr> </thead> <tbody> <tr> <td>0</td> <td>Capture mode is enabled.</td> </tr> <tr> <td>1</td> <td>PWM mode is enabled.</td> </tr> </tbody> </table> <p><b>Note:</b> To enable PWM mode, you must also clear the <b>TBCMR</b> bit and set the <b>TBMR</b> field to 0x2.</p> | Value | Description | 0 | Capture mode is enabled. | 1 | PWM mode is enabled. |
| Value     | Description              |      |       |   |       |             |   |                          |   |                      |
| 0         | Capture mode is enabled. |      |       |   |       |             |   |                          |   |                      |
| 1         | PWM mode is enabled.     |      |       |   |       |             |   |                          |   |                      |
| 2         | TBCMR                    | R/W  | 0     | GPTM TimerB Capture Mode<br><br>The <b>TBCMR</b> values are defined as follows:<br><br><table border="1"> <thead> <tr> <th>Value</th> <th>Description</th> </tr> </thead> <tbody> <tr> <td>0</td> <td>Edge-Count mode</td> </tr> <tr> <td>1</td> <td>Edge-Time mode</td> </tr> </tbody> </table>  | Value | Description | 0 | Edge-Count mode          | 1 | Edge-Time mode       |
| Value     | Description              |      |       |   |       |             |   |                          |   |                      |
| 0         | Edge-Count mode          |      |       |   |       |             |   |                          |   |                      |
| 1         | Edge-Time mode           |      |       |   |       |             |   |                          |   |                      |

---

| Bit/Field | Name                | Type | Reset | Description   |       |             |     |          |     |                     |     |                     |     |              |
|-----------|---------------------|------|-------|---|-------|-------------|-----|----------|-----|---------------------|-----|---------------------|-----|--------------|
| 1:0       | TBMR                | R/W  | 0x0   | <p>GPTM TimerB Mode</p> <p>The TBMR values are defined as follows:</p> <table><thead><tr><th>Value</th><th>Description</th></tr></thead><tbody><tr><td>0x0</td><td>Reserved</td></tr><tr><td>0x1</td><td>One-Shot Timer mode</td></tr><tr><td>0x2</td><td>Periodic Timer mode</td></tr><tr><td>0x3</td><td>Capture mode</td></tr></tbody></table> <p>The timer mode is based on the timer configuration defined by bits 2:0 in the <b>GPTMCFG</b> register.</p> <p>In 16-bit timer configuration, these bits control the 16-bit timer modes for TimerB.</p> <p>In 32-bit timer configuration, this register's contents are ignored and <b>GPTMTAMR</b> is used.</p> | Value | Description | 0x0 | Reserved | 0x1 | One-Shot Timer mode | 0x2 | Periodic Timer mode | 0x3 | Capture mode |
| Value     | Description         |      |       |   |       |             |     |          |     |                     |     |                     |     |              |
| 0x0       | Reserved            |      |       |   |       |             |     |          |     |                     |     |                     |     |              |
| 0x1       | One-Shot Timer mode |      |       |   |       |             |     |          |     |                     |     |                     |     |              |
| 0x2       | Periodic Timer mode |      |       |   |       |             |     |          |     |                     |     |                     |     |              |
| 0x3       | Capture mode        |      |       |   |       |             |     |          |     |                     |     |                     |     |              |

### Register 4: GPTM Control (GPTMCTL), offset 0x00C

This register is used alongside the **GPTMCFG** and **GMTMTnMR** registers to fine-tune the timer configuration, and to enable other features such as timer stall.

#### GPTM Control (GPTMCTL)

Timer0 base: 0x4003.0000  
 Timer1 base: 0x4003.1000  
 Timer2 base: 0x4003.2000  
 Timer3 base: 0x4003.3000  
 Offset 0x00C  
 Type R/W, reset 0x0000.0000

|       |          |        |          |          |         |         |      |          |        |          |       |         |         |      |     |     |
|-------|----------|--------|----------|----------|---------|---------|------|----------|--------|----------|-------|---------|---------|------|-----|-----|
|       | 31       | 30     | 29       | 28       | 27      | 26      | 25   | 24       | 23     | 22       | 21    | 20      | 19      | 18   | 17  | 16  |
|       | reserved |        |          |          |         |         |      |          |        |          |       |         |         |      |     |     |
| Type  | RO       | RO     | RO       | RO       | RO      | RO      | RO   | RO       | RO     | RO       | RO    | RO      | RO      | RO   | RO  | RO  |
| Reset | 0        | 0      | 0        | 0        | 0       | 0       | 0    | 0        | 0      | 0        | 0     | 0       | 0       | 0    | 0   | 0   |
|       | 15       | 14     | 13       | 12       | 11      | 10      | 9    | 8        | 7      | 6        | 5     | 4       | 3       | 2    | 1   | 0   |
|       | reserved | TBPWML | reserved | reserved | TBEVENT | TBSTALL | TBEN | reserved | TAPWML | reserved | RTCEN | TAEVENT | TASTALL | TAEN |     |     |
| Type  | RO       | R/W    | RO       | RO       | R/W     | R/W     | R/W  | R/W      | RO     | R/W      | RO    | R/W     | R/W     | R/W  | R/W | R/W |
| Reset | 0        | 0      | 0        | 0        | 0       | 0       | 0    | 0        | 0      | 0        | 0     | 0       | 0       | 0    | 0   | 0   |

| Bit/Field | Name     | Type | Reset | Description   |
|-----------|----------|------|-------|---|
| 31:15     | reserved | RO   | 0x00  | Software should not rely on the value of a reserved bit. To provide compatibility with future products, the value of a reserved bit should be preserved across a read-modify-write operation. |
| 14        | TBPWML   | R/W  | 0     | GPTM TimerB PWM Output Level<br><br>The TBPWML values are defined as follows:<br><br>Value Description<br>0 Output is unaffected.<br>1 Output is inverted.                                    |
| 13:12     | reserved | RO   | 0     | Software should not rely on the value of a reserved bit. To provide compatibility with future products, the value of a reserved bit should be preserved across a read-modify-write operation. |
| 11:10     | TBEVENT  | R/W  | 0x0   | GPTM TimerB Event Mode<br><br>The TBEVENT values are defined as follows:<br><br>Value Description<br>0x0 Positive edge<br>0x1 Negative edge<br>0x2 Reserved<br>0x3 Both edges                 |

| Bit/Field | Name  | Type | Reset | Description  |       |             |     |   |     |   |     |          |     |            |
|-----------|---|------|-------|--|-------|-------------|-----|---|-----|---|-----|----------|-----|------------|
| 9         | TBSTALL   | R/W  | 0     | <p>GPTM Timer B Stall Enable</p> <p>The <b>TBSTALL</b> values are defined as follows:</p> <table border="1"> <thead> <tr> <th>Value</th> <th>Description</th> </tr> </thead> <tbody> <tr> <td>0</td> <td>Timer B continues counting while the processor is halted by the debugger.</td> </tr> <tr> <td>1</td> <td>Timer B freezes counting while the processor is halted by the debugger.</td> </tr> </tbody> </table> <p>If the processor is executing normally, the <b>TBSTALL</b> bit is ignored.</p> | Value | Description | 0   | Timer B continues counting while the processor is halted by the debugger. | 1   | Timer B freezes counting while the processor is halted by the debugger.                                     |     |          |     |            |
| Value     | Description   |      |       |  |       |             |     |   |     |   |     |          |     |            |
| 0         | Timer B continues counting while the processor is halted by the debugger.                                   |      |       |  |       |             |     |   |     |   |     |          |     |            |
| 1         | Timer B freezes counting while the processor is halted by the debugger.                                     |      |       |  |       |             |     |   |     |   |     |          |     |            |
| 8         | TBEN  | R/W  | 0     | <p>GPTM TimerB Enable</p> <p>The <b>TBEN</b> values are defined as follows:</p> <table border="1"> <thead> <tr> <th>Value</th> <th>Description</th> </tr> </thead> <tbody> <tr> <td>0</td> <td>TimerB is disabled.</td> </tr> <tr> <td>1</td> <td>TimerB is enabled and begins counting or the capture logic is enabled based on the <b>GPTMCFG</b> register.</td> </tr> </tbody> </table>   | Value | Description | 0   | TimerB is disabled.   | 1   | TimerB is enabled and begins counting or the capture logic is enabled based on the <b>GPTMCFG</b> register. |     |          |     |            |
| Value     | Description   |      |       |  |       |             |     |   |     |   |     |          |     |            |
| 0         | TimerB is disabled.   |      |       |  |       |             |     |   |     |   |     |          |     |            |
| 1         | TimerB is enabled and begins counting or the capture logic is enabled based on the <b>GPTMCFG</b> register. |      |       |  |       |             |     |   |     |   |     |          |     |            |
| 7         | reserved  | RO   | 0     | Software should not rely on the value of a reserved bit. To provide compatibility with future products, the value of a reserved bit should be preserved across a read-modify-write operation.  |       |             |     |   |     |   |     |          |     |            |
| 6         | TAPWML  | R/W  | 0     | <p>GPTM TimerA PWM Output Level</p> <p>The <b>TAPWML</b> values are defined as follows:</p> <table border="1"> <thead> <tr> <th>Value</th> <th>Description</th> </tr> </thead> <tbody> <tr> <td>0</td> <td>Output is unaffected.</td> </tr> <tr> <td>1</td> <td>Output is inverted.</td> </tr> </tbody> </table>   | Value | Description | 0   | Output is unaffected.   | 1   | Output is inverted.   |     |          |     |            |
| Value     | Description   |      |       |  |       |             |     |   |     |   |     |          |     |            |
| 0         | Output is unaffected.   |      |       |  |       |             |     |   |     |   |     |          |     |            |
| 1         | Output is inverted.   |      |       |  |       |             |     |   |     |   |     |          |     |            |
| 5         | reserved  | RO   | 0     | Software should not rely on the value of a reserved bit. To provide compatibility with future products, the value of a reserved bit should be preserved across a read-modify-write operation.  |       |             |     |   |     |   |     |          |     |            |
| 4         | RTCEN   | R/W  | 0     | <p>GPTM RTC Enable</p> <p>The <b>RTCEN</b> values are defined as follows:</p> <table border="1"> <thead> <tr> <th>Value</th> <th>Description</th> </tr> </thead> <tbody> <tr> <td>0</td> <td>RTC counting is disabled.</td> </tr> <tr> <td>1</td> <td>RTC counting is enabled.</td> </tr> </tbody> </table>  | Value | Description | 0   | RTC counting is disabled.   | 1   | RTC counting is enabled.  |     |          |     |            |
| Value     | Description   |      |       |  |       |             |     |   |     |   |     |          |     |            |
| 0         | RTC counting is disabled.   |      |       |  |       |             |     |   |     |   |     |          |     |            |
| 1         | RTC counting is enabled.  |      |       |  |       |             |     |   |     |   |     |          |     |            |
| 3:2       | TAEVENT   | R/W  | 0x0   | <p>GPTM TimerA Event Mode</p> <p>The <b>TAEVENT</b> values are defined as follows:</p> <table border="1"> <thead> <tr> <th>Value</th> <th>Description</th> </tr> </thead> <tbody> <tr> <td>0x0</td> <td>Positive edge</td> </tr> <tr> <td>0x1</td> <td>Negative edge</td> </tr> <tr> <td>0x2</td> <td>Reserved</td> </tr> <tr> <td>0x3</td> <td>Both edges</td> </tr> </tbody> </table>  | Value | Description | 0x0 | Positive edge   | 0x1 | Negative edge   | 0x2 | Reserved | 0x3 | Both edges |
| Value     | Description   |      |       |  |       |             |     |   |     |   |     |          |     |            |
| 0x0       | Positive edge   |      |       |  |       |             |     |   |     |   |     |          |     |            |
| 0x1       | Negative edge   |      |       |  |       |             |     |   |     |   |     |          |     |            |
| 0x2       | Reserved  |      |       |  |       |             |     |   |     |   |     |          |     |            |
| 0x3       | Both edges  |      |       |  |       |             |     |   |     |   |     |          |     |            |

| Bit/Field | Name  | Type | Reset | Description   |       |             |   |   |   |   |
|-----------|---|------|-------|---|-------|-------------|---|---|---|---|
| 1         | TASTALL   | R/W  | 0     | <p>GPTM Timer A Stall Enable</p> <p>The TASTALL values are defined as follows:</p> <table border="1"><thead><tr><th>Value</th><th>Description</th></tr></thead><tbody><tr><td>0</td><td>Timer A continues counting while the processor is halted by the debugger.</td></tr><tr><td>1</td><td>Timer A freezes counting while the processor is halted by the debugger.</td></tr></tbody></table> <p>If the processor is executing normally, the TASTALL bit is ignored.</p> | Value | Description | 0 | Timer A continues counting while the processor is halted by the debugger. | 1 | Timer A freezes counting while the processor is halted by the debugger.                                     |
| Value     | Description   |      |       |   |       |             |   |   |   |   |
| 0         | Timer A continues counting while the processor is halted by the debugger.                                   |      |       |   |       |             |   |   |   |   |
| 1         | Timer A freezes counting while the processor is halted by the debugger.                                     |      |       |   |       |             |   |   |   |   |
| 0         | TAEN  | R/W  | 0     | <p>GPTM TimerA Enable</p> <p>The TAEN values are defined as follows:</p> <table border="1"><thead><tr><th>Value</th><th>Description</th></tr></thead><tbody><tr><td>0</td><td>TimerA is disabled.</td></tr><tr><td>1</td><td>TimerA is enabled and begins counting or the capture logic is enabled based on the <b>GPTMCFG</b> register.</td></tr></tbody></table>  | Value | Description | 0 | TimerA is disabled.   | 1 | TimerA is enabled and begins counting or the capture logic is enabled based on the <b>GPTMCFG</b> register. |
| Value     | Description   |      |       |   |       |             |   |   |   |   |
| 0         | TimerA is disabled.   |      |       |   |       |             |   |   |   |   |
| 1         | TimerA is enabled and begins counting or the capture logic is enabled based on the <b>GPTMCFG</b> register. |      |       |   |       |             |   |   |   |   |

## Register 5: GPTM Interrupt Mask (GPTMIMR), offset 0x018

This register allows software to enable/disable GPTM controller-level interrupts. Writing a 1 enables the interrupt, while writing a 0 disables it.

### GPTM Interrupt Mask (GPTMIMR)

Timer0 base: 0x4003.0000  
 Timer1 base: 0x4003.1000  
 Timer2 base: 0x4003.2000  
 Timer3 base: 0x4003.3000  
 Offset 0x018  
 Type R/W, reset 0x0000.0000

|       |          |    |    |    |    |       |       |        |          |    |    |    |       |       |       |        |
|-------|----------|----|----|----|----|-------|-------|--------|----------|----|----|----|-------|-------|-------|--------|
|       | 31       | 30 | 29 | 28 | 27 | 26    | 25    | 24     | 23       | 22 | 21 | 20 | 19    | 18    | 17    | 16     |
|       | reserved |    |    |    |    |       |       |        |          |    |    |    |       |       |       |        |
| Type  | RO       | RO | RO | RO | RO | RO    | RO    | RO     | RO       | RO | RO | RO | RO    | RO    | RO    | RO     |
| Reset | 0        | 0  | 0  | 0  | 0  | 0     | 0     | 0      | 0        | 0  | 0  | 0  | 0     | 0     | 0     | 0      |
|       | 15       | 14 | 13 | 12 | 11 | 10    | 9     | 8      | 7        | 6  | 5  | 4  | 3     | 2     | 1     | 0      |
|       | reserved |    |    |    |    | CBEIM | CBMIM | TBTOIM | reserved |    |    |    | RTCIM | CAEIM | CAMIM | TATOIM |
| Type  | RO       | RO | RO | RO | RO | R/W   | R/W   | R/W    | RO       | RO | RO | RO | R/W   | R/W   | R/W   | R/W    |
| Reset | 0        | 0  | 0  | 0  | 0  | 0     | 0     | 0      | 0        | 0  | 0  | 0  | 0     | 0     | 0     | 0      |

| Bit/Field | Name     | Type | Reset | Description   |
|-----------|----------|------|-------|---|
| 31:11     | reserved | RO   | 0x00  | Software should not rely on the value of a reserved bit. To provide compatibility with future products, the value of a reserved bit should be preserved across a read-modify-write operation. |
| 10        | CBEIM    | R/W  | 0     | GPTM CaptureB Event Interrupt Mask<br>The CBEIM values are defined as follows:<br>Value Description<br>0 Interrupt is disabled.<br>1 Interrupt is enabled.                                    |
| 9         | CBMIM    | R/W  | 0     | GPTM CaptureB Match Interrupt Mask<br>The CBMIM values are defined as follows:<br>Value Description<br>0 Interrupt is disabled.<br>1 Interrupt is enabled.                                    |
| 8         | TBTOIM   | R/W  | 0     | GPTM TimerB Time-Out Interrupt Mask<br>The TBTOIM values are defined as follows:<br>Value Description<br>0 Interrupt is disabled.<br>1 Interrupt is enabled.                                  |
| 7:4       | reserved | RO   | 0     | Software should not rely on the value of a reserved bit. To provide compatibility with future products, the value of a reserved bit should be preserved across a read-modify-write operation. |

| Bit/Field | Name   | Type | Reset | Description  |
|-----------|--------|------|-------|--|
| 3         | RTCIM  | R/W  | 0     | GPTM RTC Interrupt Mask<br>The RTCIM values are defined as follows:<br><br>Value Description<br>0 Interrupt is disabled.<br>1 Interrupt is enabled.              |
| 2         | CAEIM  | R/W  | 0     | GPTM CaptureA Event Interrupt Mask<br>The CAEIM values are defined as follows:<br><br>Value Description<br>0 Interrupt is disabled.<br>1 Interrupt is enabled.   |
| 1         | CAMIM  | R/W  | 0     | GPTM CaptureA Match Interrupt Mask<br>The CAMIM values are defined as follows:<br><br>Value Description<br>0 Interrupt is disabled.<br>1 Interrupt is enabled.   |
| 0         | TATOIM | R/W  | 0     | GPTM TimerA Time-Out Interrupt Mask<br>The TATOIM values are defined as follows:<br><br>Value Description<br>0 Interrupt is disabled.<br>1 Interrupt is enabled. |



## Register 6: GPTM Raw Interrupt Status (GPTMRIS), offset 0x01C

This register shows the state of the GPTM's internal interrupt signal. These bits are set whether or not the interrupt is masked in the **GPTMIMR** register. Each bit can be cleared by writing a 1 to its corresponding bit in **GPTMICR**.

### GPTM Raw Interrupt Status (GPTMRIS)

Timer0 base: 0x4003.0000  
 Timer1 base: 0x4003.1000  
 Timer2 base: 0x4003.2000  
 Timer3 base: 0x4003.3000  
 Offset 0x01C  
 Type RO, reset 0x0000.0000

|       |          |    |    |    |    |        |        |         |          |    |    |    |        |        |        |         |
|-------|----------|----|----|----|----|--------|--------|---------|----------|----|----|----|--------|--------|--------|---------|
|       | 31       | 30 | 29 | 28 | 27 | 26     | 25     | 24      | 23       | 22 | 21 | 20 | 19     | 18     | 17     | 16      |
|       | reserved |    |    |    |    |        |        |         |          |    |    |    |        |        |        |         |
| Type  | RO       | RO | RO | RO | RO | RO     | RO     | RO      | RO       | RO | RO | RO | RO     | RO     | RO     | RO      |
| Reset | 0        | 0  | 0  | 0  | 0  | 0      | 0      | 0       | 0        | 0  | 0  | 0  | 0      | 0      | 0      | 0       |
|       | 15       | 14 | 13 | 12 | 11 | 10     | 9      | 8       | 7        | 6  | 5  | 4  | 3      | 2      | 1      | 0       |
|       | reserved |    |    |    |    | CBERIS | CBMRIS | TBTORIS | reserved |    |    |    | RTCRIS | CAERIS | CAMRIS | TATORIS |
| Type  | RO       | RO | RO | RO | RO | RO     | RO     | RO      | RO       | RO | RO | RO | RO     | RO     | RO     | RO      |
| Reset | 0        | 0  | 0  | 0  | 0  | 0      | 0      | 0       | 0        | 0  | 0  | 0  | 0      | 0      | 0      | 0       |

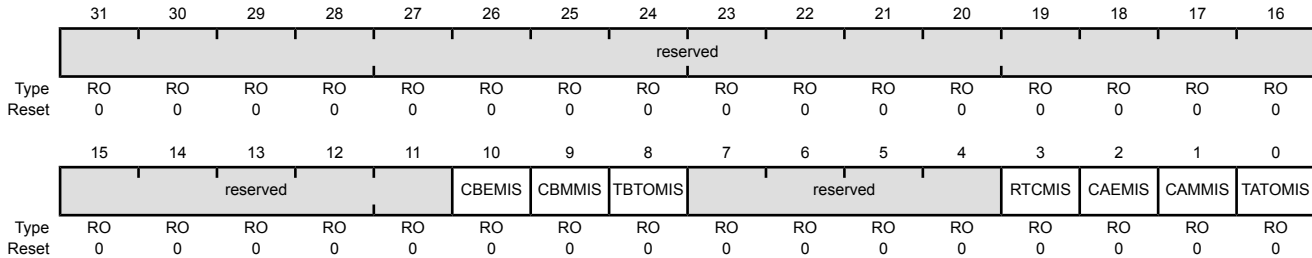
| Bit/Field | Name     | Type | Reset | Description   |
|-----------|----------|------|-------|---|
| 31:11     | reserved | RO   | 0x00  | Software should not rely on the value of a reserved bit. To provide compatibility with future products, the value of a reserved bit should be preserved across a read-modify-write operation. |
| 10        | CBERIS   | RO   | 0     | GPTM CaptureB Event Raw Interrupt<br>This is the CaptureB Event interrupt status prior to masking.  |
| 9         | CBMRIS   | RO   | 0     | GPTM CaptureB Match Raw Interrupt<br>This is the CaptureB Match interrupt status prior to masking.  |
| 8         | TBTORIS  | RO   | 0     | GPTM TimerB Time-Out Raw Interrupt<br>This is the TimerB time-out interrupt status prior to masking.  |
| 7:4       | reserved | RO   | 0x0   | Software should not rely on the value of a reserved bit. To provide compatibility with future products, the value of a reserved bit should be preserved across a read-modify-write operation. |
| 3         | RTCRIS   | RO   | 0     | GPTM RTC Raw Interrupt<br>This is the RTC Event interrupt status prior to masking.  |
| 2         | CAERIS   | RO   | 0     | GPTM CaptureA Event Raw Interrupt<br>This is the CaptureA Event interrupt status prior to masking.  |
| 1         | CAMRIS   | RO   | 0     | GPTM CaptureA Match Raw Interrupt<br>This is the CaptureA Match interrupt status prior to masking.  |
| 0         | TATORIS  | RO   | 0     | GPTM TimerA Time-Out Raw Interrupt<br>This the TimerA time-out interrupt status prior to masking.   |

### Register 7: GPTM Masked Interrupt Status (GPTMMIS), offset 0x020

This register show the state of the GPTM's controller-level interrupt. If an interrupt is unmasked in **GPTMIMR**, and there is an event that causes the interrupt to be asserted, the corresponding bit is set in this register. All bits are cleared by writing a 1 to the corresponding bit in **GPTMICR**.

#### GPTM Masked Interrupt Status (GPTMMIS)

Timer0 base: 0x4003.0000  
 Timer1 base: 0x4003.1000  
 Timer2 base: 0x4003.2000  
 Timer3 base: 0x4003.3000  
 Offset 0x020  
 Type RO, reset 0x0000.0000



| Bit/Field | Name     | Type | Reset | Description   |
|-----------|----------|------|-------|---|
| 31:11     | reserved | RO   | 0x00  | Software should not rely on the value of a reserved bit. To provide compatibility with future products, the value of a reserved bit should be preserved across a read-modify-write operation. |
| 10        | CBEMIS   | RO   | 0     | GPTM CaptureB Event Masked Interrupt<br>This is the CaptureB event interrupt status after masking.  |
| 9         | CBMMIS   | RO   | 0     | GPTM CaptureB Match Masked Interrupt<br>This is the CaptureB match interrupt status after masking.  |
| 8         | TBTOMIS  | RO   | 0     | GPTM TimerB Time-Out Masked Interrupt<br>This is the TimerB time-out interrupt status after masking.  |
| 7:4       | reserved | RO   | 0x0   | Software should not rely on the value of a reserved bit. To provide compatibility with future products, the value of a reserved bit should be preserved across a read-modify-write operation. |
| 3         | RTCMIS   | RO   | 0     | GPTM RTC Masked Interrupt<br>This is the RTC event interrupt status after masking.  |
| 2         | CAEMIS   | RO   | 0     | GPTM CaptureA Event Masked Interrupt<br>This is the CaptureA event interrupt status after masking.  |
| 1         | CAMMIS   | RO   | 0     | GPTM CaptureA Match Masked Interrupt<br>This is the CaptureA match interrupt status after masking.  |
| 0         | TATOMIS  | RO   | 0     | GPTM TimerA Time-Out Masked Interrupt<br>This is the TimerA time-out interrupt status after masking.  |

## Register 8: GPTM Interrupt Clear (GPTMICR), offset 0x024

This register is used to clear the status bits in the **GPTMRIS** and **GPTMMIS** registers. Writing a 1 to a bit clears the corresponding bit in the **GPTMRIS** and **GPTMMIS** registers.

### GPTM Interrupt Clear (GPTMICR)

Timer0 base: 0x4003.0000  
 Timer1 base: 0x4003.1000  
 Timer2 base: 0x4003.2000  
 Timer3 base: 0x4003.3000  
 Offset 0x024  
 Type W1C, reset 0x0000.0000

|       |          |    |    |    |    |    |         |         |          |          |    |    |         |         |         |          |     |
|-------|----------|----|----|----|----|----|---------|---------|----------|----------|----|----|---------|---------|---------|----------|-----|
|       | 31       | 30 | 29 | 28 | 27 | 26 | 25      | 24      | 23       | 22       | 21 | 20 | 19      | 18      | 17      | 16       |     |
|       | reserved |    |    |    |    |    |         |         |          |          |    |    |         |         |         |          |     |
| Type  | RO       | RO | RO | RO | RO | RO | RO      | RO      | RO       | RO       | RO | RO | RO      | RO      | RO      | RO       |     |
| Reset | 0        | 0  | 0  | 0  | 0  | 0  | 0       | 0       | 0        | 0        | 0  | 0  | 0       | 0       | 0       | 0        |     |
|       | 15       | 14 | 13 | 12 | 11 | 10 | 9       | 8       | 7        | 6        | 5  | 4  | 3       | 2       | 1       | 0        |     |
|       | reserved |    |    |    |    |    | CBECINT | CBMCINT | TBTOCINT | reserved |    |    | RTCCINT | CAECINT | CAMCINT | TATOCINT |     |
| Type  | RO       | RO | RO | RO | RO |    | W1C     | W1C     | W1C      | RO       | RO | RO | RO      | W1C     | W1C     | W1C      | W1C |
| Reset | 0        | 0  | 0  | 0  | 0  |    | 0       | 0       | 0        | 0        | 0  | 0  | 0       | 0       | 0       | 0        | 0   |

| Bit/Field | Name     | Type | Reset | Description   |
|-----------|----------|------|-------|---|
| 31:11     | reserved | RO   | 0x00  | Software should not rely on the value of a reserved bit. To provide compatibility with future products, the value of a reserved bit should be preserved across a read-modify-write operation. |
| 10        | CBECINT  | W1C  | 0     | GPTM CaptureB Event Interrupt Clear<br><br>The <b>CBECINT</b> values are defined as follows:<br><br>Value Description<br>0 The interrupt is unaffected.<br>1 The interrupt is cleared.        |
| 9         | CBMCINT  | W1C  | 0     | GPTM CaptureB Match Interrupt Clear<br><br>The <b>CBMCINT</b> values are defined as follows:<br><br>Value Description<br>0 The interrupt is unaffected.<br>1 The interrupt is cleared.        |
| 8         | TBTOCINT | W1C  | 0     | GPTM TimerB Time-Out Interrupt Clear<br><br>The <b>TBTOCINT</b> values are defined as follows:<br><br>Value Description<br>0 The interrupt is unaffected.<br>1 The interrupt is cleared.      |
| 7:4       | reserved | RO   | 0x0   | Software should not rely on the value of a reserved bit. To provide compatibility with future products, the value of a reserved bit should be preserved across a read-modify-write operation. |

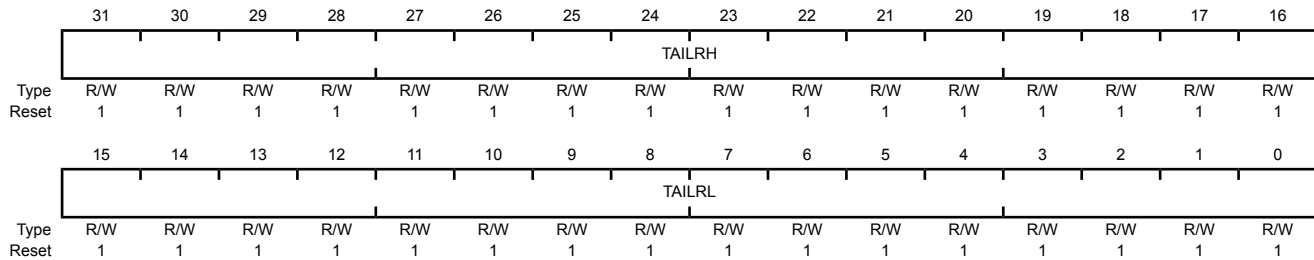
| Bit/Field | Name     | Type | Reset | Description  |
|-----------|----------|------|-------|--|
| 3         | RTCCINT  | W1C  | 0     | GPTM RTC Interrupt Clear<br>The <code>RTCCINT</code> values are defined as follows:<br><br>Value Description<br>0 The interrupt is unaffected.<br>1 The interrupt is cleared.            |
| 2         | CAECINT  | W1C  | 0     | GPTM CaptureA Event Interrupt Clear<br>The <code>CAECINT</code> values are defined as follows:<br><br>Value Description<br>0 The interrupt is unaffected.<br>1 The interrupt is cleared. |
| 1         | CAMCINT  | W1C  | 0     | GPTM CaptureA Match Raw Interrupt<br>This is the CaptureA match interrupt status after masking.  |
| 0         | TATOCINT | W1C  | 0     | GPTM TimerA Time-Out Raw Interrupt<br>The <code>TATOCINT</code> values are defined as follows:<br><br>Value Description<br>0 The interrupt is unaffected.<br>1 The interrupt is cleared. |

## Register 9: GPTM TimerA Interval Load (GPTMTAILR), offset 0x028

This register is used to load the starting count value into the timer. When GPTM is configured to one of the 32-bit modes, **GPTMTAILR** appears as a 32-bit register (the upper 16-bits correspond to the contents of the **GPTM TimerB Interval Load (GPTMTBILR)** register). In 16-bit mode, the upper 16 bits of this register read as 0s and have no effect on the state of **GPTMTBILR**.

### GPTM TimerA Interval Load (GPTMTAILR)

Timer0 base: 0x4003.0000  
 Timer1 base: 0x4003.1000  
 Timer2 base: 0x4003.2000  
 Timer3 base: 0x4003.3000  
 Offset 0x028  
 Type R/W, reset 0xFFFF.FFFF



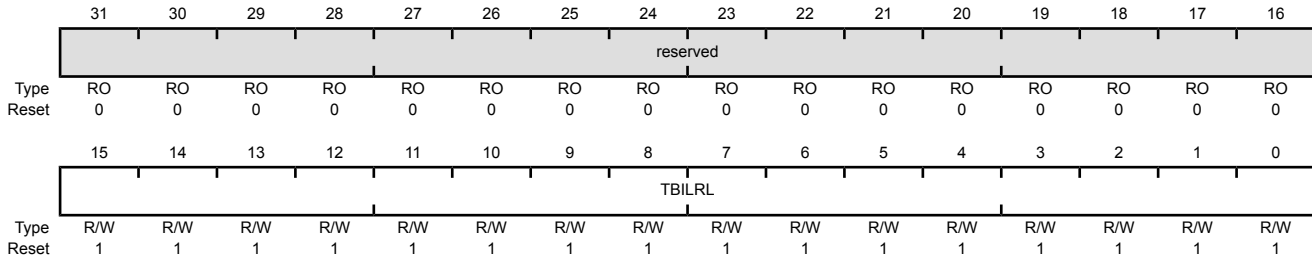
| Bit/Field | Name   | Type | Reset  | Description  |
|-----------|--------|------|--------|--|
| 31:16     | TAILRH | R/W  | 0xFFFF | <p>GPTM TimerA Interval Load Register High</p> <p>When configured for 32-bit mode via the <b>GPTMCFG</b> register, the <b>GPTM TimerB Interval Load (GPTMTBILR)</b> register loads this value on a write. A read returns the current value of <b>GPTMTBILR</b>.</p> <p>In 16-bit mode, this field reads as 0 and does not have an effect on the state of <b>GPTMTBILR</b>.</p> |
| 15:0      | TAILRL | R/W  | 0xFFFF | <p>GPTM TimerA Interval Load Register Low</p> <p>For both 16- and 32-bit modes, writing this field loads the counter for TimerA. A read returns the current value of <b>GPTMTAILR</b>.</p>   |

### Register 10: GPTM TimerB Interval Load (GPTMTBILR), offset 0x02C

This register is used to load the starting count value into TimerB. When the GPTM is configured to a 32-bit mode, **GPTMTBILR** returns the current value of TimerB and ignores writes.

#### GPTM TimerB Interval Load (GPTMTBILR)

Timer0 base: 0x4003.0000  
 Timer1 base: 0x4003.1000  
 Timer2 base: 0x4003.2000  
 Timer3 base: 0x4003.3000  
 Offset 0x02C  
 Type R/W, reset 0x0000.FFFF



| Bit/Field | Name     | Type | Reset  | Description  |
|-----------|----------|------|--------|--|
| 31:16     | reserved | RO   | 0x0000 | Software should not rely on the value of a reserved bit. To provide compatibility with future products, the value of a reserved bit should be preserved across a read-modify-write operation.  |
| 15:0      | TBILRL   | R/W  | 0xFFFF | GPTM TimerB Interval Load Register<br><br>When the GPTM is not configured as a 32-bit timer, a write to this field updates <b>GPTMTBILR</b> . In 32-bit mode, writes are ignored, and reads return the current value of <b>GPTMTBILR</b> . |

## Register 11: GPTM TimerA Match (GPTMTAMATCHR), offset 0x030

This register is used in 32-bit Real-Time Clock mode and 16-bit PWM and Input Edge Count modes.

### GPTM TimerA Match (GPTMTAMATCHR)

Timer0 base: 0x4003.0000  
 Timer1 base: 0x4003.1000  
 Timer2 base: 0x4003.2000  
 Timer3 base: 0x4003.3000  
 Offset 0x030  
 Type R/W, reset 0xFFFF.FFFF

|       |       |     |     |     |     |     |     |     |     |     |     |     |     |     |     |     |
|-------|-------|-----|-----|-----|-----|-----|-----|-----|-----|-----|-----|-----|-----|-----|-----|-----|
|       | 31    | 30  | 29  | 28  | 27  | 26  | 25  | 24  | 23  | 22  | 21  | 20  | 19  | 18  | 17  | 16  |
|       | TAMRH |     |     |     |     |     |     |     |     |     |     |     |     |     |     |     |
| Type  | R/W   | R/W | R/W | R/W | R/W | R/W | R/W | R/W | R/W | R/W | R/W | R/W | R/W | R/W | R/W | R/W |
| Reset | 1     | 1   | 1   | 1   | 1   | 1   | 1   | 1   | 1   | 1   | 1   | 1   | 1   | 1   | 1   | 1   |
|       | 15    | 14  | 13  | 12  | 11  | 10  | 9   | 8   | 7   | 6   | 5   | 4   | 3   | 2   | 1   | 0   |
|       | TAMRL |     |     |     |     |     |     |     |     |     |     |     |     |     |     |     |
| Type  | R/W   | R/W | R/W | R/W | R/W | R/W | R/W | R/W | R/W | R/W | R/W | R/W | R/W | R/W | R/W | R/W |
| Reset | 1     | 1   | 1   | 1   | 1   | 1   | 1   | 1   | 1   | 1   | 1   | 1   | 1   | 1   | 1   | 1   |

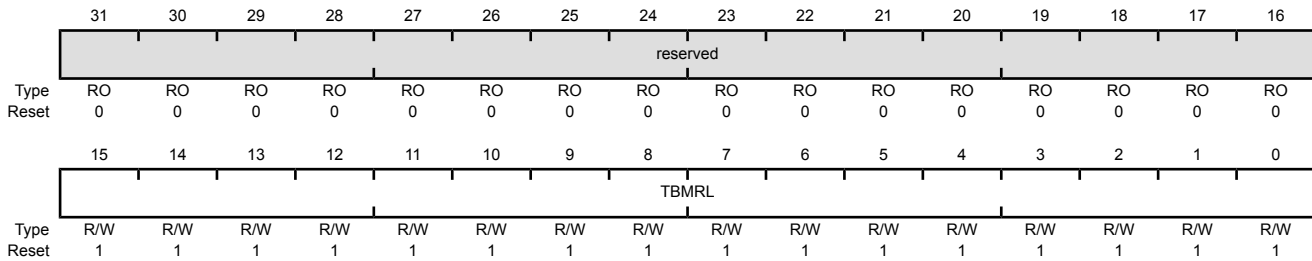
| Bit/Field | Name  | Type | Reset  | Description  |
|-----------|-------|------|--------|--|
| 31:16     | TAMRH | R/W  | 0xFFFF | <p>GPTM TimerA Match Register High</p> <p>When configured for 32-bit Real-Time Clock (RTC) mode via the <b>GPTMCFG</b> register, this value is compared to the upper half of <b>GPTMTAR</b>, to determine match events.</p> <p>In 16-bit mode, this field reads as 0 and does not have an effect on the state of <b>GPTMTBMATCHR</b>.</p>  |
| 15:0      | TAMRL | R/W  | 0xFFFF | <p>GPTM TimerA Match Register Low</p> <p>When configured for 32-bit Real-Time Clock (RTC) mode via the <b>GPTMCFG</b> register, this value is compared to the lower half of <b>GPTMTAR</b>, to determine match events.</p> <p>When configured for PWM mode, this value along with <b>GPTMTAILR</b>, determines the duty cycle of the output PWM signal.</p> <p>When configured for Edge Count mode, this value along with <b>GPTMTAILR</b>, determines how many edge events are counted. The total number of edge events counted is equal to the value in <b>GPTMTAILR</b> minus this value.</p> |

## Register 12: GPTM TimerB Match (GPTMTBMATCHR), offset 0x034

This register is used in 16-bit PWM and Input Edge Count modes.

### GPTM TimerB Match (GPTMTBMATCHR)

Timer0 base: 0x4003.0000  
 Timer1 base: 0x4003.1000  
 Timer2 base: 0x4003.2000  
 Timer3 base: 0x4003.3000  
 Offset 0x034  
 Type R/W, reset 0x0000.FFFF



| Bit/Field | Name     | Type | Reset  | Description  |
|-----------|----------|------|--------|--|
| 31:16     | reserved | RO   | 0x0000 | Software should not rely on the value of a reserved bit. To provide compatibility with future products, the value of a reserved bit should be preserved across a read-modify-write operation.  |
| 15:0      | TBMRL    | R/W  | 0xFFFF | GPTM TimerB Match Register Low<br><br>When configured for PWM mode, this value along with <b>GPTMTBILR</b> , determines the duty cycle of the output PWM signal.<br><br>When configured for Edge Count mode, this value along with <b>GPTMTBILR</b> , determines how many edge events are counted. The total number of edge events counted is equal to the value in <b>GPTMTBILR</b> minus this value. |



**Register 13: GPTM TimerA Prescale (GPTMTAPR), offset 0x038**

This register allows software to extend the range of the 16-bit timers when operating in one-shot or periodic mode.

**GPTM TimerA Prescale (GPTMTAPR)**

Timer0 base: 0x4003.0000  
 Timer1 base: 0x4003.1000  
 Timer2 base: 0x4003.2000  
 Timer3 base: 0x4003.3000  
 Offset 0x038  
 Type R/W, reset 0x0000.0000

|       |          |    |    |    |    |    |    |    |       |     |     |     |     |     |     |     |
|-------|----------|----|----|----|----|----|----|----|-------|-----|-----|-----|-----|-----|-----|-----|
|       | 31       | 30 | 29 | 28 | 27 | 26 | 25 | 24 | 23    | 22  | 21  | 20  | 19  | 18  | 17  | 16  |
|       | reserved |    |    |    |    |    |    |    |       |     |     |     |     |     |     |     |
| Type  | RO       | RO | RO | RO | RO | RO | RO | RO | RO    | RO  | RO  | RO  | RO  | RO  | RO  | RO  |
| Reset | 0        | 0  | 0  | 0  | 0  | 0  | 0  | 0  | 0     | 0   | 0   | 0   | 0   | 0   | 0   | 0   |
|       | 15       | 14 | 13 | 12 | 11 | 10 | 9  | 8  | 7     | 6   | 5   | 4   | 3   | 2   | 1   | 0   |
|       | reserved |    |    |    |    |    |    |    | TAPSR |     |     |     |     |     |     |     |
| Type  | RO       | RO | RO | RO | RO | RO | RO | RO | R/W   | R/W | R/W | R/W | R/W | R/W | R/W | R/W |
| Reset | 0        | 0  | 0  | 0  | 0  | 0  | 0  | 0  | 0     | 0   | 0   | 0   | 0   | 0   | 0   | 0   |

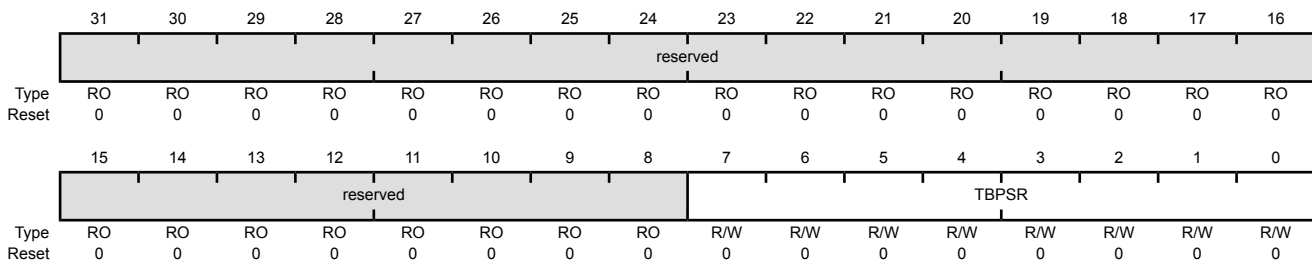
| Bit/Field | Name     | Type | Reset | Description   |
|-----------|----------|------|-------|---|
| 31:8      | reserved | RO   | 0x00  | Software should not rely on the value of a reserved bit. To provide compatibility with future products, the value of a reserved bit should be preserved across a read-modify-write operation.   |
| 7:0       | TAPSR    | R/W  | 0x00  | GPTM TimerA Prescale<br><br>The register loads this value on a write. A read returns the current value of the register.<br><br>Refer to Table 10-2 on page 215 for more details and an example. |

### Register 14: GPTM TimerB Prescale (GPTMTBPR), offset 0x03C

This register allows software to extend the range of the 16-bit timers when operating in one-shot or periodic mode.

#### GPTM TimerB Prescale (GPTMTBPR)

Timer0 base: 0x4003.0000  
 Timer1 base: 0x4003.1000  
 Timer2 base: 0x4003.2000  
 Timer3 base: 0x4003.3000  
 Offset 0x03C  
 Type R/W, reset 0x0000.0000



| Bit/Field | Name     | Type | Reset | Description  |
|-----------|----------|------|-------|--|
| 31:8      | reserved | RO   | 0x00  | Software should not rely on the value of a reserved bit. To provide compatibility with future products, the value of a reserved bit should be preserved across a read-modify-write operation.    |
| 7:0       | TBPSR    | R/W  | 0x00  | GPTM TimerB Prescale<br><br>The register loads this value on a write. A read returns the current value of this register.<br><br>Refer to Table 10-2 on page 215 for more details and an example. |

**Register 15: GPTM TimerA Prescale Match (GPTMTAPMR), offset 0x040**

This register effectively extends the range of **GPTMTAMATCHR** to 24 bits when operating in 16-bit one-shot or periodic mode.

## GPTM TimerA Prescale Match (GPTMTAPMR)

Timer0 base: 0x4003.0000  
 Timer1 base: 0x4003.1000  
 Timer2 base: 0x4003.2000  
 Timer3 base: 0x4003.3000  
 Offset 0x040  
 Type R/W, reset 0x0000.0000

|       |          |    |    |    |    |    |    |    |        |     |     |     |     |     |     |     |
|-------|----------|----|----|----|----|----|----|----|--------|-----|-----|-----|-----|-----|-----|-----|
|       | 31       | 30 | 29 | 28 | 27 | 26 | 25 | 24 | 23     | 22  | 21  | 20  | 19  | 18  | 17  | 16  |
|       | reserved |    |    |    |    |    |    |    |        |     |     |     |     |     |     |     |
| Type  | RO       | RO | RO | RO | RO | RO | RO | RO | RO     | RO  | RO  | RO  | RO  | RO  | RO  | RO  |
| Reset | 0        | 0  | 0  | 0  | 0  | 0  | 0  | 0  | 0      | 0   | 0   | 0   | 0   | 0   | 0   | 0   |
|       | 15       | 14 | 13 | 12 | 11 | 10 | 9  | 8  | 7      | 6   | 5   | 4   | 3   | 2   | 1   | 0   |
|       | reserved |    |    |    |    |    |    |    | TAPSMR |     |     |     |     |     |     |     |
| Type  | RO       | RO | RO | RO | RO | RO | RO | RO | R/W    | R/W | R/W | R/W | R/W | R/W | R/W | R/W |
| Reset | 0        | 0  | 0  | 0  | 0  | 0  | 0  | 0  | 0      | 0   | 0   | 0   | 0   | 0   | 0   | 0   |

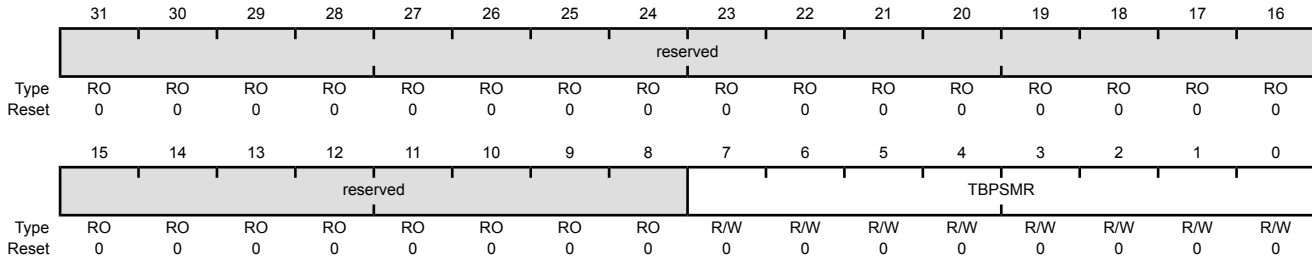
| Bit/Field | Name     | Type | Reset | Description   |
|-----------|----------|------|-------|---|
| 31:8      | reserved | RO   | 0x00  | Software should not rely on the value of a reserved bit. To provide compatibility with future products, the value of a reserved bit should be preserved across a read-modify-write operation. |
| 7:0       | TAPSMR   | R/W  | 0x00  | GPTM TimerA Prescale Match<br><br>This value is used alongside <b>GPTMTAMATCHR</b> to detect timer match events while using a prescaler.  |

### Register 16: GPTM TimerB Prescale Match (GPTMTBPMR), offset 0x044

This register effectively extends the range of **GPTMTBMATCHR** to 24 bits when operating in 16-bit one-shot or periodic mode.

#### GPTM TimerB Prescale Match (GPTMTBPMR)

Timer0 base: 0x4003.0000  
 Timer1 base: 0x4003.1000  
 Timer2 base: 0x4003.2000  
 Timer3 base: 0x4003.3000  
 Offset 0x044  
 Type R/W, reset 0x0000.0000



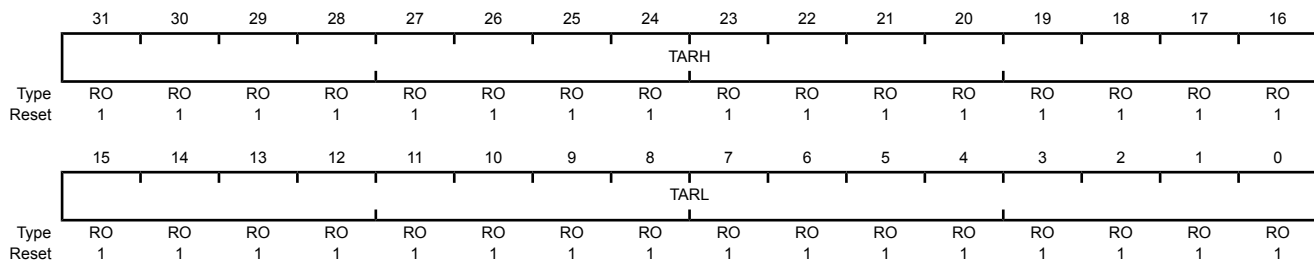
| Bit/Field | Name     | Type | Reset | Description   |
|-----------|----------|------|-------|---|
| 31:8      | reserved | RO   | 0x00  | Software should not rely on the value of a reserved bit. To provide compatibility with future products, the value of a reserved bit should be preserved across a read-modify-write operation. |
| 7:0       | TBPSMR   | R/W  | 0x00  | GPTM TimerB Prescale Match<br><br>This value is used alongside <b>GPTMTBMATCHR</b> to detect timer match events while using a prescaler.  |

**Register 17: GPTM TimerA (GPTMTAR), offset 0x048**

This register shows the current value of the TimerA counter in all cases except for Input Edge Count mode. When in this mode, this register contains the time at which the last edge event took place.

**GPTM TimerA (GPTMTAR)**

Timer0 base: 0x4003.0000  
 Timer1 base: 0x4003.1000  
 Timer2 base: 0x4003.2000  
 Timer3 base: 0x4003.3000  
 Offset 0x048  
 Type RO, reset 0xFFFF.FFFF



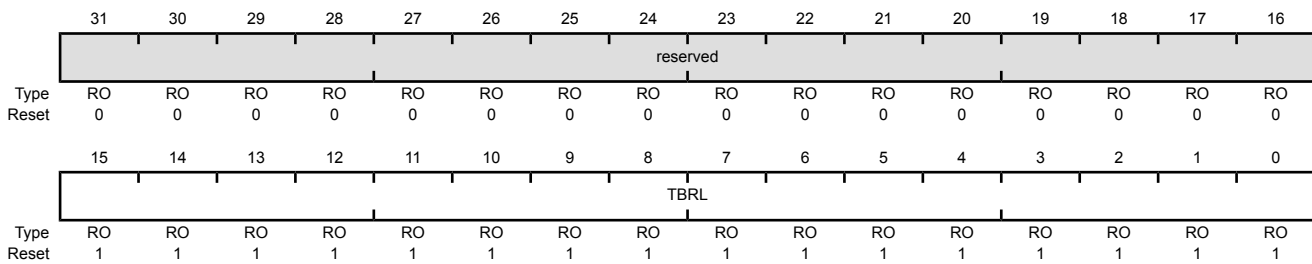
| Bit/Field | Name | Type | Reset  | Description  |
|-----------|------|------|--------|--|
| 31:16     | TARH | RO   | 0xFFFF | GPTM TimerA Register High<br><br>If the <b>GPTMCFG</b> is in a 32-bit mode, TimerB value is read. If the <b>GPTMCFG</b> is in a 16-bit mode, this is read as zero.                                   |
| 15:0      | TARL | RO   | 0xFFFF | GPTM TimerA Register Low<br><br>A read returns the current value of the <b>GPTM TimerA Count Register</b> , except in Input Edge Count mode, when it returns the timestamp from the last edge event. |

### Register 18: GPTM TimerB (GPTMTBR), offset 0x04C

This register shows the current value of the TimerB counter in all cases except for Input Edge Count mode. When in this mode, this register contains the time at which the last edge event took place.

#### GPTM TimerB (GPTMTBR)

Timer0 base: 0x4003.0000  
 Timer1 base: 0x4003.1000  
 Timer2 base: 0x4003.2000  
 Timer3 base: 0x4003.3000  
 Offset 0x04C  
 Type RO, reset 0x0000.FFFF



| Bit/Field | Name     | Type | Reset  | Description   |
|-----------|----------|------|--------|---|
| 31:16     | reserved | RO   | 0x0000 | Software should not rely on the value of a reserved bit. To provide compatibility with future products, the value of a reserved bit should be preserved across a read-modify-write operation. |
| 15:0      | TBRL     | RO   | 0xFFFF | GPTM TimerB   |

A read returns the current value of the **GPTM TimerB Count Register**, except in Input Edge Count mode, when it returns the timestamp from the last edge event.

## 11 Watchdog Timer

A watchdog timer can generate nonmaskable interrupts (NMIs) or a reset when a time-out value is reached. The watchdog timer is used to regain control when a system has failed due to a software error or due to the failure of an external device to respond in the expected way.

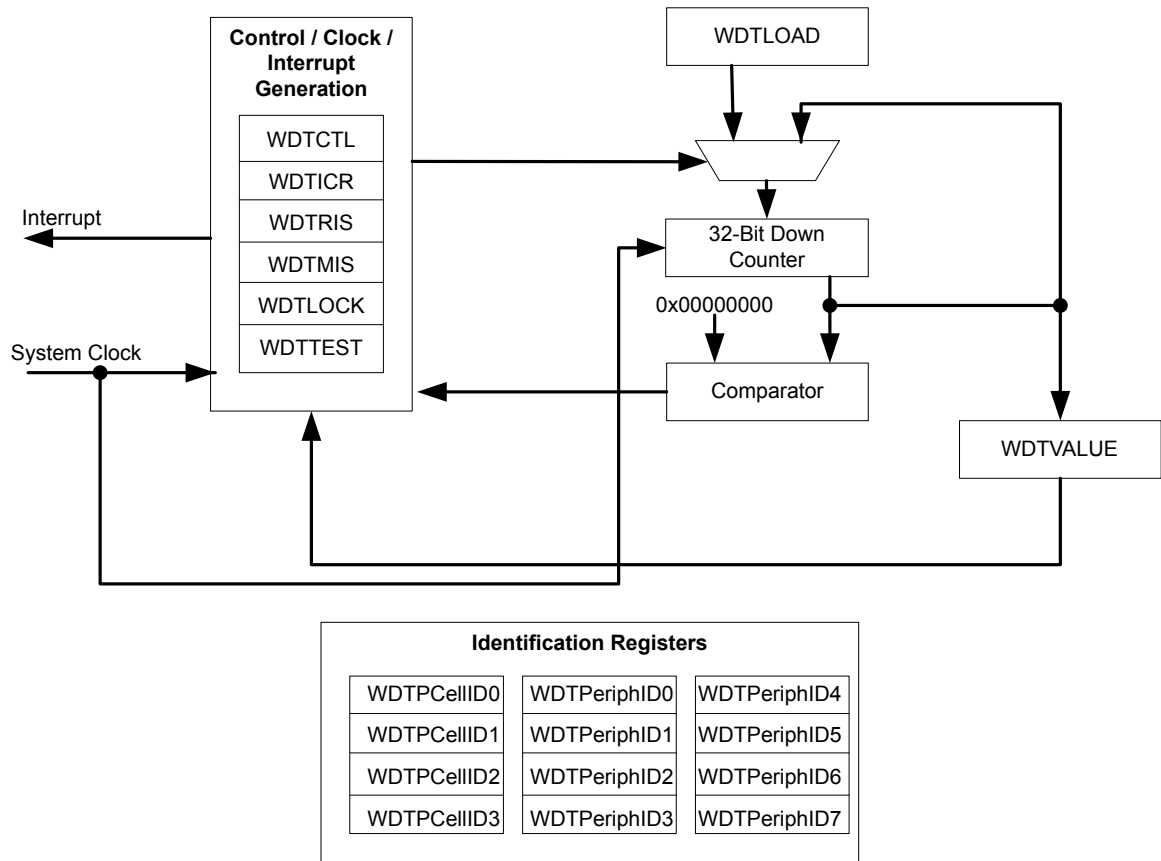
The Stellaris® Watchdog Timer module has the following features:

- 32-bit down counter with a programmable load register
- Separate watchdog clock with an enable
- Programmable interrupt generation logic with interrupt masking
- Lock register protection from runaway software
- Reset generation logic with an enable/disable
- User-enabled stalling when the controller asserts the CPU Halt flag during debug

The Watchdog Timer can be configured to generate an interrupt to the controller on its first time-out, and to generate a reset signal on its second time-out. Once the Watchdog Timer has been configured, the lock register can be written to prevent the timer configuration from being inadvertently altered.

## 11.1 Block Diagram

Figure 11-1. WDT Module Block Diagram



## 11.2 Functional Description

The Watchdog Timer module generates the first time-out signal when the 32-bit counter reaches the zero state after being enabled; enabling the counter also enables the watchdog timer interrupt. After the first time-out event, the 32-bit counter is re-loaded with the value of the **Watchdog Timer Load (WDTLOAD)** register, and the timer resumes counting down from that value. Once the Watchdog Timer has been configured, the **Watchdog Timer Lock (WDTLOCK)** register is written, which prevents the timer configuration from being inadvertently altered by software.

If the timer counts down to its zero state again before the first time-out interrupt is cleared, and the reset signal has been enabled (via the `WatchdogResetEnable` function), the Watchdog timer asserts its reset signal to the system. If the interrupt is cleared before the 32-bit counter reaches its second time-out, the 32-bit counter is loaded with the value in the **WDTLOAD** register, and counting resumes from that value.

If **WDTLOAD** is written with a new value while the Watchdog Timer counter is counting, then the counter is loaded with the new value and continues counting.



Writing to **WDTLOAD** does not clear an active interrupt. An interrupt must be specifically cleared by writing to the **Watchdog Interrupt Clear (WDTICR)** register.

The Watchdog module interrupt and reset generation can be enabled or disabled as required. When the interrupt is re-enabled, the 32-bit counter is preloaded with the load register value and not its last state.

## 11.3 Initialization and Configuration

To use the WDT, its peripheral clock must be enabled by setting the **WDT** bit in the **RCGC0** register. The Watchdog Timer is configured using the following sequence:

1. Load the **WDTLOAD** register with the desired timer load value.
2. If the Watchdog is configured to trigger system resets, set the **RESEN** bit in the **WDTCTL** register.
3. Set the **INTEN** bit in the **WDTCTL** register to enable the Watchdog and lock the control register.

If software requires that all of the watchdog registers are locked, the Watchdog Timer module can be fully locked by writing any value to the **WDTLOCK** register. To unlock the Watchdog Timer, write a value of 0x1ACC.E551.

## 11.4 Register Map

Table 11-1 on page 249 lists the Watchdog registers. The offset listed is a hexadecimal increment to the register's address, relative to the Watchdog Timer base address of 0x4000.0000.

**Table 11-1. Watchdog Timer Register Map**

| Offset | Name         | Type | Reset       | Description                          | See page |
|--------|--------------|------|-------------|--------------------------------------|----------|
| 0x000  | WDTLOAD      | R/W  | 0xFFFF.FFFF | Watchdog Load                        | 251      |
| 0x004  | WDTVALUE     | RO   | 0xFFFF.FFFF | Watchdog Value                       | 252      |
| 0x008  | WDTCTL       | R/W  | 0x0000.0000 | Watchdog Control                     | 253      |
| 0x00C  | WDTICR       | WO   | -           | Watchdog Interrupt Clear             | 254      |
| 0x010  | WDTRIS       | RO   | 0x0000.0000 | Watchdog Raw Interrupt Status        | 255      |
| 0x014  | WDTMIS       | RO   | 0x0000.0000 | Watchdog Masked Interrupt Status     | 256      |
| 0x418  | WDTTEST      | R/W  | 0x0000.0000 | Watchdog Test                        | 257      |
| 0xC00  | WDTLOCK      | R/W  | 0x0000.0000 | Watchdog Lock                        | 258      |
| 0xFD0  | WDTPeriphID4 | RO   | 0x0000.0000 | Watchdog Peripheral Identification 4 | 259      |
| 0xFD4  | WDTPeriphID5 | RO   | 0x0000.0000 | Watchdog Peripheral Identification 5 | 260      |
| 0xFD8  | WDTPeriphID6 | RO   | 0x0000.0000 | Watchdog Peripheral Identification 6 | 261      |
| 0xFDC  | WDTPeriphID7 | RO   | 0x0000.0000 | Watchdog Peripheral Identification 7 | 262      |
| 0xFE0  | WDTPeriphID0 | RO   | 0x0000.0005 | Watchdog Peripheral Identification 0 | 263      |
| 0xFE4  | WDTPeriphID1 | RO   | 0x0000.0018 | Watchdog Peripheral Identification 1 | 264      |
| 0xFE8  | WDTPeriphID2 | RO   | 0x0000.0018 | Watchdog Peripheral Identification 2 | 265      |

**Table 11-1. Watchdog Timer Register Map (continued)**

| Offset | Name         | Type | Reset       | Description                          | See page |
|--------|--------------|------|-------------|--------------------------------------|----------|
| 0xFEC  | WDTPeriphID3 | RO   | 0x0000.0001 | Watchdog Peripheral Identification 3 | 266      |
| 0xFF0  | WDTPCellID0  | RO   | 0x0000.000D | Watchdog PrimeCell Identification 0  | 267      |
| 0xFF4  | WDTPCellID1  | RO   | 0x0000.00F0 | Watchdog PrimeCell Identification 1  | 268      |
| 0xFF8  | WDTPCellID2  | RO   | 0x0000.0005 | Watchdog PrimeCell Identification 2  | 269      |
| 0xFFC  | WDTPCellID3  | RO   | 0x0000.00B1 | Watchdog PrimeCell Identification 3  | 270      |

## 11.5 Register Descriptions

The remainder of this section lists and describes the WDT registers, in numerical order by address offset.

**Register 1: Watchdog Load (WDTLOAD), offset 0x000**

This register is the 32-bit interval value used by the 32-bit counter. When this register is written, the value is immediately loaded and the counter restarts counting down from the new value. If the **WDTLOAD** register is loaded with 0x0000.0000, an interrupt is immediately generated.

**Watchdog Load (WDTLOAD)**

Base 0x4000.0000

Offset 0x000

Type R/W, reset 0xFFFF.FFFF

|       | 31      | 30  | 29  | 28  | 27  | 26  | 25  | 24  | 23  | 22  | 21  | 20  | 19  | 18  | 17  | 16  |
|-------|---------|-----|-----|-----|-----|-----|-----|-----|-----|-----|-----|-----|-----|-----|-----|-----|
|       | WDTLoad |     |     |     |     |     |     |     |     |     |     |     |     |     |     |     |
| Type  | R/W     | R/W | R/W | R/W | R/W | R/W | R/W | R/W | R/W | R/W | R/W | R/W | R/W | R/W | R/W | R/W |
| Reset | 1       | 1   | 1   | 1   | 1   | 1   | 1   | 1   | 1   | 1   | 1   | 1   | 1   | 1   | 1   | 1   |
|       | 15      | 14  | 13  | 12  | 11  | 10  | 9   | 8   | 7   | 6   | 5   | 4   | 3   | 2   | 1   | 0   |
|       | WDTLoad |     |     |     |     |     |     |     |     |     |     |     |     |     |     |     |
| Type  | R/W     | R/W | R/W | R/W | R/W | R/W | R/W | R/W | R/W | R/W | R/W | R/W | R/W | R/W | R/W | R/W |
| Reset | 1       | 1   | 1   | 1   | 1   | 1   | 1   | 1   | 1   | 1   | 1   | 1   | 1   | 1   | 1   | 1   |

| Bit/Field | Name    | Type | Reset       | Description         |
|-----------|---------|------|-------------|---------------------|
| 31:0      | WDTLoad | R/W  | 0xFFFF.FFFF | Watchdog Load Value |

## Register 2: Watchdog Value (WDTVALUE), offset 0x004

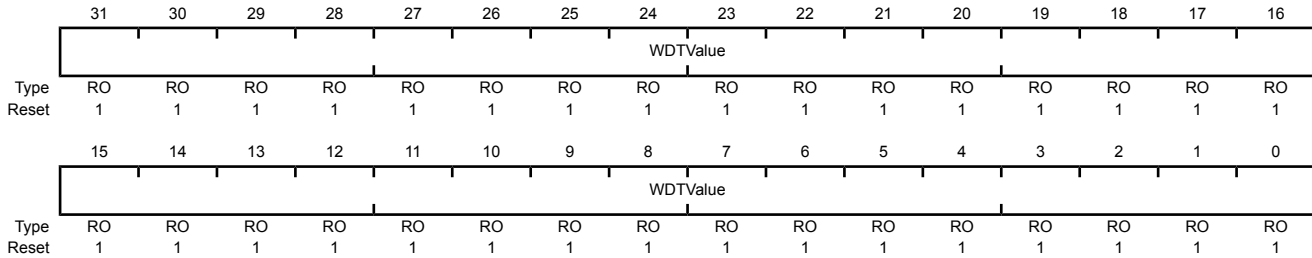
This register contains the current count value of the timer.

### Watchdog Value (WDTVALUE)

Base 0x4000.0000

Offset 0x004

Type RO, reset 0xFFFF.FFFF



| Bit/Field | Name     | Type | Reset       | Description   |
|-----------|----------|------|-------------|---|
| 31:0      | WDTValue | RO   | 0xFFFF.FFFF | Watchdog Value<br>Current value of the 32-bit down counter. |

**Register 3: Watchdog Control (WDTCTL), offset 0x008**

This register is the watchdog control register. The watchdog timer can be configured to generate a reset signal (on second time-out) or an interrupt on time-out.

When the watchdog interrupt has been enabled, all subsequent writes to the control register are ignored. The only mechanism that can re-enable writes is a hardware reset.

**Watchdog Control (WDTCTL)**

Base 0x4000.0000  
Offset 0x008  
Type R/W, reset 0x0000.0000

|       |          |    |    |    |    |    |    |    |    |    |    |    |    |    |       |       |     |
|-------|----------|----|----|----|----|----|----|----|----|----|----|----|----|----|-------|-------|-----|
|       | 31       | 30 | 29 | 28 | 27 | 26 | 25 | 24 | 23 | 22 | 21 | 20 | 19 | 18 | 17    | 16    |     |
|       | reserved |    |    |    |    |    |    |    |    |    |    |    |    |    |       |       |     |
| Type  | RO       | RO | RO | RO | RO | RO | RO | RO | RO | RO | RO | RO | RO | RO | RO    | RO    |     |
| Reset | 0        | 0  | 0  | 0  | 0  | 0  | 0  | 0  | 0  | 0  | 0  | 0  | 0  | 0  | 0     | 0     |     |
|       | 15       | 14 | 13 | 12 | 11 | 10 | 9  | 8  | 7  | 6  | 5  | 4  | 3  | 2  | 1     | 0     |     |
|       | reserved |    |    |    |    |    |    |    |    |    |    |    |    |    | RESEN | INTEN |     |
| Type  | RO       | RO | RO | RO | RO | RO | RO | RO | RO | RO | RO | RO | RO | RO | RO    | R/W   | R/W |
| Reset | 0        | 0  | 0  | 0  | 0  | 0  | 0  | 0  | 0  | 0  | 0  | 0  | 0  | 0  | 0     | 0     | 0   |

| Bit/Field | Name   | Type | Reset | Description   |       |             |   |  |   |  |
|-----------|--|------|-------|---|-------|-------------|---|--|---|--|
| 31:2      | reserved   | RO   | 0x00  | Software should not rely on the value of a reserved bit. To provide compatibility with future products, the value of a reserved bit should be preserved across a read-modify-write operation.   |       |             |   |  |   |  |
| 1         | RESEN  | R/W  | 0     | Watchdog Reset Enable<br><br>The RESEN values are defined as follows:<br><br><table border="1"> <thead> <tr> <th>Value</th> <th>Description</th> </tr> </thead> <tbody> <tr> <td>0</td> <td>Disabled.</td> </tr> <tr> <td>1</td> <td>Enable the Watchdog module reset output.</td> </tr> </tbody> </table>  | Value | Description | 0 | Disabled.  | 1 | Enable the Watchdog module reset output.                       |
| Value     | Description  |      |       |   |       |             |   |  |   |  |
| 0         | Disabled.  |      |       |   |       |             |   |  |   |  |
| 1         | Enable the Watchdog module reset output.   |      |       |   |       |             |   |  |   |  |
| 0         | INTEN  | R/W  | 0     | Watchdog Interrupt Enable<br><br>The INTEN values are defined as follows:<br><br><table border="1"> <thead> <tr> <th>Value</th> <th>Description</th> </tr> </thead> <tbody> <tr> <td>0</td> <td>Interrupt event disabled (once this bit is set, it can only be cleared by a hardware reset).</td> </tr> <tr> <td>1</td> <td>Interrupt event enabled. Once enabled, all writes are ignored.</td> </tr> </tbody> </table> | Value | Description | 0 | Interrupt event disabled (once this bit is set, it can only be cleared by a hardware reset). | 1 | Interrupt event enabled. Once enabled, all writes are ignored. |
| Value     | Description  |      |       |   |       |             |   |  |   |  |
| 0         | Interrupt event disabled (once this bit is set, it can only be cleared by a hardware reset). |      |       |   |       |             |   |  |   |  |
| 1         | Interrupt event enabled. Once enabled, all writes are ignored.                               |      |       |   |       |             |   |  |   |  |

### Register 4: Watchdog Interrupt Clear (WDTICR), offset 0x00C

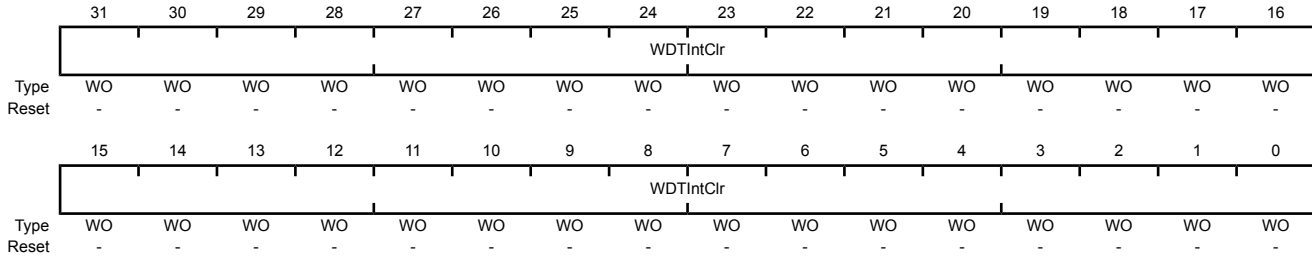
This register is the interrupt clear register. A write of any value to this register clears the Watchdog interrupt and reloads the 32-bit counter from the **WDTLOAD** register. Value for a read or reset is indeterminate.

#### Watchdog Interrupt Clear (WDTICR)

Base 0x4000.0000

Offset 0x00C

Type WO, reset -



| Bit/Field | Name      | Type | Reset | Description              |
|-----------|-----------|------|-------|--------------------------|
| 31:0      | WDTIntClr | WO   | -     | Watchdog Interrupt Clear |

**Register 5: Watchdog Raw Interrupt Status (WDTRIS), offset 0x010**

This register is the raw interrupt status register. Watchdog interrupt events can be monitored via this register if the controller interrupt is masked.

**Watchdog Raw Interrupt Status (WDTRIS)**

Base 0x4000.0000

Offset 0x010

Type RO, reset 0x0000.0000

|       |          |    |    |    |    |    |    |    |    |    |    |    |    |    |    |        |
|-------|----------|----|----|----|----|----|----|----|----|----|----|----|----|----|----|--------|
|       | 31       | 30 | 29 | 28 | 27 | 26 | 25 | 24 | 23 | 22 | 21 | 20 | 19 | 18 | 17 | 16     |
|       | reserved |    |    |    |    |    |    |    |    |    |    |    |    |    |    |        |
| Type  | RO       | RO | RO | RO | RO | RO | RO | RO | RO | RO | RO | RO | RO | RO | RO | RO     |
| Reset | 0        | 0  | 0  | 0  | 0  | 0  | 0  | 0  | 0  | 0  | 0  | 0  | 0  | 0  | 0  | 0      |
|       | 15       | 14 | 13 | 12 | 11 | 10 | 9  | 8  | 7  | 6  | 5  | 4  | 3  | 2  | 1  | 0      |
|       | reserved |    |    |    |    |    |    |    |    |    |    |    |    |    |    | WDTRIS |
| Type  | RO       | RO | RO | RO | RO | RO | RO | RO | RO | RO | RO | RO | RO | RO | RO | RO     |
| Reset | 0        | 0  | 0  | 0  | 0  | 0  | 0  | 0  | 0  | 0  | 0  | 0  | 0  | 0  | 0  | 0      |

| Bit/Field | Name     | Type | Reset | Description   |
|-----------|----------|------|-------|---|
| 31:1      | reserved | RO   | 0x00  | Software should not rely on the value of a reserved bit. To provide compatibility with future products, the value of a reserved bit should be preserved across a read-modify-write operation. |
| 0         | WDTRIS   | RO   | 0     | Watchdog Raw Interrupt Status<br>Gives the raw interrupt state (prior to masking) of <b>WDTINTR</b> .   |

### Register 6: Watchdog Masked Interrupt Status (WDTMIS), offset 0x014

This register is the masked interrupt status register. The value of this register is the logical AND of the raw interrupt bit and the Watchdog interrupt enable bit.

#### Watchdog Masked Interrupt Status (WDTMIS)

Base 0x4000.0000  
 Offset 0x014  
 Type RO, reset 0x0000.0000

|       |          |    |    |    |    |    |    |    |    |    |    |    |    |    |    |        |
|-------|----------|----|----|----|----|----|----|----|----|----|----|----|----|----|----|--------|
|       | 31       | 30 | 29 | 28 | 27 | 26 | 25 | 24 | 23 | 22 | 21 | 20 | 19 | 18 | 17 | 16     |
|       | reserved |    |    |    |    |    |    |    |    |    |    |    |    |    |    |        |
| Type  | RO       | RO | RO | RO | RO | RO | RO | RO | RO | RO | RO | RO | RO | RO | RO | RO     |
| Reset | 0        | 0  | 0  | 0  | 0  | 0  | 0  | 0  | 0  | 0  | 0  | 0  | 0  | 0  | 0  | 0      |
|       | 15       | 14 | 13 | 12 | 11 | 10 | 9  | 8  | 7  | 6  | 5  | 4  | 3  | 2  | 1  | 0      |
|       | reserved |    |    |    |    |    |    |    |    |    |    |    |    |    |    | WDTMIS |
| Type  | RO       | RO | RO | RO | RO | RO | RO | RO | RO | RO | RO | RO | RO | RO | RO | RO     |
| Reset | 0        | 0  | 0  | 0  | 0  | 0  | 0  | 0  | 0  | 0  | 0  | 0  | 0  | 0  | 0  | 0      |

| Bit/Field | Name     | Type | Reset | Description   |
|-----------|----------|------|-------|---|
| 31:1      | reserved | RO   | 0x00  | Software should not rely on the value of a reserved bit. To provide compatibility with future products, the value of a reserved bit should be preserved across a read-modify-write operation. |
| 0         | WDTMIS   | RO   | 0     | Watchdog Masked Interrupt Status<br><br>Gives the masked interrupt state (after masking) of the <b>WDTINTR</b> interrupt.   |



**Register 7: Watchdog Test (WDTTEST), offset 0x418**

This register provides user-enabled stalling when the microcontroller asserts the CPU halt flag during debug.

**Watchdog Test (WDTTEST)**

Base 0x4000.0000  
Offset 0x418  
Type R/W, reset 0x0000.0000

|       |          |    |    |    |    |    |    |       |          |    |    |    |    |    |    |    |
|-------|----------|----|----|----|----|----|----|-------|----------|----|----|----|----|----|----|----|
|       | 31       | 30 | 29 | 28 | 27 | 26 | 25 | 24    | 23       | 22 | 21 | 20 | 19 | 18 | 17 | 16 |
|       | reserved |    |    |    |    |    |    |       |          |    |    |    |    |    |    |    |
| Type  | RO       | RO | RO | RO | RO | RO | RO | RO    | RO       | RO | RO | RO | RO | RO | RO | RO |
| Reset | 0        | 0  | 0  | 0  | 0  | 0  | 0  | 0     | 0        | 0  | 0  | 0  | 0  | 0  | 0  | 0  |
|       | 15       | 14 | 13 | 12 | 11 | 10 | 9  | 8     | 7        | 6  | 5  | 4  | 3  | 2  | 1  | 0  |
|       | reserved |    |    |    |    |    |    | STALL | reserved |    |    |    |    |    |    |    |
| Type  | RO       | RO | RO | RO | RO | RO | RO | R/W   | RO       | RO | RO | RO | RO | RO | RO | RO |
| Reset | 0        | 0  | 0  | 0  | 0  | 0  | 0  | 0     | 0        | 0  | 0  | 0  | 0  | 0  | 0  | 0  |

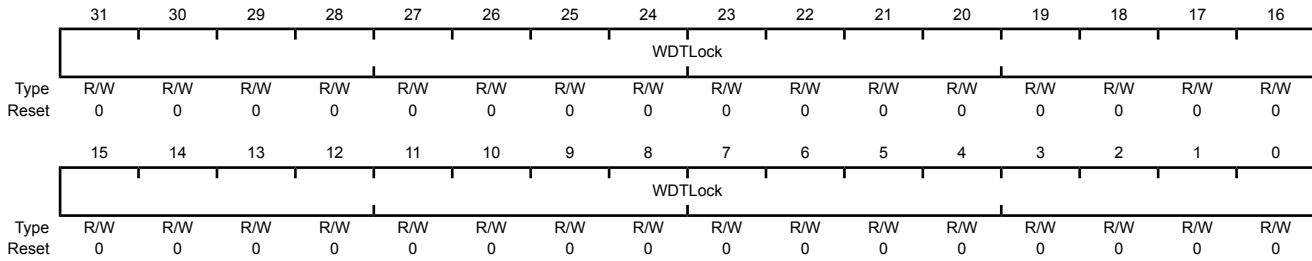
| Bit/Field | Name     | Type | Reset | Description  |
|-----------|----------|------|-------|--|
| 31:9      | reserved | RO   | 0x00  | Software should not rely on the value of a reserved bit. To provide compatibility with future products, the value of a reserved bit should be preserved across a read-modify-write operation.                            |
| 8         | STALL    | R/W  | 0     | Watchdog Stall Enable<br><br>When set to 1, if the Stellaris® microcontroller is stopped with a debugger, the watchdog timer stops counting. Once the microcontroller is restarted, the watchdog timer resumes counting. |
| 7:0       | reserved | RO   | 0x00  | Software should not rely on the value of a reserved bit. To provide compatibility with future products, the value of a reserved bit should be preserved across a read-modify-write operation.                            |

### Register 8: Watchdog Lock (WDTLOCK), offset 0xC00

Writing 0x1ACC.E551 to the **WDTLOCK** register enables write access to all other registers. Writing any other value to the **WDTLOCK** register re-enables the locked state for register writes to all the other registers. Reading the **WDTLOCK** register returns the lock status rather than the 32-bit value written. Therefore, when write accesses are disabled, reading the **WDTLOCK** register returns 0x0000.0001 (when locked; otherwise, the returned value is 0x0000.0000 (unlocked)).

#### Watchdog Lock (WDTLOCK)

Base 0x4000.0000  
 Offset 0xC00  
 Type R/W, reset 0x0000.0000



| Bit/Field | Name | Type | Reset | Description |
|-----------|------|------|-------|-------------|
|-----------|------|------|-------|-------------|

|      |         |     |        |               |
|------|---------|-----|--------|---------------|
| 31:0 | WDTLock | R/W | 0x0000 | Watchdog Lock |
|------|---------|-----|--------|---------------|

A write of the value 0x1ACC.E551 unlocks the watchdog registers for write access. A write of any other value reapplies the lock, preventing any register updates.

A read of this register returns the following values:

| Value       | Description |
|-------------|-------------|
| 0x0000.0001 | Locked      |
| 0x0000.0000 | Unlocked    |

**Register 9: Watchdog Peripheral Identification 4 (WDTPeriphID4), offset 0xFD0**

The **WDTPeriphIDn** registers are hard-coded and the fields within the register determine the reset value.

## Watchdog Peripheral Identification 4 (WDTPeriphID4)

Base 0x4000.0000

Offset 0xFD0

Type RO, reset 0x0000.0000

|       |          |    |    |    |    |    |    |    |      |    |    |    |    |    |    |    |
|-------|----------|----|----|----|----|----|----|----|------|----|----|----|----|----|----|----|
|       | 31       | 30 | 29 | 28 | 27 | 26 | 25 | 24 | 23   | 22 | 21 | 20 | 19 | 18 | 17 | 16 |
|       | reserved |    |    |    |    |    |    |    |      |    |    |    |    |    |    |    |
| Type  | RO       | RO | RO | RO | RO | RO | RO | RO | RO   | RO | RO | RO | RO | RO | RO | RO |
| Reset | 0        | 0  | 0  | 0  | 0  | 0  | 0  | 0  | 0    | 0  | 0  | 0  | 0  | 0  | 0  | 0  |
|       | 15       | 14 | 13 | 12 | 11 | 10 | 9  | 8  | 7    | 6  | 5  | 4  | 3  | 2  | 1  | 0  |
|       | reserved |    |    |    |    |    |    |    | PID4 |    |    |    |    |    |    |    |
| Type  | RO       | RO | RO | RO | RO | RO | RO | RO | RO   | RO | RO | RO | RO | RO | RO | RO |
| Reset | 0        | 0  | 0  | 0  | 0  | 0  | 0  | 0  | 0    | 0  | 0  | 0  | 0  | 0  | 0  | 0  |

| Bit/Field | Name     | Type | Reset | Description   |
|-----------|----------|------|-------|---|
| 31:8      | reserved | RO   | 0x00  | Software should not rely on the value of a reserved bit. To provide compatibility with future products, the value of a reserved bit should be preserved across a read-modify-write operation. |
| 7:0       | PID4     | RO   | 0x00  | WDT Peripheral ID Register[7:0]   |

### Register 10: Watchdog Peripheral Identification 5 (WDTPeriphID5), offset 0xFD4

The **WDTPeriphIDn** registers are hard-coded and the fields within the register determine the reset value.

#### Watchdog Peripheral Identification 5 (WDTPeriphID5)

Base 0x4000.0000  
 Offset 0xFD4  
 Type RO, reset 0x0000.0000

|       |          |    |    |    |    |    |    |    |      |    |    |    |    |    |    |    |
|-------|----------|----|----|----|----|----|----|----|------|----|----|----|----|----|----|----|
|       | 31       | 30 | 29 | 28 | 27 | 26 | 25 | 24 | 23   | 22 | 21 | 20 | 19 | 18 | 17 | 16 |
|       | reserved |    |    |    |    |    |    |    |      |    |    |    |    |    |    |    |
| Type  | RO       | RO | RO | RO | RO | RO | RO | RO | RO   | RO | RO | RO | RO | RO | RO | RO |
| Reset | 0        | 0  | 0  | 0  | 0  | 0  | 0  | 0  | 0    | 0  | 0  | 0  | 0  | 0  | 0  | 0  |
|       | 15       | 14 | 13 | 12 | 11 | 10 | 9  | 8  | 7    | 6  | 5  | 4  | 3  | 2  | 1  | 0  |
|       | reserved |    |    |    |    |    |    |    | PID5 |    |    |    |    |    |    |    |
| Type  | RO       | RO | RO | RO | RO | RO | RO | RO | RO   | RO | RO | RO | RO | RO | RO | RO |
| Reset | 0        | 0  | 0  | 0  | 0  | 0  | 0  | 0  | 0    | 0  | 0  | 0  | 0  | 0  | 0  | 0  |

| Bit/Field | Name     | Type | Reset | Description   |
|-----------|----------|------|-------|---|
| 31:8      | reserved | RO   | 0x00  | Software should not rely on the value of a reserved bit. To provide compatibility with future products, the value of a reserved bit should be preserved across a read-modify-write operation. |
| 7:0       | PID5     | RO   | 0x00  | WDT Peripheral ID Register[15:8]  |

## Register 11: Watchdog Peripheral Identification 6 (WDTPeriphID6), offset 0xFD8

The **WDTPeriphIDn** registers are hard-coded and the fields within the register determine the reset value.

### Watchdog Peripheral Identification 6 (WDTPeriphID6)

Base 0x4000.0000

Offset 0xFD8

Type RO, reset 0x0000.0000

|       |          |    |    |    |    |    |    |    |      |    |    |    |    |    |    |    |
|-------|----------|----|----|----|----|----|----|----|------|----|----|----|----|----|----|----|
|       | 31       | 30 | 29 | 28 | 27 | 26 | 25 | 24 | 23   | 22 | 21 | 20 | 19 | 18 | 17 | 16 |
|       | reserved |    |    |    |    |    |    |    |      |    |    |    |    |    |    |    |
| Type  | RO       | RO | RO | RO | RO | RO | RO | RO | RO   | RO | RO | RO | RO | RO | RO | RO |
| Reset | 0        | 0  | 0  | 0  | 0  | 0  | 0  | 0  | 0    | 0  | 0  | 0  | 0  | 0  | 0  | 0  |
|       | 15       | 14 | 13 | 12 | 11 | 10 | 9  | 8  | 7    | 6  | 5  | 4  | 3  | 2  | 1  | 0  |
|       | reserved |    |    |    |    |    |    |    | PID6 |    |    |    |    |    |    |    |
| Type  | RO       | RO | RO | RO | RO | RO | RO | RO | RO   | RO | RO | RO | RO | RO | RO | RO |
| Reset | 0        | 0  | 0  | 0  | 0  | 0  | 0  | 0  | 0    | 0  | 0  | 0  | 0  | 0  | 0  | 0  |

| Bit/Field | Name     | Type | Reset | Description   |
|-----------|----------|------|-------|---|
| 31:8      | reserved | RO   | 0x00  | Software should not rely on the value of a reserved bit. To provide compatibility with future products, the value of a reserved bit should be preserved across a read-modify-write operation. |
| 7:0       | PID6     | RO   | 0x00  | WDT Peripheral ID Register[23:16]   |

## Register 12: Watchdog Peripheral Identification 7 (WDTPeriphID7), offset 0xFDC

The **WDTPeriphIDn** registers are hard-coded and the fields within the register determine the reset value.

### Watchdog Peripheral Identification 7 (WDTPeriphID7)

Base 0x4000.0000  
 Offset 0xFDC  
 Type RO, reset 0x0000.0000

|       |          |    |    |    |    |    |    |    |      |    |    |    |    |    |    |    |
|-------|----------|----|----|----|----|----|----|----|------|----|----|----|----|----|----|----|
|       | 31       | 30 | 29 | 28 | 27 | 26 | 25 | 24 | 23   | 22 | 21 | 20 | 19 | 18 | 17 | 16 |
|       | reserved |    |    |    |    |    |    |    |      |    |    |    |    |    |    |    |
| Type  | RO       | RO | RO | RO | RO | RO | RO | RO | RO   | RO | RO | RO | RO | RO | RO | RO |
| Reset | 0        | 0  | 0  | 0  | 0  | 0  | 0  | 0  | 0    | 0  | 0  | 0  | 0  | 0  | 0  | 0  |
|       | 15       | 14 | 13 | 12 | 11 | 10 | 9  | 8  | 7    | 6  | 5  | 4  | 3  | 2  | 1  | 0  |
|       | reserved |    |    |    |    |    |    |    | PID7 |    |    |    |    |    |    |    |
| Type  | RO       | RO | RO | RO | RO | RO | RO | RO | RO   | RO | RO | RO | RO | RO | RO | RO |
| Reset | 0        | 0  | 0  | 0  | 0  | 0  | 0  | 0  | 0    | 0  | 0  | 0  | 0  | 0  | 0  | 0  |

| Bit/Field | Name     | Type | Reset | Description   |
|-----------|----------|------|-------|---|
| 31:8      | reserved | RO   | 0x00  | Software should not rely on the value of a reserved bit. To provide compatibility with future products, the value of a reserved bit should be preserved across a read-modify-write operation. |
| 7:0       | PID7     | RO   | 0x00  | WDT Peripheral ID Register[31:24]   |

## Register 13: Watchdog Peripheral Identification 0 (WDTPeriphID0), offset 0xFE0

The **WDTPeriphIDn** registers are hard-coded and the fields within the register determine the reset value.

### Watchdog Peripheral Identification 0 (WDTPeriphID0)

Base 0x4000.0000

Offset 0xFE0

Type RO, reset 0x0000.0005

|       |          |    |    |    |    |    |    |    |      |    |    |    |    |    |    |    |
|-------|----------|----|----|----|----|----|----|----|------|----|----|----|----|----|----|----|
|       | 31       | 30 | 29 | 28 | 27 | 26 | 25 | 24 | 23   | 22 | 21 | 20 | 19 | 18 | 17 | 16 |
|       | reserved |    |    |    |    |    |    |    |      |    |    |    |    |    |    |    |
| Type  | RO       | RO | RO | RO | RO | RO | RO | RO | RO   | RO | RO | RO | RO | RO | RO | RO |
| Reset | 0        | 0  | 0  | 0  | 0  | 0  | 0  | 0  | 0    | 0  | 0  | 0  | 0  | 0  | 0  | 0  |
|       | 15       | 14 | 13 | 12 | 11 | 10 | 9  | 8  | 7    | 6  | 5  | 4  | 3  | 2  | 1  | 0  |
|       | reserved |    |    |    |    |    |    |    | PID0 |    |    |    |    |    |    |    |
| Type  | RO       | RO | RO | RO | RO | RO | RO | RO | RO   | RO | RO | RO | RO | RO | RO | RO |
| Reset | 0        | 0  | 0  | 0  | 0  | 0  | 0  | 0  | 0    | 0  | 0  | 0  | 0  | 1  | 0  | 1  |

| Bit/Field | Name     | Type | Reset | Description   |
|-----------|----------|------|-------|---|
| 31:8      | reserved | RO   | 0x00  | Software should not rely on the value of a reserved bit. To provide compatibility with future products, the value of a reserved bit should be preserved across a read-modify-write operation. |
| 7:0       | PID0     | RO   | 0x05  | Watchdog Peripheral ID Register[7:0]  |

## Register 14: Watchdog Peripheral Identification 1 (WDTPeriphID1), offset 0xFE4

The **WDTPeriphIDn** registers are hard-coded and the fields within the register determine the reset value.

### Watchdog Peripheral Identification 1 (WDTPeriphID1)

Base 0x4000.0000  
 Offset 0xFE4  
 Type RO, reset 0x0000.0018

|       |          |    |    |    |    |    |    |    |      |    |    |    |    |    |    |    |
|-------|----------|----|----|----|----|----|----|----|------|----|----|----|----|----|----|----|
|       | 31       | 30 | 29 | 28 | 27 | 26 | 25 | 24 | 23   | 22 | 21 | 20 | 19 | 18 | 17 | 16 |
|       | reserved |    |    |    |    |    |    |    |      |    |    |    |    |    |    |    |
| Type  | RO       | RO | RO | RO | RO | RO | RO | RO | RO   | RO | RO | RO | RO | RO | RO | RO |
| Reset | 0        | 0  | 0  | 0  | 0  | 0  | 0  | 0  | 0    | 0  | 0  | 0  | 0  | 0  | 0  | 0  |
|       | 15       | 14 | 13 | 12 | 11 | 10 | 9  | 8  | 7    | 6  | 5  | 4  | 3  | 2  | 1  | 0  |
|       | reserved |    |    |    |    |    |    |    | PID1 |    |    |    |    |    |    |    |
| Type  | RO       | RO | RO | RO | RO | RO | RO | RO | RO   | RO | RO | RO | RO | RO | RO | RO |
| Reset | 0        | 0  | 0  | 0  | 0  | 0  | 0  | 0  | 0    | 0  | 0  | 1  | 1  | 0  | 0  | 0  |

| Bit/Field | Name     | Type | Reset | Description   |
|-----------|----------|------|-------|---|
| 31:8      | reserved | RO   | 0x00  | Software should not rely on the value of a reserved bit. To provide compatibility with future products, the value of a reserved bit should be preserved across a read-modify-write operation. |
| 7:0       | PID1     | RO   | 0x18  | Watchdog Peripheral ID Register[15:8]   |



## Register 15: Watchdog Peripheral Identification 2 (WDTPeriphID2), offset 0xFE8

The **WDTPeriphIDn** registers are hard-coded and the fields within the register determine the reset value.

### Watchdog Peripheral Identification 2 (WDTPeriphID2)

Base 0x4000.0000

Offset 0xFE8

Type RO, reset 0x0000.0018

|       |          |    |    |    |    |    |    |    |      |    |    |    |    |    |    |    |
|-------|----------|----|----|----|----|----|----|----|------|----|----|----|----|----|----|----|
|       | 31       | 30 | 29 | 28 | 27 | 26 | 25 | 24 | 23   | 22 | 21 | 20 | 19 | 18 | 17 | 16 |
|       | reserved |    |    |    |    |    |    |    |      |    |    |    |    |    |    |    |
| Type  | RO       | RO | RO | RO | RO | RO | RO | RO | RO   | RO | RO | RO | RO | RO | RO | RO |
| Reset | 0        | 0  | 0  | 0  | 0  | 0  | 0  | 0  | 0    | 0  | 0  | 0  | 0  | 0  | 0  | 0  |
|       | 15       | 14 | 13 | 12 | 11 | 10 | 9  | 8  | 7    | 6  | 5  | 4  | 3  | 2  | 1  | 0  |
|       | reserved |    |    |    |    |    |    |    | PID2 |    |    |    |    |    |    |    |
| Type  | RO       | RO | RO | RO | RO | RO | RO | RO | RO   | RO | RO | RO | RO | RO | RO | RO |
| Reset | 0        | 0  | 0  | 0  | 0  | 0  | 0  | 0  | 0    | 0  | 0  | 1  | 1  | 0  | 0  | 0  |

| Bit/Field | Name     | Type | Reset | Description   |
|-----------|----------|------|-------|---|
| 31:8      | reserved | RO   | 0x00  | Software should not rely on the value of a reserved bit. To provide compatibility with future products, the value of a reserved bit should be preserved across a read-modify-write operation. |
| 7:0       | PID2     | RO   | 0x18  | Watchdog Peripheral ID Register[23:16]  |

### Register 16: Watchdog Peripheral Identification 3 (WDTPeriphID3), offset 0xFEC

The **WDTPeriphIDn** registers are hard-coded and the fields within the register determine the reset value.

#### Watchdog Peripheral Identification 3 (WDTPeriphID3)

Base 0x4000.0000  
 Offset 0xFEC  
 Type RO, reset 0x0000.0001

|       |          |    |    |    |    |    |    |    |      |    |    |    |    |    |    |    |
|-------|----------|----|----|----|----|----|----|----|------|----|----|----|----|----|----|----|
|       | 31       | 30 | 29 | 28 | 27 | 26 | 25 | 24 | 23   | 22 | 21 | 20 | 19 | 18 | 17 | 16 |
|       | reserved |    |    |    |    |    |    |    |      |    |    |    |    |    |    |    |
| Type  | RO       | RO | RO | RO | RO | RO | RO | RO | RO   | RO | RO | RO | RO | RO | RO | RO |
| Reset | 0        | 0  | 0  | 0  | 0  | 0  | 0  | 0  | 0    | 0  | 0  | 0  | 0  | 0  | 0  | 0  |
|       | 15       | 14 | 13 | 12 | 11 | 10 | 9  | 8  | 7    | 6  | 5  | 4  | 3  | 2  | 1  | 0  |
|       | reserved |    |    |    |    |    |    |    | PID3 |    |    |    |    |    |    |    |
| Type  | RO       | RO | RO | RO | RO | RO | RO | RO | RO   | RO | RO | RO | RO | RO | RO | RO |
| Reset | 0        | 0  | 0  | 0  | 0  | 0  | 0  | 0  | 0    | 0  | 0  | 0  | 0  | 0  | 0  | 1  |

| Bit/Field | Name     | Type | Reset | Description   |
|-----------|----------|------|-------|---|
| 31:8      | reserved | RO   | 0x00  | Software should not rely on the value of a reserved bit. To provide compatibility with future products, the value of a reserved bit should be preserved across a read-modify-write operation. |
| 7:0       | PID3     | RO   | 0x01  | Watchdog Peripheral ID Register[31:24]  |

**Register 17: Watchdog PrimeCell Identification 0 (WDTPCellID0), offset 0xFF0**

The **WDTPCellIDn** registers are hard-coded and the fields within the register determine the reset value.

## Watchdog PrimeCell Identification 0 (WDTPCellID0)

Base 0x4000.0000

Offset 0xFF0

Type RO, reset 0x0000.000D

|       |          |    |    |    |    |    |    |    |      |    |    |    |    |    |    |    |
|-------|----------|----|----|----|----|----|----|----|------|----|----|----|----|----|----|----|
|       | 31       | 30 | 29 | 28 | 27 | 26 | 25 | 24 | 23   | 22 | 21 | 20 | 19 | 18 | 17 | 16 |
|       | reserved |    |    |    |    |    |    |    |      |    |    |    |    |    |    |    |
| Type  | RO       | RO | RO | RO | RO | RO | RO | RO | RO   | RO | RO | RO | RO | RO | RO | RO |
| Reset | 0        | 0  | 0  | 0  | 0  | 0  | 0  | 0  | 0    | 0  | 0  | 0  | 0  | 0  | 0  | 0  |
|       | 15       | 14 | 13 | 12 | 11 | 10 | 9  | 8  | 7    | 6  | 5  | 4  | 3  | 2  | 1  | 0  |
|       | reserved |    |    |    |    |    |    |    | CID0 |    |    |    |    |    |    |    |
| Type  | RO       | RO | RO | RO | RO | RO | RO | RO | RO   | RO | RO | RO | RO | RO | RO | RO |
| Reset | 0        | 0  | 0  | 0  | 0  | 0  | 0  | 0  | 0    | 0  | 0  | 0  | 1  | 1  | 0  | 1  |

| Bit/Field | Name     | Type | Reset | Description   |
|-----------|----------|------|-------|---|
| 31:8      | reserved | RO   | 0x00  | Software should not rely on the value of a reserved bit. To provide compatibility with future products, the value of a reserved bit should be preserved across a read-modify-write operation. |
| 7:0       | CID0     | RO   | 0x0D  | Watchdog PrimeCell ID Register[7:0]   |

### Register 18: Watchdog PrimeCell Identification 1 (WDTPCellID1), offset 0xFF4

The **WDTPCellIDn** registers are hard-coded and the fields within the register determine the reset value.

#### Watchdog PrimeCell Identification 1 (WDTPCellID1)

Base 0x4000.0000  
 Offset 0xFF4  
 Type RO, reset 0x0000.00F0

|       |          |    |    |    |    |    |    |    |      |    |    |    |    |    |    |    |
|-------|----------|----|----|----|----|----|----|----|------|----|----|----|----|----|----|----|
|       | 31       | 30 | 29 | 28 | 27 | 26 | 25 | 24 | 23   | 22 | 21 | 20 | 19 | 18 | 17 | 16 |
|       | reserved |    |    |    |    |    |    |    |      |    |    |    |    |    |    |    |
| Type  | RO       | RO | RO | RO | RO | RO | RO | RO | RO   | RO | RO | RO | RO | RO | RO | RO |
| Reset | 0        | 0  | 0  | 0  | 0  | 0  | 0  | 0  | 0    | 0  | 0  | 0  | 0  | 0  | 0  | 0  |
|       | 15       | 14 | 13 | 12 | 11 | 10 | 9  | 8  | 7    | 6  | 5  | 4  | 3  | 2  | 1  | 0  |
|       | reserved |    |    |    |    |    |    |    | CID1 |    |    |    |    |    |    |    |
| Type  | RO       | RO | RO | RO | RO | RO | RO | RO | RO   | RO | RO | RO | RO | RO | RO | RO |
| Reset | 0        | 0  | 0  | 0  | 0  | 0  | 0  | 0  | 1    | 1  | 1  | 1  | 0  | 0  | 0  | 0  |

| Bit/Field | Name     | Type | Reset | Description   |
|-----------|----------|------|-------|---|
| 31:8      | reserved | RO   | 0x00  | Software should not rely on the value of a reserved bit. To provide compatibility with future products, the value of a reserved bit should be preserved across a read-modify-write operation. |
| 7:0       | CID1     | RO   | 0xF0  | Watchdog PrimeCell ID Register[15:8]  |

**Register 19: Watchdog PrimeCell Identification 2 (WDTPCellID2), offset 0xFF8**

The **WDTPCellIDn** registers are hard-coded and the fields within the register determine the reset value.

## Watchdog PrimeCell Identification 2 (WDTPCellID2)

Base 0x4000.0000

Offset 0xFF8

Type RO, reset 0x0000.0005

|       |          |    |    |    |    |    |    |    |      |    |    |    |    |    |    |    |
|-------|----------|----|----|----|----|----|----|----|------|----|----|----|----|----|----|----|
|       | 31       | 30 | 29 | 28 | 27 | 26 | 25 | 24 | 23   | 22 | 21 | 20 | 19 | 18 | 17 | 16 |
|       | reserved |    |    |    |    |    |    |    |      |    |    |    |    |    |    |    |
| Type  | RO       | RO | RO | RO | RO | RO | RO | RO | RO   | RO | RO | RO | RO | RO | RO | RO |
| Reset | 0        | 0  | 0  | 0  | 0  | 0  | 0  | 0  | 0    | 0  | 0  | 0  | 0  | 0  | 0  | 0  |
|       | 15       | 14 | 13 | 12 | 11 | 10 | 9  | 8  | 7    | 6  | 5  | 4  | 3  | 2  | 1  | 0  |
|       | reserved |    |    |    |    |    |    |    | CID2 |    |    |    |    |    |    |    |
| Type  | RO       | RO | RO | RO | RO | RO | RO | RO | RO   | RO | RO | RO | RO | RO | RO | RO |
| Reset | 0        | 0  | 0  | 0  | 0  | 0  | 0  | 0  | 0    | 0  | 0  | 0  | 0  | 1  | 0  | 1  |

| Bit/Field | Name     | Type | Reset | Description   |
|-----------|----------|------|-------|---|
| 31:8      | reserved | RO   | 0x00  | Software should not rely on the value of a reserved bit. To provide compatibility with future products, the value of a reserved bit should be preserved across a read-modify-write operation. |
| 7:0       | CID2     | RO   | 0x05  | Watchdog PrimeCell ID Register[23:16]   |

### Register 20: Watchdog PrimeCell Identification 3 (WDTPCellID3), offset 0xFFC

The **WDTPCellIDn** registers are hard-coded and the fields within the register determine the reset value.

#### Watchdog PrimeCell Identification 3 (WDTPCellID3)

Base 0x4000.0000  
 Offset 0xFFC  
 Type RO, reset 0x0000.00B1

|       |          |    |    |    |    |    |    |    |      |    |    |    |    |    |    |    |
|-------|----------|----|----|----|----|----|----|----|------|----|----|----|----|----|----|----|
|       | 31       | 30 | 29 | 28 | 27 | 26 | 25 | 24 | 23   | 22 | 21 | 20 | 19 | 18 | 17 | 16 |
|       | reserved |    |    |    |    |    |    |    |      |    |    |    |    |    |    |    |
| Type  | RO       | RO | RO | RO | RO | RO | RO | RO | RO   | RO | RO | RO | RO | RO | RO | RO |
| Reset | 0        | 0  | 0  | 0  | 0  | 0  | 0  | 0  | 0    | 0  | 0  | 0  | 0  | 0  | 0  | 0  |
|       | 15       | 14 | 13 | 12 | 11 | 10 | 9  | 8  | 7    | 6  | 5  | 4  | 3  | 2  | 1  | 0  |
|       | reserved |    |    |    |    |    |    |    | CID3 |    |    |    |    |    |    |    |
| Type  | RO       | RO | RO | RO | RO | RO | RO | RO | RO   | RO | RO | RO | RO | RO | RO | RO |
| Reset | 0        | 0  | 0  | 0  | 0  | 0  | 0  | 0  | 1    | 0  | 1  | 1  | 0  | 0  | 0  | 1  |

| Bit/Field | Name     | Type | Reset | Description   |
|-----------|----------|------|-------|---|
| 31:8      | reserved | RO   | 0x00  | Software should not rely on the value of a reserved bit. To provide compatibility with future products, the value of a reserved bit should be preserved across a read-modify-write operation. |
| 7:0       | CID3     | RO   | 0xB1  | Watchdog PrimeCell ID Register[31:24]   |

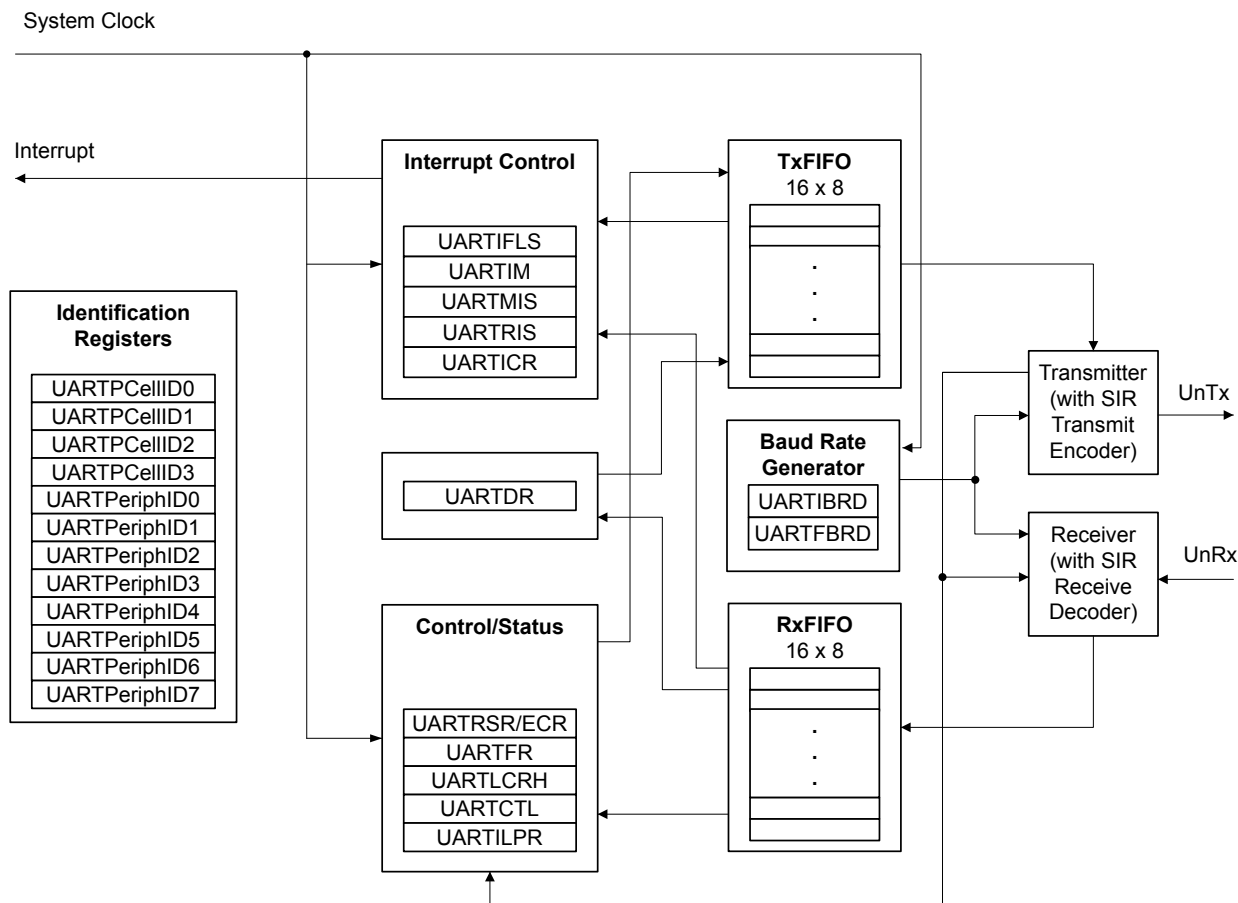
## 12 Universal Asynchronous Receivers/Transmitters (UARTs)

Each Stellaris® Universal Asynchronous Receiver/Transmitter (UART) has the following features:

- Three fully programmable 16C550-type UARTs with IrDA support
- Separate 16x8 transmit (TX) and receive (RX) FIFOs to reduce CPU interrupt service loading
- Programmable baud-rate generator allowing speeds up to 3.125 Mbps
- Programmable FIFO length, including 1-byte deep operation providing conventional double-buffered interface
- FIFO trigger levels of 1/8, 1/4, 1/2, 3/4, and 7/8
- Standard asynchronous communication bits for start, stop, and parity
- False-start bit detection
- Line-break generation and detection
- Fully programmable serial interface characteristics
  - 5, 6, 7, or 8 data bits
  - Even, odd, stick, or no-parity bit generation/detection
  - 1 or 2 stop bit generation
- IrDA serial-IR (SIR) encoder/decoder providing
  - Programmable use of IrDA Serial Infrared (SIR) or UART input/output
  - Support of IrDA SIR encoder/decoder functions for data rates up to 115.2 Kbps half-duplex
  - Support of normal 3/16 and low-power (1.41-2.23  $\mu$ s) bit durations
  - Programmable internal clock generator enabling division of reference clock by 1 to 256 for low-power mode bit duration

## 12.1 Block Diagram

Figure 12-1. UART Module Block Diagram



## 12.2 Functional Description

Each Stellaris<sup>®</sup> UART performs the functions of parallel-to-serial and serial-to-parallel conversions. It is similar in functionality to a 16C550 UART, but is not register compatible.

The UART is configured for transmit and/or receive via the `TXE` and `RXE` bits of the **UART Control (UARTCTL)** register (see page 290). Transmit and receive are both enabled out of reset. Before any control registers are programmed, the UART must be disabled by clearing the `UARTEN` bit in **UARTCTL**. If the UART is disabled during a TX or RX operation, the current transaction is completed prior to the UART stopping.

The UART peripheral also includes a serial IR (SIR) encoder/decoder block that can be connected to an infrared transceiver to implement an IrDA SIR physical layer. The SIR function is programmed using the `UARTCTL` register.

### 12.2.1 Transmit/Receive Logic

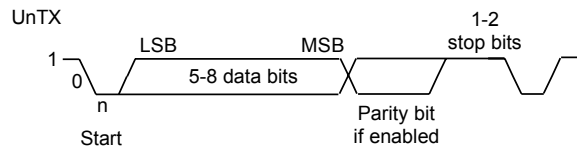
The transmit logic performs parallel-to-serial conversion on the data read from the transmit FIFO. The control logic outputs the serial bit stream beginning with a start bit, and followed by the data



bits (LSB first), parity bit, and the stop bits according to the programmed configuration in the control registers. See Figure 12-2 on page 273 for details.

The receive logic performs serial-to-parallel conversion on the received bit stream after a valid start pulse has been detected. Overrun, parity, frame error checking, and line-break detection are also performed, and their status accompanies the data that is written to the receive FIFO.

**Figure 12-2. UART Character Frame**



## 12.2.2 Baud-Rate Generation

The baud-rate divisor is a 22-bit number consisting of a 16-bit integer and a 6-bit fractional part. The number formed by these two values is used by the baud-rate generator to determine the bit period. Having a fractional baud-rate divider allows the UART to generate all the standard baud rates.

The 16-bit integer is loaded through the **UART Integer Baud-Rate Divisor (UARTIBRD)** register (see page 286) and the 6-bit fractional part is loaded with the **UART Fractional Baud-Rate Divisor (UARTFBRD)** register (see page 287). The baud-rate divisor (BRD) has the following relationship to the system clock (where *BRDI* is the integer part of the BRD and *BRDF* is the fractional part, separated by a decimal place.)

$$BRD = BRDI + BRDF = \text{UARTSysClk} / (16 * \text{Baud Rate})$$

where *UARTSysClk* is the system clock connected to the UART.

The 6-bit fractional number (that is to be loaded into the *DIVFRAC* bit field in the **UARTFBRD** register) can be calculated by taking the fractional part of the baud-rate divisor, multiplying it by 64, and adding 0.5 to account for rounding errors:

$$\text{UARTFBRD}[\text{DIVFRAC}] = \text{integer}(\text{BRDF} * 64 + 0.5)$$

The UART generates an internal baud-rate reference clock at 16x the baud-rate (referred to as *Baud16*). This reference clock is divided by 16 to generate the transmit clock, and is used for error detection during receive operations.

Along with the **UART Line Control, High Byte (UARTLCRH)** register (see page 288), the **UARTIBRD** and **UARTFBRD** registers form an internal 30-bit register. This internal register is only updated when a write operation to **UARTLCRH** is performed, so any changes to the baud-rate divisor must be followed by a write to the **UARTLCRH** register for the changes to take effect.

To update the baud-rate registers, there are four possible sequences:

- **UARTIBRD** write, **UARTFBRD** write, and **UARTLCRH** write
- **UARTFBRD** write, **UARTIBRD** write, and **UARTLCRH** write
- **UARTIBRD** write and **UARTLCRH** write
- **UARTFBRD** write and **UARTLCRH** write

### 12.2.3 Data Transmission

Data received or transmitted is stored in two 16-byte FIFOs, though the receive FIFO has an extra four bits per character for status information. For transmission, data is written into the transmit FIFO. If the UART is enabled, it causes a data frame to start transmitting with the parameters indicated in the **UARTLCRH** register. Data continues to be transmitted until there is no data left in the transmit FIFO. The **BUSY** bit in the **UART Flag (UARTFR)** register (see page 283) is asserted as soon as data is written to the transmit FIFO (that is, if the FIFO is non-empty) and remains asserted while data is being transmitted. The **BUSY** bit is negated only when the transmit FIFO is empty, and the last character has been transmitted from the shift register, including the stop bits. The UART can indicate that it is busy even though the UART may no longer be enabled.

When the receiver is idle (the **UnRx** is continuously 1) and the data input goes Low (a start bit has been received), the receive counter begins running and data is sampled on the eighth cycle of **Baud16** (described in “Transmit/Receive Logic” on page 272).

The start bit is valid if **UnRx** is still low on the eighth cycle of **Baud16**, otherwise a false start bit is detected and it is ignored. Start bit errors can be viewed in the **UART Receive Status (UARTSR)** register (see page 281). If the start bit was valid, successive data bits are sampled on every 16th cycle of **Baud16** (that is, one bit period later) according to the programmed length of the data characters. The parity bit is then checked if parity mode was enabled. Data length and parity are defined in the **UARTLCRH** register.

Lastly, a valid stop bit is confirmed if **UnRx** is High, otherwise a framing error has occurred. When a full word is received, the data is stored in the receive FIFO, with any error bits associated with that word.

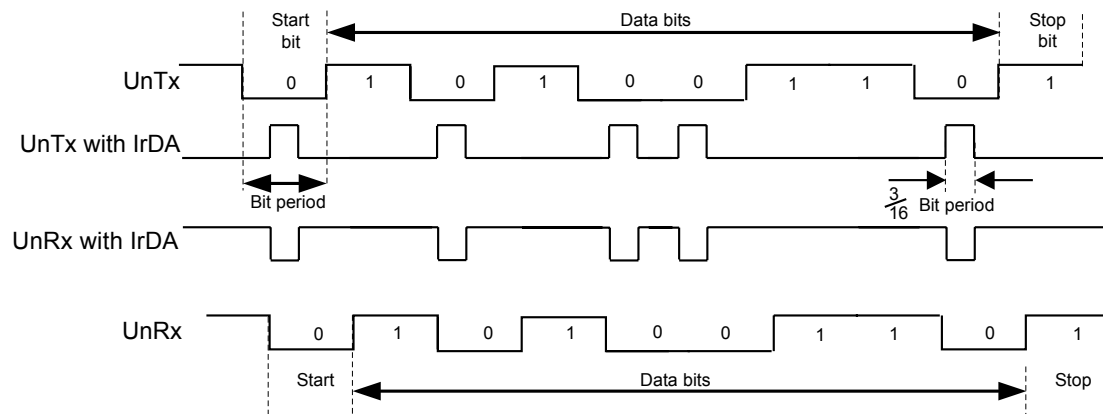
### 12.2.4 Serial IR (SIR)

The UART peripheral includes an IrDA serial-IR (SIR) encoder/decoder block. The IrDA SIR block provides functionality that converts between an asynchronous UART data stream, and half-duplex serial SIR interface. No analog processing is performed on-chip. The role of the SIR block is to provide a digital encoded output and decoded input to the UART. The UART signal pins can be connected to an infrared transceiver to implement an IrDA SIR physical layer link. The SIR block has two modes of operation:

- In normal IrDA mode, a zero logic level is transmitted as high pulse of 3/16th duration of the selected baud rate bit period on the output pin, while logic one levels are transmitted as a static LOW signal. These levels control the driver of an infrared transmitter, sending a pulse of light for each zero. On the reception side, the incoming light pulses energize the photo transistor base of the receiver, pulling its output LOW. This drives the UART input pin LOW.
- In low-power IrDA mode, the width of the transmitted infrared pulse is set to three times the period of the internally generated **IrLPBaud16** signal (1.63  $\mu$ s, assuming a nominal 1.8432 MHz frequency) by changing the appropriate bit in the **UARTCR** register. See page 285 for more information on IrDA low-power pulse-duration configuration.

Figure 12-3 on page 275 shows the UART transmit and receive signals, with and without IrDA modulation.

Figure 12-3. IrDA Data Modulation



In both normal and low-power IrDA modes:

- During transmission, the UART data bit is used as the base for encoding
- During reception, the decoded bits are transferred to the UART receive logic

The IrDA SIR physical layer specifies a half-duplex communication link, with a minimum 10 ms delay between transmission and reception. This delay must be generated by software because it is not automatically supported by the UART. The delay is required because the infrared receiver electronics might become biased, or even saturated from the optical power coupled from the adjacent transmitter LED. This delay is known as latency, or receiver setup time.

If the application does not require the use of the `UnRx` signal, the GPIO pin that has the `UnRx` signal as an alternate function must be configured as the `UnRx` signal and pulled High.

## 12.2.5 FIFO Operation

The UART has two 16-entry FIFOs; one for transmit and one for receive. Both FIFOs are accessed via the **UART Data (UARTDR)** register (see page 279). Read operations of the **UARTDR** register return a 12-bit value consisting of 8 data bits and 4 error flags while write operations place 8-bit data in the transmit FIFO.

Out of reset, both FIFOs are disabled and act as 1-byte-deep holding registers. The FIFOs are enabled by setting the `FEN` bit in **UARTLCRH** (page 288).

FIFO status can be monitored via the **UART Flag (UARTFR)** register (see page 283) and the **UART Receive Status (UARTRSR)** register. Hardware monitors empty, full and overrun conditions. The **UARTFR** register contains empty and full flags (`TXFE`, `TXFF`, `RXFE`, and `RXFF` bits) and the **UARTRSR** register shows overrun status via the `OE` bit.

The trigger points at which the FIFOs generate interrupts is controlled via the **UART Interrupt FIFO Level Select (UARTIFLS)** register (see page 292). Both FIFOs can be individually configured to trigger interrupts at different levels. Available configurations include  $\frac{1}{8}$ ,  $\frac{1}{4}$ ,  $\frac{1}{2}$ ,  $\frac{3}{4}$ , and  $\frac{7}{8}$ . For example, if the  $\frac{1}{4}$  option is selected for the receive FIFO, the UART generates a receive interrupt after 4 data bytes are received. Out of reset, both FIFOs are configured to trigger an interrupt at the  $\frac{1}{2}$  mark.

## 12.2.6 Interrupts

The UART can generate interrupts when the following conditions are observed:

- Overrun Error
- Break Error
- Parity Error
- Framing Error
- Receive Timeout
- Transmit (when condition defined in the `TXIFLSEL` bit in the **UARTIFLS** register is met)
- Receive (when condition defined in the `RXIFLSEL` bit in the **UARTIFLS** register is met)

All of the interrupt events are ORed together before being sent to the interrupt controller, so the UART can only generate a single interrupt request to the controller at any given time. Software can service multiple interrupt events in a single interrupt service routine by reading the **UART Masked Interrupt Status (UARTMIS)** register (see page 297).

The interrupt events that can trigger a controller-level interrupt are defined in the **UART Interrupt Mask (UARTIM)** register (see page 294) by setting the corresponding `IM` bit to 1. If interrupts are not used, the raw interrupt status is always visible via the **UART Raw Interrupt Status (UARTRIS)** register (see page 296).

Interrupts are always cleared (for both the **UARTMIS** and **UARTRIS** registers) by setting the corresponding bit in the **UART Interrupt Clear (UARTICR)** register (see page 298).

The receive timeout interrupt is asserted when the receive FIFO is not empty, and no further data is received over a 32-bit period. The receive timeout interrupt is cleared either when the FIFO becomes empty through reading all the data (or by reading the holding register), or when a 1 is written to the corresponding bit in the **UARTICR** register.

### 12.2.7 Loopback Operation

The UART can be placed into an internal loopback mode for diagnostic or debug work. This is accomplished by setting the `LBE` bit in the **UARTCTL** register (see page 290). In loopback mode, data transmitted on `UnTx` is received on the `UnRx` input.

### 12.2.8 IrDA SIR block

The IrDA SIR block contains an IrDA serial IR (SIR) protocol encoder/decoder. When enabled, the SIR block uses the `UnTx` and `UnRx` pins for the SIR protocol, which should be connected to an IR transceiver.

The SIR block can receive and transmit, but it is only half-duplex so it cannot do both at the same time. Transmission must be stopped before data can be received. The IrDA SIR physical layer specifies a minimum 10-ms delay between transmission and reception.

## 12.3 Initialization and Configuration

To use the UARTs, the peripheral clock must be enabled by setting the `UART0`, `UART1`, or `UART2` bits in the **RCGC1** register.

This section discusses the steps that are required to use a UART module. For this example, the UART clock is assumed to be 20 MHz and the desired UART configuration is:

- 115200 baud rate

- Data length of 8 bits
- One stop bit
- No parity
- FIFOs disabled
- No interrupts

The first thing to consider when programming the UART is the baud-rate divisor (BRD), since the **UARTIBRD** and **UARTFBRD** registers must be written before the **UARTLCRH** register. Using the equation described in “Baud-Rate Generation” on page 273, the BRD can be calculated:

$$\text{BRD} = 20,000,000 / (16 * 115,200) = 10.8507$$

which means that the **DIVINT** field of the **UARTIBRD** register (see page 286) should be set to 10. The value to be loaded into the **UARTFBRD** register (see page 287) is calculated by the equation:

$$\text{UARTFBRD}[\text{DIVFRAC}] = \text{integer}(0.8507 * 64 + 0.5) = 54$$

With the BRD values in hand, the UART configuration is written to the module in the following order:

1. Disable the UART by clearing the **UARTEN** bit in the **UARTCTL** register.
2. Write the integer portion of the BRD to the **UARTIBRD** register.
3. Write the fractional portion of the BRD to the **UARTFBRD** register.
4. Write the desired serial parameters to the **UARTLCRH** register (in this case, a value of 0x0000.0060).
5. Enable the UART by setting the **UARTEN** bit in the **UARTCTL** register.

## 12.4 Register Map

Table 12-1 on page 277 lists the UART registers. The offset listed is a hexadecimal increment to the register’s address, relative to that UART’s base address:

- UART0: 0x4000.C000
- UART1: 0x4000.D000
- UART2: 0x4000.E000

**Note:** The UART must be disabled (see the **UARTEN** bit in the **UARTCTL** register on page 290) before any of the control registers are reprogrammed. When the UART is disabled during a TX or RX operation, the current transaction is completed prior to the UART stopping.

**Table 12-1. UART Register Map**

| Offset | Name           | Type | Reset       | Description                     | See page |
|--------|----------------|------|-------------|---------------------------------|----------|
| 0x000  | UARTDR         | R/W  | 0x0000.0000 | UART Data                       | 279      |
| 0x004  | UARTSR/UARTECR | R/W  | 0x0000.0000 | UART Receive Status/Error Clear | 281      |
| 0x018  | UARTFR         | RO   | 0x0000.0090 | UART Flag                       | 283      |

Table 12-1. UART Register Map (continued)

| Offset | Name          | Type | Reset       | Description                       | See page |
|--------|---------------|------|-------------|-----------------------------------|----------|
| 0x020  | UARTILPR      | R/W  | 0x0000.0000 | UART IrDA Low-Power Register      | 285      |
| 0x024  | UARTIBRD      | R/W  | 0x0000.0000 | UART Integer Baud-Rate Divisor    | 286      |
| 0x028  | UARTFBRD      | R/W  | 0x0000.0000 | UART Fractional Baud-Rate Divisor | 287      |
| 0x02C  | UARTLCRH      | R/W  | 0x0000.0000 | UART Line Control                 | 288      |
| 0x030  | UARTCTL       | R/W  | 0x0000.0300 | UART Control                      | 290      |
| 0x034  | UARTIFLS      | R/W  | 0x0000.0012 | UART Interrupt FIFO Level Select  | 292      |
| 0x038  | UARTIM        | R/W  | 0x0000.0000 | UART Interrupt Mask               | 294      |
| 0x03C  | UARTRIS       | RO   | 0x0000.000F | UART Raw Interrupt Status         | 296      |
| 0x040  | UARTMIS       | RO   | 0x0000.0000 | UART Masked Interrupt Status      | 297      |
| 0x044  | UARTICR       | W1C  | 0x0000.0000 | UART Interrupt Clear              | 298      |
| 0xFD0  | UARTPeriphID4 | RO   | 0x0000.0000 | UART Peripheral Identification 4  | 300      |
| 0xFD4  | UARTPeriphID5 | RO   | 0x0000.0000 | UART Peripheral Identification 5  | 301      |
| 0xFD8  | UARTPeriphID6 | RO   | 0x0000.0000 | UART Peripheral Identification 6  | 302      |
| 0xFDC  | UARTPeriphID7 | RO   | 0x0000.0000 | UART Peripheral Identification 7  | 303      |
| 0xFE0  | UARTPeriphID0 | RO   | 0x0000.0011 | UART Peripheral Identification 0  | 304      |
| 0xFE4  | UARTPeriphID1 | RO   | 0x0000.0000 | UART Peripheral Identification 1  | 305      |
| 0xFE8  | UARTPeriphID2 | RO   | 0x0000.0018 | UART Peripheral Identification 2  | 306      |
| 0xFEC  | UARTPeriphID3 | RO   | 0x0000.0001 | UART Peripheral Identification 3  | 307      |
| 0xFF0  | UARTPCellID0  | RO   | 0x0000.000D | UART PrimeCell Identification 0   | 308      |
| 0xFF4  | UARTPCellID1  | RO   | 0x0000.00F0 | UART PrimeCell Identification 1   | 309      |
| 0xFF8  | UARTPCellID2  | RO   | 0x0000.0005 | UART PrimeCell Identification 2   | 310      |
| 0xFFC  | UARTPCellID3  | RO   | 0x0000.00B1 | UART PrimeCell Identification 3   | 311      |

## 12.5 Register Descriptions

The remainder of this section lists and describes the UART registers, in numerical order by address offset.

## Register 1: UART Data (UARTDR), offset 0x000

**Important:** Use caution when reading this register. Performing a read may change bit status.

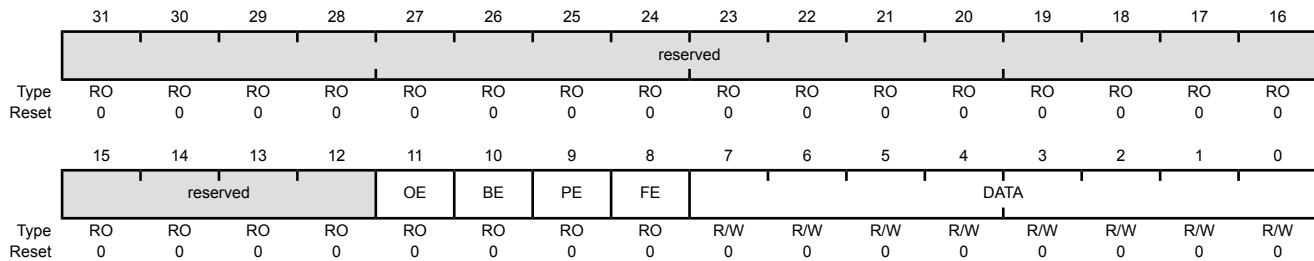
This register is the data register (the interface to the FIFOs).

When FIFOs are enabled, data written to this location is pushed onto the transmit FIFO. If FIFOs are disabled, data is stored in the transmitter holding register (the bottom word of the transmit FIFO). A write to this register initiates a transmission from the UART.

For received data, if the FIFO is enabled, the data byte and the 4-bit status (break, frame, parity, and overrun) is pushed onto the 12-bit wide receive FIFO. If FIFOs are disabled, the data byte and status are stored in the receiving holding register (the bottom word of the receive FIFO). The received data can be retrieved by reading this register.

### UART Data (UARTDR)

UART0 base: 0x4000.C000  
 UART1 base: 0x4000.D000  
 UART2 base: 0x4000.E000  
 Offset 0x000  
 Type R/W, reset 0x0000.0000



| Bit/Field | Name     | Type | Reset | Description  |
|-----------|----------|------|-------|--|
| 31:12     | reserved | RO   | 0     | Software should not rely on the value of a reserved bit. To provide compatibility with future products, the value of a reserved bit should be preserved across a read-modify-write operation.  |
| 11        | OE       | RO   | 0     | UART Overrun Error<br><br>The OE values are defined as follows:<br><br>Value Description<br>0 There has been no data loss due to a FIFO overrun.<br>1 New data was received when the FIFO was full, resulting in data loss.  |
| 10        | BE       | RO   | 0     | UART Break Error<br><br>This bit is set to 1 when a break condition is detected, indicating that the receive data input was held Low for longer than a full-word transmission time (defined as start, data, parity, and stop bits).<br><br>In FIFO mode, this error is associated with the character at the top of the FIFO. When a break occurs, only one 0 character is loaded into the FIFO. The next character is only enabled after the received data input goes to a 1 (marking state) and the next valid start bit is received. |

| Bit/Field | Name | Type | Reset | Description   |
|-----------|------|------|-------|---|
| 9         | PE   | RO   | 0     | <p>UART Parity Error</p> <p>This bit is set to 1 when the parity of the received data character does not match the parity defined by bits 2 and 7 of the <b>UARTLCRH</b> register.</p> <p>In FIFO mode, this error is associated with the character at the top of the FIFO.</p> |
| 8         | FE   | RO   | 0     | <p>UART Framing Error</p> <p>This bit is set to 1 when the received character does not have a valid stop bit (a valid stop bit is 1).</p>   |
| 7:0       | DATA | R/W  | 0     | <p>Data Transmitted or Received</p> <p>When written, the data that is to be transmitted via the UART. When read, the data that was received by the UART.</p>  |



## Register 2: UART Receive Status/Error Clear (UARTRSR/UARTECR), offset 0x004

The **UARTRSR/UARTECR** register is the receive status register/error clear register.

In addition to the **UARTDR** register, receive status can also be read from the **UARTRSR** register. If the status is read from this register, then the status information corresponds to the entry read from **UARTDR** prior to reading **UARTRSR**. The status information for overrun is set immediately when an overrun condition occurs.

The **UARTRSR** register cannot be written.

A write of any value to the **UARTECR** register clears the framing, parity, break, and overrun errors. All the bits are cleared to 0 on reset.

### Reads

#### UART Receive Status/Error Clear (UARTRSR/UARTECR)

UART0 base: 0x4000.C000

UART1 base: 0x4000.D000

UART2 base: 0x4000.E000

Offset 0x004

Type RO, reset 0x0000.0000

|       |          |    |    |    |    |    |    |    |    |    |    |    |    |    |    |    |    |
|-------|----------|----|----|----|----|----|----|----|----|----|----|----|----|----|----|----|----|
|       | 31       | 30 | 29 | 28 | 27 | 26 | 25 | 24 | 23 | 22 | 21 | 20 | 19 | 18 | 17 | 16 |    |
|       | reserved |    |    |    |    |    |    |    |    |    |    |    |    |    |    |    |    |
| Type  | RO       | RO | RO | RO | RO | RO | RO | RO | RO | RO | RO | RO | RO | RO | RO | RO |    |
| Reset | 0        | 0  | 0  | 0  | 0  | 0  | 0  | 0  | 0  | 0  | 0  | 0  | 0  | 0  | 0  | 0  |    |
|       | 15       | 14 | 13 | 12 | 11 | 10 | 9  | 8  | 7  | 6  | 5  | 4  | 3  | 2  | 1  | 0  |    |
|       | reserved |    |    |    |    |    |    |    |    |    |    |    |    | OE | BE | PE | FE |
| Type  | RO       | RO | RO | RO | RO | RO | RO | RO | RO | RO | RO | RO | RO | RO | RO | RO |    |
| Reset | 0        | 0  | 0  | 0  | 0  | 0  | 0  | 0  | 0  | 0  | 0  | 0  | 0  | 0  | 0  | 0  |    |

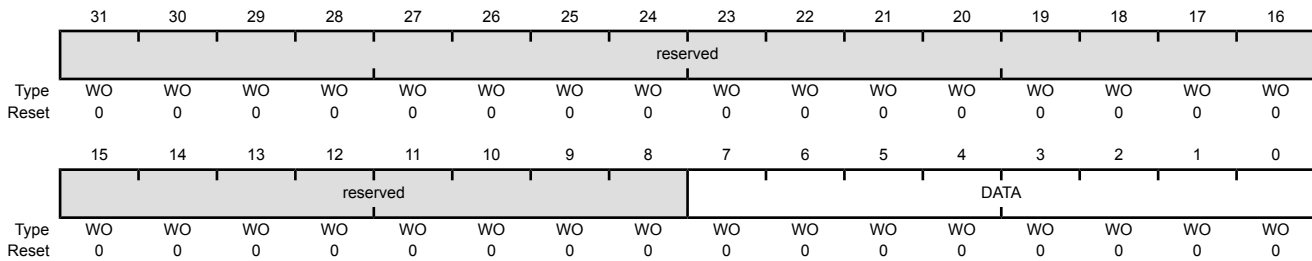
| Bit/Field | Name     | Type | Reset | Description   |
|-----------|----------|------|-------|---|
| 31:4      | reserved | RO   | 0     | Software should not rely on the value of a reserved bit. To provide compatibility with future products, the value of a reserved bit should be preserved across a read-modify-write operation.   |
| 3         | OE       | RO   | 0     | <p>UART Overrun Error</p> <p>When this bit is set to 1, data is received and the FIFO is already full. This bit is cleared to 0 by a write to <b>UARTECR</b>.</p> <p>The FIFO contents remain valid since no further data is written when the FIFO is full, only the contents of the shift register are overwritten. The CPU must now read the data in order to empty the FIFO.</p>   |
| 2         | BE       | RO   | 0     | <p>UART Break Error</p> <p>This bit is set to 1 when a break condition is detected, indicating that the received data input was held Low for longer than a full-word transmission time (defined as start, data, parity, and stop bits).</p> <p>This bit is cleared to 0 by a write to <b>UARTECR</b>.</p> <p>In FIFO mode, this error is associated with the character at the top of the FIFO. When a break occurs, only one 0 character is loaded into the FIFO. The next character is only enabled after the receive data input goes to a 1 (marking state) and the next valid start bit is received.</p> |

| Bit/Field | Name | Type | Reset | Description  |
|-----------|------|------|-------|--|
| 1         | PE   | RO   | 0     | <p>UART Parity Error</p> <p>This bit is set to 1 when the parity of the received data character does not match the parity defined by bits 2 and 7 of the <b>UARTLCRH</b> register.</p> <p>This bit is cleared to 0 by a write to <b>UARTECR</b>.</p>   |
| 0         | FE   | RO   | 0     | <p>UART Framing Error</p> <p>This bit is set to 1 when the received character does not have a valid stop bit (a valid stop bit is 1).</p> <p>This bit is cleared to 0 by a write to <b>UARTECR</b>.</p> <p>In FIFO mode, this error is associated with the character at the top of the FIFO.</p> |

**Writes**

UART Receive Status/Error Clear (UARTRSR/UARTECR)

UART0 base: 0x4000.C000  
 UART1 base: 0x4000.D000  
 UART2 base: 0x4000.E000  
 Offset 0x004  
 Type WO, reset 0x0000.0000



| Bit/Field | Name     | Type | Reset | Description  |
|-----------|----------|------|-------|--|
| 31:8      | reserved | WO   | 0     | <p>Software should not rely on the value of a reserved bit. To provide compatibility with future products, the value of a reserved bit should be preserved across a read-modify-write operation.</p> |
| 7:0       | DATA     | WO   | 0     | <p>Error Clear</p> <p>A write to this register of any data clears the framing, parity, break, and overrun flags.</p>   |

### Register 3: UART Flag (UARTFR), offset 0x018

The **UARTFR** register is the flag register. After reset, the **TXFF**, **RXFF**, and **BUSY** bits are 0, and **TXFE** and **RXFE** bits are 1.

#### UART Flag (UARTFR)

UART0 base: 0x4000.C000

UART1 base: 0x4000.D000

UART2 base: 0x4000.E000

Offset 0x018

Type RO, reset 0x0000.0090

|       |          |    |    |    |    |    |    |    |      |      |      |      |      |          |    |    |
|-------|----------|----|----|----|----|----|----|----|------|------|------|------|------|----------|----|----|
|       | 31       | 30 | 29 | 28 | 27 | 26 | 25 | 24 | 23   | 22   | 21   | 20   | 19   | 18       | 17 | 16 |
|       | reserved |    |    |    |    |    |    |    |      |      |      |      |      |          |    |    |
| Type  | RO       | RO | RO | RO | RO | RO | RO | RO | RO   | RO   | RO   | RO   | RO   | RO       | RO | RO |
| Reset | 0        | 0  | 0  | 0  | 0  | 0  | 0  | 0  | 0    | 0    | 0    | 0    | 0    | 0        | 0  | 0  |
|       | 15       | 14 | 13 | 12 | 11 | 10 | 9  | 8  | 7    | 6    | 5    | 4    | 3    | 2        | 1  | 0  |
|       | reserved |    |    |    |    |    |    |    | TXFE | RXFF | TXFF | RXFE | BUSY | reserved |    |    |
| Type  | RO       | RO | RO | RO | RO | RO | RO | RO | RO   | RO   | RO   | RO   | RO   | RO       | RO | RO |
| Reset | 0        | 0  | 0  | 0  | 0  | 0  | 0  | 0  | 1    | 0    | 0    | 1    | 0    | 0        | 0  | 0  |

| Bit/Field | Name     | Type | Reset | Description   |
|-----------|----------|------|-------|---|
| 31:8      | reserved | RO   | 0     | Software should not rely on the value of a reserved bit. To provide compatibility with future products, the value of a reserved bit should be preserved across a read-modify-write operation.   |
| 7         | TXFE     | RO   | 1     | <p>UART Transmit FIFO Empty</p> <p>The meaning of this bit depends on the state of the <b>FEN</b> bit in the <b>UARTLCRH</b> register.</p> <p>If the FIFO is disabled (<b>FEN</b> is 0), this bit is set when the transmit holding register is empty.</p> <p>If the FIFO is enabled (<b>FEN</b> is 1), this bit is set when the transmit FIFO is empty.</p> |
| 6         | RXFF     | RO   | 0     | <p>UART Receive FIFO Full</p> <p>The meaning of this bit depends on the state of the <b>FEN</b> bit in the <b>UARTLCRH</b> register.</p> <p>If the FIFO is disabled, this bit is set when the receive holding register is full.</p> <p>If the FIFO is enabled, this bit is set when the receive FIFO is full.</p>   |
| 5         | TXFF     | RO   | 0     | <p>UART Transmit FIFO Full</p> <p>The meaning of this bit depends on the state of the <b>FEN</b> bit in the <b>UARTLCRH</b> register.</p> <p>If the FIFO is disabled, this bit is set when the transmit holding register is full.</p> <p>If the FIFO is enabled, this bit is set when the transmit FIFO is full.</p>  |

| Bit/Field | Name     | Type | Reset | Description  |
|-----------|----------|------|-------|--|
| 4         | RXFE     | RO   | 1     | <p>UART Receive FIFO Empty</p> <p>The meaning of this bit depends on the state of the <code>FEN</code> bit in the <b>UARTLCRH</b> register.</p> <p>If the FIFO is disabled, this bit is set when the receive holding register is empty.</p> <p>If the FIFO is enabled, this bit is set when the receive FIFO is empty.</p> |
| 3         | BUSY     | RO   | 0     | <p>UART Busy</p> <p>When this bit is 1, the UART is busy transmitting data. This bit remains set until the complete byte, including all stop bits, has been sent from the shift register.</p> <p>This bit is set as soon as the transmit FIFO becomes non-empty (regardless of whether UART is enabled).</p>               |
| 2:0       | reserved | RO   | 0     | <p>Software should not rely on the value of a reserved bit. To provide compatibility with future products, the value of a reserved bit should be preserved across a read-modify-write operation.</p>   |

## Register 4: UART IrDA Low-Power Register (UARTILPR), offset 0x020

The **UARTILPR** register is an 8-bit read/write register that stores the low-power counter divisor value used to derive the low-power SIR pulse width clock by dividing down the system clock (SysClk). All the bits are cleared to 0 when reset.

The internal  $F_{IrLPBaud16}$  clock is generated by dividing down SysClk according to the low-power divisor value written to **UARTILPR**. The duration of SIR pulses generated when low-power mode is enabled is three times the period of the  $F_{IrLPBaud16}$  clock. The low-power divisor value is calculated as follows:

$$ILPDVSR = SysClk / F_{IrLPBaud16}$$

where  $F_{IrLPBaud16}$  is nominally 1.8432 MHz.

You must choose the divisor so that  $1.42 \text{ MHz} < F_{IrLPBaud16} < 2.12 \text{ MHz}$ , which results in a low-power pulse duration of 1.41–2.11  $\mu\text{s}$  (three times the period of  $F_{IrLPBaud16}$ ). The minimum frequency of  $F_{IrLPBaud16}$  ensures that pulses less than one period of  $F_{IrLPBaud16}$  are rejected, but that pulses greater than 1.4  $\mu\text{s}$  are accepted as valid pulses.

**Note:** Zero is an illegal value. Programming a zero value results in no  $F_{IrLPBaud16}$  pulses being generated.

### UART IrDA Low-Power Register (UARTILPR)

UART0 base: 0x4000.C000  
 UART1 base: 0x4000.D000  
 UART2 base: 0x4000.E000  
 Offset 0x020  
 Type R/W, reset 0x0000.0000

|       |          |    |    |    |    |    |    |    |         |     |     |     |     |     |     |     |
|-------|----------|----|----|----|----|----|----|----|---------|-----|-----|-----|-----|-----|-----|-----|
|       | 31       | 30 | 29 | 28 | 27 | 26 | 25 | 24 | 23      | 22  | 21  | 20  | 19  | 18  | 17  | 16  |
|       | reserved |    |    |    |    |    |    |    |         |     |     |     |     |     |     |     |
| Type  | RO       | RO | RO | RO | RO | RO | RO | RO | RO      | RO  | RO  | RO  | RO  | RO  | RO  | RO  |
| Reset | 0        | 0  | 0  | 0  | 0  | 0  | 0  | 0  | 0       | 0   | 0   | 0   | 0   | 0   | 0   | 0   |
|       | 15       | 14 | 13 | 12 | 11 | 10 | 9  | 8  | 7       | 6   | 5   | 4   | 3   | 2   | 1   | 0   |
|       | reserved |    |    |    |    |    |    |    | ILPDVSR |     |     |     |     |     |     |     |
| Type  | RO       | RO | RO | RO | RO | RO | RO | RO | R/W     | R/W | R/W | R/W | R/W | R/W | R/W | R/W |
| Reset | 0        | 0  | 0  | 0  | 0  | 0  | 0  | 0  | 0       | 0   | 0   | 0   | 0   | 0   | 0   | 0   |

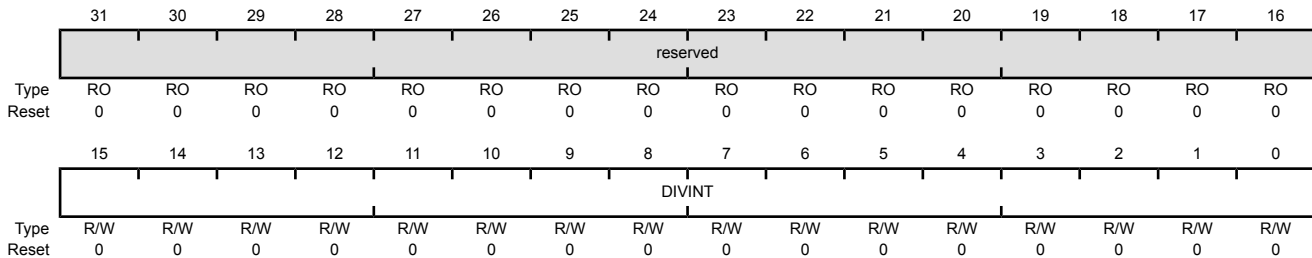
| Bit/Field | Name     | Type | Reset | Description   |
|-----------|----------|------|-------|---|
| 31:8      | reserved | RO   | 0     | Software should not rely on the value of a reserved bit. To provide compatibility with future products, the value of a reserved bit should be preserved across a read-modify-write operation. |
| 7:0       | ILPDVSR  | R/W  | 0x00  | IrDA Low-Power Divisor<br>This is an 8-bit low-power divisor value.   |

### Register 5: UART Integer Baud-Rate Divisor (UARTIBRD), offset 0x024

The **UARTIBRD** register is the integer part of the baud-rate divisor value. All the bits are cleared on reset. The minimum possible divide ratio is 1 (when **UARTIBRD**=0), in which case the **UARTFBRD** register is ignored. When changing the **UARTIBRD** register, the new value does not take effect until transmission/reception of the current character is complete. Any changes to the baud-rate divisor must be followed by a write to the **UARTLCRH** register. See “Baud-Rate Generation” on page 273 for configuration details.

#### UART Integer Baud-Rate Divisor (UARTIBRD)

UART0 base: 0x4000.C000  
 UART1 base: 0x4000.D000  
 UART2 base: 0x4000.E000  
 Offset 0x024  
 Type R/W, reset 0x0000.0000



| Bit/Field | Name     | Type | Reset  | Description   |
|-----------|----------|------|--------|---|
| 31:16     | reserved | RO   | 0      | Software should not rely on the value of a reserved bit. To provide compatibility with future products, the value of a reserved bit should be preserved across a read-modify-write operation. |
| 15:0      | DIVINT   | R/W  | 0x0000 | Integer Baud-Rate Divisor   |

**Register 6: UART Fractional Baud-Rate Divisor (UARTFBRD), offset 0x028**

The **UARTFBRD** register is the fractional part of the baud-rate divisor value. All the bits are cleared on reset. When changing the **UARTFBRD** register, the new value does not take effect until transmission/reception of the current character is complete. Any changes to the baud-rate divisor must be followed by a write to the **UARTLCRH** register. See “Baud-Rate Generation” on page 273 for configuration details.

## UART Fractional Baud-Rate Divisor (UARTFBRD)

UART0 base: 0x4000.C000  
 UART1 base: 0x4000.D000  
 UART2 base: 0x4000.E000  
 Offset 0x028  
 Type R/W, reset 0x0000.0000

|       |          |    |    |    |    |    |    |    |    |    |     |         |     |     |     |     |
|-------|----------|----|----|----|----|----|----|----|----|----|-----|---------|-----|-----|-----|-----|
|       | 31       | 30 | 29 | 28 | 27 | 26 | 25 | 24 | 23 | 22 | 21  | 20      | 19  | 18  | 17  | 16  |
|       | reserved |    |    |    |    |    |    |    |    |    |     |         |     |     |     |     |
| Type  | RO       | RO | RO | RO | RO | RO | RO | RO | RO | RO | RO  | RO      | RO  | RO  | RO  | RO  |
| Reset | 0        | 0  | 0  | 0  | 0  | 0  | 0  | 0  | 0  | 0  | 0   | 0       | 0   | 0   | 0   | 0   |
|       | 15       | 14 | 13 | 12 | 11 | 10 | 9  | 8  | 7  | 6  | 5   | 4       | 3   | 2   | 1   | 0   |
|       | reserved |    |    |    |    |    |    |    |    |    |     | DIVFRAC |     |     |     |     |
| Type  | RO       | RO | RO | RO | RO | RO | RO | RO | RO | RO | R/W | R/W     | R/W | R/W | R/W | R/W |
| Reset | 0        | 0  | 0  | 0  | 0  | 0  | 0  | 0  | 0  | 0  | 0   | 0       | 0   | 0   | 0   | 0   |

| Bit/Field | Name     | Type | Reset | Description   |
|-----------|----------|------|-------|---|
| 31:6      | reserved | RO   | 0x00  | Software should not rely on the value of a reserved bit. To provide compatibility with future products, the value of a reserved bit should be preserved across a read-modify-write operation. |
| 5:0       | DIVFRAC  | R/W  | 0x000 | Fractional Baud-Rate Divisor  |

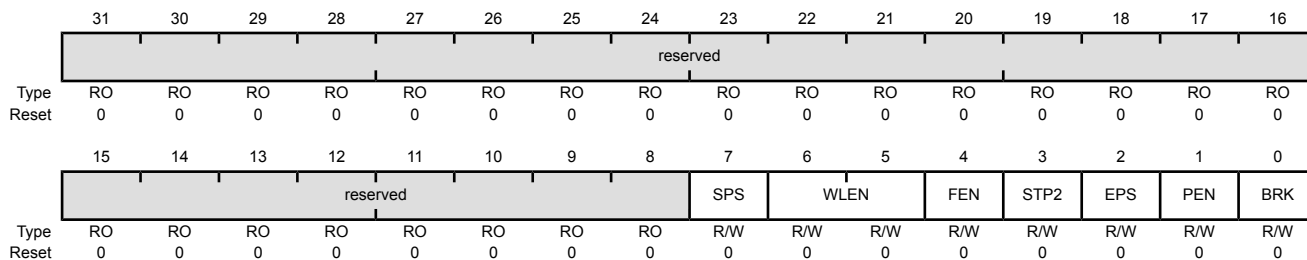
### Register 7: UART Line Control (UARTLCRH), offset 0x02C

The **UARTLCRH** register is the line control register. Serial parameters such as data length, parity, and stop bit selection are implemented in this register.

When updating the baud-rate divisor (**UARTIBRD** and/or **UARTIFRD**), the **UARTLCRH** register must also be written. The write strobe for the baud-rate divisor registers is tied to the **UARTLCRH** register.

#### UART Line Control (UARTLCRH)

UART0 base: 0x4000.C000  
 UART1 base: 0x4000.D000  
 UART2 base: 0x4000.E000  
 Offset 0x02C  
 Type R/W, reset 0x0000.0000



| Bit/Field | Name     | Type | Reset | Description  |
|-----------|----------|------|-------|--|
| 31:8      | reserved | RO   | 0     | Software should not rely on the value of a reserved bit. To provide compatibility with future products, the value of a reserved bit should be preserved across a read-modify-write operation.  |
| 7         | SPS      | R/W  | 0     | UART Stick Parity Select<br><br>When bits 1, 2, and 7 of <b>UARTLCRH</b> are set, the parity bit is transmitted and checked as a 0. When bits 1 and 7 are set and 2 is cleared, the parity bit is transmitted and checked as a 1.<br><br>When this bit is cleared, stick parity is disabled. |
| 6:5       | WLEN     | R/W  | 0     | UART Word Length<br><br>The bits indicate the number of data bits transmitted or received in a frame as follows:<br><br>Value Description<br>0x3 8 bits<br>0x2 7 bits<br>0x1 6 bits<br>0x0 5 bits (default)  |
| 4         | FEN      | R/W  | 0     | UART Enable FIFOs<br><br>If this bit is set to 1, transmit and receive FIFO buffers are enabled (FIFO mode).<br><br>When cleared to 0, FIFOs are disabled (Character mode). The FIFOs become 1-byte-deep holding registers.  |



| Bit/Field | Name | Type | Reset | Description  |
|-----------|------|------|-------|--|
| 3         | STP2 | R/W  | 0     | <p>UART Two Stop Bits Select</p> <p>If this bit is set to 1, two stop bits are transmitted at the end of a frame. The receive logic does not check for two stop bits being received.</p>   |
| 2         | EPS  | R/W  | 0     | <p>UART Even Parity Select</p> <p>If this bit is set to 1, even parity generation and checking is performed during transmission and reception, which checks for an even number of 1s in data and parity bits.</p> <p>When cleared to 0, then odd parity is performed, which checks for an odd number of 1s.</p> <p>This bit has no effect when parity is disabled by the <code>PEN</code> bit.</p> |
| 1         | PEN  | R/W  | 0     | <p>UART Parity Enable</p> <p>If this bit is set to 1, parity checking and generation is enabled; otherwise, parity is disabled and no parity bit is added to the data frame.</p>   |
| 0         | BRK  | R/W  | 0     | <p>UART Send Break</p> <p>If this bit is set to 1, a Low level is continually output on the <code>U<sub>n</sub>TX</code> output, after completing transmission of the current character. For the proper execution of the break command, the software must set this bit for at least two frames (character periods). For normal use, this bit must be cleared to 0.</p>                             |

### Register 8: UART Control (UARTCTL), offset 0x030

The **UARTCTL** register is the control register. All the bits are cleared on reset except for the Transmit Enable (TXE) and Receive Enable (RXE) bits, which are set to 1.

To enable the UART module, the **UARTEN** bit must be set to 1. If software requires a configuration change in the module, the **UARTEN** bit must be cleared before the configuration changes are written. If the UART is disabled during a transmit or receive operation, the current transaction is completed prior to the UART stopping.

**Note:** The **UARTCTL** register should not be changed while the UART is enabled or else the results are unpredictable. The following sequence is recommended for making changes to the **UARTCTL** register.

1. Disable the UART.
2. Wait for the end of transmission or reception of the current character.
3. Flush the transmit FIFO by disabling bit 4 (**FEN**) in the line control register (**UARTLCRH**).
4. Reprogram the control register.
5. Enable the UART.

#### UART Control (UARTCTL)

UART0 base: 0x4000.C000  
 UART1 base: 0x4000.D000  
 UART2 base: 0x4000.E000  
 Offset 0x030  
 Type R/W, reset 0x0000.0300

|       |          |    |    |    |    |    |     |     |     |          |    |    |    |       |       |        |
|-------|----------|----|----|----|----|----|-----|-----|-----|----------|----|----|----|-------|-------|--------|
|       | 31       | 30 | 29 | 28 | 27 | 26 | 25  | 24  | 23  | 22       | 21 | 20 | 19 | 18    | 17    | 16     |
|       | reserved |    |    |    |    |    |     |     |     |          |    |    |    |       |       |        |
| Type  | RO       | RO | RO | RO | RO | RO | RO  | RO  | RO  | RO       | RO | RO | RO | RO    | RO    | RO     |
| Reset | 0        | 0  | 0  | 0  | 0  | 0  | 0   | 0   | 0   | 0        | 0  | 0  | 0  | 0     | 0     | 0      |
|       | 15       | 14 | 13 | 12 | 11 | 10 | 9   | 8   | 7   | 6        | 5  | 4  | 3  | 2     | 1     | 0      |
|       | reserved |    |    |    |    |    | RXE | TXE | LBE | reserved |    |    |    | SIRLP | SIREN | UARTEN |
| Type  | RO       | RO | RO | RO | RO | RO | R/W | R/W | R/W | RO       | RO | RO | RO | R/W   | R/W   | R/W    |
| Reset | 0        | 0  | 0  | 0  | 0  | 0  | 1   | 1   | 0   | 0        | 0  | 0  | 0  | 0     | 0     | 0      |

| Bit/Field | Name     | Type | Reset | Description   |
|-----------|----------|------|-------|---|
| 31:10     | reserved | RO   | 0     | Software should not rely on the value of a reserved bit. To provide compatibility with future products, the value of a reserved bit should be preserved across a read-modify-write operation.   |
| 9         | RXE      | R/W  | 1     | <p>UART Receive Enable</p> <p>If this bit is set to 1, the receive section of the UART is enabled. When the UART is disabled in the middle of a receive, it completes the current character before stopping.</p> <p><b>Note:</b> To enable reception, the <b>UARTEN</b> bit must also be set.</p> |

| Bit/Field | Name     | Type | Reset | Description   |
|-----------|----------|------|-------|---|
| 8         | TXE      | R/W  | 1     | <p>UART Transmit Enable</p> <p>If this bit is set to 1, the transmit section of the UART is enabled. When the UART is disabled in the middle of a transmission, it completes the current character before stopping.</p> <p><b>Note:</b> To enable transmission, the <code>UARTEN</code> bit must also be set.</p>   |
| 7         | LBE      | R/W  | 0     | <p>UART Loop Back Enable</p> <p>If this bit is set to 1, the <code>UnTX</code> path is fed through the <code>UnRX</code> path.</p>  |
| 6:3       | reserved | RO   | 0     | <p>Software should not rely on the value of a reserved bit. To provide compatibility with future products, the value of a reserved bit should be preserved across a read-modify-write operation.</p>  |
| 2         | SIRLP    | R/W  | 0     | <p>UART SIR Low Power Mode</p> <p>This bit selects the IrDA encoding mode. If this bit is cleared to 0, low-level bits are transmitted as an active High pulse with a width of 3/16th of the bit period. If this bit is set to 1, low-level bits are transmitted with a pulse width which is 3 times the period of the <code>IrLPBaud16</code> input signal, regardless of the selected bit rate. Setting this bit uses less power, but might reduce transmission distances. See page 285 for more information.</p> |
| 1         | SIREN    | R/W  | 0     | <p>UART SIR Enable</p> <p>If this bit is set to 1, the IrDA SIR block is enabled, and the UART will transmit and receive data using SIR protocol.</p>   |
| 0         | UARTEN   | R/W  | 0     | <p>UART Enable</p> <p>If this bit is set to 1, the UART is enabled. When the UART is disabled in the middle of transmission or reception, it completes the current character before stopping.</p>   |

### Register 9: UART Interrupt FIFO Level Select (UARTIFLS), offset 0x034

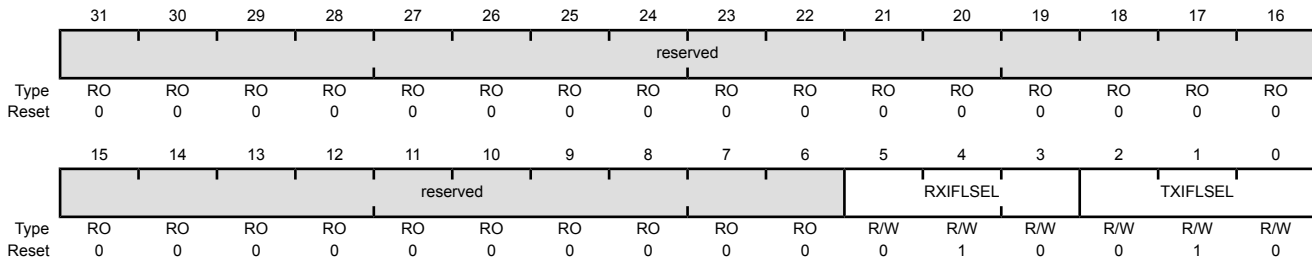
The **UARTIFLS** register is the interrupt FIFO level select register. You can use this register to define the FIFO level at which the **TXRIS** and **RXRIS** bits in the **UARTRIS** register are triggered.

The interrupts are generated based on a transition through a level rather than being based on the level. That is, the interrupts are generated when the fill level progresses through the trigger level. For example, if the receive trigger level is set to the half-way mark, the interrupt is triggered as the module is receiving the 9th character.

Out of reset, the **TXIFLSEL** and **RXIFLSEL** bits are configured so that the FIFOs trigger an interrupt at the half-way mark.

#### UART Interrupt FIFO Level Select (UARTIFLS)

UART0 base: 0x4000.C000  
 UART1 base: 0x4000.D000  
 UART2 base: 0x4000.E000  
 Offset 0x034  
 Type R/W, reset 0x0000.0012



| Bit/Field | Name     | Type | Reset | Description   |
|-----------|----------|------|-------|---|
| 31:6      | reserved | RO   | 0x00  | Software should not rely on the value of a reserved bit. To provide compatibility with future products, the value of a reserved bit should be preserved across a read-modify-write operation. |
| 5:3       | RXIFLSEL | R/W  | 0x2   | UART Receive Interrupt FIFO Level Select  |

The trigger points for the receive interrupt are as follows:

| Value   | Description                       |
|---------|-----------------------------------|
| 0x0     | RX FIFO $\geq$ 1/8 full           |
| 0x1     | RX FIFO $\geq$ 1/4 full           |
| 0x2     | RX FIFO $\geq$ 1/2 full (default) |
| 0x3     | RX FIFO $\geq$ 3/4 full           |
| 0x4     | RX FIFO $\geq$ 7/8 full           |
| 0x5-0x7 | Reserved                          |

---

| Bit/Field | Name     | Type | Reset | Description  |
|-----------|----------|------|-------|--|
| 2:0       | TXIFLSEL | R/W  | 0x2   | UART Transmit Interrupt FIFO Level Select<br>The trigger points for the transmit interrupt are as follows:<br><br>Value Description<br>0x0 TX FIFO $\leq$ 1/8 full<br>0x1 TX FIFO $\leq$ 1/4 full<br>0x2 TX FIFO $\leq$ 1/2 full (default)<br>0x3 TX FIFO $\leq$ 3/4 full<br>0x4 TX FIFO $\leq$ 7/8 full<br>0x5-0x7 Reserved |

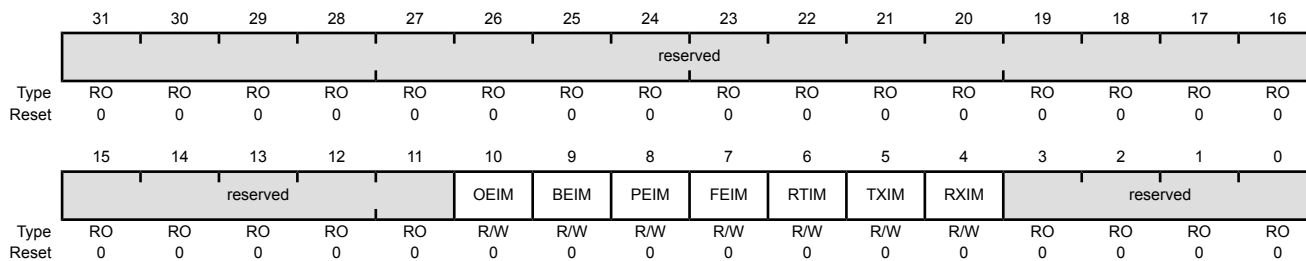
### Register 10: UART Interrupt Mask (UARTIM), offset 0x038

The **UARTIM** register is the interrupt mask set/clear register.

On a read, this register gives the current value of the mask on the relevant interrupt. Writing a 1 to a bit allows the corresponding raw interrupt signal to be routed to the interrupt controller. Writing a 0 prevents the raw interrupt signal from being sent to the interrupt controller.

#### UART Interrupt Mask (UARTIM)

UART0 base: 0x4000.C000  
 UART1 base: 0x4000.D000  
 UART2 base: 0x4000.E000  
 Offset 0x038  
 Type R/W, reset 0x0000.0000



| Bit/Field | Name     | Type | Reset | Description   |
|-----------|----------|------|-------|---|
| 31:11     | reserved | RO   | 0x00  | Software should not rely on the value of a reserved bit. To provide compatibility with future products, the value of a reserved bit should be preserved across a read-modify-write operation.           |
| 10        | OEIM     | R/W  | 0     | UART Overrun Error Interrupt Mask<br>On a read, the current mask for the <b>OEIM</b> interrupt is returned.<br>Setting this bit to 1 promotes the <b>OEIM</b> interrupt to the interrupt controller.    |
| 9         | BEIM     | R/W  | 0     | UART Break Error Interrupt Mask<br>On a read, the current mask for the <b>BEIM</b> interrupt is returned.<br>Setting this bit to 1 promotes the <b>BEIM</b> interrupt to the interrupt controller.      |
| 8         | PEIM     | R/W  | 0     | UART Parity Error Interrupt Mask<br>On a read, the current mask for the <b>PEIM</b> interrupt is returned.<br>Setting this bit to 1 promotes the <b>PEIM</b> interrupt to the interrupt controller.     |
| 7         | FEIM     | R/W  | 0     | UART Framing Error Interrupt Mask<br>On a read, the current mask for the <b>FEIM</b> interrupt is returned.<br>Setting this bit to 1 promotes the <b>FEIM</b> interrupt to the interrupt controller.    |
| 6         | RTIM     | R/W  | 0     | UART Receive Time-Out Interrupt Mask<br>On a read, the current mask for the <b>RTIM</b> interrupt is returned.<br>Setting this bit to 1 promotes the <b>RTIM</b> interrupt to the interrupt controller. |
| 5         | TXIM     | R/W  | 0     | UART Transmit Interrupt Mask<br>On a read, the current mask for the <b>TXIM</b> interrupt is returned.<br>Setting this bit to 1 promotes the <b>TXIM</b> interrupt to the interrupt controller.         |

---

| Bit/Field | Name     | Type | Reset | Description  |
|-----------|----------|------|-------|--|
| 4         | RXIM     | R/W  | 0     | UART Receive Interrupt Mask<br>On a read, the current mask for the <code>RXIM</code> interrupt is returned.<br>Setting this bit to 1 promotes the <code>RXIM</code> interrupt to the interrupt controller. |
| 3:0       | reserved | RO   | 0x00  | Software should not rely on the value of a reserved bit. To provide compatibility with future products, the value of a reserved bit should be preserved across a read-modify-write operation.              |

### Register 11: UART Raw Interrupt Status (UARTRIS), offset 0x03C

The **UARTRIS** register is the raw interrupt status register. On a read, this register gives the current raw status value of the corresponding interrupt. A write has no effect.

#### UART Raw Interrupt Status (UARTRIS)

UART0 base: 0x4000.C000  
 UART1 base: 0x4000.D000  
 UART2 base: 0x4000.E000  
 Offset 0x03C  
 Type RO, reset 0x0000.000F

|       |          |    |    |    |       |       |       |       |       |       |       |          |    |    |    |    |
|-------|----------|----|----|----|-------|-------|-------|-------|-------|-------|-------|----------|----|----|----|----|
|       | 31       | 30 | 29 | 28 | 27    | 26    | 25    | 24    | 23    | 22    | 21    | 20       | 19 | 18 | 17 | 16 |
|       | reserved |    |    |    |       |       |       |       |       |       |       |          |    |    |    |    |
| Type  | RO       | RO | RO | RO | RO    | RO    | RO    | RO    | RO    | RO    | RO    | RO       | RO | RO | RO | RO |
| Reset | 0        | 0  | 0  | 0  | 0     | 0     | 0     | 0     | 0     | 0     | 0     | 0        | 0  | 0  | 0  | 0  |
|       | 15       | 14 | 13 | 12 | 11    | 10    | 9     | 8     | 7     | 6     | 5     | 4        | 3  | 2  | 1  | 0  |
|       | reserved |    |    |    | OERIS | BERIS | PERIS | FERIS | RTRIS | TXRIS | RXRIS | reserved |    |    |    |    |
| Type  | RO       | RO | RO | RO | RO    | RO    | RO    | RO    | RO    | RO    | RO    | RO       | RO | RO | RO | RO |
| Reset | 0        | 0  | 0  | 0  | 0     | 0     | 0     | 0     | 0     | 0     | 0     | 0        | 1  | 1  | 1  | 1  |

| Bit/Field | Name     | Type | Reset | Description   |
|-----------|----------|------|-------|---|
| 31:11     | reserved | RO   | 0x00  | Software should not rely on the value of a reserved bit. To provide compatibility with future products, the value of a reserved bit should be preserved across a read-modify-write operation. |
| 10        | OERIS    | RO   | 0     | UART Overrun Error Raw Interrupt Status<br>Gives the raw interrupt state (prior to masking) of this interrupt.  |
| 9         | BERIS    | RO   | 0     | UART Break Error Raw Interrupt Status<br>Gives the raw interrupt state (prior to masking) of this interrupt.  |
| 8         | PERIS    | RO   | 0     | UART Parity Error Raw Interrupt Status<br>Gives the raw interrupt state (prior to masking) of this interrupt.   |
| 7         | FERIS    | RO   | 0     | UART Framing Error Raw Interrupt Status<br>Gives the raw interrupt state (prior to masking) of this interrupt.  |
| 6         | RTRIS    | RO   | 0     | UART Receive Time-Out Raw Interrupt Status<br>Gives the raw interrupt state (prior to masking) of this interrupt.   |
| 5         | TXRIS    | RO   | 0     | UART Transmit Raw Interrupt Status<br>Gives the raw interrupt state (prior to masking) of this interrupt.   |
| 4         | RXRIS    | RO   | 0     | UART Receive Raw Interrupt Status<br>Gives the raw interrupt state (prior to masking) of this interrupt.  |
| 3:0       | reserved | RO   | 0xF   | Software should not rely on the value of a reserved bit. To provide compatibility with future products, the value of a reserved bit should be preserved across a read-modify-write operation. |



## Register 12: UART Masked Interrupt Status (UARTMIS), offset 0x040

The **UARTMIS** register is the masked interrupt status register. On a read, this register gives the current masked status value of the corresponding interrupt. A write has no effect.

### UART Masked Interrupt Status (UARTMIS)

UART0 base: 0x4000.C000  
 UART1 base: 0x4000.D000  
 UART2 base: 0x4000.E000  
 Offset 0x040  
 Type RO, reset 0x0000.0000

|       |          |    |    |    |       |       |       |       |       |       |       |          |    |    |    |    |
|-------|----------|----|----|----|-------|-------|-------|-------|-------|-------|-------|----------|----|----|----|----|
|       | 31       | 30 | 29 | 28 | 27    | 26    | 25    | 24    | 23    | 22    | 21    | 20       | 19 | 18 | 17 | 16 |
|       | reserved |    |    |    |       |       |       |       |       |       |       |          |    |    |    |    |
| Type  | RO       | RO | RO | RO | RO    | RO    | RO    | RO    | RO    | RO    | RO    | RO       | RO | RO | RO | RO |
| Reset | 0        | 0  | 0  | 0  | 0     | 0     | 0     | 0     | 0     | 0     | 0     | 0        | 0  | 0  | 0  | 0  |
|       | 15       | 14 | 13 | 12 | 11    | 10    | 9     | 8     | 7     | 6     | 5     | 4        | 3  | 2  | 1  | 0  |
|       | reserved |    |    |    | OEMIS | BEMIS | PEMIS | FEMIS | RTMIS | TXMIS | RXMIS | reserved |    |    |    |    |
| Type  | RO       | RO | RO | RO | RO    | RO    | RO    | RO    | RO    | RO    | RO    | RO       | RO | RO | RO | RO |
| Reset | 0        | 0  | 0  | 0  | 0     | 0     | 0     | 0     | 0     | 0     | 0     | 0        | 0  | 0  | 0  | 0  |

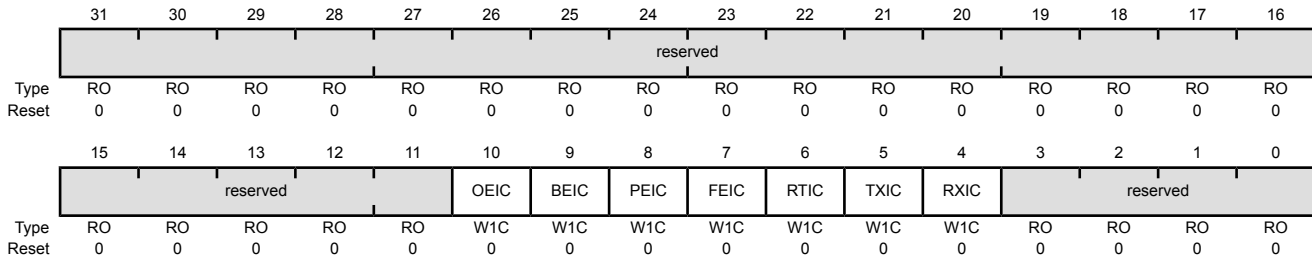
| Bit/Field | Name     | Type | Reset | Description   |
|-----------|----------|------|-------|---|
| 31:11     | reserved | RO   | 0x00  | Software should not rely on the value of a reserved bit. To provide compatibility with future products, the value of a reserved bit should be preserved across a read-modify-write operation. |
| 10        | OEMIS    | RO   | 0     | UART Overrun Error Masked Interrupt Status<br>Gives the masked interrupt state of this interrupt.   |
| 9         | BEMIS    | RO   | 0     | UART Break Error Masked Interrupt Status<br>Gives the masked interrupt state of this interrupt.   |
| 8         | PEMIS    | RO   | 0     | UART Parity Error Masked Interrupt Status<br>Gives the masked interrupt state of this interrupt.  |
| 7         | FEMIS    | RO   | 0     | UART Framing Error Masked Interrupt Status<br>Gives the masked interrupt state of this interrupt.   |
| 6         | RTMIS    | RO   | 0     | UART Receive Time-Out Masked Interrupt Status<br>Gives the masked interrupt state of this interrupt.  |
| 5         | TXMIS    | RO   | 0     | UART Transmit Masked Interrupt Status<br>Gives the masked interrupt state of this interrupt.  |
| 4         | RXMIS    | RO   | 0     | UART Receive Masked Interrupt Status<br>Gives the masked interrupt state of this interrupt.   |
| 3:0       | reserved | RO   | 0     | Software should not rely on the value of a reserved bit. To provide compatibility with future products, the value of a reserved bit should be preserved across a read-modify-write operation. |

### Register 13: UART Interrupt Clear (UARTICR), offset 0x044

The **UARTICR** register is the interrupt clear register. On a write of 1, the corresponding interrupt (both raw interrupt and masked interrupt, if enabled) is cleared. A write of 0 has no effect.

#### UART Interrupt Clear (UARTICR)

UART0 base: 0x4000.C000  
 UART1 base: 0x4000.D000  
 UART2 base: 0x4000.E000  
 Offset 0x044  
 Type W1C, reset 0x0000.0000



| Bit/Field | Name     | Type | Reset | Description   |
|-----------|----------|------|-------|---|
| 31:11     | reserved | RO   | 0x00  | Software should not rely on the value of a reserved bit. To provide compatibility with future products, the value of a reserved bit should be preserved across a read-modify-write operation. |
| 10        | OEIC     | W1C  | 0     | Overrun Error Interrupt Clear<br>The <b>OEIC</b> values are defined as follows:<br><br>Value Description<br>0 No effect on the interrupt.<br>1 Clears interrupt.                              |
| 9         | BEIC     | W1C  | 0     | Break Error Interrupt Clear<br>The <b>BEIC</b> values are defined as follows:<br><br>Value Description<br>0 No effect on the interrupt.<br>1 Clears interrupt.                                |
| 8         | PEIC     | W1C  | 0     | Parity Error Interrupt Clear<br>The <b>PEIC</b> values are defined as follows:<br><br>Value Description<br>0 No effect on the interrupt.<br>1 Clears interrupt.                               |

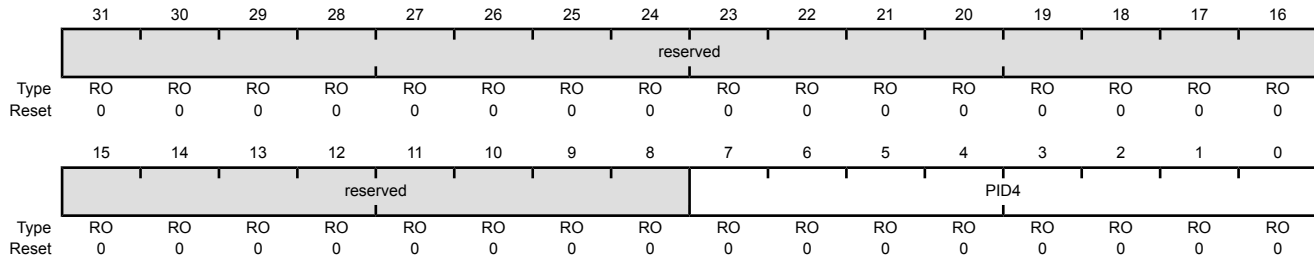
| Bit/Field | Name     | Type | Reset | Description   |
|-----------|----------|------|-------|---|
| 7         | FEIC     | W1C  | 0     | Framing Error Interrupt Clear<br>The FEIC values are defined as follows:<br>Value Description<br>0 No effect on the interrupt.<br>1 Clears interrupt.   |
| 6         | RTIC     | W1C  | 0     | Receive Time-Out Interrupt Clear<br>The RTIC values are defined as follows:<br>Value Description<br>0 No effect on the interrupt.<br>1 Clears interrupt.                                      |
| 5         | TXIC     | W1C  | 0     | Transmit Interrupt Clear<br>The TXIC values are defined as follows:<br>Value Description<br>0 No effect on the interrupt.<br>1 Clears interrupt.  |
| 4         | RXIC     | W1C  | 0     | Receive Interrupt Clear<br>The RXIC values are defined as follows:<br>Value Description<br>0 No effect on the interrupt.<br>1 Clears interrupt.   |
| 3:0       | reserved | RO   | 0x00  | Software should not rely on the value of a reserved bit. To provide compatibility with future products, the value of a reserved bit should be preserved across a read-modify-write operation. |

### Register 14: UART Peripheral Identification 4 (UARTPeriphID4), offset 0xFD0

The **UARTPeriphIDn** registers are hard-coded and the fields within the registers determine the reset values.

#### UART Peripheral Identification 4 (UARTPeriphID4)

UART0 base: 0x4000.C000  
 UART1 base: 0x4000.D000  
 UART2 base: 0x4000.E000  
 Offset 0xFD0  
 Type RO, reset 0x0000.0000



| Bit/Field | Name     | Type | Reset  | Description   |
|-----------|----------|------|--------|---|
| 31:8      | reserved | RO   | 0x00   | Software should not rely on the value of a reserved bit. To provide compatibility with future products, the value of a reserved bit should be preserved across a read-modify-write operation. |
| 7:0       | PID4     | RO   | 0x0000 | UART Peripheral ID Register[7:0]<br><br>Can be used by software to identify the presence of this peripheral.  |

**Register 15: UART Peripheral Identification 5 (UARTPeriphID5), offset 0xFD4**

The **UARTPeriphIDn** registers are hard-coded and the fields within the registers determine the reset values.

## UART Peripheral Identification 5 (UARTPeriphID5)

UART0 base: 0x4000.C000

UART1 base: 0x4000.D000

UART2 base: 0x4000.E000

Offset 0xFD4

Type RO, reset 0x0000.0000

|       |          |    |    |    |    |    |    |    |      |    |    |    |    |    |    |    |
|-------|----------|----|----|----|----|----|----|----|------|----|----|----|----|----|----|----|
|       | 31       | 30 | 29 | 28 | 27 | 26 | 25 | 24 | 23   | 22 | 21 | 20 | 19 | 18 | 17 | 16 |
|       | reserved |    |    |    |    |    |    |    |      |    |    |    |    |    |    |    |
| Type  | RO       | RO | RO | RO | RO | RO | RO | RO | RO   | RO | RO | RO | RO | RO | RO | RO |
| Reset | 0        | 0  | 0  | 0  | 0  | 0  | 0  | 0  | 0    | 0  | 0  | 0  | 0  | 0  | 0  | 0  |
|       | 15       | 14 | 13 | 12 | 11 | 10 | 9  | 8  | 7    | 6  | 5  | 4  | 3  | 2  | 1  | 0  |
|       | reserved |    |    |    |    |    |    |    | PID5 |    |    |    |    |    |    |    |
| Type  | RO       | RO | RO | RO | RO | RO | RO | RO | RO   | RO | RO | RO | RO | RO | RO | RO |
| Reset | 0        | 0  | 0  | 0  | 0  | 0  | 0  | 0  | 0    | 0  | 0  | 0  | 0  | 0  | 0  | 0  |

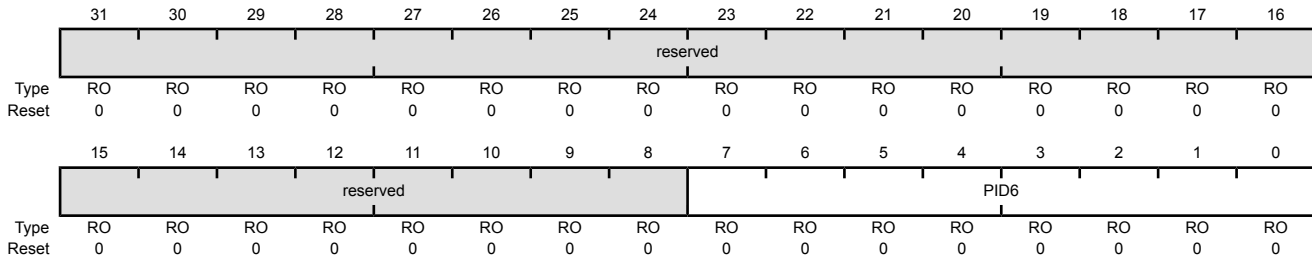
| Bit/Field | Name     | Type | Reset  | Description   |
|-----------|----------|------|--------|---|
| 31:8      | reserved | RO   | 0x00   | Software should not rely on the value of a reserved bit. To provide compatibility with future products, the value of a reserved bit should be preserved across a read-modify-write operation. |
| 7:0       | PID5     | RO   | 0x0000 | UART Peripheral ID Register[15:8]<br>Can be used by software to identify the presence of this peripheral.   |

### Register 16: UART Peripheral Identification 6 (UARTPeriphID6), offset 0xFD8

The **UARTPeriphIDn** registers are hard-coded and the fields within the registers determine the reset values.

#### UART Peripheral Identification 6 (UARTPeriphID6)

UART0 base: 0x4000.C000  
 UART1 base: 0x4000.D000  
 UART2 base: 0x4000.E000  
 Offset 0xFD8  
 Type RO, reset 0x0000.0000



| Bit/Field | Name     | Type | Reset  | Description   |
|-----------|----------|------|--------|---|
| 31:8      | reserved | RO   | 0x00   | Software should not rely on the value of a reserved bit. To provide compatibility with future products, the value of a reserved bit should be preserved across a read-modify-write operation. |
| 7:0       | PID6     | RO   | 0x0000 | UART Peripheral ID Register[23:16]<br><br>Can be used by software to identify the presence of this peripheral.  |

**Register 17: UART Peripheral Identification 7 (UARTPeriphID7), offset 0xFDC**

The **UARTPeriphIDn** registers are hard-coded and the fields within the registers determine the reset values.

## UART Peripheral Identification 7 (UARTPeriphID7)

UART0 base: 0x4000.C000

UART1 base: 0x4000.D000

UART2 base: 0x4000.E000

Offset 0xFDC

Type RO, reset 0x0000.0000

|       |          |    |    |    |    |    |    |    |      |    |    |    |    |    |    |    |
|-------|----------|----|----|----|----|----|----|----|------|----|----|----|----|----|----|----|
|       | 31       | 30 | 29 | 28 | 27 | 26 | 25 | 24 | 23   | 22 | 21 | 20 | 19 | 18 | 17 | 16 |
|       | reserved |    |    |    |    |    |    |    |      |    |    |    |    |    |    |    |
| Type  | RO       | RO | RO | RO | RO | RO | RO | RO | RO   | RO | RO | RO | RO | RO | RO | RO |
| Reset | 0        | 0  | 0  | 0  | 0  | 0  | 0  | 0  | 0    | 0  | 0  | 0  | 0  | 0  | 0  | 0  |
|       | 15       | 14 | 13 | 12 | 11 | 10 | 9  | 8  | 7    | 6  | 5  | 4  | 3  | 2  | 1  | 0  |
|       | reserved |    |    |    |    |    |    |    | PID7 |    |    |    |    |    |    |    |
| Type  | RO       | RO | RO | RO | RO | RO | RO | RO | RO   | RO | RO | RO | RO | RO | RO | RO |
| Reset | 0        | 0  | 0  | 0  | 0  | 0  | 0  | 0  | 0    | 0  | 0  | 0  | 0  | 0  | 0  | 0  |

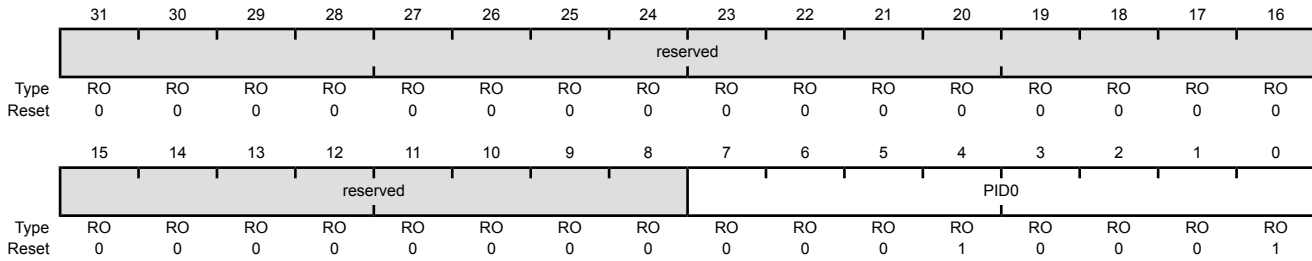
| Bit/Field | Name     | Type | Reset  | Description   |
|-----------|----------|------|--------|---|
| 31:8      | reserved | RO   | 0      | Software should not rely on the value of a reserved bit. To provide compatibility with future products, the value of a reserved bit should be preserved across a read-modify-write operation. |
| 7:0       | PID7     | RO   | 0x0000 | UART Peripheral ID Register[31:24]<br>Can be used by software to identify the presence of this peripheral.  |

### Register 18: UART Peripheral Identification 0 (UARTPeriphID0), offset 0xFE0

The **UARTPeriphIDn** registers are hard-coded and the fields within the registers determine the reset values.

#### UART Peripheral Identification 0 (UARTPeriphID0)

UART0 base: 0x4000.C000  
 UART1 base: 0x4000.D000  
 UART2 base: 0x4000.E000  
 Offset 0xFE0  
 Type RO, reset 0x0000.0011



| Bit/Field | Name     | Type | Reset | Description   |
|-----------|----------|------|-------|---|
| 31:8      | reserved | RO   | 0x00  | Software should not rely on the value of a reserved bit. To provide compatibility with future products, the value of a reserved bit should be preserved across a read-modify-write operation. |
| 7:0       | PID0     | RO   | 0x11  | UART Peripheral ID Register[7:0]<br><br>Can be used by software to identify the presence of this peripheral.  |



**Register 19: UART Peripheral Identification 1 (UARTPeriphID1), offset 0xFE4**

The **UARTPeriphIDn** registers are hard-coded and the fields within the registers determine the reset values.

## UART Peripheral Identification 1 (UARTPeriphID1)

UART0 base: 0x4000.C000

UART1 base: 0x4000.D000

UART2 base: 0x4000.E000

Offset 0xFE4

Type RO, reset 0x0000.0000

|       |          |    |    |    |    |    |    |    |      |    |    |    |    |    |    |    |
|-------|----------|----|----|----|----|----|----|----|------|----|----|----|----|----|----|----|
|       | 31       | 30 | 29 | 28 | 27 | 26 | 25 | 24 | 23   | 22 | 21 | 20 | 19 | 18 | 17 | 16 |
|       | reserved |    |    |    |    |    |    |    |      |    |    |    |    |    |    |    |
| Type  | RO       | RO | RO | RO | RO | RO | RO | RO | RO   | RO | RO | RO | RO | RO | RO | RO |
| Reset | 0        | 0  | 0  | 0  | 0  | 0  | 0  | 0  | 0    | 0  | 0  | 0  | 0  | 0  | 0  | 0  |
|       | 15       | 14 | 13 | 12 | 11 | 10 | 9  | 8  | 7    | 6  | 5  | 4  | 3  | 2  | 1  | 0  |
|       | reserved |    |    |    |    |    |    |    | PID1 |    |    |    |    |    |    |    |
| Type  | RO       | RO | RO | RO | RO | RO | RO | RO | RO   | RO | RO | RO | RO | RO | RO | RO |
| Reset | 0        | 0  | 0  | 0  | 0  | 0  | 0  | 0  | 0    | 0  | 0  | 0  | 0  | 0  | 0  | 0  |

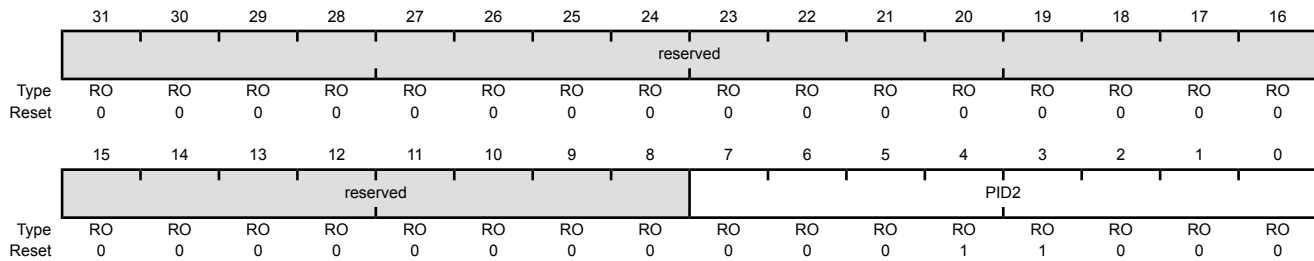
| Bit/Field | Name     | Type | Reset | Description   |
|-----------|----------|------|-------|---|
| 31:8      | reserved | RO   | 0x00  | Software should not rely on the value of a reserved bit. To provide compatibility with future products, the value of a reserved bit should be preserved across a read-modify-write operation. |
| 7:0       | PID1     | RO   | 0x00  | UART Peripheral ID Register[15:8]<br>Can be used by software to identify the presence of this peripheral.   |

## Register 20: UART Peripheral Identification 2 (UARTPeriphID2), offset 0xFE8

The **UARTPeriphIDn** registers are hard-coded and the fields within the registers determine the reset values.

### UART Peripheral Identification 2 (UARTPeriphID2)

UART0 base: 0x4000.C000  
 UART1 base: 0x4000.D000  
 UART2 base: 0x4000.E000  
 Offset 0xFE8  
 Type RO, reset 0x0000.0018



| Bit/Field | Name     | Type | Reset | Description   |
|-----------|----------|------|-------|---|
| 31:8      | reserved | RO   | 0x00  | Software should not rely on the value of a reserved bit. To provide compatibility with future products, the value of a reserved bit should be preserved across a read-modify-write operation. |
| 7:0       | PID2     | RO   | 0x18  | UART Peripheral ID Register[23:16]<br><br>Can be used by software to identify the presence of this peripheral.  |

**Register 21: UART Peripheral Identification 3 (UARTPeriphID3), offset 0xFEC**

The **UARTPeriphIDn** registers are hard-coded and the fields within the registers determine the reset values.

## UART Peripheral Identification 3 (UARTPeriphID3)

UART0 base: 0x4000.C000

UART1 base: 0x4000.D000

UART2 base: 0x4000.E000

Offset 0xFEC

Type RO, reset 0x0000.0001

|       |          |    |    |    |    |    |    |    |      |    |    |    |    |    |    |    |
|-------|----------|----|----|----|----|----|----|----|------|----|----|----|----|----|----|----|
|       | 31       | 30 | 29 | 28 | 27 | 26 | 25 | 24 | 23   | 22 | 21 | 20 | 19 | 18 | 17 | 16 |
|       | reserved |    |    |    |    |    |    |    |      |    |    |    |    |    |    |    |
| Type  | RO       | RO | RO | RO | RO | RO | RO | RO | RO   | RO | RO | RO | RO | RO | RO | RO |
| Reset | 0        | 0  | 0  | 0  | 0  | 0  | 0  | 0  | 0    | 0  | 0  | 0  | 0  | 0  | 0  | 0  |
|       | 15       | 14 | 13 | 12 | 11 | 10 | 9  | 8  | 7    | 6  | 5  | 4  | 3  | 2  | 1  | 0  |
|       | reserved |    |    |    |    |    |    |    | PID3 |    |    |    |    |    |    |    |
| Type  | RO       | RO | RO | RO | RO | RO | RO | RO | RO   | RO | RO | RO | RO | RO | RO | RO |
| Reset | 0        | 0  | 0  | 0  | 0  | 0  | 0  | 0  | 0    | 0  | 0  | 0  | 0  | 0  | 0  | 1  |

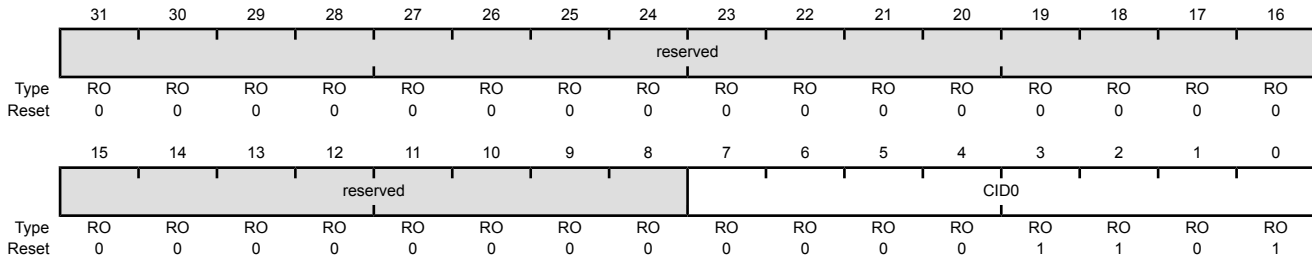
| Bit/Field | Name     | Type | Reset | Description   |
|-----------|----------|------|-------|---|
| 31:8      | reserved | RO   | 0x00  | Software should not rely on the value of a reserved bit. To provide compatibility with future products, the value of a reserved bit should be preserved across a read-modify-write operation. |
| 7:0       | PID3     | RO   | 0x01  | UART Peripheral ID Register[31:24]<br>Can be used by software to identify the presence of this peripheral.  |

## Register 22: UART PrimeCell Identification 0 (UARTPCellID0), offset 0xFF0

The **UARTPCellIDn** registers are hard-coded and the fields within the registers determine the reset values.

### UART PrimeCell Identification 0 (UARTPCellID0)

UART0 base: 0x4000.C000  
 UART1 base: 0x4000.D000  
 UART2 base: 0x4000.E000  
 Offset 0xFF0  
 Type RO, reset 0x0000.000D



| Bit/Field | Name     | Type | Reset | Description   |
|-----------|----------|------|-------|---|
| 31:8      | reserved | RO   | 0x00  | Software should not rely on the value of a reserved bit. To provide compatibility with future products, the value of a reserved bit should be preserved across a read-modify-write operation. |
| 7:0       | CID0     | RO   | 0x0D  | UART PrimeCell ID Register[7:0]<br>Provides software a standard cross-peripheral identification system.   |

**Register 23: UART PrimeCell Identification 1 (UARTPCellID1), offset 0xFF4**

The **UARTPCellIDn** registers are hard-coded and the fields within the registers determine the reset values.

## UART PrimeCell Identification 1 (UARTPCellID1)

UART0 base: 0x4000.C000

UART1 base: 0x4000.D000

UART2 base: 0x4000.E000

Offset 0xFF4

Type RO, reset 0x0000.00F0

|       |          |    |    |    |    |    |    |    |      |    |    |    |    |    |    |    |
|-------|----------|----|----|----|----|----|----|----|------|----|----|----|----|----|----|----|
|       | 31       | 30 | 29 | 28 | 27 | 26 | 25 | 24 | 23   | 22 | 21 | 20 | 19 | 18 | 17 | 16 |
|       | reserved |    |    |    |    |    |    |    |      |    |    |    |    |    |    |    |
| Type  | RO       | RO | RO | RO | RO | RO | RO | RO | RO   | RO | RO | RO | RO | RO | RO | RO |
| Reset | 0        | 0  | 0  | 0  | 0  | 0  | 0  | 0  | 0    | 0  | 0  | 0  | 0  | 0  | 0  | 0  |
|       | 15       | 14 | 13 | 12 | 11 | 10 | 9  | 8  | 7    | 6  | 5  | 4  | 3  | 2  | 1  | 0  |
|       | reserved |    |    |    |    |    |    |    | CID1 |    |    |    |    |    |    |    |
| Type  | RO       | RO | RO | RO | RO | RO | RO | RO | RO   | RO | RO | RO | RO | RO | RO | RO |
| Reset | 0        | 0  | 0  | 0  | 0  | 0  | 0  | 0  | 1    | 1  | 1  | 1  | 0  | 0  | 0  | 0  |

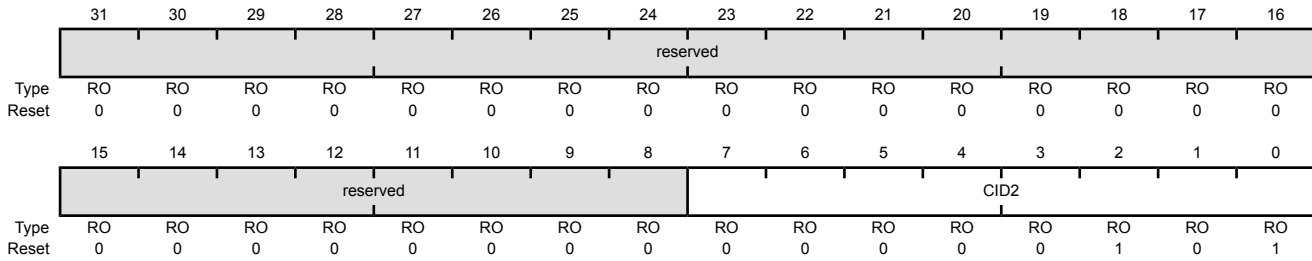
| Bit/Field | Name     | Type | Reset | Description   |
|-----------|----------|------|-------|---|
| 31:8      | reserved | RO   | 0x00  | Software should not rely on the value of a reserved bit. To provide compatibility with future products, the value of a reserved bit should be preserved across a read-modify-write operation. |
| 7:0       | CID1     | RO   | 0xF0  | UART PrimeCell ID Register[15:8]<br>Provides software a standard cross-peripheral identification system.  |

### Register 24: UART PrimeCell Identification 2 (UARTPCelIID2), offset 0xFF8

The **UARTPCelIIDn** registers are hard-coded and the fields within the registers determine the reset values.

#### UART PrimeCell Identification 2 (UARTPCelIID2)

UART0 base: 0x4000.C000  
 UART1 base: 0x4000.D000  
 UART2 base: 0x4000.E000  
 Offset 0xFF8  
 Type RO, reset 0x0000.0005



| Bit/Field | Name     | Type | Reset | Description   |
|-----------|----------|------|-------|---|
| 31:8      | reserved | RO   | 0x00  | Software should not rely on the value of a reserved bit. To provide compatibility with future products, the value of a reserved bit should be preserved across a read-modify-write operation. |
| 7:0       | CID2     | RO   | 0x05  | UART PrimeCell ID Register[23:16]<br>Provides software a standard cross-peripheral identification system.   |

**Register 25: UART PrimeCell Identification 3 (UARTPCellID3), offset 0xFFC**

The **UARTPCellIDn** registers are hard-coded and the fields within the registers determine the reset values.

## UART PrimeCell Identification 3 (UARTPCellID3)

UART0 base: 0x4000.C000  
 UART1 base: 0x4000.D000  
 UART2 base: 0x4000.E000  
 Offset 0xFFC  
 Type RO, reset 0x0000.00B1

|       |          |    |    |    |    |    |    |    |      |    |    |    |    |    |    |    |
|-------|----------|----|----|----|----|----|----|----|------|----|----|----|----|----|----|----|
|       | 31       | 30 | 29 | 28 | 27 | 26 | 25 | 24 | 23   | 22 | 21 | 20 | 19 | 18 | 17 | 16 |
|       | reserved |    |    |    |    |    |    |    |      |    |    |    |    |    |    |    |
| Type  | RO       | RO | RO | RO | RO | RO | RO | RO | RO   | RO | RO | RO | RO | RO | RO | RO |
| Reset | 0        | 0  | 0  | 0  | 0  | 0  | 0  | 0  | 0    | 0  | 0  | 0  | 0  | 0  | 0  | 0  |
|       | 15       | 14 | 13 | 12 | 11 | 10 | 9  | 8  | 7    | 6  | 5  | 4  | 3  | 2  | 1  | 0  |
|       | reserved |    |    |    |    |    |    |    | CID3 |    |    |    |    |    |    |    |
| Type  | RO       | RO | RO | RO | RO | RO | RO | RO | RO   | RO | RO | RO | RO | RO | RO | RO |
| Reset | 0        | 0  | 0  | 0  | 0  | 0  | 0  | 0  | 1    | 0  | 1  | 1  | 0  | 0  | 0  | 1  |

| Bit/Field | Name     | Type | Reset | Description   |
|-----------|----------|------|-------|---|
| 31:8      | reserved | RO   | 0x00  | Software should not rely on the value of a reserved bit. To provide compatibility with future products, the value of a reserved bit should be preserved across a read-modify-write operation. |
| 7:0       | CID3     | RO   | 0xB1  | UART PrimeCell ID Register[31:24]<br>Provides software a standard cross-peripheral identification system.   |

## 13 Synchronous Serial Interface (SSI)

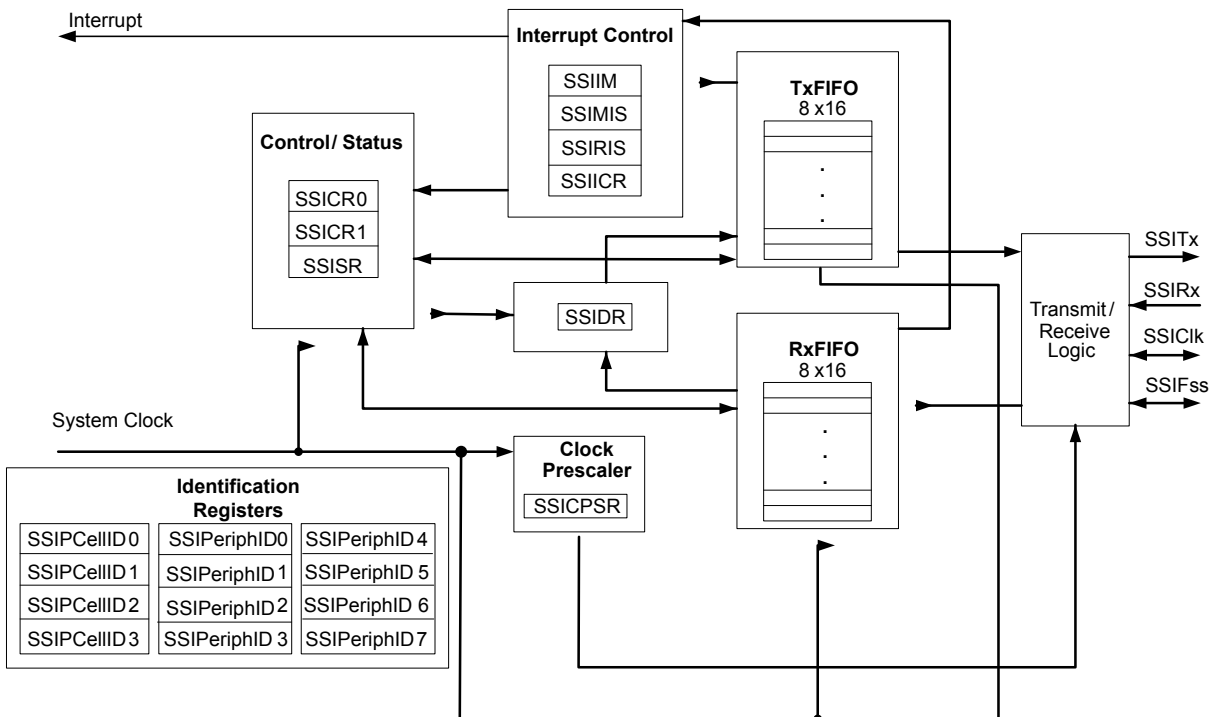
The Stellaris<sup>®</sup> microcontroller includes two Synchronous Serial Interface (SSI) modules. Each SSI is a master or slave interface for synchronous serial communication with peripheral devices that have either Freescale SPI, MICROWIRE, or Texas Instruments synchronous serial interfaces.

Each Stellaris<sup>®</sup> SSI module has the following features:

- Two SSI modules, each with the following features:
- Master or slave operation
- Programmable clock bit rate and prescale
- Separate transmit and receive FIFOs, 16 bits wide, 8 locations deep
- Programmable interface operation for Freescale SPI, MICROWIRE, or Texas Instruments synchronous serial interfaces
- Programmable data frame size from 4 to 16 bits
- Internal loopback test mode for diagnostic/debug testing

### 13.1 Block Diagram

Figure 13-1. SSI Module Block Diagram





## 13.2 Functional Description

The SSI performs serial-to-parallel conversion on data received from a peripheral device. The CPU accesses data, control, and status information. The transmit and receive paths are buffered with internal FIFO memories allowing up to eight 16-bit values to be stored independently in both transmit and receive modes.

### 13.2.1 Bit Rate Generation

The SSI includes a programmable bit rate clock divider and prescaler to generate the serial output clock. Bit rates are supported to 2 MHz and higher, although maximum bit rate is determined by peripheral devices.

The serial bit rate is derived by dividing down the input clock (FSysClk). The clock is first divided by an even prescale value CPDVS<sub>R</sub> from 2 to 254, which is programmed in the **SSI Clock Prescale (SSICPSR)** register (see page 331). The clock is further divided by a value from 1 to 256, which is  $1 + SCR$ , where SCR is the value programmed in the **SSI Control0 (SSICR0)** register (see page 324).

The frequency of the output clock SSIClk is defined by:

$$SSIClk = F_{SysClk} / (CPDVS_{R} * (1 + SCR))$$

**Note:** For master mode, the system clock must be at least two times faster than the SSIClk. For slave mode, the system clock must be at least 12 times faster than the SSIClk.

See “Synchronous Serial Interface (SSI)” on page 482 to view SSI timing parameters.

### 13.2.2 FIFO Operation

#### 13.2.2.1 Transmit FIFO

The common transmit FIFO is a 16-bit wide, 8-locations deep, first-in, first-out memory buffer. The CPU writes data to the FIFO by writing the **SSI Data (SSIDR)** register (see page 328), and data is stored in the FIFO until it is read out by the transmission logic.

When configured as a master or a slave, parallel data is written into the transmit FIFO prior to serial conversion and transmission to the attached slave or master, respectively, through the SSIT<sub>x</sub> pin.

In slave mode, the SSI transmits data each time the master initiates a transaction. If the transmit FIFO is empty and the master initiates, the slave transmits the 8th most recent value in the transmit FIFO. If less than 8 values have been written to the transmit FIFO since the SSI module clock was enabled using the SSI bit in the **RGCG1** register, then 0 is transmitted. Care should be taken to ensure that valid data is in the FIFO as needed. The SSI can be configured to generate an interrupt or a  $\mu$ DMA request when the FIFO is empty.

#### 13.2.2.2 Receive FIFO

The common receive FIFO is a 16-bit wide, 8-locations deep, first-in, first-out memory buffer. Received data from the serial interface is stored in the buffer until read out by the CPU, which accesses the read FIFO by reading the **SSIDR** register.

When configured as a master or slave, serial data received through the SSIR<sub>x</sub> pin is registered prior to parallel loading into the attached slave or master receive FIFO, respectively.

### 13.2.3 Interrupts

The SSI can generate interrupts when the following conditions are observed:

- Transmit FIFO service
- Receive FIFO service
- Receive FIFO time-out
- Receive FIFO overrun

All of the interrupt events are ORed together before being sent to the interrupt controller, so the SSI can only generate a single interrupt request to the controller at any given time. You can mask each of the four individual maskable interrupts by setting the appropriate bits in the **SSI Interrupt Mask (SSIIM)** register (see page 332). Setting the appropriate mask bit to 1 enables the interrupt.

Provision of the individual outputs, as well as a combined interrupt output, allows use of either a global interrupt service routine, or modular device drivers to handle interrupts. The transmit and receive dynamic dataflow interrupts have been separated from the status interrupts so that data can be read or written in response to the FIFO trigger levels. The status of the individual interrupt sources can be read from the **SSI Raw Interrupt Status (SSIRIS)** and **SSI Masked Interrupt Status (SSIMIS)** registers (see page 334 and page 335, respectively).

### 13.2.4 Frame Formats

Each data frame is between 4 and 16 bits long, depending on the size of data programmed, and is transmitted starting with the MSB. There are three basic frame types that can be selected:

- Texas Instruments synchronous serial
- Freescale SPI
- MICROWIRE

For all three formats, the serial clock (*SSIClk*) is held inactive while the SSI is idle, and *SSIClk* transitions at the programmed frequency only during active transmission or reception of data. The idle state of *SSIClk* is utilized to provide a receive timeout indication that occurs when the receive FIFO still contains data after a timeout period.

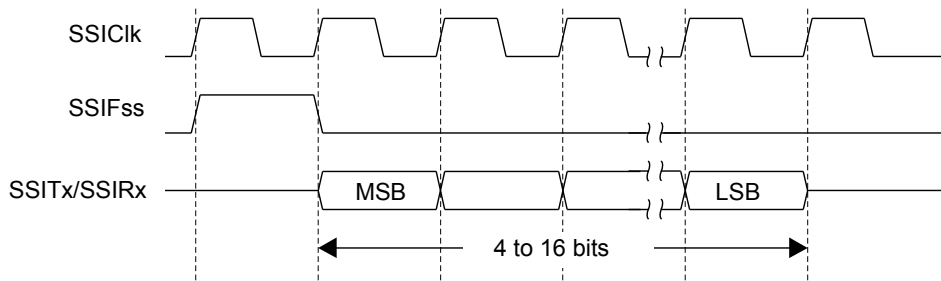
For Freescale SPI and MICROWIRE frame formats, the serial frame (*SSIFSS*) pin is active Low, and is asserted (pulled down) during the entire transmission of the frame.

For Texas Instruments synchronous serial frame format, the *SSIFSS* pin is pulsed for one serial clock period starting at its rising edge, prior to the transmission of each frame. For this frame format, both the SSI and the off-chip slave device drive their output data on the rising edge of *SSIClk*, and latch data from the other device on the falling edge.

Unlike the full-duplex transmission of the other two frame formats, the MICROWIRE format uses a special master-slave messaging technique, which operates at half-duplex. In this mode, when a frame begins, an 8-bit control message is transmitted to the off-chip slave. During this transmit, no incoming data is received by the SSI. After the message has been sent, the off-chip slave decodes it and, after waiting one serial clock after the last bit of the 8-bit control message has been sent, responds with the requested data. The returned data can be 4 to 16 bits in length, making the total frame length anywhere from 13 to 25 bits.

#### 13.2.4.1 Texas Instruments Synchronous Serial Frame Format

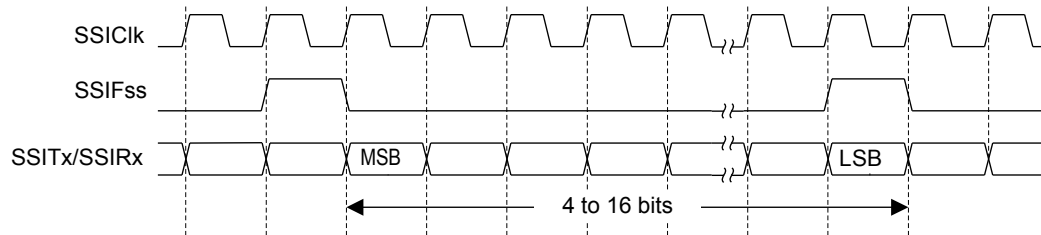
Figure 13-2 on page 315 shows the Texas Instruments synchronous serial frame format for a single transmitted frame.

**Figure 13-2. TI Synchronous Serial Frame Format (Single Transfer)**

In this mode, `SSIClk` and `SSIFss` are forced Low, and the transmit data line `SSITx` is tristated whenever the SSI is idle. Once the bottom entry of the transmit FIFO contains data, `SSIFss` is pulsed High for one `SSIClk` period. The value to be transmitted is also transferred from the transmit FIFO to the serial shifter of the transmit logic. On the next rising edge of `SSIClk`, the MSB of the 4 to 16-bit data frame is shifted out on the `SSITx` pin. Likewise, the MSB of the received data is shifted onto the `SSIRx` pin by the off-chip serial slave device.

Both the SSI and the off-chip serial slave device then clock each data bit into their serial shifter on the falling edge of each `SSIClk`. The received data is transferred from the serial shifter to the receive FIFO on the first rising edge of `SSIClk` after the LSB has been latched.

Figure 13-3 on page 315 shows the Texas Instruments synchronous serial frame format when back-to-back frames are transmitted.

**Figure 13-3. TI Synchronous Serial Frame Format (Continuous Transfer)**

#### 13.2.4.2 Freescale SPI Frame Format

The Freescale SPI interface is a four-wire interface where the `SSIFss` signal behaves as a slave select. The main feature of the Freescale SPI format is that the inactive state and phase of the `SSIClk` signal are programmable through the `SPO` and `SPH` bits within the `SSISCR0` control register.

##### **SPO Clock Polarity Bit**

When the `SPO` clock polarity control bit is Low, it produces a steady state Low value on the `SSIClk` pin. If the `SPO` bit is High, a steady state High value is placed on the `SSIClk` pin when data is not being transferred.

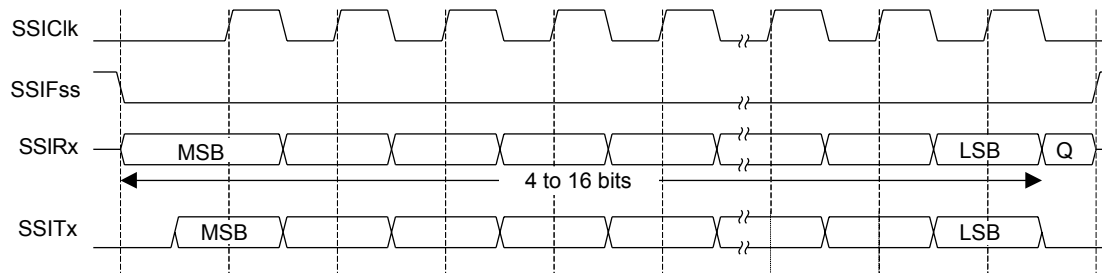
### SPH Phase Control Bit

The *SPH* phase control bit selects the clock edge that captures data and allows it to change state. It has the most impact on the first bit transmitted by either allowing or not allowing a clock transition before the first data capture edge. When the *SPH* phase control bit is Low, data is captured on the first clock edge transition. If the *SPH* bit is High, data is captured on the second clock edge transition.

#### 13.2.4.3 Freescale SPI Frame Format with SPO=0 and SPH=0

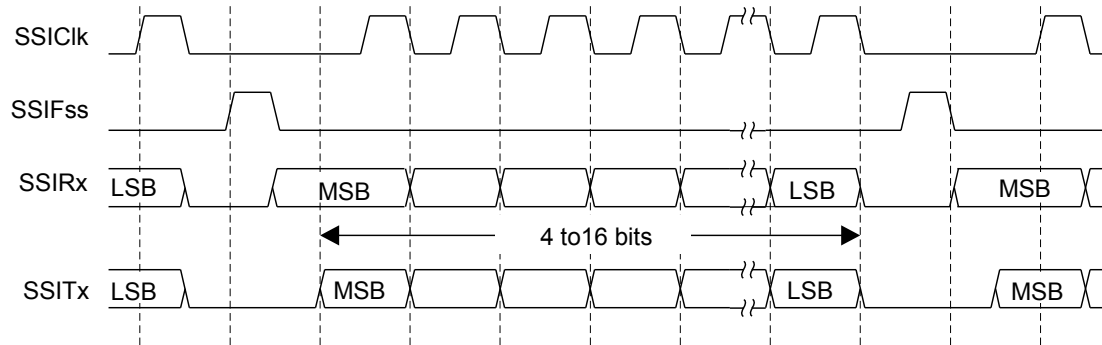
Single and continuous transmission signal sequences for Freescale SPI format with *SPO*=0 and *SPH*=0 are shown in Figure 13-4 on page 316 and Figure 13-5 on page 316.

**Figure 13-4. Freescale SPI Format (Single Transfer) with SPO=0 and SPH=0**



Note: Q is undefined.

**Figure 13-5. Freescale SPI Format (Continuous Transfer) with SPO=0 and SPH=0**



In this configuration, during idle periods:

- SSIClk is forced Low
- SSIFss is forced High
- The transmit data line SSITx is arbitrarily forced Low
- When the SSI is configured as a master, it enables the SSIClk pad
- When the SSI is configured as a slave, it disables the SSIClk pad

If the SSI is enabled and there is valid data within the transmit FIFO, the start of transmission is signified by the *SSIFss* master signal being driven Low. This causes slave data to be enabled onto the *SSIRx* input line of the master. The master *SSITx* output pad is enabled.

One half  $SSIClk$  period later, valid master data is transferred to the  $SSITx$  pin. Now that both the master and slave data have been set, the  $SSIClk$  master clock pin goes High after one further half  $SSIClk$  period.

The data is now captured on the rising and propagated on the falling edges of the  $SSIClk$  signal.

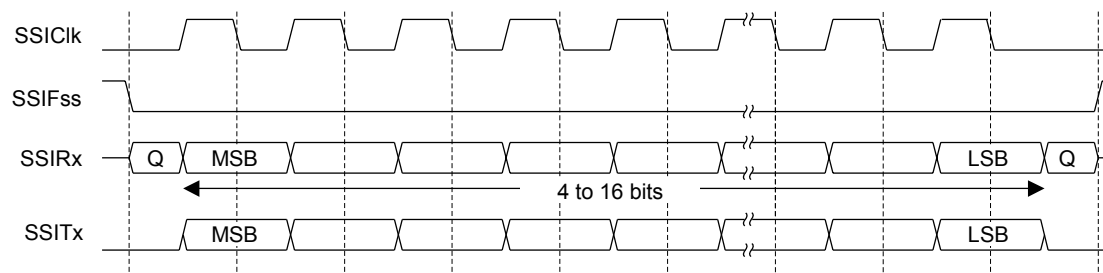
In the case of a single word transmission, after all bits of the data word have been transferred, the  $SSIFss$  line is returned to its idle High state one  $SSIClk$  period after the last bit has been captured.

However, in the case of continuous back-to-back transmissions, the  $SSIFss$  signal must be pulsed High between each data word transfer. This is because the slave select pin freezes the data in its serial peripheral register and does not allow it to be altered if the  $SPH$  bit is logic zero. Therefore, the master device must raise the  $SSIFss$  pin of the slave device between each data transfer to enable the serial peripheral data write. On completion of the continuous transfer, the  $SSIFss$  pin is returned to its idle state one  $SSIClk$  period after the last bit has been captured.

#### 13.2.4.4 Freescale SPI Frame Format with $SPO=0$ and $SPH=1$

The transfer signal sequence for Freescale SPI format with  $SPO=0$  and  $SPH=1$  is shown in Figure 13-6 on page 317, which covers both single and continuous transfers.

**Figure 13-6. Freescale SPI Frame Format with  $SPO=0$  and  $SPH=1$**



**Note:** Q is undefined.

In this configuration, during idle periods:

- $SSIClk$  is forced Low
- $SSIFss$  is forced High
- The transmit data line  $SSITx$  is arbitrarily forced Low
- When the SSI is configured as a master, it enables the  $SSIClk$  pad
- When the SSI is configured as a slave, it disables the  $SSIClk$  pad

If the SSI is enabled and there is valid data within the transmit FIFO, the start of transmission is signified by the  $SSIFss$  master signal being driven Low. The master  $SSITx$  output is enabled. After a further one half  $SSIClk$  period, both master and slave valid data is enabled onto their respective transmission lines. At the same time, the  $SSIClk$  is enabled with a rising edge transition.

Data is then captured on the falling edges and propagated on the rising edges of the  $SSIClk$  signal.

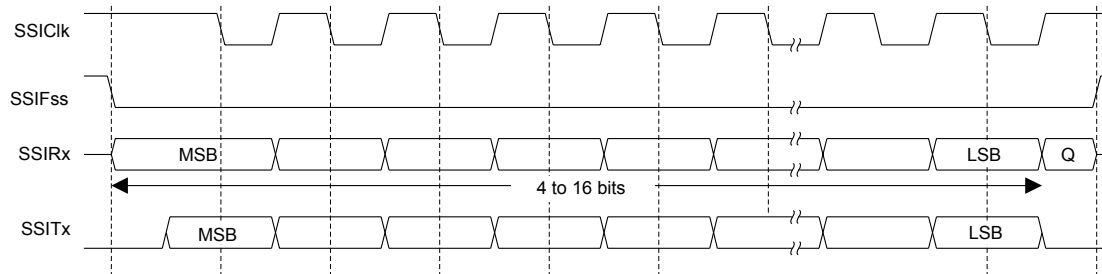
In the case of a single word transfer, after all bits have been transferred, the  $SSIFss$  line is returned to its idle High state one  $SSIClk$  period after the last bit has been captured.

For continuous back-to-back transfers, the  $SSIF_{SS}$  pin is held Low between successive data words and termination is the same as that of the single word transfer.

### 13.2.4.5 Freescale SPI Frame Format with SPO=1 and SPH=0

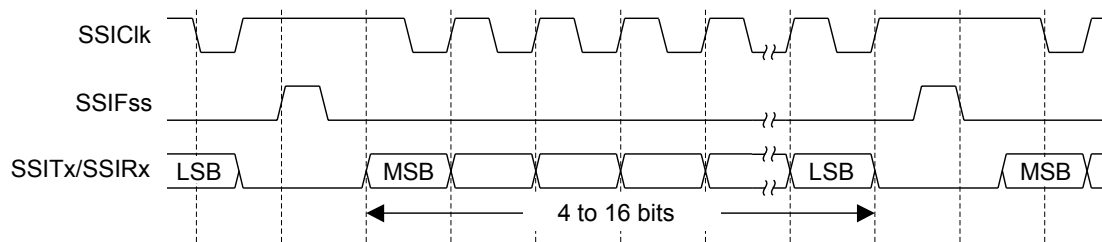
Single and continuous transmission signal sequences for Freescale SPI format with SPO=1 and SPH=0 are shown in Figure 13-7 on page 318 and Figure 13-8 on page 318.

**Figure 13-7. Freescale SPI Frame Format (Single Transfer) with SPO=1 and SPH=0**



**Note:** Q is undefined.

**Figure 13-8. Freescale SPI Frame Format (Continuous Transfer) with SPO=1 and SPH=0**



In this configuration, during idle periods:

- $SSIClk$  is forced High
- $SSIF_{SS}$  is forced High
- The transmit data line  $SSITx$  is arbitrarily forced Low
- When the SSI is configured as a master, it enables the  $SSIClk$  pad
- When the SSI is configured as a slave, it disables the  $SSIClk$  pad

If the SSI is enabled and there is valid data within the transmit FIFO, the start of transmission is signified by the  $SSIF_{SS}$  master signal being driven Low, which causes slave data to be immediately transferred onto the  $SSIRx$  line of the master. The master  $SSITx$  output pad is enabled.

One half period later, valid master data is transferred to the  $SSITx$  line. Now that both the master and slave data have been set, the  $SSIClk$  master clock pin becomes Low after one further half  $SSIClk$  period. This means that data is captured on the falling edges and propagated on the rising edges of the  $SSIClk$  signal.

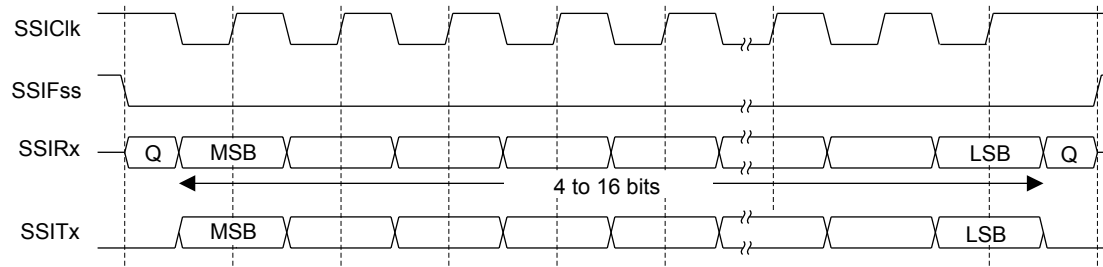
In the case of a single word transmission, after all bits of the data word are transferred, the  $SSIF_{SS}$  line is returned to its idle High state one  $SSIClk$  period after the last bit has been captured.

However, in the case of continuous back-to-back transmissions, the  $SSIF_{SS}$  signal must be pulsed High between each data word transfer. This is because the slave select pin freezes the data in its serial peripheral register and does not allow it to be altered if the  $SPH$  bit is logic zero. Therefore, the master device must raise the  $SSIF_{SS}$  pin of the slave device between each data transfer to enable the serial peripheral data write. On completion of the continuous transfer, the  $SSIF_{SS}$  pin is returned to its idle state one  $SSIClk$  period after the last bit has been captured.

#### 13.2.4.6 Freescale SPI Frame Format with $SPO=1$ and $SPH=1$

The transfer signal sequence for Freescale SPI format with  $SPO=1$  and  $SPH=1$  is shown in Figure 13-9 on page 319, which covers both single and continuous transfers.

**Figure 13-9. Freescale SPI Frame Format with  $SPO=1$  and  $SPH=1$**



**Note:** Q is undefined.

In this configuration, during idle periods:

- $SSIClk$  is forced High
- $SSIF_{SS}$  is forced High
- The transmit data line  $SSITx$  is arbitrarily forced Low
- When the SSI is configured as a master, it enables the  $SSIClk$  pad
- When the SSI is configured as a slave, it disables the  $SSIClk$  pad

If the SSI is enabled and there is valid data within the transmit FIFO, the start of transmission is signified by the  $SSIF_{SS}$  master signal being driven Low. The master  $SSITx$  output pad is enabled. After a further one-half  $SSIClk$  period, both master and slave data are enabled onto their respective transmission lines. At the same time,  $SSIClk$  is enabled with a falling edge transition. Data is then captured on the rising edges and propagated on the falling edges of the  $SSIClk$  signal.

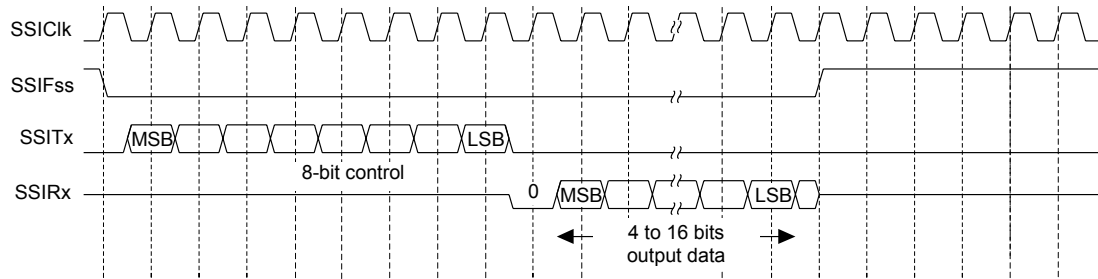
After all bits have been transferred, in the case of a single word transmission, the  $SSIF_{SS}$  line is returned to its idle high state one  $SSIClk$  period after the last bit has been captured.

For continuous back-to-back transmissions, the  $SSIF_{SS}$  pin remains in its active Low state, until the final bit of the last word has been captured, and then returns to its idle state as described above.

For continuous back-to-back transfers, the  $SSIF_{SS}$  pin is held Low between successive data words and termination is the same as that of the single word transfer.

#### 13.2.4.7 MICROWIRE Frame Format

Figure 13-10 on page 320 shows the MICROWIRE frame format, again for a single frame. Figure 13-11 on page 321 shows the same format when back-to-back frames are transmitted.

**Figure 13-10. MICROWIRE Frame Format (Single Frame)**

MICROWIRE format is very similar to SPI format, except that transmission is half-duplex instead of full-duplex, using a master-slave message passing technique. Each serial transmission begins with an 8-bit control word that is transmitted from the SSI to the off-chip slave device. During this transmission, no incoming data is received by the SSI. After the message has been sent, the off-chip slave decodes it and, after waiting one serial clock after the last bit of the 8-bit control message has been sent, responds with the required data. The returned data is 4 to 16 bits in length, making the total frame length anywhere from 13 to 25 bits.

In this configuration, during idle periods:

- SSIClk is forced Low
- SSIFss is forced High
- The transmit data line SSITx is arbitrarily forced Low

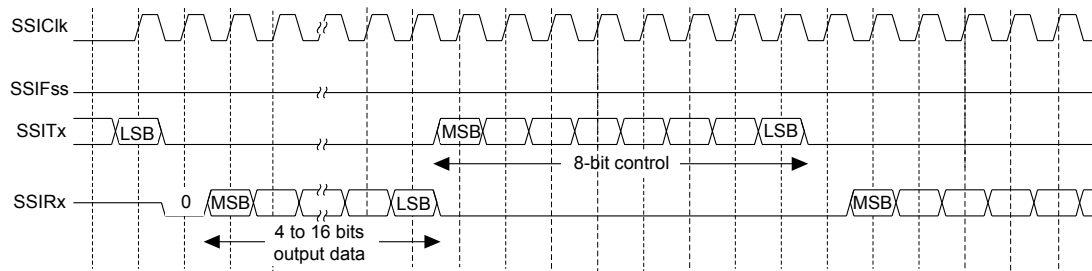
A transmission is triggered by writing a control byte to the transmit FIFO. The falling edge of SSIFss causes the value contained in the bottom entry of the transmit FIFO to be transferred to the serial shift register of the transmit logic, and the MSB of the 8-bit control frame to be shifted out onto the SSITx pin. SSIFss remains Low for the duration of the frame transmission. The SSIRx pin remains tristated during this transmission.

The off-chip serial slave device latches each control bit into its serial shifter on the rising edge of each SSIClk. After the last bit is latched by the slave device, the control byte is decoded during a one clock wait-state, and the slave responds by transmitting data back to the SSI. Each bit is driven onto the SSIRx line on the falling edge of SSIClk. The SSI in turn latches each bit on the rising edge of SSIClk. At the end of the frame, for single transfers, the SSIFss signal is pulled High one clock period after the last bit has been latched in the receive serial shifter, which causes the data to be transferred to the receive FIFO.

**Note:** The off-chip slave device can tristate the receive line either on the falling edge of SSIClk after the LSB has been latched by the receive shifter, or when the SSIFss pin goes High.

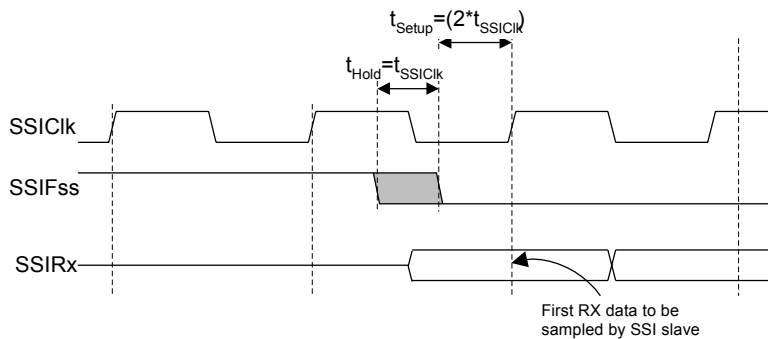
For continuous transfers, data transmission begins and ends in the same manner as a single transfer. However, the SSIFss line is continuously asserted (held Low) and transmission of data occurs back-to-back. The control byte of the next frame follows directly after the LSB of the received data from the current frame. Each of the received values is transferred from the receive shifter on the falling edge of SSIClk, after the LSB of the frame has been latched into the SSI.



**Figure 13-11. MICROWIRE Frame Format (Continuous Transfer)**

In the MICROWIRE mode, the SSI slave samples the first bit of receive data on the rising edge of SSIClk after SSIFss has gone Low. Masters that drive a free-running SSIClk must ensure that the SSIFss signal has sufficient setup and hold margins with respect to the rising edge of SSIClk.

Figure 13-12 on page 321 illustrates these setup and hold time requirements. With respect to the SSIClk rising edge on which the first bit of receive data is to be sampled by the SSI slave, SSIFss must have a setup of at least two times the period of SSIClk on which the SSI operates. With respect to the SSIClk rising edge previous to this edge, SSIFss must have a hold of at least one SSIClk period.

**Figure 13-12. MICROWIRE Frame Format, SSIFss Input Setup and Hold Requirements**

### 13.3 Initialization and Configuration

To use the SSI, its peripheral clock must be enabled by setting the SSI bit in the **RCGC1** register.

For each of the frame formats, the SSI is configured using the following steps:

1. Ensure that the SSE bit in the **SSICR1** register is disabled before making any configuration changes.
2. Select whether the SSI is a master or slave:
  - a. For master operations, set the **SSICR1** register to 0x0000.0000.
  - b. For slave mode (output enabled), set the **SSICR1** register to 0x0000.0004.
  - c. For slave mode (output disabled), set the **SSICR1** register to 0x0000.000C.
3. Configure the clock prescale divisor by writing the **SSICPSR** register.
4. Write the **SSICR0** register with the following configuration:

- Serial clock rate (SCR)
  - Desired clock phase/polarity, if using Freescale SPI mode (SPH and SPO)
  - The protocol mode: Freescale SPI, TI SSF, MICROWIRE (FRF)
  - The data size (DSS)
5. Enable the SSI by setting the SSE bit in the **SSICR1** register.

As an example, assume the SSI must be configured to operate with the following parameters:

- Master operation
- Freescale SPI mode (SPO=1, SPH=1)
- 1 Mbps bit rate
- 8 data bits

Assuming the system clock is 20 MHz, the bit rate calculation would be:

$$F_{SSIClk} = F_{SysClk} / (CPSDVSR * (1 + SCR))$$

$$1 \times 10^6 = 20 \times 10^6 / (CPSDVSR * (1 + SCR))$$

In this case, if CPSDVSR=2, SCR must be 9.

The configuration sequence would be as follows:

1. Ensure that the SSE bit in the **SSICR1** register is disabled.
2. Write the **SSICR1** register with a value of 0x0000.0000.
3. Write the **SSICPSR** register with a value of 0x0000.0002.
4. Write the **SSICR0** register with a value of 0x0000.09C7.
5. The SSI is then enabled by setting the SSE bit in the **SSICR1** register to 1.

## 13.4 Register Map

Table 13-1 on page 322 lists the SSI registers. The offset listed is a hexadecimal increment to the register's address, relative to that SSI module's base address:

- SSI0: 0x4000.8000
- SSI1: 0x4000.9000

**Note:** The SSI must be disabled (see the SSE bit in the **SSICR1** register) before any of the control registers are reprogrammed.

**Table 13-1. SSI Register Map**

| Offset | Name   | Type | Reset       | Description   | See page |
|--------|--------|------|-------------|---------------|----------|
| 0x000  | SSICR0 | R/W  | 0x0000.0000 | SSI Control 0 | 324      |

Table 13-1. SSI Register Map (continued)

| Offset | Name         | Type | Reset       | Description                     | See page |
|--------|--------------|------|-------------|---------------------------------|----------|
| 0x004  | SSICR1       | R/W  | 0x0000.0000 | SSI Control 1                   | 326      |
| 0x008  | SSIDR        | R/W  | 0x0000.0000 | SSI Data                        | 328      |
| 0x00C  | SSISR        | RO   | 0x0000.0003 | SSI Status                      | 329      |
| 0x010  | SSICPSR      | R/W  | 0x0000.0000 | SSI Clock Prescale              | 331      |
| 0x014  | SSIIM        | R/W  | 0x0000.0000 | SSI Interrupt Mask              | 332      |
| 0x018  | SSIRIS       | RO   | 0x0000.0008 | SSI Raw Interrupt Status        | 334      |
| 0x01C  | SSIMIS       | RO   | 0x0000.0000 | SSI Masked Interrupt Status     | 335      |
| 0x020  | SSIICR       | W1C  | 0x0000.0000 | SSI Interrupt Clear             | 336      |
| 0xFD0  | SSIPeriphID4 | RO   | 0x0000.0000 | SSI Peripheral Identification 4 | 337      |
| 0xFD4  | SSIPeriphID5 | RO   | 0x0000.0000 | SSI Peripheral Identification 5 | 338      |
| 0xFD8  | SSIPeriphID6 | RO   | 0x0000.0000 | SSI Peripheral Identification 6 | 339      |
| 0xFDC  | SSIPeriphID7 | RO   | 0x0000.0000 | SSI Peripheral Identification 7 | 340      |
| 0xFE0  | SSIPeriphID0 | RO   | 0x0000.0022 | SSI Peripheral Identification 0 | 341      |
| 0xFE4  | SSIPeriphID1 | RO   | 0x0000.0000 | SSI Peripheral Identification 1 | 342      |
| 0xFE8  | SSIPeriphID2 | RO   | 0x0000.0018 | SSI Peripheral Identification 2 | 343      |
| 0xFEC  | SSIPeriphID3 | RO   | 0x0000.0001 | SSI Peripheral Identification 3 | 344      |
| 0xFF0  | SSIPCellIID0 | RO   | 0x0000.000D | SSI PrimeCell Identification 0  | 345      |
| 0xFF4  | SSIPCellIID1 | RO   | 0x0000.00F0 | SSI PrimeCell Identification 1  | 346      |
| 0xFF8  | SSIPCellIID2 | RO   | 0x0000.0005 | SSI PrimeCell Identification 2  | 347      |
| 0xFFC  | SSIPCellIID3 | RO   | 0x0000.00B1 | SSI PrimeCell Identification 3  | 348      |

## 13.5 Register Descriptions

The remainder of this section lists and describes the SSI registers, in numerical order by address offset.

**Register 1: SSI Control 0 (SSICR0), offset 0x000**

**SSICR0** is control register 0 and contains bit fields that control various functions within the SSI module. Functionality such as protocol mode, clock rate, and data size are configured in this register.

## SSI Control 0 (SSICR0)

SSI0 base: 0x4000.8000  
 SSI1 base: 0x4000.9000  
 Offset 0x000  
 Type R/W, reset 0x0000.0000

|       |          |     |     |     |     |     |     |     |     |     |     |     |     |     |     |     |
|-------|----------|-----|-----|-----|-----|-----|-----|-----|-----|-----|-----|-----|-----|-----|-----|-----|
|       | 31       | 30  | 29  | 28  | 27  | 26  | 25  | 24  | 23  | 22  | 21  | 20  | 19  | 18  | 17  | 16  |
|       | reserved |     |     |     |     |     |     |     |     |     |     |     |     |     |     |     |
| Type  | RO       | RO  | RO  | RO  | RO  | RO  | RO  | RO  | RO  | RO  | RO  | RO  | RO  | RO  | RO  | RO  |
| Reset | 0        | 0   | 0   | 0   | 0   | 0   | 0   | 0   | 0   | 0   | 0   | 0   | 0   | 0   | 0   | 0   |
|       | 15       | 14  | 13  | 12  | 11  | 10  | 9   | 8   | 7   | 6   | 5   | 4   | 3   | 2   | 1   | 0   |
|       | SCR      |     |     |     |     |     |     |     | SPH | SPO | FRF |     | DSS |     |     |     |
| Type  | R/W      | R/W | R/W | R/W | R/W | R/W | R/W | R/W | R/W | R/W | R/W | R/W | R/W | R/W | R/W | R/W |
| Reset | 0        | 0   | 0   | 0   | 0   | 0   | 0   | 0   | 0   | 0   | 0   | 0   | 0   | 0   | 0   | 0   |

| Bit/Field | Name     | Type | Reset  | Description   |
|-----------|----------|------|--------|---|
| 31:16     | reserved | RO   | 0x00   | Software should not rely on the value of a reserved bit. To provide compatibility with future products, the value of a reserved bit should be preserved across a read-modify-write operation.   |
| 15:8      | SCR      | R/W  | 0x0000 | SSI Serial Clock Rate<br><br>The value <i>SCR</i> is used to generate the transmit and receive bit rate of the SSI. The bit rate is:<br><br>$BR = FSSIClk / (CPSDVSr * (1 + SCR))$<br><br>where <i>CPSDVSr</i> is an even value from 2-254 programmed in the <b>SSICPSR</b> register, and <i>SCR</i> is a value from 0-255.   |
| 7         | SPH      | R/W  | 0      | SSI Serial Clock Phase<br><br>This bit is only applicable to the Freescale SPI Format.<br><br>The <i>SPH</i> control bit selects the clock edge that captures data and allows it to change state. It has the most impact on the first bit transmitted by either allowing or not allowing a clock transition before the first data capture edge.<br><br>When the <i>SPH</i> bit is 0, data is captured on the first clock edge transition. If <i>SPH</i> is 1, data is captured on the second clock edge transition. |
| 6         | SPO      | R/W  | 0      | SSI Serial Clock Polarity<br><br>This bit is only applicable to the Freescale SPI Format.<br><br>When the <i>SPO</i> bit is 0, it produces a steady state Low value on the <i>SSIClk</i> pin. If <i>SPO</i> is 1, a steady state High value is placed on the <i>SSIClk</i> pin when data is not being transferred.  |

| Bit/Field | Name | Type | Reset | Description   |
|-----------|------|------|-------|---|
| 5:4       | FRF  | R/W  | 0x0   | SSI Frame Format Select<br>The FRF values are defined as follows:<br><br>Value    Frame Format<br>0x0    Freescale SPI Frame Format<br>0x1    Texas Instruments Synchronous Serial Frame Format<br>0x2    MICROWIRE Frame Format<br>0x3    Reserved   |
| 3:0       | DSS  | R/W  | 0x00  | SSI Data Size Select<br>The DSS values are defined as follows:<br><br>Value    Data Size<br>0x0-0x2    Reserved<br>0x3    4-bit data<br>0x4    5-bit data<br>0x5    6-bit data<br>0x6    7-bit data<br>0x7    8-bit data<br>0x8    9-bit data<br>0x9    10-bit data<br>0xA    11-bit data<br>0xB    12-bit data<br>0xC    13-bit data<br>0xD    14-bit data<br>0xE    15-bit data<br>0xF    16-bit data |

**Register 2: SSI Control 1 (SSICR1), offset 0x004**

**SSICR1** is control register 1 and contains bit fields that control various functions within the SSI module. Master and slave mode functionality is controlled by this register.

## SSI Control 1 (SSICR1)

SSI0 base: 0x4000.8000  
 SSI1 base: 0x4000.9000  
 Offset 0x004  
 Type R/W, reset 0x0000.0000

|       |          |    |    |    |    |    |    |    |    |    |    |    |     |     |     |     |     |
|-------|----------|----|----|----|----|----|----|----|----|----|----|----|-----|-----|-----|-----|-----|
|       | 31       | 30 | 29 | 28 | 27 | 26 | 25 | 24 | 23 | 22 | 21 | 20 | 19  | 18  | 17  | 16  |     |
|       | reserved |    |    |    |    |    |    |    |    |    |    |    |     |     |     |     |     |
| Type  | RO       | RO | RO | RO | RO | RO | RO | RO | RO | RO | RO | RO | RO  | RO  | RO  | RO  |     |
| Reset | 0        | 0  | 0  | 0  | 0  | 0  | 0  | 0  | 0  | 0  | 0  | 0  | 0   | 0   | 0   | 0   |     |
|       | 15       | 14 | 13 | 12 | 11 | 10 | 9  | 8  | 7  | 6  | 5  | 4  | 3   | 2   | 1   | 0   |     |
|       | reserved |    |    |    |    |    |    |    |    |    |    |    | SOD | MS  | SSE | LBM |     |
| Type  | RO       | RO | RO | RO | RO | RO | RO | RO | RO | RO | RO | RO | RO  | R/W | R/W | R/W | R/W |
| Reset | 0        | 0  | 0  | 0  | 0  | 0  | 0  | 0  | 0  | 0  | 0  | 0  | 0   | 0   | 0   | 0   | 0   |

| Bit/Field | Name     | Type | Reset | Description   |
|-----------|----------|------|-------|---|
| 31:4      | reserved | RO   | 0x00  | Software should not rely on the value of a reserved bit. To provide compatibility with future products, the value of a reserved bit should be preserved across a read-modify-write operation. |

|   |     |     |   |   |
|---|-----|-----|---|---|
| 3 | SOD | R/W | 0 | SSI Slave Mode Output Disable<br><br>This bit is relevant only in the Slave mode ( $MS=1$ ). In multiple-slave systems, it is possible for the SSI master to broadcast a message to all slaves in the system while ensuring that only one slave drives data onto the serial output line. In such systems, the TXD lines from multiple slaves could be tied together. To operate in such a system, the SOD bit can be configured so that the SSI slave does not drive the SSITx pin. |
|---|-----|-----|---|---|

The SOD values are defined as follows:

| Value | Description  |
|-------|--|
| 0     | SSI can drive SSITx output in Slave Output mode.   |
| 1     | SSI must not drive the SSITx output in Slave mode. |

|   |    |     |   |   |
|---|----|-----|---|---|
| 2 | MS | R/W | 0 | SSI Master/Slave Select<br><br>This bit selects Master or Slave mode and can be modified only when SSI is disabled ( $SSE=0$ ). |
|---|----|-----|---|---|

The MS values are defined as follows:

| Value | Description                    |
|-------|--------------------------------|
| 0     | Device configured as a master. |
| 1     | Device configured as a slave.  |

| Bit/Field | Name  | Type | Reset | Description  |       |             |   |                                       |   |   |
|-----------|---|------|-------|--|-------|-------------|---|---------------------------------------|---|---|
| 1         | SSE   | R/W  | 0     | <p>SSI Synchronous Serial Port Enable</p> <p>Setting this bit enables SSI operation.</p> <p>The <code>SSE</code> values are defined as follows:</p> <table border="1"> <thead> <tr> <th>Value</th> <th>Description</th> </tr> </thead> <tbody> <tr> <td>0</td> <td>SSI operation disabled.</td> </tr> <tr> <td>1</td> <td>SSI operation enabled.</td> </tr> </tbody> </table> <p><b>Note:</b> This bit must be set to 0 before any control registers are reprogrammed.</p>       | Value | Description | 0 | SSI operation disabled.               | 1 | SSI operation enabled.  |
| Value     | Description   |      |       |  |       |             |   |                                       |   |   |
| 0         | SSI operation disabled.   |      |       |  |       |             |   |                                       |   |   |
| 1         | SSI operation enabled.  |      |       |  |       |             |   |                                       |   |   |
| 0         | LBM   | R/W  | 0     | <p>SSI Loopback Mode</p> <p>Setting this bit enables Loopback Test mode.</p> <p>The <code>LBM</code> values are defined as follows:</p> <table border="1"> <thead> <tr> <th>Value</th> <th>Description</th> </tr> </thead> <tbody> <tr> <td>0</td> <td>Normal serial port operation enabled.</td> </tr> <tr> <td>1</td> <td>Output of the transmit serial shift register is connected internally to the input of the receive serial shift register.</td> </tr> </tbody> </table> | Value | Description | 0 | Normal serial port operation enabled. | 1 | Output of the transmit serial shift register is connected internally to the input of the receive serial shift register. |
| Value     | Description   |      |       |  |       |             |   |                                       |   |   |
| 0         | Normal serial port operation enabled.   |      |       |  |       |             |   |                                       |   |   |
| 1         | Output of the transmit serial shift register is connected internally to the input of the receive serial shift register. |      |       |  |       |             |   |                                       |   |   |

### Register 3: SSI Data (SSIDR), offset 0x008

**Important:** Use caution when reading this register. Performing a read may change bit status.

**SSIDR** is the data register and is 16-bits wide. When **SSIDR** is read, the entry in the receive FIFO (pointed to by the current FIFO read pointer) is accessed. As data values are removed by the SSI receive logic from the incoming data frame, they are placed into the entry in the receive FIFO (pointed to by the current FIFO write pointer).

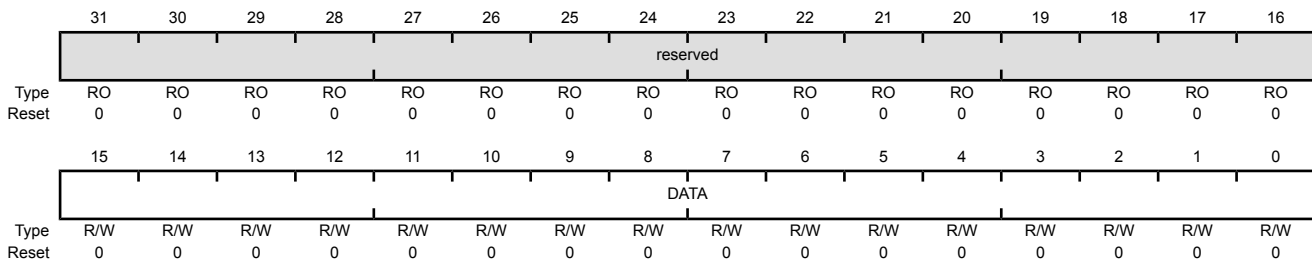
When **SSIDR** is written to, the entry in the transmit FIFO (pointed to by the write pointer) is written to. Data values are removed from the transmit FIFO one value at a time by the transmit logic. It is loaded into the transmit serial shifter, then serially shifted out onto the **SSITx** pin at the programmed bit rate.

When a data size of less than 16 bits is selected, the user must right-justify data written to the transmit FIFO. The transmit logic ignores the unused bits. Received data less than 16 bits is automatically right-justified in the receive buffer.

When the SSI is programmed for MICROWIRE frame format, the default size for transmit data is eight bits (the most significant byte is ignored). The receive data size is controlled by the programmer. The transmit FIFO and the receive FIFO are not cleared even when the **SSE** bit in the **SSICR1** register is set to zero. This allows the software to fill the transmit FIFO before enabling the SSI.

#### SSI Data (SSIDR)

SSI0 base: 0x4000.8000  
 SSI1 base: 0x4000.9000  
 Offset 0x008  
 Type R/W, reset 0x0000.0000



| Bit/Field | Name     | Type | Reset  | Description   |
|-----------|----------|------|--------|---|
| 31:16     | reserved | RO   | 0x0000 | Software should not rely on the value of a reserved bit. To provide compatibility with future products, the value of a reserved bit should be preserved across a read-modify-write operation.   |
| 15:0      | DATA     | R/W  | 0x0000 | SSI Receive/Transmit Data<br><br>A read operation reads the receive FIFO. A write operation writes the transmit FIFO.<br><br>Software must right-justify data when the SSI is programmed for a data size that is less than 16 bits. Unused bits at the top are ignored by the transmit logic. The receive logic automatically right-justifies the data. |



**Register 4: SSI Status (SSISR), offset 0x00C**

**SSISR** is a status register that contains bits that indicate the FIFO fill status and the SSI busy status.

**SSI Status (SSISR)**

SSI0 base: 0x4000.8000

SSI1 base: 0x4000.9000

Offset 0x00C

Type RO, reset 0x0000.0003

|       |          |    |    |    |    |    |    |    |    |    |    |    |     |     |     |     |     |
|-------|----------|----|----|----|----|----|----|----|----|----|----|----|-----|-----|-----|-----|-----|
|       | 31       | 30 | 29 | 28 | 27 | 26 | 25 | 24 | 23 | 22 | 21 | 20 | 19  | 18  | 17  | 16  |     |
|       | reserved |    |    |    |    |    |    |    |    |    |    |    |     |     |     |     |     |
| Type  | RO       | RO | RO | RO | RO | RO | RO | RO | RO | RO | RO | RO | RO  | RO  | RO  | RO  |     |
| Reset | 0        | 0  | 0  | 0  | 0  | 0  | 0  | 0  | 0  | 0  | 0  | 0  | 0   | 0   | 0   | 0   |     |
|       | 15       | 14 | 13 | 12 | 11 | 10 | 9  | 8  | 7  | 6  | 5  | 4  | 3   | 2   | 1   | 0   |     |
|       | reserved |    |    |    |    |    |    |    |    |    |    |    | BSY | RFF | RNE | TNF | TFE |
| Type  | RO       | RO | RO | RO | RO | RO | RO | RO | RO | RO | RO | RO | RO  | RO  | RO  | RO  |     |
| Reset | 0        | 0  | 0  | 0  | 0  | 0  | 0  | 0  | 0  | 0  | 0  | 0  | 0   | 0   | 1   | 1   |     |

| Bit/Field | Name     | Type | Reset | Description  |
|-----------|----------|------|-------|--|
| 31:5      | reserved | RO   | 0x00  | Software should not rely on the value of a reserved bit. To provide compatibility with future products, the value of a reserved bit should be preserved across a read-modify-write operation.                |
| 4         | BSY      | RO   | 0     | SSI Busy Bit<br><br>The <b>BSY</b> values are defined as follows:<br><br>Value Description<br>0 SSI is idle.<br>1 SSI is currently transmitting and/or receiving a frame, or the transmit FIFO is not empty. |
| 3         | RFF      | RO   | 0     | SSI Receive FIFO Full<br><br>The <b>RFF</b> values are defined as follows:<br><br>Value Description<br>0 Receive FIFO is not full.<br>1 Receive FIFO is full.  |
| 2         | RNE      | RO   | 0     | SSI Receive FIFO Not Empty<br><br>The <b>RNE</b> values are defined as follows:<br><br>Value Description<br>0 Receive FIFO is empty.<br>1 Receive FIFO is not empty.   |

| Bit/Field | Name | Type | Reset | Description  |
|-----------|------|------|-------|--|
| 1         | TNF  | RO   | 1     | SSI Transmit FIFO Not Full<br>The <b>TNF</b> values are defined as follows:<br><br>Value Description<br>0 Transmit FIFO is full.<br>1 Transmit FIFO is not full. |
| 0         | TFE  | RO   | 1     | SSI Transmit FIFO Empty<br>The <b>TFE</b> values are defined as follows:<br><br>Value Description<br>0 Transmit FIFO is not empty.<br>1 Transmit FIFO is empty.  |

## Register 5: SSI Clock Prescale (SSICPSR), offset 0x010

**SSICPSR** is the clock prescale register and specifies the division factor by which the system clock must be internally divided before further use.

The value programmed into this register must be an even number between 2 and 254. The least-significant bit of the programmed number is hard-coded to zero. If an odd number is written to this register, data read back from this register has the least-significant bit as zero.

### SSI Clock Prescale (SSICPSR)

SSI0 base: 0x4000.8000  
 SSI1 base: 0x4000.9000  
 Offset 0x010  
 Type R/W, reset 0x0000.0000

|       |          |    |    |    |    |    |    |    |         |     |     |     |     |     |     |     |
|-------|----------|----|----|----|----|----|----|----|---------|-----|-----|-----|-----|-----|-----|-----|
|       | 31       | 30 | 29 | 28 | 27 | 26 | 25 | 24 | 23      | 22  | 21  | 20  | 19  | 18  | 17  | 16  |
|       | reserved |    |    |    |    |    |    |    |         |     |     |     |     |     |     |     |
| Type  | RO       | RO | RO | RO | RO | RO | RO | RO | RO      | RO  | RO  | RO  | RO  | RO  | RO  | RO  |
| Reset | 0        | 0  | 0  | 0  | 0  | 0  | 0  | 0  | 0       | 0   | 0   | 0   | 0   | 0   | 0   | 0   |
|       | 15       | 14 | 13 | 12 | 11 | 10 | 9  | 8  | 7       | 6   | 5   | 4   | 3   | 2   | 1   | 0   |
|       | reserved |    |    |    |    |    |    |    | CPSDVSR |     |     |     |     |     |     |     |
| Type  | RO       | RO | RO | RO | RO | RO | RO | RO | R/W     | R/W | R/W | R/W | R/W | R/W | R/W | R/W |
| Reset | 0        | 0  | 0  | 0  | 0  | 0  | 0  | 0  | 0       | 0   | 0   | 0   | 0   | 0   | 0   | 0   |

| Bit/Field | Name     | Type | Reset | Description   |
|-----------|----------|------|-------|---|
| 31:8      | reserved | RO   | 0x00  | Software should not rely on the value of a reserved bit. To provide compatibility with future products, the value of a reserved bit should be preserved across a read-modify-write operation. |
| 7:0       | CPSDVSR  | R/W  | 0x00  | SSI Clock Prescale Divisor<br><br>This value must be an even number from 2 to 254, depending on the frequency of <code>SSIClk</code> . The LSB always returns 0 on reads.                     |

### Register 6: SSI Interrupt Mask (SSIIM), offset 0x014

The **SSIIM** register is the interrupt mask set or clear register. It is a read/write register and all bits are cleared to 0 on reset.

On a read, this register gives the current value of the mask on the relevant interrupt. A write of 1 to the particular bit sets the mask, enabling the interrupt to be read. A write of 0 clears the corresponding mask.

#### SSI Interrupt Mask (SSIIM)

SSI0 base: 0x4000.8000  
 SSI1 base: 0x4000.9000  
 Offset 0x014  
 Type R/W, reset 0x0000.0000

|       |          |    |    |    |    |    |    |    |    |    |    |    |    |      |      |      |       |
|-------|----------|----|----|----|----|----|----|----|----|----|----|----|----|------|------|------|-------|
|       | 31       | 30 | 29 | 28 | 27 | 26 | 25 | 24 | 23 | 22 | 21 | 20 | 19 | 18   | 17   | 16   |       |
|       | reserved |    |    |    |    |    |    |    |    |    |    |    |    |      |      |      |       |
| Type  | RO       | RO | RO | RO | RO | RO | RO | RO | RO | RO | RO | RO | RO | RO   | RO   | RO   |       |
| Reset | 0        | 0  | 0  | 0  | 0  | 0  | 0  | 0  | 0  | 0  | 0  | 0  | 0  | 0    | 0    | 0    |       |
|       | 15       | 14 | 13 | 12 | 11 | 10 | 9  | 8  | 7  | 6  | 5  | 4  | 3  | 2    | 1    | 0    |       |
|       | reserved |    |    |    |    |    |    |    |    |    |    |    |    | TXIM | RXIM | RTIM | RORIM |
| Type  | RO       | RO | RO | RO | RO | RO | RO | RO | RO | RO | RO | RO | RO | R/W  | R/W  | R/W  | R/W   |
| Reset | 0        | 0  | 0  | 0  | 0  | 0  | 0  | 0  | 0  | 0  | 0  | 0  | 0  | 0    | 0    | 0    |       |

| Bit/Field | Name     | Type | Reset | Description   |
|-----------|----------|------|-------|---|
| 31:4      | reserved | RO   | 0x00  | Software should not rely on the value of a reserved bit. To provide compatibility with future products, the value of a reserved bit should be preserved across a read-modify-write operation.   |
| 3         | TXIM     | R/W  | 0     | SSI Transmit FIFO Interrupt Mask<br>The <b>TXIM</b> values are defined as follows:<br>Value Description<br>0 TX FIFO half-full or less condition interrupt is masked.<br>1 TX FIFO half-full or less condition interrupt is not masked. |
| 2         | RXIM     | R/W  | 0     | SSI Receive FIFO Interrupt Mask<br>The <b>RXIM</b> values are defined as follows:<br>Value Description<br>0 RX FIFO half-full or more condition interrupt is masked.<br>1 RX FIFO half-full or more condition interrupt is not masked.  |
| 1         | RTIM     | R/W  | 0     | SSI Receive Time-Out Interrupt Mask<br>The <b>RTIM</b> values are defined as follows:<br>Value Description<br>0 RX FIFO time-out interrupt is masked.<br>1 RX FIFO time-out interrupt is not masked.                                    |

---

| Bit/Field | Name  | Type | Reset | Description   |
|-----------|-------|------|-------|---|
| 0         | RORIM | R/W  | 0     | SSI Receive Overrun Interrupt Mask<br>The RORIM values are defined as follows:<br><br>Value Description<br>0 RX FIFO overrun interrupt is masked.<br>1 RX FIFO overrun interrupt is not masked. |

### Register 7: SSI Raw Interrupt Status (SSIRIS), offset 0x018

The **SSIRIS** register is the raw interrupt status register. On a read, this register gives the current raw status value of the corresponding interrupt prior to masking. A write has no effect.

#### SSI Raw Interrupt Status (SSIRIS)

SSI0 base: 0x4000.8000  
 SSI1 base: 0x4000.9000  
 Offset 0x018  
 Type RO, reset 0x0000.0008

|       |          |    |    |    |    |    |    |    |    |    |    |    |    |       |       |       |        |
|-------|----------|----|----|----|----|----|----|----|----|----|----|----|----|-------|-------|-------|--------|
|       | 31       | 30 | 29 | 28 | 27 | 26 | 25 | 24 | 23 | 22 | 21 | 20 | 19 | 18    | 17    | 16    |        |
|       | reserved |    |    |    |    |    |    |    |    |    |    |    |    |       |       |       |        |
| Type  | RO       | RO | RO | RO | RO | RO | RO | RO | RO | RO | RO | RO | RO | RO    | RO    | RO    |        |
| Reset | 0        | 0  | 0  | 0  | 0  | 0  | 0  | 0  | 0  | 0  | 0  | 0  | 0  | 0     | 0     | 0     |        |
|       | 15       | 14 | 13 | 12 | 11 | 10 | 9  | 8  | 7  | 6  | 5  | 4  | 3  | 2     | 1     | 0     |        |
|       | reserved |    |    |    |    |    |    |    |    |    |    |    |    | TXRIS | RXRIS | RTRIS | RORRIS |
| Type  | RO       | RO | RO | RO | RO | RO | RO | RO | RO | RO | RO | RO | RO | RO    | RO    | RO    |        |
| Reset | 0        | 0  | 0  | 0  | 0  | 0  | 0  | 0  | 0  | 0  | 0  | 0  | 0  | 1     | 0     | 0     | 0      |

| Bit/Field | Name     | Type | Reset | Description   |
|-----------|----------|------|-------|---|
| 31:4      | reserved | RO   | 0x00  | Software should not rely on the value of a reserved bit. To provide compatibility with future products, the value of a reserved bit should be preserved across a read-modify-write operation. |
| 3         | TXRIS    | RO   | 1     | SSI Transmit FIFO Raw Interrupt Status<br>Indicates that the transmit FIFO is half full or less, when set.  |
| 2         | RXRIS    | RO   | 0     | SSI Receive FIFO Raw Interrupt Status<br>Indicates that the receive FIFO is half full or more, when set.  |
| 1         | RTRIS    | RO   | 0     | SSI Receive Time-Out Raw Interrupt Status<br>Indicates that the receive time-out has occurred, when set.  |
| 0         | RORRIS   | RO   | 0     | SSI Receive Overrun Raw Interrupt Status<br>Indicates that the receive FIFO has overflowed, when set.   |

## Register 8: SSI Masked Interrupt Status (SSIMIS), offset 0x01C

The **SSIMIS** register is the masked interrupt status register. On a read, this register gives the current masked status value of the corresponding interrupt. A write has no effect.

### SSI Masked Interrupt Status (SSIMIS)

SSI0 base: 0x4000.8000  
 SSI1 base: 0x4000.9000  
 Offset 0x01C  
 Type RO, reset 0x0000.0000

|       |          |    |    |    |    |    |    |    |    |    |    |    |    |       |       |       |        |
|-------|----------|----|----|----|----|----|----|----|----|----|----|----|----|-------|-------|-------|--------|
|       | 31       | 30 | 29 | 28 | 27 | 26 | 25 | 24 | 23 | 22 | 21 | 20 | 19 | 18    | 17    | 16    |        |
|       | reserved |    |    |    |    |    |    |    |    |    |    |    |    |       |       |       |        |
| Type  | RO       | RO | RO | RO | RO | RO | RO | RO | RO | RO | RO | RO | RO | RO    | RO    | RO    |        |
| Reset | 0        | 0  | 0  | 0  | 0  | 0  | 0  | 0  | 0  | 0  | 0  | 0  | 0  | 0     | 0     | 0     |        |
|       | 15       | 14 | 13 | 12 | 11 | 10 | 9  | 8  | 7  | 6  | 5  | 4  | 3  | 2     | 1     | 0     |        |
|       | reserved |    |    |    |    |    |    |    |    |    |    |    |    | TXMIS | RXMIS | RTMIS | RORMIS |
| Type  | RO       | RO | RO | RO | RO | RO | RO | RO | RO | RO | RO | RO | RO | RO    | RO    | RO    |        |
| Reset | 0        | 0  | 0  | 0  | 0  | 0  | 0  | 0  | 0  | 0  | 0  | 0  | 0  | 0     | 0     | 0     |        |

| Bit/Field | Name     | Type | Reset | Description   |
|-----------|----------|------|-------|---|
| 31:4      | reserved | RO   | 0     | Software should not rely on the value of a reserved bit. To provide compatibility with future products, the value of a reserved bit should be preserved across a read-modify-write operation. |
| 3         | TXMIS    | RO   | 0     | SSI Transmit FIFO Masked Interrupt Status<br>Indicates that the transmit FIFO is half full or less, when set.   |
| 2         | RXMIS    | RO   | 0     | SSI Receive FIFO Masked Interrupt Status<br>Indicates that the receive FIFO is half full or more, when set.   |
| 1         | RTMIS    | RO   | 0     | SSI Receive Time-Out Masked Interrupt Status<br>Indicates that the receive time-out has occurred, when set.   |
| 0         | RORMIS   | RO   | 0     | SSI Receive Overrun Masked Interrupt Status<br>Indicates that the receive FIFO has overflowed, when set.  |

### Register 9: SSI Interrupt Clear (SSIICR), offset 0x020

The **SSIICR** register is the interrupt clear register. On a write of 1, the corresponding interrupt is cleared. A write of 0 has no effect.

#### SSI Interrupt Clear (SSIICR)

SSI0 base: 0x4000.8000  
 SSI1 base: 0x4000.9000  
 Offset 0x020  
 Type W1C, reset 0x0000.0000

|       |          |    |    |    |    |    |    |    |    |    |    |    |    |    |      |       |     |
|-------|----------|----|----|----|----|----|----|----|----|----|----|----|----|----|------|-------|-----|
|       | 31       | 30 | 29 | 28 | 27 | 26 | 25 | 24 | 23 | 22 | 21 | 20 | 19 | 18 | 17   | 16    |     |
|       | reserved |    |    |    |    |    |    |    |    |    |    |    |    |    |      |       |     |
| Type  | RO       | RO | RO | RO | RO | RO | RO | RO | RO | RO | RO | RO | RO | RO | RO   | RO    |     |
| Reset | 0        | 0  | 0  | 0  | 0  | 0  | 0  | 0  | 0  | 0  | 0  | 0  | 0  | 0  | 0    | 0     |     |
|       | 15       | 14 | 13 | 12 | 11 | 10 | 9  | 8  | 7  | 6  | 5  | 4  | 3  | 2  | 1    | 0     |     |
|       | reserved |    |    |    |    |    |    |    |    |    |    |    |    |    | RTIC | RORIC |     |
| Type  | RO       | RO | RO | RO | RO | RO | RO | RO | RO | RO | RO | RO | RO | RO | RO   | W1C   | W1C |
| Reset | 0        | 0  | 0  | 0  | 0  | 0  | 0  | 0  | 0  | 0  | 0  | 0  | 0  | 0  | 0    | 0     | 0   |

| Bit/Field | Name     | Type | Reset | Description   |
|-----------|----------|------|-------|---|
| 31:2      | reserved | RO   | 0x00  | Software should not rely on the value of a reserved bit. To provide compatibility with future products, the value of a reserved bit should be preserved across a read-modify-write operation. |
| 1         | RTIC     | W1C  | 0     | SSI Receive Time-Out Interrupt Clear<br><br>The <b>RTIC</b> values are defined as follows:<br><br>Value Description<br>0 No effect on interrupt.<br>1 Clears interrupt.                       |
| 0         | RORIC    | W1C  | 0     | SSI Receive Overrun Interrupt Clear<br><br>The <b>RORIC</b> values are defined as follows:<br><br>Value Description<br>0 No effect on interrupt.<br>1 Clears interrupt.                       |



**Register 10: SSI Peripheral Identification 4 (SSIPeriphID4), offset 0xFD0**

The **SSIPeriphIDn** registers are hard-coded and the fields within the register determine the reset value.

**SSI Peripheral Identification 4 (SSIPeriphID4)**

SSI0 base: 0x4000.8000

SSI1 base: 0x4000.9000

Offset 0xFD0

Type RO, reset 0x0000.0000

|       |          |    |    |    |    |    |    |    |      |    |    |    |    |    |    |    |
|-------|----------|----|----|----|----|----|----|----|------|----|----|----|----|----|----|----|
|       | 31       | 30 | 29 | 28 | 27 | 26 | 25 | 24 | 23   | 22 | 21 | 20 | 19 | 18 | 17 | 16 |
|       | reserved |    |    |    |    |    |    |    |      |    |    |    |    |    |    |    |
| Type  | RO       | RO | RO | RO | RO | RO | RO | RO | RO   | RO | RO | RO | RO | RO | RO | RO |
| Reset | 0        | 0  | 0  | 0  | 0  | 0  | 0  | 0  | 0    | 0  | 0  | 0  | 0  | 0  | 0  | 0  |
|       | 15       | 14 | 13 | 12 | 11 | 10 | 9  | 8  | 7    | 6  | 5  | 4  | 3  | 2  | 1  | 0  |
|       | reserved |    |    |    |    |    |    |    | PID4 |    |    |    |    |    |    |    |
| Type  | RO       | RO | RO | RO | RO | RO | RO | RO | RO   | RO | RO | RO | RO | RO | RO | RO |
| Reset | 0        | 0  | 0  | 0  | 0  | 0  | 0  | 0  | 0    | 0  | 0  | 0  | 0  | 0  | 0  | 0  |

| Bit/Field | Name     | Type | Reset | Description   |
|-----------|----------|------|-------|---|
| 31:8      | reserved | RO   | 0x00  | Software should not rely on the value of a reserved bit. To provide compatibility with future products, the value of a reserved bit should be preserved across a read-modify-write operation. |
| 7:0       | PID4     | RO   | 0x00  | SSI Peripheral ID Register[7:0]<br>Can be used by software to identify the presence of this peripheral.   |

### Register 11: SSI Peripheral Identification 5 (SSIPeriphID5), offset 0xFD4

The **SSIPeriphIDn** registers are hard-coded and the fields within the register determine the reset value.

#### SSI Peripheral Identification 5 (SSIPeriphID5)

SSI0 base: 0x4000.8000  
 SSI1 base: 0x4000.9000  
 Offset 0xFD4  
 Type RO, reset 0x0000.0000

|       |          |    |    |    |    |    |    |    |      |    |    |    |    |    |    |    |
|-------|----------|----|----|----|----|----|----|----|------|----|----|----|----|----|----|----|
|       | 31       | 30 | 29 | 28 | 27 | 26 | 25 | 24 | 23   | 22 | 21 | 20 | 19 | 18 | 17 | 16 |
|       | reserved |    |    |    |    |    |    |    |      |    |    |    |    |    |    |    |
| Type  | RO       | RO | RO | RO | RO | RO | RO | RO | RO   | RO | RO | RO | RO | RO | RO | RO |
| Reset | 0        | 0  | 0  | 0  | 0  | 0  | 0  | 0  | 0    | 0  | 0  | 0  | 0  | 0  | 0  | 0  |
|       | 15       | 14 | 13 | 12 | 11 | 10 | 9  | 8  | 7    | 6  | 5  | 4  | 3  | 2  | 1  | 0  |
|       | reserved |    |    |    |    |    |    |    | PID5 |    |    |    |    |    |    |    |
| Type  | RO       | RO | RO | RO | RO | RO | RO | RO | RO   | RO | RO | RO | RO | RO | RO | RO |
| Reset | 0        | 0  | 0  | 0  | 0  | 0  | 0  | 0  | 0    | 0  | 0  | 0  | 0  | 0  | 0  | 0  |

| Bit/Field | Name     | Type | Reset | Description   |
|-----------|----------|------|-------|---|
| 31:8      | reserved | RO   | 0x00  | Software should not rely on the value of a reserved bit. To provide compatibility with future products, the value of a reserved bit should be preserved across a read-modify-write operation. |
| 7:0       | PID5     | RO   | 0x00  | SSI Peripheral ID Register[15:8]<br><br>Can be used by software to identify the presence of this peripheral.  |

**Register 12: SSI Peripheral Identification 6 (SSIPeriphID6), offset 0xFD8**

The **SSIPeriphIDn** registers are hard-coded and the fields within the register determine the reset value.

**SSI Peripheral Identification 6 (SSIPeriphID6)**

SSI0 base: 0x4000.8000

SSI1 base: 0x4000.9000

Offset 0xFD8

Type RO, reset 0x0000.0000

|       |          |    |    |    |    |    |    |    |      |    |    |    |    |    |    |    |
|-------|----------|----|----|----|----|----|----|----|------|----|----|----|----|----|----|----|
|       | 31       | 30 | 29 | 28 | 27 | 26 | 25 | 24 | 23   | 22 | 21 | 20 | 19 | 18 | 17 | 16 |
|       | reserved |    |    |    |    |    |    |    |      |    |    |    |    |    |    |    |
| Type  | RO       | RO | RO | RO | RO | RO | RO | RO | RO   | RO | RO | RO | RO | RO | RO | RO |
| Reset | 0        | 0  | 0  | 0  | 0  | 0  | 0  | 0  | 0    | 0  | 0  | 0  | 0  | 0  | 0  | 0  |
|       | 15       | 14 | 13 | 12 | 11 | 10 | 9  | 8  | 7    | 6  | 5  | 4  | 3  | 2  | 1  | 0  |
|       | reserved |    |    |    |    |    |    |    | PID6 |    |    |    |    |    |    |    |
| Type  | RO       | RO | RO | RO | RO | RO | RO | RO | RO   | RO | RO | RO | RO | RO | RO | RO |
| Reset | 0        | 0  | 0  | 0  | 0  | 0  | 0  | 0  | 0    | 0  | 0  | 0  | 0  | 0  | 0  | 0  |

| Bit/Field | Name     | Type | Reset | Description   |
|-----------|----------|------|-------|---|
| 31:8      | reserved | RO   | 0x00  | Software should not rely on the value of a reserved bit. To provide compatibility with future products, the value of a reserved bit should be preserved across a read-modify-write operation. |
| 7:0       | PID6     | RO   | 0x00  | SSI Peripheral ID Register[23:16]<br>Can be used by software to identify the presence of this peripheral.   |

### Register 13: SSI Peripheral Identification 7 (SSIPeriphID7), offset 0xFDC

The **SSIPeriphIDn** registers are hard-coded and the fields within the register determine the reset value.

#### SSI Peripheral Identification 7 (SSIPeriphID7)

SSI0 base: 0x4000.8000  
 SSI1 base: 0x4000.9000  
 Offset 0xFDC  
 Type RO, reset 0x0000.0000

|       |          |    |    |    |    |    |    |    |      |    |    |    |    |    |    |    |
|-------|----------|----|----|----|----|----|----|----|------|----|----|----|----|----|----|----|
|       | 31       | 30 | 29 | 28 | 27 | 26 | 25 | 24 | 23   | 22 | 21 | 20 | 19 | 18 | 17 | 16 |
|       | reserved |    |    |    |    |    |    |    |      |    |    |    |    |    |    |    |
| Type  | RO       | RO | RO | RO | RO | RO | RO | RO | RO   | RO | RO | RO | RO | RO | RO | RO |
| Reset | 0        | 0  | 0  | 0  | 0  | 0  | 0  | 0  | 0    | 0  | 0  | 0  | 0  | 0  | 0  | 0  |
|       | 15       | 14 | 13 | 12 | 11 | 10 | 9  | 8  | 7    | 6  | 5  | 4  | 3  | 2  | 1  | 0  |
|       | reserved |    |    |    |    |    |    |    | PID7 |    |    |    |    |    |    |    |
| Type  | RO       | RO | RO | RO | RO | RO | RO | RO | RO   | RO | RO | RO | RO | RO | RO | RO |
| Reset | 0        | 0  | 0  | 0  | 0  | 0  | 0  | 0  | 0    | 0  | 0  | 0  | 0  | 0  | 0  | 0  |

| Bit/Field | Name     | Type | Reset | Description   |
|-----------|----------|------|-------|---|
| 31:8      | reserved | RO   | 0x00  | Software should not rely on the value of a reserved bit. To provide compatibility with future products, the value of a reserved bit should be preserved across a read-modify-write operation. |
| 7:0       | PID7     | RO   | 0x00  | SSI Peripheral ID Register[31:24]<br><br>Can be used by software to identify the presence of this peripheral.   |

**Register 14: SSI Peripheral Identification 0 (SSIPeriphID0), offset 0xFE0**

The **SSIPeriphIDn** registers are hard-coded and the fields within the register determine the reset value.

**SSI Peripheral Identification 0 (SSIPeriphID0)**

SSI0 base: 0x4000.8000

SSI1 base: 0x4000.9000

Offset 0xFE0

Type RO, reset 0x0000.0022

|       |          |    |    |    |    |    |    |    |      |    |    |    |    |    |    |    |
|-------|----------|----|----|----|----|----|----|----|------|----|----|----|----|----|----|----|
|       | 31       | 30 | 29 | 28 | 27 | 26 | 25 | 24 | 23   | 22 | 21 | 20 | 19 | 18 | 17 | 16 |
|       | reserved |    |    |    |    |    |    |    |      |    |    |    |    |    |    |    |
| Type  | RO       | RO | RO | RO | RO | RO | RO | RO | RO   | RO | RO | RO | RO | RO | RO | RO |
| Reset | 0        | 0  | 0  | 0  | 0  | 0  | 0  | 0  | 0    | 0  | 0  | 0  | 0  | 0  | 0  | 0  |
|       | 15       | 14 | 13 | 12 | 11 | 10 | 9  | 8  | 7    | 6  | 5  | 4  | 3  | 2  | 1  | 0  |
|       | reserved |    |    |    |    |    |    |    | PID0 |    |    |    |    |    |    |    |
| Type  | RO       | RO | RO | RO | RO | RO | RO | RO | RO   | RO | RO | RO | RO | RO | RO | RO |
| Reset | 0        | 0  | 0  | 0  | 0  | 0  | 0  | 0  | 0    | 0  | 1  | 0  | 0  | 0  | 1  | 0  |

| Bit/Field | Name     | Type | Reset | Description   |
|-----------|----------|------|-------|---|
| 31:8      | reserved | RO   | 0     | Software should not rely on the value of a reserved bit. To provide compatibility with future products, the value of a reserved bit should be preserved across a read-modify-write operation. |
| 7:0       | PID0     | RO   | 0x22  | SSI Peripheral ID Register[7:0]<br>Can be used by software to identify the presence of this peripheral.   |

### Register 15: SSI Peripheral Identification 1 (SSIPeriphID1), offset 0xFE4

The **SSIPeriphIDn** registers are hard-coded and the fields within the register determine the reset value.

#### SSI Peripheral Identification 1 (SSIPeriphID1)

SSI0 base: 0x4000.8000  
 SSI1 base: 0x4000.9000  
 Offset 0xFE4  
 Type RO, reset 0x0000.0000

|       |          |    |    |    |    |    |    |    |      |    |    |    |    |    |    |    |
|-------|----------|----|----|----|----|----|----|----|------|----|----|----|----|----|----|----|
|       | 31       | 30 | 29 | 28 | 27 | 26 | 25 | 24 | 23   | 22 | 21 | 20 | 19 | 18 | 17 | 16 |
|       | reserved |    |    |    |    |    |    |    |      |    |    |    |    |    |    |    |
| Type  | RO       | RO | RO | RO | RO | RO | RO | RO | RO   | RO | RO | RO | RO | RO | RO | RO |
| Reset | 0        | 0  | 0  | 0  | 0  | 0  | 0  | 0  | 0    | 0  | 0  | 0  | 0  | 0  | 0  | 0  |
|       | 15       | 14 | 13 | 12 | 11 | 10 | 9  | 8  | 7    | 6  | 5  | 4  | 3  | 2  | 1  | 0  |
|       | reserved |    |    |    |    |    |    |    | PID1 |    |    |    |    |    |    |    |
| Type  | RO       | RO | RO | RO | RO | RO | RO | RO | RO   | RO | RO | RO | RO | RO | RO | RO |
| Reset | 0        | 0  | 0  | 0  | 0  | 0  | 0  | 0  | 0    | 0  | 0  | 0  | 0  | 0  | 0  | 0  |

| Bit/Field | Name     | Type | Reset | Description   |
|-----------|----------|------|-------|---|
| 31:8      | reserved | RO   | 0x00  | Software should not rely on the value of a reserved bit. To provide compatibility with future products, the value of a reserved bit should be preserved across a read-modify-write operation. |
| 7:0       | PID1     | RO   | 0x00  | SSI Peripheral ID Register [15:8]<br><br>Can be used by software to identify the presence of this peripheral.   |

**Register 16: SSI Peripheral Identification 2 (SSIPeriphID2), offset 0xFE8**

The **SSIPeriphIDn** registers are hard-coded and the fields within the register determine the reset value.

**SSI Peripheral Identification 2 (SSIPeriphID2)**

SSI0 base: 0x4000.8000

SSI1 base: 0x4000.9000

Offset 0xFE8

Type RO, reset 0x0000.0018

|       |          |    |    |    |    |    |    |    |      |    |    |    |    |    |    |    |
|-------|----------|----|----|----|----|----|----|----|------|----|----|----|----|----|----|----|
|       | 31       | 30 | 29 | 28 | 27 | 26 | 25 | 24 | 23   | 22 | 21 | 20 | 19 | 18 | 17 | 16 |
|       | reserved |    |    |    |    |    |    |    |      |    |    |    |    |    |    |    |
| Type  | RO       | RO | RO | RO | RO | RO | RO | RO | RO   | RO | RO | RO | RO | RO | RO | RO |
| Reset | 0        | 0  | 0  | 0  | 0  | 0  | 0  | 0  | 0    | 0  | 0  | 0  | 0  | 0  | 0  | 0  |
|       | 15       | 14 | 13 | 12 | 11 | 10 | 9  | 8  | 7    | 6  | 5  | 4  | 3  | 2  | 1  | 0  |
|       | reserved |    |    |    |    |    |    |    | PID2 |    |    |    |    |    |    |    |
| Type  | RO       | RO | RO | RO | RO | RO | RO | RO | RO   | RO | RO | RO | RO | RO | RO | RO |
| Reset | 0        | 0  | 0  | 0  | 0  | 0  | 0  | 0  | 0    | 0  | 0  | 0  | 1  | 1  | 0  | 0  |

| Bit/Field | Name     | Type | Reset | Description   |
|-----------|----------|------|-------|---|
| 31:8      | reserved | RO   | 0x00  | Software should not rely on the value of a reserved bit. To provide compatibility with future products, the value of a reserved bit should be preserved across a read-modify-write operation. |
| 7:0       | PID2     | RO   | 0x18  | SSI Peripheral ID Register [23:16]<br>Can be used by software to identify the presence of this peripheral.  |

### Register 17: SSI Peripheral Identification 3 (SSIPeriphID3), offset 0xFEC

The **SSIPeriphIDn** registers are hard-coded and the fields within the register determine the reset value.

#### SSI Peripheral Identification 3 (SSIPeriphID3)

SSI0 base: 0x4000.8000  
 SSI1 base: 0x4000.9000  
 Offset 0xFEC  
 Type RO, reset 0x0000.0001

|       |          |    |    |    |    |    |    |    |      |    |    |    |    |    |    |    |
|-------|----------|----|----|----|----|----|----|----|------|----|----|----|----|----|----|----|
|       | 31       | 30 | 29 | 28 | 27 | 26 | 25 | 24 | 23   | 22 | 21 | 20 | 19 | 18 | 17 | 16 |
|       | reserved |    |    |    |    |    |    |    |      |    |    |    |    |    |    |    |
| Type  | RO       | RO | RO | RO | RO | RO | RO | RO | RO   | RO | RO | RO | RO | RO | RO | RO |
| Reset | 0        | 0  | 0  | 0  | 0  | 0  | 0  | 0  | 0    | 0  | 0  | 0  | 0  | 0  | 0  | 0  |
|       | 15       | 14 | 13 | 12 | 11 | 10 | 9  | 8  | 7    | 6  | 5  | 4  | 3  | 2  | 1  | 0  |
|       | reserved |    |    |    |    |    |    |    | PID3 |    |    |    |    |    |    |    |
| Type  | RO       | RO | RO | RO | RO | RO | RO | RO | RO   | RO | RO | RO | RO | RO | RO | RO |
| Reset | 0        | 0  | 0  | 0  | 0  | 0  | 0  | 0  | 0    | 0  | 0  | 0  | 0  | 0  | 0  | 1  |

| Bit/Field | Name     | Type | Reset | Description   |
|-----------|----------|------|-------|---|
| 31:8      | reserved | RO   | 0x00  | Software should not rely on the value of a reserved bit. To provide compatibility with future products, the value of a reserved bit should be preserved across a read-modify-write operation. |
| 7:0       | PID3     | RO   | 0x01  | SSI Peripheral ID Register [31:24]<br><br>Can be used by software to identify the presence of this peripheral.  |



**Register 18: SSI PrimeCell Identification 0 (SSIPCellID0), offset 0xFF0**

The **SSIPCellIDn** registers are hard-coded, and the fields within the register determine the reset value.

**SSI PrimeCell Identification 0 (SSIPCellID0)**

SSI0 base: 0x4000.8000  
 SSI1 base: 0x4000.9000  
 Offset 0xFF0  
 Type RO, reset 0x0000.000D

|       |          |    |    |    |    |    |    |    |      |    |    |    |    |    |    |    |
|-------|----------|----|----|----|----|----|----|----|------|----|----|----|----|----|----|----|
|       | 31       | 30 | 29 | 28 | 27 | 26 | 25 | 24 | 23   | 22 | 21 | 20 | 19 | 18 | 17 | 16 |
|       | reserved |    |    |    |    |    |    |    |      |    |    |    |    |    |    |    |
| Type  | RO       | RO | RO | RO | RO | RO | RO | RO | RO   | RO | RO | RO | RO | RO | RO | RO |
| Reset | 0        | 0  | 0  | 0  | 0  | 0  | 0  | 0  | 0    | 0  | 0  | 0  | 0  | 0  | 0  | 0  |
|       | 15       | 14 | 13 | 12 | 11 | 10 | 9  | 8  | 7    | 6  | 5  | 4  | 3  | 2  | 1  | 0  |
|       | reserved |    |    |    |    |    |    |    | CID0 |    |    |    |    |    |    |    |
| Type  | RO       | RO | RO | RO | RO | RO | RO | RO | RO   | RO | RO | RO | RO | RO | RO | RO |
| Reset | 0        | 0  | 0  | 0  | 0  | 0  | 0  | 0  | 0    | 0  | 0  | 0  | 1  | 1  | 0  | 1  |

| Bit/Field | Name     | Type | Reset | Description   |
|-----------|----------|------|-------|---|
| 31:8      | reserved | RO   | 0x00  | Software should not rely on the value of a reserved bit. To provide compatibility with future products, the value of a reserved bit should be preserved across a read-modify-write operation. |
| 7:0       | CID0     | RO   | 0x0D  | SSI PrimeCell ID Register [7:0]<br><br>Provides software a standard cross-peripheral identification system.   |

### Register 19: SSI PrimeCell Identification 1 (SSIPCellID1), offset 0xFF4

The **SSIPCellIDn** registers are hard-coded, and the fields within the register determine the reset value.

#### SSI PrimeCell Identification 1 (SSIPCellID1)

SSI0 base: 0x4000.8000  
 SSI1 base: 0x4000.9000  
 Offset 0xFF4  
 Type RO, reset 0x0000.00F0

|       |          |    |    |    |    |    |    |    |      |    |    |    |    |    |    |    |
|-------|----------|----|----|----|----|----|----|----|------|----|----|----|----|----|----|----|
|       | 31       | 30 | 29 | 28 | 27 | 26 | 25 | 24 | 23   | 22 | 21 | 20 | 19 | 18 | 17 | 16 |
|       | reserved |    |    |    |    |    |    |    |      |    |    |    |    |    |    |    |
| Type  | RO       | RO | RO | RO | RO | RO | RO | RO | RO   | RO | RO | RO | RO | RO | RO | RO |
| Reset | 0        | 0  | 0  | 0  | 0  | 0  | 0  | 0  | 0    | 0  | 0  | 0  | 0  | 0  | 0  | 0  |
|       | 15       | 14 | 13 | 12 | 11 | 10 | 9  | 8  | 7    | 6  | 5  | 4  | 3  | 2  | 1  | 0  |
|       | reserved |    |    |    |    |    |    |    | CID1 |    |    |    |    |    |    |    |
| Type  | RO       | RO | RO | RO | RO | RO | RO | RO | RO   | RO | RO | RO | RO | RO | RO | RO |
| Reset | 0        | 0  | 0  | 0  | 0  | 0  | 0  | 0  | 1    | 1  | 1  | 1  | 0  | 0  | 0  | 0  |

| Bit/Field | Name     | Type | Reset | Description   |
|-----------|----------|------|-------|---|
| 31:8      | reserved | RO   | 0x00  | Software should not rely on the value of a reserved bit. To provide compatibility with future products, the value of a reserved bit should be preserved across a read-modify-write operation. |
| 7:0       | CID1     | RO   | 0xF0  | SSI PrimeCell ID Register [15:8]<br>Provides software a standard cross-peripheral identification system.  |

**Register 20: SSI PrimeCell Identification 2 (SSIPCellID2), offset 0xFF8**

The **SSIPCellIDn** registers are hard-coded, and the fields within the register determine the reset value.

**SSI PrimeCell Identification 2 (SSIPCellID2)**

SSI0 base: 0x4000.8000  
 SSI1 base: 0x4000.9000  
 Offset 0xFF8  
 Type RO, reset 0x0000.0005

|       |          |    |    |    |    |    |    |    |      |    |    |    |    |    |    |    |
|-------|----------|----|----|----|----|----|----|----|------|----|----|----|----|----|----|----|
|       | 31       | 30 | 29 | 28 | 27 | 26 | 25 | 24 | 23   | 22 | 21 | 20 | 19 | 18 | 17 | 16 |
|       | reserved |    |    |    |    |    |    |    |      |    |    |    |    |    |    |    |
| Type  | RO       | RO | RO | RO | RO | RO | RO | RO | RO   | RO | RO | RO | RO | RO | RO | RO |
| Reset | 0        | 0  | 0  | 0  | 0  | 0  | 0  | 0  | 0    | 0  | 0  | 0  | 0  | 0  | 0  | 0  |
|       | 15       | 14 | 13 | 12 | 11 | 10 | 9  | 8  | 7    | 6  | 5  | 4  | 3  | 2  | 1  | 0  |
|       | reserved |    |    |    |    |    |    |    | CID2 |    |    |    |    |    |    |    |
| Type  | RO       | RO | RO | RO | RO | RO | RO | RO | RO   | RO | RO | RO | RO | RO | RO | RO |
| Reset | 0        | 0  | 0  | 0  | 0  | 0  | 0  | 0  | 0    | 0  | 0  | 0  | 0  | 1  | 0  | 1  |

| Bit/Field | Name     | Type | Reset | Description   |
|-----------|----------|------|-------|---|
| 31:8      | reserved | RO   | 0x00  | Software should not rely on the value of a reserved bit. To provide compatibility with future products, the value of a reserved bit should be preserved across a read-modify-write operation. |
| 7:0       | CID2     | RO   | 0x05  | SSI PrimeCell ID Register [23:16]<br><br>Provides software a standard cross-peripheral identification system.   |

### Register 21: SSI PrimeCell Identification 3 (SSIPCellID3), offset 0xFFC

The **SSIPCellIDn** registers are hard-coded, and the fields within the register determine the reset value.

#### SSI PrimeCell Identification 3 (SSIPCellID3)

SSI0 base: 0x4000.8000  
 SSI1 base: 0x4000.9000  
 Offset 0xFFC  
 Type RO, reset 0x0000.00B1

|       |          |    |    |    |    |    |    |    |      |    |    |    |    |    |    |    |
|-------|----------|----|----|----|----|----|----|----|------|----|----|----|----|----|----|----|
|       | 31       | 30 | 29 | 28 | 27 | 26 | 25 | 24 | 23   | 22 | 21 | 20 | 19 | 18 | 17 | 16 |
|       | reserved |    |    |    |    |    |    |    |      |    |    |    |    |    |    |    |
| Type  | RO       | RO | RO | RO | RO | RO | RO | RO | RO   | RO | RO | RO | RO | RO | RO | RO |
| Reset | 0        | 0  | 0  | 0  | 0  | 0  | 0  | 0  | 0    | 0  | 0  | 0  | 0  | 0  | 0  | 0  |
|       | 15       | 14 | 13 | 12 | 11 | 10 | 9  | 8  | 7    | 6  | 5  | 4  | 3  | 2  | 1  | 0  |
|       | reserved |    |    |    |    |    |    |    | CID3 |    |    |    |    |    |    |    |
| Type  | RO       | RO | RO | RO | RO | RO | RO | RO | RO   | RO | RO | RO | RO | RO | RO | RO |
| Reset | 0        | 0  | 0  | 0  | 0  | 0  | 0  | 0  | 1    | 0  | 1  | 1  | 0  | 0  | 0  | 1  |

| Bit/Field | Name     | Type | Reset | Description   |
|-----------|----------|------|-------|---|
| 31:8      | reserved | RO   | 0x00  | Software should not rely on the value of a reserved bit. To provide compatibility with future products, the value of a reserved bit should be preserved across a read-modify-write operation. |
| 7:0       | CID3     | RO   | 0xB1  | SSI PrimeCell ID Register [31:24]<br>Provides software a standard cross-peripheral identification system.   |

## 14 Inter-Integrated Circuit (I<sup>2</sup>C) Interface

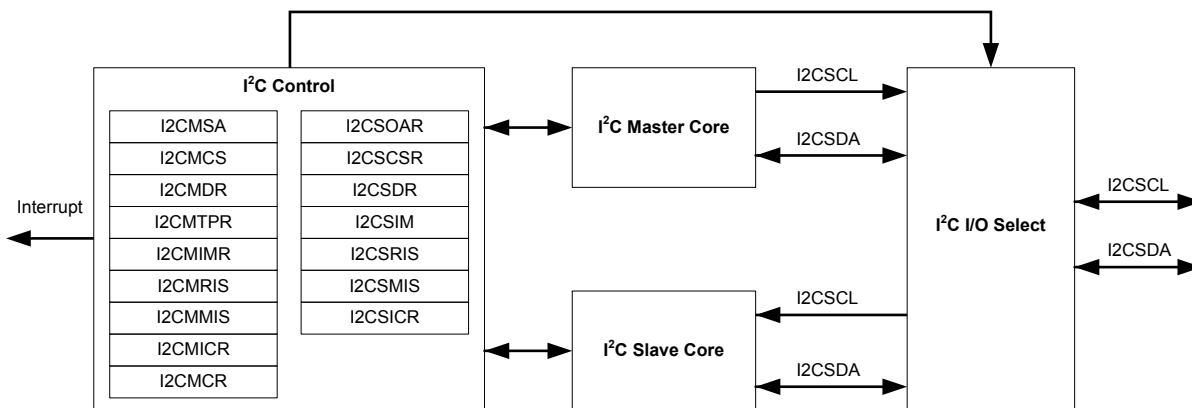
The Inter-Integrated Circuit (I<sup>2</sup>C) bus provides bi-directional data transfer through a two-wire design (a serial data line SDA and a serial clock line SCL), and interfaces to external I<sup>2</sup>C devices such as serial memory (RAMs and ROMs), networking devices, LCDs, tone generators, and so on. The I<sup>2</sup>C bus may also be used for system testing and diagnostic purposes in product development and manufacture. The LM3S6911 microcontroller includes two I<sup>2</sup>C modules, providing the ability to interact (both send and receive) with other I<sup>2</sup>C devices on the bus.

The Stellaris® I<sup>2</sup>C interface has the following features:

- Two I<sup>2</sup>C modules, each with the following features:
  - Devices on the I<sup>2</sup>C bus can be designated as either a master or a slave
    - Supports both sending and receiving data as either a master or a slave
    - Supports simultaneous master and slave operation
  - Four I<sup>2</sup>C modes
    - Master transmit
    - Master receive
    - Slave transmit
    - Slave receive
  - Two transmission speeds: Standard (100 Kbps) and Fast (400 Kbps)
  - Master and slave interrupt generation
    - Master generates interrupts when a transmit or receive operation completes (or aborts due to an error)
    - Slave generates interrupts when data has been sent or requested by a master
  - Master with arbitration and clock synchronization, multimaster support, and 7-bit addressing mode

## 14.1 Block Diagram

Figure 14-1. I<sup>2</sup>C Block Diagram

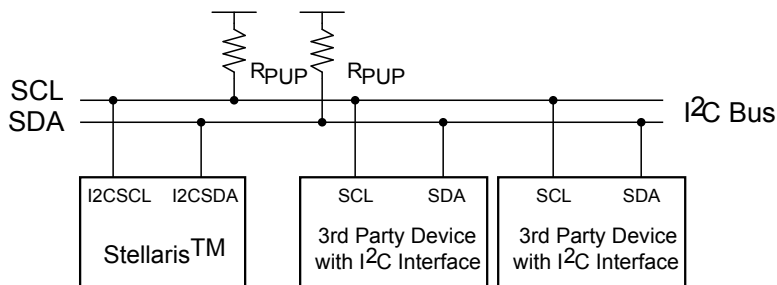


## 14.2 Functional Description

Each I<sup>2</sup>C module is comprised of both master and slave functions which are implemented as separate peripherals. For proper operation, the SDA and SCL pins must be connected to bi-directional open-drain pads. A typical I<sup>2</sup>C bus configuration is shown in Figure 14-2 on page 350.

See “Inter-Integrated Circuit (I<sup>2</sup>C) Interface” on page 483 for I<sup>2</sup>C timing diagrams.

Figure 14-2. I<sup>2</sup>C Bus Configuration



### 14.2.1 I<sup>2</sup>C Bus Functional Overview

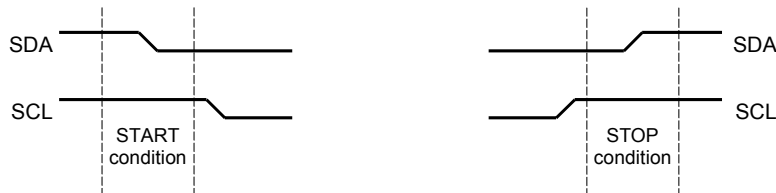
The I<sup>2</sup>C bus uses only two signals: SDA and SCL, named I2CSDA and I2CSCL on Stellaris<sup>®</sup> microcontrollers. SDA is the bi-directional serial data line and SCL is the bi-directional serial clock line. The bus is considered idle when both lines are High.

Every transaction on the I<sup>2</sup>C bus is nine bits long, consisting of eight data bits and a single acknowledge bit. The number of bytes per transfer (defined as the time between a valid START and STOP condition, described in “START and STOP Conditions” on page 351) is unrestricted, but each byte has to be followed by an acknowledge bit, and data must be transferred MSB first. When a receiver cannot receive another complete byte, it can hold the clock line SCL Low and force the transmitter into a wait state. The data transfer continues when the receiver releases the clock SCL.

### 14.2.1.1 START and STOP Conditions

The protocol of the I<sup>2</sup>C bus defines two states to begin and end a transaction: START and STOP. A High-to-Low transition on the SDA line while the SCL is High is defined as a START condition, and a Low-to-High transition on the SDA line while SCL is High is defined as a STOP condition. The bus is considered busy after a START condition and free after a STOP condition. See Figure 14-3 on page 351.

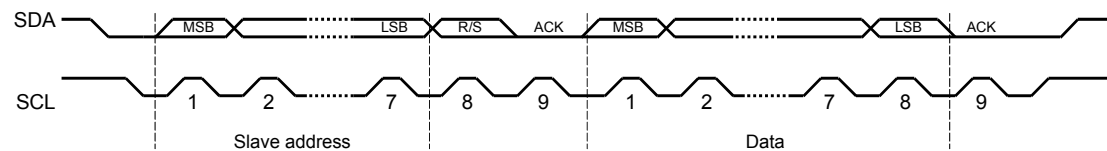
**Figure 14-3. START and STOP Conditions**



### 14.2.1.2 Data Format with 7-Bit Address

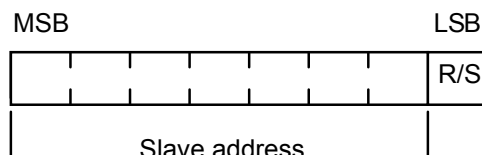
Data transfers follow the format shown in Figure 14-4 on page 351. After the START condition, a slave address is sent. This address is 7-bits long followed by an eighth bit, which is a data direction bit (R/S bit in the I<sup>2</sup>CMSA register). A zero indicates a transmit operation (send), and a one indicates a request for data (receive). A data transfer is always terminated by a STOP condition generated by the master, however, a master can initiate communications with another device on the bus by generating a repeated START condition and addressing another slave without first generating a STOP condition. Various combinations of receive/send formats are then possible within a single transfer.

**Figure 14-4. Complete Data Transfer with a 7-Bit Address**



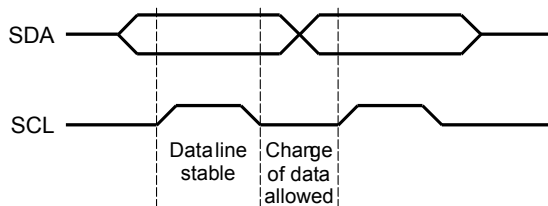
The first seven bits of the first byte make up the slave address (see Figure 14-5 on page 351). The eighth bit determines the direction of the message. A zero in the R/S position of the first byte means that the master will write (send) data to the selected slave, and a one in this position means that the master will receive data from the slave.

**Figure 14-5. R/S Bit in First Byte**



### 14.2.1.3 Data Validity

The data on the SDA line must be stable during the high period of the clock, and the data line can only change when SCL is Low (see Figure 14-6 on page 352).

Figure 14-6. Data Validity During Bit Transfer on the I<sup>2</sup>C Bus

#### 14.2.1.4 Acknowledge

All bus transactions have a required acknowledge clock cycle that is generated by the master. During the acknowledge cycle, the transmitter (which can be the master or slave) releases the SDA line. To acknowledge the transaction, the receiver must pull down SDA during the acknowledge clock cycle. The data sent out by the receiver during the acknowledge cycle must comply with the data validity requirements described in “Data Validity” on page 351.

When a slave receiver does not acknowledge the slave address, SDA must be left High by the slave so that the master can generate a STOP condition and abort the current transfer. If the master device is acting as a receiver during a transfer, it is responsible for acknowledging each transfer made by the slave. Since the master controls the number of bytes in the transfer, it signals the end of data to the slave transmitter by not generating an acknowledge on the last data byte. The slave transmitter must then release SDA to allow the master to generate the STOP or a repeated START condition.

#### 14.2.1.5 Arbitration

A master may start a transfer only if the bus is idle. It's possible for two or more masters to generate a START condition within minimum hold time of the START condition. In these situations, an arbitration scheme takes place on the SDA line, while SCL is High. During arbitration, the first of the competing master devices to place a '1' (High) on SDA while another master transmits a '0' (Low) will switch off its data output stage and retire until the bus is idle again.

Arbitration can take place over several bits. Its first stage is a comparison of address bits, and if both masters are trying to address the same device, arbitration continues on to the comparison of data bits.

### 14.2.2 Available Speed Modes

The I<sup>2</sup>C clock rate is determined by the parameters: CLK\_PRD, TIMER\_PRD, SCL\_LP, and SCL\_HP. where:

CLK\_PRD is the system clock period

SCL\_LP is the low phase of SCL (fixed at 6)

SCL\_HP is the high phase of SCL (fixed at 4)

TIMER\_PRD is the programmed value in the **I<sup>2</sup>C Master Timer Period (I2CMTPR)** register (see page 370).

The I<sup>2</sup>C clock period is calculated as follows:

$$\text{SCL\_PERIOD} = 2 * (1 + \text{TIMER\_PRD}) * (\text{SCL\_LP} + \text{SCL\_HP}) * \text{CLK\_PRD}$$

For example:



```

CLK_PRD = 50 ns
TIMER_PRD = 2
SCL_LP=6
SCL_HP=4

```

yields a SCL frequency of:

$$1/T = 333 \text{ KHz}$$

Table 14-1 on page 353 gives examples of timer period, system clock, and speed mode (Standard or Fast).

**Table 14-1. Examples of I<sup>2</sup>C Master Timer Period versus Speed Mode**

| System Clock | Timer Period | Standard Mode | Timer Period | Fast Mode |
|--------------|--------------|---------------|--------------|-----------|
| 4 MHz        | 0x01         | 100 Kbps      | -            | -         |
| 6 MHz        | 0x02         | 100 Kbps      | -            | -         |
| 12.5 MHz     | 0x06         | 89 Kbps       | 0x01         | 312 Kbps  |
| 16.7 MHz     | 0x08         | 93 Kbps       | 0x02         | 278 Kbps  |
| 20 MHz       | 0x09         | 100 Kbps      | 0x02         | 333 Kbps  |
| 25 MHz       | 0x0C         | 96.2 Kbps     | 0x03         | 312 Kbps  |
| 33 MHz       | 0x10         | 97.1 Kbps     | 0x04         | 330 Kbps  |
| 40 MHz       | 0x13         | 100 Kbps      | 0x04         | 400 Kbps  |
| 50 MHz       | 0x18         | 100 Kbps      | 0x06         | 357 Kbps  |

### 14.2.3 Interrupts

The I<sup>2</sup>C can generate interrupts when the following conditions are observed:

- Master transaction completed
- Master transaction error
- Slave transaction received
- Slave transaction requested

There is a separate interrupt signal for the I<sup>2</sup>C master and I<sup>2</sup>C slave modules. While both modules can generate interrupts for multiple conditions, only a single interrupt signal is sent to the interrupt controller.

#### 14.2.3.1 I<sup>2</sup>C Master Interrupts

The I<sup>2</sup>C master module generates an interrupt when a transaction completes (either transmit or receive), or when an error occurs during a transaction. To enable the I<sup>2</sup>C master interrupt, software must write a '1' to the **I<sup>2</sup>C Master Interrupt Mask (I2CMIMR)** register. When an interrupt condition is met, software must check the **ERROR** bit in the **I<sup>2</sup>C Master Control/Status (I2CMCS)** register to verify that an error didn't occur during the last transaction. An error condition is asserted if the last transaction wasn't acknowledge by the slave or if the master was forced to give up ownership of the bus due to a lost arbitration round with another master. If an error is not detected, the application can proceed with the transfer. The interrupt is cleared by writing a '1' to the **I<sup>2</sup>C Master Interrupt Clear (I2CMICR)** register.

If the application doesn't require the use of interrupts, the raw interrupt status is always visible via the **I<sup>2</sup>C Master Raw Interrupt Status (I2CMRIS)** register.

#### 14.2.3.2 I<sup>2</sup>C Slave Interrupts

The slave module can generate an interrupt when data has been received or requested. This interrupt is enabled by writing a 1 to the `DATAIM` bit in the **I<sup>2</sup>C Slave Interrupt Mask (I2CSIMR)** register. Software determines whether the module should write (transmit) or read (receive) data from the **I<sup>2</sup>C Slave Data (I2CSDR)** register, by checking the `RREQ` and `TREQ` bits of the **I<sup>2</sup>C Slave Control/Status (I2CSCSR)** register. If the slave module is in receive mode and the first byte of a transfer is received, the `FBR` bit is set along with the `RREQ` bit. The interrupt is cleared by writing a 1 to the `DATAIC` bit in the **I<sup>2</sup>C Slave Interrupt Clear (I2CSICR)** register.

If the application doesn't require the use of interrupts, the raw interrupt status is always visible via the **I<sup>2</sup>C Slave Raw Interrupt Status (I2CSRIS)** register.

#### 14.2.4 Loopback Operation

The I<sup>2</sup>C modules can be placed into an internal loopback mode for diagnostic or debug work. This is accomplished by setting the `LPBK` bit in the **I<sup>2</sup>C Master Configuration (I2CMCR)** register. In loopback mode, the SDA and SCL signals from the master and slave modules are tied together.

#### 14.2.5 Command Sequence Flow Charts

This section details the steps required to perform the various I<sup>2</sup>C transfer types in both master and slave mode.

##### 14.2.5.1 I<sup>2</sup>C Master Command Sequences

The figures that follow show the command sequences available for the I<sup>2</sup>C master.

Figure 14-7. Master Single SEND

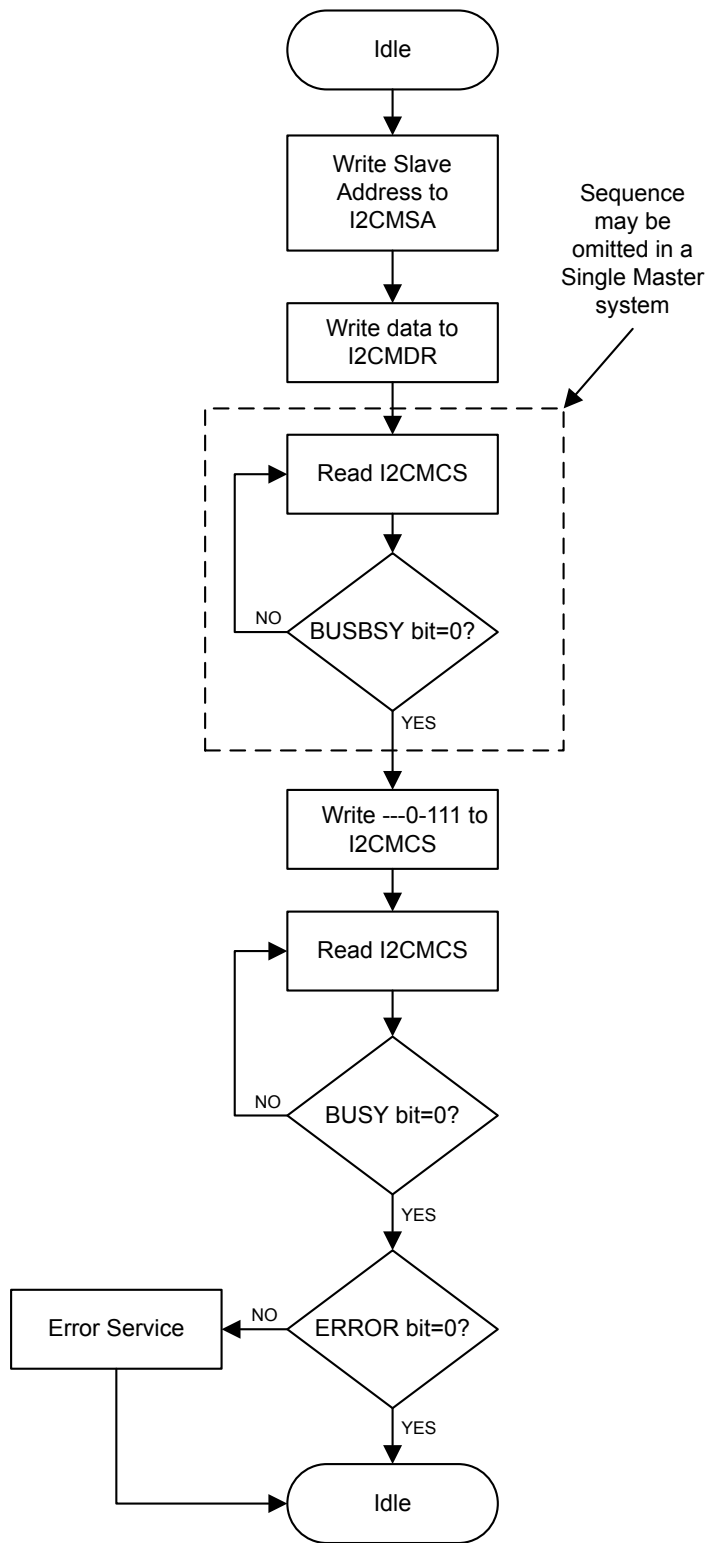


Figure 14-8. Master Single RECEIVE

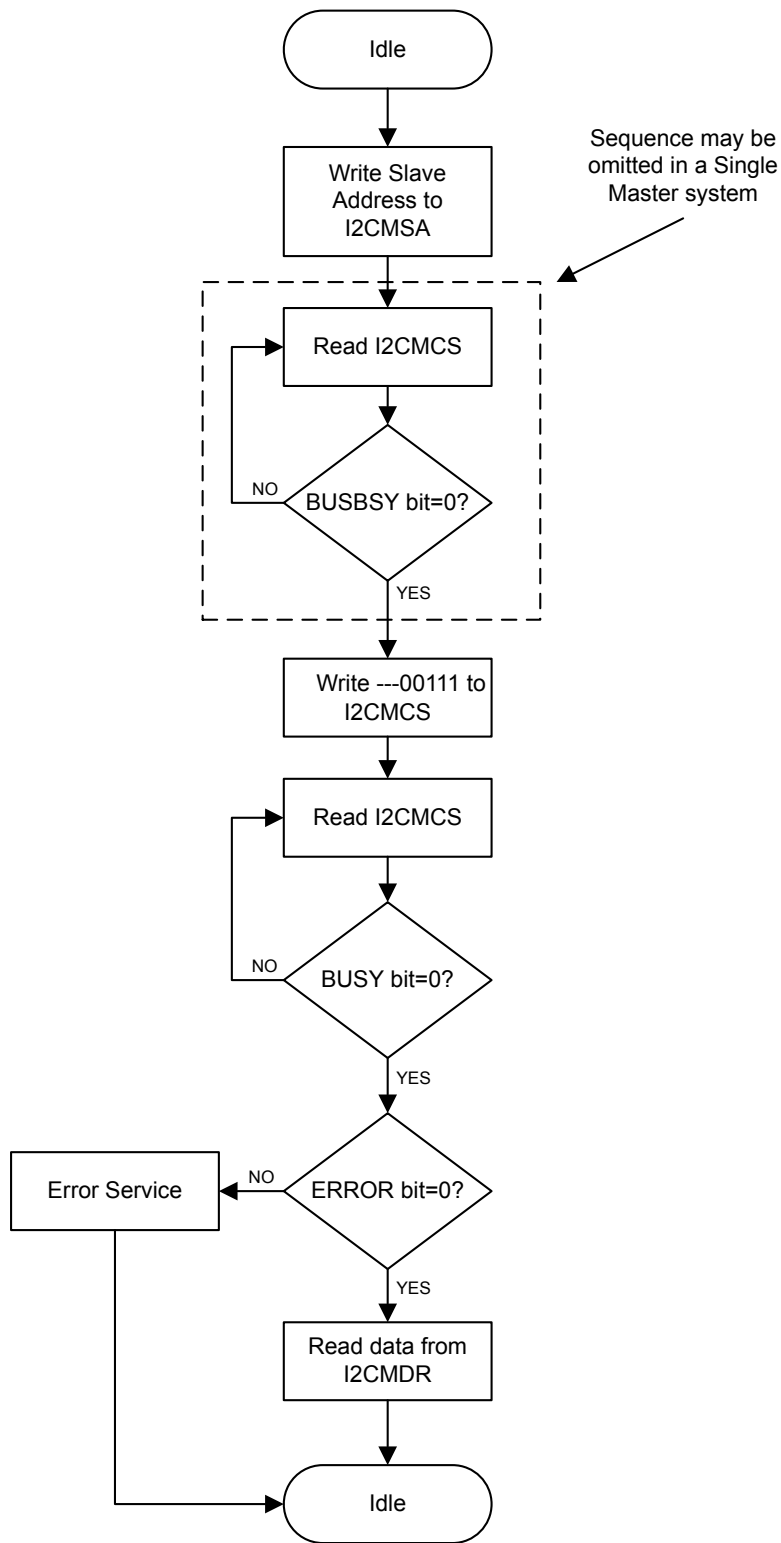


Figure 14-9. Master Burst SEND

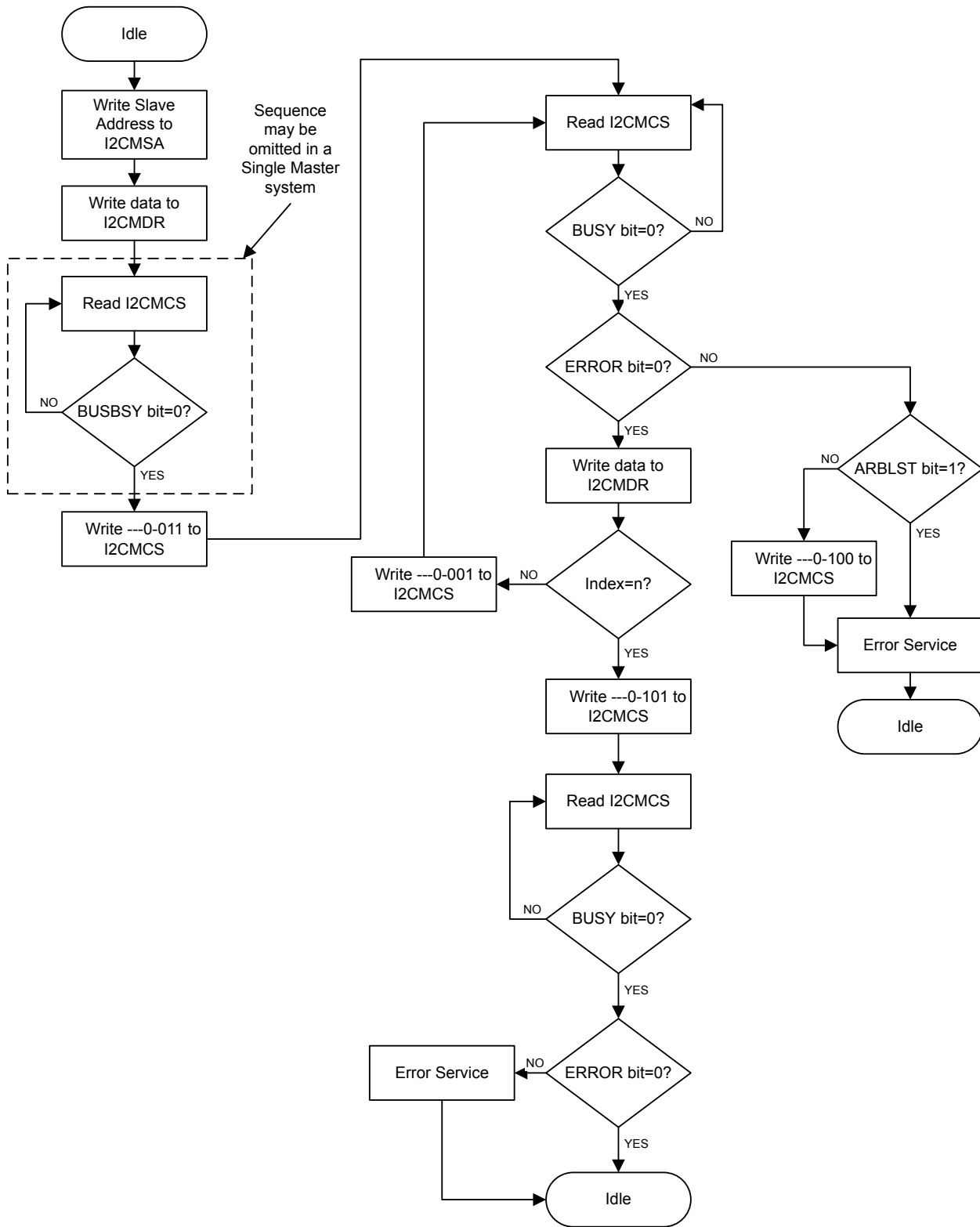


Figure 14-10. Master Burst RECEIVE

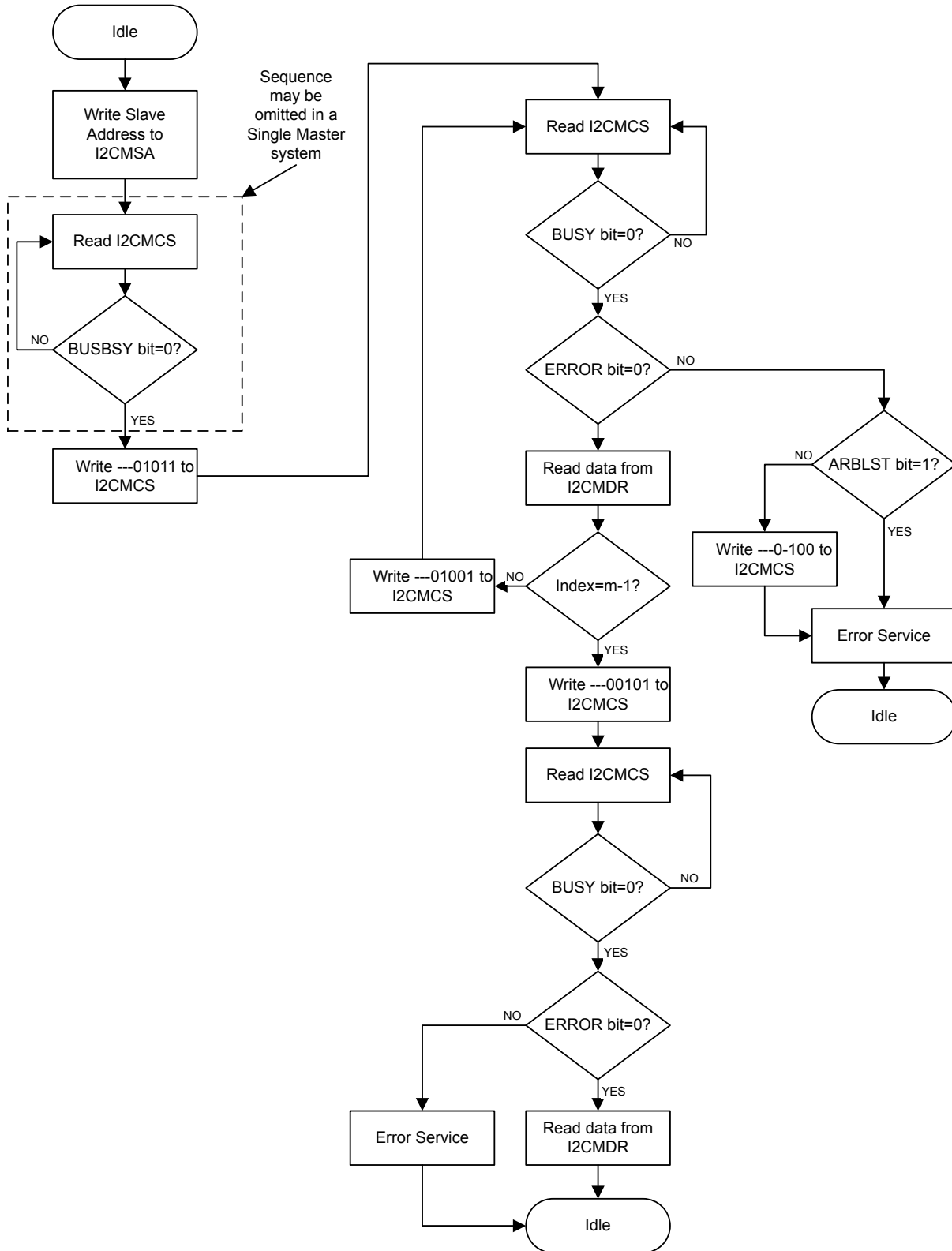
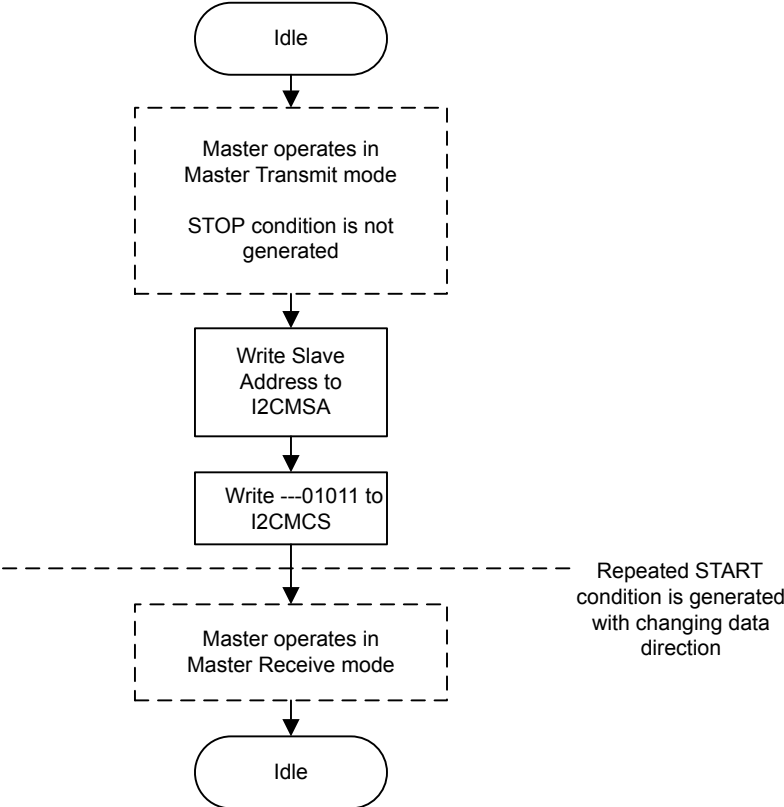
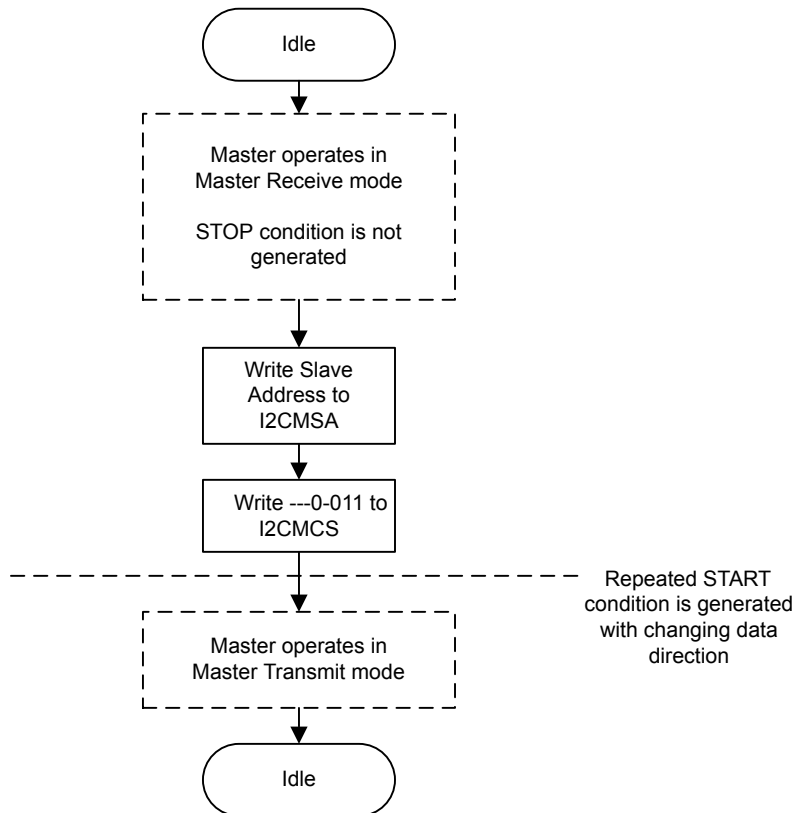


Figure 14-11. Master Burst RECEIVE after Burst SEND



**Figure 14-12. Master Burst SEND after Burst RECEIVE**

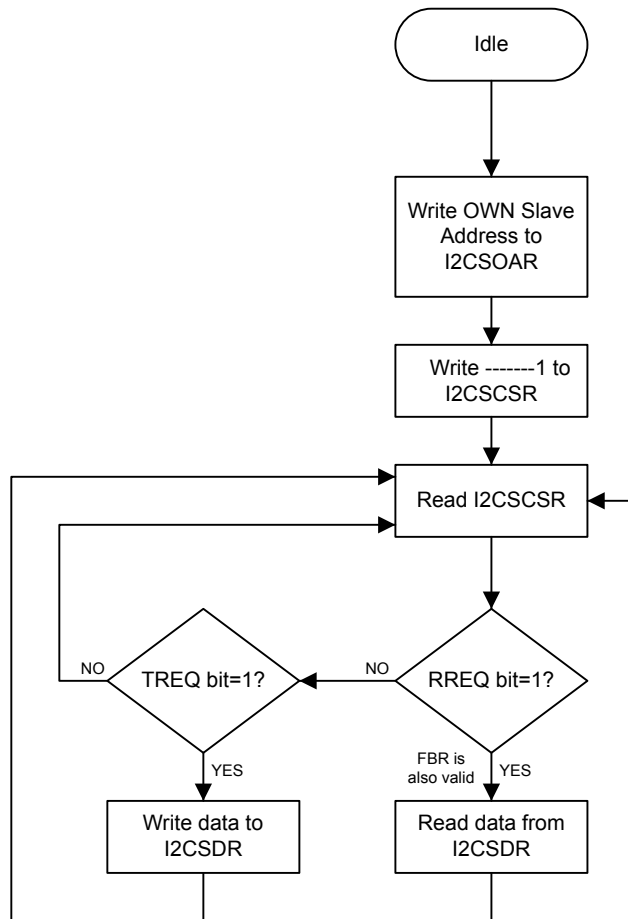


### 14.2.5.2 I<sup>2</sup>C Slave Command Sequences

Figure 14-13 on page 361 presents the command sequence available for the I<sup>2</sup>C slave.



Figure 14-13. Slave Command Sequence



### 14.3 Initialization and Configuration

The following example shows how to configure the I<sup>2</sup>C module to send a single byte as a master. This assumes the system clock is 20 MHz.

1. Enable the I<sup>2</sup>C clock by writing a value of 0x0000.1000 to the **RCGC1** register in the System Control module.
2. Enable the clock to the appropriate GPIO module via the **RCGC2** register in the System Control module.
3. In the GPIO module, enable the appropriate pins for their alternate function using the **GPIOAFSEL** register. Also, be sure to enable the same pins for Open Drain operation.
4. Initialize the I<sup>2</sup>C Master by writing the **I2CMCR** register with a value of 0x0000.0020.
5. Set the desired SCL clock speed of 100 Kbps by writing the **I2CMTPR** register with the correct value. The value written to the **I2CMTPR** register represents the number of system clock periods in one SCL clock period. The TPR value is determined by the following equation:

$$\text{TPR} = (\text{System Clock} / (2 * (\text{SCL\_LP} + \text{SCL\_HP}) * \text{SCL\_CLK})) - 1;$$

$$\text{TPR} = (20\text{MHz} / (2 * (6 + 4) * 100000)) - 1;$$

$$\text{TPR} = 9$$

Write the **I2CMTPR** register with the value of 0x0000.0009.

6. Specify the slave address of the master and that the next operation will be a Send by writing the **I2CMSA** register with a value of 0x0000.0076. This sets the slave address to 0x3B.
7. Place data (byte) to be sent in the data register by writing the **I2CMDR** register with the desired data.
8. Initiate a single byte send of the data from Master to Slave by writing the **I2CMCS** register with a value of 0x0000.0007 (STOP, START, RUN).
9. Wait until the transmission completes by polling the **I2CMCS** register's BUSBSY bit until it has been cleared.

## 14.4 Register Map

Table 14-2 on page 362 lists the I<sup>2</sup>C registers. All addresses given are relative to the I<sup>2</sup>C base addresses for the master and slave:

- I<sup>2</sup>C Master 0: 0x4002.0000
- I<sup>2</sup>C Slave 0: 0x4002.0800
- I<sup>2</sup>C Master 1: 0x4002.1000
- I<sup>2</sup>C Slave 1: 0x4002.1800

**Table 14-2. Inter-Integrated Circuit (I<sup>2</sup>C) Interface Register Map**

| Offset                       | Name    | Type | Reset       | Description                        | See page |
|------------------------------|---------|------|-------------|------------------------------------|----------|
| <b>I<sup>2</sup>C Master</b> |         |      |             |                                    |          |
| 0x000                        | I2CMSA  | R/W  | 0x0000.0000 | I2C Master Slave Address           | 364      |
| 0x004                        | I2CMCS  | R/W  | 0x0000.0000 | I2C Master Control/Status          | 365      |
| 0x008                        | I2CMDR  | R/W  | 0x0000.0000 | I2C Master Data                    | 369      |
| 0x00C                        | I2CMTPR | R/W  | 0x0000.0001 | I2C Master Timer Period            | 370      |
| 0x010                        | I2CMIMR | R/W  | 0x0000.0000 | I2C Master Interrupt Mask          | 371      |
| 0x014                        | I2CMRIS | RO   | 0x0000.0000 | I2C Master Raw Interrupt Status    | 372      |
| 0x018                        | I2CMMIS | RO   | 0x0000.0000 | I2C Master Masked Interrupt Status | 373      |
| 0x01C                        | I2CMICR | WO   | 0x0000.0000 | I2C Master Interrupt Clear         | 374      |
| 0x020                        | I2CMCR  | R/W  | 0x0000.0000 | I2C Master Configuration           | 375      |
| <b>I<sup>2</sup>C Slave</b>  |         |      |             |                                    |          |
| 0x000                        | I2CSOAR | R/W  | 0x0000.0000 | I2C Slave Own Address              | 377      |
| 0x004                        | I2CSCSR | RO   | 0x0000.0000 | I2C Slave Control/Status           | 378      |
| 0x008                        | I2CSDR  | R/W  | 0x0000.0000 | I2C Slave Data                     | 380      |

**Table 14-2. Inter-Integrated Circuit (I<sup>2</sup>C) Interface Register Map (continued)**

| Offset | Name    | Type | Reset       | Description                       | See page |
|--------|---------|------|-------------|-----------------------------------|----------|
| 0x00C  | I2CSIMR | R/W  | 0x0000.0000 | I2C Slave Interrupt Mask          | 381      |
| 0x010  | I2CSRIS | RO   | 0x0000.0000 | I2C Slave Raw Interrupt Status    | 382      |
| 0x014  | I2CSMIS | RO   | 0x0000.0000 | I2C Slave Masked Interrupt Status | 383      |
| 0x018  | I2CSICR | WO   | 0x0000.0000 | I2C Slave Interrupt Clear         | 384      |

## 14.5 Register Descriptions (I<sup>2</sup>C Master)

The remainder of this section lists and describes the I<sup>2</sup>C master registers, in numerical order by address offset. See also “Register Descriptions (I<sup>2</sup>C Slave)” on page 376.

### Register 1: I<sup>2</sup>C Master Slave Address (I2CMSA), offset 0x000

This register consists of eight bits: seven address bits (A6-A0), and a Receive/Send bit, which determines if the next operation is a Receive (High), or Send (Low).

#### I2C Master Slave Address (I2CMSA)

I2C Master 0 base: 0x4002.0000

I2C Master 1 base: 0x4002.1000

Offset 0x000

Type R/W, reset 0x0000.0000

|       |          |    |    |    |    |    |    |    |     |     |     |     |     |     |     |     |
|-------|----------|----|----|----|----|----|----|----|-----|-----|-----|-----|-----|-----|-----|-----|
|       | 31       | 30 | 29 | 28 | 27 | 26 | 25 | 24 | 23  | 22  | 21  | 20  | 19  | 18  | 17  | 16  |
|       | reserved |    |    |    |    |    |    |    |     |     |     |     |     |     |     |     |
| Type  | RO       | RO | RO | RO | RO | RO | RO | RO | RO  | RO  | RO  | RO  | RO  | RO  | RO  | RO  |
| Reset | 0        | 0  | 0  | 0  | 0  | 0  | 0  | 0  | 0   | 0   | 0   | 0   | 0   | 0   | 0   | 0   |
|       | 15       | 14 | 13 | 12 | 11 | 10 | 9  | 8  | 7   | 6   | 5   | 4   | 3   | 2   | 1   | 0   |
|       | reserved |    |    |    |    |    |    |    | SA  |     |     |     |     |     |     | R/S |
| Type  | RO       | RO | RO | RO | RO | RO | RO | RO | R/W | R/W | R/W | R/W | R/W | R/W | R/W | R/W |
| Reset | 0        | 0  | 0  | 0  | 0  | 0  | 0  | 0  | 0   | 0   | 0   | 0   | 0   | 0   | 0   | 0   |

| Bit/Field | Name     | Type | Reset | Description   |
|-----------|----------|------|-------|---|
| 31:8      | reserved | RO   | 0x00  | Software should not rely on the value of a reserved bit. To provide compatibility with future products, the value of a reserved bit should be preserved across a read-modify-write operation. |
| 7:1       | SA       | R/W  | 0     | I <sup>2</sup> C Slave Address<br><br>This field specifies bits A6 through A0 of the slave address.   |
| 0         | R/S      | R/W  | 0     | Receive/Send<br><br>The R/S bit specifies if the next operation is a Receive (High) or Send (Low).<br><br>Value Description<br>0 Send.<br>1 Receive.  |

## Register 2: I<sup>2</sup>C Master Control/Status (I2CMCS), offset 0x004

This register accesses four control bits when written, and accesses seven status bits when read.

The status register consists of seven bits, which when read determine the state of the I<sup>2</sup>C bus controller.

The control register consists of four bits: the RUN, START, STOP, and ACK bits. The START bit causes the generation of the START, or REPEATED START condition.

The STOP bit determines if the cycle stops at the end of the data cycle, or continues on to a burst. To generate a single send cycle, the **I<sup>2</sup>C Master Slave Address (I2CMSA)** register is written with the desired address, the R/S bit is set to 0, and the Control register is written with ACK=X (0 or 1), STOP=1, START=1, and RUN=1 to perform the operation and stop. When the operation is completed (or aborted due an error), the interrupt pin becomes active and the data may be read from the **I2CMDR** register. When the I<sup>2</sup>C module operates in Master receiver mode, the ACK bit must be set normally to logic 1. This causes the I<sup>2</sup>C bus controller to send an acknowledge automatically after each byte. This bit must be reset when the I<sup>2</sup>C bus controller requires no further data to be sent from the slave transmitter.

### Reads

#### I2C Master Control/Status (I2CMCS)

I2C Master 0 base: 0x4002.0000

I2C Master 1 base: 0x4002.1000

Offset 0x004

Type RO, reset 0x0000.0000

|       |          |    |    |    |    |    |    |    |    |    |        |      |        |         |        |       |      |
|-------|----------|----|----|----|----|----|----|----|----|----|--------|------|--------|---------|--------|-------|------|
|       | 31       | 30 | 29 | 28 | 27 | 26 | 25 | 24 | 23 | 22 | 21     | 20   | 19     | 18      | 17     | 16    |      |
|       | reserved |    |    |    |    |    |    |    |    |    |        |      |        |         |        |       |      |
| Type  | RO       | RO | RO | RO | RO | RO | RO | RO | RO | RO | RO     | RO   | RO     | RO      | RO     | RO    |      |
| Reset | 0        | 0  | 0  | 0  | 0  | 0  | 0  | 0  | 0  | 0  | 0      | 0    | 0      | 0       | 0      | 0     |      |
|       | 15       | 14 | 13 | 12 | 11 | 10 | 9  | 8  | 7  | 6  | 5      | 4    | 3      | 2       | 1      | 0     |      |
|       | reserved |    |    |    |    |    |    |    |    |    | BUSBSY | IDLE | ARBLST | DATAACK | ADRACK | ERROR | BUSY |
| Type  | RO       | RO | RO | RO | RO | RO | RO | RO | RO | RO | RO     | RO   | RO     | RO      | RO     | RO    |      |
| Reset | 0        | 0  | 0  | 0  | 0  | 0  | 0  | 0  | 0  | 0  | 0      | 0    | 0      | 0       | 0      | 0     |      |

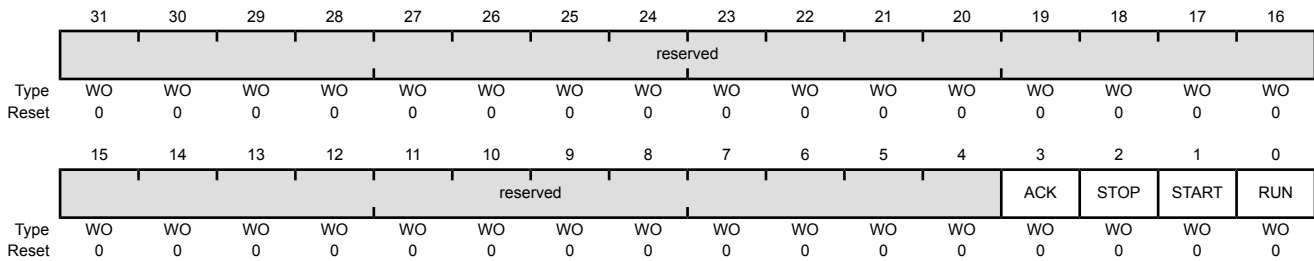
| Bit/Field | Name     | Type | Reset | Description   |
|-----------|----------|------|-------|---|
| 31:7      | reserved | RO   | 0x00  | Software should not rely on the value of a reserved bit. To provide compatibility with future products, the value of a reserved bit should be preserved across a read-modify-write operation. |
| 6         | BUSBSY   | RO   | 0     | Bus Busy<br><br>This bit specifies the state of the I <sup>2</sup> C bus. If set, the bus is busy; otherwise, the bus is idle. The bit changes based on the START and STOP conditions.        |
| 5         | IDLE     | RO   | 0     | I <sup>2</sup> C Idle<br><br>This bit specifies the I <sup>2</sup> C controller state. If set, the controller is idle; otherwise the controller is not idle.                                  |
| 4         | ARBLST   | RO   | 0     | Arbitration Lost<br><br>This bit specifies the result of bus arbitration. If set, the controller lost arbitration; otherwise, the controller won arbitration.                                 |

| Bit/Field | Name    | Type | Reset | Description  |
|-----------|---------|------|-------|--|
| 3         | DATAACK | RO   | 0     | Acknowledge Data<br><br>This bit specifies the result of the last data operation. If set, the transmitted data was not acknowledged; otherwise, the data was acknowledged.   |
| 2         | ADRACK  | RO   | 0     | Acknowledge Address<br><br>This bit specifies the result of the last address operation. If set, the transmitted address was not acknowledged; otherwise, the address was acknowledged.   |
| 1         | ERROR   | RO   | 0     | Error<br><br>This bit specifies the result of the last bus operation. If set, an error occurred on the last operation; otherwise, no error was detected. The error can be from the slave address not being acknowledged, the transmit data not being acknowledged, or because the controller lost arbitration. |
| 0         | BUSY    | RO   | 0     | I <sup>2</sup> C Busy<br><br>This bit specifies the state of the controller. If set, the controller is busy; otherwise, the controller is idle. When the <code>BUSY</code> bit is set, the other status bits are not valid.  |

**Writes**

**I2C Master Control/Status (I2CMCS)**

I2C Master 0 base: 0x4002.0000  
 I2C Master 1 base: 0x4002.1000  
 Offset 0x004  
 Type WO, reset 0x0000.0000



| Bit/Field | Name     | Type | Reset | Description   |
|-----------|----------|------|-------|---|
| 31:4      | reserved | WO   | 0x00  | Software should not rely on the value of a reserved bit. To provide compatibility with future products, the value of a reserved bit should be preserved across a read-modify-write operation. |
| 3         | ACK      | WO   | 0     | Data Acknowledge Enable<br><br>When set, causes received data byte to be acknowledged automatically by the master. See field decoding in Table 14-3 on page 367.                              |
| 2         | STOP     | WO   | 0     | Generate STOP<br><br>When set, causes the generation of the STOP condition. See field decoding in Table 14-3 on page 367.   |

| Bit/Field | Name  | Type | Reset | Description   |
|-----------|-------|------|-------|---|
| 1         | START | WO   | 0     | Generate START<br>When set, causes the generation of a START or repeated START condition. See field decoding in Table 14-3 on page 367. |
| 0         | RUN   | WO   | 0     | I <sup>2</sup> C Master Enable<br>When set, allows the master to send or receive data. See field decoding in Table 14-3 on page 367.    |

**Table 14-3. Write Field Decoding for I2CMCS[3:0] Field (Sheet 1 of 3)**

| Current State   | I2CMSA[0]   | I2CMCS[3:0]    |      |       |     | Description   |
|-----------------|---|----------------|------|-------|-----|---|
|                 | R/S   | ACK            | STOP | START | RUN |   |
| Idle            | 0   | X <sup>a</sup> | 0    | 1     | 1   | START condition followed by SEND (master goes to the Master Transmit state).  |
|                 | 0   | X              | 1    | 1     | 1   | START condition followed by a SEND and STOP condition (master remains in Idle state).                               |
|                 | 1   | 0              | 0    | 1     | 1   | START condition followed by RECEIVE operation with negative ACK (master goes to the Master Receive state).          |
|                 | 1   | 0              | 1    | 1     | 1   | START condition followed by RECEIVE and STOP condition (master remains in Idle state).                              |
|                 | 1   | 1              | 0    | 1     | 1   | START condition followed by RECEIVE (master goes to the Master Receive state).                                      |
|                 | 1   | 1              | 1    | 1     | 1   | Illegal.  |
|                 | All other combinations not listed are non-operations. |                |      |       |     |   |
| Master Transmit | X   | X              | 0    | 0     | 1   | SEND operation (master remains in Master Transmit state).   |
|                 | X   | X              | 1    | 0     | 0   | STOP condition (master goes to Idle state).   |
|                 | X   | X              | 1    | 0     | 1   | SEND followed by STOP condition (master goes to Idle state).  |
|                 | 0   | X              | 0    | 1     | 1   | Repeated START condition followed by a SEND (master remains in Master Transmit state).                              |
|                 | 0   | X              | 1    | 1     | 1   | Repeated START condition followed by SEND and STOP condition (master goes to Idle state).                           |
|                 | 1   | 0              | 0    | 1     | 1   | Repeated START condition followed by a RECEIVE operation with a negative ACK (master goes to Master Receive state). |
|                 | 1   | 0              | 1    | 1     | 1   | Repeated START condition followed by a SEND and STOP condition (master goes to Idle state).                         |
|                 | 1   | 1              | 0    | 1     | 1   | Repeated START condition followed by RECEIVE (master goes to Master Receive state).                                 |
|                 | 1   | 1              | 1    | 1     | 1   | Illegal.  |
|                 | All other combinations not listed are non-operations. |                |      |       |     |   |

Table 14-3. Write Field Decoding for I2CMCS[3:0] Field (Sheet 1 of 3) (continued)

| Current State  | I2CMSA[0]   | I2CMCS[3:0] |      |       |     | Description  |
|----------------|---|-------------|------|-------|-----|--|
|                | R/S   | ACK         | STOP | START | RUN |  |
| Master Receive | X   | 0           | 0    | 0     | 1   | RECEIVE operation with negative ACK (master remains in Master Receive state).  |
|                | X   | X           | 1    | 0     | 0   | STOP condition (master goes to Idle state). <sup>b</sup>   |
|                | X   | 0           | 1    | 0     | 1   | RECEIVE followed by STOP condition (master goes to Idle state).  |
|                | X   | 1           | 0    | 0     | 1   | RECEIVE operation (master remains in Master Receive state).  |
|                | X   | 1           | 1    | 0     | 1   | Illegal.   |
|                | 1   | 0           | 0    | 1     | 1   | Repeated START condition followed by RECEIVE operation with a negative ACK (master remains in Master Receive state). |
|                | 1   | 0           | 1    | 1     | 1   | Repeated START condition followed by RECEIVE and STOP condition (master goes to Idle state).                         |
|                | 1   | 1           | 0    | 1     | 1   | Repeated START condition followed by RECEIVE (master remains in Master Receive state).                               |
|                | 0   | X           | 0    | 1     | 1   | Repeated START condition followed by SEND (master goes to Master Transmit state).                                    |
|                | 0   | X           | 1    | 1     | 1   | Repeated START condition followed by SEND and STOP condition (master goes to Idle state).                            |
|                | All other combinations not listed are non-operations. |             |      |       |     |  |

a. An X in a table cell indicates the bit can be 0 or 1.

b. In Master Receive mode, a STOP condition should be generated only after a Data Negative Acknowledge executed by the master or an Address Negative Acknowledge executed by the slave.



### Register 3: I<sup>2</sup>C Master Data (I2CMDR), offset 0x008

**Important:** Use caution when reading this register. Performing a read may change bit status.

This register contains the data to be transmitted when in the Master Transmit state, and the data received when in the Master Receive state.

#### I2C Master Data (I2CMDR)

I2C Master 0 base: 0x4002.0000

I2C Master 1 base: 0x4002.1000

Offset 0x008

Type R/W, reset 0x0000.0000

|       |          |    |    |    |    |    |    |    |      |     |     |     |     |     |     |     |
|-------|----------|----|----|----|----|----|----|----|------|-----|-----|-----|-----|-----|-----|-----|
|       | 31       | 30 | 29 | 28 | 27 | 26 | 25 | 24 | 23   | 22  | 21  | 20  | 19  | 18  | 17  | 16  |
|       | reserved |    |    |    |    |    |    |    |      |     |     |     |     |     |     |     |
| Type  | RO       | RO | RO | RO | RO | RO | RO | RO | RO   | RO  | RO  | RO  | RO  | RO  | RO  | RO  |
| Reset | 0        | 0  | 0  | 0  | 0  | 0  | 0  | 0  | 0    | 0   | 0   | 0   | 0   | 0   | 0   | 0   |
|       | 15       | 14 | 13 | 12 | 11 | 10 | 9  | 8  | 7    | 6   | 5   | 4   | 3   | 2   | 1   | 0   |
|       | reserved |    |    |    |    |    |    |    | DATA |     |     |     |     |     |     |     |
| Type  | RO       | RO | RO | RO | RO | RO | RO | RO | R/W  | R/W | R/W | R/W | R/W | R/W | R/W | R/W |
| Reset | 0        | 0  | 0  | 0  | 0  | 0  | 0  | 0  | 0    | 0   | 0   | 0   | 0   | 0   | 0   | 0   |

| Bit/Field | Name     | Type | Reset | Description   |
|-----------|----------|------|-------|---|
| 31:8      | reserved | RO   | 0x00  | Software should not rely on the value of a reserved bit. To provide compatibility with future products, the value of a reserved bit should be preserved across a read-modify-write operation. |
| 7:0       | DATA     | R/W  | 0x00  | Data Transferred<br>Data transferred during transaction.  |

### Register 4: I<sup>2</sup>C Master Timer Period (I2CMTPR), offset 0x00C

This register specifies the period of the SCL clock.

**Caution – Take care not to set bit 7 when accessing this register as unpredictable behavior can occur.**

#### I2C Master Timer Period (I2CMTPR)

I2C Master 0 base: 0x4002.0000  
 I2C Master 1 base: 0x4002.1000  
 Offset 0x00C  
 Type R/W, reset 0x0000.0001

|       |          |    |    |    |    |    |    |    |    |     |     |     |     |     |     |     |
|-------|----------|----|----|----|----|----|----|----|----|-----|-----|-----|-----|-----|-----|-----|
|       | 31       | 30 | 29 | 28 | 27 | 26 | 25 | 24 | 23 | 22  | 21  | 20  | 19  | 18  | 17  | 16  |
|       | reserved |    |    |    |    |    |    |    |    |     |     |     |     |     |     |     |
| Type  | RO       | RO | RO | RO | RO | RO | RO | RO | RO | RO  | RO  | RO  | RO  | RO  | RO  | RO  |
| Reset | 0        | 0  | 0  | 0  | 0  | 0  | 0  | 0  | 0  | 0   | 0   | 0   | 0   | 0   | 0   | 0   |
|       | 15       | 14 | 13 | 12 | 11 | 10 | 9  | 8  | 7  | 6   | 5   | 4   | 3   | 2   | 1   | 0   |
|       | reserved |    |    |    |    |    |    |    |    | TPR |     |     |     |     |     |     |
| Type  | RO       | RO | RO | RO | RO | RO | RO | RO | RO | R/W | R/W | R/W | R/W | R/W | R/W | R/W |
| Reset | 0        | 0  | 0  | 0  | 0  | 0  | 0  | 0  | 0  | 0   | 0   | 0   | 0   | 0   | 0   | 1   |

| Bit/Field | Name     | Type | Reset | Description   |
|-----------|----------|------|-------|---|
| 31:7      | reserved | RO   | 0x00  | Software should not rely on the value of a reserved bit. To provide compatibility with future products, the value of a reserved bit should be preserved across a read-modify-write operation. |

|     |     |     |     |  |
|-----|-----|-----|-----|--|
| 6:0 | TPR | R/W | 0x1 | <p>SCL Clock Period</p> <p>This field specifies the period of the SCL clock.</p> $SCL\_PRD = 2 * (1 + TPR) * (SCL\_LP + SCL\_HP) * CLK\_PRD$ <p>where:</p> <p>SCL_PRD is the SCL line period (I<sup>2</sup>C clock).</p> <p>TPR is the Timer Period register value (range of 1 to 127).</p> <p>SCL_LP is the SCL Low period (fixed at 6).</p> <p>SCL_HP is the SCL High period (fixed at 4).</p> |
|-----|-----|-----|-----|--|

## Register 5: I<sup>2</sup>C Master Interrupt Mask (I2CMIMR), offset 0x010

This register controls whether a raw interrupt is promoted to a controller interrupt.

### I2C Master Interrupt Mask (I2CMIMR)

I2C Master 0 base: 0x4002.0000

I2C Master 1 base: 0x4002.1000

Offset 0x010

Type R/W, reset 0x0000.0000

|       |          |    |    |    |    |    |    |    |    |    |    |    |    |    |    |    |     |
|-------|----------|----|----|----|----|----|----|----|----|----|----|----|----|----|----|----|-----|
|       | 31       | 30 | 29 | 28 | 27 | 26 | 25 | 24 | 23 | 22 | 21 | 20 | 19 | 18 | 17 | 16 |     |
|       | reserved |    |    |    |    |    |    |    |    |    |    |    |    |    |    |    |     |
| Type  | RO       | RO | RO | RO | RO | RO | RO | RO | RO | RO | RO | RO | RO | RO | RO | RO |     |
| Reset | 0        | 0  | 0  | 0  | 0  | 0  | 0  | 0  | 0  | 0  | 0  | 0  | 0  | 0  | 0  | 0  |     |
|       | 15       | 14 | 13 | 12 | 11 | 10 | 9  | 8  | 7  | 6  | 5  | 4  | 3  | 2  | 1  | 0  |     |
|       | reserved |    |    |    |    |    |    |    |    |    |    |    |    |    |    | IM |     |
| Type  | RO       | RO | RO | RO | RO | RO | RO | RO | RO | RO | RO | RO | RO | RO | RO | RO | R/W |
| Reset | 0        | 0  | 0  | 0  | 0  | 0  | 0  | 0  | 0  | 0  | 0  | 0  | 0  | 0  | 0  | 0  | 0   |

| Bit/Field | Name     | Type | Reset | Description  |
|-----------|----------|------|-------|--|
| 31:1      | reserved | RO   | 0x00  | Software should not rely on the value of a reserved bit. To provide compatibility with future products, the value of a reserved bit should be preserved across a read-modify-write operation.                        |
| 0         | IM       | R/W  | 0     | <p>Interrupt Mask</p> <p>This bit controls whether a raw interrupt is promoted to a controller interrupt. If set, the interrupt is not masked and the interrupt is promoted; otherwise, the interrupt is masked.</p> |

### Register 6: I<sup>2</sup>C Master Raw Interrupt Status (I2CMRIS), offset 0x014

This register specifies whether an interrupt is pending.

#### I2C Master Raw Interrupt Status (I2CMRIS)

I2C Master 0 base: 0x4002.0000

I2C Master 1 base: 0x4002.1000

Offset 0x014

Type RO, reset 0x0000.0000

|       |          |    |    |    |    |    |    |    |    |    |    |    |    |    |    |     |
|-------|----------|----|----|----|----|----|----|----|----|----|----|----|----|----|----|-----|
|       | 31       | 30 | 29 | 28 | 27 | 26 | 25 | 24 | 23 | 22 | 21 | 20 | 19 | 18 | 17 | 16  |
|       | reserved |    |    |    |    |    |    |    |    |    |    |    |    |    |    |     |
| Type  | RO       | RO | RO | RO | RO | RO | RO | RO | RO | RO | RO | RO | RO | RO | RO | RO  |
| Reset | 0        | 0  | 0  | 0  | 0  | 0  | 0  | 0  | 0  | 0  | 0  | 0  | 0  | 0  | 0  | 0   |
|       | 15       | 14 | 13 | 12 | 11 | 10 | 9  | 8  | 7  | 6  | 5  | 4  | 3  | 2  | 1  | 0   |
|       | reserved |    |    |    |    |    |    |    |    |    |    |    |    |    |    | RIS |
| Type  | RO       | RO | RO | RO | RO | RO | RO | RO | RO | RO | RO | RO | RO | RO | RO | RO  |
| Reset | 0        | 0  | 0  | 0  | 0  | 0  | 0  | 0  | 0  | 0  | 0  | 0  | 0  | 0  | 0  | 0   |

| Bit/Field | Name     | Type | Reset | Description  |
|-----------|----------|------|-------|--|
| 31:1      | reserved | RO   | 0x00  | Software should not rely on the value of a reserved bit. To provide compatibility with future products, the value of a reserved bit should be preserved across a read-modify-write operation.            |
| 0         | RIS      | RO   | 0     | Raw Interrupt Status<br><br>This bit specifies the raw interrupt state (prior to masking) of the I <sup>2</sup> C master block. If set, an interrupt is pending; otherwise, an interrupt is not pending. |

## Register 7: I<sup>2</sup>C Master Masked Interrupt Status (I2CMMIS), offset 0x018

This register specifies whether an interrupt was signaled.

### I2C Master Masked Interrupt Status (I2CMMIS)

I2C Master 0 base: 0x4002.0000

I2C Master 1 base: 0x4002.1000

Offset 0x018

Type RO, reset 0x0000.0000

|       |          |    |    |    |    |    |    |    |    |    |    |    |    |    |    |     |
|-------|----------|----|----|----|----|----|----|----|----|----|----|----|----|----|----|-----|
|       | 31       | 30 | 29 | 28 | 27 | 26 | 25 | 24 | 23 | 22 | 21 | 20 | 19 | 18 | 17 | 16  |
|       | reserved |    |    |    |    |    |    |    |    |    |    |    |    |    |    |     |
| Type  | RO       | RO | RO | RO | RO | RO | RO | RO | RO | RO | RO | RO | RO | RO | RO | RO  |
| Reset | 0        | 0  | 0  | 0  | 0  | 0  | 0  | 0  | 0  | 0  | 0  | 0  | 0  | 0  | 0  | 0   |
|       | 15       | 14 | 13 | 12 | 11 | 10 | 9  | 8  | 7  | 6  | 5  | 4  | 3  | 2  | 1  | 0   |
|       | reserved |    |    |    |    |    |    |    |    |    |    |    |    |    |    | MIS |
| Type  | RO       | RO | RO | RO | RO | RO | RO | RO | RO | RO | RO | RO | RO | RO | RO | RO  |
| Reset | 0        | 0  | 0  | 0  | 0  | 0  | 0  | 0  | 0  | 0  | 0  | 0  | 0  | 0  | 0  | 0   |

| Bit/Field | Name     | Type | Reset | Description   |
|-----------|----------|------|-------|---|
| 31:1      | reserved | RO   | 0x00  | Software should not rely on the value of a reserved bit. To provide compatibility with future products, the value of a reserved bit should be preserved across a read-modify-write operation.   |
| 0         | MIS      | RO   | 0     | Masked Interrupt Status<br><br>This bit specifies the raw interrupt state (after masking) of the I <sup>2</sup> C master block. If set, an interrupt was signaled; otherwise, an interrupt has not been generated since the bit was last cleared. |

## Register 8: I<sup>2</sup>C Master Interrupt Clear (I2CMICR), offset 0x01C

This register clears the raw interrupt.

### I2C Master Interrupt Clear (I2CMICR)

I2C Master 0 base: 0x4002.0000

I2C Master 1 base: 0x4002.1000

Offset 0x01C

Type WO, reset 0x0000.0000

|       |          |    |    |    |    |    |    |    |    |    |    |    |    |    |    |    |    |
|-------|----------|----|----|----|----|----|----|----|----|----|----|----|----|----|----|----|----|
|       | 31       | 30 | 29 | 28 | 27 | 26 | 25 | 24 | 23 | 22 | 21 | 20 | 19 | 18 | 17 | 16 |    |
|       | reserved |    |    |    |    |    |    |    |    |    |    |    |    |    |    |    |    |
| Type  | RO       | RO | RO | RO | RO | RO | RO | RO | RO | RO | RO | RO | RO | RO | RO | RO |    |
| Reset | 0        | 0  | 0  | 0  | 0  | 0  | 0  | 0  | 0  | 0  | 0  | 0  | 0  | 0  | 0  | 0  |    |
|       | 15       | 14 | 13 | 12 | 11 | 10 | 9  | 8  | 7  | 6  | 5  | 4  | 3  | 2  | 1  | 0  |    |
|       | reserved |    |    |    |    |    |    |    |    |    |    |    |    |    |    | IC |    |
| Type  | RO       | RO | RO | RO | RO | RO | RO | RO | RO | RO | RO | RO | RO | RO | RO | RO | WO |
| Reset | 0        | 0  | 0  | 0  | 0  | 0  | 0  | 0  | 0  | 0  | 0  | 0  | 0  | 0  | 0  | 0  | 0  |

| Bit/Field | Name     | Type | Reset | Description   |
|-----------|----------|------|-------|---|
| 31:1      | reserved | RO   | 0x00  | Software should not rely on the value of a reserved bit. To provide compatibility with future products, the value of a reserved bit should be preserved across a read-modify-write operation.   |
| 0         | IC       | WO   | 0     | <p>Interrupt Clear</p> <p>This bit controls the clearing of the raw interrupt. A write of 1 clears the interrupt; otherwise, a write of 0 has no affect on the interrupt state. A read of this register returns no meaningful data.</p> |

## Register 9: I<sup>2</sup>C Master Configuration (I2CMCR), offset 0x020

This register configures the mode (Master or Slave) and sets the interface for test mode loopback.

### I2C Master Configuration (I2CMCR)

I2C Master 0 base: 0x4002.0000

I2C Master 1 base: 0x4002.1000

Offset 0x020

Type R/W, reset 0x0000.0000

|       |          |    |    |    |    |    |    |    |    |    |     |     |     |          |    |     |      |
|-------|----------|----|----|----|----|----|----|----|----|----|-----|-----|-----|----------|----|-----|------|
|       | 31       | 30 | 29 | 28 | 27 | 26 | 25 | 24 | 23 | 22 | 21  | 20  | 19  | 18       | 17 | 16  |      |
|       | reserved |    |    |    |    |    |    |    |    |    |     |     |     |          |    |     |      |
| Type  | RO       | RO | RO | RO | RO | RO | RO | RO | RO | RO | RO  | RO  | RO  | RO       | RO | RO  |      |
| Reset | 0        | 0  | 0  | 0  | 0  | 0  | 0  | 0  | 0  | 0  | 0   | 0   | 0   | 0        | 0  | 0   |      |
|       | 15       | 14 | 13 | 12 | 11 | 10 | 9  | 8  | 7  | 6  | 5   | 4   | 3   | 2        | 1  | 0   |      |
|       | reserved |    |    |    |    |    |    |    |    |    |     | SFE | MFE | reserved |    |     | LPBK |
| Type  | RO       | RO | RO | RO | RO | RO | RO | RO | RO | RO | R/W | R/W | RO  | RO       | RO | R/W |      |
| Reset | 0        | 0  | 0  | 0  | 0  | 0  | 0  | 0  | 0  | 0  | 0   | 0   | 0   | 0        | 0  | 0   |      |

| Bit/Field | Name     | Type | Reset | Description  |
|-----------|----------|------|-------|--|
| 31:6      | reserved | RO   | 0x00  | Software should not rely on the value of a reserved bit. To provide compatibility with future products, the value of a reserved bit should be preserved across a read-modify-write operation.                                  |
| 5         | SFE      | R/W  | 0     | I <sup>2</sup> C Slave Function Enable<br><br>This bit specifies whether the interface may operate in Slave mode. If set, Slave mode is enabled; otherwise, Slave mode is disabled.  |
| 4         | MFE      | R/W  | 0     | I <sup>2</sup> C Master Function Enable<br><br>This bit specifies whether the interface may operate in Master mode. If set, Master mode is enabled; otherwise, Master mode is disabled and the interface clock is disabled.    |
| 3:1       | reserved | RO   | 0x00  | Software should not rely on the value of a reserved bit. To provide compatibility with future products, the value of a reserved bit should be preserved across a read-modify-write operation.                                  |
| 0         | LPBK     | R/W  | 0     | I <sup>2</sup> C Loopback<br><br>This bit specifies whether the interface is operating normally or in Loopback mode. If set, the device is put in a test mode loopback configuration; otherwise, the device operates normally. |

## **14.6 Register Descriptions (I<sup>2</sup>C Slave)**

The remainder of this section lists and describes the I<sup>2</sup>C slave registers, in numerical order by address offset. See also "Register Descriptions (I<sup>2</sup>C Master)" on page 363.



## Register 10: I<sup>2</sup>C Slave Own Address (I2CSOAR), offset 0x000

This register consists of seven address bits that identify the Stellaris® I<sup>2</sup>C device on the I<sup>2</sup>C bus.

### I2C Slave Own Address (I2CSOAR)

I2C Slave 0 base: 0x4002.0800

I2C Slave 1 base: 0x4002.1800

Offset 0x000

Type R/W, reset 0x0000.0000

|       |          |    |    |    |    |    |    |    |    |     |     |     |     |     |     |     |
|-------|----------|----|----|----|----|----|----|----|----|-----|-----|-----|-----|-----|-----|-----|
|       | 31       | 30 | 29 | 28 | 27 | 26 | 25 | 24 | 23 | 22  | 21  | 20  | 19  | 18  | 17  | 16  |
|       | reserved |    |    |    |    |    |    |    |    |     |     |     |     |     |     |     |
| Type  | RO       | RO | RO | RO | RO | RO | RO | RO | RO | RO  | RO  | RO  | RO  | RO  | RO  | RO  |
| Reset | 0        | 0  | 0  | 0  | 0  | 0  | 0  | 0  | 0  | 0   | 0   | 0   | 0   | 0   | 0   | 0   |
|       | 15       | 14 | 13 | 12 | 11 | 10 | 9  | 8  | 7  | 6   | 5   | 4   | 3   | 2   | 1   | 0   |
|       | reserved |    |    |    |    |    |    |    |    | OAR |     |     |     |     |     |     |
| Type  | RO       | RO | RO | RO | RO | RO | RO | RO | RO | R/W | R/W | R/W | R/W | R/W | R/W | R/W |
| Reset | 0        | 0  | 0  | 0  | 0  | 0  | 0  | 0  | 0  | 0   | 0   | 0   | 0   | 0   | 0   | 0   |

| Bit/Field | Name     | Type | Reset | Description   |
|-----------|----------|------|-------|---|
| 31:7      | reserved | RO   | 0x00  | Software should not rely on the value of a reserved bit. To provide compatibility with future products, the value of a reserved bit should be preserved across a read-modify-write operation. |
| 6:0       | OAR      | R/W  | 0x00  | I <sup>2</sup> C Slave Own Address<br>This field specifies bits A6 through A0 of the slave address.   |

### Register 11: I<sup>2</sup>C Slave Control/Status (I2CCSR), offset 0x004

This register accesses one control bit when written, and three status bits when read.

The read-only Status register consists of three bits: the **FBR**, **RREQ**, and **TREQ** bits. The **First Byte Received (FBR)** bit is set only after the Stellaris<sup>®</sup> device detects its own slave address and receives the first data byte from the I<sup>2</sup>C master. The **Receive Request (RREQ)** bit indicates that the Stellaris<sup>®</sup> I<sup>2</sup>C device has received a data byte from an I<sup>2</sup>C master. Read one data byte from the **I<sup>2</sup>C Slave Data (I2CSDR)** register to clear the RREQ bit. The **Transmit Request (TREQ)** bit indicates that the Stellaris<sup>®</sup> I<sup>2</sup>C device is addressed as a Slave Transmitter. Write one data byte into the **I<sup>2</sup>C Slave Data (I2CSDR)** register to clear the TREQ bit.

The write-only Control register consists of one bit: the **DA** bit. The DA bit enables and disables the Stellaris<sup>®</sup> I<sup>2</sup>C slave operation.

#### Reads

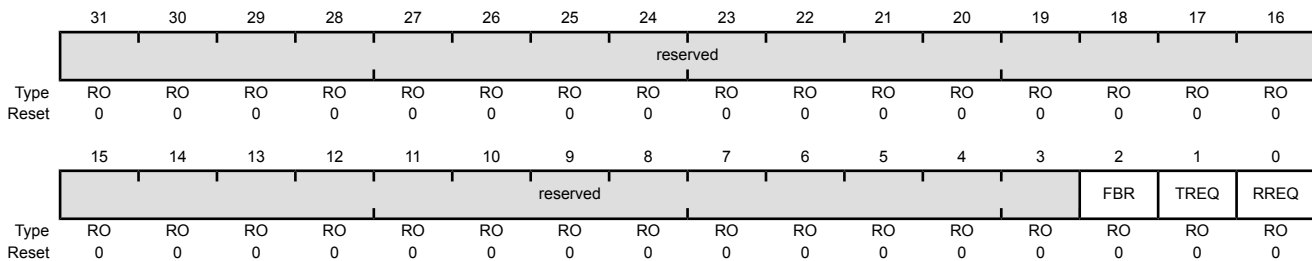
##### I2C Slave Control/Status (I2CCSR)

I2C Slave 0 base: 0x4002.0800

I2C Slave 1 base: 0x4002.1800

Offset 0x004

Type RO, reset 0x0000.0000



| Bit/Field | Name     | Type | Reset | Description   |
|-----------|----------|------|-------|---|
| 31:3      | reserved | RO   | 0x00  | Software should not rely on the value of a reserved bit. To provide compatibility with future products, the value of a reserved bit should be preserved across a read-modify-write operation.   |
| 2         | FBR      | RO   | 0     | <p>First Byte Received</p> <p>Indicates that the first byte following the slave's own address is received. This bit is only valid when the RREQ bit is set, and is automatically cleared when data has been read from the I2CSDR register.</p> <p><b>Note:</b> This bit is not used for slave transmit operations.</p>  |
| 1         | TREQ     | RO   | 0     | <p>Transmit Request</p> <p>This bit specifies the state of the I<sup>2</sup>C slave with regards to outstanding transmit requests. If set, the I<sup>2</sup>C unit has been addressed as a slave transmitter and uses clock stretching to delay the master until data has been written to the I2CSDR register. Otherwise, there is no outstanding transmit request.</p> |

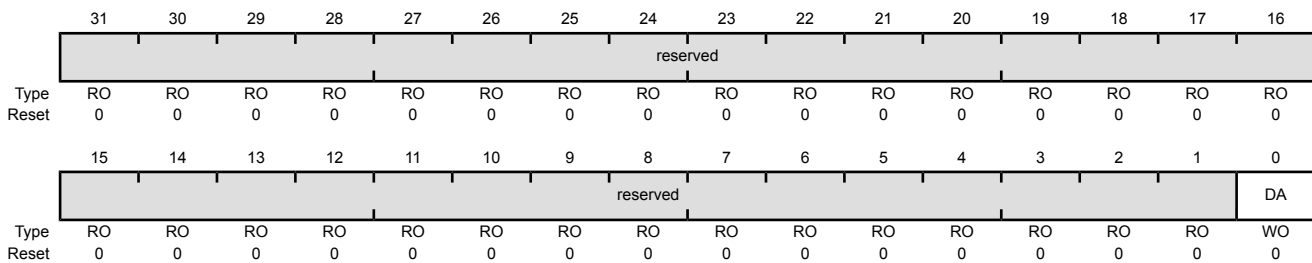
| Bit/Field | Name | Type | Reset | Description     |
|-----------|------|------|-------|-----------------|
| 0         | RREQ | RO   | 0     | Receive Request |

This bit specifies the status of the I<sup>2</sup>C slave with regards to outstanding receive requests. If set, the I<sup>2</sup>C unit has outstanding receive data from the I<sup>2</sup>C master and uses clock stretching to delay the master until the data has been read from the **I2CSDR** register. Otherwise, no receive data is outstanding.

**Writes**

**I2C Slave Control/Status (I2CSCSR)**

I2C Slave 0 base: 0x4002.0800  
 I2C Slave 1 base: 0x4002.1800  
 Offset 0x004  
 Type WO, reset 0x0000.0000



| Bit/Field | Name     | Type | Reset | Description   |
|-----------|----------|------|-------|---|
| 31:1      | reserved | RO   | 0x00  | Software should not rely on the value of a reserved bit. To provide compatibility with future products, the value of a reserved bit should be preserved across a read-modify-write operation. |
| 0         | DA       | WO   | 0     | Device Active   |

Value Description  
 0 Disables the I<sup>2</sup>C slave operation.  
 1 Enables the I<sup>2</sup>C slave operation.

## Register 12: I<sup>2</sup>C Slave Data (I2CSDR), offset 0x008

**Important:** Use caution when reading this register. Performing a read may change bit status.

This register contains the data to be transmitted when in the Slave Transmit state, and the data received when in the Slave Receive state.

### I2C Slave Data (I2CSDR)

I2C Slave 0 base: 0x4002.0800

I2C Slave 1 base: 0x4002.1800

Offset 0x008

Type R/W, reset 0x0000.0000

|       |          |    |    |    |    |    |    |    |      |     |     |     |     |     |     |     |
|-------|----------|----|----|----|----|----|----|----|------|-----|-----|-----|-----|-----|-----|-----|
|       | 31       | 30 | 29 | 28 | 27 | 26 | 25 | 24 | 23   | 22  | 21  | 20  | 19  | 18  | 17  | 16  |
|       | reserved |    |    |    |    |    |    |    |      |     |     |     |     |     |     |     |
| Type  | RO       | RO | RO | RO | RO | RO | RO | RO | RO   | RO  | RO  | RO  | RO  | RO  | RO  | RO  |
| Reset | 0        | 0  | 0  | 0  | 0  | 0  | 0  | 0  | 0    | 0   | 0   | 0   | 0   | 0   | 0   | 0   |
|       | 15       | 14 | 13 | 12 | 11 | 10 | 9  | 8  | 7    | 6   | 5   | 4   | 3   | 2   | 1   | 0   |
|       | reserved |    |    |    |    |    |    |    | DATA |     |     |     |     |     |     |     |
| Type  | RO       | RO | RO | RO | RO | RO | RO | RO | R/W  | R/W | R/W | R/W | R/W | R/W | R/W | R/W |
| Reset | 0        | 0  | 0  | 0  | 0  | 0  | 0  | 0  | 0    | 0   | 0   | 0   | 0   | 0   | 0   | 0   |

| Bit/Field | Name     | Type | Reset | Description   |
|-----------|----------|------|-------|---|
| 31:8      | reserved | RO   | 0x00  | Software should not rely on the value of a reserved bit. To provide compatibility with future products, the value of a reserved bit should be preserved across a read-modify-write operation. |
| 7:0       | DATA     | R/W  | 0x0   | Data for Transfer<br><br>This field contains the data for transfer during a slave receive or transmit operation.  |

## Register 13: I<sup>2</sup>C Slave Interrupt Mask (I2CSIMR), offset 0x00C

This register controls whether a raw interrupt is promoted to a controller interrupt.

### I2C Slave Interrupt Mask (I2CSIMR)

I2C Slave 0 base: 0x4002.0800

I2C Slave 1 base: 0x4002.1800

Offset 0x00C

Type R/W, reset 0x0000.0000

|       |          |    |    |    |    |    |    |    |    |    |    |    |    |    |    |        |
|-------|----------|----|----|----|----|----|----|----|----|----|----|----|----|----|----|--------|
|       | 31       | 30 | 29 | 28 | 27 | 26 | 25 | 24 | 23 | 22 | 21 | 20 | 19 | 18 | 17 | 16     |
|       | reserved |    |    |    |    |    |    |    |    |    |    |    |    |    |    |        |
| Type  | RO       | RO | RO | RO | RO | RO | RO | RO | RO | RO | RO | RO | RO | RO | RO | RO     |
| Reset | 0        | 0  | 0  | 0  | 0  | 0  | 0  | 0  | 0  | 0  | 0  | 0  | 0  | 0  | 0  | 0      |
|       | 15       | 14 | 13 | 12 | 11 | 10 | 9  | 8  | 7  | 6  | 5  | 4  | 3  | 2  | 1  | 0      |
|       | reserved |    |    |    |    |    |    |    |    |    |    |    |    |    |    | DATAIM |
| Type  | RO       | RO | RO | RO | RO | RO | RO | RO | RO | RO | RO | RO | RO | RO | RO | R/W    |
| Reset | 0        | 0  | 0  | 0  | 0  | 0  | 0  | 0  | 0  | 0  | 0  | 0  | 0  | 0  | 0  | 0      |

| Bit/Field | Name     | Type | Reset | Description   |
|-----------|----------|------|-------|---|
| 31:1      | reserved | RO   | 0x00  | Software should not rely on the value of a reserved bit. To provide compatibility with future products, the value of a reserved bit should be preserved across a read-modify-write operation.   |
| 0         | DATAIM   | R/W  | 0     | Data Interrupt Mask<br><br>This bit controls whether the raw interrupt for data received and data requested is promoted to a controller interrupt. If set, the interrupt is not masked and the interrupt is promoted; otherwise, the interrupt is masked. |

### Register 14: I<sup>2</sup>C Slave Raw Interrupt Status (I2CSRIS), offset 0x010

This register specifies whether an interrupt is pending.

#### I2C Slave Raw Interrupt Status (I2CSRIS)

I2C Slave 0 base: 0x4002.0800

I2C Slave 1 base: 0x4002.1800

Offset 0x010

Type RO, reset 0x0000.0000

|       |          |    |    |    |    |    |    |    |    |    |    |    |    |    |    |         |
|-------|----------|----|----|----|----|----|----|----|----|----|----|----|----|----|----|---------|
|       | 31       | 30 | 29 | 28 | 27 | 26 | 25 | 24 | 23 | 22 | 21 | 20 | 19 | 18 | 17 | 16      |
|       | reserved |    |    |    |    |    |    |    |    |    |    |    |    |    |    |         |
| Type  | RO       | RO | RO | RO | RO | RO | RO | RO | RO | RO | RO | RO | RO | RO | RO | RO      |
| Reset | 0        | 0  | 0  | 0  | 0  | 0  | 0  | 0  | 0  | 0  | 0  | 0  | 0  | 0  | 0  | 0       |
|       | 15       | 14 | 13 | 12 | 11 | 10 | 9  | 8  | 7  | 6  | 5  | 4  | 3  | 2  | 1  | 0       |
|       | reserved |    |    |    |    |    |    |    |    |    |    |    |    |    |    | DATARIS |
| Type  | RO       | RO | RO | RO | RO | RO | RO | RO | RO | RO | RO | RO | RO | RO | RO | RO      |
| Reset | 0        | 0  | 0  | 0  | 0  | 0  | 0  | 0  | 0  | 0  | 0  | 0  | 0  | 0  | 0  | 0       |

| Bit/Field | Name     | Type | Reset | Description   |
|-----------|----------|------|-------|---|
| 31:1      | reserved | RO   | 0x00  | Software should not rely on the value of a reserved bit. To provide compatibility with future products, the value of a reserved bit should be preserved across a read-modify-write operation.   |
| 0         | DATARIS  | RO   | 0     | Data Raw Interrupt Status<br><br>This bit specifies the raw interrupt state for data received and data requested (prior to masking) of the I <sup>2</sup> C slave block. If set, an interrupt is pending; otherwise, an interrupt is not pending. |

## Register 15: I<sup>2</sup>C Slave Masked Interrupt Status (I2CSMIS), offset 0x014

This register specifies whether an interrupt was signaled.

### I2C Slave Masked Interrupt Status (I2CSMIS)

I2C Slave 0 base: 0x4002.0800

I2C Slave 1 base: 0x4002.1800

Offset 0x014

Type RO, reset 0x0000.0000

|       |          |    |    |    |    |    |    |    |    |    |    |    |    |    |    |         |
|-------|----------|----|----|----|----|----|----|----|----|----|----|----|----|----|----|---------|
|       | 31       | 30 | 29 | 28 | 27 | 26 | 25 | 24 | 23 | 22 | 21 | 20 | 19 | 18 | 17 | 16      |
|       | reserved |    |    |    |    |    |    |    |    |    |    |    |    |    |    |         |
| Type  | RO       | RO | RO | RO | RO | RO | RO | RO | RO | RO | RO | RO | RO | RO | RO | RO      |
| Reset | 0        | 0  | 0  | 0  | 0  | 0  | 0  | 0  | 0  | 0  | 0  | 0  | 0  | 0  | 0  | 0       |
|       | 15       | 14 | 13 | 12 | 11 | 10 | 9  | 8  | 7  | 6  | 5  | 4  | 3  | 2  | 1  | 0       |
|       | reserved |    |    |    |    |    |    |    |    |    |    |    |    |    |    | DATAMIS |
| Type  | RO       | RO | RO | RO | RO | RO | RO | RO | RO | RO | RO | RO | RO | RO | RO | RO      |
| Reset | 0        | 0  | 0  | 0  | 0  | 0  | 0  | 0  | 0  | 0  | 0  | 0  | 0  | 0  | 0  | 0       |

| Bit/Field | Name     | Type | Reset | Description  |
|-----------|----------|------|-------|--|
| 31:1      | reserved | RO   | 0x00  | Software should not rely on the value of a reserved bit. To provide compatibility with future products, the value of a reserved bit should be preserved across a read-modify-write operation.  |
| 0         | DATAMIS  | RO   | 0     | Data Masked Interrupt Status<br><br>This bit specifies the interrupt state for data received and data requested (after masking) of the I <sup>2</sup> C slave block. If set, an interrupt was signaled; otherwise, an interrupt has not been generated since the bit was last cleared. |

### Register 16: I<sup>2</sup>C Slave Interrupt Clear (I2CSICR), offset 0x018

This register clears the raw interrupt. A read of this register returns no meaningful data.

#### I2C Slave Interrupt Clear (I2CSICR)

I2C Slave 0 base: 0x4002.0800

I2C Slave 1 base: 0x4002.1800

Offset 0x018

Type WO, reset 0x0000.0000

|       |          |    |    |    |    |    |    |    |    |    |    |    |    |    |    |        |    |
|-------|----------|----|----|----|----|----|----|----|----|----|----|----|----|----|----|--------|----|
|       | 31       | 30 | 29 | 28 | 27 | 26 | 25 | 24 | 23 | 22 | 21 | 20 | 19 | 18 | 17 | 16     |    |
|       | reserved |    |    |    |    |    |    |    |    |    |    |    |    |    |    |        |    |
| Type  | RO       | RO | RO | RO | RO | RO | RO | RO | RO | RO | RO | RO | RO | RO | RO | RO     |    |
| Reset | 0        | 0  | 0  | 0  | 0  | 0  | 0  | 0  | 0  | 0  | 0  | 0  | 0  | 0  | 0  | 0      |    |
|       | 15       | 14 | 13 | 12 | 11 | 10 | 9  | 8  | 7  | 6  | 5  | 4  | 3  | 2  | 1  | 0      |    |
|       | reserved |    |    |    |    |    |    |    |    |    |    |    |    |    |    | DATAIC |    |
| Type  | RO       | RO | RO | RO | RO | RO | RO | RO | RO | RO | RO | RO | RO | RO | RO | RO     | WO |
| Reset | 0        | 0  | 0  | 0  | 0  | 0  | 0  | 0  | 0  | 0  | 0  | 0  | 0  | 0  | 0  | 0      | 0  |

| Bit/Field | Name     | Type | Reset | Description  |
|-----------|----------|------|-------|--|
| 31:1      | reserved | RO   | 0x00  | Software should not rely on the value of a reserved bit. To provide compatibility with future products, the value of a reserved bit should be preserved across a read-modify-write operation.  |
| 0         | DATAIC   | WO   | 0     | Data Interrupt Clear<br><br>This bit controls the clearing of the raw interrupt for data received and data requested. When set, it clears the <code>DATARIS</code> interrupt bit; otherwise, it has no effect on the <code>DATARIS</code> bit value. |



## 15 Ethernet Controller

The Stellaris® Ethernet Controller consists of a fully integrated media access controller (MAC) and network physical (PHY) interface. The Ethernet Controller conforms to *IEEE 802.3* specifications and fully supports 10BASE-T and 100BASE-TX standards.

The Stellaris® Ethernet Controller module has the following features:

- Conforms to the *IEEE 802.3-2002 specification*
  - 10BASE-T/100BASE-TX IEEE-802.3 compliant. Requires only a dual 1:1 isolation transformer interface to the line
  - 10BASE-T/100BASE-TX ENDEC, 100BASE-TX scrambler/descrambler
  - Full-featured auto-negotiation
- Multiple operational modes
  - Full- and half-duplex 100 Mbps
  - Full- and half-duplex 10 Mbps
  - Power-saving and power-down modes
- Highly configurable
  - Programmable MAC address
  - LED activity selection
  - Promiscuous mode support
  - CRC error-rejection control
  - User-configurable interrupts
- Physical media manipulation
  - Automatic MDI/MDI-X cross-over correction
  - Register-programmable transmit amplitude
  - Automatic polarity correction and 10BASE-T signal reception

### 15.1 Block Diagram

As shown in Figure 15-1 on page 386, the Ethernet Controller is functionally divided into two layers: the Media Access Controller (MAC) layer and the Network Physical (PHY) layer. These layers correspond to the OSI model layers 2 and 1. The CPU accesses the Ethernet Controller via the MAC layer. The MAC layer provides transmit and receive processing for Ethernet frames. The MAC layer also provides the interface to the PHY layer via an internal Media Independent Interface (MII). The PHY layer communicates with the Ethernet bus.

Figure 15-1. Ethernet Controller

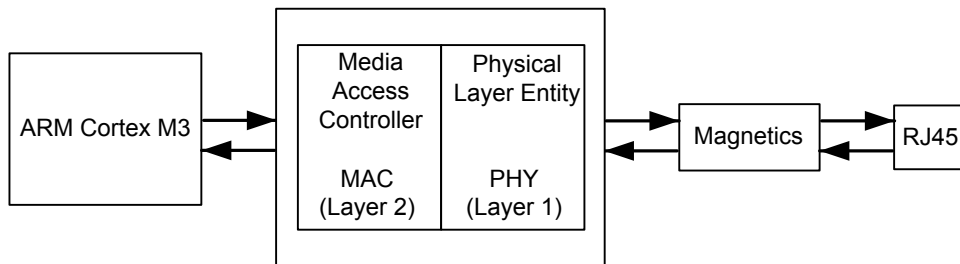
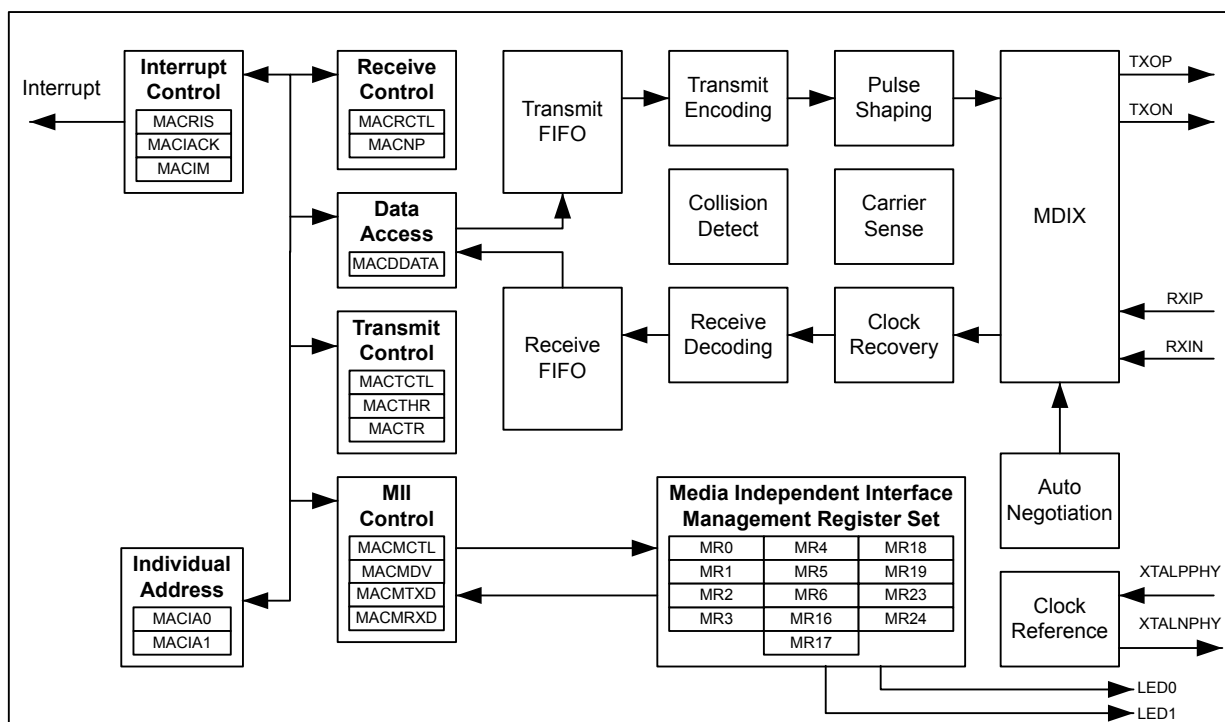


Figure 15-2 on page 386 shows more detail of the internal structure of the Ethernet Controller and how the register set relates to various functions.

Figure 15-2. Ethernet Controller Block Diagram



## 15.2 Functional Description

**Note:** A 12.4-kΩ resistor should be connected between the `ERBIAS` and ground. The 12.4-kΩ resistor should have a 1% tolerance and should be located in close proximity to the `ERBIAS` pin. Power dissipation in the resistor is low, so a chip resistor of any geometry may be used.

The functional description of the Ethernet Controller is discussed in the following sections.

### 15.2.1 MAC Operation

The following sections describe the operation of the MAC unit, including an overview of the Ethernet frame format, the MAC layer FIFOs, Ethernet transmission and reception options, and LED indicators.

### 15.2.1.1 Ethernet Frame Format

Ethernet data is carried by Ethernet frames. The basic frame format is shown in Figure 15-3 on page 387.

**Figure 15-3. Ethernet Frame**

|            |           |                     |                |                 |                    |            |
|------------|-----------|---------------------|----------------|-----------------|--------------------|------------|
| Preamble   | SFD       | Destination Address | Source Address | Length/<br>Type | Data               | FCS        |
| 7<br>Bytes | 1<br>Byte | 6<br>Bytes          | 6<br>Bytes     | 2<br>Bytes      | 46 - 1500<br>Bytes | 4<br>Bytes |

The seven fields of the frame are transmitted from left to right. The bits within the frame are transmitted from least to most significant bit.

- Preamble

The Preamble field is used to synchronize with the received frame's timing. The preamble is 7 octets long.

- Start Frame Delimiter (SFD)

The SFD field follows the preamble pattern and indicates the start of the frame. Its value is 1010.1011.

- Destination Address (DA)

This field specifies destination addresses for which the frame is intended. The LSB (bit 16 of DA oct 1 in the frame, see Table 15-1 on page 388) of the DA determines whether the address is an individual (0), or group/multicast (1) address.

- Source Address (SA)

The source address field identifies the station from which the frame was initiated.

- Length/Type Field

The meaning of this field depends on its numeric value. This field can be interpreted as length or type code. The maximum length of the data field is 1500 octets. If the value of the Length/Type field is less than or equal to 1500 decimal, it indicates the number of MAC client data octets. If the value of this field is greater than or equal to 1536 decimal, then it is type interpretation. The meaning of the Length/Type field when the value is between 1500 and 1536 decimal is unspecified by the IEEE 802.3 standard. However, the Ethernet Controller assumes type interpretation if the value of the Length/Type field is greater than 1500 decimal. The definition of the Type field is specified in the IEEE 802.3 standard. The first of the two octets in this field is most significant.

- Data

The data field is a sequence of octets that is at least 46 in length, up to 1500 in length. Full data transparency is provided so any values can appear in this field. A minimum frame size of 46 octets is required to meet the IEEE standard. If the frame size is too small, the Ethernet Controller automatically appends extra bits (a pad), thus the pad can have a size of 0 to 46 octets. Data padding can be disabled by clearing the `PADEN` bit in the **Ethernet MAC Transmit Control (MACTCTL)** register.

For the Ethernet Controller, data sent/received can be larger than 1500 bytes without causing a Frame Too Long error. Instead, a FIFO overrun error is reported using the `FOV` bit in the

**Ethernet MAC Raw Interrupt Status(MACRIS)** register when the frame received is too large to fit into the Ethernet Controller's 2K RAM.

- Frame Check Sequence (FCS)

The frame check sequence carries the cyclic redundancy check (CRC) value. The CRC is computed over the destination address, source address, length/type, and data (including pad) fields using the CRC-32 algorithm. The Ethernet Controller computes the FCS value one nibble at a time. For transmitted frames, this field is automatically inserted by the MAC layer, unless disabled by clearing the `CRC` bit in the **MACTCTL** register. For received frames, this field is automatically checked. If the FCS does not pass, the frame is not placed in the RX FIFO, unless the FCS check is disabled by clearing the `BADCRC` bit in the **MACRCTL** register.

### 15.2.1.2 MAC Layer FIFOs

The Ethernet Controller is capable of simultaneous transmission and reception. This feature is enabled by setting the `DUPLX` bit in the **MACTCTL** register.

For Ethernet frame transmission, a 2 KB transmit FIFO is provided that can be used to store a single frame. While the *IEEE 802.3 specification* limits the size of an Ethernet frame's payload section to 1500 Bytes, the Ethernet Controller places no such limit. The full buffer can be used, for a payload of up to 2032 bytes (as the first 16 bytes in the FIFO are reserved for destination address, source address and length/type information).

For Ethernet frame reception, a 2-KB receive FIFO is provided that can be used to store multiple frames, up to a maximum of 31 frames. If a frame is received, and there is insufficient space in the RX FIFO, an overflow error is indicated using the `FOV` bit in the **MACRIS** register.

For details regarding the TX and RX FIFO layout, refer to Table 15-1 on page 388. Please note the following difference between TX and RX FIFO layout. For the TX FIFO, the Data Length field in the first FIFO word refers to the Ethernet frame data payload, as shown in the 5th to nth FIFO positions. For the RX FIFO, the Frame Length field is the total length of the received Ethernet frame, including the Length/Type bytes and the FCS bits.

If FCS generation is disabled by clearing the `CRC` bit in the **MACTCTL** register, the last word in the TX FIFO must contain the FCS bytes for the frame that has been written to the FIFO.

Also note that if the length of the data payload section is not a multiple of 4, the FCS field is not be aligned on a word boundary in the FIFO. However, for the RX FIFO the beginning of the next frame is always on a word boundary.

**Table 15-1. TX & RX FIFO Organization**

| FIFO Word Read/Write Sequence | Word Bit Fields | TX FIFO (Write)                    | RX FIFO (Read)                      |
|-------------------------------|-----------------|------------------------------------|-------------------------------------|
| 1st                           | 7:0             | Data Length Least Significant Byte | Frame Length Least Significant Byte |
|                               | 15:8            | Data Length Most Significant Byte  | Frame Length Most Significant Byte  |
|                               | 23:16           |                                    | DA oct 1                            |
|                               | 31:24           |                                    | DA oct 2                            |
| 2nd                           | 7:0             |                                    | DA oct 3                            |
|                               | 15:8            |                                    | DA oct 4                            |
|                               | 23:16           |                                    | DA oct 5                            |
|                               | 31:24           |                                    | DA oct 6                            |

Table 15-1. TX &amp; RX FIFO Organization (continued)

| FIFO Word Read/Write Sequence | Word Bit Fields | TX FIFO (Write) | RX FIFO (Read)                  |
|-------------------------------|-----------------|-----------------|---------------------------------|
| 3rd                           | 7:0             |                 | SA oct 1                        |
|                               | 15:8            |                 | SA oct 2                        |
|                               | 23:16           |                 | SA oct 3                        |
|                               | 31:24           |                 | SA oct 4                        |
| 4th                           | 7:0             |                 | SA oct 5                        |
|                               | 15:8            |                 | SA oct 6                        |
|                               | 23:16           |                 | Len/Type Most Significant Byte  |
|                               | 31:24           |                 | Len/Type Least Significant Byte |
| 5th to nth                    | 7:0             |                 | data oct n                      |
|                               | 15:8            |                 | data oct n+1                    |
|                               | 23:16           |                 | data oct n+2                    |
|                               | 31:24           |                 | data oct n+3                    |
| last                          | 7:0             |                 | FCS 1                           |
|                               | 15:8            |                 | FCS 2                           |
|                               | 23:16           |                 | FCS 3                           |
|                               | 31:24           |                 | FCS 4                           |

**Note:** If the CRC bit in the **MACTCTL** register is clear, the FCS bytes must be written with the correct CRC. If the CRC bit is set, the Ethernet Controller automatically writes the FCS bytes.

### 15.2.1.3 Ethernet Transmission Options

At the MAC layer, the transmitter can be configured for both full-duplex and half-duplex operation by using the **DUPLEX** bit in the **MACTCTL** register.

The Ethernet Controller automatically generates and inserts the Frame Check Sequence (FCS) at the end of the transmit frame when the **CRC** bit in the **MACTCTL** register is set. However, for test purposes, this feature can be disabled in order to generate a frame with an invalid CRC by clearing the **CRC** bit.

The *IEEE 802.3 specification* requires that the Ethernet frame payload section be a minimum of 46 bytes. The Ethernet Controller automatically pads the data section if the payload data section loaded into the FIFO is less than the minimum 46 bytes when the **PADEN** bit in the **MACTCTL** register is set. This feature can be disabled by clearing the **PADEN** bit.

The transmitter must be enabled by setting the **TXEN** bit in the **TCTL** register.

### 15.2.1.4 Ethernet Reception Options

The Ethernet Controller RX FIFO should be cleared during software initialization. The receiver should first be disabled by clearing the **RXEN** bit in the **Ethernet MAC Receive Control (MACRCTL)** register, then the FIFO can be cleared by setting the **RSTFIFO** bit in the **MACRCTL** register.

The receiver automatically rejects frames that contain bad CRC values in the FCS field. In this case, a Receive Error interrupt is generated and the receive data is lost. To accept all frames, clear the **BADCRC** bit in the **MACRCTL** register.

In normal operating mode, the receiver accepts only those frames that have a destination address that matches the address programmed into the **Ethernet MAC Individual Address 0 (MACIA0)**

and **Ethernet MAC Individual Address 1 (MACIA1)** registers. However, the Ethernet receiver can also be configured for Promiscuous and Multicast modes by setting the `PRMS` and `AMUL` bits in the **MACRCTL** register.

## 15.2.2 Internal MII Operation

For the MII management interface to function properly, the `MDIO` signal must be connected through a 10k  $\Omega$  pull-up resistor to the +3.3 V supply. Failure to connect this pull-up resistor prevents management transactions on this internal MII to function. Note that it is possible for data transmission across the MII to still function since the PHY layer auto-negotiates the link parameters by default.

For the MII management interface to function properly, the internal clock must be divided down from the system clock to a frequency no greater than 2.5 MHz. The **Ethernet MAC Management Divider (MACMDV)** register contains the divider used for scaling down the system clock. See page 409 for more details about the use of this register.

## 15.2.3 PHY Operation

The Physical Layer (PHY) in the Ethernet Controller includes integrated ENDECs, scrambler/descrambler, dual-speed clock recovery, and full-featured auto-negotiation functions. The transmitter includes an on-chip pulse shaper and a low-power line driver. The receiver has an adaptive equalizer and a baseline restoration circuit required for accurate clock and data recovery. The transceiver interfaces to Category-5 unshielded twisted pair (Cat-5 UTP) cabling for 100BASE-TX applications, and Category-3 unshielded twisted pair (Cat-3 UTP) for 10BASE-T applications. The Ethernet Controller is connected to the line media via dual 1:1 isolation transformers. No external filter is required.

### 15.2.3.1 Clock Selection

The Ethernet Controller has an on-chip crystal oscillator which can also be driven by an external oscillator. In this mode of operation, a 25-MHz crystal should be connected between the `XTALPPHY` and `XTALNPHY` pins. Alternatively, an external 25-MHz clock input can be connected to the `XTALPPHY` pin. In this mode of operation, a crystal is not required and the `XTALNPHY` pin must be tied to ground.

### 15.2.3.2 Auto-Negotiation

The Ethernet Controller supports the auto-negotiation functions of Clause 28 of the *IEEE 802.3* standard for 10/100 Mbps operation over copper wiring. This function is controlled via register settings. The auto-negotiation function is turned on by default, and the `ANEGEN` bit in the **Ethernet PHY Management Register 0 - Control (MR0)** is set after reset. Software can disable the auto-negotiation function by clearing the `ANEGEN` bit. The contents of the **Ethernet PHY Management Register - Auto-Negotiation Advertisement (MR4)** are reflected to the Ethernet Controller's link partner during auto-negotiation via fast-link pulse coding.

Once auto-negotiation is complete, the `DPLX` and `RATE` bits in the **Ethernet PHY Management Register 18 - Diagnostic (MR18)** register reflect the actual speed and duplex condition. If auto-negotiation fails to establish a link for any reason, the `ANEGF` bit in the **MR18** register reflects this and auto-negotiation restarts from the beginning. Setting the `RANEG` bit in the **MR0** register also causes auto-negotiation to restart.

### 15.2.3.3 Polarity Correction

The Ethernet Controller is capable of either automatic or manual polarity reversal for 10BASE-T and auto-negotiation functions. Bits 4 and 5 (`RVSPOL` and `APOL`) in the **Ethernet PHY Management Register 16 - Vendor-Specific (MR16)** control this feature. The default is automatic mode, where

APOL is clear and RVSPOL indicates if the detection circuitry has inverted the input signal. To enter manual mode, APOL should be set. In manual mode RVSPOL controls the signal polarity.

#### 15.2.3.4 MDI/MDI-X Configuration

The Ethernet Controller supports the MDI/MDI-X configuration as defined in *IEEE 802.3-2002 specification*. The MDI/MDI-X configuration eliminates the need for cross-over cables when connecting to another device, such as a hub. The algorithm is controlled via settings in the **Ethernet PHY Management Register 24 - MDI/MIDIX Control (MR24)**. Refer to page 431 for additional details about these settings.

#### 15.2.3.5 Power Management

The PHY has two power-saving modes:

- Power-Down
- Receive Power Management

Power-down mode is activated by setting the PWRDN bit in the **MR0** register. When the PHY is in power-down mode, it consumes minimum power. While in the power-down state, the Ethernet Controller still responds to management transactions.

Receive power management (RXCC mode) is activated by setting the RXCC bit in the **MR16** register. In this mode of operation, the adaptive equalizer, the clock recovery phase lock loop (PLL), and all other receive circuitry are powered down. As soon as a valid signal is detected, all circuits are automatically powered up to resume normal operation. Note that the RXCC mode is not supported during 10BASE-T operation.

#### 15.2.3.6 LED Indicators

The Ethernet Controller supports two LED signals that can be used to indicate various states of operation. These signals are mapped to the LED0 and LED1 pins. By default, these pins are configured as GPIO signals (PF3 and PF2). For the PHY layer to drive these signals, they must be reconfigured to their alternate function. See “General-Purpose Input/Outputs (GPIOs)” on page 170 for additional details. The function of these pins is programmable via the PHY layer **Ethernet PHY Management Register 23 - LED Configuration (MR23)**. Refer to page 430 for additional details on how to program these LED functions.

#### 15.2.4 Interrupts

The Ethernet Controller can generate an interrupt for one or more of the following conditions:

- A frame has been received into an empty RX FIFO
- A frame transmission error has occurred
- A frame has been transmitted successfully
- A frame has been received with inadequate room in the RX FIFO (overrun)
- A frame has been received with one or more error conditions (for example, FCS failed)
- An MII management transaction between the MAC and PHY layers has completed
- One or more of the following PHY layer conditions occurs:

- Auto-Negotiate Complete
- Remote Fault
- Link Status Change
- Link Partner Acknowledge
- Parallel Detect Fault
- Page Received
- Receive Error
- Jabber Event Detected

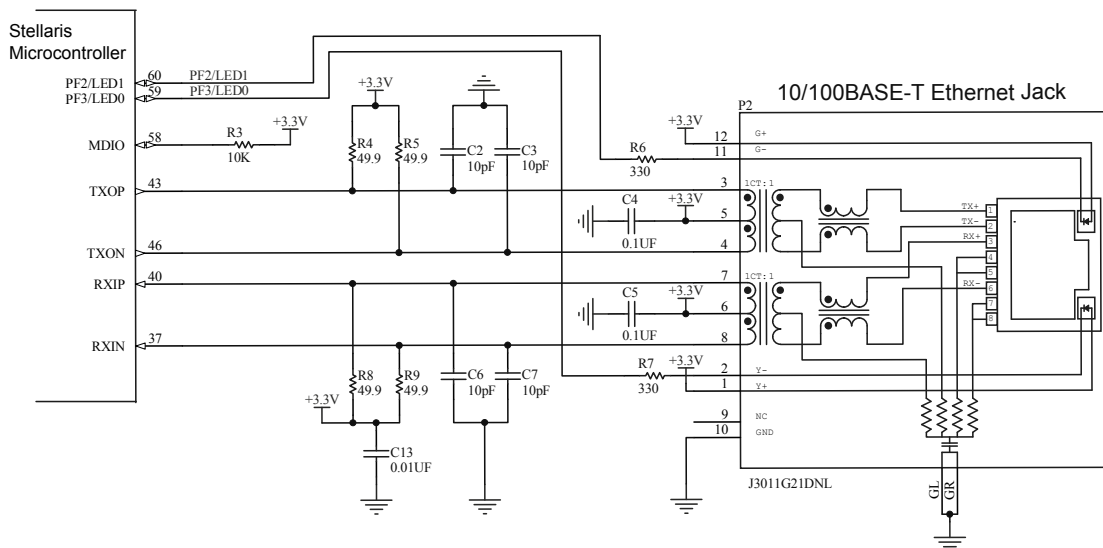
## 15.3 Initialization and Configuration

The following sections describe the hardware and software configuration required to set up the Ethernet Controller.

### 15.3.1 Hardware Configuration

Figure 15-4 on page 392 shows the proper method for interfacing the Ethernet Controller to a 10/100BASE-T Ethernet jack.

**Figure 15-4. Interface to an Ethernet Jack**



The following isolation transformers have been tested and are known to successfully interface to the Ethernet PHY layer.

- Isolation Transformers
  - TDK TLA-6T103
  - Bel-Fuse S558-5999-46
  - Halo TG22-3506ND
  - Pulse PE-68515
  - Valor ST6118



- YCL 20PMT04
- Isolation transformers in low profile packages (0.100 in/2.5 mm or less)
  - TDK TLA-6T118
  - Halo TG110-S050
  - PCA EPF8023G
- Isolation transformers with integrated RJ45 connector
  - TDK TLA-6T704
  - Delta RJS-1A08T089A
- Isolation transformers with integrated RJ45 connector, LEDs and termination resistors
  - Pulse J0011D21B/E
  - Pulse J3011G21DNL

### 15.3.2 Software Configuration

To use the Ethernet Controller, it must be enabled by setting the `EPHY0` and `EMAC0` bits in the `RCGC2` register (see page 113). The following steps can then be used to configure the Ethernet Controller for basic operation.

1. Program the `MACDIV` register to obtain a 2.5 MHz clock (or less) on the internal MII. Assuming a 20-MHz system clock, the `MACDIV` value should be 0x03 or greater.
2. Program the `MACIA0` and `MACIA1` register for address filtering.
3. Program the `MACTCTL` register for Auto CRC generation, padding, and full-duplex operation using a value of 0x16.
4. Program the `MACRCTL` register to flush the receive FIFO and reject frames with bad FCS using a value of 0x18.
5. Enable both the Transmitter and Receive by setting the LSB in both the `MACTCTL` and `MACRCTL` registers.
6. To transmit a frame, write the frame into the TX FIFO using the **Ethernet MAC Data (MACDATA)** register. Then set the `NEWTX` bit in the **Ethernet Mac Transmission Request (MACTR)** register to initiate the transmit process. When the `NEWTX` bit has been cleared, the TX FIFO is available for the next transmit frame.
7. To receive a frame, wait for the `NPR` field in the **Ethernet MAC Number of Packets (MACNP)** register to be non-zero. Then begin reading the frame from the RX FIFO by using the `MACDATA` register. To ensure that the entire packet is received, either use the DriverLib `EthernetPacketGet()` API or compare the number of bytes received to the Length field from the frame to determine when the packet has been completely read.

## 15.4 Ethernet Register Map

Table 15-2 on page 394 lists the Ethernet MAC registers. All addresses given are relative to the Ethernet MAC base address of 0x4004.8000.

The *IEEE 802.3* standard specifies a register set for controlling and gathering status from the PHY layer. The registers are collectively known as the MII Management registers and are detailed in Section 22.2.4 of the *IEEE 802.3 specification*. Table 15-2 on page 394 also lists these MII Management registers. *All addresses given are absolute and are written directly to the `REGADR` field of the **Ethernet MAC Management Control (MACMCTL)** register.* The format of registers 0 to 15 are defined by the IEEE specification and are common to all PHY layer implementations. The only variance allowed is for features that may or may not be supported by a specific PHY implementation.

Registers 16 to 31 are vendor-specific registers, used to support features that are specific to a vendor's PHY implementation. Vendor-specific registers not listed are reserved.

**Table 15-2. Ethernet Register Map**

| Offset                | Name           | Type  | Reset       | Description  | See page |
|-----------------------|----------------|-------|-------------|--|----------|
| <b>Ethernet MAC</b>   |                |       |             |  |          |
| 0x000                 | MACRIS/MACIACK | R/W1C | 0x0000.0000 | Ethernet MAC Raw Interrupt Status/Acknowledge  | 396      |
| 0x004                 | MACIM          | R/W   | 0x0000.007F | Ethernet MAC Interrupt Mask  | 399      |
| 0x008                 | MACRCTL        | R/W   | 0x0000.0008 | Ethernet MAC Receive Control   | 400      |
| 0x00C                 | MACTCTL        | R/W   | 0x0000.0000 | Ethernet MAC Transmit Control  | 401      |
| 0x010                 | MACDATA        | R/W   | 0x0000.0000 | Ethernet MAC Data  | 402      |
| 0x014                 | MACIA0         | R/W   | 0x0000.0000 | Ethernet MAC Individual Address 0  | 404      |
| 0x018                 | MACIA1         | R/W   | 0x0000.0000 | Ethernet MAC Individual Address 1  | 405      |
| 0x01C                 | MACTHR         | R/W   | 0x0000.003F | Ethernet MAC Threshold   | 406      |
| 0x020                 | MACMCTL        | R/W   | 0x0000.0000 | Ethernet MAC Management Control  | 408      |
| 0x024                 | MACMDV         | R/W   | 0x0000.0080 | Ethernet MAC Management Divider  | 409      |
| 0x02C                 | MACMTXD        | R/W   | 0x0000.0000 | Ethernet MAC Management Transmit Data  | 410      |
| 0x030                 | MACMRXD        | R/W   | 0x0000.0000 | Ethernet MAC Management Receive Data   | 411      |
| 0x034                 | MACNP          | RO    | 0x0000.0000 | Ethernet MAC Number of Packets   | 412      |
| 0x038                 | MACTR          | R/W   | 0x0000.0000 | Ethernet MAC Transmission Request  | 413      |
| <b>MII Management</b> |                |       |             |  |          |
| -                     | MR0            | R/W   | 0x3100      | Ethernet PHY Management Register 0 – Control   | 414      |
| -                     | MR1            | RO    | 0x7849      | Ethernet PHY Management Register 1 – Status  | 416      |
| -                     | MR2            | RO    | 0x000E      | Ethernet PHY Management Register 2 – PHY Identifier 1                                | 418      |
| -                     | MR3            | RO    | 0x7237      | Ethernet PHY Management Register 3 – PHY Identifier 2                                | 419      |
| -                     | MR4            | R/W   | 0x01E1      | Ethernet PHY Management Register 4 – Auto-Negotiation Advertisement                  | 420      |
| -                     | MR5            | RO    | 0x0000      | Ethernet PHY Management Register 5 – Auto-Negotiation Link Partner Base Page Ability | 422      |
| -                     | MR6            | RO    | 0x0000      | Ethernet PHY Management Register 6 – Auto-Negotiation Expansion                      | 423      |
| -                     | MR16           | R/W   | 0x0140      | Ethernet PHY Management Register 16 – Vendor-Specific                                | 424      |
| -                     | MR17           | R/W   | 0x0000      | Ethernet PHY Management Register 17 – Interrupt Control/Status                       | 426      |
| -                     | MR18           | RO    | 0x0000      | Ethernet PHY Management Register 18 – Diagnostic                                     | 428      |

**Table 15-2. Ethernet Register Map (continued)**

| Offset | Name | Type | Reset  | Description   | See page |
|--------|------|------|--------|---|----------|
| -      | MR19 | R/W  | 0x4000 | Ethernet PHY Management Register 19 – Transceiver Control | 429      |
| -      | MR23 | R/W  | 0x0010 | Ethernet PHY Management Register 23 – LED Configuration   | 430      |
| -      | MR24 | R/W  | 0x00C0 | Ethernet PHY Management Register 24 –MDI/MDIX Control     | 431      |

## 15.5 Ethernet MAC Register Descriptions

The remainder of this section lists and describes the Ethernet MAC registers, in numerical order by address offset. Also see “MII Management Register Descriptions” on page 413.

## Register 1: Ethernet MAC Raw Interrupt Status/Acknowledge (MACRIS/MACIACK), offset 0x000

The **MACRIS/MACIACK** register is the interrupt status and acknowledge register. On a read, this register gives the current status value of the corresponding interrupt prior to masking. On a write, setting any bit clears the corresponding interrupt status bit.

### Reads

#### Ethernet MAC Raw Interrupt Status/Acknowledge (MACRIS/MACIACK)

Base 0x4004.8000

Offset 0x000

Type RO, reset 0x0000.0000

|       |          |    |    |    |    |    |    |    |    |    |        |       |      |     |       |      |       |
|-------|----------|----|----|----|----|----|----|----|----|----|--------|-------|------|-----|-------|------|-------|
|       | 31       | 30 | 29 | 28 | 27 | 26 | 25 | 24 | 23 | 22 | 21     | 20    | 19   | 18  | 17    | 16   |       |
|       | reserved |    |    |    |    |    |    |    |    |    |        |       |      |     |       |      |       |
| Type  | RO       | RO | RO | RO | RO | RO | RO | RO | RO | RO | RO     | RO    | RO   | RO  | RO    | RO   |       |
| Reset | 0        | 0  | 0  | 0  | 0  | 0  | 0  | 0  | 0  | 0  | 0      | 0     | 0    | 0   | 0     | 0    |       |
|       | 15       | 14 | 13 | 12 | 11 | 10 | 9  | 8  | 7  | 6  | 5      | 4     | 3    | 2   | 1     | 0    |       |
|       | reserved |    |    |    |    |    |    |    |    |    | PHYINT | MDINT | RXER | FOV | TXEMP | TXER | RXINT |
| Type  | RO       | RO | RO | RO | RO | RO | RO | RO | RO | RO | RO     | RO    | RO   | RO  | RO    | RO   |       |
| Reset | 0        | 0  | 0  | 0  | 0  | 0  | 0  | 0  | 0  | 0  | 0      | 0     | 0    | 0   | 0     | 0    |       |

| Bit/Field | Name     | Type | Reset     | Description   |
|-----------|----------|------|-----------|---|
| 31:7      | reserved | RO   | 0x0000.00 | Software should not rely on the value of a reserved bit. To provide compatibility with future products, the value of a reserved bit should be preserved across a read-modify-write operation.   |
| 6         | PHYINT   | RO   | 0         | PHY Interrupt<br><br>When set, indicates that an enabled interrupt in the PHY layer has occurred. <b>MR17</b> in the PHY must be read to determine the specific PHY event that triggered this interrupt.  |
| 5         | MDINT    | RO   | 0         | MII Transaction Complete<br><br>When set, indicates that a transaction (read or write) on the MII interface has completed successfully.   |
| 4         | RXER     | RO   | 0         | Receive Error<br><br>This bit indicates that an error was encountered on the receiver. The possible errors that can cause this interrupt bit to be set are: <ul style="list-style-type: none"> <li>■ A receive error occurs during the reception of a frame (100 Mb/s only).</li> <li>■ The frame is not an integer number of bytes (dribble bits) due to an alignment error.</li> <li>■ The CRC of the frame does not pass the FCS check.</li> <li>■ The length/type field is inconsistent with the frame data size when interpreted as a length field.</li> </ul> |
| 3         | FOV      | RO   | 0         | FIFO Overrun<br><br>When set, indicates that an overrun was encountered on the receive FIFO.  |

| Bit/Field | Name  | Type | Reset | Description   |
|-----------|-------|------|-------|---|
| 2         | TXEMP | RO   | 0     | Transmit FIFO Empty<br>When set, indicates that the packet was transmitted and that the TX FIFO is empty.   |
| 1         | TXER  | RO   | 0     | Transmit Error<br>When set, indicates that an error was encountered on the transmitter. The possible errors that can cause this interrupt bit to be set are: <ul style="list-style-type: none"> <li>■ The data length field stored in the TX FIFO exceeds 2032 decimal (buffer length - 16 bytes of header data). The frame is not sent when this error occurs.</li> <li>■ The retransmission attempts during the backoff process have exceeded the maximum limit of 16 decimal.</li> </ul> |
| 0         | RXINT | RO   | 0     | Packet Received<br>When set, indicates that at least one packet has been received and is stored in the receiver FIFO.   |

## Writes

### Ethernet MAC Raw Interrupt Status/Acknowledge (MACRIS/MACIACK)

Base 0x4004.8000  
Offset 0x000  
Type WO, reset 0x0000.0000

|       | 31       | 30 | 29 | 28 | 27 | 26 | 25 | 24 | 23 | 22 | 21     | 20    | 19   | 18  | 17    | 16   |       |
|-------|----------|----|----|----|----|----|----|----|----|----|--------|-------|------|-----|-------|------|-------|
|       | reserved |    |    |    |    |    |    |    |    |    |        |       |      |     |       |      |       |
| Type  | RO       | RO | RO | RO | RO | RO | RO | RO | RO | RO | RO     | RO    | RO   | RO  | RO    | RO   |       |
| Reset | 0        | 0  | 0  | 0  | 0  | 0  | 0  | 0  | 0  | 0  | 0      | 0     | 0    | 0   | 0     | 0    |       |
|       | 15       | 14 | 13 | 12 | 11 | 10 | 9  | 8  | 7  | 6  | 5      | 4     | 3    | 2   | 1     | 0    |       |
|       | reserved |    |    |    |    |    |    |    |    |    | PHYINT | MDINT | RXER | FOV | TXEMP | TXER | RXINT |
| Type  | RO       | RO | RO | RO | RO | RO | RO | RO | RO | RO | W1C    | W1C   | W1C  | W1C | W1C   | W1C  |       |
| Reset | 0        | 0  | 0  | 0  | 0  | 0  | 0  | 0  | 0  | 0  | 0      | 0     | 0    | 0   | 0     | 0    |       |

| Bit/Field | Name     | Type | Reset     | Description   |
|-----------|----------|------|-----------|---|
| 31:7      | reserved | RO   | 0x0000.00 | Software should not rely on the value of a reserved bit. To provide compatibility with future products, the value of a reserved bit should be preserved across a read-modify-write operation. |
| 6         | PHYINT   | W1C  | 0         | Clear PHY Interrupt<br>Setting this bit clears the <code>PHYINT</code> interrupt in the <b>MACRIS</b> register.   |
| 5         | MDINT    | W1C  | 0         | Clear MII Transaction Complete<br>Setting this bit clears the <code>MDINT</code> interrupt in the <b>MACRIS</b> register.   |
| 4         | RXER     | W1C  | 0         | Clear Receive Error<br>Setting this bit clears the <code>RXER</code> interrupt in the <b>MACRIS</b> register.   |
| 3         | FOV      | W1C  | 0         | Clear FIFO Overrun<br>Setting this bit clears the <code>FOV</code> interrupt in the <b>MACRIS</b> register.   |

| Bit/Field | Name  | Type | Reset | Description  |
|-----------|-------|------|-------|--|
| 2         | TXEMP | W1C  | 0     | Clear Transmit FIFO Empty<br>Setting this bit clears the TXEMP interrupt in the <b>MACRIS</b> register.                                |
| 1         | TXER  | W1C  | 0     | Clear Transmit Error<br>Setting this bit clears the TXER interrupt in the <b>MACRIS</b> register and resets the TX FIFO write pointer. |
| 0         | RXINT | W1C  | 0     | Clear Packet Received<br>Setting this bit clears the RXINT interrupt in the <b>MACRIS</b> register.                                    |

## Register 2: Ethernet MAC Interrupt Mask (MACIM), offset 0x004

This register allows software to enable/disable Ethernet MAC interrupts. Clearing a bit disables the interrupt, while setting the bit enables it.

### Ethernet MAC Interrupt Mask (MACIM)

Base 0x4004.8000  
Offset 0x004  
Type R/W, reset 0x0000.007F

|       |          |    |    |    |    |    |    |    |    |    |         |        |       |      |        |       |        |
|-------|----------|----|----|----|----|----|----|----|----|----|---------|--------|-------|------|--------|-------|--------|
|       | 31       | 30 | 29 | 28 | 27 | 26 | 25 | 24 | 23 | 22 | 21      | 20     | 19    | 18   | 17     | 16    |        |
|       | reserved |    |    |    |    |    |    |    |    |    |         |        |       |      |        |       |        |
| Type  | RO       | RO | RO | RO | RO | RO | RO | RO | RO | RO | RO      | RO     | RO    | RO   | RO     | RO    |        |
| Reset | 0        | 0  | 0  | 0  | 0  | 0  | 0  | 0  | 0  | 0  | 0       | 0      | 0     | 0    | 0      | 0     |        |
|       | 15       | 14 | 13 | 12 | 11 | 10 | 9  | 8  | 7  | 6  | 5       | 4      | 3     | 2    | 1      | 0     |        |
|       | reserved |    |    |    |    |    |    |    |    |    | PHYINTM | MDINTM | RXERM | FOVM | TXEMPM | TXERM | RXINTM |
| Type  | RO       | RO | RO | RO | RO | RO | RO | RO | RO | RO | R/W     | R/W    | R/W   | R/W  | R/W    | R/W   |        |
| Reset | 0        | 0  | 0  | 0  | 0  | 0  | 0  | 0  | 0  | 0  | 1       | 1      | 1     | 1    | 1      | 1     |        |

| Bit/Field | Name     | Type | Reset     | Description   |
|-----------|----------|------|-----------|---|
| 31:7      | reserved | RO   | 0x0000.00 | Software should not rely on the value of a reserved bit. To provide compatibility with future products, the value of a reserved bit should be preserved across a read-modify-write operation. |
| 6         | PHYINTM  | R/W  | 1         | Mask PHY Interrupt<br><br>Clearing this bit masks the <code>PHYINT</code> bit in the <b>MACRIS</b> register from being set.   |
| 5         | MDINTM   | R/W  | 1         | Mask MII Transaction Complete<br><br>Clearing this bit masks the <code>MDINT</code> bit in the <b>MACRIS</b> register from being set.   |
| 4         | RXERM    | R/W  | 1         | Mask Receive Error<br><br>Clearing this bit masks the <code>RXER</code> bit in the <b>MACRIS</b> register from being set.   |
| 3         | FOVM     | R/W  | 1         | Mask FIFO Overrun<br><br>Clearing this bit masks the <code>FOV</code> bit in the <b>MACRIS</b> register from being set.   |
| 2         | TXEMPM   | R/W  | 1         | Mask Transmit FIFO Empty<br><br>Clearing this bit masks the <code>TXEMP</code> bit in the <b>MACRIS</b> register from being set.  |
| 1         | TXERM    | R/W  | 1         | Mask Transmit Error<br><br>Clearing this bit masks the <code>TXER</code> bit in the <b>MACRIS</b> register from being set.  |
| 0         | RXINTM   | R/W  | 1         | Mask Packet Received<br><br>Clearing this bit masks the <code>RXINT</code> bit in the <b>MACRIS</b> register from being set.  |

### Register 3: Ethernet MAC Receive Control (MACRCTL), offset 0x008

This register configures the receiver and controls the types of frames that are received.

It is important to note that when the receiver is enabled, all valid frames with a broadcast address of FF-FF-FF-FF-FF-FF in the Destination Address field are received and stored in the RX FIFO, even if the `AMUL` bit is not set.

#### Ethernet MAC Receive Control (MACRCTL)

Base 0x4004.8000  
Offset 0x008  
Type R/W, reset 0x0000.0008

|       |          |    |    |    |    |    |    |    |    |    |    |    |         |        |      |      |      |
|-------|----------|----|----|----|----|----|----|----|----|----|----|----|---------|--------|------|------|------|
|       | 31       | 30 | 29 | 28 | 27 | 26 | 25 | 24 | 23 | 22 | 21 | 20 | 19      | 18     | 17   | 16   |      |
|       | reserved |    |    |    |    |    |    |    |    |    |    |    |         |        |      |      |      |
| Type  | RO       | RO | RO | RO | RO | RO | RO | RO | RO | RO | RO | RO | RO      | RO     | RO   | RO   |      |
| Reset | 0        | 0  | 0  | 0  | 0  | 0  | 0  | 0  | 0  | 0  | 0  | 0  | 0       | 0      | 0    | 0    |      |
|       | 15       | 14 | 13 | 12 | 11 | 10 | 9  | 8  | 7  | 6  | 5  | 4  | 3       | 2      | 1    | 0    |      |
|       | reserved |    |    |    |    |    |    |    |    |    |    |    | RSTFIFO | BADCRC | PRMS | AMUL | RXEN |
| Type  | RO       | RO | RO | RO | RO | RO | RO | RO | RO | RO | RO | RO | R/W     | R/W    | R/W  | R/W  | R/W  |
| Reset | 0        | 0  | 0  | 0  | 0  | 0  | 0  | 0  | 0  | 0  | 0  | 0  | 0       | 1      | 0    | 0    | 0    |

| Bit/Field | Name     | Type | Reset      | Description   |
|-----------|----------|------|------------|---|
| 31:5      | reserved | RO   | 0x0000.000 | Software should not rely on the value of a reserved bit. To provide compatibility with future products, the value of a reserved bit should be preserved across a read-modify-write operation.   |
| 4         | RSTFIFO  | R/W  | 0          | <p>Clear Receive FIFO</p> <p>When set, this bit clears the receive FIFO. This should be done when software initialization is performed.</p> <p>It is recommended that the receiver be disabled (<code>RXEN = 0</code>), before a reset is initiated (<code>RSTFIFO = 1</code>). This sequence flushes and resets the RX FIFO.</p> <p>This bit is automatically cleared when read.</p> |
| 3         | BADCRC   | R/W  | 1          | <p>Enable Reject Bad CRC</p> <p>When set, the <code>BADCRC</code> bit enables the rejection of frames with an incorrectly calculated CRC. If a bad CRC is encountered, the <code>RXER</code> bit in the <code>MACRIS</code> register is set and the receiver FIFO is reset.</p>   |
| 2         | PRMS     | R/W  | 0          | <p>Enable Promiscuous Mode</p> <p>When set, the <code>PRMS</code> bit enables Promiscuous mode, which accepts all valid frames, regardless of the specified Destination Address.</p>  |
| 1         | AMUL     | R/W  | 0          | <p>Enable Multicast Frames</p> <p>When set, the <code>AMUL</code> bit enables the reception of multicast frames.</p>  |
| 0         | RXEN     | R/W  | 0          | <p>Enable Receiver</p> <p>When set the <code>RXEN</code> bit enables the Ethernet receiver. When this bit is clear, the receiver is disabled and all frames are ignored.</p>  |



## Register 4: Ethernet MAC Transmit Control (MACTCTL), offset 0x00C

This register configures the transmitter and controls the frames that are transmitted.

### Ethernet MAC Transmit Control (MACTCTL)

Base 0x4004.8000  
Offset 0x00C  
Type R/W, reset 0x0000.0000

|       |          |    |    |    |    |    |    |    |    |    |    |     |        |          |     |       |      |
|-------|----------|----|----|----|----|----|----|----|----|----|----|-----|--------|----------|-----|-------|------|
|       | 31       | 30 | 29 | 28 | 27 | 26 | 25 | 24 | 23 | 22 | 21 | 20  | 19     | 18       | 17  | 16    |      |
|       | reserved |    |    |    |    |    |    |    |    |    |    |     |        |          |     |       |      |
| Type  | RO       | RO | RO | RO | RO | RO | RO | RO | RO | RO | RO | RO  | RO     | RO       | RO  | RO    |      |
| Reset | 0        | 0  | 0  | 0  | 0  | 0  | 0  | 0  | 0  | 0  | 0  | 0   | 0      | 0        | 0   | 0     |      |
|       | 15       | 14 | 13 | 12 | 11 | 10 | 9  | 8  | 7  | 6  | 5  | 4   | 3      | 2        | 1   | 0     |      |
|       | reserved |    |    |    |    |    |    |    |    |    |    |     | DUPLEX | reserved | CRC | PADEN | TXEN |
| Type  | RO       | RO | RO | RO | RO | RO | RO | RO | RO | RO | RO | R/W | RO     | R/W      | R/W | R/W   |      |
| Reset | 0        | 0  | 0  | 0  | 0  | 0  | 0  | 0  | 0  | 0  | 0  | 0   | 0      | 0        | 0   | 0     |      |

| Bit/Field | Name     | Type | Reset      | Description  |
|-----------|----------|------|------------|--|
| 31:5      | reserved | RO   | 0x0000.000 | Software should not rely on the value of a reserved bit. To provide compatibility with future products, the value of a reserved bit should be preserved across a read-modify-write operation.  |
| 4         | DUPLEX   | R/W  | 0          | Enable Duplex Mode<br><br>When set, this bit enables Duplex mode, allowing simultaneous transmission and reception.  |
| 3         | reserved | RO   | 0          | Software should not rely on the value of a reserved bit. To provide compatibility with future products, the value of a reserved bit should be preserved across a read-modify-write operation.  |
| 2         | CRC      | R/W  | 0          | Enable CRC Generation<br><br>When set this bit enables the automatic generation of the CRC and its placement at the end of the packet. If this bit is clear, the frames placed in the TX FIFO are sent exactly as they are written into the FIFO.<br><br>Note that this bit should generally be set. |
| 1         | PADEN    | R/W  | 0          | Enable Packet Padding<br><br>When set, this bit enables the automatic padding of packets that do not meet the minimum frame size.<br><br>Note that this bit should generally be set.   |
| 0         | TXEN     | R/W  | 0          | Enable Transmitter<br><br>When set, this bit enables the transmitter. When this bit is clear, the transmitter is disabled.   |

## Register 5: Ethernet MAC Data (MACDATA), offset 0x010

**Important:** Use caution when reading this register. Performing a read may change bit status.

This register enables software to access the TX and RX FIFOs.

Reads from this register return the data stored in the RX FIFO from the location indicated by the read pointer. The read pointer is then auto incremented to the next RX FIFO location. Reading from the RX FIFO when a frame has not been received or is in the process of being received will return indeterminate data and not increment the read pointer.

Writes to this register store the data in the TX FIFO at the location indicated by the write pointer. The write pointer is the auto incremented to the next TX FIFO location. Writing more data into the TX FIFO than indicated in the length field will result in the data being lost. Writing less data into the TX FIFO than indicated in the length field will result in indeterminate data being appended to the end of the frame to achieve the indicated length. Attempting to write the next frame into the TX FIFO before transmission of the first has completed will result in the data being lost.

There is no mechanism for randomly accessing bytes in either the RX or TX FIFOs. Data must be read from the RX FIFO sequentially and stored in a buffer for further processing. Once a read has been performed, the data in the FIFO cannot be re-read. Data must be written to the TX FIFO sequentially. If an error is made in placing the frame into the TX FIFO, the write pointer can be reset to the start of the TX FIFO by writing the `TXER` bit of the `MACIACK` register and then the data re-written.

### Reads

#### Ethernet MAC Data (MACDATA)

Base 0x4004.8000  
Offset 0x010  
Type RO, reset 0x0000.0000

|       | 31     | 30 | 29 | 28 | 27 | 26 | 25 | 24 | 23 | 22 | 21 | 20 | 19 | 18 | 17 | 16 |
|-------|--------|----|----|----|----|----|----|----|----|----|----|----|----|----|----|----|
|       | RXDATA |    |    |    |    |    |    |    |    |    |    |    |    |    |    |    |
| Type  | RO     | RO | RO | RO | RO | RO | RO | RO | RO | RO | RO | RO | RO | RO | RO | RO |
| Reset | 0      | 0  | 0  | 0  | 0  | 0  | 0  | 0  | 0  | 0  | 0  | 0  | 0  | 0  | 0  | 0  |
|       | 15     | 14 | 13 | 12 | 11 | 10 | 9  | 8  | 7  | 6  | 5  | 4  | 3  | 2  | 1  | 0  |
|       | RXDATA |    |    |    |    |    |    |    |    |    |    |    |    |    |    |    |
| Type  | RO     | RO | RO | RO | RO | RO | RO | RO | RO | RO | RO | RO | RO | RO | RO | RO |
| Reset | 0      | 0  | 0  | 0  | 0  | 0  | 0  | 0  | 0  | 0  | 0  | 0  | 0  | 0  | 0  | 0  |

| Bit/Field | Name   | Type | Reset       | Description       |
|-----------|--------|------|-------------|-------------------|
| 31:0      | RXDATA | RO   | 0x0000.0000 | Receive FIFO Data |

The `RXDATA` bits represent the next word of data stored in the RX FIFO.

**Writes****Ethernet MAC Data (MACDATA)**

Base 0x4004.8000

Offset 0x010

Type WO, reset 0x0000.0000

|       |        |    |    |    |    |    |    |    |    |    |    |    |    |    |    |    |
|-------|--------|----|----|----|----|----|----|----|----|----|----|----|----|----|----|----|
|       | 31     | 30 | 29 | 28 | 27 | 26 | 25 | 24 | 23 | 22 | 21 | 20 | 19 | 18 | 17 | 16 |
|       | TXDATA |    |    |    |    |    |    |    |    |    |    |    |    |    |    |    |
| Type  | WO     | WO | WO | WO | WO | WO | WO | WO | WO | WO | WO | WO | WO | WO | WO | WO |
| Reset | 0      | 0  | 0  | 0  | 0  | 0  | 0  | 0  | 0  | 0  | 0  | 0  | 0  | 0  | 0  | 0  |
|       | 15     | 14 | 13 | 12 | 11 | 10 | 9  | 8  | 7  | 6  | 5  | 4  | 3  | 2  | 1  | 0  |
|       | TXDATA |    |    |    |    |    |    |    |    |    |    |    |    |    |    |    |
| Type  | WO     | WO | WO | WO | WO | WO | WO | WO | WO | WO | WO | WO | WO | WO | WO | WO |
| Reset | 0      | 0  | 0  | 0  | 0  | 0  | 0  | 0  | 0  | 0  | 0  | 0  | 0  | 0  | 0  | 0  |

| Bit/Field | Name   | Type | Reset       | Description        |
|-----------|--------|------|-------------|--------------------|
| 31:0      | TXDATA | WO   | 0x0000.0000 | Transmit FIFO Data |

The TXDATA bits represent the next word of data to place in the TX FIFO for transmission.

**Register 6: Ethernet MAC Individual Address 0 (MACIA0), offset 0x014**

This register enables software to program the first four bytes of the hardware MAC address of the Network Interface Card (NIC). (The last two bytes are in **MACIA1**). The 6-byte Individual Address is compared against the incoming Destination Address fields to determine whether the frame should be received.

## Ethernet MAC Individual Address 0 (MACIA0)

Base 0x4004.8000  
Offset 0x014  
Type R/W, reset 0x0000.0000

|       |         |     |     |     |     |     |     |     |         |     |     |     |     |     |     |     |
|-------|---------|-----|-----|-----|-----|-----|-----|-----|---------|-----|-----|-----|-----|-----|-----|-----|
|       | 31      | 30  | 29  | 28  | 27  | 26  | 25  | 24  | 23      | 22  | 21  | 20  | 19  | 18  | 17  | 16  |
|       | MACOCT4 |     |     |     |     |     |     |     | MACOCT3 |     |     |     |     |     |     |     |
| Type  | R/W     | R/W | R/W | R/W | R/W | R/W | R/W | R/W | R/W     | R/W | R/W | R/W | R/W | R/W | R/W | R/W |
| Reset | 0       | 0   | 0   | 0   | 0   | 0   | 0   | 0   | 0       | 0   | 0   | 0   | 0   | 0   | 0   | 0   |
|       | 15      | 14  | 13  | 12  | 11  | 10  | 9   | 8   | 7       | 6   | 5   | 4   | 3   | 2   | 1   | 0   |
|       | MACOCT2 |     |     |     |     |     |     |     | MACOCT1 |     |     |     |     |     |     |     |
| Type  | R/W     | R/W | R/W | R/W | R/W | R/W | R/W | R/W | R/W     | R/W | R/W | R/W | R/W | R/W | R/W | R/W |
| Reset | 0       | 0   | 0   | 0   | 0   | 0   | 0   | 0   | 0       | 0   | 0   | 0   | 0   | 0   | 0   | 0   |

| Bit/Field | Name    | Type | Reset | Description   |
|-----------|---------|------|-------|---|
| 31:24     | MACOCT4 | R/W  | 0x00  | MAC Address Octet 4<br><br>The <b>MACOCT4</b> bits represent the fourth octet of the MAC address used to uniquely identify the Ethernet Controller. |
| 23:16     | MACOCT3 | R/W  | 0x00  | MAC Address Octet 3<br><br>The <b>MACOCT3</b> bits represent the third octet of the MAC address used to uniquely identify the Ethernet Controller.  |
| 15:8      | MACOCT2 | R/W  | 0x00  | MAC Address Octet 2<br><br>The <b>MACOCT2</b> bits represent the second octet of the MAC address used to uniquely identify the Ethernet Controller. |
| 7:0       | MACOCT1 | R/W  | 0x00  | MAC Address Octet 1<br><br>The <b>MACOCT1</b> bits represent the first octet of the MAC address used to uniquely identify the Ethernet Controller.  |

**Register 7: Ethernet MAC Individual Address 1 (MACIA1), offset 0x018**

This register enables software to program the last two bytes of the hardware MAC address of the Network Interface Card (NIC). (The first four bytes are in **MACIA0**). The 6-byte IAR is compared against the incoming Destination Address fields to determine whether the frame should be received.

## Ethernet MAC Individual Address 1 (MACIA1)

Base 0x4004.8000  
Offset 0x018  
Type R/W, reset 0x0000.0000

|       |          |     |     |     |     |     |     |     |         |     |     |     |     |     |     |     |
|-------|----------|-----|-----|-----|-----|-----|-----|-----|---------|-----|-----|-----|-----|-----|-----|-----|
|       | 31       | 30  | 29  | 28  | 27  | 26  | 25  | 24  | 23      | 22  | 21  | 20  | 19  | 18  | 17  | 16  |
|       | reserved |     |     |     |     |     |     |     |         |     |     |     |     |     |     |     |
| Type  | RO       | RO  | RO  | RO  | RO  | RO  | RO  | RO  | RO      | RO  | RO  | RO  | RO  | RO  | RO  | RO  |
| Reset | 0        | 0   | 0   | 0   | 0   | 0   | 0   | 0   | 0       | 0   | 0   | 0   | 0   | 0   | 0   | 0   |
|       | 15       | 14  | 13  | 12  | 11  | 10  | 9   | 8   | 7       | 6   | 5   | 4   | 3   | 2   | 1   | 0   |
|       | MACOCT6  |     |     |     |     |     |     |     | MACOCT5 |     |     |     |     |     |     |     |
| Type  | R/W      | R/W | R/W | R/W | R/W | R/W | R/W | R/W | R/W     | R/W | R/W | R/W | R/W | R/W | R/W | R/W |
| Reset | 0        | 0   | 0   | 0   | 0   | 0   | 0   | 0   | 0       | 0   | 0   | 0   | 0   | 0   | 0   | 0   |

| Bit/Field | Name     | Type | Reset  | Description   |
|-----------|----------|------|--------|---|
| 31:16     | reserved | RO   | 0x0000 | Software should not rely on the value of a reserved bit. To provide compatibility with future products, the value of a reserved bit should be preserved across a read-modify-write operation. |
| 15:8      | MACOCT6  | R/W  | 0x00   | MAC Address Octet 6<br><br>The <b>MACOCT6</b> bits represent the sixth octet of the MAC address used to uniquely identify each Ethernet Controller.   |
| 7:0       | MACOCT5  | R/W  | 0x00   | MAC Address Octet 5<br><br>The <b>MACOCT5</b> bits represent the fifth octet of the MAC address used to uniquely identify the Ethernet Controller.  |

### Register 8: Ethernet MAC Threshold (MACTHR), offset 0x01C

In order to increase the transmission rate, it is possible to program the Ethernet Controller to begin transmission of the next frame prior to the completion of the transmission of the current frame. Note: Extreme care must be used when implementing this function. Software must be able to guarantee that the complete frame is able to be stored in the transmission FIFO prior to the completion of the transmission frame.

This register enables software to set the threshold level at which the transmission of the frame begins. If the THRESH bits are set to 0x3F, which is the reset value, the early transmission feature is disabled, and transmission does not start until the NEWTX bit is set in the MACTR register.

Writing the THRESH bits to any value besides 0x3F enables the early transmission feature. Once the byte count of data in the TX FIFO reaches the value derived from the THRESH bits as shown below, transmission of the frame begins. When THRESH is set to all 0s, transmission of the frame begins after 4 bytes (a single write) are stored in the TX FIFO. Each increment of the THRESH bit field waits for an additional 32 bytes of data (eight writes) to be stored in the TX FIFO. Therefore, a value of 0x01 causes the transmitter to wait for 36 bytes of data to be written while a value of 0x02 makes the wait equal to 68 bytes of written data. In general, early transmission starts when:

$$\text{Number of Bytes} \geq 4 (\text{THRESH} \times 8 + 1)$$

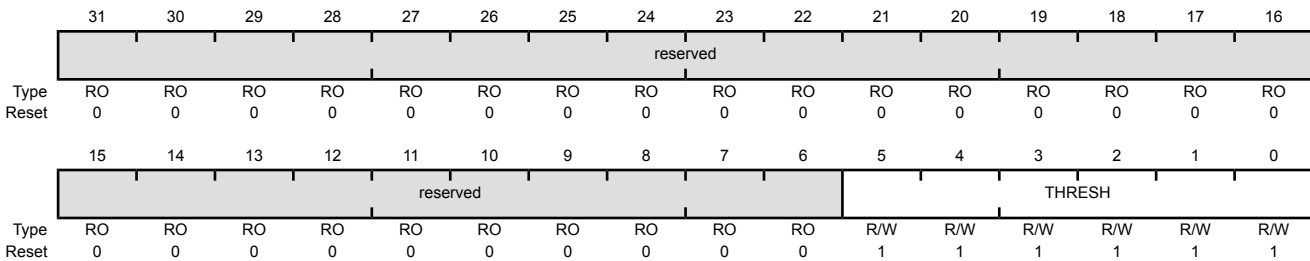
Reaching the threshold level has the same effect as setting the NEWTX bit in the MACTR register. Transmission of the frame begins and then the number of bytes indicated by the Data Length field is transmitted. Because under-run checking is not performed, if any event, such as an interrupt, delays the filling of the FIFO, the tail pointer may reach and pass the write pointer in the TX FIFO. In this event, indeterminate values are transmitted rather than the end of the frame. Therefore, sufficient bus bandwidth for writing to the TX FIFO must be guaranteed by the software.

If a frame smaller than the threshold level must be sent, the NEWTX bit in the MACTR register must be set with an explicit write. This initiates the transmission of the frame even though the threshold limit has not been reached.

If the threshold level is set too small, it is possible for the transmitter to underrun. If this occurs, the transmit frame is aborted, and a transmit error occurs. Note that in this case, the TXER bit in the MACRIS is not set meaning that the CPU receives no indication that a transmit error happened.

#### Ethernet MAC Threshold (MACTHR)

Base 0x4004.8000  
 Offset 0x01C  
 Type R/W, reset 0x0000.003F



| Bit/Field | Name     | Type | Reset     | Description   |
|-----------|----------|------|-----------|---|
| 31:6      | reserved | RO   | 0x0000.00 | Software should not rely on the value of a reserved bit. To provide compatibility with future products, the value of a reserved bit should be preserved across a read-modify-write operation. |

| Bit/Field | Name   | Type | Reset | Description   |
|-----------|--------|------|-------|---|
| 5:0       | THRESH | R/W  | 0x3F  | Threshold Value<br><br>The THRESH bits represent the early transmit threshold. Once the amount of data in the TX FIFO exceeds the value represented by the above equation, transmission of the packet begins. |

## Register 9: Ethernet MAC Management Control (MACMCTL), offset 0x020

This register enables software to control the transfer of data to and from the MII Management registers in the Ethernet PHY layer. The address, name, type, reset configuration, and functional description of each of these registers can be found in Table 15-2 on page 394 and in “MII Management Register Descriptions” on page 413.

In order to initiate a *read* transaction from the MII Management registers, the `WRITE` bit must be cleared during the same cycle that the `START` bit is set.

In order to initiate a *write* transaction to the MII Management registers, the `WRITE` bit must be set during the same cycle that the `START` bit is set.

### Ethernet MAC Management Control (MACMCTL)

Base 0x4004.8000  
Offset 0x020  
Type R/W, reset 0x0000.0000

|       |          |    |    |    |    |    |    |    |        |     |     |     |          |       |       |     |
|-------|----------|----|----|----|----|----|----|----|--------|-----|-----|-----|----------|-------|-------|-----|
|       | 31       | 30 | 29 | 28 | 27 | 26 | 25 | 24 | 23     | 22  | 21  | 20  | 19       | 18    | 17    | 16  |
|       | reserved |    |    |    |    |    |    |    |        |     |     |     |          |       |       |     |
| Type  | RO       | RO | RO | RO | RO | RO | RO | RO | RO     | RO  | RO  | RO  | RO       | RO    | RO    | RO  |
| Reset | 0        | 0  | 0  | 0  | 0  | 0  | 0  | 0  | 0      | 0   | 0   | 0   | 0        | 0     | 0     | 0   |
|       | 15       | 14 | 13 | 12 | 11 | 10 | 9  | 8  | 7      | 6   | 5   | 4   | 3        | 2     | 1     | 0   |
|       | reserved |    |    |    |    |    |    |    | REGADR |     |     |     | reserved | WRITE | START |     |
| Type  | RO       | RO | RO | RO | RO | RO | RO | RO | R/W    | R/W | R/W | R/W | R/W      | RO    | R/W   | R/W |
| Reset | 0        | 0  | 0  | 0  | 0  | 0  | 0  | 0  | 0      | 0   | 0   | 0   | 0        | 0     | 0     | 0   |

| Bit/Field | Name     | Type | Reset     | Description  |
|-----------|----------|------|-----------|--|
| 31:8      | reserved | RO   | 0x0000.00 | Software should not rely on the value of a reserved bit. To provide compatibility with future products, the value of a reserved bit should be preserved across a read-modify-write operation.  |
| 7:3       | REGADR   | R/W  | 0x0       | MII Register Address<br><br>The <code>REGADR</code> bit field represents the MII Management register address for the next MII management interface transaction. Refer to Table 15-2 on page 394 for the PHY register offsets.<br><br>Note that any address that is not valid in the register map should not be written to and any data read should be ignored. |
| 2         | reserved | RO   | 0         | Software should not rely on the value of a reserved bit. To provide compatibility with future products, the value of a reserved bit should be preserved across a read-modify-write operation.  |
| 1         | WRITE    | R/W  | 0         | MII Register Transaction Type<br><br>The <code>WRITE</code> bit represents the operation of the next MII management interface transaction. If <code>WRITE</code> is set, the next operation is a write; if <code>WRITE</code> is clear, the next transaction is a read.  |
| 0         | START    | R/W  | 0         | MII Register Transaction Enable<br><br>The <code>START</code> bit represents the initiation of the next MII management interface transaction. When this bit is set, the MII register located at <code>REGADR</code> is read ( <code>WRITE=0</code> ) or written ( <code>WRITE=1</code> ).  |



### Register 10: Ethernet MAC Management Divider (MACMDV), offset 0x024

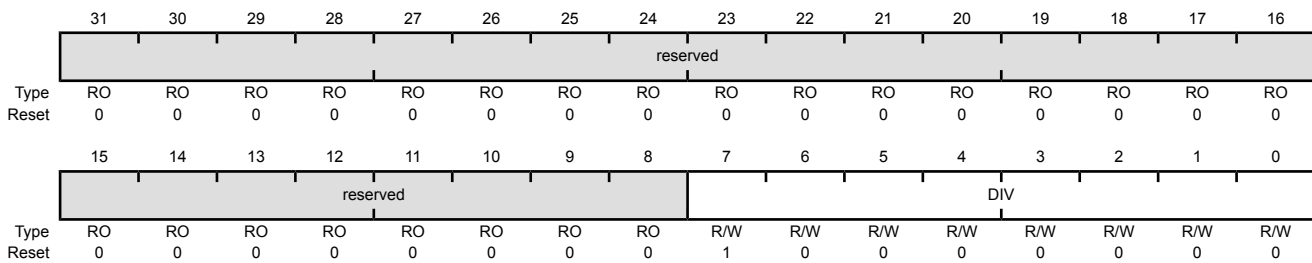
This register enables software to set the clock divider for the Management Data Clock (MDC). This clock is used to synchronize read and write transactions between the system and the MII Management registers. The frequency of the MDC clock can be calculated from the following formula:

$$F_{mdc} = \frac{F_{ipclk}}{2 \times (MACDVR + 1)}$$

The clock divider must be written with a value that ensures that the MDC clock does not exceed a frequency of 2.5 MHz.

#### Ethernet MAC Management Divider (MACMDV)

Base 0x4004.8000  
 Offset 0x024  
 Type R/W, reset 0x0000.0080



| Bit/Field | Name     | Type | Reset     | Description   |
|-----------|----------|------|-----------|---|
| 31:8      | reserved | RO   | 0x0000.00 | Software should not rely on the value of a reserved bit. To provide compatibility with future products, the value of a reserved bit should be preserved across a read-modify-write operation. |
| 7:0       | DIV      | R/W  | 0x80      | Clock Divider   |

The DIV bits are used to set the clock divider for the MDC clock used to transmit data between the MAC and PHY layers over the serial MII interface.

## Register 11: Ethernet MAC Management Transmit Data (MACMTXD), offset 0x02C

This register holds the next value to be written to the MII Management registers.

### Ethernet MAC Management Transmit Data (MACMTXD)

Base 0x4004.8000  
 Offset 0x02C  
 Type R/W, reset 0x0000.0000

|       |          |     |     |     |     |     |     |     |     |     |     |     |     |     |     |     |
|-------|----------|-----|-----|-----|-----|-----|-----|-----|-----|-----|-----|-----|-----|-----|-----|-----|
|       | 31       | 30  | 29  | 28  | 27  | 26  | 25  | 24  | 23  | 22  | 21  | 20  | 19  | 18  | 17  | 16  |
|       | reserved |     |     |     |     |     |     |     |     |     |     |     |     |     |     |     |
| Type  | RO       | RO  | RO  | RO  | RO  | RO  | RO  | RO  | RO  | RO  | RO  | RO  | RO  | RO  | RO  | RO  |
| Reset | 0        | 0   | 0   | 0   | 0   | 0   | 0   | 0   | 0   | 0   | 0   | 0   | 0   | 0   | 0   | 0   |
|       | 15       | 14  | 13  | 12  | 11  | 10  | 9   | 8   | 7   | 6   | 5   | 4   | 3   | 2   | 1   | 0   |
|       | MDTX     |     |     |     |     |     |     |     |     |     |     |     |     |     |     |     |
| Type  | R/W      | R/W | R/W | R/W | R/W | R/W | R/W | R/W | R/W | R/W | R/W | R/W | R/W | R/W | R/W | R/W |
| Reset | 0        | 0   | 0   | 0   | 0   | 0   | 0   | 0   | 0   | 0   | 0   | 0   | 0   | 0   | 0   | 0   |

| Bit/Field | Name     | Type | Reset  | Description   |
|-----------|----------|------|--------|---|
| 31:16     | reserved | RO   | 0x0000 | Software should not rely on the value of a reserved bit. To provide compatibility with future products, the value of a reserved bit should be preserved across a read-modify-write operation. |
| 15:0      | MDTX     | R/W  | 0x0000 | MII Register Transmit Data<br><br>The MDTX bits represent the data that will be written in the next MII management transaction.   |

## Register 12: Ethernet MAC Management Receive Data (MACMRXD), offset 0x030

This register holds the last value read from the MII Management registers.

### Ethernet MAC Management Receive Data (MACMRXD)

Base 0x4004.8000

Offset 0x030

Type R/W, reset 0x0000.0000

|       |          |     |     |     |     |     |     |     |     |     |     |     |     |     |     |     |
|-------|----------|-----|-----|-----|-----|-----|-----|-----|-----|-----|-----|-----|-----|-----|-----|-----|
|       | 31       | 30  | 29  | 28  | 27  | 26  | 25  | 24  | 23  | 22  | 21  | 20  | 19  | 18  | 17  | 16  |
|       | reserved |     |     |     |     |     |     |     |     |     |     |     |     |     |     |     |
| Type  | RO       | RO  | RO  | RO  | RO  | RO  | RO  | RO  | RO  | RO  | RO  | RO  | RO  | RO  | RO  | RO  |
| Reset | 0        | 0   | 0   | 0   | 0   | 0   | 0   | 0   | 0   | 0   | 0   | 0   | 0   | 0   | 0   | 0   |
|       | 15       | 14  | 13  | 12  | 11  | 10  | 9   | 8   | 7   | 6   | 5   | 4   | 3   | 2   | 1   | 0   |
|       | MDRX     |     |     |     |     |     |     |     |     |     |     |     |     |     |     |     |
| Type  | R/W      | R/W | R/W | R/W | R/W | R/W | R/W | R/W | R/W | R/W | R/W | R/W | R/W | R/W | R/W | R/W |
| Reset | 0        | 0   | 0   | 0   | 0   | 0   | 0   | 0   | 0   | 0   | 0   | 0   | 0   | 0   | 0   | 0   |

| Bit/Field | Name     | Type | Reset  | Description   |
|-----------|----------|------|--------|---|
| 31:16     | reserved | RO   | 0x0000 | Software should not rely on the value of a reserved bit. To provide compatibility with future products, the value of a reserved bit should be preserved across a read-modify-write operation. |
| 15:0      | MDRX     | R/W  | 0x0000 | MII Register Receive Data<br>The MDRX bits represent the data that was read in the previous MII management transaction.   |

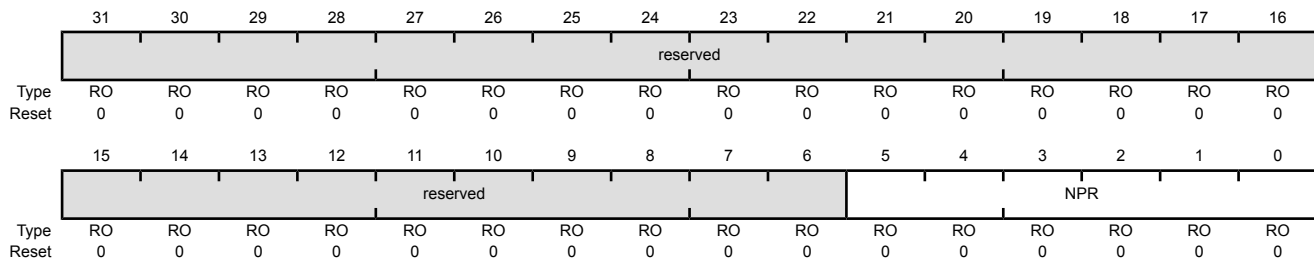
### Register 13: Ethernet MAC Number of Packets (MACNP), offset 0x034

This register holds the number of frames that are currently in the RX FIFO. When `NPR` is 0, there are no frames in the RX FIFO, and the `RXINT` bit is clear. When `NPR` is any other value, at least one frame is in the RX FIFO, and the `RXINT` bit in the **MACRIS** register is set.

**Note:** The FCS bytes are not included in the `NPR` value. As a result, the `NPR` value could be zero before the FCS bytes are read from the FIFO. In addition, a new packet could be received before the `NPR` value reaches zero. To ensure that the entire packet is received, either use the `DriverLib EthernetPacketGet()` API or compare the number of bytes received to the Length field from the frame to determine when the packet has been completely read.

#### Ethernet MAC Number of Packets (MACNP)

Base 0x4004.8000  
 Offset 0x034  
 Type RO, reset 0x0000.0000



| Bit/Field | Name     | Type | Reset     | Description  |
|-----------|----------|------|-----------|--|
| 31:6      | reserved | RO   | 0x0000.00 | Software should not rely on the value of a reserved bit. To provide compatibility with future products, the value of a reserved bit should be preserved across a read-modify-write operation.  |
| 5:0       | NPR      | RO   | 0x00      | Number of Packets in Receive FIFO<br><br>The <code>NPR</code> bits represent the number of packets stored in the RX FIFO. While the <code>NPR</code> field is greater than 0, the <code>RXINT</code> interrupt in the <b>MACRIS</b> register is set. |

## Register 14: Ethernet MAC Transmission Request (MACTR), offset 0x038

This register enables software to initiate the transmission of the frame currently located in the TX FIFO. Once the frame has been transmitted from the TX FIFO or a transmission error has been encountered, the `NEWTX` bit is automatically cleared.

### Ethernet MAC Transmission Request (MACTR)

Base 0x4004.8000  
Offset 0x038  
Type R/W, reset 0x0000.0000

|       |          |    |    |    |    |    |    |    |    |    |    |    |    |    |    |       |
|-------|----------|----|----|----|----|----|----|----|----|----|----|----|----|----|----|-------|
|       | 31       | 30 | 29 | 28 | 27 | 26 | 25 | 24 | 23 | 22 | 21 | 20 | 19 | 18 | 17 | 16    |
|       | reserved |    |    |    |    |    |    |    |    |    |    |    |    |    |    |       |
| Type  | RO       | RO | RO | RO | RO | RO | RO | RO | RO | RO | RO | RO | RO | RO | RO | RO    |
| Reset | 0        | 0  | 0  | 0  | 0  | 0  | 0  | 0  | 0  | 0  | 0  | 0  | 0  | 0  | 0  | 0     |
|       | 15       | 14 | 13 | 12 | 11 | 10 | 9  | 8  | 7  | 6  | 5  | 4  | 3  | 2  | 1  | 0     |
|       | reserved |    |    |    |    |    |    |    |    |    |    |    |    |    |    | NEWTX |
| Type  | RO       | RO | RO | RO | RO | RO | RO | RO | RO | RO | RO | RO | RO | RO | RO | R/W   |
| Reset | 0        | 0  | 0  | 0  | 0  | 0  | 0  | 0  | 0  | 0  | 0  | 0  | 0  | 0  | 0  | 0     |

| Bit/Field | Name     | Type | Reset      | Description   |
|-----------|----------|------|------------|---|
| 31:1      | reserved | RO   | 0x0000.000 | Software should not rely on the value of a reserved bit. To provide compatibility with future products, the value of a reserved bit should be preserved across a read-modify-write operation.   |
| 0         | NEWTX    | R/W  | 0          | New Transmission<br><br>When set, the <code>NEWTX</code> bit initiates an Ethernet transmission once the packet has been placed in the TX FIFO. This bit is cleared once the transmission has been completed. If early transmission is being used (see the <code>MACTHR</code> register), this bit does not need to be set. |

## 15.6 MII Management Register Descriptions

The *IEEE 802.3 standard* specifies a register set for controlling and gathering status from the PHY layer. The registers are collectively known as the MII Management registers. All addresses given are absolute. Addresses not listed are reserved; these addresses should not be written to and any data read should be ignored. Also see “Ethernet MAC Register Descriptions” on page 395.

## Register 15: Ethernet PHY Management Register 0 – Control (MR0), address 0x00

This register enables software to configure the operation of the PHY layer. The default settings of these registers are designed to initialize the Ethernet Controller to a normal operational mode without configuration.

### Ethernet PHY Management Register 0 – Control (MR0)

Base 0x4004.8000  
Address 0x00  
Type R/W, reset 0x3100

|       |       |        |         |        |       |     |       |        |      |          |     |     |     |     |     |     |
|-------|-------|--------|---------|--------|-------|-----|-------|--------|------|----------|-----|-----|-----|-----|-----|-----|
|       | 15    | 14     | 13      | 12     | 11    | 10  | 9     | 8      | 7    | 6        | 5   | 4   | 3   | 2   | 1   | 0   |
|       | RESET | LOOPBK | SPEEDSL | ANEGEN | PWRDN | ISO | RANEG | DUPLEX | COLT | reserved |     |     |     |     |     |     |
| Type  | R/W   | R/W    | R/W     | R/W    | R/W   | R/W | R/W   | R/W    | R/W  | R/W      | R/W | R/W | R/W | R/W | R/W | R/W |
| Reset | 0     | 0      | 1       | 1      | 0     | 0   | 0     | 1      | 0    | 0        | 0   | 0   | 0   | 0   | 0   | 0   |

| Bit/Field | Name    | Type | Reset | Description  |
|-----------|---------|------|-------|--|
| 15        | RESET   | R/W  | 0     | <p>Reset Registers</p> <p>When set, this bit resets the PHY layer registers to their default state and reinitializes internal state machines. Once the reset operation has completed, this bit is cleared by hardware.</p> |
| 14        | LOOPBK  | R/W  | 0     | <p>Loopback Mode</p> <p>When set, this bit enables the Loopback mode of operation. The receiver ignores external inputs and receives the data that is transmitted by the transmitter.</p>                                  |
| 13        | SPEEDSL | R/W  | 1     | <p>Speed Select</p> <p>Value Description</p> <p>1 Enables the 100 Mb/s mode of operation (100BASE-TX).</p> <p>0 Enables the 10 Mb/s mode of operation (10BASE-T).</p>  |
| 12        | ANEGEN  | R/W  | 1     | <p>Auto-Negotiation Enable</p> <p>When set, this bit enables the auto-negotiation process.</p>   |
| 11        | PWRDN   | R/W  | 0     | <p>Power Down</p> <p>When set, this bit places the PHY layer into a low-power consuming state. All data on the data inputs is ignored.</p>   |
| 10        | ISO     | R/W  | 0     | <p>Isolate</p> <p>When set, this bit isolates the transmit and receive data paths and ignores all data being transmitted and received.</p>   |
| 9         | RANEG   | R/W  | 0     | <p>Restart Auto-Negotiation</p> <p>When set, this bit restarts the auto-negotiation process. Once the restart has initiated, this bit is cleared by hardware.</p>  |

| Bit/Field | Name     | Type | Reset | Description   |
|-----------|----------|------|-------|---|
| 8         | DUPLEX   | R/W  | 1     | Set Duplex Mode<br><br>Value Description<br>1 Enables the Full-Duplex mode of operation. This bit can be set by software in a manual configuration process or by the auto-negotiation process.<br>0 Enables the Half-Duplex mode of operation.    |
| 7         | COLT     | R/W  | 0     | Collision Test<br><br>When set, this bit enables the Collision Test mode of operation. The COLT bit is set after the initiation of a transmission and is cleared once the transmission is halted.   |
| 6:0       | reserved | R/W  | 0x00  | Software should not rely on the value of a reserved bit. To provide compatibility with future products, the value of a reserved bit should be preserved across a read-modify-write operation.<br><br>These bits should always be written as zero. |

## Register 16: Ethernet PHY Management Register 1 – Status (MR1), address 0x01

This register enables software to determine the capabilities of the PHY layer and perform its initialization and operation appropriately.

### Ethernet PHY Management Register 1 – Status (MR1)

Base 0x4004.8000

Address 0x01

Type RO, reset 0x7849

|       |          |        |        |       |       |          |    |    |    |      |       |        |       |      |     |      |
|-------|----------|--------|--------|-------|-------|----------|----|----|----|------|-------|--------|-------|------|-----|------|
|       | 15       | 14     | 13     | 12    | 11    | 10       | 9  | 8  | 7  | 6    | 5     | 4      | 3     | 2    | 1   | 0    |
|       | reserved | 100X_F | 100X_H | 10T_F | 10T_H | reserved |    |    |    | MFPS | ANEGC | RFAULT | ANEGA | LINK | JAB | EXTD |
| Type  | RO       | RO     | RO     | RO    | RO    | RO       | RO | RO | RO | RO   | RO    | RC     | RO    | RO   | RC  | RO   |
| Reset | 0        | 1      | 1      | 1     | 1     | 0        | 0  | 0  | 0  | 1    | 0     | 0      | 1     | 0    | 0   | 1    |

| Bit/Field | Name     | Type | Reset | Description  |
|-----------|----------|------|-------|--|
| 15        | reserved | RO   | 0     | Software should not rely on the value of a reserved bit. To provide compatibility with future products, the value of a reserved bit should be preserved across a read-modify-write operation.      |
| 14        | 100X_F   | RO   | 1     | 100BASE-TX Full-Duplex Mode<br>When set, this bit indicates that the Ethernet Controller is capable of supporting 100BASE-TX Full-Duplex mode.   |
| 13        | 100X_H   | RO   | 1     | 100BASE-TX Half-Duplex Mode<br>When set, this bit indicates that the Ethernet Controller is capable of supporting 100BASE-TX Half-Duplex mode.   |
| 12        | 10T_F    | RO   | 1     | 10BASE-T Full-Duplex Mode<br>When set, this bit indicates that the Ethernet Controller is capable of 10BASE-T Full-Duplex mode.  |
| 11        | 10T_H    | RO   | 1     | 10BASE-T Half-Duplex Mode<br>When set, this bit indicates that the Ethernet Controller is capable of supporting 10BASE-T Half-Duplex mode.   |
| 10:7      | reserved | RO   | 0     | Software should not rely on the value of a reserved bit. To provide compatibility with future products, the value of a reserved bit should be preserved across a read-modify-write operation.      |
| 6         | MFPS     | RO   | 1     | Management Frames with Preamble Suppressed<br>When set, this bit indicates that the Management Interface is capable of receiving management frames with the preamble suppressed.                   |
| 5         | ANEGC    | RO   | 0     | Auto-Negotiation Complete<br>When set, this bit indicates that the auto-negotiation process has been completed and that the extended registers defined by the auto-negotiation protocol are valid. |
| 4         | RFAULT   | RC   | 0     | Remote Fault<br>When set, this bit indicates that a remote fault condition has been detected. This bit remains set until it is read, even if the condition no longer exists.                       |



---

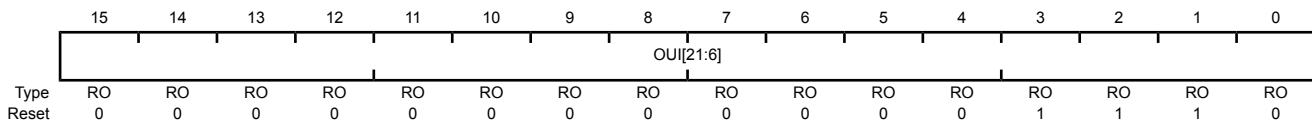
| Bit/Field | Name  | Type | Reset | Description  |
|-----------|-------|------|-------|--|
| 3         | ANEGA | RO   | 1     | Auto-Negotiation<br>When set, this bit indicates that the Ethernet Controller has the ability to perform auto-negotiation.   |
| 2         | LINK  | RO   | 0     | Link Made<br>When set, this bit indicates that a valid link has been established by the Ethernet Controller.   |
| 1         | JAB   | RC   | 0     | Jabber Condition<br>When set, this bit indicates that a jabber condition has been detected by the Ethernet Controller. This bit remains set until it is read, even if the jabber condition no longer exists. |
| 0         | EXTD  | RO   | 1     | Extended Capabilities<br>When set, this bit indicates that the Ethernet Controller provides an extended set of capabilities that can be accessed through the extended register set.                          |

### Register 17: Ethernet PHY Management Register 2 – PHY Identifier 1 (MR2), address 0x02

This register, along with **MR3**, provides a 32-bit value indicating the manufacturer, model, and revision information.

#### Ethernet PHY Management Register 2 – PHY Identifier 1 (MR2)

Base 0x4004.8000  
 Address 0x02  
 Type RO, reset 0x000E



| Bit/Field | Name      | Type | Reset  | Description  |
|-----------|-----------|------|--------|--|
| 15:0      | OUI[21:6] | RO   | 0x000E | Organizationally Unique Identifier[21:6]<br><br>This field, along with the OUI[5:0] field in <b>MR3</b> , makes up the Organizationally Unique Identifier indicating the PHY manufacturer. |

## Register 18: Ethernet PHY Management Register 3 – PHY Identifier 2 (MR3), address 0x03

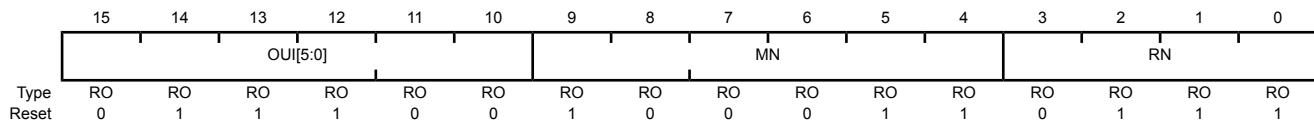
This register, along with **MR2**, provides a 32-bit value indicating the manufacturer, model, and revision information.

### Ethernet PHY Management Register 3 – PHY Identifier 2 (MR3)

Base 0x4004.8000

Address 0x03

Type RO, reset 0x7237



| Bit/Field | Name     | Type | Reset | Description  |
|-----------|----------|------|-------|--|
| 15:10     | OUI[5:0] | RO   | 0x1C  | Organizationally Unique Identifier[5:0]<br><br>This field, along with the OUI[21:6] field in <b>MR2</b> , makes up the Organizationally Unique Identifier indicating the PHY manufacturer. |
| 9:4       | MN       | RO   | 0x23  | Model Number<br><br>The MN field represents the Model Number of the PHY.   |
| 3:0       | RN       | RO   | 0x7   | Revision Number<br><br>The RN field represents the Revision Number of the PHY implementation.  |

## Register 19: Ethernet PHY Management Register 4 – Auto-Negotiation Advertisement (MR4), address 0x04

This register provides the advertised abilities of the Ethernet Controller used during auto-negotiation. Bits 8:5 represent the Technology Ability Field bits. This field can be overwritten by software to auto-negotiate to an alternate common technology. Writing to this register has no effect until auto-negotiation is re-initiated by setting the `RANEG` bit in the **MR0** register.

### Ethernet PHY Management Register 4 – Auto-Negotiation Advertisement (MR4)

Base 0x4004.8000  
Address 0x04  
Type R/W, reset 0x01E1

|       |    |          |     |          |    |    |    |     |     |     |     |    |    |    |    |    |
|-------|----|----------|-----|----------|----|----|----|-----|-----|-----|-----|----|----|----|----|----|
|       | 15 | 14       | 13  | 12       | 11 | 10 | 9  | 8   | 7   | 6   | 5   | 4  | 3  | 2  | 1  | 0  |
|       | NP | reserved | RF  | reserved |    |    | A3 | A2  | A1  | A0  | S   |    |    |    |    |    |
| Type  | RO | RO       | R/W | RO       | RO | RO | RO | R/W | R/W | R/W | R/W | RO | RO | RO | RO | RO |
| Reset | 0  | 0        | 0   | 0        | 0  | 0  | 0  | 1   | 1   | 1   | 1   | 0  | 0  | 0  | 0  | 1  |

| Bit/Field | Name     | Type | Reset | Description  |
|-----------|----------|------|-------|--|
| 15        | NP       | RO   | 0     | Next Page<br><br>When set, this bit indicates the Ethernet Controller is capable of Next Page exchanges to provide more detailed information on the PHY layer's capabilities.  |
| 14        | reserved | RO   | 0     | Software should not rely on the value of a reserved bit. To provide compatibility with future products, the value of a reserved bit should be preserved across a read-modify-write operation.  |
| 13        | RF       | R/W  | 0     | Remote Fault<br><br>When set, this bit indicates to the link partner that a Remote Fault condition has been encountered.   |
| 12:9      | reserved | RO   | 0x0   | Software should not rely on the value of a reserved bit. To provide compatibility with future products, the value of a reserved bit should be preserved across a read-modify-write operation.  |
| 8         | A3       | R/W  | 1     | Technology Ability Field[3]<br><br>When set, this bit indicates that the Ethernet Controller supports the 100Base-TX full-duplex signaling protocol. If software wants to ensure that this mode is not used, this bit can be cleared and auto-negotiation re-initiated with the <code>RANEG</code> bit in the <b>MR0</b> register. |
| 7         | A2       | R/W  | 1     | Technology Ability Field[2]<br><br>When set, this bit indicates that the Ethernet Controller supports the 100Base-TX half-duplex signaling protocol. If software wants to ensure that this mode is not used, this bit can be cleared and auto-negotiation re-initiated with the <code>RANEG</code> bit in the <b>MR0</b> register. |
| 6         | A1       | R/W  | 1     | Technology Ability Field[1]<br><br>When set, this bit indicates that the Ethernet Controller supports the 10BASE-T full-duplex signaling protocol. If software wants to ensure that this mode is not used, this bit can be cleared and auto-negotiation re-initiated with the <code>RANEG</code> bit in the <b>MR0</b> register..  |

---

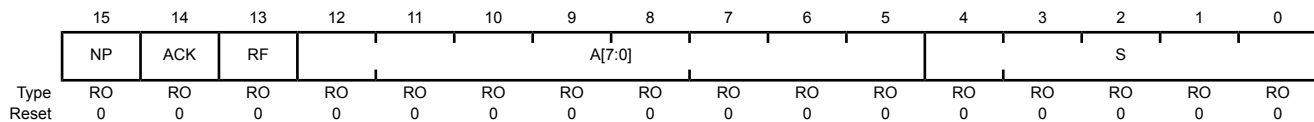
| Bit/Field | Name | Type | Reset | Description   |
|-----------|------|------|-------|---|
| 5         | A0   | R/W  | 1     | Technology Ability Field[0]<br><br>When set, this bit indicates that the Ethernet Controller supports the 10BASE-T half-duplex signaling protocol. If software wants to ensure that this mode is not used, this bit can be cleared and auto-negotiation re-initiated with the <code>RANEG</code> bit in the <b>MR0</b> register.. |
| 4:0       | S    | RO   | 0x1   | Selector Field<br><br>The <code>S</code> field encodes 32 possible messages for communicating between Ethernet Controllers. This field is hard-coded to 0x01, indicating that the Stellaris® Ethernet Controller is <i>IEEE 802.3</i> compliant.  |

## Register 20: Ethernet PHY Management Register 5 – Auto-Negotiation Link Partner Base Page Ability (MR5), address 0x05

This register provides the advertised abilities of the link partner's Ethernet Controller that are received and stored during auto-negotiation.

### Ethernet PHY Management Register 5 – Auto-Negotiation Link Partner Base Page Ability (MR5)

Base 0x4004.8000  
Address 0x05  
Type RO, reset 0x0000



| Bit/Field | Name      | Type                     | Reset | Description   |
|-----------|-----------|--------------------------|-------|---|
| 15        | NP        | RO                       | 0     | Next Page<br><br>When set, this bit indicates that the link partner's Ethernet Controller is capable of Next page exchanges to provide more detailed information on the Ethernet Controller's capabilities.   |
| 14        | ACK       | RO                       | 0     | Acknowledge<br><br>When set, this bit indicates that the Ethernet Controller has successfully received the link partner's advertised abilities during auto-negotiation.   |
| 13        | RF        | RO                       | 0     | Remote Fault<br><br>Used as a standard transport mechanism for transmitting simple fault information from the link partner.   |
| 12:5      | A[7:0]    | RO                       | 0x00  | Technology Ability Field<br><br>The A[7:0] field encodes individual technologies that are supported by the Ethernet Controller. See the <b>MR4</b> register for definitions. Note that bits 12:9 describe functions that are not implemented on the Stellaris® Ethernet Controller. Refer to the IEEE 802.3 standard for definitions. |
| 4:0       | S         | RO                       | 0x00  | Selector Field<br><br>The S field encodes possible messages for communicating between Ethernet Controllers.   |
|           | Value     | Description              |       |   |
|           | 0x00      | Reserved                 |       |   |
|           | 0x01      | IEEE Std 802.3           |       |   |
|           | 0x02      | IEEE Std 802.9 ISLAN-16T |       |   |
|           | 0x03      | IEEE Std 802.5           |       |   |
|           | 0x04      | IEEE Std 1394            |       |   |
|           | 0x05–0x1F | Reserved                 |       |   |

## Register 21: Ethernet PHY Management Register 6 – Auto-Negotiation Expansion (MR6), address 0x06

This register enables software to determine the auto-negotiation and next page capabilities of the Ethernet Controller and the link partner after auto-negotiation.

### Ethernet PHY Management Register 6 – Auto-Negotiation Expansion (MR6)

Base 0x4004.8000

Address 0x06

Type RO, reset 0x0000

|       |          |    |    |    |    |    |    |    |    |    |    |     |       |          |     |         |
|-------|----------|----|----|----|----|----|----|----|----|----|----|-----|-------|----------|-----|---------|
|       | 15       | 14 | 13 | 12 | 11 | 10 | 9  | 8  | 7  | 6  | 5  | 4   | 3     | 2        | 1   | 0       |
|       | reserved |    |    |    |    |    |    |    |    |    |    | PDF | LPNPA | reserved | PRX | LPANEGA |
| Type  | RO       | RO | RO | RO | RO | RO | RO | RO | RO | RO | RO | RC  | RO    | RO       | RC  | RO      |
| Reset | 0        | 0  | 0  | 0  | 0  | 0  | 0  | 0  | 0  | 0  | 0  | 0   | 0     | 0        | 0   | 0       |

| Bit/Field | Name     | Type | Reset | Description   |
|-----------|----------|------|-------|---|
| 15:5      | reserved | RO   | 0x000 | Software should not rely on the value of a reserved bit. To provide compatibility with future products, the value of a reserved bit should be preserved across a read-modify-write operation. |
| 4         | PDF      | RC   | 0     | Parallel Detection Fault<br><br>When set, this bit indicates that more than one technology has been detected at link up. This bit is cleared when read.                                       |
| 3         | LPNPA    | RO   | 0     | Link Partner is Next Page Able<br><br>When set, this bit indicates that the link partner is enabled to support next page.   |
| 2         | reserved | RO   | 0     | Software should not rely on the value of a reserved bit. To provide compatibility with future products, the value of a reserved bit should be preserved across a read-modify-write operation. |
| 1         | PRX      | RC   | 0     | New Page Received<br><br>When set, this bit indicates that a new page has been received from the link partner and stored. This bit remains set until the register is read.                    |
| 0         | LPANEGA  | RO   | 0     | Link Partner is Auto-Negotiation Able<br><br>When set, this bit indicates that the link partner is enabled to support auto-negotiation.   |

## Register 22: Ethernet PHY Management Register 16 – Vendor-Specific (MR16), address 0x10

This register enables software to configure the operation of vendor-specific modes of the Ethernet Controller.

### Ethernet PHY Management Register 16 – Vendor-Specific (MR16)

Base 0x4004.8000

Address 0x10

Type R/W, reset 0x0140

|       | 15   | 14    | 13       | 12    | 11   | 10   | 9        | 8  | 7  | 6    | 5      | 4        | 3  | 2     | 1    | 0   |
|-------|------|-------|----------|-------|------|------|----------|----|----|------|--------|----------|----|-------|------|-----|
|       | RPTR | INPOL | reserved | TXHIM | SQEI | NL10 | reserved |    |    | APOL | RVSPOL | reserved |    | PCSBP | RXCC |     |
| Type  | R/W  | R/W0  | RO       | R/W   | R/W  | R/W  | RO       | RO | RO | RO   | R/W    | R/W      | RO | RO    | R/W  | R/W |
| Reset | 0    | 0     | 0        | 0     | 0    | 0    | 0        | 1  | 0  | 1    | 0      | 0        | 0  | 0     | 0    | 0   |

| Bit/Field | Name     | Type | Reset | Description   |
|-----------|----------|------|-------|---|
| 15        | RPTR     | R/W  | 0     | <p>Repeater Mode</p> <p>When set, this bit enables the repeater mode of operation. In this mode, full-duplex is not allowed and the Carrier Sense signal only responds to receive activity.</p>   |
| 14        | INPOL    | R/W0 | 0     | <p>Interrupt Polarity</p> <p>Value Description</p> <p>1 Sets the polarity of the PHY interrupt to be active High.</p> <p>0 Sets the polarity of the PHY interrupt to active Low.</p>  |
| 13        | reserved | RO   | 0     | <p>Software should not rely on the value of a reserved bit. To provide compatibility with future products, the value of a reserved bit should be preserved across a read-modify-write operation.</p>  |
| 12        | TXHIM    | R/W  | 0     | <p>Transmit High Impedance Mode</p> <p>When set, this bit enables the transmitter High Impedance mode. In this mode, the TXOP and TXON transmitter pins are put into a high impedance state. The RXIP and RXIN pins remain fully functional.</p>    |
| 11        | SQEI     | R/W  | 0     | <p>SQE Inhibit Testing</p> <p>When set, this bit prohibits 10BASE-T SQE testing.</p> <p>When clear, the SQE testing is performed by generating a collision pulse following the completion of the transmission of a frame.</p>                       |
| 10        | NL10     | R/W  | 0     | <p>Natural Loopback Mode</p> <p>When set, this bit enables the 10BASE-T Natural Loopback mode. In this mode, the transmission data received by the Ethernet Controller is looped back onto the receive data path when 10BASE-T mode is enabled.</p> |
| 9:6       | reserved | RO   | 0x5   | <p>Software should not rely on the value of a reserved bit. To provide compatibility with future products, the value of a reserved bit should be preserved across a read-modify-write operation.</p>  |

**Important:** Because the Media Access Controller expects active Low interrupts from the PHY, this bit must always be written with a 0 to ensure proper operation.



| Bit/Field | Name     | Type | Reset | Description  |
|-----------|----------|------|-------|--|
| 5         | APOL     | R/W  | 0     | <p>Auto-Polarity Disable</p> <p>When set, this bit disables the Ethernet Controller's auto-polarity function.</p> <p>If this bit is clear, the Ethernet Controller automatically inverts the received signal due to a wrong polarity connection during auto-negotiation when in 10BASE-T mode.</p>   |
| 4         | RVSPOL   | R/W  | 0     | <p>Receive Data Polarity</p> <p>This bit indicates whether the receive data pulses are being inverted.</p> <p>If the APOL bit is 0, then the RVSPOL bit is read-only and indicates whether the auto-polarity circuitry is reversing the polarity. In this case, if RVSPOL is set, it indicates that the receive data is inverted; if RVSPOL is clear, it indicates that the receive data is not inverted.</p> <p>If the APOL bit is 1, then the RVSPOL bit is writable and software can force the receive data to be inverted. Setting RVSPOL to 1 forces the receive data to be inverted; clearing RVSPOL does not invert the receive data.</p> |
| 3:2       | reserved | RO   | 0x0   | <p>Software should not rely on the value of a reserved bit. To provide compatibility with future products, the value of a reserved bit should be preserved across a read-modify-write operation.</p>   |
| 1         | PCSBP    | R/W  | 0     | <p>PCS Bypass</p> <p>When set, this bit enables the bypass of the PCS and scrambling/descrambling functions in 100BASE-TX mode. This mode is only valid when auto-negotiation is disabled and 100BASE-TX mode is enabled.</p>  |
| 0         | RXCC     | R/W  | 0     | <p>Receive Clock Control</p> <p>When set, this bit enables the Receive Clock Control power saving mode if the Ethernet Controller is configured in 100BASE-TX mode. This mode shuts down the receive clock when no data is being received to save power. This mode should not be used when PCSBP is enabled and is automatically disabled when the LOOPBK bit in the MR0 register is set.</p>  |

## Register 23: Ethernet PHY Management Register 17 – Interrupt Control/Status (MR17), address 0x11

This register provides the means for controlling and observing the events which trigger a PHY layer interrupt in the **MACRIS** register. This register can also be used in a polling mode via the Media Independent Interface as a means to observe key events within the PHY layer via one register address. Bits 0 through 7 are status bits which are each set based on an event. These bits are cleared after the register is read. Bits 8 through 15 of this register, when set, enable the corresponding bit in the lower byte to signal a PHY layer interrupt in the **MACRIS** register.

### Ethernet PHY Management Register 17 – Interrupt Control/Status (MR17)

Base 0x4004.8000

Address 0x11

Type R/W, reset 0x0000

|       | 15        | 14      | 13     | 12     | 11       | 10       | 9         | 8           | 7          | 6        | 5       | 4       | 3         | 2         | 1          | 0            |
|-------|-----------|---------|--------|--------|----------|----------|-----------|-------------|------------|----------|---------|---------|-----------|-----------|------------|--------------|
|       | JABBER_IE | RXER_IE | PRX_IE | PDF_IE | LPACK_IE | LSCHG_IE | RFAULT_IE | ANEGCOMP_IE | JABBER_INT | RXER_INT | PRX_INT | PDF_INT | LPACK_INT | LSCHG_INT | RFAULT_INT | ANEGCOMP_INT |
| Type  | R/W       | R/W     | R/W    | R/W    | R/W      | R/W      | R/W       | R/W         | RC         | RC       | RC      | RC      | RC        | RC        | RC         | RC           |
| Reset | 0         | 0       | 0      | 0      | 0        | 0        | 0         | 0           | 0          | 0        | 0       | 0       | 0         | 0         | 0          | 0            |

| Bit/Field | Name        | Type | Reset | Description  |
|-----------|-------------|------|-------|--|
| 15        | JABBER_IE   | R/W  | 0     | Jabber Interrupt Enable<br><br>When set, this bit enables system interrupts when a Jabber condition is detected by the Ethernet Controller.  |
| 14        | RXER_IE     | R/W  | 0     | Receive Error Interrupt Enable<br><br>When set, this bit enables system interrupts when a receive error is detected by the Ethernet Controller.  |
| 13        | PRX_IE      | R/W  | 0     | Page Received Interrupt Enable<br><br>When set, this bit enables system interrupts when a new page is received by the Ethernet Controller.   |
| 12        | PDF_IE      | R/W  | 0     | Parallel Detection Fault Interrupt Enable<br><br>When set, this bit enables system interrupts when a Parallel Detection Fault is detected by the Ethernet Controller.                        |
| 11        | LPACK_IE    | R/W  | 0     | LP Acknowledge Interrupt Enable<br><br>When set, this bit enables system interrupts when FLP bursts are received with the <b>ACK</b> bit in the <b>MR5</b> register during auto-negotiation. |
| 10        | LSCHG_IE    | R/W  | 0     | Link Status Change Interrupt Enable<br><br>When set, this bit enables system interrupts when the link status changes from OK to FAIL.  |
| 9         | RFAULT_IE   | R/W  | 0     | Remote Fault Interrupt Enable<br><br>When set, this bit enables system interrupts when a remote fault condition is signaled by the link partner.   |
| 8         | ANEGCOMP_IE | R/W  | 0     | Auto-Negotiation Complete Interrupt Enable<br><br>When set, this bit enables system interrupts when the auto-negotiation sequence has completed successfully.                                |

| Bit/Field | Name         | Type | Reset | Description  |
|-----------|--------------|------|-------|--|
| 7         | JABBER_INT   | RC   | 0     | Jabber Event Interrupt<br>When set, this bit indicates that a Jabber event has been detected by the 10BASE-T circuitry.  |
| 6         | RXER_INT     | RC   | 0     | Receive Error Interrupt<br>When set, this bit indicates that a receive error has been detected by the Ethernet Controller.   |
| 5         | PRX_INT      | RC   | 0     | Page Receive Interrupt<br>When set, this bit indicates that a new page has been received from the link partner during auto-negotiation.  |
| 4         | PDF_INT      | RC   | 0     | Parallel Detection Fault Interrupt<br>When set, this bit indicates that a parallel detection fault has been detected by the Ethernet Controller during the auto-negotiation process. |
| 3         | LPACK_INT    | RC   | 0     | LP Acknowledge Interrupt<br>When set, this bit indicates that an FLP burst has been received with the ACK bit set in the MR5 register during auto-negotiation.                       |
| 2         | LSCHG_INT    | RC   | 0     | Link Status Change Interrupt<br>When set, this bit indicates that the link status has changed from OK to FAIL.   |
| 1         | RFAULT_INT   | RC   | 0     | Remote Fault Interrupt<br>When set, this bit indicates that a remote fault condition has been signaled by the link partner.  |
| 0         | ANEGCOMP_INT | RC   | 0     | Auto-Negotiation Complete Interrupt<br>When set, this bit indicates that the auto-negotiation sequence has completed successfully.   |

## Register 24: Ethernet PHY Management Register 18 – Diagnostic (MR18), address 0x12

This register enables software to diagnose the results of the previous auto-negotiation.

### Ethernet PHY Management Register 18 – Diagnostic (MR18)

Base 0x4004.8000

Address 0x12

Type RO, reset 0x0000

|       |          |    |    |       |      |      |      |         |          |    |    |    |    |    |    |    |
|-------|----------|----|----|-------|------|------|------|---------|----------|----|----|----|----|----|----|----|
|       | 15       | 14 | 13 | 12    | 11   | 10   | 9    | 8       | 7        | 6  | 5  | 4  | 3  | 2  | 1  | 0  |
|       | reserved |    |    | ANEGF | DPLX | RATE | RXSD | RX_LOCK | reserved |    |    |    |    |    |    |    |
| Type  | RO       | RO | RO | RC    | RO   | RO   | RO   | RO      | RO       | RO | RO | RO | RO | RO | RO | RO |
| Reset | 0        | 0  | 0  | 0     | 0    | 0    | 0    | 0       | 0        | 0  | 0  | 0  | 0  | 0  | 0  | 0  |

| Bit/Field | Name     | Type | Reset | Description   |
|-----------|----------|------|-------|---|
| 15:13     | reserved | RO   | 0x0   | Software should not rely on the value of a reserved bit. To provide compatibility with future products, the value of a reserved bit should be preserved across a read-modify-write operation.                   |
| 12        | ANEGF    | RC   | 0     | Auto-Negotiation Failure<br><br>When set, this bit indicates that no common technology was found during auto-negotiation and auto-negotiation has failed. This bit remains set until read.                      |
| 11        | DPLX     | RO   | 0     | Duplex Mode<br><br>When set, this bit indicates that Full-Duplex was the highest common denominator found during the auto-negotiation process. Otherwise, Half-Duplex was the highest common denominator found. |
| 10        | RATE     | RO   | 0     | Rate<br><br>When set, this bit indicates that 100BASE-TX was the highest common denominator found during the auto-negotiation process. Otherwise, 10BASE-T was the highest common denominator found.            |
| 9         | RXSD     | RO   | 0     | Receive Detection<br><br>When set, this bit indicates that receive signal detection has occurred (in 100BASE-TX mode) or that Manchester-encoded data has been detected (in 10BASE-T mode).                     |
| 8         | RX_LOCK  | RO   | 0     | Receive PLL Lock<br><br>When set, this bit indicates that the Receive PLL has locked onto the receive signal for the selected speed of operation (10BASE-T or 100BASE-TX).                                      |
| 7:0       | reserved | RO   | 0x00  | Software should not rely on the value of a reserved bit. To provide compatibility with future products, the value of a reserved bit should be preserved across a read-modify-write operation.                   |

## Register 25: Ethernet PHY Management Register 19 – Transceiver Control (MR19), address 0x13

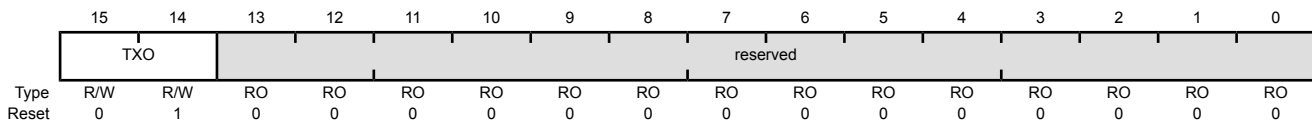
This register enables software to set the gain of the transmit output to compensate for transformer loss.

### Ethernet PHY Management Register 19 – Transceiver Control (MR19)

Base 0x4004.8000

Address 0x13

Type R/W, reset 0x4000



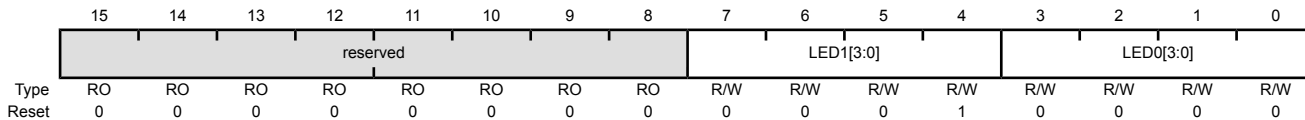
| Bit/Field | Name                                 | Type | Reset | Description  |       |             |     |                                      |     |                                      |     |                                      |     |                                      |
|-----------|--------------------------------------|------|-------|--|-------|-------------|-----|--------------------------------------|-----|--------------------------------------|-----|--------------------------------------|-----|--------------------------------------|
| 15:14     | TXO                                  | R/W  | 0x1   | Transmit Amplitude Selection<br><br>The TXO field sets the transmit output amplitude to account for transmit transformer insertion loss.<br><br><table border="1"> <thead> <tr> <th>Value</th> <th>Description</th> </tr> </thead> <tbody> <tr> <td>0x0</td> <td>Gain set for 0.0dB of insertion loss</td> </tr> <tr> <td>0x1</td> <td>Gain set for 0.4dB of insertion loss</td> </tr> <tr> <td>0x2</td> <td>Gain set for 0.8dB of insertion loss</td> </tr> <tr> <td>0x3</td> <td>Gain set for 1.2dB of insertion loss</td> </tr> </tbody> </table> | Value | Description | 0x0 | Gain set for 0.0dB of insertion loss | 0x1 | Gain set for 0.4dB of insertion loss | 0x2 | Gain set for 0.8dB of insertion loss | 0x3 | Gain set for 1.2dB of insertion loss |
| Value     | Description                          |      |       |  |       |             |     |                                      |     |                                      |     |                                      |     |                                      |
| 0x0       | Gain set for 0.0dB of insertion loss |      |       |  |       |             |     |                                      |     |                                      |     |                                      |     |                                      |
| 0x1       | Gain set for 0.4dB of insertion loss |      |       |  |       |             |     |                                      |     |                                      |     |                                      |     |                                      |
| 0x2       | Gain set for 0.8dB of insertion loss |      |       |  |       |             |     |                                      |     |                                      |     |                                      |     |                                      |
| 0x3       | Gain set for 1.2dB of insertion loss |      |       |  |       |             |     |                                      |     |                                      |     |                                      |     |                                      |
| 13:0      | reserved                             | RO   | 0x000 | Software should not rely on the value of a reserved bit. To provide compatibility with future products, the value of a reserved bit should be preserved across a read-modify-write operation.  |       |             |     |                                      |     |                                      |     |                                      |     |                                      |

## Register 26: Ethernet PHY Management Register 23 – LED Configuration (MR23), address 0x17

This register enables software to select the source that causes the LED1 and LED0 signals to toggle.

### Ethernet PHY Management Register 23 – LED Configuration (MR23)

Base 0x4004.8000  
 Address 0x17  
 Type R/W, reset 0x0010



| Bit/Field | Name                              | Type | Reset | Description  |       |             |     |                        |     |                                  |     |          |     |          |     |          |     |                 |     |               |     |             |     |                                   |
|-----------|-----------------------------------|------|-------|--|-------|-------------|-----|------------------------|-----|----------------------------------|-----|----------|-----|----------|-----|----------|-----|-----------------|-----|---------------|-----|-------------|-----|-----------------------------------|
| 15:8      | reserved                          | RO   | 0x00  | Software should not rely on the value of a reserved bit. To provide compatibility with future products, the value of a reserved bit should be preserved across a read-modify-write operation.  |       |             |     |                        |     |                                  |     |          |     |          |     |          |     |                 |     |               |     |             |     |                                   |
| 7:4       | LED1[3:0]                         | R/W  | 0x1   | <p>LED1 Source</p> <p>The LED1 field selects the source that toggles the LED1 signal.</p> <table border="1"> <thead> <tr> <th>Value</th> <th>Description</th> </tr> </thead> <tbody> <tr><td>0x0</td><td>Link OK</td></tr> <tr><td>0x1</td><td>RX or TX Activity (Default LED1)</td></tr> <tr><td>0x2</td><td>Reserved</td></tr> <tr><td>0x3</td><td>Reserved</td></tr> <tr><td>0x4</td><td>Reserved</td></tr> <tr><td>0x5</td><td>100BASE-TX mode</td></tr> <tr><td>0x6</td><td>10BASE-T mode</td></tr> <tr><td>0x7</td><td>Full-Duplex</td></tr> <tr><td>0x8</td><td>Link OK &amp; Blink=RX or TX Activity</td></tr> </tbody> </table> | Value | Description | 0x0 | Link OK                | 0x1 | RX or TX Activity (Default LED1) | 0x2 | Reserved | 0x3 | Reserved | 0x4 | Reserved | 0x5 | 100BASE-TX mode | 0x6 | 10BASE-T mode | 0x7 | Full-Duplex | 0x8 | Link OK & Blink=RX or TX Activity |
| Value     | Description                       |      |       |  |       |             |     |                        |     |                                  |     |          |     |          |     |          |     |                 |     |               |     |             |     |                                   |
| 0x0       | Link OK                           |      |       |  |       |             |     |                        |     |                                  |     |          |     |          |     |          |     |                 |     |               |     |             |     |                                   |
| 0x1       | RX or TX Activity (Default LED1)  |      |       |  |       |             |     |                        |     |                                  |     |          |     |          |     |          |     |                 |     |               |     |             |     |                                   |
| 0x2       | Reserved                          |      |       |  |       |             |     |                        |     |                                  |     |          |     |          |     |          |     |                 |     |               |     |             |     |                                   |
| 0x3       | Reserved                          |      |       |  |       |             |     |                        |     |                                  |     |          |     |          |     |          |     |                 |     |               |     |             |     |                                   |
| 0x4       | Reserved                          |      |       |  |       |             |     |                        |     |                                  |     |          |     |          |     |          |     |                 |     |               |     |             |     |                                   |
| 0x5       | 100BASE-TX mode                   |      |       |  |       |             |     |                        |     |                                  |     |          |     |          |     |          |     |                 |     |               |     |             |     |                                   |
| 0x6       | 10BASE-T mode                     |      |       |  |       |             |     |                        |     |                                  |     |          |     |          |     |          |     |                 |     |               |     |             |     |                                   |
| 0x7       | Full-Duplex                       |      |       |  |       |             |     |                        |     |                                  |     |          |     |          |     |          |     |                 |     |               |     |             |     |                                   |
| 0x8       | Link OK & Blink=RX or TX Activity |      |       |  |       |             |     |                        |     |                                  |     |          |     |          |     |          |     |                 |     |               |     |             |     |                                   |
| 3:0       | LED0[3:0]                         | R/W  | 0x0   | <p>LED0 Source</p> <p>The LED0 field selects the source that toggles the LED0 signal.</p> <table border="1"> <thead> <tr> <th>Value</th> <th>Description</th> </tr> </thead> <tbody> <tr><td>0x0</td><td>Link OK (Default LED0)</td></tr> <tr><td>0x1</td><td>RX or TX Activity</td></tr> <tr><td>0x2</td><td>Reserved</td></tr> <tr><td>0x3</td><td>Reserved</td></tr> <tr><td>0x4</td><td>Reserved</td></tr> <tr><td>0x5</td><td>100BASE-TX mode</td></tr> <tr><td>0x6</td><td>10BASE-T mode</td></tr> <tr><td>0x7</td><td>Full-Duplex</td></tr> <tr><td>0x8</td><td>Link OK &amp; Blink=RX or TX Activity</td></tr> </tbody> </table> | Value | Description | 0x0 | Link OK (Default LED0) | 0x1 | RX or TX Activity                | 0x2 | Reserved | 0x3 | Reserved | 0x4 | Reserved | 0x5 | 100BASE-TX mode | 0x6 | 10BASE-T mode | 0x7 | Full-Duplex | 0x8 | Link OK & Blink=RX or TX Activity |
| Value     | Description                       |      |       |  |       |             |     |                        |     |                                  |     |          |     |          |     |          |     |                 |     |               |     |             |     |                                   |
| 0x0       | Link OK (Default LED0)            |      |       |  |       |             |     |                        |     |                                  |     |          |     |          |     |          |     |                 |     |               |     |             |     |                                   |
| 0x1       | RX or TX Activity                 |      |       |  |       |             |     |                        |     |                                  |     |          |     |          |     |          |     |                 |     |               |     |             |     |                                   |
| 0x2       | Reserved                          |      |       |  |       |             |     |                        |     |                                  |     |          |     |          |     |          |     |                 |     |               |     |             |     |                                   |
| 0x3       | Reserved                          |      |       |  |       |             |     |                        |     |                                  |     |          |     |          |     |          |     |                 |     |               |     |             |     |                                   |
| 0x4       | Reserved                          |      |       |  |       |             |     |                        |     |                                  |     |          |     |          |     |          |     |                 |     |               |     |             |     |                                   |
| 0x5       | 100BASE-TX mode                   |      |       |  |       |             |     |                        |     |                                  |     |          |     |          |     |          |     |                 |     |               |     |             |     |                                   |
| 0x6       | 10BASE-T mode                     |      |       |  |       |             |     |                        |     |                                  |     |          |     |          |     |          |     |                 |     |               |     |             |     |                                   |
| 0x7       | Full-Duplex                       |      |       |  |       |             |     |                        |     |                                  |     |          |     |          |     |          |     |                 |     |               |     |             |     |                                   |
| 0x8       | Link OK & Blink=RX or TX Activity |      |       |  |       |             |     |                        |     |                                  |     |          |     |          |     |          |     |                 |     |               |     |             |     |                                   |

## Register 27: Ethernet PHY Management Register 24 –MDI/MDIX Control (MR24), address 0x18

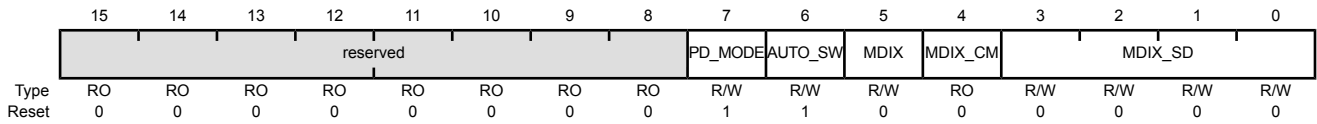
This register enables software to control the behavior of the MDI/MDIX mux and its switching capabilities.

### Ethernet PHY Management Register 24 –MDI/MDIX Control (MR24)

Base 0x4004.8000

Address 0x18

Type R/W, reset 0x00C0



| Bit/Field | Name     | Type | Reset | Description   |
|-----------|----------|------|-------|---|
| 15:8      | reserved | RO   | 0x00  | Software should not rely on the value of a reserved bit. To provide compatibility with future products, the value of a reserved bit should be preserved across a read-modify-write operation.   |
| 7         | PD_MODE  | R/W  | 1     | Parallel Detection Mode<br>When set, enables the Parallel Detection mode and allows auto-switching to work when auto-negotiation is not enabled.  |
| 6         | AUTO_SW  | R/W  | 1     | Auto-Switching Enable<br>When set, enables Auto-Switching of the MDI/MDIX mux.  |
| 5         | MDIX     | R/W  | 0     | Auto-Switching Configuration<br>When set, indicates that the MDI/MDIX mux is in the crossover (MDIX) configuration.<br>When 0, it indicates that the mux is in the pass-through (MDI) configuration.<br>When the AUTO_SW bit is 1, the MDIX bit is read-only. When the AUTO_SW bit is 0, the MDIX bit is read/write and can be configured manually. |
| 4         | MDIX_CM  | RO   | 0     | Auto-Switching Complete<br>When set, indicates that the auto-switching sequence has completed. If 0, it indicates that the sequence has not completed or that auto-switching is disabled.   |
| 3:0       | MDIX_SD  | R/W  | 0x0   | Auto-Switching Seed<br>This field provides the initial seed for the switching algorithm. This seed directly affects the number of attempts [5,4] respectively to write bits [3:0].<br>A 0 sets the seed to 0x5.   |

## 16 Analog Comparators

An analog comparator is a peripheral that compares two analog voltages, and provides a logical output that signals the comparison result.

**Note:** Not all comparators have the option to drive an output pin.

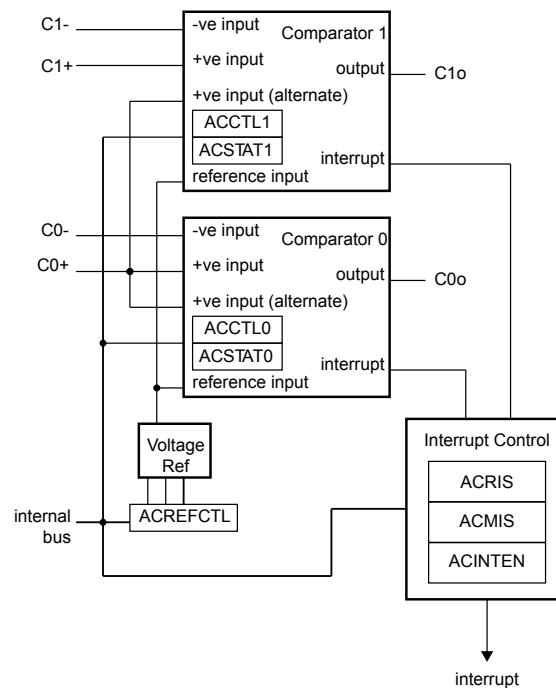
The comparator can provide its output to a device pin, acting as a replacement for an analog comparator on the board, or it can be used to signal the application via interrupts to cause it to start capturing a sample sequence.

The Stellaris<sup>®</sup> Analog Comparators module has the following features:

- Two independent integrated analog comparators
- Configurable for output to drive an output pin or generate an interrupt
- Compare external pin input to external pin input or to internal programmable voltage reference
- Compare a test voltage against any one of these voltages
  - An individual external reference voltage
  - A shared single external reference voltage
  - A shared internal reference voltage

### 16.1 Block Diagram

Figure 16-1. Analog Comparator Module Block Diagram





## 16.2 Functional Description

**Important:** It is recommended that the Digital-Input enable (the `GPIOEN` bit in the GPIO module) for the analog input pin be disabled to prevent excessive current draw from the I/O pads.

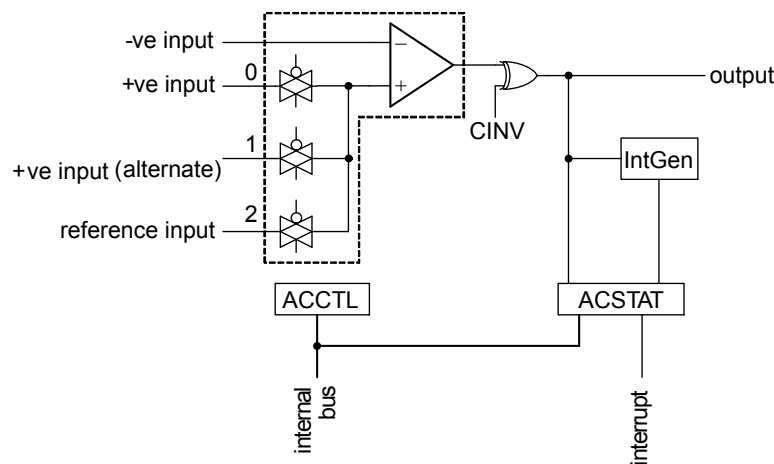
The comparator compares the `VIN-` and `VIN+` inputs to produce an output, `VOUT`.

$VIN- < VIN+, VOUT = 1$

$VIN- > VIN+, VOUT = 0$

As shown in Figure 16-2 on page 433, the input source for `VIN-` is an external input. In addition to an external input, input sources for `VIN+` can be the +ve input of comparator 0 or an internal reference.

**Figure 16-2. Structure of Comparator Unit**



A comparator is configured through two status/control registers (**ACCTL** and **ACSTAT**). The internal reference is configured through one control register (**ACREFCTL**). Interrupt status and control is configured through three registers (**ACMIS**, **ACRIS**, and **ACINTEN**).

Typically, the comparator output is used internally to generate controller interrupts. It may also be used to drive an external pin.

**Important:** The `ASRCP` bits in the **ACCTLn** register must be set before using the analog comparators.

### 16.2.1 Internal Reference Programming

The structure of the internal reference is shown in Figure 16-3 on page 434. This is controlled by a single configuration register (**ACREFCTL**). Table 16-1 on page 434 shows the programming options to develop specific internal reference values, to compare an external voltage against a particular voltage generated internally.

Figure 16-3. Comparator Internal Reference Structure

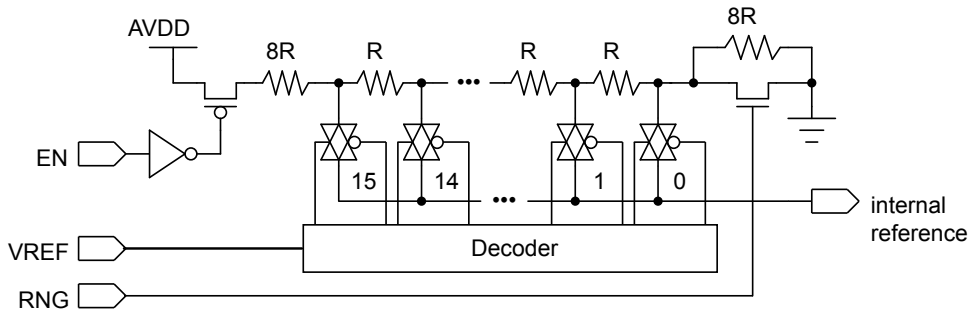


Table 16-1. Internal Reference Voltage and ACREFCTL Field Values

| ACREFCTL Register |               | Output Reference Voltage Based on VREF Field Value   |
|-------------------|---------------|--|
| EN Bit Value      | RNG Bit Value |  |
| EN=0              | RNG=X         | 0 V (GND) for any value of VREF; however, it is recommended that RNG=1 and VREF=0 for the least noisy ground reference.  |
| EN=1              | RNG=0         | Total resistance in ladder is 31 R.<br>$V_{REF} = AV_{DD} \times \frac{RV_{REF}}{R_T}$ $V_{REF} = AV_{DD} \times \frac{(V_{REF} + 8)}{31}$ $V_{REF} = 0.85 + 0.106 \times V_{REF}$ The range of internal reference in this mode is 0.85-2.448 V. |
|                   | RNG=1         | Total resistance in ladder is 23 R.<br>$V_{REF} = AV_{DD} \times \frac{RV_{REF}}{R_T}$ $V_{REF} = AV_{DD} \times \frac{V_{REF}}{23}$ $V_{REF} = 0.143 \times V_{REF}$ The range of internal reference for this mode is 0-2.152 V.                |

### 16.3 Initialization and Configuration

The following example shows how to configure an analog comparator to read back its output value from an internal register.

1. Enable the analog comparator 0 clock by writing a value of 0x0010.0000 to the **RCGC1** register in the System Control module.
2. In the GPIO module, enable the GPIO port/pin associated with C0- as a GPIO input.
3. Configure the internal voltage reference to 1.65 V by writing the **ACREFCTL** register with the value 0x0000.030C.

4. Configure comparator 0 to use the internal voltage reference and to *not* invert the output by writing the **ACCTL0** register with the value of 0x0000.040C.
5. Delay for some time.
6. Read the comparator output value by reading the **ACSTAT0** register's `OVAL` value.

Change the level of the signal input on C0- to see the `OVAL` value change.

## 16.4 Register Map

Table 16-2 on page 435 lists the comparator registers. The offset listed is a hexadecimal increment to the register's address, relative to the Analog Comparator base address of 0x4003.C000.

**Table 16-2. Analog Comparators Register Map**

| Offset | Name     | Type  | Reset       | Description                                 | See page |
|--------|----------|-------|-------------|---|----------|
| 0x000  | ACMIS    | R/W1C | 0x0000.0000 | Analog Comparator Masked Interrupt Status   | 436      |
| 0x004  | ACRIS    | RO    | 0x0000.0000 | Analog Comparator Raw Interrupt Status      | 437      |
| 0x008  | ACINTEN  | R/W   | 0x0000.0000 | Analog Comparator Interrupt Enable          | 438      |
| 0x010  | ACREFCTL | R/W   | 0x0000.0000 | Analog Comparator Reference Voltage Control | 439      |
| 0x020  | ACSTAT0  | RO    | 0x0000.0000 | Analog Comparator Status 0                  | 440      |
| 0x024  | ACCTL0   | R/W   | 0x0000.0000 | Analog Comparator Control 0                 | 441      |
| 0x040  | ACSTAT1  | RO    | 0x0000.0000 | Analog Comparator Status 1                  | 440      |
| 0x044  | ACCTL1   | R/W   | 0x0000.0000 | Analog Comparator Control 1                 | 441      |

## 16.5 Register Descriptions

The remainder of this section lists and describes the Analog Comparator registers, in numerical order by address offset.

## Register 1: Analog Comparator Masked Interrupt Status (ACMIS), offset 0x000

This register provides a summary of the interrupt status (masked) of the comparators.

### Analog Comparator Masked Interrupt Status (ACMIS)

Base 0x4003.C000

Offset 0x000

Type R/W1C, reset 0x0000.0000

|       |          |    |    |    |    |    |    |    |    |    |    |    |    |    |       |       |
|-------|----------|----|----|----|----|----|----|----|----|----|----|----|----|----|-------|-------|
|       | 31       | 30 | 29 | 28 | 27 | 26 | 25 | 24 | 23 | 22 | 21 | 20 | 19 | 18 | 17    | 16    |
|       | reserved |    |    |    |    |    |    |    |    |    |    |    |    |    |       |       |
| Type  | RO       | RO | RO | RO | RO | RO | RO | RO | RO | RO | RO | RO | RO | RO | RO    | RO    |
| Reset | 0        | 0  | 0  | 0  | 0  | 0  | 0  | 0  | 0  | 0  | 0  | 0  | 0  | 0  | 0     | 0     |
|       | 15       | 14 | 13 | 12 | 11 | 10 | 9  | 8  | 7  | 6  | 5  | 4  | 3  | 2  | 1     | 0     |
|       | reserved |    |    |    |    |    |    |    |    |    |    |    |    |    | IN1   | IN0   |
| Type  | RO       | RO | RO | RO | RO | RO | RO | RO | RO | RO | RO | RO | RO | RO | R/W1C | R/W1C |
| Reset | 0        | 0  | 0  | 0  | 0  | 0  | 0  | 0  | 0  | 0  | 0  | 0  | 0  | 0  | 0     | 0     |

| Bit/Field | Name     | Type  | Reset | Description   |
|-----------|----------|-------|-------|---|
| 31:2      | reserved | RO    | 0x00  | Software should not rely on the value of a reserved bit. To provide compatibility with future products, the value of a reserved bit should be preserved across a read-modify-write operation. |
| 1         | IN1      | R/W1C | 0     | Comparator 1 Masked Interrupt Status<br><br>Gives the masked interrupt state of this interrupt. Write 1 to this bit to clear the pending interrupt.   |
| 0         | IN0      | R/W1C | 0     | Comparator 0 Masked Interrupt Status<br><br>Gives the masked interrupt state of this interrupt. Write 1 to this bit to clear the pending interrupt.   |

**Register 2: Analog Comparator Raw Interrupt Status (ACRIS), offset 0x004**

This register provides a summary of the interrupt status (raw) of the comparators.

**Analog Comparator Raw Interrupt Status (ACRIS)**

Base 0x4003.C000

Offset 0x004

Type RO, reset 0x0000.0000

|       |          |    |    |    |    |    |    |    |    |    |    |    |    |    |     |     |
|-------|----------|----|----|----|----|----|----|----|----|----|----|----|----|----|-----|-----|
|       | 31       | 30 | 29 | 28 | 27 | 26 | 25 | 24 | 23 | 22 | 21 | 20 | 19 | 18 | 17  | 16  |
|       | reserved |    |    |    |    |    |    |    |    |    |    |    |    |    |     |     |
| Type  | RO       | RO | RO | RO | RO | RO | RO | RO | RO | RO | RO | RO | RO | RO | RO  | RO  |
| Reset | 0        | 0  | 0  | 0  | 0  | 0  | 0  | 0  | 0  | 0  | 0  | 0  | 0  | 0  | 0   | 0   |
|       | 15       | 14 | 13 | 12 | 11 | 10 | 9  | 8  | 7  | 6  | 5  | 4  | 3  | 2  | 1   | 0   |
|       | reserved |    |    |    |    |    |    |    |    |    |    |    |    |    | IN1 | IN0 |
| Type  | RO       | RO | RO | RO | RO | RO | RO | RO | RO | RO | RO | RO | RO | RO | RO  | RO  |
| Reset | 0        | 0  | 0  | 0  | 0  | 0  | 0  | 0  | 0  | 0  | 0  | 0  | 0  | 0  | 0   | 0   |

| Bit/Field | Name     | Type | Reset | Description   |
|-----------|----------|------|-------|---|
| 31:2      | reserved | RO   | 0x00  | Software should not rely on the value of a reserved bit. To provide compatibility with future products, the value of a reserved bit should be preserved across a read-modify-write operation. |
| 1         | IN1      | RO   | 0     | Comparator 1 Interrupt Status<br>When set, indicates that an interrupt has been generated by comparator 1.  |
| 0         | IN0      | RO   | 0     | Comparator 0 Interrupt Status<br>When set, indicates that an interrupt has been generated by comparator 0.  |

### Register 3: Analog Comparator Interrupt Enable (ACINTEN), offset 0x008

This register provides the interrupt enable for the comparators.

#### Analog Comparator Interrupt Enable (ACINTEN)

Base 0x4003.C000  
 Offset 0x008  
 Type R/W, reset 0x0000.0000

|       |          |    |    |    |    |    |    |    |    |    |    |    |    |    |     |     |
|-------|----------|----|----|----|----|----|----|----|----|----|----|----|----|----|-----|-----|
|       | 31       | 30 | 29 | 28 | 27 | 26 | 25 | 24 | 23 | 22 | 21 | 20 | 19 | 18 | 17  | 16  |
|       | reserved |    |    |    |    |    |    |    |    |    |    |    |    |    |     |     |
| Type  | RO       | RO | RO | RO | RO | RO | RO | RO | RO | RO | RO | RO | RO | RO | RO  | RO  |
| Reset | 0        | 0  | 0  | 0  | 0  | 0  | 0  | 0  | 0  | 0  | 0  | 0  | 0  | 0  | 0   | 0   |
|       | 15       | 14 | 13 | 12 | 11 | 10 | 9  | 8  | 7  | 6  | 5  | 4  | 3  | 2  | 1   | 0   |
|       | reserved |    |    |    |    |    |    |    |    |    |    |    |    |    | IN1 | IN0 |
| Type  | RO       | RO | RO | RO | RO | RO | RO | RO | RO | RO | RO | RO | RO | RO | R/W | R/W |
| Reset | 0        | 0  | 0  | 0  | 0  | 0  | 0  | 0  | 0  | 0  | 0  | 0  | 0  | 0  | 0   | 0   |

| Bit/Field | Name     | Type | Reset | Description   |
|-----------|----------|------|-------|---|
| 31:2      | reserved | RO   | 0x00  | Software should not rely on the value of a reserved bit. To provide compatibility with future products, the value of a reserved bit should be preserved across a read-modify-write operation. |
| 1         | IN1      | R/W  | 0     | Comparator 1 Interrupt Enable<br>When set, enables the controller interrupt from the comparator 1 output.   |
| 0         | IN0      | R/W  | 0     | Comparator 0 Interrupt Enable<br>When set, enables the controller interrupt from the comparator 0 output.   |

## Register 4: Analog Comparator Reference Voltage Control (ACREFCTL), offset 0x010

This register specifies whether the resistor ladder is powered on as well as the range and tap.

### Analog Comparator Reference Voltage Control (ACREFCTL)

Base 0x4003.C000

Offset 0x010

Type R/W, reset 0x0000.0000

|       |          |    |    |    |    |    |     |     |          |    |    |    |      |     |     |     |
|-------|----------|----|----|----|----|----|-----|-----|----------|----|----|----|------|-----|-----|-----|
|       | 31       | 30 | 29 | 28 | 27 | 26 | 25  | 24  | 23       | 22 | 21 | 20 | 19   | 18  | 17  | 16  |
|       | reserved |    |    |    |    |    |     |     |          |    |    |    |      |     |     |     |
| Type  | RO       | RO | RO | RO | RO | RO | RO  | RO  | RO       | RO | RO | RO | RO   | RO  | RO  | RO  |
| Reset | 0        | 0  | 0  | 0  | 0  | 0  | 0   | 0   | 0        | 0  | 0  | 0  | 0    | 0   | 0   | 0   |
|       | 15       | 14 | 13 | 12 | 11 | 10 | 9   | 8   | 7        | 6  | 5  | 4  | 3    | 2   | 1   | 0   |
|       | reserved |    |    |    |    |    | EN  | RNG | reserved |    |    |    | VREF |     |     |     |
| Type  | RO       | RO | RO | RO | RO | RO | R/W | R/W | RO       | RO | RO | RO | R/W  | R/W | R/W | R/W |
| Reset | 0        | 0  | 0  | 0  | 0  | 0  | 0   | 0   | 0        | 0  | 0  | 0  | 0    | 0   | 0   | 0   |

| Bit/Field | Name     | Type | Reset | Description  |
|-----------|----------|------|-------|--|
| 31:10     | reserved | RO   | 0x00  | Software should not rely on the value of a reserved bit. To provide compatibility with future products, the value of a reserved bit should be preserved across a read-modify-write operation.  |
| 9         | EN       | R/W  | 0     | Resistor Ladder Enable<br><br>The <b>EN</b> bit specifies whether the resistor ladder is powered on. If 0, the resistor ladder is unpowered. If 1, the resistor ladder is connected to the analog $V_{DD}$ .<br><br>This bit is reset to 0 so that the internal reference consumes the least amount of power if not used and programmed. |
| 8         | RNG      | R/W  | 0     | Resistor Ladder Range<br><br>The <b>RNG</b> bit specifies the range of the resistor ladder. If 0, the resistor ladder has a total resistance of 31 R. If 1, the resistor ladder has a total resistance of 23 R.  |
| 7:4       | reserved | RO   | 0x00  | Software should not rely on the value of a reserved bit. To provide compatibility with future products, the value of a reserved bit should be preserved across a read-modify-write operation.  |
| 3:0       | VREF     | R/W  | 0x00  | Resistor Ladder Voltage Ref<br><br>The <b>VREF</b> bit field specifies the resistor ladder tap that is passed through an analog multiplexer. The voltage corresponding to the tap position is the internal reference voltage available for comparison. See Table 16-1 on page 434 for some output reference voltage examples.            |

**Register 5: Analog Comparator Status 0 (ACSTAT0), offset 0x020**

**Register 6: Analog Comparator Status 1 (ACSTAT1), offset 0x040**

These registers specify the current output value of the comparator.

Analog Comparator Status 0 (ACSTAT0)

Base 0x4003.C000  
 Offset 0x020  
 Type RO, reset 0x0000.0000

|       |          |    |    |    |    |    |    |    |    |    |    |    |    |    |    |      |          |
|-------|----------|----|----|----|----|----|----|----|----|----|----|----|----|----|----|------|----------|
|       | 31       | 30 | 29 | 28 | 27 | 26 | 25 | 24 | 23 | 22 | 21 | 20 | 19 | 18 | 17 | 16   |          |
|       | reserved |    |    |    |    |    |    |    |    |    |    |    |    |    |    |      |          |
| Type  | RO       | RO | RO | RO | RO | RO | RO | RO | RO | RO | RO | RO | RO | RO | RO | RO   |          |
| Reset | 0        | 0  | 0  | 0  | 0  | 0  | 0  | 0  | 0  | 0  | 0  | 0  | 0  | 0  | 0  | 0    |          |
|       | 15       | 14 | 13 | 12 | 11 | 10 | 9  | 8  | 7  | 6  | 5  | 4  | 3  | 2  | 1  | 0    |          |
|       | reserved |    |    |    |    |    |    |    |    |    |    |    |    |    |    | OVAL | reserved |
| Type  | RO       | RO | RO | RO | RO | RO | RO | RO | RO | RO | RO | RO | RO | RO | RO | RO   | RO       |
| Reset | 0        | 0  | 0  | 0  | 0  | 0  | 0  | 0  | 0  | 0  | 0  | 0  | 0  | 0  | 0  | 0    | 0        |

| Bit/Field | Name     | Type | Reset | Description   |
|-----------|----------|------|-------|---|
| 31:2      | reserved | RO   | 0x00  | Software should not rely on the value of a reserved bit. To provide compatibility with future products, the value of a reserved bit should be preserved across a read-modify-write operation. |
| 1         | OVAL     | RO   | 0     | Comparator Output Value<br><br>The OVAL bit specifies the current output value of the comparator.   |
| 0         | reserved | RO   | 0     | Software should not rely on the value of a reserved bit. To provide compatibility with future products, the value of a reserved bit should be preserved across a read-modify-write operation. |



**Register 7: Analog Comparator Control 0 (ACCTL0), offset 0x024****Register 8: Analog Comparator Control 1 (ACCTL1), offset 0x044**

These registers configure the comparator's input and output.

**Analog Comparator Control 0 (ACCTL0)**

Base 0x4003.C000

Offset 0x024

Type R/W, reset 0x0000.0000

|       |          |    |    |    |       |     |          |    |    |    |    |        |      |     |      |          |
|-------|----------|----|----|----|-------|-----|----------|----|----|----|----|--------|------|-----|------|----------|
|       | 31       | 30 | 29 | 28 | 27    | 26  | 25       | 24 | 23 | 22 | 21 | 20     | 19   | 18  | 17   | 16       |
|       | reserved |    |    |    |       |     |          |    |    |    |    |        |      |     |      |          |
| Type  | RO       | RO | RO | RO | RO    | RO  | RO       | RO | RO | RO | RO | RO     | RO   | RO  | RO   | RO       |
| Reset | 0        | 0  | 0  | 0  | 0     | 0   | 0        | 0  | 0  | 0  | 0  | 0      | 0    | 0   | 0    | 0        |
|       | 15       | 14 | 13 | 12 | 11    | 10  | 9        | 8  | 7  | 6  | 5  | 4      | 3    | 2   | 1    | 0        |
|       | reserved |    |    |    | ASRCP |     | reserved |    |    |    |    | ISLVAL | ISEN |     | CINV | reserved |
| Type  | RO       | RO | RO | RO | RO    | R/W | R/W      | RO | RO | RO | RO | R/W    | R/W  | R/W | R/W  | RO       |
| Reset | 0        | 0  | 0  | 0  | 0     | 0   | 0        | 0  | 0  | 0  | 0  | 0      | 0    | 0   | 0    | 0        |

| Bit/Field | Name                       | Type | Reset | Description  |       |          |     |           |     |                  |     |                            |     |          |
|-----------|----------------------------|------|-------|--|-------|----------|-----|-----------|-----|------------------|-----|----------------------------|-----|----------|
| 31:11     | reserved                   | RO   | 0x00  | Software should not rely on the value of a reserved bit. To provide compatibility with future products, the value of a reserved bit should be preserved across a read-modify-write operation.  |       |          |     |           |     |                  |     |                            |     |          |
| 10:9      | ASRCP                      | R/W  | 0x00  | <p>Analog Source Positive</p> <p>The <code>ASRCP</code> field specifies the source of input voltage to the <code>VIN+</code> terminal of the comparator. The encodings for this field are as follows:</p> <table border="1"> <thead> <tr> <th>Value</th> <th>Function</th> </tr> </thead> <tbody> <tr> <td>0x0</td> <td>Pin value</td> </tr> <tr> <td>0x1</td> <td>Pin value of C0+</td> </tr> <tr> <td>0x2</td> <td>Internal voltage reference</td> </tr> <tr> <td>0x3</td> <td>Reserved</td> </tr> </tbody> </table> | Value | Function | 0x0 | Pin value | 0x1 | Pin value of C0+ | 0x2 | Internal voltage reference | 0x3 | Reserved |
| Value     | Function                   |      |       |  |       |          |     |           |     |                  |     |                            |     |          |
| 0x0       | Pin value                  |      |       |  |       |          |     |           |     |                  |     |                            |     |          |
| 0x1       | Pin value of C0+           |      |       |  |       |          |     |           |     |                  |     |                            |     |          |
| 0x2       | Internal voltage reference |      |       |  |       |          |     |           |     |                  |     |                            |     |          |
| 0x3       | Reserved                   |      |       |  |       |          |     |           |     |                  |     |                            |     |          |
| 8:5       | reserved                   | RO   | 0     | Software should not rely on the value of a reserved bit. To provide compatibility with future products, the value of a reserved bit should be preserved across a read-modify-write operation.  |       |          |     |           |     |                  |     |                            |     |          |
| 4         | ISLVAL                     | R/W  | 0     | <p>Interrupt Sense Level Value</p> <p>The <code>ISLVAL</code> bit specifies the sense value of the input that generates an interrupt if in Level Sense mode. If 0, an interrupt is generated if the comparator output is Low. Otherwise, an interrupt is generated if the comparator output is High.</p>   |       |          |     |           |     |                  |     |                            |     |          |

| Bit/Field | Name                                 | Type | Reset | Description   |       |          |     |                                      |     |              |     |             |     |             |
|-----------|--------------------------------------|------|-------|---|-------|----------|-----|--------------------------------------|-----|--------------|-----|-------------|-----|-------------|
| 3:2       | ISEN                                 | R/W  | 0x0   | <p>Interrupt Sense</p> <p>The <code>ISEN</code> field specifies the sense of the comparator output that generates an interrupt. The sense conditioning is as follows:</p> <table><thead><tr><th>Value</th><th>Function</th></tr></thead><tbody><tr><td>0x0</td><td>Level sense, see <code>ISLVAL</code></td></tr><tr><td>0x1</td><td>Falling edge</td></tr><tr><td>0x2</td><td>Rising edge</td></tr><tr><td>0x3</td><td>Either edge</td></tr></tbody></table> | Value | Function | 0x0 | Level sense, see <code>ISLVAL</code> | 0x1 | Falling edge | 0x2 | Rising edge | 0x3 | Either edge |
| Value     | Function                             |      |       |   |       |          |     |                                      |     |              |     |             |     |             |
| 0x0       | Level sense, see <code>ISLVAL</code> |      |       |   |       |          |     |                                      |     |              |     |             |     |             |
| 0x1       | Falling edge                         |      |       |   |       |          |     |                                      |     |              |     |             |     |             |
| 0x2       | Rising edge                          |      |       |   |       |          |     |                                      |     |              |     |             |     |             |
| 0x3       | Either edge                          |      |       |   |       |          |     |                                      |     |              |     |             |     |             |
| 1         | CINV                                 | R/W  | 0     | <p>Comparator Output Invert</p> <p>The <code>CINV</code> bit conditionally inverts the output of the comparator. If 0, the output of the comparator is unchanged. If 1, the output of the comparator is inverted prior to being processed by hardware.</p>  |       |          |     |                                      |     |              |     |             |     |             |
| 0         | reserved                             | RO   | 0     | <p>Software should not rely on the value of a reserved bit. To provide compatibility with future products, the value of a reserved bit should be preserved across a read-modify-write operation.</p>  |       |          |     |                                      |     |              |     |             |     |             |

# 17 Pin Diagram

The LM3S6911 microcontroller pin diagrams are shown below.

Figure 17-1. 100-Pin LQFP Package Pin Diagram

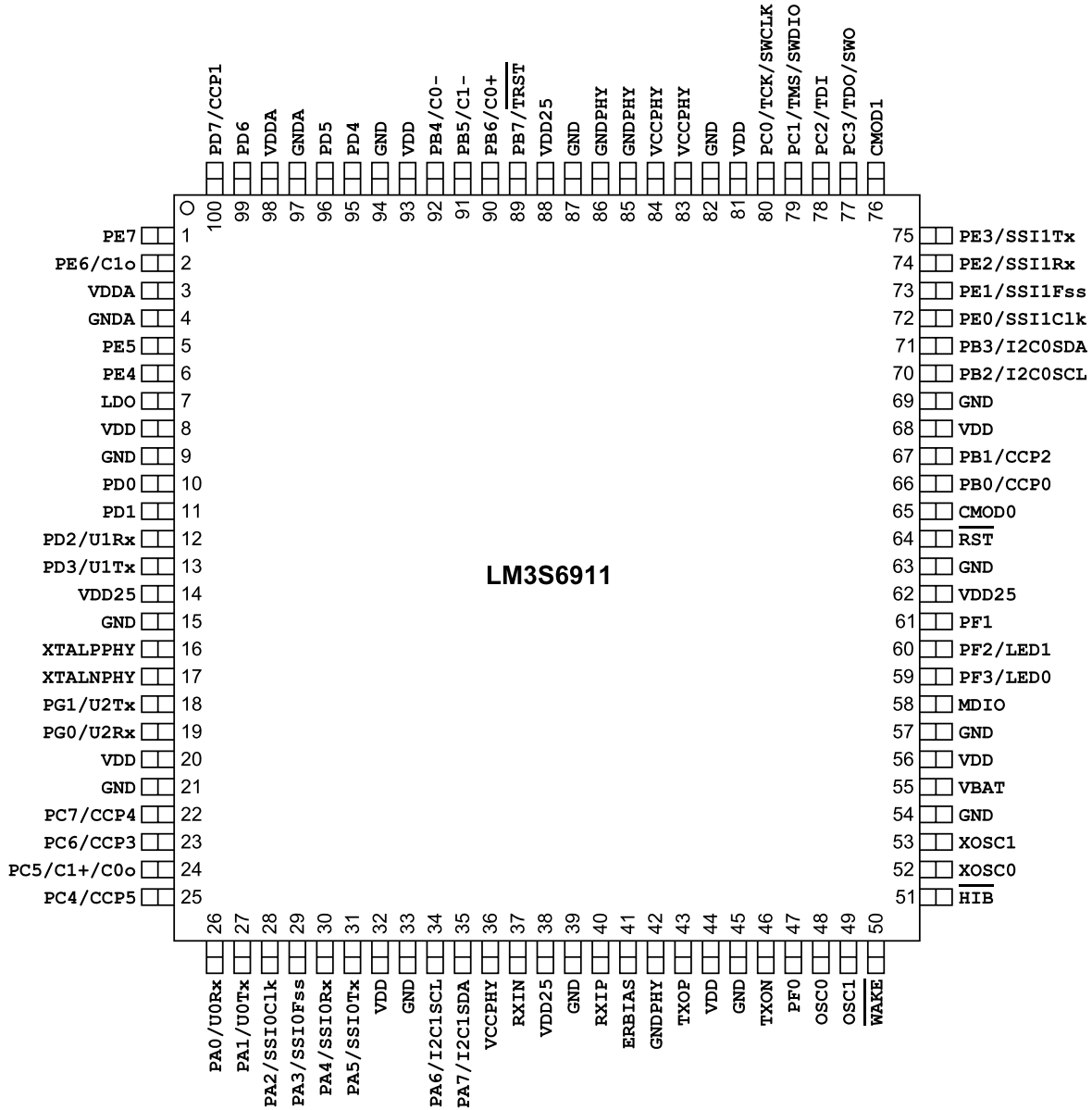
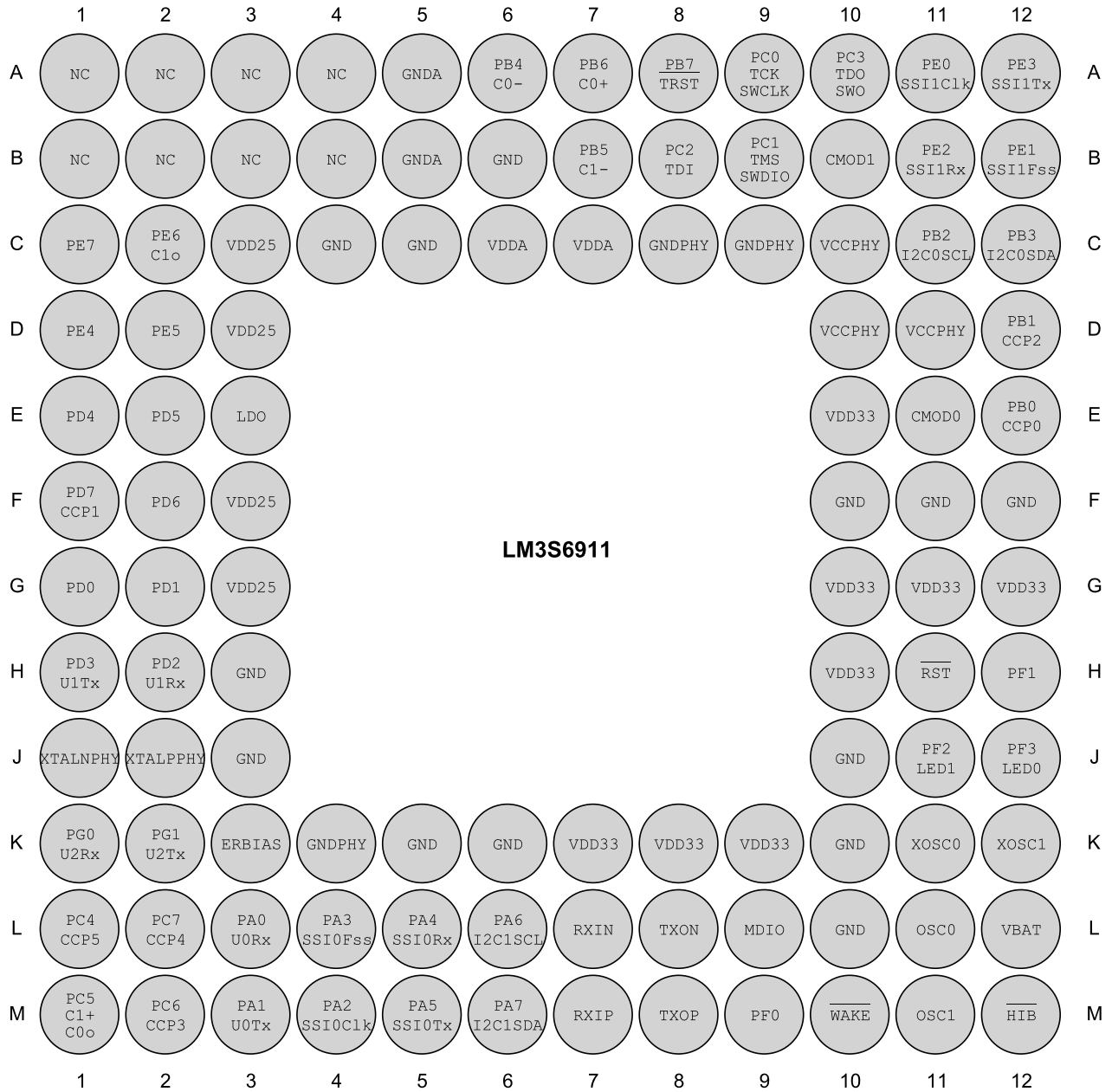


Figure 17-2. 108-Ball BGA Package Pin Diagram (Top View)



## 18 Signal Tables

The following tables list the signals available for each pin. Functionality is enabled by software with the **GPIOAFSEL** register.

**Important:** All multiplexed pins are GPIOs by default, with the exception of the five JTAG pins ( $PB7$  and  $PC[3:0]$ ) which default to the JTAG functionality.

Table 18-1 on page 445 shows the pin-to-signal-name mapping, including functional characteristics of the signals. Table 18-2 on page 449 lists the signals in alphabetical order by signal name.

Table 18-3 on page 453 groups the signals by functionality, except for GPIOs. Table 18-4 on page 456 lists the GPIO pins and their alternate functionality.

### 18.1 100-Pin LQFP Package Pin Tables

Table 18-1. Signals by Pin Number

| Pin Number | Pin Name | Pin Type | Buffer Type <sup>a</sup> | Description   |
|------------|----------|----------|--------------------------|---|
| 1          | PE7      | I/O      | TTL                      | GPIO port E bit 7.  |
| 2          | PE6      | I/O      | TTL                      | GPIO port E bit 6.  |
|            | C1o      | O        | TTL                      | Analog comparator 1 output.   |
| 3          | VDDA     | -        | Power                    | The positive supply (3.3 V) for the analog circuits (ADC, Analog Comparators, etc.). These are separated from VDD to minimize the electrical noise contained on VDD from affecting the analog functions. VDDA pins must be connected to 3.3 V, regardless of system implementation.                             |
| 4          | GND A    | -        | Power                    | The ground reference for the analog circuits ( Analog Comparators, etc.). These are separated from GND to minimize the electrical noise contained on VDD from affecting the analog functions.   |
| 5          | PE5      | I/O      | TTL                      | GPIO port E bit 5.  |
| 6          | PE4      | I/O      | TTL                      | GPIO port E bit 4.  |
| 7          | LDO      | -        | Power                    | Low drop-out regulator output voltage. This pin requires an external capacitor between the pin and GND of 1 $\mu$ F or greater. When the on-chip LDO is used to provide power to the logic, the LDO pin must also be connected to the VDD25 pins at the board level in addition to the decoupling capacitor(s). |
| 8          | VDD      | -        | Power                    | Positive supply for I/O and some logic.   |
| 9          | GND      | -        | Power                    | Ground reference for logic and I/O pins.  |
| 10         | PD0      | I/O      | TTL                      | GPIO port D bit 0.  |
| 11         | PD1      | I/O      | TTL                      | GPIO port D bit 1.  |
| 12         | PD2      | I/O      | TTL                      | GPIO port D bit 2.  |
|            | U1Rx     | I        | TTL                      | UART module 1 receive. When in IrDA mode, this signal has IrDA modulation.  |
| 13         | PD3      | I/O      | TTL                      | GPIO port D bit 3.  |
|            | U1Tx     | O        | TTL                      | UART module 1 transmit. When in IrDA mode, this signal has IrDA modulation.   |
| 14         | VDD25    | -        | Power                    | Positive supply for most of the logic function, including the processor core and most peripherals.  |
| 15         | GND      | -        | Power                    | Ground reference for logic and I/O pins.  |

Table 18-1. Signals by Pin Number (continued)

| Pin Number | Pin Name | Pin Type | Buffer Type <sup>a</sup> | Description  |
|------------|----------|----------|--------------------------|--|
| 16         | XTALPPHY | I        | TTL                      | Ethernet PHY XTALP 25-MHz oscillator crystal input or external clock reference input.  |
| 17         | XTALNPHY | O        | TTL                      | Ethernet PHY XTALN 25-MHz oscillator crystal output. Leave unconnected when using a single-ended 25-MHz clock input connected to the XTALPPHY pin. |
| 18         | PG1      | I/O      | TTL                      | GPIO port G bit 1.   |
|            | U2Tx     | O        | TTL                      | UART module 2 transmit. When in IrDA mode, this signal has IrDA modulation.  |
| 19         | PG0      | I/O      | TTL                      | GPIO port G bit 0.   |
|            | U2Rx     | I        | TTL                      | UART module 2 receive. When in IrDA mode, this signal has IrDA modulation.   |
| 20         | VDD      | -        | Power                    | Positive supply for I/O and some logic.  |
| 21         | GND      | -        | Power                    | Ground reference for logic and I/O pins.   |
| 22         | PC7      | I/O      | TTL                      | GPIO port C bit 7.   |
|            | CCP4     | I/O      | TTL                      | Capture/Compare/PWM 4.   |
| 23         | PC6      | I/O      | TTL                      | GPIO port C bit 6.   |
|            | CCP3     | I/O      | TTL                      | Capture/Compare/PWM 3.   |
| 24         | PC5      | I/O      | TTL                      | GPIO port C bit 5.   |
|            | C0o      | O        | TTL                      | Analog comparator 0 output.  |
|            | C1+      | I        | Analog                   | Analog comparator 1 positive input.  |
| 25         | PC4      | I/O      | TTL                      | GPIO port C bit 4.   |
|            | CCP5     | I/O      | TTL                      | Capture/Compare/PWM 5.   |
| 26         | PA0      | I/O      | TTL                      | GPIO port A bit 0.   |
|            | U0Rx     | I        | TTL                      | UART module 0 receive. When in IrDA mode, this signal has IrDA modulation.   |
| 27         | PA1      | I/O      | TTL                      | GPIO port A bit 1.   |
|            | U0Tx     | O        | TTL                      | UART module 0 transmit. When in IrDA mode, this signal has IrDA modulation.  |
| 28         | PA2      | I/O      | TTL                      | GPIO port A bit 2.   |
|            | SSI0Clk  | I/O      | TTL                      | SSI module 0 clock.  |
| 29         | PA3      | I/O      | TTL                      | GPIO port A bit 3.   |
|            | SSI0Fss  | I/O      | TTL                      | SSI module 0 frame.  |
| 30         | PA4      | I/O      | TTL                      | GPIO port A bit 4.   |
|            | SSI0Rx   | I        | TTL                      | SSI module 0 receive.  |
| 31         | PA5      | I/O      | TTL                      | GPIO port A bit 5.   |
|            | SSI0Tx   | O        | TTL                      | SSI module 0 transmit.   |
| 32         | VDD      | -        | Power                    | Positive supply for I/O and some logic.  |
| 33         | GND      | -        | Power                    | Ground reference for logic and I/O pins.   |
| 34         | PA6      | I/O      | TTL                      | GPIO port A bit 6.   |
|            | I2C1SCL  | I/O      | OD                       | I <sup>2</sup> C module 1 clock.   |
| 35         | PA7      | I/O      | TTL                      | GPIO port A bit 7.   |
|            | I2C1SDA  | I/O      | OD                       | I <sup>2</sup> C module 1 data.  |
| 36         | VCCPHY   | -        | Power                    | VCC of the Ethernet PHY.   |

Table 18-1. Signals by Pin Number (continued)

| Pin Number | Pin Name | Pin Type | Buffer Type <sup>a</sup> | Description   |
|------------|----------|----------|--------------------------|---|
| 37         | RXIN     | I        | Analog                   | RXIN of the Ethernet PHY.   |
| 38         | VDD25    | -        | Power                    | Positive supply for most of the logic function, including the processor core and most peripherals.  |
| 39         | GND      | -        | Power                    | Ground reference for logic and I/O pins.  |
| 40         | RXIP     | I        | Analog                   | RXIP of the Ethernet PHY.   |
| 41         | ERBIAS   | I        | Analog                   | 12.4-kΩ resistor (1% precision) used internally for Ethernet PHY.   |
| 42         | GNDPHY   | -        | Power                    | GND of the Ethernet PHY.  |
| 43         | TXOP     | O        | Analog                   | TXOP of the Ethernet PHY.   |
| 44         | VDD      | -        | Power                    | Positive supply for I/O and some logic.   |
| 45         | GND      | -        | Power                    | Ground reference for logic and I/O pins.  |
| 46         | TXON     | O        | Analog                   | TXON of the Ethernet PHY.   |
| 47         | PF0      | I/O      | TTL                      | GPIO port F bit 0.  |
| 48         | OSC0     | I        | Analog                   | Main oscillator crystal input or an external clock reference input.   |
| 49         | OSC1     | O        | Analog                   | Main oscillator crystal output. Leave unconnected when using a single-ended clock source.   |
| 50         | WAKE     | I        | TTL                      | An external input that brings the processor out of Hibernate mode when asserted.  |
| 51         | HTB      | O        | OD                       | An open-drain output with internal pull-up that indicates the processor is in Hibernate mode.   |
| 52         | XOSC0    | I        | Analog                   | Hibernation module oscillator crystal input or an external clock reference input. Note that this is either a 4.194304-MHz crystal or a 32.768-kHz oscillator for the Hibernation module RTC. See the CLKSEL bit in the HIBCTL register. |
| 53         | XOSC1    | O        | Analog                   | Hibernation module oscillator crystal output. Leave unconnected when using a single-ended clock source.   |
| 54         | GND      | -        | Power                    | Ground reference for logic and I/O pins.  |
| 55         | VBAT     | -        | Power                    | Power source for the Hibernation module. It is normally connected to the positive terminal of a battery and serves as the battery backup/Hibernation module power-source supply.  |
| 56         | VDD      | -        | Power                    | Positive supply for I/O and some logic.   |
| 57         | GND      | -        | Power                    | Ground reference for logic and I/O pins.  |
| 58         | MDIO     | I/O      | TTL                      | MDIO of the Ethernet PHY.   |
| 59         | PF3      | I/O      | TTL                      | GPIO port F bit 3.  |
|            | LED0     | O        | TTL                      | Ethernet LED 0.   |
| 60         | PF2      | I/O      | TTL                      | GPIO port F bit 2.  |
|            | LED1     | O        | TTL                      | Ethernet LED 1.   |
| 61         | PF1      | I/O      | TTL                      | GPIO port F bit 1.  |
| 62         | VDD25    | -        | Power                    | Positive supply for most of the logic function, including the processor core and most peripherals.  |
| 63         | GND      | -        | Power                    | Ground reference for logic and I/O pins.  |
| 64         | RST      | I        | TTL                      | System reset input.   |
| 65         | CMOD0    | I        | TTL                      | CPU Mode bit 0. Input must be set to logic 0 (grounded); other encodings reserved.  |
| 66         | PB0      | I/O      | TTL                      | GPIO port B bit 0.  |
|            | CCP0     | I/O      | TTL                      | Capture/Compare/PWM 0.  |

Table 18-1. Signals by Pin Number (continued)

| Pin Number | Pin Name | Pin Type | Buffer Type <sup>a</sup> | Description  |
|------------|----------|----------|--------------------------|--|
| 67         | PB1      | I/O      | TTL                      | GPIO port B bit 1.   |
|            | CCP2     | I/O      | TTL                      | Capture/Compare/PWM 2.   |
| 68         | VDD      | -        | Power                    | Positive supply for I/O and some logic.  |
| 69         | GND      | -        | Power                    | Ground reference for logic and I/O pins.   |
| 70         | PB2      | I/O      | TTL                      | GPIO port B bit 2.   |
|            | I2C0SCL  | I/O      | OD                       | I <sup>2</sup> C module 0 clock.   |
| 71         | PB3      | I/O      | TTL                      | GPIO port B bit 3.   |
|            | I2C0SDA  | I/O      | OD                       | I <sup>2</sup> C module 0 data.  |
| 72         | PE0      | I/O      | TTL                      | GPIO port E bit 0.   |
|            | SSI1Clk  | I/O      | TTL                      | SSI module 1 clock.  |
| 73         | PE1      | I/O      | TTL                      | GPIO port E bit 1.   |
|            | SSI1Fss  | I/O      | TTL                      | SSI module 1 frame.  |
| 74         | PE2      | I/O      | TTL                      | GPIO port E bit 2.   |
|            | SSI1Rx   | I        | TTL                      | SSI module 1 receive.  |
| 75         | PE3      | I/O      | TTL                      | GPIO port E bit 3.   |
|            | SSI1Tx   | O        | TTL                      | SSI module 1 transmit.   |
| 76         | CMOD1    | I        | TTL                      | CPU Mode bit 1. Input must be set to logic 0 (grounded); other encodings reserved.                 |
| 77         | PC3      | I/O      | TTL                      | GPIO port C bit 3.   |
|            | SWO      | O        | TTL                      | JTAG TDO and SWO.  |
|            | TDO      | O        | TTL                      | JTAG TDO and SWO.  |
| 78         | PC2      | I/O      | TTL                      | GPIO port C bit 2.   |
|            | TDI      | I        | TTL                      | JTAG TDI.  |
| 79         | PC1      | I/O      | TTL                      | GPIO port C bit 1.   |
|            | SWDIO    | I/O      | TTL                      | JTAG TMS and SWDIO.  |
|            | TMS      | I/O      | TTL                      | JTAG TMS and SWDIO.  |
| 80         | PC0      | I/O      | TTL                      | GPIO port C bit 0.   |
|            | SWCLK    | I        | TTL                      | JTAG/SWD CLK.  |
|            | TCK      | I        | TTL                      | JTAG/SWD CLK.  |
| 81         | VDD      | -        | Power                    | Positive supply for I/O and some logic.  |
| 82         | GND      | -        | Power                    | Ground reference for logic and I/O pins.   |
| 83         | VCCPHY   | -        | Power                    | VCC of the Ethernet PHY.   |
| 84         | VCCPHY   | -        | Power                    | VCC of the Ethernet PHY.   |
| 85         | GNDPHY   | -        | Power                    | GND of the Ethernet PHY.   |
| 86         | GNDPHY   | -        | Power                    | GND of the Ethernet PHY.   |
| 87         | GND      | -        | Power                    | Ground reference for logic and I/O pins.   |
| 88         | VDD25    | -        | Power                    | Positive supply for most of the logic function, including the processor core and most peripherals. |
| 89         | PB7      | I/O      | TTL                      | GPIO port B bit 7.   |
|            | TRST     | I        | TTL                      | JTAG TRST.   |
| 90         | PB6      | I/O      | TTL                      | GPIO port B bit 6.   |
|            | C0+      | I        | Analog                   | Analog comparator 0 positive input.  |



Table 18-1. Signals by Pin Number (continued)

| Pin Number | Pin Name | Pin Type | Buffer Type <sup>a</sup> | Description   |
|------------|----------|----------|--------------------------|---|
| 91         | PB5      | I/O      | TTL                      | GPIO port B bit 5.  |
|            | C1-      | I        | Analog                   | Analog comparator 1 negative input.   |
| 92         | PB4      | I/O      | TTL                      | GPIO port B bit 4.  |
|            | C0-      | I        | Analog                   | Analog comparator 0 negative input.   |
| 93         | VDD      | -        | Power                    | Positive supply for I/O and some logic.   |
| 94         | GND      | -        | Power                    | Ground reference for logic and I/O pins.  |
| 95         | PD4      | I/O      | TTL                      | GPIO port D bit 4.  |
| 96         | PD5      | I/O      | TTL                      | GPIO port D bit 5.  |
| 97         | GNDA     | -        | Power                    | The ground reference for the analog circuits ( Analog Comparators, etc.). These are separated from GND to minimize the electrical noise contained on VDD from affecting the analog functions.   |
| 98         | VDDA     | -        | Power                    | The positive supply (3.3 V) for the analog circuits (ADC, Analog Comparators, etc.). These are separated from VDD to minimize the electrical noise contained on VDD from affecting the analog functions. VDDA pins must be connected to 3.3 V, regardless of system implementation. |
| 99         | PD6      | I/O      | TTL                      | GPIO port D bit 6.  |
| 100        | PD7      | I/O      | TTL                      | GPIO port D bit 7.  |
|            | CCP1     | I/O      | TTL                      | Capture/Compare/PWM 1.  |

a. The TTL designation indicates the pin has TTL-compatible voltage levels.

Table 18-2. Signals by Signal Name

| Pin Name | Pin Number | Pin Type | Buffer Type <sup>a</sup> | Description  |
|----------|------------|----------|--------------------------|--|
| C0+      | 90         | I        | Analog                   | Analog comparator 0 positive input.  |
| C0-      | 92         | I        | Analog                   | Analog comparator 0 negative input.  |
| C0o      | 24         | O        | TTL                      | Analog comparator 0 output.  |
| C1+      | 24         | I        | Analog                   | Analog comparator 1 positive input.  |
| C1-      | 91         | I        | Analog                   | Analog comparator 1 negative input.  |
| C1o      | 2          | O        | TTL                      | Analog comparator 1 output.  |
| CCP0     | 66         | I/O      | TTL                      | Capture/Compare/PWM 0.   |
| CCP1     | 100        | I/O      | TTL                      | Capture/Compare/PWM 1.   |
| CCP2     | 67         | I/O      | TTL                      | Capture/Compare/PWM 2.   |
| CCP3     | 23         | I/O      | TTL                      | Capture/Compare/PWM 3.   |
| CCP4     | 22         | I/O      | TTL                      | Capture/Compare/PWM 4.   |
| CCP5     | 25         | I/O      | TTL                      | Capture/Compare/PWM 5.   |
| CMOD0    | 65         | I        | TTL                      | CPU Mode bit 0. Input must be set to logic 0 (grounded); other encodings reserved. |
| CMOD1    | 76         | I        | TTL                      | CPU Mode bit 1. Input must be set to logic 0 (grounded); other encodings reserved. |
| ERBIAS   | 41         | I        | Analog                   | 12.4-kΩ resistor (1% precision) used internally for Ethernet PHY.                  |

Table 18-2. Signals by Signal Name (continued)

| Pin Name             | Pin Number  | Pin Type | Buffer Type <sup>a</sup> | Description  |
|----------------------|---|----------|--------------------------|--|
| GND                  | 9<br>15<br>21<br>33<br>39<br>45<br>54<br>57<br>63<br>69<br>82<br>87<br>94 | -        | Power                    | Ground reference for logic and I/O pins.   |
| GND <sub>A</sub>     | 4<br>97   | -        | Power                    | The ground reference for the analog circuits ( Analog Comparators, etc.). These are separated from GND to minimize the electrical noise contained on V <sub>DD</sub> from affecting the analog functions.  |
| GND <sub>PHY</sub>   | 42<br>85<br>86  | -        | Power                    | GND of the Ethernet PHY.   |
| HIB                  | 51  | O        | OD                       | An open-drain output with internal pull-up that indicates the processor is in Hibernate mode.  |
| I <sup>2</sup> C0SCL | 70  | I/O      | OD                       | I <sup>2</sup> C module 0 clock.   |
| I <sup>2</sup> C0SDA | 71  | I/O      | OD                       | I <sup>2</sup> C module 0 data.  |
| I <sup>2</sup> C1SCL | 34  | I/O      | OD                       | I <sup>2</sup> C module 1 clock.   |
| I <sup>2</sup> C1SDA | 35  | I/O      | OD                       | I <sup>2</sup> C module 1 data.  |
| LDO                  | 7   | -        | Power                    | Low drop-out regulator output voltage. This pin requires an external capacitor between the pin and GND of 1 μF or greater. When the on-chip LDO is used to provide power to the logic, the LDO pin must also be connected to the V <sub>DD25</sub> pins at the board level in addition to the decoupling capacitor(s). |
| LED0                 | 59  | O        | TTL                      | Ethernet LED 0.  |
| LED1                 | 60  | O        | TTL                      | Ethernet LED 1.  |
| MDIO                 | 58  | I/O      | TTL                      | MDIO of the Ethernet PHY.  |
| OSC0                 | 48  | I        | Analog                   | Main oscillator crystal input or an external clock reference input.  |
| OSC1                 | 49  | O        | Analog                   | Main oscillator crystal output. Leave unconnected when using a single-ended clock source.  |
| PA0                  | 26  | I/O      | TTL                      | GPIO port A bit 0.   |
| PA1                  | 27  | I/O      | TTL                      | GPIO port A bit 1.   |
| PA2                  | 28  | I/O      | TTL                      | GPIO port A bit 2.   |
| PA3                  | 29  | I/O      | TTL                      | GPIO port A bit 3.   |
| PA4                  | 30  | I/O      | TTL                      | GPIO port A bit 4.   |
| PA5                  | 31  | I/O      | TTL                      | GPIO port A bit 5.   |
| PA6                  | 34  | I/O      | TTL                      | GPIO port A bit 6.   |
| PA7                  | 35  | I/O      | TTL                      | GPIO port A bit 7.   |
| PB0                  | 66  | I/O      | TTL                      | GPIO port B bit 0.   |
| PB1                  | 67  | I/O      | TTL                      | GPIO port B bit 1.   |

Table 18-2. Signals by Signal Name (continued)

| Pin Name                | Pin Number | Pin Type | Buffer Type <sup>a</sup> | Description               |
|-------------------------|------------|----------|--------------------------|---------------------------|
| PB2                     | 70         | I/O      | TTL                      | GPIO port B bit 2.        |
| PB3                     | 71         | I/O      | TTL                      | GPIO port B bit 3.        |
| PB4                     | 92         | I/O      | TTL                      | GPIO port B bit 4.        |
| PB5                     | 91         | I/O      | TTL                      | GPIO port B bit 5.        |
| PB6                     | 90         | I/O      | TTL                      | GPIO port B bit 6.        |
| PB7                     | 89         | I/O      | TTL                      | GPIO port B bit 7.        |
| PC0                     | 80         | I/O      | TTL                      | GPIO port C bit 0.        |
| PC1                     | 79         | I/O      | TTL                      | GPIO port C bit 1.        |
| PC2                     | 78         | I/O      | TTL                      | GPIO port C bit 2.        |
| PC3                     | 77         | I/O      | TTL                      | GPIO port C bit 3.        |
| PC4                     | 25         | I/O      | TTL                      | GPIO port C bit 4.        |
| PC5                     | 24         | I/O      | TTL                      | GPIO port C bit 5.        |
| PC6                     | 23         | I/O      | TTL                      | GPIO port C bit 6.        |
| PC7                     | 22         | I/O      | TTL                      | GPIO port C bit 7.        |
| PD0                     | 10         | I/O      | TTL                      | GPIO port D bit 0.        |
| PD1                     | 11         | I/O      | TTL                      | GPIO port D bit 1.        |
| PD2                     | 12         | I/O      | TTL                      | GPIO port D bit 2.        |
| PD3                     | 13         | I/O      | TTL                      | GPIO port D bit 3.        |
| PD4                     | 95         | I/O      | TTL                      | GPIO port D bit 4.        |
| PD5                     | 96         | I/O      | TTL                      | GPIO port D bit 5.        |
| PD6                     | 99         | I/O      | TTL                      | GPIO port D bit 6.        |
| PD7                     | 100        | I/O      | TTL                      | GPIO port D bit 7.        |
| PE0                     | 72         | I/O      | TTL                      | GPIO port E bit 0.        |
| PE1                     | 73         | I/O      | TTL                      | GPIO port E bit 1.        |
| PE2                     | 74         | I/O      | TTL                      | GPIO port E bit 2.        |
| PE3                     | 75         | I/O      | TTL                      | GPIO port E bit 3.        |
| PE4                     | 6          | I/O      | TTL                      | GPIO port E bit 4.        |
| PE5                     | 5          | I/O      | TTL                      | GPIO port E bit 5.        |
| PE6                     | 2          | I/O      | TTL                      | GPIO port E bit 6.        |
| PE7                     | 1          | I/O      | TTL                      | GPIO port E bit 7.        |
| PF0                     | 47         | I/O      | TTL                      | GPIO port F bit 0.        |
| PF1                     | 61         | I/O      | TTL                      | GPIO port F bit 1.        |
| PF2                     | 60         | I/O      | TTL                      | GPIO port F bit 2.        |
| PF3                     | 59         | I/O      | TTL                      | GPIO port F bit 3.        |
| PG0                     | 19         | I/O      | TTL                      | GPIO port G bit 0.        |
| PG1                     | 18         | I/O      | TTL                      | GPIO port G bit 1.        |
| $\overline{\text{RST}}$ | 64         | I        | TTL                      | System reset input.       |
| RXIN                    | 37         | I        | Analog                   | RXIN of the Ethernet PHY. |
| RXIP                    | 40         | I        | Analog                   | RXIP of the Ethernet PHY. |
| SSI0Clk                 | 28         | I/O      | TTL                      | SSI module 0 clock.       |
| SSI0Fss                 | 29         | I/O      | TTL                      | SSI module 0 frame.       |

Table 18-2. Signals by Signal Name (continued)

| Pin Name | Pin Number                                  | Pin Type | Buffer Type <sup>a</sup> | Description  |
|----------|---|----------|--------------------------|--|
| SSI0Rx   | 30  | I        | TTL                      | SSI module 0 receive.  |
| SSI0Tx   | 31  | O        | TTL                      | SSI module 0 transmit.   |
| SSI1Clk  | 72  | I/O      | TTL                      | SSI module 1 clock.  |
| SSI1Fss  | 73  | I/O      | TTL                      | SSI module 1 frame.  |
| SSI1Rx   | 74  | I        | TTL                      | SSI module 1 receive.  |
| SSI1Tx   | 75  | O        | TTL                      | SSI module 1 transmit.   |
| SWCLK    | 80  | I        | TTL                      | JTAG/SWD CLK.  |
| SWDIO    | 79  | I/O      | TTL                      | JTAG TMS and SWDIO.  |
| SWO      | 77  | O        | TTL                      | JTAG TDO and SWO.  |
| TCK      | 80  | I        | TTL                      | JTAG/SWD CLK.  |
| TDI      | 78  | I        | TTL                      | JTAG TDI.  |
| TDO      | 77  | O        | TTL                      | JTAG TDO and SWO.  |
| TMS      | 79  | I/O      | TTL                      | JTAG TMS and SWDIO.  |
| TRST     | 89  | I        | TTL                      | JTAG TRST.   |
| TXON     | 46  | O        | Analog                   | TXON of the Ethernet PHY.  |
| TXOP     | 43  | O        | Analog                   | TXOP of the Ethernet PHY.  |
| U0Rx     | 26  | I        | TTL                      | UART module 0 receive. When in IrDA mode, this signal has IrDA modulation.   |
| U0Tx     | 27  | O        | TTL                      | UART module 0 transmit. When in IrDA mode, this signal has IrDA modulation.  |
| U1Rx     | 12  | I        | TTL                      | UART module 1 receive. When in IrDA mode, this signal has IrDA modulation.   |
| U1Tx     | 13  | O        | TTL                      | UART module 1 transmit. When in IrDA mode, this signal has IrDA modulation.  |
| U2Rx     | 19  | I        | TTL                      | UART module 2 receive. When in IrDA mode, this signal has IrDA modulation.   |
| U2Tx     | 18  | O        | TTL                      | UART module 2 transmit. When in IrDA mode, this signal has IrDA modulation.  |
| VBAT     | 55  | -        | Power                    | Power source for the Hibernation module. It is normally connected to the positive terminal of a battery and serves as the battery backup/Hibernation module power-source supply. |
| VCCPHY   | 36<br>83<br>84                              | -        | Power                    | VCC of the Ethernet PHY.   |
| VDD      | 8<br>20<br>32<br>44<br>56<br>68<br>81<br>93 | -        | Power                    | Positive supply for I/O and some logic.  |
| VDD25    | 14<br>38<br>62<br>88                        | -        | Power                    | Positive supply for most of the logic function, including the processor core and most peripherals.   |

Table 18-2. Signals by Signal Name (continued)

| Pin Name                 | Pin Number | Pin Type | Buffer Type <sup>a</sup> | Description   |
|--------------------------|------------|----------|--------------------------|---|
| VDDA                     | 3<br>98    | -        | Power                    | The positive supply (3.3 V) for the analog circuits (ADC, Analog Comparators, etc.). These are separated from VDD to minimize the electrical noise contained on VDD from affecting the analog functions. VDDA pins must be connected to 3.3 V, regardless of system implementation. |
| $\overline{\text{WAKE}}$ | 50         | I        | TTL                      | An external input that brings the processor out of Hibernate mode when asserted.  |
| XOSCO                    | 52         | I        | Analog                   | Hibernation module oscillator crystal input or an external clock reference input. Note that this is either a 4.194304-MHz crystal or a 32.768-kHz oscillator for the Hibernation module RTC. See the CLKSEL bit in the HIBCTL register.   |
| XOSCL                    | 53         | O        | Analog                   | Hibernation module oscillator crystal output. Leave unconnected when using a single-ended clock source.   |
| XTALNPHY                 | 17         | O        | TTL                      | Ethernet PHY XTALN 25-MHz oscillator crystal output. Leave unconnected when using a single-ended 25-MHz clock input connected to the XTALPPHY pin.  |
| XTALPPHY                 | 16         | I        | TTL                      | Ethernet PHY XTALP 25-MHz oscillator crystal input or external clock reference input.   |

a. The TTL designation indicates the pin has TTL-compatible voltage levels.

Table 18-3. Signals by Function, Except for GPIO

| Function           | Pin Name | Pin Number | Pin Type | Buffer Type <sup>a</sup> | Description                         |
|--------------------|----------|------------|----------|--------------------------|-------------------------------------|
| Analog Comparators | C0+      | 90         | I        | Analog                   | Analog comparator 0 positive input. |
|                    | C0-      | 92         | I        | Analog                   | Analog comparator 0 negative input. |
|                    | C0o      | 24         | O        | TTL                      | Analog comparator 0 output.         |
|                    | C1+      | 24         | I        | Analog                   | Analog comparator 1 positive input. |
|                    | C1-      | 91         | I        | Analog                   | Analog comparator 1 negative input. |
|                    | C1o      | 2          | O        | TTL                      | Analog comparator 1 output.         |

Table 18-3. Signals by Function, Except for GPIO (continued)

| Function               | Pin Name | Pin Number     | Pin Type | Buffer Type <sup>a</sup>  | Description   |
|------------------------|----------|----------------|----------|---|---|
| Ethernet               | ERBIAS   | 41             | I        | Analog  | 12.4-kΩ resistor (1% precision) used internally for Ethernet PHY.   |
|                        | GNDPHY   | 42<br>85<br>86 | -        | Power   | GND of the Ethernet PHY.  |
|                        | LED0     | 59             | O        | TTL   | Ethernet LED 0.   |
|                        | LED1     | 60             | O        | TTL   | Ethernet LED 1.   |
|                        | MDIO     | 58             | I/O      | TTL   | MDIO of the Ethernet PHY.   |
|                        | RXIN     | 37             | I        | Analog  | RXIN of the Ethernet PHY.   |
|                        | RXIP     | 40             | I        | Analog  | RXIP of the Ethernet PHY.   |
|                        | TXON     | 46             | O        | Analog  | TXON of the Ethernet PHY.   |
|                        | TXOP     | 43             | O        | Analog  | TXOP of the Ethernet PHY.   |
|                        | VCCPHY   | 36<br>83<br>84 | -        | Power   | VCC of the Ethernet PHY.  |
|                        | XTALNPHY | 17             | O        | TTL   | Ethernet PHY XTALN 25-MHz oscillator crystal output. Leave unconnected when using a single-ended 25-MHz clock input connected to the XTALPPHY pin.  |
| XTALPPHY               | 16       | I              | TTL      | Ethernet PHY XTALP 25-MHz oscillator crystal input or external clock reference input. |   |
| General-Purpose Timers | CCP0     | 66             | I/O      | TTL   | Capture/Compare/PWM 0.  |
|                        | CCP1     | 100            | I/O      | TTL   | Capture/Compare/PWM 1.  |
|                        | CCP2     | 67             | I/O      | TTL   | Capture/Compare/PWM 2.  |
|                        | CCP3     | 23             | I/O      | TTL   | Capture/Compare/PWM 3.  |
|                        | CCP4     | 22             | I/O      | TTL   | Capture/Compare/PWM 4.  |
|                        | CCP5     | 25             | I/O      | TTL   | Capture/Compare/PWM 5.  |
| Hibernate              | HIB      | 51             | O        | OD  | An open-drain output with internal pull-up that indicates the processor is in Hibernate mode.   |
|                        | VBAT     | 55             | -        | Power   | Power source for the Hibernation module. It is normally connected to the positive terminal of a battery and serves as the battery backup/Hibernation module power-source supply.  |
|                        | WAKE     | 50             | I        | TTL   | An external input that brings the processor out of Hibernate mode when asserted.  |
|                        | XOSC0    | 52             | I        | Analog  | Hibernation module oscillator crystal input or an external clock reference input. Note that this is either a 4.194304-MHz crystal or a 32.768-kHz oscillator for the Hibernation module RTC. See the CLKSEL bit in the HIBCTL register. |
|                        | XOSC1    | 53             | O        | Analog  | Hibernation module oscillator crystal output. Leave unconnected when using a single-ended clock source.   |
| I2C                    | I2C0SCL  | 70             | I/O      | OD  | I <sup>2</sup> C module 0 clock.  |
|                        | I2C0SDA  | 71             | I/O      | OD  | I <sup>2</sup> C module 0 data.   |
|                        | I2C1SCL  | 34             | I/O      | OD  | I <sup>2</sup> C module 1 clock.  |
|                        | I2C1SDA  | 35             | I/O      | OD  | I <sup>2</sup> C module 1 data.   |

Table 18-3. Signals by Function, Except for GPIO (continued)

| Function     | Pin Name | Pin Number  | Pin Type | Buffer Type <sup>a</sup> | Description   |
|--------------|----------|---|----------|--------------------------|---|
| JTAG/SWD/SWO | SWCLK    | 80  | I        | TTL                      | JTAG/SWD CLK.   |
|              | SWDIO    | 79  | I/O      | TTL                      | JTAG TMS and SWDIO.   |
|              | SWO      | 77  | O        | TTL                      | JTAG TDO and SWO.   |
|              | TCK      | 80  | I        | TTL                      | JTAG/SWD CLK.   |
|              | TDI      | 78  | I        | TTL                      | JTAG TDI.   |
|              | TDO      | 77  | O        | TTL                      | JTAG TDO and SWO.   |
|              | TMS      | 79  | I/O      | TTL                      | JTAG TMS and SWDIO.   |
|              | TRST     | 89  | I        | TTL                      | JTAG TRST.  |
| Power        | GND      | 9<br>15<br>21<br>33<br>39<br>45<br>54<br>57<br>63<br>69<br>82<br>87<br>94 | -        | Power                    | Ground reference for logic and I/O pins.  |
|              | GNDA     | 4<br>97   | -        | Power                    | The ground reference for the analog circuits ( Analog Comparators, etc.). These are separated from GND to minimize the electrical noise contained on VDD from affecting the analog functions.   |
|              | LDO      | 7   | -        | Power                    | Low drop-out regulator output voltage. This pin requires an external capacitor between the pin and GND of 1 $\mu$ F or greater. When the on-chip LDO is used to provide power to the logic, the LDO pin must also be connected to the VDD25 pins at the board level in addition to the decoupling capacitor(s). |
|              | VDD      | 8<br>20<br>32<br>44<br>56<br>68<br>81<br>93                               | -        | Power                    | Positive supply for I/O and some logic.   |
|              | VDD25    | 14<br>38<br>62<br>88  | -        | Power                    | Positive supply for most of the logic function, including the processor core and most peripherals.  |
|              | VDDA     | 3<br>98   | -        | Power                    | The positive supply (3.3 V) for the analog circuits (ADC, Analog Comparators, etc.). These are separated from VDD to minimize the electrical noise contained on VDD from affecting the analog functions. VDDA pins must be connected to 3.3 V, regardless of system implementation.                             |

Table 18-3. Signals by Function, Except for GPIO (continued)

| Function                | Pin Name | Pin Number | Pin Type | Buffer Type <sup>a</sup> | Description   |
|-------------------------|----------|------------|----------|--------------------------|---|
| SSI                     | SSI0Clk  | 28         | I/O      | TTL                      | SSI module 0 clock.   |
|                         | SSI0Fss  | 29         | I/O      | TTL                      | SSI module 0 frame.   |
|                         | SSI0Rx   | 30         | I        | TTL                      | SSI module 0 receive.   |
|                         | SSI0Tx   | 31         | O        | TTL                      | SSI module 0 transmit.  |
|                         | SSI1Clk  | 72         | I/O      | TTL                      | SSI module 1 clock.   |
|                         | SSI1Fss  | 73         | I/O      | TTL                      | SSI module 1 frame.   |
|                         | SSI1Rx   | 74         | I        | TTL                      | SSI module 1 receive.   |
|                         | SSI1Tx   | 75         | O        | TTL                      | SSI module 1 transmit.  |
| System Control & Clocks | CMOD0    | 65         | I        | TTL                      | CPU Mode bit 0. Input must be set to logic 0 (grounded); other encodings reserved.        |
|                         | CMOD1    | 76         | I        | TTL                      | CPU Mode bit 1. Input must be set to logic 0 (grounded); other encodings reserved.        |
|                         | OSC0     | 48         | I        | Analog                   | Main oscillator crystal input or an external clock reference input.                       |
|                         | OSC1     | 49         | O        | Analog                   | Main oscillator crystal output. Leave unconnected when using a single-ended clock source. |
|                         | RST      | 64         | I        | TTL                      | System reset input.   |
| UART                    | U0Rx     | 26         | I        | TTL                      | UART module 0 receive. When in IrDA mode, this signal has IrDA modulation.                |
|                         | U0Tx     | 27         | O        | TTL                      | UART module 0 transmit. When in IrDA mode, this signal has IrDA modulation.               |
|                         | U1Rx     | 12         | I        | TTL                      | UART module 1 receive. When in IrDA mode, this signal has IrDA modulation.                |
|                         | U1Tx     | 13         | O        | TTL                      | UART module 1 transmit. When in IrDA mode, this signal has IrDA modulation.               |
|                         | U2Rx     | 19         | I        | TTL                      | UART module 2 receive. When in IrDA mode, this signal has IrDA modulation.                |
|                         | U2Tx     | 18         | O        | TTL                      | UART module 2 transmit. When in IrDA mode, this signal has IrDA modulation.               |

a. The TTL designation indicates the pin has TTL-compatible voltage levels.

Table 18-4. GPIO Pins and Alternate Functions

| IO  | Pin Number | Multiplexed Function | Multiplexed Function |
|-----|------------|----------------------|----------------------|
| PA0 | 26         | U0Rx                 |                      |
| PA1 | 27         | U0Tx                 |                      |
| PA2 | 28         | SSI0Clk              |                      |
| PA3 | 29         | SSI0Fss              |                      |
| PA4 | 30         | SSI0Rx               |                      |
| PA5 | 31         | SSI0Tx               |                      |
| PA6 | 34         | I2C1SCL              |                      |
| PA7 | 35         | I2C1SDA              |                      |
| PB0 | 66         | CCP0                 |                      |
| PB1 | 67         | CCP2                 |                      |
| PB2 | 70         | I2C0SCL              |                      |
| PB3 | 71         | I2C0SDA              |                      |



Table 18-4. GPIO Pins and Alternate Functions (continued)

| IO  | Pin Number | Multiplexed Function | Multiplexed Function |
|-----|------------|----------------------|----------------------|
| PB4 | 92         | C0-                  |                      |
| PB5 | 91         | C1-                  |                      |
| PB6 | 90         | C0+                  |                      |
| PB7 | 89         | TRST                 |                      |
| PC0 | 80         | TCK                  | SWCLK                |
| PC1 | 79         | TMS                  | SWDIO                |
| PC2 | 78         | TDI                  |                      |
| PC3 | 77         | TDO                  | SWO                  |
| PC4 | 25         | CCP5                 |                      |
| PC5 | 24         | C1+                  | C0o                  |
| PC6 | 23         | CCP3                 |                      |
| PC7 | 22         | CCP4                 |                      |
| PD0 | 10         |                      |                      |
| PD1 | 11         |                      |                      |
| PD2 | 12         | U1Rx                 |                      |
| PD3 | 13         | U1Tx                 |                      |
| PD4 | 95         |                      |                      |
| PD5 | 96         |                      |                      |
| PD6 | 99         |                      |                      |
| PD7 | 100        | CCP1                 |                      |
| PE0 | 72         | SSI1Clk              |                      |
| PE1 | 73         | SSI1Fss              |                      |
| PE2 | 74         | SSI1Rx               |                      |
| PE3 | 75         | SSI1Tx               |                      |
| PE4 | 6          |                      |                      |
| PE5 | 5          |                      |                      |
| PE6 | 2          | C1o                  |                      |
| PE7 | 1          |                      |                      |
| PF0 | 47         |                      |                      |
| PF1 | 61         |                      |                      |
| PF2 | 60         | LED1                 |                      |
| PF3 | 59         | LED0                 |                      |
| PG0 | 19         | U2Rx                 |                      |
| PG1 | 18         | U2Tx                 |                      |

## 18.2 108-Pin BGA Package Pin Tables

Table 18-5. Signals by Pin Number

| Pin Number | Pin Name | Pin Type | Buffer Type <sup>a</sup> | Description  |
|------------|----------|----------|--------------------------|--|
| A1         | NC       | -        | -                        | No connect. Leave the pin electrically unconnected/isolated. |
| A2         | NC       | -        | -                        | No connect. Leave the pin electrically unconnected/isolated. |

Table 18-5. Signals by Pin Number (continued)

| Pin Number | Pin Name | Pin Type | Buffer Type <sup>a</sup> | Description   |
|------------|----------|----------|--------------------------|---|
| A3         | NC       | -        | -                        | No connect. Leave the pin electrically unconnected/isolated.  |
| A4         | NC       | -        | -                        | No connect. Leave the pin electrically unconnected/isolated.  |
| A5         | GNDA     | -        | Power                    | The ground reference for the analog circuits ( Analog Comparators, etc.). These are separated from GND to minimize the electrical noise contained on VDD from affecting the analog functions. |
| A6         | PB4      | I/O      | TTL                      | GPIO port B bit 4.  |
|            | C0-      | I        | Analog                   | Analog comparator 0 negative input.   |
| A7         | PB6      | I/O      | TTL                      | GPIO port B bit 6.  |
|            | C0+      | I        | Analog                   | Analog comparator 0 positive input.   |
| A8         | PB7      | I/O      | TTL                      | GPIO port B bit 7.  |
|            | TRST     | I        | TTL                      | JTAG TRST.  |
| A9         | PC0      | I/O      | TTL                      | GPIO port C bit 0.  |
|            | SWCLK    | I        | TTL                      | JTAG/SWD CLK.   |
|            | TCK      | I        | TTL                      | JTAG/SWD CLK.   |
| A10        | PC3      | I/O      | TTL                      | GPIO port C bit 3.  |
|            | SWO      | O        | TTL                      | JTAG TDO and SWO.   |
|            | TDO      | O        | TTL                      | JTAG TDO and SWO.   |
| A11        | PE0      | I/O      | TTL                      | GPIO port E bit 0.  |
|            | SSI1Clk  | I/O      | TTL                      | SSI module 1 clock.   |
| A12        | PE3      | I/O      | TTL                      | GPIO port E bit 3.  |
|            | SSI1Tx   | O        | TTL                      | SSI module 1 transmit.  |
| B1         | NC       | -        | -                        | No connect. Leave the pin electrically unconnected/isolated.  |
| B2         | NC       | -        | -                        | No connect. Leave the pin electrically unconnected/isolated.  |
| B3         | NC       | -        | -                        | No connect. Leave the pin electrically unconnected/isolated.  |
| B4         | NC       | -        | -                        | No connect. Leave the pin electrically unconnected/isolated.  |
| B5         | GNDA     | -        | Power                    | The ground reference for the analog circuits ( Analog Comparators, etc.). These are separated from GND to minimize the electrical noise contained on VDD from affecting the analog functions. |
| B6         | GND      | -        | Power                    | Ground reference for logic and I/O pins.  |
| B7         | PB5      | I/O      | TTL                      | GPIO port B bit 5.  |
|            | C1-      | I        | Analog                   | Analog comparator 1 negative input.   |
| B8         | PC2      | I/O      | TTL                      | GPIO port C bit 2.  |
|            | TDI      | I        | TTL                      | JTAG TDI.   |
| B9         | PC1      | I/O      | TTL                      | GPIO port C bit 1.  |
|            | SWDIO    | I/O      | TTL                      | JTAG TMS and SWDIO.   |
|            | TMS      | I/O      | TTL                      | JTAG TMS and SWDIO.   |
| B10        | CMOD1    | I        | TTL                      | CPU Mode bit 1. Input must be set to logic 0 (grounded); other encodings reserved.  |
| B11        | PE2      | I/O      | TTL                      | GPIO port E bit 2.  |
|            | SSI1Rx   | I        | TTL                      | SSI module 1 receive.   |
| B12        | PE1      | I/O      | TTL                      | GPIO port E bit 1.  |
|            | SSI1Fss  | I/O      | TTL                      | SSI module 1 frame.   |
| C1         | PE7      | I/O      | TTL                      | GPIO port E bit 7.  |

Table 18-5. Signals by Pin Number (continued)

| Pin Number | Pin Name | Pin Type | Buffer Type <sup>a</sup> | Description  |
|------------|----------|----------|--------------------------|--|
| C2         | PE6      | I/O      | TTL                      | GPIO port E bit 6.   |
|            | C1o      | O        | TTL                      | Analog comparator 1 output.  |
| C3         | VDD25    | -        | Power                    | Positive supply for most of the logic function, including the processor core and most peripherals.   |
| C4         | GND      | -        | Power                    | Ground reference for logic and I/O pins.   |
| C5         | GND      | -        | Power                    | Ground reference for logic and I/O pins.   |
| C6         | VDDA     | -        | Power                    | The positive supply (3.3 V) for the analog circuits (ADC, Analog Comparators, etc.). These are separated from VDD to minimize the electrical noise contained on VDD from affecting the analog functions. VDDA pins must be connected to 3.3 V, regardless of system implementation.                        |
| C7         | VDDA     | -        | Power                    | The positive supply (3.3 V) for the analog circuits (ADC, Analog Comparators, etc.). These are separated from VDD to minimize the electrical noise contained on VDD from affecting the analog functions. VDDA pins must be connected to 3.3 V, regardless of system implementation.                        |
| C8         | GNDPHY   | -        | Power                    | GND of the Ethernet PHY.   |
| C9         | GNDPHY   | -        | Power                    | GND of the Ethernet PHY.   |
| C10        | VCCPHY   | -        | Power                    | VCC of the Ethernet PHY.   |
| C11        | PB2      | I/O      | TTL                      | GPIO port B bit 2.   |
|            | I2C0SCL  | I/O      | OD                       | I <sup>2</sup> C module 0 clock.   |
| C12        | PB3      | I/O      | TTL                      | GPIO port B bit 3.   |
|            | I2C0SDA  | I/O      | OD                       | I <sup>2</sup> C module 0 data.  |
| D1         | PE4      | I/O      | TTL                      | GPIO port E bit 4.   |
| D2         | PE5      | I/O      | TTL                      | GPIO port E bit 5.   |
| D3         | VDD25    | -        | Power                    | Positive supply for most of the logic function, including the processor core and most peripherals.   |
| D10        | VCCPHY   | -        | Power                    | VCC of the Ethernet PHY.   |
| D11        | VCCPHY   | -        | Power                    | VCC of the Ethernet PHY.   |
| D12        | PB1      | I/O      | TTL                      | GPIO port B bit 1.   |
|            | CCP2     | I/O      | TTL                      | Capture/Compare/PWM 2.   |
| E1         | PD4      | I/O      | TTL                      | GPIO port D bit 4.   |
| E2         | PD5      | I/O      | TTL                      | GPIO port D bit 5.   |
| E3         | LDO      | -        | Power                    | Low drop-out regulator output voltage. This pin requires an external capacitor between the pin and GND of 1 µF or greater. When the on-chip LDO is used to provide power to the logic, the LDO pin must also be connected to the VDD25 pins at the board level in addition to the decoupling capacitor(s). |
| E10        | VDD33    | -        | Power                    | Positive supply for I/O and some logic.  |
| E11        | CMOD0    | I        | TTL                      | CPU Mode bit 0. Input must be set to logic 0 (grounded); other encodings reserved.   |
| E12        | PB0      | I/O      | TTL                      | GPIO port B bit 0.   |
|            | CCP0     | I/O      | TTL                      | Capture/Compare/PWM 0.   |
| F1         | PD7      | I/O      | TTL                      | GPIO port D bit 7.   |
|            | CCP1     | I/O      | TTL                      | Capture/Compare/PWM 1.   |
| F2         | PD6      | I/O      | TTL                      | GPIO port D bit 6.   |

Table 18-5. Signals by Pin Number (continued)

| Pin Number | Pin Name | Pin Type | Buffer Type <sup>a</sup> | Description  |
|------------|----------|----------|--------------------------|--|
| F3         | VDD25    | -        | Power                    | Positive supply for most of the logic function, including the processor core and most peripherals.   |
| F10        | GND      | -        | Power                    | Ground reference for logic and I/O pins.   |
| F11        | GND      | -        | Power                    | Ground reference for logic and I/O pins.   |
| F12        | GND      | -        | Power                    | Ground reference for logic and I/O pins.   |
| G1         | PD0      | I/O      | TTL                      | GPIO port D bit 0.   |
| G2         | PD1      | I/O      | TTL                      | GPIO port D bit 1.   |
| G3         | VDD25    | -        | Power                    | Positive supply for most of the logic function, including the processor core and most peripherals.   |
| G10        | VDD33    | -        | Power                    | Positive supply for I/O and some logic.  |
| G11        | VDD33    | -        | Power                    | Positive supply for I/O and some logic.  |
| G12        | VDD33    | -        | Power                    | Positive supply for I/O and some logic.  |
| H1         | PD3      | I/O      | TTL                      | GPIO port D bit 3.   |
|            | U1Tx     | O        | TTL                      | UART module 1 transmit. When in IrDA mode, this signal has IrDA modulation.  |
| H2         | PD2      | I/O      | TTL                      | GPIO port D bit 2.   |
|            | U1Rx     | I        | TTL                      | UART module 1 receive. When in IrDA mode, this signal has IrDA modulation.   |
| H3         | GND      | -        | Power                    | Ground reference for logic and I/O pins.   |
| H10        | VDD33    | -        | Power                    | Positive supply for I/O and some logic.  |
| H11        | RST      | I        | TTL                      | System reset input.  |
| H12        | PF1      | I/O      | TTL                      | GPIO port F bit 1.   |
| J1         | XTALNPHY | O        | TTL                      | Ethernet PHY XTALN 25-MHz oscillator crystal output. Leave unconnected when using a single-ended 25-MHz clock input connected to the XTALPPHY pin. |
| J2         | XTALPPHY | I        | TTL                      | Ethernet PHY XTALP 25-MHz oscillator crystal input or external clock reference input.  |
| J3         | GND      | -        | Power                    | Ground reference for logic and I/O pins.   |
| J10        | GND      | -        | Power                    | Ground reference for logic and I/O pins.   |
| J11        | PF2      | I/O      | TTL                      | GPIO port F bit 2.   |
|            | LED1     | O        | TTL                      | Ethernet LED 1.  |
| J12        | PF3      | I/O      | TTL                      | GPIO port F bit 3.   |
|            | LED0     | O        | TTL                      | Ethernet LED 0.  |
| K1         | PG0      | I/O      | TTL                      | GPIO port G bit 0.   |
|            | U2Rx     | I        | TTL                      | UART module 2 receive. When in IrDA mode, this signal has IrDA modulation.   |
| K2         | PG1      | I/O      | TTL                      | GPIO port G bit 1.   |
|            | U2Tx     | O        | TTL                      | UART module 2 transmit. When in IrDA mode, this signal has IrDA modulation.  |
| K3         | ERBIAS   | I        | Analog                   | 12.4-kΩ resistor (1% precision) used internally for Ethernet PHY.  |
| K4         | GNDPHY   | -        | Power                    | GND of the Ethernet PHY.   |
| K5         | GND      | -        | Power                    | Ground reference for logic and I/O pins.   |
| K6         | GND      | -        | Power                    | Ground reference for logic and I/O pins.   |
| K7         | VDD33    | -        | Power                    | Positive supply for I/O and some logic.  |

Table 18-5. Signals by Pin Number (continued)

| Pin Number | Pin Name | Pin Type | Buffer Type <sup>a</sup> | Description   |
|------------|----------|----------|--------------------------|---|
| K8         | VDD33    | -        | Power                    | Positive supply for I/O and some logic.   |
| K9         | VDD33    | -        | Power                    | Positive supply for I/O and some logic.   |
| K10        | GND      | -        | Power                    | Ground reference for logic and I/O pins.  |
| K11        | XOSC0    | I        | Analog                   | Hibernation module oscillator crystal input or an external clock reference input. Note that this is either a 4.194304-MHz crystal or a 32.768-kHz oscillator for the Hibernation module RTC. See the CLKSEL bit in the HIBCTL register. |
| K12        | XOSC1    | O        | Analog                   | Hibernation module oscillator crystal output. Leave unconnected when using a single-ended clock source.   |
| L1         | PC4      | I/O      | TTL                      | GPIO port C bit 4.  |
|            | CCP5     | I/O      | TTL                      | Capture/Compare/PWM 5.  |
| L2         | PC7      | I/O      | TTL                      | GPIO port C bit 7.  |
|            | CCP4     | I/O      | TTL                      | Capture/Compare/PWM 4.  |
| L3         | PA0      | I/O      | TTL                      | GPIO port A bit 0.  |
|            | U0Rx     | I        | TTL                      | UART module 0 receive. When in IrDA mode, this signal has IrDA modulation.  |
| L4         | PA3      | I/O      | TTL                      | GPIO port A bit 3.  |
|            | SSI0Fss  | I/O      | TTL                      | SSI module 0 frame.   |
| L5         | PA4      | I/O      | TTL                      | GPIO port A bit 4.  |
|            | SSI0Rx   | I        | TTL                      | SSI module 0 receive.   |
| L6         | PA6      | I/O      | TTL                      | GPIO port A bit 6.  |
|            | I2C1SCL  | I/O      | OD                       | I <sup>2</sup> C module 1 clock.  |
| L7         | RXIN     | I        | Analog                   | RXIN of the Ethernet PHY.   |
| L8         | TXON     | O        | Analog                   | TXON of the Ethernet PHY.   |
| L9         | MDIO     | I/O      | TTL                      | MDIO of the Ethernet PHY.   |
| L10        | GND      | -        | Power                    | Ground reference for logic and I/O pins.  |
| L11        | OSC0     | I        | Analog                   | Main oscillator crystal input or an external clock reference input.   |
| L12        | VBAT     | -        | Power                    | Power source for the Hibernation module. It is normally connected to the positive terminal of a battery and serves as the battery backup/Hibernation module power-source supply.  |
| M1         | PC5      | I/O      | TTL                      | GPIO port C bit 5.  |
|            | C0o      | O        | TTL                      | Analog comparator 0 output.   |
|            | C1+      | I        | Analog                   | Analog comparator 1 positive input.   |
| M2         | PC6      | I/O      | TTL                      | GPIO port C bit 6.  |
|            | CCP3     | I/O      | TTL                      | Capture/Compare/PWM 3.  |
| M3         | PA1      | I/O      | TTL                      | GPIO port A bit 1.  |
|            | U0Tx     | O        | TTL                      | UART module 0 transmit. When in IrDA mode, this signal has IrDA modulation.   |
| M4         | PA2      | I/O      | TTL                      | GPIO port A bit 2.  |
|            | SSI0Clk  | I/O      | TTL                      | SSI module 0 clock.   |
| M5         | PA5      | I/O      | TTL                      | GPIO port A bit 5.  |
|            | SSI0Tx   | O        | TTL                      | SSI module 0 transmit.  |
| M6         | PA7      | I/O      | TTL                      | GPIO port A bit 7.  |
|            | I2C1SDA  | I/O      | OD                       | I <sup>2</sup> C module 1 data.   |

Table 18-5. Signals by Pin Number (continued)

| Pin Number | Pin Name | Pin Type | Buffer Type <sup>a</sup> | Description   |
|------------|----------|----------|--------------------------|---|
| M7         | RXIP     | I        | Analog                   | RXIP of the Ethernet PHY.   |
| M8         | TXOP     | O        | Analog                   | TXOP of the Ethernet PHY.   |
| M9         | PF0      | I/O      | TTL                      | GPIO port F bit 0.  |
| M10        | WAKE     | I        | TTL                      | An external input that brings the processor out of Hibernate mode when asserted.              |
| M11        | OSC1     | O        | Analog                   | Main oscillator crystal output. Leave unconnected when using a single-ended clock source.     |
| M12        | HTB      | O        | OD                       | An open-drain output with internal pull-up that indicates the processor is in Hibernate mode. |

a. The TTL designation indicates the pin has TTL-compatible voltage levels.

Table 18-6. Signals by Signal Name

| Pin Name | Pin Number   | Pin Type | Buffer Type <sup>a</sup> | Description   |
|----------|--|----------|--------------------------|---|
| C0+      | A7   | I        | Analog                   | Analog comparator 0 positive input.   |
| C0-      | A6   | I        | Analog                   | Analog comparator 0 negative input.   |
| C0o      | M1   | O        | TTL                      | Analog comparator 0 output.   |
| C1+      | M1   | I        | Analog                   | Analog comparator 1 positive input.   |
| C1-      | B7   | I        | Analog                   | Analog comparator 1 negative input.   |
| C1o      | C2   | O        | TTL                      | Analog comparator 1 output.   |
| CCP0     | E12  | I/O      | TTL                      | Capture/Compare/PWM 0.  |
| CCP1     | F1   | I/O      | TTL                      | Capture/Compare/PWM 1.  |
| CCP2     | D12  | I/O      | TTL                      | Capture/Compare/PWM 2.  |
| CCP3     | M2   | I/O      | TTL                      | Capture/Compare/PWM 3.  |
| CCP4     | L2   | I/O      | TTL                      | Capture/Compare/PWM 4.  |
| CCP5     | L1   | I/O      | TTL                      | Capture/Compare/PWM 5.  |
| CMOD0    | E11  | I        | TTL                      | CPU Mode bit 0. Input must be set to logic 0 (grounded); other encodings reserved.  |
| CMOD1    | B10  | I        | TTL                      | CPU Mode bit 1. Input must be set to logic 0 (grounded); other encodings reserved.  |
| ERBIAS   | K3   | I        | Analog                   | 12.4-kΩ resistor (1% precision) used internally for Ethernet PHY.   |
| GND      | B6<br>C4<br>C5<br>F10<br>F11<br>F12<br>H3<br>J3<br>J10<br>K5<br>K6<br>K10<br>L10 | -        | Power                    | Ground reference for logic and I/O pins.  |
| GNDA     | A5<br>B5   | -        | Power                    | The ground reference for the analog circuits ( Analog Comparators, etc.). These are separated from GND to minimize the electrical noise contained on VDD from affecting the analog functions. |

Table 18-6. Signals by Signal Name (continued)

| Pin Name         | Pin Number                                   | Pin Type | Buffer Type <sup>a</sup> | Description   |
|------------------|--|----------|--------------------------|---|
| GNDPHY           | C8<br>C9<br>K4                               | -        | Power                    | GND of the Ethernet PHY.  |
| $\overline{HIB}$ | M12  | O        | OD                       | An open-drain output with internal pull-up that indicates the processor is in Hibernate mode.   |
| I2C0SCL          | C11  | I/O      | OD                       | I <sup>2</sup> C module 0 clock.  |
| I2C0SDA          | C12  | I/O      | OD                       | I <sup>2</sup> C module 0 data.   |
| I2C1SCL          | L6   | I/O      | OD                       | I <sup>2</sup> C module 1 clock.  |
| I2C1SDA          | M6   | I/O      | OD                       | I <sup>2</sup> C module 1 data.   |
| LDO              | E3   | -        | Power                    | Low drop-out regulator output voltage. This pin requires an external capacitor between the pin and GND of 1 $\mu$ F or greater. When the on-chip LDO is used to provide power to the logic, the LDO pin must also be connected to the VDD25 pins at the board level in addition to the decoupling capacitor(s). |
| LED0             | J12  | O        | TTL                      | Ethernet LED 0.   |
| LED1             | J11  | O        | TTL                      | Ethernet LED 1.   |
| MDIO             | L9   | I/O      | TTL                      | MDIO of the Ethernet PHY.   |
| NC               | A1<br>A2<br>A3<br>A4<br>B1<br>B2<br>B3<br>B4 | -        | -                        | No connect. Leave the pin electrically unconnected/isolated.  |
| OSC0             | L11  | I        | Analog                   | Main oscillator crystal input or an external clock reference input.   |
| OSC1             | M11  | O        | Analog                   | Main oscillator crystal output. Leave unconnected when using a single-ended clock source.   |
| PA0              | L3   | I/O      | TTL                      | GPIO port A bit 0.  |
| PA1              | M3   | I/O      | TTL                      | GPIO port A bit 1.  |
| PA2              | M4   | I/O      | TTL                      | GPIO port A bit 2.  |
| PA3              | L4   | I/O      | TTL                      | GPIO port A bit 3.  |
| PA4              | L5   | I/O      | TTL                      | GPIO port A bit 4.  |
| PA5              | M5   | I/O      | TTL                      | GPIO port A bit 5.  |
| PA6              | L6   | I/O      | TTL                      | GPIO port A bit 6.  |
| PA7              | M6   | I/O      | TTL                      | GPIO port A bit 7.  |
| PB0              | E12  | I/O      | TTL                      | GPIO port B bit 0.  |
| PB1              | D12  | I/O      | TTL                      | GPIO port B bit 1.  |
| PB2              | C11  | I/O      | TTL                      | GPIO port B bit 2.  |
| PB3              | C12  | I/O      | TTL                      | GPIO port B bit 3.  |
| PB4              | A6   | I/O      | TTL                      | GPIO port B bit 4.  |
| PB5              | B7   | I/O      | TTL                      | GPIO port B bit 5.  |
| PB6              | A7   | I/O      | TTL                      | GPIO port B bit 6.  |
| PB7              | A8   | I/O      | TTL                      | GPIO port B bit 7.  |

Table 18-6. Signals by Signal Name (continued)

| Pin Name | Pin Number | Pin Type | Buffer Type <sup>a</sup> | Description               |
|----------|------------|----------|--------------------------|---------------------------|
| PC0      | A9         | I/O      | TTL                      | GPIO port C bit 0.        |
| PC1      | B9         | I/O      | TTL                      | GPIO port C bit 1.        |
| PC2      | B8         | I/O      | TTL                      | GPIO port C bit 2.        |
| PC3      | A10        | I/O      | TTL                      | GPIO port C bit 3.        |
| PC4      | L1         | I/O      | TTL                      | GPIO port C bit 4.        |
| PC5      | M1         | I/O      | TTL                      | GPIO port C bit 5.        |
| PC6      | M2         | I/O      | TTL                      | GPIO port C bit 6.        |
| PC7      | L2         | I/O      | TTL                      | GPIO port C bit 7.        |
| PD0      | G1         | I/O      | TTL                      | GPIO port D bit 0.        |
| PD1      | G2         | I/O      | TTL                      | GPIO port D bit 1.        |
| PD2      | H2         | I/O      | TTL                      | GPIO port D bit 2.        |
| PD3      | H1         | I/O      | TTL                      | GPIO port D bit 3.        |
| PD4      | E1         | I/O      | TTL                      | GPIO port D bit 4.        |
| PD5      | E2         | I/O      | TTL                      | GPIO port D bit 5.        |
| PD6      | F2         | I/O      | TTL                      | GPIO port D bit 6.        |
| PD7      | F1         | I/O      | TTL                      | GPIO port D bit 7.        |
| PE0      | A11        | I/O      | TTL                      | GPIO port E bit 0.        |
| PE1      | B12        | I/O      | TTL                      | GPIO port E bit 1.        |
| PE2      | B11        | I/O      | TTL                      | GPIO port E bit 2.        |
| PE3      | A12        | I/O      | TTL                      | GPIO port E bit 3.        |
| PE4      | D1         | I/O      | TTL                      | GPIO port E bit 4.        |
| PE5      | D2         | I/O      | TTL                      | GPIO port E bit 5.        |
| PE6      | C2         | I/O      | TTL                      | GPIO port E bit 6.        |
| PE7      | C1         | I/O      | TTL                      | GPIO port E bit 7.        |
| PF0      | M9         | I/O      | TTL                      | GPIO port F bit 0.        |
| PF1      | H12        | I/O      | TTL                      | GPIO port F bit 1.        |
| PF2      | J11        | I/O      | TTL                      | GPIO port F bit 2.        |
| PF3      | J12        | I/O      | TTL                      | GPIO port F bit 3.        |
| PG0      | K1         | I/O      | TTL                      | GPIO port G bit 0.        |
| PG1      | K2         | I/O      | TTL                      | GPIO port G bit 1.        |
| RST      | H11        | I        | TTL                      | System reset input.       |
| RXIN     | L7         | I        | Analog                   | RXIN of the Ethernet PHY. |
| RXIP     | M7         | I        | Analog                   | RXIP of the Ethernet PHY. |
| SSI0Clk  | M4         | I/O      | TTL                      | SSI module 0 clock.       |
| SSI0Fss  | L4         | I/O      | TTL                      | SSI module 0 frame.       |
| SSI0Rx   | L5         | I        | TTL                      | SSI module 0 receive.     |
| SSI0Tx   | M5         | O        | TTL                      | SSI module 0 transmit.    |
| SSI1Clk  | A11        | I/O      | TTL                      | SSI module 1 clock.       |
| SSI1Fss  | B12        | I/O      | TTL                      | SSI module 1 frame.       |
| SSI1Rx   | B11        | I        | TTL                      | SSI module 1 receive.     |
| SSI1Tx   | A12        | O        | TTL                      | SSI module 1 transmit.    |



Table 18-6. Signals by Signal Name (continued)

| Pin Name                 | Pin Number  | Pin Type | Buffer Type <sup>a</sup> | Description   |
|--------------------------|---|----------|--------------------------|---|
| SWCLK                    | A9  | I        | TTL                      | JTAG/SWD CLK.   |
| SWDIO                    | B9  | I/O      | TTL                      | JTAG TMS and SWDIO.   |
| SWO                      | A10   | O        | TTL                      | JTAG TDO and SWO.   |
| TCK                      | A9  | I        | TTL                      | JTAG/SWD CLK.   |
| TDI                      | B8  | I        | TTL                      | JTAG TDI.   |
| TDO                      | A10   | O        | TTL                      | JTAG TDO and SWO.   |
| TMS                      | B9  | I/O      | TTL                      | JTAG TMS and SWDIO.   |
| $\overline{\text{TRST}}$ | A8  | I        | TTL                      | JTAG $\overline{\text{TRST}}$ .   |
| TXON                     | L8  | O        | Analog                   | TXON of the Ethernet PHY.   |
| TXOP                     | M8  | O        | Analog                   | TXOP of the Ethernet PHY.   |
| U0Rx                     | L3  | I        | TTL                      | UART module 0 receive. When in IrDA mode, this signal has IrDA modulation.  |
| U0Tx                     | M3  | O        | TTL                      | UART module 0 transmit. When in IrDA mode, this signal has IrDA modulation.   |
| U1Rx                     | H2  | I        | TTL                      | UART module 1 receive. When in IrDA mode, this signal has IrDA modulation.  |
| U1Tx                     | H1  | O        | TTL                      | UART module 1 transmit. When in IrDA mode, this signal has IrDA modulation.   |
| U2Rx                     | K1  | I        | TTL                      | UART module 2 receive. When in IrDA mode, this signal has IrDA modulation.  |
| U2Tx                     | K2  | O        | TTL                      | UART module 2 transmit. When in IrDA mode, this signal has IrDA modulation.   |
| VBAT                     | L12   | -        | Power                    | Power source for the Hibernation module. It is normally connected to the positive terminal of a battery and serves as the battery backup/Hibernation module power-source supply.  |
| VCCPHY                   | C10<br>D10<br>D11                                 | -        | Power                    | VCC of the Ethernet PHY.  |
| VDD25                    | C3<br>D3<br>F3<br>G3                              | -        | Power                    | Positive supply for most of the logic function, including the processor core and most peripherals.  |
| VDD33                    | E10<br>G10<br>G11<br>G12<br>H10<br>K7<br>K8<br>K9 | -        | Power                    | Positive supply for I/O and some logic.   |
| VDDA                     | C6<br>C7  | -        | Power                    | The positive supply (3.3 V) for the analog circuits (ADC, Analog Comparators, etc.). These are separated from VDD to minimize the electrical noise contained on VDD from affecting the analog functions. VDDA pins must be connected to 3.3 V, regardless of system implementation. |
| $\overline{\text{WAKE}}$ | M10   | I        | TTL                      | An external input that brings the processor out of Hibernation mode when asserted.  |

Table 18-6. Signals by Signal Name (continued)

| Pin Name | Pin Number | Pin Type | Buffer Type <sup>a</sup> | Description   |
|----------|------------|----------|--------------------------|---|
| XOSCO    | K11        | I        | Analog                   | Hibernation module oscillator crystal input or an external clock reference input. Note that this is either a 4.194304-MHz crystal or a 32.768-kHz oscillator for the Hibernation module RTC. See the CLKSEL bit in the HIBCTL register. |
| XOSC1    | K12        | O        | Analog                   | Hibernation module oscillator crystal output. Leave unconnected when using a single-ended clock source.   |
| XTALNPHY | J1         | O        | TTL                      | Ethernet PHY XTALN 25-MHz oscillator crystal output. Leave unconnected when using a single-ended 25-MHz clock input connected to the XTALPPHY pin.  |
| XTALPPHY | J2         | I        | TTL                      | Ethernet PHY XTALP 25-MHz oscillator crystal input or external clock reference input.   |

a. The TTL designation indicates the pin has TTL-compatible voltage levels.

Table 18-7. Signals by Function, Except for GPIO

| Function           | Pin Name | Pin Number        | Pin Type | Buffer Type <sup>a</sup> | Description  |
|--------------------|----------|-------------------|----------|--------------------------|--|
| Analog Comparators | C0+      | A7                | I        | Analog                   | Analog comparator 0 positive input.  |
|                    | C0-      | A6                | I        | Analog                   | Analog comparator 0 negative input.  |
|                    | C0o      | M1                | O        | TTL                      | Analog comparator 0 output.  |
|                    | C1+      | M1                | I        | Analog                   | Analog comparator 1 positive input.  |
|                    | C1-      | B7                | I        | Analog                   | Analog comparator 1 negative input.  |
|                    | C1o      | C2                | O        | TTL                      | Analog comparator 1 output.  |
| Ethernet           | ERBIAS   | K3                | I        | Analog                   | 12.4-kΩ resistor (1% precision) used internally for Ethernet PHY.  |
|                    | GNDPHY   | C8<br>C9<br>K4    | -        | Power                    | GND of the Ethernet PHY.   |
|                    | LED0     | J12               | O        | TTL                      | Ethernet LED 0.  |
|                    | LED1     | J11               | O        | TTL                      | Ethernet LED 1.  |
|                    | MDIO     | L9                | I/O      | TTL                      | MDIO of the Ethernet PHY.  |
|                    | RXIN     | L7                | I        | Analog                   | RXIN of the Ethernet PHY.  |
|                    | RXIP     | M7                | I        | Analog                   | RXIP of the Ethernet PHY.  |
|                    | TXON     | L8                | O        | Analog                   | TXON of the Ethernet PHY.  |
|                    | TXOP     | M8                | O        | Analog                   | TXOP of the Ethernet PHY.  |
|                    | VCCPHY   | C10<br>D10<br>D11 | -        | Power                    | VCC of the Ethernet PHY.   |
|                    | XTALNPHY | J1                | O        | TTL                      | Ethernet PHY XTALN 25-MHz oscillator crystal output. Leave unconnected when using a single-ended 25-MHz clock input connected to the XTALPPHY pin. |
|                    | XTALPPHY | J2                | I        | TTL                      | Ethernet PHY XTALP 25-MHz oscillator crystal input or external clock reference input.  |

Table 18-7. Signals by Function, Except for GPIO (continued)

| Function               | Pin Name                 | Pin Number | Pin Type | Buffer Type <sup>a</sup> | Description  |
|------------------------|--------------------------|------------|----------|--------------------------|--|
| General-Purpose Timers | CCP0                     | E12        | I/O      | TTL                      | Capture/Compare/PWM 0.   |
|                        | CCP1                     | F1         | I/O      | TTL                      | Capture/Compare/PWM 1.   |
|                        | CCP2                     | D12        | I/O      | TTL                      | Capture/Compare/PWM 2.   |
|                        | CCP3                     | M2         | I/O      | TTL                      | Capture/Compare/PWM 3.   |
|                        | CCP4                     | L2         | I/O      | TTL                      | Capture/Compare/PWM 4.   |
|                        | CCP5                     | L1         | I/O      | TTL                      | Capture/Compare/PWM 5.   |
| Hibernate              | $\overline{\text{HTB}}$  | M12        | O        | OD                       | An open-drain output with internal pull-up that indicates the processor is in Hibernate mode.  |
|                        | VBAT                     | L12        | -        | Power                    | Power source for the Hibernation module. It is normally connected to the positive terminal of a battery and serves as the battery backup/Hibernation module power-source supply.   |
|                        | WAKE                     | M10        | I        | TTL                      | An external input that brings the processor out of Hibernate mode when asserted.   |
|                        | XOSC0                    | K11        | I        | Analog                   | Hibernation module oscillator crystal input or an external clock reference input. Note that this is either a 4.194304-MHz crystal or a 32.768-kHz oscillator for the Hibernation module RTC. See the CLKSEL bit in the <b>HIBCTL</b> register. |
|                        | XOSC1                    | K12        | O        | Analog                   | Hibernation module oscillator crystal output. Leave unconnected when using a single-ended clock source.  |
| I2C                    | I2C0SCL                  | C11        | I/O      | OD                       | I <sup>2</sup> C module 0 clock.   |
|                        | I2C0SDA                  | C12        | I/O      | OD                       | I <sup>2</sup> C module 0 data.  |
|                        | I2C1SCL                  | L6         | I/O      | OD                       | I <sup>2</sup> C module 1 clock.   |
|                        | I2C1SDA                  | M6         | I/O      | OD                       | I <sup>2</sup> C module 1 data.  |
| JTAG/SWD/SWO           | SWCLK                    | A9         | I        | TTL                      | JTAG/SWD CLK.  |
|                        | SWDIO                    | B9         | I/O      | TTL                      | JTAG TMS and SWDIO.  |
|                        | SWO                      | A10        | O        | TTL                      | JTAG TDO and SWO.  |
|                        | TCK                      | A9         | I        | TTL                      | JTAG/SWD CLK.  |
|                        | TDI                      | B8         | I        | TTL                      | JTAG TDI.  |
|                        | TDO                      | A10        | O        | TTL                      | JTAG TDO and SWO.  |
|                        | TMS                      | B9         | I/O      | TTL                      | JTAG TMS and SWDIO.  |
|                        | $\overline{\text{TRST}}$ | A8         | I        | TTL                      | JTAG $\overline{\text{TRST}}$ .  |

Table 18-7. Signals by Function, Except for GPIO (continued)

| Function | Pin Name | Pin Number   | Pin Type | Buffer Type <sup>a</sup> | Description   |
|----------|----------|--|----------|--------------------------|---|
| Power    | GND      | B6<br>C4<br>C5<br>F10<br>F11<br>F12<br>H3<br>J3<br>J10<br>K5<br>K6<br>K10<br>L10 | -        | Power                    | Ground reference for logic and I/O pins.  |
|          | GNDA     | A5<br>B5   | -        | Power                    | The ground reference for the analog circuits ( Analog Comparators, etc.). These are separated from GND to minimize the electrical noise contained on VDD from affecting the analog functions.   |
|          | LDO      | E3   | -        | Power                    | Low drop-out regulator output voltage. This pin requires an external capacitor between the pin and GND of 1 $\mu$ F or greater. When the on-chip LDO is used to provide power to the logic, the LDO pin must also be connected to the VDD25 pins at the board level in addition to the decoupling capacitor(s). |
|          | VDD25    | C3<br>D3<br>F3<br>G3   | -        | Power                    | Positive supply for most of the logic function, including the processor core and most peripherals.  |
|          | VDD33    | E10<br>G10<br>G11<br>G12<br>H10<br>K7<br>K8<br>K9                                | -        | Power                    | Positive supply for I/O and some logic.   |
|          | VDDA     | C6<br>C7   | -        | Power                    | The positive supply (3.3 V) for the analog circuits (ADC, Analog Comparators, etc.). These are separated from VDD to minimize the electrical noise contained on VDD from affecting the analog functions. VDDA pins must be connected to 3.3 V, regardless of system implementation.                             |
| SSI      | SSI0Clk  | M4   | I/O      | TTL                      | SSI module 0 clock.   |
|          | SSI0Fss  | L4   | I/O      | TTL                      | SSI module 0 frame.   |
|          | SSI0Rx   | L5   | I        | TTL                      | SSI module 0 receive.   |
|          | SSI0Tx   | M5   | O        | TTL                      | SSI module 0 transmit.  |
|          | SSI1Clk  | A11  | I/O      | TTL                      | SSI module 1 clock.   |
|          | SSI1Fss  | B12  | I/O      | TTL                      | SSI module 1 frame.   |
|          | SSI1Rx   | B11  | I        | TTL                      | SSI module 1 receive.   |
|          | SSI1Tx   | A12  | O        | TTL                      | SSI module 1 transmit.  |

Table 18-7. Signals by Function, Except for GPIO (continued)

| Function                | Pin Name | Pin Number | Pin Type | Buffer Type <sup>a</sup> | Description   |
|-------------------------|----------|------------|----------|--------------------------|---|
| System Control & Clocks | CMOD0    | E11        | I        | TTL                      | CPU Mode bit 0. Input must be set to logic 0 (grounded); other encodings reserved.        |
|                         | CMOD1    | B10        | I        | TTL                      | CPU Mode bit 1. Input must be set to logic 0 (grounded); other encodings reserved.        |
|                         | OSC0     | L11        | I        | Analog                   | Main oscillator crystal input or an external clock reference input.                       |
|                         | OSC1     | M11        | O        | Analog                   | Main oscillator crystal output. Leave unconnected when using a single-ended clock source. |
|                         | RST      | H11        | I        | TTL                      | System reset input.   |
| UART                    | U0Rx     | L3         | I        | TTL                      | UART module 0 receive. When in IrDA mode, this signal has IrDA modulation.                |
|                         | U0Tx     | M3         | O        | TTL                      | UART module 0 transmit. When in IrDA mode, this signal has IrDA modulation.               |
|                         | U1Rx     | H2         | I        | TTL                      | UART module 1 receive. When in IrDA mode, this signal has IrDA modulation.                |
|                         | U1Tx     | H1         | O        | TTL                      | UART module 1 transmit. When in IrDA mode, this signal has IrDA modulation.               |
|                         | U2Rx     | K1         | I        | TTL                      | UART module 2 receive. When in IrDA mode, this signal has IrDA modulation.                |
|                         | U2Tx     | K2         | O        | TTL                      | UART module 2 transmit. When in IrDA mode, this signal has IrDA modulation.               |

a. The TTL designation indicates the pin has TTL-compatible voltage levels.

Table 18-8. GPIO Pins and Alternate Functions

| IO  | Pin Number | Multiplexed Function | Multiplexed Function |
|-----|------------|----------------------|----------------------|
| PA0 | L3         | U0Rx                 |                      |
| PA1 | M3         | U0Tx                 |                      |
| PA2 | M4         | SSI0Clk              |                      |
| PA3 | L4         | SSI0Fss              |                      |
| PA4 | L5         | SSI0Rx               |                      |
| PA5 | M5         | SSI0Tx               |                      |
| PA6 | L6         | I2C1SCL              |                      |
| PA7 | M6         | I2C1SDA              |                      |
| PB0 | E12        | CCP0                 |                      |
| PB1 | D12        | CCP2                 |                      |
| PB2 | C11        | I2C0SCL              |                      |
| PB3 | C12        | I2C0SDA              |                      |
| PB4 | A6         | C0-                  |                      |
| PB5 | B7         | C1-                  |                      |
| PB6 | A7         | C0+                  |                      |
| PB7 | A8         | TRST                 |                      |
| PC0 | A9         | TCK                  | SWCLK                |
| PC1 | B9         | TMS                  | SWDIO                |
| PC2 | B8         | TDI                  |                      |
| PC3 | A10        | TDO                  | SWO                  |

Table 18-8. GPIO Pins and Alternate Functions (*continued*)

| IO  | Pin Number | Multiplexed Function | Multiplexed Function |
|-----|------------|----------------------|----------------------|
| PC4 | L1         | CCP5                 |                      |
| PC5 | M1         | C1+                  | C0o                  |
| PC6 | M2         | CCP3                 |                      |
| PC7 | L2         | CCP4                 |                      |
| PD0 | G1         |                      |                      |
| PD1 | G2         |                      |                      |
| PD2 | H2         | U1Rx                 |                      |
| PD3 | H1         | U1Tx                 |                      |
| PD4 | E1         |                      |                      |
| PD5 | E2         |                      |                      |
| PD6 | F2         |                      |                      |
| PD7 | F1         | CCP1                 |                      |
| PE0 | A11        | SSI1Clk              |                      |
| PE1 | B12        | SSI1Fss              |                      |
| PE2 | B11        | SSI1Rx               |                      |
| PE3 | A12        | SSI1Tx               |                      |
| PE4 | D1         |                      |                      |
| PE5 | D2         |                      |                      |
| PE6 | C2         | C1o                  |                      |
| PE7 | C1         |                      |                      |
| PF0 | M9         |                      |                      |
| PF1 | H12        |                      |                      |
| PF2 | J11        | LED1                 |                      |
| PF3 | J12        | LED0                 |                      |
| PG0 | K1         | U2Rx                 |                      |
| PG1 | K2         | U2Tx                 |                      |

## 19 Operating Characteristics

**Table 19-1. Temperature Characteristics**

| Characteristic                         | Symbol | Value       | Unit |
|--|--------|-------------|------|
| Industrial operating temperature range | $T_A$  | -40 to +85  | °C   |
| Extended operating temperature range   | $T_A$  | -40 to +105 | °C   |
| Unpowered storage temperature range    | $T_S$  | -65 to +150 | °C   |

**Table 19-2. Thermal Characteristics**

| Characteristic  | Symbol        | Value                               | Unit |
|---|---------------|-------------------------------------|------|
| Thermal resistance (junction to ambient) <sup>a</sup> | $\Theta_{JA}$ | 34                                  | °C/W |
| Average junction temperature <sup>b</sup>             | $T_J$         | $T_A + (P_{AVG} \cdot \Theta_{JA})$ | °C   |

a. Junction to ambient thermal resistance  $\Theta_{JA}$  numbers are determined by a package simulator.

b. Power dissipation is a function of temperature.

**Table 19-3. ESD Absolute Maximum Ratings<sup>a</sup>**

| Parameter Name | Min | Nom | Max | Unit |
|----------------|-----|-----|-----|------|
| $V_{ESDHBM}$   | -   | -   | 2.0 | kV   |
| $V_{ESDCDM}$   | -   | -   | 1.0 | kV   |
| $V_{ESDMM}$    | -   | -   | 100 | V    |

a. All Stellaris parts are ESD tested following the JEDEC standard.

## 20 Electrical Characteristics

### 20.1 DC Characteristics

#### 20.1.1 Maximum Ratings

The maximum ratings are the limits to which the device can be subjected without permanently damaging the device.

**Note:** The device is not guaranteed to operate properly at the maximum ratings.

**Table 20-1. Maximum Ratings**

| Characteristic <sup>a</sup>                 | Symbol      | Value |     | Unit |
|---|-------------|-------|-----|------|
|   |             | Min   | Max |      |
| I/O supply voltage ( $V_{DD}$ )             | $V_{DD}$    | 0     | 4   | V    |
| Core supply voltage ( $V_{DD25}$ )          | $V_{DD25}$  | 0     | 3   | V    |
| Analog supply voltage ( $V_{DDA}$ )         | $V_{DDA}$   | 0     | 4   | V    |
| Battery supply voltage ( $V_{BAT}$ )        | $V_{BAT}$   | 0     | 4   | V    |
| Ethernet PHY supply voltage ( $V_{CCPHY}$ ) | $V_{CCPHY}$ | 0     | 4   | V    |
| Input voltage                               | $V_{IN}$    | -0.3  | 5.5 | V    |
| Maximum current per output pins             | I           | -     | 25  | mA   |

a. Voltages are measured with respect to GND.

**Important:** This device contains circuitry to protect the inputs against damage due to high-static voltages or electric fields; however, it is advised that normal precautions be taken to avoid application of any voltage higher than maximum-rated voltages to this high-impedance circuit. Reliability of operation is enhanced if unused inputs are connected to an appropriate logic voltage level (for example, either GND or  $V_{DD}$ ).

#### 20.1.2 Recommended DC Operating Conditions

For special high-current applications, the GPIO output buffers may be used with the following restrictions. With the GPIO pins configured as 8-mA output drivers, a total of four GPIO outputs may be used to sink current loads up to 18 mA each. At 18-mA sink current loading, the  $V_{OL}$  value is specified as 1.2 V. The high-current GPIO package pins must be selected such that there are only a maximum of two per side of the physical package or BGA pin group with the total number of high-current GPIO outputs not exceeding four for the entire package.

**Table 20-2. Recommended DC Operating Conditions**

| Parameter   | Parameter Name              | Min  | Nom | Max  | Unit |
|-------------|-----------------------------|------|-----|------|------|
| $V_{DD}$    | I/O supply voltage          | 3.0  | 3.3 | 3.6  | V    |
| $V_{DD25}$  | Core supply voltage         | 2.25 | 2.5 | 2.75 | V    |
| $V_{DDA}$   | Analog supply voltage       | 3.0  | 3.3 | 3.6  | V    |
| $V_{BAT}$   | Battery supply voltage      | 2.3  | 3.0 | 3.6  | V    |
| $V_{CCPHY}$ | Ethernet PHY supply voltage | 3.0  | 3.3 | 3.6  | V    |
| $V_{IH}$    | High-level input voltage    | 2.0  | -   | 5.0  | V    |
| $V_{IL}$    | Low-level input voltage     | -0.3 | -   | 1.3  | V    |



**Table 20-2. Recommended DC Operating Conditions (continued)**

| Parameter  | Parameter Name                            | Min | Nom | Max | Unit |
|------------|---|-----|-----|-----|------|
| $V_{OH}^a$ | High-level output voltage                 | 2.4 | -   | -   | V    |
| $V_{OL}^a$ | Low-level output voltage                  | -   | -   | 0.4 | V    |
| $I_{OH}$   | High-level source current, $V_{OH}=2.4$ V |     |     |     |      |
|            | 2-mA Drive                                | 2.0 | -   | -   | mA   |
|            | 4-mA Drive                                | 4.0 | -   | -   | mA   |
|            | 8-mA Drive                                | 8.0 | -   | -   | mA   |
| $I_{OL}$   | Low-level sink current, $V_{OL}=0.4$ V    |     |     |     |      |
|            | 2-mA Drive                                | 2.0 | -   | -   | mA   |
|            | 4-mA Drive                                | 4.0 | -   | -   | mA   |
|            | 8-mA Drive                                | 8.0 | -   | -   | mA   |

a.  $V_{OL}$  and  $V_{OH}$  shift to 1.2 V when using high-current GPIOs.

### 20.1.3 On-Chip Low Drop-Out (LDO) Regulator Characteristics

**Table 20-3. LDO Regulator Characteristics**

| Parameter    | Parameter Name   | Min  | Nom | Max  | Unit    |
|--------------|--|------|-----|------|---------|
| $V_{LDOOUT}$ | Programmable internal (logic) power supply output value  | 2.25 | 2.5 | 2.75 | V       |
|              | Output voltage accuracy                                  | -    | 2%  | -    | %       |
| $t_{PON}$    | Power-on time  | -    | -   | 100  | $\mu$ s |
| $t_{ON}$     | Time on  | -    | -   | 200  | $\mu$ s |
| $t_{OFF}$    | Time off   | -    | -   | 100  | $\mu$ s |
| $V_{STEP}$   | Step programming incremental voltage                     | -    | 50  | -    | mV      |
| $C_{LDO}$    | External filter capacitor size for internal power supply | 1.0  | -   | 3.0  | $\mu$ F |

### 20.1.4 GPIO Module Characteristics

**Table 20-4. GPIO Module DC Characteristics**

| Parameter    | Parameter Name                   | Min | Nom | Max | Unit       |
|--------------|----------------------------------|-----|-----|-----|------------|
| $R_{GPIOPU}$ | GPIO internal pull-up resistor   | 50  | -   | 110 | k $\Omega$ |
| $R_{GPIOPD}$ | GPIO internal pull-down resistor | 55  | -   | 180 | k $\Omega$ |

### 20.1.5 Power Specifications

The power measurements specified in the tables that follow are run on the core processor using SRAM with the following specifications (except as noted):

- $V_{DD} = 3.3$  V
- $V_{DD25} = 2.50$  V
- $V_{BAT} = 3.0$  V
- $V_{DDA} = 3.3$  V

- $V_{DDPHY} = 3.3\text{ V}$
- Temperature =  $25^{\circ}\text{C}$
- Clock Source (MOSC) = 3.579545 MHz Crystal Oscillator
- Main oscillator (MOSC) = enabled
- Internal oscillator (IOSC) = disabled

**Table 20-5. Detailed Power Specifications**

| Parameter           | Parameter Name          | Conditions  | 3.3 V $V_{DD}$ , $V_{DDA}$ , $V_{DDPHY}$ |                      | 2.5 V $V_{DD25}$ |                      | 3.0 V $V_{BAT}$ |                      | Unit |
|---------------------|-------------------------|---|--|----------------------|------------------|----------------------|-----------------|----------------------|------|
|                     |                         |   | Nom                                      | Max                  | Nom              | Max                  | Nom             | Max                  |      |
| $I_{DD\_RUN}$       | Run mode 1 (Flash loop) | $V_{DD25} = 2.50\text{ V}$<br>Code= while(1){} executed in Flash<br>Peripherals = All ON<br>System Clock = 50 MHz (with PLL)  | 48                                       | pending <sup>a</sup> | 108              | pending <sup>a</sup> | 0               | pending <sup>a</sup> | mA   |
|                     | Run mode 2 (Flash loop) | $V_{DD25} = 2.50\text{ V}$<br>Code= while(1){} executed in Flash<br>Peripherals = All OFF<br>System Clock = 50 MHz (with PLL) | 5  | pending <sup>a</sup> | 52               | pending <sup>a</sup> | 0               | pending <sup>a</sup> | mA   |
|                     | Run mode 1 (SRAM loop)  | $V_{DD25} = 2.50\text{ V}$<br>Code= while(1){} executed in SRAM<br>Peripherals = All ON<br>System Clock = 50 MHz (with PLL)   | 48                                       | pending <sup>a</sup> | 100              | pending <sup>a</sup> | 0               | pending <sup>a</sup> | mA   |
|                     | Run mode 2 (SRAM loop)  | $V_{DD25} = 2.50\text{ V}$<br>Code= while(1){} executed in SRAM<br>Peripherals = All OFF<br>System Clock = 50 MHz (with PLL)  | 5  | pending <sup>a</sup> | 45               | pending <sup>a</sup> | 0               | pending <sup>a</sup> | mA   |
| $I_{DD\_SLEEP}$     | Sleep mode              | $V_{DD25} = 2.50\text{ V}$<br>Peripherals = All OFF<br>System Clock = 50 MHz (with PLL)                                       | 5  | pending <sup>a</sup> | 16               | pending <sup>a</sup> | 0               | pending <sup>a</sup> | mA   |
| $I_{DD\_DEEPSLEEP}$ | Deep-Sleep mode         | LDO = 2.25 V<br>Peripherals = All OFF<br>System Clock = IOSC30KHZ/64  | 4.6                                      | pending <sup>a</sup> | 0.21             | pending <sup>a</sup> | 0               | pending <sup>a</sup> | mA   |

Table 20-5. Detailed Power Specifications (continued)

| Parameter           | Parameter Name | Conditions   | 3.3 V $V_{DD}$ , $V_{DDA}$ ,<br>$V_{DDPHY}$ |     | 2.5 V $V_{DD25}$ |     | 3.0 V $V_{BAT}$ |                      | Unit          |
|---------------------|----------------|--|---|-----|------------------|-----|-----------------|----------------------|---------------|
|                     |                |  | Nom   | Max | Nom              | Max | Nom             | Max                  |               |
| $I_{DD\_HIBERNATE}$ | Hibernate mode | $V_{BAT} = 3.0\text{ V}$<br>$V_{DD} = 0\text{ V}$<br>$V_{DD25} = 0\text{ V}$<br>$V_{DDA} = 0\text{ V}$<br>$V_{DDPHY} = 0\text{ V}$<br>Peripherals = All OFF<br>System Clock = OFF<br>Hibernate Module = 32 kHz | 0   | 0   | 0                | 0   | 16              | pending <sup>a</sup> | $\mu\text{A}$ |

a. Pending characterization completion.

## 20.1.6 Flash Memory Characteristics

Table 20-6. Flash Memory Characteristics

| Parameter   | Parameter Name   | Min    | Nom     | Max | Unit          |
|-------------|--|--------|---------|-----|---------------|
| $PE_{CYC}$  | Number of guaranteed program/erase cycles before failure <sup>a</sup>                    | 10,000 | 100,000 | -   | cycles        |
| $T_{RET}$   | Data retention at average operating temperature of 85°C (industrial) or 105°C (extended) | 10     | -       | -   | years         |
| $T_{PROG}$  | Word program time  | 20     | -       | -   | $\mu\text{s}$ |
| $T_{ERASE}$ | Page erase time  | 20     | -       | -   | ms            |
| $T_{ME}$    | Mass erase time  | -      | -       | 250 | ms            |

a. A program/erase cycle is defined as switching the bits from 1-> 0 -> 1.

## 20.1.7 Hibernation

Table 20-7. Hibernation Module DC Characteristics

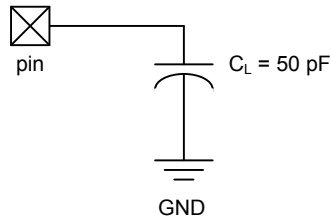
| Parameter    | Parameter Name                              | Value | Unit       |
|--------------|---|-------|------------|
| $V_{LOWBAT}$ | Low battery detect voltage                  | 2.35  | V          |
| $R_{WAKEPU}$ | $\overline{WAKE}$ internal pull-up resistor | 200   | k $\Omega$ |

## 20.2 AC Characteristics

### 20.2.1 Load Conditions

Unless otherwise specified, the following conditions are true for all timing measurements. Timing measurements are for 4-mA drive strength.

Figure 20-1. Load Conditions



## 20.2.2 Clocks

Table 20-8. Phase Locked Loop (PLL) Characteristics

| Parameter                | Parameter Name                        | Min      | Nom | Max   | Unit |
|--------------------------|---------------------------------------|----------|-----|-------|------|
| f <sub>ref_crystal</sub> | Crystal reference <sup>a</sup>        | 3.579545 | -   | 8.192 | MHz  |
| f <sub>ref_ext</sub>     | External clock reference <sup>a</sup> | 3.579545 | -   | 8.192 | MHz  |
| f <sub>pll</sub>         | PLL frequency <sup>b</sup>            | -        | 400 | -     | MHz  |
| T <sub>READY</sub>       | PLL lock time                         | -        | -   | 0.5   | ms   |

a. The exact value is determined by the crystal value programmed into the XTAL field of the **Run-Mode Clock Configuration (RCC)** register.

b. PLL frequency is automatically calculated by the hardware based on the XTAL field of the **RCC** register.

Table 20-9 on page 476 shows the actual frequency of the PLL based on the crystal frequency used (defined by the XTAL field in the **RCC** register).

Table 20-9. Actual PLL Frequency

| XTAL | Crystal Frequency (MHz) | PLL Frequency (MHz) | Error   |
|------|-------------------------|---------------------|---------|
| 0x4  | 3.5795                  | 400.904             | 0.0023% |
| 0x5  | 3.6864                  | 398.1312            | 0.0047% |
| 0x6  | 4.0                     | 400                 | -       |
| 0x7  | 4.096                   | 401.408             | 0.0035% |
| 0x8  | 4.9152                  | 398.1312            | 0.0047% |
| 0x9  | 5.0                     | 400                 | -       |
| 0xA  | 5.12                    | 399.36              | 0.0016% |
| 0xB  | 6.0                     | 400                 | -       |
| 0xC  | 6.144                   | 399.36              | 0.0016% |
| 0xD  | 7.3728                  | 398.1312            | 0.0047% |
| 0xE  | 8.0                     | 400                 | 0.0047% |
| 0xF  | 8.192                   | 398.6773333         | 0.0033% |

Table 20-10. Clock Characteristics

| Parameter              | Parameter Name                               | Min | Nom      | Max  | Unit |
|------------------------|--|-----|----------|------|------|
| f <sub>IOSC</sub>      | Internal 12 MHz oscillator frequency         | 8.4 | 12       | 15.6 | MHz  |
| f <sub>IOSC30KHZ</sub> | Internal 30 KHz oscillator frequency         | 15  | 30       | 45   | KHz  |
| f <sub>XOSC</sub>      | Hibernation module oscillator frequency      | -   | 4.194304 | -    | MHz  |
| f <sub>XOSC_XTAL</sub> | Crystal reference for hibernation oscillator | -   | 4.194304 | -    | MHz  |

Table 20-10. Clock Characteristics (continued)

| Parameter                       | Parameter Name   | Min | Nom    | Max   | Unit |
|---------------------------------|--|-----|--------|-------|------|
| f <sub>XOSC_EXT</sub>           | External clock reference for hibernation module                  | -   | 32.768 | -     | KHz  |
| f <sub>MOSC</sub>               | Main oscillator frequency  | 1   | -      | 8.192 | MHz  |
| t <sub>MOSC_per</sub>           | Main oscillator period   | 125 | -      | 1000  | ns   |
| f <sub>ref_crystal_bypass</sub> | Crystal reference using the main oscillator (PLL in BYPASS mode) | 1   | -      | 8.192 | MHz  |
| f <sub>ref_ext_bypass</sub>     | External clock reference (PLL in BYPASS mode)                    | 0   | -      | 50    | MHz  |
| f <sub>system_clock</sub>       | System clock   | 0   | -      | 50    | MHz  |

Table 20-11. Crystal Characteristics

| Parameter Name                         | Value    |          |          |          | Units  |
|--|----------|----------|----------|----------|--------|
| Frequency                              | 8        | 6        | 4        | 3.5      | MHz    |
| Frequency tolerance                    | ±50      | ±50      | ±50      | ±50      | ppm    |
| Aging                                  | ±5       | ±5       | ±5       | ±5       | ppm/yr |
| Oscillation mode                       | Parallel | Parallel | Parallel | Parallel | -      |
| Temperature stability (-40°C to 85°C)  | ±25      | ±25      | ±25      | ±25      | ppm    |
| Temperature stability (-40°C to 105°C) | ±25      | ±25      | ±25      | ±25      | ppm    |
| Motional capacitance (typ)             | 27.8     | 37.0     | 55.6     | 63.5     | pF     |
| Motional inductance (typ)              | 14.3     | 19.1     | 28.6     | 32.7     | mH     |
| Equivalent series resistance (max)     | 120      | 160      | 200      | 220      | Ω      |
| Shunt capacitance (max)                | 10       | 10       | 10       | 10       | pF     |
| Load capacitance (typ)                 | 16       | 16       | 16       | 16       | pF     |
| Drive level (typ)                      | 100      | 100      | 100      | 100      | μW     |

### 20.2.3 JTAG and Boundary Scan

Table 20-12. JTAG Characteristics

| Parameter No. | Parameter             | Parameter Name                  | Min | Nom              | Max | Unit |
|---------------|-----------------------|---------------------------------|-----|------------------|-----|------|
| J1            | f <sub>TCK</sub>      | TCK operational clock frequency | 0   | -                | 10  | MHz  |
| J2            | t <sub>TCK</sub>      | TCK operational clock period    | 100 | -                | -   | ns   |
| J3            | t <sub>TCK_LOW</sub>  | TCK clock Low time              | -   | t <sub>TCK</sub> | -   | ns   |
| J4            | t <sub>TCK_HIGH</sub> | TCK clock High time             | -   | t <sub>TCK</sub> | -   | ns   |
| J5            | t <sub>TCK_R</sub>    | TCK rise time                   | 0   | -                | 10  | ns   |
| J6            | t <sub>TCK_F</sub>    | TCK fall time                   | 0   | -                | 10  | ns   |
| J7            | t <sub>TMS_SU</sub>   | TMS setup time to TCK rise      | 20  | -                | -   | ns   |
| J8            | t <sub>TMS_HLD</sub>  | TMS hold time from TCK rise     | 20  | -                | -   | ns   |
| J9            | t <sub>TDI_SU</sub>   | TDI setup time to TCK rise      | 25  | -                | -   | ns   |
| J10           | t <sub>TDI_HLD</sub>  | TDI hold time from TCK rise     | 25  | -                | -   | ns   |

Table 20-12. JTAG Characteristics (continued)

| Parameter No. | Parameter                              | Parameter Name                    | Min | Nom | Max | Unit |
|---------------|--|-----------------------------------|-----|-----|-----|------|
| J11           | TCK fall to Data Valid from High-Z     | 2-mA drive                        | -   | 23  | 35  | ns   |
|               |  | 4-mA drive                        |     | 15  | 26  | ns   |
|               |  | 8-mA drive                        |     | 14  | 25  | ns   |
|               |  | 8-mA drive with slew rate control |     | 18  | 29  | ns   |
| J12           | TCK fall to Data Valid from Data Valid | 2-mA drive                        | -   | 21  | 35  | ns   |
|               |  | 4-mA drive                        |     | 14  | 25  | ns   |
|               |  | 8-mA drive                        |     | 13  | 24  | ns   |
|               |  | 8-mA drive with slew rate control |     | 18  | 28  | ns   |
| J13           | TCK fall to High-Z from Data Valid     | 2-mA drive                        | -   | 9   | 11  | ns   |
|               |  | 4-mA drive                        |     | 7   | 9   | ns   |
|               |  | 8-mA drive                        |     | 6   | 8   | ns   |
|               |  | 8-mA drive with slew rate control |     | 7   | 9   | ns   |
| J14           | $t_{TRST}$                             | TRST assertion time               | 100 | -   | -   | ns   |
| J15           | $t_{TRST\_SU}$                         | TRST setup time to TCK rise       | 10  | -   | -   | ns   |

Figure 20-2. JTAG Test Clock Input Timing

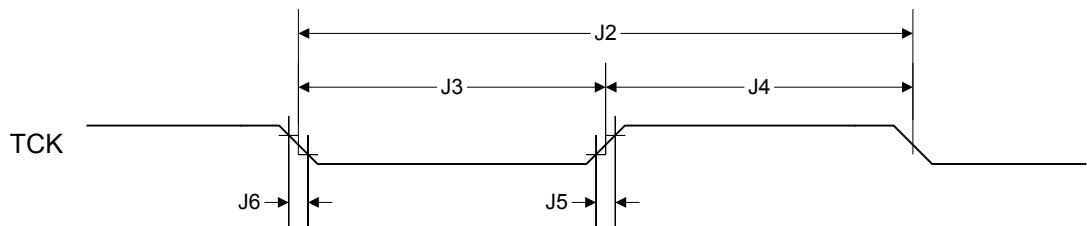


Figure 20-3. JTAG Test Access Port (TAP) Timing

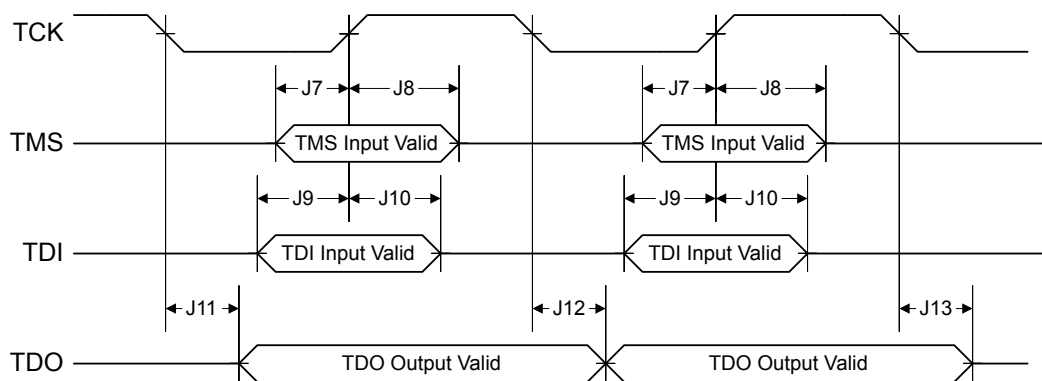
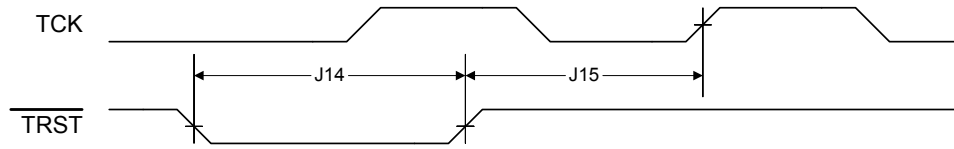


Figure 20-4. JTAG TRST Timing

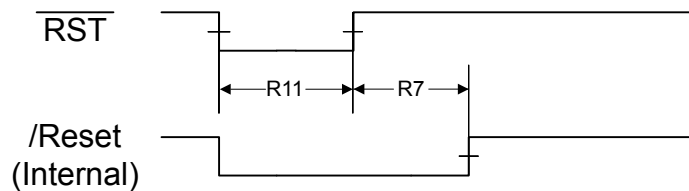


## 20.2.4 Reset

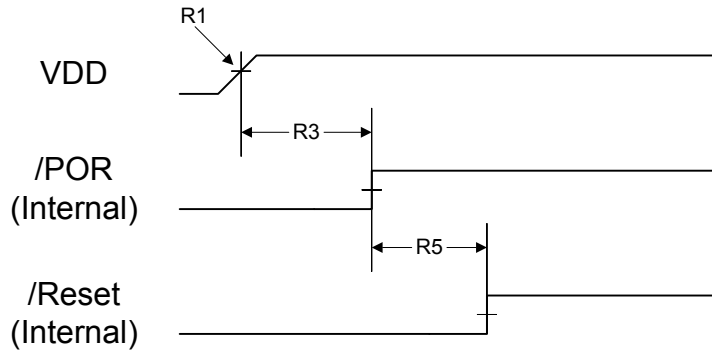
Table 20-13. Reset Characteristics

| Parameter No. | Parameter     | Parameter Name  | Min  | Nom | Max  | Unit    |
|---------------|---------------|---|------|-----|------|---------|
| R1            | $V_{TH}$      | Reset threshold   | -    | 2.0 | -    | V       |
| R2            | $V_{BTH}$     | Brown-Out threshold   | 2.85 | 2.9 | 2.95 | V       |
| R3            | $T_{POR}$     | Power-On Reset timeout  | -    | 10  | -    | ms      |
| R4            | $T_{BOR}$     | Brown-Out timeout   | -    | 500 | -    | $\mu$ s |
| R5            | $T_{IRPOR}$   | Internal reset timeout after POR  | 6    | -   | 11   | ms      |
| R6            | $T_{IRBOR}$   | Internal reset timeout after BOR <sup>a</sup>                             | 0    | -   | 1    | $\mu$ s |
| R7            | $T_{IRHWR}$   | Internal reset timeout after hardware reset ( $\overline{RST}$ pin)       | 0    | -   | 1    | ms      |
| R8            | $T_{IRSWR}$   | Internal reset timeout after software-initiated system reset <sup>a</sup> | 2.5  | -   | 20   | $\mu$ s |
| R9            | $T_{IRWDR}$   | Internal reset timeout after watchdog reset <sup>a</sup>                  | 2.5  | -   | 20   | $\mu$ s |
| R10           | $T_{VDDRISE}$ | Supply voltage ( $V_{DD}$ ) rise time (0V-3.3V)                           | -    | -   | 250  | $\mu$ s |
| R11           | $T_{MIN}$     | Minimum $\overline{RST}$ pulse width                                      | 2    | -   | -    | $\mu$ s |

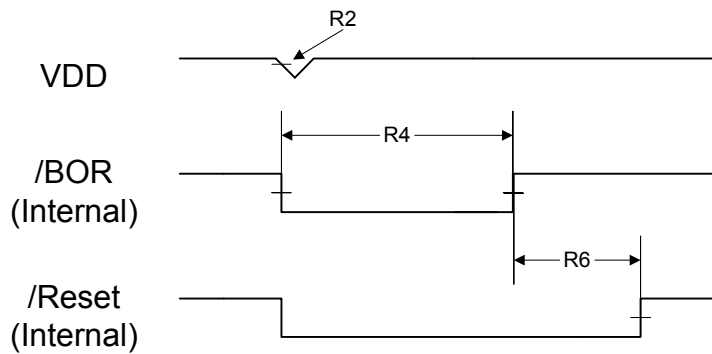
a.  $20 * t_{MOSC\_per}$

Figure 20-5. External Reset Timing ( $\overline{RST}$ )

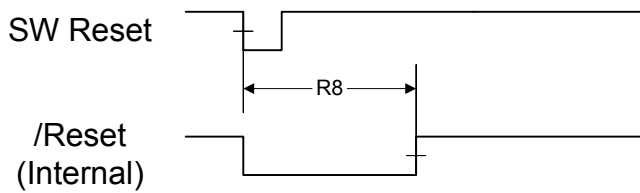
**Figure 20-6. Power-On Reset Timing**



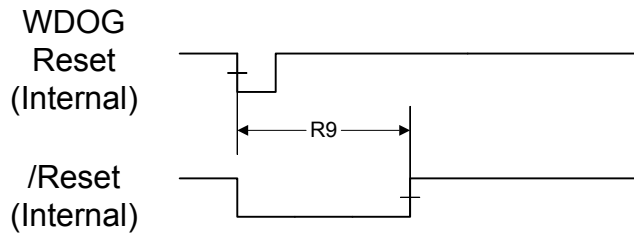
**Figure 20-7. Brown-Out Reset Timing**



**Figure 20-8. Software Reset Timing**



**Figure 20-9. Watchdog Reset Timing**





## 20.2.5 Sleep Modes

**Table 20-14. Sleep Modes AC Characteristics<sup>a</sup>**

| Parameter No | Parameter          | Parameter Name   | Min | Nom | Max         | Unit          |
|--------------|--------------------|--|-----|-----|-------------|---------------|
| D1           | $t_{WAKE\_S}$      | Time to wake from interrupt in sleep or deep-sleep mode, not using the PLL | -   | -   | 7           | system clocks |
| D2           | $t_{WAKE\_PLL\_S}$ | Time to wake from interrupt in sleep or deep-sleep mode when using the PLL | -   | -   | $T_{READY}$ | ms            |

a. Values in this table assume the IOISC is the clock source during sleep or deep-sleep mode.

## 20.2.6 Hibernation Module

The Hibernation Module requires special system implementation considerations since it is intended to power-down all other sections of its host device. The system power-supply distribution and interfaces to the device must be driven to 0 V<sub>DC</sub> or powered down with the same external voltage regulator controlled by  $\overline{HIB}$ .

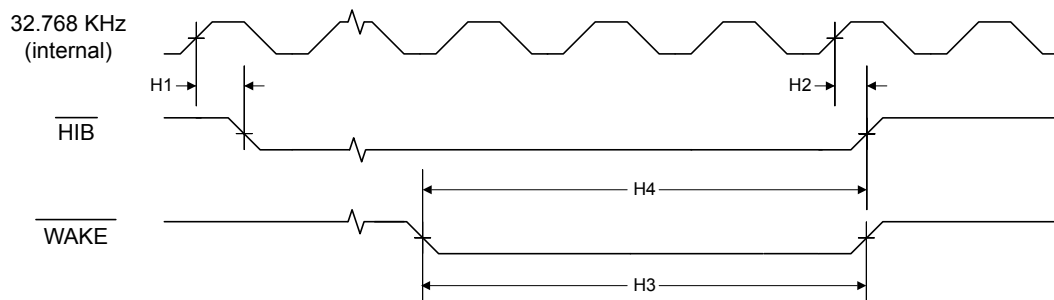
The external voltage regulators controlled by  $\overline{HIB}$  must have a settling time of 250  $\mu$ s or less.

**Table 20-15. Hibernation Module AC Characteristics**

| Parameter No | Parameter              | Parameter Name   | Min | Nom | Max | Unit    |
|--------------|------------------------|--|-----|-----|-----|---------|
| H1           | $t_{HIB\_LOW}$         | Internal 32.768 KHz clock reference rising edge to /HIB asserted         | -   | 200 | -   | $\mu$ s |
| H2           | $t_{HIB\_HIGH}$        | Internal 32.768 KHz clock reference rising edge to /HIB deasserted       | -   | 30  | -   | $\mu$ s |
| H3           | $t_{WAKE\_ASSERT}$     | /WAKE assertion time   | 62  | -   | -   | $\mu$ s |
| H4           | $t_{WAKETOHIB}$        | /WAKE assert to /HIB desassert   | 62  | -   | 124 | $\mu$ s |
| H5           | $t_{XOSC\_SETTLE}$     | XOSC settling time <sup>a</sup>  | 20  | -   | -   | ms      |
| H6           | $t_{HIB\_REG\_ACCESS}$ | Access time to or from a non-volatile register in HIB module to complete | 92  | -   | -   | $\mu$ s |
| H7           | $t_{HIB\_TO\_VDD}$     | $\overline{HIB}$ deassert to VDD and VDD25 at minimum operational level  | -   | -   | 250 | $\mu$ s |

a. This parameter is highly sensitive to PCB layout and trace lengths, which may make this parameter time longer. Care must be taken in PCB design to minimize trace lengths and RLC (resistance, inductance, capacitance).

**Figure 20-10. Hibernation Module Timing**



## 20.2.7 General-Purpose I/O (GPIO)

**Note:** All GPIOs are 5 V-tolerant.

**Table 20-16. GPIO Characteristics**

| Parameter          | Parameter Name                                | Condition                         | Min | Nom | Max | Unit |
|--------------------|---|-----------------------------------|-----|-----|-----|------|
| $t_{GPIO\text{R}}$ | GPIO Rise Time (from 20% to 80% of $V_{DD}$ ) | 2-mA drive                        | -   | 17  | 26  | ns   |
|                    |   | 4-mA drive                        |     | 9   | 13  | ns   |
|                    |   | 8-mA drive                        |     | 6   | 9   | ns   |
|                    |   | 8-mA drive with slew rate control |     | 10  | 12  | ns   |
| $t_{GPIO\text{F}}$ | GPIO Fall Time (from 80% to 20% of $V_{DD}$ ) | 2-mA drive                        | -   | 17  | 25  | ns   |
|                    |   | 4-mA drive                        |     | 8   | 12  | ns   |
|                    |   | 8-mA drive                        |     | 6   | 10  | ns   |
|                    |   | 8-mA drive with slew rate control |     | 11  | 13  | ns   |

### 20.2.8 Synchronous Serial Interface (SSI)

**Table 20-17. SSI Characteristics**

| Parameter No. | Parameter          | Parameter Name                    | Min | Nom | Max   | Unit          |
|---------------|--------------------|-----------------------------------|-----|-----|-------|---------------|
| S1            | $t_{clk\_per}$     | SSIClk cycle time                 | 2   | -   | 65024 | system clocks |
| S2            | $t_{clk\_high}$    | SSIClk high time                  | -   | 0.5 | -     | t clk_per     |
| S3            | $t_{clk\_low}$     | SSIClk low time                   | -   | 0.5 | -     | t clk_per     |
| S4            | $t_{clk\text{rf}}$ | SSIClk rise/fall time             | -   | 7.4 | 26    | ns            |
| S5            | $t_{DMd}$          | Data from master valid delay time | 0   | -   | 1     | system clocks |
| S6            | $t_{DMs}$          | Data from master setup time       | 1   | -   | -     | system clocks |
| S7            | $t_{DMh}$          | Data from master hold time        | 2   | -   | -     | system clocks |
| S8            | $t_{DSs}$          | Data from slave setup time        | 1   | -   | -     | system clocks |
| S9            | $t_{DS\text{h}}$   | Data from slave hold time         | 2   | -   | -     | system clocks |

**Figure 20-11. SSI Timing for TI Frame Format (FRF=01), Single Transfer Timing Measurement**

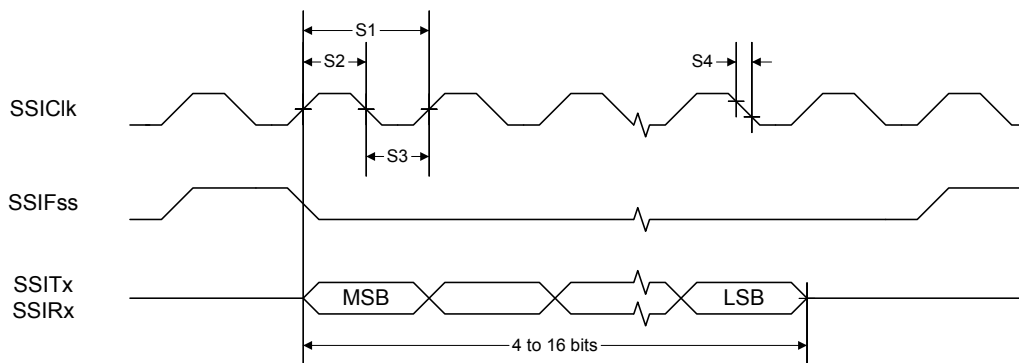


Figure 20-12. SSI Timing for MICROWIRE Frame Format (FRF=10), Single Transfer

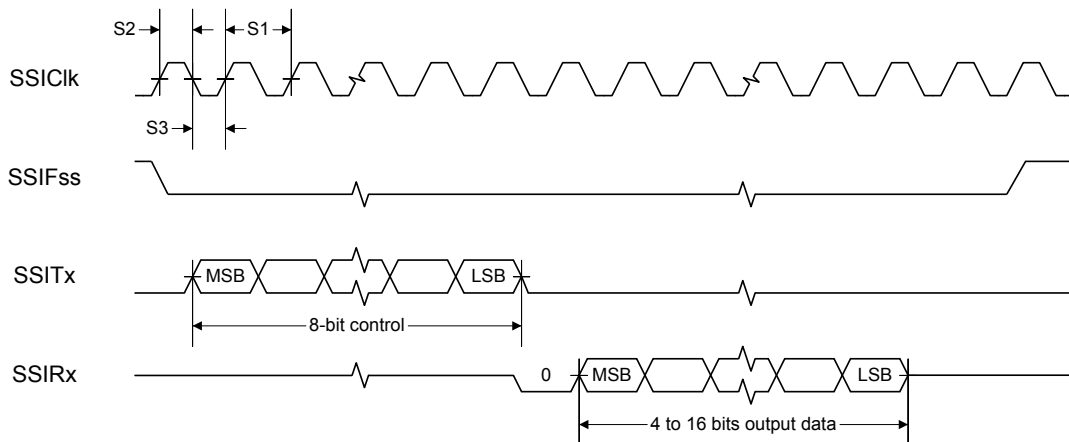
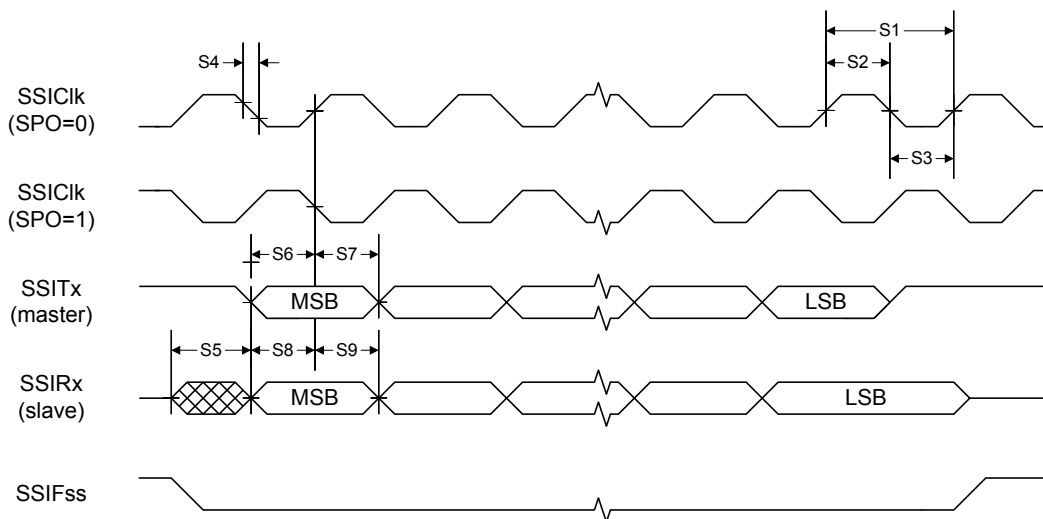


Figure 20-13. SSI Timing for SPI Frame Format (FRF=00), with SPH=1



## 20.2.9 Inter-Integrated Circuit (I<sup>2</sup>C) Interface

Table 20-18. I<sup>2</sup>C Characteristics

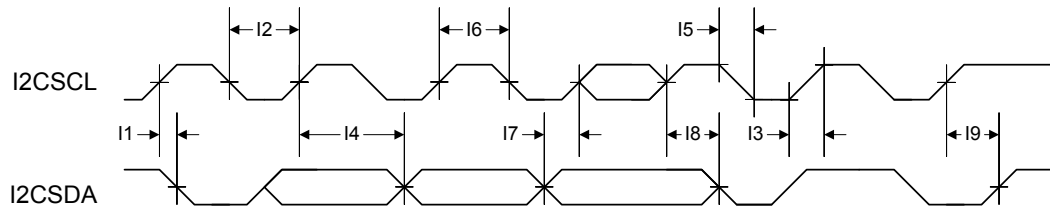
| Parameter No.   | Parameter | Parameter Name   | Min | Nom | Max          | Unit          |
|-----------------|-----------|--|-----|-----|--------------|---------------|
| 11 <sup>a</sup> | $t_{SCH}$ | Start condition hold time  | 36  | -   | -            | system clocks |
| 12 <sup>a</sup> | $t_{LP}$  | Clock Low period   | 36  | -   | -            | system clocks |
| 13 <sup>b</sup> | $t_{SRT}$ | I <sup>2</sup> C SCL/I <sup>2</sup> C SDA rise time ( $V_{IL} = 0.5 V$ to $V_{IH} = 2.4 V$ ) | -   | -   | (see note b) | ns            |

**Table 20-18. I<sup>2</sup>C Characteristics (continued)**

| Parameter No.   | Parameter         | Parameter Name  | Min | Nom | Max | Unit          |
|-----------------|-------------------|---|-----|-----|-----|---------------|
| 14 <sup>a</sup> | t <sub>DH</sub>   | Data hold time  | 2   | -   | -   | system clocks |
| 15 <sup>c</sup> | t <sub>SFT</sub>  | I <sup>2</sup> C <sub>SCL</sub> /I <sup>2</sup> C <sub>SDA</sub> fall time (V <sub>IH</sub> =2.4 V to V <sub>IL</sub> =0.5 V) | -   | 9   | 10  | ns            |
| 16 <sup>a</sup> | t <sub>HT</sub>   | Clock High time   | 24  | -   | -   | system clocks |
| 17 <sup>a</sup> | t <sub>DS</sub>   | Data setup time   | 18  | -   | -   | system clocks |
| 18 <sup>a</sup> | t <sub>SCSR</sub> | Start condition setup time (for repeated start condition only)  | 36  | -   | -   | system clocks |
| 19 <sup>a</sup> | t <sub>SCS</sub>  | Stop condition setup time   | 24  | -   | -   | system clocks |

- a. Values depend on the value programmed into the TPR bit in the I<sup>2</sup>C Master Timer Period (I2CMTPR) register; a TPR programmed for the maximum I<sup>2</sup>C<sub>SCL</sub> frequency (TPR=0x2) results in a minimum output timing as shown in the table above. The I<sup>2</sup>C interface is designed to scale the actual data transition time to move it to the middle of the I<sup>2</sup>C<sub>SCL</sub> Low period. The actual position is affected by the value programmed into the TPR; however, the numbers given in the above values are minimum values.
- b. Because I<sup>2</sup>C<sub>SCL</sub> and I<sup>2</sup>C<sub>SDA</sub> are open-drain-type outputs, which the controller can only actively drive Low, the time I<sup>2</sup>C<sub>SCL</sub> or I<sup>2</sup>C<sub>SDA</sub> takes to reach a high level depends on external signal capacitance and pull-up resistor values.
- c. Specified at a nominal 50 pF load.

**Figure 20-14. I<sup>2</sup>C Timing**



**20.2.10 Ethernet Controller**

**Table 20-19. 100BASE-TX Transmitter Characteristics<sup>a</sup>**

| Parameter Name            | Min | Nom | Max  | Unit |
|---------------------------|-----|-----|------|------|
| Peak output amplitude     | 950 | -   | 1050 | mVpk |
| Output amplitude symmetry | 98  | -   | 102  | %    |
| Output overshoot          | -   | -   | 5    | %    |
| Rise/Fall time            | 3   | -   | 5    | ns   |
| Rise/Fall time imbalance  | -   | -   | 500  | ps   |
| Duty cycle distortion     | -   | -   | -    | ps   |
| Jitter                    | -   | -   | 1.4  | ns   |

- a. Measured at the line side of the transformer.

**Table 20-20. 100BASE-TX Transmitter Characteristics (informative)<sup>a</sup>**

| Parameter Name          | Min | Nom | Max | Unit |
|-------------------------|-----|-----|-----|------|
| Return loss             | 16  | -   | -   | dB   |
| Open-circuit inductance | 350 | -   | -   | μH   |

- a. The specifications in this table are included for information only. They are mainly a function of the external transformer and termination resistors used for measurements.

**Table 20-21. 100BASE-TX Receiver Characteristics**

| Parameter Name                       | Min | Nom | Max  | Unit  |
|--------------------------------------|-----|-----|------|-------|
| Signal detect assertion threshold    | 600 | 700 | -    | mVppd |
| Signal detect de-assertion threshold | 350 | 425 | -    | mVppd |
| Differential input resistance        | -   | 20  | -    | kΩ    |
| Jitter tolerance (pk-pk)             | 4   | -   | -    | ns    |
| Baseline wander tracking             | -75 | -   | +75  | %     |
| Signal detect assertion time         | -   | -   | 1000 | μs    |
| Signal detect de-assertion time      | -   | -   | 4    | μs    |

**Table 20-22. 10BASE-T Transmitter Characteristics<sup>a</sup>**

| Parameter Name                  | Min | Nom        | Max | Unit |
|---------------------------------|-----|------------|-----|------|
| Peak differential output signal | 2.2 | -          | 2.8 | V    |
| Harmonic content                | 27  | -          | -   | dB   |
| Link pulse width                | -   | 100        | -   | ns   |
| Start-of-idle pulse width       | -   | 300<br>350 | -   | ns   |

a. The Manchester-encoded data pulses, the link pulse and the start-of-idle pulse are tested against the templates and using the procedures found in Clause 14 of *IEEE 802.3*.

**Table 20-23. 10BASE-T Transmitter Characteristics (informative)<sup>a</sup>**

| Parameter Name                  | Min            | Nom | Max | Unit |
|---------------------------------|----------------|-----|-----|------|
| Output return loss              | 15             | -   | -   | dB   |
| Output impedance balance        | 29-17log(f/10) | -   | -   | dB   |
| Peak common-mode output voltage | -              | -   | 50  | mV   |
| Common-mode rejection           | -              | -   | 100 | mV   |
| Common-mode rejection jitter    | -              | -   | 1   | ns   |

a. The specifications in this table are included for information only. They are mainly a function of the external transformer and termination resistors used for measurements.

**Table 20-24. 10BASE-T Receiver Characteristics**

| Parameter Name                | Min | Nom               | Max | Unit  |
|-------------------------------|-----|-------------------|-----|-------|
| DLL phase acquisition time    | -   | 10                | -   | BT    |
| Jitter tolerance (pk-pk)      | 30  | -                 | -   | ns    |
| Input squelched threshold     | 500 | 600               | 700 | mVppd |
| Input unsquelched threshold   | 275 | 350               | 425 | mVppd |
| Differential input resistance | -   | 20                | -   | kΩ    |
| Bit error ratio               | -   | 10 <sup>-10</sup> | -   | -     |
| Common-mode rejection         | 25  | -                 | -   | V     |

**Table 20-25. Isolation Transformers<sup>a</sup>**

| Name                    | Value        | Condition       |
|-------------------------|--------------|-----------------|
| Turns ratio             | 1 CT : 1 CT  | +/- 5%          |
| Open-circuit inductance | 350 μH (min) | @ 10 mV, 10 kHz |

**Table 20-25. Isolation Transformers (continued)**

| Name                      | Value         | Condition        |
|---------------------------|---------------|------------------|
| Leakage inductance        | 0.40 uH (max) | @ 1 MHz (min)    |
| Inter-winding capacitance | 25 pF (max)   |                  |
| DC resistance             | 0.9 Ohm (max) |                  |
| Insertion loss            | 0.4 dB (typ)  | 0-65 MHz         |
| HIPOT                     | 1500          | V <sub>rms</sub> |

a. Two simple 1:1 isolation transformers are required at the line interface. Transformers with integrated common-mode chokes are recommended for exceeding FCC requirements. This table gives the recommended line transformer characteristics.

**Note:** The 100Base-TX amplitude specifications assume a transformer loss of 0.4 dB. For the transmit line transformer with higher insertion losses, up to 1.2 dB of insertion loss can be compensated by selecting the appropriate setting in the Transmit Amplitude Selection (TXO) bits in the **MR19** register.

**Table 20-26. Ethernet Reference Crystal<sup>a</sup>**

| Name  | Value                                | Condition |
|---|--------------------------------------|-----------|
| Frequency                                       | 25.00000                             | MHz       |
| Frequency tolerance                             | ±50                                  | PPM       |
| Aging   | ±2                                   | PPM/yr    |
| Temperature stability (-40° to 85°)             | ±5                                   | PPM       |
| Temperature stability (-40° to 105°)            | ±5                                   | PPM       |
| Oscillation mode                                | Parallel resonance, fundamental mode |           |
| Parameters at 25° C ±2° C; Drive level = 0.5 mW |                                      |           |
| Drive level (typ)                               | 50-100                               | μW        |
| Shunt capacitance (max)                         | 10                                   | pF        |
| Motional capacitance (min)                      | 10                                   | fF        |
| Series resistance (max)                         | 60                                   | Ω         |
| Spurious response (max)                         | > 5 dB below main within 500 kHz     |           |

a. If the internal crystal oscillator is used, select a crystal that meets these specifications.

Figure 20-15. External XTLP Oscillator Characteristics

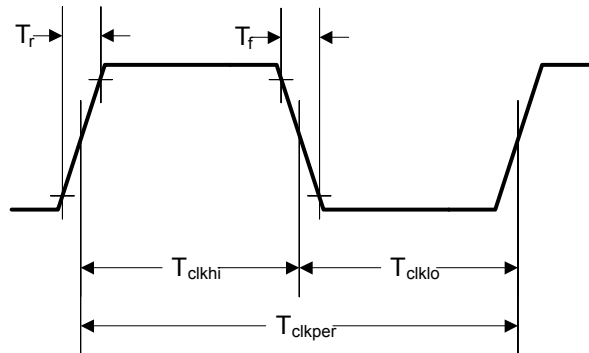


Table 20-27. External XTLP Oscillator Characteristics

| Parameter Name              | Symbol       | Min | Nom  | Max | Unit |
|-----------------------------|--------------|-----|------|-----|------|
| XTLN Input Low Voltage      | $XTLN_{ILV}$ | -   | -    | 0.8 | -    |
| XTLP Frequency <sup>a</sup> | $XTLP_f$     | -   | 25.0 | -   | -    |
| XTLP Period <sup>b</sup>    | $T_{clkper}$ | -   | 40   | -   | -    |
| XTLP Duty Cycle             | $XTLP_{DC}$  | 40  | -    | 60  | %    |
| Rise/Fall Time              | $T_r, T_f$   | -   | -    | 4.0 | ns   |
| Absolute Jitter             | $T_{JITTER}$ | -   | -    | 0.1 | ns   |

a. IEEE 802.3 frequency tolerance  $\pm 50$  ppm.

b. IEEE 802.3 frequency tolerance  $\pm 50$  ppm.

## 20.2.11 Analog Comparator

Table 20-28. Analog Comparator Characteristics

| Parameter | Parameter Name                         | Min | Nom      | Max          | Unit    |
|-----------|--|-----|----------|--------------|---------|
| $V_{OS}$  | Input offset voltage                   | -   | $\pm 10$ | $\pm 25$     | mV      |
| $V_{CM}$  | Input common mode voltage range        | 0   | -        | $V_{DD}-1.5$ | V       |
| $C_{MRR}$ | Common mode rejection ratio            | 50  | -        | -            | dB      |
| $T_{RT}$  | Response time                          | -   | -        | 1            | $\mu s$ |
| $T_{MC}$  | Comparator mode change to Output Valid | -   | -        | 10           | $\mu s$ |

Table 20-29. Analog Comparator Voltage Reference Characteristics

| Parameter | Parameter Name               | Min | Nom         | Max       | Unit |
|-----------|------------------------------|-----|-------------|-----------|------|
| $R_{HR}$  | Resolution high range        | -   | $V_{DD}/31$ | -         | LSB  |
| $R_{LR}$  | Resolution low range         | -   | $V_{DD}/23$ | -         | LSB  |
| $A_{HR}$  | Absolute accuracy high range | -   | -           | $\pm 1/2$ | LSB  |
| $A_{LR}$  | Absolute accuracy low range  | -   | -           | $\pm 1/4$ | LSB  |

## A Serial Flash Loader

### A.1 Serial Flash Loader

The Stellaris<sup>®</sup> serial flash loader is a preprogrammed flash-resident utility used to download code to the flash memory of a device without the use of a debug interface. The serial flash loader uses a simple packet interface to provide synchronous communication with the device. The flash loader runs off the crystal and does not enable the PLL, so its speed is determined by the crystal used. The two serial interfaces that can be used are the UART0 and SSI0 interfaces. For simplicity, both the data format and communication protocol are identical for both serial interfaces.

### A.2 Interfaces

Once communication with the flash loader is established via one of the serial interfaces, that interface is used until the flash loader is reset or new code takes over. For example, once you start communicating using the SSI port, communications with the flash loader via the UART are disabled until the device is reset.

#### A.2.1 UART

The Universal Asynchronous Receivers/Transmitters (UART) communication uses a fixed serial format of 8 bits of data, no parity, and 1 stop bit. The baud rate used for communication is automatically detected by the flash loader and can be any valid baud rate supported by the host and the device. The auto detection sequence requires that the baud rate should be no more than 1/32 the crystal frequency of the board that is running the serial flash loader. This is actually the same as the hardware limitation for the maximum baud rate for any UART on a Stellaris<sup>®</sup> device which is calculated as follows:

$$\text{Max Baud Rate} = \text{System Clock Frequency} / 16$$

In order to determine the baud rate, the serial flash loader needs to determine the relationship between its own crystal frequency and the baud rate. This is enough information for the flash loader to configure its UART to the same baud rate as the host. This automatic baud-rate detection allows the host to use any valid baud rate that it wants to communicate with the device.

The method used to perform this automatic synchronization relies on the host sending the flash loader two bytes that are both 0x55. This generates a series of pulses to the flash loader that it can use to calculate the ratios needed to program the UART to match the host's baud rate. After the host sends the pattern, it attempts to read back one byte of data from the UART. The flash loader returns the value of 0xCC to indicate successful detection of the baud rate. If this byte is not received after at least twice the time required to transfer the two bytes, the host can resend another pattern of 0x55, 0x55, and wait for the 0xCC byte again until the flash loader acknowledges that it has received a synchronization pattern correctly. For example, the time to wait for data back from the flash loader should be calculated as at least  $2 \times (20 \text{ (bits/sync)} / \text{baud rate (bits/sec)})$ . For a baud rate of 115200, this time is  $2 \times (20 / 115200)$  or 0.35 ms.

#### A.2.2 SSI

The Synchronous Serial Interface (SSI) port also uses a fixed serial format for communications, with the framing defined as Motorola format with SPH set to 1 and SPO set to 1. See "Frame Formats" on page 314 in the SSI chapter for more information on formats for this transfer protocol. Like the UART, this interface has hardware requirements that limit the maximum speed that the SSI clock can run. This allows the SSI clock to be at most 1/12 the crystal frequency of the board running



the flash loader. Since the host device is the master, the SSI on the flash loader device does not need to determine the clock as it is provided directly by the host.

## A.3 Packet Handling

All communications, with the exception of the UART auto-baud, are done via defined packets that are acknowledged (ACK) or not acknowledged (NAK) by the devices. The packets use the same format for receiving and sending packets, including the method used to acknowledge successful or unsuccessful reception of a packet.

### A.3.1 Packet Format

All packets sent and received from the device use the following byte-packed format.

```
struct
{
  unsigned char ucSize;
  unsigned char ucChecksum;
  unsigned char Data[];
};
```

|            |   |
|------------|---|
| ucSize     | The first byte received holds the total size of the transfer including the size and checksum bytes.   |
| ucChecksum | This holds a simple checksum of the bytes in the data buffer only. The algorithm is $Data[0]+Data[1]+\dots+Data[ucSize-3]$ .  |
| Data       | This is the raw data intended for the device, which is formatted in some form of command interface. There should be $ucSize-2$ bytes of data provided in this buffer to or from the device. |

### A.3.2 Sending Packets

The actual bytes of the packet can be sent individually or all at once; the only limitation is that commands that cause flash memory access should limit the download sizes to prevent losing bytes during flash programming. This limitation is discussed further in the section that describes the serial flash loader command, `COMMAND_SEND_DATA` (see “`COMMAND_SEND_DATA (0x24)`” on page 491).

Once the packet has been formatted correctly by the host, it should be sent out over the UART or SSI interface. Then the host should poll the UART or SSI interface for the first non-zero data returned from the device. The first non-zero byte will either be an ACK (0xCC) or a NAK (0x33) byte from the device indicating the packet was received successfully (ACK) or unsuccessfully (NAK). This does not indicate that the actual contents of the command issued in the data portion of the packet were valid, just that the packet was received correctly.

### A.3.3 Receiving Packets

The flash loader sends a packet of data in the same format that it receives a packet. The flash loader may transfer leading zero data before the first actual byte of data is sent out. The first non-zero byte is the size of the packet followed by a checksum byte, and finally followed by the data itself. There is no break in the data after the first non-zero byte is sent from the flash loader. Once the device communicating with the flash loader receives all the bytes, it must either ACK or NAK the packet to indicate that the transmission was successful. The appropriate response after sending a NAK to the flash loader is to resend the command that failed and request the data again. If needed, the host may send leading zeros before sending down the ACK/NAK signal to the flash loader, as the

flash loader only accepts the first non-zero data as a valid response. This zero padding is needed by the SSI interface in order to receive data to or from the flash loader.

## A.4 Commands

The next section defines the list of commands that can be sent to the flash loader. The first byte of the data should always be one of the defined commands, followed by data or parameters as determined by the command that is sent.

### A.4.1 COMMAND\_PING (0x20)

This command simply accepts the command and sets the global status to success. The format of the packet is as follows:

```
Byte[0] = 0x03;  
Byte[1] = checksum(Byte[2]);  
Byte[2] = COMMAND_PING;
```

The ping command has 3 bytes and the value for `COMMAND_PING` is 0x20 and the checksum of one byte is that same byte, making `Byte[1]` also 0x20. Since the ping command has no real return status, the receipt of an ACK can be interpreted as a successful ping to the flash loader.

### A.4.2 COMMAND\_GET\_STATUS (0x23)

This command returns the status of the last command that was issued. Typically, this command should be sent after every command to ensure that the previous command was successful or to properly respond to a failure. The command requires one byte in the data of the packet and should be followed by reading a packet with one byte of data that contains a status code. The last step is to ACK or NAK the received data so the flash loader knows that the data has been read.

```
Byte[0] = 0x03  
Byte[1] = checksum(Byte[2])  
Byte[2] = COMMAND_GET_STATUS
```

### A.4.3 COMMAND\_DOWNLOAD (0x21)

This command is sent to the flash loader to indicate where to store data and how many bytes will be sent by the `COMMAND_SEND_DATA` commands that follow. The command consists of two 32-bit values that are both transferred MSB first. The first 32-bit value is the address to start programming data into, while the second is the 32-bit size of the data that will be sent. This command also triggers an erase of the full area to be programmed so this command takes longer than other commands. This results in a longer time to receive the ACK/NAK back from the board. This command should be followed by a `COMMAND_GET_STATUS` to ensure that the Program Address and Program size are valid for the device running the flash loader.

The format of the packet to send this command is a follows:

```
Byte[0] = 11  
Byte[1] = checksum(Bytes[2:10])  
Byte[2] = COMMAND_DOWNLOAD  
Byte[3] = Program Address [31:24]  
Byte[4] = Program Address [23:16]  
Byte[5] = Program Address [15:8]  
Byte[6] = Program Address [7:0]  
Byte[7] = Program Size [31:24]
```

```

Byte[8] = Program Size [23:16]
Byte[9] = Program Size [15:8]
Byte[10] = Program Size [7:0]

```

#### A.4.4 **COMMAND\_SEND\_DATA (0x24)**

This command should only follow a `COMMAND_DOWNLOAD` command or another `COMMAND_SEND_DATA` command if more data is needed. Consecutive send data commands automatically increment address and continue programming from the previous location. The caller should limit transfers of data to a maximum 8 bytes of packet data to allow the flash to program successfully and not overflow input buffers of the serial interfaces. The command terminates programming once the number of bytes indicated by the `COMMAND_DOWNLOAD` command has been received. Each time this function is called it should be followed by a `COMMAND_GET_STATUS` to ensure that the data was successfully programmed into the flash. If the flash loader sends a NAK to this command, the flash loader does not increment the current address to allow retransmission of the previous data.

```

Byte[0] = 11
Byte[1] = checksum(Bytes[2:10])
Byte[2] = COMMAND_SEND_DATA
Byte[3] = Data[0]
Byte[4] = Data[1]
Byte[5] = Data[2]
Byte[6] = Data[3]
Byte[7] = Data[4]
Byte[8] = Data[5]
Byte[9] = Data[6]
Byte[10] = Data[7]

```

#### A.4.5 **COMMAND\_RUN (0x22)**

This command is used to tell the flash loader to execute from the address passed as the parameter in this command. This command consists of a single 32-bit value that is interpreted as the address to execute. The 32-bit value is transmitted MSB first and the flash loader responds with an ACK signal back to the host device before actually executing the code at the given address. This allows the host to know that the command was received successfully and the code is now running.

```

Byte[0] = 7
Byte[1] = checksum(Bytes[2:6])
Byte[2] = COMMAND_RUN
Byte[3] = Execute Address[31:24]
Byte[4] = Execute Address[23:16]
Byte[5] = Execute Address[15:8]
Byte[6] = Execute Address[7:0]

```

#### A.4.6 **COMMAND\_RESET (0x25)**

This command is used to tell the flash loader device to reset. This is useful when downloading a new image that overwrote the flash loader and wants to start from a full reset. Unlike the `COMMAND_RUN` command, this allows the initial stack pointer to be read by the hardware and set up for the new code. It can also be used to reset the flash loader if a critical error occurs and the host device wants to restart communication with the flash loader.

```
Byte[0] = 3  
Byte[1] = checksum(Byte[2])  
Byte[2] = COMMAND_RESET
```

The flash loader responds with an ACK signal back to the host device before actually executing the software reset to the device running the flash loader. This allows the host to know that the command was received successfully and the part will be reset.

## B Register Quick Reference

|   |    |      |    |         |        |       |    |          |        |         |    |        |         |        |         |         |  |
|---|----|------|----|---------|--------|-------|----|----------|--------|---------|----|--------|---------|--------|---------|---------|--|
| 31  | 30 | 29   | 28 | 27      | 26     | 25    | 24 | 23       | 22     | 21      | 20 | 19     | 18      | 17     | 16      |         |  |
| 15  | 14 | 13   | 12 | 11      | 10     | 9     | 8  | 7        | 6      | 5       | 4  | 3      | 2       | 1      | 0       |         |  |
| <b>System Control</b>                                       |    |      |    |         |        |       |    |          |        |         |    |        |         |        |         |         |  |
| Base 0x400F.E000  |    |      |    |         |        |       |    |          |        |         |    |        |         |        |         |         |  |
| <b>DID0, type RO, offset 0x000, reset -</b>                 |    |      |    |         |        |       |    |          |        |         |    |        |         |        |         |         |  |
| VER   |    |      |    |         |        |       |    | CLASS    |        |         |    |        |         |        |         |         |  |
| MAJOR   |    |      |    |         |        |       |    | MINOR    |        |         |    |        |         |        |         |         |  |
| <b>PBORCTL, type R/W, offset 0x030, reset 0x0000.7FFD</b>   |    |      |    |         |        |       |    |          |        |         |    |        |         |        |         |         |  |
| BORIOR  |    |      |    |         |        |       |    |          |        |         |    |        |         |        |         |         |  |
| <b>LDOCTL, type R/W, offset 0x034, reset 0x0000.0000</b>    |    |      |    |         |        |       |    |          |        |         |    |        |         |        |         |         |  |
| VADJ  |    |      |    |         |        |       |    |          |        |         |    |        |         |        |         |         |  |
| <b>RIS, type RO, offset 0x050, reset 0x0000.0000</b>        |    |      |    |         |        |       |    |          |        |         |    |        |         |        |         |         |  |
| PLLRIS  |    |      |    |         |        |       |    | BORRIS   |        |         |    |        |         |        |         |         |  |
| <b>IMC, type R/W, offset 0x054, reset 0x0000.0000</b>       |    |      |    |         |        |       |    |          |        |         |    |        |         |        |         |         |  |
| PLLLIM  |    |      |    |         |        |       |    | BORIM    |        |         |    |        |         |        |         |         |  |
| <b>MISC, type R/W1C, offset 0x058, reset 0x0000.0000</b>    |    |      |    |         |        |       |    |          |        |         |    |        |         |        |         |         |  |
| PLLLMIS   |    |      |    |         |        |       |    | BORMIS   |        |         |    |        |         |        |         |         |  |
| <b>RESC, type R/W, offset 0x05C, reset -</b>                |    |      |    |         |        |       |    |          |        |         |    |        |         |        |         |         |  |
|   |    |      |    |         |        |       |    |          |        |         |    | SW     | WDT     | BOR    | POR     | EXT     |  |
| <b>RCC, type R/W, offset 0x060, reset 0x0780.3AD1</b>       |    |      |    |         |        |       |    |          |        |         |    |        |         |        |         |         |  |
| PWRDN   |    |      |    | ACG     | SYSDIV |       |    |          | USESYS |         |    |        |         |        |         |         |  |
|   |    |      |    | BYPASS  | XTAL   |       |    |          | OSCSRC |         |    |        | IOSCDIS |        | MOSCDIS |         |  |
| <b>PLLCFG, type RO, offset 0x064, reset -</b>               |    |      |    |         |        |       |    |          |        |         |    |        |         |        |         |         |  |
| F   |    |      |    |         |        |       |    | R        |        |         |    |        |         |        |         |         |  |
| <b>RCC2, type R/W, offset 0x070, reset 0x0780.2810</b>      |    |      |    |         |        |       |    |          |        |         |    |        |         |        |         |         |  |
| USERCC2   |    |      |    | SYSDIV2 |        |       |    |          |        |         |    |        |         |        |         |         |  |
| PWRDN2  |    |      |    | BYPASS2 |        |       |    | OSCSRC2  |        |         |    |        |         |        |         |         |  |
| <b>DSLCLKCFG, type R/W, offset 0x144, reset 0x0780.0000</b> |    |      |    |         |        |       |    |          |        |         |    |        |         |        |         |         |  |
| DSDIVORIDE  |    |      |    |         |        |       |    | DSOSCSRC |        |         |    |        |         |        |         |         |  |
| <b>DID1, type RO, offset 0x004, reset -</b>                 |    |      |    |         |        |       |    |          |        |         |    |        |         |        |         |         |  |
| VER   |    |      |    | FAM     |        |       |    | PARTNO   |        |         |    |        |         |        |         |         |  |
| PINCOUNT  |    |      |    |         |        |       |    | TEMP     |        |         |    | PKG    |         | ROHS   |         | QUAL    |  |
| <b>DC0, type RO, offset 0x008, reset 0x00FF.007F</b>        |    |      |    |         |        |       |    |          |        |         |    |        |         |        |         |         |  |
| SRAMSZ  |    |      |    |         |        |       |    |          |        |         |    |        |         |        |         |         |  |
| FLASHSZ   |    |      |    |         |        |       |    |          |        |         |    |        |         |        |         |         |  |
| <b>DC1, type RO, offset 0x010, reset 0x0000.30DF</b>        |    |      |    |         |        |       |    |          |        |         |    |        |         |        |         |         |  |
| MINSYS  |    |      |    |         |        |       |    | MPU      | HIB    | PLL     |    | WDT    | SWO     | SWD    | JTAG    |         |  |
| <b>DC2, type RO, offset 0x014, reset 0x030F.5037</b>        |    |      |    |         |        |       |    |          |        |         |    |        |         |        |         |         |  |
| I2C1  |    | I2C0 |    | COMP1   |        | COMP0 |    | SSI1     |        | SSI0    |    | TIMER3 | TIMER2  | TIMER1 | TIMER0  |         |  |
|   |    |      |    |         |        |       |    |          |        |         |    | UART2  |         | UART1  |         | UART0   |  |
| <b>DC3, type RO, offset 0x018, reset 0xBF00.0FC0</b>        |    |      |    |         |        |       |    |          |        |         |    |        |         |        |         |         |  |
| 32KHZ   |    | CCP5 |    | CCP4    |        | CCP3  |    | CCP2     |        | CCP1    |    | CCP0   |         |        |         |         |  |
|   |    |      |    |         |        | C10   |    | C1PLUS   |        | C1MINUS |    | C00    |         | C0PLUS |         | C0MINUS |  |



|  |    |    |    |    |    |    |    |        |         |          |        |        |        |         |         |
|--|----|----|----|----|----|----|----|--------|---------|----------|--------|--------|--------|---------|---------|
| 31   | 30 | 29 | 28 | 27 | 26 | 25 | 24 | 23     | 22      | 21       | 20     | 19     | 18     | 17      | 16      |
| 15   | 14 | 13 | 12 | 11 | 10 | 9  | 8  | 7      | 6       | 5        | 4      | 3      | 2      | 1       | 0       |
| <b>HIBCTL, type R/W, offset 0x010, reset 0x8000.0000</b>           |    |    |    |    |    |    |    |        |         |          |        |        |        |         |         |
|  |    |    |    |    |    |    |    | VABORT | CLK32EN | LOWBATEN | PINWEN | RTCWEN | CLKSEL | HIBREQ  | RTCEN   |
| <b>HIBIM, type R/W, offset 0x014, reset 0x0000.0000</b>            |    |    |    |    |    |    |    |        |         |          |        |        |        |         |         |
|  |    |    |    |    |    |    |    |        |         |          |        | EXTW   | LOWBAT | RTCALT1 | RTCALT0 |
| <b>HIBRIS, type RO, offset 0x018, reset 0x0000.0000</b>            |    |    |    |    |    |    |    |        |         |          |        |        |        |         |         |
|  |    |    |    |    |    |    |    |        |         |          |        | EXTW   | LOWBAT | RTCALT1 | RTCALT0 |
| <b>HIBMIS, type RO, offset 0x01C, reset 0x0000.0000</b>            |    |    |    |    |    |    |    |        |         |          |        |        |        |         |         |
|  |    |    |    |    |    |    |    |        |         |          |        | EXTW   | LOWBAT | RTCALT1 | RTCALT0 |
| <b>HIBIC, type R/W1C, offset 0x020, reset 0x0000.0000</b>          |    |    |    |    |    |    |    |        |         |          |        |        |        |         |         |
|  |    |    |    |    |    |    |    |        |         |          |        | EXTW   | LOWBAT | RTCALT1 | RTCALT0 |
| <b>HIBRTCT, type R/W, offset 0x024, reset 0x0000.7FFF</b>          |    |    |    |    |    |    |    |        |         |          |        |        |        |         |         |
| TRIM   |    |    |    |    |    |    |    |        |         |          |        |        |        |         |         |
| <b>HIBDATA, type R/W, offset 0x030-0x12C, reset -</b>              |    |    |    |    |    |    |    |        |         |          |        |        |        |         |         |
| RTD  |    |    |    |    |    |    |    |        |         |          |        |        |        |         |         |
| RTD  |    |    |    |    |    |    |    |        |         |          |        |        |        |         |         |
| <b>Internal Memory</b>   |    |    |    |    |    |    |    |        |         |          |        |        |        |         |         |
| <b>Flash Memory Control Registers (Flash Control Offset)</b>       |    |    |    |    |    |    |    |        |         |          |        |        |        |         |         |
| Base 0x400F.D000   |    |    |    |    |    |    |    |        |         |          |        |        |        |         |         |
| <b>FMA, type R/W, offset 0x000, reset 0x0000.0000</b>              |    |    |    |    |    |    |    |        |         |          |        |        |        |         |         |
|  |    |    |    |    |    |    |    |        |         |          |        |        |        | OFFSET  |         |
| OFFSET   |    |    |    |    |    |    |    |        |         |          |        |        |        |         |         |
| <b>FMD, type R/W, offset 0x004, reset 0x0000.0000</b>              |    |    |    |    |    |    |    |        |         |          |        |        |        |         |         |
| DATA   |    |    |    |    |    |    |    |        |         |          |        |        |        |         |         |
| DATA   |    |    |    |    |    |    |    |        |         |          |        |        |        |         |         |
| <b>FMC, type R/W, offset 0x008, reset 0x0000.0000</b>              |    |    |    |    |    |    |    |        |         |          |        |        |        |         |         |
| WRKEY  |    |    |    |    |    |    |    |        |         |          |        |        |        |         |         |
|  |    |    |    |    |    |    |    |        |         |          |        | COMT   | MERASE | ERASE   | WRITE   |
| <b>FCRIS, type RO, offset 0x00C, reset 0x0000.0000</b>             |    |    |    |    |    |    |    |        |         |          |        |        |        |         |         |
|  |    |    |    |    |    |    |    |        |         |          |        |        |        | PRIS    | ARIS    |
| <b>FCIM, type R/W, offset 0x010, reset 0x0000.0000</b>             |    |    |    |    |    |    |    |        |         |          |        |        |        |         |         |
|  |    |    |    |    |    |    |    |        |         |          |        |        |        | PMASK   | AMASK   |
| <b>FCMISC, type R/W1C, offset 0x014, reset 0x0000.0000</b>         |    |    |    |    |    |    |    |        |         |          |        |        |        |         |         |
|  |    |    |    |    |    |    |    |        |         |          |        |        |        | PMISC   | AMISC   |
| <b>Internal Memory</b>   |    |    |    |    |    |    |    |        |         |          |        |        |        |         |         |
| <b>Flash Memory Protection Registers (System Control Offset)</b>   |    |    |    |    |    |    |    |        |         |          |        |        |        |         |         |
| Base 0x400F.E000   |    |    |    |    |    |    |    |        |         |          |        |        |        |         |         |
| <b>USEACL, type R/W, offset 0x140, reset 0x31</b>                  |    |    |    |    |    |    |    |        |         |          |        |        |        |         |         |
|  |    |    |    |    |    |    |    |        |         |          |        |        |        | USEC    |         |
| <b>FMPRE0, type R/W, offset 0x130 and 0x200, reset 0xFFFF.FFFF</b> |    |    |    |    |    |    |    |        |         |          |        |        |        |         |         |
| READ_ENABLE  |    |    |    |    |    |    |    |        |         |          |        |        |        |         |         |
| READ_ENABLE  |    |    |    |    |    |    |    |        |         |          |        |        |        |         |         |

|  |    |    |    |      |    |    |    |    |    |    |    |      |    |    |    |      |  |
|--|----|----|----|------|----|----|----|----|----|----|----|------|----|----|----|------|--|
| 31   | 30 | 29 | 28 | 27   | 26 | 25 | 24 | 23 | 22 | 21 | 20 | 19   | 18 | 17 | 16 |      |  |
| 15   | 14 | 13 | 12 | 11   | 10 | 9  | 8  | 7  | 6  | 5  | 4  | 3    | 2  | 1  | 0  |      |  |
| <b>FMPPE0, type R/W, offset 0x134 and 0x400, reset 0xFFFF.FFFF</b> |    |    |    |      |    |    |    |    |    |    |    |      |    |    |    |      |  |
| PROG_ENABLE  |    |    |    |      |    |    |    |    |    |    |    |      |    |    |    |      |  |
| PROG_ENABLE  |    |    |    |      |    |    |    |    |    |    |    |      |    |    |    |      |  |
| <b>USER_DBG, type R/W, offset 0x1D0, reset 0xFFFF.FFFE</b>         |    |    |    |      |    |    |    |    |    |    |    |      |    |    |    |      |  |
| NW   |    |    |    | DATA |    |    |    |    |    |    |    | DBG1 |    |    |    | DBG0 |  |
| DATA   |    |    |    |      |    |    |    |    |    |    |    |      |    |    |    |      |  |
| <b>USER_REG0, type R/W, offset 0x1E0, reset 0xFFFF.FFFF</b>        |    |    |    |      |    |    |    |    |    |    |    |      |    |    |    |      |  |
| NW   |    |    |    | DATA |    |    |    |    |    |    |    |      |    |    |    |      |  |
| DATA   |    |    |    |      |    |    |    |    |    |    |    |      |    |    |    |      |  |
| <b>USER_REG1, type R/W, offset 0x1E4, reset 0xFFFF.FFFF</b>        |    |    |    |      |    |    |    |    |    |    |    |      |    |    |    |      |  |
| NW   |    |    |    | DATA |    |    |    |    |    |    |    |      |    |    |    |      |  |
| DATA   |    |    |    |      |    |    |    |    |    |    |    |      |    |    |    |      |  |
| <b>FMPRE1, type R/W, offset 0x204, reset 0xFFFF.FFFF</b>           |    |    |    |      |    |    |    |    |    |    |    |      |    |    |    |      |  |
| READ_ENABLE  |    |    |    |      |    |    |    |    |    |    |    |      |    |    |    |      |  |
| READ_ENABLE  |    |    |    |      |    |    |    |    |    |    |    |      |    |    |    |      |  |
| <b>FMPRE2, type R/W, offset 0x208, reset 0xFFFF.FFFF</b>           |    |    |    |      |    |    |    |    |    |    |    |      |    |    |    |      |  |
| READ_ENABLE  |    |    |    |      |    |    |    |    |    |    |    |      |    |    |    |      |  |
| READ_ENABLE  |    |    |    |      |    |    |    |    |    |    |    |      |    |    |    |      |  |
| <b>FMPRE3, type R/W, offset 0x20C, reset 0xFFFF.FFFF</b>           |    |    |    |      |    |    |    |    |    |    |    |      |    |    |    |      |  |
| READ_ENABLE  |    |    |    |      |    |    |    |    |    |    |    |      |    |    |    |      |  |
| READ_ENABLE  |    |    |    |      |    |    |    |    |    |    |    |      |    |    |    |      |  |
| <b>FMPPE1, type R/W, offset 0x404, reset 0xFFFF.FFFF</b>           |    |    |    |      |    |    |    |    |    |    |    |      |    |    |    |      |  |
| PROG_ENABLE  |    |    |    |      |    |    |    |    |    |    |    |      |    |    |    |      |  |
| PROG_ENABLE  |    |    |    |      |    |    |    |    |    |    |    |      |    |    |    |      |  |
| <b>FMPPE2, type R/W, offset 0x408, reset 0xFFFF.FFFF</b>           |    |    |    |      |    |    |    |    |    |    |    |      |    |    |    |      |  |
| PROG_ENABLE  |    |    |    |      |    |    |    |    |    |    |    |      |    |    |    |      |  |
| PROG_ENABLE  |    |    |    |      |    |    |    |    |    |    |    |      |    |    |    |      |  |
| <b>FMPPE3, type R/W, offset 0x40C, reset 0xFFFF.FFFF</b>           |    |    |    |      |    |    |    |    |    |    |    |      |    |    |    |      |  |
| PROG_ENABLE  |    |    |    |      |    |    |    |    |    |    |    |      |    |    |    |      |  |
| PROG_ENABLE  |    |    |    |      |    |    |    |    |    |    |    |      |    |    |    |      |  |
| <b>General-Purpose Input/Outputs (GPIOs)</b>                       |    |    |    |      |    |    |    |    |    |    |    |      |    |    |    |      |  |
| GPIO Port A base: 0x4000.4000                                      |    |    |    |      |    |    |    |    |    |    |    |      |    |    |    |      |  |
| GPIO Port B base: 0x4000.5000                                      |    |    |    |      |    |    |    |    |    |    |    |      |    |    |    |      |  |
| GPIO Port C base: 0x4000.6000                                      |    |    |    |      |    |    |    |    |    |    |    |      |    |    |    |      |  |
| GPIO Port D base: 0x4000.7000                                      |    |    |    |      |    |    |    |    |    |    |    |      |    |    |    |      |  |
| GPIO Port E base: 0x4002.4000                                      |    |    |    |      |    |    |    |    |    |    |    |      |    |    |    |      |  |
| GPIO Port F base: 0x4002.5000                                      |    |    |    |      |    |    |    |    |    |    |    |      |    |    |    |      |  |
| GPIO Port G base: 0x4002.6000                                      |    |    |    |      |    |    |    |    |    |    |    |      |    |    |    |      |  |
| GPIO Port H base: 0x4002.7000                                      |    |    |    |      |    |    |    |    |    |    |    |      |    |    |    |      |  |
| <b>GPIODATA, type R/W, offset 0x000, reset 0x0000.0000</b>         |    |    |    |      |    |    |    |    |    |    |    |      |    |    |    |      |  |
| DATA   |    |    |    |      |    |    |    |    |    |    |    |      |    |    |    |      |  |
| <b>GPIODIR, type R/W, offset 0x400, reset 0x0000.0000</b>          |    |    |    |      |    |    |    |    |    |    |    |      |    |    |    |      |  |
| DIR  |    |    |    |      |    |    |    |    |    |    |    |      |    |    |    |      |  |
| <b>GPIOIS, type R/W, offset 0x404, reset 0x0000.0000</b>           |    |    |    |      |    |    |    |    |    |    |    |      |    |    |    |      |  |
| IS   |    |    |    |      |    |    |    |    |    |    |    |      |    |    |    |      |  |
| <b>GPIOIBE, type R/W, offset 0x408, reset 0x0000.0000</b>          |    |    |    |      |    |    |    |    |    |    |    |      |    |    |    |      |  |
| IBE  |    |    |    |      |    |    |    |    |    |    |    |      |    |    |    |      |  |
| <b>GPIOIEV, type R/W, offset 0x40C, reset 0x0000.0000</b>          |    |    |    |      |    |    |    |    |    |    |    |      |    |    |    |      |  |
| IEV  |    |    |    |      |    |    |    |    |    |    |    |      |    |    |    |      |  |



| 31  | 30 | 29 | 28 | 27 | 26 | 25 | 24 | 23 | 22 | 21 | 20 | 19 | 18 | 17 | 16 |
|---|----|----|----|----|----|----|----|----|----|----|----|----|----|----|----|
| 15  | 14 | 13 | 12 | 11 | 10 | 9  | 8  | 7  | 6  | 5  | 4  | 3  | 2  | 1  | 0  |
| GPIOIM, type R/W, offset 0x410, reset 0x0000.0000       |    |    |    |    |    |    |    |    |    |    |    |    |    |    |    |
|   |    |    |    |    |    |    |    |    |    |    |    |    |    |    |    |
| GPIORIS, type RO, offset 0x414, reset 0x0000.0000       |    |    |    |    |    |    |    |    |    |    |    |    |    |    |    |
|   |    |    |    |    |    |    |    |    |    |    |    |    |    |    |    |
| GPIOMIS, type RO, offset 0x418, reset 0x0000.0000       |    |    |    |    |    |    |    |    |    |    |    |    |    |    |    |
|   |    |    |    |    |    |    |    |    |    |    |    |    |    |    |    |
| GPIOICR, type W1C, offset 0x41C, reset 0x0000.0000      |    |    |    |    |    |    |    |    |    |    |    |    |    |    |    |
|   |    |    |    |    |    |    |    |    |    |    |    |    |    |    |    |
| GPIOAFSEL, type R/W, offset 0x420, reset -              |    |    |    |    |    |    |    |    |    |    |    |    |    |    |    |
|   |    |    |    |    |    |    |    |    |    |    |    |    |    |    |    |
| GPIODR2R, type R/W, offset 0x500, reset 0x0000.00FF     |    |    |    |    |    |    |    |    |    |    |    |    |    |    |    |
|   |    |    |    |    |    |    |    |    |    |    |    |    |    |    |    |
| GPIODR4R, type R/W, offset 0x504, reset 0x0000.0000     |    |    |    |    |    |    |    |    |    |    |    |    |    |    |    |
|   |    |    |    |    |    |    |    |    |    |    |    |    |    |    |    |
| GPIODR8R, type R/W, offset 0x508, reset 0x0000.0000     |    |    |    |    |    |    |    |    |    |    |    |    |    |    |    |
|   |    |    |    |    |    |    |    |    |    |    |    |    |    |    |    |
| GPIODR, type R/W, offset 0x50C, reset 0x0000.0000       |    |    |    |    |    |    |    |    |    |    |    |    |    |    |    |
|   |    |    |    |    |    |    |    |    |    |    |    |    |    |    |    |
| GPIOPUR, type R/W, offset 0x510, reset -                |    |    |    |    |    |    |    |    |    |    |    |    |    |    |    |
|   |    |    |    |    |    |    |    |    |    |    |    |    |    |    |    |
| GPIOPDR, type R/W, offset 0x514, reset 0x0000.0000      |    |    |    |    |    |    |    |    |    |    |    |    |    |    |    |
|   |    |    |    |    |    |    |    |    |    |    |    |    |    |    |    |
| GPIOSLR, type R/W, offset 0x518, reset 0x0000.0000      |    |    |    |    |    |    |    |    |    |    |    |    |    |    |    |
|   |    |    |    |    |    |    |    |    |    |    |    |    |    |    |    |
| GPIODEN, type R/W, offset 0x51C, reset -                |    |    |    |    |    |    |    |    |    |    |    |    |    |    |    |
|   |    |    |    |    |    |    |    |    |    |    |    |    |    |    |    |
| GPIOLOCK, type R/W, offset 0x520, reset 0x0000.0001     |    |    |    |    |    |    |    |    |    |    |    |    |    |    |    |
|   |    |    |    |    |    |    |    |    |    |    |    |    |    |    |    |
|   |    |    |    |    |    |    |    |    |    |    |    |    |    |    |    |
| GPIOCR, type -, offset 0x524, reset -                   |    |    |    |    |    |    |    |    |    |    |    |    |    |    |    |
|   |    |    |    |    |    |    |    |    |    |    |    |    |    |    |    |
| GPIOPeriphID4, type RO, offset 0xFD0, reset 0x0000.0000 |    |    |    |    |    |    |    |    |    |    |    |    |    |    |    |
|   |    |    |    |    |    |    |    |    |    |    |    |    |    |    |    |
| GPIOPeriphID5, type RO, offset 0xFD4, reset 0x0000.0000 |    |    |    |    |    |    |    |    |    |    |    |    |    |    |    |
|   |    |    |    |    |    |    |    |    |    |    |    |    |    |    |    |

|  |    |    |    |         |    |         |        |         |    |    |    |         |         |        |         |         |
|--|----|----|----|---------|----|---------|--------|---------|----|----|----|---------|---------|--------|---------|---------|
| 31   | 30 | 29 | 28 | 27      | 26 | 25      | 24     | 23      | 22 | 21 | 20 | 19      | 18      | 17     | 16      |         |
| 15   | 14 | 13 | 12 | 11      | 10 | 9       | 8      | 7       | 6  | 5  | 4  | 3       | 2       | 1      | 0       |         |
| <b>GPIOPeriphID6, type RO, offset 0xFD8, reset 0x0000.0000</b> |    |    |    |         |    |         |        |         |    |    |    |         |         |        |         |         |
|  |    |    |    |         |    |         |        |         |    |    |    | PID6    |         |        |         |         |
| <b>GPIOPeriphID7, type RO, offset 0xFDC, reset 0x0000.0000</b> |    |    |    |         |    |         |        |         |    |    |    |         |         |        |         |         |
|  |    |    |    |         |    |         |        |         |    |    |    | PID7    |         |        |         |         |
| <b>GPIOPeriphID0, type RO, offset 0xFE0, reset 0x0000.0061</b> |    |    |    |         |    |         |        |         |    |    |    |         |         |        |         |         |
|  |    |    |    |         |    |         |        |         |    |    |    | PID0    |         |        |         |         |
| <b>GPIOPeriphID1, type RO, offset 0xFE4, reset 0x0000.0000</b> |    |    |    |         |    |         |        |         |    |    |    |         |         |        |         |         |
|  |    |    |    |         |    |         |        |         |    |    |    | PID1    |         |        |         |         |
| <b>GPIOPeriphID2, type RO, offset 0xFE8, reset 0x0000.0018</b> |    |    |    |         |    |         |        |         |    |    |    |         |         |        |         |         |
|  |    |    |    |         |    |         |        |         |    |    |    | PID2    |         |        |         |         |
| <b>GPIOPeriphID3, type RO, offset 0xFEC, reset 0x0000.0001</b> |    |    |    |         |    |         |        |         |    |    |    |         |         |        |         |         |
|  |    |    |    |         |    |         |        |         |    |    |    | PID3    |         |        |         |         |
| <b>GPIOCellID0, type RO, offset 0xFF0, reset 0x0000.000D</b>   |    |    |    |         |    |         |        |         |    |    |    |         |         |        |         |         |
|  |    |    |    |         |    |         |        |         |    |    |    | CID0    |         |        |         |         |
| <b>GPIOCellID1, type RO, offset 0xFF4, reset 0x0000.00F0</b>   |    |    |    |         |    |         |        |         |    |    |    |         |         |        |         |         |
|  |    |    |    |         |    |         |        |         |    |    |    | CID1    |         |        |         |         |
| <b>GPIOCellID2, type RO, offset 0xFF8, reset 0x0000.0005</b>   |    |    |    |         |    |         |        |         |    |    |    |         |         |        |         |         |
|  |    |    |    |         |    |         |        |         |    |    |    | CID2    |         |        |         |         |
| <b>GPIOCellID3, type RO, offset 0xFFC, reset 0x0000.00B1</b>   |    |    |    |         |    |         |        |         |    |    |    |         |         |        |         |         |
|  |    |    |    |         |    |         |        |         |    |    |    | CID3    |         |        |         |         |
| <b>General-Purpose Timers</b>                                  |    |    |    |         |    |         |        |         |    |    |    |         |         |        |         |         |
| Timer0 base: 0x4003.0000                                       |    |    |    |         |    |         |        |         |    |    |    |         |         |        |         |         |
| Timer1 base: 0x4003.1000                                       |    |    |    |         |    |         |        |         |    |    |    |         |         |        |         |         |
| Timer2 base: 0x4003.2000                                       |    |    |    |         |    |         |        |         |    |    |    |         |         |        |         |         |
| Timer3 base: 0x4003.3000                                       |    |    |    |         |    |         |        |         |    |    |    |         |         |        |         |         |
| <b>GPTMCFG, type R/W, offset 0x000, reset 0x0000.0000</b>      |    |    |    |         |    |         |        |         |    |    |    |         |         |        |         |         |
|  |    |    |    |         |    |         |        |         |    |    |    | GPTMCFG |         |        |         |         |
| <b>GPTMTAMR, type R/W, offset 0x004, reset 0x0000.0000</b>     |    |    |    |         |    |         |        |         |    |    |    |         |         |        |         |         |
|  |    |    |    |         |    |         |        |         |    |    |    | TAAMS   | TACMR   | TAMR   |         |         |
| <b>GPTMTBMR, type R/W, offset 0x008, reset 0x0000.0000</b>     |    |    |    |         |    |         |        |         |    |    |    |         |         |        |         |         |
|  |    |    |    |         |    |         |        |         |    |    |    | TBAMS   | TBCMR   | TBMR   |         |         |
| <b>GPTMCTL, type R/W, offset 0x00C, reset 0x0000.0000</b>      |    |    |    |         |    |         |        |         |    |    |    |         |         |        |         |         |
| TBPWML   |    |    |    | TBEVENT |    | TBSTALL | TBEN   | TAPWML  |    |    |    | RTCEN   | TAEVENT |        | TASTALL | TAEN    |
| <b>GPTMIMR, type R/W, offset 0x018, reset 0x0000.0000</b>      |    |    |    |         |    |         |        |         |    |    |    |         |         |        |         |         |
|  |    |    |    |         |    | CBEIM   | CBMIM  | TBTOIM  |    |    |    |         | RTCIM   | CAEIM  | CAMIM   | TATOIM  |
| <b>GPTMRIS, type RO, offset 0x01C, reset 0x0000.0000</b>       |    |    |    |         |    |         |        |         |    |    |    |         |         |        |         |         |
|  |    |    |    |         |    | CBERIS  | CBMRIS | TBTORIS |    |    |    |         | RTCRIIS | CAERIS | CAMRIS  | TATORIS |



| 31  | 30 | 29 | 28 | 27 | 26 | 25 | 24 | 23 | 22 | 21 | 20 | 19 | 18 | 17 | 16     |
|---|----|----|----|----|----|----|----|----|----|----|----|----|----|----|--------|
| 15  | 14 | 13 | 12 | 11 | 10 | 9  | 8  | 7  | 6  | 5  | 4  | 3  | 2  | 1  | 0      |
| <b>WDTMIS, type RO, offset 0x014, reset 0x0000.0000</b>       |    |    |    |    |    |    |    |    |    |    |    |    |    |    |        |
|   |    |    |    |    |    |    |    |    |    |    |    |    |    |    | WDTMIS |
| <b>WDTEST, type R/W, offset 0x418, reset 0x0000.0000</b>      |    |    |    |    |    |    |    |    |    |    |    |    |    |    |        |
|   |    |    |    |    |    |    |    |    |    |    |    |    |    |    | STALL  |
| <b>WDTLOCK, type R/W, offset 0xC00, reset 0x0000.0000</b>     |    |    |    |    |    |    |    |    |    |    |    |    |    |    |        |
| WDTLock   |    |    |    |    |    |    |    |    |    |    |    |    |    |    |        |
| WDTLock   |    |    |    |    |    |    |    |    |    |    |    |    |    |    |        |
| <b>WDTPeriphID4, type RO, offset 0xFD0, reset 0x0000.0000</b> |    |    |    |    |    |    |    |    |    |    |    |    |    |    |        |
|   |    |    |    |    |    |    |    |    |    |    |    |    |    |    | PID4   |
| <b>WDTPeriphID5, type RO, offset 0xFD4, reset 0x0000.0000</b> |    |    |    |    |    |    |    |    |    |    |    |    |    |    |        |
|   |    |    |    |    |    |    |    |    |    |    |    |    |    |    | PID5   |
| <b>WDTPeriphID6, type RO, offset 0xFD8, reset 0x0000.0000</b> |    |    |    |    |    |    |    |    |    |    |    |    |    |    |        |
|   |    |    |    |    |    |    |    |    |    |    |    |    |    |    | PID6   |
| <b>WDTPeriphID7, type RO, offset 0xFDC, reset 0x0000.0000</b> |    |    |    |    |    |    |    |    |    |    |    |    |    |    |        |
|   |    |    |    |    |    |    |    |    |    |    |    |    |    |    | PID7   |
| <b>WDTPeriphID0, type RO, offset 0xFE0, reset 0x0000.0005</b> |    |    |    |    |    |    |    |    |    |    |    |    |    |    |        |
|   |    |    |    |    |    |    |    |    |    |    |    |    |    |    | PID0   |
| <b>WDTPeriphID1, type RO, offset 0xFE4, reset 0x0000.0018</b> |    |    |    |    |    |    |    |    |    |    |    |    |    |    |        |
|   |    |    |    |    |    |    |    |    |    |    |    |    |    |    | PID1   |
| <b>WDTPeriphID2, type RO, offset 0xFE8, reset 0x0000.0018</b> |    |    |    |    |    |    |    |    |    |    |    |    |    |    |        |
|   |    |    |    |    |    |    |    |    |    |    |    |    |    |    | PID2   |
| <b>WDTPeriphID3, type RO, offset 0xFEC, reset 0x0000.0001</b> |    |    |    |    |    |    |    |    |    |    |    |    |    |    |        |
|   |    |    |    |    |    |    |    |    |    |    |    |    |    |    | PID3   |
| <b>WDTPCellID0, type RO, offset 0xFF0, reset 0x0000.000D</b>  |    |    |    |    |    |    |    |    |    |    |    |    |    |    |        |
|   |    |    |    |    |    |    |    |    |    |    |    |    |    |    | CID0   |
| <b>WDTPCellID1, type RO, offset 0xFF4, reset 0x0000.00F0</b>  |    |    |    |    |    |    |    |    |    |    |    |    |    |    |        |
|   |    |    |    |    |    |    |    |    |    |    |    |    |    |    | CID1   |
| <b>WDTPCellID2, type RO, offset 0xFF8, reset 0x0000.0005</b>  |    |    |    |    |    |    |    |    |    |    |    |    |    |    |        |
|   |    |    |    |    |    |    |    |    |    |    |    |    |    |    | CID2   |
| <b>WDTPCellID3, type RO, offset 0xFFC, reset 0x0000.00B1</b>  |    |    |    |    |    |    |    |    |    |    |    |    |    |    |        |
|   |    |    |    |    |    |    |    |    |    |    |    |    |    |    | CID3   |
| <b>Universal Asynchronous Receivers/Transmitters (UARTs)</b>  |    |    |    |    |    |    |    |    |    |    |    |    |    |    |        |
| UART0 base: 0x4000.C000                                       |    |    |    |    |    |    |    |    |    |    |    |    |    |    |        |
| UART1 base: 0x4000.D000                                       |    |    |    |    |    |    |    |    |    |    |    |    |    |    |        |
| UART2 base: 0x4000.E000                                       |    |    |    |    |    |    |    |    |    |    |    |    |    |    |        |
| <b>UARTDR, type R/W, offset 0x000, reset 0x0000.0000</b>      |    |    |    |    |    |    |    |    |    |    |    |    |    |    |        |
|   |    |    |    |    |    |    |    |    |    |    |    |    |    |    | DATA   |
|   |    |    |    | OE | BE | PE | FE |    |    |    |    |    |    |    |        |

|  |    |    |    |    |    |    |    |    |    |    |    |          |       |       |       |          |       |       |       |        |  |  |
|--|----|----|----|----|----|----|----|----|----|----|----|----------|-------|-------|-------|----------|-------|-------|-------|--------|--|--|
| 31   | 30 | 29 | 28 | 27 | 26 | 25 | 24 | 23 | 22 | 21 | 20 | 19       | 18    | 17    | 16    |          |       |       |       |        |  |  |
| 15   | 14 | 13 | 12 | 11 | 10 | 9  | 8  | 7  | 6  | 5  | 4  | 3        | 2     | 1     | 0     |          |       |       |       |        |  |  |
| <b>UARTSR/UARTECR, type RO, offset 0x004, reset 0x0000.0000 (Reads)</b>  |    |    |    |    |    |    |    |    |    |    |    |          |       |       |       |          |       |       |       |        |  |  |
|  |    |    |    |    |    |    |    |    |    |    |    | OE       | BE    | PE    | FE    |          |       |       |       |        |  |  |
| <b>UARTSR/UARTECR, type WO, offset 0x004, reset 0x0000.0000 (Writes)</b> |    |    |    |    |    |    |    |    |    |    |    |          |       |       |       |          |       |       |       |        |  |  |
|  |    |    |    |    |    |    |    |    |    |    |    | DATA     |       |       |       |          |       |       |       |        |  |  |
| <b>UARTFR, type RO, offset 0x018, reset 0x0000.0090</b>                  |    |    |    |    |    |    |    |    |    |    |    |          |       |       |       |          |       |       |       |        |  |  |
|  |    |    |    |    |    |    |    |    |    |    |    | TXFE     | RXFF  | TXFF  | RXFE  | BUSY     |       |       |       |        |  |  |
| <b>UARTLPR, type R/W, offset 0x020, reset 0x0000.0000</b>                |    |    |    |    |    |    |    |    |    |    |    |          |       |       |       |          |       |       |       |        |  |  |
|  |    |    |    |    |    |    |    |    |    |    |    | ILPDVSR  |       |       |       |          |       |       |       |        |  |  |
| <b>UARTIBRD, type R/W, offset 0x024, reset 0x0000.0000</b>               |    |    |    |    |    |    |    |    |    |    |    |          |       |       |       |          |       |       |       |        |  |  |
|  |    |    |    |    |    |    |    |    |    |    |    | DIVINT   |       |       |       |          |       |       |       |        |  |  |
| <b>UARTFBRD, type R/W, offset 0x028, reset 0x0000.0000</b>               |    |    |    |    |    |    |    |    |    |    |    |          |       |       |       |          |       |       |       |        |  |  |
|  |    |    |    |    |    |    |    |    |    |    |    | DIVFRAC  |       |       |       |          |       |       |       |        |  |  |
| <b>UARTLCRH, type R/W, offset 0x02C, reset 0x0000.0000</b>               |    |    |    |    |    |    |    |    |    |    |    |          |       |       |       |          |       |       |       |        |  |  |
|  |    |    |    |    |    |    |    |    |    |    |    | SPS      | WLEN  | FEN   | STP2  | EPS      | PEN   | BRK   |       |        |  |  |
| <b>UARTCTL, type R/W, offset 0x030, reset 0x0000.0300</b>                |    |    |    |    |    |    |    |    |    |    |    |          |       |       |       |          |       |       |       |        |  |  |
|  |    |    |    |    |    |    |    |    |    |    |    | RXE      | TXE   | LBE   |       |          |       | SIRLP | SIREN | UARTEN |  |  |
| <b>UARTIFLS, type R/W, offset 0x034, reset 0x0000.0012</b>               |    |    |    |    |    |    |    |    |    |    |    |          |       |       |       |          |       |       |       |        |  |  |
|  |    |    |    |    |    |    |    |    |    |    |    | RXIFLSEL |       |       |       | TXIFLSEL |       |       |       |        |  |  |
| <b>UARTIM, type R/W, offset 0x038, reset 0x0000.0000</b>                 |    |    |    |    |    |    |    |    |    |    |    |          |       |       |       |          |       |       |       |        |  |  |
|  |    |    |    |    |    |    |    |    |    |    |    | OEIM     | BEIM  | PEIM  | FEIM  | RTIM     | TXIM  | RXIM  |       |        |  |  |
| <b>UARTRIS, type RO, offset 0x03C, reset 0x0000.000F</b>                 |    |    |    |    |    |    |    |    |    |    |    |          |       |       |       |          |       |       |       |        |  |  |
|  |    |    |    |    |    |    |    |    |    |    |    | OERIS    | BERIS | PERIS | FERIS | RTRIS    | TXRIS | RXRIS |       |        |  |  |
| <b>UARTMIS, type RO, offset 0x040, reset 0x0000.0000</b>                 |    |    |    |    |    |    |    |    |    |    |    |          |       |       |       |          |       |       |       |        |  |  |
|  |    |    |    |    |    |    |    |    |    |    |    | OEMIS    | BEMIS | PEMIS | FEMIS | RTMIS    | TXMIS | RXMIS |       |        |  |  |
| <b>UARTICR, type W1C, offset 0x044, reset 0x0000.0000</b>                |    |    |    |    |    |    |    |    |    |    |    |          |       |       |       |          |       |       |       |        |  |  |
|  |    |    |    |    |    |    |    |    |    |    |    | OEIC     | BEIC  | PEIC  | FEIC  | RTIC     | TXIC  | RXIC  |       |        |  |  |
| <b>UARTPeriphID4, type RO, offset 0xFD0, reset 0x0000.0000</b>           |    |    |    |    |    |    |    |    |    |    |    |          |       |       |       |          |       |       |       |        |  |  |
|  |    |    |    |    |    |    |    |    |    |    |    | PID4     |       |       |       |          |       |       |       |        |  |  |
| <b>UARTPeriphID5, type RO, offset 0xFD4, reset 0x0000.0000</b>           |    |    |    |    |    |    |    |    |    |    |    |          |       |       |       |          |       |       |       |        |  |  |
|  |    |    |    |    |    |    |    |    |    |    |    | PID5     |       |       |       |          |       |       |       |        |  |  |
| <b>UARTPeriphID6, type RO, offset 0xFD8, reset 0x0000.0000</b>           |    |    |    |    |    |    |    |    |    |    |    |          |       |       |       |          |       |       |       |        |  |  |
|  |    |    |    |    |    |    |    |    |    |    |    | PID6     |       |       |       |          |       |       |       |        |  |  |
| <b>UARTPeriphID7, type RO, offset 0xFDC, reset 0x0000.0000</b>           |    |    |    |    |    |    |    |    |    |    |    |          |       |       |       |          |       |       |       |        |  |  |
|  |    |    |    |    |    |    |    |    |    |    |    | PID7     |       |       |       |          |       |       |       |        |  |  |

|   |    |    |    |    |    |     |    |     |    |     |    |         |       |       |        |     |
|---|----|----|----|----|----|-----|----|-----|----|-----|----|---------|-------|-------|--------|-----|
| 31  | 30 | 29 | 28 | 27 | 26 | 25  | 24 | 23  | 22 | 21  | 20 | 19      | 18    | 17    | 16     |     |
| 15  | 14 | 13 | 12 | 11 | 10 | 9   | 8  | 7   | 6  | 5   | 4  | 3       | 2     | 1     | 0      |     |
| UARTPeriphID0, type RO, offset 0xFE0, reset 0x0000.0011 |    |    |    |    |    |     |    |     |    |     |    |         |       |       |        |     |
|   |    |    |    |    |    |     |    |     |    |     |    | PID0    |       |       |        |     |
| UARTPeriphID1, type RO, offset 0xFE4, reset 0x0000.0000 |    |    |    |    |    |     |    |     |    |     |    |         |       |       |        |     |
|   |    |    |    |    |    |     |    |     |    |     |    | PID1    |       |       |        |     |
| UARTPeriphID2, type RO, offset 0xFE8, reset 0x0000.0018 |    |    |    |    |    |     |    |     |    |     |    |         |       |       |        |     |
|   |    |    |    |    |    |     |    |     |    |     |    | PID2    |       |       |        |     |
| UARTPeriphID3, type RO, offset 0xFEC, reset 0x0000.0001 |    |    |    |    |    |     |    |     |    |     |    |         |       |       |        |     |
|   |    |    |    |    |    |     |    |     |    |     |    | PID3    |       |       |        |     |
| UARTPCellID0, type RO, offset 0xFF0, reset 0x0000.000D  |    |    |    |    |    |     |    |     |    |     |    |         |       |       |        |     |
|   |    |    |    |    |    |     |    |     |    |     |    | CID0    |       |       |        |     |
| UARTPCellID1, type RO, offset 0xFF4, reset 0x0000.00F0  |    |    |    |    |    |     |    |     |    |     |    |         |       |       |        |     |
|   |    |    |    |    |    |     |    |     |    |     |    | CID1    |       |       |        |     |
| UARTPCellID2, type RO, offset 0xFF8, reset 0x0000.0005  |    |    |    |    |    |     |    |     |    |     |    |         |       |       |        |     |
|   |    |    |    |    |    |     |    |     |    |     |    | CID2    |       |       |        |     |
| UARTPCellID3, type RO, offset 0xFFC, reset 0x0000.00B1  |    |    |    |    |    |     |    |     |    |     |    |         |       |       |        |     |
|   |    |    |    |    |    |     |    |     |    |     |    | CID3    |       |       |        |     |
| <b>Synchronous Serial Interface (SSI)</b>               |    |    |    |    |    |     |    |     |    |     |    |         |       |       |        |     |
| SSI0 base: 0x4000.8000                                  |    |    |    |    |    |     |    |     |    |     |    |         |       |       |        |     |
| SSI1 base: 0x4000.9000                                  |    |    |    |    |    |     |    |     |    |     |    |         |       |       |        |     |
| SSICR0, type R/W, offset 0x000, reset 0x0000.0000       |    |    |    |    |    |     |    |     |    |     |    |         |       |       |        |     |
| SCR   |    |    |    |    |    | SPH |    | SPO |    | FRF |    | DSS     |       |       |        |     |
| SSICR1, type R/W, offset 0x004, reset 0x0000.0000       |    |    |    |    |    |     |    |     |    |     |    |         |       |       |        |     |
|   |    |    |    |    |    |     |    |     |    |     |    | SOD     |       | MS    | SSE    | LBM |
| SSIDR, type R/W, offset 0x008, reset 0x0000.0000        |    |    |    |    |    |     |    |     |    |     |    |         |       |       |        |     |
| DATA  |    |    |    |    |    |     |    |     |    |     |    |         |       |       |        |     |
| SSISR, type RO, offset 0x00C, reset 0x0000.0003         |    |    |    |    |    |     |    |     |    |     |    |         |       |       |        |     |
|   |    |    |    |    |    |     |    |     |    |     |    | BSY     | RFF   | RNE   | TNF    | TFE |
| SSICPSR, type R/W, offset 0x010, reset 0x0000.0000      |    |    |    |    |    |     |    |     |    |     |    |         |       |       |        |     |
|   |    |    |    |    |    |     |    |     |    |     |    | CPDVDSR |       |       |        |     |
| SSIIM, type R/W, offset 0x014, reset 0x0000.0000        |    |    |    |    |    |     |    |     |    |     |    |         |       |       |        |     |
|   |    |    |    |    |    |     |    |     |    |     |    | TXIM    | RXIM  | RTIM  | RORIM  |     |
| SSIRIS, type RO, offset 0x018, reset 0x0000.0008        |    |    |    |    |    |     |    |     |    |     |    |         |       |       |        |     |
|   |    |    |    |    |    |     |    |     |    |     |    | TXRIS   | RXRIS | RTRIS | RORRIS |     |
| SSIMIS, type RO, offset 0x01C, reset 0x0000.0000        |    |    |    |    |    |     |    |     |    |     |    |         |       |       |        |     |
|   |    |    |    |    |    |     |    |     |    |     |    | TXMIS   | RXMIS | RTMIS | RORMIS |     |

|  |    |    |    |    |    |    |    |    |    |    |    |    |    |        |       |        |         |        |       |      |
|--|----|----|----|----|----|----|----|----|----|----|----|----|----|--------|-------|--------|---------|--------|-------|------|
| 31   | 30 | 29 | 28 | 27 | 26 | 25 | 24 | 23 | 22 | 21 | 20 | 19 | 18 | 17     | 16    |        |         |        |       |      |
| 15   | 14 | 13 | 12 | 11 | 10 | 9  | 8  | 7  | 6  | 5  | 4  | 3  | 2  | 1      | 0     |        |         |        |       |      |
| <b>SSIICR, type W1C, offset 0x020, reset 0x0000.0000</b>         |    |    |    |    |    |    |    |    |    |    |    |    |    |        |       |        |         |        |       |      |
|  |    |    |    |    |    |    |    |    |    |    |    |    |    | RTIC   | RORIC |        |         |        |       |      |
| <b>SSIPeriphID4, type RO, offset 0xFD0, reset 0x0000.0000</b>    |    |    |    |    |    |    |    |    |    |    |    |    |    |        |       |        |         |        |       |      |
|  |    |    |    |    |    |    |    |    |    |    |    |    |    | PID4   |       |        |         |        |       |      |
| <b>SSIPeriphID5, type RO, offset 0xFD4, reset 0x0000.0000</b>    |    |    |    |    |    |    |    |    |    |    |    |    |    |        |       |        |         |        |       |      |
|  |    |    |    |    |    |    |    |    |    |    |    |    |    | PID5   |       |        |         |        |       |      |
| <b>SSIPeriphID6, type RO, offset 0xFD8, reset 0x0000.0000</b>    |    |    |    |    |    |    |    |    |    |    |    |    |    |        |       |        |         |        |       |      |
|  |    |    |    |    |    |    |    |    |    |    |    |    |    | PID6   |       |        |         |        |       |      |
| <b>SSIPeriphID7, type RO, offset 0xFDC, reset 0x0000.0000</b>    |    |    |    |    |    |    |    |    |    |    |    |    |    |        |       |        |         |        |       |      |
|  |    |    |    |    |    |    |    |    |    |    |    |    |    | PID7   |       |        |         |        |       |      |
| <b>SSIPeriphID0, type RO, offset 0xFE0, reset 0x0000.0022</b>    |    |    |    |    |    |    |    |    |    |    |    |    |    |        |       |        |         |        |       |      |
|  |    |    |    |    |    |    |    |    |    |    |    |    |    | PID0   |       |        |         |        |       |      |
| <b>SSIPeriphID1, type RO, offset 0xFE4, reset 0x0000.0000</b>    |    |    |    |    |    |    |    |    |    |    |    |    |    |        |       |        |         |        |       |      |
|  |    |    |    |    |    |    |    |    |    |    |    |    |    | PID1   |       |        |         |        |       |      |
| <b>SSIPeriphID2, type RO, offset 0xFE8, reset 0x0000.0018</b>    |    |    |    |    |    |    |    |    |    |    |    |    |    |        |       |        |         |        |       |      |
|  |    |    |    |    |    |    |    |    |    |    |    |    |    | PID2   |       |        |         |        |       |      |
| <b>SSIPeriphID3, type RO, offset 0xFEC, reset 0x0000.0001</b>    |    |    |    |    |    |    |    |    |    |    |    |    |    |        |       |        |         |        |       |      |
|  |    |    |    |    |    |    |    |    |    |    |    |    |    | PID3   |       |        |         |        |       |      |
| <b>SSIPCellID0, type RO, offset 0xFF0, reset 0x0000.000D</b>     |    |    |    |    |    |    |    |    |    |    |    |    |    |        |       |        |         |        |       |      |
|  |    |    |    |    |    |    |    |    |    |    |    |    |    | CID0   |       |        |         |        |       |      |
| <b>SSIPCellID1, type RO, offset 0xFF4, reset 0x0000.00F0</b>     |    |    |    |    |    |    |    |    |    |    |    |    |    |        |       |        |         |        |       |      |
|  |    |    |    |    |    |    |    |    |    |    |    |    |    | CID1   |       |        |         |        |       |      |
| <b>SSIPCellID2, type RO, offset 0xFF8, reset 0x0000.0005</b>     |    |    |    |    |    |    |    |    |    |    |    |    |    |        |       |        |         |        |       |      |
|  |    |    |    |    |    |    |    |    |    |    |    |    |    | CID2   |       |        |         |        |       |      |
| <b>SSIPCellID3, type RO, offset 0xFFC, reset 0x0000.00B1</b>     |    |    |    |    |    |    |    |    |    |    |    |    |    |        |       |        |         |        |       |      |
|  |    |    |    |    |    |    |    |    |    |    |    |    |    | CID3   |       |        |         |        |       |      |
| <b>Inter-Integrated Circuit (I<sup>2</sup>C) Interface</b>       |    |    |    |    |    |    |    |    |    |    |    |    |    |        |       |        |         |        |       |      |
| <b>I<sup>2</sup>C Master</b>                                     |    |    |    |    |    |    |    |    |    |    |    |    |    |        |       |        |         |        |       |      |
| I2C Master 0 base: 0x4002.0000                                   |    |    |    |    |    |    |    |    |    |    |    |    |    |        |       |        |         |        |       |      |
| I2C Master 1 base: 0x4002.1000                                   |    |    |    |    |    |    |    |    |    |    |    |    |    |        |       |        |         |        |       |      |
| <b>I2CMSA, type R/W, offset 0x000, reset 0x0000.0000</b>         |    |    |    |    |    |    |    |    |    |    |    |    |    |        |       |        |         |        |       |      |
|  |    |    |    |    |    |    |    |    |    |    |    |    |    | SA     | R/S   |        |         |        |       |      |
| <b>I2CMCS, type RO, offset 0x004, reset 0x0000.0000 (Reads)</b>  |    |    |    |    |    |    |    |    |    |    |    |    |    |        |       |        |         |        |       |      |
|  |    |    |    |    |    |    |    |    |    |    |    |    |    | BUSBSY | IDLE  | ARBLST | DATAACK | ADRACK | ERROR | BUSY |
| <b>I2CMCS, type WO, offset 0x004, reset 0x0000.0000 (Writes)</b> |    |    |    |    |    |    |    |    |    |    |    |    |    |        |       |        |         |        |       |      |
|  |    |    |    |    |    |    |    |    |    |    |    |    |    | ACK    | STOP  | START  | RUN     |        |       |      |

| 31   | 30 | 29 | 28 | 27 | 26 | 25 | 24 | 23 | 22 | 21  | 20  | 19   | 18   | 17   | 16      |
|--|----|----|----|----|----|----|----|----|----|-----|-----|------|------|------|---------|
| 15   | 14 | 13 | 12 | 11 | 10 | 9  | 8  | 7  | 6  | 5   | 4   | 3    | 2    | 1    | 0       |
| <b>I2CMMDR, type R/W, offset 0x008, reset 0x0000.0000</b>        |    |    |    |    |    |    |    |    |    |     |     |      |      |      |         |
|  |    |    |    |    |    |    |    |    |    |     |     | DATA |      |      |         |
| <b>I2CMTPR, type R/W, offset 0x00C, reset 0x0000.0001</b>        |    |    |    |    |    |    |    |    |    |     |     |      |      |      |         |
|  |    |    |    |    |    |    |    |    |    |     |     | TPR  |      |      |         |
| <b>I2CMIMR, type R/W, offset 0x010, reset 0x0000.0000</b>        |    |    |    |    |    |    |    |    |    |     |     |      |      |      |         |
|  |    |    |    |    |    |    |    |    |    |     |     |      |      |      | IM      |
| <b>I2CMRIS, type RO, offset 0x014, reset 0x0000.0000</b>         |    |    |    |    |    |    |    |    |    |     |     |      |      |      |         |
|  |    |    |    |    |    |    |    |    |    |     |     |      |      |      | RIS     |
| <b>I2CMMIS, type RO, offset 0x018, reset 0x0000.0000</b>         |    |    |    |    |    |    |    |    |    |     |     |      |      |      |         |
|  |    |    |    |    |    |    |    |    |    |     |     |      |      |      | MIS     |
| <b>I2CMICR, type WO, offset 0x01C, reset 0x0000.0000</b>         |    |    |    |    |    |    |    |    |    |     |     |      |      |      |         |
|  |    |    |    |    |    |    |    |    |    |     |     |      |      |      | IC      |
| <b>I2CMCR, type R/W, offset 0x020, reset 0x0000.0000</b>         |    |    |    |    |    |    |    |    |    |     |     |      |      |      |         |
|  |    |    |    |    |    |    |    |    |    | SFE | MFE |      |      |      | LPBK    |
| <b>Inter-Integrated Circuit (I<sup>2</sup>C) Interface</b>       |    |    |    |    |    |    |    |    |    |     |     |      |      |      |         |
| <b>I<sup>2</sup>C Slave</b>                                      |    |    |    |    |    |    |    |    |    |     |     |      |      |      |         |
| I2C Slave 0 base: 0x4002.0800                                    |    |    |    |    |    |    |    |    |    |     |     |      |      |      |         |
| I2C Slave 1 base: 0x4002.1800                                    |    |    |    |    |    |    |    |    |    |     |     |      |      |      |         |
| <b>I2CSOAR, type R/W, offset 0x000, reset 0x0000.0000</b>        |    |    |    |    |    |    |    |    |    |     |     |      |      |      |         |
|  |    |    |    |    |    |    |    |    |    |     |     | OAR  |      |      |         |
| <b>I2CCSR, type RO, offset 0x004, reset 0x0000.0000 (Reads)</b>  |    |    |    |    |    |    |    |    |    |     |     |      |      |      |         |
|  |    |    |    |    |    |    |    |    |    |     |     | FBR  | TREQ | RREQ |         |
| <b>I2CCSR, type WO, offset 0x004, reset 0x0000.0000 (Writes)</b> |    |    |    |    |    |    |    |    |    |     |     |      |      |      |         |
|  |    |    |    |    |    |    |    |    |    |     |     |      |      |      | DA      |
| <b>I2CSDR, type R/W, offset 0x008, reset 0x0000.0000</b>         |    |    |    |    |    |    |    |    |    |     |     |      |      |      |         |
|  |    |    |    |    |    |    |    |    |    |     |     | DATA |      |      |         |
| <b>I2CSIMR, type R/W, offset 0x00C, reset 0x0000.0000</b>        |    |    |    |    |    |    |    |    |    |     |     |      |      |      |         |
|  |    |    |    |    |    |    |    |    |    |     |     |      |      |      | DATAIM  |
| <b>I2CSRIS, type RO, offset 0x010, reset 0x0000.0000</b>         |    |    |    |    |    |    |    |    |    |     |     |      |      |      |         |
|  |    |    |    |    |    |    |    |    |    |     |     |      |      |      | DATARIS |
| <b>I2CSMIS, type RO, offset 0x014, reset 0x0000.0000</b>         |    |    |    |    |    |    |    |    |    |     |     |      |      |      |         |
|  |    |    |    |    |    |    |    |    |    |     |     |      |      |      | DATAMIS |
| <b>I2CSICR, type WO, offset 0x018, reset 0x0000.0000</b>         |    |    |    |    |    |    |    |    |    |     |     |      |      |      |         |
|  |    |    |    |    |    |    |    |    |    |     |     |      |      |      | DATAIC  |



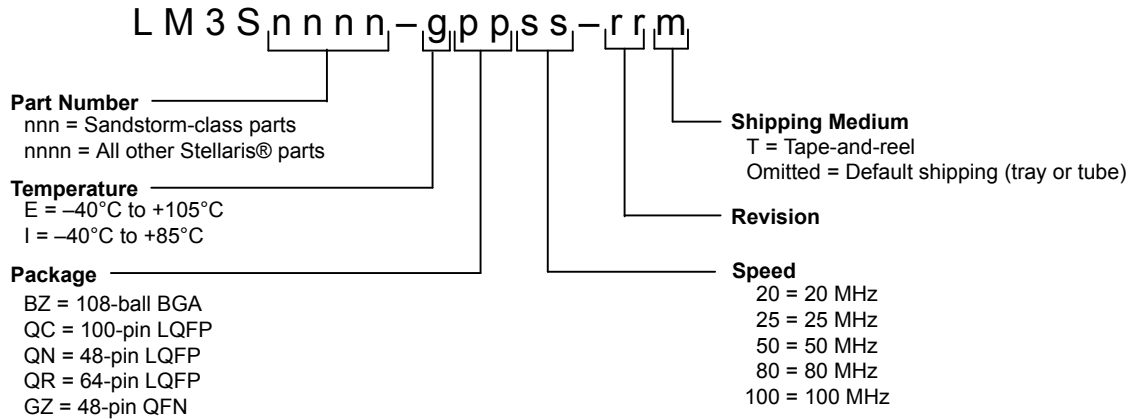


|  |         |         |        |          |          |           |             |            |          |           |         |           |           |            |              |
|--|---------|---------|--------|----------|----------|-----------|-------------|------------|----------|-----------|---------|-----------|-----------|------------|--------------|
| 31   | 30      | 29      | 28     | 27       | 26       | 25        | 24          | 23         | 22       | 21        | 20      | 19        | 18        | 17         | 16           |
| 15   | 14      | 13      | 12     | 11       | 10       | 9         | 8           | 7          | 6        | 5         | 4       | 3         | 2         | 1          | 0            |
| <b>Ethernet Controller</b>                                 |         |         |        |          |          |           |             |            |          |           |         |           |           |            |              |
| <b>MII Management</b>                                      |         |         |        |          |          |           |             |            |          |           |         |           |           |            |              |
| <b>MR0, type R/W, address 0x00, reset 0x3100</b>           |         |         |        |          |          |           |             |            |          |           |         |           |           |            |              |
| RESET  | LOOPBK  | SPEEDSL | ANEGEN | PWRDN    | ISO      | RANEG     | DUPLEX      | COLT       |          |           |         |           |           |            |              |
| <b>MR1, type RO, address 0x01, reset 0x7849</b>            |         |         |        |          |          |           |             |            |          |           |         |           |           |            |              |
|  | 100X_F  | 100X_H  | 10T_F  | 10T_H    |          |           |             |            | MFPS     | ANEGC     | RFAULT  | ANEGA     | LINK      | JAB        | EXTD         |
| <b>MR2, type RO, address 0x02, reset 0x000E</b>            |         |         |        |          |          |           |             |            |          |           |         |           |           |            |              |
| OUI[21:6]  |         |         |        |          |          |           |             |            |          |           |         |           |           |            |              |
| <b>MR3, type RO, address 0x03, reset 0x7237</b>            |         |         |        |          |          |           |             |            |          |           |         |           |           |            |              |
| OUI[5:0] MN RN   |         |         |        |          |          |           |             |            |          |           |         |           |           |            |              |
| <b>MR4, type R/W, address 0x04, reset 0x01E1</b>           |         |         |        |          |          |           |             |            |          |           |         |           |           |            |              |
| NP   |         | RF      |        |          |          | A3        | A2          | A1         | A0       |           |         |           |           |            | S            |
| <b>MR5, type RO, address 0x05, reset 0x0000</b>            |         |         |        |          |          |           |             |            |          |           |         |           |           |            |              |
| NP   | ACK     | RF      |        |          |          | A[7:0]    |             |            |          |           |         |           |           |            | S            |
| <b>MR6, type RO, address 0x06, reset 0x0000</b>            |         |         |        |          |          |           |             |            |          |           |         |           |           |            |              |
|  |         |         |        |          |          |           |             |            |          |           | PDF     | LPNPA     |           | PRX        | LPANEGA      |
| <b>MR16, type R/W, address 0x10, reset 0x0140</b>          |         |         |        |          |          |           |             |            |          |           |         |           |           |            |              |
| RPTR   | INPOL   |         | TXHIM  | SQEI     | NL10     |           |             |            |          | APOL      | RVSPOL  |           |           | PCSBP      | RXCC         |
| <b>MR17, type R/W, address 0x11, reset 0x0000</b>          |         |         |        |          |          |           |             |            |          |           |         |           |           |            |              |
| JABBER_IE  | RXER_IE | PRX_IE  | PDF_IE | LPACK_IE | LSCHG_IE | RFAULT_IE | ANEGCOMP_IE | JABBER_INT | RXER_INT | PRX_INT   | PDF_INT | LPACK_INT | LSCHG_INT | RFAULT_INT | ANEGCOMP_INT |
| <b>MR18, type RO, address 0x12, reset 0x0000</b>           |         |         |        |          |          |           |             |            |          |           |         |           |           |            |              |
|  |         |         | ANEGF  | DPLX     | RATE     | RXSD      | RX_LOCK     |            |          |           |         |           |           |            |              |
| <b>MR19, type R/W, address 0x13, reset 0x4000</b>          |         |         |        |          |          |           |             |            |          |           |         |           |           |            |              |
|  | TXO     |         |        |          |          |           |             |            |          |           |         |           |           |            |              |
| <b>MR23, type R/W, address 0x17, reset 0x0010</b>          |         |         |        |          |          |           |             |            |          |           |         |           |           |            |              |
|  |         |         |        |          |          |           |             |            |          | LED1[3:0] |         |           |           | LED0[3:0]  |              |
| <b>MR24, type R/W, address 0x18, reset 0x00C0</b>          |         |         |        |          |          |           |             |            |          |           |         |           |           |            |              |
|  |         |         |        |          |          |           |             |            | PD_MODE  | AUTO_SW   | MDIX    | MDIX_CM   |           |            | MDIX_SD      |
| <b>Analog Comparators</b>                                  |         |         |        |          |          |           |             |            |          |           |         |           |           |            |              |
| Base 0x4003.C000   |         |         |        |          |          |           |             |            |          |           |         |           |           |            |              |
| <b>ACMIS, type R/W1C, offset 0x000, reset 0x0000.0000</b>  |         |         |        |          |          |           |             |            |          |           |         |           |           |            |              |
|  |         |         |        |          |          |           |             |            |          |           |         |           |           | IN1        | IN0          |
| <b>ACRIS, type RO, offset 0x004, reset 0x0000.0000</b>     |         |         |        |          |          |           |             |            |          |           |         |           |           |            |              |
|  |         |         |        |          |          |           |             |            |          |           |         |           |           | IN1        | IN0          |
| <b>ACINTEN, type R/W, offset 0x008, reset 0x0000.0000</b>  |         |         |        |          |          |           |             |            |          |           |         |           |           |            |              |
|  |         |         |        |          |          |           |             |            |          |           |         |           |           | IN1        | IN0          |
| <b>ACREFCTL, type R/W, offset 0x010, reset 0x0000.0000</b> |         |         |        |          |          |           |             |            |          |           |         |           |           |            |              |
|  |         |         |        |          |          | EN        | RNG         |            |          |           |         |           |           |            | VREF         |
| <b>ACSTAT0, type RO, offset 0x020, reset 0x0000.0000</b>   |         |         |        |          |          |           |             |            |          |           |         |           |           |            |              |
|  |         |         |        |          |          |           |             |            |          |           |         |           |           | OVAL       |              |
| <b>ACSTAT1, type RO, offset 0x040, reset 0x0000.0000</b>   |         |         |        |          |          |           |             |            |          |           |         |           |           |            |              |
|  |         |         |        |          |          |           |             |            |          |           |         |           |           | OVAL       |              |
| <b>ACCTL0, type R/W, offset 0x024, reset 0x0000.0000</b>   |         |         |        |          |          |           |             |            |          |           |         |           |           |            |              |
|  |         |         |        |          |          | ASRCP     |             |            |          |           | ISLVAL  | ISEN      |           | CINV       |              |



## C Ordering and Contact Information

### C.1 Ordering Information



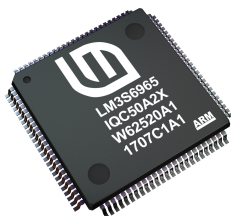
**Table C-1. Part Ordering Information**

| Orderable Part Number | Description   |
|-----------------------|---|
| LM3S6911-IBZ50-A2     | Stellaris® LM3S6911 Microcontroller Industrial Temperature 108-ball BGA               |
| LM3S6911-IBZ50-A2T    | Stellaris® LM3S6911 Microcontroller Industrial Temperature 108-ball BGA Tape-and-reel |
| LM3S6911-EQC50-A2     | Stellaris® LM3S6911 Microcontroller Extended Temperature 100-pin LQFP                 |
| LM3S6911-EQC50-A2T    | Stellaris® LM3S6911 Microcontroller Extended Temperature 100-pin LQFP Tape-and-reel   |
| LM3S6911-IQC50-A2     | Stellaris® LM3S6911 Microcontroller Industrial Temperature 100-pin LQFP               |
| LM3S6911-IQC50-A2T    | Stellaris® LM3S6911 Microcontroller Industrial Temperature 100-pin LQFP Tape-and-reel |

### C.2 Part Markings

The Stellaris® microcontrollers are marked with an identifying number. This code contains the following information:

- The first line indicates the part number. In the example figure below, this is the LM3S6965.
- The first seven characters in the second line indicate the temperature, package, speed, and revision. In the example figure below, this is an Industrial temperature (I), 100-pin LQFP package (QC), 50-MHz (50), revision A2 (A2) device.
- The remaining characters contain internal tracking numbers.



### C.3 Kits

The Stellaris® Family provides the hardware and software tools that engineers need to begin development quickly.

- Reference Design Kits accelerate product development by providing ready-to-run hardware and comprehensive documentation including hardware design files
- Evaluation Kits provide a low-cost and effective means of evaluating Stellaris® microcontrollers before purchase
- Development Kits provide you with all the tools you need to develop and prototype embedded applications right out of the box

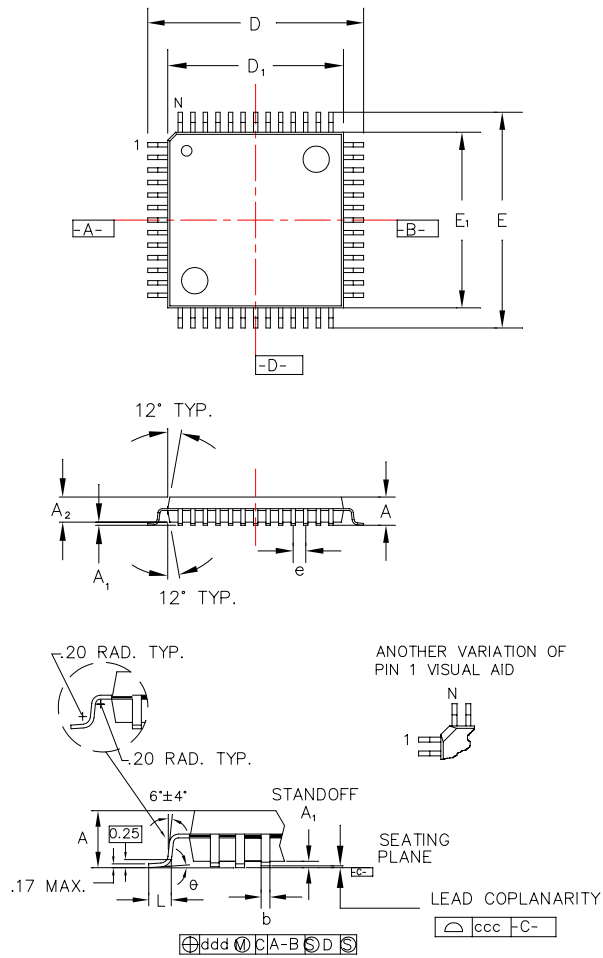
See the website at [www.ti.com/stellaris](http://www.ti.com/stellaris) for the latest tools available, or ask your distributor.

### C.4 Support Information

For support on Stellaris® products, contact the TI Worldwide Product Information Center nearest you: <http://www-k.ext.ti.com/sc/technical-support/product-information-centers.htm>.

# D Package Information

Figure D-1. 100-Pin LQFP Package

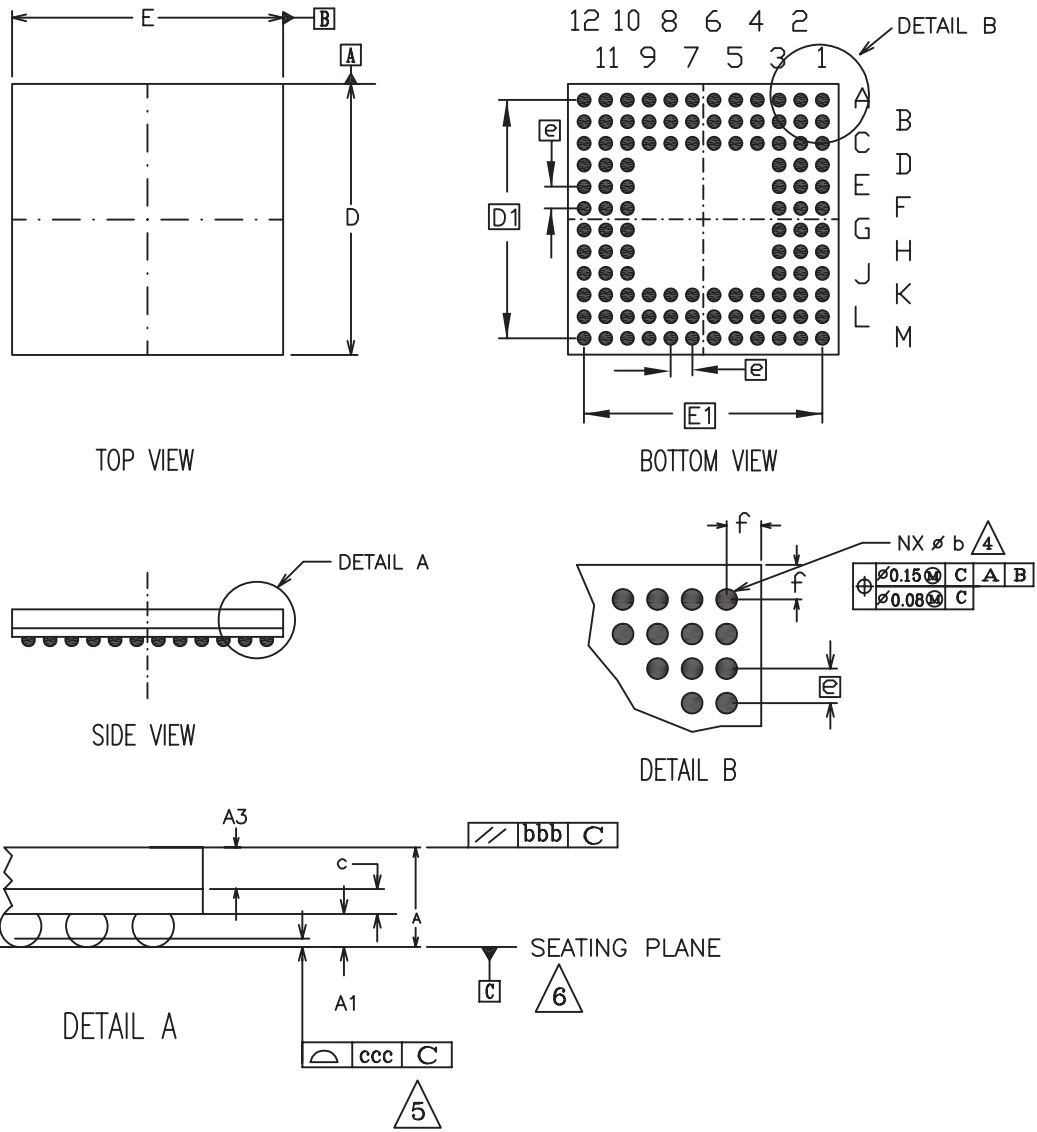


**Note:** The following notes apply to the package drawing.

1. All dimensions shown in mm.
2. Dimensions shown are nominal with tolerances indicated.
3. Foot length 'L' is measured at gage plane 0.25 mm above seating plane.

| Body +2.00 mm Footprint, 1.4 mm package thickness |             |                     |
|---|-------------|---------------------|
| Symbols   | Leads       | 100L                |
| A   | Max.        | 1.60                |
| A <sub>1</sub>                                    | -           | 0.05 Min./0.15 Max. |
| A <sub>2</sub>                                    | ±0.05       | 1.40                |
| D   | ±0.20       | 16.00               |
| D <sub>1</sub>                                    | ±0.05       | 14.00               |
| E   | ±0.20       | 16.00               |
| E <sub>1</sub>                                    | ±0.05       | 14.00               |
| L   | +0.15/-0.10 | 0.60                |
| e   | Basic       | 0.50                |
| b   | +0.05       | 0.22                |
| θ   | -           | 0°-7°               |
| ddd   | Max.        | 0.08                |
| ccc   | Max.        | 0.08                |
| JEDEC Reference Drawing                           |             | MS-026              |
| Variation Designator                              |             | BED                 |

Figure D-2. 108-Ball BGA Package





**Note:** The following notes apply to the package drawing.

1. ALL DIMENSIONS ARE IN MILLIMETERS.
  2. 'e' REPRESENTS THE BASIC SOLDER BALL GRID PITCH.
  3. 'M' REPRESENTS THE BASIC SOLDER BALL MATRIX SIZE.  
AND SYMBOL 'N' IS THE NUMBER OF BALLS AFTER DEPOPULATING.
  4. 'b' IS MEASURABLE AT THE MAXIMUM SOLDER BALL DIAMETER AFTER REFLOW  
PARALLEL TO PRIMARY DATUM [C].
  5. DIMENSION 'ccc' IS MEASURED PARALLEL TO PRIMARY DATUM [C].
  6. PRIMARY DATUM [C] AND SEATING PLANE ARE DEFINED BY THE SPHERICAL  
CROWNS OF THE SOLDER BALLS.
  7. PACKAGE SURFACE SHALL BE MATTE FINISH CHARMILLES 24 TO 27.
  8. SUBSTRATE MATERIAL BASE IS BT RESIN.
  9. THE OVERALL PACKAGE THICKNESS "A" ALREADY CONSIDERS COLLAPSE BALLS
  10. DIMENSIONING AND TOLERANCING PER ASME Y14.5M 1994.
11. EXCEPT DIMENSION b.

| Symbols            | MIN      | NOM   | MAX   |
|--------------------|----------|-------|-------|
| A                  | 1.22     | 1.36  | 1.50  |
| A1                 | 0.29     | 0.34  | 0.39  |
| A3                 | 0.65     | 0.70  | 0.75  |
| c                  | 0.28     | 0.32  | 0.36  |
| D                  | 9.85     | 10.00 | 10.15 |
| D1                 | 8.80 BSC |       |       |
| E                  | 9.85     | 10.00 | 10.15 |
| E1                 | 8.80 BSC |       |       |
| b                  | 0.43     | 0.48  | 0.53  |
| bbb                | .20      |       |       |
| ddd                | .12      |       |       |
| e                  | 0.80 BSC |       |       |
| f                  | -        | 0.60  | -     |
| M                  | 12       |       |       |
| n                  | 108      |       |       |
| REF: JEDEC MO-219F |          |       |       |

## IMPORTANT NOTICE

Texas Instruments Incorporated and its subsidiaries (TI) reserve the right to make corrections, modifications, enhancements, improvements, and other changes to its products and services at any time and to discontinue any product or service without notice. Customers should obtain the latest relevant information before placing orders and should verify that such information is current and complete. All products are sold subject to TI's terms and conditions of sale supplied at the time of order acknowledgment.

TI warrants performance of its hardware products to the specifications applicable at the time of sale in accordance with TI's standard warranty. Testing and other quality control techniques are used to the extent TI deems necessary to support this warranty. Except where mandated by government requirements, testing of all parameters of each product is not necessarily performed.

TI assumes no liability for applications assistance or customer product design. Customers are responsible for their products and applications using TI components. To minimize the risks associated with customer products and applications, customers should provide adequate design and operating safeguards.

TI does not warrant or represent that any license, either express or implied, is granted under any TI patent right, copyright, mask work right, or other TI intellectual property right relating to any combination, machine, or process in which TI products or services are used. Information published by TI regarding third-party products or services does not constitute a license from TI to use such products or services or a warranty or endorsement thereof. Use of such information may require a license from a third party under the patents or other intellectual property of the third party, or a license from TI under the patents or other intellectual property of TI.

Reproduction of TI information in TI data books or data sheets is permissible only if reproduction is without alteration and is accompanied by all associated warranties, conditions, limitations, and notices. Reproduction of this information with alteration is an unfair and deceptive business practice. TI is not responsible or liable for such altered documentation. Information of third parties may be subject to additional restrictions.

Resale of TI products or services with statements different from or beyond the parameters stated by TI for that product or service voids all express and any implied warranties for the associated TI product or service and is an unfair and deceptive business practice. TI is not responsible or liable for any such statements.

TI products are not authorized for use in safety-critical applications (such as life support) where a failure of the TI product would reasonably be expected to cause severe personal injury or death, unless officers of the parties have executed an agreement specifically governing such use. Buyers represent that they have all necessary expertise in the safety and regulatory ramifications of their applications, and acknowledge and agree that they are solely responsible for all legal, regulatory and safety-related requirements concerning their products and any use of TI products in such safety-critical applications, notwithstanding any applications-related information or support that may be provided by TI. Further, Buyers must fully indemnify TI and its representatives against any damages arising out of the use of TI products in such safety-critical applications.

TI products are neither designed nor intended for use in military/aerospace applications or environments unless the TI products are specifically designated by TI as military-grade or "enhanced plastic." Only products designated by TI as military-grade meet military specifications. Buyers acknowledge and agree that any such use of TI products which TI has not designated as military-grade is solely at the Buyer's risk, and that they are solely responsible for compliance with all legal and regulatory requirements in connection with such use.

TI products are neither designed nor intended for use in automotive applications or environments unless the specific TI products are designated by TI as compliant with ISO/TS 16949 requirements. Buyers acknowledge and agree that, if they use any non-designated products in automotive applications, TI will not be responsible for any failure to meet such requirements.

Following are URLs where you can obtain information on other Texas Instruments products and application solutions:

| <b>Products</b>             |  | <b>Applications</b>        |  |
|-----------------------------|--|----------------------------|--|
| Amplifiers                  | <a href="http://amplifier.ti.com">amplifier.ti.com</a>             | Audio                      | <a href="http://www.ti.com/audio">www.ti.com/audio</a>                                   |
| Data Converters             | <a href="http://dataconverter.ti.com">dataconverter.ti.com</a>     | Automotive                 | <a href="http://www.ti.com/automotive">www.ti.com/automotive</a>                         |
| DLP® Products               | <a href="http://www.dlp.com">www.dlp.com</a>                       | Communications and Telecom | <a href="http://www.ti.com/communications">www.ti.com/communications</a>                 |
| DSP                         | <a href="http://dsp.ti.com">dsp.ti.com</a>                         | Computers and Peripherals  | <a href="http://www.ti.com/computers">www.ti.com/computers</a>                           |
| Clocks and Timers           | <a href="http://www.ti.com/clocks">www.ti.com/clocks</a>           | Consumer Electronics       | <a href="http://www.ti.com/consumer-apps">www.ti.com/consumer-apps</a>                   |
| Interface                   | <a href="http://interface.ti.com">interface.ti.com</a>             | Energy                     | <a href="http://www.ti.com/energy">www.ti.com/energy</a>                                 |
| Logic                       | <a href="http://logic.ti.com">logic.ti.com</a>                     | Industrial                 | <a href="http://www.ti.com/industrial">www.ti.com/industrial</a>                         |
| Power Mgmt                  | <a href="http://power.ti.com">power.ti.com</a>                     | Medical                    | <a href="http://www.ti.com/medical">www.ti.com/medical</a>                               |
| Microcontrollers            | <a href="http://microcontroller.ti.com">microcontroller.ti.com</a> | Security                   | <a href="http://www.ti.com/security">www.ti.com/security</a>                             |
| RFID                        | <a href="http://www.ti-rfid.com">www.ti-rfid.com</a>               | Space, Avionics & Defense  | <a href="http://www.ti.com/space-avionics-defense">www.ti.com/space-avionics-defense</a> |
| RF/IF and ZigBee® Solutions | <a href="http://www.ti.com/lprf">www.ti.com/lprf</a>               | Video and Imaging          | <a href="http://www.ti.com/video">www.ti.com/video</a>                                   |
|                             |  | Wireless                   | <a href="http://www.ti.com/wireless-apps">www.ti.com/wireless-apps</a>                   |

Mailing Address: Texas Instruments, Post Office Box 655303, Dallas, Texas 75265  
Copyright © 2010, Texas Instruments Incorporated