

# LM25085

## 42V Constant On-Time PFET Buck Switching Controller

### General Description

The LM25085 is a high efficiency PFET switching regulator controller that can be used to quickly and easily develop a small, efficient buck regulator for a wide range of applications. This high voltage controller contains a PFET gate driver and a high voltage bias regulator which operates over a wide 4.5V to 42V input range. The constant on-time regulation principle requires no loop compensation, simplifies circuit implementation, and results in ultra-fast load transient response. The operating frequency remains nearly constant with line and load variations due to the inverse relationship between the input voltage and the on-time. The PFET architecture allows 100% duty cycle operation for a low dropout voltage. Either the  $R_{DS(ON)}$  of the PFET or an external sense resistor can be used to sense current for over-current detection.

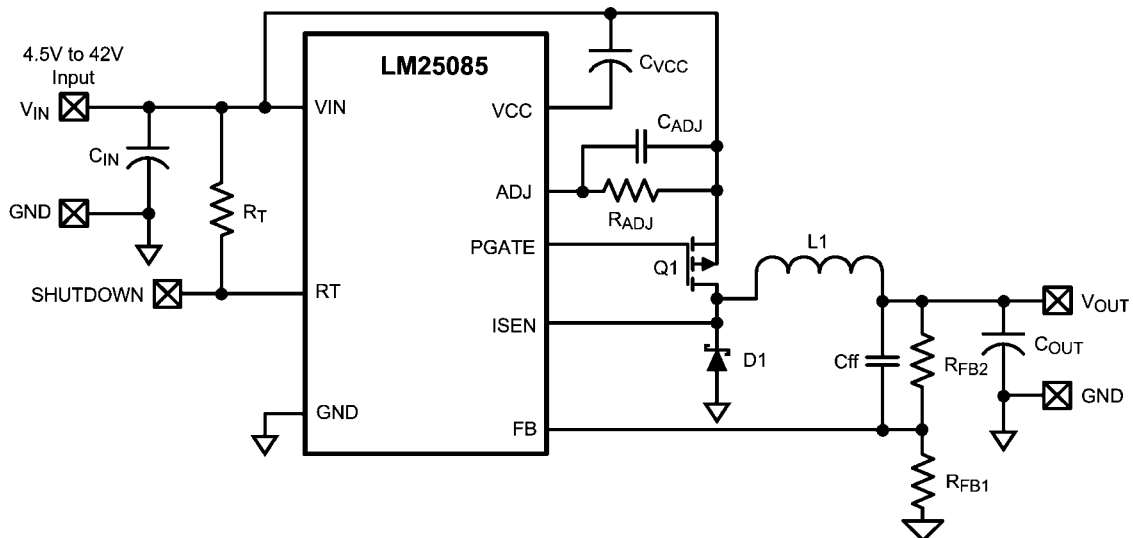
### Features

- LM25085Q is an Automotive Grade product that is AEC-Q100 grade 1 qualified (-40°C to 125°C operating junction temperature)
- Wide 4.5V to 42V input voltage range
- Adjustable current limit using  $R_{DS(ON)}$  or a current sense resistor
- Programmable switching frequency to 1MHz
- No loop compensation required
- Ultra-Fast transient response
- Nearly constant operating frequency with line and load variations
- Adjustable output voltage from 1.25V
- Precision  $\pm 2\%$  feedback reference
- Capable of 100% duty cycle operation
- Internal soft-start timer
- Integrated high voltage bias regulator
- Thermal shutdown

### Package

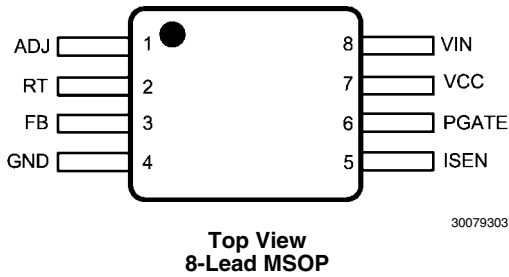
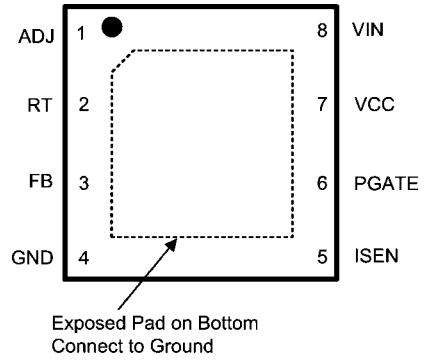
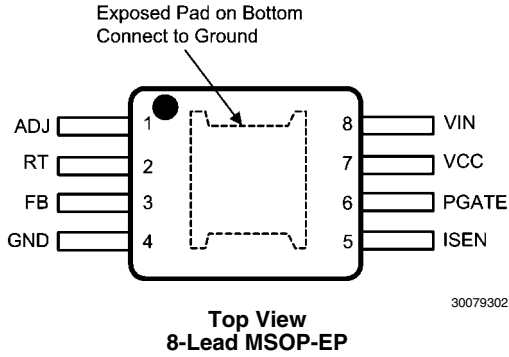
- MSOP-8EP
- MSOP-8
- LLP-8 (3 mm x 3 mm)

### Typical Application, Basic Step Down Controller



30079301

## Connection Diagrams



## Ordering Information

Order Number	Package Type	NSC Package Drawing	Junction Temperature Range	Supplied As	Feature
LM25085QMYE	MSOP-8EP	MUY08A	-40°C to +125°C	250 units on tape and reel	AEC-Q100 Grade 1 qualified. Automotive Grade Production Flow*
LM25085QMY	MSOP-8EP	MUY08A		1000 units on tape and reel	
LM25085QMYX	MSOP-8EP	MUY08A		3500 units on tape and reel	
LM25085MYE	MSOP-8EP	MUY08A	-40°C to +125°C	250 units on tape and reel	
LM25085MY	MSOP-8EP	MUY08A		1000 units on tape and reel	
LM25085MYX	MSOP-8EP	MUY08A		3500 units on tape and reel	
LM25085MME	MSOP-8	MUA08A		250 units on tape and reel	
LM25085MM	MSOP-8	MUA08A		1000 units on tape and reel	
LM25085MMX	MSOP-8	MUA08A		3500 units on tape and reel	
LM25085SDE	LLP-8	SDA08A		250 units on tape and reel	
LM25085SD	LLP-8	SDA08A		1000 units on tape and reel	
LM25085SDX	LLP-8	SDA08A		4500 units on tape and reel	

\*Automotive Grade (Q) product incorporates enhanced manufacturing and support processes for the automotive market, including defect detection methodologies. Reliability qualification is compliant with the requirements and temperature grades defined in the AEC-Q100 standard. Automotive grade products are identified with the letter Q. For more information go to <http://www.national.com/automotive>.

## Pin Descriptions

Pin No.	Name	Description	Application Information
1	ADJ	Current Limit Adjust	The current limit threshold is set by an external resistor from VIN to ADJ in conjunction with the external sense resistor or the PFET's $R_{DS(ON)}$ .
2	RT	On-time control and shutdown	An external resistor from VIN to RT sets the buck switch on-time and switching frequency. Grounding this pin shuts down the controller.
3	FB	Voltage Feedback from the regulated output	Input to the regulation and over-voltage comparators. The regulation level is 1.25V.
4	GND	Circuit Ground	Ground reference for all internal circuitry
5	ISEN	Current sense input for current limit detection.	Connect to the PFET drain when using $R_{DS(ON)}$ current sense. Connect to the PFET source and the sense resistor when using a current sense resistor.
6	PGATE	Gate Driver Output	Connect to the gate of the external PFET.
7	VCC	Output of the gate driver bias regulator	Output of the negative voltage regulator (relative to VIN) that biases the PFET gate driver. A low ESR capacitor is required from VIN to VCC, located as close as possible to the pins.
8	VIN	Input supply voltage	The operating input range is from 4.5V to 42V. A low ESR bypass capacitor must be located as close as possible to the VIN and GND pins.
	EP	Exposed Pad	Exposed pad on the underside of the package (MSOP-8EP and LLP only). This pad is to be soldered to the PC board ground plane to aid in heat dissipation.

## Absolute Maximum Ratings *(Note 1)*

If Military/Aerospace specified devices are required, please contact the National Semiconductor Sales Office/Distributors for availability and specifications.

VIN to GND	-0.3V to 45V
ISEN to GND	-0.3V to $V_{IN} + 0.3V$
ADJ to GND	-0.3V to $V_{IN} + 0.3V$
RT, FB to GND	-0.3V to 7V

VIN to VCC, VIN to PGATE	-0.3V to 10V
ESD Rating <i>(Note 2)</i>	
Human Body Model	2kV
Storage Temperature Range	-65°C to +150°C

## Operating Ratings *(Note 1)*

VIN Voltage	4.5V to 42V
Junction Temperature	-40°C to +125°C

**Electrical Characteristics** Limits in standard type are for  $T_J = 25^\circ\text{C}$  only; limits in **boldface** type apply over the junction temperature ( $T_J$ ) range of -40°C to +125°C. Minimum and Maximum limits are guaranteed through test, design, or statistical correlation. Typical values represent the most likely parametric norm at  $T_J = 25^\circ\text{C}$ , and are provided for reference purposes only. Unless otherwise stated the following conditions apply:  $V_{IN} = 24V$ ,  $R_T = 100\text{ k}\Omega$ .

Symbol	Parameter	Conditions	Min	Typ	Max	Units
<b>VIN Pin</b>						
$I_{IN}$	Operating current	Non-switching, FB = 1.4V <i>(Note 6)</i>		1.25	<b>1.75</b>	mA
$I_Q$	Shutdown current	RT = 0V <i>(Note 6)</i>		175	<b>300</b>	$\mu\text{A}$
<b>VCC Regulator (Note 3)</b>						
$V_{CC(\text{reg})}$	VIN - VCC	Vin = 9V, FB = 1.4V, ICC = 0 mA	<b>6.9</b>	7.7	<b>8.5</b>	V
		Vin = 9V, FB = 1.4V, ICC = 20 mA		7.7		V
		Vin = 42V, FB = 1.4V, ICC = 0 mA		7.7		V
$UVLO_{VCC}$	VCC under-voltage lock-out threshold	VCC increasing		3.8		V
		UVLO <sub>VCC</sub> hysteresis	VCC decreasing		260	mV
$V_{CC(\text{CL})}$	VCC Current Limit	FB = 1.4V	<b>20</b>	40		mA
<b>PGATE Pin</b>						
$V_{PGATE(\text{HI})}$	PGATE High voltage	PGATE Pin = Open	<b><math>V_{IN} - 0.1</math></b>	$V_{IN}$		V
$V_{PGATE(\text{LO})}$	PGATE Low voltage	PGATE Pin = Open		$V_{CC}$	<b><math>V_{CC} + 0.1</math></b>	V
$V_{PGATE(\text{HI})4.5}$	PGATE High Voltage at Vin = 4.5V	PGATE Pin = Open	<b><math>V_{IN} - 0.1</math></b>	$V_{IN}$		V
$V_{PGATE(\text{LO})4.5}$	PGATE Low Voltage at Vin = 4.5V	PGATE Pin = Open		$V_{CC}$	<b><math>V_{CC} + 0.1</math></b>	V
$I_{PGATE}$	Driver Output Source Current	VIN = 12V, PGATE = VIN - 3.5V		1.75		A
	Driver Output Sink Current	VIN = 12V, PGATE = VIN - 3.5V		1.5		A
$R_{PGATE}$	Driver Output Resistance	Source current = 500 mA		2.3		$\Omega$
		Sink current = 500 mA		2.3		$\Omega$
<b>Current Limit Detection</b>						
$I_{ADJ}$	ADJUST pin current source	$V_{ADJ} = 22.5V$	<b>32</b>	40	<b>48</b>	$\mu\text{A}$
$V_{CL\text{ OFFSET}}$	Current limit comparator offset	$V_{ADJ} = 22.5V$ , $V_{ADJ} - V_{ISEN}$	<b>-9</b>	0	<b>9</b>	mV
<b>RT Pin</b>						
$RT_{SD}$	Shutdown threshold	RT Pin voltage rising		0.73		V
$RT_{HYS}$	Shutdown threshold hysteresis			50		mV
<b>On-Time</b>						
$t_{ON-1}$	On-time	VIN = 4.5V, $R_T = 100\text{ k}\Omega$	<b>3.5</b>	5	<b>7.15</b>	$\mu\text{s}$
$t_{ON-2}$		VIN = 24V, $R_T = 100\text{ k}\Omega$	<b>560</b>	720	<b>870</b>	ns
$t_{ON-3}$		VIN = 42V, $R_T = 100\text{ k}\Omega$	<b>329</b>	415	<b>500</b>	ns
$t_{ON-4}$	Minimum on-time in current limit <i>(Note 7)</i>	VIN = 24V, 25 mV overdrive at ISEN	<b>55</b>	140	<b>235</b>	ns

Symbol	Parameter	Conditions	Min	Typ	Max	Units
<b>Off-Time</b>						
$t_{\text{OFF(CL1)}}$	Off-time (current limit) ( <i>Note 7</i> )	VIN = 12V, V <sub>FB</sub> = 0V	<b>5.35</b>	7.9	<b>10.84</b>	μs
$t_{\text{OFF(CL2)}}$		VIN = 12V, V <sub>FB</sub> = 1V	<b>1.42</b>	1.9	<b>3.03</b>	μs
$t_{\text{OFF(CL3)}}$		VIN = 24V, V <sub>FB</sub> = 0V	<b>8.9</b>	13	<b>17.7</b>	μs
$t_{\text{OFF(CL4)}}$		VIN = 24V, V <sub>FB</sub> = 1V	<b>2.22</b>	3.2	<b>4.68</b>	μs
<b>Regulation and Over-Voltage Comparators (FB Pin)</b>						
V <sub>REF</sub>	FB regulation threshold		<b>1.225</b>	1.25	<b>1.275</b>	V
V <sub>OV</sub>	FB over-voltage threshold	Measured with respect to V <sub>REF</sub>		350		mV
I <sub>FB</sub>	FB bias current			10		nA
<b>Soft-Start Function</b>						
t <sub>SS</sub>	Soft-start time		<b>1.4</b>	2.5	<b>4.3</b>	ms
<b>Thermal Shutdown</b>						
T <sub>SD</sub>	Junction shutdown temperature	Junction temperature rising		170		°C
T <sub>HYS</sub>	Junction shutdown hysteresis			20		°C
<b>Thermal Resistance</b>						
θ <sub>JA</sub>	Junction to ambient, 0 LFPM air flow ( <i>Note 5</i> )	MSOP-8 package		126		°C/W
		MSOP-8EP package		46		
		LLP-8 package		54		
θ <sub>JC</sub>	Junction to case, 0 LFPM air flow ( <i>Note 5</i> )	MSOP-8 package		29		°C/W
		MSOP-8EP package		5.5		
		LLP-8 package		9.1		

**Note 1:** Absolute Maximum Ratings are limits beyond which damage to the device may occur. Operating Ratings are conditions under which operation of the device is intended to be functional. For guaranteed specifications and test conditions, see the Electrical Characteristics.

**Note 2:** The human body model is a 100 pF capacitor discharged through a 1.5 kΩ resistor into each pin.

**Note 3:** V<sub>CC</sub> provides self bias for the internal gate drive.

**Note 4:** For detailed information on soldering plastic MSOP and LLP packages refer to the Packaging Data Book available from National Semiconductor Corporation.

**Note 5:** Tested on a 4 layer JEDEC board. Four vias provided under the exposed pad. See JEDEC standards JESD51-5 and JESD51-7.

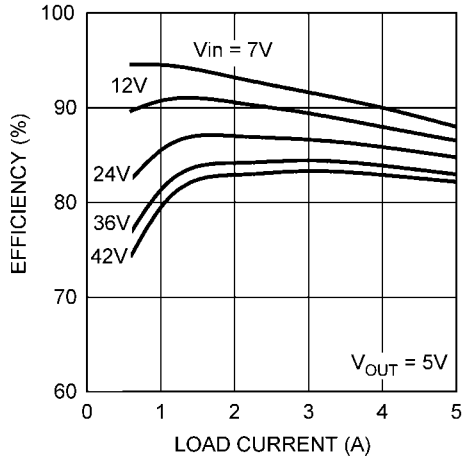
**Note 6:** Operating current and shutdown current do not include the current in the R<sub>T</sub> resistor.

**Note 7:** The tolerance of the minimum on-time (t<sub>ON-4</sub>) and the current limit off-times (t<sub>OFF(CL1)</sub> through (t<sub>OFF(CL4)</sub>) track each other over process and temperature variations. A device which has an on-time at the high end of the range will have an off-time that is at the high end of its range.

## Typical Performance Characteristics

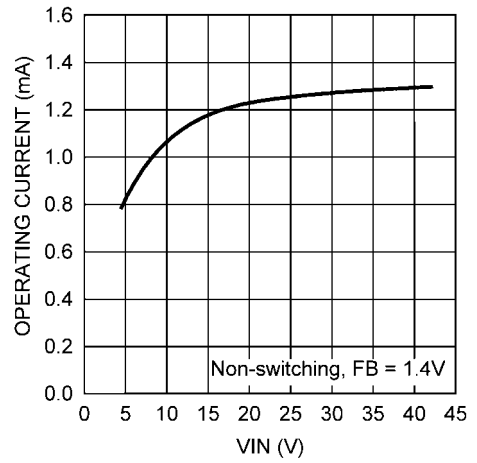
Unless otherwise specified the following conditions apply:  $T_J = 25^\circ\text{C}$ ,  $V_{IN} = 24\text{V}$ .

Efficiency (Circuit of Figure 4)



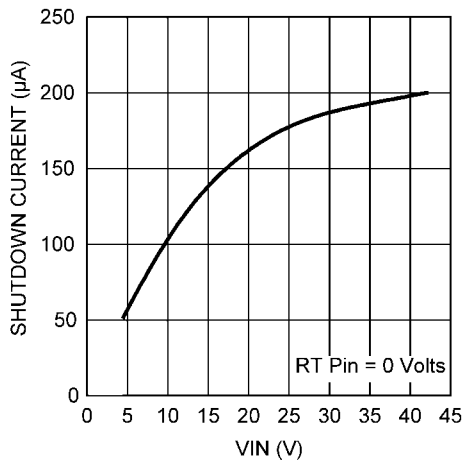
30079305

Input Operating Current vs.  $V_{IN}$



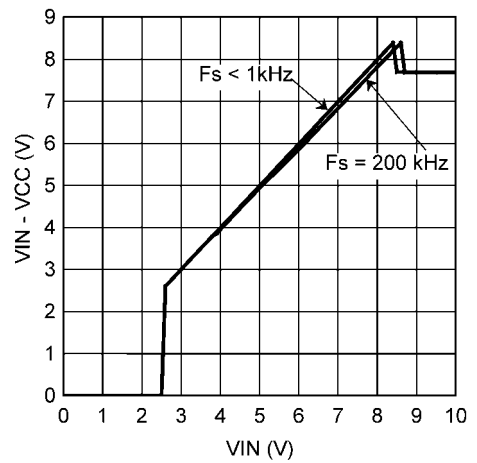
30079306

Shutdown Current vs.  $V_{IN}$



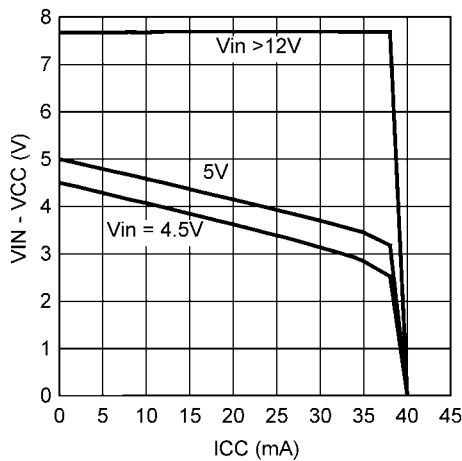
30079307

$V_{CC}$  vs.  $V_{IN}$



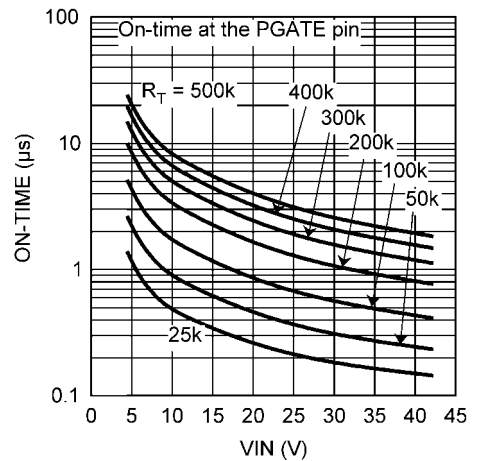
30079308

$V_{CC}$  vs.  $I_{CC}$

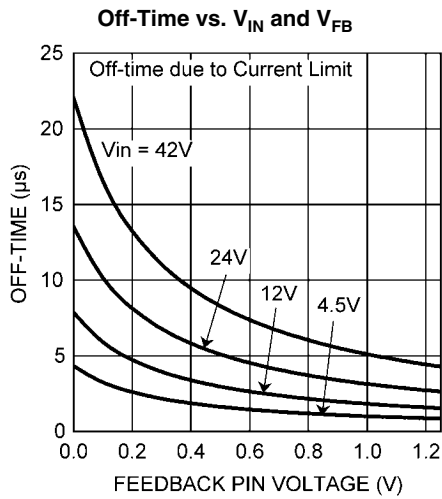


30079309

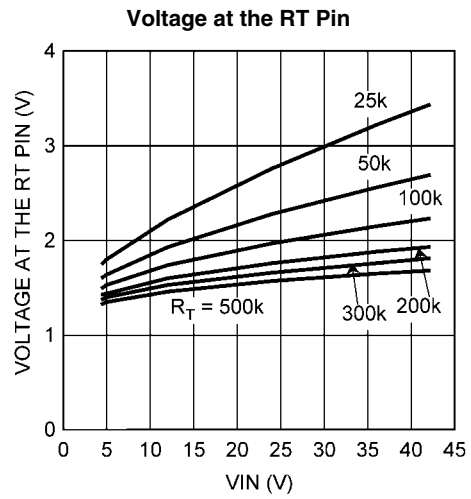
On-Time vs.  $R_T$  and  $V_{IN}$



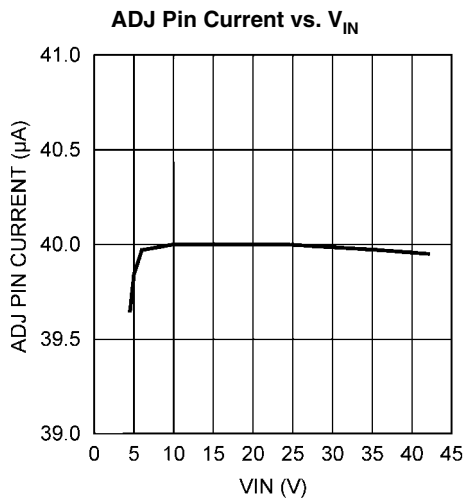
30079311



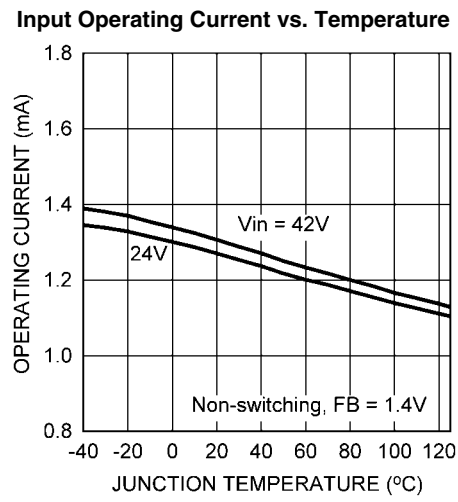
30079312



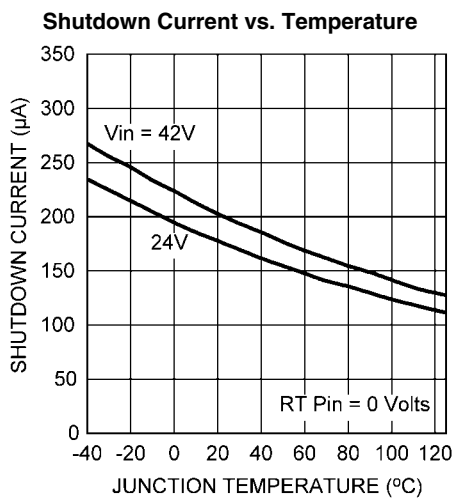
30079313



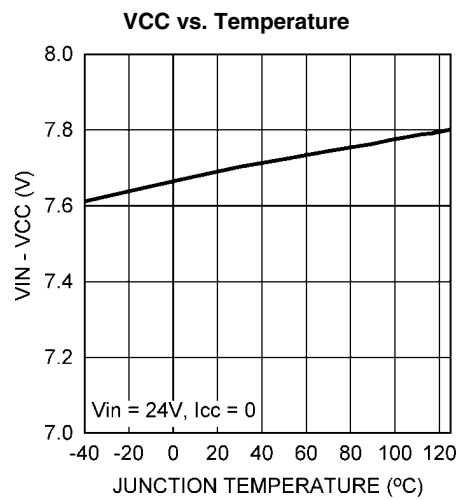
30079317



30079318

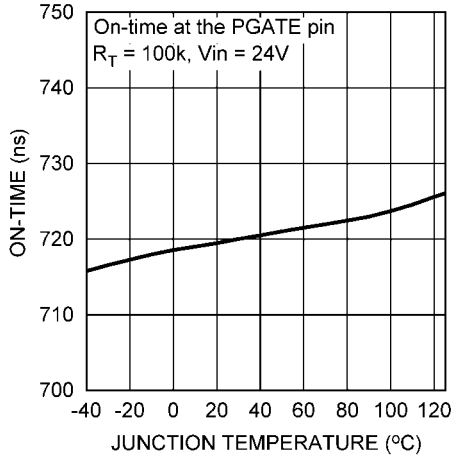


30079352



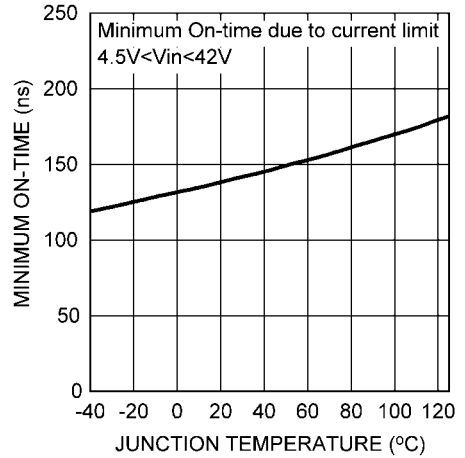
30079353

**On-Time vs. Temperature**



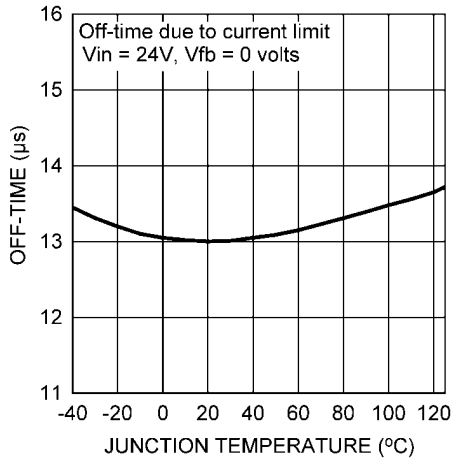
30079354

**Minimum On-Time vs. Temperature**



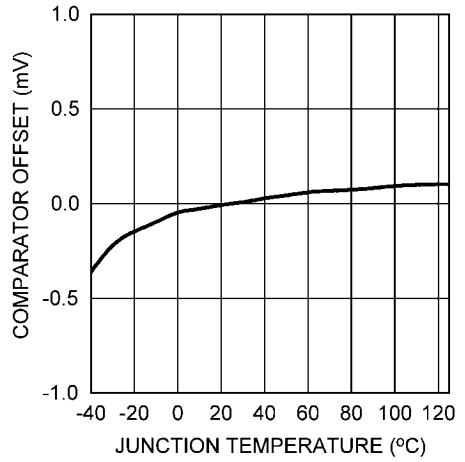
30079355

**Off-Time vs. Temperature**



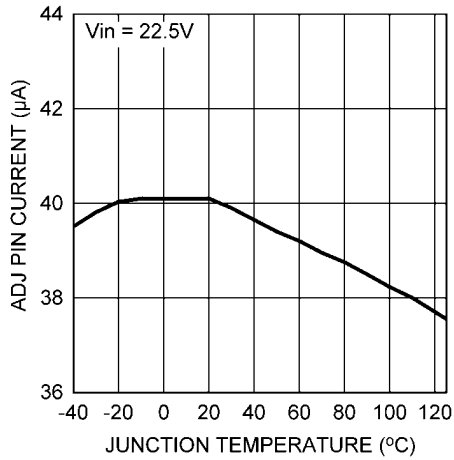
30079356

**Current Limit Comparator Offset vs. Temperature**



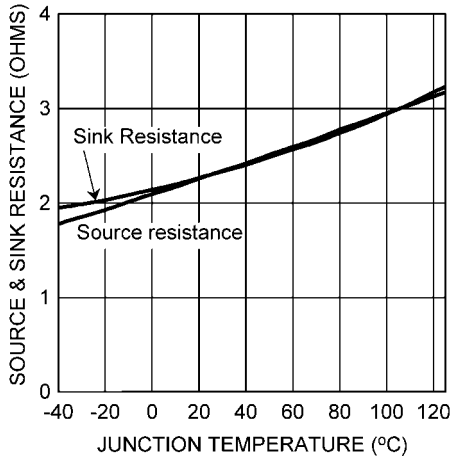
30079357

**ADJ Pin Current vs. Temperature**



30079314

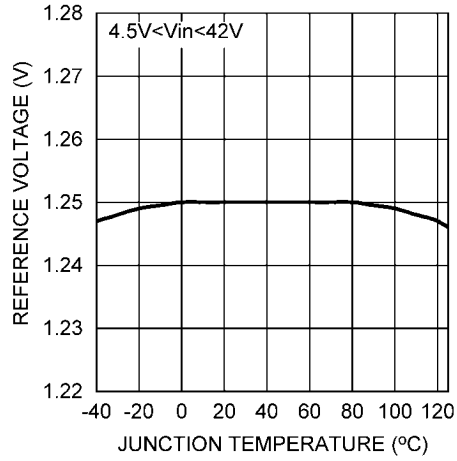
**PGATE Driver Output Resistance vs. Temperature**



30079310

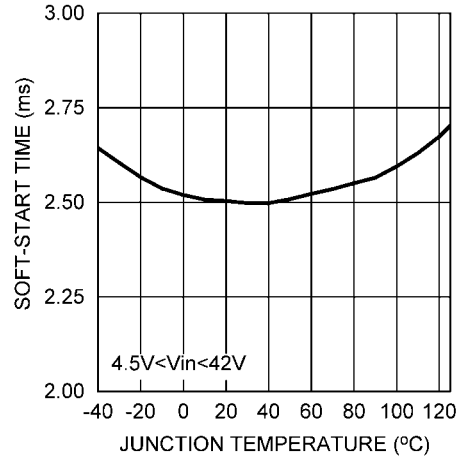


**Feedback Reference Voltage vs. Temperature**



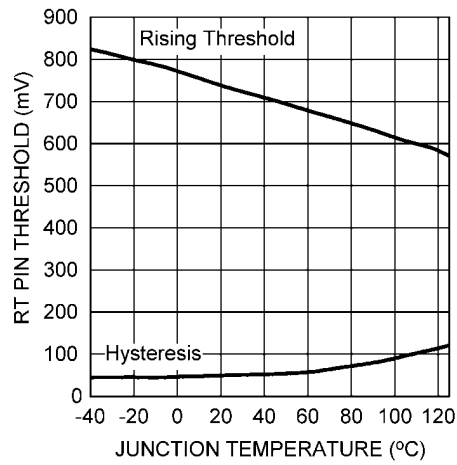
30079315

**Soft-Start Time vs. Temperature**



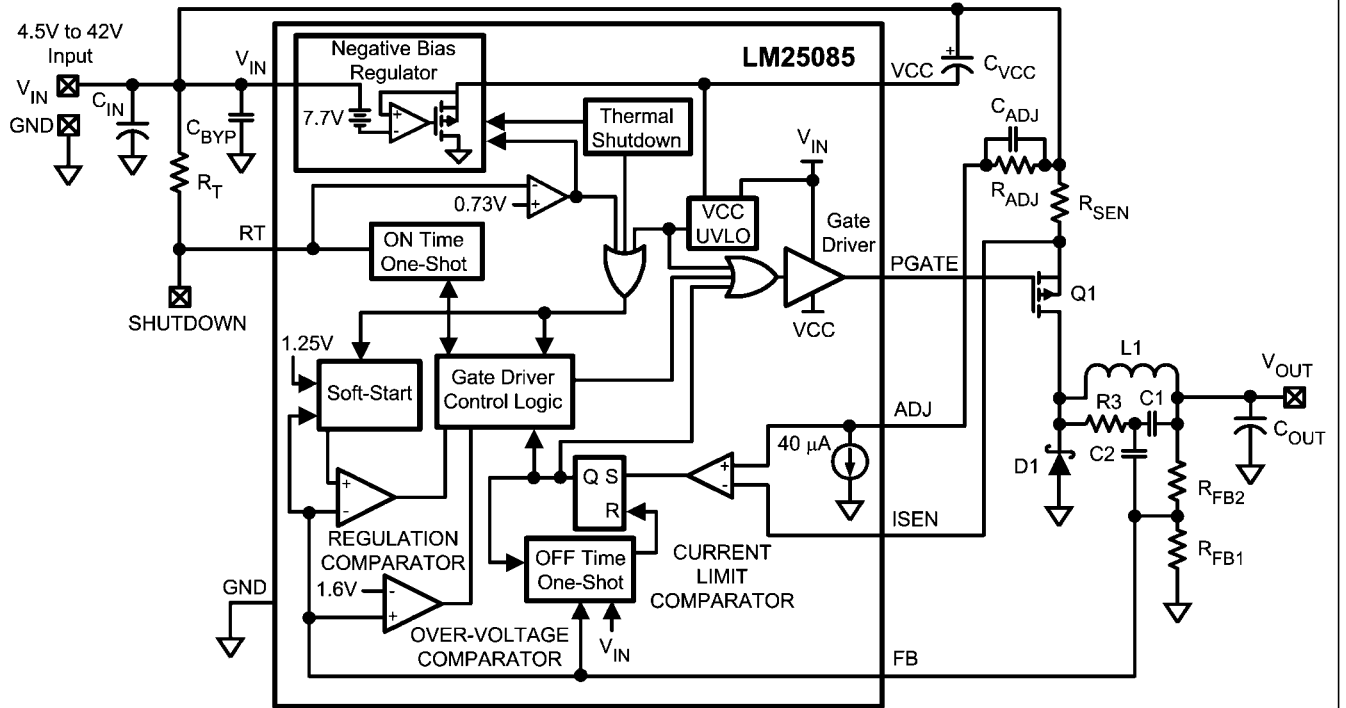
30079316

**RT Pin Shutdown Threshold vs. Temperature**



30079358

# Block Diagram



Sense resistor method shown for current limit detection.  
 Minimum output ripple configuration shown.

30079319

## Functional Description

### OVERVIEW

The LM25085 is a PFET buck (step-down) DC-DC controller using the constant on-time (COT) control principle. The input operating voltage range of the LM25085 is 4.5V to 42V. The use of a PFET in a buck regulator greatly simplifies the gate drive requirements and allows for 100% duty cycle operation to extend the regulation range when operating at low input voltage. However, PFET transistors typically have higher on-resistance and gate charge when compared to similarly rated NFET transistors. Consideration of available PFETs, input voltage range, gate drive capability of the LM25085, and thermal resistances indicate an upper limit of 10A for the load current for LM25085 applications. Constant on-time control is implemented using an on-time one-shot that is triggered by the feedback signal. During the off-time, when the PFET (Q1) is off, the load current is supplied by the inductor and the output capacitor. As the output voltage falls, the voltage at the feedback comparator input (FB) falls below the regulation threshold. When this occurs Q1 is turned on for the one-shot period which is determined by the input voltage ( $V_{IN}$ ) and the  $R_T$  resistor. During the on-time the increasing inductor current increases the voltage at FB above the feedback comparator threshold. For a buck regulator the basic relationship between the on-time, off-time, input voltage and output voltage is:

$$\text{Duty Cycle} = \frac{V_{OUT}}{V_{IN}} = \frac{t_{ON}}{t_{ON} + t_{OFF}} = t_{ON} \times F_S \quad (1)$$

where  $F_S$  is the switching frequency. Equation 1 is valid only in continuous conduction mode (inductor current does not reach zero). Since the LM25085 controls the on-time inversely proportional to  $V_{IN}$ , the switching frequency remains relatively constant as  $V_{IN}$  is varied. If the input voltage falls to a level that is equal to or less than the regulated output voltage Q1 is held on continuously (100% duty cycle) and  $V_{OUT}$  is approximately equal to  $V_{IN}$ .

The COT control scheme, with the feedback signal applied to a comparator rather than an error amplifier, requires no loop compensation, resulting in very fast load transient response. The LM25085 is available in both an 8 pin MSOP package and an 8 pin LLP package with an exposed pad to aid in heat dissipation. An 8 pin MSOP package without an exposed pad is also available.

### REGULATION CONTROL CIRCUIT

The LM25085 buck DC-DC controller employs a control scheme based on a comparator and a one-shot on-timer, with the output voltage feedback compared to an internal reference voltage (1.25V). When the FB pin voltage falls below the feedback reference, Q1 is switched on for a time period determined by the input voltage and a programming resistor ( $R_T$ ). Following the on-time Q1 remains off until the FB voltage falls below the reference. Q1 is then switched on for another on-time period. The output voltage is set by the feedback resistors ( $R_{FB1}$ ,  $R_{FB2}$  in the Block Diagram). The regulated output voltage is calculated as follows:

$$V_{OUT} = 1.25V \times (R_{FB2} + R_{FB1}) / R_{FB1} \quad (2)$$

The feedback voltage supplied to the FB pin is applied to a comparator rather than a linear amplifier. For proper operation sufficient ripple amplitude is necessary at the FB pin to switch the comparator at regular intervals with minimum delay and noise susceptibility. This ripple is normally obtained from the output voltage ripple attenuated through the feedback re-

sistors. The output voltage ripple is a result of the inductor's ripple current passing through the output capacitor's ESR, or through a resistor in series with the output capacitor. Multiple methods are available to ensure sufficient ripple is supplied to the FB pin, and three different configurations are discussed in the Applications Information section.

When in regulation, the LM25085 operates in continuous conduction mode at medium to heavy load currents and discontinuous conduction mode at light load currents. In continuous conduction mode the inductor's current is always greater than zero, and the operating frequency remains relatively constant with load and line variations. The minimum load current for continuous conduction mode is one-half the inductor's ripple current amplitude. In discontinuous conduction mode, where the inductor's current reaches zero during the off-time, the operating frequency is lower than in continuous conduction mode and varies with load current. Conversion efficiency is maintained at light loads since the switching losses are reduced with the reduction in load and frequency.

If the voltage at the FB pin exceeds 1.6V due to a transient overshoot or excessive ripple at  $V_{OUT}$  the internal over-voltage comparator immediately switches off Q1. The next on-time period starts when the voltage at FB falls below the feedback reference voltage.

### ON-TIME TIMER

The on-time of the PFET gate drive output (PGATE pin) is determined by the resistor ( $R_T$ ) and the input voltage ( $V_{IN}$ ), and is calculated from:

$$t_{ON} = \frac{1.45 \times 10^{-7} \times (R_T + 1.4)}{(V_{IN} - 1.56V + R_T/3167)} + 50 \text{ ns} \quad (3)$$

where  $R_T$  is in  $k\Omega$ .

The minimum on-time, which occurs at maximum  $V_{IN}$ , should not be set less than 150 ns (see Current Limiting section). The buck regulator effective on-time, measured at the SW node (junction of Q1, L1, and D1) is typically longer than that calculated in Equation 3 due to the asymmetric delay of the PFET. The on-time difference caused by the PFET switching delay can be estimated as the difference of the turn-off and turn-on delays listed in the PFET data sheet. Measuring the difference between the on-time at the PGATE pin versus the SW node in the actual application circuit is also recommended.

In continuous conduction mode, the inverse relationship of  $t_{ON}$  with  $V_{IN}$  results in a nearly constant switching frequency as  $V_{IN}$  is varied. The operating frequency can be calculated from:

$$F_S = \frac{V_{OUT} \times (V_{IN} - 1.56V + R_T/3167)}{V_{IN} \times [(1.45 \times 10^{-7} \times (R_T + 1.4)) + (t_D \times (V_{IN} - 1.56V + R_T/3167))]} \quad (4)$$

where  $R_T$  is in  $k\Omega$ , and  $t_D$  is equal to 50 ns plus the PFET's delay difference. To set a specific continuous conduction mode switching frequency ( $F_S$ ), the  $R_T$  resistor is determined from the following:

$$R_T = \frac{V_{OUT} \times (V_{IN} - 1.56V)}{1.45 \times 10^{-7} \times V_{IN} \times F_S} - \frac{t_D \times (V_{IN} - 1.56V)}{1.45 \times 10^{-7}} - 1.4 \quad (5)$$

where  $R_T$  is in  $k\Omega$ . A simplified version of Equation 5 at  $V_{IN} = 12V$ , and  $t_D = 100 \text{ ns}$ , is:

$$R_T = \frac{V_{OUT} \times 6 \times 10^6}{F_S} - 8.6$$

For  $V_{IN} = 42V$  and  $t_D = 100$  ns, the simplified equation is:

$$R_T = \frac{V_{OUT} \times 6.64 \times 10^6}{F_S} - 29.3$$

### SHUTDOWN

The LM25085 can be shutdown by grounding the RT pin (see Figure 1). In this mode the PFET is held off, and the VCC regulator is disabled. The internal operating current is reduced to the value shown in the graph "Shutdown current vs. VIN". The shutdown threshold at the RT pin is  $\approx 0.73V$ , with  $\approx 50$  mV of hysteresis. Releasing the pin enables normal operation. The RT pin must not be forced high during normal operation.

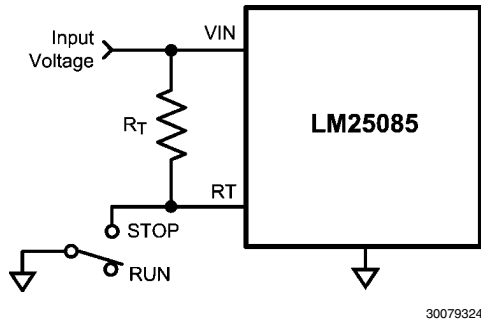


FIGURE 1. Shutdown Implementation

### CURRENT LIMITING

The LM25085 current limiting operates by sensing the voltage across either the  $R_{DS(ON)}$  of Q1, or a sense resistor, during the on-time and comparing it to the voltage across the resistor  $R_{ADJ}$  (see Figure 2). The current limit function is much more accurate and stable over temperature when a sense resistor is used. The  $R_{DS(ON)}$  of a MOSFET has a wide process variation and a large temperature coefficient.

If the voltage across  $R_{DS(ON)}$  of Q1, or the sense resistor, is greater than the voltage across  $R_{ADJ}$ , the current limit comparator switches to turn off Q1. Current sensing is disabled for a blanking time of  $\approx 100$  ns at the beginning of the on-time to prevent false triggering of the current limit comparator due to leading edge current spikes. Because of the blanking time and the turn-on and turn-off delays created by the PFET, the on-time at the PGATE pin should not be set less than 150 ns. An on-time shorter than that may prevent the current limit detection circuit from properly detecting an over-current condition. The duration of the subsequent forced off-time is a function of the input voltage and the voltage at the FB pin, as shown in the graph "Off-time vs.  $V_{IN}$  and  $V_{FB}$ ". The longer-than-normal forced off-time allows the inductor current to decrease to a low level before the next on-time. This cycle-by-cycle monitoring, followed by a forced off-time, provides effective protection from output load faults over a wide range of operating conditions.

The voltage across the  $R_{ADJ}$  resistor is set by an internal 40  $\mu A$  current sink at the ADJ pin. When using Q1's  $R_{DS(ON)}$  for sensing, the current at which the current limit comparator switches is calculated from:

$$I_{CL} = 40 \mu A \times R_{ADJ}/R_{DS(ON)} \quad (6)$$

When using a sense resistor ( $R_{SEN}$ ) the threshold of the current limit comparator is calculated from:

$$I_{CL} = 40 \mu A \times R_{ADJ}/R_{SEN} \quad (7)$$

When using equation 6 or 7, the tolerances for the ADJ pin current sink and the offset of the current limit comparator should be included to ensure the resulting minimum current limit is not less than the required maximum switch current. Simultaneously increasing the values of  $R_{ADJ}$  and  $R_{SEN}$  decreases the effects of the current limit comparator offset, but at the expense of higher power dissipation. When using a sense resistor, the  $R_{SEN}$  resistor value should be chosen within the practical limitations of power dissipation and physical size. For example, for a 10A current limit, setting  $R_{SEN} = 0.005\Omega$  results in a power dissipation as high as 0.5W. Current sense connections to the  $R_{SEN}$  resistor, or to Q1, must be Kelvin connections to ensure accuracy.

The  $C_{ADJ}$  capacitor filters noise from the ADJ pin, and helps prevent unintended switching of the current limit comparator due to input voltage transients. The recommended value for  $C_{ADJ}$  is 1000 pF.

### CURRENT LIMIT OFF-TIME

When the current through Q1 exceeds the current limit threshold, the LM25085 forces an off-time longer than the normal off-time defined by Equation 1. See the graph "Off-Time vs.  $V_{IN}$  and  $V_{FB}$ ", or calculate the current limit off-time from the following equation:

$$t_{OFF(CL)} = \frac{4.1 \times 10^{-6} \times ((V_{IN}/31) + 0.15)}{(V_{FB} \times 0.93) + 0.28V} \quad (8)$$

where  $V_{IN}$  is the input voltage, and  $V_{FB}$  is the voltage at the FB pin at the time current limit was detected. This feature is necessary to allow the inductor current to decrease sufficiently to offset the current increase which occurred during the on-time. During the on-time, the inductor current increases an amount equal to:

$$\Delta I = \frac{(V_{IN} - V_{OUT}) \times t_{ON}}{L} \quad (9)$$

During the off-time the inductor current decreases due to the reverse voltage applied across the inductor by the output voltage, the freewheeling diode's forward voltage ( $V_{FD}$ ), and the voltage drop due to the inductor's series resistance ( $V_{ESR}$ ). The current decrease is equal to:

$$\Delta I = \frac{(V_{OUT} + V_{FD} + V_{ESR}) \times t_{OFF}}{L} \quad (10)$$

The on-time in Equation 9 is shorter than the normal on-time since the PFET is shut off when the current limit threshold is crossed. If the off-time is not long enough, such that the current decrease (Equation 10) is less than the current increase (Equation 9), the current levels are higher at the start of the next on-time. This results in a further decrease in on-time, since the current limit threshold is crossed sooner. A balance is reached when the current changes in Equations 9 and 10 are equal. The worst case situation is that of a direct short circuit at the output terminals, where  $V_{OUT} = 0$  volts, as that results in the largest current increase during the on-time, and the smallest decrease during the off-time. The sum of the diode's forward voltage and the inductor's ESR voltage must be sufficient to ensure current runaway does not occur. Using Equations 9 and 10, this requirement can be stated as:

$$V_{FD} + V_{ESR} \geq \frac{V_{IN} \times t_{ON}}{t_{OFF}} \quad (11)$$

For  $t_{ON}$  in Equation 11 use the minimum on-time at the SW node. To determine this time period add the “Minimum on-time in current limit” specified in the Electrical Characteristics ( $t_{ON-4}$ ) to the difference of the turn-off and turn-on delays of the PFET. For  $t_{OFF}$  use the value in the graph “Off-Time vs.  $V_{IN}$  and  $V_{FB}$ ”, or use Equation 8, where  $V_{FB}$  is equal to zero volts. When using the minimum or maximum limits of those

specifications to determine worst case situations, the tolerance of the minimum on-time ( $t_{ON-4}$ ) and the current limit off-times ( $t_{OFF(CL1)}$  through  $t_{OFF(CL4)}$ ) track each other over the process and temperature variations. A device which has an on-time at the high end of the range will have an off-time that is at the high end of its range.

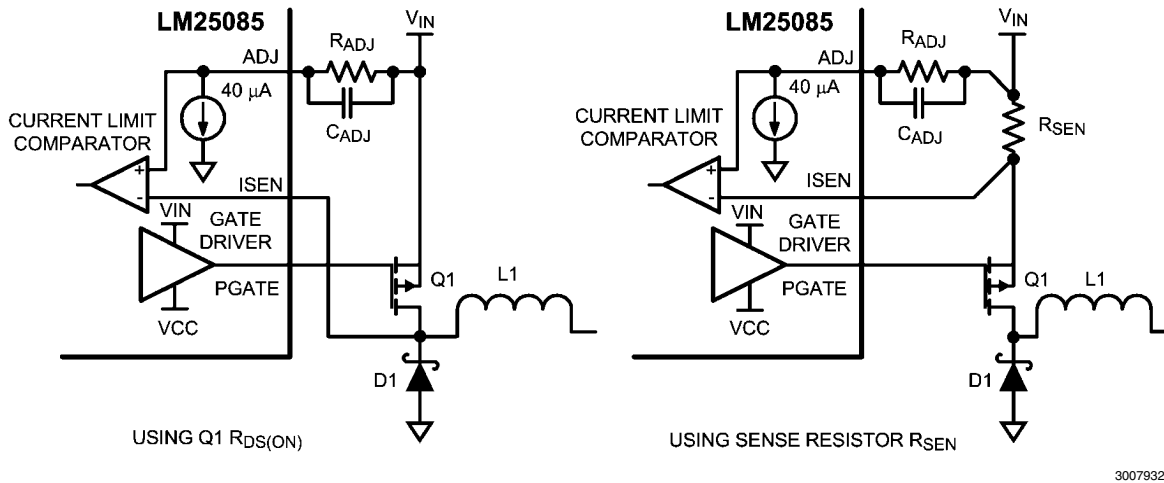


FIGURE 2. Current Limit Sensing

### VCC REGULATOR

The VCC regulator provides a regulated voltage between the  $V_{IN}$  and the VCC pins to provide the bias and gate current for the PFET gate driver. The  $0.47 \mu\text{F}$  capacitor at the VCC pin must be a low ESR capacitor, preferably ceramic as it provides the high surge current for the PFET's gate at each turn-on. The capacitor must be located as close as possible to the  $V_{IN}$  and VCC pins to minimize inductance in the PC board traces.

Referring to the graph “VCC vs.  $V_{IN}$ ”, the voltage across the VCC regulator ( $V_{IN} - V_{CC}$ ) is equal to  $V_{IN}$  until  $V_{IN}$  reaches approximately 8.5V. At higher values of  $V_{IN}$ , the voltage at the VCC pin is regulated at approximately 7.7V below  $V_{IN}$ . The VCC regulator has a maximum current capability of at least 20 mA. The regulator is disabled when the LM25085 is shutdown using the RT pin, or when the thermal shutdown is activated.

### PGATE DRIVER OUTPUT

The PGATE pin output swings between  $V_{IN}$  (Q1 off) and the VCC pin voltage (Q1 on). The rise and fall times depend on the PFET gate capacitance and the source and sink currents provided by the internal gate driver. See the Electrical Characteristics for the current capability of the driver.

### P-CHANNEL MOSFET SELECTION

The PFET must be rated for the maximum input voltage, with some margin above that to allow for transients and ringing which can occur on the supply line and the switching node. The gate-to-source voltage ( $V_{GS}$ ) normally provided to the PFET is 7.7 volts for  $V_{IN}$  greater than 8.5V. However, if the circuit is to be operated at lower values of  $V_{IN}$ , the selected PFET must be able to fully turn-on with a  $V_{GS}$  voltage equal to  $V_{IN}$ . The minimum input operating voltage for the LM25085 is 4.5V.

Similar to NFETs, the case or exposed thermal pad for a PFET is electrically connected to the drain terminal. When

designing a PFET buck regulator the drain terminal is connected to the switching node. This situation requires a trade-off between thermal and EMI performance since increasing the PC board area of the switching node to aid the PFET power dissipation also increases radiated noise, possibly disrupting the circuit operation. Typically the switching node area is kept to a reasonable minimum and the PFET peak current is derated to stay within the recommended temperature rating of the PFET. The  $R_{DS(ON)}$  of the PFET determines a portion of the power dissipation in the PFET. However, PFETs with very low  $R_{DS(ON)}$  usually have large values of gate charge. A PFET with a higher gate charge has a corresponding slower switching speed, leading to higher switching losses and affecting the PFET power dissipation.

If the PFET  $R_{DS(ON)}$  is used for current limit detection, note that it typically has a positive temperature coefficient. At  $100^\circ\text{C}$  the  $R_{DS(ON)}$  may be as much as 50% higher than the value at  $25^\circ\text{C}$  which could result in incorrect current limiting if not accounted for when determining the value of the  $R_{ADJ}$  resistor. The PFET Total Gate Charge determines most of the power dissipation in the LM25085 due to the repetitive charge and discharge of the PFET's gate capacitance by the gate driver (powered from the VCC regulator). The LM25085's internal power dissipation can be calculated from the following:

$$P_{DISS} = V_{IN} \times ((Q_G \times F_S) + I_{IN}) \quad (12)$$

where  $Q_G$  is the PFET's Total Gate Charge obtained from its datasheet,  $F_S$  is the switching frequency, and  $I_{IN}$  is the LM25085's operating current obtained from the graph “Input Operating Current vs.  $V_{IN}$ ”. Using the Thermal Resistance specifications in the Electrical Characteristics table, the approximate junction temperature can be determined. If the calculated junction temperature is near the maximum operating temperature of  $125^\circ\text{C}$ , either the switching frequency must be reduced, or a PFET with a smaller Total Gate Charge must be used.

## SOFT-START

The internal soft-start feature of the LM25085 allows the regulator to gradually reach a steady state operating point at power up, thereby reducing startup stresses and current surges. Upon turn-on, when V<sub>CC</sub> reaches its under-voltage lockout threshold, the internal soft-start circuit ramps the feedback reference voltage from 0V to 1.25V, causing V<sub>OUT</sub> to ramp up in a proportional manner. The soft-start ramp time is typically 2.5 ms.

In addition to controlling the initial power up cycle, the soft-start circuit also activates when the LM25085 is enabled by releasing the RT pin, and when the circuit is shutdown and restarted by the internal Thermal Shutdown circuit.

If the voltage at FB is below the regulation threshold value due to an over-current condition or a short circuit at V<sub>out</sub>, the internal reference voltage provided by the soft-start circuit to the regulation comparator is reduced along with FB. When the over-current or short circuit condition is removed, V<sub>OUT</sub> returns to the regulated value at a rate determined by the soft-start ramp. This feature helps prevent the output voltage from over-shooting following an overload event.

## THERMAL SHUTDOWN

The LM25085 should be operated such that the junction temperature does not exceed 125°C. If the junction temperature increases above that, an internal Thermal Shutdown circuit activates at 170°C (typical) to disable the VCC regulator and the gate driver, and discharge the soft-start capacitor. This feature helps prevent catastrophic failures from accidental device overheating. When the junction temperature falls below 150°C (typical hysteresis = 20°C), the gate driver is enabled, the soft-start circuit is released, and normal operation resumes.

## Applications Information

### EXTERNAL COMPONENTS

The procedure for calculating the external components is illustrated with the following design example. Referring to the Block Diagram, the circuit is to be configured for the following specifications:

$$V_{OUT} = 5V$$

$$V_{IN} = 7V \text{ to } 42V, 12V \text{ Nominal}$$

$$\text{Maximum load current } (I_{OUT(max)}) = 5A$$

$$\text{Minimum load current } (I_{OUT(min)}) = 600 \text{ mA (for continuous conduction mode)}$$

$$\text{Switching Frequency } (F_{SW}) = 300 \text{ kHz}$$

$$\text{Maximum allowable output ripple } (V_{OS}) = 5 \text{ mVp-p}$$

Selected PFET: Vishay Si7465

**R<sub>FB1</sub>** and **R<sub>FB2</sub>**: These resistors set the output voltage. The ratio of these resistors is calculated from:

$$R_{FB2}/R_{FB1} = (V_{OUT}/1.25V) - 1$$

For this example,  $R_{FB2} / R_{FB1} = 3$ . Typically,  $R_{FB1}$  and  $R_{FB2}$  should be chosen from standard value resistors in the range of 1 kΩ to 20 kΩ which satisfy the above ratio. For this example,  $R_{FB2} = 10 \text{ k}\Omega$ , and  $R_{FB1} = 3.4 \text{ k}\Omega$ .

**R<sub>T</sub>**, **PFET**: Before selecting the R<sub>T</sub> resistor, the PFET must be selected as its turn-on and turn-off delays affect the calculated value of R<sub>T</sub>. For the Vishay Si7465 PFET, the difference of its typical turn-off and turn-on delays is 57 ns. Using equation 5 at nominal input voltage, R<sub>T</sub> calculates to be:

$$R_T = \frac{5 \times (12 - 1.56V)}{1.45 \times 10^{-7} \times 12 \times 300 \text{ kHz}} - \frac{(50 \text{ ns} + 57 \text{ ns}) \times (12 - 1.56V)}{1.45 \times 10^{-7}} - 1.4 = 90.9$$

A standard value 90.9 kΩ resistor is selected. Using equation 3 the minimum on-time at the PGATE pin, which occurs at maximum input voltage (42V), is calculated to be 381 ns. This minimum one-shot period is sufficiently longer than the minimum recommended value of 150 ns. The minimum on-time at the SW node is longer due to the delay added by the PFET (57 ns). Therefore the minimum SW node on-time is 438 ns at 42V. At the SW node the maximum on-time is calculated to be 2.55 μs at 7V.

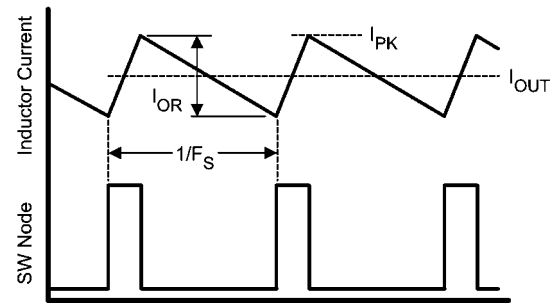
**L1**: The main parameter controlled by the inductor value is the current ripple amplitude (I<sub>OR</sub>). See Figure 3. The minimum load current for continuous conduction mode is used to determine the maximum allowable ripple such that the inductor current's lower peak does not fall below 0 mA. Continuous conduction mode operation at minimum load current is not a requirement of the LM25085, but serves as a guideline for selecting L1. For this example, the maximum ripple current is:

$$I_{OR(max)} = 2 \times I_{OUT(min)} = 1.2 \text{ Amp} \quad (13)$$

If an application's minimum load current is zero, a good initial estimate for the maximum ripple current (I<sub>OR(max)</sub>) is 20% of the maximum load current. The ripple calculated in equation 13 is then used in the following equation to calculate L1:

$$L1 = \frac{t_{ON(min)} \times (V_{IN(max)} - V_{OUT})}{I_{OR(max)}} = 13.5 \mu\text{H} \quad (14)$$

A standard value 15 μH inductor is selected. Using this inductance value, the maximum ripple current amplitude, which occurs at maximum input voltage, calculates to 1.08 Ap-p. The peak current (I<sub>PK</sub>) at maximum load current is 5.54A. However, the current rating of the selected inductor must be based on the maximum current limit value calculated below.



30079332

FIGURE 3. Inductor Current Waveform

**R<sub>SEN</sub>**, **R<sub>ADJ</sub>**: To achieve good current limit accuracy and avoid over designing the power stage components, the sense resistor method is used for current limiting in this example. A standard value 10 mΩ resistor is selected for R<sub>SEN</sub>, resulting in a 50 mV drop at maximum load current, and a maximum 0.25W power dissipation in the resistor. Since the LM25085 uses peak current detection, the minimum value for the current limit threshold must be equal to the maximum load current (5A) plus half the maximum ripple amplitude calculated above:

$$I_{CL(min)} = 5A + 1.08A/2 = 5.54A$$

At this current level the voltage across R<sub>SEN</sub> is 55.4 mV. Adding the current limit comparator offset of 9 mV (max) in-



increases the required current limit threshold to 6.44A. Using equation 7 with the minimum value for the ADJ pin current (32  $\mu$ A), the required  $R_{ADJ}$  resistor calculates to:

$$R_{ADJ} = \frac{6.44A \times 0.01\Omega}{32 \mu A} = 2.01 \text{ k}\Omega$$

A standard value 2.1 k $\Omega$  resistor is selected. The nominal current limit threshold calculates to:

$$I_{CL(nom)} = \frac{(2.1 \text{ k}\Omega \times 40 \mu A)}{0.01\Omega} = 8.4A$$

Using the tolerances for the ADJ pin current and the current limit comparator offset, the maximum current limit threshold calculates to:

$$I_{CL(max)} = \frac{(2.1 \text{ k}\Omega \times 48 \mu A) + 9 \text{ mV}}{0.01\Omega} = 11A$$

The minimum current limit thresholds calculate to:

$$I_{CL(min)} = \frac{(2.1 \text{ k}\Omega \times 32 \mu A) - 9 \text{ mV}}{0.01\Omega} = 5.82A$$

The load current in each case is equal to the current limit threshold minus half the current ripple amplitude. The recommended value of 1000 pF for  $C_{ADJ}$  is used in this example.

**C<sub>OUT</sub>:** Since the maximum allowed output ripple voltage is very low in this example (5 mVp-p), the minimum ripple configuration (R3, C1, and C2 in the Block Diagram) must be used. The resulting ripple at  $V_{OUT}$  is then due to the inductor's ripple current passing through  $C_{OUT}$ . This capacitor's value can be selected based on the maximum allowable ripple voltage at  $V_{OUT}$ , or based on transient response requirements. The following calculation, based on ripple voltage, provides a first order result for the value of  $C_{OUT}$ :

$$C_{OUT} = \frac{I_{OR(max)}}{8 \times F_S \times V_{RIPPLE}}$$

where  $I_{OR(max)}$  is the maximum ripple current calculated above, and  $V_{RIPPLE}$  is the allowable ripple at  $V_{OUT}$ .

$$C_{OUT} = \frac{1.08A}{8 \times 300 \text{ kHz} \times 0.005V} = 90 \mu F$$

A 100  $\mu$ F capacitor is selected. Typically the ripple amplitude will be higher than the calculations indicate due to the capacitor's ESR.

**R3, C1, C2:** The minimum ripple configuration uses these three components to generate the ripple voltage required at the FB pin since there is insufficient ripple at  $V_{OUT}$ . A minimum of 25 mVp-p must be applied to the FB pin to obtain stable constant frequency operation. R3 and C1 are selected to generate a sawtooth waveform at their junction, and that waveform is AC coupled to the FB pin via C2. The values of the three components are determined using the following procedure:

$$\text{Calculate } V_A = V_{OUT} - (V_{SW} \times (1 - (V_{OUT}/V_{IN(min)})))$$

where  $V_{SW}$  is the absolute value of the voltage at the SW node during the off-time, typically 0.5V to 1V depending on the diode D1. Using a typical value of 0.65V,  $V_A$  calculates to 4.81V.  $V_A$  is the nominal DC voltage at the R3/C1 junction, and is used in the next equation:

$$R3 \times C1 = \frac{(V_{IN(min)} - V_A) \times t_{ON}}{\Delta V}$$

where  $t_{ON}$  is the maximum on-time (at minimum input voltage), and  $\Delta V$  is the desired ripple amplitude at the R3/C1 junction, typically 25 mVp-p. For this example

$$R3 \times C1 = \frac{(7V - 4.81V) \times 2.55 \mu s}{0.025V} = 2.23 \times 10^{-4}$$

R3 and C1 are then selected from standard value components to produce the product calculated above. Typical values for C1 are 3000 pF to 10,000 pF, and R3 is typically from 10 k $\Omega$  to 300 k $\Omega$ . C2 is then chosen large compared to C1, typically 0.1  $\mu$ F. For this example, 3300 pF is chosen for C1, requiring R3 to be 67.7 k $\Omega$ . A standard value 66.5 k $\Omega$  resistor is selected.

**C<sub>IN</sub>, C<sub>BYP</sub>:** These capacitors limit the voltage ripple at VIN by supplying most of the switch current during the on-time. At maximum load current, when Q1 is switched on, the current through Q1 suddenly increases to the lower peak of the inductor's ripple current, then ramps up to the upper peak, and then drops to zero at turn-off. The average current during the on-time is the load current. For a worst case calculation, these capacitors must supply this average load current during the maximum on-time, while limiting the voltage drop at VIN. For this example, 0.5V is selected as the maximum allowable droop at VIN. Their minimum value is calculated from:

$$C_{IN} + C_{BYP} = \frac{I_{OUT(max)} \times t_{ON(max)}}{\Delta V} = \frac{5A \times 2.55 \mu s}{0.5V} = 25.5 \mu F$$

A 33  $\mu$ F electrolytic capacitor is selected for  $C_{IN}$ , and a 1  $\mu$ F ceramic capacitor is selected for  $C_{BYP}$ . Due to the ESR of  $C_{IN}$ , the ripple at VIN will likely be higher than the calculation indicates, and therefore it may be desirable to increase  $C_{IN}$  to 47  $\mu$ F or 68  $\mu$ F.  $C_{BYP}$  must be located as close as possible to the VIN and GND pins of the LM25085. The voltage rating for both capacitors must be at least 42V. The RMS ripple current rating for the input capacitors must also be considered. A good approximation for the required ripple current rating is  $I_{RMS} > I_{OUT}/2$ .

**D1:** A Schottky diode is recommended. Ultra-fast recovery diodes are not recommended as the high speed transitions at the SW pin may affect the regulator's operation due to the diode's reverse recovery transients. The diode must be rated for the maximum input voltage, and the worst case current limit level. The average power dissipation in the diode is calculated from:

$$P_{D1} = V_F \times I_{OUT} \times (1-D)$$

where  $V_F$  is the diode's forward voltage drop, and D is the on-time duty cycle. Using Equation 1, the minimum duty cycle occurs at maximum input voltage, and is calculated to be  $\approx 11.9\%$  in this example. The diode power dissipation calculates to be:

$$P_{D1} = 0.65V \times 5A \times (1 - 0.119) = 2.86W$$

**C<sub>VCC</sub>:** The capacitor at the VCC pin (from VIN to VCC) provides not only noise filtering and stability for the VCC regulator, but also provides the surge current for the PFET gate drive. The typical recommended value for C<sub>VCC</sub> is 0.47 μF. A good quality, low ESR, ceramic capacitor is recommended. C<sub>VCC</sub> must be located as close as possible to the VIN and VCC pins. If the selected PFET has a Total Gate Charge specification of 100 nC or larger, or if the circuit is required to operate at input voltages below 7 volts, a larger capacitor may be required. The maximum recommended value for C<sub>VCC</sub> is 1 μF.

**IC Power Dissipation:** The maximum power dissipated in the LM25085 package is calculated using Equation 12 at the

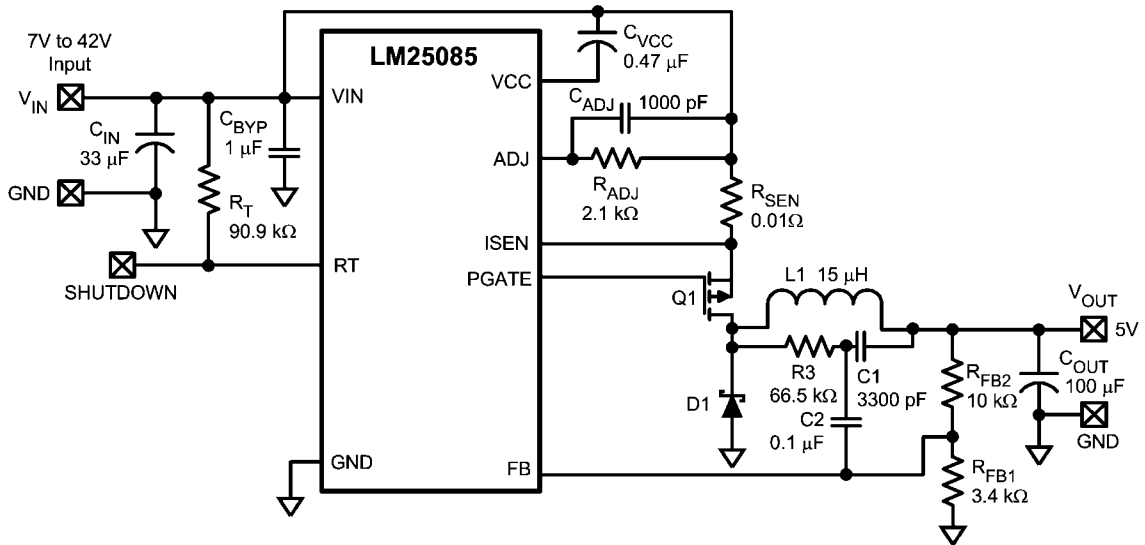
maximum input voltage. The Total Gate Charge for the Si7465 PFET is specified to be 40 nC (max) in its data sheet. Therefore the total power dissipation within the LM25085 is calculated to be:

$$P_{DISS} = 42V \times ((40 \text{ nC} \times 300 \text{ kHz}) + 1.3 \text{ mA}) = 559 \text{ mW}$$

Using an MSOP-8EP package with a  $\theta_{JA}$  of 46°C/W produces a temperature rise of 26°C from junction to ambient.

## Final Design Example Circuit

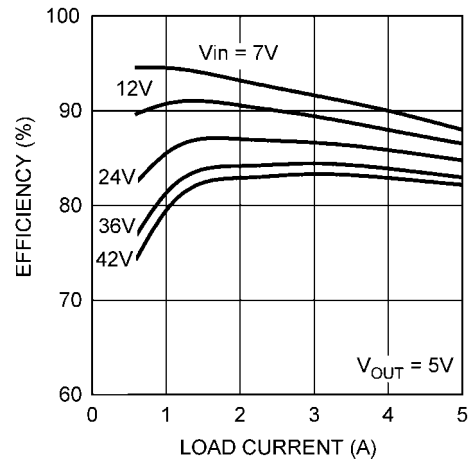
The final circuit is shown in Figure 4, and its performance is presented in Figure 5 through Figure 8.



30079342

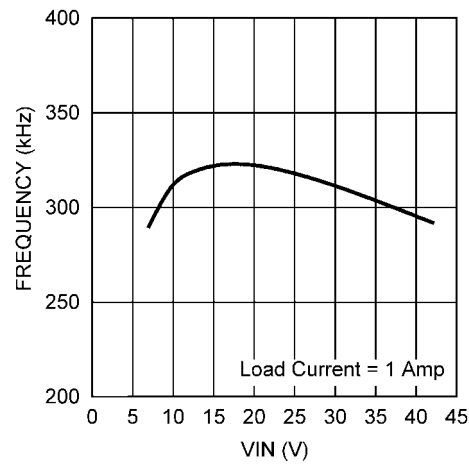
FIGURE 4. Example Circuit





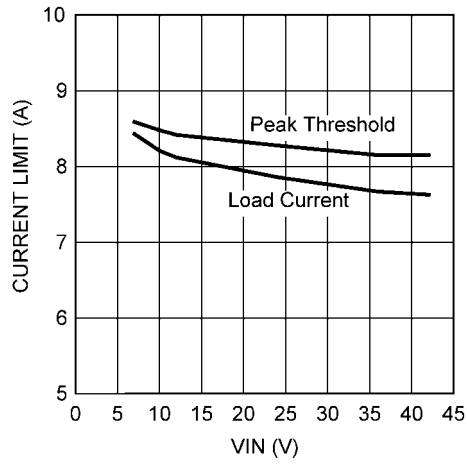
30079305

FIGURE 5. Efficiency vs. Load Current and  $V_{IN}$  (Circuit of Figure 4)



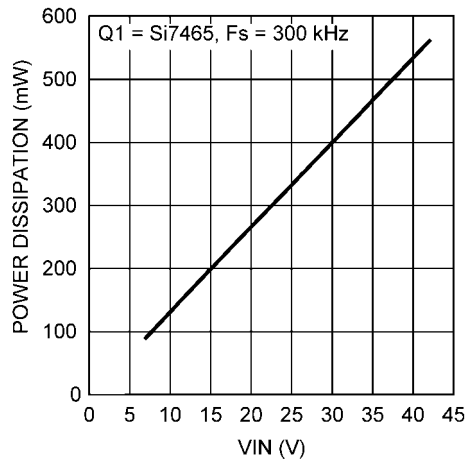
30079344

FIGURE 6. Frequency vs.  $V_{IN}$  (Circuit of Figure 4)



30079345

FIGURE 7. Current Limit vs.  $V_{IN}$  (Circuit of Figure 4)



30079346

FIGURE 8. LM25085 Power Dissipation (Circuit of Figure 4)

## Alternate Output Ripple Configurations

The minimum ripple configuration, using C1, C2 and R3, used in the example circuit figure 4, results in a low ripple amplitude at  $V_{OUT}$  determined mainly by the characteristics of the output capacitor and the ripple current in L1. This configuration allows multiple ceramic capacitors to be used for  $V_{OUT}$  if the output voltage is provided to several places on the PC board. However, if a slightly higher level of ripple at  $V_{OUT}$  is acceptable in the application, and distributed capacitance is not used, the ripple required for the FB comparator pin can be generated with fewer external components using the circuits shown below.

**a) Reduced ripple configuration:** In Figure 9, R3, C1 and C2 are removed (compared to Figure 4). A low value resistor (R4) is added in series with  $C_{OUT}$ , and a capacitor (Cff) is added across  $R_{FB2}$ . Ripple is generated at  $V_{OUT}$  by the inductor's ripple current flowing through R4, and that ripple

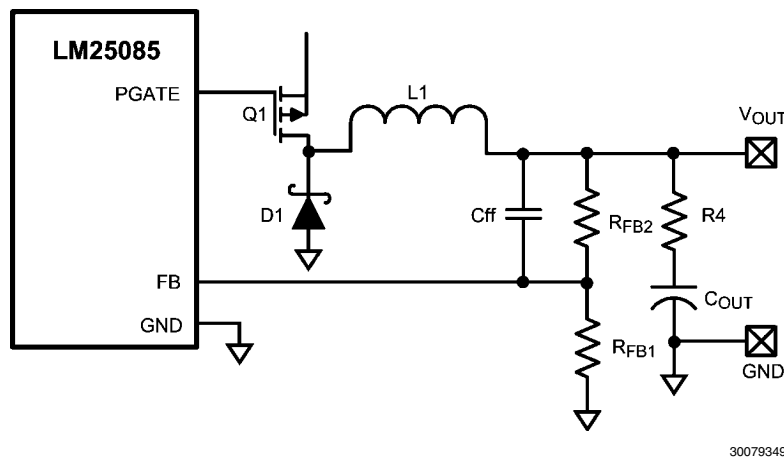


FIGURE 9. Reduced Ripple Configuration

**b) Lowest cost configuration:** This configuration, shown in Figure 10, is the same as Figure 9 except Cff is removed. Since the ripple voltage at  $V_{OUT}$  is attenuated by  $R_{FB2}$  and  $R_{FB1}$ , the minimum ripple required at  $V_{OUT}$  is equal to:

$$V_{RIP(min)} = 25 \text{ mV} \times (R_{FB2} + R_{FB1})/R_{FB1}$$

The minimum value for R4 is calculated from:

$$R4 = \frac{V_{RIP(min)}}{I_{OR(min)}}$$

where  $I_{OR(min)}$  is the minimum ripple current, which occurs at minimum input voltage.

voltage is passed to the FB pin via Cff. The ripple at  $V_{OUT}$  can be set as low as 25 mVp-p since it is not attenuated by  $R_{FB2}$  and  $R_{FB1}$ . The minimum value for R4 is calculated from:

$$R4 = \frac{25 \text{ mV}}{I_{OR(min)}}$$

where  $I_{OR(min)}$  is the minimum ripple current, which occurs at minimum input voltage. The minimum value for Cff is determined from:

$$Cff = \frac{3 \times t_{ON(max)}}{(R_{FB1} // R_{FB2})}$$

where  $t_{ON(max)}$  is the maximum on-time, which occurs at minimum  $V_{IN}$ . The next larger standard value capacitor should be used for Cff.

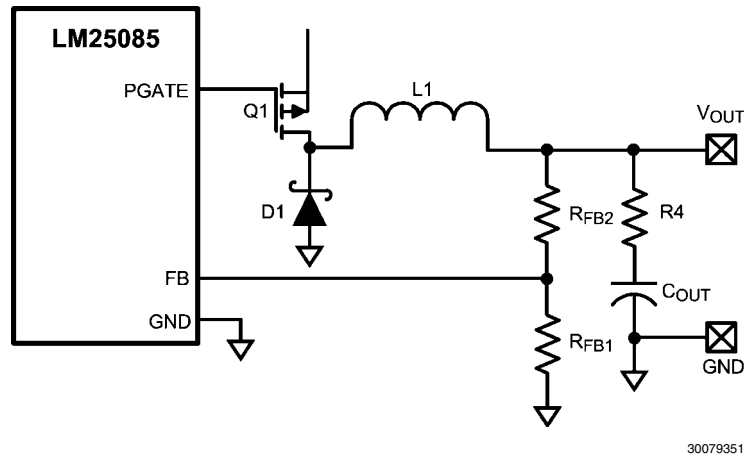


FIGURE 10. Lowest Cost Ripple Generating Configuration

## PC Board Layout

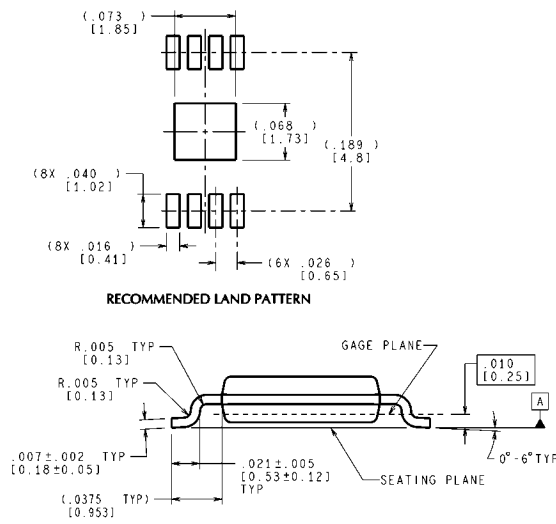
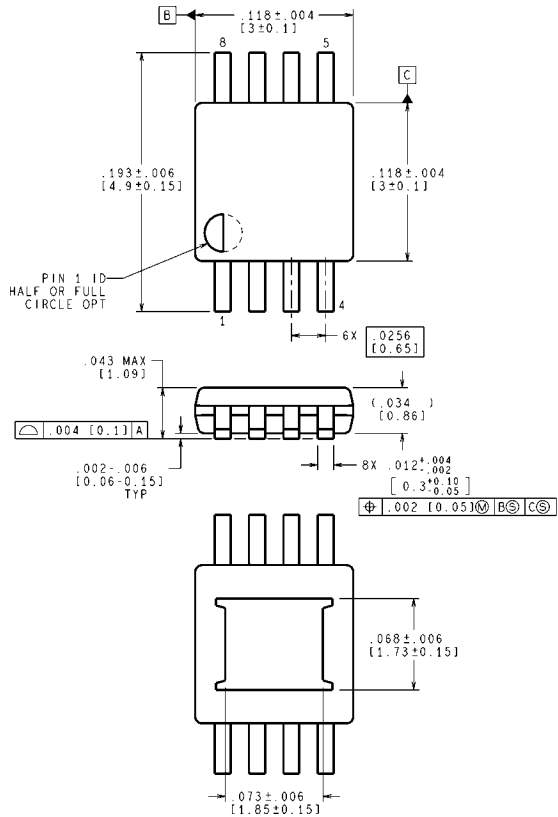
In most applications, the heat sink pad or tab of Q1 is connected to the switch node, i.e. the junction of Q1, L1 and D1. While it is common to extend the PC board pad from under these devices to aid in heat dissipation, the pad size should be limited to minimize EMI radiation from this switching node. If the PC board layout allows, a similarly sized copper pad can be placed on the underside of the PC board, and connected with as many vias as possible to aid in heat dissipation.

The voltage regulation, over-voltage, and current limit comparators are very fast and can respond to short duration noise pulses. Layout considerations are therefore critical for optimum performance. The layout must be as neat and compact as possible with all the components as close as possible to their associated pins. Two major current loops conduct currents which switch very fast, requiring the loops to be as small as possible to minimize conducted and radiated EMI. The first

loop is that formed by  $C_{IN}$ , Q1, L1,  $C_{OUT}$ , and back to  $C_{IN}$ . The second loop is that formed by D1, L1,  $C_{OUT}$ , and back to D1. The connection from the anode of D1 to the ground end of  $C_{IN}$  must be short and direct.  $C_{IN}$  must be as close as possible to the VIN and GND pins, and  $C_{VCC}$  must be as close as possible to the VIN and VCC pins.

If the anticipated internal power dissipation of the LM25085 will produce excessive junction temperatures during normal operation, a package option with an exposed pad must be used (MSOP-8EP or LLP-8). Effective use of the PC board ground plane can help dissipate heat. Additionally, the use of wide PC board traces, where possible, helps conduct heat away from the IC. Judicious positioning of the PC board within the end product, along with the use of any available air flow (forced or natural convection) also helps reduce the junction temperature.

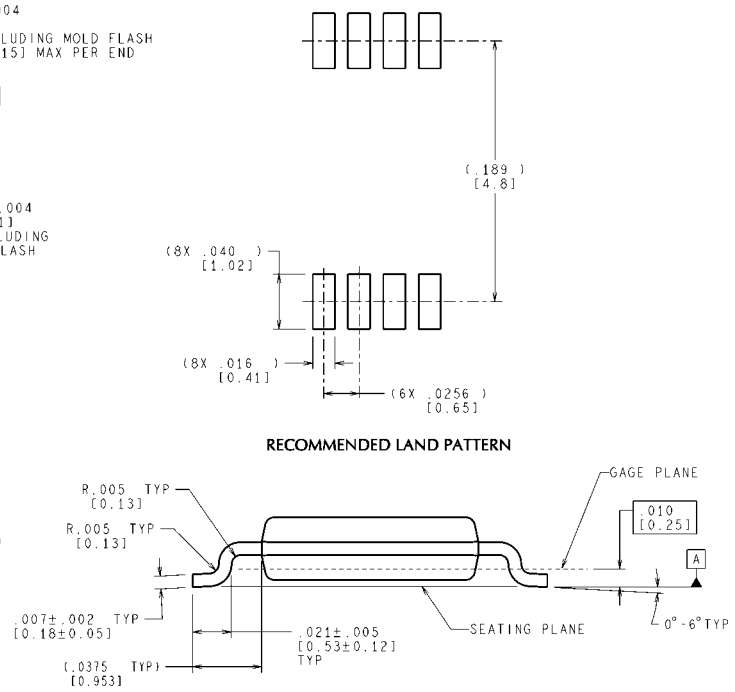
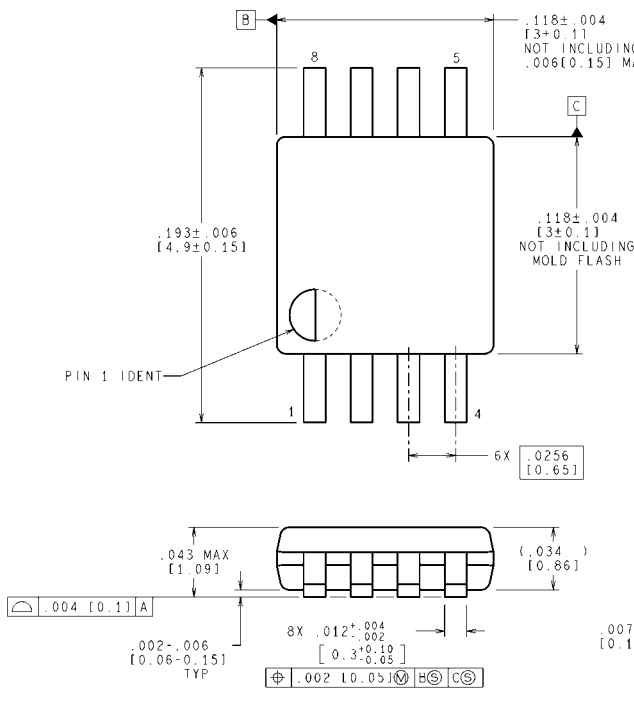
**Physical Dimensions** inches (millimeters) unless otherwise noted



CONTROLLING DIMENSION IS INCH  
VALUES IN [ ] ARE MILLIMETERS

**8-Lead MSOP-EP Package**  
**NS Package Number MUY08A**

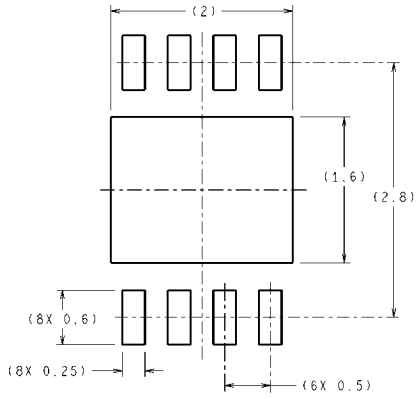
MUY08A (Rev A)



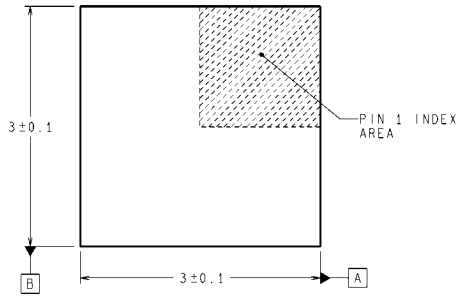
CONTROLLING DIMENSION IS INCH  
VALUES IN [ ] ARE MILLIMETERS

**8-Lead MSOP Package**  
**NS Package Number MUA08A**

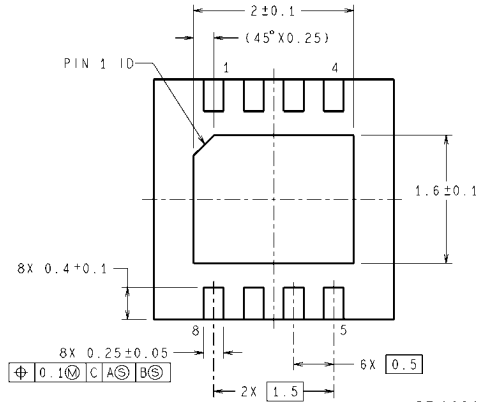
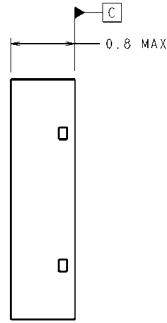
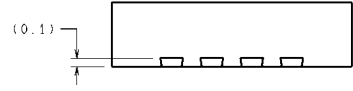
MUA08A (Rev F)



RECOMMENDED LAND PATTERN



DIMENSIONS ARE IN MILLIMETERS  
DIMENSIONS IN ( ) FOR REFERENCE ONLY



SDA08A (Rev A)

**8-Lead LLP Package**  
**NS Package Number SDA08A**

# Notes

LM25085

## Notes

For more National Semiconductor product information and proven design tools, visit the following Web sites at:  
[www.national.com](http://www.national.com)

Products		Design Support	
Amplifiers	<a href="http://www.national.com/amplifiers">www.national.com/amplifiers</a>	WEBENCH® Tools	<a href="http://www.national.com/webench">www.national.com/webench</a>
Audio	<a href="http://www.national.com/audio">www.national.com/audio</a>	App Notes	<a href="http://www.national.com/appnotes">www.national.com/appnotes</a>
Clock and Timing	<a href="http://www.national.com/timing">www.national.com/timing</a>	Reference Designs	<a href="http://www.national.com/refdesigns">www.national.com/refdesigns</a>
Data Converters	<a href="http://www.national.com/adc">www.national.com/adc</a>	Samples	<a href="http://www.national.com/samples">www.national.com/samples</a>
Interface	<a href="http://www.national.com/interface">www.national.com/interface</a>	Eval Boards	<a href="http://www.national.com/evalboards">www.national.com/evalboards</a>
LVDS	<a href="http://www.national.com/lvds">www.national.com/lvds</a>	Packaging	<a href="http://www.national.com/packaging">www.national.com/packaging</a>
Power Management	<a href="http://www.national.com/power">www.national.com/power</a>	Green Compliance	<a href="http://www.national.com/quality/green">www.national.com/quality/green</a>
Switching Regulators	<a href="http://www.national.com/switchers">www.national.com/switchers</a>	Distributors	<a href="http://www.national.com/contacts">www.national.com/contacts</a>
LDOs	<a href="http://www.national.com/ldo">www.national.com/ldo</a>	Quality and Reliability	<a href="http://www.national.com/quality">www.national.com/quality</a>
LED Lighting	<a href="http://www.national.com/led">www.national.com/led</a>	Feedback/Support	<a href="http://www.national.com/feedback">www.national.com/feedback</a>
Voltage References	<a href="http://www.national.com/vref">www.national.com/vref</a>	Design Made Easy	<a href="http://www.national.com/easy">www.national.com/easy</a>
PowerWise® Solutions	<a href="http://www.national.com/powerwise">www.national.com/powerwise</a>	Applications & Markets	<a href="http://www.national.com/solutions">www.national.com/solutions</a>
Serial Digital Interface (SDI)	<a href="http://www.national.com/sdi">www.national.com/sdi</a>	Mil/Aero	<a href="http://www.national.com/milaero">www.national.com/milaero</a>
Temperature Sensors	<a href="http://www.national.com/tempensors">www.national.com/tempensors</a>	SolarMagic™	<a href="http://www.national.com/solarmagic">www.national.com/solarmagic</a>
PLL/VCO	<a href="http://www.national.com/wireless">www.national.com/wireless</a>	PowerWise® Design University	<a href="http://www.national.com/training">www.national.com/training</a>

THE CONTENTS OF THIS DOCUMENT ARE PROVIDED IN CONNECTION WITH NATIONAL SEMICONDUCTOR CORPORATION ("NATIONAL") PRODUCTS. NATIONAL MAKES NO REPRESENTATIONS OR WARRANTIES WITH RESPECT TO THE ACCURACY OR COMPLETENESS OF THE CONTENTS OF THIS PUBLICATION AND RESERVES THE RIGHT TO MAKE CHANGES TO SPECIFICATIONS AND PRODUCT DESCRIPTIONS AT ANY TIME WITHOUT NOTICE. NO LICENSE, WHETHER EXPRESS, IMPLIED, ARISING BY ESTOPPEL OR OTHERWISE, TO ANY INTELLECTUAL PROPERTY RIGHTS IS GRANTED BY THIS DOCUMENT.

TESTING AND OTHER QUALITY CONTROLS ARE USED TO THE EXTENT NATIONAL DEEMS NECESSARY TO SUPPORT NATIONAL'S PRODUCT WARRANTY. EXCEPT WHERE MANDATED BY GOVERNMENT REQUIREMENTS, TESTING OF ALL PARAMETERS OF EACH PRODUCT IS NOT NECESSARILY PERFORMED. NATIONAL ASSUMES NO LIABILITY FOR APPLICATIONS ASSISTANCE OR BUYER PRODUCT DESIGN. BUYERS ARE RESPONSIBLE FOR THEIR PRODUCTS AND APPLICATIONS USING NATIONAL COMPONENTS. PRIOR TO USING OR DISTRIBUTING ANY PRODUCTS THAT INCLUDE NATIONAL COMPONENTS, BUYERS SHOULD PROVIDE ADEQUATE DESIGN, TESTING AND OPERATING SAFEGUARDS.

EXCEPT AS PROVIDED IN NATIONAL'S TERMS AND CONDITIONS OF SALE FOR SUCH PRODUCTS, NATIONAL ASSUMES NO LIABILITY WHATSOEVER, AND NATIONAL DISCLAIMS ANY EXPRESS OR IMPLIED WARRANTY RELATING TO THE SALE AND/OR USE OF NATIONAL PRODUCTS INCLUDING LIABILITY OR WARRANTIES RELATING TO FITNESS FOR A PARTICULAR PURPOSE, MERCHANTABILITY, OR INFRINGEMENT OF ANY PATENT, COPYRIGHT OR OTHER INTELLECTUAL PROPERTY RIGHT.

#### LIFE SUPPORT POLICY

**NATIONAL'S PRODUCTS ARE NOT AUTHORIZED FOR USE AS CRITICAL COMPONENTS IN LIFE SUPPORT DEVICES OR SYSTEMS WITHOUT THE EXPRESS PRIOR WRITTEN APPROVAL OF THE CHIEF EXECUTIVE OFFICER AND GENERAL COUNSEL OF NATIONAL SEMICONDUCTOR CORPORATION.** As used herein:

Life support devices or systems are devices which (a) are intended for surgical implant into the body, or (b) support or sustain life and whose failure to perform when properly used in accordance with instructions for use provided in the labeling can be reasonably expected to result in a significant injury to the user. A critical component is any component in a life support device or system whose failure to perform can be reasonably expected to cause the failure of the life support device or system or to affect its safety or effectiveness.

National Semiconductor and the National Semiconductor logo are registered trademarks of National Semiconductor Corporation. All other brand or product names may be trademarks or registered trademarks of their respective holders.

Copyright© 2009 National Semiconductor Corporation

For the most current product information visit us at [www.national.com](http://www.national.com)



**National Semiconductor  
Americas Technical  
Support Center**  
Email: [support@nsc.com](mailto:support@nsc.com)  
Tel: 1-800-272-9959

**National Semiconductor Europe  
Technical Support Center**  
Email: [europe.support@nsc.com](mailto:europe.support@nsc.com)

**National Semiconductor Asia  
Pacific Technical Support Center**  
Email: [ap.support@nsc.com](mailto:ap.support@nsc.com)

**National Semiconductor Japan  
Technical Support Center**  
Email: [jpn.feedback@nsc.com](mailto:jpn.feedback@nsc.com)