

DS89C21 Differential CMOS Line Driver and Receiver Pair

Check for Samples: [DS89C21](#)

FEATURES

- Meets TIA/EIA-422-A (RS-422) and CCITT V.11 Recommendation
- **LOW POWER** Design—15 mW Typical
- **Guaranteed AC Parameters:**
 - Maximum Driver Skew 2.0 ns
 - Maximum Receiver Skew 4.0 ns
- **Extended Temperature Range:** –40°C to +85°C
- Available in SOIC Packaging
- Operates over 20 Mbps
- Receiver OPEN Input Failsafe Feature

DESCRIPTION

The DS89C21 is a differential CMOS line driver and receiver pair, designed to meet the requirements of TIA/EIA-422-A (RS-422) electrical characteristics interface standard. The DS89C21 provides one driver and one receiver in a minimum footprint. The device is offered in an 8-pin SOIC package.

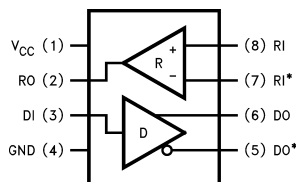
The CMOS design minimizes the supply current to 6 mA, making the device ideal for use in battery powered or power conscious applications.

The driver features a fast transition time specified at 2.2 ns, and a maximum differential skew of 2 ns making the driver ideal for use in high speed applications operating above 10 MHz.

The receiver can detect signals as low as 200 mV, and also incorporates hysteresis for noise rejection. Skew is specified at 4 ns maximum.

The DS89C21 is compatible with TTL and CMOS levels (DI and RO).

Connection Diagram



See Package Number D (R-PDSO-G8)

Truth Table Driver

Input	Outputs	
DI	DO	DO*
H	H	L
L	L	H

Truth Table Receiver

Inputs	Output
RI–RI*	RO
$V_{DIFF} \geq +200$ mV	H
$V_{DIFF} \leq -200$ mV	L
OPEN ⁽¹⁾	H

(1) Non-terminated



Please be aware that an important notice concerning availability, standard warranty, and use in critical applications of Texas Instruments semiconductor products and disclaimers thereto appears at the end of this data sheet.

All trademarks are the property of their respective owners.



These devices have limited built-in ESD protection. The leads should be shorted together or the device placed in conductive foam during storage or handling to prevent electrostatic damage to the MOS gates.

Absolute Maximum Ratings ⁽¹⁾⁽²⁾⁽³⁾

Supply Voltage (V_{CC})	7V
Driver Input Voltage (DI)	-1.5V to $V_{CC} + 1.5V$
Driver Output Voltage (DO, \overline{DO})	-0.5V to +7V
Receiver Input Voltage— V_{CM} (RI, \overline{RI})	$\pm 14V$
Differential Receiver Input Voltage— V_{DIFF} (RI, \overline{RI})	$\pm 14V$
Receiver Output Voltage (RO)	-0.5V to $V_{CC} + 0.5V$
Receiver Output Current (RO)	± 25 mA
Storage Temperature Range (T_{STG})	-65°C to +150°C
Lead Temperature (T_L) (Soldering 4 sec.)	+260°C
Maximum Junction Temperature	150°C
Maximum Package Power Dissipation @+25°C	
D Package	714 mW
Derate D Package	5.7 mW/°C above +25°C

- (1) Absolute Maximum Ratings are those values beyond which the safety of the device cannot be ensured. They are not meant to imply that the devices should be operated at these limits. The tables of [Electrical Characteristics](#) specify conditions for device operation.
- (2) If Military/Aerospace specified devices are required, please contact the Texas Instruments Sales Office/ Distributors for availability and specifications.
- (3) ESD Rating: HBM (1.5 k Ω , 100 pF) all pins $\geq 2000V$. EIAJ (0 Ω , 200 pF) $\geq 250V$

Recommended Operating Conditions

	Min	Max	Units
Supply Voltage (V_{CC})	4.50	5.50	V
Operating Temperature (T_A)	-40	+85	°C
Input Rise or Fall Time (DI)		500	ns

Electrical Characteristics ⁽¹⁾⁽²⁾

Over recommended supply voltage and operating temperature ranges, unless otherwise specified.

Symbol	Parameter	Conditions	Pin	Min	Typ	Max	Units	
DRIVER CHARACTERISTICS								
V_{IH}	Input Voltage HIGH		DI	2.0		V_{CC}	V	
V_{IL}	Input Voltage LOW			GND		0.8	V	
I_{IH}, I_{IL}	Input Current	$V_{IN} = V_{CC}, GND, 2.0V, 0.8V$			0.05	± 10	μA	
V_{CL}	Input Clamp Voltage	$I_{IN} = -18\text{ mA}$				-1.5	V	
V_{OD1}	Unloaded Output Voltage	No Load	DO, DO*		4.2	6.0	V	
V_{OD2}	Differential Output Voltage	$R_L = 100\Omega$		2.0	3.0		V	
ΔV_{OD2}	Change in Magnitude of V_{OD2} for Complementary Output States				5.0	400	mV	
V_{OD3}	Differential Output Voltage	$R_L = 150\Omega$		2.1	3.1		V	
V_{OD4}	Differential Output Voltage	$R_L = 3.9\text{ k}\Omega$			4.0	6.0	V	
V_{OC}	Common Mode Voltage	$R_L = 100\Omega$			2.0	3.0	V	
ΔV_{OC}	Change in Magnitude of V_{OC} for Complementary Output States				2.0	400	mV	
I_{OSD}	Output Short Circuit Current	$V_{OUT} = 0V$			-30	-115	-150	mA
I_{OFF}	Output Leakage Current	$V_{CC} = 0V$				0.03	+100	μA
						-0.08	-100	μA
RECEIVER CHARACTERISTICS								
V_{TL}, V_{TH}	Differential Thresholds	$V_{IN} = +7V, 0V, -7V$	RI, RI*	-200	± 25	+200	mV	
V_{HYS}	Hysteresis	$V_{CM} = 0V$		20	50		mV	
R_{IN}	Input Impedance	$V_{IN} = -7V, +7V, \text{Other} = 0V$		5.0	9.5		k Ω	
I_{IN}	Input Current	Other Input = 0V, $V_{CC} = 5.5V$ and $V_{CC} = 0V$		$V_{IN} = +10V$		+1.0	+1.5	mA
				$V_{IN} = +3.0V$	0	+0.22		mA
				$V_{IN} = +0.5V$		-0.04		mA
				$V_{IN} = -3V$	0	-0.41		mA
				$V_{IN} = -10V$		-1.25	-2.5	mA
V_{OH}	Output HIGH Voltage	$I_{OH} = -6\text{ mA}$		$V_{DIFF} = +1V$	3.8	4.9	V	
				$V_{DIFF} = \text{OPEN}$	3.8	4.9	V	
V_{OL}	Output LOW Voltage	$I_{OL} = +6\text{ mA}, V_{DIFF} = -1V$			0.08	0.3	V	
I_{OSR}	Output Short Circuit Current	$V_{OUT} = 0V$		-25	-85	-150	mA	
DRIVER AND RECEIVER CHARACTERISTICS								
I_{CC}	Supply Current	No Load		V_{CC}		3.0	6	mA
						3.8	12	mA

- (1) Current into device pins is defined as positive. Current out of device pins is defined as negative. All voltages are referenced to ground unless otherwise specified.
- (2) All typicals are given for $V_{CC} = 5.0V$ and $T_A = 25^\circ C$.

Switching Characteristics ⁽¹⁾⁽²⁾

Over recommended supply voltage and operating temperature ranges, unless otherwise specified.

Symbol	Parameter	Conditions	Min	Typ	Max	Units	
DIFFERENTIAL DRIVER CHARACTERISTICS							
t_{PLHD}	Propagation Delay LOW to HIGH	$R_L = 100\Omega$	2	4.9	10	ns	
t_{PHLD}	Propagation Delay HIGH to LOW	$C_L = 50\text{ pF}$					
t_{SKD}	Skew, $ t_{PLHD} - t_{PHLD} $						
t_{TLH}	Transition Time LOW to HIGH		(Figure 2 Figure 4)		2.2	9	ns
t_{THL}	Transition Time HIGH to LOW			2.1	9	ns	
RECEIVER CHARACTERISTICS							
t_{PLH}	Propagation Delay LOW to HIGH	$C_L = 50\text{ pF}$	6	18	30	ns	
t_{PHL}	Propagation Delay HIGH to LOW	$V_{DIFF} = 2.5\text{V}$					
t_{SK}	Skew, $ t_{PLH} - t_{PHL} $	$V_{CM} = 0\text{V}$					
t_r	Rise Time		(Figure 7)		2.5	9	ns
t_f	Fall Time			2.1	9	ns	

- (1) All typicals are given for $V_{CC} = 5.0\text{V}$ and $T_A = 25^\circ\text{C}$.
- (2) $f = 1\text{ MHz}$, t_r and $t_f \leq 6\text{ ns}$.

Parameter Measurement Information

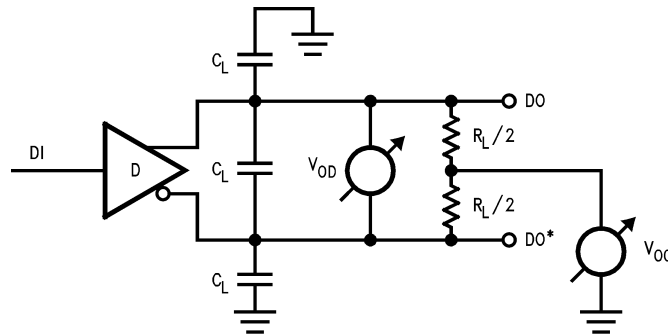
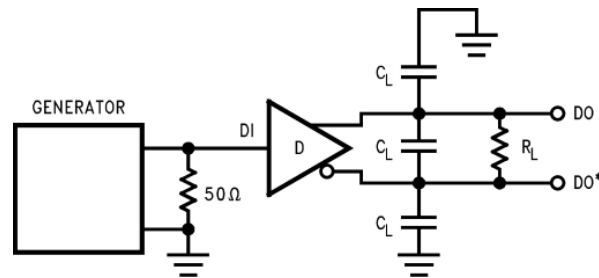


Figure 1. V_{OD} and V_{OC} Test Circuit



$f = 1\text{ MHz}$, t_r and $t_f \leq 6\text{ ns}$.

Figure 2. Driver Propagation Delay Test Circuit

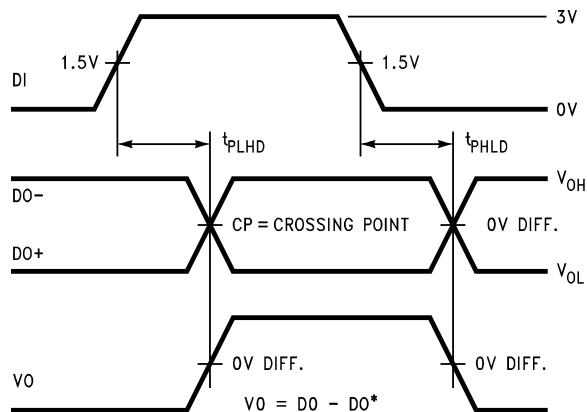


Figure 3. Driver Differential Propagation Delay Timing

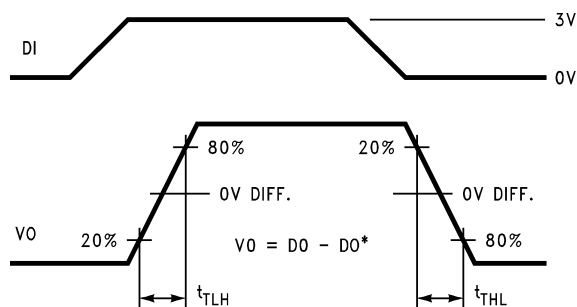
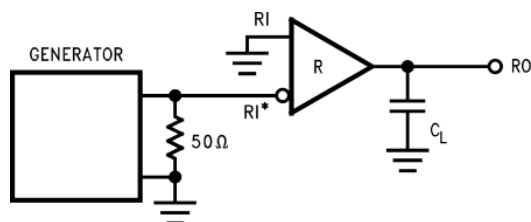


Figure 4. Driver Differential Transition Timing



f = 1 MHz, tr and tf ≤ 6 ns.

Figure 5. Receiver Propagation Delay Test Circuit

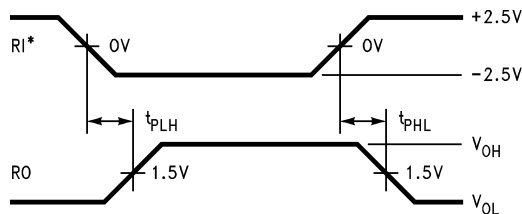
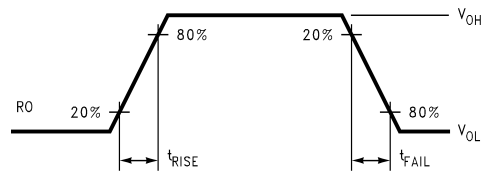


Figure 6. Receiver Propagation Delay Timing

**Figure 7. Receiver Rise and Fall Times**

REVISION HISTORY

Changes from Revision B (April 2013) to Revision C	Page
<hr/> <ul style="list-style-type: none">• Changed layout of National Data Sheet to TI format	<hr/> 6

PACKAGING INFORMATION

Orderable Device	Status (1)	Package Type	Package Drawing	Pins	Package Qty	Eco Plan (2)	Lead/Ball Finish (6)	MSL Peak Temp (3)	Op Temp (°C)	Device Marking (4/5)	Samples
DS89C21TM	NRND	SOIC	D	8	95	TBD	Call TI	Call TI	-40 to 85	DS89C 21TM	
DS89C21TM/NOPB	ACTIVE	SOIC	D	8	95	Green (RoHS & no Sb/Br)	CU SN	Level-1-260C-UNLIM	-40 to 85	DS89C 21TM	Samples
DS89C21TMX	NRND	SOIC	D	8	2500	TBD	Call TI	Call TI	-40 to 85	DS89C 21TM	
DS89C21TMX/NOPB	ACTIVE	SOIC	D	8	2500	Green (RoHS & no Sb/Br)	CU SN	Level-1-260C-UNLIM	-40 to 85	DS89C 21TM	Samples

(1) The marketing status values are defined as follows:

ACTIVE: Product device recommended for new designs.

LIFEBUY: TI has announced that the device will be discontinued, and a lifetime-buy period is in effect.

NRND: Not recommended for new designs. Device is in production to support existing customers, but TI does not recommend using this part in a new design.

PREVIEW: Device has been announced but is not in production. Samples may or may not be available.

OBSOLETE: TI has discontinued the production of the device.

(2) Eco Plan - The planned eco-friendly classification: Pb-Free (RoHS), Pb-Free (RoHS Exempt), or Green (RoHS & no Sb/Br) - please check <http://www.ti.com/productcontent> for the latest availability information and additional product content details.

TBD: The Pb-Free/Green conversion plan has not been defined.

Pb-Free (RoHS): TI's terms "Lead-Free" or "Pb-Free" mean semiconductor products that are compatible with the current RoHS requirements for all 6 substances, including the requirement that lead not exceed 0.1% by weight in homogeneous materials. Where designed to be soldered at high temperatures, TI Pb-Free products are suitable for use in specified lead-free processes.

Pb-Free (RoHS Exempt): This component has a RoHS exemption for either 1) lead-based flip-chip solder bumps used between the die and package, or 2) lead-based die adhesive used between the die and leadframe. The component is otherwise considered Pb-Free (RoHS compatible) as defined above.

Green (RoHS & no Sb/Br): TI defines "Green" to mean Pb-Free (RoHS compatible), and free of Bromine (Br) and Antimony (Sb) based flame retardants (Br or Sb do not exceed 0.1% by weight in homogeneous material)

(3) MSL, Peak Temp. - The Moisture Sensitivity Level rating according to the JEDEC industry standard classifications, and peak solder temperature.

(4) There may be additional marking, which relates to the logo, the lot trace code information, or the environmental category on the device.

(5) Multiple Device Markings will be inside parentheses. Only one Device Marking contained in parentheses and separated by a "~" will appear on a device. If a line is indented then it is a continuation of the previous line and the two combined represent the entire Device Marking for that device.

(6) Lead/Ball Finish - Orderable Devices may have multiple material finish options. Finish options are separated by a vertical ruled line. Lead/Ball Finish values may wrap to two lines if the finish value exceeds the maximum column width.

Important Information and Disclaimer: The information provided on this page represents TI's knowledge and belief as of the date that it is provided. TI bases its knowledge and belief on information provided by third parties, and makes no representation or warranty as to the accuracy of such information. Efforts are underway to better integrate information from third parties. TI has taken and continues to take reasonable steps to provide representative and accurate information but may not have conducted destructive testing or chemical analysis on incoming materials and chemicals. TI and TI suppliers consider certain information to be proprietary, and thus CAS numbers and other limited information may not be available for release.

In no event shall TI's liability arising out of such information exceed the total purchase price of the TI part(s) at issue in this document sold by TI to Customer on an annual basis.

TAPE AND REEL INFORMATION



QUADRANT ASSIGNMENTS FOR PIN 1 ORIENTATION IN TAPE



*All dimensions are nominal

Device	Package Type	Package Drawing	Pins	SPQ	Reel Diameter (mm)	Reel Width W1 (mm)	A0 (mm)	B0 (mm)	K0 (mm)	P1 (mm)	W (mm)	Pin1 Quadrant
DS89C21TMX	SOIC	D	8	2500	330.0	12.4	6.5	5.4	2.0	8.0	12.0	Q1
DS89C21TMX/NOPB	SOIC	D	8	2500	330.0	12.4	6.5	5.4	2.0	8.0	12.0	Q1

TAPE AND REEL BOX DIMENSIONS



*All dimensions are nominal

Device	Package Type	Package Drawing	Pins	SPQ	Length (mm)	Width (mm)	Height (mm)
DS89C21TMX	SOIC	D	8	2500	367.0	367.0	35.0
DS89C21TMX/NOPB	SOIC	D	8	2500	367.0	367.0	35.0

D (R-PDSO-G8)

PLASTIC SMALL OUTLINE



NOTES: A. All linear dimensions are in inches (millimeters).
 B. This drawing is subject to change without notice.
 C. Body length does not include mold flash, protrusions, or gate burrs. Mold flash, protrusions, or gate burrs shall not exceed 0.006 (0,15) each side.
 D. Body width does not include interlead flash. Interlead flash shall not exceed 0.017 (0,43) each side.
 E. Reference JEDEC MS-012 variation AA.

IMPORTANT NOTICE

Texas Instruments Incorporated and its subsidiaries (TI) reserve the right to make corrections, enhancements, improvements and other changes to its semiconductor products and services per JESD46, latest issue, and to discontinue any product or service per JESD48, latest issue. Buyers should obtain the latest relevant information before placing orders and should verify that such information is current and complete. All semiconductor products (also referred to herein as "components") are sold subject to TI's terms and conditions of sale supplied at the time of order acknowledgment.

TI warrants performance of its components to the specifications applicable at the time of sale, in accordance with the warranty in TI's terms and conditions of sale of semiconductor products. Testing and other quality control techniques are used to the extent TI deems necessary to support this warranty. Except where mandated by applicable law, testing of all parameters of each component is not necessarily performed.

TI assumes no liability for applications assistance or the design of Buyers' products. Buyers are responsible for their products and applications using TI components. To minimize the risks associated with Buyers' products and applications, Buyers should provide adequate design and operating safeguards.

TI does not warrant or represent that any license, either express or implied, is granted under any patent right, copyright, mask work right, or other intellectual property right relating to any combination, machine, or process in which TI components or services are used. Information published by TI regarding third-party products or services does not constitute a license to use such products or services or a warranty or endorsement thereof. Use of such information may require a license from a third party under the patents or other intellectual property of the third party, or a license from TI under the patents or other intellectual property of TI.

Reproduction of significant portions of TI information in TI data books or data sheets is permissible only if reproduction is without alteration and is accompanied by all associated warranties, conditions, limitations, and notices. TI is not responsible or liable for such altered documentation. Information of third parties may be subject to additional restrictions.

Resale of TI components or services with statements different from or beyond the parameters stated by TI for that component or service voids all express and any implied warranties for the associated TI component or service and is an unfair and deceptive business practice. TI is not responsible or liable for any such statements.

Buyer acknowledges and agrees that it is solely responsible for compliance with all legal, regulatory and safety-related requirements concerning its products, and any use of TI components in its applications, notwithstanding any applications-related information or support that may be provided by TI. Buyer represents and agrees that it has all the necessary expertise to create and implement safeguards which anticipate dangerous consequences of failures, monitor failures and their consequences, lessen the likelihood of failures that might cause harm and take appropriate remedial actions. Buyer will fully indemnify TI and its representatives against any damages arising out of the use of any TI components in safety-critical applications.

In some cases, TI components may be promoted specifically to facilitate safety-related applications. With such components, TI's goal is to help enable customers to design and create their own end-product solutions that meet applicable functional safety standards and requirements. Nonetheless, such components are subject to these terms.

No TI components are authorized for use in FDA Class III (or similar life-critical medical equipment) unless authorized officers of the parties have executed a special agreement specifically governing such use.

Only those TI components which TI has specifically designated as military grade or "enhanced plastic" are designed and intended for use in military/aerospace applications or environments. Buyer acknowledges and agrees that any military or aerospace use of TI components which have **not** been so designated is solely at the Buyer's risk, and that Buyer is solely responsible for compliance with all legal and regulatory requirements in connection with such use.

TI has specifically designated certain components as meeting ISO/TS16949 requirements, mainly for automotive use. In any case of use of non-designated products, TI will not be responsible for any failure to meet ISO/TS16949.

Products

Audio	www.ti.com/audio
Amplifiers	amplifier.ti.com
Data Converters	dataconverter.ti.com
DLP® Products	www.dlp.com
DSP	dsp.ti.com
Clocks and Timers	www.ti.com/clocks
Interface	interface.ti.com
Logic	logic.ti.com
Power Mgmt	power.ti.com
Microcontrollers	microcontroller.ti.com
RFID	www.ti-rfid.com
OMAP Applications Processors	www.ti.com/omap
Wireless Connectivity	www.ti.com/wirelessconnectivity

Applications

Automotive and Transportation	www.ti.com/automotive
Communications and Telecom	www.ti.com/communications
Computers and Peripherals	www.ti.com/computers
Consumer Electronics	www.ti.com/consumer-apps
Energy and Lighting	www.ti.com/energy
Industrial	www.ti.com/industrial
Medical	www.ti.com/medical
Security	www.ti.com/security
Space, Avionics and Defense	www.ti.com/space-avionics-defense
Video and Imaging	www.ti.com/video

TI E2E Community

e2e.ti.com