

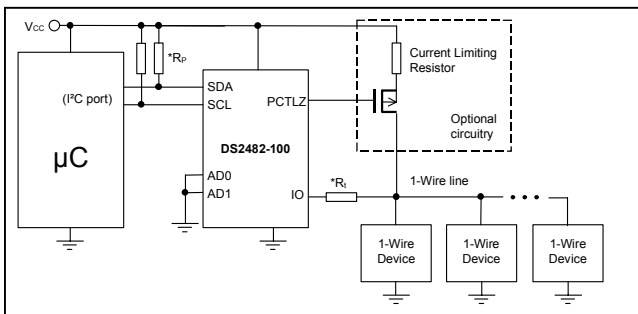
GENERAL DESCRIPTION

The DS2482-100 is an I²C™ to 1-Wire® bridge device that interfaces directly to standard (100kHz max) or fast (400kHz max) I²C masters to perform bi-directional protocol conversion between the I²C master and any downstream 1-Wire slave devices. Relative to any attached 1-Wire slave device, the DS2482-100 is a 1-Wire master. Internal factory trimmed timers relieve the system host processor from generating time-critical 1-Wire waveforms, supporting both standard and Overdrive 1-Wire communication speeds. To optimize 1-Wire waveform generation, the DS2482-100 performs slew rate control on rising and falling 1-Wire edges and provides additional programmable features to match drive characteristics to the 1-Wire slave environment. Programmable strong pullup features support 1-Wire power delivery to 1-Wire devices such as EEPROMs and sensors. The DS2482-100 combines these features with an output to control an external MOSFET for enhanced strong pullup application. The I²C slave address assignment is controlled by two binary address inputs, resolving potential conflicts with other I²C slave devices in the system.

APPLICATIONS

- Printers
- Medical Instruments
- Industrial Sensors
- Cell Phones, PDAs

TYPICAL OPERATING CIRCUIT



I²C is a trademark of Philips Corp. Purchase of I²C components of Maxim Integrated Products, Inc., or one of its Associated Companies, conveys a license under the Philips I²C Patent Rights to use these components in an I²C system, provided that the system conforms to the I²C Standard Specification as defined by Philips.

1-Wire is a Registered Trademark of Dallas Semiconductor.

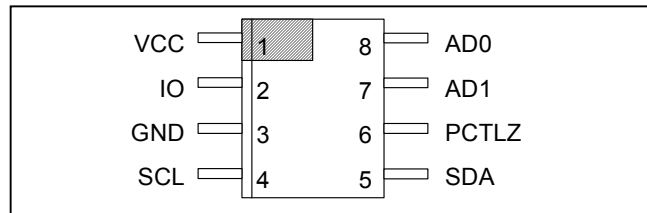
FEATURES

- I²C Host Interface, Supports 100kHz and 400kHz I²C Communication Speeds
- 1-Wire Master IO with Selectable Active or Passive 1-Wire Pullup
- Provides Reset/Presence, 8-Bit, Single-Bit, and Three-Bit 1-Wire IO Sequences
- Standard and Overdrive 1-Wire Communication Speeds
- Slew Controlled 1-Wire Edges
- Selectable 1-Wire Slave Presence-Pulse Falling Edge Masking to Control Fast Edges on the 1-Wire Line
- Supports Low-Impedance 1-Wire Strong Pullup for EEPROMs, Temp Sensors, or Other 1-Wire Slaves that have Momentary High Current Modes
- 2 Address Inputs for I²C Address Assignment
- Wide Operating Range: 2.9V to 5.5V, -40°C to +85°C
- 8-Pin, 150-mil SO Package

ORDERING INFORMATION

PART	TEMP RANGE	PIN-PACKAGE
DS2482S-100	-40 to +85°C	8 SO (150 mil)
DS2482S-100/T&R	-40 to +85°C	8 SO (150 mil)

PIN CONFIGURATION



Note: Some revisions of this device may incorporate deviations from published specifications known as errata. Multiple revisions of any device may be simultaneously available through various sales channels. For information about device errata, click here: www.maxim-ic.com/errata.

ABSOLUTE MAXIMUM RATINGS

Voltage Range on Any Pin Relative to Ground	-0.5V, +6V
Maximum Current into Any Pin	±20mA
Operating Temperature Range	-40°C to +85°C
Junction Temperature	+150°C
Storage Temperature Range	-55°C to +125°C
Soldering Temperature	See IPC/JEDEC J-STD-020A

Stresses beyond those listed under "Absolute Maximum Ratings" may cause permanent damage to the device. These are stress ratings only, and functional operation of the device at these or any other conditions beyond those indicated in the operational sections of the specifications is not implied. Exposure to the absolute maximum rating conditions for extended periods may affect device.

ELECTRICAL CHARACTERISTICS

($V_{CC} = 2.9V$ to $5.5V$, $T_A = -40^\circ C$ to $+85^\circ C$.)

PARAMETER	SYMBOL	CONDITIONS	MIN	TYP	MAX	UNITS
Supply Voltage	V_{CC}	3.3V	2.9	3.3	3.7	V
		5V	4.5	5.0	5.5	
Operating Current	I_{CC}	(Note 1)			0.75	mA
1-Wire Input High	V_{IH1}	3.3V (Notes 2, 3)	1.9			V
		5V (Notes 2, 3)	3.4			
1-Wire Input Low	V_{IL1}	3.3V (Notes 2, 3)			0.75	V
		5V (Notes 2, 3)			1.0	
1-Wire Weak Pullup Resistor	R_{WPU}	(Note 4)	800		1675	Ω
1-Wire Output Low	V_{OL1}	At 4mA load			0.4	V
Active Pullup On Time	t_{APUOT}	Standard (Notes 4, 5)	2.3	2.5	2.7	μs
		Overdrive (Notes 4, 5)	0.4	0.5	0.6	
Strong Pullup Voltage Drop	ΔV_{STRPU}	$V_{CC} \geq 3.2V$, 1.5mA load			0.3	V
		$V_{CC} \geq 5.2V$, 3mA load			0.5	
3.3V Pulldown Slew Rate (Note 6)	PD_{SRC}	Standard (3.3V $\pm 10\%$)	1		4.2	V/ μs
		Overdrive (3.3V $\pm 10\%$)	5		22.1	
5V Pulldown Slew Rate (Note 6)	PD_{SRC}	Standard (5.0V $\pm 10\%$)	2		6.5	V/ μs
		Overdrive (5.0V $\pm 10\%$)	10		40	
3.3V Pullup Slew Rate (Note 6)	PU_{SRC}	Standard (3.3V $\pm 10\%$)	0.8		4	V/ μs
		Overdrive (3.3V $\pm 10\%$)	2.7		20	
5V Pullup Slew Rate (Note 6)	PU_{SRC}	Standard (5.0V $\pm 10\%$)	1.3		6	V/ μs
		Overdrive (5.0V $\pm 10\%$)	3.4		31	
Power-On Reset Trip Point	V_{POR}				2.2	V
1-Wire Timing (Note 5). See Figures 3, 5, 6, and 7.						
Write 1/Read Low Time	t_{W1L}	Standard	7.6	8	8.4	μs
		Overdrive	0.9	1	1.1	
Read Sample Time	t_{MSR}	Standard	13.3	14	15	μs
		Overdrive	1.4	1.5	1.8	
1-Wire Time Slot	t_{slot}	Standard	65.8	69.3	72.8	μs
		Overdrive	9.9	10.5	11.0	
Fall Time High-to-Low at Standard Speed (Note 6)	t_{F1}	3.3V to 0V (Note 7)	0.54		3.0	μs
		5.0V to 0V (Note 7)	0.55		2.2	
Fall Time High-to-Low at Overdrive Speed (Note 6)		3.3V to 0V (Note 7)	0.10		0.59	
		5.0V to 0V (Note 7)	0.09		0.44	

PARAMETER	SYMBOL	CONDITIONS	MIN	TYP	MAX	UNITS
Write-0 Low Time	t_{W0L}	Standard	60	64	68	μs
		Overdrive	7.1	7.5	7.9	
Write-0 Recovery Time	t_{REC0}	Standard	5.0	5.3	5.6	μs
		Overdrive	2.8	3.0	3.2	
Reset Low Time	t_{RSTL}	Standard	570	600	630	μs
		Overdrive	68.4	72	75.6	
Presence Detect Sample Time	t_{MSP}	Standard	66.5	70	73.5	μs
		Overdrive	7.1	7.5	7.9	
Sampling for Short and Interrupt	t_{SI}	Standard	7.6	8	8.4	μs
		Overdrive	0.7	0.75	0.8	
Reset High Time	t_{RSTH}	Standard	554.8	584	613.2	μs
		Overdrive	70.3	74	77.7	
Presence-Pulse Mask Start	t_{ppm1}	(Note 8)	9.5	10	10.5	μs
Presence-Pulse Mask Stop	t_{ppm2}	(Note 8)	57	60	63	μs
Control Pin (PCTLZ)						
Output-Low Voltage	V_{OLP}	$V_{CC} = 2.9\text{V}$, 1.2mA load current			0.4	V
Output-High Voltage	V_{OHP}	0.4mA load current	$V_{CC} - 0.5\text{V}$			V
I²C Pins (Note 9) See Figure 10						
LOW Level Input Voltage	V_{IL}	$V_{CC} = 2.9\text{V}$ to 3.7V	-0.5		$0.25 \times V_{CC}$	V
		$V_{CC} = 4.5\text{V}$ to 5.5V			$0.22 \times V_{CC}$	
HIGH Level Input Voltage	V_{IH}		$0.7 \times V_{CC}$		$V_{CC} + 0.5\text{V}$	V
Hysteresis of Schmitt Trigger Inputs	V_{hys}		$0.05 \times V_{CC}$			V
LOW Level Output Voltage at 3mA Sink Current	V_{OL}				0.4	V
Output Fall Time from V_{IHmin} to V_{ILmax} with a Bus Capacitance from 10pF to 400pF	t_{of}		60		250	ns
Pulse Width of Spikes that are Suppressed by the Input Filter	t_{SP}	SDA and SCL pins only			50	ns
Input Current Each I/O Pin with an Input Voltage Between $0.1V_{CCmax}$ and $0.9V_{CCmax}$	I_i	(Notes 10, 11)	-10		10	μA
Input Capacitance	C_i	(Note 10)			10	pF
SCL Clock Frequency	f_{SCL}		0		400	kHz
Hold Time (Repeated) START Condition. After this Period, the First Clock Pulse is Generated	$t_{HD:STA}$		0.6			μs
LOW Period of the SCL Clock	t_{LOW}		1.3			μs
HIGH Period of the SCL Clock	t_{HIGH}		0.6			μs
Set-Up Time for a Repeated START Condition	$t_{SU:STA}$		0.6			μs
Data Hold Time	$t_{HD:DAT}$	(Notes 12, 13)			0.9	μs
Data Set-Up Time	$t_{SU:DAT}$	(Note 14)	250			ns
Set-Up Time for STOP Condition	$t_{SU:STO}$		0.6			μs

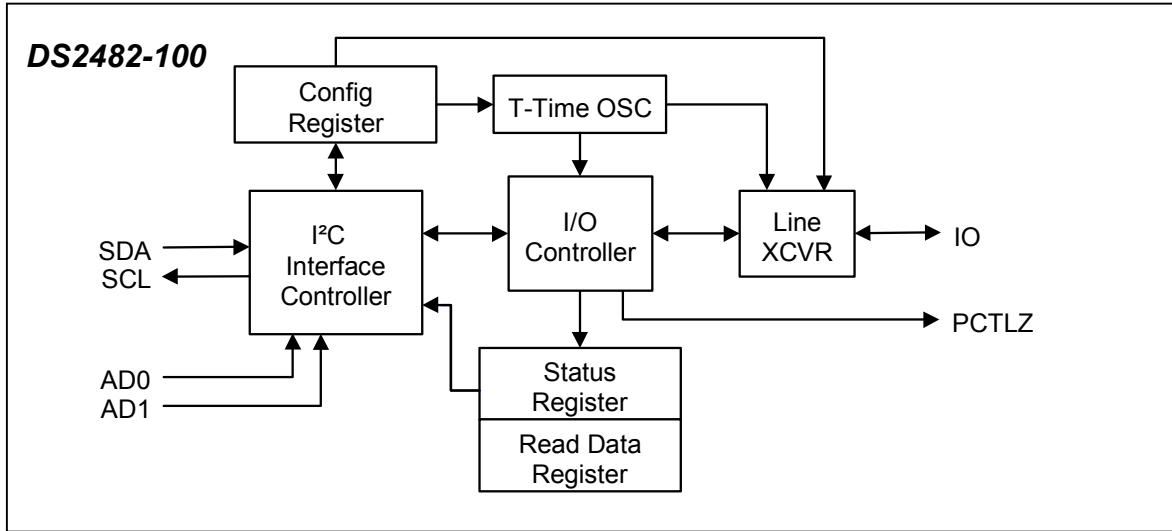
PARAMETER	SYMBOL	CONDITIONS	MIN	TYP	MAX	UNITS
Bus Free Time Between a STOP and START Condition	t_{BUF}		1.3			μs
Capacitive Load for Each Bus Line	C_b	(Note 15)			400	pF
Oscillator Warm-Up Time	t_{OSCWUP}	(Note 16)			100	μs

- Note 1:** Operating current with 1-Wire write byte sequence followed by continuous Read of Status register at 400kHz in Overdrive.
- Note 2:** With standard speed the total capacitive load of the 1-Wire bus should not exceed 1nF, otherwise the passive pullup on threshold V_{IL1} may not be reached in the available time. With Overdrive speed the capacitive load on the 1-Wire bus must not exceed 300pF.
- Note 3:** Active pullup guaranteed to turn on between V_{IL1MAX} and V_{IH1MIN} .
- Note 4:** Active or resistive pullup choice is configurable.
- Note 5:** Except for t_{F1} , all 1-Wire timing specifications and t_{APUOT} are derived from the same timing circuit. Therefore, if one of these parameters is found to be off the typical value, it is safe to assume that all of these parameters deviate from their typical value in the same direction and by the same degree.
- Note 6:** These values apply at full load, i.e., 1nF at standard speed and 0.3nF at Overdrive speed. For reduced load, the pulldown slew rate is slightly faster.
- Note 7:** Fall time high-to-low (t_{F1}) is derived from PD_{SRC} , referenced from $0.9 \times V_{CC}$ to $0.1 \times V_{CC}$.
- Note 8:** Presence-pulse masking only applies to standard speed.
- Note 9:** All I²C timing values are referred to V_{IHmin} and V_{ILmax} levels.
- Note 10:** Applies to SDA, SCL, and AD0, AD1.
- Note 11:** I/O pins of the DS2482 do not obstruct the SDA and SCL lines if V_{CC} is switched off.
- Note 12:** The DS2482 provides a hold time of at least 300ns for the SDA signal (referred to the V_{IHmin} of the SCL signal) to bridge the undefined region of the falling edge of SCL.
- Note 13:** The maximum $t_{HD:DAT}$ has only to be met if the device does not stretch the LOW period (t_{LOW}) of the SCL signal.
- Note 14:** A fast-mode I²C-bus device can be used in a standard-mode I²C-bus system, but the requirement $t_{SU:DAT} \geq 250ns$ must then be met. This is automatically the case if the device does not stretch the LOW period of the SCL signal. If such a device does stretch the LOW period of the SCL signal, it must output the next data bit to the SDA line $t_{rmax} + t_{SU:DAT} = 1000 + 250 = 1250ns$ (according to the standard-mode I²C-bus specification) before the SCL line is released.
- Note 15:** C_b = total capacitance of one bus line in pF. If mixed with HS-mode devices, faster fall times according to I²C-bus Specification v2.1 are allowed.
- Note 16:** I²C communication should not take place for the max t_{OSCWUP} time following a power-on reset.

PIN DESCRIPTION

PIN	NAME	FUNCTION
1	V_{CC}	Power Supply Input
2	IO	IO Driver for 1-Wire Line
3	GND	Ground Reference
4	SCL	I ² C Serial Clock Input. Must be tied to V_{CC} through a pullup resistor.
5	SDA	I ² C Serial Data Input/Output. Must be tied to V_{CC} through a pullup resistor.
6	PCTLZ	Active-low control output for an external P-channel MOSFET to provide extra power to the 1-Wire line, e.g., for use with 1-Wire devices that require a higher current temporarily to operate.
7	AD1	I ² C Address Inputs. Must be tied to V_{CC} or GND. These inputs determine the I ² C slave address of the device (see Figure 9).
8	AD0	

Figure 1. Block Diagram



DETAILED DESCRIPTION

The DS2482-100 is a self-timed 1-Wire master, which supports advanced 1-Wire waveform features including standard and Overdrive speeds, active pullup, strong pullup for power delivery, and presence-pulse masking. Once supplied with command and data, the I/O controller of the DS2482 performs time-critical 1-Wire communication functions such as reset/presence detect cycle, read-byte, write-byte, single-bit R/W and triplet for ROM Search, without requiring interaction with the host processor. The host obtains feedback (completion of a 1-Wire function, presence pulse, 1-Wire short, search direction taken) through the Status register and data through the Read Data register. The DS2482 communicates with a host processor through its I²C bus interface in standard mode or in fast mode. The logic state of two address pins determines the I²C slave address of the DS2482, allowing up to four devices operating on the same bus segment without requiring a hub.

DEVICE REGISTERS

The DS2482 has three registers that the I²C host can read: Configuration, Status, and Read Data. These registers are addressed by a read pointer. The position of the read pointer, i.e., the register that the host reads in a subsequent read access, is defined by the instruction that the host has DS2482 executed last. The host has read and write access to the Configuration register to enable certain 1-Wire features.

Configuration Register

The DS2482 supports allows four 1-Wire features that are enabled or selected through the Configuration register. These features are:

- Active Pullup (APU)
- Presence Pulse Masking (PPM)
- Strong Pullup (SPU)
- 1-Wire Speed (1WS)

These features can be selected in any combination. While APU, PPM, and 1WS maintain their state, SPU returns to its inactive state as soon as the strong pullup has ended.

Configuration Register Bit Assignment

bit 7	bit 6	bit 5	bit 4	bit 3	bit 2	bit 1	bit 0
$\overline{1WS}$	\overline{SPU}	\overline{PPM}	\overline{APU}	1WS	SPU	PPM	APU

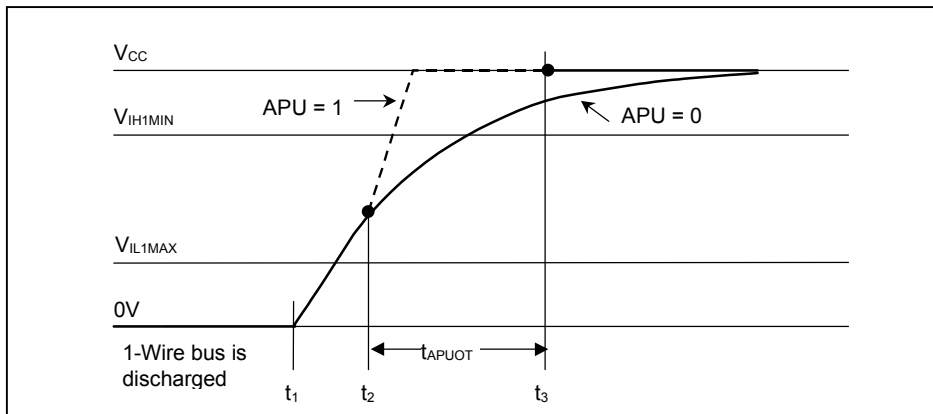
After a device reset (power-up cycle or initiated by the Device Reset command) the Configuration register reads 00h. When writing to the Configuration register, the new data is accepted only if the upper nibble (bits 7 to 4) is the one's complement of the lower nibble (bits 3 to 0). When read, the upper nibble is always 0h.

Active Pullup (APU)

The APU bit controls whether an active pullup (controlled slew-rate transistor) or a passive pullup (R_{WPU} resistor) is used to drive a 1-Wire line from low to high. When $APU = 0$, active pullup is disabled (resistor mode). Active Pullup should be selected if the 1-Wire line has a substantial length (several 10m) or if there is a large number (~20 or more) of devices connected to a 1-Wire line. **The active pullup does not apply to the rising edge of a presence pulse or a recovery after a short on the 1-Wire line.**

The circuit that controls rising edges (Figure 2) operates as follows: At t_1 the pulldown (from DS2482 or 1-Wire slave) ends. From this point on the 1-Wire bus is pulled high through R_{WPU} internal to the DS2482. V_{CC} and the capacitive load of the 1-Wire line determine the slope. In case that active pullup is disabled ($APU = 0$), the resistive pullup continues, as represented by the solid line. With active pullup enabled ($APU = 1$), when at t_2 the voltage has reached a level between V_{IL1max} and V_{IH1min} , the DS2482 actively pulls the 1-Wire line high applying a controlled slew rate, as represented by the dashed line. The active pullup continues until t_{APUOT} is expired at t_3 . From that time on the resistive pullup will continue.

Figure 2. Rising Edge Pullup

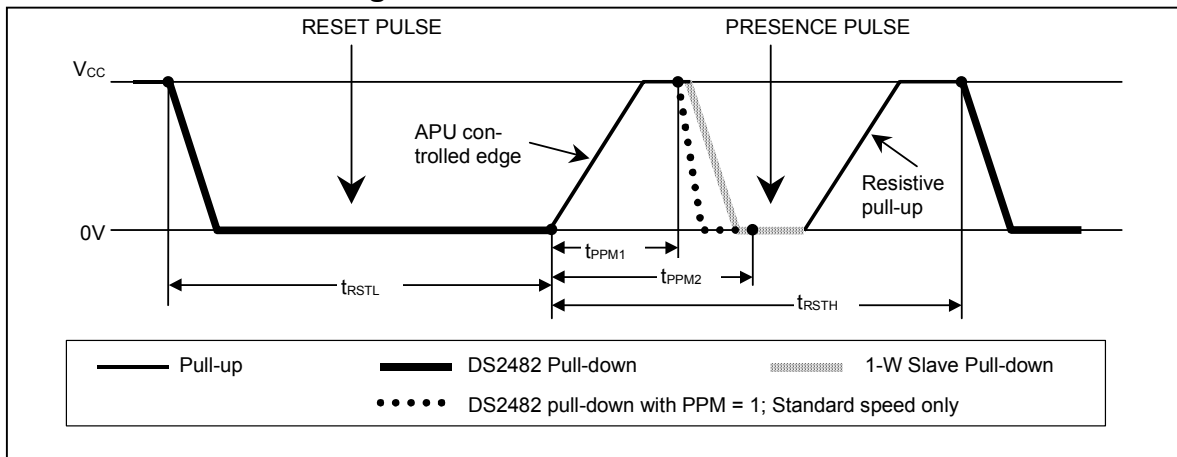


Presence-Pulse Masking (PPM)

The PPM bit controls whether the DS2482 masks the leading edge (falling) of presence pulses. When $PPM = 0$, masking is disabled. Presence pulse masking applies only to standard 1-Wire speed ($1WS = 0$); this bit has no function if $1WS = 1$ (Overdrive speed). Presence-Pulse Masking can improve the performance of large 1-Wire networks since it prevents the fast falling edge of a presence pulse generated by a 1-Wire slave device from propagating through the network and getting reflected. Reflections can cause glitches in the network that in turn can cause slave devices to lose synchronization with the 1-Wire master.

Figure 3 shows the timing references for the Presence-Pulse Masking. If enabled ($PPM = 1$), the DS2482 begins pulling the 1-Wire line low at t_{PPM1} after the reset low time t_{RSTL} is expired. The pulldown ends at t_{PPM2} , at which a 1-Wire slave, if present, is pulling the 1-Wire line low. The falling edge of the presence-pulse mask is slew-rate controlled.

Figure 3. Presence-Pulse Masking

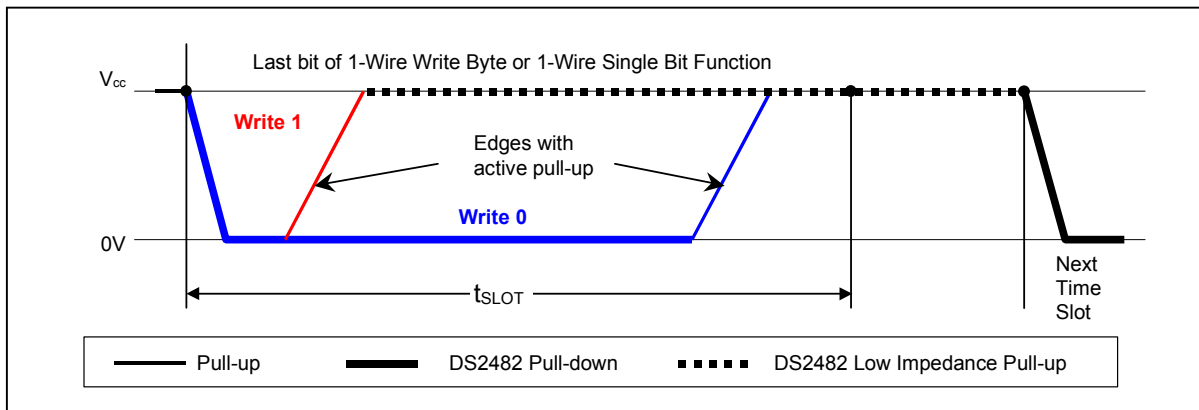


Strong Pullup (SPU)

The SPU bit controls whether the DS2482 will apply a low impedance pullup to V_{CC} on the 1-Wire line after the last bit of either a **1-Wire Write Byte** command or after a **1-Wire Single Bit** command has completed. The strong pullup feature is commonly used with 1-Wire EEPROM devices when copying scratchpad data to the main memory or when performing a SHA-1 computation, and with parasitically powered temperature sensors or A-to-D converters. The respective device data sheets specify the location in the communications protocol after which the strong pullup should be applied. The SPU bit in the Configuration register of the DS2482 must be set immediately prior to issuing the command that puts the 1-Wire device into the state where it needs the extra power.

If SPU is 1, the DS2482 applies **active pullup** to the rising edge of the time slot in which the strong pullup starts, regardless of the APU bit setting. However, in contrast to setting $APU = 1$ for active pullup, the low-impedance pullup does not end after t_{APUOT} is expired. Instead, as shown in Figure 4, the low-impedance pullup remains active until either the next 1-Wire communication command is issued (the typical case), the Configuration register is written to with the SPU bit being 0, or the Device Reset command is issued. The PCTLZ control output is active low for the entire duration of the low-impedance pullup, enabling an external p-channel MOSFET to supply additional power to the 1-Wire line. PCTLZ remains inactive (high) at all other time slots that do not use the strong pullup feature. Additionally, when the pullup ends, the SPU bit is automatically reset to 0. Using the strong pullup does not change the state of the APU bit in the Configuration register.

Figure 4. Low-Impedance Pullup Timing



1-Wire Speed (1WS)

The 1WS bit determines the timing of any 1-Wire communication generated by the DS2482. All 1-Wire slave devices support standard speed ($1WS = 0$), where the transfer of a single bit (t_{SLOT} in Figure 4) is completed within $65\mu s$. Many 1-Wire device can also communicate at a higher data rate, called Overdrive speed. To change from standard to Overdrive speed, a 1-Wire device needs to receive an Overdrive Skip ROM or Overdrive Match ROM command, as explained in the device data sheets. The change in speed occurs immediately after the 1-Wire device has received the speed-changing command code. The DS2482 must take part in this speed change to stay synchronized. This is accomplished by writing to the Configuration register with the 1WS bit being 1 **immediately after** the 1-Wire Byte command that changes the speed of a 1-Wire device. Writing to the Configuration register with the 1WS bit being 0 followed by a 1-Wire Reset command changes the DS2482 and any 1-Wire devices on the active 1-Wire line back to standard speed.

Status Register

The read-only Status register is the general means for the DS2482 to report bit-type data from the 1-Wire side, 1-Wire busy status and its own reset status to the host processor. All 1-Wire communication commands and the Device Reset command position the read pointer at the Status register for the host processor to read with minimal protocol overhead. Status information is updated during the execution of certain commands only. Details are given in the description of the various status bits below.

Status Register Bit Assignment

bit 7	bit 6	bit 5	bit 4	bit 3	bit 2	bit 1	bit 0
DIR	TSB	SBR	RST	LL	SD	PPD	1WB

1-Wire Busy (1WB)

The 1WB bit reports to the host processor whether the 1-Wire line is busy. During 1-Wire communication 1WB is 1; once the command is completed, 1WB returns to its default 0. Details on when 1WB changes state and for how long it remains at 1 are found in the *Function Commands* section.

Presence-Pulse Detect (PPD)

The PPD bit is updated with every 1-Wire Reset command. If the DS2482 detects a presence pulse from a 1-Wire device at t_{MSP} during the Presence Detect cycle, the PPD bit will be set to 1. This bit returns to its default 0 if there is no presence pulse or if the 1-Wire line is shorted during a subsequent 1-Wire Reset command.

Short Detected (SD)

The SD bit is updated with every 1-Wire Reset command. If the DS2482 detects a logic 0 on the 1-Wire line at t_{SI} during the Presence Detect cycle, the SD bit is set to 1. This bit returns to its default 0 with a subsequent 1-Wire Reset command provided that the short has been removed. If SD is 1, PPD is 0. The DS2482 cannot distinguish between a short and a DS1994 or DS2404 signaling a 1-Wire interrupt. For this reason, if a DS2404/DS1994 is used in the application, the interrupt function must be disabled. The interrupt signaling is explained in the respective device data sheets.

Logic Level (LL)

The LL bit reports the logic state of the active 1-Wire line without initiating any 1-Wire communication. The 1-Wire line is sampled for this purpose every time the Status register is read. The sampling and updating of the LL bit takes place when the host processor has addressed the DS2482 in read mode (during the acknowledge cycle), provided that the Read Pointer is positioned at the Status register.

Device Reset (RST)

If the RST bit is 1, the DS2482 has performed an internal reset cycle, either caused by a power-on reset or from executing the Device Reset command. The RST bit is cleared automatically when the DS2482 executes a Write Configuration command to restore the selection of the desired 1-Wire features.

Single Bit Result (SBR)

The SBR bit reports the logic state of the active 1-Wire line sampled at t_{MSR} of a 1-Wire Single Bit command or the first bit of a 1-Wire Triplet command. The power-on default of SBR is 0. If the 1-Wire Single Bit command sends a 0-bit, SBR should be 0. With a 1-Wire Triplet command, SBR could be 0 as well as 1, depending on the response of the 1-Wire devices connected. The same result applies to a 1-Wire Single Bit command that sends a 1-bit.

Triplet Second Bit (TSB)

The TSB bit reports the logic state of the active 1-Wire line sampled at t_{MSR} of the second bit of a 1-Wire Triplet command. The power-on default of TSB is 0. This bit is updated only with a 1-Wire Triplet command and has no function with other commands.

Branch Direction taken (DIR)

Whenever a 1-Write Triplet command is executed, this bit reports to the host processor the search direction that was chosen by the 3rd bit of the triplet. The power-on default of DIR is 0. This bit is updated only with a 1-Wire Triplet command and has no function with other commands. For additional information see the description of the 1-Wire Triplet command and the Dallas Application Note 187, "1-Wire Search Algorithm".

FUNCTION COMMANDS

The DS2482 understands eight function commands, which fall into four categories: device control, I²C communication, 1-Wire set-up and 1-Wire communication. The feedback path to the host is controlled by a read pointer, which is set automatically by each function command for the host to efficiently access relevant information. The host processor sends these commands and applicable parameters as strings of one or two bytes using the I²C interface. The I²C protocol requires that each byte be acknowledged by the receiving party to confirm acceptance or not be acknowledged to indicate an error condition (invalid code or parameter) or to end the communication. Details of the I²C protocol including acknowledge are found in the I²C interface description of this document.

Device Reset

Command Code	F0h
Command Parameter	None
Description	Performs a global reset of device state machine logic. Terminates any ongoing 1-Wire communication.
Typical Use	Device initialization after power-up; re-initialization (reset) as desired.
Restriction	None (can be executed at any time)
Error Response	None
Command Duration	Maximum 525ns, counted from falling SCL edge of the command code acknowledge bit.
1-Wire Activity	Ends maximum 262.5ns after the falling SCL edge of the command code acknowledge bit.
Read Pointer Position	Status register (for busy polling)
Status Bits Affected	RST set to 1, 1WB, PPD, SD, SBR, TSB, DIR set to 0
Configuration Bits Affected	1WS, APU, PPM, SPU set to 0

Set Read Pointer

Command Code	E1h
Command Parameter	Pointer Code
Description	Sets the Read Pointer to the specified register. Overwrites the read pointer position of any 1-Wire communication command in progress.
Typical Use	To prepare reading the result from a 1-Wire Byte command; random read access of registers.
Restriction	None (can be executed at any time)
Error Response	If the pointer code is not valid, the pointer code is not acknowledged and the command is ignored.
Command Duration	None; the read pointer is updated on the rising SCL edge of the pointer code acknowledge bit.
1-Wire Activity	Not affected
Read Pointer Position	As specified by the pointer code
Status Bits Affected	None
Configuration Bits Affected	None

Valid Pointer Codes

Register Selection	Code
Status Register	F0h
Read Data Register	E1h
Configuration Register	C3h

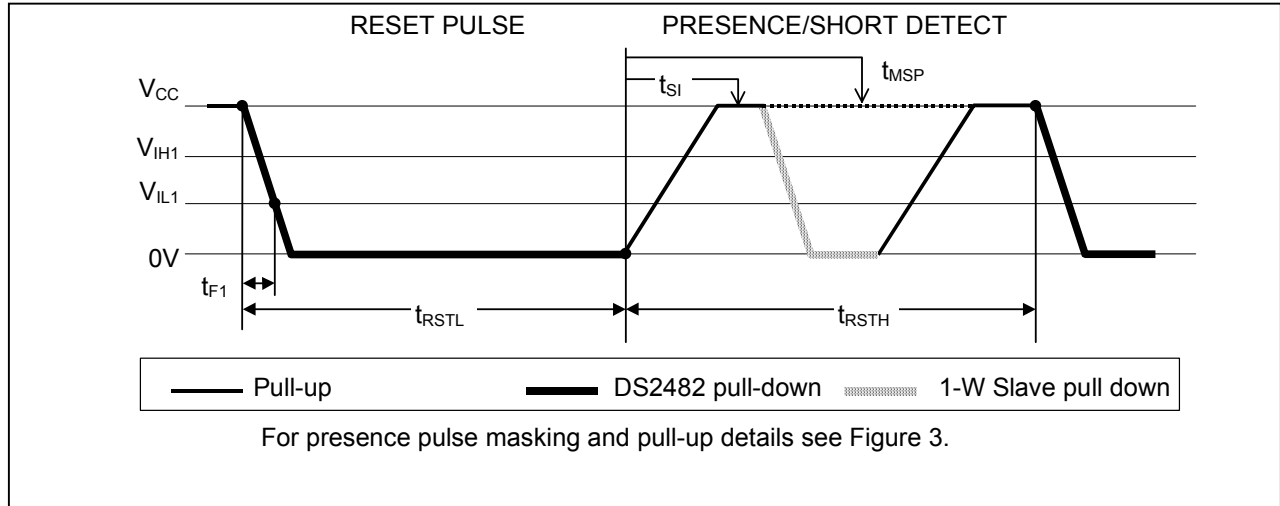
Write Configuration

Command Code	D2h
Command Parameter	Configuration Byte
Description	Writes a new configuration byte. The new settings take effect immediately. NOTE: When writing to the Configuration register, the new data is accepted only if the upper nibble (bits 7 to 4) is the one's complement of the lower nibble (bits 3 to 0). When read, the upper nibble is always 0h.
Typical Use	Defining the features for subsequent 1-Wire communication.
Restriction	1-Wire activity must have ended before the DS2482 can process this command.
Error Response	Command code and parameter are not acknowledged if 1WB = 1 at the time the command code is received and the command is ignored.
Command Duration	None; the Configuration register is updated on the rising SCL edge of the configuration byte acknowledge bit.
1-Wire Activity	None
Read Pointer Position	Configuration register (to verify write)
Status Bits Affected	RST set to 0
Configuration Bits Affected	1WS, SPU, PPM, APU updated

1-Wire Reset

Command Code	B4h
Command Parameter	None
Description	Generates a 1-Wire Reset/Presence Detect cycle (Figure 5) at the 1-Wire line. The state of the 1-Wire line is sampled at t_{SI} and t_{MSP} and the result is reported to the host processor through the Status register, bits PPD and SD.
Typical Use	To initiate or end any 1-Wire communication sequence.
Restriction	1-Wire activity must have ended before the DS2482 can process this command.
Error Response	Command code is not acknowledged if 1WB = 1 at the time the command code is received and the command is ignored.
Command Duration	$t_{RSTL} + t_{RSTH} + \text{maximum } 262.5\text{ns}$, counted from the falling SCL edge of the command code acknowledge bit.
1-Wire Activity	Begins maximum 262.5ns after the falling SCL edge of the command code acknowledge bit.
Read Pointer Position	Status register (for busy polling)
Status Bits Affected	1WB (set to 1 for $t_{RSTL} + t_{RSTH}$), PPD is updated at $t_{RSTL} + t_{MSP}$, SD is updated at $t_{RSTL} + t_{SI}$
Configuration Bits Affected	1WS, PPM, APU apply

Figure 5. 1-Wire Reset/Presence Detect Cycle



1-Wire Single Bit

Command Code	87h
Command Parameter	Bit Byte
Description	Generates a single 1-Wire time slot with a bit value 'V' as specified by the bit byte at the 1-Wire line. A 'V' value of 0b generates a write-zero time slot (Figure 6), a value of 1b generates a write-one slot, which also functions as a read-data time slot (Figure 7). In either case the logic level at the 1-Wire line is tested at t_{MSR} and SBR is updated.
Typical Use	To perform single bit writes or reads at the 1-Wire line when single bit communication is necessary (the exception).
Restriction	1-Wire activity must have ended before the DS2482 can process this command.
Error Response	Command code and bit byte are not acknowledged if 1WB = 1 at the time the command code is received and the command is ignored.
Command Duration	$t_{SLOT} + \text{maximum } 262.5\text{ns}$, counted from the falling SCL edge of the first bit (MS bit) of the bit byte.
1-Wire Activity	Begins maximum 262.5ns after the falling SCL edge of the MS bit of the bit byte.
Read Pointer Position	Status register (for busy polling and data reading)
Status Bits Affected	1WB (set to 1 for t_{SLOT}) SBR is updated at t_{MSR} DIR (may change its state)
Configuration Bits Affected	1WS, APU, SPU apply

Bit Allocation in the Bit Byte

bit 7	bit 6	bit 5	bit 4	bit 3	bit 2	bit 1	bit 0
V	x	x	x	x	x	x	x

x = don't care

Figure 6. Write-0 Time Slot

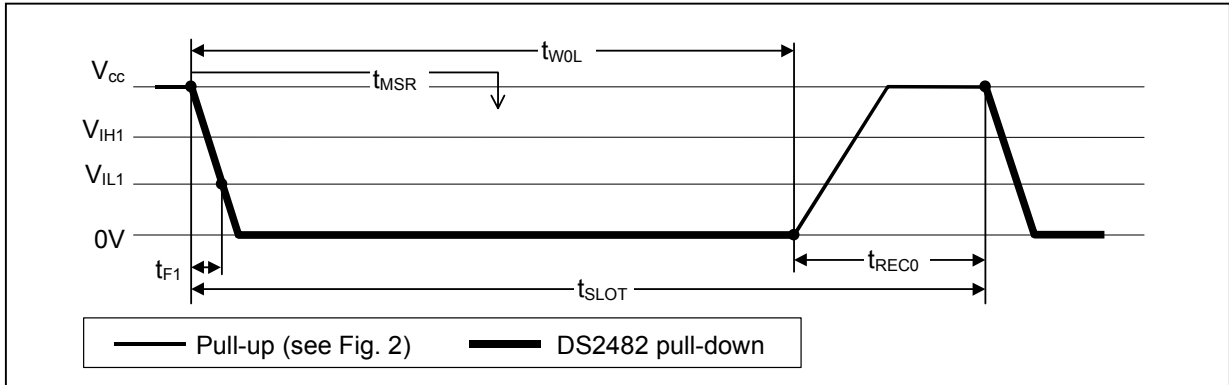
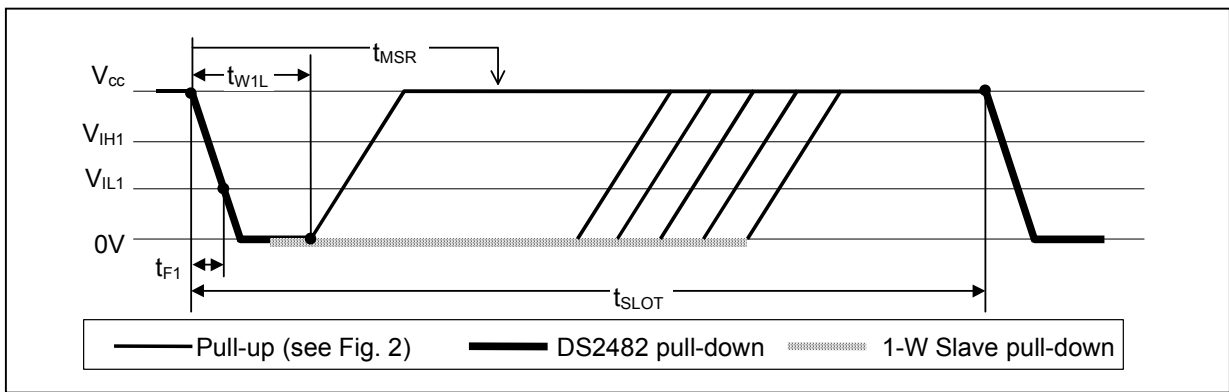


Figure 7. Write-1 and Read-Data Time Slot



NOTE on Figure 7: Depending on its internal state, a 1-Wire slave device transmits data to its master (e.g., the DS2482). When responding with a 0, a 1-Wire slave starts pulling the line low during t_{W1L} ; its internal timing generator determines when this pulldown ends and the voltage starts rising again. When responding with a 1, a 1-Wire slave does not hold the line low at all, and the voltage starts rising as soon as t_{W1L} is over. 1-Wire device data sheets use the term t_{RL} instead of t_{W1L} to describe a Read-Data Time Slot. Technically, t_{RL} and t_{W1L} have identical specifications and cannot be distinguished from each other.

1-Wire Write Byte

Command Code	A5h
Command Parameter	Data Byte
Description	Writes single data byte to the 1-Wire line.
Typical Use	To write commands or data to the 1-Wire line; equivalent to executing eight 1-Wire Single Bit commands, but faster due to less I ² C traffic.
Restriction	1-Wire activity must have ended before the DS2482 can process this command.
Error Response	Command code and data byte are not acknowledged if 1WB = 1 at the time the command code is received and the command will be ignored.
Command Duration	$8 \times t_{SLOT} + \text{maximum } 262.5\text{ns}$, counted from falling edge of the last bit (LS bit) of the data byte.
1-Wire Activity	<p>Begins maximum 262.5ns after falling SCL edge of the LS bit of the data byte (i.e., before the data byte acknowledge).</p> <p>NOTE: The bit order on the I²C bus and the 1-Wire line is different. (1-Wire: LS-bit first; I²C: MS-bit first) Therefore, 1-Wire activity cannot begin before the DS2482 has received the full data byte.</p>
Read Pointer Position	Status register (for busy polling)
Status Bits Affected	1WB (set to 1 for $8 \times t_{SLOT}$)
Configuration Bits Affected	1WS, SPU, APU apply

1-Wire Read Byte

Command Code	96h
Command Parameter	None
Description	Generates eight read-data time slots on the 1-Wire line and stores result in the Read Data register.
Typical Use	To read data from the 1-Wire line; equivalent to executing eight 1-Wire Single Bit commands with $V = 1$ (write-1 time slot), but faster due to less I ² C traffic.
Restriction	1-Wire activity must have ended before the DS2482 can process this command.
Error Response	Command code is not acknowledged if 1WB = 1 at the time the command code is received and the command is ignored.
Command Duration	$8 \times t_{\text{SLOT}} + \text{maximum } 262.5\text{ns}$, counted from the falling SCL edge of the command code acknowledge bit.
1-Wire Activity	Begins maximum 262.5ns after the falling SCL edge of the command code acknowledge bit.
Read Pointer Position	Status register (for busy polling) NOTE: To read the data byte received from the 1-Wire line, issue the Set Read Pointer command and select the Read Data register. Then access the DS2482 in read mode.
Status Bits Affected	1WB (set to 1 for $8 \times t_{\text{SLOT}}$)
Configuration Bits Affected	1WS, APU apply

1-Wire Triplet

Command Code	78h
Command Parameter	Direction Byte
Description	Generates three time slots, two read time slots and one write time slot at the 1-Wire line. The type of write time slot depends on the result of the read time slots and the direction byte. The direction byte determines the type of write time slot if both read time slots are 0 (a typical case). In this case the DS2482 generates a write 1-time slot if $V = 1$ and a write-0 time slot if $V = 0$. If the read time slots are 0 and 1, there follows a write-0 time slot. If the read time slots are 1 and 0, there follows a write-1 time slot. If the read time slots are both 1 (error case), the subsequent write time slot is a write 1.
Typical Use	To perform a 1-Wire Search ROM sequence; a full sequence requires this command to be executed 64 times to identify and address one device.
Restriction	1-Wire activity must have ended before the DS2482 can process this command.
Error Response	Command code and direction byte is not acknowledged if 1WB = 1 at the time the command code is received and the command will be ignored.
Command Duration	$3 \times t_{\text{SLOT}} + \text{maximum } 262.5\text{ns}$, counted from the falling SCL edge of the first bit (MS bit) of the direction byte.
1-Wire Activity	Begins maximum 262.5ns after the falling SCL edge of the MS bit of the direction byte.
Read Pointer Position	Status register (for busy polling)
Status Bits Affected	1WB (set to 1 for $3 \times t_{\text{SLOT}}$) SBR is updated at the first t_{MSR} TSB and DIR are updated at the second t_{MSR} (i. e., at $t_{\text{SLOT}} + t_{\text{MSR}}$)
Configuration Bits Affected	1WS, APU apply

Bit Allocation in the Direction Byte

bit 7	bit 6	bit 5	bit 4	bit 3	bit 2	bit 1	bit 0
V	x	x	x	x	x	x	x

x = don't care

I²C INTERFACE

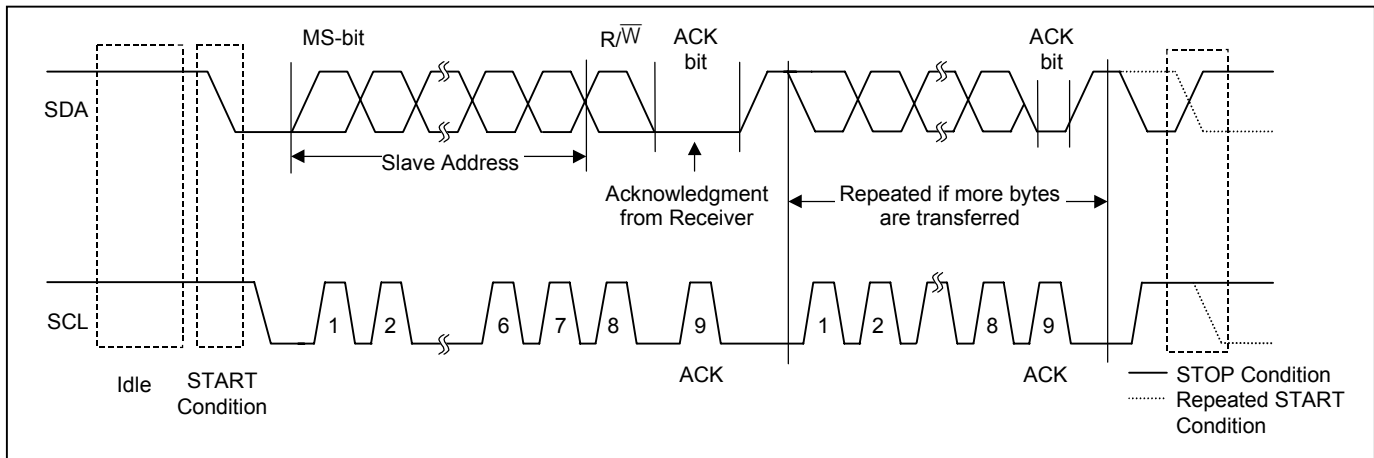
General Characteristics

The I²C bus uses a data line (SDA) plus a clock signal (SCL) for communication. Both SDA and SCL are bidirectional lines, connected to a positive supply voltage through a pullup resistor. When there is no communication, both lines are HIGH. The output stages of devices connected to the bus must have an open-drain or open-collector to perform the wired-AND function. Data on the I²C-bus can be transferred at rates of up to 100kbps in the standard mode, up to 400kbps in the fast mode. The DS2482 works in both modes.

A device that sends data on the bus is defined as a transmitter, and a device receiving data as a receiver. The device that controls the communication is called a “master.” The devices that are controlled by the master are “slaves.” To be individually accessed, each device must have a slave address that does not conflict with other devices on the bus.

Data transfers may be initiated only when the bus is not busy. The master generates the serial clock (SCL), controls the bus access, generates the START and STOP conditions, and determines the number of data bytes transferred between START and STOP (Figure 8). Data is transferred in bytes with the most significant bit being transmitted first. After each byte follows an acknowledge bit to allow synchronization between master and slave.

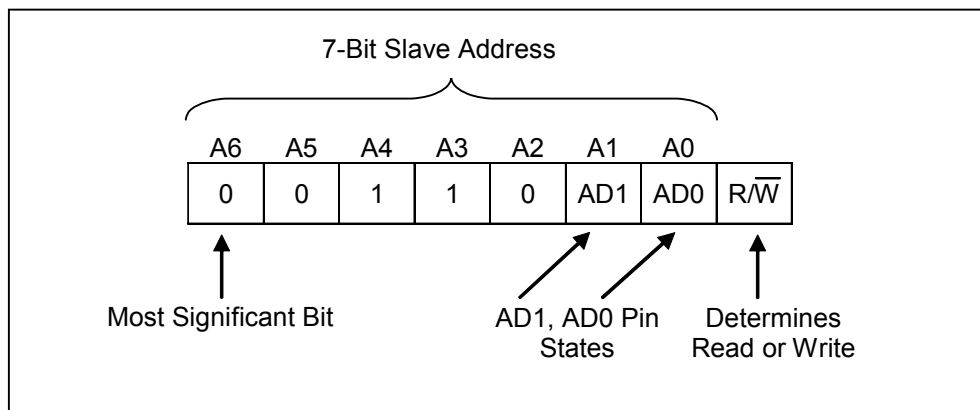
Figure 8. I²C Protocol Overview



Slave Address

The slave address to which the DS2482 responds is shown in Figure 9. The logic states at the address pins AD0 and AD1 determine the value of the address bits A0 and A1. The address pins allow the device to respond to one of four possible slave addresses. The slave address is part of the slave-address/control byte. The last bit of the slave-address/control byte (R/\bar{W}) defines the data direction. When set to a 0, subsequent data flows from master to slave (write access); when set to a 1, data flows from slave to master (read access).

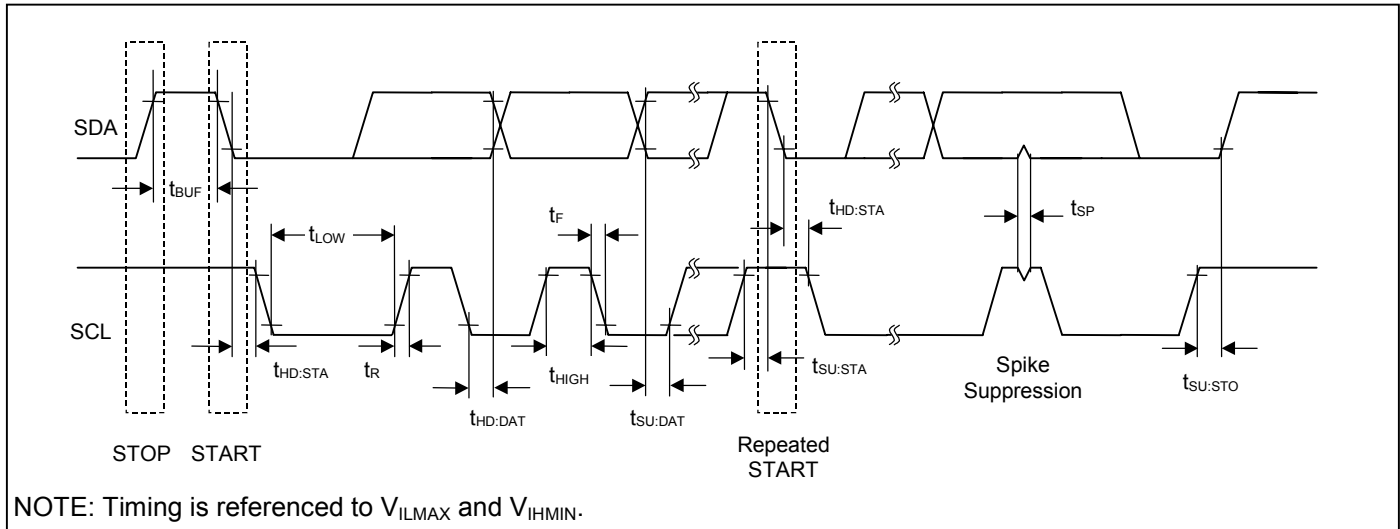
Figure 9. DS2482 Slave Address



I²C Definitions

The following terminology is commonly used to describe I²C data transfers. The timing references are defined in Figure 10.

Figure 10. I²C Timing Diagram



Bus Idle or Not Busy: Both, SDA and SCL, are inactive and in their logic HIGH states.

START Condition: To initiate communication with a slave, the master has to generate a START condition. A START condition is defined as a change in state of SDA from HIGH to LOW while SCL remains HIGH.

STOP Condition: To end communication with a slave, the master has to generate a STOP condition. A STOP condition is defined as a change in state of SDA from LOW to HIGH while SCL remains HIGH.

Repeated START Condition: Repeated starts are commonly used for read accesses to select a specific data source or address to read from. The master can use a repeated START condition at the end of a data transfer to immediately initiate a new data transfer following the current one. A repeated START condition is generated the same way as a normal START condition, but without leaving the bus idle after a STOP condition.

Data Valid: With the exception of the START and STOP condition, transitions of SDA may occur only during the LOW state of SCL. The data on SDA must remain valid and unchanged during the entire high pulse of SCL plus the required setup and hold time ($t_{HD:DAT}$ after the falling edge of SCL and $t_{SU:DAT}$ before the rising edge of SCL, see Figure 10). There is one clock pulse per bit of data. Data is shifted into the receiving device during the rising edge of the SCL.

When finished with writing, the master must release the SDA line for a sufficient amount of setup time (minimum $t_{SU:DAT} + t_R$ in Figure 10) before the next rising edge of SCL to start reading. The slave shifts out each data bit on SDA at the falling edge of the previous SCL pulse and the data bit is valid at the rising edge of the current SCL pulse. The master generates all SCL clock pulses, including those needed to read from a slave.

Acknowledge: Usually, a receiving device, when addressed, is obliged to generate an acknowledge after the receipt of each byte. The master must generate a clock pulse that is associated with this acknowledge bit. A device that acknowledges must pull SDA LOW during the acknowledge clock pulse in such a way that SDA is stable LOW during the HIGH period of the acknowledge-related clock pulse plus the required setup and hold time ($t_{HD:DAT}$ after the falling edge of SCL and $t_{SU:DAT}$ before the rising edge of SCL).

Not Acknowledged by Slave: A slave device may be unable to receive or transmit data, e.g., because it is busy performing some real-time function. In this case the slave device does not acknowledge its slave address and leaves the SDA line HIGH.

A slave device that is ready to communicate will acknowledge at least its slave address. However, some time later the slave may refuse to accept data, e.g., because of an invalid command code or parameter. In this case the slave device does not acknowledge any of the bytes that it refuses and leaves SDA HIGH. In either case, after a slave has failed to acknowledge, the master first needs to generate a repeated START condition or a STOP condition followed by a START condition to begin a new data transfer.

Not Acknowledged by Master: At some time when receiving data, the master must signal an end of data to the slave device. To achieve this, the master does not acknowledge the last byte that it has received from the slave. In response, the slave releases SDA, allowing the master to generate the STOP condition.

Writing to the DS2482

To write to the DS2482, the master must access the device in write mode, i.e., the slave address must be sent with the direction bit set to 0. The next byte to be sent is a command code, which, depending on the command, may be followed by a command parameter. The DS2482 acknowledges valid command codes and expected/valid command parameters. Additional bytes or invalid command parameters are never acknowledged.

Reading from the DS2482

To read from the DS2482, the master must access the device in read mode, i.e., the slave address must be sent with the direction bit set to 1. The read pointer determines the register that the master will read from. The master may continue reading the same register over and over again, without having to re-address the device, e.g., to watch the 1WB changing from 1 to 0. To read from a different register, the master must issue the Set Read Pointer command and then access the DS2482 again in read mode.

I²C Communication—Legend

SYMBOL	DESCRIPTION
S	START Condition
AD, 0	Select DS2482 for Write Access
AD, 1	Select DS2482 for Read Access
Sr	Repeated START Condition
P	STOP Condition
A	Acknowledged
A\	Not Acknowledged
(Idle)	Bus Not Busy
<byte>	Transfer of One Byte

SYMBOL	DESCRIPTION
DRST	Command "Device Reset", F0h
WCFG	Command "Write Configuration", D2h
SRP	Command "Set Read Pointer", E1h
1WRS	Command "1-Wire Reset", B4h
1WWB	Command "1-Wire Write Byte", A5h
1WRB	Command "1-Wire Read Byte", 96h
1WSB	Command "1-Wire Single Bit", 87h
1WT	Command "1-Wire Triplet", 78h

Data Direction Codes

Master-to-Slave	Slave-to-Master
-----------------	-----------------

I²C Communication Examples

Device Reset, e.g., After Power-Up

S	AD,0	A	DRST	A	Sr	AD,1	A	<byte>	A\	P
---	------	---	------	---	----	------	---	--------	----	---

This example includes an optional read access to verify the success of the command.

Write Configuration, e.g., Before Starting 1-Wire Activity Power-Up

Case A: 1-Wire Idle (1WB = 0)

S	AD,0	A	WCFG	A	<byte>	A	Sr	AD,1	A	<byte>	A\	P
---	------	---	------	---	--------	---	----	------	---	--------	----	---

This example includes an optional read access to verify the success of the command.

Case B: 1-Wire Busy (1WB = 1)

S	AD,0	A	WCFG	A\	P
---	------	---	------	----	---

The master should stop and restart as soon as the DS2482 does not acknowledge the command code.

Set Read Pointer, e.g., to Read from Another Register

Case A: Valid Read Pointer Code

S	AD,0	A	SRP	A	C3h	A	P
---	------	---	-----	---	-----	---	---

C3h is the valid read pointer code for the Configuration register.

Case B: Invalid Read Pointer Code

S	AD,0	A	SRP	A	E5h	A\	P
---	------	---	-----	---	-----	----	---

E5h is an invalid read pointer code.

1-Wire Reset, e.g., to Begin or End 1-Wire Communication

Case A: 1-Wire Idle (1WB = 0), No Busy Polling to Read the Result

S	AD,0	A	1WRS	A	P	(Idle)	S	AD,1	A	<byte>	A\	P
---	------	---	------	---	---	--------	---	------	---	--------	----	---

In the first cycle, the master sends the command; then the master waits (Idle) for the 1-Wire Reset to complete. In the second cycle the DS2482 is accessed to read the result of the 1-Wire Reset from the Status register.

Case B: 1-Wire Idle (1WB = 0), Busy Polling Until the 1-Wire Command is Completed, then Read the Result

S	AD,0	A	1WRS	A	Sr	AD,1	A	<byte>	A	<byte>	A\	P
---	------	---	------	---	----	------	---	--------	---	--------	----	---

Repeat until the 1WB bit has changed to 0.

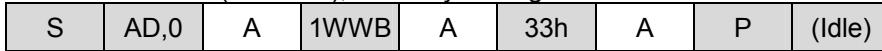
Case C: 1-Wire Busy (1WB = 1)

S	AD,0	A	1WRS	A\	P
---	------	---	------	----	---

The master should stop and restart as soon as the DS2482 does not acknowledge the command code.

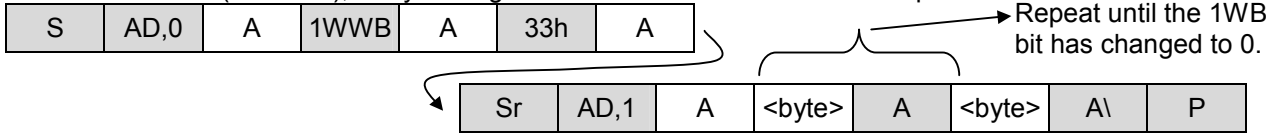
1-Wire Write Byte, e.g., to Send a Command Code to the 1-Wire Line

Case A: 1-Wire idle (1WB = 0), No Busy Polling



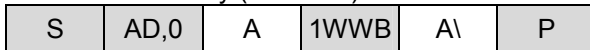
33h is the valid 1-Wire ROM function command for Read ROM. The idle time is needed for the 1-Wire function to complete. There is no data read back from the 1-Wire line with this command.

Case B: 1-Wire Idle (1WB = 0), Busy Polling Until the 1-Wire Command is Completed.



When 1WB has changed from 1 to 0, the 1-Wire Write Byte command is completed.

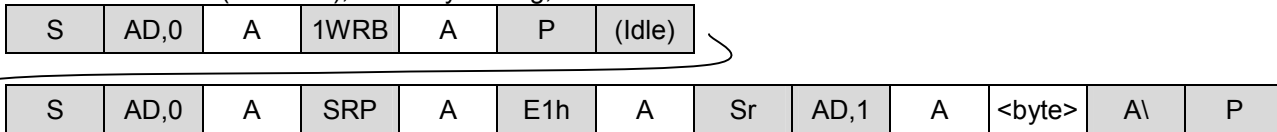
Case C: 1-Wire Busy (1WB = 1)



The master should stop and restart as soon as the DS2482 does not acknowledge the command code.

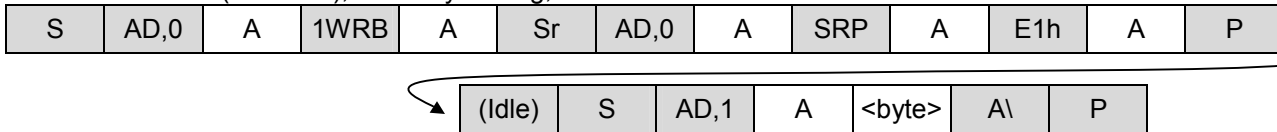
1-Wire Read Byte, e.g., to Read a Byte from the 1-Wire Line

Case A: 1-Wire Idle (1WB = 0), No Busy Polling, Set Read Pointer **After** Idle Time



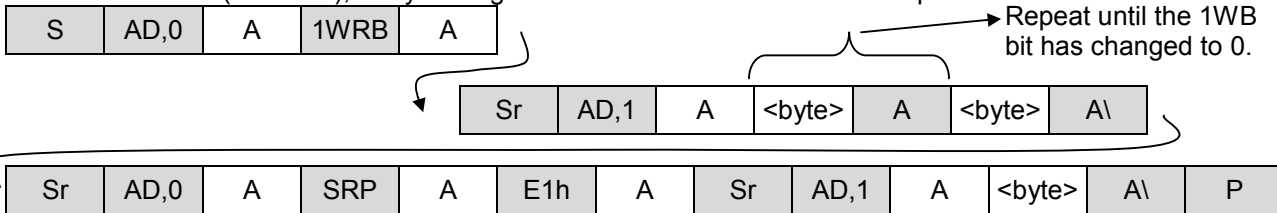
The idle time is needed for the 1-Wire function to complete. Then set the read pointer to the Read Data register (code E1h) and access the device again to read the data byte that was obtained from the 1-Wire line.

Case B: 1-Wire Idle (1WB = 0), No Busy Polling, Set Read Pointer **Before** Idle Time



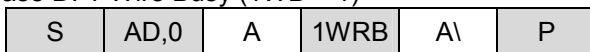
The read pointer is set to the Read Data register (code E1h) while the 1-Wire Read Byte command is still in progress. Then, after the 1-Wire function is completed, the device is accessed to read the data byte that was obtained from the 1-Wire line.

Case C: 1-Wire Idle (1WB = 0), Busy Polling Until the 1-Wire Command is Completed



Poll the Status register until the 1WB bit has changed from 1 to 0. Then set the read pointer to the Read Data register (code E1h) and access the device again to read the data byte that was obtained from the 1-Wire line.

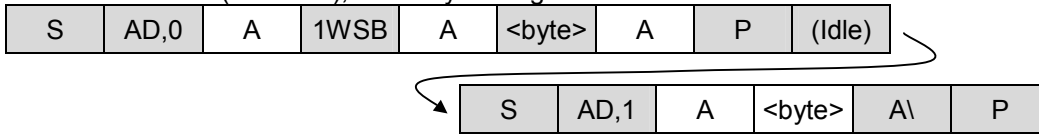
Case D: 1-Wire Busy (1WB = 1)



The master should stop and restart as soon as the DS2482 does not acknowledge the command code.

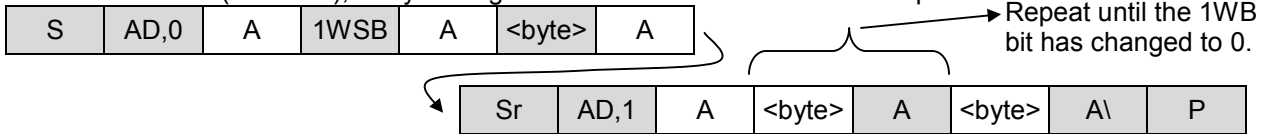
1-Wire Single Bit, e.g., to Generate a Single Time Slot on the 1-Wire Line

Case A: 1-Wire Idle (1WB = 0), No Busy Polling



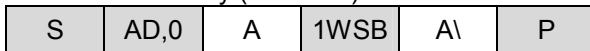
The idle time is needed for the 1-Wire function to complete. Then access the device in read mode to get the result from the 1-Wire single-bit command.

Case B: 1-Wire Idle (1WB = 0), Busy Polling Until the 1-Wire Command is Completed



When 1WB has changed from 1 to 0, the Status register holds the valid result of the 1-Wire Single Bit command.

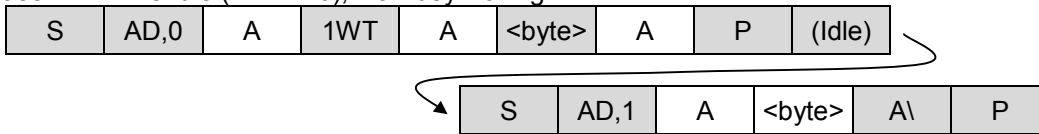
Case C: 1-Wire Busy (1WB = 1)



The master should stop and restart as soon as the DS2482 does not acknowledge the command code.

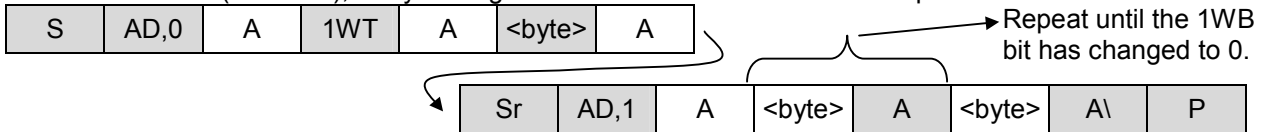
1-Wire Triplet, e.g., to Perform a Search ROM Function on the 1-Wire Line

Case A: 1-Wire Idle (1WB = 0), No Busy Polling



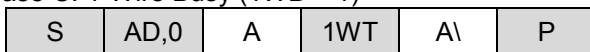
The idle time is needed for the 1-Wire function to complete. Then access the device in read mode to get the result from the 1-Wire Triplet command.

Case B: 1-Wire Idle (1WB = 0), Busy Polling Until the 1-Wire Command is Completed



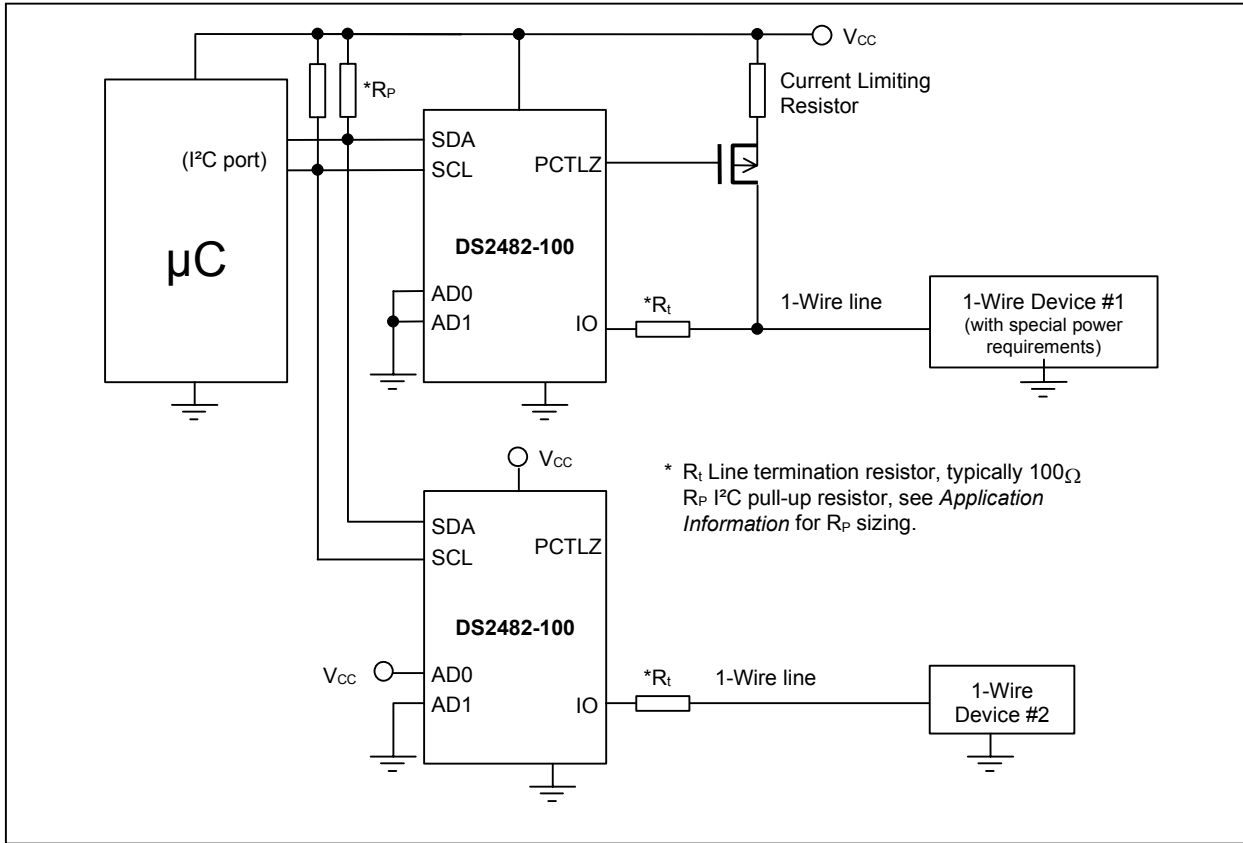
When 1WB has changed from 1 to 0, the Status register holds the valid result of the 1-Wire Triplet command.

Case C: 1-Wire Busy (1WB = 1)



The master should stop and restart as soon as the DS2482 does not acknowledge the command code.

Figure 11. Application Schematic



Application Information

SDA and SCL Pullup Resistors

SDA is an open-drain output on the DS2482 that requires a pullup resistor to realize high logic levels. Because the DS2482 uses SCL only as input (no clock stretching) the master may drive SCL either through an open-drain/collector output with a pullup resistor or a push-pull output.

Pullup Resistor R_P Sizing

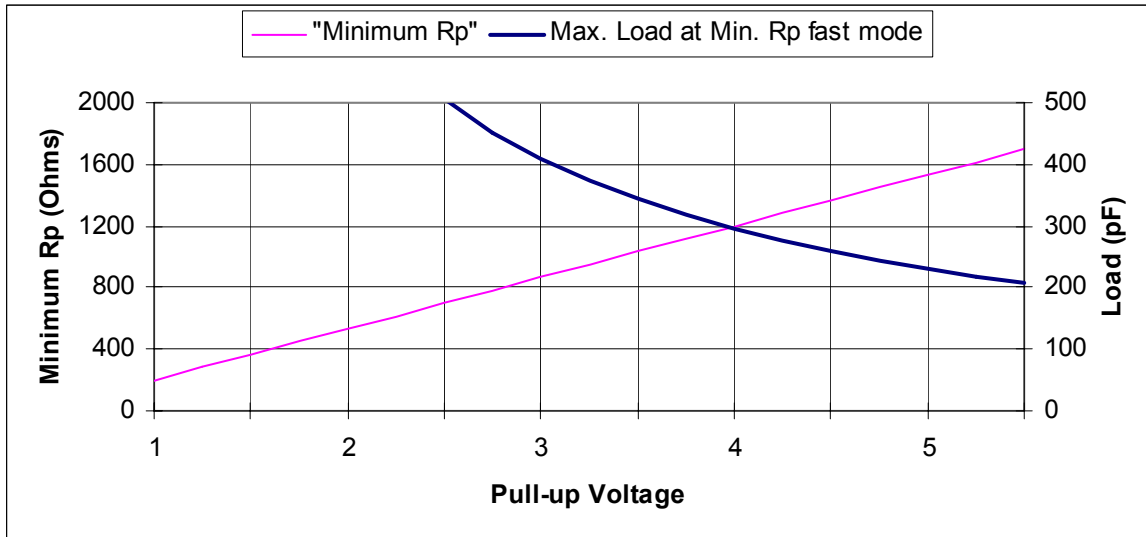
According to the I²C specification, a slave device must be able to sink at least 3mA at a V_{OL} of 0.4V. This DC condition determines the minimum value of the pullup resistor: $R_{pmin} = (V_{CC} - 0.4V)/3mA$. With an operating voltage of 5.5V, the minimum value for the pullup resistor is 1.7k Ω . The "Minimum RP" line in Figure 12 shows how the minimum pullup resistor changes with the operating voltage.

For I²C systems, the rise time and fall time are measured from 30% to 70% of the pullup voltage. The maximum bus capacitance C_b is 400 pF. The maximum rise time at standard speed must not exceed 1000ns and 300ns at fast speed. Assuming maximum rise time, the maximum resistor value at any given capacitance C_b is calculated as: $R_{pmaxs} = 1000ns/(C_b * \ln(7/3))$ (standard speed) and $R_{pmaxf} = 300ns/(C_b * \ln(7/3))$ (fast speed). For a bus capacitance of 400pF the maximum pullup resistor values are 2.95k Ω at standard speed and 885 Ω at fast speed. **A value between of 1.7k Ω and 2.95k Ω meets all requirements at standard speed.**

Since a 885Ω pullup resistor, as would be required to meet the rise time specification at fast speed and 400pF bus capacitance, is lower than R_{pmin} at 5.5V , a different approach is necessary. The "Max. Load..." line in Figure 12 is generated by first calculating the minimum pullup resistor at any given operating voltage ("Minimum Rp" line) and then calculating the respective bus capacitance that yields a rise time of 300ns .

Only for pullup voltages of 3V and lower can the maximum permissible bus capacitance of 400pF be maintained. A reduced bus capacitance of 300pF is acceptable for pullup voltages of 4V and lower. For fast speed operation at any pullup voltage, the bus capacitance must not exceed 200pF . The corresponding pullup resistor value at the voltage is indicated by the "Minimum Rp" line.

Figure 12. I²C Fast Speed Pullup Resistor Selection Chart



PACKAGE INFORMATION

(The package drawing(s) in this data sheet may not reflect the most current specifications. For the latest package outline information, go to www.maxim-ic.com/DallasPackInfo.)