



Frequency Multiplier and Zero Delay Buffer

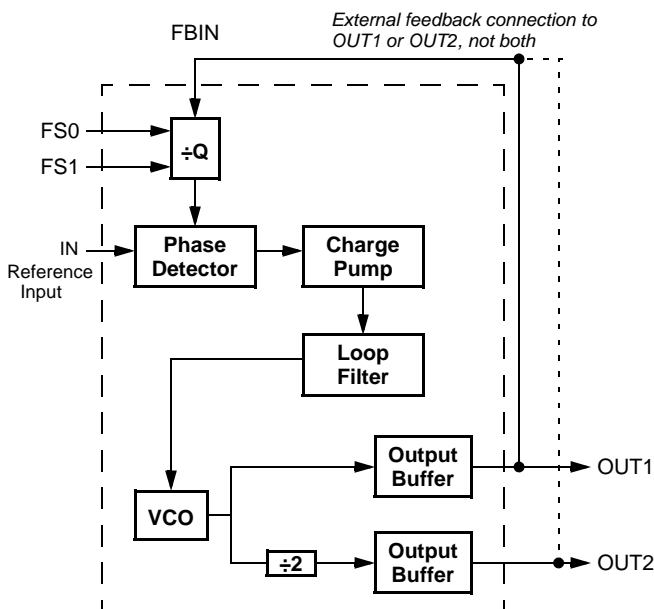
Features

- 90ps typical jitter OUT2
- 200ps typical jitter OUT1
- 65ps typical output-to-output skew
- 90ps typical propagation delay
- Voltage range: 3.3V±5%, or 5V±10%
- Output frequency range: 5MHz-133MHz
- Two outputs
- Configuration options allow various multiplications of the reference frequency—refer to *Table 1* to determine the specific option which meets your multiplication needs
- Available in 8-pin SOIC package

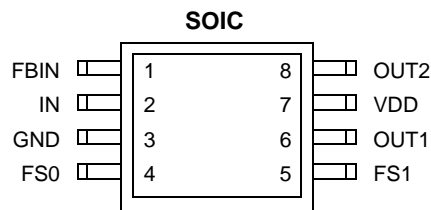
Table 1. Configuration Options

FBIN	FS0	FS1	OUT1	OUT2
OUT1	0	0	2 X REF	REF
OUT1	1	0	4 X REF	2 X REF
OUT1	0	1	REF	REF/2
OUT1	1	1	8 X REF	4 X REF
OUT2	0	0	4 X REF	2 X REF
OUT2	1	0	8 X REF	4 X REF
OUT2	0	1	2 X REF	REF
OUT2	1	1	16 X REF	8 X REF

Block Diagram



Pin Configuration



Pin Definitions

Pin Name	Pin No.	Pin Type	Pin Description
IN	2	I	Reference Input: The output signals will be synchronized to this signal.
FBIN	1	I	Feedback Input: This input must be fed by one of the outputs (OUT1 or OUT2) to ensure proper functionality. If the trace between FBIN and the output pin being used for feedback is equal in length to the traces between the outputs and the signal destinations, then the signals received at the destinations will be synchronized to the REF signal input (IN).
OUT1	6	O	Output 1: The frequency of the signal provided by this pin is determined by the feedback signal connected to FBIN, and the FS0:1 inputs (see <i>Table 1</i>).
OUT2	8	O	Output 2: The frequency of the signal provided by this pin is one-half of the frequency of OUT1. See <i>Table 1</i> .
VDD	7	P	Power Connections: Connect to 3.3V or 5V. This pin should be bypassed with a 0.1- μ F decoupling capacitor. Use ferrite beads to help reduce noise for optimal jitter performance.
GND	3	P	Ground Connection: Connect all grounds to the common system ground plane.
FS0:1	4, 5	I	Function Select Inputs: Tie to V_{DD} (HIGH, 1) or GND (LOW, 0) as desired per <i>Table 1</i> .

Overview

The CY2302 is a two-output zero delay buffer and frequency multiplier. It provides an external feedback path allowing maximum flexibility when implementing the Zero Delay feature. This is explained further in the sections of this data

sheet titled "How to Implement Zero Delay," and "Inserting Other Devices in Feedback Path."

The CY2302 is a pin-compatible upgrade of the Cypress W42C70-01. The CY2302 addresses some application dependent problems experienced by users of the older device.

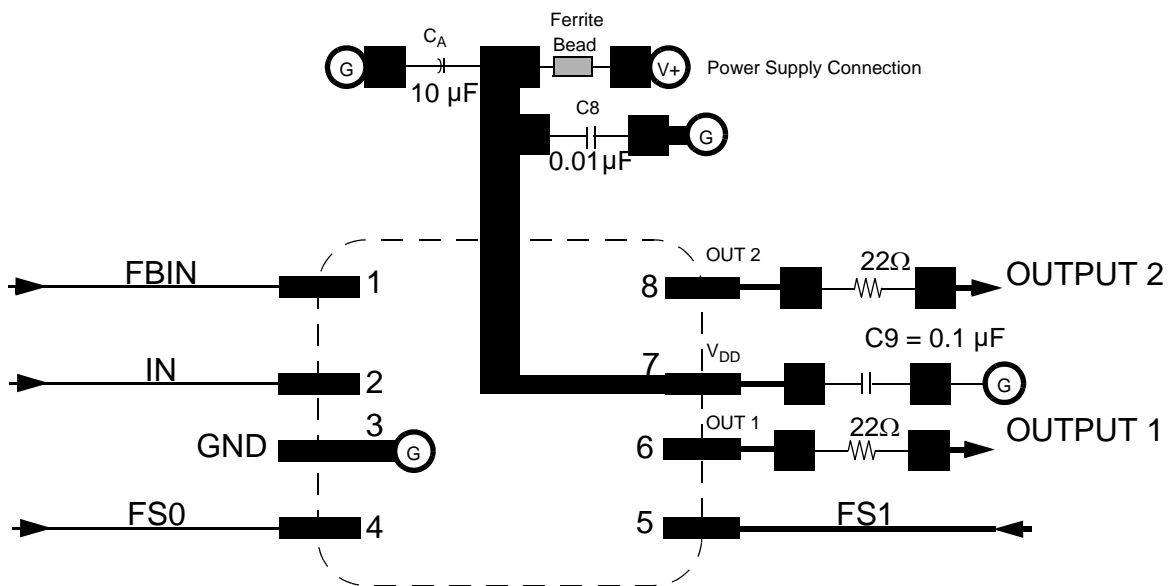


Figure 1. Schematic/Suggested Layout

How to Implement Zero Delay

Typically, Zero Delay Buffers (ZDBs) are used because a designer wants to provide multiple copies of a clock signal in phase with each other. The whole concept behind ZDBs is that the signals at the destination chips are all going HIGH at the same time as the input to the ZDB. In order to achieve this, layout must compensate for trace length between the ZDB and the target devices. The method of compensation is described below.

External feedback is the trait that allows for this compensation. The PLL on the ZDB will cause the feedback signal to be in phase with the reference signal. When laying out the board, match the trace lengths between the output being used for feedback and the FBIN input to the PLL.

If it is desirable to either add a little delay, or slightly precede the input signal, this may also be implemented by either making the trace to the FBIN pin a little shorter or a little longer than the traces to the devices being clocked.

Inserting Other Devices in Feedback Path

Another nice feature available due to the external feedback is the ability to synchronize signals to the signal coming from some other device. This implementation can be applied to any device (ASIC, multiple output clock buffer/driver, etc.) that is put into the feedback path.

Referring to *Figure 2*, if the traces between the ASIC/Buffer and the destination of the clock signal(s) (A) are equal in length to the trace between the buffer and the FBIN pin, the signals

at the destination(s) device will be driven HIGH at the same time the Reference clock provided to the ZDB goes HIGH. Synchronizing the other outputs of the ZDB to the outputs from the ASIC/Buffer is more complex however, as any propagation delay from the ZDB output to the ASIC/Buffer output must be accounted for.

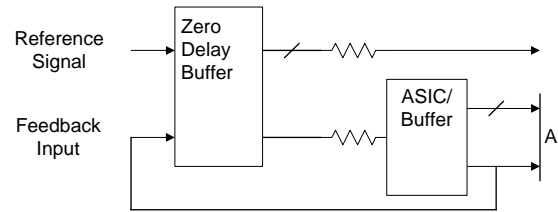


Figure 2. Six Output Buffer in the Feedback Path

Phase Alignment

In cases where OUT1 (i.e., the higher frequency output) is connected to FBIN input pin the output OUT2 rising edges may be either 0 or 180° phase aligned to the IN input waveform (as set randomly when the input and/or power is supplied). If OUT2 is desired to be rising-edge aligned to the IN input's rising edge, then connect the OUT2 (i.e., the lowest frequency output) to the FBIN pin. This set-up provides a consistent input-output phase relationship.

Absolute Maximum Ratings

Stresses greater than those listed in this table may cause permanent damage to the device. These represent a stress rating only. Operation of the device at these or any other condi-

tions above those specified in the operating sections of this specification is not implied. Maximum conditions for extended periods may affect reliability.

Parameter	Description	Rating	Unit
V_{DD}, V_{IN}	Voltage on Any Pin with Respect to GND	-0.5 to +7.0	V
T_{STG}	Storage Temperature	-65 to +150	°C
T_A	Operating Temperature	0 to +70	°C
T_B	Ambient Temperature under Bias	-55 to +125	°C
P_D	Power Dissipation	0.5	W

DC Electrical Characteristics: $T_A = 0^\circ\text{C}$ to 70°C or -40° to 85°C , $V_{DD} = 3.3\text{V} \pm 5\%$

Parameter	Description	Test Condition	Min.	Typ.	Max.	Unit
I_{DD}	Supply Current	Unloaded, 100 MHz	—	17	35	mA
V_{IL}	Input Low Voltage		—	—	0.8	V
V_{IH}	Input High Voltage		2.0	—		V
V_{OL}	Output Low Voltage	$I_{OL} = 12\text{ mA}$	—	—	0.4	V
V_{OH}	Output High Voltage	$I_{OH} = -12\text{ mA}$	2.4	—	—	V
I_{IL}	Input Low Current	$V_{IN} = 0\text{V}$	-40	—	5	μA
I_{IH}	Input High Current	$V_{IN} = V_{DD}$	—	—	5	μA

DC Electrical Characteristics: $T_A = 0^\circ\text{C}$ to 70°C or -40° to 85°C , $V_{DD} = 5\text{V} \pm 10\%$

Parameter	Description	Test Condition	Min.	Typ.	Max.	Unit
I_{DD}	Supply Current	Unloaded, 100 MHz	—	37	50	mA
V_{IL}	Input Low Voltage		—	—	0.8	V
V_{IH}	Input High Voltage		2.0	—		V
V_{OL}	Output Low Voltage	$I_{OL} = 12\text{ mA}$	—	—	0.4	V
V_{OH}	Output High Voltage	$I_{OH} = -12\text{ mA}$	2.4	—		V
I_{IL}	Input Low Current	$V_{IN} = 0\text{V}$	-80	—	5	μA
I_{IH}	Input High Current	$V_{IN} = V_{DD}$		—	5	μA

AC Electrical Characteristics: $T_A = 0^\circ\text{C to } +70^\circ\text{C or } -40^\circ\text{ to } 85^\circ\text{C}$, $V_{DD} = 3.3\text{V} \pm 5\%$ ^[3]

Parameter	Description	Test Condition	Min.	Typ.	Max.	Unit
f_{IN}	Input Frequency ^[1]		5	—	133	MHz
f_{OUT}	Output Frequency	OUT1 15-pF load	10	—	133	MHz
t_R	Output Rise Time	0.8V to 2.0V, 15-pF load	—	—	3.5	ns
t_F	Output Fall Time	2.0V to 0.8V, 15-pF load	—	—	2.5	ns
t_{CLKR}	Input Clock Rise Time ^[2]		—	—	10	ns
t_{CLKF}	Input Clock Fall Time ^[2]		—	—	10	ns
t_D	Duty Cycle	15-pF load ^[5]	40	50	60	%
t_{LOCK}	PLL Lock Time	Power supply stable	—	—	1.0	ms
t_{JC}	Jitter, Cycle-to-Cycle	OUT1, $f_{OUT} > 30$ MHz	—	200	300	ps
		OUT2, $f_{OUT} > 30$ MHz	—	90	300	ps
t_{DC}	Die Out Time ^[6]		100	—	—	Clock Cycles
t_{SKEW}	Output-output Skew ^[4]		—	65	250	ps
t_{PD}	Propagation Delay ^[4]		-350	90	350	ps

AC Electrical Characteristics: $T_A = 0^\circ\text{C to } +70^\circ\text{C or } -40^\circ\text{ to } 85^\circ\text{C}$, $V_{DD} = 5.0\text{V} \pm 10\%$ ^[3]

Parameter	Description	Test Condition	Min.	Typ.	Max.	Unit
f_{IN}	Input Frequency ^[1]		5	—	133	MHz
f_{OUT}	Output Frequency	OUT1 15-pF load	10	—	133	MHz
t_R	Output Rise Time	0.8V to 2.0V, 15-pF load	—	—	2.5	ns
t_F	Output Fall Time	2.0V to 0.8V, 15-pF load	—	—	1.5	ns
t_{CLKR}	Input Clock Rise Time ^[2]		—	—	10	ns
t_{CLKF}	Input Clock Fall Time ^[2]		—	—	10	ns
t_D	Duty Cycle	15-pF load ^[5, 7]	40	50	60	%
t_{LOCK}	PLL Lock Time	Power supply stable	—	—	1.0	ms
t_{JC}	Jitter, Cycle-to-Cycle	OUT1, $f_{OUT} > 30$ MHz	—	200	300	ps
		OUT2, $f_{OUT} > 30$ MHz	—	90	300	ps
t_{DC}	Die out time ^[6]		100	—	—	clock cycles
t_{SKEW}	Output-output Skew ^[4]		—	65	250	ps
t_{PD}	Propagation Delay ^[4]		-350	90	350	ps

Notes:

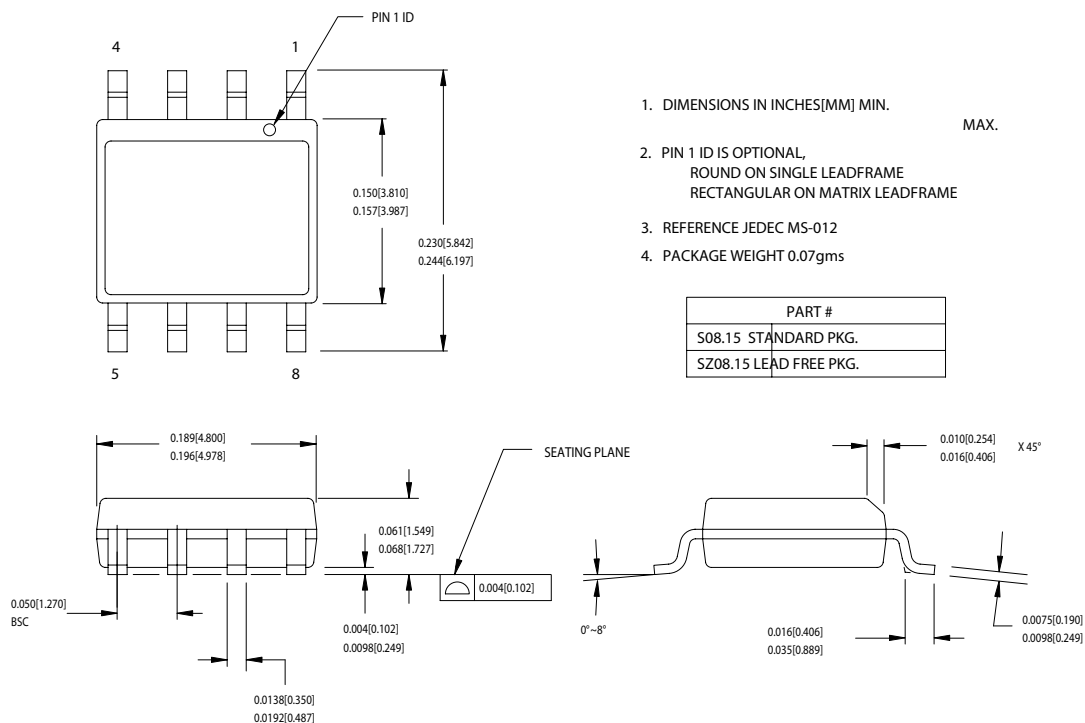
- Input frequency is limited by output frequency range and input to output frequency multiplication factor (which is determined by circuit configuration).
- Longer input rise and fall time will degrade skew and jitter performance.
- All AC specifications are measured with a 50 Ω transmission line, load terminated with 50 Ω to 1.4V.
- Skew is measured at 1.4V on rising edges.
- Duty cycle is measured at 1.4V.
- 33 MHz reference input suddenly stopped (0 MHz). Number of cycles provided prior to output falling to <16 MHz.
- Duty Cycle measured at 120 MHz. For 133 MHz, degrades to 35/65 worst case.

Ordering Information

Ordering Code	Package Type	Temperature Grade
CY2302SC-1	8 pin SOIC	Commercial
CY2302SC-1T	8 pin SOIC - Tape and Reel	Commercial
CY2302SI-1	8 pin SOIC	Industrial
CY2302SI-1T	8 pin SOIC - Tape and Reel	Industrial
Lead-free		
CY2302SXC-1	8 pin SOIC	Commercial
CY2302SXC-1T	8 pin SOIC - Tape and Reel	Commercial
CY2302SXI-1	8 pin SOIC	Industrial
CY2302SXI-1T	8 pin SOIC - Tape and Reel	Industrial

Package Diagram

8-lead (150-Mil) SOIC S8



51-85066-°C

All products and company names mentioned in this document may be the trademarks of their respective holders.

Document History Page

Document Title: CY2302 Frequency Multiplier and Zero Delay Buffer				
Document Number: 38-07154				
REV.	ECN NO.	Issue Date	Orig. of Change	Description of Change
**	110264	12/18/01	SZV	Change from Spec number: 38-00794 to 38-07154
*A	394695	See ECN	RGL	Added typical char data Added lead-free devices Added phase alignment paragraph