



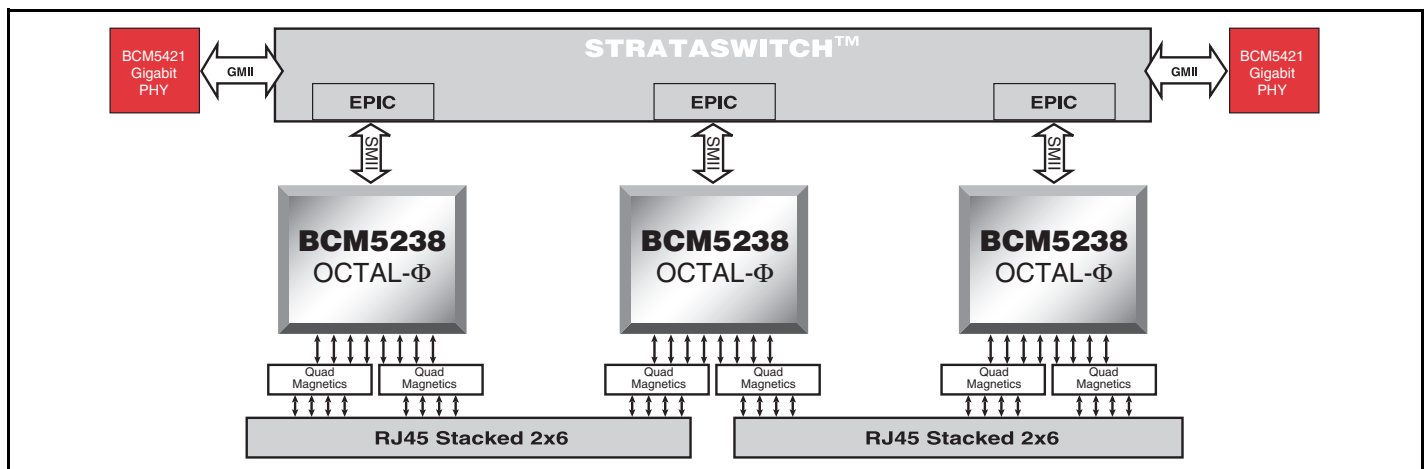
## 10/100BASE-TX OCTAL-Φ™ TRANSCEIVER

### FEATURES

- Single-chip, eight-port Fast Ethernet transceiver
- Low-power 1.8V CMOS technology
- Serial Media Independent Interface (SMII)
- Source Synchronous SMII (SSSMII)
- HP Auto-MDIX automatic crossover
- Supports 10BASE-T Polarity Correction
- Compatible with 2.5V I/O and 3.3V I/O
- Fully integrated digital adaptive equalization
- Up to 150 meters of error-free operation
- Full-duplex support
- Interrupt output capability
- 128-pin PQFP or 256-ball BGA package
- Proven Broadcom proprietary all-DSP Digi-Φ™ architecture

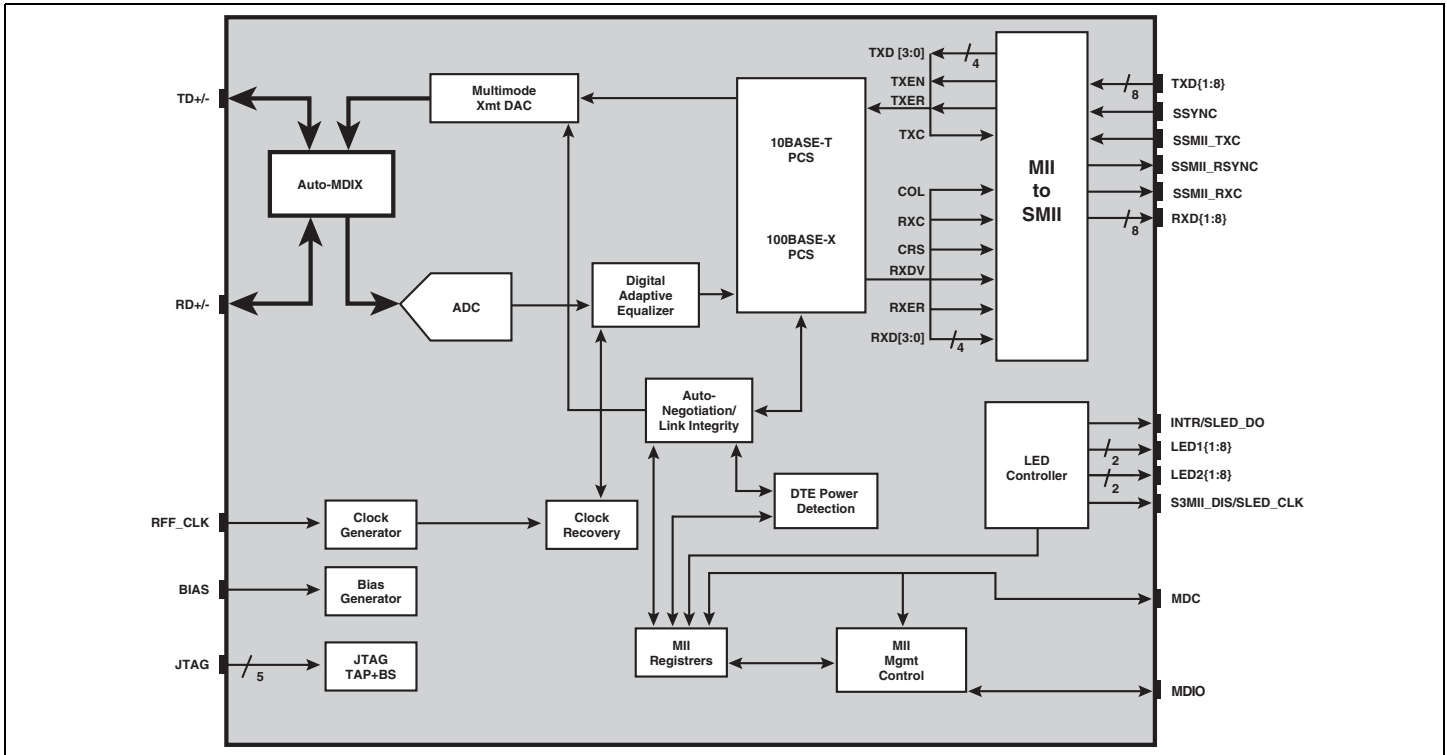
### SUMMARY OF BENEFITS

- Target usage: Fast Ethernet switches.
- Lowest per port power solution available:< 215 milliwatts per port.
- Smallest footprint per port available.
- Measures 14 mm ∞20 mm for eight ports.
- Single-chip device contains eight independent Fast Ethernet transceivers.
- Performs all physical layer interface functions for 100BASE-TX full-duplex or half-duplex Ethernet on Category 5 unshielded twisted-pair (UTP) cable and 10BASE-T full or half-duplex Ethernet on Category 3, 4, or 5 UTP cable.
- Compliant with IEEE 802.3 standard.
- IEEE 1149.1 (JTAG) scan chain support.
- Two LED indicator pins per port.



**24-Port 10/100BASE-T Ethernet Switch Example**

# OVERVIEW



The Broadcom BCM5238 is a single-chip device containing eight independent Fast Ethernet transceivers. Each performs all the physical layer functions for 100BASE-TX full- or half-duplex Ethernet on Category 5 UTP cable and 10BASE-T full- or half-duplex Ethernet on Category 3, 4, or 5 UTP cable. The BCM5238 chip performs encoding and decoding, clock and data recovery, digital adaptive equalization, line transmission, carrier sense and link integrity monitoring, auto-negotiation and RMII/SMII management functions. The BCM5238 is compliant with the IEEE 802.3 standard.

The BCM5238 can be connected to a switch controller through the SMII or SSSMII on one side and to the network media on the other side

through isolation transformers. The BCM5238 operates from 1.8 and 2.5V/3.3V power supplies; the I/O operates at either 2.5V or 3.3V.

The BCM5238 includes support for HP Auto-MDIX, which enables the transceiver to automatically detect and correct miswired cable. With the HP Auto-MDIX feature, all ports on a switch can be connected to any other 10/100 port on any switch, hub, or network interface card, using crossover or straight-through cables interchangeably. This makes installation, debugging, and maintenance of the network simpler and less expensive to the end user.

The BCM5238 is offered in a 128-pin PQFP or 256-ball BGA package and supports two LED indicators per port.

**Broadcom**<sup>®</sup>, the pulse logo, and **Connecting everything**<sup>®</sup> are trademarks of Broadcom Corporation and/or its subsidiaries in the United States and certain other countries. All other trademarks mentioned are the property of their respective owners.

Connecting  
**everything**<sup>®</sup>



**BROADCOM CORPORATION**  
16215 Alton Parkway, P.O. Box 57013  
Irvine, California 92619-7013

© 2004 by BROADCOM CORPORATION. All rights reserved.

5238-PB07-R 07/19/04

Phone: 949-450-8700  
Fax: 949-450-8710  
E-mail: info@broadcom.com  
Web: www.broadcom.com