



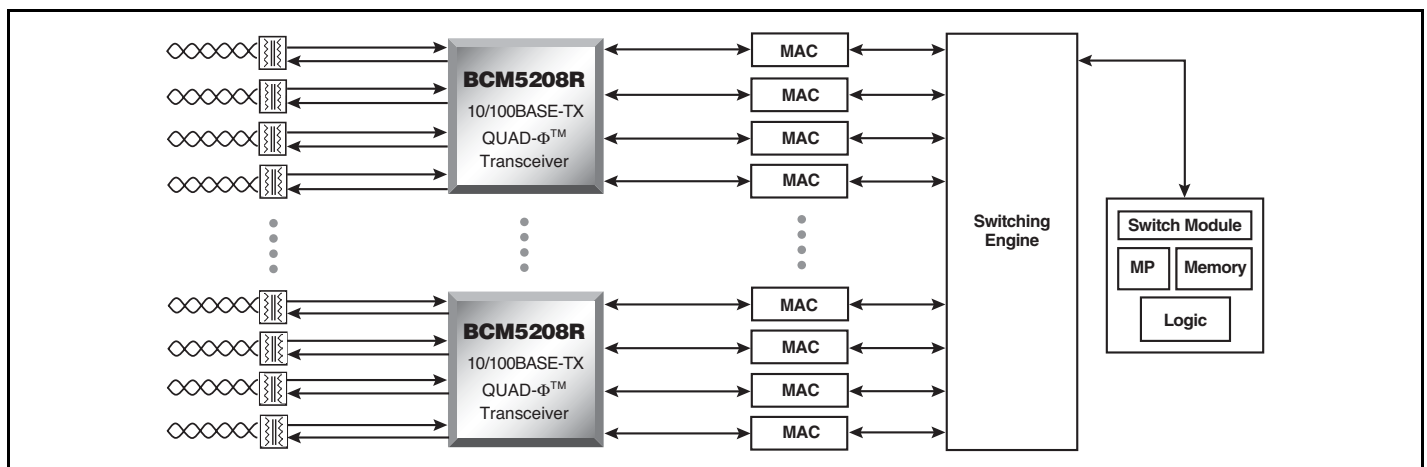
BCM5208R 10/100BASE-TX QUAD-F™ TRANSCEIVER

FEATURES

- 10BASE-T/100BASE-TX IEEE 802.3u-compliant
- Full-duplex support in all modes
- IEEE 802.3u-compliant auto-negotiation
- Media Independent Interface (MII) for each port
- Shared MII serial management interface
- Fully integrated digital adaptive equalizers
- 125-MHz clock generator and timing recovery
- Integrated multimode transmit wave shaping
- Integrated baseline wander correction
- LED status pins
- Loopback mode for diagnostics
- IEEE 1149.1 (JTAG) support
- 3.3V power supply
- 208-pin PQFP package

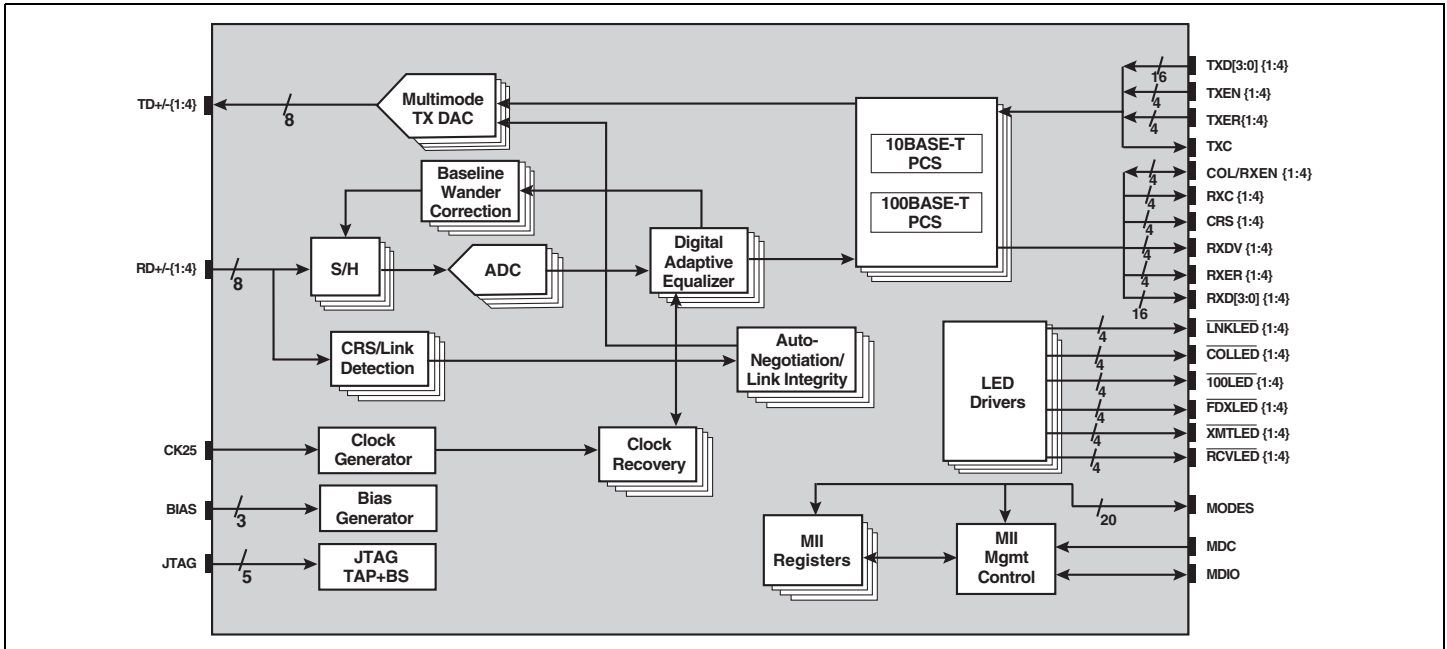
SUMMARY OF BENEFITS

- **Fully integrated TX quad PHY transceiver (MII to TX magnetics optics)**
 - Decreases system cost per port
 - Simplifies system and board design
 - Reduces power consumption
- **On-chip multimode transmit wave shaping**
 - Eliminates need for external filters
 - Minimizes EMI
- **Flexible Ethernet PHY solution**
 - 10BASE-T, 100BASE-TX full-duplex
 - Suited for Ethernet switch products
- **Digital adaptive equalization and clock recovery**
 - Increases SNR by 3 dB over ideal analog equalizers
 - Robust performance in harsh noise environments and over substandard cable
 - Immune to on-chip noise and crosstalk
 - Insensitive to variations in process, temperature, and voltage
- **Cost reduction for BCM5208 designs**



24-Port 10/100BASE-T Ethernet Switch Example

OVERVIEW



The BCM5208R is a monolithic CMOS integrated circuit containing 4 transceivers that each perform all of the physical layer interface functions for 10BASE-T Ethernet on Category 3, 4, 5 unshielded twisted-pair (UTP) cable and 100BASE-TX Ethernet on Category 5 UTP cable.

The BCM5208R employs the use of digital signal processing and full custom circuit design techniques to create a highly integrated and robust physical layer solution for Fast Ethernet switches. It complies fully with the IEEE 802.3u physical layer Media Independent Interface (MII) and auto-negotiation subsections, providing compatibility with all industry-standard Fast Ethernet MAC chips.

The BCM5208R chip performs all the 4B5B, MLT3, NRZI, and Manchester encoding and decoding; clock and data recovery; stream cipher scrambling/descrambling; digital adaptive equalization; line transmission; carrier sense; and link management functions. The BCM5208R can be connected to a MAC through the MII on one side, and directly to the network media on the other side (through isolation transformers for UTP mode).

The BCM5208R is an easy cost-reduction path for 10/100 systems originally designed with the BCM5208. The BCM5208R is a lower power, lower cost alternative that can drop into most BCM5208 designs without any hardware change.

Broadcom®, the pulse logo, and Connecting everything® are trademarks of Broadcom Corporation and/or its subsidiaries in the United States and certain other countries. All other trademarks mentioned are the property of their respective owners.

Connecting
everything®



BROADCOM CORPORATION
16215 Alton Parkway, P.O. Box 57013
Irvine, California 92619-7013

© 2004 by BROADCOM CORPORATION. All rights reserved.

5208R-PB03-R 04/01/04

Phone: 949-450-8700
Fax: 949-450-8710
E-mail: info@broadcom.com
Web: www.broadcom.com