

Small Signal Product

Hermetically Sealed Glass High Voltage Switching Diodes

FEATURES

- High voltage switching device
- Ideal for automated placement
- Hermetically sealed glass
- Compression bonded construction
- All external surfaces are corrosion resistant and leads are readily solderable
- RoHS compliant


MINI MELF

MECHANICAL DATA

- Polarity: Indicated by black cathode band

MAXIMUM RATINGS AND ELECTRICAL CHARACTERISTICS (T _A =25°C unless otherwise noted)			
PARAMETER	SYMBOL	VALUE	UNIT
Power Dissipation	P _D	500	mW
Repetitive Peak Reverse Voltage	V _{RRM}	250	V
Average Rectified Forward Current	I _{F(AV)}	200	mA
Non-Repetitive Peak Forward Surge Current	I _{FSM}	Pulse Width = 1.0 s	1.0
		Pulse Width = 1.0 μs	4.0
Operating and Storage Temperature Range	T _J , T _{STG}	-65 to +200	°C

Electrical Characteristics

PARAMETER	SYMBOL	MIN	MAX	UNIT	
Breakdown Voltage	B _V	BAV100 I _R = 100 μA	60	-	V
		BAV101 I _R = 100 μA	120		
		BAV102 I _R = 100 μA	200		
		BAV103 I _R = 100 μA	250		
Forward Voltage	V _F	-	1.0	V	
Peak Reverse Current	I _R	BAV100 V _R = 50 V	-	100	nA
		BAV101 V _R = 100 V		100	
		BAV102 V _R = 150 V		100	
		BAV103 V _R = 200 V		100	
Thermal Resistance, Junction to Ambient	R _{θJA}	350		°C/W	
Junction Capacitance	C _J	-	5.0	pF	
Reverse Recovery Time	t _{rr}	-	50	ns	

 Notes : Reverse recovery test conditions : I_F = I_R = 30 mA , I_{rr} = 30 mA , R_L = 100 Ω

Small Signal Product

RATINGS AND CHARACTERISTICS CURVES

($T_A=25^\circ\text{C}$ unless otherwise noted)

Fig. 1 Reverse Current VS. Junction Temperature

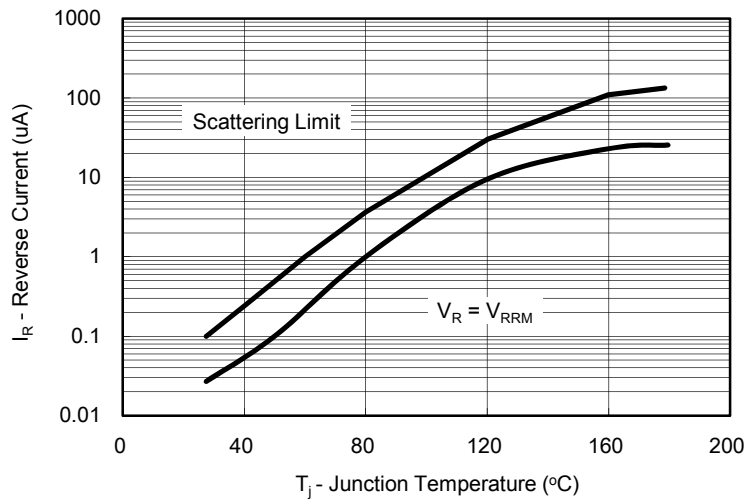


Fig. 2 Forward Current VS. Forward Voltage

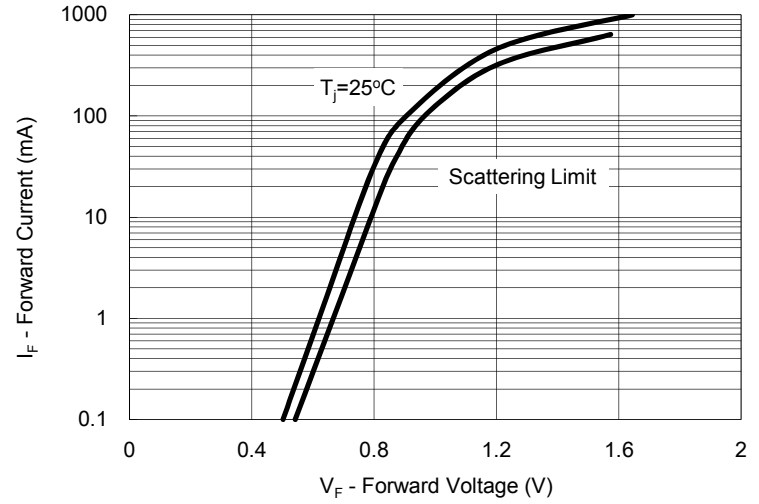
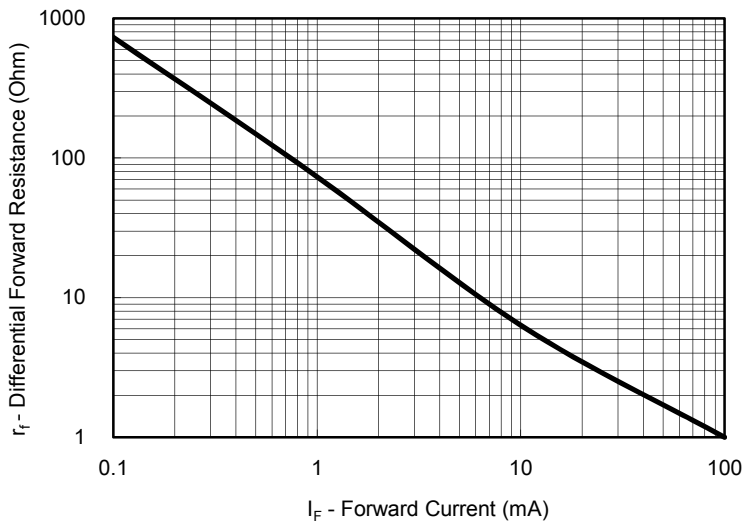


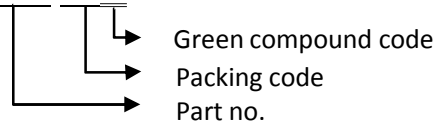
Fig. 3 Differential Forward Resistance VS. Forward Current



Small Signal Product

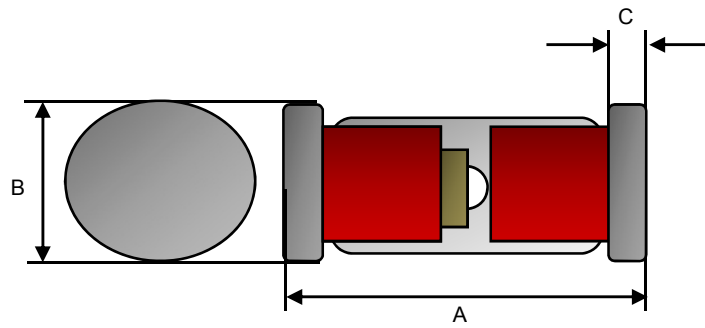
ORDER INFORMATION (EXAMPLE)

BAV100 LOG



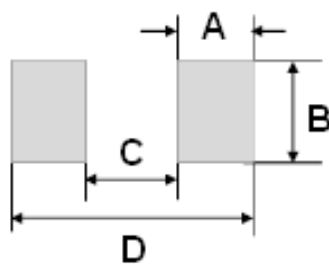
DIMENSIONS

MINI MELF



DIM.	Unit (mm)		Unit (inch)	
	Min	Max	Min	Max
A	3.30	3.70	0.130	0.146
B	1.40	1.60	0.055	0.063
C	0.20	0.50	0.008	0.020

SUGGESTED PAD LAYOUT



DIM.	Unit (mm)	Unit (inch)
	Typ.	Typ.
A	1.25	0.049
B	2.00	0.079
C	2.50	0.098
D	5.00	0.197

Notice

Specifications of the products displayed herein are subject to change without notice. TSC or anyone on its behalf, assumes no responsibility or liability for any errors or inaccuracies.

Information contained herein is intended to provide a product description only. No license, express or implied, to any intellectual property rights is granted by this document. Except as provided in TSC's terms and conditions of sale for such products, TSC assumes no liability whatsoever, and disclaims any express or implied warranty, relating to sale and/or use of TSC products including liability or warranties relating to fitness for a particular purpose, merchantability, or infringement of any patent, copyright, or other intellectual property right.

The products shown herein are not designed for use in medical, life-saving, or life-sustaining applications. Customers using or selling these products for use in such applications do so at their own risk and agree to fully indemnify TSC for any damages resulting from such improper use or sale.