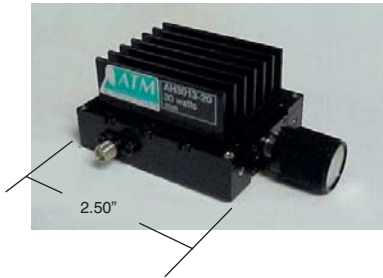


**HIGH POWER VARIABLE ATTENUATORS**



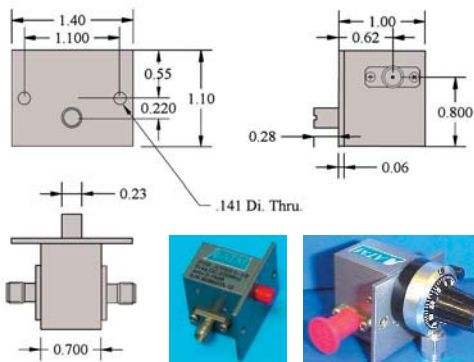
**30 WATTS\***

RF CONN: SMA female  
INS LOSS: 0.5dB max  
VSWR: 1.5 max  
RF POWER: 30 W avg  
5 Kw peak

\*Up to 250 Watts Available

| Freq. (GHZ) | Atten. Range (dB) | Flatness (+/- dB) | Model No.     |
|-------------|-------------------|-------------------|---------------|
| 0.5 - 1.0   | 6                 | N/A               | AH30V082-6    |
| 0.8 - 1.6   | 10                | N/A               | AH30V083L-10  |
| 0.9 - 1.75  | 10                | N/A               | AH30V083L1-10 |
| 1.0 - 2.0   | 10                | N/A               | AH30V083-10   |
| 2.0 - 4.2   | 10                | N/A               | AH30V084-10   |
| 4.0 - 8.0   | 10                | N/A               | AH30V085-10   |
| 7.9 - 12.7  | 10                | N/A               | AH30V086-10   |
| 11.7 - 18.0 | 10                | N/A               | AH30V087-10   |

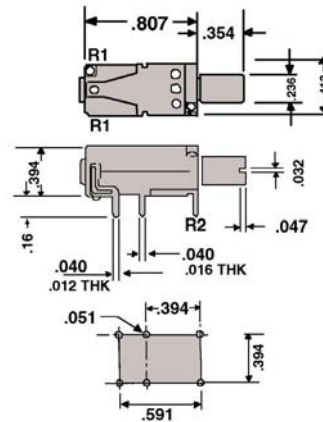
**DC - 1 GHz VARIABLE ATTENUATORS**



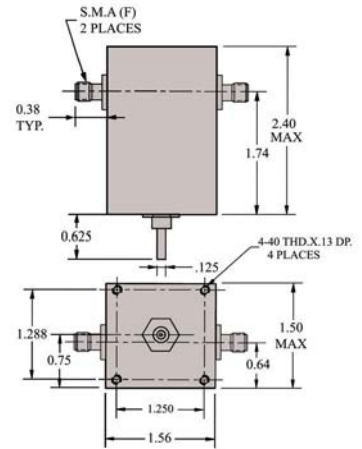
Standard Model

Dial Option\*

AF03 Series



PC Series



AF04 & AF05 Series

**\*Multi-Turn, SMA Connectors, Low Insertion Loss**

| Freq (MHz) | Atten (dB) | I.L. (dB max) | Flatness (+/- dB) | VSWR (max) | Model No. (50 Ohm) | Model No. (75 Ohm) |
|------------|------------|---------------|-------------------|------------|--------------------|--------------------|
| DC-100     | 0-15       | 0.5           | 0.5               | 1.3        | AF030-15           | AF030-15/75        |
| DC-200     | 0-15       | 0.5           | 0.5               | 1.4        | AF031-15           | AF031-15/75        |
| DC-500     | 0-15       | 0.5           | 1.0               | 1.8        | AF032-15           | AF032-15/75        |
| DC-1000    | 0-10       | 1.0           | 1.5               | 2.0        | AF033-10           | N/A                |

**Multi-Turn PC Mounted**

|        |      |     |     |     |              |              |
|--------|------|-----|-----|-----|--------------|--------------|
| DC-300 | 0-15 | 0.5 | 1.0 | 1.5 | AV0PC2-15-50 | AV0PC2-15-75 |
| DC-850 | 0-15 | 0.5 | 1.5 | 2.0 | AV0PC3-15-50 | AV0PC3-15-75 |

**\*Multi-Turn, SMA Connectors, Low Insertion Loss**

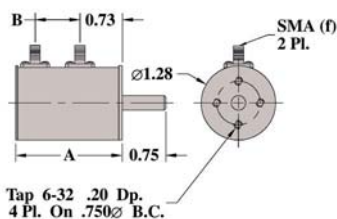
| Freq (MHz) | Atten (dB) | I.L. (dB max) | Flatness (+/- dB) | VSWR (max) | Model No. (50 Ohm) | Model No. (75 Ohm) |
|------------|------------|---------------|-------------------|------------|--------------------|--------------------|
| DC-100     | 0-30       | 1.0           | 1.0               | 1.5        | AF040-30           | AF040-30/75        |
| DC-200     | 0-30       | 1.0           | 1.5               | 1.5        | AF041-30           | AF041-30/75        |
| DC-500     | 0-30       | 1.0           | 1.5               | 1.8        | AF042-30           | AF042-30/75        |
| DC-1000    | 0-30       | 3.0           | N/A               | 2.0        | AV043-30           | N/A                |

**Single-Turn, SMA, Low Insertion Loss, w/Calibration Dial**

|        |      |     |     |     |          |             |
|--------|------|-----|-----|-----|----------|-------------|
| DC-100 | 0-30 | 1.0 | 1.0 | 1.5 | AF050-30 | AF050-30/75 |
| DC-200 | 0-30 | 1.0 | 1.5 | 1.5 | AF051-30 | AF051-30/75 |
| DC-500 | 0-30 | 1.0 | 1.5 | 1.5 | AF052-30 | AF052-30/75 |

\*For Turns Counting Dial change P/N from AF0 to AF8

**ROTARY STEP ATTENUATORS**



| Model                          | Frequency Range | Attenuator Range       | Attenuation Accuracy   | VSWR  | Insertion Loss  | D <sub>im</sub> (In) A B |
|--------------------------------|-----------------|------------------------|--|---|---|--------------------------|
| AS013-10-1                     | DC-2200 MHz     | 0-10 dB in 1 dB steps  | ±2 dB max.<br>DC-1000 MHz<br>±4 dB max.<br>1000-2000 MHz   | 1.2:1 max.<br>DC-1000 MHz<br>1.4:1 max.<br>1000-2000 MHz                                | 0.2dB max<br>DC-1000 MHz<br>0.4 dB max.<br>1000-2000 MHz    | 1.83 0.77                |
| AS013-60-10                    | DC-2200 MHz     | 0-60 dB in 10 dB steps | ± 0.5 dB or 1%<br>DC-500 MHz<br>± 0.5 dB or 2%<br>500-1000 MHz<br>± 0.5 dB or 3%<br>1000-2000 MHz                                    | 1.2:1 max.<br>DC-1000 MHz<br>1.4:1 max.<br>1000-2000 MHz                                | 0.3 dB max.<br>DC-1000 MHz<br>0.5 dB max.<br>1000-2000 MHz  | 2.40 1.36                |
| AS113-110-1<br>Dual Concentric | DC-2200 MHz     | 0-110 dB in 1dB steps  | ± 0.3 dB or 1%<br>DC-500 MHz<br>± 0.5 dB or 2%<br>500-1000 MHz<br>± 0.5 dB or 3%<br>1000-1500 MHz<br>± 0.5 dB or 4%<br>1500-2000 MHz | 1.3:1 max.<br>DC-1000 MHz<br>1.5:1 max.<br>1000-1500 MHz<br>1.7:1 max.<br>1500-2000 MHz | .75 dB max.<br>DC-1000 MHz<br>1.25 dB max.<br>1000-2000 MHz | 4.0 2.3                  |

• Impedance: 50 Ohms

• RF Input Power: 1W avg., 1KW peak

• SMA Female Others Available