



# 16-Bit, High-Speed, 2.7V to 5.5V *micro*Power Sampling ANALOG-TO-DIGITAL CONVERTER

## FEATURES

- 16-BITS NO MISSING CODES
- VERY LOW NOISE: 3LSBp-p
- EXCELLENT LINEARITY:  $\pm 1.5$ LSB typ
- *micro*POWER: 4.5mW at 100kHz  
1mW at 10kHz
- MSOP-8 AND SON-8 PACKAGES  
(SON Package Size Same as 3x3 QFN)
- 16-BIT UPGRADE TO THE 12-BIT ADS7816  
AND ADS7822
- PIN-COMPATIBLE WITH THE ADS7816,  
ADS7822, ADS7826, ADS7827, ADS7829, AND  
ADS8320
- SERIAL (SPI™/SSI) INTERFACE

## APPLICATIONS

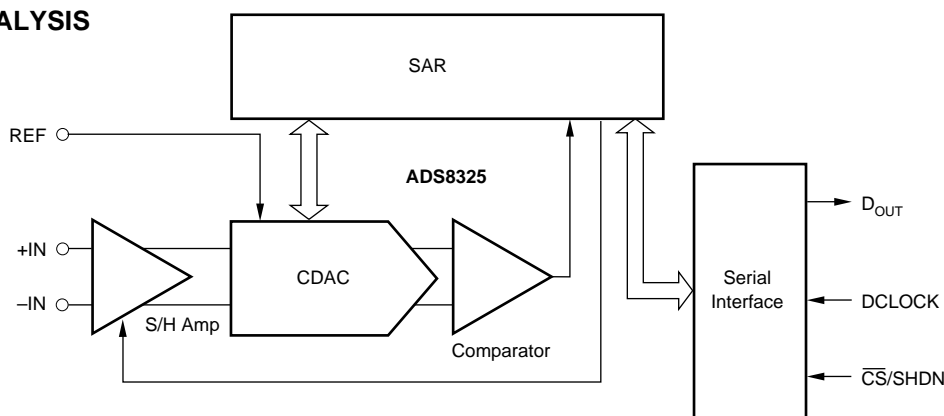
- BATTERY-OPERATED SYSTEMS
- REMOTE DATA ACQUISITION
- ISOLATED DATA ACQUISITION
- SIMULTANEOUS SAMPLING, MULTI-CHANNEL  
SYSTEMS
- INDUSTRIAL CONTROLS
- ROBOTICS
- VIBRATION ANALYSIS

## DESCRIPTION

The ADS8325 is a 16-bit, sampling, Analog-to-Digital (A/D) converter specified for a supply voltage range from 2.7V to 5.5V. It requires very little power, even when operating at the full 100kHz data rate. At lower data rates, the high speed of the device enables it to spend most of its time in the power-down mode. For example, the average power dissipation is less than 1mW at a 10kHz data rate.

The ADS8325 offers excellent linearity and very low noise and distortion. It also features a synchronous serial (SPI/SSI compatible) interface and a differential input. The reference voltage can be set to any level within the range of 2.5V to  $V_{DD}$ .

Low power and small size make the ADS8325 ideal for portable and battery-operated systems. It is also a perfect fit for remote data acquisition modules, simultaneous multi-channel systems, and isolated data acquisition. The ADS8325 is available in MSOP-8 and SON-8 packages. The SON package size is the same as a 3x3 QFN package.



Please be aware that an important notice concerning availability, standard warranty, and use in critical applications of Texas Instruments semiconductor products and disclaimers thereto appears at the end of this data sheet.

All trademarks are the property of their respective owners.

## ABSOLUTE MAXIMUM RATINGS<sup>(1)</sup>

over operating free-air temperature, unless otherwise noted.

Supply Voltage, DGND to $V_{DD}$	-0.3V to 6V
Analog Input Voltage <sup>(2)</sup>	-0.3V to $V_{DD} + 0.3V$
Reference Input Voltage <sup>(2)</sup>	-0.3V to $V_{DD} + 0.3V$
Digital Input Voltage <sup>(2)</sup>	-0.3V to $V_{DD} + 0.3V$
Input Current to Any Pin Except Supply	-20mA to 20mA
Power Dissipation	See Dissipation Rating Table
Operating Virtual Junction Temperature Range, $T_J$	-40°C to +150°C
Operating Free-Air Temperature Range, $T_A$	-40°C to +85°C
Storage Temperature Range, $T_{STG}$	-65°C to +150°C
Lead Temperature 1.6mm (1/16 inch) from Case for 10sec	260°C

NOTES: (1) Stresses beyond those listed under "absolute maximum ratings" may cause permanent damage to the device. These are stress ratings only, and functional operation of the device at these or any other conditions beyond those indicated under "recommended operating conditions" is not implied. Exposure to absolute-maximum-rated conditions of extended periods may affect device reliability. (2) All voltage values are with respect to ground terminal.



## ELECTROSTATIC DISCHARGE SENSITIVITY

This integrated circuit can be damaged by ESD. Texas Instruments recommends that all integrated circuits be handled with appropriate precautions. Failure to observe proper handling and installation procedures can cause damage.

ESD damage can range from subtle performance degradation to complete device failure. Precision integrated circuits may be more susceptible to damage because very small parametric changes could cause the device not to meet its published specifications.

## PACKAGE/ORDERING INFORMATION

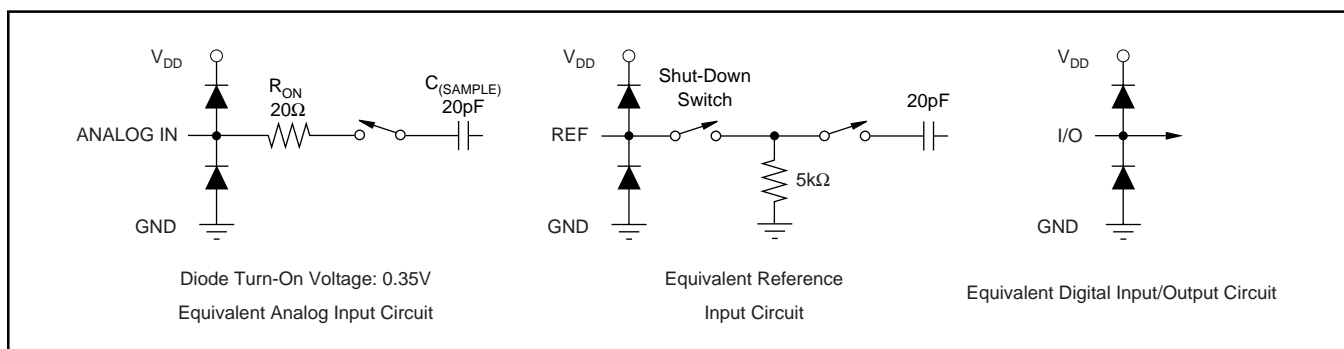
PRODUCT	MAXIMUM INTEGRAL LINEARITY ERROR (LSB)	NO MISSING CODES ERROR (LSB) <sup>(1)</sup>	PACKAGE-LEAD	PACKAGE DESIGNATOR <sup>(2)</sup>	SPECIFIED TEMPERATURE RANGE	PACKAGE MARKING	ORDERING NUMBER	TRANSPORT MEDIA, QUANTITY
ADS8325I	±6	15	MSOP-8	DGK	-40°C to 85°C	B25	ADS8325IDGKT	Tape and Reel, 250
"	"	"	"	"	"	"	ADS8325IDGKR	Tape and Reel, 2500
ADS8325IB	±4	16	MSOP-8	DGK	-40°C to 85°C	B25	ADS8325IBDGKT	Tape and Reel, 250
"	"	"	"	"	"	"	ADS8325IBDGKR	Tape and Reel, 2500
ADS8325I	±6	15	SON-8	DRB	-40°C to 85°C	B25	ADS8325IDRBT	Tape and Reel, 250
"	"	"	"	"	"	"	ADS8325IDRBR	Tape and Reel, 2500
ADS8325IB	±4	16	SON-8	DRB	-40°C to 85°C	B25	ADS8325IBDRBT	Tape and Reel, 250
"	"	"	"	"	"	"	ADS8325IBDRBR	Tape and Reel, 2500

NOTE: (1) No Missing Codes Error specifies a 5V power supply and reference voltage. (2) For the most current specifications and package information, refer to our web site at [www.ti.com](http://www.ti.com).

## PACKAGE DISSIPATION RATING TABLE

PACKAGE	$R_{\theta JC}$	$R_{\theta JA}$	DERATING FACTOR ABOVE $T_A = 25^\circ\text{C}$	$T_A \leq 25^\circ\text{C}$ POWER RATING	$T_A = 70^\circ\text{C}$ POWER RATING	$T_A = 85^\circ\text{C}$ POWER RATING
DGK	39.1°C/W	206.3°C/W	4.847mW/°C	606mW	388mW	315mW
DRB	5°C/W	45.8°C/W	3.7mW/°C	370mW	204mW	148mW

## EQUIVALENT INPUT CIRCUIT



## RECOMMENDED OPERATING CONDITIONS

		MIN	TYP	MAX	UNIT
Supply Voltage	Low-Voltage Levels	2.7		3.6	V
	GND to $V_{DD}$ 5V Logic Levels	4.5	5.0	5.5	V
Reference Input Voltage		2.5		$V_{DD}$	V
Analog Input Voltage	-IN	-0.3	0	0.5	V
	+IN - (-IN)	0		$V_{REF}$	V
Operating Junction Temperature Range, $T_J$		-40		125	°C

# ELECTRICAL CHARACTERISTICS: $V_{DD} = +5V$

Over recommended operating free-air temperature at  $-40^{\circ}C$  to  $+85^{\circ}C$ ,  $V_{REF} = +5V$ ,  $-IN = GND$ ,  $f_{SAMPLE} = 100kHz$ , and  $f_{CLK} = 24 \cdot f_{SAMPLE}$ , unless otherwise noted.

PARAMETER	CONDITIONS	ADS8325I			ADS8325IB			UNITS
		MIN	TYP	MAX	MIN	TYP	MAX	
<b>ANALOG INPUT</b>								
Full-Scale Range	FSR	0		$V_{REF}$	*		*	V
Operating Common-Mode Signal		-0.3		0.5	*		*	V
Input Resistance			5			*		$G\Omega$
Input Capacitance			45			*		pF
Input Leakage Current			$\pm 50$			*		nA
Differential Input Capacitance			20			*		pF
Full-Power Bandwidth	FSBW		20			*		kHz
<b>DC ACCURACY</b>								
Resolution		16			*			Bits
No Missing Code	NMC	15			16			Bits
Integral Linearity Error	INL		$\pm 3$	$\pm 6$		$\pm 1.5$	$\pm 4$	LSB
Offset Error	$V_{OS}$		$\pm 0.75$	$\pm 1.5$		$\pm 0.5$	$\pm 1$	mV
Offset Error Drift	$TCV_{OS}$		$\pm 0.2$			*		ppm/ $^{\circ}C$
Gain Error	$G_{ERR}$			$\pm 24$			$\pm 12$	LSB
Gain Error Drift	$TCG_{ERR}$		$\pm 0.3$			*		ppm/ $^{\circ}C$
Noise			20			*		$\mu VRMS$
Power-Supply Rejection		$4.75V \leq V_{DD} \leq 5.25$		3		*		LSB
<b>SAMPLING DYNAMICS</b>								
Conversion Time	$t_{CONV}$		$24kHz < f_{CLK} \leq 2.4MHz$		6.667		666.7	$\mu s$
Acquisition Time	$t_{AQ}$		$f_{CLK} = 2.4MHz$		1.875		*	$\mu s$
Throughput Rate							100	kSPS
Clock Frequency					0.024		2.4	MHz
<b>AC ACCURACY</b>								
Total Harmonic Distortion	THD		5Vp-p Sinewave, at 1kHz		-100		-106	dB
Spurious-Free Dynamic Range	SFDR		5Vp-p Sinewave, at 1kHz		-100		-108	dB
Signal-to-Noise Ratio	SNR		5Vp-p Sinewave, at 1kHz		-90		-91	dB
Signal-to-Noise + Distortion	SINAD		5Vp-p Sinewave, at 1kHz		-90		-91	dB
Effective Number of Bits	ENOB		5Vp-p Sinewave, at 1kHz		14.6		14.7	Bits
<b>VOLTAGE REFERENCE INPUT</b>								
Reference Voltage		2.5		$V_{DD} + 0.3$	*		*	V
Reference Input Resistance			5			*		k $\Omega$
			5			*		$G\Omega$
Reference Input Capacitance			20			*		pF
Reference Input Current			1	1.5		*	*	mA
			0.1			*	*	$\mu A$
<b>DIGITAL INPUTS<sup>(1)</sup></b>								
Logic Family				CMOS		*		
High-Level Input Voltage	$V_{IH}$	$0.7 \cdot V_{DD}$		$V_{DD} + 0.3$	*		*	V
Low-Level Input Voltage	$V_{IL}$	-0.3		$0.3 \cdot V_{DD}$	*		*	V
Input Current	$I_{IN}$			$\pm 50$				nA
Input Capacitance	$C_I$		5			*		pF
<b>DIGITAL OUTPUTS<sup>(1)</sup></b>								
Logic Family				CMOS		*		
High-Level Output Voltage	$V_{OH}$	4.44			*			V
Low-Level Output Voltage	$V_{OL}$			0.5			*	V
High-Impedance-State Output Current	$I_{OZ}$			$\pm 50$			*	nA
Output Capacitance	$C_O$		5			*		pF
Load Capacitance	$C_L$			30		*		pF
Data Format			Straight Binary			*		

\* indicates the same specifications as the ADS8325I.

NOTE: (1) Applies for 5.0V nominal supply:  $V_{DD} (min) = 4.5V$  and  $V_{DD} (max) = 5.5V$ .

# ELECTRICAL CHARACTERISTICS: $V_{DD} = +2.7V$

Over recommended operating free-air temperature at  $-40^{\circ}C$  to  $+85^{\circ}C$ ,  $V_{REF} = +2.5V$ ,  $-IN = GND$ ,  $f_{SAMPLE} = 100kHz$ , and  $f_{CLK} = 24 \cdot f_{SAMPLE}$ , unless otherwise noted.

PARAMETER	CONDITIONS	ADS8325I			ADS8325IB			UNITS
		MIN	TYP	MAX	MIN	TYP	MAX	
<b>ANALOG INPUT</b>								
Full-Scale Range	FSR	+IN – (–IN)	0		$V_{REF}$	*	*	V
Operating Common-Mode Signal			–0.3		0.5	*	*	V
Input Resistance		–IN = GND		5		*		$G\Omega$
Input Capacitance		–IN = GND, During Sampling		45		*		pF
Input Leakage Current		–IN = GND		$\pm 50$		*		nA
Differential Input Capacitance		+IN to –IN, During Sampling		20		*		pF
Full-Power Bandwidth	FSBW	$f_s$ Sinewave, SINAD at –3dB		4		*		kHz
<b>DC ACCURACY</b>								
Resolution		16			*		Bits	
No Missing Code	NMC		14			15		Bits
Integral Linearity Error	INL			$\pm 3$	$\pm 6$	$\pm 1.5$	$\pm 4$	LSB
Offset Error	$V_{OS}$			$\pm 0.75$	$\pm 1.5$	$\pm 0.5$	$\pm 1$	mV
Offset Error Drift	$TCV_{OS}$			$\pm 3$		*		ppm/ $^{\circ}C$
Gain Error	$G_{ERR}$			$\pm 33$		$\pm 16$		LSB
Gain Error Drift	$TCG_{ERR}$			$\pm 0.3$		*		ppm/ $^{\circ}C$
Noise				20		*		$\mu V_{RMS}$
Power-Supply Rejection		$2.7V \leq V_{DD} \leq 3.6V$		7		*		LSB
<b>SAMPLING DYNAMICS</b>								
Conversion Time	$t_{CONV}$	$24kHz < f_{CLK} \leq 2.4MHz$	6.667		666.7			$\mu s$
Acquisition Time	$t_{AQ}$	$f_{CLK} = 2.4MHz$	1.875					$\mu s$
Throughput Rate					100			kSPS
Clock Frequency			0.024		2.4			MHz
<b>AC ACCURACY</b>								
Total Harmonic Distortion	THD	2.5Vp-p Sinewave, at 1kHz		–94		*		dB
Spurious-Free Dynamic Range	SFDR	2.5Vp-p Sinewave, at 1kHz		–96		*		dB
Signal-to-Noise Ratio	SNR	2.5Vp-p Sinewave, at 1kHz		–85		–86		dB
Signal-to-Noise + Distortion	SINAD	2.5Vp-p Sinewave, at 1kHz		–85		–85.5		dB
Effective Number of Bits	ENOB			13.8		13.9		Bits
<b>VOLTAGE REFERENCE INPUT</b>								
Reference Voltage		$\overline{CS} = GND, f_{SAMPLE} = 0Hz$	2.5		$V_{DD} + 0.3$	*	*	V
Reference Input Resistance		$\overline{CS} = V_{DD}$		5		*		$k\Omega$
Reference Input Capacitance				5		*		$G\Omega$
Reference Input Current				20		*		pF
				0.5	0.75	*	*	mA
		$\overline{CS} = V_{DD}$		0.1		*		$\mu A$
<b>DIGITAL INPUTS<sup>(1)</sup></b>								
Logic Family					LVC MOS		*	
High-Level Input Voltage	$V_{IH}$	$V_{DD} = 3.6V$	2		$V_{DD} + 0.3$	*	*	V
Low-Level Input Voltage	$V_{IL}$	$V_{DD} = 2.7V$	–0.3		0.8	*	*	V
Input Current	$I_{IN}$	$V_I = V_{DD}$ or GND			$\pm 50$	*	*	nA
Input Capacitance	$C_I$			5		*		pF
<b>DIGITAL OUTPUTS<sup>(1)</sup></b>								
Logic Family					LVC MOS		*	
High-Level Output Voltage	$V_{OH}$	$V_{DD} = 2.7V, I_{OH} = -100\mu A$	$V_{DD} - 0.2$			*		V
Low-Level Output Voltage	$V_{OL}$	$V_{DD} = 2.7V, I_{OL} = 100\mu A$			0.2		*	V
High-Impedance-State Output Current	$I_{OZ}$	$\overline{CS} = V_{DD}, V_I = V_{DD}$ or GND			$\pm 50$	*	*	nA
Output Capacitance	$C_O$			5		*	*	pF
Load Capacitance	$C_L$				30		*	pF
Data Format					Straight Binary		*	

\* indicates the same specifications as the ADS8325I.

NOTE: (1) Applies for 3.0V nominal supply:  $V_{DD}(\min) = 2.7V$  and  $V_{DD}(\max) = 3.6V$ .

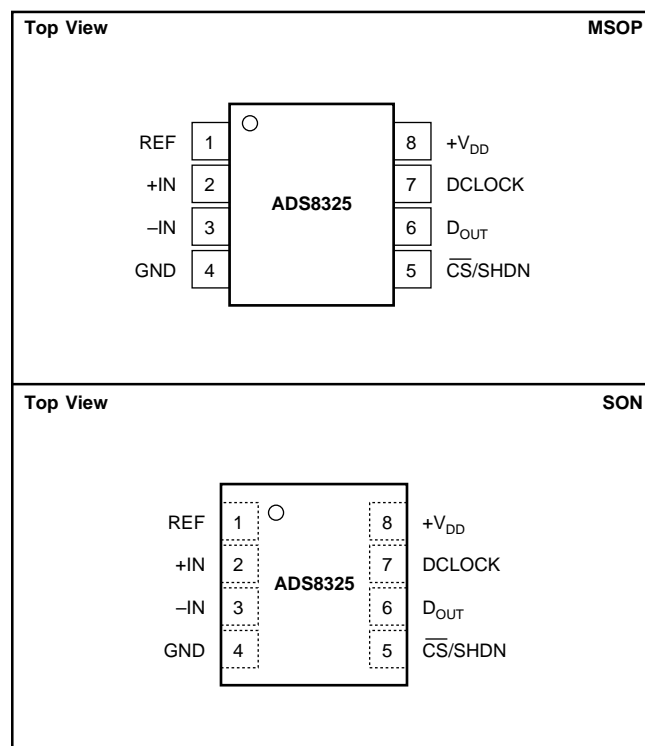
# ELECTRICAL CHARACTERISTICS

Over recommended operating free-air temperature at  $-40^{\circ}\text{C}$  to  $85^{\circ}\text{C}$ ,  $V_{\text{REF}} = V_{\text{DD}}$ ,  $-\text{IN} = \text{GND}$ ,  $f_{\text{SAMPLE}} = 100\text{kHz}$ , and  $f_{\text{CLK}} = 24 \cdot f_{\text{SAMPLE}}$ , unless otherwise noted.

PARAMETER	CONDITIONS	ADS8325I			ADS8325IB			UNITS
		MIN	TYP	MAX	MIN	TYP	MAX	
<b>POWER-SUPPLY REQUIREMENTS</b>								
Power Supply ( $V_{\text{DD}}$ )	Low-Voltage Levels	2.7		3.6	*		*	V
	5V Logic Levels	4.5		5.5	*		*	V
Operating Supply Current ( $I_{\text{DD}}$ )	$V_{\text{DD}} = 3\text{V}$		0.75	1.5		*	*	mA
	$V_{\text{DD}} = 5\text{V}$		0.9	1.5		*	*	mA
Power-Down Supply Current ( $I_{\text{DD}}$ )	$V_{\text{DD}} = 3\text{V}$		0.1			*	*	$\mu\text{A}$
	$V_{\text{DD}} = 5\text{V}$		0.2			*	*	$\mu\text{A}$
Power Dissipation	$V_{\text{DD}} = 3\text{V}$		2.25	4.5		*	*	mW
	$V_{\text{DD}} = 5\text{V}$		4.5	7.5		*	*	mW
Power Dissipation in Power-Down	$V_{\text{DD}} = 3\text{V}$ , $\text{CS} = V_{\text{DD}}$		0.3			*	*	$\mu\text{W}$
	$V_{\text{DD}} = 5\text{V}$ , $\text{CS} = V_{\text{DD}}$		0.6			*	*	$\mu\text{W}$

\* indicates the same specifications as the ADS8325I.

## PIN CONFIGURATION



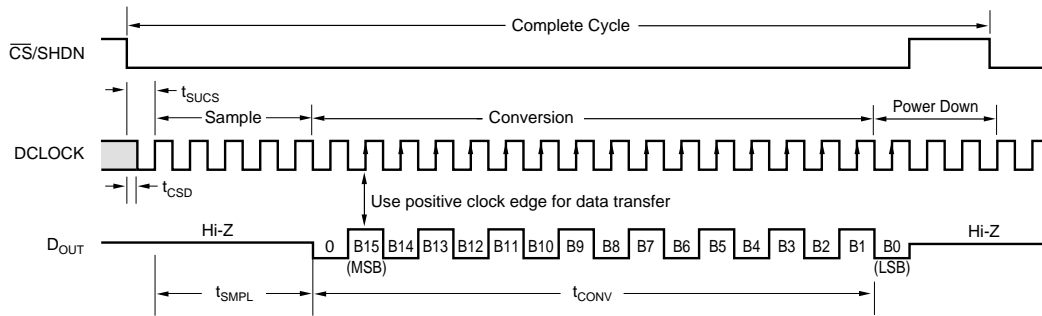
## PIN DESCRIPTIONS

NAME	PIN	I/O	DESCRIPTION
REF	1	AI	Reference Input
+IN	2	AI	Noninverting Input
-IN	3	AI	Inverting Analog Input
GND	4	P	Ground
$\overline{\text{CS}}/\text{SHDN}$	5	DI	Chip Select when LOW, Shutdown Mode when HIGH.
$D_{\text{OUT}}$	6	DO	The serial output data word.
DCLOCK	7	DI	Data Clock synchronizes the serial data transfer and determines conversion speed.
$V_{\text{DD}}$	8	P	Power Supply

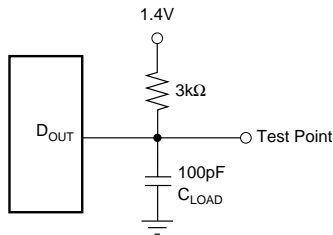
NOTE: AI is Analog Input, DI is Digital Input, DO is Digital Output, and P is Power-Supply Connection.

## TIMING DIAGRAMS

Timing Diagrams and Test Circuits for the Parameters in the Timing Characteristics table.



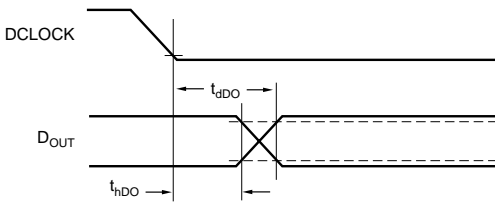
NOTE: A minimum of 22 clock cycles are required for 16-bit conversion. Shown are 24 clock cycles. If CS remains LOW at the end of conversion, a new datastream with LSB-first is shifted out again.



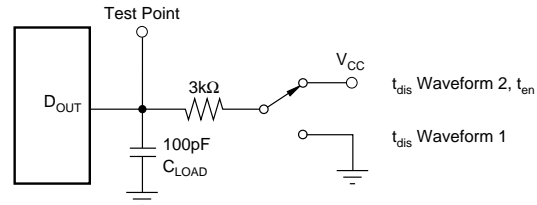
Load Circuit for  $t_{dO}$ ,  $t_r$ , and  $t_f$



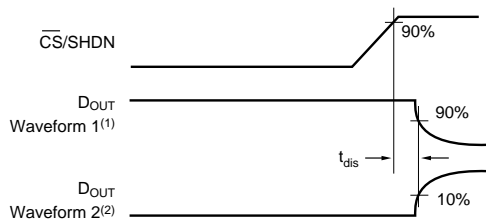
Voltage Waveforms for  $D_{OUT}$  Rise and Fall Times,  $t_r$ ,  $t_f$



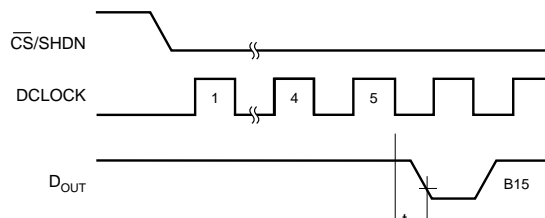
Voltage Waveforms for  $D_{OUT}$  Delay Times,  $t_{dDO}$



Load Circuit for  $t_{dis}$  and  $t_{en}$



Voltage Waveforms for  $t_{dis}$



Voltage Waveforms for  $t_{en}$

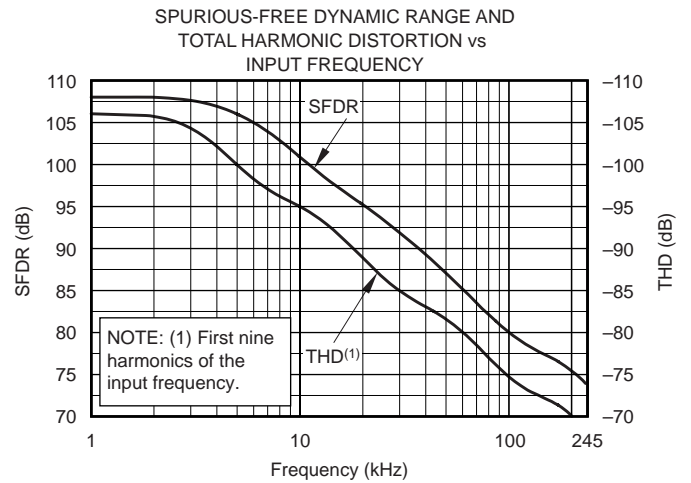
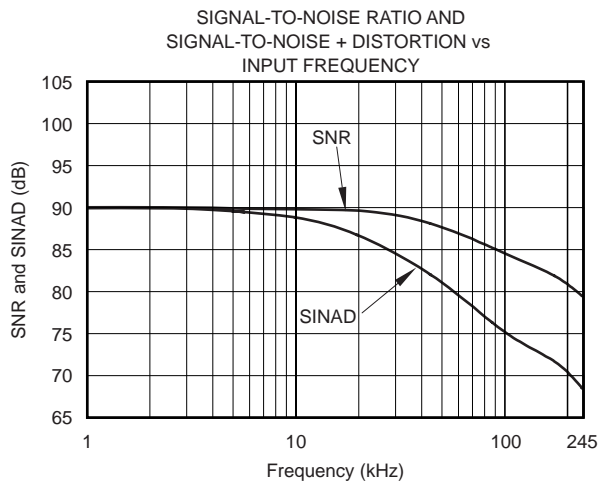
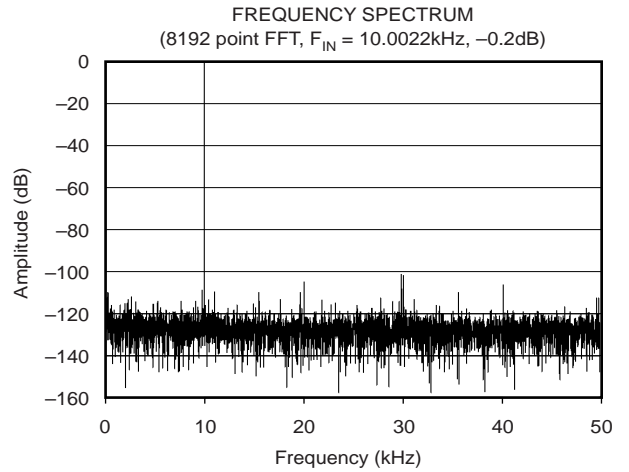
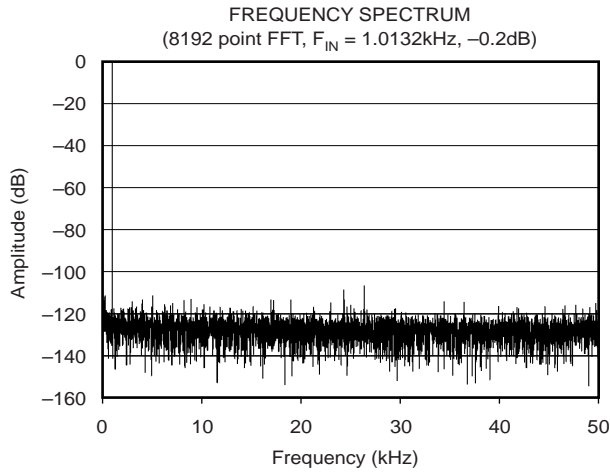
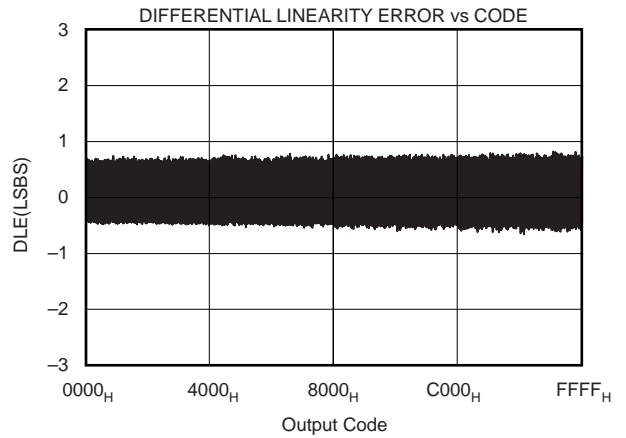
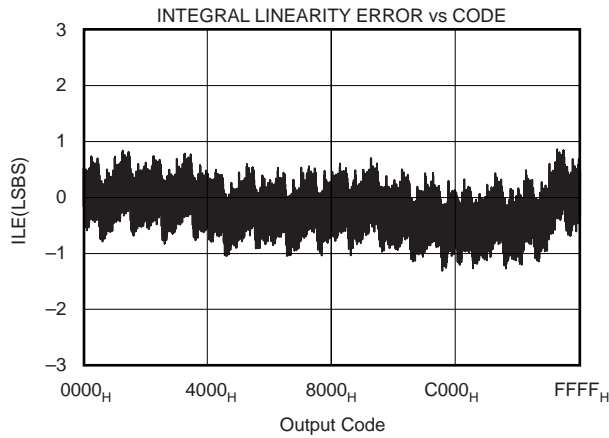
NOTES: (1) Waveform 1 is for an output with internal conditions such that the output is HIGH unless disabled by the output control. (2) Waveform 2 is for an output with internal conditions such that the output is LOW unless disabled by the output control.

## TIMING CHARACTERISTICS

SYMBOL	DESCRIPTION	MIN	TYP	MAX	UNITS
$t_{SMPL}$	Analog Input Sample Time	4.5		5.0	Clk Cycles
$t_{CONV}$	Conversion Time		16		Clk Cycles
$t_{CYC}$	Throughput Rate			100	kHz
$t_{CSD}$	CS Falling to DCLOCK LOW			0	ns
$t_{SUCS}$	CS Falling to DCLOCK Rising	20			ns
$t_{HDO}$	DCLOCK Falling to Current $D_{OUT}$ Not Valid	5	15		ns
$t_{DIS}$	CS Rising to $D_{OUT}$ Tri-State		70	100	ns
$t_{EN}$	DCLOCK Falling to $D_{OUT}$ Enabled		20	50	ns
$t_F$	$D_{OUT}$ Fall Time		5	25	ns
$t_R$	$D_{OUT}$ Rise Time		7	25	ns

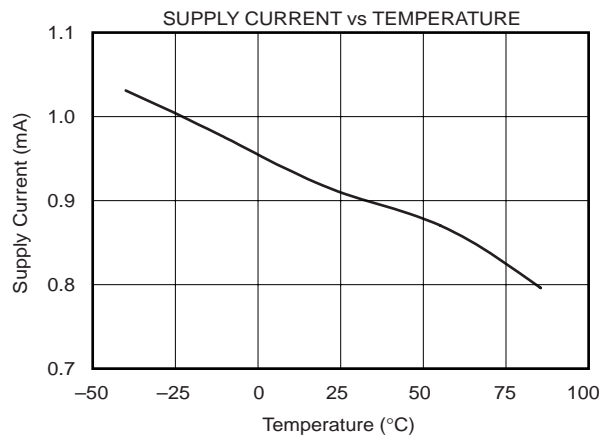
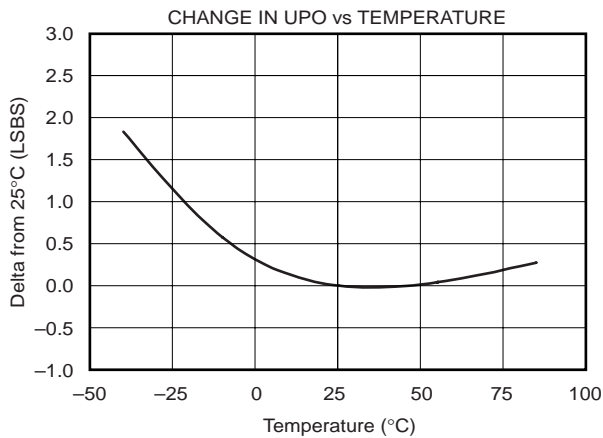
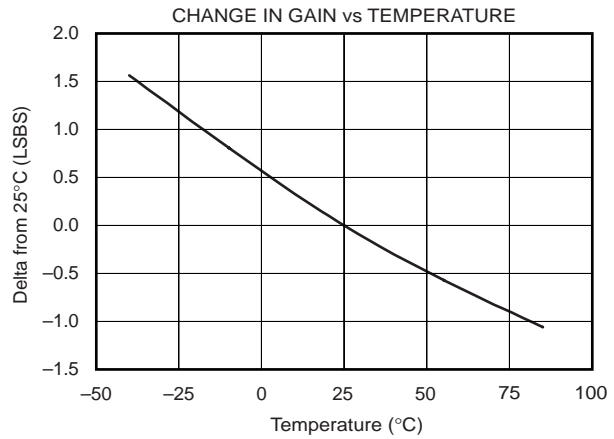
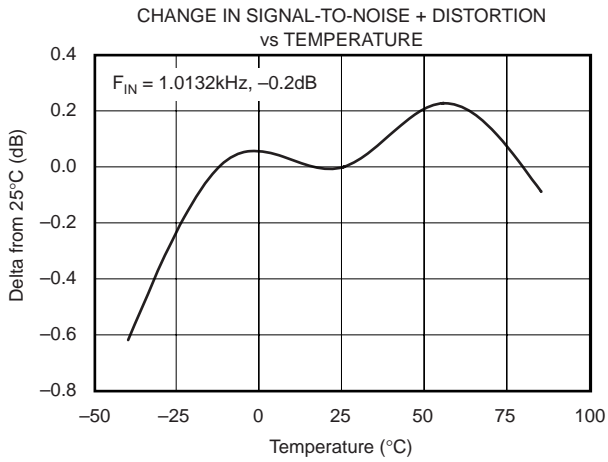
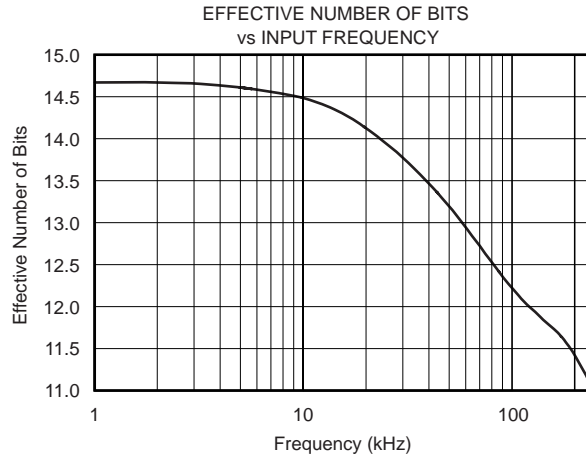
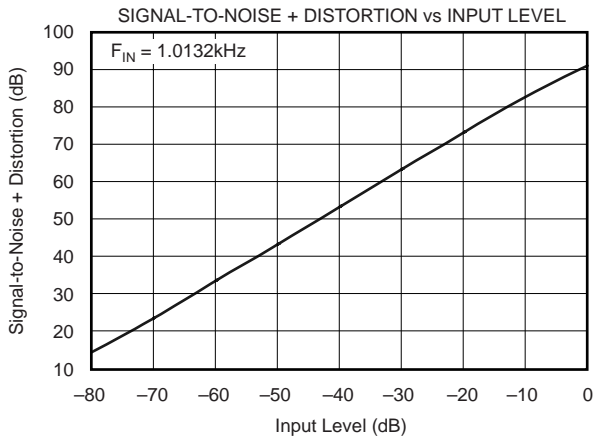
# TYPICAL CHARACTERISTICS: $V_{DD} = +5V$

At  $T_A = 25^\circ C$ ,  $V_{DD} = +5V$ ,  $V_{REF} = +5V$ ,  $f_{SAMPLE} = 100kHz$ ,  $f_{CLK} = 24 \cdot f_{SAMPLE}$ , unless otherwise noted.



# TYPICAL CHARACTERISTICS: $V_{DD} = +5V$ (Cont.)

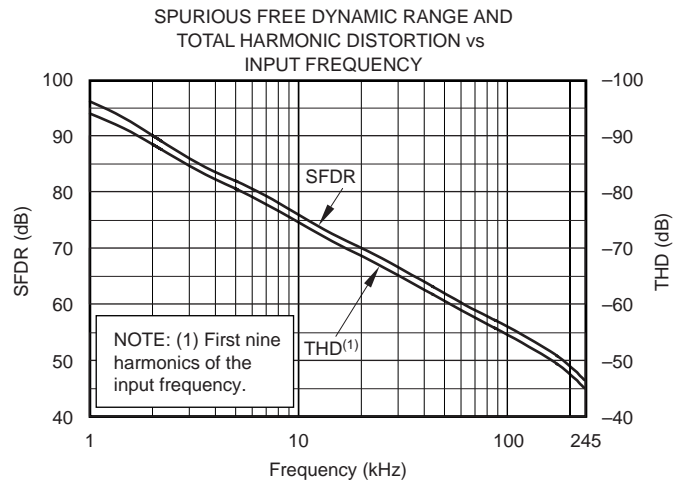
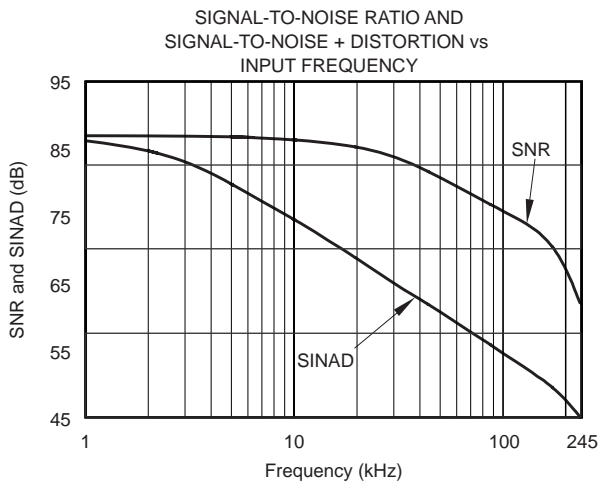
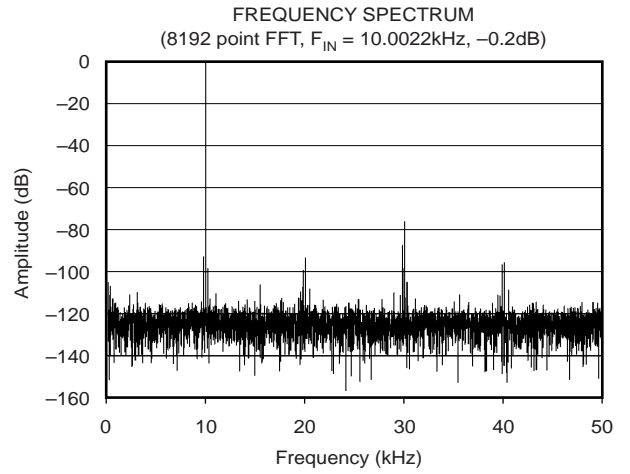
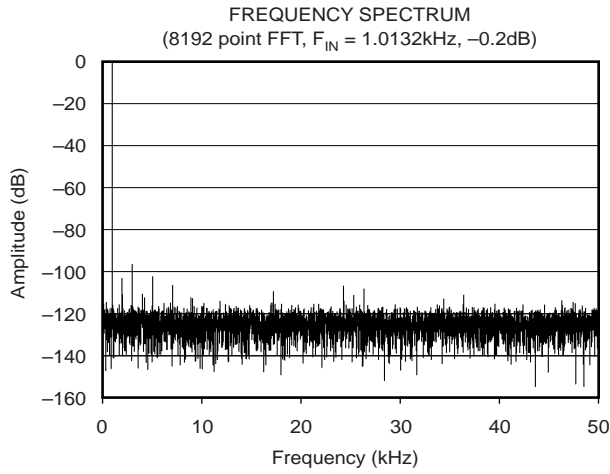
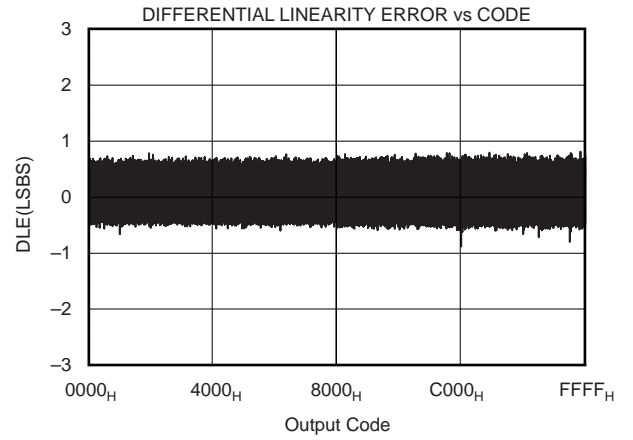
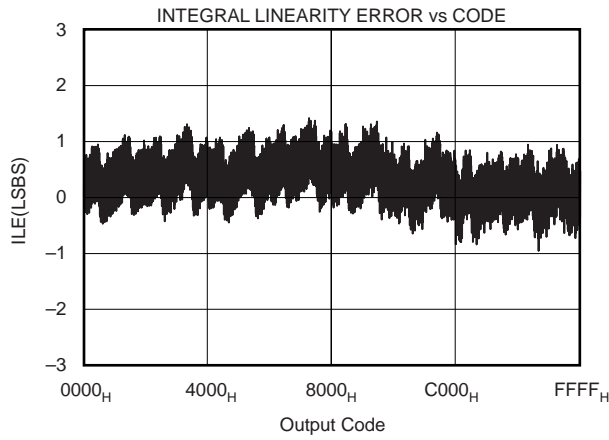
At  $T_A = 25^\circ C$ ,  $V_{DD} = +5V$ ,  $V_{REF} = +5V$ ,  $f_{SAMPLE} = 100kHz$ ,  $f_{CLK} = 24 \cdot f_{SAMPLE}$ , unless otherwise noted.





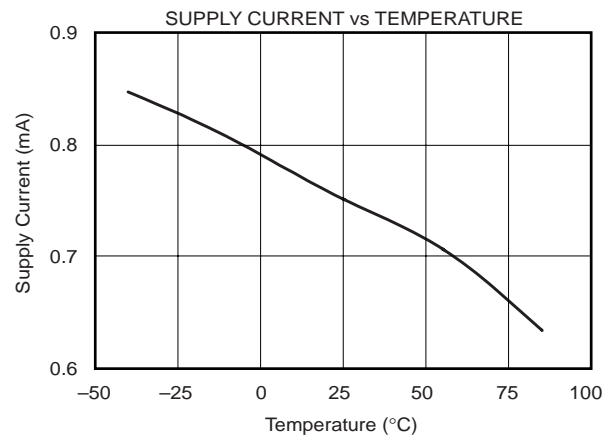
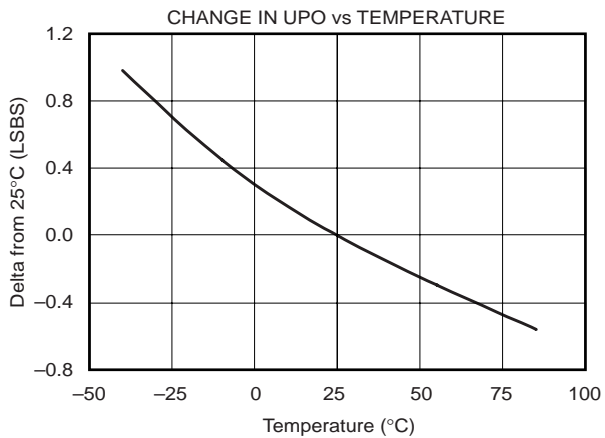
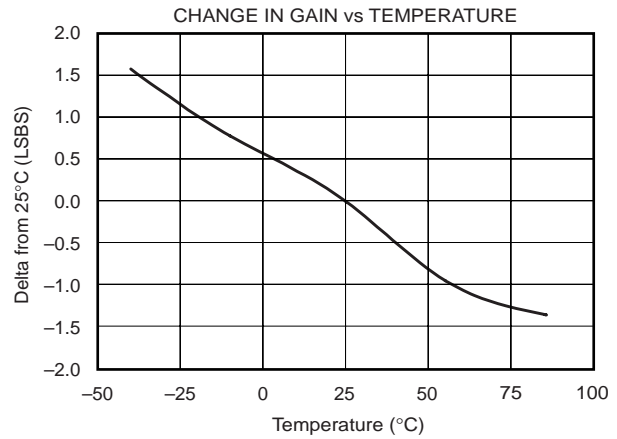
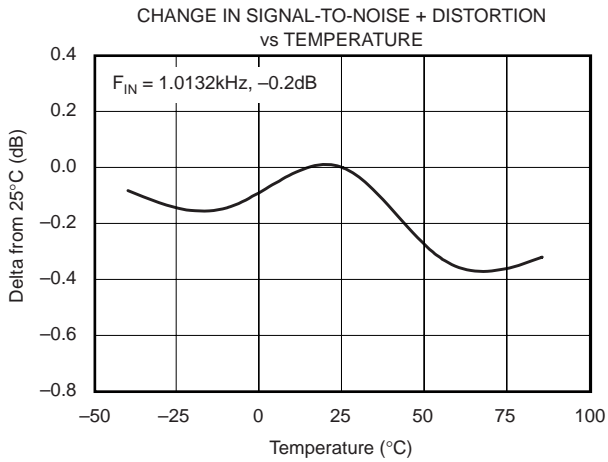
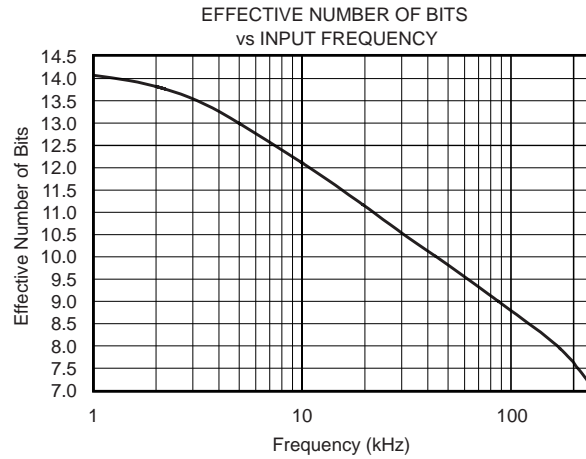
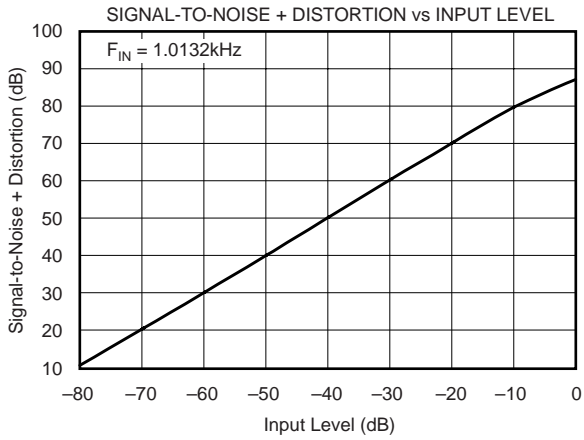
# TYPICAL CHARACTERISTICS: $V_{DD} = +2.7V$

At  $T_A = 25^\circ C$ ,  $V_{DD} = 2.7V$ ,  $V_{REF} = 2.5V$ ,  $f_{SAMPLE} = 100kHz$ ,  $f_{CLK} = 24 \cdot f_{SAMPLE}$ , unless otherwise noted.



# TYPICAL CHARACTERISTICS: $V_{DD} = +2.7V$ (Cont.)

At  $T_A = 25^\circ C$ ,  $V_{DD} = 2.7V$ ,  $V_{REF} = 2.5V$ ,  $f_{SAMPLE} = 100kHz$ ,  $f_{CLK} = 24 \cdot f_{SAMPLE}$ , unless otherwise noted.



# THEORY OF OPERATION

The ADS8325 is a classic Successive Approximation Register (SAR) Analog-to-Digital (A/D) converter. The architecture is based on capacitive redistribution that inherently includes a sample-and-hold function. The converter is fabricated on a  $0.6\mu$  CMOS process. The architecture and process allow the ADS8325 to acquire and convert an analog signal at up to 100,000 conversions per second while consuming less than 4.5mW from  $+V_{DD}$ .

The ADS8325 requires an external reference, an external clock, and a single power source ( $V_{DD}$ ). The external reference can be any voltage between 2.5V and 5.5V. The value of the reference voltage directly sets the range of the analog input. The reference input current depends on the conversion rate of the ADS8325.

The external clock can vary between 24kHz (1kHz throughput) and 2.4MHz (100kHz throughput). The duty cycle of the clock is essentially unimportant as long as the minimum high and low times are at least 200ns ( $V_{DD} = 4.75V$  or greater). The minimum clock frequency is set by the leakage on the internal capacitors to the ADS8325.

The analog input is provided to two input pins: +IN and -IN. When a conversion is initiated, the differential input on these pins is sampled on the internal capacitor array. While a conversion is in progress, both inputs are disconnected from any internal function.

The digital result of the conversion is clocked out by the DCLOCK input and is provided serially, most significant bit first, on the  $D_{OUT}$  pin. The digital data that is provided on the  $D_{OUT}$  pin is for the conversion currently in progress—there is no pipeline delay. It is possible to continue to clock the ADS8325 after the conversion is complete and to obtain the serial data least significant bit first. See the Digital Timing section for more information.

## ANALOG INPUT

The analog input of ADS8325 is differential. The +IN and -IN input pins allow for a differential input signal. The amplitude of the input is the difference between the +IN and -IN input, or  $(+IN) - (-IN)$ . Unlike some converters of this type, the -IN input is not resampled later in the conversion cycle. When the converter goes into the hold mode or conversion, the voltage difference between +IN and -IN is captured on the internal capacitor array.

The range of the -IN input is limited to  $-0.3V$  to  $+0.5V$ . Due to this, the differential input could be used to reject signals that are common to both inputs in the specified range. Thus, the -IN input is best used to sense a remote signal ground that may move slightly with respect to the local ground potential.

The general method for driving the analog input of the ADS8325 is shown in Figures 1 and 2. The -IN input is held at the common-mode voltage. The +IN input swings from -IN (or common-mode voltage) to  $-IN + V_{REF}$  (or common-mode voltage +  $V_{REF}$ ), and the peak-to-peak amplitude is  $+V_{REF}$ . The value of  $V_{REF}$  determines the range over which the common-mode voltage may vary (see Figure 3). Figures 5 and 6 illustrate the typical change in gain and offset as a function of the common-mode voltage applied to the -IN pin.

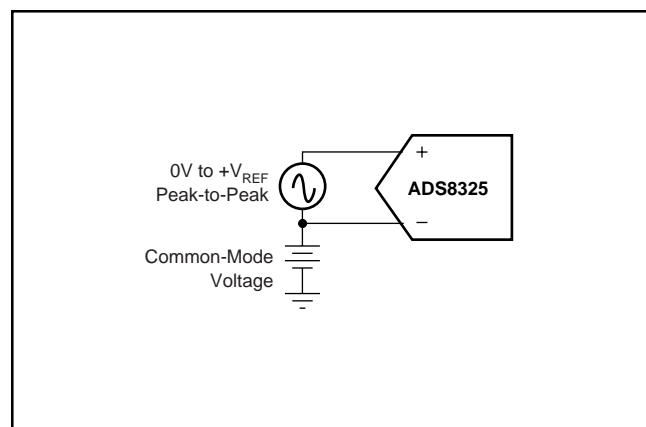


FIGURE 2. Methods of Driving the ADS8325

The input current required by the analog inputs depends on a number of factors: sample rate, input voltage, source impedance, and power-down mode. Essentially, the current into the ADS8325 charges the internal capacitor array during the sample period. After this capacitance has been fully charged, there is no further input current. The source of the analog input voltage must be able to charge the input capacitance (20pF) to a 16-bit settling level within 4.5 clock cycles (1.875 $\mu$ s). When the converter goes into the hold mode, or while it is in the power-down mode, the input impedance is greater than 1G $\Omega$ .

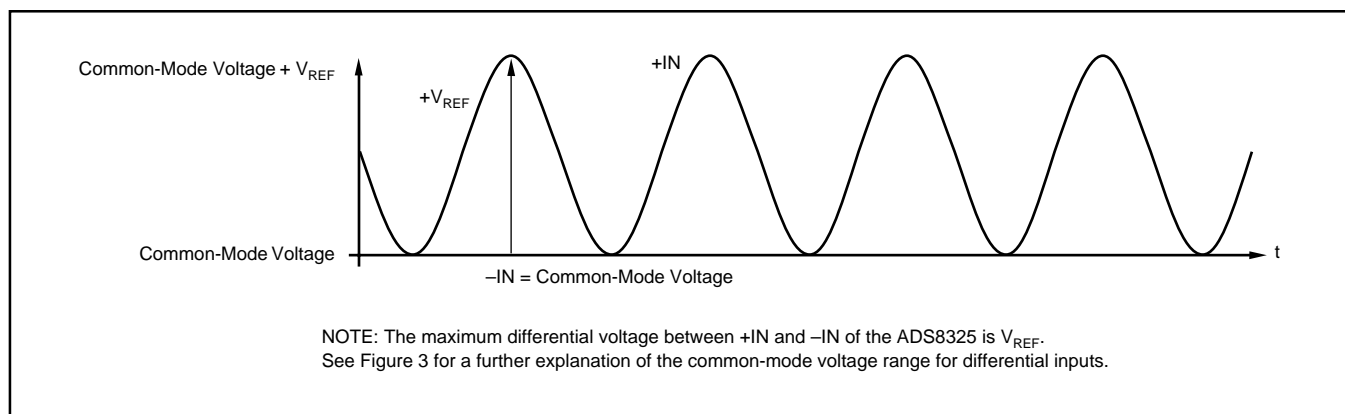


FIGURE 1. Differential Input Mode of the ADS8325.

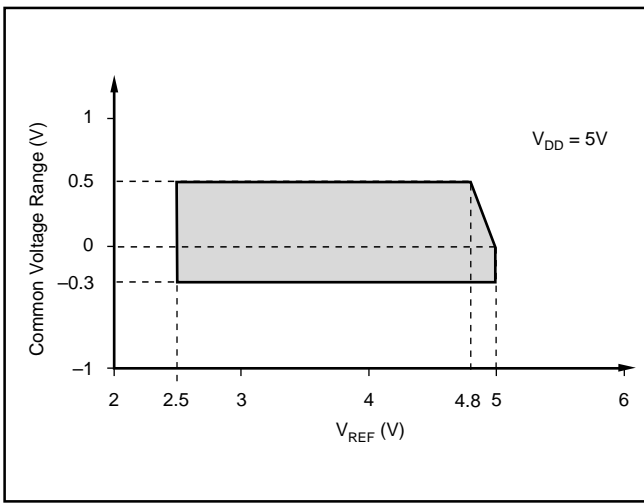


FIGURE 3. +IN Analog Input: Common-Mode Voltage Range vs V<sub>REF</sub>.

Care must be taken regarding the absolute analog input voltage. To maintain the linearity of the converter, the -IN input should not drop below GND - 0.3V or exceed GND + 0.5V. The +IN input should always remain within the range of GND - 0.3V to V<sub>DD</sub> + 0.3V, or -IN + V<sub>REF</sub>, whichever limit is reached first. Outside of these ranges, the converter's linearity may not meet specifications.

To minimize noise, low bandwidth input signals with low-pass filters should be used. In each case, care should be taken to ensure that the output impedance of the sources driving the +IN and -IN inputs are matched. Often, a small capacitor (20pF) between the positive and negative inputs helps to match their impedance. To obtain maximum performance from the ADS8325, the input circuit from Figure 4 is recommended.

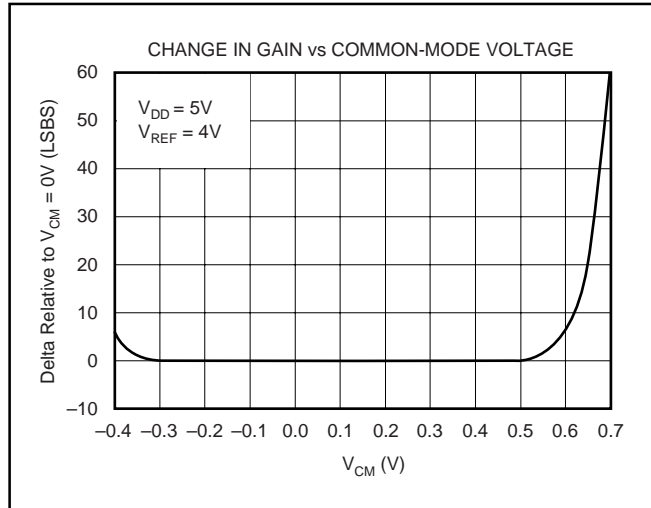


FIGURE 5. Change in Gain vs Common-Mode Voltage.

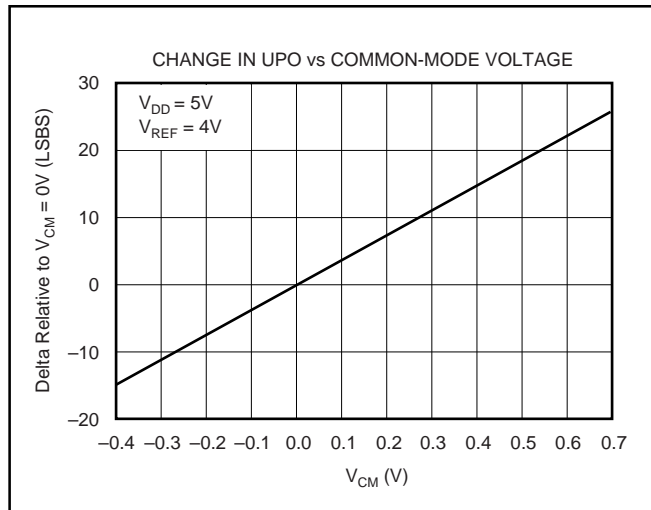


FIGURE 6. Change in Unipolar Offset vs Common-Mode Voltage.

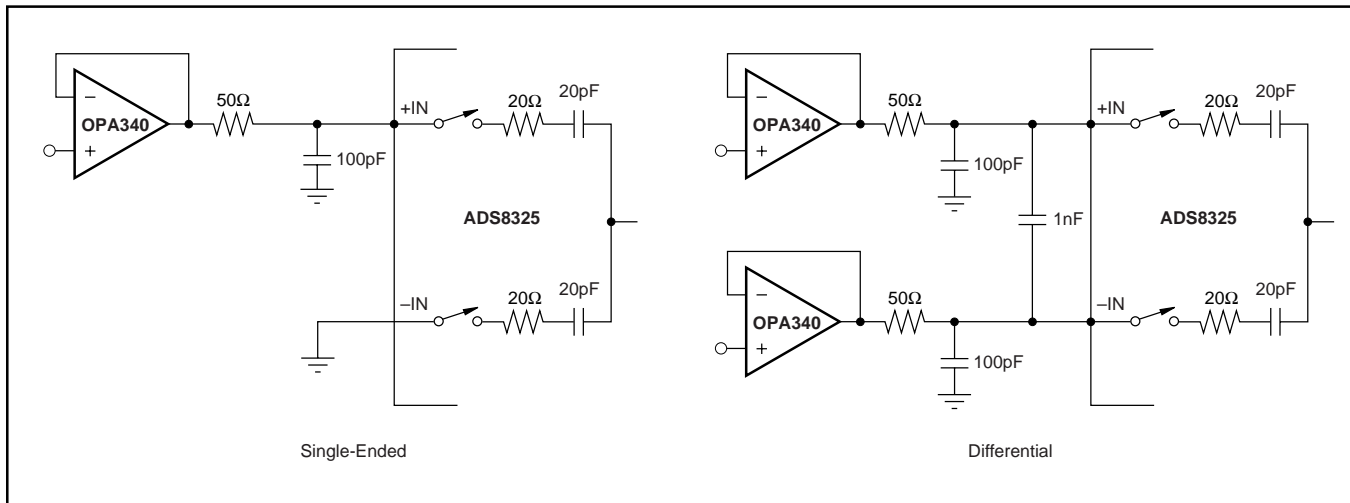


FIGURE 4. Single-Ended and Differential Methods of Interfacing the ADS8325.

# REFERENCE INPUT

The external reference sets the analog input range. The ADS8325 will operate with a reference in the range of 2.5V to  $V_{DD}$ . There are several important implications to this.

As the reference voltage is reduced, the analog voltage weight of each digital output code is reduced. This is often referred to as the Least Significant Bit (LSB) size and is equal to the reference voltage divided by 65,536. This means that any offset or gain error inherent in the A/D converter will appear to increase, in terms of LSB size, as the reference voltage is reduced. For a reference voltage of 2.5V, the value of LSB is 38.15 $\mu$ V, and for reference voltage of 5V, the LSB is 76.3 $\mu$ V.

The noise inherent in the converter will also appear to increase with lower LSB size. With a 5V reference, the internal noise of the converter typically contributes only 1.5LSBs peak-to-peak of potential error to the output code. When the external reference is 2.5V, the potential error contribution from the internal noise will be 2 times larger (3LSBs). The errors due to the internal noise are Gaussian in nature and can be reduced by averaging consecutive conversion results.

For more information regarding noise, consult the typical characteristic “Peak-to-Peak Noise vs Reference Voltage.” Note that the Effective Number Of Bits (ENOB) figure is calculated based on the converter’s signal-to-(noise + distortion) ratio with a 1kHz, 0dB input signal. SINAD is related to ENOB as follows:

$$\text{SINAD} = 6.02 \cdot \text{ENOB} + 1.76$$

As the difference between the power-supply voltage and reference voltage increases, the gain and offset performance of the converter will decrease. Figure 7 shows the typical change in gain and offset as a function of the difference between the power-supply voltage and reference voltage. For the combination of  $V_{DD} = 2.7\text{V}$  and  $V_{REF} = 2.5\text{V}$ , or  $V_{DD} = 5\text{V}$  and  $V_{REF} = 5\text{V}$ , offset and gain error will be minimal. The most dramatic difference in offset can be seen when  $V_{DD} = 5\text{V}$  and  $V_{REF} = 2.5\text{V}$ .

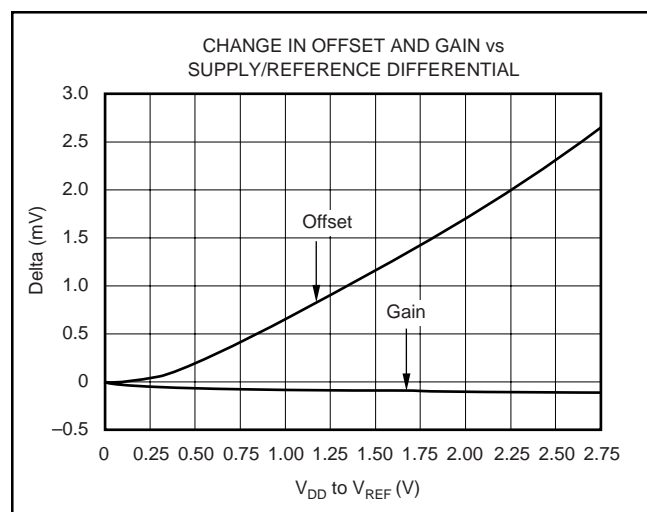


FIGURE 7. Change in Offset and Gain versus the Difference between Power-Supply and Reference Voltage.

With lower reference voltages, extra care should be taken to provide a clean layout including adequate bypassing, a clean power supply, a low-noise reference, and a low-noise input signal. Due to the lower LSB size, the converter will also be more sensitive to external sources of error, such as nearby digital signals and electromagnetic interference.

The equivalent input circuit for the reference voltage is presented in the Figure 8. The 5k $\Omega$  resistor presents a constant load during the conversion process. At the same time, an equivalent capacitor of 20pF is switched. To obtain optimum performance from the ADS8325, special care must be taken in designing the interface circuit to the reference input pin. To ensure a stable reference voltage, a 47 $\mu$ F tantalum capacitor with low ESR should be connected as close as possible to the input pin. If a high output impedance reference source is used, an additional operational amplifier with a current limiting resistor must be placed in front of the capacitors.

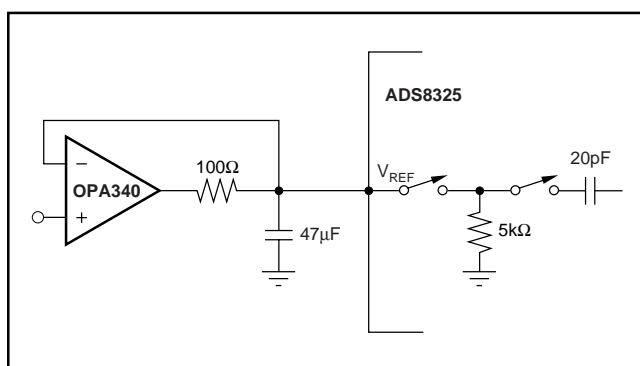


FIGURE 8. Input Reference Circuit and its Interface.

When the ADS8325 is in power-down mode, the input resistance of the reference pin will have a value of 5G $\Omega$ . Since the input capacitors must be recharged before the next conversion starts, an operational amplifier with good dynamic characteristics must be used to buffer the reference input.

## NOISE

The transition noise of the ADS8325 itself is extremely low (see Figures 9 and 10); it is much lower than competing A/D converters. These histograms were generated by applying a low-noise DC input and initiating 5000 conversions. The digital output of the A/D converter will vary in output code due to the internal noise of the ADS8325. This is true for all 16-bit, SAR-type A/D converters. Using a histogram to plot the output codes, the distribution should appear bell-shaped with the peak of the bell curve representing the nominal code for the input value. The  $\pm 1\sigma$ ,  $\pm 2\sigma$ , and  $\pm 3\sigma$  distributions will represent the 68.3%, 95.5%, and 99.7%, respectively, of all codes. The transition noise can be calculated by dividing the number of codes measured by 6 and this will yield the  $\pm 3\sigma$  distribution, or 99.7%, of all codes. Statistically, up to three codes could fall outside the distribution when executing 1000 conversions. The ADS8325, with < 3 output codes for the  $\pm 3\sigma$  distribution, will yield a <  $\pm 0.5\text{LSBs}$  of transition noise. Remember, to achieve this low-noise performance, the peak-to-peak noise of the input signal and reference must be < 50 $\mu$ V.

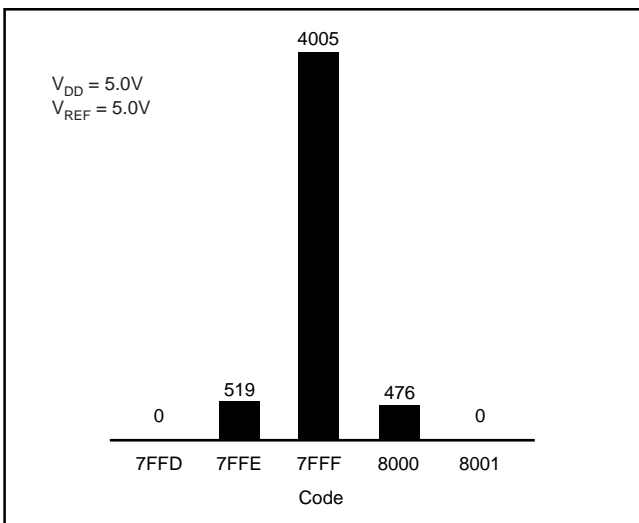


FIGURE 9. 5000 Conversion Histogram of a DC Input.

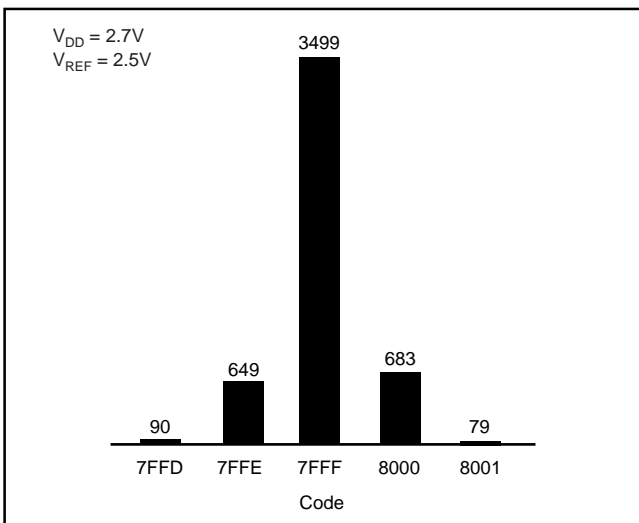


FIGURE 10. 5000 Conversion Histogram of a DC Input.

## AVERAGING

The noise of the A/D converter can be compensated by averaging the digital codes. By averaging conversion results, transition noise will be reduced by a factor of  $1/\sqrt{n}$ , where  $n$  is the number of averages. For example, averaging four conversion results will reduce the transition noise from  $\pm 0.5\text{LSB}$  to  $\pm 0.25\text{LSB}$ . Averaging should only be used for input signals with frequencies near DC.

For AC signals, a digital filter can be used to low-pass filter and decimate the output codes. This works in a similar manner to averaging; for every decimation by 2, the signal-to-noise ratio will improve 3dB.

# DIGITAL INTERFACE

## SIGNAL LEVELS

The ADS8325 has a wide range of power-supply voltage. The A/D converter, as well as the digital interface circuit, is designed to accept and operate from 2.7V up to 5.5V. This voltage range will accommodate different logic levels.

When the ADS8325's power-supply voltage is in the range of 4.5V to 5.5V (5V logic level), the ADS8325 can be connected directly to another 5V CMOS integrated circuit.

Another possibility is that the ADS8325's power-supply voltage is in the range of 2.7V to 3.6V. The ADS8325 can be connected directly to another 3.3V LVCMOS integrated circuit.

## SERIAL INTERFACE

The ADS8325 communicates with microprocessors and other digital systems via a synchronous 3-wire serial interface, as illustrated in the Timing Diagram and Timing Characteristics table. The DCLOCK signal synchronizes the data transfer with each bit being transmitted on the falling edge of DCLOCK. Most receiving systems will capture the bitstream on the rising edge of DCLOCK. However, if the minimum hold time for  $D_{\text{OUT}}$  is acceptable, the system can use the falling edge of DCLOCK to capture each bit.

A falling  $\overline{\text{CS}}$  signal initiates the conversion and data transfer. The first 4.5 to 5.0 clock periods of the conversion cycle are used to sample the input signal. After the fifth falling DCLOCK edge,  $D_{\text{OUT}}$  is enabled and will output a LOW value for one clock period. For the next 16 DCLOCK periods,  $D_{\text{OUT}}$  will output the conversion result, most significant bit first. After the least significant bit (B0) has been output, subsequent clocks will repeat the output data, but in a least significant bit first format.

After the most significant bit (B15) has been repeated,  $D_{\text{OUT}}$  will tri-state. Subsequent clocks will have no effect on the converter. A new conversion is initiated only when  $\overline{\text{CS}}$  has been taken HIGH and returned LOW.

## DATA FORMAT

The output data from the ADS8325 is in Straight Binary format (see Figure 11). This figure represents the ideal output code for a given input voltage and does not include the effects of offset, gain error, or noise.

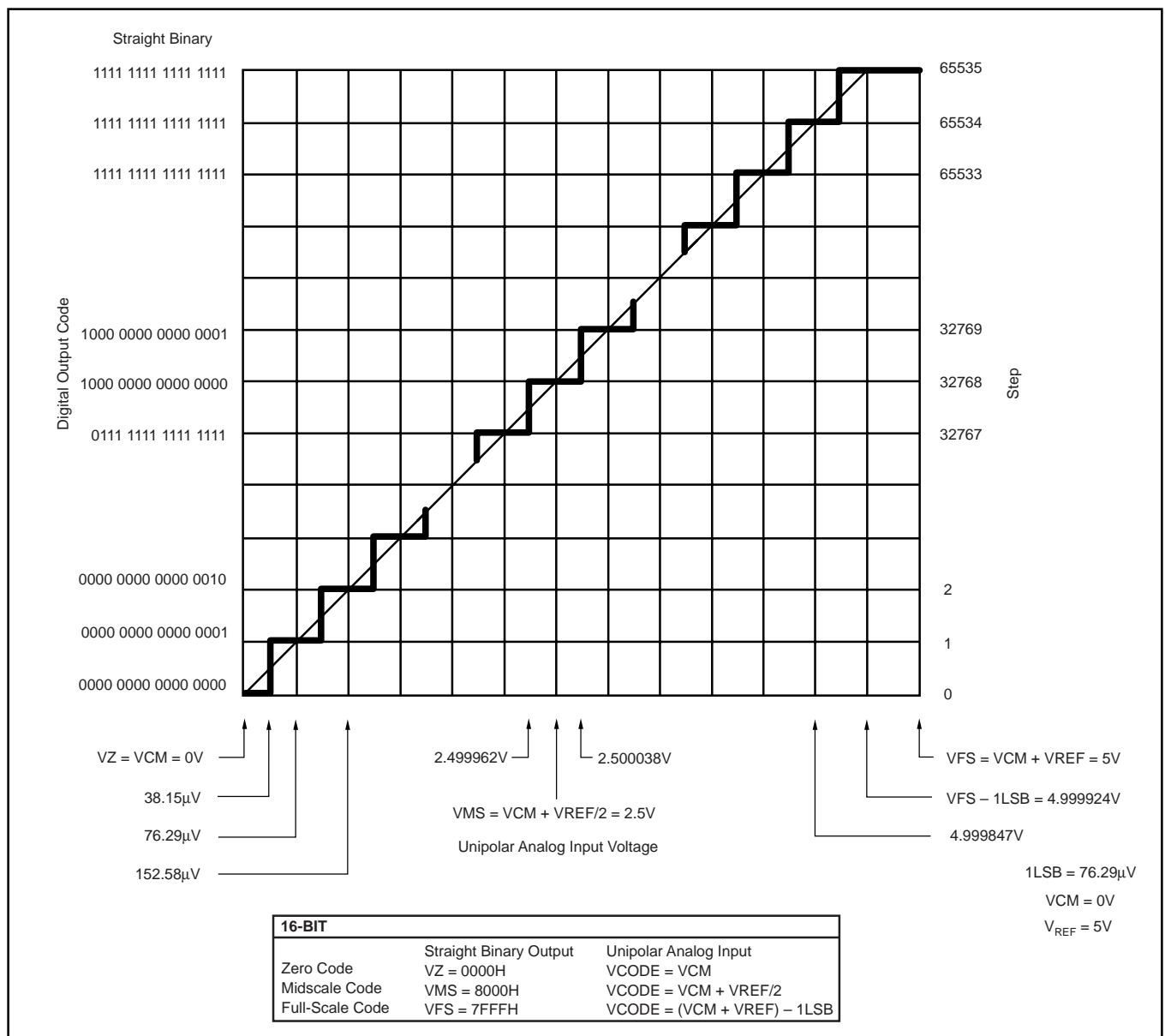


FIGURE 11. Ideal Conversion Characteristics (Condition:  $V_{CM} = 0V$ ,  $V_{REF} = 5V$ ).

## POWER DISSIPATION

The architecture of the converter, the semiconductor fabrication process, and a careful design, allow the ADS8325 to convert at up to a 100kHz rate while requiring very little power. However, for the absolute lowest power dissipation, there are several things to keep in mind.

The power dissipation of the ADS8325 scales directly with conversion rate. Therefore, the first step to achieving the lowest power dissipation is to find the lowest conversion rate that will satisfy the requirements of the system.

In addition, the ADS8325 is in power-down mode under two conditions: when the conversion is complete and whenever  $\overline{CS}$  is HIGH (see Timing Diagram). Ideally, each conversion should occur as quickly as possible, preferably at a 2.4MHz clock rate. This way, the converter spends the longest possible time in the power-down mode. This is very important as the converter not

only uses power on each DCLOCK transition (as is typical for digital CMOS components), but also uses some current for the analog circuitry, such as the comparator. The analog section dissipates power continuously until the power-down mode is entered.

See Figures 12 and 13 for the current consumption of the ADS8325 versus sample rate. For these graphs, the converter is clocked at 2.4MHz regardless of the sample rate.  $\overline{CS}$  is held HIGH during the remaining sample period.

There is an important distinction between the power-down mode that is entered after a conversion is complete and the full power-down mode that is enabled when  $\overline{CS}$  is HIGH.  $\overline{CS}$  LOW will shutdown only the analog section. The digital section is completely shutdown only when  $\overline{CS}$  is HIGH. Thus, if  $\overline{CS}$  is left LOW at the end of a conversion, and the converter is continually clocked, the power consumption will not be as low as when  $\overline{CS}$  is HIGH.

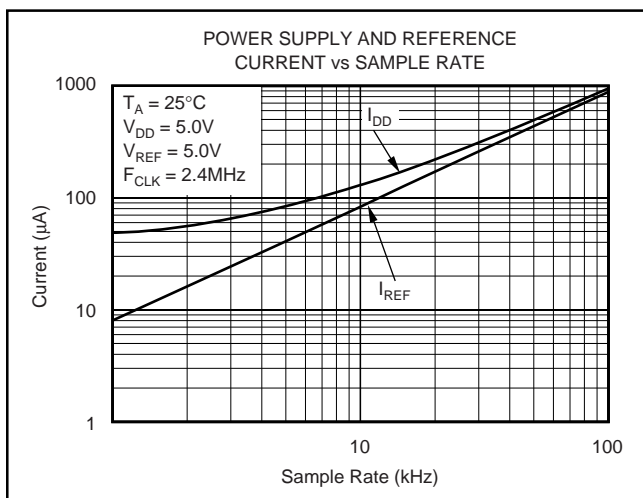


FIGURE 12. Power-Supply and Reference Current vs Sample Rate at  $V_{DD} = 5V$ .

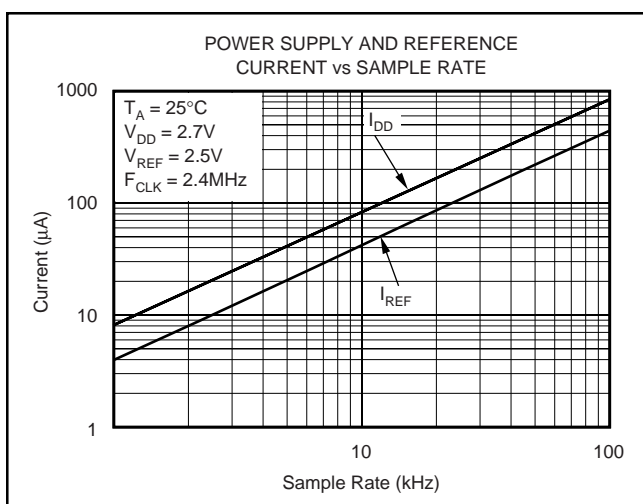


FIGURE 13. Power-Supply and Reference Current vs Sample Rate at  $V_{DD} = 2.7V$ .

## SHORT CYCLING

Another way to save power is to utilize the  $\overline{CS}$  signal to short cycle the conversion. Due to the ADS8325 placing the latest data bit on the  $D_{OUT}$  line as it is generated, the converter can easily be short cycled. This term means that the conversion can be terminated at any time. For example, if only 14 bits of the conversion result are needed, then the conversion can be terminated (by pulling  $\overline{CS}$  HIGH) after the 14th bit has been clocked out.

This technique can be used to lower the power dissipation (or to increase the conversion rate) in those applications where an analog signal is being monitored until some condition becomes true. For example, if the signal is outside a predetermined range, the full 16-bit conversion result may not be needed. If so, the conversion can be terminated after the first  $n$  bits, where  $n$  might be as low as 3 or 4. This results in lower power dissipation in both the converter and the rest of the system as they spend more time in power-down mode.

## LAYOUT

For optimum performance, care should be taken with the physical layout of the ADS8325 circuitry. This will be particularly true if the reference voltage is low and/or the conversion rate is high. At a 100kHz conversion rate, the ADS8325 makes a bit decision every 416ns. That is, for each subsequent bit decision, the digital output must be updated with the results of the last bit decision, the capacitor array appropriately switched and charged, and the input to the comparator settled to a 16-bit level all within one clock cycle.

The basic SAR architecture is sensitive to spikes on the power supply, reference, and ground connections that occur just prior to latching the comparator output. Thus, during any single conversion for an  $n$ -bit SAR converter, there are  $n$  "windows" in which large external transient voltages can easily affect the conversion result. Such spikes might originate from switching power supplies, digital logic, and high-power devices, to name a few. This particular source of error can be very difficult to track down if the glitch is almost synchronous to the converter's DCLOCK signal as the phase difference between the two changes with time and temperature, causing sporadic misoperation.

With this in mind, power to the ADS8325 should be clean and well bypassed. A 0.1 $\mu$ F ceramic bypass capacitor should be placed as close as possible to the ADS8325 package. In addition, a 1 $\mu$ F to 10 $\mu$ F capacitor and a 5 $\Omega$  or 10 $\Omega$  series resistor may be used to low-pass filter a noisy supply.

The reference should be similarly bypassed with a 47 $\mu$ F capacitor. Again, a series resistor and large capacitor can be used to low-pass filter the reference voltage. If the reference voltage originates from an op amp, make sure that the op amp can drive the bypass capacitor without oscillation (the series resistor can help in this case). Keep in mind that while the ADS8325 draws very little current from the reference on average, there are still instantaneous current demands placed on the external input and reference circuitry.

Texas Instrument's OPA627 op amp provides optimum performance for buffering both the signal and reference inputs. For low-cost, low-voltage, single-supply applications, the OPA2350 or OPA2340 dual op amps are recommended.

Also, keep in mind that the ADS8325 offers no inherent rejection of noise or voltage variation in regards to the reference input. This is of particular concern when the reference input is tied to the power supply. Any noise and ripple from the supply will appear directly in the digital results. While high-frequency noise can be filtered out as described in the previous paragraph, voltage variation due to the line frequency (50Hz or 60Hz) can be difficult to remove.

The GND pin on the ADS8325 should be placed on a clean ground point. In many cases, this will be the "analog" ground. Avoid connecting the GND pin too close to the grounding point for a microprocessor, microcontroller, or digital signal processor. If needed, run a ground trace directly from the converter to the power-supply connection point. The ideal layout will include an analog ground plane for the converter and associated analog circuitry.



# APPLICATION CIRCUITS

Figure 14 shows a basic data acquisition system. The ADS8325 input range is connected to 2.5V or 4.096V. The 5Ω resistor and 1μF to 10μF capacitor filters the microcontroller “noise” on the supply, as well as any high-frequency noise from the supply itself. The exact values should be picked such that the filter provides adequate rejection of noise. Operational amplifiers and voltage reference are connected to analog power supply, AV<sub>DD</sub>.

troller “noise” on the supply, as well as any high-frequency noise from the supply itself. The exact values should be picked such that the filter provides adequate rejection of noise. Operational amplifiers and voltage reference are connected to analog power supply, AV<sub>DD</sub>.

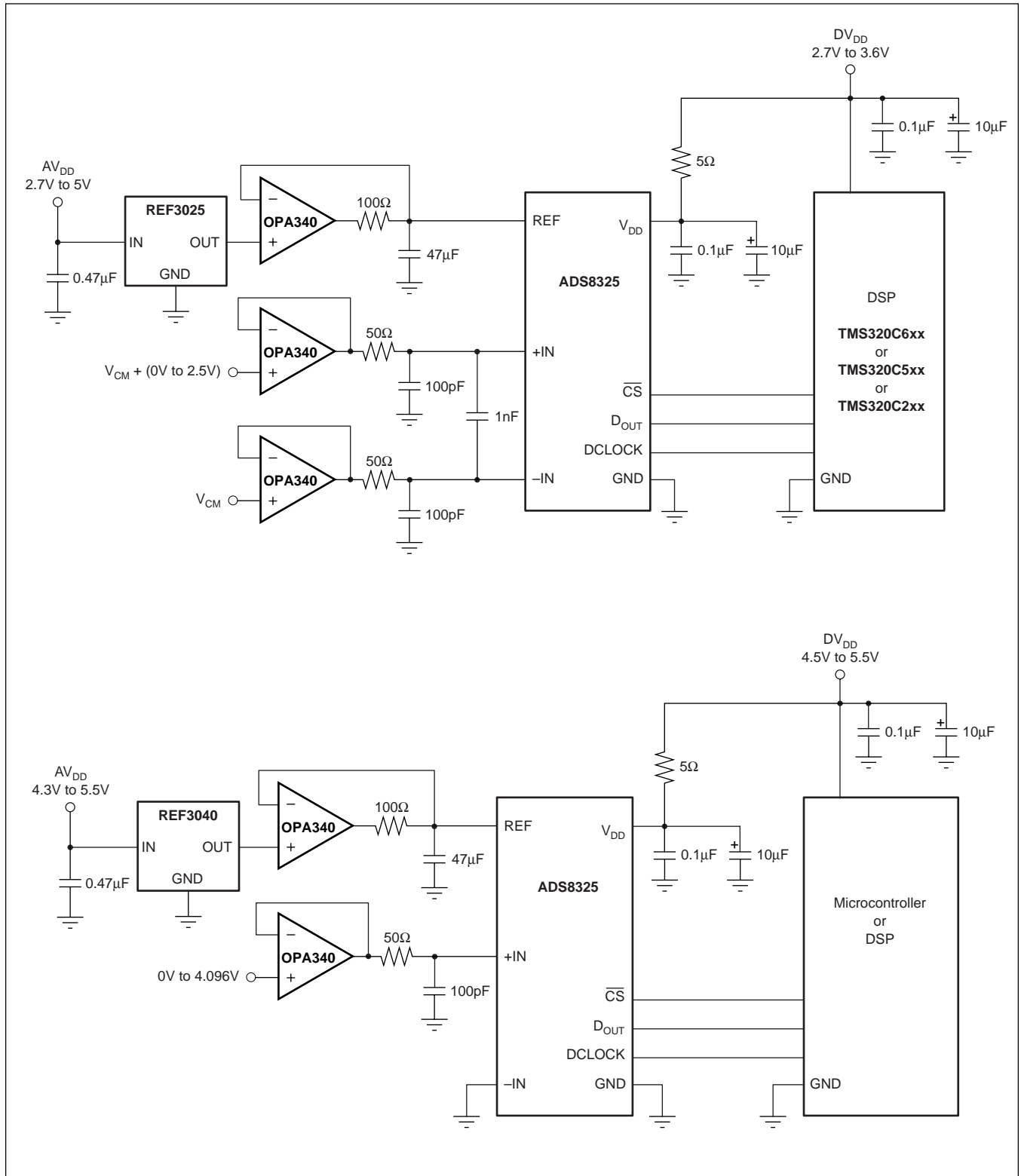
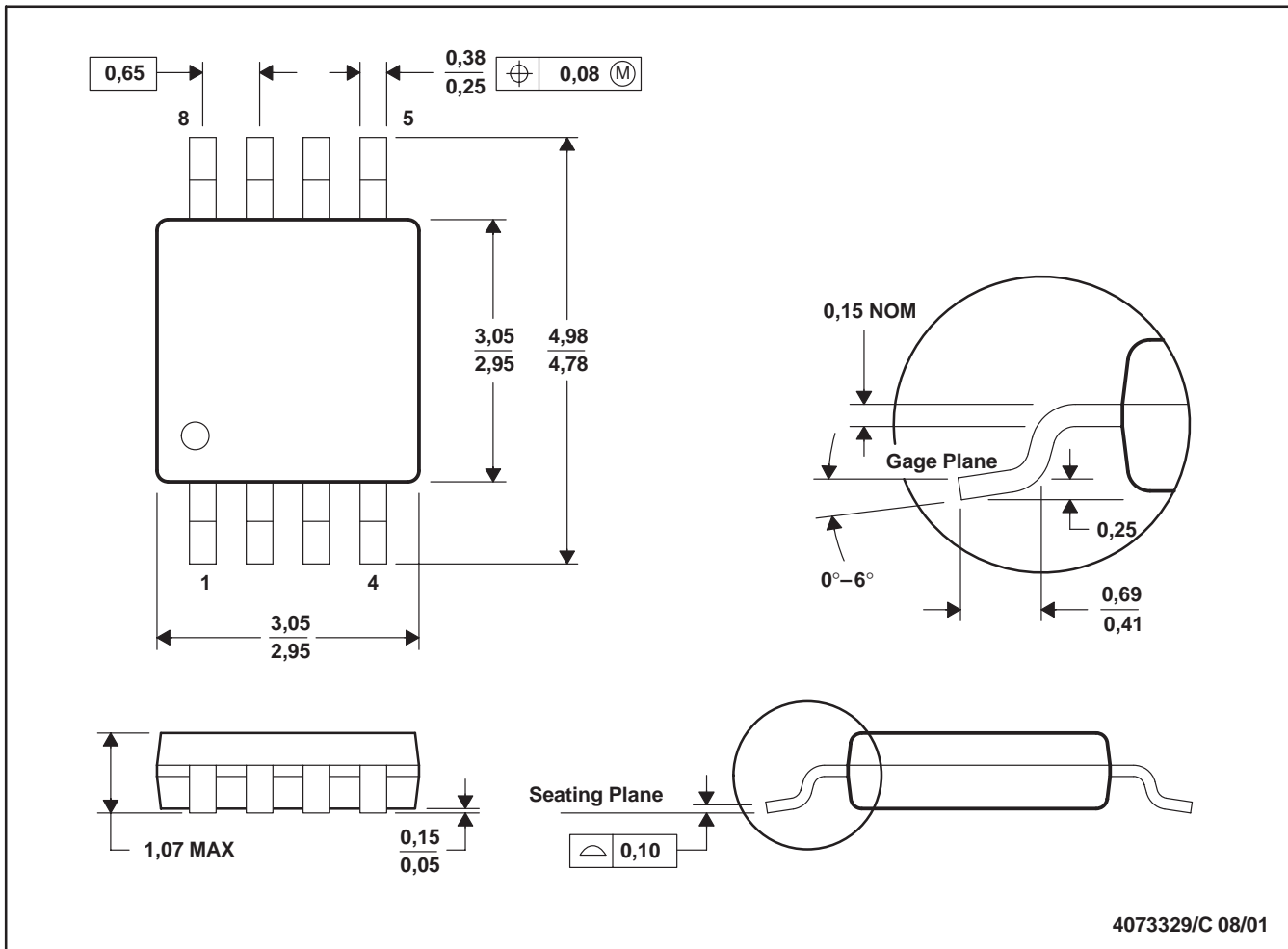
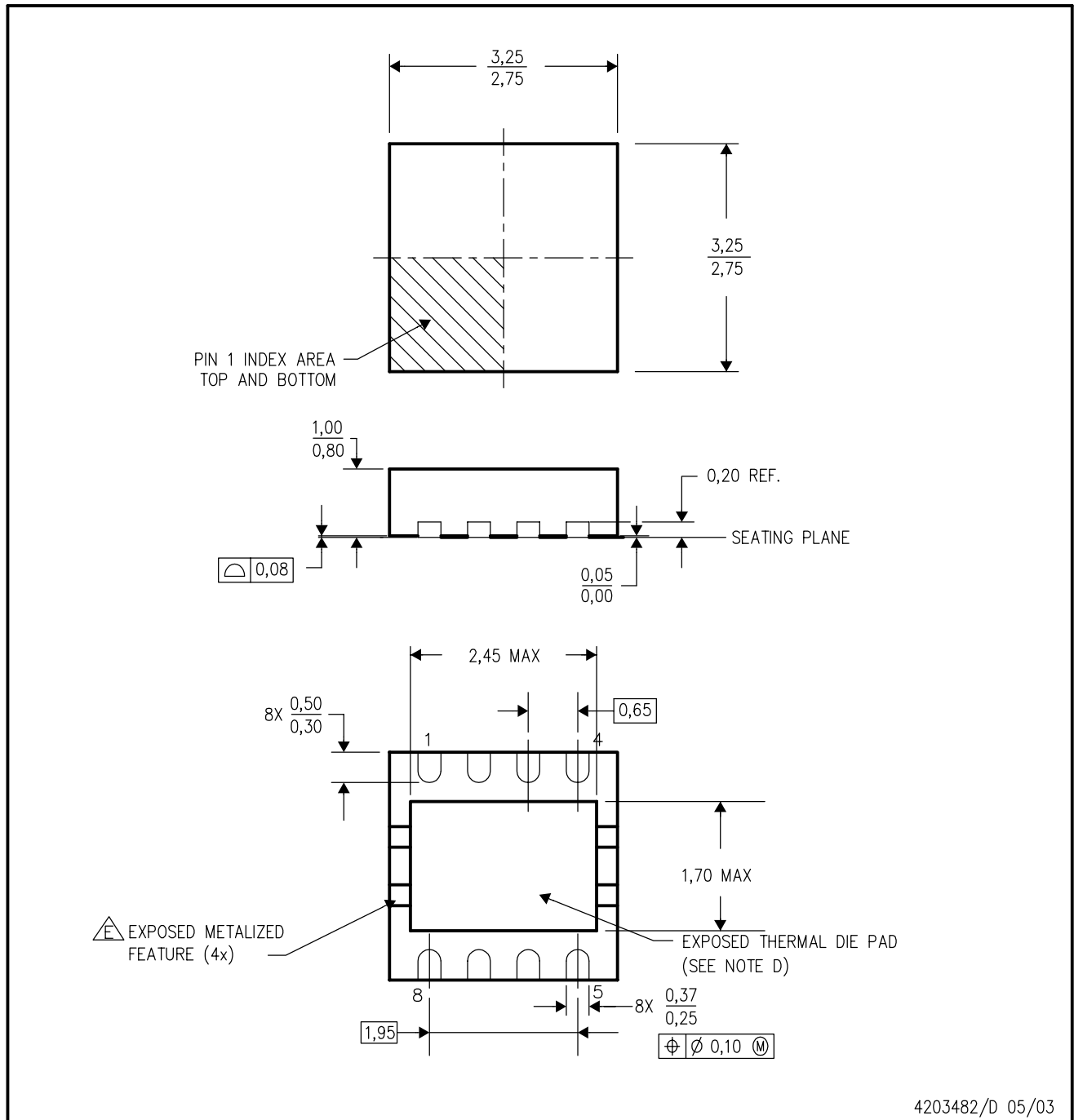


FIGURE 14. Two Examples of a Basic Data Acquisition System.



- NOTES:
- A. All linear dimensions are in millimeters.
  - B. This drawing is subject to change without notice.
  - C. Body dimensions do not include mold flash or protrusion.
  - D. Falls within JEDEC MO-187



4203482/D 05/03

- NOTES:
- A. All linear dimensions are in millimeters.
  - B. This drawing is subject to change without notice.
  - C. Small Outline No-Lead (SON) package configuration.
  - D. The package thermal performance may be enhanced by bonding the thermal die pad to an external thermal plane.
  - E. Metalized features are supplier options and may not be on the package.

**PACKAGING INFORMATION**

Orderable Device	Status <sup>(1)</sup>	Package Type	Package Drawing	Pins	Package Qty	Eco Plan <sup>(2)</sup>	Lead/Ball Finish	MSL Peak Temp <sup>(3)</sup>
ADS8325IBDGKR	ACTIVE	MSOP	DGK	8	2500	None	Call TI	Level-1-220C-UNLIM
ADS8325IBDGKT	ACTIVE	MSOP	DGK	8	250	None	Call TI	Level-1-220C-UNLIM
ADS8325IBDRBR	ACTIVE	SON	DRB	8	2500	None	CU SNPB	Level-1-240C-UNLIM
ADS8325IBDRBT	ACTIVE	SON	DRB	8	250	None	CU SNPB	Level-1-240C-UNLIM
ADS8325IDGKR	ACTIVE	MSOP	DGK	8	2500	None	Call TI	Level-1-220C-UNLIM
ADS8325IDGKT	ACTIVE	MSOP	DGK	8	250	None	Call TI	Level-1-220C-UNLIM
ADS8325IDRBR	ACTIVE	SON	DRB	8	2500	None	Call TI	Level-1-240C-UNLIM
ADS8325IDRBT	ACTIVE	SON	DRB	8	250	None	Call TI	Level-1-240C-UNLIM

<sup>(1)</sup> The marketing status values are defined as follows:

**ACTIVE:** Product device recommended for new designs.

**LIFEBUY:** TI has announced that the device will be discontinued, and a lifetime-buy period is in effect.

**NRND:** Not recommended for new designs. Device is in production to support existing customers, but TI does not recommend using this part in a new design.

**PREVIEW:** Device has been announced but is not in production. Samples may or may not be available.

**OBSOLETE:** TI has discontinued the production of the device.

<sup>(2)</sup> Eco Plan - May not be currently available - please check <http://www.ti.com/productcontent> for the latest availability information and additional product content details.

**None:** Not yet available Lead (Pb-Free).

**Pb-Free (RoHS):** TI's terms "Lead-Free" or "Pb-Free" mean semiconductor products that are compatible with the current RoHS requirements for all 6 substances, including the requirement that lead not exceed 0.1% by weight in homogeneous materials. Where designed to be soldered at high temperatures, TI Pb-Free products are suitable for use in specified lead-free processes.

**Green (RoHS & no Sb/Br):** TI defines "Green" to mean "Pb-Free" and in addition, uses package materials that do not contain halogens, including bromine (Br) or antimony (Sb) above 0.1% of total product weight.

<sup>(3)</sup> MSL, Peak Temp. -- The Moisture Sensitivity Level rating according to the JEDEC industry standard classifications, and peak solder temperature.

**Important Information and Disclaimer:** The information provided on this page represents TI's knowledge and belief as of the date that it is provided. TI bases its knowledge and belief on information provided by third parties, and makes no representation or warranty as to the accuracy of such information. Efforts are underway to better integrate information from third parties. TI has taken and continues to take reasonable steps to provide representative and accurate information but may not have conducted destructive testing or chemical analysis on incoming materials and chemicals. TI and TI suppliers consider certain information to be proprietary, and thus CAS numbers and other limited information may not be available for release.

In no event shall TI's liability arising out of such information exceed the total purchase price of the TI part(s) at issue in this document sold by TI to Customer on an annual basis.

## IMPORTANT NOTICE

Texas Instruments Incorporated and its subsidiaries (TI) reserve the right to make corrections, modifications, enhancements, improvements, and other changes to its products and services at any time and to discontinue any product or service without notice. Customers should obtain the latest relevant information before placing orders and should verify that such information is current and complete. All products are sold subject to TI's terms and conditions of sale supplied at the time of order acknowledgment.

TI warrants performance of its hardware products to the specifications applicable at the time of sale in accordance with TI's standard warranty. Testing and other quality control techniques are used to the extent TI deems necessary to support this warranty. Except where mandated by government requirements, testing of all parameters of each product is not necessarily performed.

TI assumes no liability for applications assistance or customer product design. Customers are responsible for their products and applications using TI components. To minimize the risks associated with customer products and applications, customers should provide adequate design and operating safeguards.

TI does not warrant or represent that any license, either express or implied, is granted under any TI patent right, copyright, mask work right, or other TI intellectual property right relating to any combination, machine, or process in which TI products or services are used. Information published by TI regarding third-party products or services does not constitute a license from TI to use such products or services or a warranty or endorsement thereof. Use of such information may require a license from a third party under the patents or other intellectual property of the third party, or a license from TI under the patents or other intellectual property of TI.

Reproduction of information in TI data books or data sheets is permissible only if reproduction is without alteration and is accompanied by all associated warranties, conditions, limitations, and notices. Reproduction of this information with alteration is an unfair and deceptive business practice. TI is not responsible or liable for such altered documentation.

Resale of TI products or services with statements different from or beyond the parameters stated by TI for that product or service voids all express and any implied warranties for the associated TI product or service and is an unfair and deceptive business practice. TI is not responsible or liable for any such statements.

Following are URLs where you can obtain information on other Texas Instruments products and application solutions:

<b>Products</b>		<b>Applications</b>	
Amplifiers	<a href="http://amplifier.ti.com">amplifier.ti.com</a>	Audio	<a href="http://www.ti.com/audio">www.ti.com/audio</a>
Data Converters	<a href="http://dataconverter.ti.com">dataconverter.ti.com</a>	Automotive	<a href="http://www.ti.com/automotive">www.ti.com/automotive</a>
DSP	<a href="http://dsp.ti.com">dsp.ti.com</a>	Broadband	<a href="http://www.ti.com/broadband">www.ti.com/broadband</a>
Interface	<a href="http://interface.ti.com">interface.ti.com</a>	Digital Control	<a href="http://www.ti.com/digitalcontrol">www.ti.com/digitalcontrol</a>
Logic	<a href="http://logic.ti.com">logic.ti.com</a>	Military	<a href="http://www.ti.com/military">www.ti.com/military</a>
Power Mgmt	<a href="http://power.ti.com">power.ti.com</a>	Optical Networking	<a href="http://www.ti.com/opticalnetwork">www.ti.com/opticalnetwork</a>
Microcontrollers	<a href="http://microcontroller.ti.com">microcontroller.ti.com</a>	Security	<a href="http://www.ti.com/security">www.ti.com/security</a>
		Telephony	<a href="http://www.ti.com/telephony">www.ti.com/telephony</a>
		Video & Imaging	<a href="http://www.ti.com/video">www.ti.com/video</a>
		Wireless	<a href="http://www.ti.com/wireless">www.ti.com/wireless</a>

Mailing Address: Texas Instruments  
Post Office Box 655303 Dallas, Texas 75265

Copyright © 2004, Texas Instruments Incorporated