



VND5E025BK-E

Double channel high-side driver with analog current sense for automotive applications

Features

| | | |
|-----------------------------------|------------|--------------------------|
| Max transient supply voltage | V_{CC} | 41 V |
| Operating voltage range | V_{CC} | 4.5 to 28 V |
| Max on-state resistance (per ch.) | R_{ON} | 25 m Ω |
| Current limitation (typ) | I_{LIMH} | 60 A |
| Off-state supply current | I_S | 2 μ A ⁽¹⁾ |

1. Typical value with all loads connected.

- General
 - Inrush current active management by power limitation
 - Very low standby current
 - 3.0V CMOS compatible inputs
- Diagnostic functions
 - High current sense precision for wide currents range
 - Current sense ratio drift for single point calibration
 - Current sense disable
 - Overload and short to ground (power limitation) indication
 - Thermal shutdown indication
- Protections
 - Undervoltage shutdown
 - Overvoltage clamp
 - Load current limitation
 - Self limiting of fast thermal transients
 - Protection against loss of ground and loss of V_{CC}
 - Overtemperature shutdown with auto restart (thermal shutdown)
 - Reverse battery protected
 - Electrostatic discharge protection

Applications

- Especially intended for blinkers



- All types of resistive, inductive and capacitive loads and suitable as LED driver

Description

The VND5E025BK-E is a double channel high-side driver manufactured in the ST proprietary VIPower™ M0-5 technology and housed in the tiny PowerSSO-24 package. The VND5E025BK-E is designed to drive 12V automotive grounded loads delivering protection, diagnostics and easy 3V and 5V CMOS compatible interface with any microcontroller.

The device integrates advanced protective functions such as load current limitation, inrush and overload active management by power limitation, overtemperature shut-off with auto restart and overvoltage active clamp.

A dedicated analog current sense pin is associated with every output channel in order to provide Enhanced diagnostic functions including fast detection of overload and short circuit to ground through power limitation indication and overtemperature indication.

An improved current sense circuitry and the introduction of a new current sense ratio drift, dK/K(tot), allow the "single-point" calibration and ensure a very high accuracy in case of "double-point" calibration.

The current sensing and diagnostic feedback of the whole device can be disabled by pulling the CS_DIS pin high to allow sharing of the external sense resistor with other similar devices.

Contents

| | | |
|----------|---|-----------|
| 1 | Block diagram and pin description | 5 |
| 2 | Electrical specification | 7 |
| 2.1 | Absolute maximum ratings | 7 |
| 2.2 | Thermal data | 8 |
| 2.3 | Electrical characteristics | 9 |
| 2.4 | Waveforms | 17 |
| 2.5 | Electrical characteristics curves | 19 |
| 3 | Application information | 22 |
| 3.1 | GND protection network against reverse battery | 22 |
| 3.1.1 | Solution 1: resistor in the ground line (RGND only) | 22 |
| 3.1.2 | Solution 2: diode (DGND) in the ground line | 23 |
| 3.2 | Load dump protection | 23 |
| 3.3 | MCU I/Os protection | 23 |
| 3.4 | Current sense and diagnostic | 24 |
| 3.5 | Maximum demagnetization energy (VCC = 13.5V) | 25 |
| 4 | Package and thermal data | 26 |
| 4.1 | PowerSSO-24 thermal data | 26 |
| 5 | Package and packing information | 29 |
| 5.1 | ECOPACK® | 29 |
| 5.2 | Package mechanical data | 29 |
| 5.3 | Packing information | 30 |
| 6 | Order codes | 32 |
| 7 | Revision history | 33 |

List of tables

| | | |
|-----------|---|----|
| Table 1. | Pin functions | 5 |
| Table 2. | Suggested connections for unused and not connected pins | 6 |
| Table 3. | Absolute maximum ratings | 7 |
| Table 4. | Thermal data | 8 |
| Table 5. | Power section | 9 |
| Table 6. | Switching ($V_{CC} = 13V$; $T_j = 25^{\circ}C$) | 9 |
| Table 7. | Logic inputs | 10 |
| Table 8. | Protections and diagnostics | 10 |
| Table 9. | Current sense ($8V < V_{CC} < 18V$) | 11 |
| Table 10. | Truth table | 15 |
| Table 11. | Electrical transient requirements (part 1/3) | 16 |
| Table 12. | Electrical transient requirements (part 2/3) | 16 |
| Table 13. | Electrical transient requirements (part 3/3) | 16 |
| Table 14. | Thermal parameters | 28 |
| Table 15. | PowerSSO-24 mechanical data | 30 |
| Table 16. | Device summary | 32 |
| Table 17. | Document revision history | 33 |

List of figures

| | | |
|------------|---|----|
| Figure 1. | Block diagram | 5 |
| Figure 2. | Configuration diagram (top view) | 6 |
| Figure 3. | Current and voltage conventions | 7 |
| Figure 4. | Current sense delay characteristics | 13 |
| Figure 5. | Switching characteristics | 13 |
| Figure 6. | Output voltage drop limitation | 13 |
| Figure 7. | Delay response time between rising edge of output current and rising edge of current sense (CS enabled) | 14 |
| Figure 8. | I_{OUT}/I_{SENSE} vs I_{OUT} | 14 |
| Figure 9. | Maximum current sense ratio drift vs load current | 15 |
| Figure 10. | Normal operation | 17 |
| Figure 11. | Overload or short to GND | 17 |
| Figure 12. | Intermittent overload | 18 |
| Figure 13. | T_J evolution in overload or short to GND | 18 |
| Figure 14. | Off-state output current | 19 |
| Figure 15. | High level input current | 19 |
| Figure 16. | Input clamp voltage | 19 |
| Figure 17. | Input high level | 19 |
| Figure 18. | Input low level | 19 |
| Figure 19. | Input hysteresis voltage | 19 |
| Figure 20. | On-state resistance vs T_{case} | 20 |
| Figure 21. | On-state resistance vs VCC | 20 |
| Figure 22. | Undervoltage shutdown | 20 |
| Figure 23. | I_{LIMH} vs T_{case} | 20 |
| Figure 24. | Turn-on voltage slope | 20 |
| Figure 25. | Turn-off voltage slope | 20 |
| Figure 26. | CS_DIS high level voltage | 21 |
| Figure 27. | CS_DIS low level voltage | 21 |
| Figure 28. | CS_DIS clamp voltage | 21 |
| Figure 29. | Application schematic | 22 |
| Figure 30. | Current sense and diagnostic | 24 |
| Figure 31. | Maximum turn-off current versus inductance (for each channel) | 25 |
| Figure 32. | PowerSSO-24 PC board | 26 |
| Figure 33. | $R_{thj-amb}$ vs PCB copper area in open box free air condition (one channel on) | 26 |
| Figure 34. | PowerSSO-24 thermal impedance junction to ambient single pulse (one channel on) | 27 |
| Figure 35. | Thermal fitting model of a double channel HSD in PowerSSO-24 | 27 |
| Figure 36. | PowerSSO-24 package dimensions | 29 |
| Figure 37. | PowerSSO-24 tube shipment (no suffix) | 30 |
| Figure 38. | PowerSSO-24 tape and reel shipment (suffix "TR") | 31 |

1 Block diagram and pin description

Figure 1. Block diagram

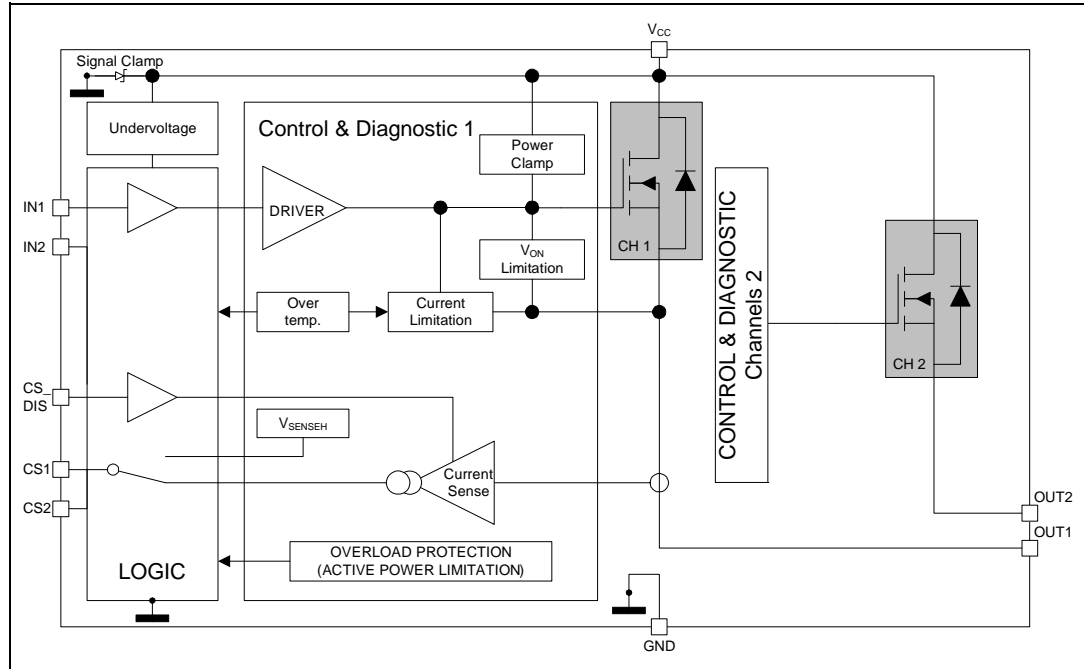


Table 1. Pin functions

| Name | Function |
|------------------------------|---|
| V _{CC} | Battery connection. |
| OUTPUT _{1,2} | Power output. |
| GND | Ground connection. Must be reverse battery protected by an external diode / resistor network. |
| INPUT _{1,2} | Voltage controlled input pin with hysteresis, CMOS compatible. Controls output switch state. |
| CURRENT SENSE _{1,2} | Analog current sense pin; delivers a current proportional to the load current. |
| CS_DIS | Active high CMOS compatible pin to disable the current sense pin. |

Figure 2. Configuration diagram (top view)

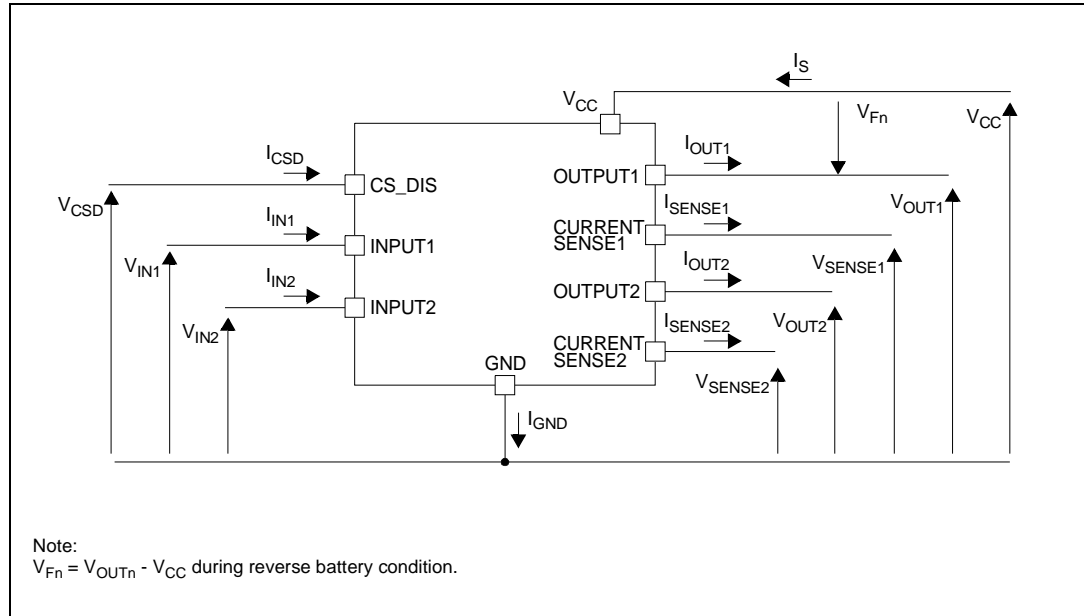


Table 2. Suggested connections for unused and not connected pins

| Connection / pin | Current sense | N.C. | Output | Input | CS_DIS |
|------------------|-----------------------|------|------------------------|------------------------|------------------------|
| Floating | Not allowed | X | X | X | X |
| To ground | Through 1 kΩ resistor | X | Through 22 kΩ resistor | Through 10 kΩ resistor | Through 10 kΩ resistor |

2 Electrical specification

Figure 3. Current and voltage conventions



2.1 Absolute maximum ratings

Stressing the device above the rating listed in the “Absolute maximum ratings” table may cause permanent damage to the device. These are stress ratings only and operation of the device at these or any other conditions above those indicated in the Operating sections of this specification is not implied. Exposure to the conditions in table below for extended periods may affect device reliability. Refer also to the STMicroelectronics SURE Program and other relevant quality document.

Table 3. Absolute maximum ratings

| Symbol | Parameter | Value | Unit |
|---------------|--|----------------------------|------|
| V_{CC} | DC supply voltage | 41 | V |
| $-V_{CC}$ | Reverse DC supply voltage | 0.3 | |
| $-I_{GND}$ | DC reverse ground pin current | 200 | mA |
| I_{OUT} | DC output current | Internally limited | A |
| $-I_{OUT}$ | Reverse DC output current | 24 | |
| I_{IN} | DC input current | -1 to 10 | mA |
| I_{CSD} | DC current sense disable input current | | |
| $-I_{CSENSE}$ | DC reverse CS pin current | 200 | |
| V_{CSENSE} | Current sense maximum voltage | $V_{CC} - 41$ to $+V_{CC}$ | V |

Table 3. Absolute maximum ratings (continued)

| Symbol | Parameter | Value | Unit |
|-----------|--|-------------|------------------|
| E_{MAX} | Maximum switching energy (single pulse) ($L = 0.8 \text{ mH}$; $R_L = 0 \text{ }\Omega$; $V_{bat} = 13.5 \text{ V}$; $T_{jstart} = 150 \text{ }^\circ\text{C}$; $I_{OUT} = I_{limL}(\text{Typ.})$) | 140 | mJ |
| V_{ESD} | Electrostatic discharge (Human Body Model: $R = 1.5 \text{ k}\Omega$; $C = 100 \text{ pF}$) | | |
| | – Input | 4000 | V |
| | – Current sense | 2000 | V |
| | – CS_DIS | 4000 | V |
| | – Output | 5000 | V |
| | – V_{CC} | 5000 | V |
| V_{ESD} | Charge device model (CDM-AEC-Q100-011) | 750 | V |
| T_j | Junction operating temperature | - 40 to 150 | $^\circ\text{C}$ |
| T_{stg} | Storage temperature | - 55 to 150 | |

2.2 Thermal data

Table 4. Thermal data

| Symbol | Parameter | Max. value | Unit |
|----------------|--|-------------------------------|---------------------------|
| $R_{thj-case}$ | Thermal resistance junction-case (with one channel on) | 1.35 | $^\circ\text{C}/\text{W}$ |
| $R_{thj-amb}$ | Thermal resistance junction-ambient | See Figure 33 | |

2.3 Electrical characteristics

Values specified in this section are for $8V < V_{CC} < 28V$; $-40^{\circ}C < T_j < 150^{\circ}C$, unless otherwise stated.

Table 5. Power section

| Symbol | Parameter | Test conditions | Min. | Typ. | Max. | Unit |
|---------------|--|---|------|------------------|------------------|------------|
| V_{CC} | Operating supply voltage | | 4.5 | 13 | 28 | V |
| V_{USD} | Undervoltage shutdown | | | 3.5 | 4.5 | |
| $V_{USDhyst}$ | Undervoltage shutdown hysteresis | | | 0.5 | | |
| R_{ON} | On-state resistance ⁽¹⁾ | $I_{OUT} = 3A$; $T_j = 25^{\circ}C$ | | | 25 | m Ω |
| | | $I_{OUT} = 3A$; $T_j = 150^{\circ}C$ | | | 50 | |
| | | $I_{OUT} = 3A$; $V_{CC} = 5V$; $T_j = 25^{\circ}C$ | | | 35 | |
| V_{clamp} | Clamp voltage | $I_S = 20$ mA | 41 | 46 | 52 | V |
| I_S | Supply current | Off-state; $V_{CC} = 13V$; $T_j = 25^{\circ}C$; $V_{IN} = V_{OUT} = V_{SENSE} = V_{CSD} = 0V$ | | 2 ⁽²⁾ | 5 ⁽²⁾ | μA |
| | | Off-state; $V_{CC} = 13V$; $T_j = 125^{\circ}C$; $V_{IN} = V_{OUT} = V_{SENSE} = V_{CSD} = 0V$ | | | 9 | μA |
| | | On-state; $V_{CC} = 13V$; $V_{IN} = 5V$; $I_{OUT} = 0A$ | | 3 | 6 | mA |
| $I_{L(off1)}$ | Off-state output current ⁽¹⁾ | $V_{IN} = V_{OUT} = 0V$; $V_{CC} = 13V$; $T_j = 25^{\circ}C$ | 0 | 0.01 | 3 | μA |
| | | $V_{IN} = V_{OUT} = 0V$; $V_{CC} = 13V$; $T_j = 125^{\circ}C$ | 0 | | 5 | |
| V_F | Output - V_{CC} diode voltage ⁽¹⁾ | $-I_{OUT} = 4$ A; $T_j = 150^{\circ}C$ | | | 0.7 | V |

1. For each channel.

2. PowerMOS leakage included.

Table 6. Switching ($V_{CC} = 13V$; $T_j = 25^{\circ}C$)

| Symbol | Parameter | Test conditions | Min. | Typ. | Max. | Unit |
|-----------------------|---|---|------|-------------------------------|------|------------|
| $t_{d(on)}$ | Turn-on delay time | $R_L = 4.3 \Omega$ | - | 20 | - | μs |
| $t_{d(off)}$ | Turn-off delay time | (see Figure 5) | - | 30 | - | |
| $(dV_{OUT}/dt)_{on}$ | Turn-on voltage slope | $R_L = 4.3 \Omega$ | - | See Figure 24 | - | V/ μs |
| $(dV_{OUT}/dt)_{off}$ | Turn-off voltage slope | | - | See Figure 25 | - | |
| W_{ON} | Switching energy losses during t_{WON} | $R_L = 4.3 \Omega$ (see Figure 5) | - | 0.6 | - | mJ |
| W_{OFF} | Switching energy losses during t_{WOFF} | | - | 0.35 | - | |

Table 7. Logic inputs

| Symbol | Parameter | Test conditions | Min. | Typ. | Max. | Unit |
|-----------------|---------------------------|------------------|------|------|------|---------|
| V_{IL} | Input low level voltage | | | | 0.9 | V |
| I_{IL} | Low level input current | $V_{IN} = 0.9V$ | 1 | | | μA |
| V_{IH} | Input high level voltage | | 2.1 | | | V |
| I_{IH} | High level input current | $V_{IN} = 2.1V$ | | | 10 | μA |
| $V_{I(hyst)}$ | Input hysteresis voltage | | 0.25 | | | V |
| V_{ICL} | Input clamp voltage | $I_{IN} = 1mA$ | 5.5 | | 7 | |
| | | $I_{IN} = -1mA$ | | -0.7 | | |
| V_{CSDL} | CS_DIS low level voltage | | | | 0.9 | μA |
| I_{CSDL} | Low level CS_DIS current | $V_{CSD} = 0.9V$ | 1 | | | |
| V_{CSDH} | CS_DIS high level voltage | | 2.1 | | | V |
| I_{CSDH} | High level CS_DIS current | $V_{CSD} = 2.1V$ | | | 10 | μA |
| $V_{CSD(hyst)}$ | CS_DIS hysteresis voltage | | 0.25 | | | V |
| V_{CSCL} | CS_DIS clamp voltage | $I_{CSD} = 1mA$ | 5.5 | | 7 | |
| | | $I_{CSD} = -1mA$ | | -0.7 | | |

Table 8. Protections and diagnostics (1)

| Symbol | Parameter | Test conditions | Min. | Typ. | Max. | Unit |
|-------------|--|--|---------------|---------------|---------------|------|
| I_{LIMH} | DC short circuit current | $V_{CC} = 13V$ | 43 | 60 | 85 | A |
| | | $5V < V_{CC} < 28V$ | | | | |
| I_{LIML} | Short circuit current during thermal cycling | $V_{CC} = 13V$; $T_R < T_j < T_{TSD}$ | | 15 | | |
| T_{TSD} | Shutdown temperature | | 150 | 175 | 200 | °C |
| T_R | Reset temperature | | $T_{RS} + 1$ | $T_{RS} + 5$ | | |
| T_{RS} | Thermal reset of STATUS | | 135 | | | |
| T_{HYST} | Thermal hysteresis ($T_{TSD} - T_R$) | | | 7 | | |
| V_{DEMAG} | Turn-Off output voltage clamp | $I_{OUT} = 2A$; $V_{IN} = 0$; $L = 6\text{ mH}$ | $V_{CC} - 41$ | $V_{CC} - 46$ | $V_{CC} - 52$ | V |
| V_{ON} | Output voltage drop limitation | $I_{OUT} = 0.1A$; $T_j = -40^\circ C$ to $+150^\circ C$ (see Figure 6) | | 25 | | mV |

1. To ensure long term reliability under heavy overload or short circuit conditions, protection and related diagnostic signals must be used together with a proper software strategy. If the device is subjected to abnormal conditions, this software must limit the duration and number of activation cycles.

Table 9. Current sense (8V < V_{CC} < 18V)

| Symbol | Parameter | Test conditions | Min. | Typ. | Max. | Unit |
|---|--|--|------|------|------|------|
| K _{LED} | I _{OUT} /I _{SENSE} | I _{OUT} = 0.05A; V _{SENSE} = 0.5V; V _{CSD} = 0V; T _j = -40°C to 150°C | 1922 | 5046 | 9218 | |
| K ₁ | I _{OUT} /I _{SENSE} | I _{OUT} = 1.5 A; V _{SENSE} = 4 V; V _{CSD} = 0V; T _j = -40°C to 150°C | 2460 | 3363 | 4050 | |
| dK ₁ /K ₁ ⁽¹⁾⁽²⁾ | Current sense ratio drift | I _{OUT} = 1.5 A; V _{SENSE} = 4 V; V _{CSD} = 0V; T _j = -40°C to 150°C | -9 | | 9 | % |
| K ₂ | I _{OUT} /I _{SENSE} | I _{OUT} = 2 A; V _{SENSE} = 4V; V _{CSD} = 0V; T _j = -40°C to 150°C | 2550 | 3405 | 4108 | |
| dK ₂ /K ₂ ⁽¹⁾⁽²⁾ | Current sense ratio drift | I _{OUT} = 2 A; V _{SENSE} = 4V; V _{CSD} = 0V; T _j = -40°C to 150°C | -7 | | 7 | % |
| K ₃ | I _{OUT} /I _{SENSE} | I _{OUT} = 2.4 A; V _{SENSE} = 4V; V _{CSD} = 0V; T _j = -40°C to 150°C | 2635 | 3384 | 4117 | |
| dK ₃ /K ₃ ⁽¹⁾⁽²⁾ | Current sense ratio drift | I _{OUT} = 2.4 A; V _{SENSE} = 4V; V _{CSD} = 0V; T _j = -40°C to 150°C | -6 | | +6 | % |
| K ₄ | I _{OUT} /I _{SENSE} | I _{OUT} = 3 A; V _{SENSE} = 4V; V _{CSD} = 0V; T _j = -40°C to 150°C | 2752 | 3368 | 3975 | |
| dK ₄ /K ₄ ⁽¹⁾⁽²⁾ | Current sense ratio drift | I _{OUT} = 3 A; V _{SENSE} = 4V; V _{CSD} = 0V; T _j = -40°C to 150°C | -5 | | 5 | % |
| K ₅ | I _{OUT} /I _{SENSE} | I _{OUT} = 4 A; V _{SENSE} = 4V; V _{CSD} = 0V; T _j = -40°C to 150°C | 2860 | 3341 | 3805 | |
| dK ₅ /K ₅ ⁽¹⁾⁽²⁾ | Current sense ratio drift | I _{OUT} = 4 A; V _{SENSE} = 4V; V _{CSD} = 0V; T _j = -40°C to 150°C | -4 | | 4 | % |
| K ₆ | I _{OUT} /I _{SENSE} | I _{OUT} = 10 A; V _{SENSE} = 4V; V _{CSD} = 0V; T _j = -40°C to 150°C | 2965 | 3307 | 3570 | |
| dK ₆ /K ₆ ⁽¹⁾⁽²⁾ | Current sense ratio drift | I _{OUT} = 10 A; V _{SENSE} = 4V; V _{CSD} = 0V; T _j = -40°C to 150°C | -3 | | 3 | % |
| dK/K _(tot) ⁽¹⁾⁽³⁾ | Current sense ratio drift for single point calibration | Measurement point: I _{OUT} = 2.4 A; T _j = 25°C; V _{CC} = 13.5V | | | | |
| | | I _{OUT} = 1.5 A | -9.5 | | 9.5 | % |
| | | I _{OUT} = 2.0 A | -7 | | 7 | % |
| | | I _{OUT} = 2.4 A | -6 | | 6 | % |
| | | I _{OUT} = 3.0 A | -7 | | 7 | % |
| | I _{OUT} = 4.0 A | -8 | | 8 | % | |

Table 9. Current sense (8V < V_{CC} < 18V) (continued)

| Symbol | Parameter | Test conditions | Min. | Typ. | Max. | Unit |
|------------------------|--|--|------|------|------|------|
| I _{SENSE0} | Analog sense leakage current | I _{OUT} = 0A; V _{SENSE} = 0V; V _{CSD} = 5V; V _{IN} = 0V; T _j = -40°C to 150°C | 0 | | 1 | μA |
| | | V _{CSD} = 0V; V _{IN} = 5V; T _j = -40°C to 150°C | 0 | | 2 | μA |
| | | I _{OUT} = 2A; V _{SENSE} = 0V; V _{CSD} = 5V; V _{IN} = 5V; T _j = -40°C to 150°C | 0 | | 1 | μA |
| I _{OL} | Openload on-state current detection threshold | V _{IN} = 5V, 8V < V _{CC} < 18V I _{SENSE} = 5 μA | 5 | | 70 | mA |
| V _{SENSE} | Max analog sense output voltage | I _{OUT} = 3 A; V _{CSD} = 0V | 5 | | | V |
| V _{SENSEH} | Analog sense output voltage in fault condition ⁽⁴⁾ | V _{CC} = 13V; R _{SENSE} = 3.9kΩ | | 8 | | |
| I _{SENSEH} | Analog sense output current in fault condition ⁽²⁾ | V _{CC} = 13V; V _{SENSE} = 5V | 6 | 9 | 12 | mA |
| t _{DSENSE1H} | Delay response time from falling edge of CS_DIS pin | V _{SENSE} < 4V, 0.5 < I _{OUT} < 10A I _{SENSE} = 90% of I _{SENSEMAX} (see Figure 4) | | 30 | 100 | μs |
| t _{DSENSE1L} | Delay response time from rising edge of CS_DIS pin | V _{SENSE} < 4V, 0.5 < I _{OUT} < 10A I _{SENSE} = 10% of I _{SENSEMAX} (see Figure 4) | | 5 | 20 | |
| t _{DSENSE2H} | Delay response time from rising edge of INPUT pin | V _{SENSE} < 4V, 0.5 < I _{OUT} < 10A I _{SENSE} = 90% of I _{SENSEMAX} (see Figure 4) | | 80 | 300 | |
| Δt _{DSENSE2H} | Delay response time between rising edge of output current and rising edge of current sense | V _{SENSE} < 4V, I _{SENSE} = 90% of I _{SENSEMAX} , I _{OUT} = 90% of I _{OUTMAX} , I _{OUTMAX} = 3A (see Figure 7) | | | 110 | |
| t _{DSENSE2L} | Delay response time from falling edge of INPUT pin | V _{SENSE} < 4V, 0.5 < I _{OUT} < 10A I _{SENSE} = 10% of I _{SENSEMAX} (see Figure 4) | | 5 | 20 | |

- Parameter guaranteed by design; it is not tested.
- Analog sense current drift (dK/K) is deviation of factor K for a given device over (-40 °C to 150 °C, V_{batt}: 8 V...16 V) with respect to its value measured at T_j = 25 °C, V_{CC} = 13 V.
- Total current drift over -40 °C to 150 °C, V_{batt}: 8 V...16 V and output current variation, respect to a calibration point measured at T_j = 25 °C and V_{CC} = 13.5 V.
- Fault condition includes: power limitation and overtemperature.

Figure 4. Current sense delay characteristics

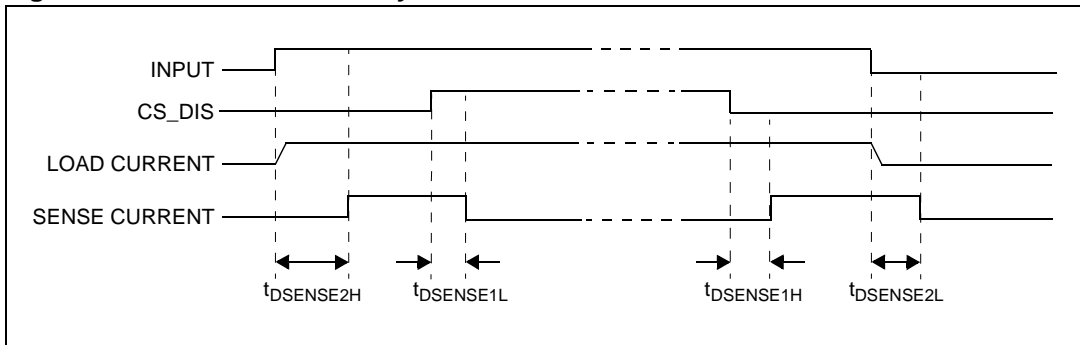


Figure 5. Switching characteristics

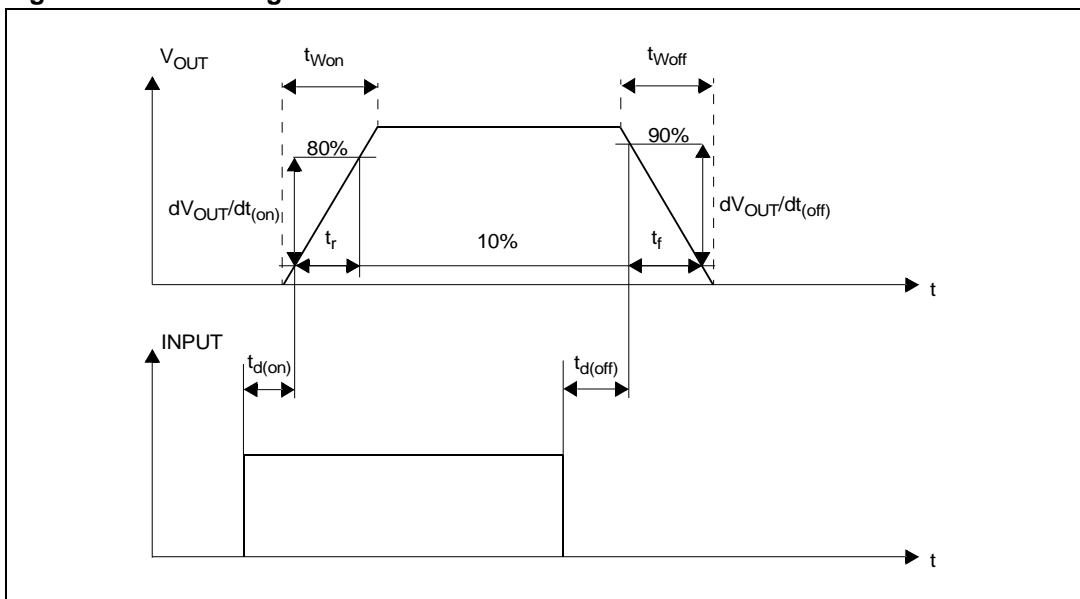


Figure 6. Output voltage drop limitation

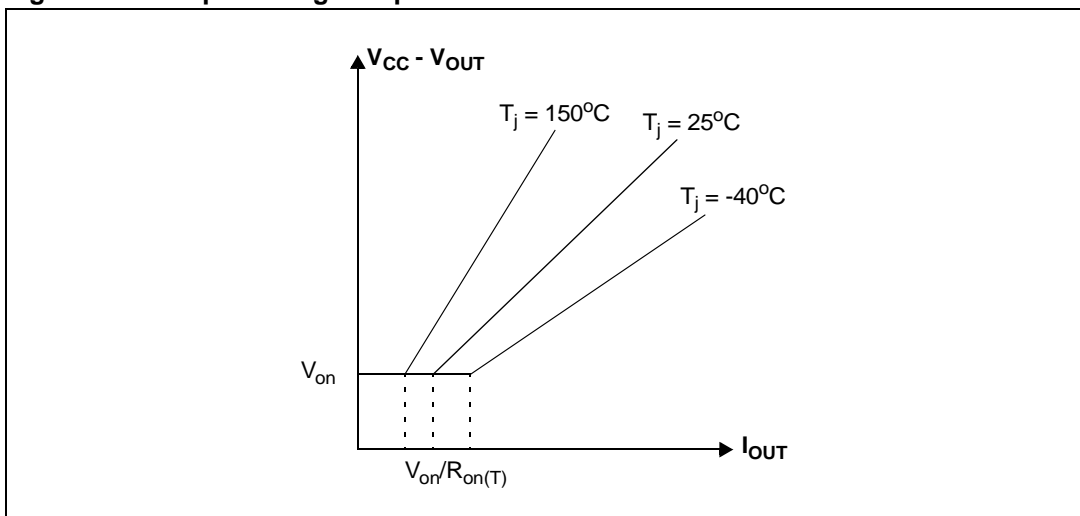


Figure 7. Delay response time between rising edge of output current and rising edge of current sense (CS enabled)

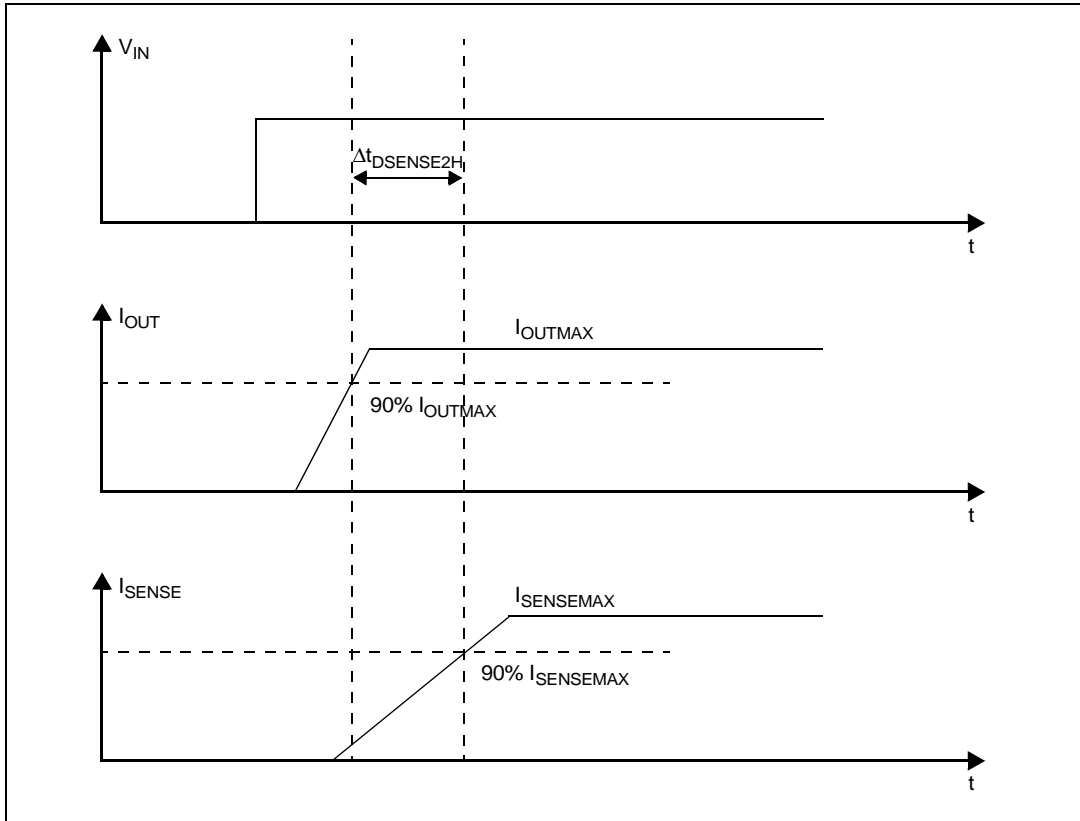


Figure 8. I_{OUT}/I_{SENSE} vs I_{OUT}

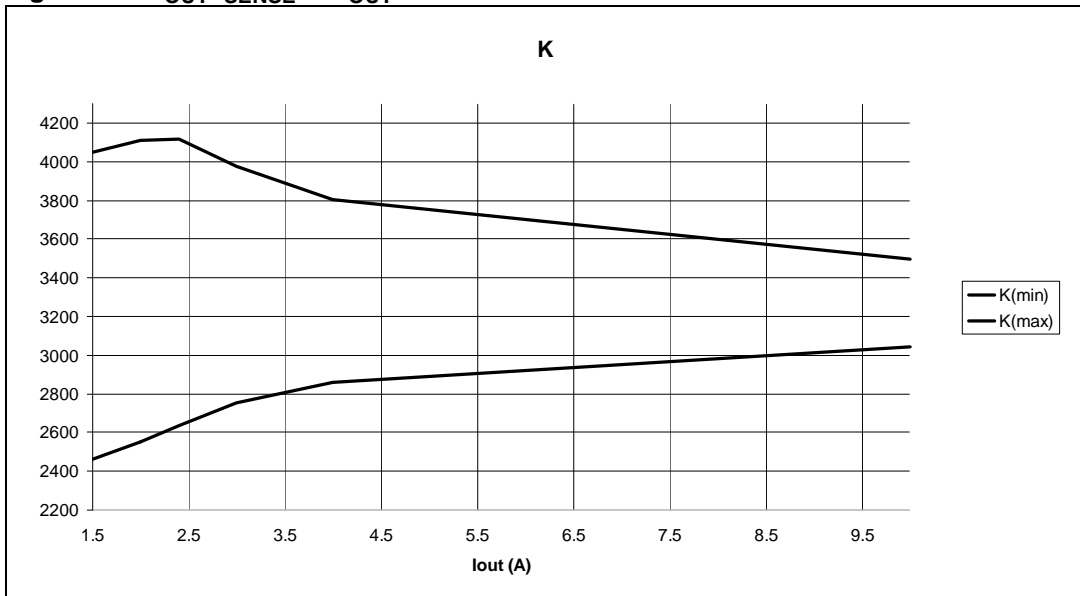


Figure 9. Maximum current sense ratio drift vs load current

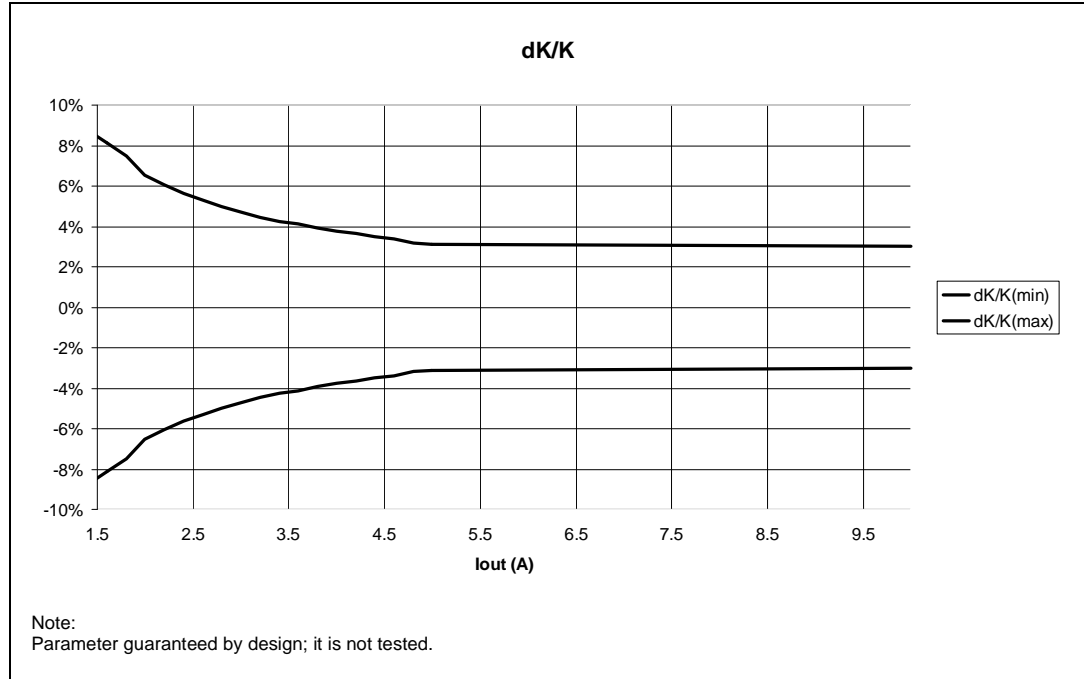


Table 10. Truth table

| Conditions | Input | Output | Sense (V _{CSD} =0V) ⁽¹⁾ |
|--|-------|-------------------------------|---|
| Normal operation | L | L | 0 |
| | H | H | Nominal |
| Overtemperature | L | L | 0 |
| | H | L | V _{SENSEH} |
| Undervoltage | L | L | 0 |
| | H | L | 0 |
| Overload | H | X (no power limitation) | Nominal |
| | H | Cycling (power limitation) | V _{SENSEH} |
| Short circuit to GND (Power limitation) | L | L | 0 |
| | H | L | V _{SENSEH} |
| Negative output voltage clamp | L | L | 0 |

1. If the V_{CSD} is high, the SENSE output is at a high impedance, its potential depends on leakage currents and external circuit.

Table 11. Electrical transient requirements (part 1/3)

| ISO 7637-2: 2004(E) Test pulse | Test levels ⁽¹⁾ | | Number of pulses or test times | Burst cycle / pulse repetition time | | Delays and Impedance |
|--------------------------------------|----------------------------|-------|--------------------------------------|--|-------|-------------------------|
| | III | IV | | Min. | Max. | |
| 1 | -75V | -100V | 5000 pulses | 0.5s | 5s | 2 ms, 10Ω |
| 2a | +37V | +50V | 5000 pulses | 0.2s | 5s | 50μs, 2Ω |
| 3a | -100V | -150V | 1h | 90ms | 100ms | 0.1μs, 50Ω |
| 3b | +75V | +100V | 1h | 90ms | 100ms | 0.1μs, 50Ω |
| 4 | -6V | -7V | 1 pulse | | | 100ms, 0.01Ω |
| 5b ⁽²⁾ | +65V | +87V | 1 pulse | | | 400ms, 2Ω |

1. The above test levels must be considered referred to $V_{CC} = 13.5V$ except for pulse 5b.
2. Valid in case of external load dump clamp: 40V maximum referred to ground.

Table 12. Electrical transient requirements (part 2/3)

| ISO 7637-2: 2004E Test pulse | Test level results | |
|------------------------------------|--------------------|----|
| | III | VI |
| 1 | C | C |
| 2a | C | C |
| 3a | C | C |
| 3b | C | C |
| 4 | C | C |
| 5b ⁽¹⁾ | C | C |

1. Valid in case of external load dump clamp: 40V maximum referred to ground.

Table 13. Electrical transient requirements (part 3/3)

| Class | Contents |
|-------|---|
| C | All functions of the device performed as designed after exposure to disturbance. |
| E | One or more functions of the device did not perform as designed after exposure to disturbance and cannot be returned to proper operation without replacing the device. |

2.4 Waveforms

Figure 10. Normal operation

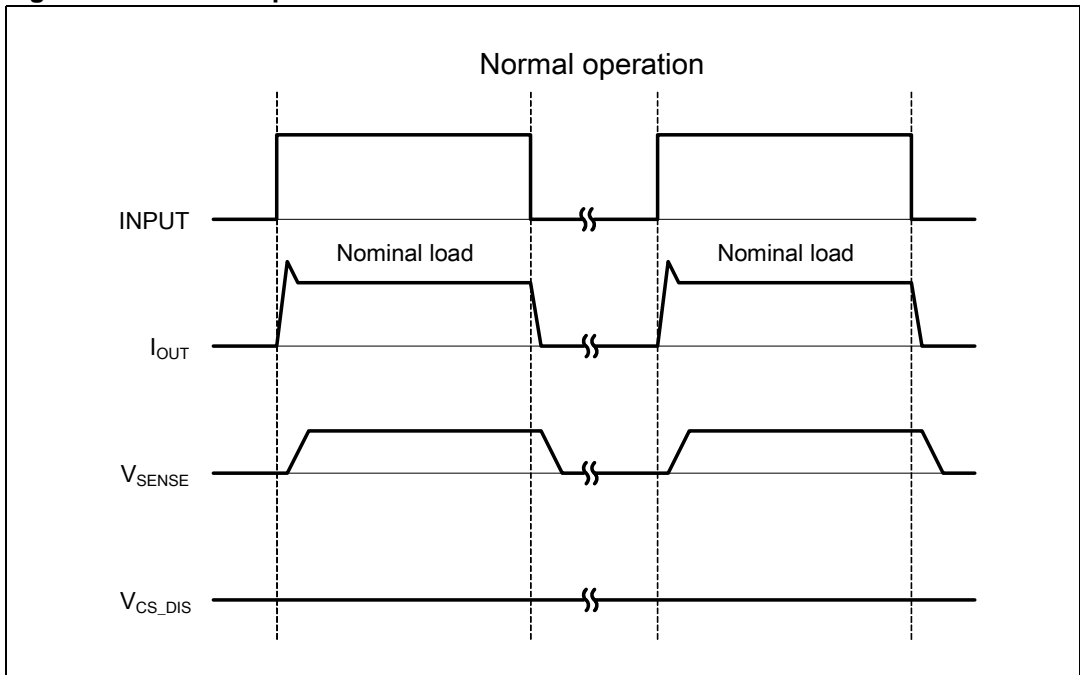


Figure 11. Overload or short to GND

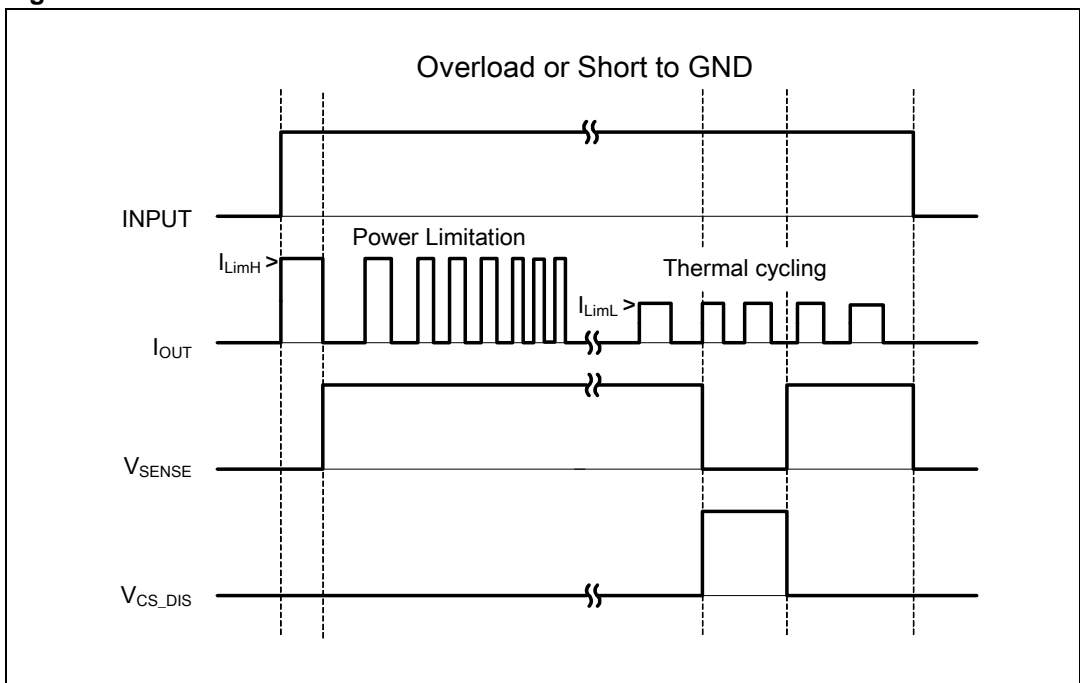


Figure 12. Intermittent overload

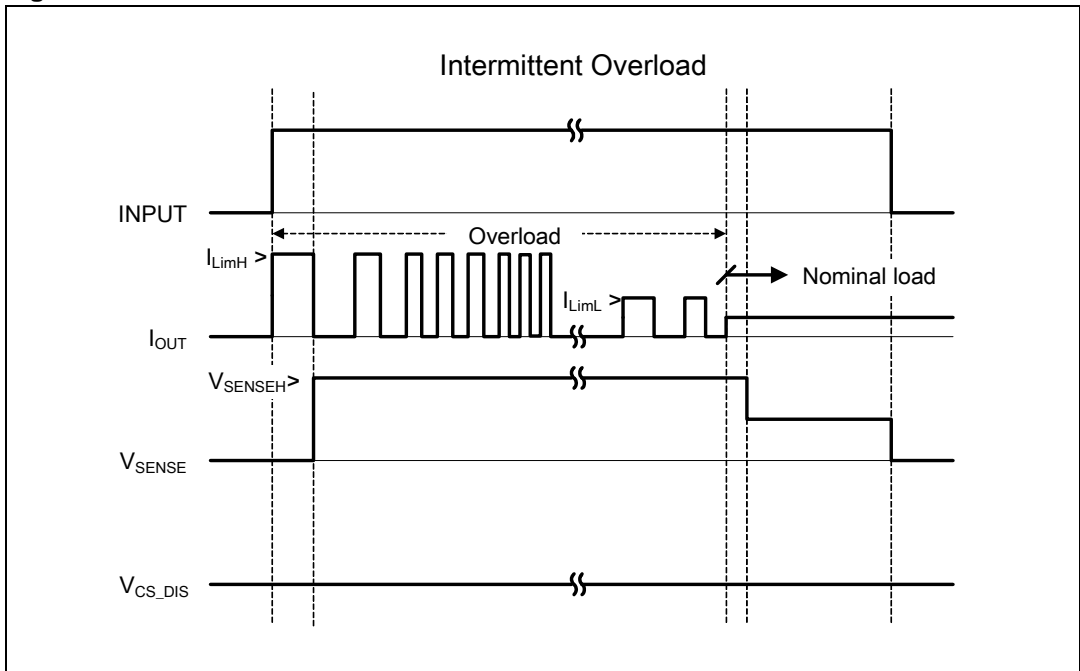
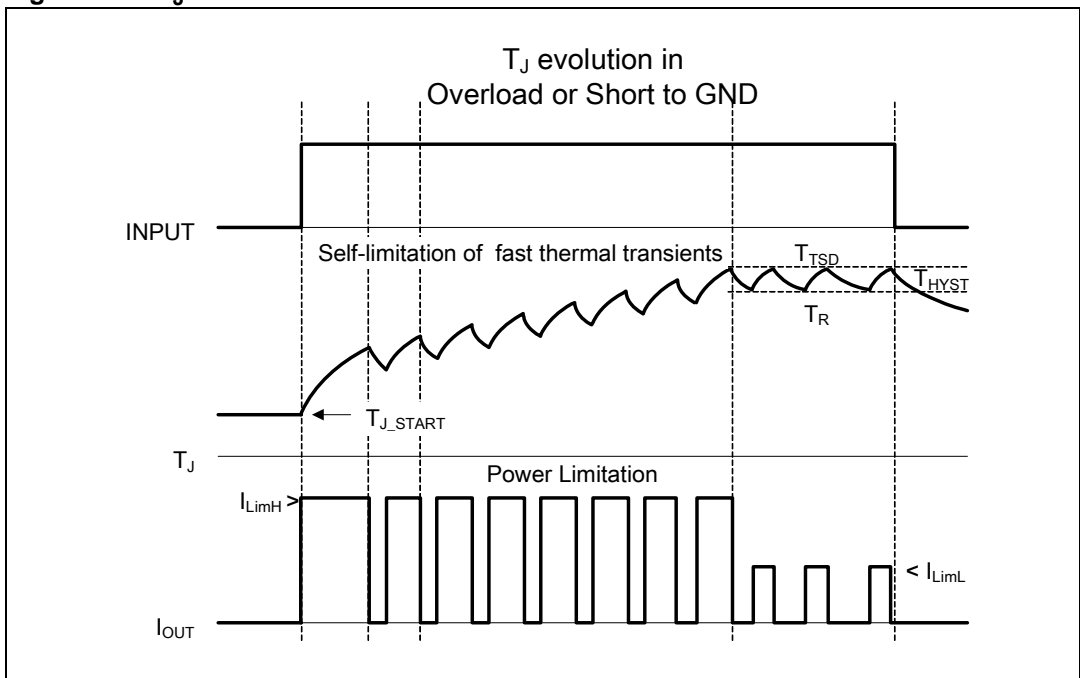


Figure 13. T_J evolution in overload or short to GND



2.5 Electrical characteristics curves

Figure 14. Off-state output current

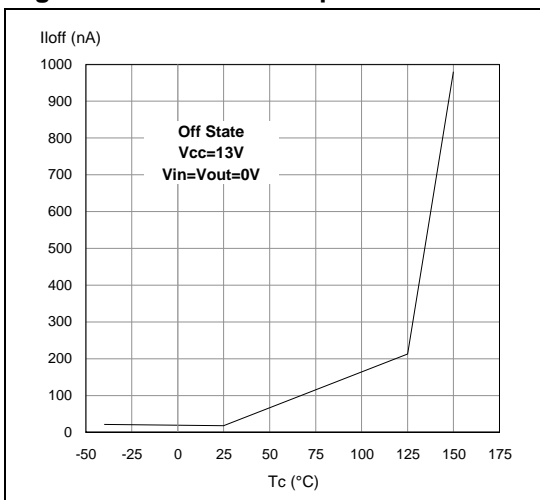


Figure 15. High level input current

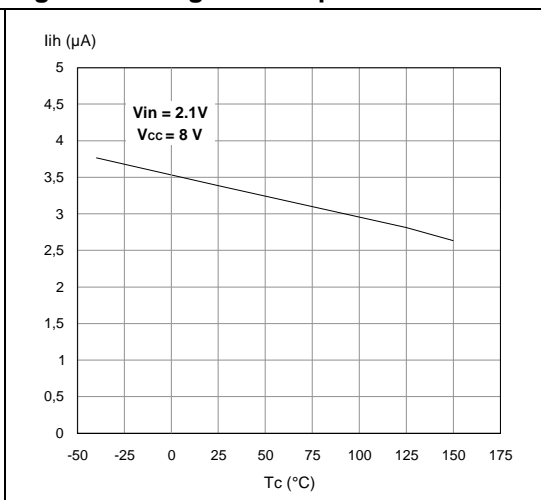


Figure 16. Input clamp voltage

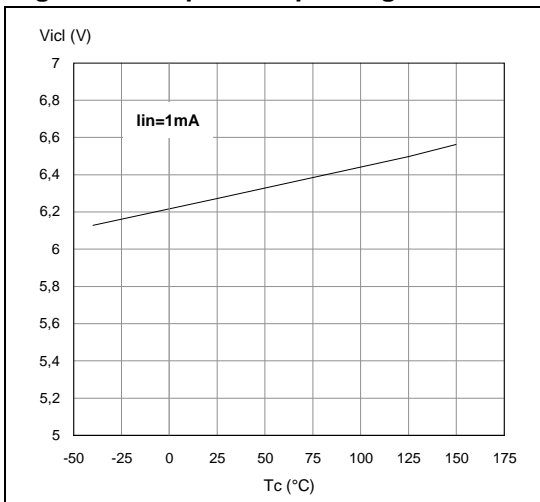


Figure 17. Input high level

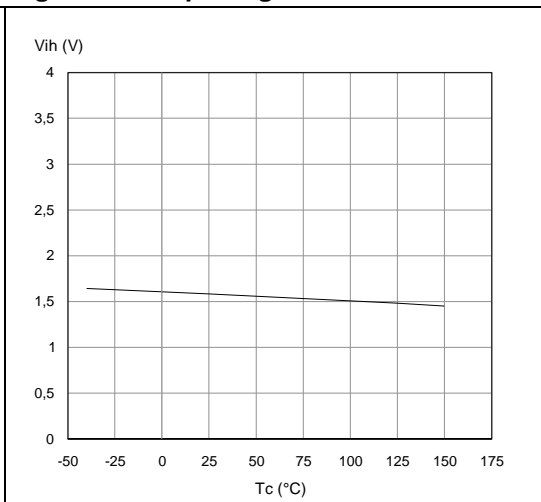


Figure 18. Input low level

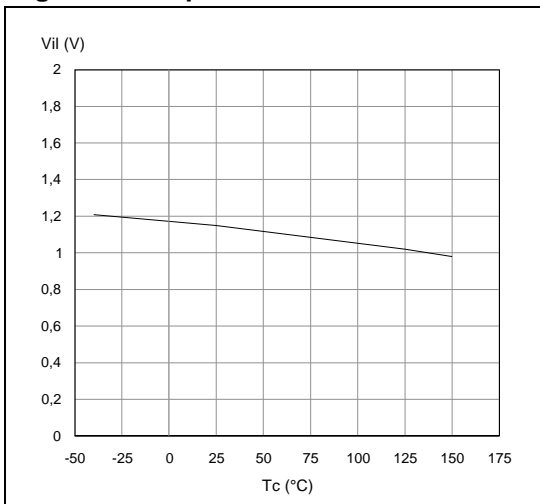


Figure 19. Input hysteresis voltage

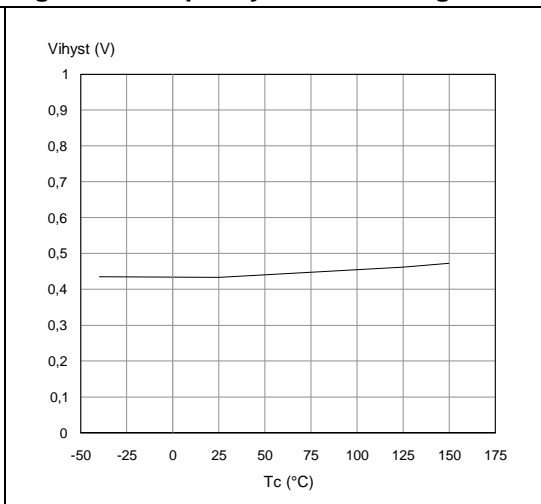


Figure 20. On-state resistance vs T_{case}

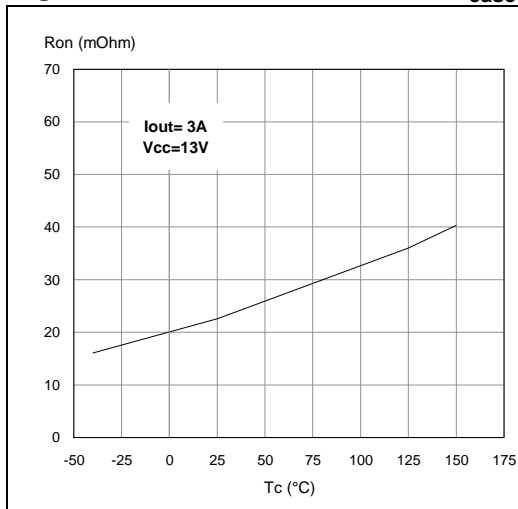


Figure 21. On-state resistance vs V_{CC}

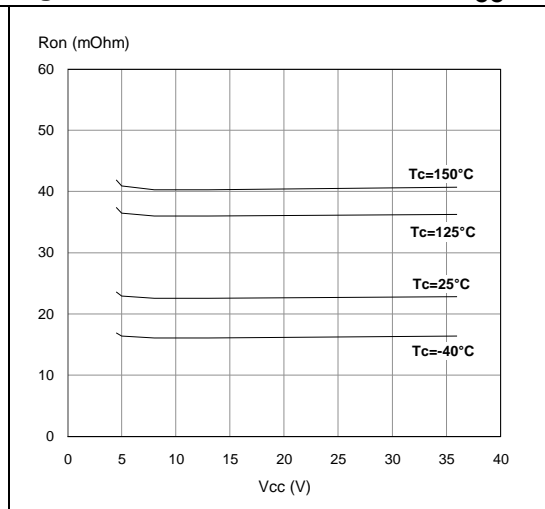


Figure 22. Undervoltage shutdown

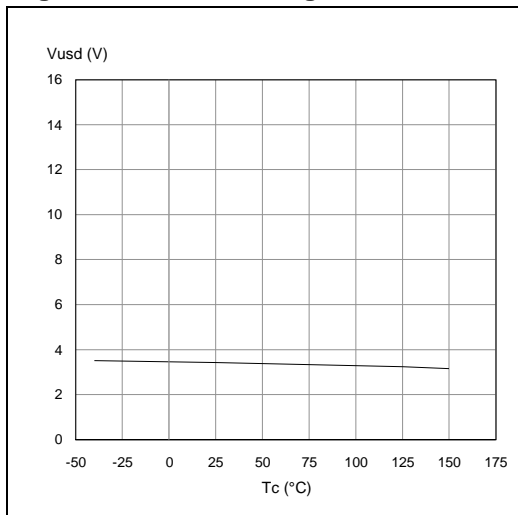


Figure 23. I_{LIMH} vs T_{case}

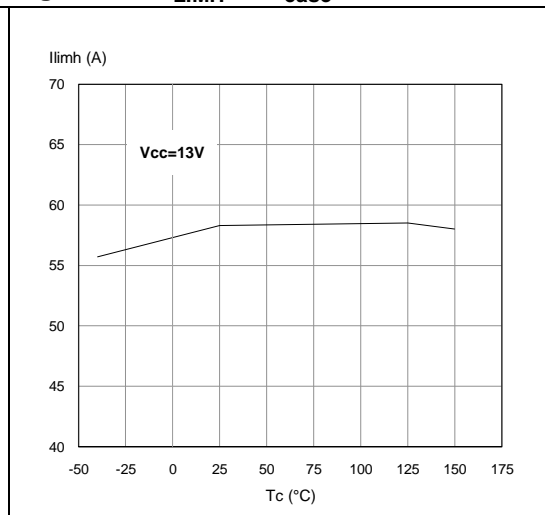


Figure 24. Turn-on voltage slope

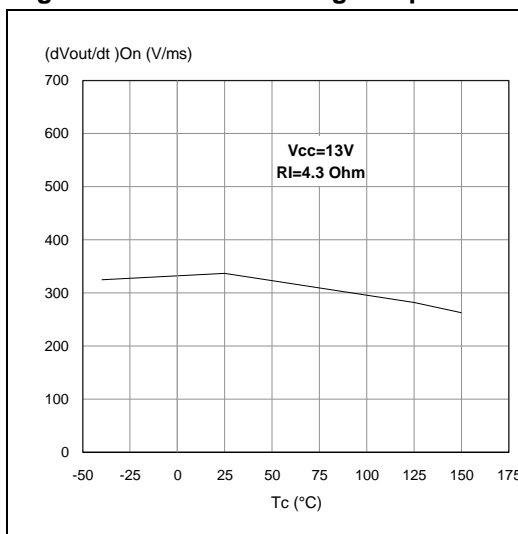


Figure 25. Turn-off voltage slope

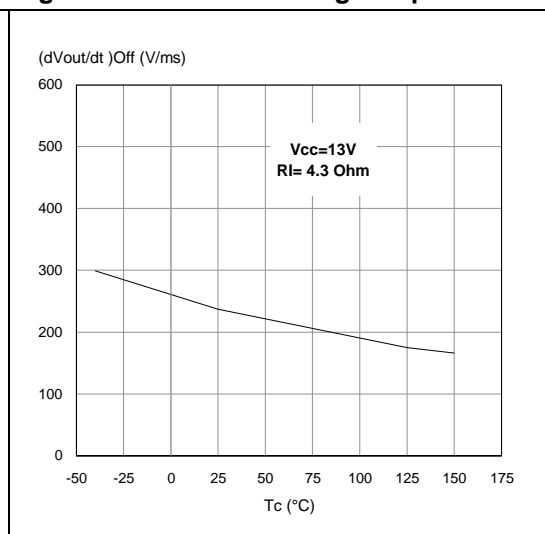


Figure 26. CS_DIS high level voltage

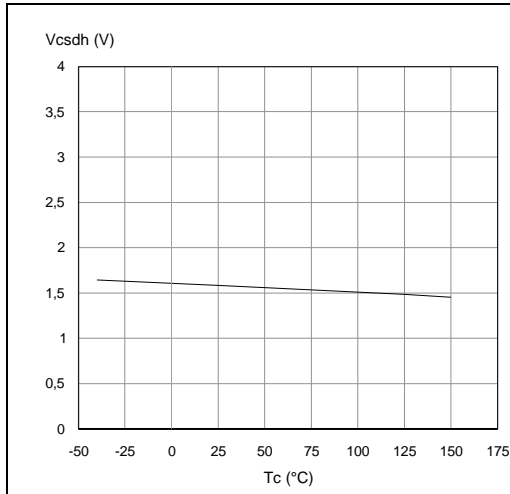


Figure 27. CS_DIS low level voltage

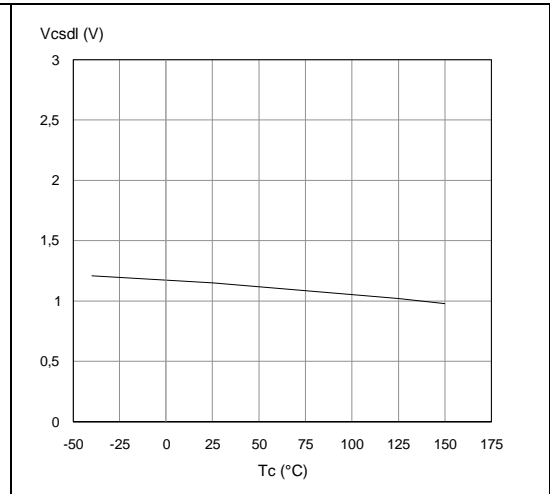
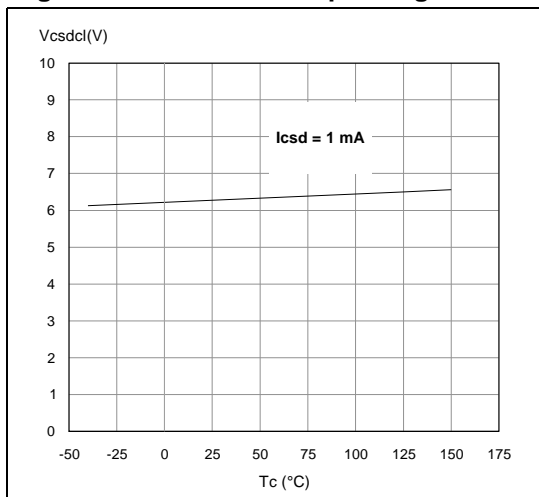
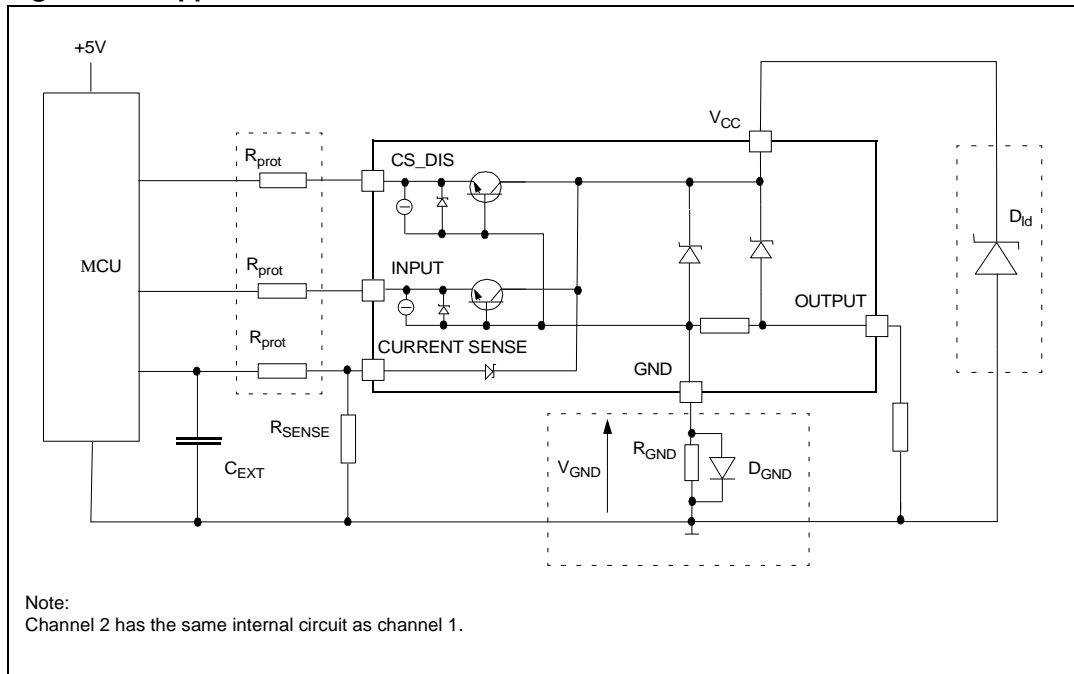


Figure 28. CS_DIS clamp voltage



3 Application information

Figure 29. Application schematic



3.1 GND protection network against reverse battery

This section provides two solutions for implementing a ground protection network against reverse battery.

3.1.1 Solution 1: resistor in the ground line (R_{GND} only)

This can be used with any type of load.

The following is an indication on how to dimension the R_{GND} resistor.

1. $R_{GND} \leq 600 \text{ mV} / (I_{S(on)max})$
2. $R_{GND} \geq (-V_{CC}) / (-I_{GND})$

where -I_{GND} is the DC reverse ground pin current and can be found in the absolute maximum rating section of the device datasheet.

Power dissipation in R_{GND} (when V_{CC}<0: during reverse battery situations) is:

$$P_D = (-V_{CC})^2 / R_{GND}$$

This resistor can be shared amongst several different HSDs. Please note that the value of this resistor should be calculated with formula (1) where I_{S(on)max} becomes the sum of the maximum On-state currents of the different devices.

Please note that if the microprocessor ground is not shared by the device ground then the R_{GND} will produce a shift (I_{S(on)max} * R_{GND}) in the input thresholds and the status output

values. This shift will vary depending on how many devices are On in the case of several high-side drivers sharing the same R_{GND} .

If the calculated power dissipation leads to a large resistor or several devices have to share the same resistor then ST suggests to utilize Solution 2 (see below).

3.1.2 Solution 2: diode (D_{GND}) in the ground line

A resistor ($R_{GND}=1\text{ k}\Omega$) should be inserted in parallel to D_{GND} if the device drives an inductive load.

This small signal diode can be safely shared amongst several different HSDs. Also in this case, the presence of the ground network will produce a shift ($\approx 600\text{mV}$) in the input threshold and in the status output values if the microprocessor ground is not common to the device ground. This shift will not vary if more than one HSD shares the same diode/resistor network.

3.2 Load dump protection

D_{ld} is necessary (voltage transient suppressor) if the load dump peak voltage exceeds the V_{CC} max DC rating. The same applies if the device is subject to transients on the V_{CC} line that are greater than the ones shown in the ISO 7637-2: 2004(E) table.

3.3 MCU I/Os protection

If a ground protection network is used and negative transients are present on the V_{CC} line, the control pins will be pulled negative. ST suggests to insert a resistor (R_{prot}) in line to prevent the MCU I/Os pins to latch-up.

The value of these resistors is a compromise between the leakage current of MCU and the current required by the HSD I/Os (Input levels compatibility) with the latch-up limit of MCU I/Os:

$$-V_{CCpeak}/I_{latchup} \leq R_{prot} \leq (V_{OH\mu C} - V_{IH} - V_{GND}) / I_{IHmax}$$

Calculation example:

For $V_{CCpeak} = -100\text{ V}$ and $I_{latchup} \geq 20\text{ mA}$; $V_{OH\mu C} \geq 4.5\text{ V}$

$$5\text{ k}\Omega \leq R_{prot} \leq 180\text{ k}\Omega$$

Recommended values: $R_{prot} = 10\text{ k}\Omega$, $C_{EXT} = 10\text{ nF}$.

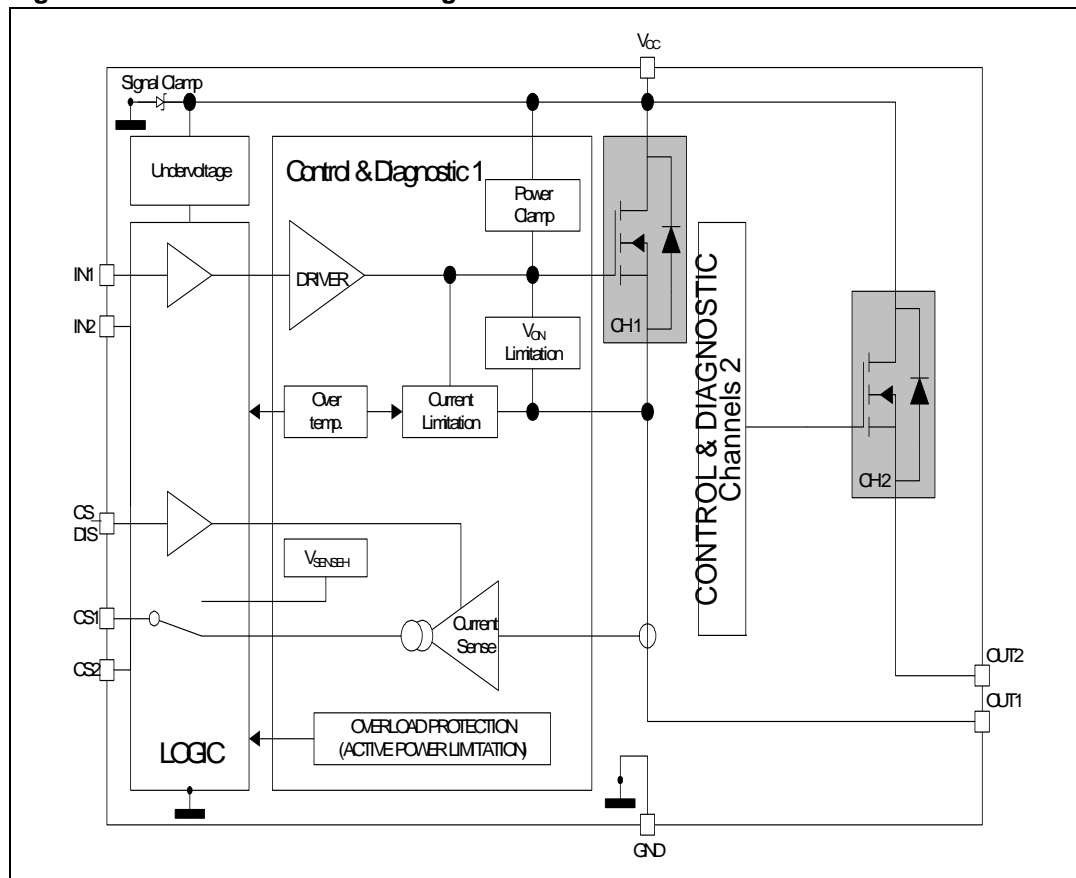
3.4 Current sense and diagnostic

The current sense pin performs a double function (see [Figure 30: Current sense and diagnostic](#)):

- **Current mirror of the load current in normal operation**, delivering a current proportional to the load one according to a known ratio K_x .
 The current I_{SENSE} can be easily converted to a voltage V_{SENSE} by means of an external resistor R_{SENSE} . Linearity between I_{OUT} and V_{SENSE} is ensured up to 5V minimum (see parameter V_{SENSE} in [Table 9: Current sense \(8V < VCC < 18V\)](#)). The current sense accuracy depends on the output current (refer to current sense electrical characteristics [Table 9: Current sense \(8V < VCC < 18V\)](#)).
- **Diagnostic flag in fault conditions**, delivering a fixed voltage V_{SENSEH} up to a maximum current I_{SENSEH} in case of the following fault conditions (refer to [Truth table](#)):
 - Power limitation activation
 - Overtemperature

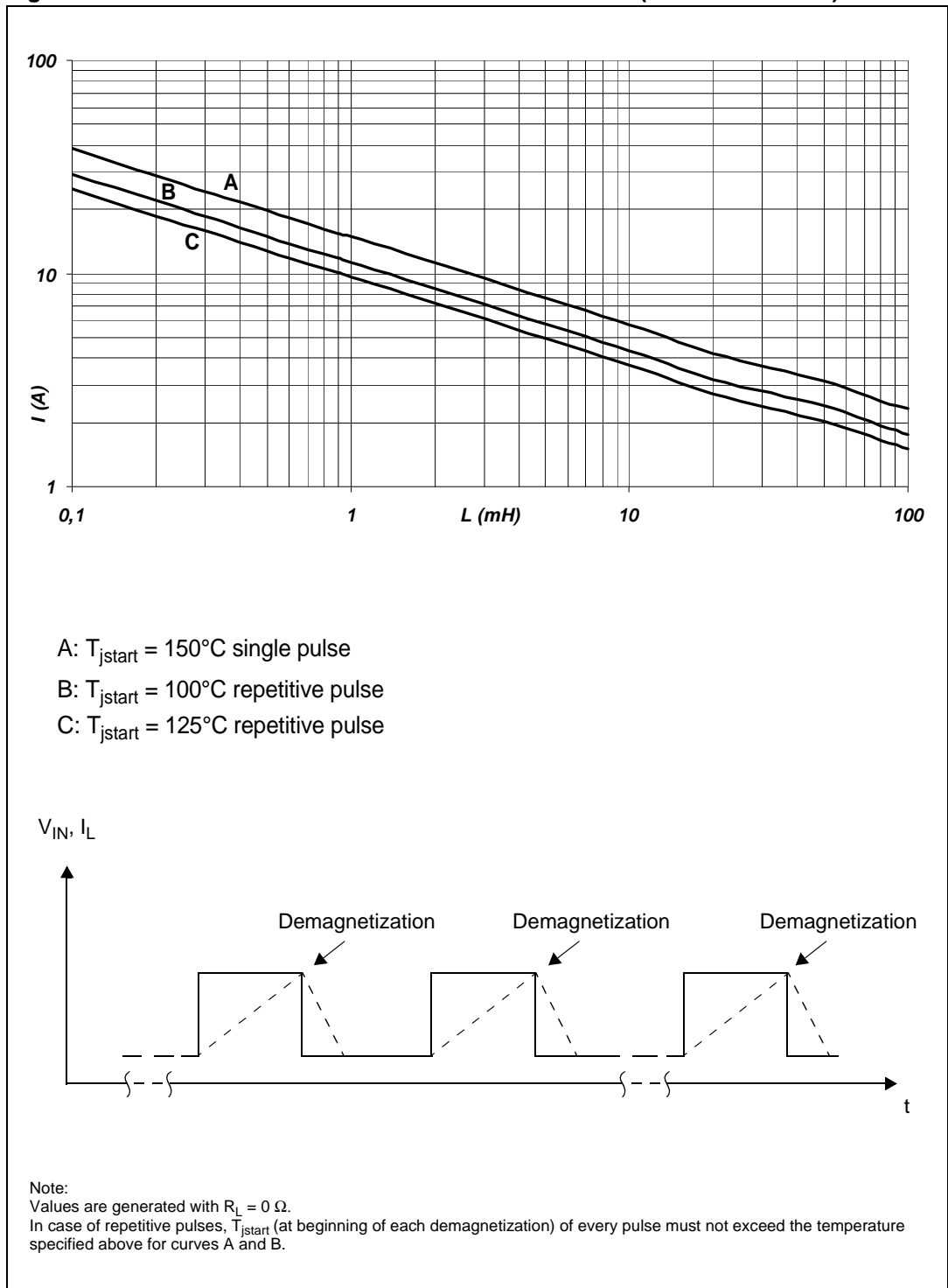
A logic level high on CS_DIS pin sets at the same time all the current sense pins of the device in a high impedance state, thus disabling the current monitoring and diagnostic detection. This feature allows multiplexing of the microcontroller analog inputs by sharing of sense resistance and ADC line among different devices.

Figure 30. Current sense and diagnostic



3.5 Maximum demagnetization energy ($V_{CC} = 13.5V$)

Figure 31. Maximum turn-off current versus inductance (for each channel)



4 Package and thermal data

4.1 PowerSSO-24 thermal data

Figure 32. PowerSSO-24 PC board

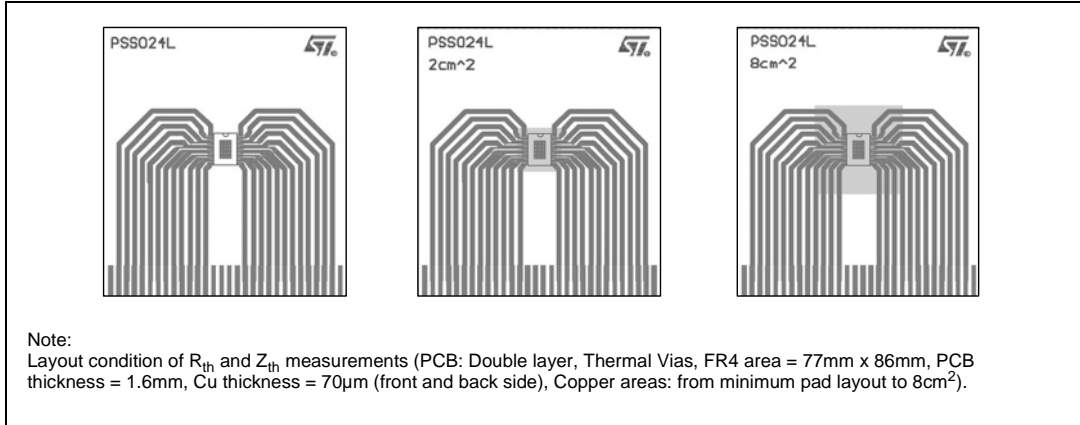


Figure 33. $R_{thj-amb}$ vs PCB copper area in open box free air condition (one channel on)

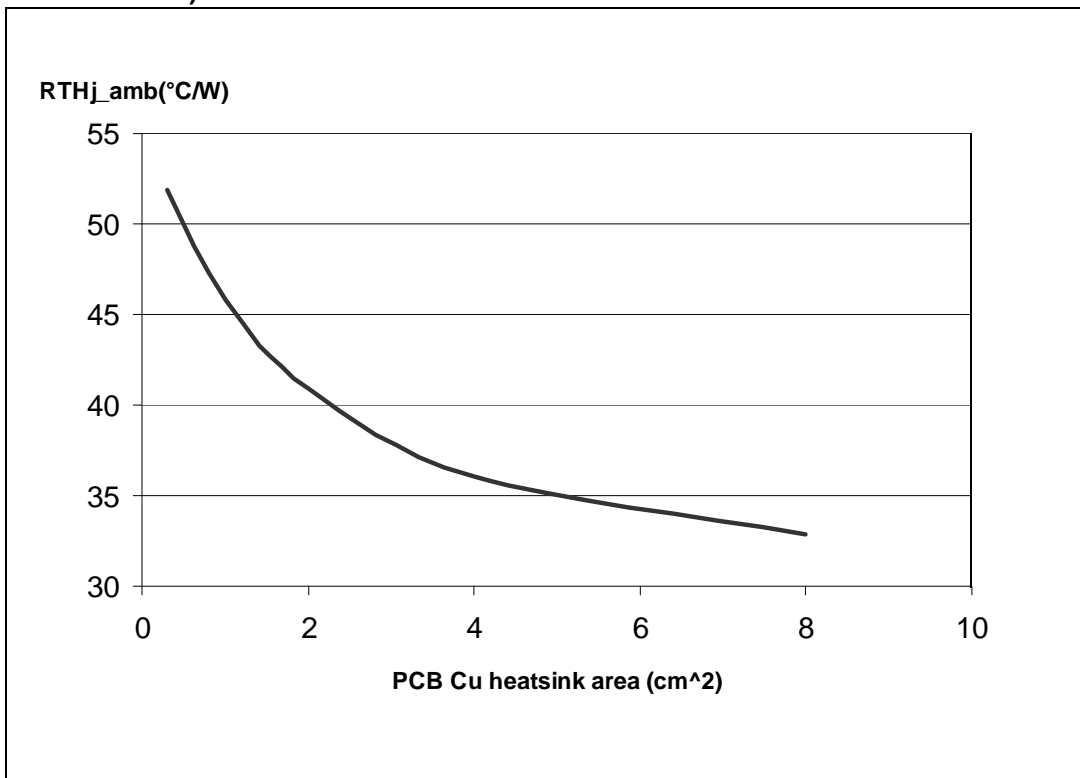
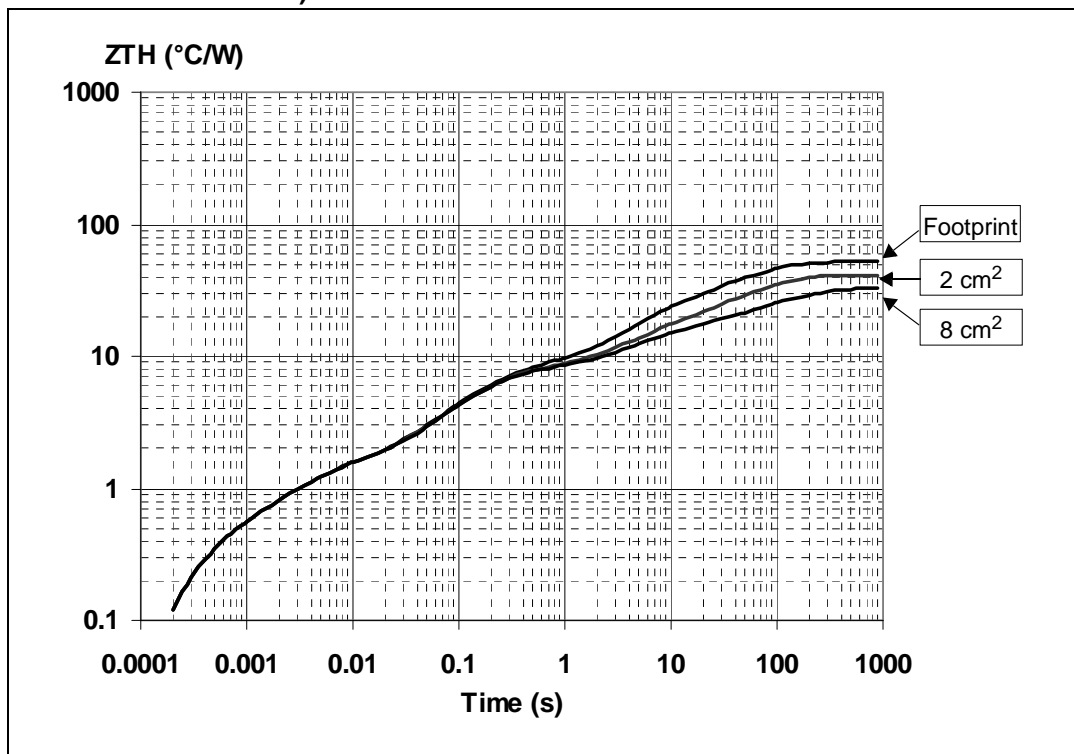


Figure 34. PowerSSO-24 thermal impedance junction to ambient single pulse (one channel on)



Equation 1: pulse calculation formula

$$Z_{TH\delta} = R_{TH} \cdot \delta + Z_{THtp}(1 - \delta)$$

where $\delta = t_p/T$

Figure 35. Thermal fitting model of a double channel HSD in PowerSSO-24

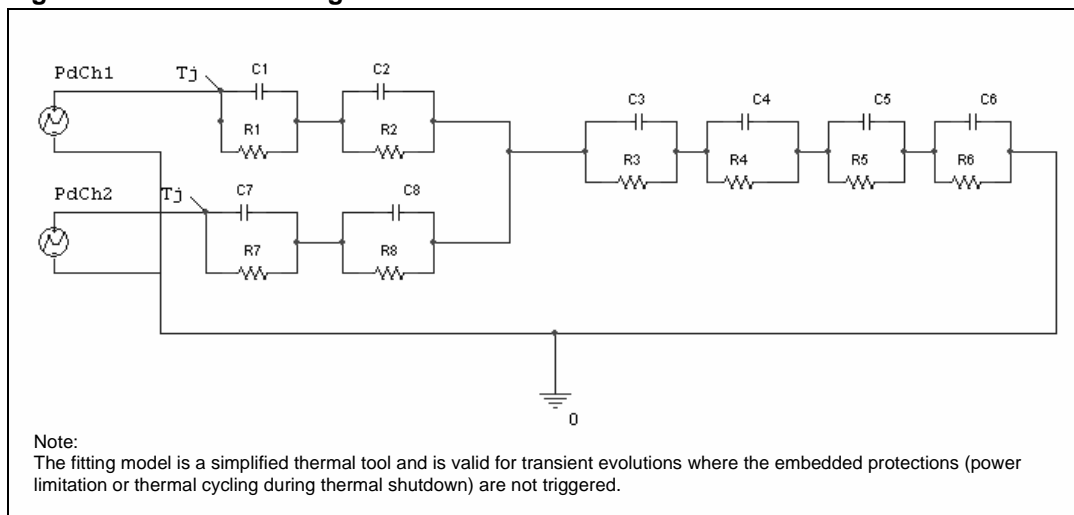


Table 14. Thermal parameters

| Area/Island (cm ²) | Footprint | 2 | 8 |
|--------------------------------|-----------|----|----|
| R1 (°C/W) | 0.28 | | |
| R2 (°C/W) | 0.9 | | |
| R3 (°C/W) | 6 | | |
| R4 (°C/W) | 7.7 | | |
| R5 (°C/W) | 9 | 9 | 8 |
| R6 (°C/W) | 28 | 17 | 10 |
| R7 (°C/W) | 0.28 | | |
| R8 (°C/W) | 0.9 | | |
| C1 (W.s/°C) | 0.001 | | |
| C2 (W.s/°C) | 0.003 | | |
| C3 (W.s/°C) | 0.025 | | |
| C4 (W.s/°C) | 0.75 | | |
| C5 (W.s/°C) | 1 | 4 | 9 |
| C6 (W.s/°C) | 2.2 | 5 | 17 |
| C7 (W.s/°C) | 0.001 | | |
| C8 (W.s/°C) | 0.003 | | |

5 Package and packing information

5.1 ECOPACK®

In order to meet environmental requirements, ST offers these devices in different grades of ECOPACK® packages, depending on their level of environmental compliance. ECOPACK® specifications, grade definitions and product status are available at: www.st.com.

ECOPACK® is an ST trademark.

5.2 Package mechanical data

Figure 36. PowerSSO-24 package dimensions

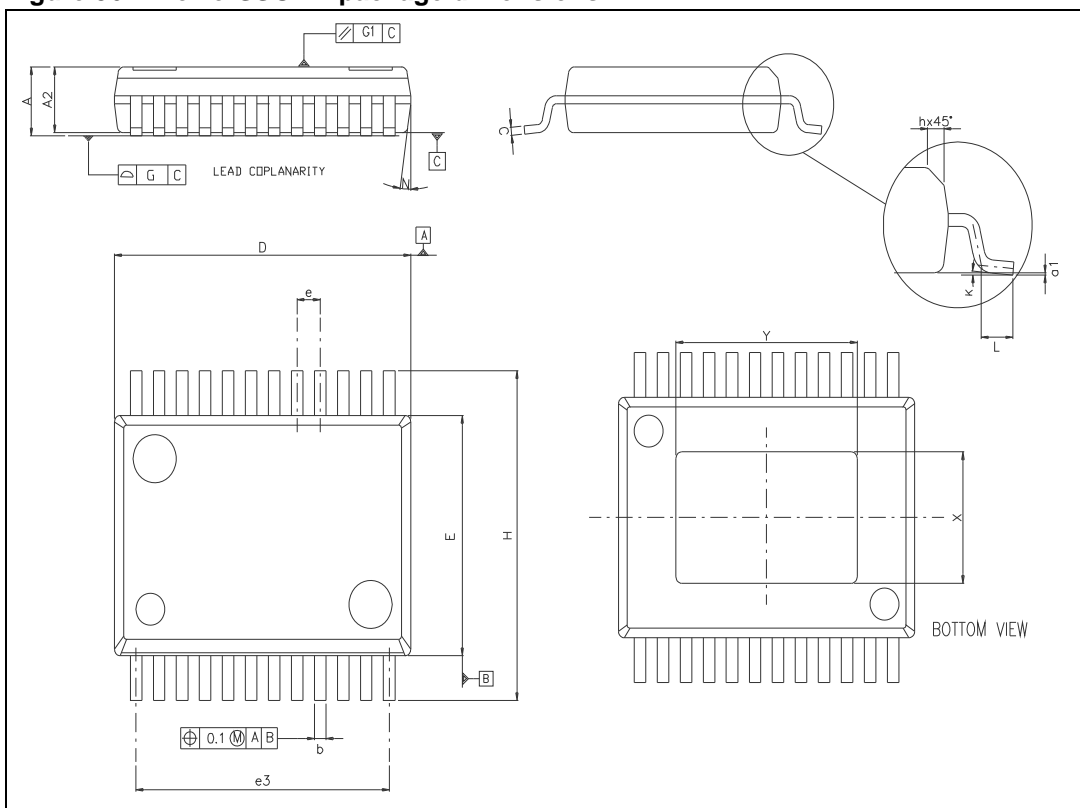


Table 15. PowerSSO-24 mechanical data

| Symbol | Millimeters | | |
|--------|-------------|------|-------|
| | Min. | Typ. | Max. |
| A | 2.15 | | 2.47 |
| A2 | 2.15 | | 2.40 |
| a1 | 0 | | 0.075 |
| b | 0.33 | | 0.51 |
| c | 0.23 | | 0.32 |
| D | 10.10 | | 10.50 |
| E | 7.4 | | 7.6 |
| e | | 0.8 | |
| e3 | | 8.8 | |
| G | | | 0.1 |
| G1 | | | 0.06 |
| H | 10.1 | | 10.5 |
| h | | | 0.4 |
| k | | 5° | |
| L | 0.55 | | 0.85 |
| N | | | 10° |
| X | 4.1 | | 4.7 |
| Y | 6.5 | | 7.1 |

5.3 Packing information

Figure 37. PowerSSO-24 tube shipment (no suffix)

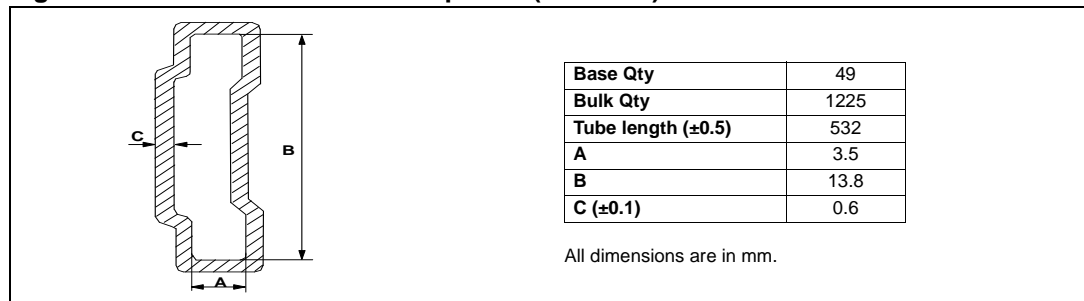
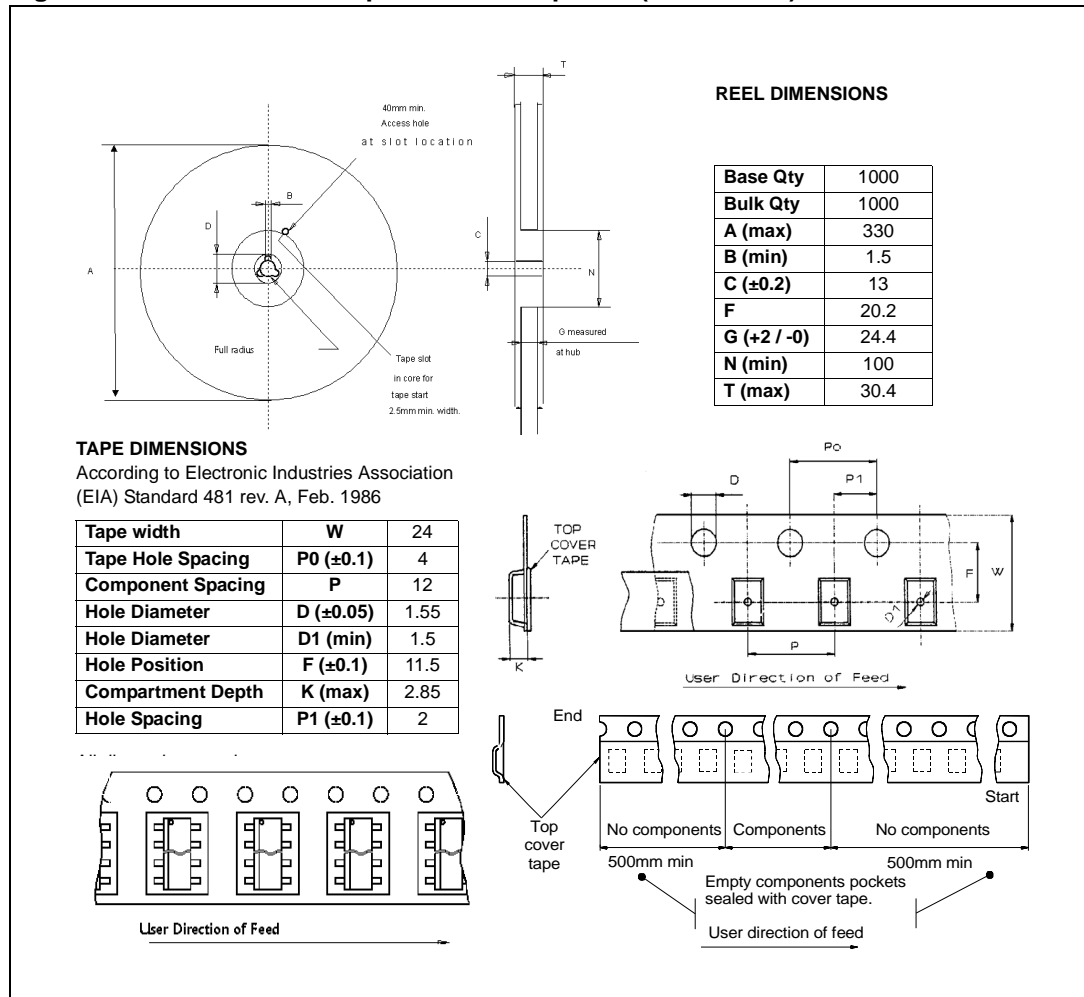


Figure 38. PowerSSO-24 tape and reel shipment (suffix “TR”)



6 Order codes

Table 16. Device summary

| Package | Order codes | |
|-------------|--------------|----------------|
| | Tube | Tape and reel |
| PowerSSO-24 | VND5E025BK-E | VND5E025BKTR-E |

7 Revision history

Table 17. Document revision history

| Date | Revision | Changes |
|-------------|----------|--|
| 17-Sep-2009 | 1 | Initial release. |
| 02-Nov-2009 | 2 | Updated Table 5: Power section . |
| 30-Nov-2009 | 3 | Updated Table 9: Current sense (8V < VCC < 18V) . Updated Figure 9: Maximum current sense ratio drift vs load current |
| 21-Jan-2010 | 4 | Updated Table 9: Current sense (8V < VCC < 18V) |
| 03-Feb-2010 | 5 | Updated following tables: – Table 6: Switching (VCC = 13V; Tj = 25°C) – Table 9: Current sense (8V < VCC < 18V) Updated following figures: – Figure 8: I_{OUT}/I_{SENSE} vs I_{OUT} – Figure 9: Maximum current sense ratio drift vs load current |
| 19-Feb-2010 | 6 | Updated Table 6: Switching (VCC = 13V; Tj = 25°C) . |
| 11-Oct-2010 | 7 | Changed document status from target specification to datasheet. |
| 19-Sep-2013 | 8 | Updated Disclaimer. |

Please Read Carefully:

Information in this document is provided solely in connection with ST products. STMicroelectronics NV and its subsidiaries ("ST") reserve the right to make changes, corrections, modifications or improvements, to this document, and the products and services described herein at any time, without notice.

All ST products are sold pursuant to ST's terms and conditions of sale.

Purchasers are solely responsible for the choice, selection and use of the ST products and services described herein, and ST assumes no liability whatsoever relating to the choice, selection or use of the ST products and services described herein.

No license, express or implied, by estoppel or otherwise, to any intellectual property rights is granted under this document. If any part of this document refers to any third party products or services it shall not be deemed a license grant by ST for the use of such third party products or services, or any intellectual property contained therein or considered as a warranty covering the use in any manner whatsoever of such third party products or services or any intellectual property contained therein.

UNLESS OTHERWISE SET FORTH IN ST'S TERMS AND CONDITIONS OF SALE ST DISCLAIMS ANY EXPRESS OR IMPLIED WARRANTY WITH RESPECT TO THE USE AND/OR SALE OF ST PRODUCTS INCLUDING WITHOUT LIMITATION IMPLIED WARRANTIES OF MERCHANTABILITY, FITNESS FOR A PARTICULAR PURPOSE (AND THEIR EQUIVALENTS UNDER THE LAWS OF ANY JURISDICTION), OR INFRINGEMENT OF ANY PATENT, COPYRIGHT OR OTHER INTELLECTUAL PROPERTY RIGHT.

ST PRODUCTS ARE NOT DESIGNED OR AUTHORIZED FOR USE IN: (A) SAFETY CRITICAL APPLICATIONS SUCH AS LIFE SUPPORTING, ACTIVE IMPLANTED DEVICES OR SYSTEMS WITH PRODUCT FUNCTIONAL SAFETY REQUIREMENTS; (B) AERONAUTIC APPLICATIONS; (C) AUTOMOTIVE APPLICATIONS OR ENVIRONMENTS, AND/OR (D) AEROSPACE APPLICATIONS OR ENVIRONMENTS. WHERE ST PRODUCTS ARE NOT DESIGNED FOR SUCH USE, THE PURCHASER SHALL USE PRODUCTS AT PURCHASER'S SOLE RISK, EVEN IF ST HAS BEEN INFORMED IN WRITING OF SUCH USAGE, UNLESS A PRODUCT IS EXPRESSLY DESIGNATED BY ST AS BEING INTENDED FOR "AUTOMOTIVE, AUTOMOTIVE SAFETY OR MEDICAL" INDUSTRY DOMAINS ACCORDING TO ST PRODUCT DESIGN SPECIFICATIONS. PRODUCTS FORMALLY ESCC, QML OR JAN QUALIFIED ARE DEEMED SUITABLE FOR USE IN AEROSPACE BY THE CORRESPONDING GOVERNMENTAL AGENCY.

Resale of ST products with provisions different from the statements and/or technical features set forth in this document shall immediately void any warranty granted by ST for the ST product or service described herein and shall not create or extend in any manner whatsoever, any liability of ST.

ST and the ST logo are trademarks or registered trademarks of ST in various countries.

Information in this document supersedes and replaces all information previously supplied.

The ST logo is a registered trademark of STMicroelectronics. All other names are the property of their respective owners.

© 2013 STMicroelectronics - All rights reserved

STMicroelectronics group of companies

Australia - Belgium - Brazil - Canada - China - Czech Republic - Finland - France - Germany - Hong Kong - India - Israel - Italy - Japan - Malaysia - Malta - Morocco - Philippines - Singapore - Spain - Sweden - Switzerland - United Kingdom - United States of America

www.st.com