

# UBA2028

600 V dimmable power IC for compact fluorescent lamps

Rev. 02 — 19 July 2010

Product data sheet

## 1. General description

---

The UBA2028 is a high voltage power IC that drives and controls electronically ballasted Compact Fluorescent Lamps (CFLs). The IC includes a Metal-Oxide-Semiconductor Transistor (MOST) half-bridge power circuit, a dimming function, a high voltage level shift circuit, an oscillator function, a lamp voltage monitor, a current control function, a timer function and various protections.

## 2. Features and benefits

---

- Two internal 600 V, 3  $\Omega$  max MOST half-bridge power circuits
- For steady state currents up to 280 mA
- For ignition currents up to 1.5 A
- Adjustable preheat time
- Adjustable preheat current
- Current controlled operating
- Single ignition attempt
- Adaptive non-overlap time control
- Integrated high voltage level shift function
- Power-down function
- Protection against lamp failures or lamp removal
- Capacitive mode protection

## 3. Applications

---

- 5 W to 25 W dimmable CFLs, provided that the maximum junction temperature is not exceeded.



## 4. Quick reference data

**Table 1. Quick reference data**

$V_{DD} = 13\text{ V}$ ;  $V_{FS} - V_{SH} = 13\text{ V}$ ;  $T_{amb} = 25\text{ °C}$ ; all voltages are referenced to GND; unless otherwise specified.

Symbol	Parameter	Conditions	Min	Typ	Max	Unit
<b>Start-up state</b>						
$V_{DD(\text{startup})}$	start-up supply voltage	for oscillator	12.4	13.0	13.6	V
$V_{DD(\text{stop})}$	stop supply voltage	for oscillator	8.6	9.1	9.6	V
$I_{DD(\text{startup})}$	start-up supply current	for oscillator; $V_{DD} < V_{DD(\text{startup})}$	-	170	200	$\mu\text{A}$
<b>High voltage supply</b>						
$V_{hs}$	high-side supply voltage	$I_{HV} < 30\ \mu\text{A}$ ; $t < 1\ \text{s}$	-	-	600	V
<b>Reference voltage</b>						
$V_{ref}$	reference voltage	$I_{leak} = 10\ \mu\text{A}$	2.86	2.95	3.04	V
<b>Voltage controlled oscillator</b>						
$f_{max}$	maximum frequency	for bridge; $C_{CF} = 100\ \text{pF}$	90	100	110	kHz
$f_{min}$	minimum frequency	for bridge; $C_{CF} = 100\ \text{pF}$	38.9	40.5	42.1	kHz
<b>Half-bridge power transistors</b>						
$R_{on}$	on-state resistance	half-bridge power	-	-	3	$\Omega$
$I_D$	drain current	pulsed; $t_p$ limited by $T_{j(\text{max})}$ ; $T < T_{j(\text{max})}$	-	-	1.5	A
<b>Preheat current sensor</b>						
$V_{ph}$	preheat voltage		0.57	0.60	0.63	V
<b>Lamp voltage sensor</b>						
$V_{lamp(\text{fail})}$	lamp fail voltage		0.77	0.81	0.85	V
$V_{lamp(\text{max})}$	maximum lamp voltage		1.44	1.49	1.54	V
<b>Average current sensor</b>						
$V_{offset}$	offset voltage	$V_{i(\text{CSP})} = V_{i(\text{CSN})} = 0\ \text{V to } 2.5\ \text{V}$	-2	0	+2	mV
$g_m$	transconductance	$f = 1\ \text{kHz}$	1900	3800	5700	$\mu\text{A/mV}$
<b>Preheat timer</b>						
$t_{ph}$	preheat time	$C_{CT} = 330\ \text{nF}$ ; $R_{IREF} = 33\ \text{k}\Omega$	1.6	1.8	2.0	s
$V_{OL}$	LOW-level output voltage		-	1.4	-	V
$V_{OH}$	HIGH-level output voltage		-	3.6	-	V

## 5. Ordering information

Table 2. Ordering information

Type number	Package		
	Name	Description	Version
UBA2028T	SO20	plastic small outline package; 20 leads; body width 7.5 mm	SOT163-1

## 6. Block diagram

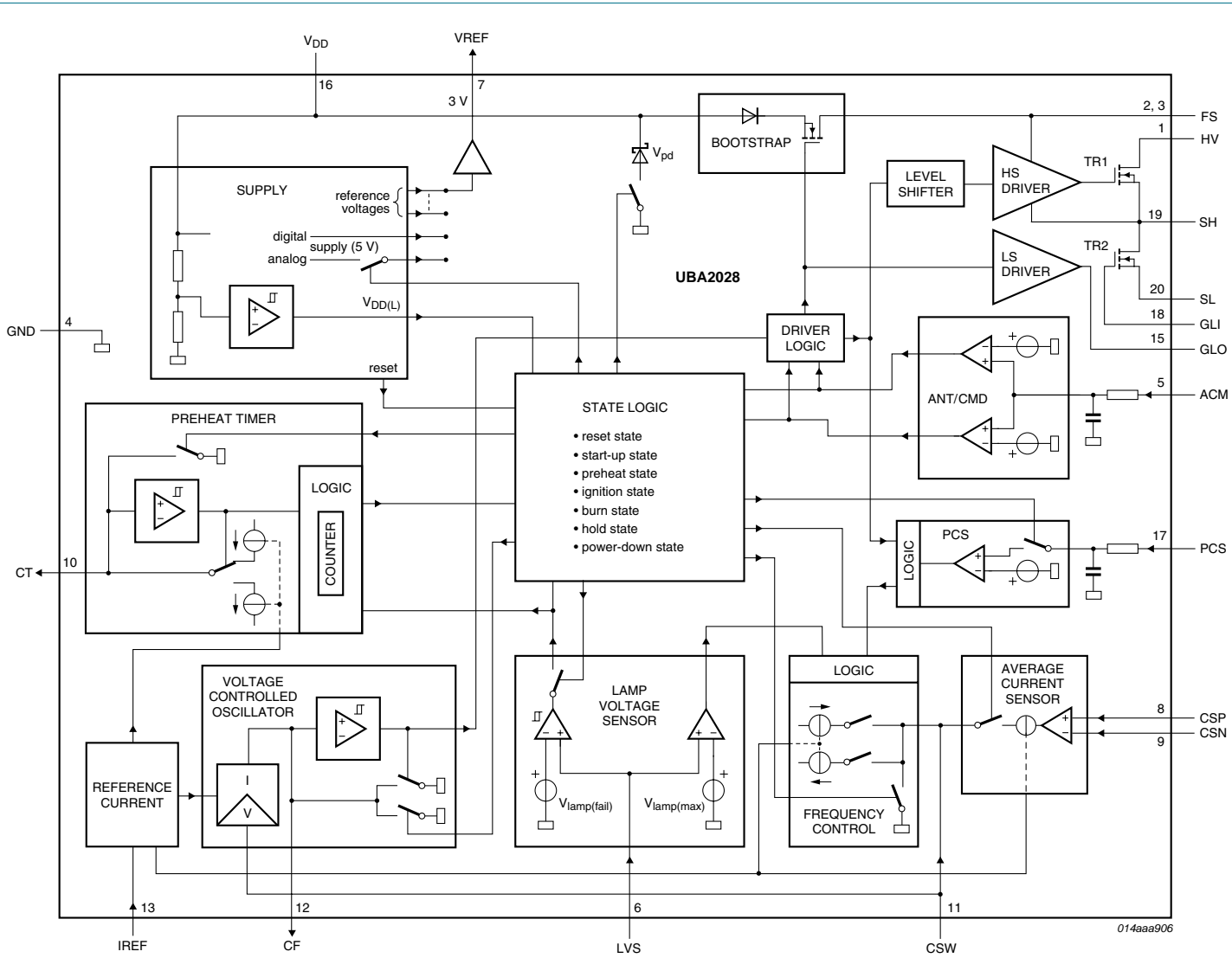


Fig 1. Block diagram

## 7. Pinning information

### 7.1 Pinning

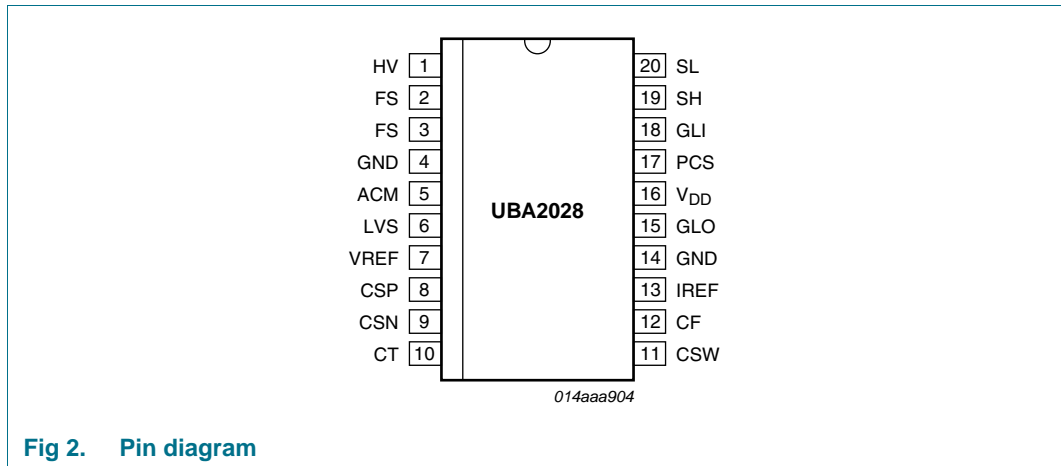


Fig 2. Pin diagram

### 7.2 Pin description

Table 3. Pin description

Symbol	Pin	Description
HV	1	high voltage input
FS	2	floating supply voltage; supply for high-side switch
FS	3	floating supply voltage; supply for high-side switch
GND	4	ground
ACM	5	capacitive mode input
LVS	6	lamp voltage sensor input
VREF	7	reference voltage output
CSP	8	positive input for the average current sensor
CSN	9	negative input for the average current sensor
CT	10	preheat timer output
CSW	11	input of voltage controlled oscillator
CF	12	voltage controlled oscillator output
IREF	13	internal reference current input
GND	14	ground
GLO	15	gate output for the low-side switch, must be wired to pin 18
V <sub>DD</sub>	16	low voltage supply
PCS	17	preheat current sensor input
GLI	18	gate input for the low-side switch, must be wired to pin 15.
SH	19	source for the high-side switch
SL	20	source low-side switch, connected to PGND via a resistor; see <a href="#">Figure 7</a>

## 8. Functional description

### 8.1 Start-up state

Initial start-up can be achieved by charging the low voltage supply capacitor at pin 16 (see [Figure 8](#) and [Figure 9](#)) via an external start-up resistor. Start-up of the circuit is achieved under the condition that both half-bridge transistors TR1 and TR2 are non-conductive. The circuit will be reset in the start-up state. If the low voltage supply ( $V_{DD}$ ) reaches the value of  $V_{DD(\text{startup})}$  the circuit will start oscillating. A DC reset circuit is incorporated in the High-Side (HS) driver. Below the lockout voltage at the FS pin the output voltage (TR1 gate voltage –  $V_{SH}$ ) is zero. The voltages at pins CF and CT are zero during the start-up state.

### 8.2 Oscillation

The internal oscillator is a Voltage Controlled Oscillator (VCO) circuit which generates a sawtooth waveform between the  $V_{o(\text{osc})\text{max}}$  level and 0 V. The frequency of the sawtooth is determined by capacitor  $C_{CF}$ , resistor  $R_{IREF}$ , and the voltage at pin CSW. The minimum and maximum switching frequencies are determined by  $R_{IREF}$  and  $C_{CF}$ ; their ratio is internally fixed. The sawtooth frequency is twice the half-bridge frequency. The UBA2028 brings the transistors TR1 and TR2 into conduction alternately with a duty cycle of approximately 50 %. An overview of the oscillator signal and driver signals is illustrated in [Figure 7](#). The oscillator starts oscillating at  $f_{\text{max}}$ . During the first switching cycle the Low-Side (LS) transistor (TR2) is switched on. The first conducting time is made extra long to enable the bootstrap capacitor to charge.

### 8.3 Adaptive non-overlap

The non-overlap time is realized with an adaptive non-overlap timing circuit (ANT). By using an adaptive non-overlap circuit, the application can determine the duration of the non-overlap time and make it optimum for each frequency; see [Figure 7](#). The non-overlap time is determined by the slope of the half-bridge voltage, and is detected by the signal across resistor R15 see [Figure 8](#) (R6 in [Figure 9](#)) which is connected directly to pin ACM. The minimum non-overlap time is internally fixed. The maximum non-overlap time is internally fixed at approximately 25 % of the bridge period time. An internal filter of 30 ns is included at the ACM pin to increase the noise immunity.

### 8.4 Timing circuit

A timing circuit is included to determine the preheat time and the ignition time. The circuit consists of a clock generator and a counter.

The preheat time is defined by  $C_{CT}$  and  $R_{IREF}$  connected to pins 10 and 13, and consists of 7 pulses at  $C_{CT}$ ; the maximum ignition time is 1 pulse at  $C_{CT}$ . The timing circuit starts operating after the start-up state, as soon as the low supply voltage ( $V_{DD}$ ) has reached  $V_{DD(\text{startup})}$  or when a critical value of the lamp voltage ( $V_{\text{lamp}(\text{fail})}$ ) is exceeded. When the timer is not operating  $C_{CT}$  is discharged to 0 V at 1 mA.

## 8.5 Preheat state

After starting at  $f_{\max}$ , the frequency decreases until the momentary value of the voltage across sense resistor R21 (see [Figure 8](#)) or R5 ([Figure 9](#)) reaches the internally fixed preheat voltage level (pin PCS). Detection of the preheat voltage occurs during the end of the 'on-time' of the low-side switch TR2 when the internal preheat fixed voltage reference level is exceeded. Once detection has occurred the output current of the Preheat Current Sensor (PCS) circuit discharges the capacitor  $C_{CSW}$ , thus raising the frequency. The internal preheat control is reset during each 'on-time' of the high-side switch TR1, thus  $C_{CSW}$  is charged, and the frequency decreases. It remains in this condition when no detection occurs. The preheat time begins at the moment that the circuit starts oscillating. During the preheat time the Average Current Sensor (ACS) circuit is disabled. An internal filter of 30 ns is included at pin PCS to increase the noise immunity.

## 8.6 Ignition state

After the preheat time the ignition state is entered and the frequency will sweep down due to charging of the capacitor at pin CSW with an internally fixed current; see [Figure 4](#). During this continuous decrease in frequency, the circuit approaches the resonant frequency of the load. This will cause a high voltage across the load, which normally ignites the lamp. The ignition voltage of a lamp is designed above the  $V_{\text{lamp(fail)}}$  level. If the lamp voltage exceeds the  $V_{\text{lamp(fail)}}$  level the ignition timer is started.

## 8.7 Burn state

If the lamp voltage does not exceed the  $V_{\text{lamp(max)}}$  level the voltage at pin CSW will continue to increase until the clamp level at pin CSW is reached; see [Figure 4](#). As a consequence the frequency will decrease until the minimum frequency is reached.

When the frequency reaches its minimum level it is assumed that the lamp has ignited and the circuit will enter the burn state. The Average Current Sensor (ACS) circuit will be enabled. As soon as the averaged voltage across sense resistor R21 (see [Figure 8](#)) or R5 ([Figure 9](#)), measured at pin CSN, reaches the reference level at pin CSP, the average current sensor circuit will take over the control of the lamp current. The average current through R21 or R5, is transferred to a voltage at the voltage controlled oscillator and regulates the frequency and, as a result, the lamp current.

## 8.8 Lamp failure mode

### 8.8.1 During ignition state

If the lamp does not ignite, the voltage level increases. When the lamp voltage exceeds the  $V_{\text{lamp(max)}}$  level, the voltage will be regulated at the  $V_{\text{lamp(max)}}$  level; see [Figure 5](#). When the  $V_{\text{lamp(fail)}}$  level is crossed the ignition timer has already started. If the voltage at pin LVS is above the  $V_{\text{lamp(fail)}}$  level at the end of the ignition time the circuit stops oscillating and is forced into the Power-down mode. The circuit will be reset only when the supply voltage is powered down.

### 8.8.2 During burn state

If the lamp fails during normal operation, the voltage across the lamp will increase and the lamp voltage will exceed the  $V_{\text{lamp(fail)}}$  level; see [Figure 6](#). At that moment the ignition timer is started. If the lamp voltage increases further it will reach the  $V_{\text{lamp(max)}}$  level. This forces the circuit to re-enter the ignition state and results in an attempt to reignite the

lamp. If during restart the lamp still fails, the voltage remains high until the end of the ignition time. At the end of the ignition time the circuit stops oscillating and the circuit will enter the Power-down mode.

### 8.9 Power-down mode

The Power-down mode will be entered if, at the end of the ignition time, the voltage at pin LVS is above  $V_{lamp(fail)}$ . In the Power-down mode the oscillator will be stopped and both TR1 and TR2 will be non-conductive. The  $V_{DD}$  supply is internally clamped. The circuit is released from the Power-down mode by lowering the low voltage supply below  $V_{DD(rst)}$ .

### 8.10 Capacitive mode protection

The signal across R15 see [Figure 8](#) (R6 in [Figure 9](#)) also gives information about the switching behavior of the half-bridge. If, after the preheat state, the voltage across the ACM resistor (R15 or R6) does not exceed the  $V_{det(capm)}$  level during the non-overlap time, the Capacitive Mode Detection circuit (CMD) assumes that the circuit is in the capacitive mode of operation. As a consequence the frequency will directly be increased to  $f_{max}$ . The frequency behavior is de coupled from the voltage at pin CSW until  $C_{CSW}$  has been discharged to zero.

### 8.11 Charge coupling

Due to parasitic capacitive coupling to the high voltage circuitry all pins are burdened with a repetitive charge injection. Given the typical application the pins IREF and CF are sensitive to this charge injection. For charge coupling of approximately 8 pC, a safe functional operation of the IC is guaranteed, independent of the current level.

Charge coupling at current levels below 50  $\mu$ A will not interfere with the accuracy of the  $V_{CS}$ ,  $V_{i(PCS)}$  and  $V_{i(ACM)}$  levels.

Charge coupling at current levels below 20  $\mu$ A will not interfere with the accuracy of any parameter.

### 8.12 Design equations

The following design equations are used to calculate the desired preheat time, the maximum ignition time, and the minimum and the maximum switching frequency.

$$t_{ph} = 1.8 \times \frac{C_{CT}}{330 \times 10^{-9}} \times \frac{R_{IREF}}{33 \times 10^3} \quad (1)$$

$$t_{ign} = 0.26 \times \frac{C_{CT}}{330 \times 10^{-9}} \times \frac{R_{IREF}}{33 \times 10^3} \quad (2)$$

$$f_{min} = 40.5 \times 10^3 \times \frac{100 \times 10^{-12}}{C_{CF}} \times \frac{33 \times 10^3}{R_{IREF}} \quad (3)$$

$$f_{max} = 2.5 \times f_{min} \quad (4)$$

Start of ignition is defined as the moment at which the measured lamp voltage crosses the  $V_{lamp(fail)}$  level; see [Section 8.8](#).



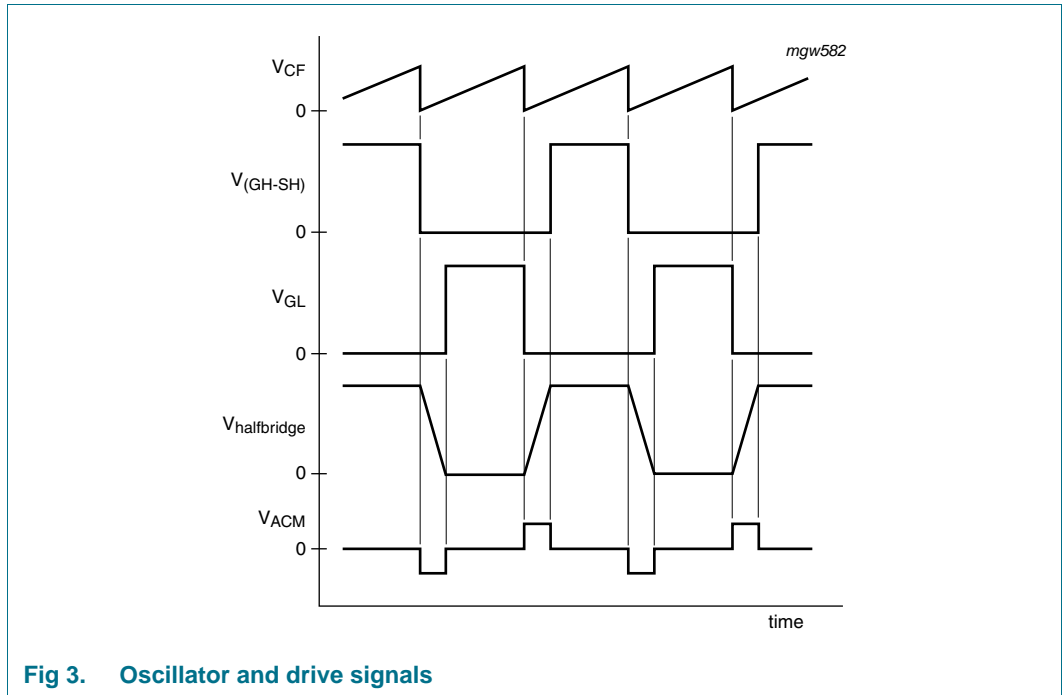


Fig 3. Oscillator and drive signals

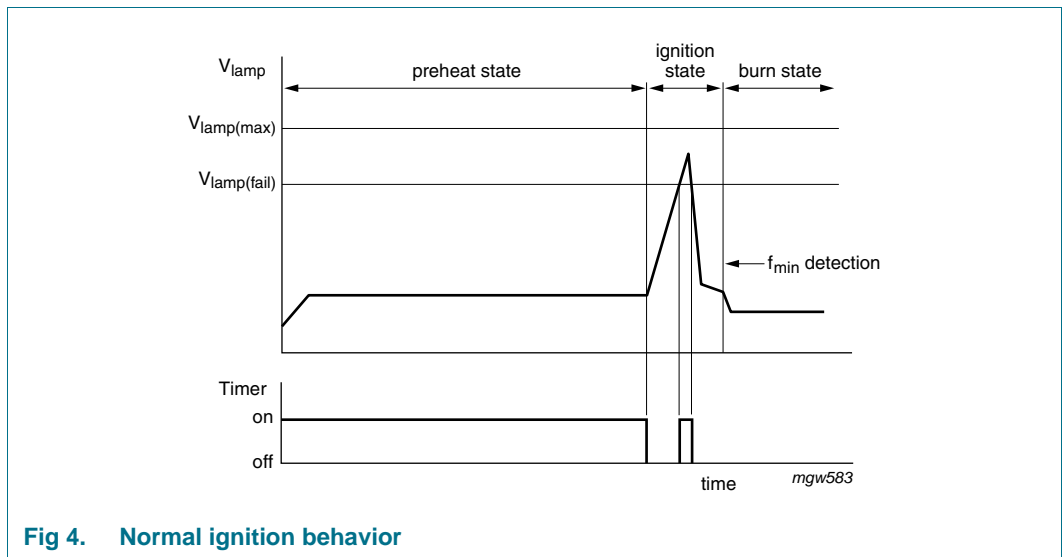
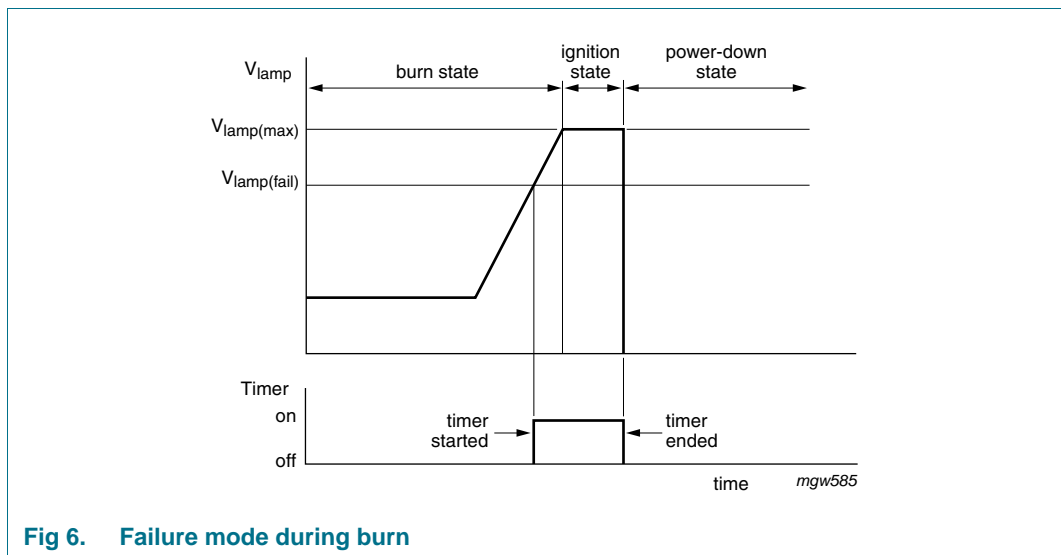
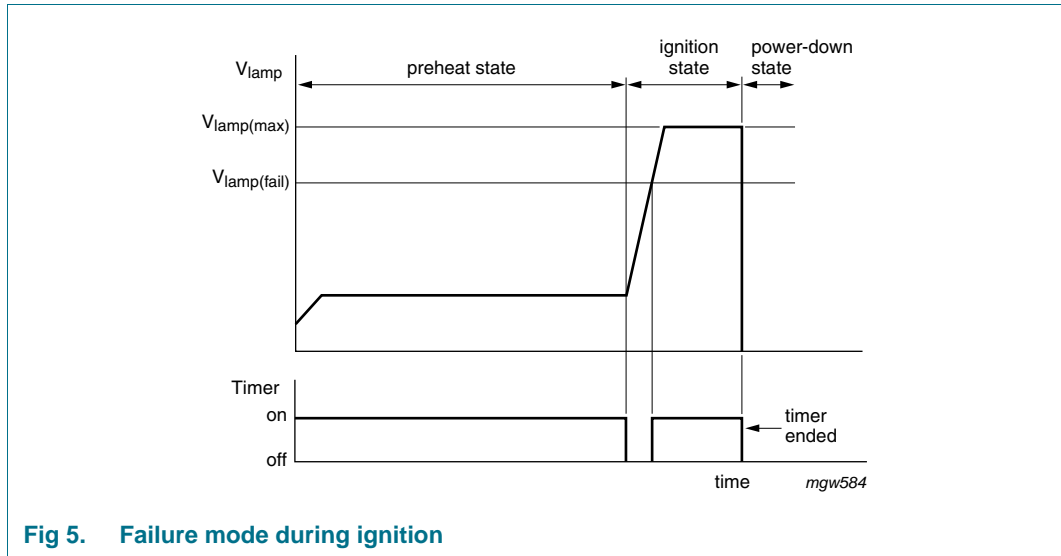


Fig 4. Normal ignition behavior



### 8.13 Layout considerations

The connection of PGND and GND is shown in [Figure 7](#)

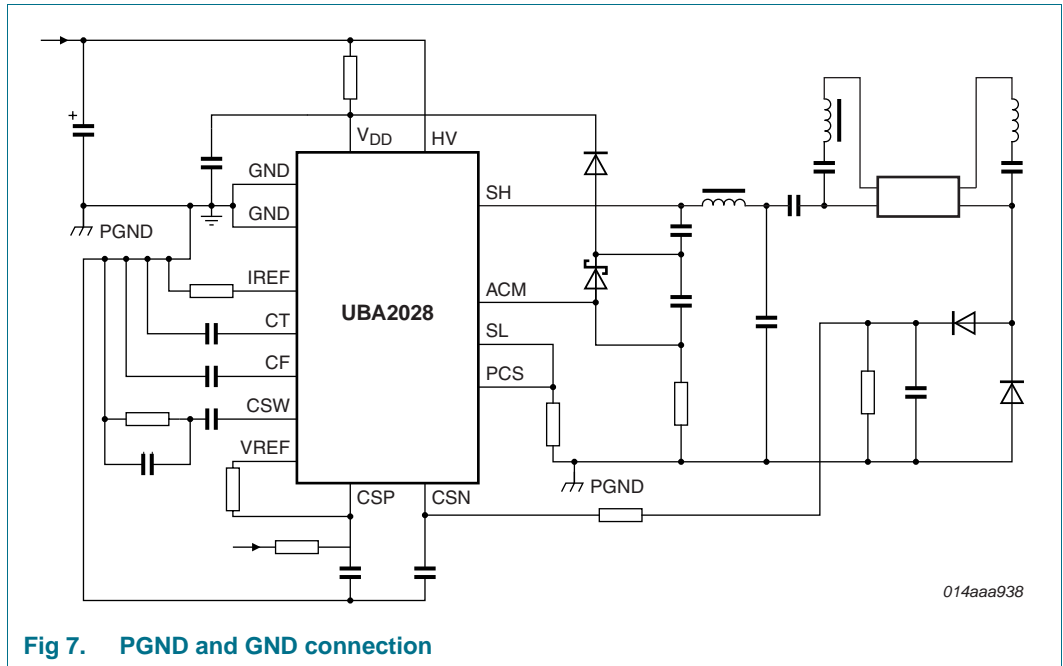


Fig 7. PGND and GND connection

## 9. Limiting values

**Table 4. Limiting values**

In accordance with the Absolute Maximum Rating System (IEC 60134). All voltages referenced to GND.

Symbol	Parameter	Conditions	Min	Max	Unit
V <sub>HV</sub>	voltage on pin HV	operating; during 1 s	-	600	V
		operating	-	510	V
I <sub>D</sub>	drain current	TR1 pulsed; t <sub>p</sub> limited by T <sub>j(max)</sub> ; T < T <sub>j(max)</sub>	-	1.5	A
		TR2 pulsed; t <sub>p</sub> limited by T <sub>j(max)</sub> ; T < T <sub>j(max)</sub>	-	1.5	A
V <sub>VDD</sub>	voltage on pin V <sub>DD</sub>		-	14	V
V <sub>FS</sub>	voltage on pin FS	with respect to SH	0	14	V
V <sub>i(ACM)</sub>	input voltage on pin ACM		-5	+5	V
V <sub>i(PCS)</sub>	input voltage on pin PCS		-5	+5	V
V <sub>i(LVS)</sub>	input voltage on pin LVS		0	5	V
V <sub>i(CSP)</sub>	input voltage on pin CSP		0	5	V
V <sub>i(CSN)</sub>	input voltage on pin CSN		-0.3	+5	V
V <sub>i(CSW)</sub>	input voltage on pin CSW		0	5	V
SR	slew rate	pin SH; repetitive	-4	+4	V/ns
T <sub>amb</sub>	ambient temperature		-25	+80	°C
T <sub>j</sub>	junction temperature		-25	+150	°C
T <sub>stg</sub>	storage temperature		-55	+150	°C
V <sub>ESD</sub>	electrostatic discharge voltage	pin HV	[1] -	1500	V
		pins FS, SH	[1] -	1000	V
		pin GLO	[1] -	< 500	V
		pin GLO	[2] -	150	V

[1] In accordance with the human body model, i.e. equivalent to discharging a 100 pF capacitor through a 1.5 kΩ series resistor.

[2] In accordance with the machine model, i.e. equivalent to discharging a 200 pF capacitor through a 0.75 μH coil and a 10 Ω resistor.

## 10. Thermal characteristics

**Table 5. Thermal characteristics**

Symbol	Parameter	Conditions	Typ	Unit
R <sub>th(j-a)</sub>	thermal resistance from junction to ambient	SO20; in free air	75	K/W

## 11. Characteristics

**Table 6. Characteristics**

$V_{DD} = 13\text{ V}$ ;  $V_{FS} - V_{SH} = 13\text{ V}$ ;  $T_{amb} = 25\text{ °C}$ ; all voltages referenced to GND unless otherwise specified (see application circuits of [Figure 8](#) and [Figure 9](#)).

Symbol	Parameter	Conditions	Min	Typ	Max	Unit
<b>Start-up state: pin V<sub>DD</sub></b>						
V <sub>DD</sub>	supply voltage	for defined driver output; TR1 = off; TR2 = off	-	-	6	V
V <sub>DD(rst)</sub>	reset supply voltage	TR1 = off; TR2 = off	4.5	5.5	7.0	V
V <sub>DD(startup)</sub>	start-up supply voltage	for oscillator	12.4	13.0	13.6	V
V <sub>DD(stop)</sub>	stop supply voltage	for oscillator	8.6	9.1	9.6	V
V <sub>DD(hys)</sub>	hysteresis of supply voltage	for start-stop	3.5	3.9	4.4	V
V <sub>clamp(VDD)</sub>	clamp voltage on pin VDD	Power-down mode	10	11	12	V
I <sub>DD(startup)</sub>	start-up supply current	for oscillator; $V_{DD} < V_{DD(startup)}$	-	170	200	μA
I <sub>DD</sub>	supply current	half-bridge frequency = 40 kHz without gate drive	-	1.5	2.2	mA
I <sub>DD(pd)</sub>	power-down supply current	$V_{DD} = 9\text{ V}$	-	170	200	μA
<b>High voltage supply: pins HV, SH and FS</b>						
V <sub>hs</sub>	high-side supply voltage	$I_{HV} < 30\text{ μA}$ ; $t < 1\text{ s}$	-	-	600	V
I <sub>leak</sub>	leakage current	600 V at high voltage pins	-	-	30	μA
<b>Reference voltage: pin VREF</b>						
V <sub>ref</sub>	reference voltage	$I_{leak} = 10\text{ μA}$	2.86	2.95	3.04	V
$\Delta V_{ref}/V_{ref}$	relative reference voltage variation	$I_{leak} = 10\text{ μA}$ ; $T_{amb} = 25\text{ °C to }150\text{ °C}$	-	-0.64	-	%
I <sub>source</sub>	source current		1	-	-	mA
I <sub>sink</sub>	sink current		1	-	-	mA
Z <sub>o</sub>	output impedance	$I_{leak} = 1\text{ mA source}$	-	3.0	-	Ω
<b>Current supply: pin IREF</b>						
V <sub>I</sub>	input voltage		-	2.5	-	V
I <sub>I</sub>	input current	reference range	65	-	95	μA
<b>Voltage controlled oscillator</b>						
<b>Output: pin CSW</b>						
V <sub>O</sub>	output voltage	for control	2.7	3.0	3.3	V
V <sub>clamp</sub>	clamp voltage	burn state	2.8	3.1	3.4	V
<b>Voltage controlled oscillator output: pin CF</b>						
f <sub>max</sub>	maximum frequency	for bridge; C <sub>CF</sub> = 100 pF	90	100	110	kHz
f <sub>min</sub>	minimum frequency	for bridge; C <sub>CF</sub> = 100 pF	38.9	40.5	42.1	kHz
$\Delta f/f$	relative frequency variation	$T_{amb} = -20\text{ °C to }+80\text{ °C}$	-	1.3	-	%
t <sub>start</sub>	start time	first output oscillator stroke	-	50	-	μs
t <sub>no(min)</sub>	minimum non-overlap time	TR1 to TR2 gate voltages	0.68	0.90	1.13	μs
		TR2 to TR1 gate voltages	0.75	1.00	1.25	μs
t <sub>no(max)</sub>	maximum non-overlap time	f <sub>bridge</sub> = 40 kHz	[1] -	7.5	-	μs

**Table 6. Characteristics ...continued**

$V_{DD} = 13\text{ V}$ ;  $V_{FS} - V_{SH} = 13\text{ V}$ ;  $T_{amb} = 25\text{ °C}$ ; all voltages referenced to GND unless otherwise specified (see application circuits of [Figure 8](#) and [Figure 9](#)).

Symbol	Parameter	Conditions	Min	Typ	Max	Unit
$V_{O(osc)max}$	maximum oscillator output voltage	$f = f_{min}$	-	2.5	-	V
$I_{o(startup)}$	start-up output current	for oscillator; $V_{CF} = 1.5\text{ V}$	3.8	4.5	5.2	$\mu\text{A}$
$I_{osc}$	oscillator current	$V_{CF} = 1.5\text{ V}$	21	-	54	$\mu\text{A}$
<b>Output driver</b>						
Low-side driver output: pin GLO						
$V_{OH}$	HIGH-level output voltage	$I_o = 10\text{ mA}$	12.5	-	-	V
$V_{OL}$	LOW-level output voltage	$I_o = 10\text{ mA}$	-	-	0.5	V
$I_{O(source)}$	output source current	$V_{GLO} = 0\text{ V}$	135	180	235	mA
$I_{sink(o)}$	output sink current	$V_{GLO} = 13\text{ V}$	265	330	415	mA
$R_{on}$	on-state resistance	$I_o = 10\text{ mA}$	32	39	45	$\Omega$
$R_{off}$	off-state resistance	$I_o = 10\text{ mA}$	16	21	26	$\Omega$
<b>Output stage</b>						
Power transistors						
$R_{on}$	on-state resistance	TR1 high-side power	-	-	3	$\Omega$
		TR2 low-side power	-	-	3	$\Omega$
$R_{on(150)}/R_{on(25)}$	on-state resistance ratio (150 °C to 25 °C)		-	2.7	-	-
Floating supply voltage: pin FS						
$V_{FS}$	voltage on pin FS	for lockout	2.8	3.5	4.2	V
$I_{FS}$	current on pin FS	DC level at TR1 gate voltage – $V_{SH} = 13\text{ V}$	-	35	-	$\mu\text{A}$
Bootstrap diode						
$V_{Fd(bs)}$	bootstrap diode forward voltage	$I = 5\text{ mA}$	1.3	1.7	2.1	V
<b>Preheat current sensor</b>						
Input: pin PCS						
$I_I$	input current	$V_{i(PCS)} = 0.6\text{ V}$	-	-	1	$\mu\text{A}$
$V_{ph}$	preheat voltage		0.57	0.60	0.63	V
Output: pin CSW						
$I_{source(o)}$	output source current	$V_{i(CSW)} = 2.0\text{ V}$	9.0	10	11	$\mu\text{A}$
$I_{sink(o)}$	output sink current	$V_{i(CSW)} = 2.0\text{ V}$	-	10	-	$\mu\text{A}$
<b>Adaptive non-overlap and capacitive mode detection; pin ACM</b>						
$I_I$	input current	$V_{i(ACM)} = 0.6\text{ V}$	-	-	1	$\mu\text{A}$
$V_{det(capm)}$	capacitive mode detection voltage	positive	80	100	120	mV
		negative	-68	-85	-102	mV
Input: pin LVS						
$I_I$	input current	$V_{i(LVS)} = 0.81\text{ V}$	-	-	1	$\mu\text{A}$
$V_{lamp(fail)}$	lamp fail voltage		0.77	0.81	0.85	V
$V_{lamp(fail)hys}$	lamp fail voltage hysteresis		119	144	169	mV
$V_{lamp(max)}$	maximum lamp voltage		1.44	1.49	1.54	V

**Table 6. Characteristics ...continued**

$V_{DD} = 13\text{ V}$ ;  $V_{FS} - V_{SH} = 13\text{ V}$ ;  $T_{amb} = 25\text{ }^{\circ}\text{C}$ ; all voltages referenced to GND unless otherwise specified (see application circuits of [Figure 8](#) and [Figure 9](#)).

Symbol	Parameter	Conditions	Min	Typ	Max	Unit
<b>Output: pin CSW</b>						
$I_{\text{sink(o)}}$	output sink current	$V_{i(\text{CSW})} = 2.0\text{ V}$	27	30	33	$\mu\text{A}$
$I_{\text{source(o)}}$	output source current	$V_{i(\text{CSW})} = 2.0\text{ V}$	9.0	10	11	$\mu\text{A}$
<b>Average current sensor</b>						
<b>Input: pins CSP and CSN</b>						
$I_I$	input current	$V_{\text{CS}} = 0\text{ V}$	-	-	1	$\mu\text{A}$
$V_{\text{offset}}$	offset voltage	$V_{i(\text{CSP})} = V_{i(\text{CSN})} = 0\text{ V to }2.5\text{ V}$	-2	0	+2	mV
$g_m$	transconductance	$f = 1\text{ kHz}$	1900	3800	5700	$\mu\text{A/mV}$
<b>Output: pin CSW</b>						
$I_o$	output current	source and sink; $V_{i(\text{CSW})} = 2\text{ V}$	85	95	105	$\mu\text{A}$
<b>Preheat timer; pin CT</b>						
$t_{\text{ph}}$	preheat time	$C_{\text{CT}} = 330\text{ nF}$ ; $R_{\text{IREF}} = 33\text{ k}\Omega$	1.6	1.8	2.0	s
$t_{\text{ign}}$	ignition time	$C_{\text{CT}} = 330\text{ nF}$ ; $R_{\text{IREF}} = 33\text{ k}\Omega$	-	0.32	-	s
$I_o$	output current	$V_{o(\text{CT})} = 2.5\text{ V}$	5.5	5.9	6.3	$\mu\text{A}$
$V_{\text{OL}}$	LOW-level output voltage		-	1.4	-	V
$V_{\text{OH}}$	HIGH-level output voltage		-	3.6	-	V
$V_{\text{hys}}$	hysteresis voltage	for output	2.05	2.20	2.35	V

[1] The maximum non-overlap time is determined by the level of the CF signal. If this signal exceeds a level of 1.25 V, the non-overlap will end, resulting in a maximum non-overlap time of 7.5  $\mu\text{s}$  at a bridge frequency of 40 kHz.

12. Application information

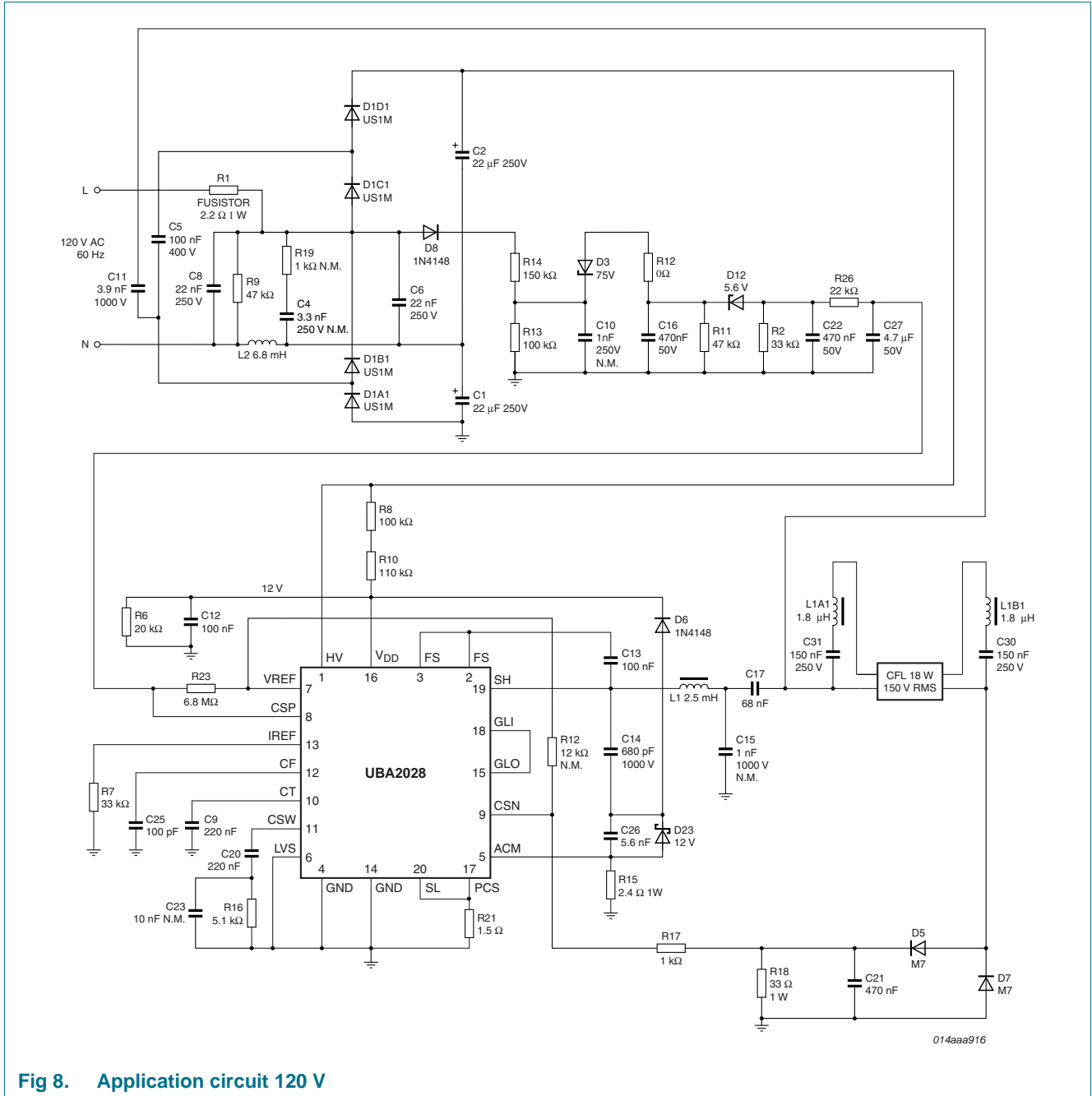


Fig 8. Application circuit 120 V



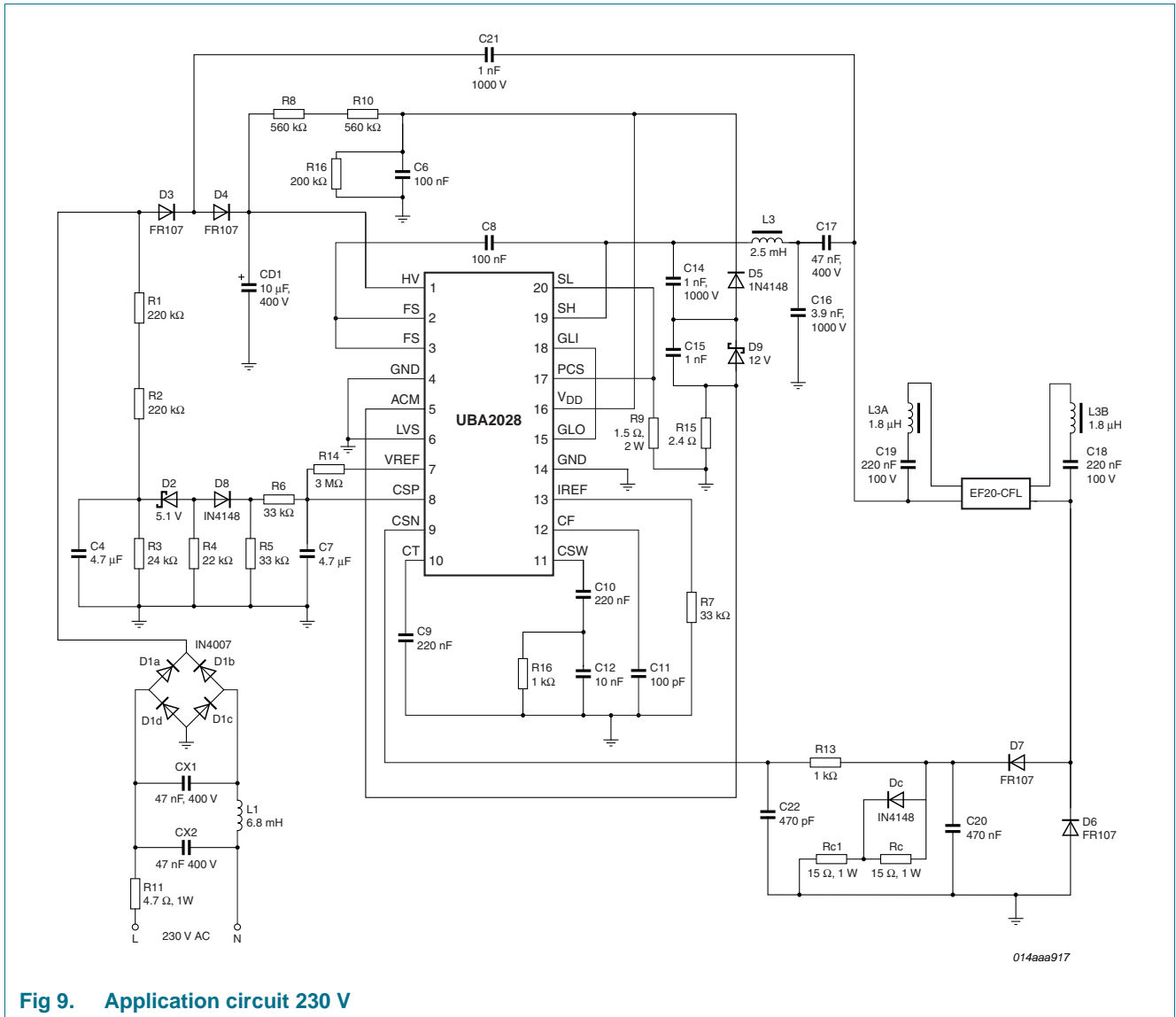


Fig 9. Application circuit 230 V

## 13. Test information

### 13.1 Quality information

#### 13.1.1 Safety: Electric, Magnetic and ElectroMagnetic Fields (EMF)

- NXP Semiconductors manufactures and sells many products, which, like any electronic apparatus, in general may have the ability to emit and receive electromagnetic signals.
- One of NXP Semiconductors' leading business principles is to take health and safety measures for our products, to comply with all applicable legal requirements and to stay well within the EMF standards applicable at the time of printing this document for each individual product.
- NXP Semiconductors aims, at all times, to supply safe products and services.

- The consensus of scientific opinion is that EMF exposure below the limits prescribed by safety standards and recommendations, applicable at the time of printing this document, poses no risk to human health.
- NXP Semiconductors plays an active role in the development of international EMF and safety standards, enabling NXP Semiconductors to anticipate further developments in standardization for early integration in its products.
- Additional information can be obtained from:
  - Institute of Electrical and Electronic Engineers ([www.ieee.org](http://www.ieee.org))
  - Office of Communications ([www.ofcom.org.uk](http://www.ofcom.org.uk))
  - EU pages on EMF and Public Health ([ec.europa.eu/health/index\\_en.htm](http://ec.europa.eu/health/index_en.htm)).

14. Package outline

SO20: plastic small outline package; 20 leads; body width 7.5 mm

SOT163-1

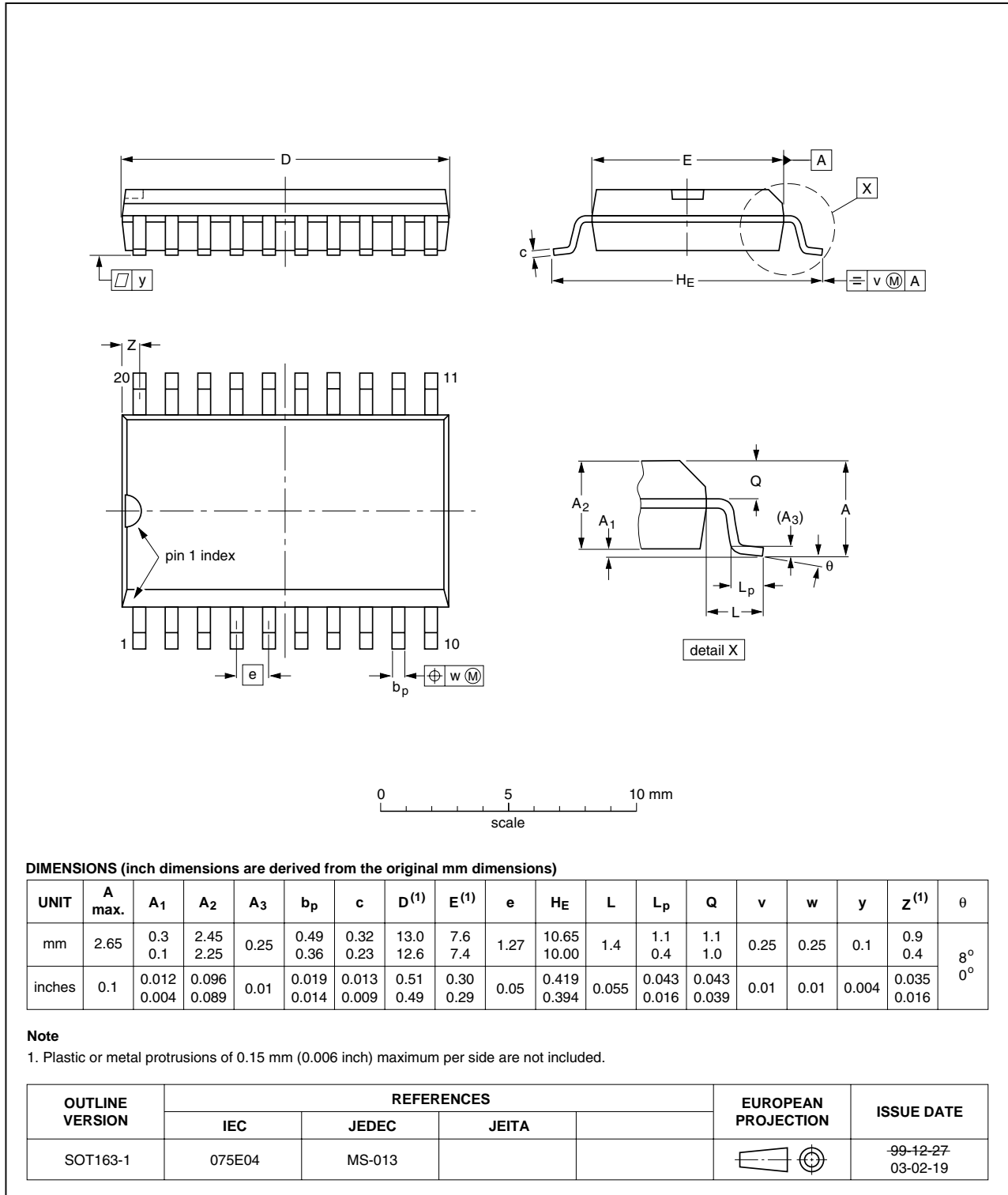


Fig 10. Package outline SOT163-1 (SO20)

## 15. Revision history

Table 7. Revision history

Document ID	Release date	Data sheet status	Change notice	Supersedes
UBA2028 v.2	20100719	Product data sheet	-	UBA2028_1
Modifications:	<ul style="list-style-type: none"><li>• Pinning standardized on <a href="#">Figure 1</a>, <a href="#">Figure 2</a>, <a href="#">Figure 8</a>, and <a href="#">Figure 9</a></li><li>• Symbol for pin 15 changed from GL to GLO in <a href="#">Table 3</a>, <a href="#">Table 4</a> and <a href="#">Table 6</a></li><li>• <a href="#">Section 16 "Legal information"</a> updated.</li></ul>			
UBA2028_1	20091009	Product data sheet	-	-

## 16. Legal information

### 16.1 Data sheet status

Document status <sup>[1][2]</sup>	Product status <sup>[3]</sup>	Definition
Objective [short] data sheet	Development	This document contains data from the objective specification for product development.
Preliminary [short] data sheet	Qualification	This document contains data from the preliminary specification.
Product [short] data sheet	Production	This document contains the product specification.

[1] Please consult the most recently issued document before initiating or completing a design.

[2] The term 'short data sheet' is explained in section "Definitions".

[3] The product status of device(s) described in this document may have changed since this document was published and may differ in case of multiple devices. The latest product status information is available on the Internet at URL <http://www.nxp.com>.

### 16.2 Definitions

**Draft** — The document is a draft version only. The content is still under internal review and subject to formal approval, which may result in modifications or additions. NXP Semiconductors does not give any representations or warranties as to the accuracy or completeness of information included herein and shall have no liability for the consequences of use of such information.

**Short data sheet** — A short data sheet is an extract from a full data sheet with the same product type number(s) and title. A short data sheet is intended for quick reference only and should not be relied upon to contain detailed and full information. For detailed and full information see the relevant full data sheet, which is available on request via the local NXP Semiconductors sales office. In case of any inconsistency or conflict with the short data sheet, the full data sheet shall prevail.

**Product specification** — The information and data provided in a Product data sheet shall define the specification of the product as agreed between NXP Semiconductors and its customer, unless NXP Semiconductors and customer have explicitly agreed otherwise in writing. In no event however, shall an agreement be valid in which the NXP Semiconductors product is deemed to offer functions and qualities beyond those described in the Product data sheet.

### 16.3 Disclaimers

**Limited warranty and liability** — Information in this document is believed to be accurate and reliable. However, NXP Semiconductors does not give any representations or warranties, expressed or implied, as to the accuracy or completeness of such information and shall have no liability for the consequences of use of such information.

In no event shall NXP Semiconductors be liable for any indirect, incidental, punitive, special or consequential damages (including - without limitation - lost profits, lost savings, business interruption, costs related to the removal or replacement of any products or rework charges) whether or not such damages are based on tort (including negligence), warranty, breach of contract or any other legal theory.

Notwithstanding any damages that customer might incur for any reason whatsoever, NXP Semiconductors' aggregate and cumulative liability towards customer for the products described herein shall be limited in accordance with the *Terms and conditions of commercial sale* of NXP Semiconductors.

**Right to make changes** — NXP Semiconductors reserves the right to make changes to information published in this document, including without limitation specifications and product descriptions, at any time and without notice. This document supersedes and replaces all information supplied prior to the publication hereof.

**Suitability for use** — NXP Semiconductors products are not designed, authorized or warranted to be suitable for use in life support, life-critical or safety-critical systems or equipment, nor in applications where failure or

malfunction of an NXP Semiconductors product can reasonably be expected to result in personal injury, death or severe property or environmental damage. NXP Semiconductors accepts no liability for inclusion and/or use of NXP Semiconductors products in such equipment or applications and therefore such inclusion and/or use is at the customer's own risk.

**Applications** — Applications that are described herein for any of these products are for illustrative purposes only. NXP Semiconductors makes no representation or warranty that such applications will be suitable for the specified use without further testing or modification.

Customers are responsible for the design and operation of their applications and products using NXP Semiconductors products, and NXP Semiconductors accepts no liability for any assistance with applications or customer product design. It is customer's sole responsibility to determine whether the NXP Semiconductors product is suitable and fit for the customer's applications and products planned, as well as for the planned application and use of customer's third party customer(s). Customers should provide appropriate design and operating safeguards to minimize the risks associated with their applications and products.

NXP Semiconductors does not accept any liability related to any default, damage, costs or problem which is based on any weakness or default in the customer's applications or products, or the application or use by customer's third party customer(s). Customer is responsible for doing all necessary testing for the customer's applications and products using NXP Semiconductors products in order to avoid a default of the applications and the products or of the application or use by customer's third party customer(s). NXP does not accept any liability in this respect.

**Limiting values** — Stress above one or more limiting values (as defined in the Absolute Maximum Ratings System of IEC 60134) will cause permanent damage to the device. Limiting values are stress ratings only and (proper) operation of the device at these or any other conditions above those given in the Recommended operating conditions section (if present) or the Characteristics sections of this document is not warranted. Constant or repeated exposure to limiting values will permanently and irreversibly affect the quality and reliability of the device.

**Terms and conditions of commercial sale** — NXP Semiconductors products are sold subject to the general terms and conditions of commercial sale, as published at <http://www.nxp.com/profile/terms>, unless otherwise agreed in a valid written individual agreement. In case an individual agreement is concluded only the terms and conditions of the respective agreement shall apply. NXP Semiconductors hereby expressly objects to applying the customer's general terms and conditions with regard to the purchase of NXP Semiconductors products by customer.

**No offer to sell or license** — Nothing in this document may be interpreted or construed as an offer to sell products that is open for acceptance or the grant, conveyance or implication of any license under any copyrights, patents or other industrial or intellectual property rights.

**Export control** — This document as well as the item(s) described herein may be subject to export control regulations. Export might require a prior authorization from national authorities.

**Quick reference data** — The Quick reference data is an extract of the product data given in the Limiting values and Characteristics sections of this document, and as such is not complete, exhaustive or legally binding.

**Non-automotive qualified products** — Unless this data sheet expressly states that this specific NXP Semiconductors product is automotive qualified, the product is not suitable for automotive use. It is neither qualified nor tested in accordance with automotive testing or application requirements. NXP Semiconductors accepts no liability for inclusion and/or use of non-automotive qualified products in automotive equipment or applications.

In the event that customer uses the product for design-in and use in automotive applications to automotive specifications and standards, customer (a) shall use the product without NXP Semiconductors' warranty of the

product for such automotive applications, use and specifications, and (b) whenever customer uses the product for automotive applications beyond NXP Semiconductors' specifications such use shall be solely at customer's own risk, and (c) customer fully indemnifies NXP Semiconductors for any liability, damages or failed product claims resulting from customer design and use of the product for automotive applications beyond NXP Semiconductors' standard warranty and NXP Semiconductors' product specifications.

## 16.4 Trademarks

Notice: All referenced brands, product names, service names and trademarks are the property of their respective owners.

## 17. Contact information

For more information, please visit: <http://www.nxp.com>

For sales office addresses, please send an email to: [salesaddresses@nxp.com](mailto:salesaddresses@nxp.com)

## 18. Contents

<b>1</b>	<b>General description</b> .....	<b>1</b>
<b>2</b>	<b>Features and benefits</b> .....	<b>1</b>
<b>3</b>	<b>Applications</b> .....	<b>1</b>
<b>4</b>	<b>Quick reference data</b> .....	<b>2</b>
<b>5</b>	<b>Ordering information</b> .....	<b>3</b>
<b>6</b>	<b>Block diagram</b> .....	<b>4</b>
<b>7</b>	<b>Pinning information</b> .....	<b>5</b>
7.1	Pinning .....	5
7.2	Pin description .....	5
<b>8</b>	<b>Functional description</b> .....	<b>6</b>
8.1	Start-up state .....	6
8.2	Oscillation .....	6
8.3	Adaptive non-overlap .....	6
8.4	Timing circuit .....	6
8.5	Preheat state .....	7
8.6	Ignition state .....	7
8.7	Burn state .....	7
8.8	Lamp failure mode .....	7
8.8.1	During ignition state .....	7
8.8.2	During burn state .....	7
8.9	Power-down mode .....	8
8.10	Capacitive mode protection .....	8
8.11	Charge coupling .....	8
8.12	Design equations .....	8
8.13	Layout considerations .....	10
<b>9</b>	<b>Limiting values</b> .....	<b>12</b>
<b>10</b>	<b>Thermal characteristics</b> .....	<b>12</b>
<b>11</b>	<b>Characteristics</b> .....	<b>13</b>
<b>12</b>	<b>Application information</b> .....	<b>16</b>
<b>13</b>	<b>Test information</b> .....	<b>17</b>
13.1	Quality information .....	17
13.1.1	Safety: Electric, Magnetic and ElectroMagnetic Fields (EMF) .....	17
<b>14</b>	<b>Package outline</b> .....	<b>19</b>
<b>15</b>	<b>Revision history</b> .....	<b>20</b>
<b>16</b>	<b>Legal information</b> .....	<b>21</b>
16.1	Data sheet status .....	21
16.2	Definitions .....	21
16.3	Disclaimers .....	21
16.4	Trademarks .....	22
<b>17</b>	<b>Contact information</b> .....	<b>22</b>
<b>18</b>	<b>Contents</b> .....	<b>23</b>

Please be aware that important notices concerning this document and the product(s) described herein, have been included in section 'Legal information'.

© NXP B.V. 2010.

All rights reserved.

For more information, please visit: <http://www.nxp.com>

For sales office addresses, please send an email to: [salesaddresses@nxp.com](mailto:salesaddresses@nxp.com)

Date of release: 19 July 2010

Document identifier: UBA2028