



# TSM1013

## Constant Voltage and Constant Current Controller for Battery Chargers and Adaptors

- Constant voltage and constant current control
- Low voltage operation
- Low external component count
- Current sink output stage
- Easy compensation

### VOLTAGE REFERENCE

- Fixed output voltage reference 2.5V
- 0.5% and 1% Voltage precision

### DESCRIPTION

TSM1013 is a highly integrated solution for SMPS applications requiring CV (constant voltage) and CC (constant current) mode.

TSM1013 integrates one voltage reference and two operational amplifiers.

The voltage reference combined with one operational amplifier makes it an ideal voltage controller. The other operational, combined with few external resistors and the voltage reference, can be used as a current limiter.

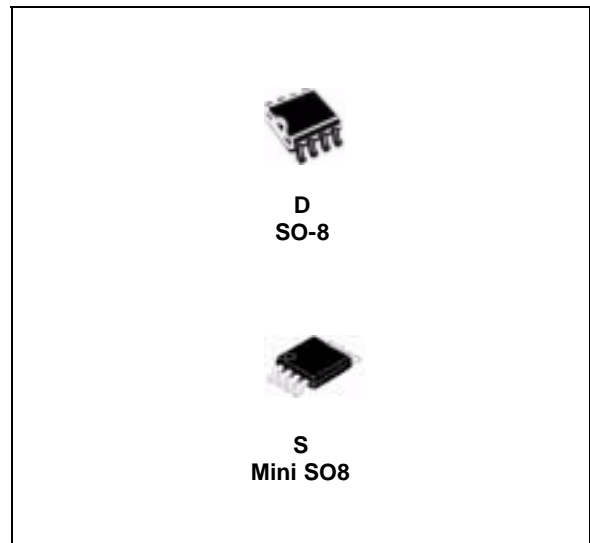
### APPLICATIONS

- Adapters
- Battery Chargers

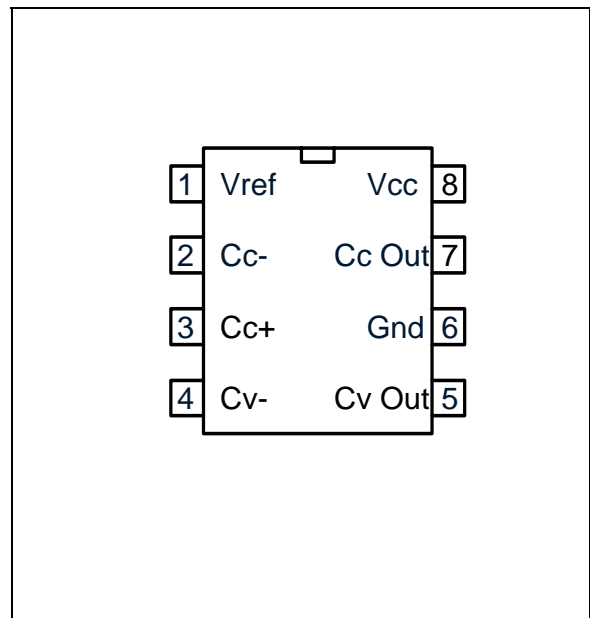
### ORDER CODE

Part Number	Temperature Range	Package		Marking
		S	D	
TSM1013I	0 to 105°C		2	M1013
TSM1013AI	0 to 105°C		2	M1013A
TSM1013I	0 to 105°C	2		M806
TSM1013AI	0 to 105°C	2		M807

Note: S: MiniSO only available in Tape & Reel with T suffix  
D: SO is available in Tube (D) and in Tape & Reel (DT)



### PIN CONNECTIONS (top view)



## 1 PIN DESCRIPTION

### SO8 & Mini SO8 Pinout

Name	Pin #	Type	Function
Vref	1	Analog Output	Voltage Reference
Cc-	2	Analog Input	Input pin of the operational amplifier
Cc+	3	Analog Input	Input pin of the operational amplifier
Cv-	4	Analog Input	Input pin of the operational amplifier
Cv Out	5	Analog Output	Output of the operational amplifier
Gnd	6	Power Supply	Ground Line. 0V Reference For All Voltages
Cc Out	7	Analog Output	Output of the operational amplifier
Vcc	8	Power Supply	Power supply line.

### ABSOLUTE MAXIMUM RATINGS

Symbol	DC Supply Voltage	Value	Unit
Vcc	DC Supply Voltage (50mA =< Icc)	-0.3V to Vz	V
Vi	Input Voltage	-0.3 to Vcc	V
Tstg	Storage temperature	-55 to 150	°C
Tj	Junction temperature	150	°C
Iref	Voltage reference output current	10	mA
ESD	Electrostatic Discharge	2	KV
Rthja	Thermal Resistance Junction to Ambient Mini SO8 package	180	°C/W
Rthja	Thermal Resistance Junction to Ambient SO8 package	175	°C/W

### OPERATING CONDITIONS

Symbol	Parameter	Value	Unit
Vcc	DC Supply Conditions	4.5 to Vz	V
Toper	Operational temperature	0 to 105	°C

## 2 ELECTRICAL CHARACTERISTICS

T<sub>amb</sub> = 25°C and V<sub>cc</sub> = +18V (unless otherwise specified)

Symbol	Parameter	Test Condition	Min.	Typ.	Max.	Unit
<b>Total Current Consumption</b>						
I <sub>cc</sub>	Total Supply Current, excluding current in Voltage Reference.	V <sub>cc</sub> = 18V, no load T <sub>min.</sub> < T <sub>amb</sub> < T <sub>max.</sub>			1	mA
V <sub>z</sub>	V <sub>cc</sub> clamp voltage	I <sub>cc</sub> = 50mA		28		V
<b>Operator 1 : Op-amp with non-inverting input connected to the internal Vref</b>						
V <sub>ref</sub> +V <sub>io</sub>	Input Offset Voltage + Voltage reference TSM1013	T <sub>amb</sub> = 25°C T <sub>min.</sub> ≤ T <sub>amb</sub> ≤ T <sub>max.</sub>		2.5446	2.574 2.575	V
	TSM1013A	T <sub>amb</sub> = 25°C T <sub>min.</sub> ≤ T <sub>amb</sub> ≤ T <sub>max.</sub>		2.545	2.553 2.560	
DV <sub>io</sub>	Input Offset Voltage Drift			7		μV/°C
<b>Operator 2</b>						
V <sub>io</sub>	Input Offset Voltage TSM1013	T <sub>amb</sub> = 25°C T <sub>min.</sub> ≤ T <sub>amb</sub> ≤ T <sub>max.</sub>		1	4 5	mV
	TSM1013A	T <sub>amb</sub> = 25°C T <sub>min.</sub> ≤ T <sub>amb</sub> ≤ T <sub>max.</sub>		0.5	2 3	
DV <sub>io</sub>	Input Offset Voltage Drift			7		μV/°C
I <sub>io</sub>	Input Offset Current	T <sub>amb</sub> = 25°C T <sub>min.</sub> ≤ T <sub>amb</sub> ≤ T <sub>max.</sub>		2	30 50	nA
I <sub>ib</sub>	Input Bias Current	T <sub>amb</sub> = 25°C T <sub>min.</sub> ≤ T <sub>amb</sub> ≤ T <sub>max.</sub>		20 50	150 200	nA
SVR	Supply Voltage Rejection Ratio	V <sub>CC</sub> = 4.5V to 28V	65	100		dB
V <sub>icm</sub>	Input Common Mode Voltage Range		0		V <sub>cc</sub> -1.5	V
CMR	Common Mode Rejection Ratio	T <sub>amb</sub> = 25°C T <sub>min.</sub> ≤ T <sub>amb</sub> ≤ T <sub>max.</sub>	70 60	85		dB
<b>Output stage</b>						
G <sub>m</sub>	Transconductance Gain. Sink Current Only <sup>1</sup>	T <sub>amb</sub> = 25°C T <sub>min.</sub> ≤ T <sub>amb</sub> ≤ T <sub>max.</sub>	1	3.5 2.5		mA/mV
V <sub>ol</sub>	Low level output voltage at 10 mA sinking current			200	600	mV
I <sub>os</sub>	Output Short Circuit Current. Output to V <sub>cc</sub> . Sink Current Only	T <sub>amb</sub> = 25°C T <sub>min.</sub> ≤ T <sub>amb</sub> ≤ T <sub>max.</sub>		27	50	mA
<b>Voltage reference</b>						
V <sub>ref</sub>	Reference Input Voltage, I <sub>load</sub> =1mA TSM1013 1% precision TSM1013A 0.5% precision	T <sub>amb</sub> = 25°C	2.519 2.532	2.545	2.57 2.557	V
ΔV <sub>ref</sub>	Reference Input Voltage Deviation Over Temperature Range	T <sub>min.</sub> ≤ T <sub>amb</sub> ≤ T <sub>max.</sub>		20	30	mV
RegLine	Reference input voltage deviation over V <sub>cc</sub> range.	I <sub>load</sub> = 5mA			20	mV
RegLoad	Reference input voltage deviation over output current.	V <sub>cc</sub> = 18V, 0 < I <sub>load</sub> < 10mA			10	mV

1) The current depends on the difference voltage between the negative and the positive inputs of the amplifier. If the voltage on the minus input is 1mV higher than the positive amplifier, the sinking current at the output OUT will be increased by 3.5mA.

Fig. 1: Internal Schematic

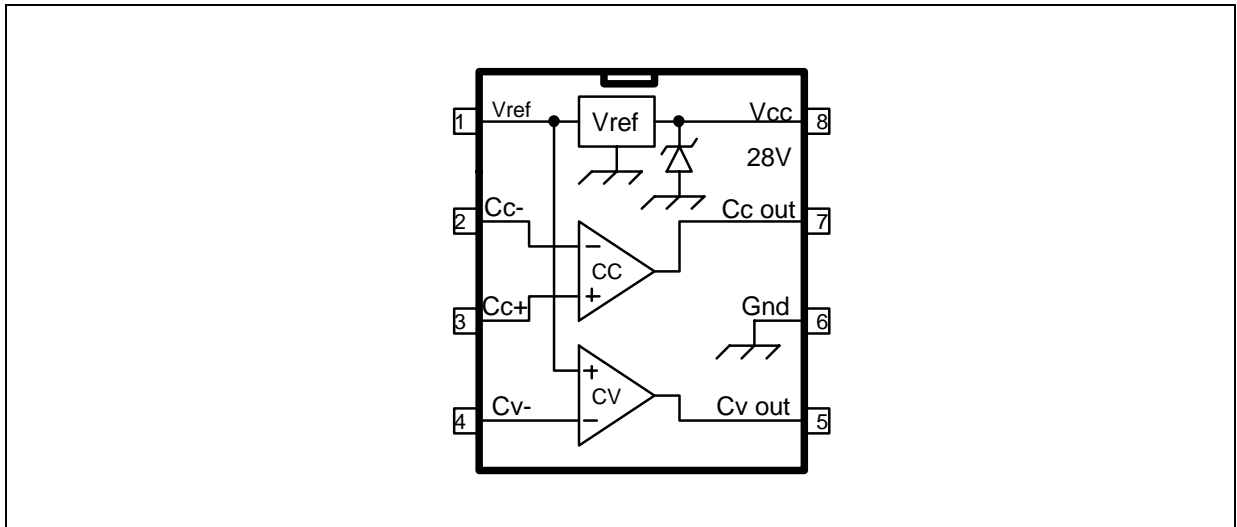
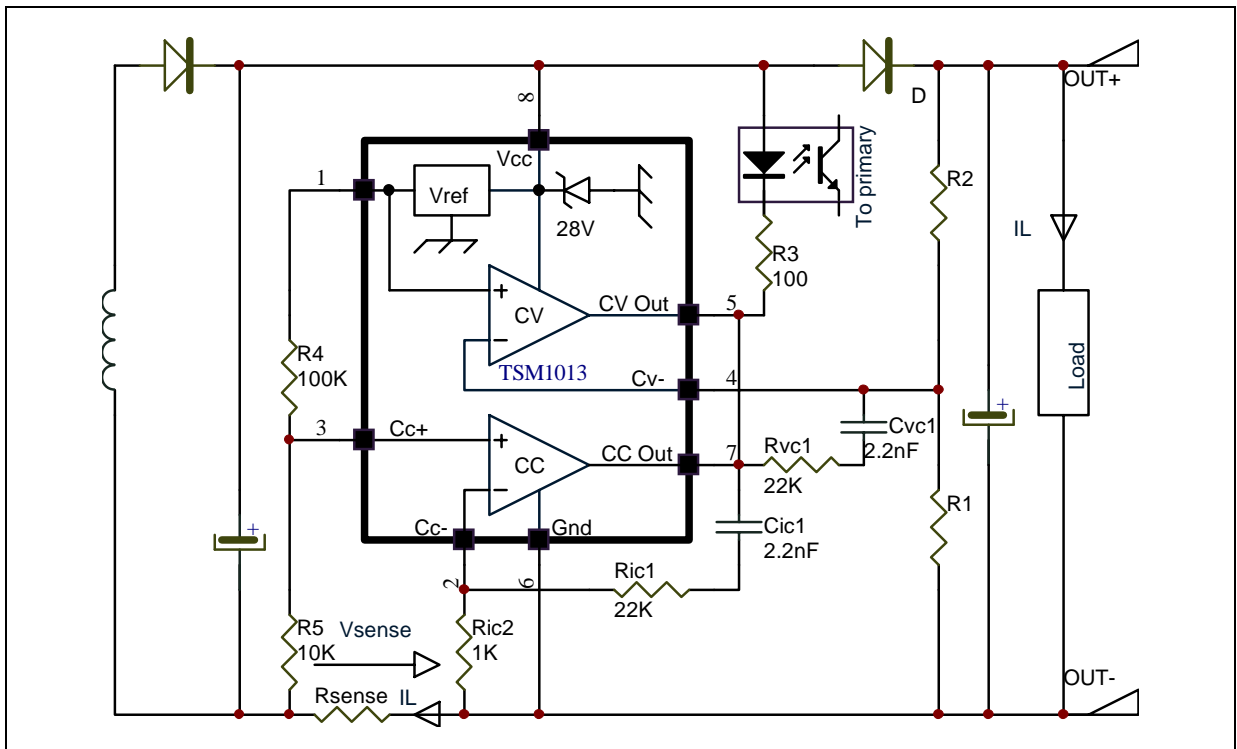


Fig. 2: Typical Adapter Application Using TSM1013



In the above application schematic, the TSM1013 is used on the secondary side of a flyback adapter (or battery charger) to provide an accurate control of voltage and current. The above feedback loop is made with an optocoupler.

## Principle of Operation and Application Hints

### 3 VOLTAGE AND CURRENT CONTROL

#### 3.1 Voltage Control

The voltage loop is controlled via a first transconductance operational amplifier, the resistor bridge R1, R2, and the optocoupler which is directly connected to the output.

The relation between the values of R1 and R2 should be chosen as written in Equation 1.

$$R1 = R2 \times Vref / (Vout - Vref) \quad \text{Equation 1}$$

Where Vout is the desired output voltage.

To avoid the discharge of the load, the resistor bridge R1, R2 should be highly resistive. For this type of application, a total value of 100KΩ (or more) would be appropriate for the resistors R1 and R2.

As an example, with R2 = 100KΩ, Vout = 4.10V, Vref = 2.5V, then R1 = 41.9KΩ.

Note that if the low drop diode should be inserted between the load and the voltage regulation resistor bridge to avoid current flowing from the load through the resistor bridge, this drop should be taken into account in the above calculations by replacing Vout by (Vout + Vdrop).

#### 3.2 Current Control

The current loop is controlled via the second trans-conductance operational amplifier, the sense resistor Rsense, and the optocoupler.

Vsense threshold is achieved externally by a resistor bridge tied to the Vref voltage reference. Its middle point is tied to the positive input of the current control operational amplifier, and its foot is to be connected to lower potential point of the sense resistor as shown on the following figure. The resistors of this bridge are matched to provide the best precision possible

The control equation verifies:

$$Rsense \times Ilim = Vsense \quad \text{Equation 2}$$

$$Vsense = R5 \times Vref / (R4 + R5)$$

$$Ilim = R5 \times Vref / (R4 + R5) \times Rsense \quad \text{Equation 3}$$

where Ilim is the desired limited current, and Vsense is the threshold voltage for the current control loop.

Note that the Rsense resistor should be chosen taking into account the maximum dissipation (Plim) through it during full load operation.

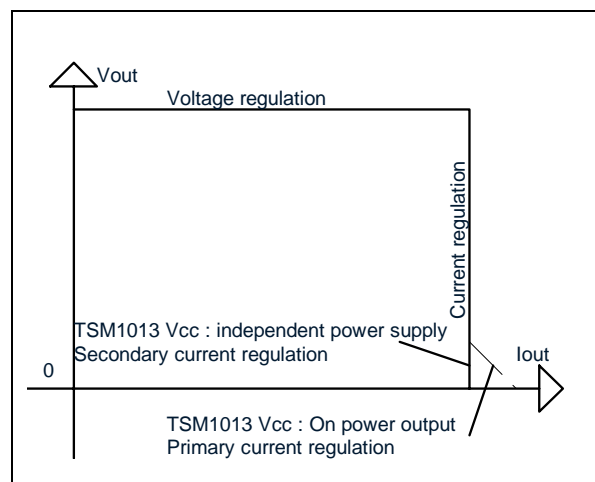
$$Plim = Vsense \times Ilim. \quad \text{Equation 4}$$

Therefore, for most adapter and battery charger applications, a quarter-watt, or half-watt resistor to make the current sensing function is sufficient.

The current sinking outputs of the two trans-conductance operational amplifiers are common (to the output of the IC). This makes an ORing function which ensures that whenever the current or the voltage reaches too high values, the optocoupler is activated.

The relation between the controlled current and the controlled output voltage can be described with a square characteristic as shown in the following V/I output-power graph.

**Fig. 3: Output voltage versus output current**



### 4 COMPENSATION

The voltage-control trans-conductance operational amplifier can be fully compensated. Both of its output and negative input are directly accessible for external compensation components.

An example of a suitable compensation network is shown in Fig.2. It consists of a capacitor  $C_{vc1}=2.2nF$  and a resistor  $R_{cv1}=22K\Omega$  in series.

The current-control trans-conductance operational amplifier can be fully compensated. Both of its output and negative input are directly accessible for external compensation components.

An example of a suitable compensation network is shown in Fig.2. It consists of a capacitor  $C_{ic1}=2.2nF$  and a resistor  $R_{ic1}=22K\Omega$  in series.

**5 START UP AND SHORT CIRCUIT CONDITIONS**

Under start-up or short-circuit conditions the TSM1013 is not provided with a high enough supply voltage. This is due to the fact that the chip has its power supply line in common with the power supply line of the system.

Therefore, the current limitation can only be ensured by the primary PWM module, which should be chosen accordingly.

If the primary current limitation is considered not to be precise enough for the application, then a

sufficient supply for the TSM1013 has to be ensured under any condition. It would then be necessary to add some circuitry to supply the chip with a separate power line. This can be achieved in numerous ways, including an additional winding on the transformer.

**6 VOLTAGE CLAMP**

The following schematic shows how to realise a low-cost power supply for the TSM1013 (with no additional windings). Please pay attention to the fact that in the particular case presented here, this low-cost power supply can reach voltages as high as twice the voltage of the regulated line. Since the Absolute Maximum Rating of the TSM1013 supply voltage is 28V. In the aim to protect the TSM1013 against such high voltage values an internal zener clamp is integrated.

$$R_{limit} = (V_{cc} - V_z) / I_{vz}$$

Fig. 4: Clamp voltage

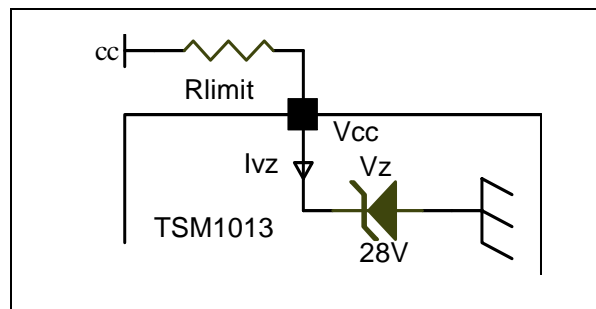
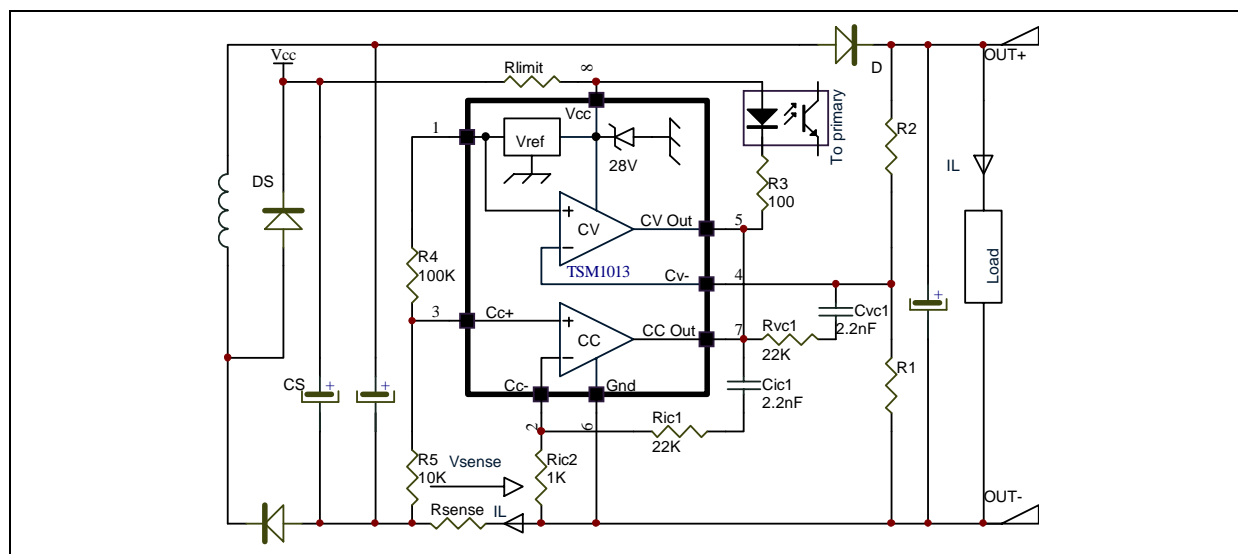


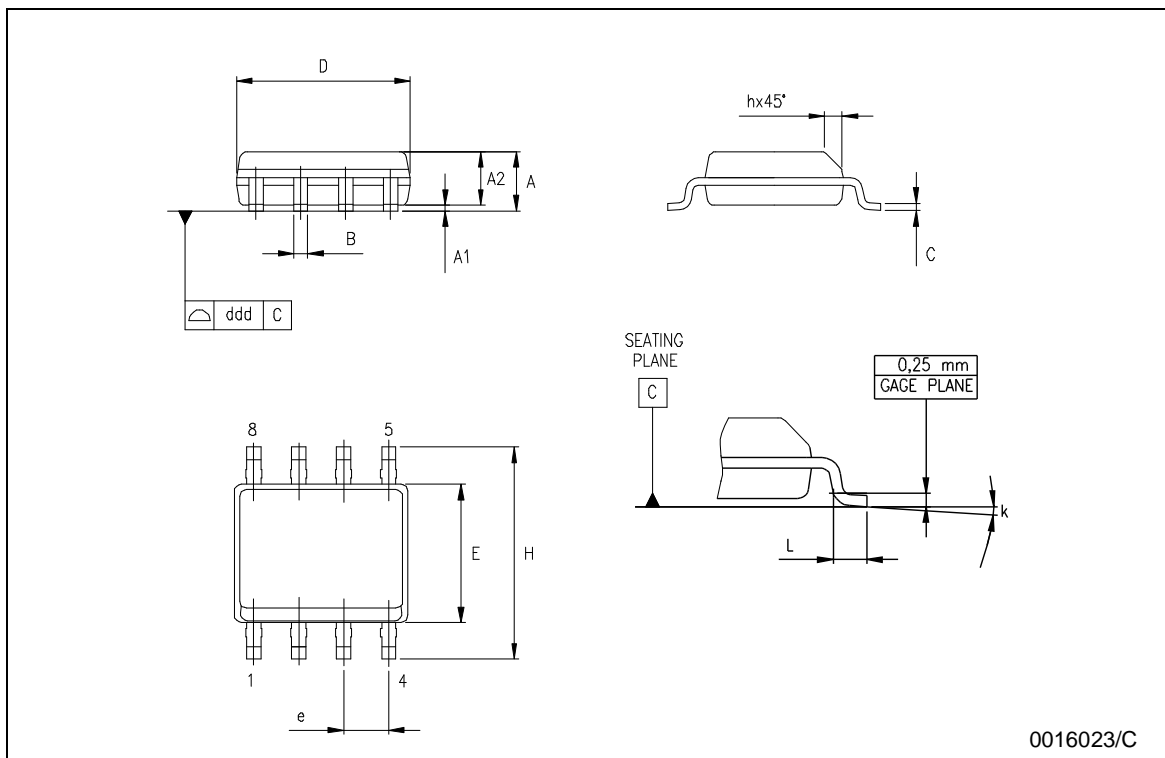
Fig. 5:



7 PACKAGE MECHANICAL DATA

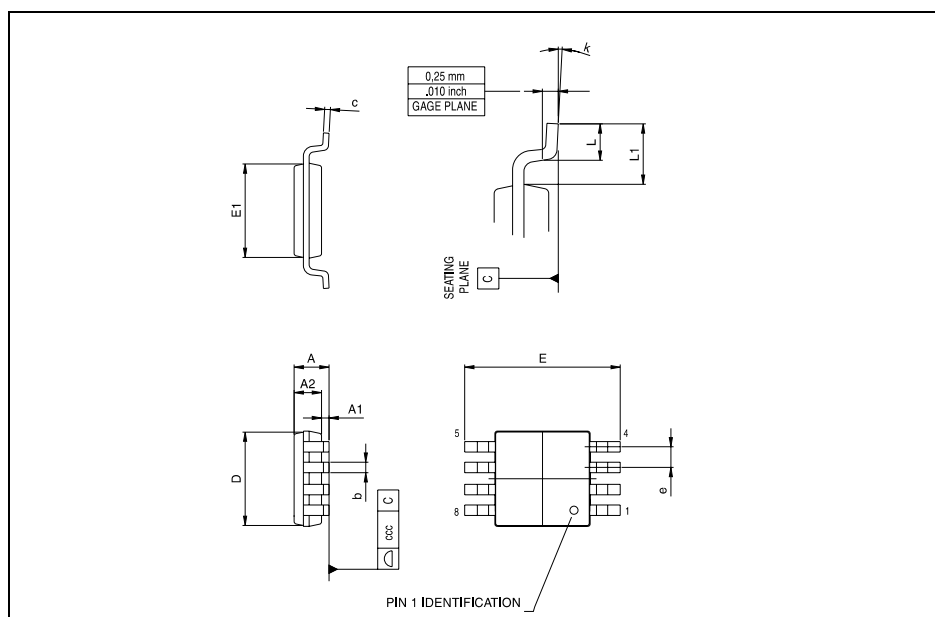
**SO-8 MECHANICAL DATA**

DIM.	mm.			inch		
	MIN.	TYP	MAX.	MIN.	TYP.	MAX.
A	1.35		1.75	0.053		0.069
A1	0.10		0.25	0.04		0.010
A2	1.10		1.65	0.043		0.065
B	0.33		0.51	0.013		0.020
C	0.19		0.25	0.007		0.010
D	4.80		5.00	0.189		0.197
E	3.80		4.00	0.150		0.157
e		1.27			0.050	
H	5.80		6.20	0.228		0.244
h	0.25		0.50	0.010		0.020
L	0.40		1.27	0.016		0.050
k	8° (max.)					
ddd			0.1			0.04



## miniSO-8 MECHANICAL DATA

DIM.	mm.			inch		
	MIN.	TYP	MAX.	MIN.	TYP.	MAX.
A			1.1			0.043
A1	0.05	0.10	0.15	0.002	0.004	0.006
A2	0.78	0.86	0.94	0.031	0.031	0.037
b	0.25	0.33	0.40	0.010	0.13	0.013
c	0.13	0.18	0.23	0.005	0.007	0.009
D	2.90	3.00	3.10	0.114	0.118	0.122
E	4.75	4.90	5.05	0.187	0.193	0.199
E1	2.90	3.00	3.10	.0114	0.118	0.122
e		0.65			0.026	
K	0°		6°	0°		6°
L	0.40	0.55	0.70	0.016	0.022	0.028
L1			0.10			0.004



Information furnished is believed to be accurate and reliable. However, STMicroelectronics assumes no responsibility for the consequences of use of such information nor for any infringement of patents or other rights of third parties which may result from its use. No license is granted by implication or otherwise under any patent or patent rights of STMicroelectronics. Specifications mentioned in this publication are subject to change without notice. This publication supersedes and replaces all information previously supplied. STMicroelectronics products are not authorized for use as critical components in life support devices or systems without express written approval of STMicroelectronics.

The ST logo is a registered trademark of STMicroelectronics  
All other names are the property of their respective owners.

© 2003 STMicroelectronics - All Rights Reserved

**STMicroelectronics GROUP OF COMPANIES**

Australia - Belgium - Brazil - Canada - China - Czech Republic - Finland - France - Germany  
Hong Kong - India - Israel - Italy - Japan - Malaysia - Malta - Morocco - Singapore - Spain  
Sweden - Switzerland - United Kingdom - United States

<http://www.st.com>