

0.65-Ω DUAL SPDT ANALOG SWITCHES WITH NEGATIVE SIGNALING CAPABILITY

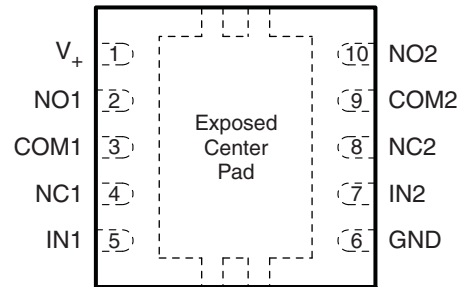
 Check for Samples: [TS5A22362](#), [TS5A22364](#)

FEATURES

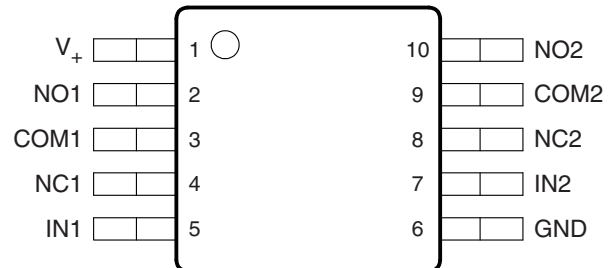
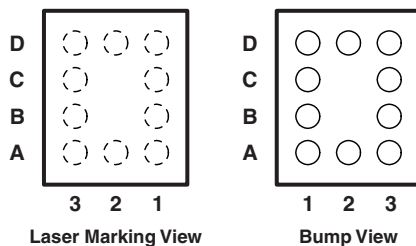
- Specified Break-Before-Make Switching
- Negative Signaling Capability: Maximum Swing From -2.75 V to 2.75 V ($V_+ = 2.75\text{ V}$)
- Internal Shunt Switch Prevents Audible Click-and-Pop When Switching Between Two Sources (TS5A22364)
- Low ON-State Resistance ($0.65\ \Omega$ Typical)
- Low Charge Injection
- Excellent ON-State Resistance Matching
- 2.3-V to 5.5-V Power Supply (V_+)
- Latch-Up Performance Exceeds 100 mA Per JESD 78, Class II
- ESD Performance Tested Per JESD 22
 - 2500-V Human-Body Model (A114-B, Class II)
 - 1500-V Charged-Device Model (C101)
 - 200-V Machine Model (A115-A)

APPLICATIONS

- Cell Phones
- PDAs
- Portable Instrumentation
- Audio Routing
- Medical Imaging

**DRC PACKAGE
(TOP VIEW)**


The exposed center pad, if used, must be connected as a secondary GND or left electrically open.

**DGS PACKAGE
(TOP VIEW)**

YZP PACKAGE

YZP PACKAGE TERMINAL ASSIGNMENTS

D	IN1	GND	IN2
C	NC1		NC2
B	COM1		COM2
A	NO1	V_+	NO2
	3	2	1



Please be aware that an important notice concerning availability, standard warranty, and use in critical applications of Texas Instruments semiconductor products and disclaimers thereto appears at the end of this data sheet.

DESCRIPTION/ORDERING INFORMATION

The TS5A22362 and TS5A22364 are single-pole double-throw (SPDT) analog switches designed to operate from 2.3 V to 5.5 V. The devices feature negative signal capability that allows signals below ground to pass through the switch without distortion. Additionally, the TS5A22364 includes an internal shunt switch, which automatically discharges any capacitance at the NC or NO terminals when they are unconnected to COM. This reduces the audible click/pop noise when switching between two sources. The break-before-make feature prevents signal distortion during the transferring of a signal from one path to another. Low ON-state resistance, excellent channel-to-channel ON-state resistance matching, and minimal total harmonic distortion (THD) performance are ideal for audio applications. The 3x3 mm DRC package is also available as a non-magnetic package for medical imaging application.

ORDERING INFORMATION

T_A	PACKAGE ⁽¹⁾ ⁽²⁾		ORDERABLE PART NUMBER	TOP-SIDE MARKING ⁽³⁾
-40°C to 85°C	NanoFree™ – WCSP (DSBGA) YZP (Pb-free)	Tape and reel	TS5A22362YZPR	392
			TS5A22364YZPR	382
	MSOP (VSSOP) – DGS	Tape and reel	TS5A22362DGSR	39R
			TS5A22364DGSR	38R
	SON – DRC	Tape and reel	TS5A22362DRCR	ZVG
			TS5A22364DRCR	ZVF
TS5A22362DRCT-NM			ZVGNM	

- (1) Package drawings, thermal data, and symbolization are available at www.ti.com/packaging.
- (2) For the most current package and ordering information, see the Package Option Addendum at the end of this document, or see the TI website at www.ti.com.
- (3) YZP: The actual top-side marking has three preceding characters to denote year, month, and sequence code, and one following character to designate the assembly/test site. Pin 1 identifier indicates solder-bump composition (1 = SnPb, • = Pb-free).

SUMMARY OF CHARACTERISTICS

$$V_+ = 2.7 \text{ V}, T_A = 25^\circ\text{C}$$

Configuration	2:1 Multiplexer/Demultiplexer (2 × SPDT)
Number of channels	2
ON-state resistance (r_{on})	0.65 Ω
ON-state resistance match (Δr_{on})	0.023 Ω
ON-state resistance flatness ($r_{on(flat)}$)	0.18 Ω
Turn-on/turn-off time (t_{ON}/t_{OFF})	80 ns/70 ns
Break-before-make time (t_{BBM})	7 ns
Charge injection (Q_C)	150 pC
Bandwidth (BW)	17 MHz
OFF isolation (O_{ISO})	-66 dB at 100 kHz
Crosstalk (X_{TALK})	-75 dB at 100 kHz
Total harmonic distortion (THD)	0.01%
Leakage current ($I_{NO(OFF)}$, $I_{NC(OFF)}$)	50 nA
Package options	10-pin WCSP (YZP), 10-pin VSSOP (DGS), and 10-pin SON (DRC)

FUNCTION TABLE

IN	NC TO COM, COM TO NC	NO TO COM, COM TO NO
L	ON	OFF
H	OFF	ON

APPLICATION BLOCK DIAGRAMS

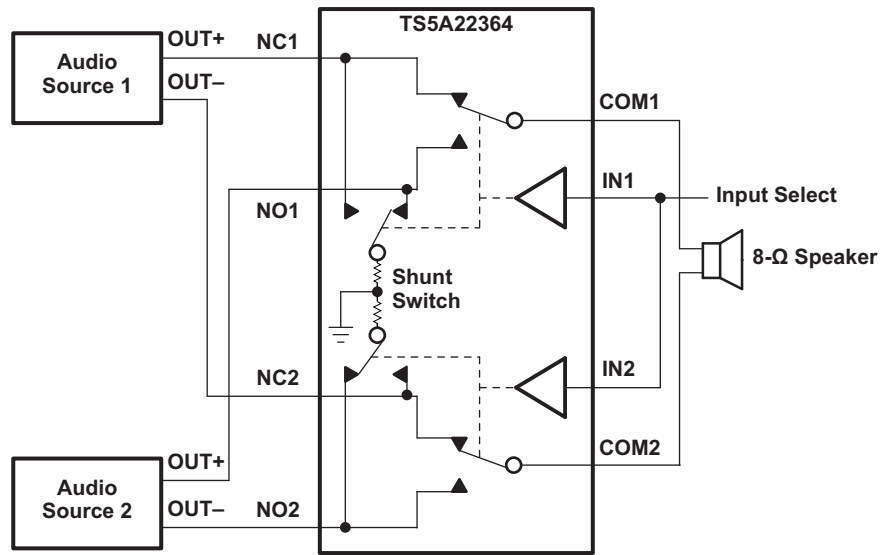


Figure 1. TS5A22364 Application Block Diagram

Shunt Switch (TS5A22364)

The 50-Ω shunt switches on the TS5A22364 automatically discharge any capacitance at the NC or NO terminals when they are unconnected to COM. This reduces audible click-and-pop sounds that occur when switching between audio sources. Audible clicks and pops are caused when a step DC voltage is switched into the speaker. By automatically discharging the side that is not connected, any residual DC voltage is removed, thereby reducing the clicks and pops.

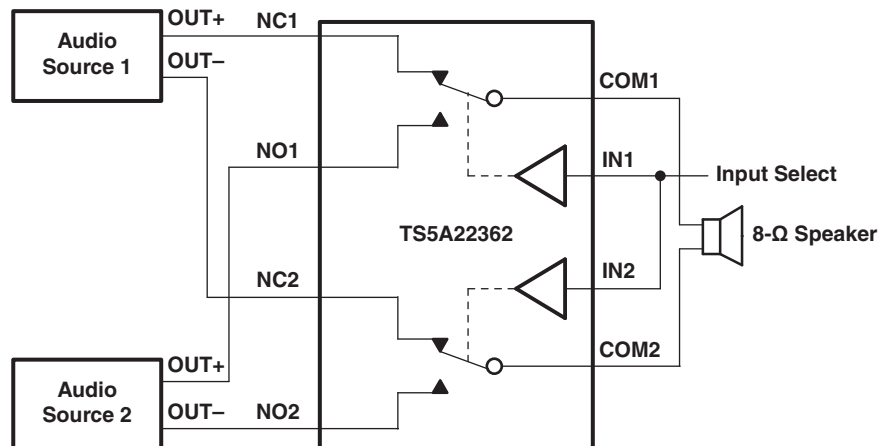


Figure 2. TS5A22362 Application Block Diagram

Negative Signaling Capacity

The TS5A22362 and TS5A22364 dual SPDT switches feature negative signal capability that allows signals below ground to pass through without distortion. These analog switches operate from a single +2.3-V to +5.5-V supply. The input/output signal swing of the device is dependant of the supply voltage V_+ : the devices pass signals as high as V_+ and as low as $V_+ - 5.5$ V, including signals below ground with minimal distortion.

Table 1 shows the input/output signal swing the user can get with different supply voltages.

Table 1. INPUT/OUTPUT SIGNAL SWING

SUPPLY VOLTAGE, V ₊	MINIMUM (V _{NC} , V _{NO} , V _{COM}) = V ₊ – 5.5	MAXIMUM (V _{NC} , V _{NO} , V _{COM}) = V ₊
5.5 V	0 V	5.5 V
4.2 V	–1.3 V	4.2 V
3.3 V	–2.2 V	3.3 V
3 V	–2.5 V	3 V
2.5 V	–3 V	2.5 V

ABSOLUTE MINIMUM AND MAXIMUM RATINGS^{(1) (2)}

over operating free-air temperature range (unless otherwise noted)

		MIN	MAX	UNIT
V ₊	Supply voltage range ⁽³⁾	–0.5	6	V
V _{NC} V _{NO} V _{COM}	Analog voltage range ^{(3) (4) (5)}	V ₊ – 6	V ₊ + 0.5	V
I _{I/O}	Analog port diode current	V _{NC} , V _{NO} , V _{COM} < 0 or V _{NC} , V _{NO} , V _{COM} > V ₊		mA
I _{INC} I _{INO} I _{ICOM}	ON-state switch current	–150	150	mA
	ON-state peak switch current ⁽⁶⁾	–300	300	
V _I	Digital input voltage range	–0.5	6.5	V
I _{IK}	Digital input clamp current ^{(3) (4)}	V _I < 0		mA
I ₊ I _{GND}	Continuous current through V ₊ or GND	–100	100	mA
T _{stg}	Storage temperature range	–65	150	°C

- (1) Stresses above these ratings may cause permanent damage. Exposure to absolute maximum conditions for extended periods may degrade device reliability. These are stress ratings only, and functional operation of the device at these or any other conditions beyond those specified is not implied.
- (2) The algebraic convention, whereby the most negative value is a minimum and the most positive value is a maximum
- (3) All voltages are with respect to ground, unless otherwise specified.
- (4) The input and output voltage ratings may be exceeded if the input and output clamp-current ratings are observed.
- (5) This value is limited to 5.5 V maximum.
- (6) Pulse at 1-ms duration <10% duty cycle

THERMAL IMPEDANCE RATINGS

			UNIT
θ _{JA}	Package thermal impedance ⁽¹⁾	DGS package	56.5
		DRC package	165.36
		YZP package	93

- (1) The package thermal impedance is calculated in accordance with JESD 51-7.

ELECTRICAL CHARACTERISTICS FOR 2.5-V SUPPLY⁽¹⁾
 $V_+ = 2.3 \text{ V to } 2.7 \text{ V}$, $T_A = -40^\circ\text{C to } 85^\circ\text{C}$ (unless otherwise noted)

PARAMETER	SYMBOL	TEST CONDITIONS		T_A	V_+	MIN	TYP	MAX	UNIT
Analog Switch									
Analog signal range	V_{COM}, V_{NO}, V_{NC}					$V_+ - 5.5$		V_+	V
ON-state resistance	r_{on}	V_{NC} or $V_{NO} = V_+, 1.5 \text{ V}$, $V_+ - 5.5 \text{ V}$ $I_{COM} = -100 \text{ mA}$,	COM to NO or NC, See Figure 16	25°C Full	2.7 V		0.65 1.04	0.94	Ω
ON-state resistance match between channels	Δr_{on}	V_{NC} or $V_{NO} = 1.5 \text{ V}$, $I_{COM} = -100 \text{ mA}$,	COM to NO or NC, See Figure 16	25°C Full	2.7 V		0.023 0.15	0.11	Ω
ON-state resistance flatness	$r_{on(Flat)}$	V_{NC} or $V_{NO} = V_+, 1.5 \text{ V}$, $V_+ - 5.5 \text{ V}$ $I_{COM} = -100 \text{ mA}$,	COM to NO or NC, See Figure 16	25°C Full	2.7 V		0.18 0.5	0.46	Ω
Shunt switch resistance (TS5A22364 only)	r_{SH}	I_{NO} or $I_{NC} = 10 \text{ mA}$		Full	2.7 V		25	50	Ω
NC, NO OFF leakage current (TS5A22362 Only)	$I_{NC(OFF)}, I_{NO(OFF)}$	$V_{NC} = 2.25 \text{ V}, V_+ - 5.5 \text{ V}$ $V_{COM} = V_+ - 5.5 \text{ V}, 2.25 \text{ V}$ $V_{NO} = \text{Open}$ COM to NO or $V_{NO} = 2.25 \text{ V}, V_+ - 5.5 \text{ V}$, $V_{COM} = V_+ - 5.5 \text{ V}, 2.25 \text{ V}$ $V_{NC} = \text{Open}$ COM to NC	See Figure 17	25°C Full	2.7	-50 -375		50 375	nA
COM ON leakage current	$I_{COM(ON)}$	V_{NC} and $V_{NO} = \text{Open}$, $V_{COM} = V_+, V_+ - 5.5 \text{ V}$,	See Figure 18	25°C Full	2.7 V	-50 -375		50 375	nA
Digital Control Inputs (IN)⁽²⁾									
Input logic high	V_{IH}			Full		1.4		5.5	V
Input logic low	V_{IL}			Full				0.6	V
Input leakage current	I_{IH}, I_{IL}	$V_{IN} = V_+ \text{ or } 0$		25°C Full	2.7 V	-250 -250		250 250	nA

- (1) The algebraic convention, whereby the most negative value is a minimum and the most positive value is a maximum
 (2) All unused digital inputs of the device must be held at V_+ or GND to ensure proper device operation. Refer to the TI application report, *Implications of Slow or Floating CMOS Inputs*, literature number SCBA004.

ELECTRICAL CHARACTERISTICS FOR 2.5-V SUPPLY⁽¹⁾ (continued)
 $V_+ = 2.3 \text{ V to } 2.7 \text{ V}$, $T_A = -40^\circ\text{C to } 85^\circ\text{C}$ (unless otherwise noted)

PARAMETER	SYMBOL	TEST CONDITIONS	T_A	V_+	MIN	TYP	MAX	UNIT
Dynamic								
Turn-on time	t_{ON}	$V_{COM} = V_+$, $R_L = 300 \Omega$,	$C_L = 35 \text{ pF}$, See Figure 20	25°C	2.5 V	44	80	ns
				Full	2.3 V to 2.7 V		80	
Turn-off time	t_{OFF}	$V_{COM} = V_+$, $R_L = 300 \Omega$,	$C_L = 35 \text{ pF}$, See Figure 20	25°C	2.5 V	22	70	ns
				Full	2.3 V to 2.7 V		70	
Break-before-make time	t_{BBM}	See Figure 21 for TS5A22362 See Figure 22 for TS5A22364		25°C	2.5 V	1	7	ns
Charge injection	Q_C	$V_{GEN} = 0$, $R_{GEN} = 0$,	$C_L = 1 \text{ nF}$, See Figure 26	25°C	2.5 V	150		pC
NC, NO OFF capacitance (TS5A22362 only)	$C_{NC(OFF)}$, $C_{NO(OFF)}$	V_{NC} or $V_{NO} = V_+$ or GND,	See Figure 19	25°C	2.5 V	70		pF
NC, NO, COM ON capacitance	$C_{COM(ON)}$	$V_{COM} = V_+$ or GND, Switch ON, $f = 10 \text{ MHz}$	See Figure 19	25°C	2.5 V	370		pF
Digital input capacitance	C_I	$V_I = V_+$ or GND	See Figure 19	25°C	2.5 V	2.6		pF
Bandwidth	BW	$R_L = 50 \Omega$, -3 dB	See Figure 21	25°C	2.5 V	17		MHz
OFF isolation	O_{ISO}	$R_L = 50 \Omega$	$f = 100 \text{ kHz}$, See Figure 24	25°C	2.5 V	-66		dB
Crosstalk	X_{TALK}	$R_L = 50 \Omega$	$f = 100 \text{ kHz}$, See Figure 25	25°C	2.5 V	-75		dB
Total harmonic distortion	THD	$R_L = 600 \Omega$, $C_L = 15 \text{ pF}$,	$f = 20 \text{ Hz to } 20 \text{ kHz}$, See Figure 27	25°C	2.5 V	0.01		%
Supply								
Positive supply current	I_+	$V_I = V_+$ or GND	25°C	2.7 V	0.2	1.1		μA
			Full			1.3		
Positive supply current	I_+	$V_I = V_+ - 5.5 \text{ V}$	Full	2.7 V			3.3	μA

ELECTRICAL CHARACTERISTICS FOR 3.3-V SUPPLY⁽¹⁾
 $V_+ = 3\text{ V to }3.6\text{ V}$, $T_A = -40^\circ\text{C to }85^\circ\text{C}$ (unless otherwise noted)

PARAMETER	SYMBOL	TEST CONDITIONS	T_A	V_+	MIN	TYP	MAX	UNIT
Analog Switch								
Analog signal range	V_{COM}, V_{NO}, V_{NC}				$V_+ - 5.5$		V_+	V
ON-state resistance	r_{on}	V_{NC} or $V_{NO} \leq V_+$, 1.5 V, $V_+ - 5.5\text{ V}$, $I_{COM} = -100\text{ mA}$,	COM to NO or NC, See Figure 16	25°C	3 V		0.61 0.87	Ω
				Full			0.97	
ON-state resistance match between channels	Δr_{on}	V_{NC} or $V_{NO} = 1.5\text{ V}$, $I_{COM} = -100\text{ mA}$,	COM to NO or NC, See Figure 16	25°C	3 V		0.024 0.13	Ω
				Full			0.13	
ON-state resistance flatness	$r_{on(flat)}$	V_{NC} or $V_{NO} \leq V_+$, 1.5 V, $V_+ - 5.5\text{ V}$, $I_{COM} = -100\text{ mA}$,	COM to NO or NC, See Figure 16	25°C	3 V		0.12 0.46	Ω
				Full			0.5	
Shunt switch resistance (TS5A22364 only)	r_{SH}	I_{NO} or $I_{NC} = 10\text{ mA}$	Full	3 V		25	37	Ω
NC, NO OFF leakage current (TS5A22362 only)	$I_{NC(OFF)}, I_{NO(OFF)}$	$V_{NC} = 3\text{ V}, V_+ - 5.5\text{ V}$ $V_{COM} = V_+ - 5.5\text{ V}, 3\text{ V}$ $V_{NO} = \text{Open}$ COM to NO or $V_{NO} = 3\text{ V}, V_+ - 5.5\text{ V}$, $V_{COM} = V_+ - 5.5\text{ V}, 3\text{ V}$ $V_{NC} = \text{Open}$ COM to NC	See Figure 17	25°C	3.6 V		-50 50	nA
				Full			-375 375	
COM ON leakage current	$I_{COM(ON)}$	V_{NC} and $V_{NO} = \text{Open}$, $V_{COM} = V_+, V_+ - 5.5\text{ V}$,	COM to NO or NC, See Figure 18	25°C	3.6 V		-50 50	nA
				Full			-375 375	
Digital Control Inputs (IN)⁽²⁾								
Input logic high	V_{IH}		Full		1.4		5.5	V
Input logic low	V_{IL}		Full				0.8	V
Input leakage current	I_{IH}, I_{IL}	$V_{IN} = V_+ \text{ or } 0$	25°C	3.6 V		-250	250	nA
			Full			-250	250	

(1) The algebraic convention, whereby the most negative value is a minimum and the most positive value is a maximum

(2) All unused digital inputs of the device must be held at V_+ or GND to ensure proper device operation. Refer to the TI application report, *Implications of Slow or Floating CMOS Inputs*, literature number SCBA004.

ELECTRICAL CHARACTERISTICS FOR 3.3-V SUPPLY⁽¹⁾ (continued)
 $V_+ = 3\text{ V to }3.6\text{ V}$, $T_A = -40^\circ\text{C to }85^\circ\text{C}$ (unless otherwise noted)

PARAMETER	SYMBOL	TEST CONDITIONS	T_A	V_+	MIN	TYP	MAX	UNIT
Dynamic								
Turn-on time	t_{ON}	$V_{COM} = V_+$, $R_L = 300\ \Omega$, $C_L = 35\text{ pF}$, See Figure 20	25°C	3.3 V		34	80	ns
			Full	3 V to 3.6 V			80	
Turn-off time	t_{OFF}	$V_{COM} = V_+$, $R_L = 300\ \Omega$, $C_L = 35\text{ pF}$, See Figure 20	25°C	3.3 V		19	70	ns
			Full	3 V to 3.6 V			70	
Break-before-make time	t_{BBM}	See Figure 21 for TS5A22362 See Figure 22 for TS5A22364	25°C	3.3 V	1	7		ns
Charge injection	Q_C	$V_{GEN} = 0$, $R_{GEN} = 0$, $C_L = 1\text{ nF}$, See Figure 26	25°C	3.3 V		150		pC
NC, NO OFF capacitance (TS5A22362 only)	$C_{NC(OFF)}$, $C_{NO(OFF)}$	V_{NC} or $V_{NO} = V_+$ or $V_+ - 5.5\text{ V}$, See Figure 19	25°C	3.3 V		70		pF
NC, NO, COM ON capacitance	$C_{COM(ON)}$	$V_{COM} = V_+$ or GND, $f = 10\text{ MHz}$, See Figure 19	25°C	3.3 V		370		pF
Digital input capacitance	C_I	$V_I = V_+$ or GND, See Figure 19	25°C	3.3 V		2.6		pF
Bandwidth	BW	$R_L = 50\ \Omega$, -3 dB, Switch ON, See Figure 21	25°C	3.3 V		17.5		MHz
OFF isolation	O_{ISO}	$R_L = 50\ \Omega$, $f = 100\text{ kHz}$, See Figure 24	25°C	3.3 V		-68		dB
Crosstalk	X_{TALK}	$R_L = 50\ \Omega$, $f = 100\text{ kHz}$, See Figure 25	25°C	3.3 V		-76		dB
Total harmonic distortion	THD	$R_L = 600\ \Omega$, $C_L = 15\text{ pF}$, $f = 20\text{ Hz to }20\text{ kHz}$, See Figure 27	25°C	3.3 V		0.008		%
Supply								
Positive supply current	I_+	$V_I = V_+$ or GND, $V_I = V_+ - 5.5\text{ V}$	25°C	3.6 V		0.1	1.2	μA
			Full				1.3	
			Full	3.6 V			3.4	μA

ELECTRICAL CHARACTERISTICS FOR 5-V SUPPLY⁽¹⁾
 $V_+ = 4.5\text{ V to }5.5\text{ V}$, $T_A = -40^\circ\text{C to }85^\circ\text{C}$ (unless otherwise noted)

PARAMETER	SYMBOL	TEST CONDITIONS	T_A	V_+	MIN	TYP	MAX	UNIT
Analog Switch								
Analog signal range	V_{COM}, V_{NO}, V_{NC}				$V_+ - 5.5$		V_+	V
ON-state resistance	r_{on}	V_{NC} or $V_{NO} = V_+, 1.6\text{ V}$, $V_+ = -5.5\text{ V}$, $I_{COM} = -100\text{ mA}$,	COM to NO or NC, See Figure 16	25°C Full	4.5 V	0.52	0.74 0.83	Ω
ON-state resistance match between channels	Δr_{on}	V_{NC} or $V_{NO} = 1.6\text{ V}$, $I_{COM} = -100\text{ mA}$,	COM to NO or NC, See Figure 16	25°C Full	4.5 V	0.04	0.23 0.30	Ω
ON-state resistance flatness	$r_{on(Flat)}$	V_{NC} or $V_{NO} = V_+, 1.6\text{ V}$, $V_+ = -5.5\text{ V}$, $I_{COM} = -100\text{ mA}$,	COM to NO or NC, See Figure 16	25°C Full	4.5 V	0.076	0.46 0.5	Ω
Shunt switch resistance (TS5A22364 only)	r_{SH}	I_{NO} or $I_{NC} = 10\text{ mA}$		Full	4.5 V	16	36	Ω
NC, NO OFF leakage current	$I_{NC(OFF)}, I_{NO(OFF)}$	$V_{NC} = 4.5\text{ V}, V_+ = 5.5\text{ V}$ $V_{COM} = V_+ - 5.5\text{ V}, 4.5\text{ V}$ $V_{NO} = \text{Open}$ COM to NO or $V_{NO} = 4.5\text{ V}, V_+ = 5.5\text{ V}$, $V_{COM} = V_+ - 5.5\text{ V}, 4.5\text{ V}$ $V_{NC} = \text{Open}$ COM to NC	See Figure 17	25°C Full	5.5 V	-50 -375	50 375	nA
COM ON leakage current	$I_{COM(ON)}$	V_{NC} and $V_{NO} = \text{Open}$, $V_{COM} = V_+, V_+ - 5.5\text{ V}$,	See Figure 18	25°C Full	5.5 V	-50 -375	50 375	nA
Digital Control Inputs (IN)⁽²⁾								
Input logic high	V_{IH}			Full		2.4	5.5	V
Input logic low	V_{IL}			Full			0.8	V
Input leakage current	I_{IH}, I_{IL}	$V_{IN} = V_+ \text{ or } 0$		25°C Full	5.5 V	-250 -250	250 250	nA

(1) The algebraic convention, whereby the most negative value is a minimum and the most positive value is a maximum

(2) All unused digital inputs of the device must be held at V_+ or GND to ensure proper device operation. Refer to the TI application report, *Implications of Slow or Floating CMOS Inputs*, literature number SCBA004.

ELECTRICAL CHARACTERISTICS FOR 5-V SUPPLY⁽¹⁾ (continued)
 $V_+ = 4.5\text{ V to }5.5\text{ V}$, $T_A = -40^\circ\text{C to }85^\circ\text{C}$ (unless otherwise noted)

PARAMETER	SYMBOL	TEST CONDITIONS	T_A	V_+	MIN	TYP	MAX	UNIT
Dynamic								
Turn-on time	t_{ON}	$V_{COM} = V_+$, $R_L = 300\ \Omega$,	$C_L = 35\text{ pF}$, See Figure 20	25°C	5 V	27	80	ns
				Full	4.5 V to 5.5 V		80	
Turn-off time	t_{OFF}	$V_{COM} = V_+$, $R_L = 300\ \Omega$,	$C_L = 35\text{ pF}$, See Figure 20	25°C	5 V	13	70	ns
				Full	4.5 V to 5.5 V		70	
Break-before-make time	t_{BBM}	$V_{NC} = V_{NO} = V_+/2$ $R_L = 300\ \Omega$,	$C_L = 35\text{ pF}$, See Figure 21	25°C	5 V	1	3.5	ns
Charge injection	Q_C	$V_{GEN} = 0$, $R_{GEN} = 0$,	$C_L = 1\text{ nF}$, See Figure 26	25°C	5 V		10	pC
NC, NO OFF capacitance (TS5A22362 only)	$C_{NC(OFF)}$, $C_{NO(OFF)}$	V_{NC} or $V_{NO} = V_+$ or $V_+ - 5.5\text{ V}$,	See Figure 19	25°C	5 V		70	pF
NC, NO, COM ON capacitance	$C_{COM(ON)}$	$V_{COM} = V_+$ or GND,	See Figure 19	25°C	5 V		370	pF
Digital input capacitance	C_I	$V_I = V_+$ or GND	See Figure 19	25°C	5 V		2.6	pF
Bandwidth	BW	$R_L = 50\ \Omega$,	See Figure 21	25°C	5 V		18.3	MHz
OFF isolation	O_{ISO}	$R_L = 50\ \Omega$,	$f = 100\text{ kHz}$, See Figure 24	25°C	5 V		-70	dB
Crosstalk	X_{TALK}	$R_L = 50\ \Omega$,	$f = 100\text{ kHz}$, See Figure 25	25°C	5 V		-78	dB
Total harmonic distortion	THD	$R_L = 600\ \Omega$, $C_L = 15\text{ pF}$,	$f = 20\text{ Hz to }20\text{ kHz}$, See Figure 27	25°C	5 V		0.009	%
Supply								
Positive supply current	I_+	$V_I = V_+$ or GND		25°C	5.5 V	0.2	1.3	μA
				Full			3.5	
				Full			5	

TYPICAL PERFORMANCE

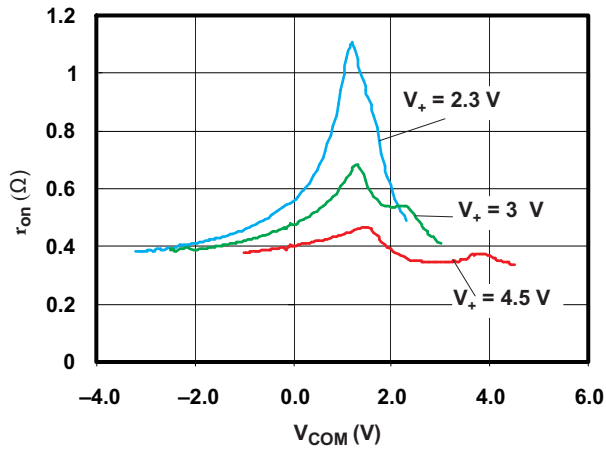


Figure 3. r_{on} vs V_{COM}

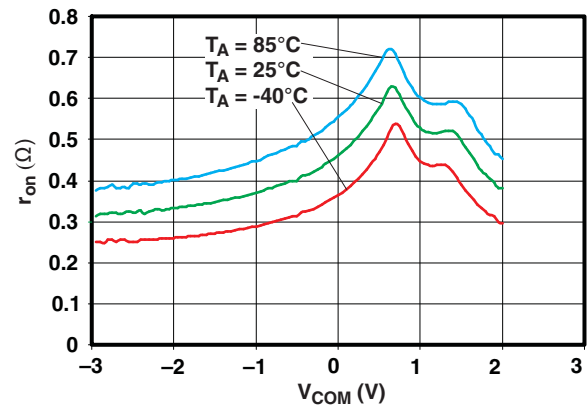


Figure 4. r_{on} vs V_{COM} ($V_+ = 2.7$ V)

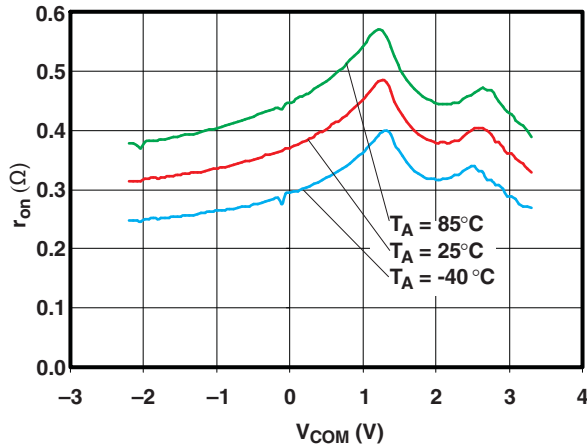


Figure 5. r_{on} vs V_{COM} ($V_+ = 3.3$ V)

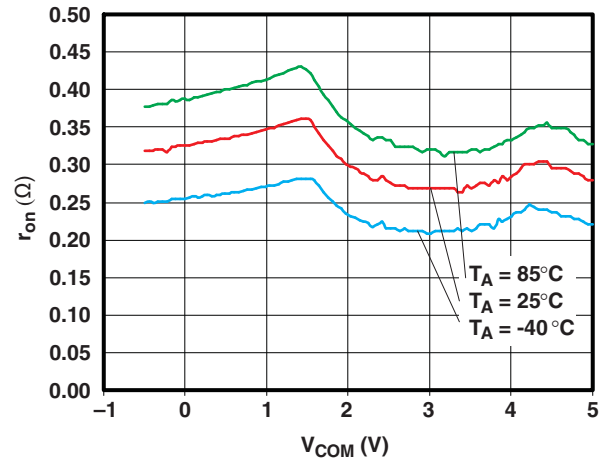


Figure 6. r_{on} vs V_{COM} ($V_+ = 5$ V)

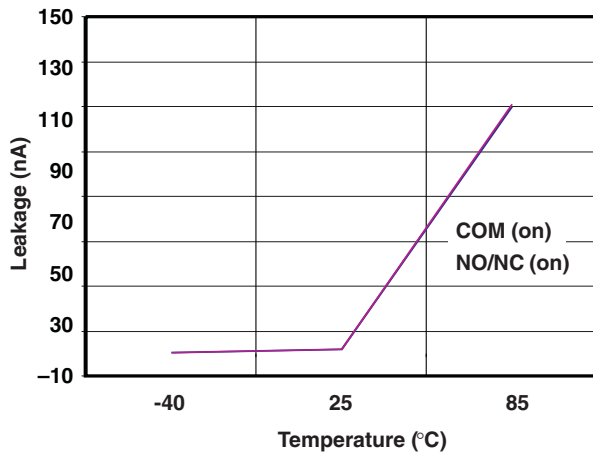


Figure 7. Leakage Current vs Temperature

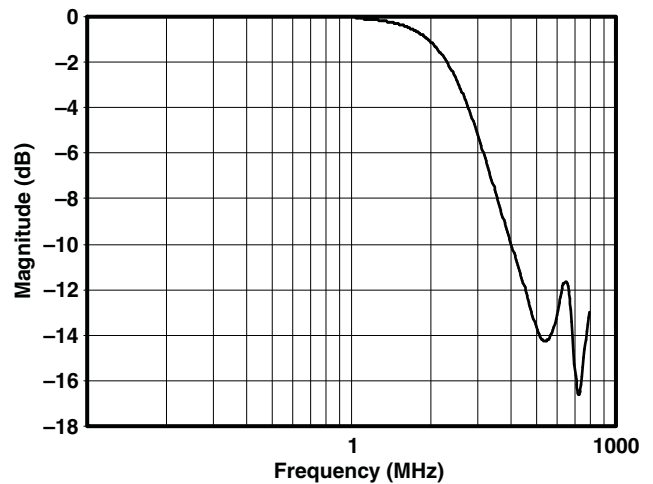


Figure 8. Insertion Loss

TYPICAL PERFORMANCE (continued)

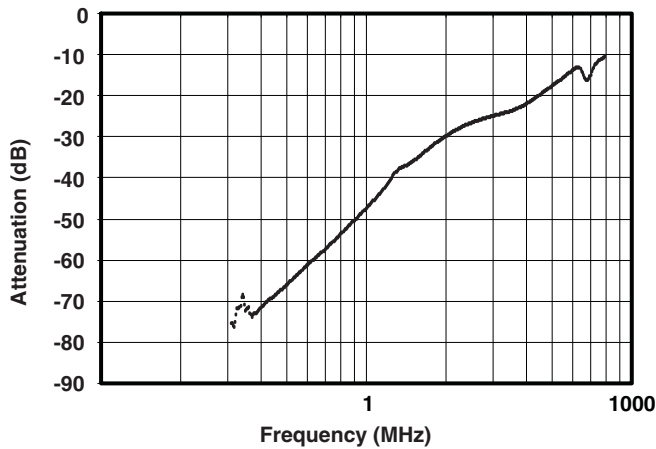


Figure 9. OFF Isolation vs Frequency

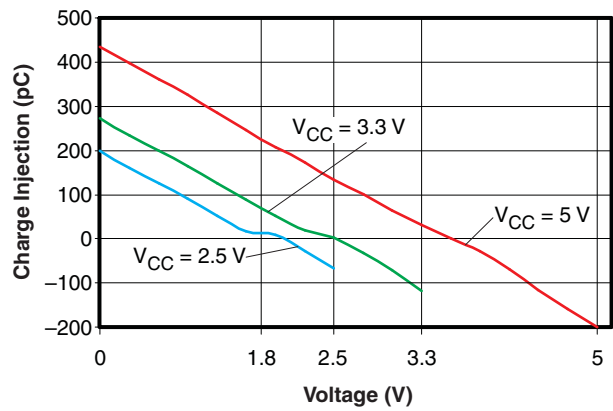


Figure 10. Charge Injection (Q_C) vs V_{COM}

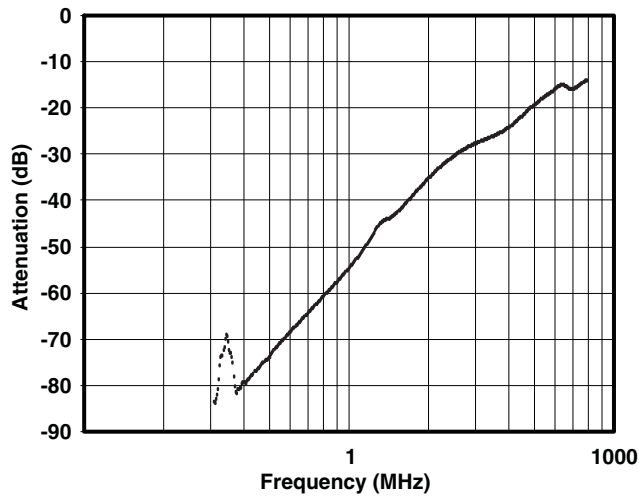


Figure 11. Crosstalk ($V_+ = 3.3\text{ V}$)

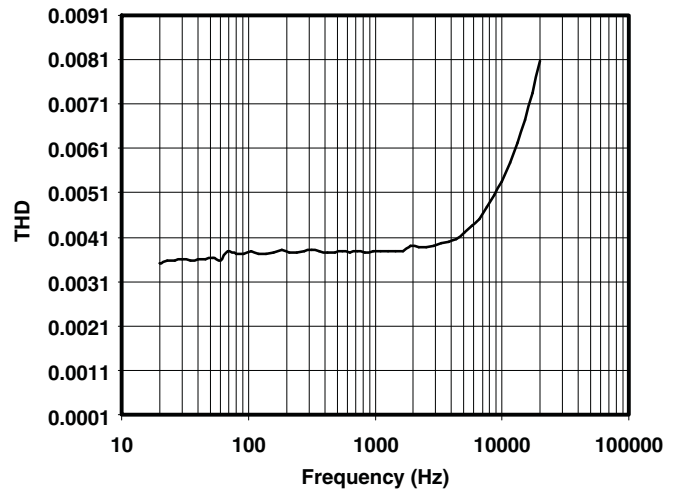


Figure 12. Total Harmonic Distortion vs Frequency

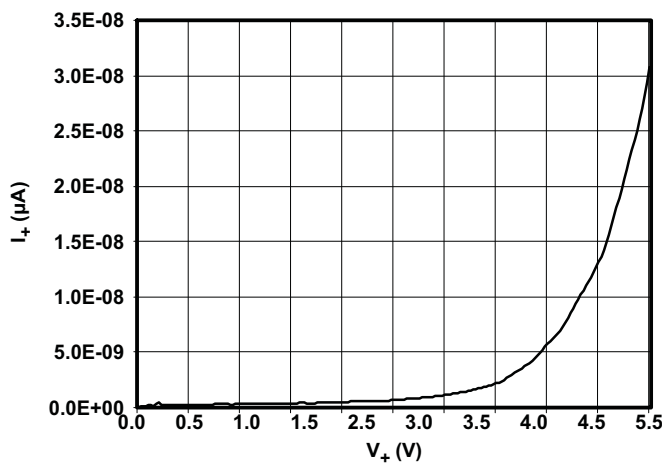


Figure 13. Power-Supply Current vs V_+

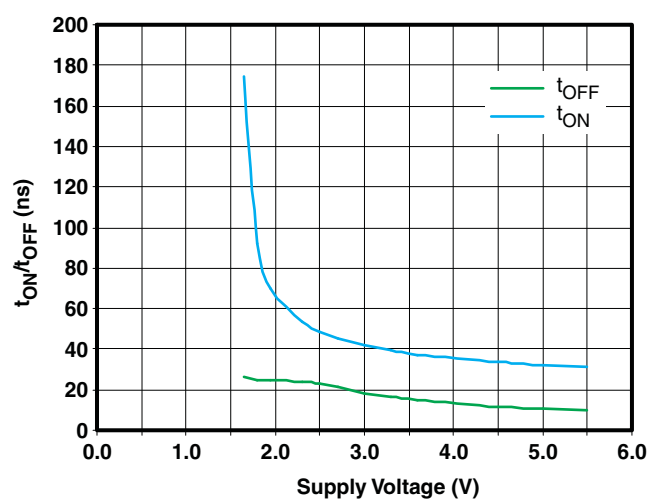


Figure 14. t_{ON} and t_{OFF} vs Supply Voltage

TYPICAL PERFORMANCE (continued)

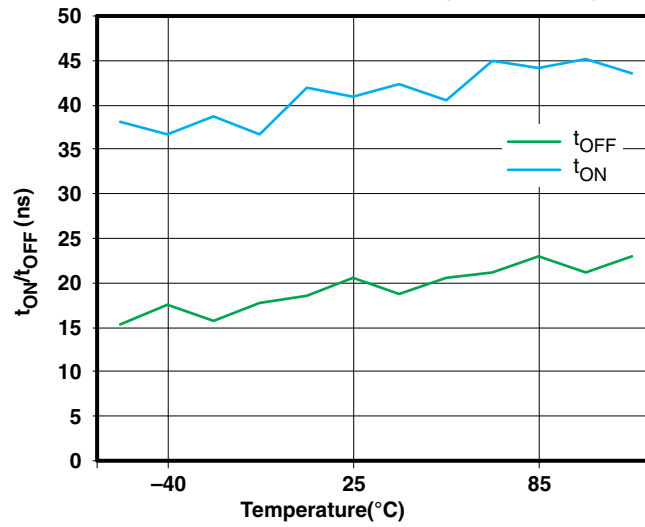


Figure 15. t_{ON} and t_{OFF} vs Temperature (2.5-V Supply)

PARAMETER MEASUREMENT INFORMATION

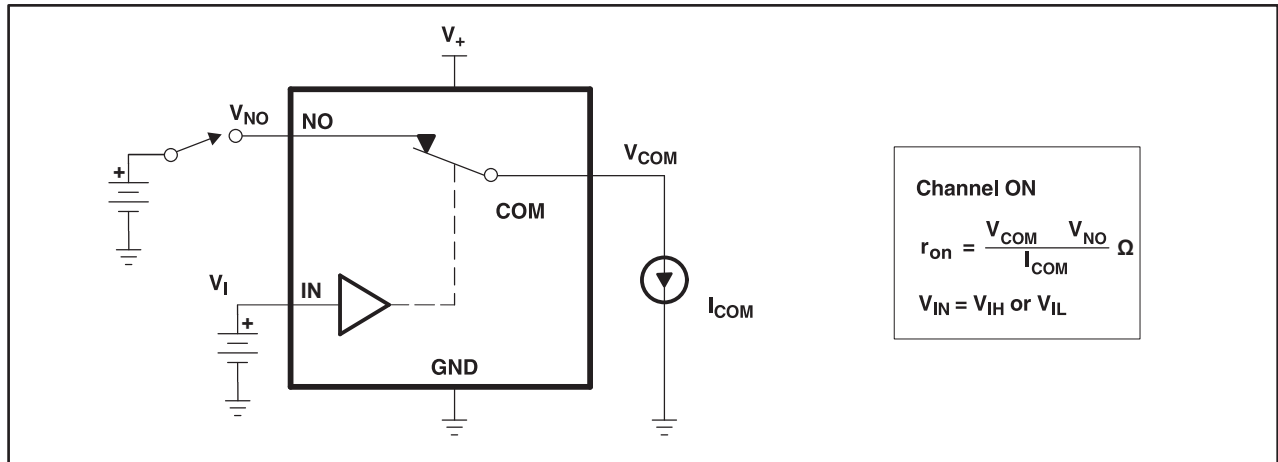


Figure 16. ON-State Resistance (r_{ON})

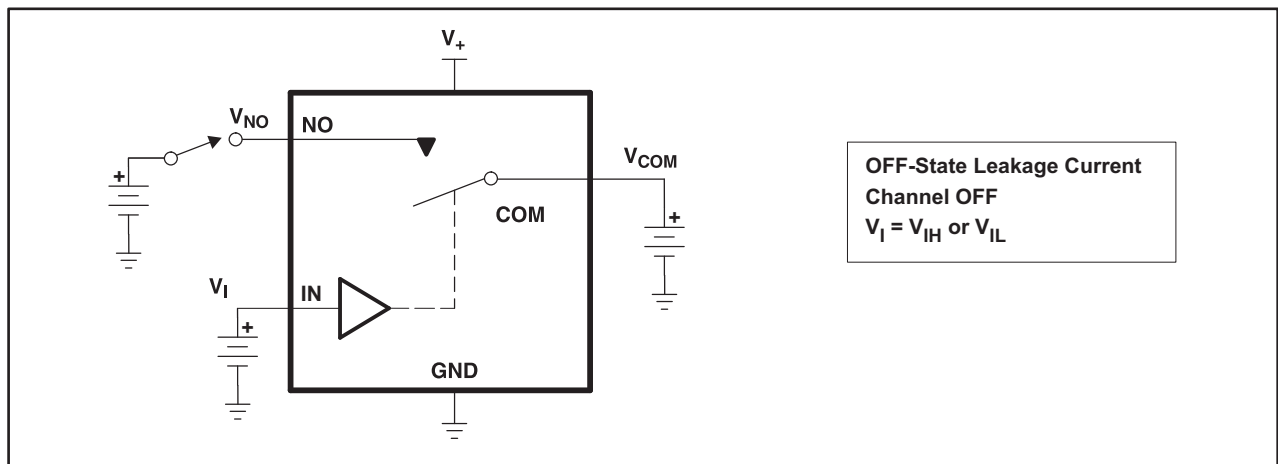


Figure 17. OFF-State Leakage Current ($I_{COM(OFF)}$, $I_{NO(OFF)}$)

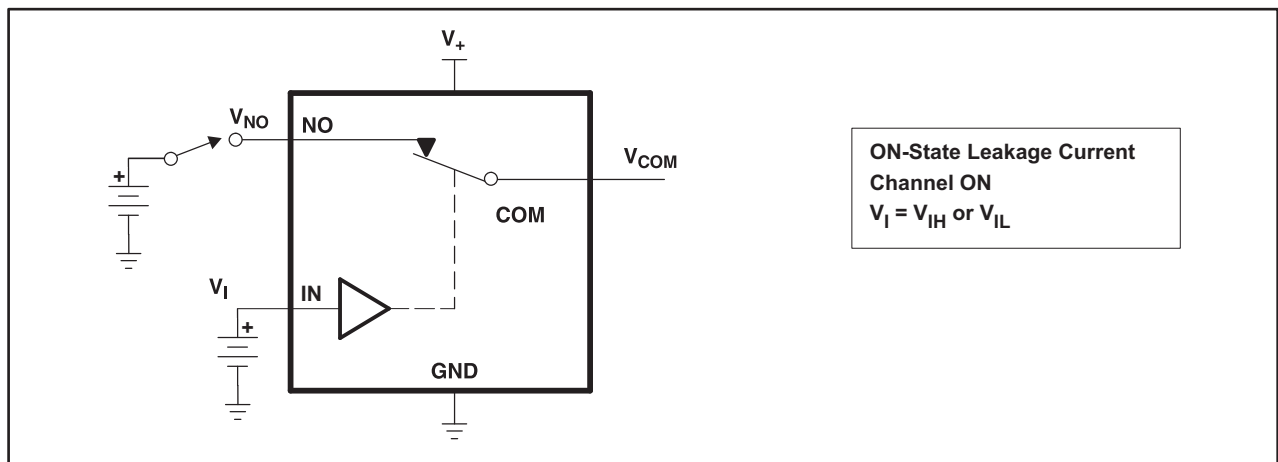


Figure 18. ON-State Leakage Current ($I_{COM(ON)}$, $I_{NO(ON)}$)

PARAMETER MEASUREMENT INFORMATION (continued)

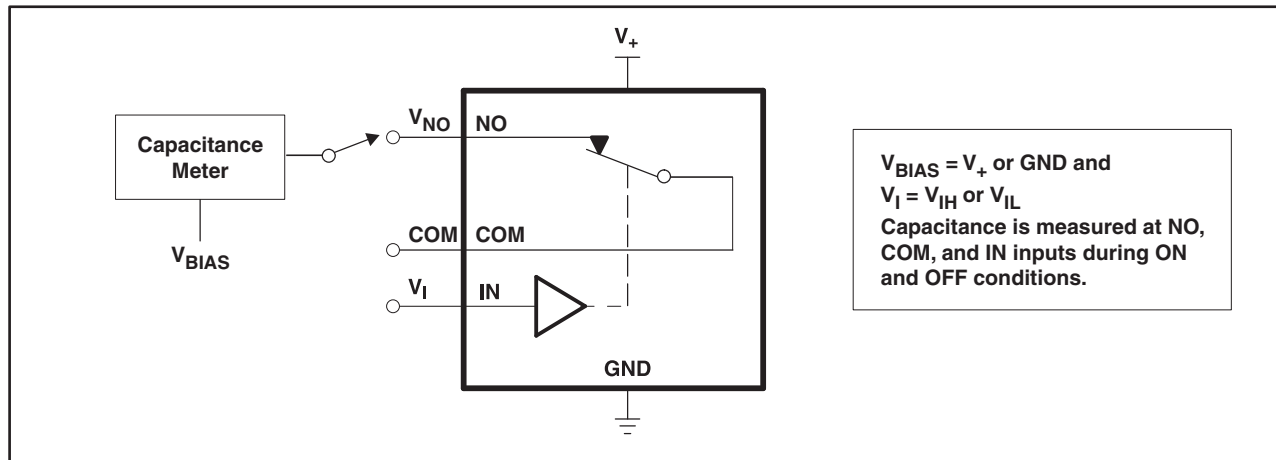


Figure 19. Capacitance (C_I , $C_{COM(OFF)}$, $C_{COM(ON)}$, $C_{NO(OFF)}$, $C_{NO(ON)}$)

- A. All input pulses are supplied by generators having the following characteristics: $PRR \leq 10 \text{ MHz}$, $Z_O = 50 \Omega$, $t_r < 5 \text{ ns}$, $t_f < 5 \text{ ns}$.
- B. C_L includes probe and jig capacitance.

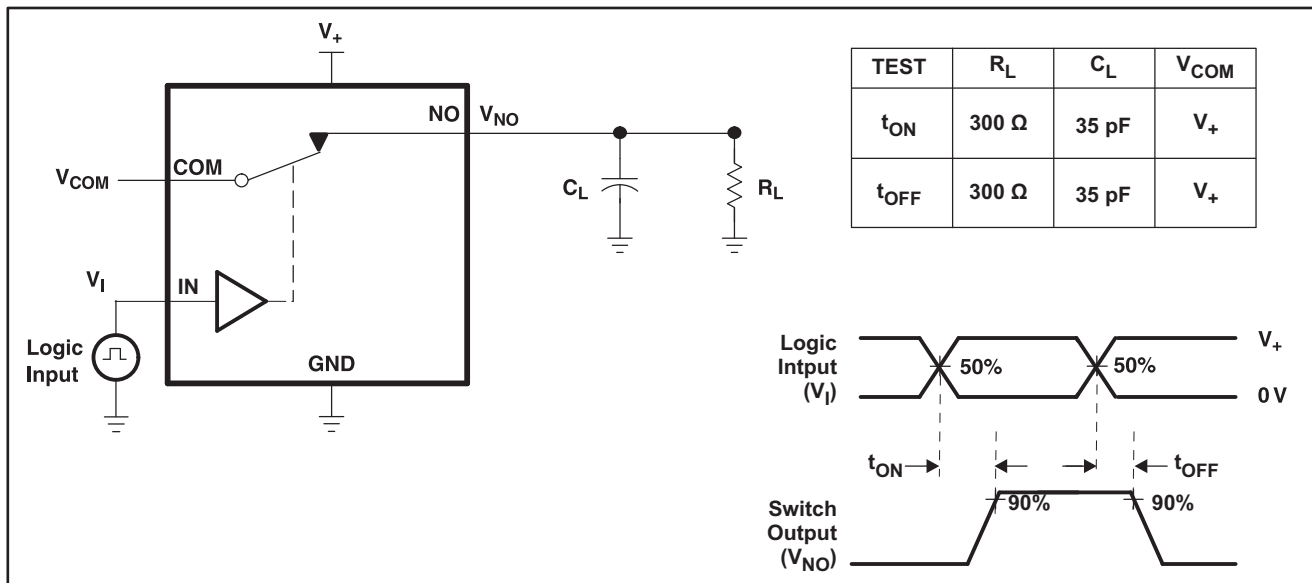


Figure 20. Turn-On (t_{ON}) and Turn-Off Time (t_{OFF})

- A. C_L includes probe and jig capacitance.
- B. All input pulses are supplied by generators having the following characteristics: $PRR \leq 10 \text{ MHz}$, $Z_O = 50 \Omega$, $t_r < 5 \text{ ns}$, $t_f < 5 \text{ ns}$.

PARAMETER MEASUREMENT INFORMATION (continued)

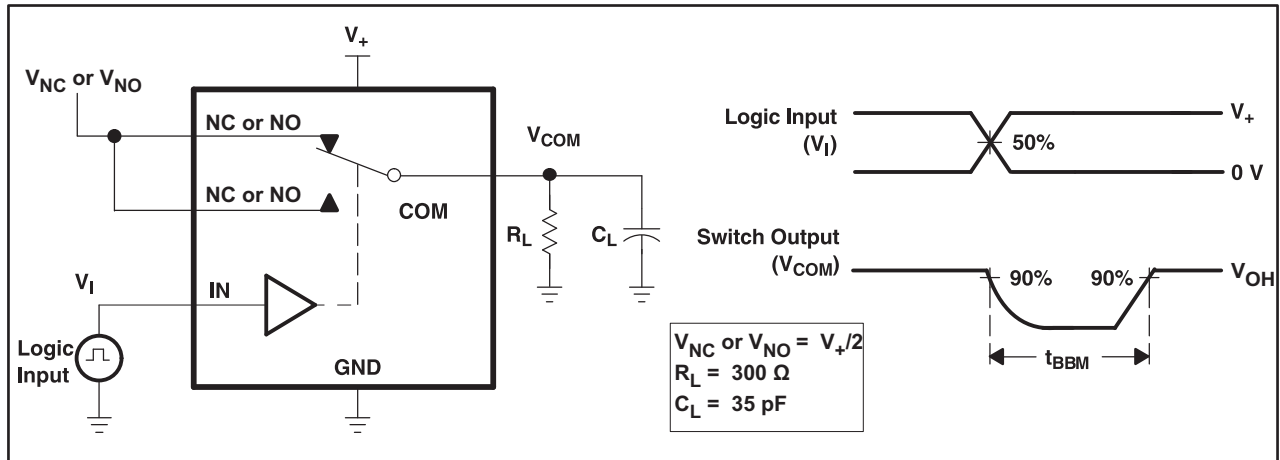


Figure 21. Break-Before-Make Time (t_{BBM}) (TS5A22362 Only)

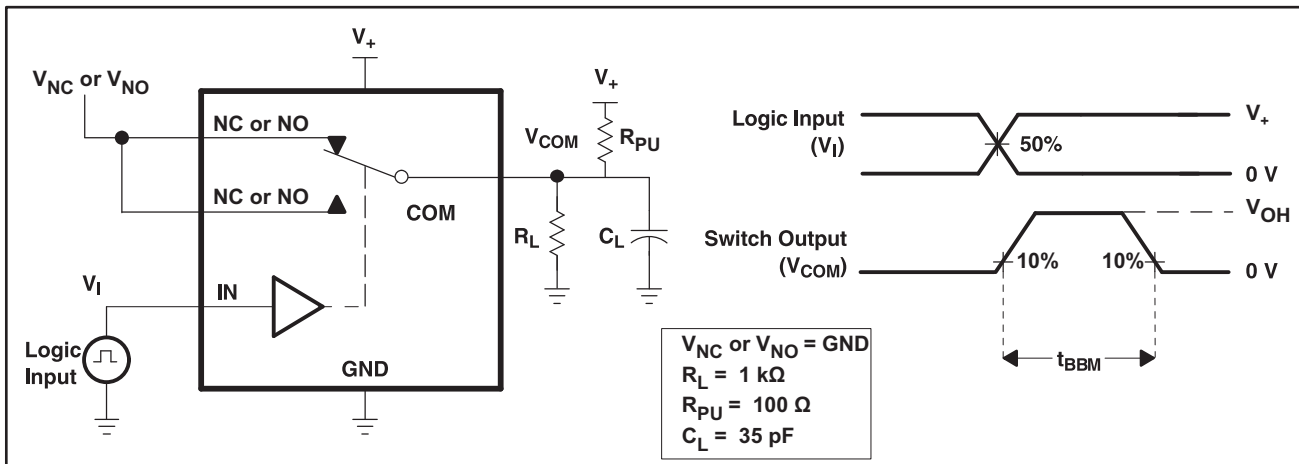


Figure 22. Break-Before-Make Time (t_{BBM}) (TS5A22364 Only)

- A. C_L includes probe and jig capacitance.
- B. All input pulses are supplied by generators having the following characteristics: $PRR \leq 10 \text{ MHz}$, $Z_O = 50 \Omega$, $t_r < 5 \text{ ns}$, $t_f < 5 \text{ ns}$.

PARAMETER MEASUREMENT INFORMATION (continued)

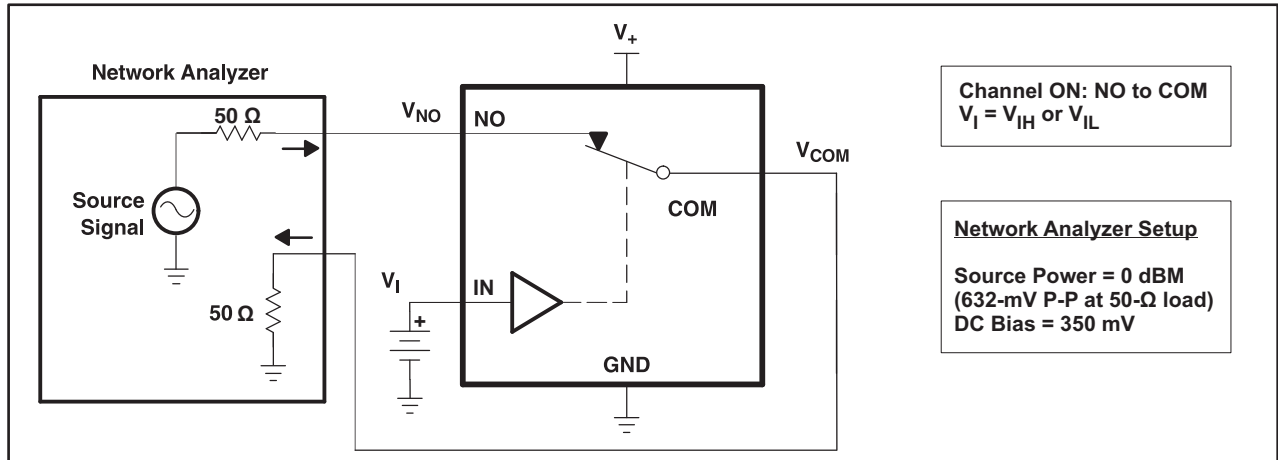


Figure 23. Bandwidth (BW)

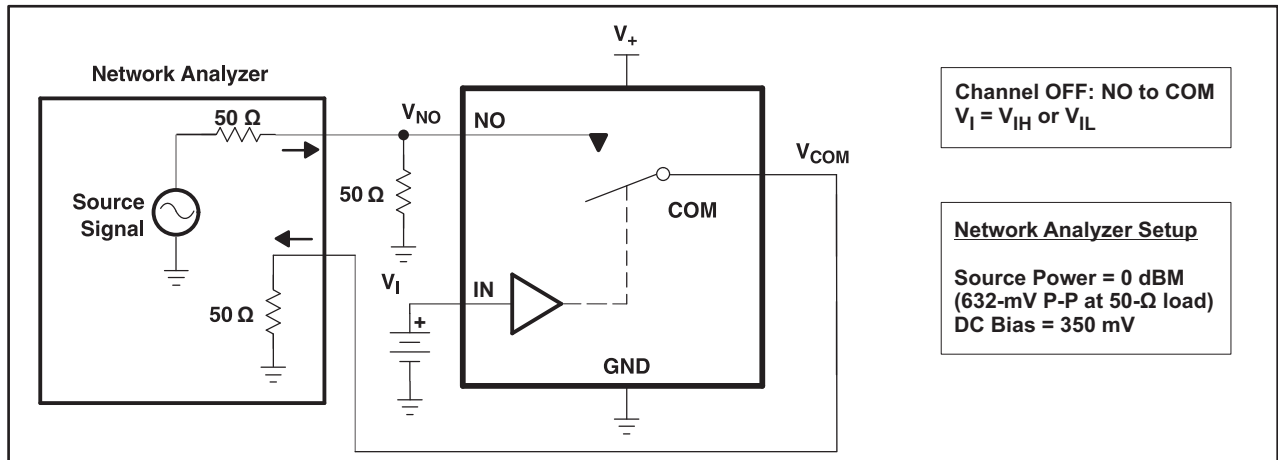


Figure 24. OFF Isolation (O_{ISO})

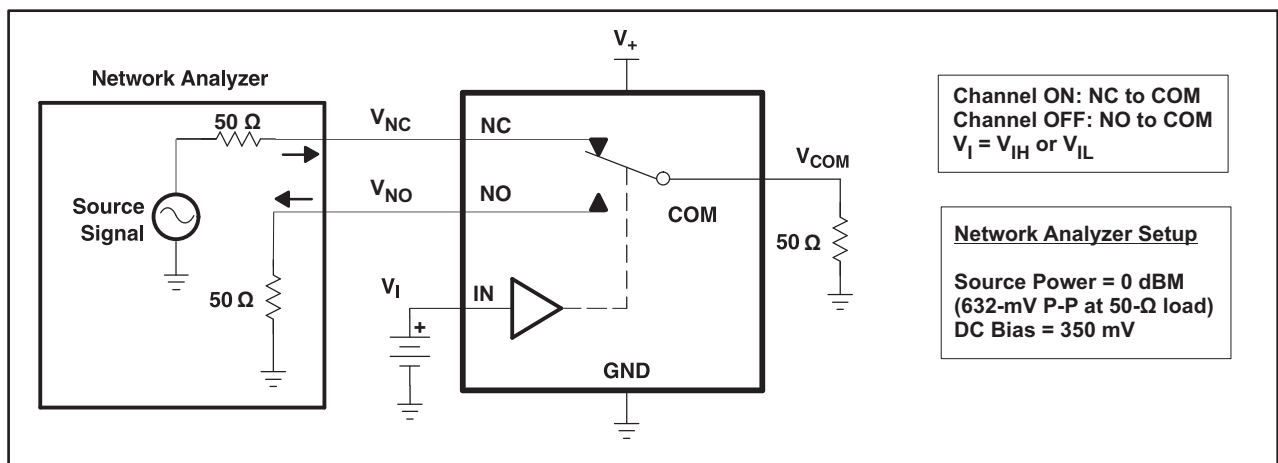


Figure 25. Crosstalk (X_{TALK})

- A. All input pulses are supplied by generators having the following characteristics: $PRR \leq 10$ MHz, $Z_O = 50 \Omega$, $t_r < 5$ ns, $t_f < 5$ ns.
- B. C_L includes probe and jig capacitance.

PARAMETER MEASUREMENT INFORMATION (continued)

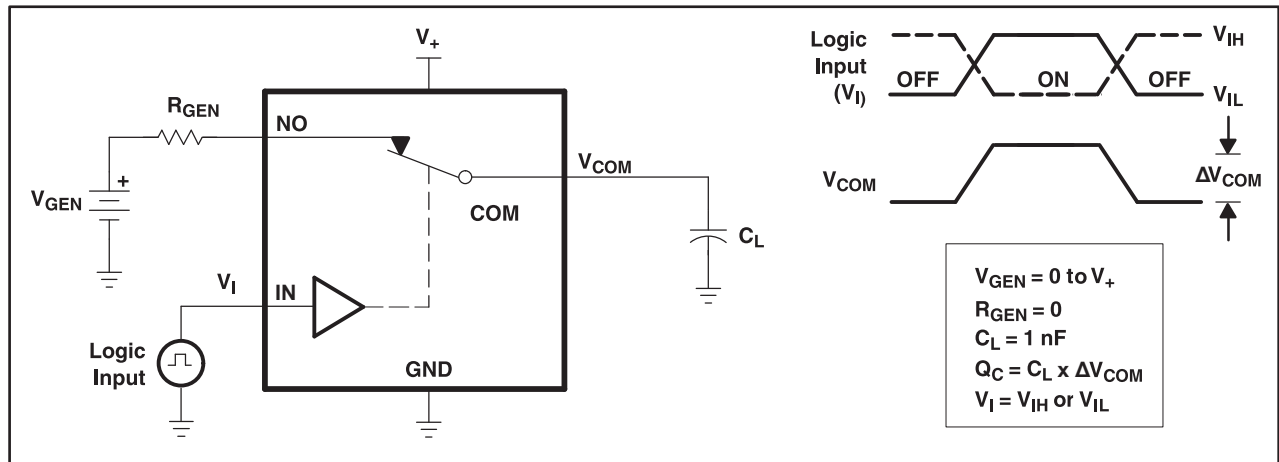


Figure 26. Charge Injection (Q_C)

A. C_L includes probe and jig capacitance.

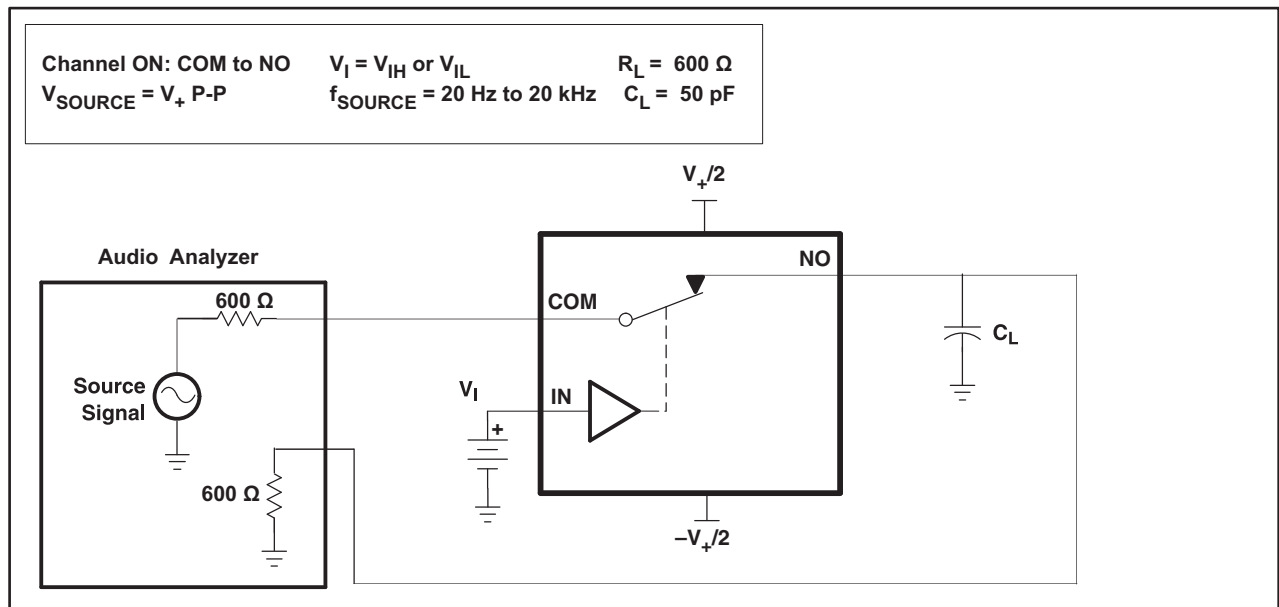


Figure 27. Total Harmonic Distortion (THD)

Changes from Revision C (April 2010) to Revision D**Page**

-
- Added Medical Imaging to Application. 1
 - Added TS5A22362DRCT-NM orderable part number to the ORDERING INFORMATION table. 2
-

PACKAGING INFORMATION

Orderable Device	Status ⁽¹⁾	Package Type	Package Drawing	Pins	Package Qty	Eco Plan ⁽²⁾	Lead/ Ball Finish	MSL Peak Temp ⁽³⁾	Samples (Requires Login)
TS5A22362DGSR	ACTIVE	MSOP	DGS	10	2500	Green (RoHS & no Sb/Br)	CU NIPDAU	Level-1-260C-UNLIM	
TS5A22362DGSRG4	ACTIVE	MSOP	DGS	10	2500	Green (RoHS & no Sb/Br)	CU NIPDAU	Level-1-260C-UNLIM	
TS5A22362DRCR	ACTIVE	SON	DRC	10	3000	Green (RoHS & no Sb/Br)	CU NIPDAU	Level-2-260C-1 YEAR	
TS5A22362DRCRG4	ACTIVE	SON	DRC	10	3000	Green (RoHS & no Sb/Br)	CU NIPDAU	Level-2-260C-1 YEAR	
TS5A22362DRCT-NM	ACTIVE	SON	DRC	10	250	Green (RoHS & no Sb/Br)	CU SN	Level-2-260C-1 YEAR	
TS5A22362YZPR	ACTIVE	DSBGA	YZP	10	3000	Green (RoHS & no Sb/Br)	SNAGCU	Level-1-260C-UNLIM	
TS5A22364DGSR	ACTIVE	MSOP	DGS	10	2500	Green (RoHS & no Sb/Br)	CU NIPDAU	Level-1-260C-UNLIM	
TS5A22364DGSRG4	ACTIVE	MSOP	DGS	10	2500	Green (RoHS & no Sb/Br)	CU NIPDAU	Level-1-260C-UNLIM	
TS5A22364DRCR	ACTIVE	SON	DRC	10	3000	Green (RoHS & no Sb/Br)	CU NIPDAU	Level-2-260C-1 YEAR	
TS5A22364YZPR	ACTIVE	DSBGA	YZP	10	3000	Green (RoHS & no Sb/Br)	SNAGCU	Level-1-260C-UNLIM	

⁽¹⁾ The marketing status values are defined as follows:

ACTIVE: Product device recommended for new designs.

LIFEBUY: TI has announced that the device will be discontinued, and a lifetime-buy period is in effect.

NRND: Not recommended for new designs. Device is in production to support existing customers, but TI does not recommend using this part in a new design.

PREVIEW: Device has been announced but is not in production. Samples may or may not be available.

OBSELETE: TI has discontinued the production of the device.

⁽²⁾ Eco Plan - The planned eco-friendly classification: Pb-Free (RoHS), Pb-Free (RoHS Exempt), or Green (RoHS & no Sb/Br) - please check <http://www.ti.com/productcontent> for the latest availability information and additional product content details.

TBD: The Pb-Free/Green conversion plan has not been defined.

Pb-Free (RoHS): TI's terms "Lead-Free" or "Pb-Free" mean semiconductor products that are compatible with the current RoHS requirements for all 6 substances, including the requirement that lead not exceed 0.1% by weight in homogeneous materials. Where designed to be soldered at high temperatures, TI Pb-Free products are suitable for use in specified lead-free processes.

Pb-Free (RoHS Exempt): This component has a RoHS exemption for either 1) lead-based flip-chip solder bumps used between the die and package, or 2) lead-based die adhesive used between the die and leadframe. The component is otherwise considered Pb-Free (RoHS compatible) as defined above.

Green (RoHS & no Sb/Br): TI defines "Green" to mean Pb-Free (RoHS compatible), and free of Bromine (Br) and Antimony (Sb) based flame retardants (Br or Sb do not exceed 0.1% by weight in homogeneous material)

⁽³⁾ MSL, Peak Temp. -- The Moisture Sensitivity Level rating according to the JEDEC industry standard classifications, and peak solder temperature.

Important Information and Disclaimer: The information provided on this page represents TI's knowledge and belief as of the date that it is provided. TI bases its knowledge and belief on information provided by third parties, and makes no representation or warranty as to the accuracy of such information. Efforts are underway to better integrate information from third parties. TI has taken and continues to take reasonable steps to provide representative and accurate information but may not have conducted destructive testing or chemical analysis on incoming materials and chemicals. TI and TI suppliers consider certain information to be proprietary, and thus CAS numbers and other limited information may not be available for release.

In no event shall TI's liability arising out of such information exceed the total purchase price of the TI part(s) at issue in this document sold by TI to Customer on an annual basis.

TAPE AND REEL INFORMATION
REEL DIMENSIONS

TAPE DIMENSIONS


A0	Dimension designed to accommodate the component width
B0	Dimension designed to accommodate the component length
K0	Dimension designed to accommodate the component thickness
W	Overall width of the carrier tape
P1	Pitch between successive cavity centers

TAPE AND REEL INFORMATION

*All dimensions are nominal

Device	Package Type	Package Drawing	Pins	SPQ	Reel Diameter (mm)	Reel Width W1 (mm)	A0 (mm)	B0 (mm)	K0 (mm)	P1 (mm)	W (mm)	Pin1 Quadrant
TS5A22362DGSR	MSOP	DGS	10	2500	330.0	12.4	5.3	3.4	1.4	8.0	12.0	Q1
TS5A22362DRCR	SON	DRC	10	3000	330.0	12.4	3.3	3.3	1.1	8.0	12.0	Q2
TS5A22362DRCT-NM	SON	DRC	10	250	180.0	12.4	3.3	3.3	1.1	8.0	12.0	Q2
TS5A22362YZPR	DSBGA	YZP	10	3000	180.0	8.4	1.5	2.03	0.7	4.0	8.0	Q2
TS5A22364DGSR	MSOP	DGS	10	2500	330.0	12.4	5.3	3.4	1.4	8.0	12.0	Q1
TS5A22364DRCR	SON	DRC	10	3000	330.0	12.4	3.3	3.3	1.1	8.0	12.0	Q2
TS5A22364YZPR	DSBGA	YZP	10	3000	180.0	8.4	1.5	2.03	0.7	4.0	8.0	Q2

TAPE AND REEL BOX DIMENSIONS


*All dimensions are nominal

Device	Package Type	Package Drawing	Pins	SPQ	Length (mm)	Width (mm)	Height (mm)
TS5A22362DGSR	MSOP	DGS	10	2500	358.0	335.0	35.0
TS5A22362DRCR	SON	DRC	10	3000	346.0	346.0	29.0
TS5A22362DRCT-NM	SON	DRC	10	250	210.0	185.0	35.0
TS5A22362YZPR	DSBGA	YZP	10	3000	220.0	220.0	34.0
TS5A22364DGSR	MSOP	DGS	10	2500	358.0	335.0	35.0
TS5A22364DRCR	SON	DRC	10	3000	346.0	346.0	29.0
TS5A22364YZPR	DSBGA	YZP	10	3000	220.0	220.0	34.0

DGS (S-PDSO-G10)

PLASTIC SMALL-OUTLINE PACKAGE



- NOTES:
- A. All linear dimensions are in millimeters.
 - B. This drawing is subject to change without notice.
 - C. Body dimensions do not include mold flash or protrusion.
 - D. Falls within JEDEC MO-187 variation BA.

DRC (S-PVSON-N10)

PLASTIC SMALL OUTLINE NO-LEAD



- NOTES:
- All linear dimensions are in millimeters. Dimensioning and tolerancing per ASME Y14.5M-1994.
 - This drawing is subject to change without notice.
 - Small Outline No-Lead (SON) package configuration.
 - The package thermal pad must be soldered to the board for thermal and mechanical performance, if present.
 - See the additional figure in the Product Data Sheet for details regarding the exposed thermal pad features and dimensions, if present.

THERMAL PAD MECHANICAL DATA

DRC (S-PVSON-N10)

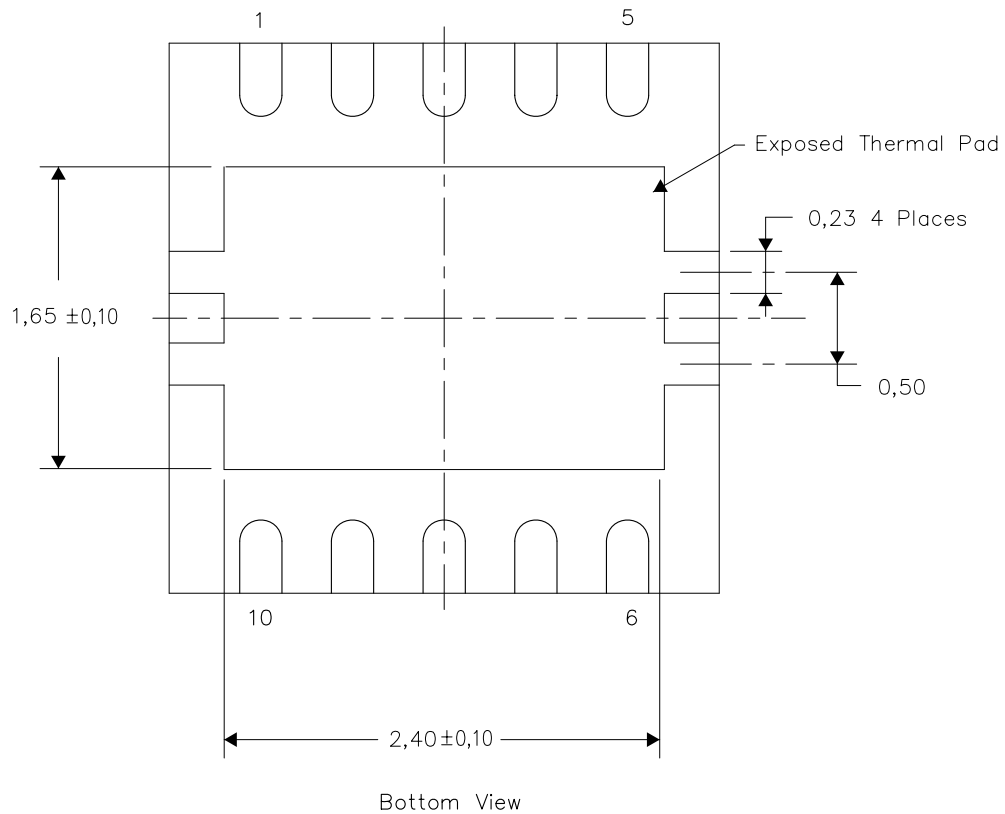
PLASTIC SMALL OUTLINE NO-LEAD

THERMAL INFORMATION

This package incorporates an exposed thermal pad that is designed to be attached directly to an external heatsink. The thermal pad must be soldered directly to the printed circuit board (PCB). After soldering, the PCB can be used as a heatsink. In addition, through the use of thermal vias, the thermal pad can be attached directly to the appropriate copper plane shown in the electrical schematic for the device, or alternatively, can be attached to a special heatsink structure designed into the PCB. This design optimizes the heat transfer from the integrated circuit (IC).

For information on the Quad Flatpack No-Lead (QFN) package and its advantages, refer to Application Report, QFN/SON PCB Attachment, Texas Instruments Literature No. SLUA271. This document is available at www.ti.com.

The exposed thermal pad dimensions for this package are shown in the following illustration.



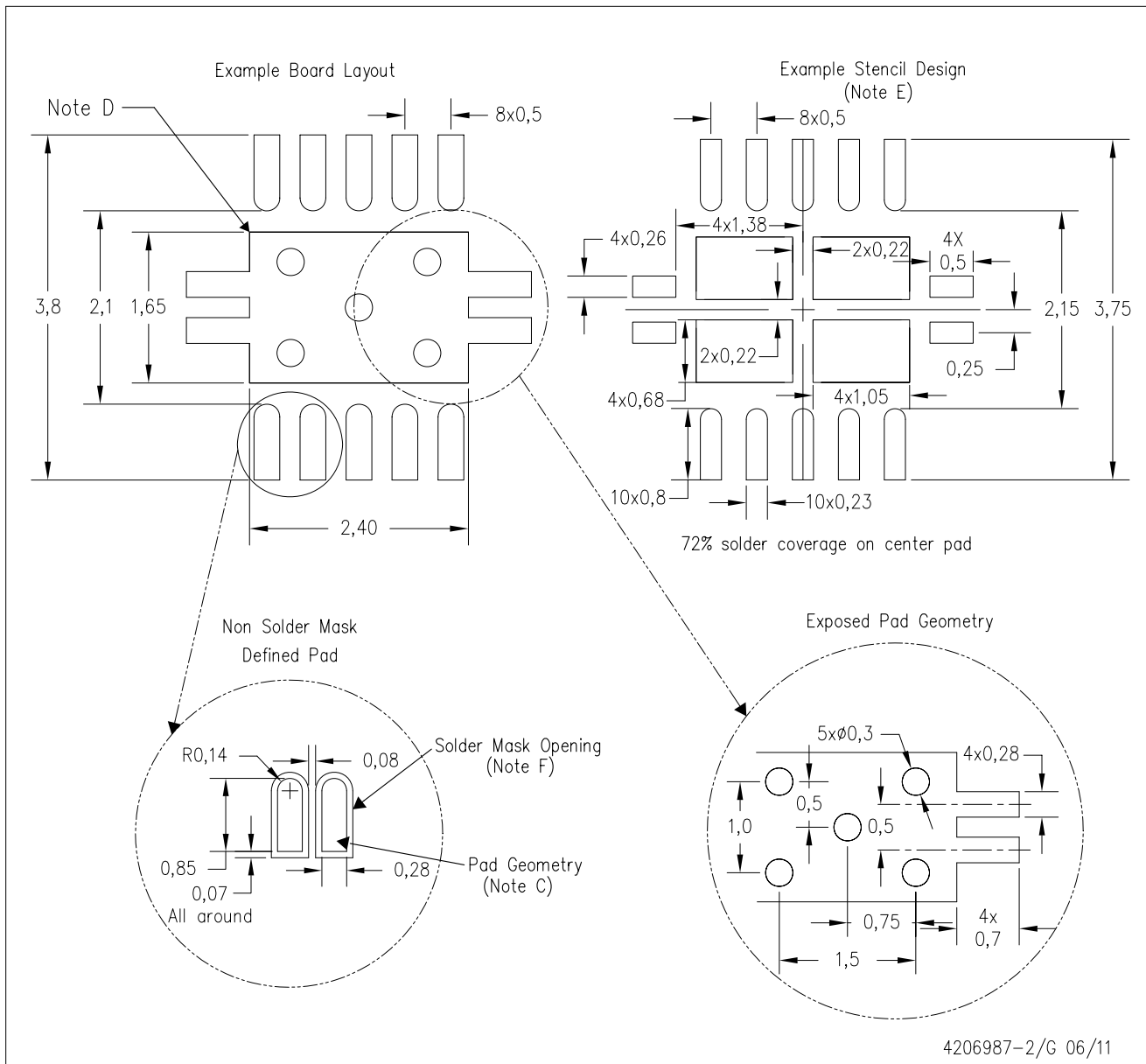
Exposed Thermal Pad Dimensions

4206565-3/M 06/11

NOTE: A. All linear dimensions are in millimeters

DRC (S-PVSON-N10)

PLASTIC SMALL OUTLINE NO-LEAD



- NOTES:
- All linear dimensions are in millimeters.
 - This drawing is subject to change without notice.
 - Publication IPC-7351 is recommended for alternate designs.
 - This package is designed to be soldered to a thermal pad on the board. Refer to Application Note, Quad Flat-Pack Packages, Texas Instruments Literature No. SLUA271, and also the Product Data Sheets for specific thermal information, via requirements, and recommended board layout. These documents are available at www.ti.com <<http://www.ti.com>>.
 - Laser cutting apertures with trapezoidal walls and also rounding corners will offer better paste release. Customers should contact their board assembly site for stencil design recommendations. Refer to IPC 7525 for stencil design considerations.
 - Customers should contact their board fabrication site for minimum solder mask web tolerances between signal pads.

THERMAL PAD MECHANICAL DATA

DRC (S-PVSON-N10)

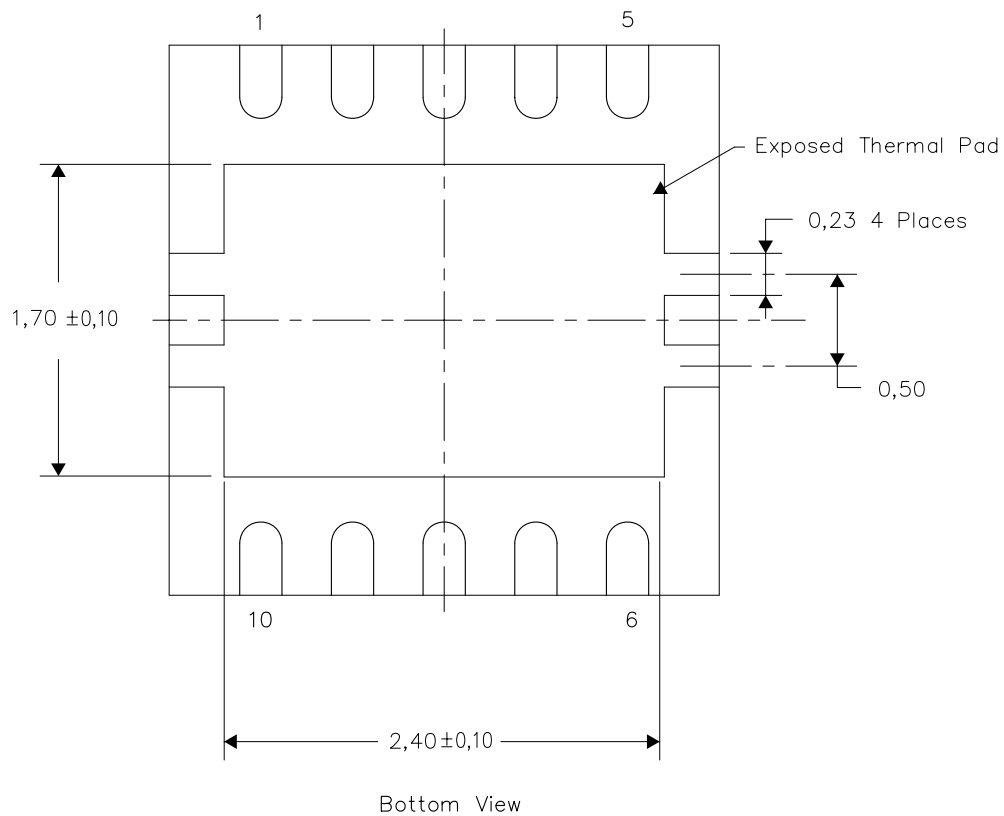
PLASTIC SMALL OUTLINE NO-LEAD

THERMAL INFORMATION

This package incorporates an exposed thermal pad that is designed to be attached directly to an external heatsink. The thermal pad must be soldered directly to the printed circuit board (PCB). After soldering, the PCB can be used as a heatsink. In addition, through the use of thermal vias, the thermal pad can be attached directly to the appropriate copper plane shown in the electrical schematic for the device, or alternatively, can be attached to a special heatsink structure designed into the PCB. This design optimizes the heat transfer from the integrated circuit (IC).

For information on the Quad Flatpack No-Lead (QFN) package and its advantages, refer to Application Report, QFN/SON PCB Attachment, Texas Instruments Literature No. SLUA271. This document is available at www.ti.com.

The exposed thermal pad dimensions for this package are shown in the following illustration.



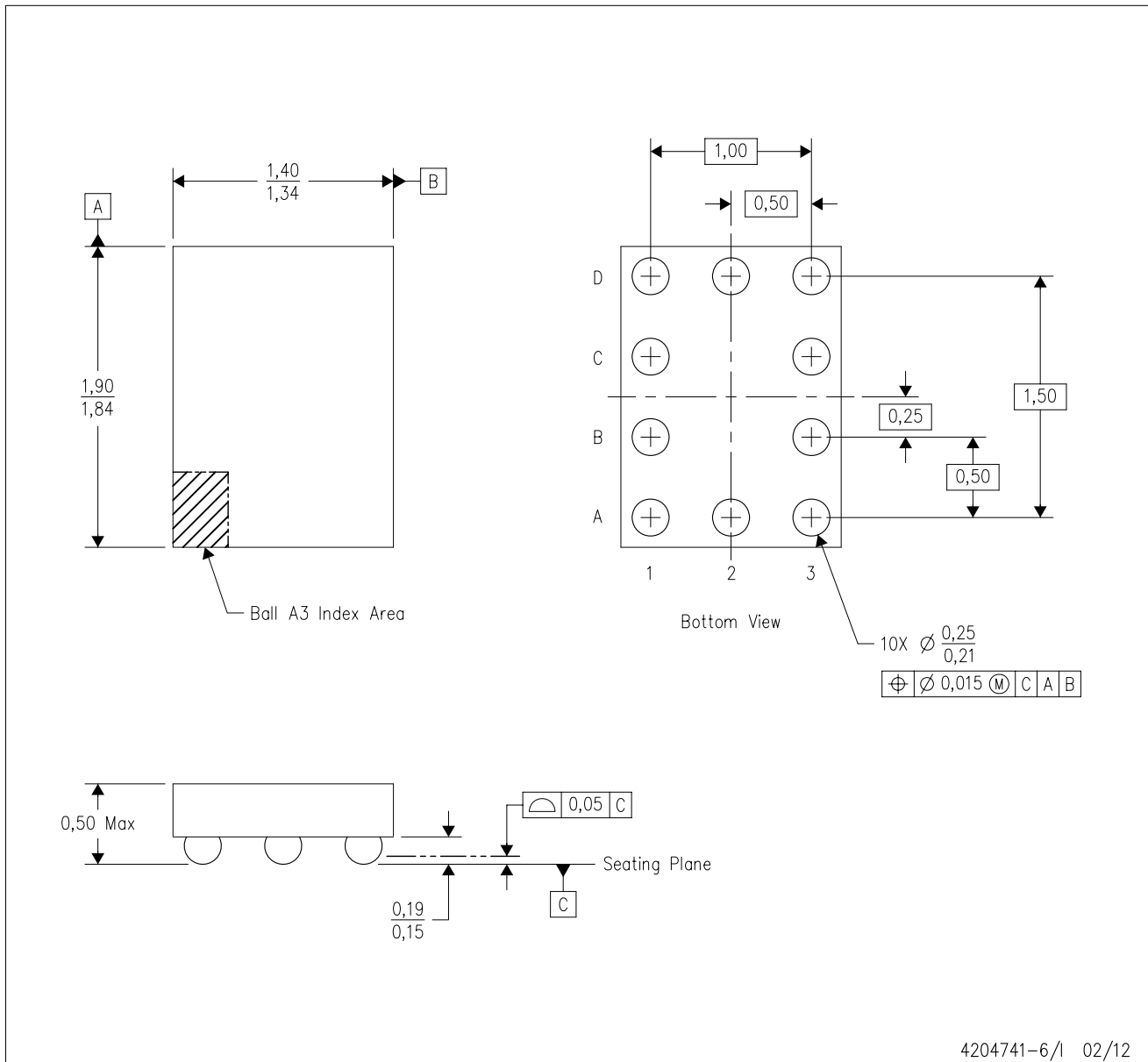
Exposed Thermal Pad Dimensions

4206565-8/M 06/11

NOTE: A. All linear dimensions are in millimeters

YZP (R-XBGA-N10)

(CUSTOM) DIE-SIZE BALL GRID ARRAY



- NOTES:
- A. All linear dimensions are in millimeters. Dimensioning and tolerancing per ASME Y14.5M-1994.
 - B. This drawing is subject to change without notice.
 - C. NanoFree™ package configuration.
 - D. This package is a Pb-free solder ball design.

NanoFree is a trademark of Texas Instruments.

IMPORTANT NOTICE

Texas Instruments Incorporated and its subsidiaries (TI) reserve the right to make corrections, modifications, enhancements, improvements, and other changes to its products and services at any time and to discontinue any product or service without notice. Customers should obtain the latest relevant information before placing orders and should verify that such information is current and complete. All products are sold subject to TI's terms and conditions of sale supplied at the time of order acknowledgment.

TI warrants performance of its hardware products to the specifications applicable at the time of sale in accordance with TI's standard warranty. Testing and other quality control techniques are used to the extent TI deems necessary to support this warranty. Except where mandated by government requirements, testing of all parameters of each product is not necessarily performed.

TI assumes no liability for applications assistance or customer product design. Customers are responsible for their products and applications using TI components. To minimize the risks associated with customer products and applications, customers should provide adequate design and operating safeguards.

TI does not warrant or represent that any license, either express or implied, is granted under any TI patent right, copyright, mask work right, or other TI intellectual property right relating to any combination, machine, or process in which TI products or services are used. Information published by TI regarding third-party products or services does not constitute a license from TI to use such products or services or a warranty or endorsement thereof. Use of such information may require a license from a third party under the patents or other intellectual property of the third party, or a license from TI under the patents or other intellectual property of TI.

Reproduction of TI information in TI data books or data sheets is permissible only if reproduction is without alteration and is accompanied by all associated warranties, conditions, limitations, and notices. Reproduction of this information with alteration is an unfair and deceptive business practice. TI is not responsible or liable for such altered documentation. Information of third parties may be subject to additional restrictions.

Resale of TI products or services with statements different from or beyond the parameters stated by TI for that product or service voids all express and any implied warranties for the associated TI product or service and is an unfair and deceptive business practice. TI is not responsible or liable for any such statements.

TI products are not authorized for use in safety-critical applications (such as life support) where a failure of the TI product would reasonably be expected to cause severe personal injury or death, unless officers of the parties have executed an agreement specifically governing such use. Buyers represent that they have all necessary expertise in the safety and regulatory ramifications of their applications, and acknowledge and agree that they are solely responsible for all legal, regulatory and safety-related requirements concerning their products and any use of TI products in such safety-critical applications, notwithstanding any applications-related information or support that may be provided by TI. Further, Buyers must fully indemnify TI and its representatives against any damages arising out of the use of TI products in such safety-critical applications.

TI products are neither designed nor intended for use in military/aerospace applications or environments unless the TI products are specifically designated by TI as military-grade or "enhanced plastic." Only products designated by TI as military-grade meet military specifications. Buyers acknowledge and agree that any such use of TI products which TI has not designated as military-grade is solely at the Buyer's risk, and that they are solely responsible for compliance with all legal and regulatory requirements in connection with such use.

TI products are neither designed nor intended for use in automotive applications or environments unless the specific TI products are designated by TI as compliant with ISO/TS 16949 requirements. Buyers acknowledge and agree that, if they use any non-designated products in automotive applications, TI will not be responsible for any failure to meet such requirements.

Following are URLs where you can obtain information on other Texas Instruments products and application solutions:

Products

Audio	www.ti.com/audio
Amplifiers	amplifier.ti.com
Data Converters	dataconverter.ti.com
DLP® Products	www.dlp.com
DSP	dsp.ti.com
Clocks and Timers	www.ti.com/clocks
Interface	interface.ti.com
Logic	logic.ti.com
Power Mgmt	power.ti.com
Microcontrollers	microcontroller.ti.com
RFID	www.ti-rfid.com
OMAP Mobile Processors	www.ti.com/omap
Wireless Connectivity	www.ti.com/wirelessconnectivity

Applications

Automotive and Transportation	www.ti.com/automotive
Communications and Telecom	www.ti.com/communications
Computers and Peripherals	www.ti.com/computers
Consumer Electronics	www.ti.com/consumer-apps
Energy and Lighting	www.ti.com/energy
Industrial	www.ti.com/industrial
Medical	www.ti.com/medical
Security	www.ti.com/security
Space, Avionics and Defense	www.ti.com/space-avionics-defense
Video and Imaging	www.ti.com/video

TI E2E Community Home Page

e2e.ti.com

Mailing Address: Texas Instruments, Post Office Box 655303, Dallas, Texas 75265
Copyright © 2012, Texas Instruments Incorporated