

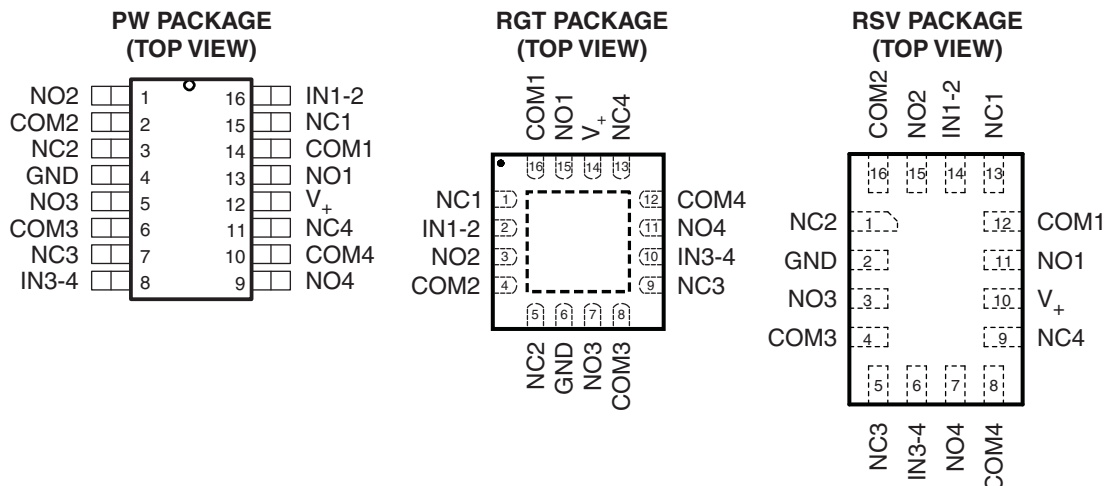
0.45-Ω QUAD SPDT ANALOG SWITCH QUAD-CHANNEL 2:1 MULTIPLEXER/DEMULTIPLEXER WITH TWO CONTROLS

FEATURES

- Specified Break-Before-Make Switching
- Low ON-State Resistance (<0.5 Ω)
- Control Inputs Are 1.8-V Logic Compatible
- Low Charge Injection
- Excellent ON-State Resistance Matching
- Low Total Harmonic Distortion (THD)
- 1.65-V to 4.3-V Single-Supply Operation
- Latch-Up Performance Exceeds 100 mA Per JESD 78, Class II
- ESD Performance Tested Per JESD 22
 - 2000-V Human-Body Model (A114-B, Class II)
 - 1000-V Charged-Device Model (C101)

APPLICATIONS

- Cell Phones
- PDAs
- Portable Instrumentation
- Audio and Video Signal Routing
- Low-Voltage Data-Acquisition Systems
- Communication Circuits
- Modems
- Hard Drives
- Computer Peripherals
- Wireless Terminals and Peripherals



DESCRIPTION/ORDERING INFORMATION

The TS3A44159 is a quad single-pole double-throw (SPDT) analog switch with two control inputs, which is designed to operate from 1.65 V to 4.3 V. This device is also known as a dual double-pole double-throw (DPDT) configuration. It offers low ON-state resistance and excellent ON-state resistance matching with the break-before-make feature, to prevent signal distortion during the transferring of a signal from one channel to another. The device has an excellent total harmonic distortion (THD) performance and consumes very low power. These features make this device suitable for portable audio applications.



Please be aware that an important notice concerning availability, standard warranty, and use in critical applications of Texas Instruments semiconductor products and disclaimers thereto appears at the end of this data sheet.

ORDERING INFORMATION

T _A	PACKAGE ⁽¹⁾⁽²⁾		ORDERABLE PART NUMBER	TOP-SIDE MARKING
-40°C to 85°C	RGT – QFN	Tape and reel	TS3A44159RGTR	ZWH
	RSV – QFN	Tape and reel	TS3A44159RSVR	ZWH
	PW – TSSOP	Tape and reel	TS3A44159PWR	YC4159

- (1) Package drawings, thermal data, and symbolization are available at www.ti.com/packaging.
- (2) For the most current package and ordering information, see the Package Option Addendum at the end of this document, or see the TI website at www.ti.com.

SUMMARY OF CHARACTERISTICS⁽¹⁾

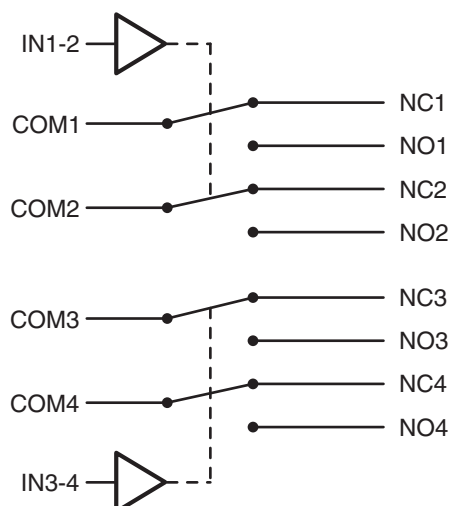
Configuration	Quad 2:1 Multiplexer/Demultiplexer (4 × SPDT or 2 × DPDT)
Number of channels	4
ON-state resistance (r _{on})	0.45 Ω (max)
ON-state resistance match (Δr _{on})	0.07 Ω (max)
ON-state resistance flatness (r _{ON(flat)})	0.1 Ω (max)
Turn-on/turn-off time (t _{ON} /t _{OFF})	23 ns/32 ns
Break-before-make time (t _{BBM})	30 ns
Charge injection (Q _C)	139 pC
Bandwidth (BW)	35 MHz
OFF isolation (O _{ISO})	-71 dB
Crosstalk (X _{TALK})	-73 dB
Total harmonic distortion (THD)	0.003%
Power-supply current (I ₊)	0.4 μA
Package option	16-pin QFN

(1) V₊ = 4.3 V, T_A = 25°C

FUNCTION TABLE

IN	NC TO COM, COM TO NC	NO TO COM, COM TO NO
L	ON	OFF
H	OFF	ON

LOGIC DIAGRAM



ABSOLUTE MAXIMUM RATINGS⁽¹⁾⁽²⁾

over operating free-air temperature range (unless otherwise noted)

		MIN	MAX	UNIT
V_+	Supply voltage range ⁽³⁾	–0.5	4.6	V
V_{NC} V_{NO} V_{COM}	Analog voltage range ⁽³⁾⁽⁴⁾⁽⁵⁾	–0.5	$V_+ + 0.5$	V
I_K	Analog port diode current	$V_{NC}, V_{NO}, V_{COM} < 0$		mA
I_{NC} I_{NO} I_{COM}	ON-state switch current	–200	200	mA
	ON-state peak switch current ⁽⁶⁾	–400	400	
V_I	Digital input voltage range	–0.5	4.6	V
I_{IK}	Digital input clamp current ⁽³⁾⁽⁴⁾	$V_I < 0$		mA
I_+	Continuous current through V_+		100	mA
I_{GND}	Continuous current through GND	–100		mA
θ_{JA}	Package thermal impedance ⁽⁷⁾	PW package		108
		RGT package		TBD
		RSV package		TBD
T_{stg}	Storage temperature range	–65	150	°C

- (1) Stresses above these ratings may cause permanent damage. Exposure to absolute maximum conditions for extended periods may degrade device reliability. These are stress ratings only, and functional operation of the device at these or any other conditions beyond those specified is not implied.
- (2) The algebraic convention, whereby the most negative value is a minimum and the most positive value is a maximum
- (3) All voltages are with respect to ground, unless otherwise specified.
- (4) The input and output voltage ratings may be exceeded if the input and output clamp-current ratings are observed.
- (5) This value is limited to 4.6 V maximum.
- (6) Pulse at 1-ms duration <10% duty cycle
- (7) The package thermal impedance is calculated in accordance with JESD 51-7.

ELECTRICAL CHARACTERISTICS FOR 4.3-V SUPPLY⁽¹⁾T_A = -40°C to 85°C (unless otherwise noted)

PARAMETER	SYMBOL	TEST CONDITIONS	T _A	V ₊	MIN	TYP	MAX	UNIT
Analog Switch								
Analog signal range	V _{COM} , V _{NO} , V _{NC}				0		V ₊	V
ON-state resistance	r _{on}	V _{NO} or V _{NC} = 2.5 V, I _{COM} = -100 mA,	Switch ON, See Figure 16	25°C	4.3 V	0.3	0.45	Ω
				Full		0.5		
ON-state resistance match between channels	Δr _{on}	V _{NO} or V _{NC} = 2.5 V, I _{COM} = -100 mA,	Switch ON, See Figure 16	25°C	4.3 V	0.05	0.07	Ω
				Full		0.1		
ON-state resistance flatness	r _{on(flat)}	V _{NO} or V _{NC} = 1 V, 1.5 V, 2.5 V, I _{COM} = -100 mA,	Switch ON, See Figure 16	25°C	4.3 V	0.02	0.1	Ω
				Full		0.1		
NC, NO OFF leakage current	I _{NO(OFF)} , I _{NC(OFF)}	V _{NO} or V _{NC} = 0.3 V, V _{COM} = 3.0 V, or V _{NO} or V _{NC} = 3.0 V, V _{COM} = 0.3 V,	See Figure 17	25°C	4.3 V	-20	5	nA
				Full		-90	90	
NC, NO ON leakage current	I _{NO(ON)} , I _{NC(ON)}	V _{NO} or V _{NC} = 0.3 V, V _{COM} = Open, or V _{NO} or V _{NC} = 3.0 V, V _{COM} = Open,	See Figure 18	25°C	4.3 V	-20	5	nA
				Full		-90	90	
COM ON leakage current	I _{COM(ON)}	V _{NO} or V _{NC} = Open, V _{COM} = 0.3 V, or V _{NO} or V _{NC} = Open, V _{COM} = 3.0 V,	See Figure 18	25°C	4.3 V	-20	5	nA
				Full		-90	90	
Digital Control Inputs (IN1-2, IN3-4)⁽²⁾								
Input logic high	V _{IH}		Full	4.3 V	1.5		4.3	V
Input logic low	V _{IL}		Full	4.3 V	0		1	V
Input leakage current	I _{IH} , I _{IL}	V _{IN} = 3.6 V or 0	25°C	4.3 V	0.5		10	nA
			Full			50		

(1) The algebraic convention, whereby the most negative value is a minimum and the most positive value is a maximum

(2) All unused digital inputs of the device must be held at V₊ or GND to ensure proper device operation. Refer to the TI application report, *Implications of Slow or Floating CMOS Inputs*, literature number SCBA004.

ELECTRICAL CHARACTERISTICS FOR 4.3-V SUPPLY (continued)
 $T_A = -40^{\circ}\text{C}$ to 85°C (unless otherwise noted)

PARAMETER	SYMBOL	TEST CONDITIONS	T_A	V_+	MIN	TYP	MAX	UNIT
Dynamic								
Turn-on time	t_{ON}	$V_{COM} = V_+$, $R_L = 50\ \Omega$, $C_L = 35\ \text{pF}$	25°C	4.3 V		17	23	ns
			Full			25		
Turn-off time	t_{OFF}	$V_{COM} = V_+$, $R_L = 50\ \Omega$, $C_L = 35\ \text{pF}$	25°C	4.3 V		12	32	ns
			Full			35		
Break-before-make time	t_{BBM}	$V_{NC} = V_{NO} = V_+$, $R_L = 50\ \Omega$, $C_L = 35\ \text{pF}$	25°C	4.3 V		2	9	ns
			Full			1	35	
Charge injection	Q_C	$V_{GEN} = 0$, $R_{GEN} = 0$, $C_L = 1\ \text{nF}$	25°C	4.3 V		139		pC
NC, NO off capacitance	$C_{NC(OFF)}$, $C_{NO(OFF)}$	V_{NC} or $V_{NO} = V_+$ or GND, Switch OFF,	25°C	4.3 V		50		pF
NC, NO ON capacitance	$C_{NC(ON)}$, $C_{NO(ON)}$	V_{NC} or $V_{NO} = V_+$ or GND, Switch OFF,	25°C	4.3 V		160		pF
COM ON capacitance	$C_{COM(ON)}$	$V_{COM} = V_+$ or GND, Switch ON,	25°C	4.3 V		160		pF
Digital input capacitance	C_I	$V_I = V_+$ or GND	25°C	4.3 V		2.5		pF
Bandwidth	BW	$R_L = 50\ \Omega$, Switch ON	25°C	4.3 V		35		MHz
OFF isolation	O_{ISO}	$R_L = 50\ \Omega$, $f = 100\ \text{kHz}$, Switch OFF	25°C	4.3 V		-71		dB
Crosstalk	X_{TALK}	$R_L = 50\ \Omega$, $f = 100\ \text{kHz}$, Switch ON	25°C	4.3 V		-73		dB
Total harmonic distortion	THD	$R_L = 600\ \Omega$, $C_L = 50\ \text{pF}$, $f = 20\ \text{Hz}$ to $20\ \text{kHz}$	25°C	4.3 V		0.003		%
Supply								
Positive supply current	I_+	$V_I = V_+$ or GND, Switch ON or OFF	25°C	4.3 V		0.15	0.4	μA
			Full			1.2		

ELECTRICAL CHARACTERISTICS FOR 3.3-V SUPPLY⁽¹⁾
 $V_+ = 3\text{ V to }3.6\text{ V}$, $T_A = -40^\circ\text{C to }85^\circ\text{C}$ (unless otherwise noted)

PARAMETER	SYMBOL	TEST CONDITIONS	T_A	V_+	MIN	TYP	MAX	UNIT	
Analog Switch									
Analog signal range	V_{COM}, V_{NO}, V_{NC}				0		V_+	V	
ON-state resistance	r_{on}	V_{NO} or $V_{NC} = 2.0\text{ V}$, $I_{COM} = -100\text{ mA}$,	Switch ON, See Figure 16	25°C	3 V	0.37	0.55	Ω	
				Full		0.6			
ON-state resistance match between channels	Δr_{on}	V_{NO} or $V_{NC} = 2.0\text{ V}$, 0.8 V, $I_{COM} = -100\text{ mA}$,	Switch ON, See Figure 16	25°C	3 V	0.06	0.07	Ω	
				Full		0.1			
ON-state resistance flatness	$r_{on(Flat)}$	V_{NO} or $V_{NC} = 2.0\text{ V}$, 0.8 V $I_{COM} = -100\text{ mA}$,	Switch ON, See Figure 16	25°C	3 V	0.05	0.1	Ω	
				Full		0.1			
NC, NO OFF leakage current	$I_{NO(OFF)}, I_{NC(OFF)}$	V_{NO} or $V_{NC} = 0.3\text{ V}$, $V_{COM} = 3.0\text{ V}$, or V_{NO} or $V_{NC} = 3.0\text{ V}$, $V_{COM} = 0.3\text{ V}$,	See Figure 17	25°C	3.6 V	-15	5	15	nA
				Full		-50	50		
NC, NO ON leakage current	$I_{NO(ON)}, I_{NC(ON)}$	V_{NO} or $V_{NC} = 0.3\text{ V}$, $V_{COM} = \text{Open}$, or V_{NO} or $V_{NC} = 3.0\text{ V}$, $V_{COM} = \text{Open}$,	See Figure 18	25°C	3.6 V	-15	5	15	nA
				Full		-50	50		
COM ON leakage current	$I_{COM(ON)}$	V_{NO} or $V_{NC} = \text{Open}$, $V_{COM} = 0.3\text{ V}$, or V_{NO} or $V_{NC} = \text{Open}$, $V_{COM} = 3.0\text{ V}$,	See Figure 18	25°C	3.6 V	-15	5	15	nA
				Full		-50	50		
Digital Control Inputs (IN1-2, IN3-4)⁽²⁾									
Input logic high	V_{IH}		Full		1.25		4.3	V	
Input logic low	V_{IL}		Full		0		0.8	V	
Input leakage current	I_{IH}, I_{IL}	$V_{IN} = 3.6\text{ V or }0$	25°C	3.6 V	0.5		10	nA	
			Full		50				

(1) The algebraic convention, whereby the most negative value is a minimum and the most positive value is a maximum

(2) All unused digital inputs of the device must be held at V_+ or GND to ensure proper device operation. Refer to the TI application report, *Implications of Slow or Floating CMOS Inputs*, literature number SCBA004.

ELECTRICAL CHARACTERISTICS FOR 3.3-V SUPPLY (continued)
 $V_+ = 3\text{ V to }3.6\text{ V}$, $T_A = -40^\circ\text{C to }85^\circ\text{C}$ (unless otherwise noted)

PARAMETER	SYMBOL	TEST CONDITIONS	T_A	V_+	MIN	TYP	MAX	UNIT
Dynamic								
Turn-on time	t_{ON}	$V_{COM} = V_+$, $R_L = 50\ \Omega$, $C_L = 35\text{ pF}$	25°C	3 V	20	38	40	ns
			Full	3 V to 3.6 V				
Turn-off time	t_{OFF}	$V_{COM} = V_+$, $R_L = 50\ \Omega$, $C_L = 35\text{ pF}$	25°C	3 V	14	34	35	ns
			Full	3 V to 3.6 V				
Break-before-make time	t_{BBM}	$V_{NC} = V_{NO} = V_+$, $R_L = 50\ \Omega$, $C_L = 35\text{ pF}$	25°C	3 V	3	11	35	ns
			Full	3 V to 3.6 V	2		55	
Charge injection	Q_C	$V_{GEN} = 0$, $R_{GEN} = 0$, $C_L = 1\text{ nF}$	25°C	3 V		109		pC
NC, NO OFF capacitance	$C_{NC(OFF)}$, $C_{NO(OFF)}$	V_{NC} or $V_{NO} = V_+$ or GND, Switch OFF, See Figure 19	25°C	3 V		51		pF
NC, NO ON capacitance	$C_{NC(ON)}$, $C_{NO(ON)}$	V_{NC} or $V_{NO} = V_+$ or GND, Switch OFF, See Figure 19	25°C	3 V		162		pF
COM ON capacitance	$C_{COM(ON)}$	$V_{COM} = V_+$ or GND, Switch ON, See Figure 19	25°C	3 V		162		pF
Digital input capacitance	C_I	$V_I = V_+$ or GND	25°C	3 V		2.5		pF
Bandwidth	BW	$R_L = 50\ \Omega$, Switch ON	25°C	3 V		35		MHz
OFF isolation	O_{ISO}	$R_L = 50\ \Omega$, $f = 100\text{ kHz}$, Switch OFF	25°C	3 V		-71		dB
Crosstalk	X_{TALK}	$R_L = 50\ \Omega$, $f = 100\text{ kHz}$, Switch ON	25°C	3 V		-73		dB
Total harmonic distortion	THD	$R_L = 600\ \Omega$, $C_L = 50\text{ pF}$, $f = 20\text{ Hz to }20\text{ kHz}$	25°C	3 V		0.003		%
Supply								
Positive supply current	I_+	$V_I = V_+$ or GND, Switch ON or OFF	25°C	3.6 V	0.015	0.2	0.7	μA
			Full					

ELECTRICAL CHARACTERISTICS FOR 2.5-V SUPPLY⁽¹⁾
 $V_+ = 2.3 \text{ V to } 2.7 \text{ V}$, $T_A = -40^\circ\text{C to } 85^\circ\text{C}$ (unless otherwise noted)

PARAMETER	SYMBOL	TEST CONDITIONS	T_A	V_+	MIN	TYP	MAX	UNIT	
Analog Switch									
Analog signal range	V_{COM}, V_{NO}, V_{NC}				0		V_+	V	
ON-state resistance	r_{on}	V_{NO} or $V_{NC} = 1.8 \text{ V}$, $I_{COM} = -100 \text{ mA}$, Switch ON, See Figure 16	25°C	2.3 V		0.45	0.6	Ω	
			Full			0.7			
ON-state resistance match between channels	Δr_{on}	V_{NO} or $V_{NC} = 1.8 \text{ V}, 0.8 \text{ V}$, $I_{COM} = -100 \text{ mA}$, Switch ON, See Figure 16	25°C	2.3 V		0.045	0.07	Ω	
			Full			0.1			
ON-state resistance flatness	$r_{on(Flat)}$	V_{NO} or $V_{NC} = 1.8 \text{ V}, 0.8 \text{ V}$, $I_{COM} = -100 \text{ mA}$, Switch ON, See Figure 16	25°C	2.3 V		0.06	0.15	Ω	
			Full			0.2			
NC, NO OFF leakage current	$I_{NO(OFF)}, I_{NC(OFF)}$	V_{NO} or $V_{NC} = 0.3 \text{ V}$, $V_{COM} = 2.3 \text{ V}$, or V_{NO} or $V_{NC} = 2.3 \text{ V}$, $V_{COM} = 0.3 \text{ V}$, See Figure 17	25°C	2.7 V		-10	0.5	10	nA
			Full			-20	20		
NC, NO ON leakage current	$I_{NO(ON)}, I_{NC(ON)}$	V_{NO} or $V_{NC} = 0.3 \text{ V}$, $V_{COM} = \text{Open}$, or V_{NO} or $V_{NC} = 2.3 \text{ V}$, $V_{COM} = \text{Open}$, See Figure 18	25°C	2.7 V		-10	0.1	10	nA
			Full			-20	20		
COM ON leakage current	$I_{COM(ON)}$	V_{NO} or $V_{NC} = \text{Open}$, $V_{COM} = 0.3 \text{ V}$, or V_{NO} or $V_{NC} = \text{Open}$, $V_{COM} = 2.3 \text{ V}$, See Figure 18	25°C	2.7 V		-10	0.1	10	nA
			Full			-20	20		
Digital Control Inputs (IN1-2, IN3-4)⁽²⁾									
Input logic high	V_{IH}		Full			1.2	4.3	V	
Input logic low	V_{IL}		Full			0	0.6	V	
Input leakage current	I_{IH}, I_{IL}	$V_{IN} = 3.6 \text{ V or } 0$	25°C	2.7 V		0.5	10	nA	
			Full			50			

(1) The algebraic convention, whereby the most negative value is a minimum and the most positive value is a maximum

(2) All unused digital inputs of the device must be held at V_+ or GND to ensure proper device operation. Refer to the TI application report, *Implications of Slow or Floating CMOS Inputs*, literature number SCBA004.

ELECTRICAL CHARACTERISTICS FOR 2.5-V SUPPLY (continued)
 $V_+ = 2.3 \text{ V to } 2.7 \text{ V}$, $T_A = -40^\circ\text{C to } 85^\circ\text{C}$ (unless otherwise noted)

PARAMETER	SYMBOL	TEST CONDITIONS	T_A	V_+	MIN	TYP	MAX	UNIT
Dynamic								
Turn-on time	t_{ON}	$V_{COM} = V_+$, $R_L = 50 \Omega$, $C_L = 35 \text{ pF}$	25°C	2.5 V	2.6	47	ns	
			Full	2.3 V to 2.7 V		50		
Turn-off time	t_{OFF}	$V_{COM} = V_+$, $R_L = 50 \Omega$, $C_L = 35 \text{ pF}$	25°C	2.5 V	16.5	34	ns	
			Full	2.3 V to 2.7 V		35		
Break-before-make time	t_{BBM}	$V_{NC} = V_{NO} = V_+$, $R_L = 50 \Omega$, $C_L = 35 \text{ pF}$	25°C	2.5 V	4	15	35	ns
			Full	2.3 V to 2.7 V	3		35	
Charge injection	Q_C	$V_{GEN} = 0$, $R_{GEN} = 0$, $C_L = 1 \text{ nF}$	25°C	2.5 V		84	pC	
NC, NO OFF capacitance	$C_{NC(OFF)}$, $C_{NO(OFF)}$	V_{NC} or $V_{NO} = V_+$ or GND, Switch OFF, See Figure 19	25°C	2.5 V		52	pF	
NC, NO ON capacitance	$C_{NC(ON)}$, $C_{NO(ON)}$	V_{NC} or $V_{NO} = V_+$ or GND, Switch OFF, See Figure 19	25°C	2.5 V		163	pF	
COM ON capacitance	$C_{COM(ON)}$	$V_{COM} = V_+$ or GND, See Figure 19	25°C	2.5 V		163	pF	
Digital input capacitance	C_I	$V_I = V_+$ or GND	25°C	2.5 V		2.5	pF	
Bandwidth	BW	$R_L = 50 \Omega$, Switch ON	25°C	2.5 V		35	MHz	
OFF isolation	O_{ISO}	$R_L = 50 \Omega$, $f = 100 \text{ kHz}$, Switch OFF	25°C	2.5 V		-71	dB	
Crosstalk	X_{TALK}	$R_L = 50 \Omega$, $f = 100 \text{ kHz}$, Switch ON	25°C	2.5 V		-73	dB	
Total harmonic distortion	THD	$R_L = 600 \Omega$, $C_L = 50 \text{ pF}$, $f = 20 \text{ Hz to } 20 \text{ kHz}$	25°C	2.5 V		0.009	%	
Supply								
Positive supply current	I_+	$V_I = V_+$ or GND, Switch ON or OFF	25°C	2.5 V	0.004	0.1	μA	
			Full			0.5		

ELECTRICAL CHARACTERISTICS FOR 1.8-V SUPPLY⁽¹⁾
 $V_+ = 1.65\text{ V to }1.95\text{ V}$, $T_A = -40^\circ\text{C to }85^\circ\text{C}$ (unless otherwise noted)

PARAMETER	SYMBOL	TEST CONDITIONS	T_A	V_+	MIN	TYP	MAX	UNIT	
Analog Switch									
Analog signal range	V_{COM}, V_{NO}, V_{NC}				0		V_+	V	
ON-state resistance	r_{on}	V_{NO} or $V_{NC} = 1.5\text{ V}$, $I_{COM} = -100\text{ mA}$,	Switch ON, See Figure 16	25°C	1.65 V	0.5	0.7	Ω	
				Full		0.8			
ON-state resistance match between channels	Δr_{on}	V_{NO} or $V_{NC} = 1.5\text{ V}$, 0.6 V $I_{COM} = -100\text{ mA}$,	Switch ON, See Figure 16	25°C	1.65 V	0.05	0.07	Ω	
				Full		0.1			
ON-state resistance flatness	$r_{on(Flat)}$	V_{NO} or $V_{NC} = 1.5\text{ V}$, 0.6 V 1.5 V, 2.5 V, $I_{COM} = -100\text{ mA}$,	Switch ON, See Figure 16	25°C	1.65 V	0.5	0.7	Ω	
				Full		0.8			
NC, NO OFF leakage current	$I_{NO(OFF)}, I_{NC(OFF)}$	V_{NO} or $V_{NC} = 0.3\text{ V}$, $V_{COM} = 1.65\text{ V}$, or V_{NO} or $V_{NC} = 1.65\text{ V}$, $V_{COM} = 0.3\text{ V}$,	See Figure 17	25°C	1.95 V	-10	0.5	10	nA
				Full		-20	20		
NC, NO ON leakage current	$I_{NO(ON)}, I_{NC(ON)}$	V_{NO} or $V_{NC} = 0.3\text{ V}$, $V_{COM} = \text{Open}$, or V_{NO} or $V_{NC} = 1.65\text{ V}$, $V_{COM} = \text{Open}$,	See Figure 18	25°C	1.95 V	-10	0.1	10	nA
				Full		-20	20		
COM ON leakage current	$I_{COM(ON)}$	V_{NO} or $V_{NC} = \text{Open}$, $V_{COM} = 0.3\text{ V}$, or V_{NO} or $V_{NC} = \text{Open}$, $V_{COM} = 1.65\text{ V}$,	See Figure 18	25°C	1.95 V	-10	0.1	10	nA
				Full		-20	20		
Digital Control Inputs (IN1-2, IN3-4)⁽²⁾									
Input logic high	V_{IH}		Full		1		4.3	V	
Input logic low	V_{IL}		Full		0		0.4	V	
Input leakage current	I_{IH}, I_{IL}	$V_{IN} = 3.6\text{ V or }0$	25°C	1.95 V	0.5		10	nA	
			Full		50				

(1) The algebraic convention, whereby the most negative value is a minimum and the most positive value is a maximum

(2) All unused digital inputs of the device must be held at V_+ or GND to ensure proper device operation. Refer to the TI application report, *Implications of Slow or Floating CMOS Inputs*, literature number SCBA004.

ELECTRICAL CHARACTERISTICS FOR 1.8-V SUPPLY (continued)
 $V_+ = 1.65\text{ V to }1.95\text{ V}$, $T_A = -40^\circ\text{C to }85^\circ\text{C}$ (unless otherwise noted)

PARAMETER	SYMBOL	TEST CONDITIONS	T_A	V_+	MIN	TYP	MAX	UNIT
Dynamic								
Turn-on time	t_{ON}	$V_{COM} = V_+$, $R_L = 50\ \Omega$, $C_L = 35\text{ pF}$	25°C	1.8 V	40	70	ns	
			Full	1.65 V to 1.95 V	75			
Turn-off time	t_{OFF}	$V_{COM} = V_+$, $R_L = 50\ \Omega$, $C_L = 35\text{ pF}$	25°C	1.8 V	22	45	ns	
			Full	1.65 V to 1.95 V	50			
Break-before-make time	t_{BBM}	$V_{NC} = V_{NO} = V_+$, $R_L = 50\ \Omega$, $C_L = 35\text{ pF}$	25°C	1.8 V	5	25	70	ns
			Full	1.65 V to 1.95 V	4	75		
Charge injection	Q_C	$V_{GEN} = 0$, $R_{GEN} = 0$, $C_L = 1\text{ nF}$	25°C	1.8 V	64		pC	
NC, NO OFF capacitance	$C_{NC(OFF)}$, $C_{NO(OFF)}$	V_{NC} or $V_{NO} = V_+$ or GND, Switch OFF, See Figure 19	25°C	1.8 V	52		pF	
NC, NO ON capacitance	$C_{NC(ON)}$, $C_{NO(ON)}$	V_{NC} or $V_{NO} = V_+$ or GND, Switch OFF, See Figure 19	25°C	1.8 V	164		pF	
COM ON capacitance	$C_{COM(ON)}$	$V_{COM} = V_+$ or GND, Switch ON, See Figure 19	25°C	1.8 V	164		pF	
Digital input capacitance	C_I	$V_I = V_+$ or GND	25°C	1.8 V	2.5		pF	
Bandwidth	BW	$R_L = 50\ \Omega$, Switch ON	25°C	1.8 V	35		MHz	
OFF isolation	O_{ISO}	$R_L = 50\ \Omega$, $f = 100\text{ kHz}$, Switch OFF	25°C	1.8 V	-71		dB	
Crosstalk	X_{TALK}	$R_L = 50\ \Omega$, $f = 100\text{ kHz}$, Switch ON	25°C	1.8 V	-73		dB	
Total harmonic distortion	THD	$R_L = 600\ \Omega$, $C_L = 50\text{ pF}$, $f = 20\text{ Hz to }20\text{ kHz}$	25°C	1.8 V	0.1		%	
Supply								
Positive supply current	I_+	$V_I = V_+$ or GND, Switch ON or OFF	25°C	1.95 V	0.001	0.05	μA	
			Full		0.15			

TYPICAL PERFORMANCE

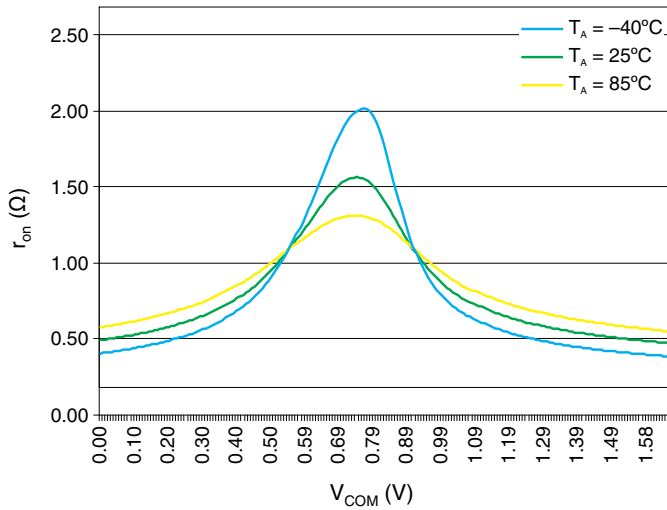


Figure 1. r_{on} vs V_{COM} ($V_+ = 1.65$ V)

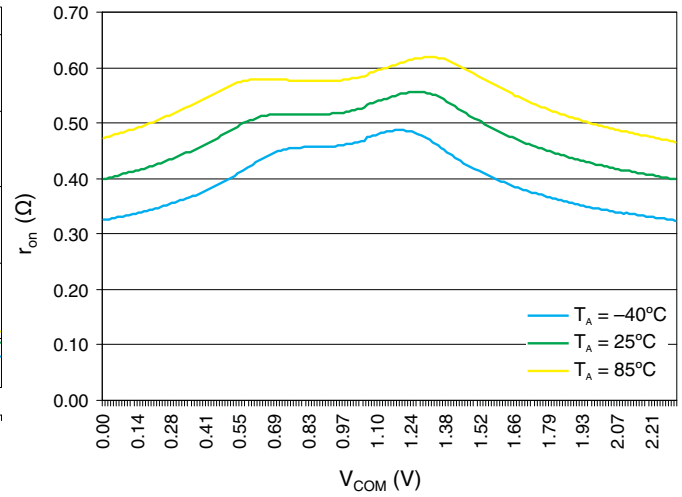


Figure 2. r_{on} vs V_{COM} ($V_+ = 2.3$ V)

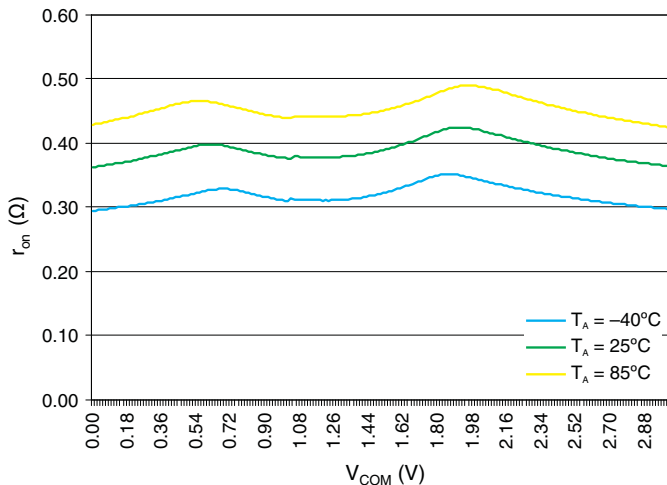


Figure 3. r_{on} vs V_{COM} ($V_+ = 3$ V)

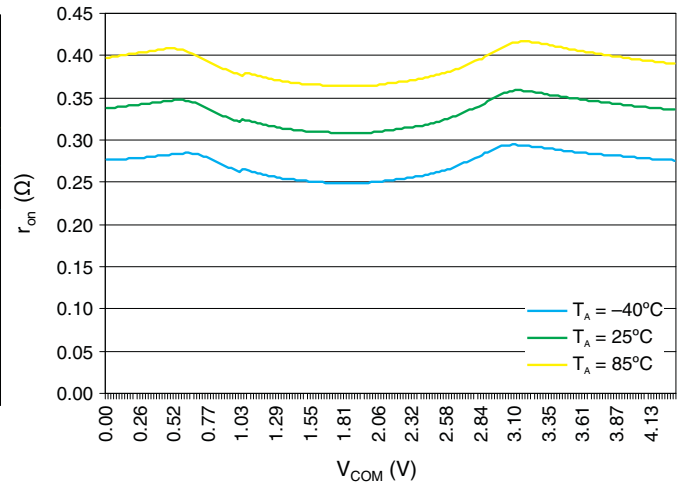


Figure 4. r_{on} vs V_{COM} ($V_+ = 4.3$ V)

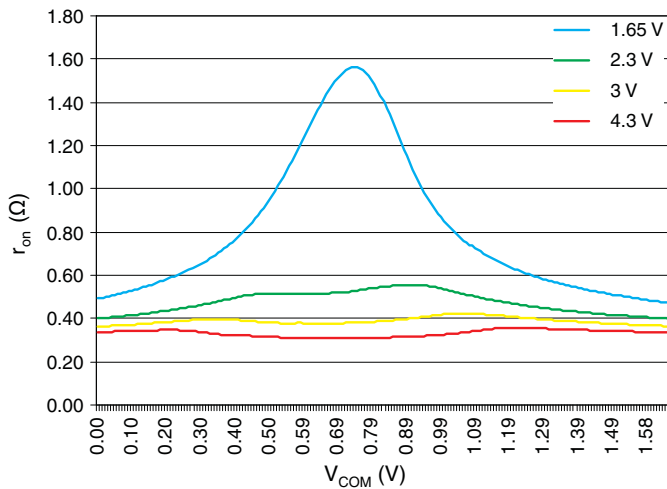


Figure 5. r_{on} vs V_{COM} (All Voltages)

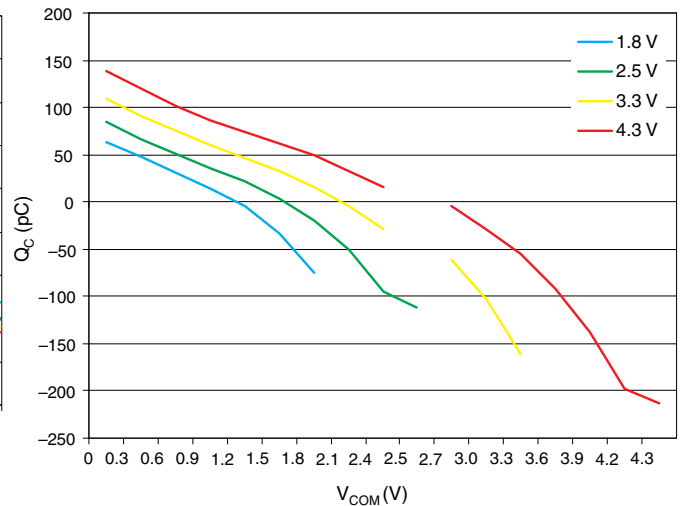


Figure 6. Charge Injection (Q_C) vs V_{COM} ($T_A = 25^\circ\text{C}$)

TYPICAL PERFORMANCE (continued)

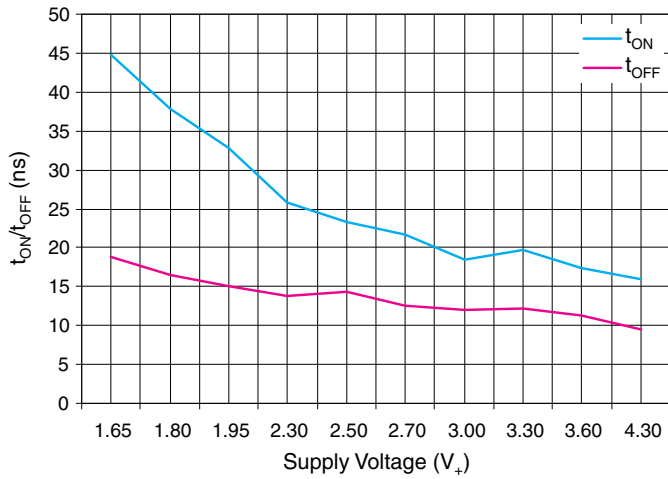


Figure 7. t_{ON} and t_{OFF} vs Supply Voltage (T_A = 25°C)

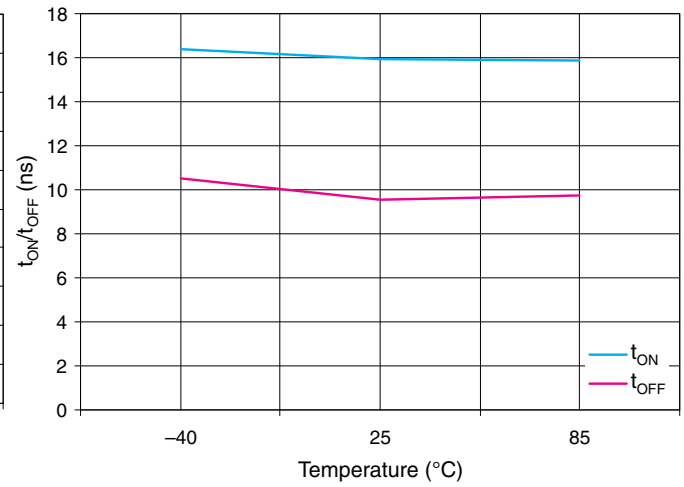


Figure 8. t_{ON} and t_{OFF} vs Temperature (V₊ = 4.3 V)

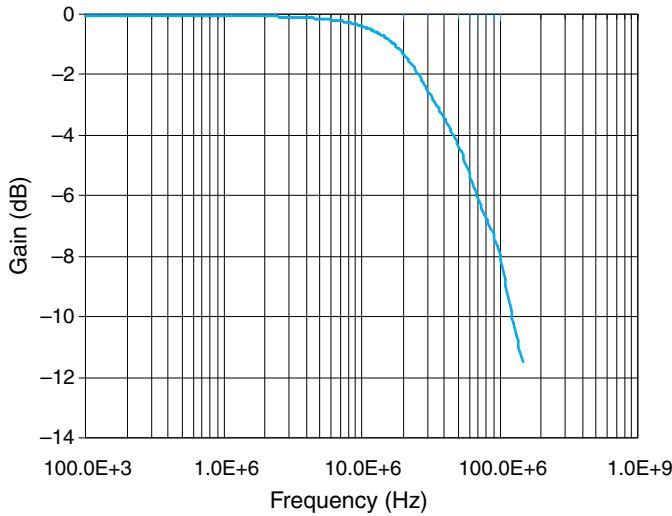


Figure 9. Bandwidth

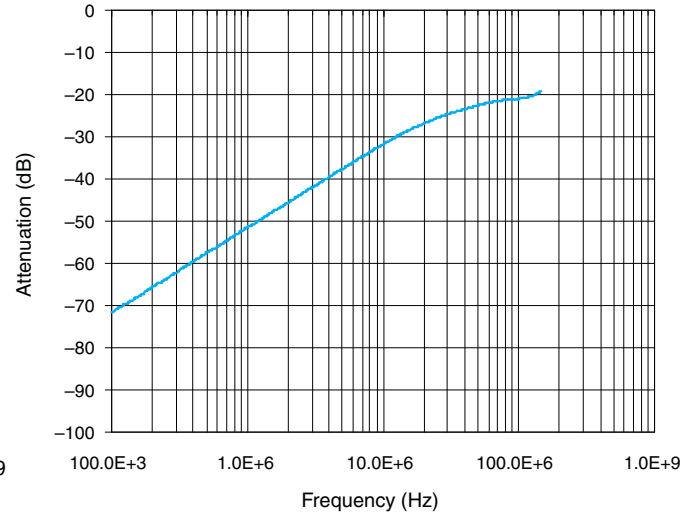


Figure 10. OFF Isolation

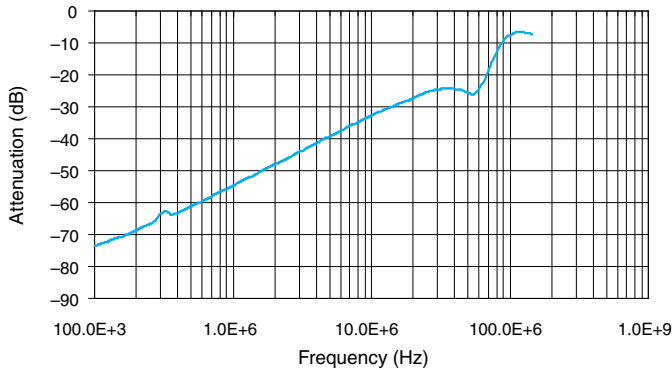


Figure 11. Crosstalk

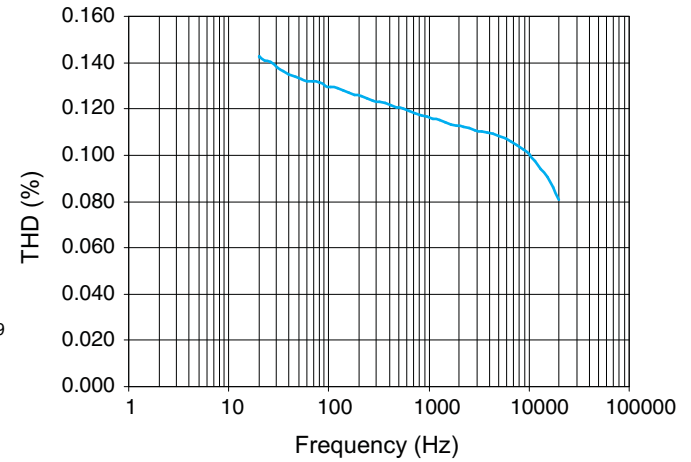


Figure 12. Total Harmonic Distortion vs Frequency (V₊ = 1.8 V)

TYPICAL PERFORMANCE (continued)

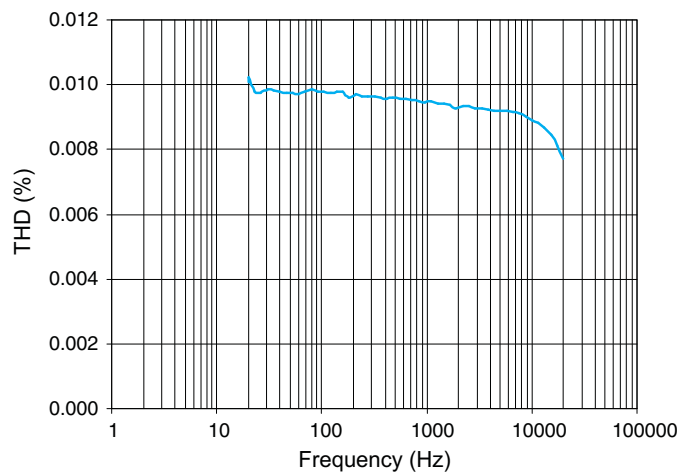


Figure 13. Total Harmonic Distortion vs Frequency
($V_+ = 2.5\text{ V}$)

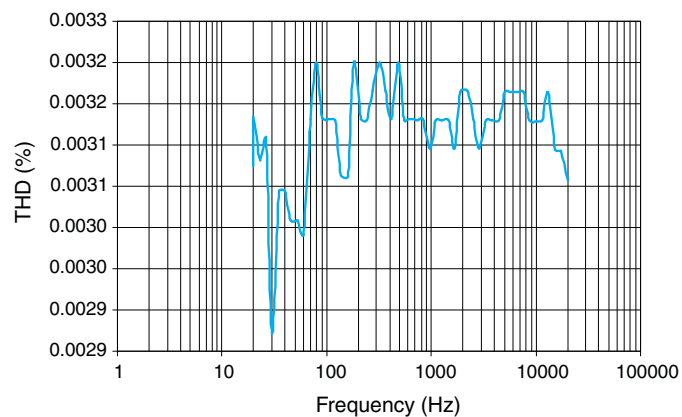


Figure 14. Total Harmonic Distortion vs Frequency
($V_+ = 3.3\text{ V}$)

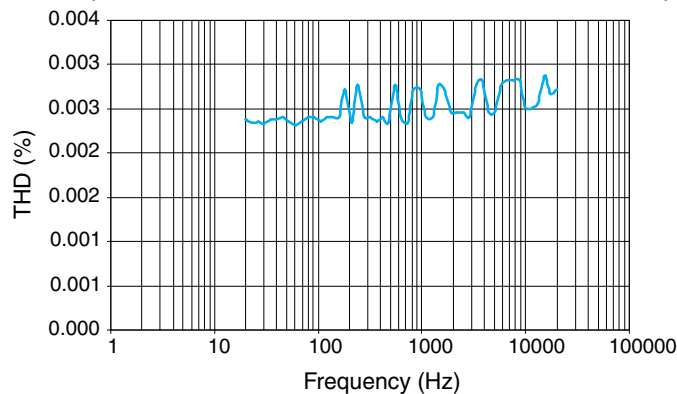


Figure 15. Total Harmonic Distortion vs Frequency
($V_+ = 4.3\text{ V}$)

PARAMETER MEASUREMENT INFORMATION

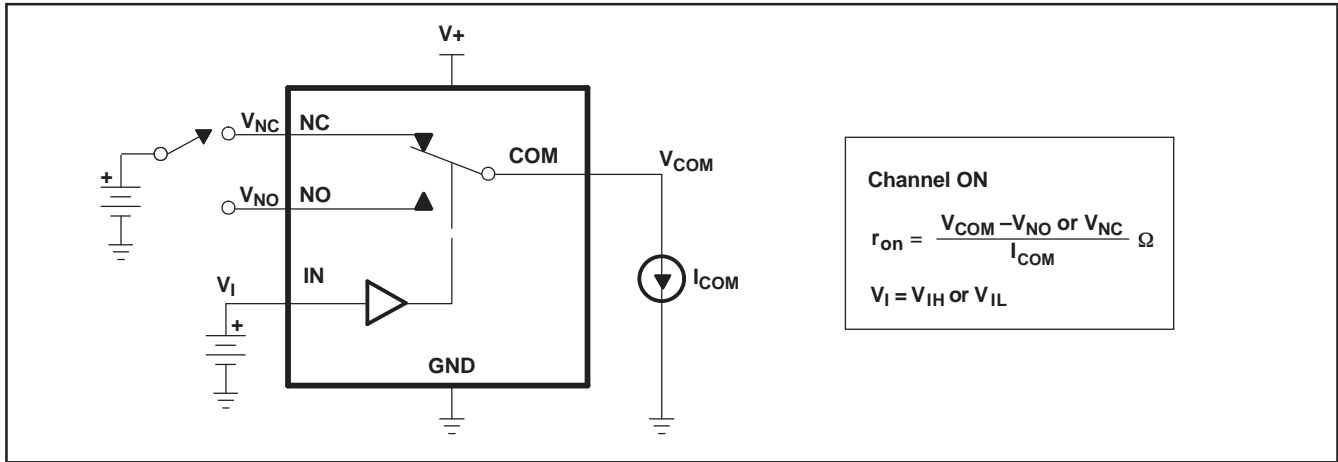


Figure 16. ON-state Resistance (r_{ON})

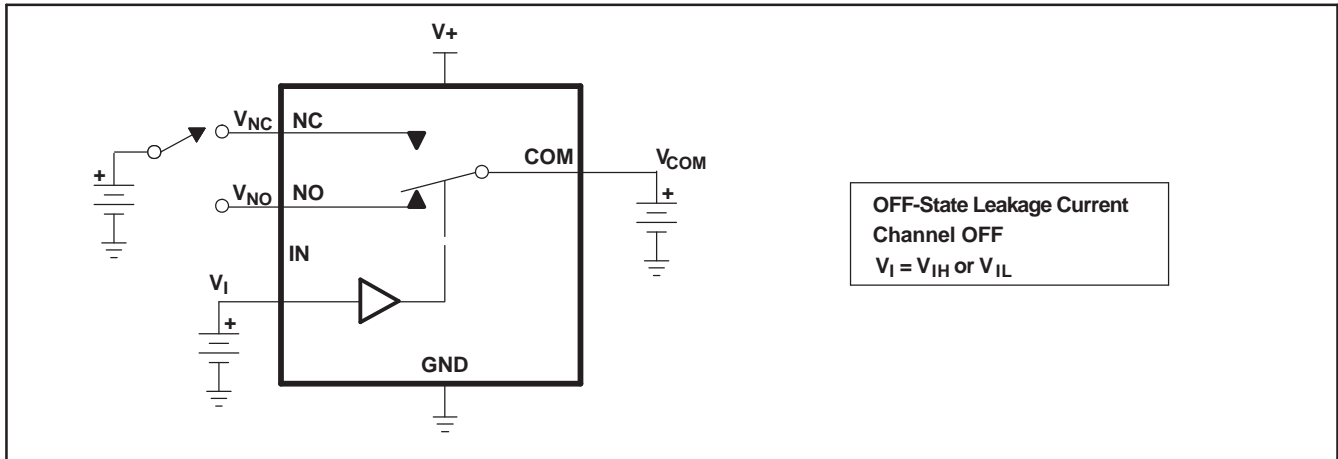


Figure 17. OFF-State Leakage Current
($I_{NC(OFF)}$, $I_{NC(PWROFF)}$, $I_{NO(OFF)}$, $I_{NO(PWROFF)}$, $I_{COM(OFF)}$, $I_{COM(PWROFF)}$)

PARAMETER MEASUREMENT INFORMATION (continued)

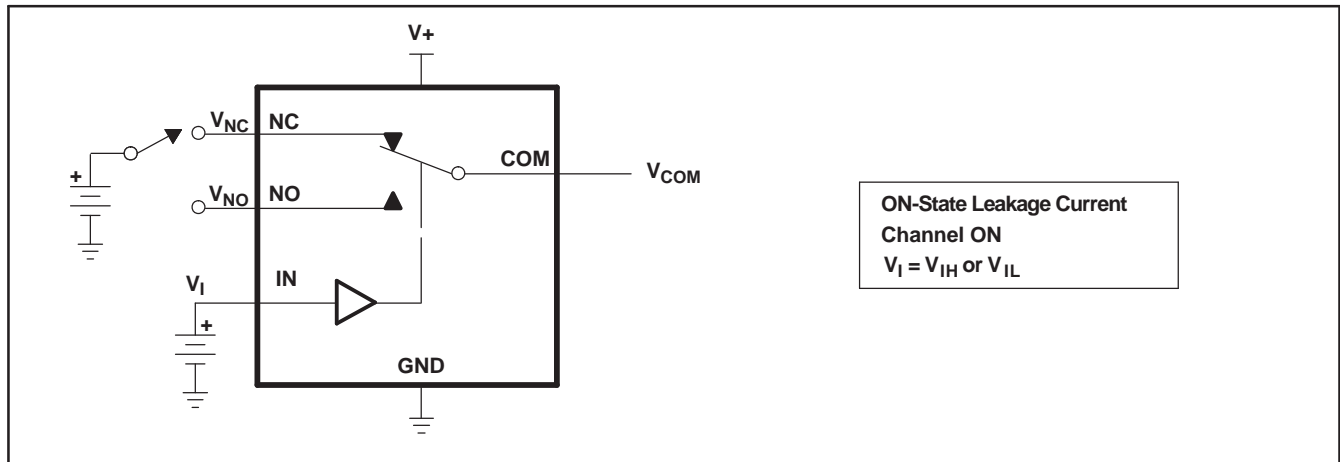


Figure 18. ON-State Leakage Current ($I_{COM(ON)}$, $I_{NC(ON)}$, $I_{NO(ON)}$)

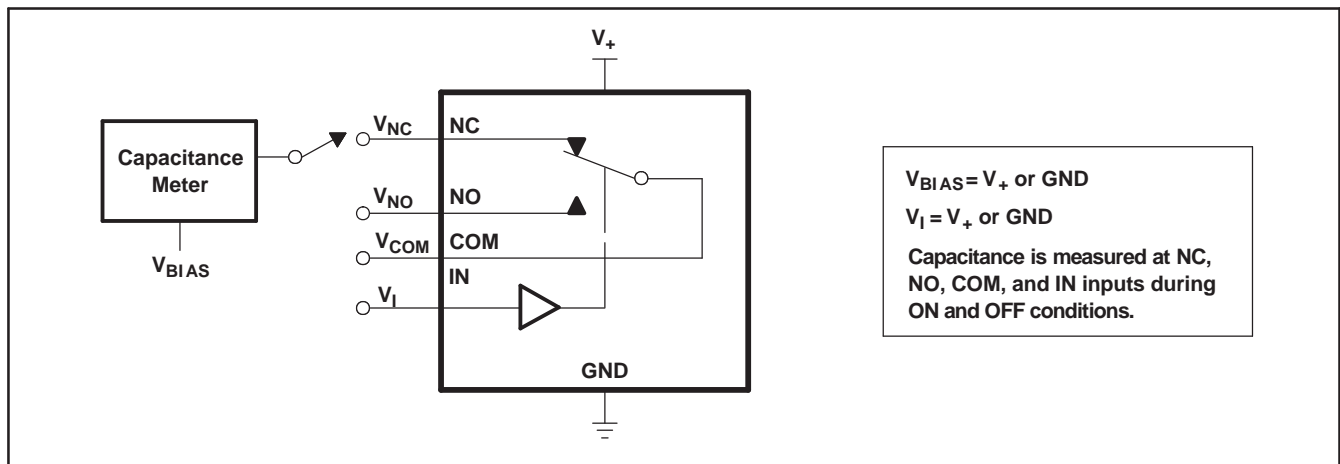
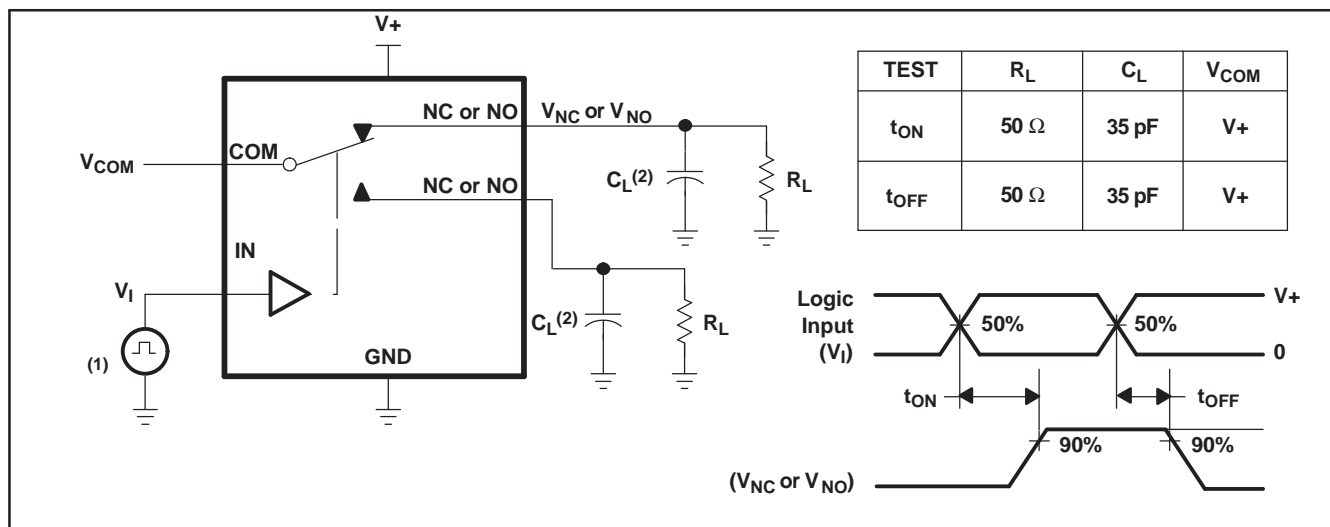


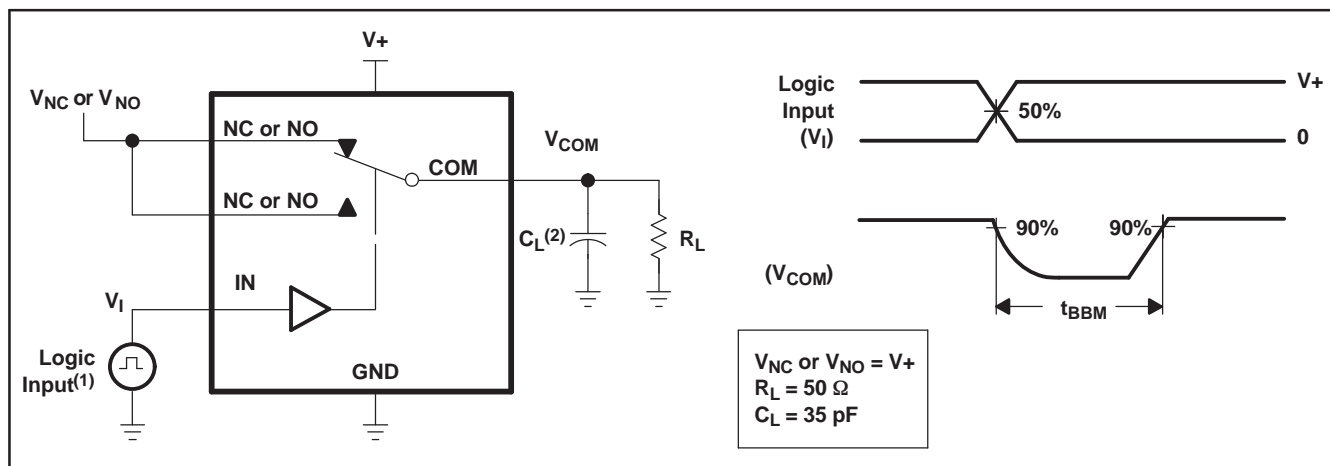
Figure 19. Capacitance (C_I , $C_{COM(ON)}$, $C_{NC(OFF)}$, $C_{NO(OFF)}$, $C_{NC(ON)}$, $C_{NO(ON)}$)

PARAMETER MEASUREMENT INFORMATION (continued)



- A. All input pulses are supplied by generators having the following characteristics: PRR ≤ 10 MHz, Z_O = 50 Ω, t_r < 5 ns, t_f < 5 ns.
- B. C_L includes probe and jig capacitance.

Figure 20. Turn-On (t_{ON}) and Turn-Off Time (t_{OFF})



- A. C_L includes probe and jig capacitance.
- B. All input pulses are supplied by generators having the following characteristics: PRR ≤ 10 MHz, Z_O = 50 Ω, t_r < 5 ns, t_f < 5 ns.

Figure 21. Break-Before-Make Time (t_{BBM})

PARAMETER MEASUREMENT INFORMATION (continued)

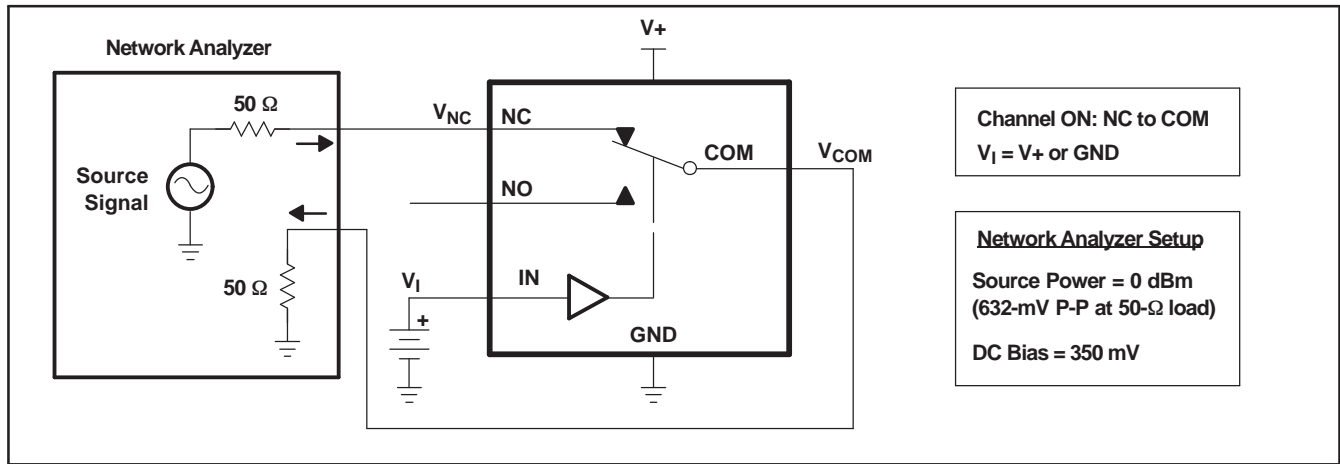


Figure 22. Bandwidth (BW)

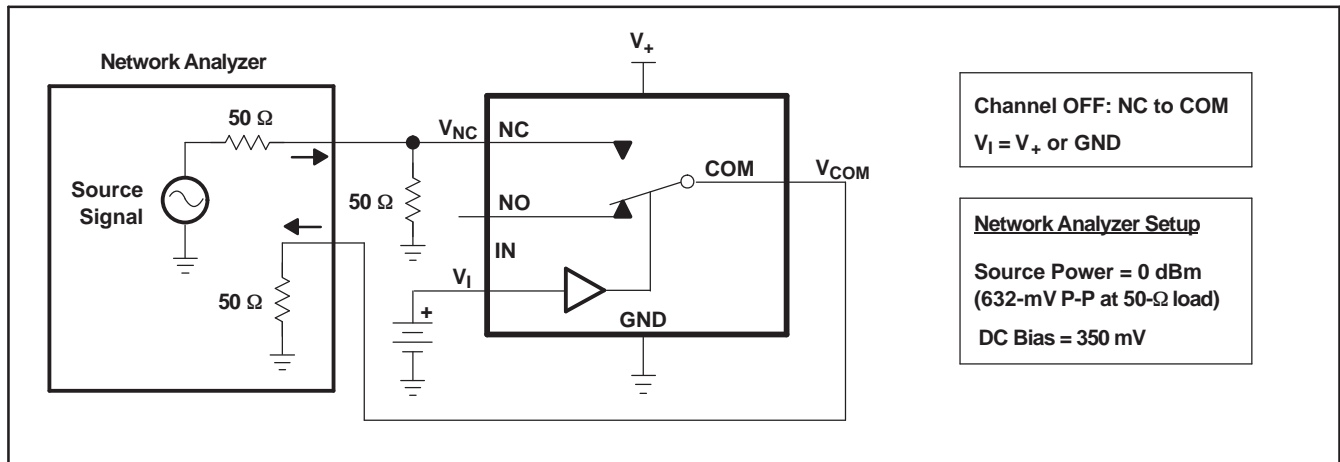


Figure 23. OFF Isolation (O_{ISO})

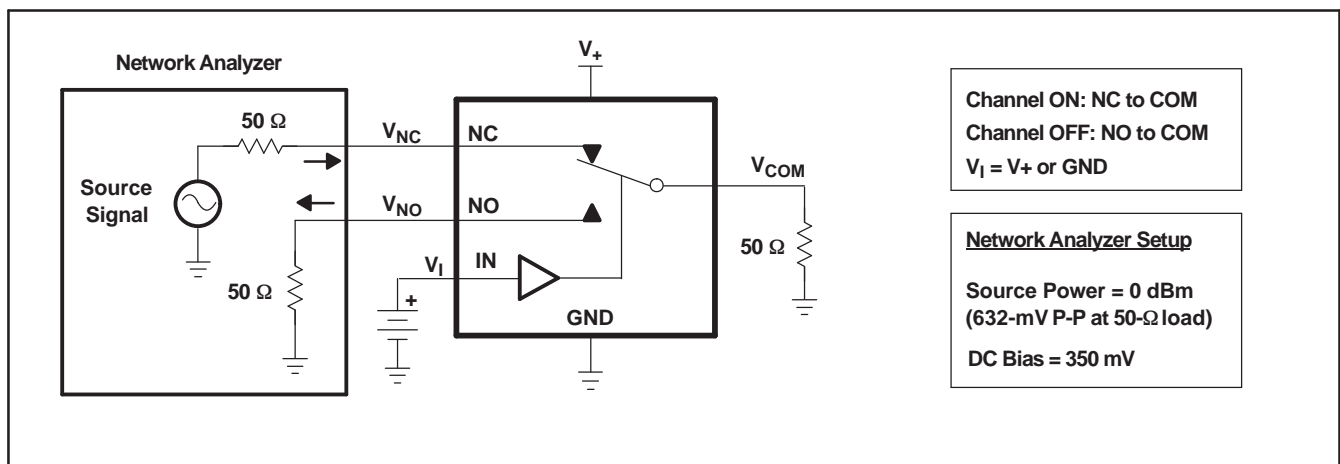
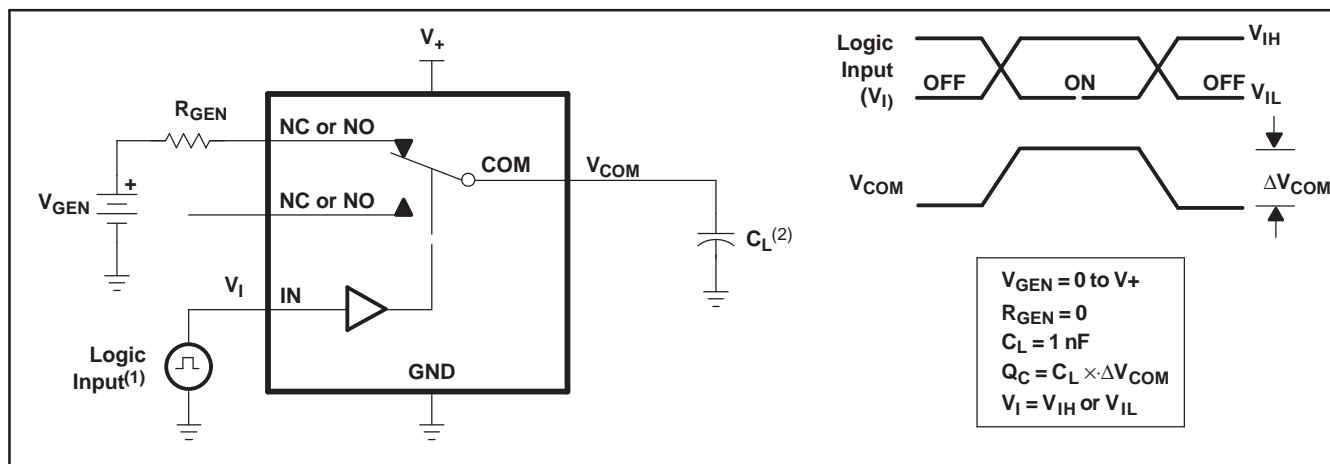


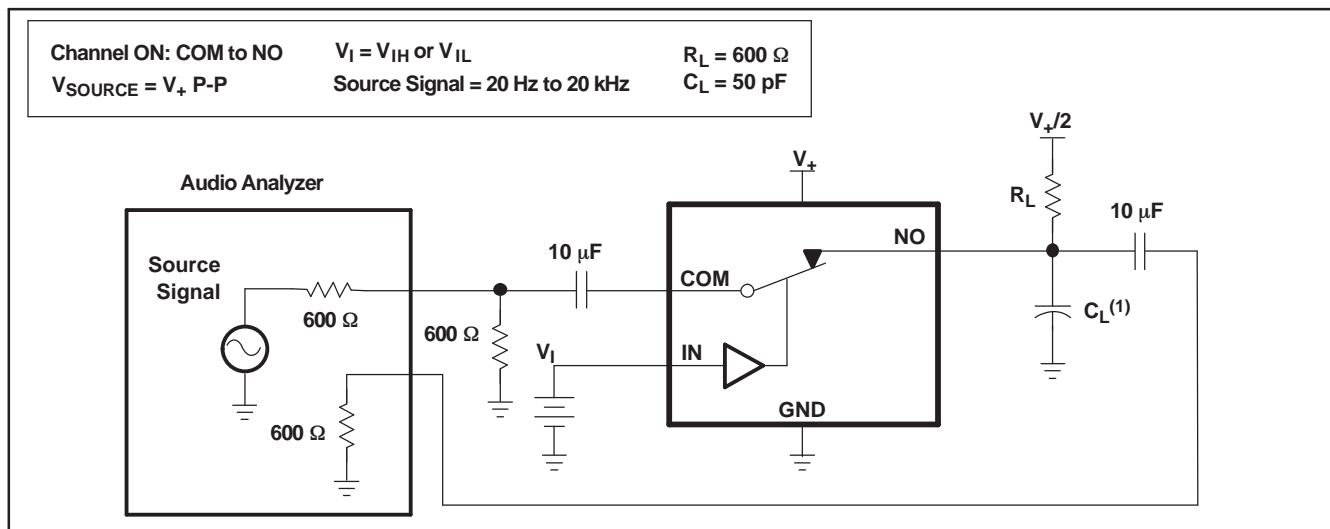
Figure 24. Crosstalk (X_{TALK})

PARAMETER MEASUREMENT INFORMATION (continued)



- A. All input pulses are supplied by generators having the following characteristics: PRR ≤ 10 MHz, Z_O = 50 Ω, t_r < 5 ns, t_f < 5 ns.
- B. C_L includes probe and jig capacitance.

Figure 25. Charge Injection (Q_C)



- A. C_L includes probe and jig capacitance.

Figure 26. Total Harmonic Distortion (THD)

PACKAGING INFORMATION

Orderable Device	Status (1)	Package Type	Package Drawing	Pins	Package Qty	Eco Plan (2)	Lead/Ball Finish (6)	MSL Peak Temp (3)	Op Temp (°C)	Device Marking (4/5)	Samples
TS3A44159PWR	ACTIVE	TSSOP	PW	16	2000	Green (RoHS & no Sb/Br)	CU NIPDAU	Level-1-260C-UNLIM	-40 to 85	YC4159	Samples
TS3A44159PWRG4	ACTIVE	TSSOP	PW	16	2000	Green (RoHS & no Sb/Br)	CU NIPDAU	Level-1-260C-UNLIM	-40 to 85	YC4159	Samples
TS3A44159RGTR	ACTIVE	QFN	RGT	16	3000	Green (RoHS & no Sb/Br)	CU NIPDAU	Level-1-260C-UNLIM	-40 to 85	ZWH	Samples
TS3A44159RGTRG4	ACTIVE	QFN	RGT	16	3000	Green (RoHS & no Sb/Br)	CU NIPDAU	Level-1-260C-UNLIM	-40 to 85	ZWH	Samples
TS3A44159RSVR	ACTIVE	UQFN	RSV	16	3000	Green (RoHS & no Sb/Br)	CU NIPDAU CU NIPDAUAG	Level-1-260C-UNLIM	-40 to 85	ZWH	Samples
TS3A44159RSVRG4	ACTIVE	UQFN	RSV	16	3000	Green (RoHS & no Sb/Br)	CU NIPDAU	Level-1-260C-UNLIM	-40 to 85	ZWH	Samples

(1) The marketing status values are defined as follows:

ACTIVE: Product device recommended for new designs.

LIFEBUY: TI has announced that the device will be discontinued, and a lifetime-buy period is in effect.

NRND: Not recommended for new designs. Device is in production to support existing customers, but TI does not recommend using this part in a new design.

PREVIEW: Device has been announced but is not in production. Samples may or may not be available.

OBSELETE: TI has discontinued the production of the device.

(2) Eco Plan - The planned eco-friendly classification: Pb-Free (RoHS), Pb-Free (RoHS Exempt), or Green (RoHS & no Sb/Br) - please check <http://www.ti.com/productcontent> for the latest availability information and additional product content details.

TBD: The Pb-Free/Green conversion plan has not been defined.

Pb-Free (RoHS): TI's terms "Lead-Free" or "Pb-Free" mean semiconductor products that are compatible with the current RoHS requirements for all 6 substances, including the requirement that lead not exceed 0.1% by weight in homogeneous materials. Where designed to be soldered at high temperatures, TI Pb-Free products are suitable for use in specified lead-free processes.

Pb-Free (RoHS Exempt): This component has a RoHS exemption for either 1) lead-based flip-chip solder bumps used between the die and package, or 2) lead-based die adhesive used between the die and leadframe. The component is otherwise considered Pb-Free (RoHS compatible) as defined above.

Green (RoHS & no Sb/Br): TI defines "Green" to mean Pb-Free (RoHS compatible), and free of Bromine (Br) and Antimony (Sb) based flame retardants (Br or Sb do not exceed 0.1% by weight in homogeneous material)

(3) MSL, Peak Temp. - The Moisture Sensitivity Level rating according to the JEDEC industry standard classifications, and peak solder temperature.

(4) There may be additional marking, which relates to the logo, the lot trace code information, or the environmental category on the device.

(5) Multiple Device Markings will be inside parentheses. Only one Device Marking contained in parentheses and separated by a "~" will appear on a device. If a line is indented then it is a continuation of the previous line and the two combined represent the entire Device Marking for that device.

⁽⁶⁾ Lead/Ball Finish - Orderable Devices may have multiple material finish options. Finish options are separated by a vertical ruled line. Lead/Ball Finish values may wrap to two lines if the finish value exceeds the maximum column width.

Important Information and Disclaimer: The information provided on this page represents TI's knowledge and belief as of the date that it is provided. TI bases its knowledge and belief on information provided by third parties, and makes no representation or warranty as to the accuracy of such information. Efforts are underway to better integrate information from third parties. TI has taken and continues to take reasonable steps to provide representative and accurate information but may not have conducted destructive testing or chemical analysis on incoming materials and chemicals. TI and TI suppliers consider certain information to be proprietary, and thus CAS numbers and other limited information may not be available for release.

In no event shall TI's liability arising out of such information exceed the total purchase price of the TI part(s) at issue in this document sold by TI to Customer on an annual basis.

TAPE AND REEL INFORMATION

QUADRANT ASSIGNMENTS FOR PIN 1 ORIENTATION IN TAPE


*All dimensions are nominal

Device	Package Type	Package Drawing	Pins	SPQ	Reel Diameter (mm)	Reel Width W1 (mm)	A0 (mm)	B0 (mm)	K0 (mm)	P1 (mm)	W (mm)	Pin1 Quadrant
TS3A44159PWR	TSSOP	PW	16	2000	330.0	12.4	6.9	5.6	1.6	8.0	12.0	Q1
TS3A44159RGTR	QFN	RGT	16	3000	330.0	12.4	3.3	3.3	1.0	8.0	12.0	Q2
TS3A44159RSVR	UQFN	RSV	16	3000	177.8	12.4	2.0	2.8	0.7	4.0	12.0	Q1
TS3A44159RSVR	UQFN	RSV	16	3000	180.0	12.4	2.1	2.9	0.75	4.0	12.0	Q1

TAPE AND REEL BOX DIMENSIONS


*All dimensions are nominal

Device	Package Type	Package Drawing	Pins	SPQ	Length (mm)	Width (mm)	Height (mm)
TS3A44159PWR	TSSOP	PW	16	2000	367.0	367.0	35.0
TS3A44159RGTR	QFN	RGT	16	3000	346.0	346.0	35.0
TS3A44159RSVR	UQFN	RSV	16	3000	202.0	201.0	28.0
TS3A44159RSVR	UQFN	RSV	16	3000	203.0	203.0	35.0

PW (R-PDSO-G16)

PLASTIC SMALL OUTLINE



- NOTES:
- A. All linear dimensions are in millimeters. Dimensioning and tolerancing per ASME Y14.5M-1994.
 - B. This drawing is subject to change without notice.
 - C. Body length does not include mold flash, protrusions, or gate burrs. Mold flash, protrusions, or gate burrs shall not exceed 0,15 each side.
 - D. Body width does not include interlead flash. Interlead flash shall not exceed 0,25 each side.
 - E. Falls within JEDEC MO-153

PW (R-PDSO-G16)

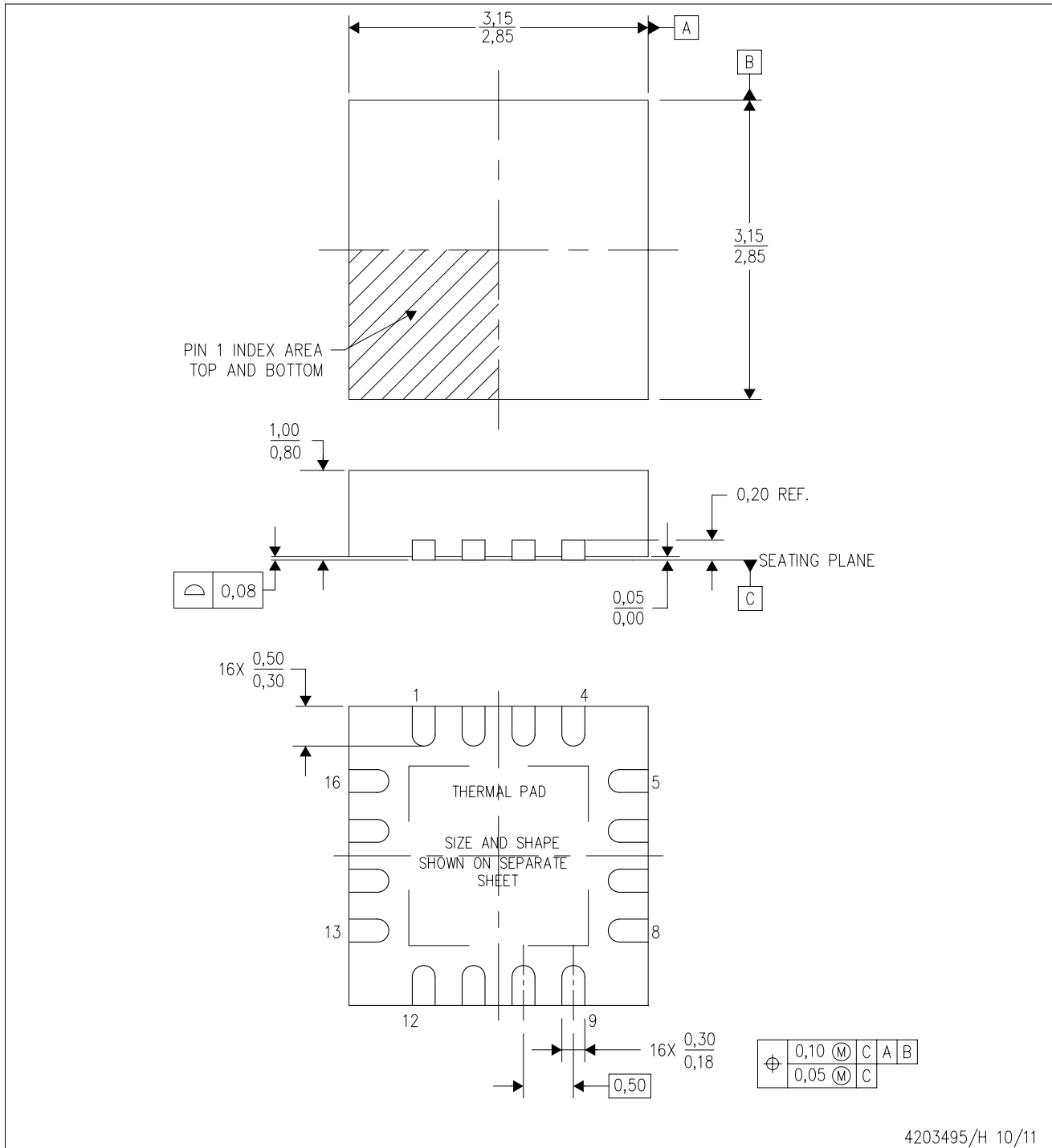
PLASTIC SMALL OUTLINE



- NOTES:
- A. All linear dimensions are in millimeters.
 - B. This drawing is subject to change without notice.
 - C. Publication IPC-7351 is recommended for alternate designs.
 - D. Laser cutting apertures with trapezoidal walls and also rounding corners will offer better paste release. Customers should contact their board assembly site for stencil design recommendations. Refer to IPC-7525 for other stencil recommendations.
 - E. Customers should contact their board fabrication site for solder mask tolerances between and around signal pads.

RGT (S-PVQFN-N16)

PLASTIC QUAD FLATPACK NO-LEAD



4203495/H 10/11

- NOTES:
- All linear dimensions are in millimeters. Dimensioning and tolerancing per ASME Y14.5M-1994.
 - This drawing is subject to change without notice.
 - Quad Flatpack, No-leads (QFN) package configuration.
 - The package thermal pad must be soldered to the board for thermal and mechanical performance.
 - See the additional figure in the Product Data Sheet for details regarding the exposed thermal pad features and dimensions.
 - Falls within JEDEC MO-220.

THERMAL PAD MECHANICAL DATA

RGT (S-PVQFN-N16)

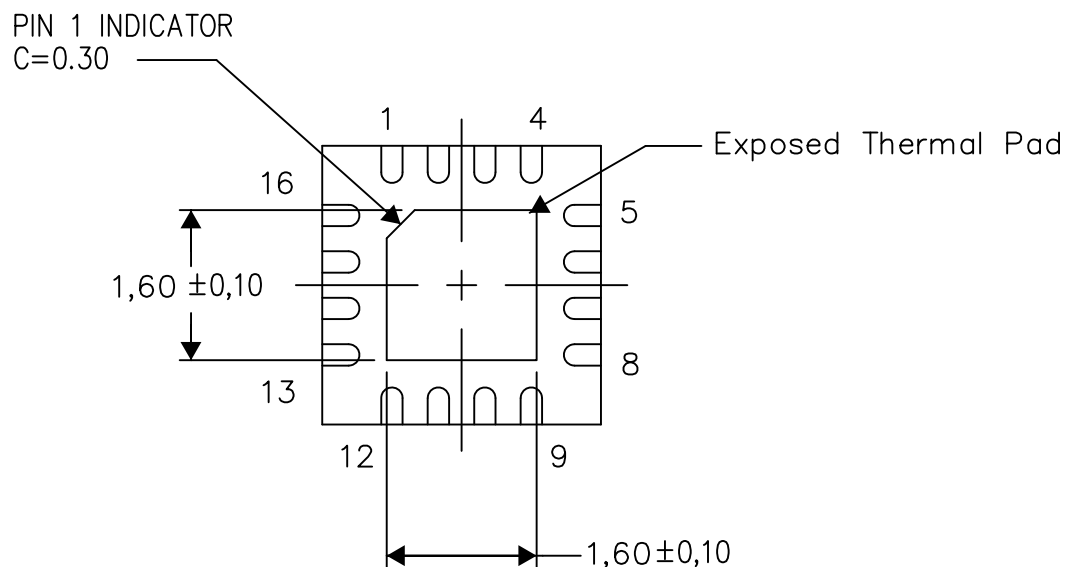
PLASTIC QUAD FLATPACK NO-LEAD

THERMAL INFORMATION

This package incorporates an exposed thermal pad that is designed to be attached directly to an external heatsink. The thermal pad must be soldered directly to the printed circuit board (PCB). After soldering, the PCB can be used as a heatsink. In addition, through the use of thermal vias, the thermal pad can be attached directly to the appropriate copper plane shown in the electrical schematic for the device, or alternatively, can be attached to a special heatsink structure designed into the PCB. This design optimizes the heat transfer from the integrated circuit (IC).

For information on the Quad Flatpack No-Lead (QFN) package and its advantages, refer to Application Report, QFN/SON PCB Attachment, Texas Instruments Literature No. SLUA271. This document is available at www.ti.com.

The exposed thermal pad dimensions for this package are shown in the following illustration.



Bottom View

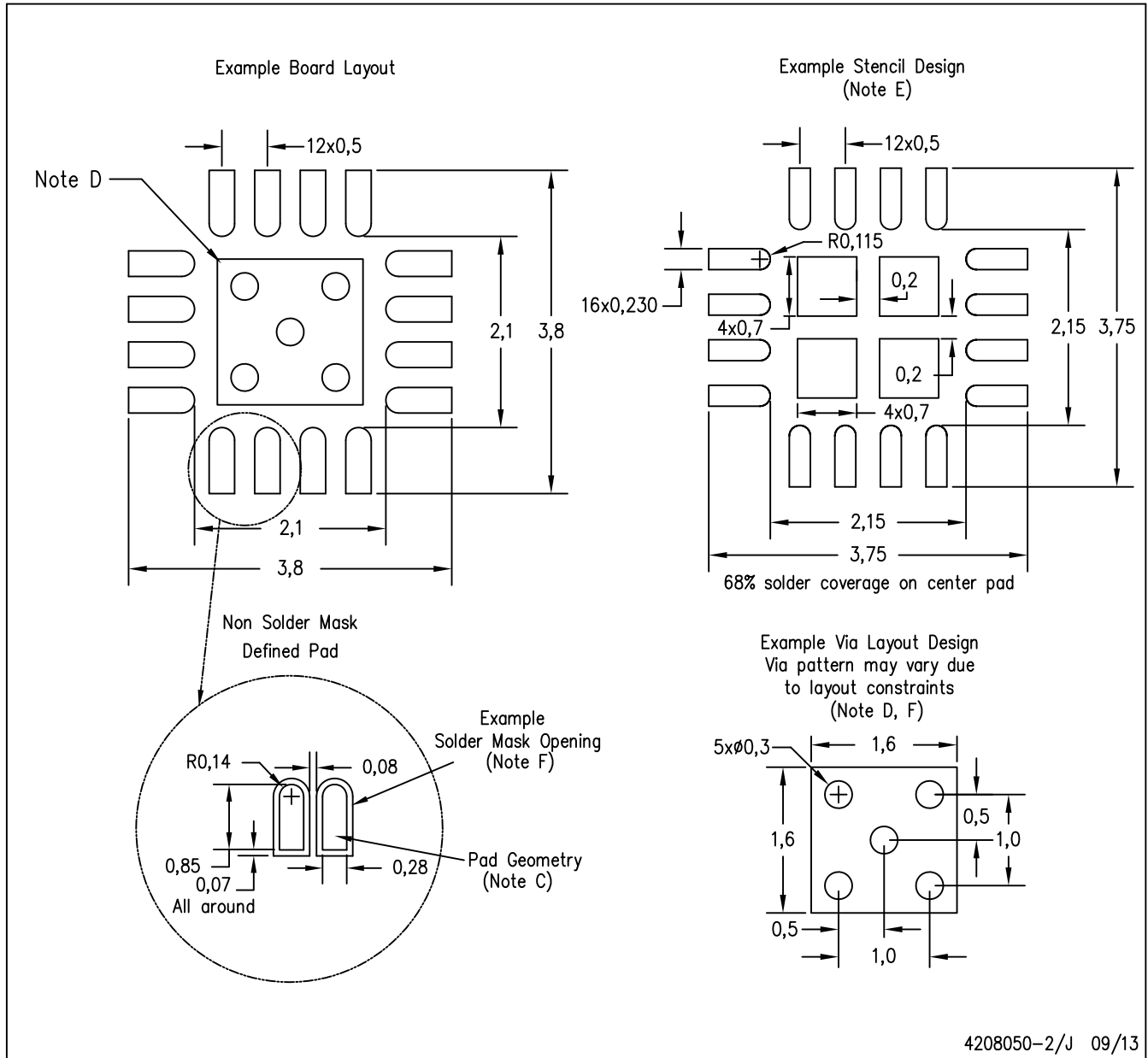
Exposed Thermal Pad Dimensions

4206349-3/U 09/13

NOTE: All linear dimensions are in millimeters

RGT (S-PVQFN-N16)

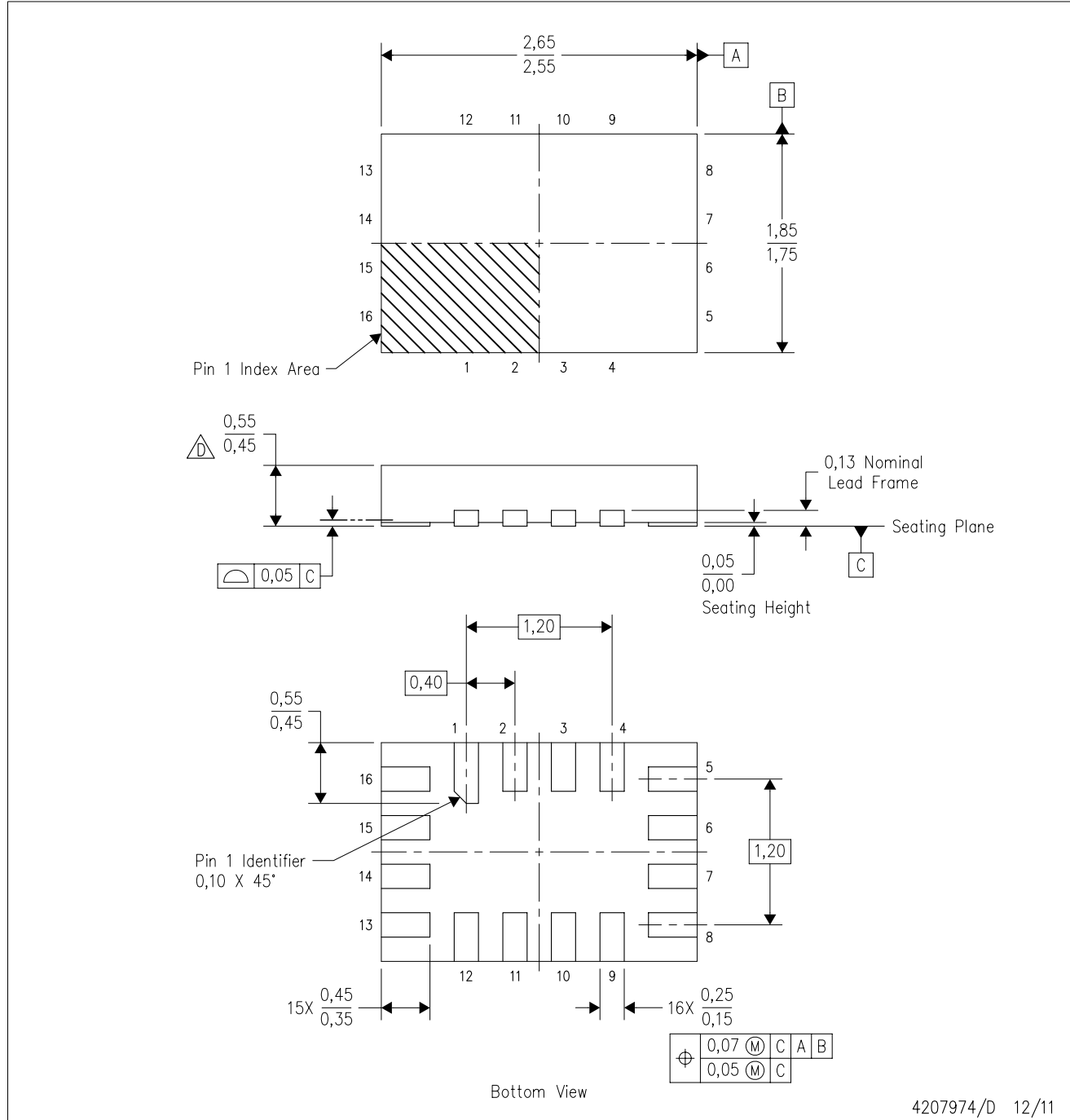
PLASTIC QUAD FLATPACK NO-LEAD



- NOTES:
- A. All linear dimensions are in millimeters.
 - B. This drawing is subject to change without notice.
 - C. Publication IPC-7351 is recommended for alternate designs.
 - D. This package is designed to be soldered to a thermal pad on the board. Refer to Application Note, QFN/SON PCB Attachment, Texas Instruments Literature No. SLUA271, and also the Product Data Sheets for specific thermal information, via requirements, and recommended board layout. These documents are available at www.ti.com <<http://www.ti.com>>.
 - E. Laser cutting apertures with trapezoidal walls and also rounding corners will offer better paste release. Customers should contact their board assembly site for stencil design recommendations. Refer to IPC 7525 for stencil design considerations.
 - F. Customers should contact their board fabrication site for minimum solder mask web tolerances between signal pads.

RSV (R-PUQFN-N16)

PLASTIC QUAD FLATPACK NO-LEAD

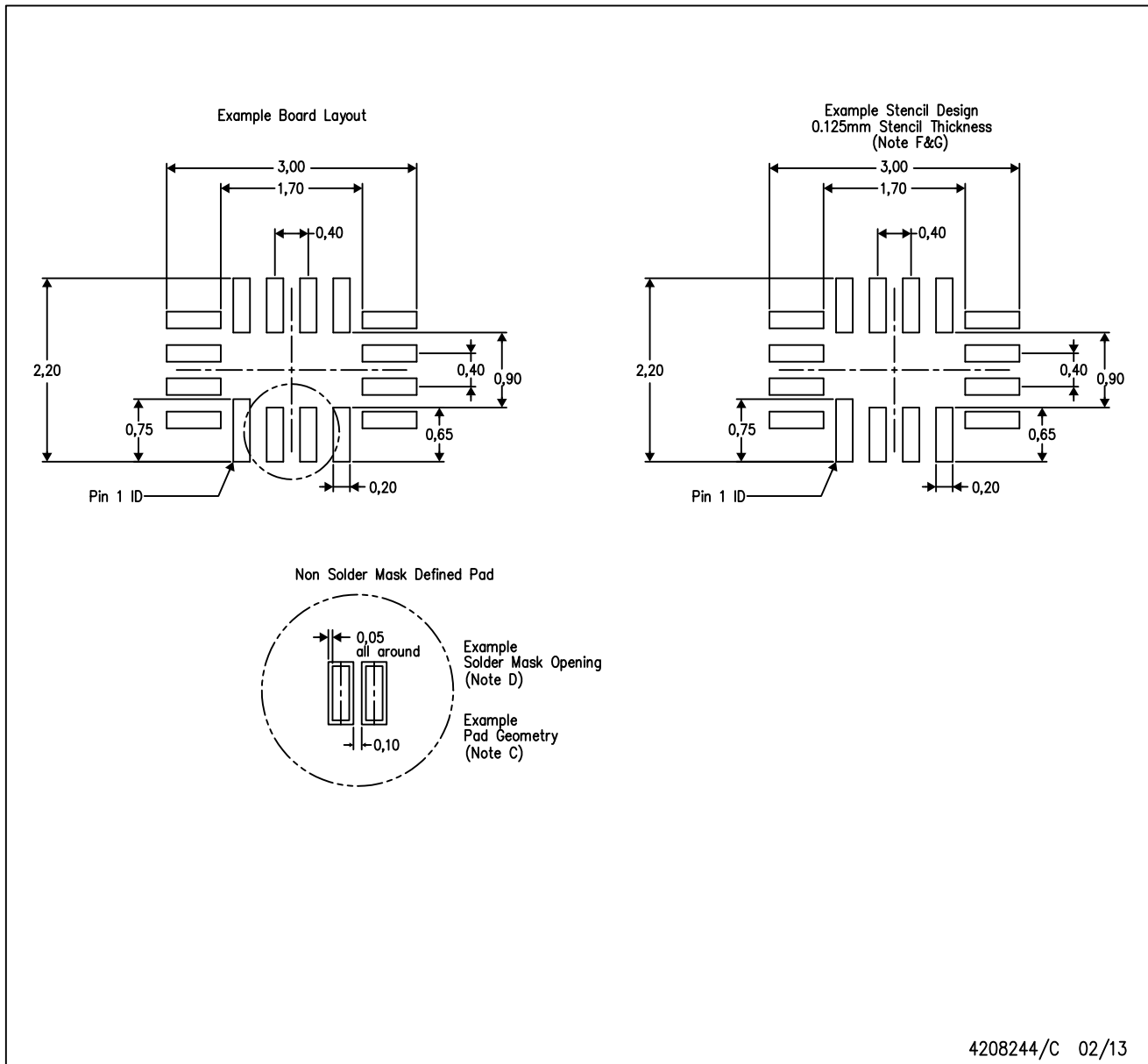


4207974/D 12/11

- NOTES:
- A. All linear dimensions are in millimeters. Dimensioning and tolerancing per ASME Y14.5M-1994.
 - B. This drawing is subject to change without notice.
 - C. QFN (Quad Flatpack No-Lead) package configuration.
 - This package complies to JEDEC MO-288 variation UFHE, except minimum package thickness.

RSV (R-PUQFN-N16)

PLASTIC QUAD FLATPACK NO-LEAD



- NOTES:
- A. All linear dimensions are in millimeters.
 - B. This drawing is subject to change without notice.
 - C. Publication IPC-7351 is recommended for alternate designs.
 - D. Customers should contact their board fabrication site for minimum solder mask web tolerances between signal pads.
 - E. Maximum stencil thickness 0,127 mm (5 mils). All linear dimensions are in millimeters.
 - F. Laser cutting apertures with trapezoidal walls and also rounding corners will offer better paste release. Customers should contact their board assembly site for stencil design recommendations. Refer to IPC 7525 for stencil design considerations.
 - G. Side aperture dimensions over-print land for acceptable area ratio > 0.66. Customer may reduce side aperture dimensions if stencil manufacturing process allows for sufficient release at smaller opening.

IMPORTANT NOTICE

Texas Instruments Incorporated and its subsidiaries (TI) reserve the right to make corrections, enhancements, improvements and other changes to its semiconductor products and services per JESD46, latest issue, and to discontinue any product or service per JESD48, latest issue. Buyers should obtain the latest relevant information before placing orders and should verify that such information is current and complete. All semiconductor products (also referred to herein as "components") are sold subject to TI's terms and conditions of sale supplied at the time of order acknowledgment.

TI warrants performance of its components to the specifications applicable at the time of sale, in accordance with the warranty in TI's terms and conditions of sale of semiconductor products. Testing and other quality control techniques are used to the extent TI deems necessary to support this warranty. Except where mandated by applicable law, testing of all parameters of each component is not necessarily performed.

TI assumes no liability for applications assistance or the design of Buyers' products. Buyers are responsible for their products and applications using TI components. To minimize the risks associated with Buyers' products and applications, Buyers should provide adequate design and operating safeguards.

TI does not warrant or represent that any license, either express or implied, is granted under any patent right, copyright, mask work right, or other intellectual property right relating to any combination, machine, or process in which TI components or services are used. Information published by TI regarding third-party products or services does not constitute a license to use such products or services or a warranty or endorsement thereof. Use of such information may require a license from a third party under the patents or other intellectual property of the third party, or a license from TI under the patents or other intellectual property of TI.

Reproduction of significant portions of TI information in TI data books or data sheets is permissible only if reproduction is without alteration and is accompanied by all associated warranties, conditions, limitations, and notices. TI is not responsible or liable for such altered documentation. Information of third parties may be subject to additional restrictions.

Resale of TI components or services with statements different from or beyond the parameters stated by TI for that component or service voids all express and any implied warranties for the associated TI component or service and is an unfair and deceptive business practice. TI is not responsible or liable for any such statements.

Buyer acknowledges and agrees that it is solely responsible for compliance with all legal, regulatory and safety-related requirements concerning its products, and any use of TI components in its applications, notwithstanding any applications-related information or support that may be provided by TI. Buyer represents and agrees that it has all the necessary expertise to create and implement safeguards which anticipate dangerous consequences of failures, monitor failures and their consequences, lessen the likelihood of failures that might cause harm and take appropriate remedial actions. Buyer will fully indemnify TI and its representatives against any damages arising out of the use of any TI components in safety-critical applications.

In some cases, TI components may be promoted specifically to facilitate safety-related applications. With such components, TI's goal is to help enable customers to design and create their own end-product solutions that meet applicable functional safety standards and requirements. Nonetheless, such components are subject to these terms.

No TI components are authorized for use in FDA Class III (or similar life-critical medical equipment) unless authorized officers of the parties have executed a special agreement specifically governing such use.

Only those TI components which TI has specifically designated as military grade or "enhanced plastic" are designed and intended for use in military/aerospace applications or environments. Buyer acknowledges and agrees that any military or aerospace use of TI components which have **not** been so designated is solely at the Buyer's risk, and that Buyer is solely responsible for compliance with all legal and regulatory requirements in connection with such use.

TI has specifically designated certain components as meeting ISO/TS16949 requirements, mainly for automotive use. In any case of use of non-designated products, TI will not be responsible for any failure to meet ISO/TS16949.

Products

Audio	www.ti.com/audio
Amplifiers	amplifier.ti.com
Data Converters	dataconverter.ti.com
DLP® Products	www.dlp.com
DSP	dsp.ti.com
Clocks and Timers	www.ti.com/clocks
Interface	interface.ti.com
Logic	logic.ti.com
Power Mgmt	power.ti.com
Microcontrollers	microcontroller.ti.com
RFID	www.ti-rfid.com
OMAP Applications Processors	www.ti.com/omap
Wireless Connectivity	www.ti.com/wirelessconnectivity

Applications

Automotive and Transportation	www.ti.com/automotive
Communications and Telecom	www.ti.com/communications
Computers and Peripherals	www.ti.com/computers
Consumer Electronics	www.ti.com/consumer-apps
Energy and Lighting	www.ti.com/energy
Industrial	www.ti.com/industrial
Medical	www.ti.com/medical
Security	www.ti.com/security
Space, Avionics and Defense	www.ti.com/space-avionics-defense
Video and Imaging	www.ti.com/video

TI E2E Community

e2e.ti.com

Mouser Electronics

Authorized Distributor

Click to View Pricing, Inventory, Delivery & Lifecycle Information:

Texas Instruments:

[TS3A44159PWRG4](#) [TS3A44159RGTR](#) [TS3A44159RGTRG4](#) [TS3A44159PWR](#) [TS3A44159RSVR](#)
[TS3A44159RSVRG4](#)