

- Advanced Multibus Architecture With Three Separate 16-Bit Data Memory Buses and One Program Memory Bus
- 40-Bit Arithmetic Logic Unit (ALU), Including a 40-Bit Barrel Shifter and Two Independent 40-Bit Accumulators
- 17- × 17-Bit Parallel Multiplier Coupled to a 40-Bit Dedicated Adder for Non-Pipelined Single-Cycle Multiply/Accumulate (MAC) Operation
- Compare, Select, and Store Unit (CSSU) for the Add/Compare Selection of the Viterbi Operator
- Exponent Encoder to Compute an Exponent Value of a 40-Bit Accumulator Value in a Single Cycle
- Two Address Generators With Eight Auxiliary Registers and Two Auxiliary Register Arithmetic Units (ARAUs)
- Data Bus With a Bus-Holder Feature
- Extended Addressing Mode for 1M × 16-Bit Maximum Addressable External Program Space
- 4K x 16-Bit On-Chip ROM
- 16K x 16-Bit Dual-Access On-Chip RAM
- Single-Instruction-Repeat and Block-Repeat Operations for Program Code
- Block-Memory-Move Instructions for Efficient Program and Data Management
- Instructions With a 32-Bit Long Word Operand
- Instructions With Two- or Three-Operand Reads
- Arithmetic Instructions With Parallel Store and Parallel Load
- Conditional Store Instructions
- Fast Return From Interrupt
- On-Chip Peripherals
  - Software-Programmable Wait-State Generator and Programmable Bank Switching
  - On-Chip Phase-Locked Loop (PLL) Clock Generator With Internal Oscillator or External Clock Source
  - Two Multichannel Buffered Serial Ports (McBSPs)
  - Enhanced 8-Bit Parallel Host-Port Interface (HPI8)
  - Two 16-Bit Timers
  - Six-Channel Direct Memory Access (DMA) Controller
- Power Consumption Control With IDLE1, IDLE2, and IDLE3 Instructions With Power-Down Modes
- CLKOUT Off Control to Disable CLKOUT
- On-Chip Scan-Based Emulation Logic, IEEE Std 1149.1† (JTAG) Boundary Scan Logic
- 10-ns Single-Cycle Fixed-Point Instruction Execution Time (100 MIPS) for 3.3-V Power Supply (1.8-V Core)
- Available in a 144-Pin Plastic Low-Profile Quad Flatpack (LQFP) (PGE Suffix) and a 144-Pin Ball Grid Array (BGA) (GGU Suffix)

**NOTE:** This data sheet is designed to be used in conjunction with the *TMS320C5000 DSP Family Functional Overview* (literature number SPRU307).



Please be aware that an important notice concerning availability, standard warranty, and use in critical applications of Texas Instruments semiconductor products and disclaimers thereto appears at the end of this data sheet.

All trademarks are the property of their respective owners.

† IEEE Standard 1149.1-1990 Standard-Test-Access Port and Boundary Scan Architecture.

PRODUCTION DATA information is current as of publication date. Products conform to specifications per the terms of Texas Instruments standard warranty. Production processing does not necessarily include testing of all parameters.



# TMS320VC5402 FIXED-POINT DIGITAL SIGNAL PROCESSOR

SPRS079G – OCTOBER 1998 – REVISED OCTOBER 2008

## TABLE OF CONTENTS

Description .....	3	Support .....	33
Pin Assignments .....	6	Absolute Maximum Ratings .....	35
Terminal Functions .....	7	Recommended Operating Conditions .....	35
Memory .....	12	Electrical Characteristics .....	36
On-Chip Peripherals .....	16	Parameter Measurement Information .....	37
Software-Programmable Wait-State Generator .....	16	Internal Oscillator With External Crystal .....	37
Programmable Bank-Switching Wait States .....	18	Divide-By-Two Clock Option (PLL Disabled) .....	38
Parallel I/O Ports .....	19	Multiply-By-N Clock Option .....	39
Enhanced 8-Bit Host-Port Interface .....	19	Memory and Parallel I/O Interface Timing .....	40
Multichannel Buffered Serial Ports .....	20	Ready Timing For Externally Generated Wait States .....	46
Hardware Timer .....	21	HOLD and HOLDA Timings .....	50
Clock Generator .....	21	Reset, BIO, Interrupt, and MP/MC Timings .....	51
DMA Controller .....	23	Instruction Acquisition (IAQ), Interrupt Acknowledge (IACK), External Flag (XF), and TOUT Timings .....	53
Memory-Mapped Registers .....	27	Multichannel Buffered Serial Port Timing .....	55
McBSP Control Registers And Subaddresses .....	29	HPI8 Timing .....	62
DMA Subbank Addressed Registers .....	29	Mechanical Data .....	66
Interrupts .....	31		

## REVISION HISTORY

REVISION	DATE	PRODUCT STATUS	HIGHLIGHTS
*	October 1998	Advanced Information	Original
A	April 1999	Advanced Information	Revised to update characteristic data
B	July 1999	Advanced Information	Revised to update characteristic data
C	September 1999	Advanced Information	Revised to update characteristic data
D	January 2000	Production Data	Revised to release production data.
E	August 2000	Production Data	Added Table of Contents, Revision History, and corrected IDLE3 current on page 35.
F	February 2005	Production Data	Updated table of contents and revision history. Added notices concerning JTAG (IEEE 1149.1) boundary scan test capability and replaced document support section on page 33. Added device and development-support tool nomenclature section on page 34. Replaced Figure 9 on page 37. Replaced Figure 36 on page 65. Replaced mechanical section on page 66.
G	October 2008	Production Data	Terminal Functions table: – Updated DESCRIPTION of $\overline{\text{TRST}}$ – Added footnote about $\overline{\text{TRST}}$ Mechanical Data section: – Revised paragraph – Mechanical drawings will be appended to this document via an automated process



## **description**

The TMS320VC5402 fixed-point, digital signal processor (DSP) (hereafter referred to as the 5402 unless otherwise specified) is based on an advanced modified Harvard architecture that has one program memory bus and three data memory buses. This processor provides an arithmetic logic unit (ALU) with a high degree of parallelism, application-specific hardware logic, on-chip memory, and additional on-chip peripherals. The basis of the operational flexibility and speed of this DSP is a highly specialized instruction set.

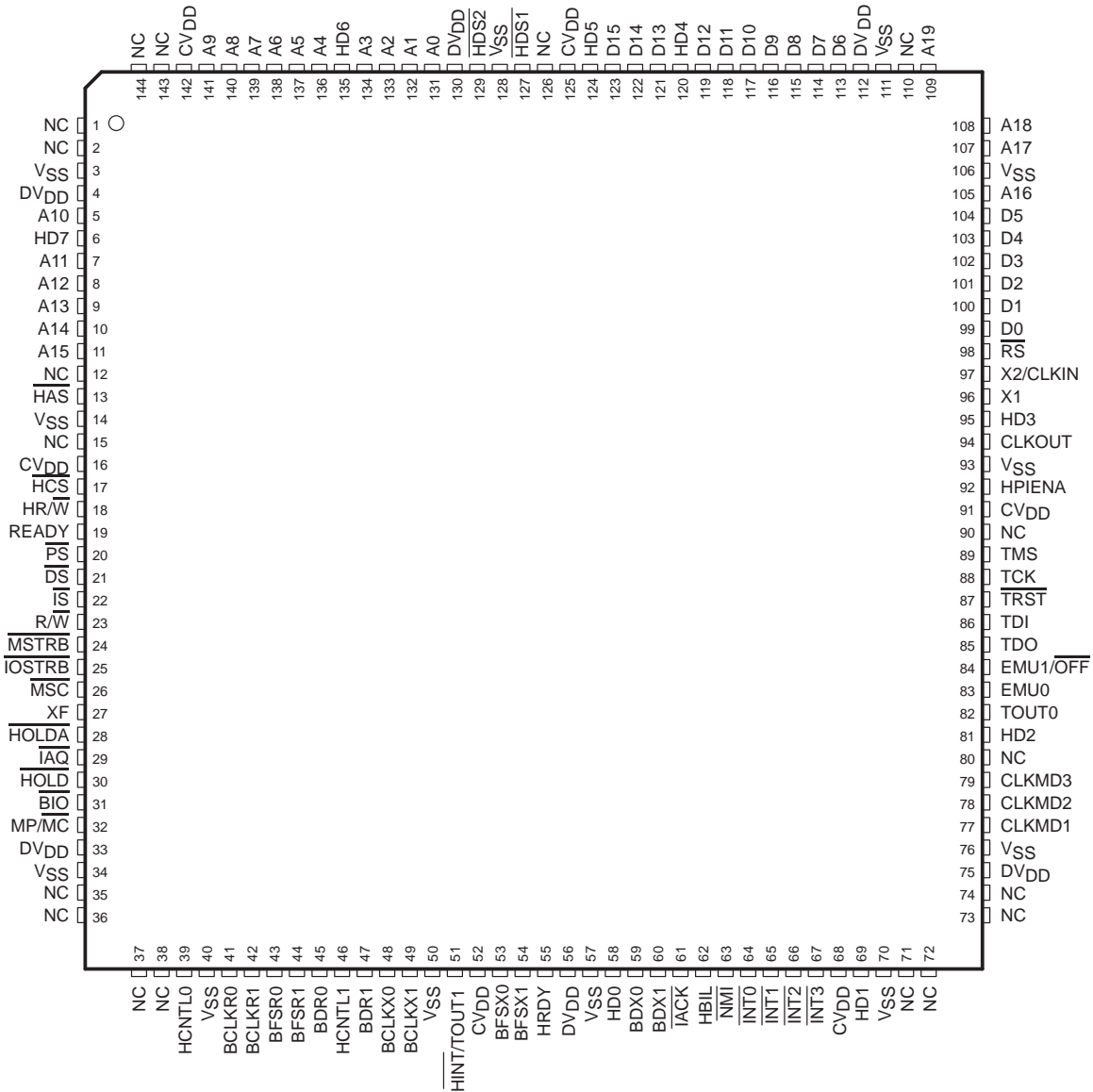
Separate program and data spaces allow simultaneous access to program instructions and data, providing the high degree of parallelism. Two read operations and one write operation can be performed in a single cycle. Instructions with parallel store and application-specific instructions can fully utilize this architecture. In addition, data can be transferred between data and program spaces. Such parallelism supports a powerful set of arithmetic, logic, and bit-manipulation operations that can be performed in a single machine cycle. In addition, the 5402 includes the control mechanisms to manage interrupts, repeated operations, and function calls.

# TMS320VC5402 FIXED-POINT DIGITAL SIGNAL PROCESSOR

SPRS079G – OCTOBER 1998 – REVISED OCTOBER 2008

## description (continued)

TMS320VC5402 PGE PACKAGE†‡  
(TOP VIEW)



† NC = No internal connection

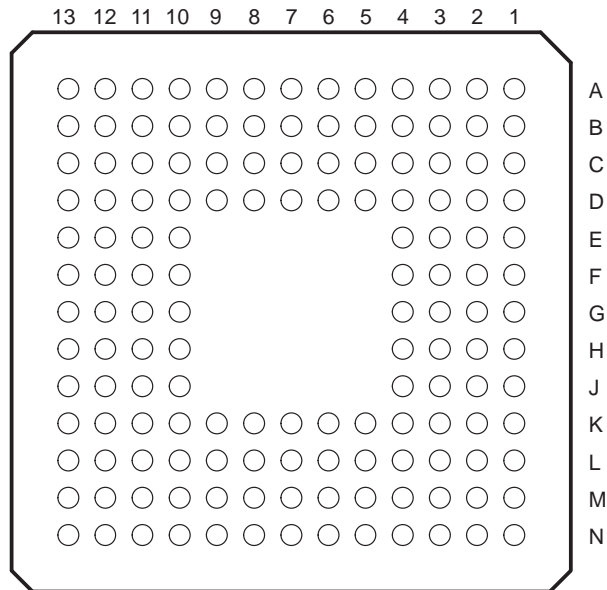
‡ DV<sub>DD</sub> is the power supply for the I/O pins while CV<sub>DD</sub> is the power supply for the core CPU. V<sub>SS</sub> is the ground for both the I/O pins and the core CPU.

The TMS320VC5402PGE (144-pin LQFP) package is footprint-compatible with the 'LC548, 'LC/VC549, and 'VC5410 devices.



description (continued)

**TMS320VC5402 GGU PACKAGE**  
**(BOTTOM VIEW)**



The pin assignments table to follow lists each signal quadrant and BGA ball number for the TMS320VC5402GGU (144-pin BGA) package which is footprint-compatible with the 'LC548 and 'LC/VC549 devices.

# TMS320VC5402 FIXED-POINT DIGITAL SIGNAL PROCESSOR

SPRS079G – OCTOBER 1998 – REVISED OCTOBER 2008

## Pin Assignments for the TMS320VC5402GGU (144-Pin BGA) Package†

SIGNAL NAME	BGA BALL #	SIGNAL NAME	BGA BALL #	SIGNAL NAME	BGA BALL #	SIGNAL NAME	BGA BALL #
NC	A1	NC	N13	NC	N1	A19	A13
NC	B1	NC	M13	NC	N2	NC	A12
V <sub>SS</sub>	C2	DV <sub>DD</sub>	L12	HCNTL0	M3	V <sub>SS</sub>	B11
DV <sub>DD</sub>	C1	V <sub>SS</sub>	L13	V <sub>SS</sub>	N3	DV <sub>DD</sub>	A11
A10	D4	CLKMD1	K10	BCLKR0	K4	D6	D10
HD7	D3	CLKMD2	K11	BCLKR1	L4	D7	C10
A11	D2	CLKMD3	K12	BFSR0	M4	D8	B10
A12	D1	NC	K13	BFSR1	N4	D9	A10
A13	E4	HD2	J10	BDR0	K5	D10	D9
A14	E3	TOUT0	J11	HCNTL1	L5	D11	C9
A15	E2	EMU0	J12	BDR1	M5	D12	B9
NC	E1	EMU1/ $\overline{\text{OFF}}$	J13	BCLKX0	N5	HD4	A9
$\overline{\text{HAS}}$	F4	TDO	H10	BCLKX1	K6	D13	D8
V <sub>SS</sub>	F3	TDI	H11	V <sub>SS</sub>	L6	D14	C8
NC	F2	$\overline{\text{TRST}}$	H12	$\overline{\text{HINT/TOUT1}}$	M6	D15	B8
CV <sub>DD</sub>	F1	TCK	H13	CV <sub>DD</sub>	N6	HD5	A8
$\overline{\text{HCS}}$	G2	TMS	G12	BFSX0	M7	CV <sub>DD</sub>	B7
HR/ $\overline{\text{W}}$	G1	NC	G13	BFSX1	N7	NC	A7
READY	G3	CV <sub>DD</sub>	G11	HRDY	L7	$\overline{\text{HDS1}}$	C7
$\overline{\text{PS}}$	G4	HPIENA	G10	DV <sub>DD</sub>	K7	V <sub>SS</sub>	D7
$\overline{\text{DS}}$	H1	V <sub>SS</sub>	F13	V <sub>SS</sub>	N8	$\overline{\text{HDS2}}$	A6
$\overline{\text{IS}}$	H2	CLKOUT	F12	HD0	M8	DV <sub>DD</sub>	B6
R/ $\overline{\text{W}}$	H3	HD3	F11	BDX0	L8	A0	C6
$\overline{\text{MSTRB}}$	H4	X1	F10	BDX1	K8	A1	D6
$\overline{\text{IOSTRB}}$	J1	X2/CLKIN	E13	$\overline{\text{IACK}}$	N9	A2	A5
$\overline{\text{MSC}}$	J2	$\overline{\text{RS}}$	E12	HBIL	M9	A3	B5
XF	J3	D0	E11	$\overline{\text{NMI}}$	L9	HD6	C5
$\overline{\text{HOLDA}}$	J4	D1	E10	$\overline{\text{INT0}}$	K9	A4	D5
$\overline{\text{IAQ}}$	K1	D2	D13	$\overline{\text{INT1}}$	N10	A5	A4
$\overline{\text{HOLD}}$	K2	D3	D12	$\overline{\text{INT2}}$	M10	A6	B4
$\overline{\text{BIO}}$	K3	D4	D11	$\overline{\text{INT3}}$	L10	A7	C4
MP/ $\overline{\text{MC}}$	L1	D5	C13	CV <sub>DD</sub>	N11	A8	A3
DV <sub>DD</sub>	L2	A16	C12	HD1	M11	A9	B3
V <sub>SS</sub>	L3	V <sub>SS</sub>	C11	V <sub>SS</sub>	L11	CV <sub>DD</sub>	C3
NC	M1	A17	B13	NC	N12	NC	A2
NC	M2	A18	B12	NC	M12	NC	B2

† DV<sub>DD</sub> is the power supply for the I/O pins while CV<sub>DD</sub> is the power supply for the core CPU. V<sub>SS</sub> is the ground for both the I/O pins and the core CPU.



**terminal functions**

The following table lists each signal, function, and operating mode(s) grouped by function.

**Terminal Functions**

TERMINAL NAME	TYPE†	DESCRIPTION
<b>DATA SIGNALS</b>		
A19 (MSB) A18 A17 A16 A15 A14 A13 A12 A11 A10 A9 A8 A7 A6 A5 A4 A3 A2 A1 A0 (LSB)	O/Z	Parallel address bus A19 [most significant bit (MSB)] through A0 [least significant bit (LSB)]. The lower sixteen address pins (A0 to A15) are multiplexed to address all external memory (program, data) or I/O, while the upper four address pins (A16 to A19) are only used to address external program space. These pins are placed in the high-impedance state when the hold mode is enabled, or when $\overline{\text{OFF}}$ is low.
D15 (MSB) D14 D13 D12 D11 D10 D9 D8 D7 D6 D5 D4 D3 D2 D1 D0 (LSB)	I/O/Z	Parallel data bus D15 (MSB) through D0 (LSB). The sixteen data pins (D0 to D15) are multiplexed to transfer data between the core CPU and external data/program memory or I/O devices. The data bus is placed in the high-impedance state when <u>not</u> outputting or when $\overline{\text{RS}}$ or $\overline{\text{HOLD}}$ is asserted. The data bus also goes into the high-impedance state when $\overline{\text{OFF}}$ is low.  The data bus has bus holders to reduce the static power dissipation caused by floating, unused pins. These bus holders also eliminate the need for external bias resistors on unused pins. When the data bus is not being driven by the 5402, the bus holders keep the pins at the previous logic level. The data bus holders on the 5402 are disabled at reset and can be enabled/disabled via the BH bit of the bank-switching control register (BSCR).
<b>INITIALIZATION, INTERRUPT, AND RESET OPERATIONS</b>		
$\overline{\text{IACK}}$	O/Z	Interrupt acknowledge signal. $\overline{\text{IACK}}$ Indicates receipt of an interrupt and that the program counter is fetching the interrupt vector location designated by A15–A0. $\overline{\text{IACK}}$ also goes into the high-impedance state when $\overline{\text{OFF}}$ is low.
$\overline{\text{INT0}}$ $\overline{\text{INT1}}$ $\overline{\text{INT2}}$ $\overline{\text{INT3}}$	I	External user interrupts. $\overline{\text{INT0}}$ – $\overline{\text{INT3}}$ are prioritized and are maskable by the interrupt mask register (IMR) and the interrupt mode bit. $\overline{\text{INT0}}$ – $\overline{\text{INT3}}$ can be polled and reset by way of the interrupt flag register (IFR).
$\overline{\text{NMI}}$	I	Nonmaskable interrupt. $\overline{\text{NMI}}$ is an external interrupt that cannot be masked by way of the INTM or the IMR. When $\overline{\text{NMI}}$ is activated, the processor traps to the appropriate vector location.

† I = input, O = output, Z = high impedance, S = supply

‡ All revisions of the 5402 can be operated with an external clock source, provided that the proper voltage levels be driven on the X2/CLKIN pin. It should be noted that the X2/CLKIN pin is referenced to the device 1.8V power supply (C<sub>VDD</sub>), rather than the 3V I/O supply (D<sub>VDD</sub>). Refer to the recommended operating conditions section of this document for the allowable voltage levels of the X2/CLKIN pin.

§ Although this pin includes an internal pulldown resistor, a 470-Ω external pulldown is required. If the  $\overline{\text{TRST}}$  pin is connected to multiple DSPs, a buffer is recommended to ensure the V<sub>IL</sub> and V<sub>IH</sub> specifications are met.



# TMS320VC5402 FIXED-POINT DIGITAL SIGNAL PROCESSOR

SPRS079G – OCTOBER 1998 – REVISED OCTOBER 2008

## Terminal Functions (Continued)

TERMINAL NAME	TYPE†	DESCRIPTION
<b>INITIALIZATION, INTERRUPT, AND RESET OPERATIONS (CONTINUED)</b>		
$\overline{RS}$	I	Reset. $\overline{RS}$ causes the digital signal processor (DSP) to terminate execution and causes a reinitialization of the CPU and peripherals. When $\overline{RS}$ is brought to a high level, execution begins at location 0FF80h of program memory. $\overline{RS}$ affects various registers and status bits.
MP/ $\overline{MC}$	I	Microprocessor/microcomputer mode select. If active low at reset, microcomputer mode is selected, and the internal program ROM is mapped into the upper 4K words of program memory space. If the pin is driven high during reset, microprocessor mode is selected, and the on-chip ROM is removed from program space. This pin is only sampled at reset, and the MP/ $\overline{MC}$ bit of the processor mode status (PMST) register can override the mode that is selected at reset.
<b>MULTIPROCESSING SIGNALS</b>		
$\overline{BIO}$	I	Branch control. A branch can be conditionally executed when $\overline{BIO}$ is active. If low, the processor executes the conditional instruction. For the XC instruction, the $\overline{BIO}$ condition is sampled during the decode phase of the pipeline; all other instructions sample $\overline{BIO}$ during the read phase of the pipeline.
XF	O/Z	External flag output (latched software-programmable signal). XF is set high by the SSBX XF instruction, set low by the RSBX XF instruction or by loading ST1. XF is used for signaling other processors in multiprocessor configurations or used as a general-purpose output pin. XF goes into the high-impedance state when $\overline{OFF}$ is low, and is set high at reset.
<b>MEMORY CONTROL SIGNALS</b>		
$\overline{DS}$ $\overline{PS}$ $\overline{IS}$	O/Z	Data, program, and I/O space select signals. $\overline{DS}$ , $\overline{PS}$ , and $\overline{IS}$ are always high unless driven low for accessing a particular external memory space. Active period corresponds to valid address information. $\overline{DS}$ , $\overline{PS}$ , and $\overline{IS}$ are placed into the high-impedance state in the hold mode; the signals also go into the high-impedance state when $\overline{OFF}$ is low.
$\overline{MSTRB}$	O/Z	Memory strobe signal. $\overline{MSTRB}$ is always high unless low-level asserted to indicate an external bus access to data or program memory. $\overline{MSTRB}$ is placed in the high-impedance state in the hold mode; it also goes into the high-impedance state when $\overline{OFF}$ is low.
READY	I	Data ready. READY indicates that an external device is prepared for a bus transaction to be completed. If the device is not ready (READY is low), the processor waits one cycle and checks READY again. Note that the processor performs ready detection if at least two software wait states are programmed. The READY signal is not sampled until the completion of the software wait states.
$\overline{R/W}$	O/Z	Read/write signal. $\overline{R/W}$ indicates transfer direction during communication to an external device. $\overline{R/W}$ is normally in the read mode (high), unless it is asserted low when the DSP performs a write operation. $\overline{R/W}$ is placed in the high-impedance state in hold mode; it also goes into the high-impedance state when $\overline{OFF}$ is low.
$\overline{IOSTRB}$	O/Z	I/O strobe signal. $\overline{IOSTRB}$ is always high unless low-level asserted to indicate an external bus access to an I/O device. $\overline{IOSTRB}$ is placed in the high-impedance state in the hold mode; it also goes into the high-impedance state when $\overline{OFF}$ is low.
$\overline{HOLD}$	I	Hold. $\overline{HOLD}$ is asserted to request control of the address, data, and control lines. When acknowledged by the 'C54x, these lines go into the high-impedance state.
$\overline{HOLDA}$	O/Z	Hold acknowledge. $\overline{HOLDA}$ indicates that the 5402 is in a hold state and that the address, data, and control lines are in the high-impedance state, allowing the external memory interface to be accessed by other devices. $\overline{HOLDA}$ also goes into the high-impedance state when $\overline{OFF}$ is low.

† I = input, O = output, Z = high impedance, S = supply

‡ All revisions of the 5402 can be operated with an external clock source, provided that the proper voltage levels be driven on the X2/CLKIN pin. It should be noted that the X2/CLKIN pin is referenced to the device 1.8V power supply ( $CV_{DD}$ ), rather than the 3V I/O supply ( $DV_{DD}$ ). Refer to the recommended operating conditions section of this document for the allowable voltage levels of the X2/CLKIN pin.

§ Although this pin includes an internal pulldown resistor, a 470- $\Omega$  external pulldown is required. If the TRST pin is connected to multiple DSPs, a buffer is recommended to ensure the  $V_{IL}$  and  $V_{IH}$  specifications are met.





### Terminal Functions (Continued)

TERMINAL NAME	TYPE†	DESCRIPTION
<b>MEMORY CONTROL SIGNALS (CONTINUED)</b>		
$\overline{MSC}$	O/Z	Microstate complete. $\overline{MSC}$ indicates completion of all software wait states. When two or more software wait states are enabled, the $\overline{MSC}$ pin goes active at the beginning of the first software wait state and goes inactive high at the beginning of the last software wait state. If connected to the READY input, $\overline{MSC}$ forces one external wait state after the last internal wait state is completed. $\overline{MSC}$ also goes into the high-impedance state when $\overline{OFF}$ is low.
$\overline{IAQ}$	O/Z	Instruction acquisition signal. $\overline{IAQ}$ is asserted (active low) when there is an instruction address on the address bus. $\overline{IAQ}$ goes into the high-impedance state when $\overline{OFF}$ is low.
<b>OSCILLATOR/TIMER SIGNALS</b>		
CLKOUT	O/Z	Master clock output signal. CLKOUT cycles at the machine-cycle rate of the CPU. The internal machine cycle is bounded by rising edges of this signal. CLKOUT also goes into the high-impedance state when $\overline{OFF}$ is low.
CLKMD1 CLKMD2 CLKMD3	I	Clock mode select signals. These inputs select the mode that the clock generator is initialized to after reset. The logic levels of CLKMD1–CLKMD3 are latched when the reset pin is low, and the clock mode register is initialized to the selected mode. After reset, the clock mode can be changed through software, but the clock mode select signals have no effect until the device is reset again.
X2/CLKIN	I	Oscillator input. This is the input to the on-chip oscillator.  If the internal oscillator is not used, X2/CLKIN functions as the clock input, and can be driven by an external clock source.‡
X1	O	Output pin from the internal oscillator for the crystal.  If the internal oscillator is not used, X1 should be left unconnected. X1 does not go into the high-impedance state when $\overline{OFF}$ is low.‡
TOUT0	O/Z	Timer0 output. TOUT0 signals a pulse when the on-chip timer 0 counts down past zero. The pulse is a CLKOUT cycle wide. TOUT0 also goes into the high-impedance state when $\overline{OFF}$ is low.
TOUT1	O/Z	Timer1 output. TOUT1 signals a pulse when the on-chip timer1 counts down past zero. The pulse is one CLKOUT cycle wide. The TOUT1 output is multiplexed with the $\overline{HINT}$ pin of the HPI and is only available when the HPI is disabled. TOUT1 also goes into the high-impedance state when $\overline{OFF}$ is low.
<b>MULTICHANNEL BUFFERED SERIAL PORT SIGNALS</b>		
BCLKR0 BCLKR1	I/O/Z	Receive clock input. BCLKR can be configured as an input or an output; it is configured as an input following reset. BCLKR serves as the serial shift clock for the buffered serial port receiver.
BDR0 BDR1	I	Serial data receive input
BFSR0 BFSR1	I/O/Z	Frame synchronization pulse for receive input. BFSR can be configured as an input or an output; it is configured as an input following reset. The BFSR pulse initiates the receive data process over BDR.
BCLKX0 BCLKX1	I/O/Z	Transmit clock. BCLKX serves as the serial shift clock for the McBSP transmitter. BCLKX can be configured as an input or an output; it is configured as an input following reset. BCLKX enters the high-impedance state when $\overline{OFF}$ goes low.
BDX0 BDX1	O/Z	Serial data transmit output. BDX is placed in the high-impedance state when not transmitting, when $\overline{RS}$ is asserted, or when $\overline{OFF}$ is low.
BFSX0 BFSX1	I/O/Z	Frame synchronization pulse for transmit input/output. The BFSX pulse initiates the transmit data process. BFSX can be configured as an input or an output; it is configured as an input following reset. BFSX goes into the high-impedance state when $\overline{OFF}$ is low.
<b>MISCELLANEOUS SIGNAL</b>		
NC		No connection

† I = input, O = output, Z = high impedance, S = supply

‡ All revisions of the 5402 can be operated with an external clock source, provided that the proper voltage levels be driven on the X2/CLKIN pin. It should be noted that the X2/CLKIN pin is referenced to the device 1.8V power supply ( $CV_{DD}$ ), rather than the 3V I/O supply ( $DV_{DD}$ ). Refer to the recommended operating conditions section of this document for the allowable voltage levels of the X2/CLKIN pin.

§ Although this pin includes an internal pulldown resistor, a 470- $\Omega$  external pulldown is required. If the TRST pin is connected to multiple DSPs, a buffer is recommended to ensure the  $V_{IL}$  and  $V_{IH}$  specifications are met.

# TMS320VC5402 FIXED-POINT DIGITAL SIGNAL PROCESSOR

SPRS079G – OCTOBER 1998 – REVISED OCTOBER 2008

## Terminal Functions (Continued)

TERMINAL NAME	TYPE†	DESCRIPTION
<b>HOST-PORT INTERFACE SIGNALS</b>		
HD0–HD7	I/O/Z	Parallel bidirectional data bus. The HPI data bus is used by a host device bus to exchange information with the HPI registers. These pins can also be used as general-purpose I/O pins. HD0–HD7 is placed in the high-impedance state when not outputting data or when $\overline{\text{OFF}}$ is low. The HPI data bus includes bus holders to reduce the static power dissipation caused by floating, unused pins. When the HPI data bus is not being driven by the 5402, the bus holders keep the pins at the previous logic level. The HPI data bus holders are disabled at reset and can be enabled/disabled via the HBH bit of the BSCR.
HCNTL0 HCNTL1	I	Control. HCNTL0 and HCNTL1 select a host access to one of the three HPI registers. The control inputs have internal pullup resistors that are only enabled when HPIENA = 0.
HBIL	I	Byte identification. HBIL identifies the first or second byte of transfer. The HBIL input has an internal pullup resistor that is only enabled when HPIENA = 0.
$\overline{\text{HCS}}$	I	Chip select. $\overline{\text{HCS}}$ is the select input for the HPI and must be driven low during accesses. The chip-select input has an internal pullup resistor that is only enabled when HPIENA = 0.
$\overline{\text{HDS1}}$ $\overline{\text{HDS2}}$	I	Data strobe. $\overline{\text{HDS1}}$ and $\overline{\text{HDS2}}$ are driven by the host read and write strobes to control transfers. The strobe inputs have internal pullup resistors that are only enabled when HPIENA = 0.
$\overline{\text{HAS}}$	I	Address strobe. Hosts with multiplexed address and data pins require $\overline{\text{HAS}}$ to latch the address in the HPIA register. $\overline{\text{HAS}}$ has an internal pullup resistor that is only enabled when HPIENA = 0.
$\overline{\text{HR/W}}$	I	Read/write. $\overline{\text{HR/W}}$ controls the direction of an HPI transfer. $\overline{\text{R/W}}$ has an internal pullup resistor that is only enabled when HPIENA = 0.
HRDY	O/Z	Ready. The ready output informs the host when the HPI is ready for the next transfer. HRDY goes into the high-impedance state when $\overline{\text{OFF}}$ is low.
$\overline{\text{HINT}}$	O/Z	Host interrupt. This output is used to interrupt the host. When the DSP is in reset, $\overline{\text{HINT}}$ is driven high. $\overline{\text{HINT}}$ can also be configured as the timer 1 output (TOUT1), when the HPI is disabled. The signal goes into the high-impedance state when $\overline{\text{OFF}}$ is low.
HPIENA	I	HPI module select. HPIENA must be driven high during reset to enable the HPI. An internal pulldown resistor is always active and the HPIENA pin is sampled on the rising edge of $\overline{\text{RS}}$ . If HPIENA is left open or is driven low during reset, the HPI module is disabled. Once the HPI is disabled, the HPIENA pin has no effect until the 5402 is reset.
<b>SUPPLY PINS</b>		
CVDD	S	+VDD. Dedicated 1.8-V power supply for the core CPU
DVDD	S	+VDD. Dedicated 3.3-V power supply for the I/O pins
VSS	S	Ground
<b>TEST PINS</b>		
TCK	I	IEEE standard 1149.1 test clock. TCK is normally a free-running clock signal with a 50% duty cycle. The changes on the test access port (TAP) of input signals TMS and TDI are clocked into the TAP controller, instruction register, or selected test data register on the rising edge of TCK. Changes at the TAP output signal (TDO) occur on the falling edge of TCK.
TDI	I	IEEE standard 1149.1 test data input pin with internal pullup device. TDI is clocked into the selected register (instruction or data) on a rising edge of TCK.
TDO	O/Z	IEEE standard 1149.1 test data output. The contents of the selected register (instruction or data) are shifted out of TDO on the falling edge of TCK. TDO is in the high-impedance state except when the scanning of data is in progress. TDO also goes into the high-impedance state when $\overline{\text{OFF}}$ is low.
TMS	I	IEEE standard 1149.1 test mode select. Pin with internal pullup device. This serial control input is clocked into the TAP controller on the rising edge of TCK.

† I = input, O = output, Z = high impedance, S = supply

‡ All revisions of the 5402 can be operated with an external clock source, provided that the proper voltage levels be driven on the X2/CLKIN pin. It should be noted that the X2/CLKIN pin is referenced to the device 1.8V power supply (CVDD), rather than the 3V I/O supply (DVDD). Refer to the recommended operating conditions section of this document for the allowable voltage levels of the X2/CLKIN pin.

§ Although this pin includes an internal pulldown resistor, a 470- $\Omega$  external pulldown is required. If the TRST pin is connected to multiple DSPs, a buffer is recommended to ensure the  $V_{IL}$  and  $V_{IH}$  specifications are met.



**Terminal Functions (Continued)**

TERMINAL NAME	TYPE†	DESCRIPTION
<b>TEST PINS (CONTINUED)</b>		
$\overline{\text{TRST}}^{\S}$	I	IEEE standard 1149.1 test reset. $\overline{\text{TRST}}$ , when high, gives the IEEE standard 1149.1 scan system control of the operations of the device. If $\overline{\text{TRST}}$ is driven low, the device operates in its functional mode, and the IEEE standard 1149.1 signals are ignored. Pin with internal pulldown device.
EMU0	I/O/Z	Emulator 0 pin. When $\overline{\text{TRST}}$ is driven low, EMU0 must be high for activation of the $\overline{\text{OFF}}$ condition. When $\overline{\text{TRST}}$ is driven high, EMU0 is used as an interrupt to or from the emulator system and is defined as input/output by way of the IEEE standard 1149.1 scan system.
EMU1/ $\overline{\text{OFF}}$	I/O/Z	Emulator 1 pin/disable all outputs. When $\overline{\text{TRST}}$ is driven high, EMU1/ $\overline{\text{OFF}}$ is used as an interrupt to or from the emulator system and is defined as input/output by way of the IEEE standard 1149.1 scan system. When $\overline{\text{TRST}}$ is driven low, EMU1/ $\overline{\text{OFF}}$ is configured as $\overline{\text{OFF}}$ . The EMU1/ $\overline{\text{OFF}}$ signal, when active low, puts all output drivers into the high-impedance state. Note that $\overline{\text{OFF}}$ is used exclusively for testing and emulation purposes (not for multiprocessing applications). The $\overline{\text{OFF}}$ feature is selected by the following pin combinations: $\overline{\text{TRST}} = \text{low}$ $\text{EMU0} = \text{high}$ $\text{EMU1}/\overline{\text{OFF}} = \text{low}$

† I = input, O = output, Z = high impedance, S = supply

‡ All revisions of the 5402 can be operated with an external clock source, provided that the proper voltage levels be driven on the X2/CLKIN pin. It should be noted that the X2/CLKIN pin is referenced to the device 1.8V power supply (CV<sub>DD</sub>), rather than the 3V I/O supply (DV<sub>DD</sub>). Refer to the recommended operating conditions section of this document for the allowable voltage levels of the X2/CLKIN pin.

§ Although this pin includes an internal pulldown resistor, a 470-Ω external pulldown is required. If the  $\overline{\text{TRST}}$  pin is connected to multiple DSPs, a buffer is recommended to ensure the V<sub>IL</sub> and V<sub>IH</sub> specifications are met.

# TMS320VC5402 FIXED-POINT DIGITAL SIGNAL PROCESSOR

SPRS079G – OCTOBER 1998 – REVISED OCTOBER 2008

## memory

The 5402 device provides both on-chip ROM and RAM memories to aid in system performance and integration.

### on-chip ROM with bootloader

The 5402 features a 4K-word  $\times$  16-bit on-chip maskable ROM. Customers can arrange to have the ROM of the 5402 programmed with contents unique to any particular application. A security option is available to protect a custom ROM. This security option is described in the *TMS320C54x DSP CPU and Peripherals Reference Set, Volume 1* (literature number SPRU131). Note that only the ROM security option, and not the ROM/RAM option, is available on the 5402.

A bootloader is available in the standard 5402 on-chip ROM. This bootloader can be used to automatically transfer user code from an external source to anywhere in the program memory at power up. If the  $\overline{MP}/\overline{MC}$  pin is sampled low during a hardware reset, execution begins at location FF80h of the on-chip ROM. This location contains a branch instruction to the start of the bootloader program. The standard 5402 bootloader provides different ways to download the code to accommodate various system requirements:

- Parallel from 8-bit or 16-bit-wide EPROM
- Parallel from I/O space 8-bit or 16-bit mode
- Serial boot from serial ports 8-bit or 16-bit mode
- Host-port interface boot

The standard on-chip ROM layout is shown in Table 1.

**Table 1. Standard On-Chip ROM Layout†**

ADDRESS RANGE	DESCRIPTION
F000h – F7FFh	Reserved
F800h – FBFFh	Bootloader
FC00h – FCFFh	$\mu$ -law expansion table
FD00h – FDFFh	A-law expansion table
FE00h – FEFFh	Sine look-up table
FF00h – FF7Fh	Reserved
FF80h – FFFFh	Interrupt vector table

† In the 'VC5402 ROM, 128 words are reserved for factory device-testing purposes. Application code to be implemented in on-chip ROM must reserve these 128 words at addresses FF00h–FF7Fh in program space.

### on-chip RAM

The 5402 device contains 16K  $\times$  16-bit of on-chip dual-access RAM (DARAM). The DARAM is composed of two blocks of 8K words each. Each block in the DARAM can support two reads in one cycle, or a read and a write in one cycle. The DARAM is located in the address range 0060h–3FFFh in data space, and can be mapped into program/data space by setting the OVLY bit to one.



memory map

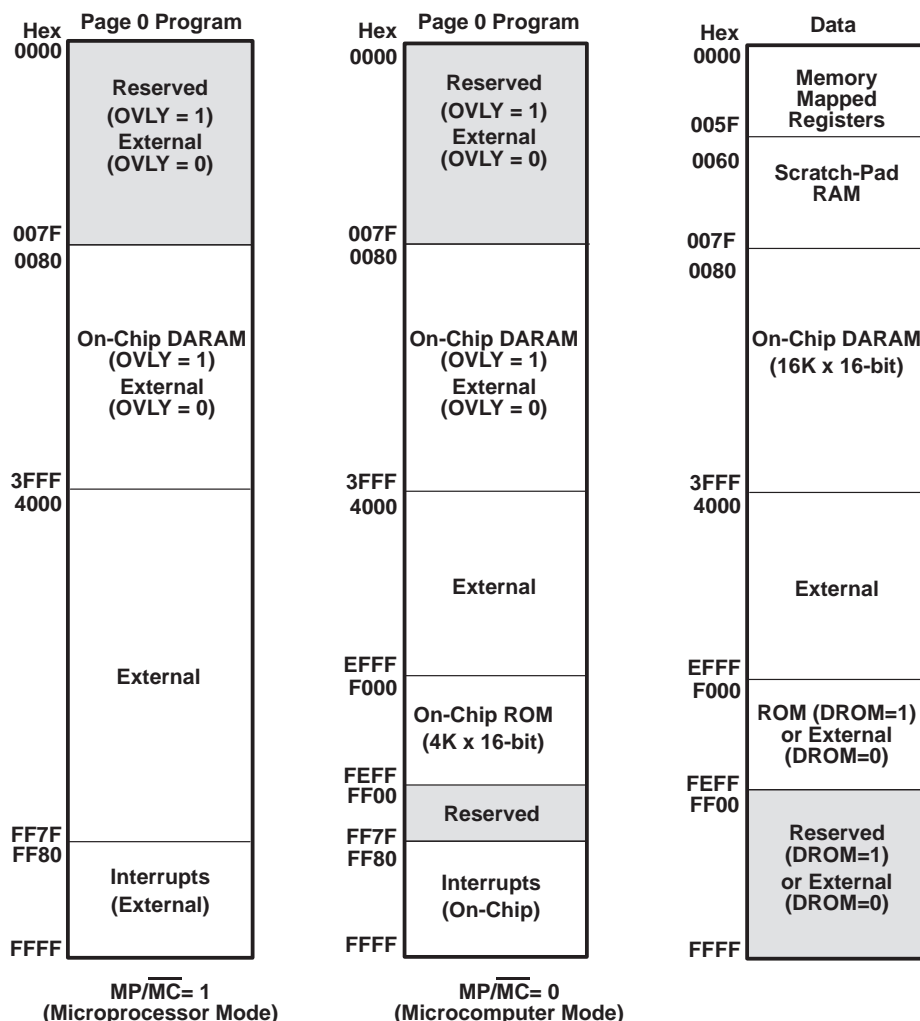


Figure 1. Memory Map

relocatable interrupt vector table

The reset, interrupt, and trap vectors are addressed in program space. These vectors are soft — meaning that the processor, when taking the trap, loads the program counter (PC) with the trap address and executes the code at the vector location. Four words are reserved at each vector location to accommodate a delayed branch instruction, either two 1-word instructions or one 2-word instruction, which allows branching to the appropriate interrupt service routine with minimal overhead.

At device reset, the reset, interrupt, and trap vectors are mapped to address FF80h in program space. However, these vectors can be remapped to the beginning of any 128-word page in program space after device reset. This is done by loading the interrupt vector pointer (IPTR) bits in the PMST register (see Figure 2) with the appropriate 128-word page boundary address. After loading IPTR, any user interrupt or trap vector is mapped to the new 128-word page.

NOTE: The hardware reset ( $\overline{RS}$ ) vector cannot be remapped because a hardware reset loads the IPTR with 1s. Therefore, the reset vector is always fetched at location FF80h in program space.

# TMS320VC5402 FIXED-POINT DIGITAL SIGNAL PROCESSOR

SPRS079G – OCTOBER 1998 – REVISED OCTOBER 2008

## relocatable interrupt vector table (continued)

15	7	6	5	4	3	2	1	0
IPTR		MP/MC	OVLY	AVIS	DROM	CLK OFF	SMUL	SST
R/W		R/W	R/W	R	R	R	R/W	R/W

LEGEND: R = Read, W = Write

Figure 2. Processor Mode Status (PMST) Registers

## extended program memory

The 5402 uses a paged extended memory scheme in program space to allow access of up to 1024K program memory locations. In order to implement this scheme, the 5402 includes several features that are also present on the 548/549 devices:

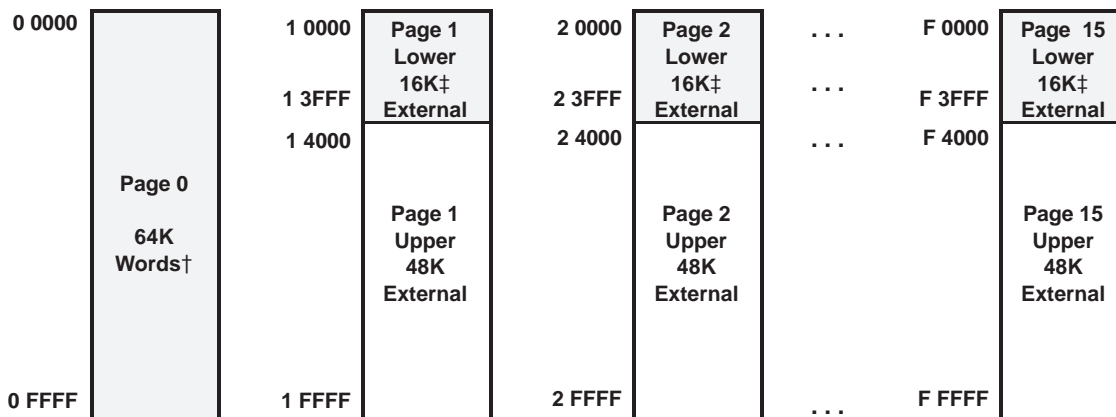
- Twenty address lines, instead of sixteen
- An extra memory-mapped register, the XPC register, defines the page selection. This register is memory-mapped into data space to address 001Eh. At a hardware reset, the XPC is initialized to 0.
- Six extra instructions for addressing extended program space. These six instructions affect the XPC.
  - *FB[D]* pmad (20 bits) – Far branch
  - *FBACC[D]* Accu[19:0] – Far branch to the location specified by the value in accumulator A or accumulator B
  - *FCALL[D]* pmad (20 bits) – Far call
  - *FCALA[D]* Accu[19:0] – Far call to the location specified by the value in accumulator A or accumulator B
  - *FRET[D]* – Far return
  - *FRETE[D]* – Far return with interrupts enabled
- In addition to these new instructions, two 54x instructions are extended to use 20 bits in the 5402:
  - READA data\_memory (using 20-bit accumulator address)
  - WRITA data\_memory (using 20-bit accumulator address)

All other instructions, software interrupts and hardware interrupts do not modify the XPC register and access only memory within the current page.

Program memory in the 5402 is organized into 16 pages that are each 64K in length, as shown in Figure 3.



**extended program memory (continued)**



† See Figure 1

‡ The lower 16K words of pages 1 through 15 are available only when the OVLY bit is cleared to 0. If the OVLY bit is set to 1, the on-chip RAM is mapped to the lower 16K words of all program space pages.

**Figure 3. Extended Program Memory**

# TMS320VC5402 FIXED-POINT DIGITAL SIGNAL PROCESSOR

SPRS079G – OCTOBER 1998 – REVISED OCTOBER 2008

## on-chip peripherals

The 5402 device has the following peripherals:

- Software-programmable wait-state generator with programmable bank-switching wait states
- An enhanced 8-bit host-port interface (HPI8)
- Two multichannel buffered serial ports (McBSPs)
- Two hardware timers
- A clock generator with a phase-locked loop (PLL)
- A direct memory access (DMA) controller

## software-programmable wait-state generator

The software wait-state generator of the 5402 can extend external bus cycles by up to fourteen machine cycles. Devices that require more than fourteen wait states can be interfaced using the hardware READY line. When all external accesses are configured for zero wait states, the internal clocks to the wait-state generator are automatically disabled. Disabling the wait-state generator clocks reduces the power consumption of the 5402.

The software wait-state register (SWWSR) controls the operation of the wait-state generator. The 14 LSBs of the SWWSR specify the number of wait states (0 to 7) to be inserted for external memory accesses to five separate address ranges. This allows a different number of wait states for each of the five address ranges. Additionally, the software wait-state multiplier (SWSM) bit of the software wait-state control register (SWCR) defines a multiplication factor of 1 or 2 for the number of wait states. At reset, the wait-state generator is initialized to provide seven wait states on all external memory accesses. The SWWSR bit fields are shown in Figure 4 and described in Table 2.

15	14	12	11	9	8	6	5	3	2	0
XPA	I/O	Data	Data	Program	Program					
R/W-0	R/W-111	R/W-111	R/W-111	R/W-111	R/W-111					

LEGEND: R=Read, W=Write, 0=Value after reset

Figure 4. Software Wait-State Register (SWWSR) [Memory-Mapped Register (MMR) Address 0028h]



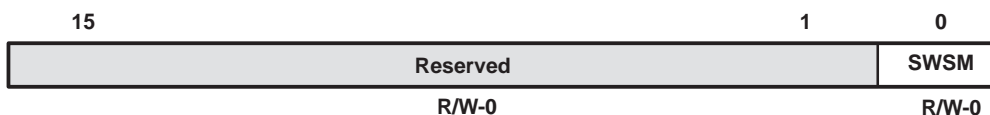


**software-programmable wait-state generator (continued)**

**Table 2. Software Wait-State Register (SWWSR) Bit Fields**

BIT NO.	BIT NAME	RESET VALUE	FUNCTION
15	XPA	0	Extended program address control bit. XPA is used in conjunction with the program space fields (bits 0 through 5) to select the address range for program space wait states.
14–12	I/O	1	I/O space. The field value (0–7) corresponds to the base number of wait states for I/O space accesses within addresses 0000–FFFFh. The SWSM bit of the SWCR defines a multiplication factor of 1 or 2 for the base number of wait states.
11–9	Data	1	Upper data space. The field value (0–7) corresponds to the base number of wait states for external data space accesses within addresses 8000–FFFFh. The SWSM bit of the SWCR defines a multiplication factor of 1 or 2 for the base number of wait states.
8–6	Data	1	Lower data space. The field value (0–7) corresponds to the base number of wait states for external data space accesses within addresses 0000–7FFFh. The SWSM bit of the SWCR defines a multiplication factor of 1 or 2 for the base number of wait states.
5–3	Program	1	Upper program space. The field value (0–7) corresponds to the base number of wait states for external program space accesses within the following addresses: <input type="checkbox"/> XPA = 0: x8000 – xFFFFh <input type="checkbox"/> XPA = 1: The upper program space bit field has no effect on wait states. The SWSM bit of the SWCR defines a multiplication factor of 1 or 2 for the base number of wait states.
2–0	Program	1	Program space. The field value (0–7) corresponds to the base number of wait states for external program space accesses within the following addresses: <input type="checkbox"/> XPA = 0: x0000–x7FFFh <input type="checkbox"/> XPA = 1: 00000–FFFFFh The SWSM bit of the SWCR defines a multiplication factor of 1 or 2 for the base number of wait states.

The software wait-state multiplier bit of the software wait-state control register (SWCR) is used to extend the base number of wait states selected by the SWWSR. The SWCR bit fields are shown in Figure 5 and described in Table 3.



LEGEND: R = Read, W = Write

**Figure 5. Software Wait-State Control Register (SWCR) [MMR Address 002Bh]**

**Table 3. Software Wait-State Control Register (SWCR) Bit Fields**

PIN NO.	PIN NAME	RESET VALUE	FUNCTION
15–1	Reserved	0	These bits are reserved and are unaffected by writes.
0	SWSM	0	Software wait-state multiplier. Used to multiply the number of wait states defined in the SWWSR by a factor of 1 or 2. <input type="checkbox"/> SWSM = 0: wait-state base values are unchanged (multiplied by 1). <input type="checkbox"/> SWSM = 1: wait-state base values are multiplied by 2 for a maximum of 14 wait states.

# TMS320VC5402 FIXED-POINT DIGITAL SIGNAL PROCESSOR

SPRS079G – OCTOBER 1998 – REVISED OCTOBER 2008

## programmable bank-switching wait states

The programmable bank-switching logic of the 5402 is functionally equivalent to that of the 548/549 devices. This feature automatically inserts one cycle when accesses cross memory-bank boundaries within program or data memory space. A bank-switching wait state can also be automatically inserted when accesses cross the data space boundary into program space.

The bank-switching control register (BSCR) defines the bank size for bank-switching wait states. Figure 6 shows the BSCR and its bits are described in Table 4.



**Figure 6. Bank-Switching Control Register (BSCR), MMR Address 0029h**

**Table 4. Bank-Switching Control Register (BSCR) Fields**

BIT NO.	BIT NAME	RESET VALUE	FUNCTION
15–12	BNKCMP	1111	Bank compare. Determines the external memory-bank size. BNKCMP is used to mask the four MSBs of an address. For example, if BNKCMP = 1111b, the four MSBs (bits 12–15) are compared, resulting in a bank size of 4K words. Bank sizes of 4K words to 64K words are allowed.
11	PS - DS	1	Program read – data read access. Inserts an extra cycle between consecutive accesses of program read and data read or data read and program read. PS-DS = 0      No extra cycles are inserted by this feature. PS-DS = 1      One extra cycle is inserted between consecutive data and program reads.
10–3	Reserved	0	These bits are reserved and are unaffected by writes.
2	HBH	0	HPI Bus holder. Controls the HPI bus holder feature. HBH is cleared to 0 at reset. HBH = 0      The bus holder is disabled. HBH = 1      The bus holder is enabled. When not driven, the HPI data bus (HD[7:0]) is held in the previous logic level.
1	BH	0	Bus holder. Controls the data bus holder feature. BH is cleared to 0 at reset. BH = 0      The bus holder is disabled. BH = 1      The bus holder is enabled. When not driven, the data bus (D[15:0]) is held in the previous logic level.
0	EXIO	0	External bus interface off. The EXIO bit controls the external bus-off function. EXIO = 0      The external bus interface functions as usual. EXIO = 1      The address bus, data bus, and control signals become inactive after completing the current bus cycle. Note that the DROM, MP/MC, and OVLY bits in the PMST and the HM bit of ST1 cannot be modified when the interface is disabled.

---

### parallel I/O ports

The 5402 has a total of 64K I/O ports. These ports can be addressed by the PORTR instruction or the PORTW instruction. The  $\overline{IS}$  signal indicates a read/write operation through an I/O port. The 5402 can interface easily with external devices through the I/O ports while requiring minimal off-chip address-decoding circuits.

### enhanced 8-bit host-port interface

The 5402 host-port interface, also referred to as the HPI8, is an enhanced version of the standard 8-bit HPI found on earlier 54x DSPs (542, 545, 548, and 549). The HPI8 is an 8-bit parallel port for interprocessor communication. The features of the HPI8 include:

Standard features:

- Sequential transfers (with autoincrement) or random-access transfers
- Host interrupt and 54x interrupt capability
- Multiple data strobes and control pins for interface flexibility

Enhanced features of the 5402 HPI8:

- Access to entire on-chip RAM through DMA bus
- Capability to continue transferring during emulation stop

The HPI8 functions as a slave and enables the host processor to access the on-chip memory of the 5402. A major enhancement to the 5402 HPI over previous versions is that it allows host access to the entire on-chip memory range of the DSP. The HPI8 memory map is identical to that of the DMA controller shown in Figure 7. The host and the DSP both have access to the on-chip RAM at all times and host accesses are always synchronized to the DSP clock. If the host and the DSP contend for access to the same location, the host has priority, and the DSP waits for one HPI8 cycle. Note that since host accesses are always synchronized to the 5402 clock, an active input clock (CLKIN) is required for HPI8 accesses during IDLE states, and host accesses are not allowed while the 5402 reset pin is asserted.

The HPI8 interface consists of an 8-bit bidirectional data bus and various control signals. Sixteen-bit transfers are accomplished in two parts with the HBIL input designating high or low byte. The host communicates with the HPI8 through three dedicated registers — HPI address register (HPIA), HPI data register (HPID), and an HPI control register (HPIC). The HPIA and HPID registers are only accessible by the host, and the HPIC register is accessible by both the host and the 5402.

# TMS320VC5402

## FIXED-POINT DIGITAL SIGNAL PROCESSOR

SPRS079G – OCTOBER 1998 – REVISED OCTOBER 2008

---

### multichannel buffered serial ports

The 5402 device includes two high-speed, full-duplex multichannel buffered serial ports (McBSPs) that allow direct interface to other 'C54x/LC54x devices, codecs, and other devices in a system. The McBSPs are based on the standard serial port interface found on other 54x devices. Like its predecessors, the McBSP provides:

- Full-duplex communication
- Double-buffered data registers, which allow a continuous data stream
- Independent framing and clocking for receive and transmit

In addition, the McBSP has the following capabilities:

- Direct interface to:
  - T1/E1 framers
  - MVIP switching compatible and ST-BUS compliant devices
  - IOM-2 compliant devices
  - Serial peripheral interface devices
- Multichannel transmit and receive of up to 128 channels
- A wide selection of data sizes including 8, 12, 16, 20, 24, or 32 bits
- $\mu$ -law and A-law companding
- Programmable polarity for both frame synchronization and data clocks
- Programmable internal clock and frame generation

The McBSPs consist of separate transmit and receive channels that operate independently. The external interface of each McBSP consists of the following pins:

- BCLKX      Transmit reference clock
- BDX        Transmit data
- BFSX        Transmit frame synchronization
- BCLKR      Receive reference clock
- BDR        Receive data
- BFSR        Receive frame synchronization

The six pins listed are functionally equivalent to previous serial port interface pins in the 'C5000 family of DSPs. On the transmitter, transmit frame synchronization and clocking are indicated by the BFSX and BCLKX pins, respectively. The CPU or DMA can initiate transmission of data by writing to the data transmit register (DXR). Data written to DXR is shifted out on the BDX pin through a transmit shift register (XSR). This structure allows DXR to be loaded with the next word to be sent while the transmission of the current word is in progress.

---

### multichannel buffered serial ports (continued)

On the receiver, receive frame synchronization and clocking are indicated by the BFSR and BCLKR pins, respectively. The CPU or DMA can read received data from the data receive register (DRR). Data received on the BDR pin is shifted into a receive shift register (RSR) and then buffered in the receive buffer register (RBR). If the DRR is empty, the RBR contents are copied into the DRR. If not, the RBR holds the data until the DRR is available. This structure allows storage of the two previous words while the reception of the current word is in progress.

The CPU and DMA can move data to and from the McBSPs and can synchronize transfers based on McBSP interrupts, event signals, and status flags. The DMA is capable of handling data movement between the McBSPs and memory with no intervention from the CPU.

In addition to the standard serial port functions, the McBSP provides programmable clock and frame synchronization signals. The programmable functions include:

- Frame synchronization pulse width
- Frame period
- Frame synchronization delay
- Clock reference (internal vs. external)
- Clock division
- Clock and frame synchronization polarity

The on-chip companding hardware allows compression and expansion of data in either  $\mu$ -law or A-law format. When companding is used, transmit data is encoded according to specified companding law and received data is decoded to 2s complement format.

The McBSP allows the multiple channels to be independently selected for the transmitter and receiver. When multiple channels are selected, each frame represents a time-division multiplexed (TDM) data stream. In using TDM data streams, the CPU may only need to process a few of them. Thus, to save memory and bus bandwidth, multichannel selection allows independent enabling of particular channels for transmission and reception. Up to 32 channels in a stream of up to 128 channels can be enabled.

The clock-stop mode (CLKSTP) in the McBSP provides compatibility with the serial peripheral interface (SPI) protocol. The word sizes supported by the McBSP are programmable for 8-, 12-, 16-, 20-, 24-, or 32-bit operation. When the McBSP is configured to operate in SPI mode, both the transmitter and the receiver operate together as a master or as a slave.

The McBSP is fully static and operates at arbitrarily low clock frequencies. The maximum frequency is CPU clock frequency divided by 2.

### hardware timer

The 5402 device features two 16-bit timing circuits with 4-bit prescalers. The main counter of each timer is decremented by one every CLKOUT cycle. Each time the counter decrements to 0, a timer interrupt is generated. The timers can be stopped, restarted, reset, or disabled by specific control bits.

### clock generator

The clock generator provides clocks to the 5402 device, and consists of an internal oscillator and a phase-locked loop (PLL) circuit. The clock generator requires a reference clock input, which can be provided by using a crystal resonator with the internal oscillator, or from an external clock source.

**NOTE:** All revisions of the 5402 can be operated with an external clock source, provided that the proper voltage levels be driven on the X2/CLKIN pin. It should be noted that the X2/CLKIN pin is referenced to the device 1.8V power supply (CVdd), rather than the 3V I/O supply (DVdd). Refer to the recommended operating conditions section of this document for the allowable voltage levels of the X2/CLKIN pin.

# TMS320VC5402 FIXED-POINT DIGITAL SIGNAL PROCESSOR

SPRS079G – OCTOBER 1998 – REVISED OCTOBER 2008

## clock generator (continued)

The reference clock input is then divided by two (DIV mode) to generate clocks for the 5402 device, or the PLL circuit can be used (PLL mode) to generate the device clock by multiplying the reference clock frequency by a scale factor, allowing use of a clock source with a lower frequency than that of the CPU. The PLL is an adaptive circuit that, once synchronized, locks onto and tracks an input clock signal.

When the PLL is initially started, it enters a transitional mode during which the PLL acquires lock with the input signal. Once the PLL is locked, it continues to track and maintain synchronization with the input signal. Then, other internal clock circuitry allows the synthesis of new clock frequencies for use as master clock for the 5402 device.

This clock generator allows system designers to select the clock source. The sources that drive the clock generator are:

- A crystal resonator circuit. The crystal resonator circuit is connected across the X1 and X2/CLKIN pins of the 5402 to enable the internal oscillator.
- An external clock. The external clock source is directly connected to the X2/CLKIN pin, and X1 is left unconnected.

**NOTE:** All revisions of the 5402 can be operated with an external clock source, provided that the proper voltage levels be driven on the X2/CLKIN pin. It should be noted that the X2/CLKIN pin is referenced to the device 1.8V power supply (CVdd), rather than the 3V I/O supply (DVdd). Refer to the recommended operating conditions section of this document for the allowable voltage levels of the X2/CLKIN pin.

The software-programmable PLL features a high level of flexibility, and includes a clock scaler that provides various clock multiplier ratios, capability to directly enable and disable the PLL, and a PLL lock timer that can be used to delay switching to PLL clocking mode of the device until lock is achieved. Devices that have a built-in software-programmable PLL can be configured in one of two clock modes:

- PLL mode. The input clock (X2/CLKIN) is multiplied by 1 of 31 possible ratios. These ratios are achieved using the PLL circuitry.
- DIV (divider) mode. The input clock is divided by 2 or 4. Note that when DIV mode is used, the PLL can be completely disabled in order to minimize power dissipation.

The software-programmable PLL is controlled using the 16-bit memory-mapped (address 0058h) clock mode register (CLKMD). The CLKMD register is used to define the configuration of the PLL clock module. Upon reset, the CLKMD register is initialized with a predetermined value dependent only upon the state of the CLKMD1 – CLKMD3 pins as shown in Table 5.

**Table 5. Clock Mode Settings at Reset**

CLKMD1	CLKMD2	CLKMD3	CLKMD RESET VALUE	CLOCK MODE
0	0	0	E007h	PLL x 15
0	0	1	9007h	PLL x 10
0	1	0	4007h	PLL x 5
1	0	0	1007h	PLL x 2
1	1	0	F007h	PLL x 1
1	1	1	0000h	1/2 (PLL disabled)
1	0	1	F000h	1/4 (PLL disabled)
0	1	1	—	Reserved (bypass mode)

**DMA controller**

The 5402 direct memory access (DMA) controller transfers data between points in the memory map without intervention by the CPU. The DMA controller allows movements of data to and from internal program/data memory or internal peripherals (such as the McBSPs) to occur in the background of CPU operation. The DMA has six independent programmable channels allowing six different contexts for DMA operation.

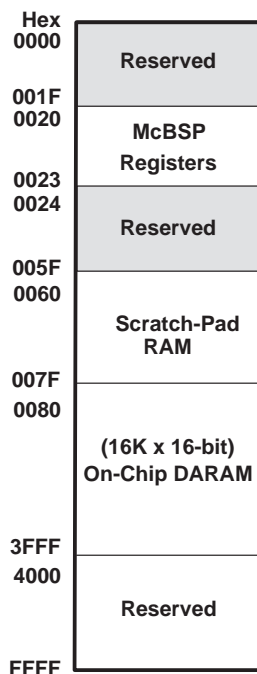
**features**

The DMA has the following features:

- The DMA operates independently of the CPU.
- The DMA has six channels. The DMA can keep track of the contexts of six independent block transfers.
- The DMA has higher priority than the CPU for internal accesses.
- Each channel has independently programmable priorities.
- Each channel's source and destination address registers can have configurable indexes through memory on each read and write transfer, respectively. The address may remain constant, be post-incremented, post-decremented, or be adjusted by a programmable value.
- Each read or write transfer may be initialized by selected events.
- Upon completion of a half-block or an entire-block transfer, each DMA channel may send an interrupt to the CPU.
- The DMA can perform double-word transfers (a 32-bit transfer of two 16-bit words).

**DMA memory map**

The DMA memory map is shown in Figure 7 to allow DMA transfers to be unaffected by the status of the MPMC, DROM, and OVLY bits.



**Figure 7. 5402 DMA Memory Map**



# TMS320VC5402

## FIXED-POINT DIGITAL SIGNAL PROCESSOR

SPRS079G – OCTOBER 1998 – REVISED OCTOBER 2008

---

### ***DMA priority level***

Each DMA channel can be independently assigned high priority or low priority relative to each other. Multiple DMA channels that are assigned to the same priority level are handled in a round-robin manner.

### ***DMA source/destination address modification***

The DMA provides flexible address-indexing modes for easy implementation of data management schemes such as autobuffering and circular buffers. Source and destination addresses can be indexed separately and can be post-incremented, post-decremented, or post-incremented with a specified index offset.

### ***DMA in autoinitialization mode***

The DMA can automatically reinitialize itself after completion of a block transfer. Some of the DMA registers can be preloaded for the next block transfer through the DMA global reload registers (DMGSA, DMGDA, and DMGCR). Autoinitialization allows:

- Continuous operation: Normally, the CPU would have to reinitialize the DMA immediately after the completion of the current block transfer; but with the global reload registers, it can reinitialize these values for the next block transfer any time after the current block transfer begins.
- Repetitive operation: The CPU does not preload the global reload register with new values for each block transfer but only loads them on the first block transfer.

### ***DMA transfer counting***

The DMA channel element count register (DMCTR<sub>x</sub>) and the frame count register (DMSFC<sub>x</sub>) contain bit fields that represent the number of frames and the number of elements per frame to be transferred.

- Frame count. This 8-bit value defines the total number of frames in the block transfer. The maximum number of frames per block transfer is 128 (FRAME COUNT= 0ffh). The counter is decremented upon the last read transfer in a frame transfer. Once the last frame is transferred, the selected 8-bit counter is reloaded with the DMA global frame reload register (DMGFR) if the AUTOINIT bit is set to 1. A frame count of 0 (default value) means the block transfer contains a single frame.
- Element count. This 16-bit value defines the number of elements per frame. This counter is decremented after the read transfer of each element. The maximum number of elements per frame is 65536 (DMCTR<sub>n</sub> = 0FFFFh). In autoinitialization mode, once the last frame is transferred, the counter is reloaded with the DMA global count reload register (DMGCR).

### ***DMA transfers in double-word mode***

Double-word mode allows the DMA to transfer 32-bit words in any index mode. In double-word mode, two consecutive 16-bit transfers are initiated and the source and destination addresses are automatically updated following each transfer. In this mode, each 32-bit word is considered to be one element.

### ***DMA channel index registers***

The particular DMA channel index register is selected by way of the SIND and DIND field in the DMA mode control register (DMMCR<sub>x</sub>). Unlike basic address adjustment, in conjunction with the frame index DMFRI0 and DMFRI1, the DMA allows different adjustment amounts depending on whether or not the element transfer is the last in the current frame. The normal adjustment value (element index) is contained in the element index registers DMIDX0 and DMIDX1. The adjustment value (frame index) for the end of the frame, is determined by the selected DMA frame index register, either DMFRI0 or DMFRI1.



**DMA channel index registers (continued)**

The element index and the frame index affect address adjustment as follows:

- Element index: For all except the last transfer in the frame, the element index determines the amount to be added to the DMA channel for the source/destination address register (DMSRCx/DMDSTx) as selected by the SIND/DIND bits.
- Frame index: If the transfer is the last in a frame, the frame index is used for address adjustment as selected by the SIND/DIND bits. This occurs in both single-frame and multi-frame transfer.

**DMA interrupts**

The ability of the DMA to interrupt the CPU based on the status of the data transfer is configurable and is determined by the IMOD and DINM bits in the DMA channel mode control register (DMMCRn). The available modes are shown in Table 6.

**Table 6. DMA Interrupts**

MODE	DINM	IMOD	INTERRUPT
ABU (non-decrement)	1	0	At full buffer only
ABU (non-decrement)	1	1	At half buffer and full buffer
Multi-Frame	1	0	At block transfer complete (DMCTRn = DMSEFCn[7:0] = 0)
Multi-Frame	1	1	At end of frame and end of block (DMCTRn = 0)
Either	0	X	No interrupt generated
Either	0	X	No interrupt generated

**DMA controller synchronization events**

The transfers associated with each DMA channel can be synchronized to one of several events. The DSYN bit field of the DMA channel x sync select and frame count (DMSFCx) register selects the synchronization event for a channel. The list of possible events and the DSYN values are shown in Table 7.

**Table 7. DMA Synchronization Events**

DSYN VALUE	DMA SYNCHRONIZATION EVENT
0000b	No synchronization used
0001b	McBSP0 receive event
0010b	McBSP0 transmit event
0011–0100b	Reserved
0101b	McBSP1 receive event
0110b	McBSP1 transmit event
0111b–0110b	Reserved
1101b	Timer0 interrupt
1110b	External interrupt 3
1111b	Timer1 interrupt

# TMS320VC5402 FIXED-POINT DIGITAL SIGNAL PROCESSOR

SPRS079G – OCTOBER 1998 – REVISED OCTOBER 2008

---

## **DMA channel interrupt selection**

The DMA controller can generate a CPU interrupt for each of the six channels. However, the interrupt sources for channels 0,1, 2, and 3 are multiplexed with other interrupt sources. DMA channels 2 and 3 share an interrupt line with the receive and transmit portions of McBSP1 (IMR/IFR bits 10 and 11), and DMA channel 1 shares an interrupt line with timer 1 (IMR/IFR bit 7). The interrupt source for DMA channel 0 is shared with a reserved interrupt source. When the 5402 is reset, the interrupts from these four DMA channels are deselected. The INTSEL bit field in the DMA channel priority and enable control (DMPREC) register can be used to select these interrupts, as shown in Table 8.

**Table 8. DMA Channel Interrupt Selection**

INTSEL Value	IMR/IFR[6]	IMR/IFR[7]	IMR/IFR[10]	IMR/IFR[11]
00b (reset)	Reserved	TINT1	BRINT1	BXINT1
01b	Reserved	TINT1	DMAC2	DMAC3
10b	DMAC0	DMAC1	DMAC2	DMAC3
11b	Reserved			

## memory-mapped registers

The 5402 has 27 memory-mapped CPU registers, which are mapped in data memory space addresses 0h to 1Fh. Table 9 gives a list of CPU memory-mapped registers (MMRs) available on 5402. The device also has a set of memory-mapped registers associated with peripherals. Table 10, Table 11, and Table 12 show additional peripheral MMRs associated with the 5402.

**Table 9. CPU Memory-Mapped Registers**

NAME	ADDRESS		DESCRIPTION
	DEC	HEX	
IMR	0	0	Interrupt mask register
IFR	1	1	Interrupt flag register
–	2–5	2–5	Reserved for testing
ST0	6	6	Status register 0
ST1	7	7	Status register 1
AL	8	8	Accumulator A low word (15–0)
AH	9	9	Accumulator A high word (31–16)
AG	10	A	Accumulator A guard bits (39–32)
BL	11	B	Accumulator B low word (15–0)
BH	12	C	Accumulator B high word (31–16)
BG	13	D	Accumulator B guard bits (39–32)
TREG	14	E	Temporary register
TRN	15	F	Transition register
AR0	16	10	Auxiliary register 0
AR1	17	11	Auxiliary register 1
AR2	18	12	Auxiliary register 2
AR3	19	13	Auxiliary register 3
AR4	20	14	Auxiliary register 4
AR5	21	15	Auxiliary register 5
AR6	22	16	Auxiliary register 6
AR7	23	17	Auxiliary register 7
SP	24	18	Stack pointer register
BK	25	19	Circular buffer size register
BRC	26	1A	Block repeat counter
RSA	27	1B	Block repeat start address
REA	28	1C	Block repeat end address
PMST	29	1D	Processor mode status (PMST) register
XPC	30	1E	Extended program page register
–	31	1F	Reserved

# TMS320VC5402 FIXED-POINT DIGITAL SIGNAL PROCESSOR

SPRS079G – OCTOBER 1998 – REVISED OCTOBER 2008

## memory-mapped registers (continued)

**Table 10. Peripheral Memory-Mapped Registers**

NAME	ADDRESS	DESCRIPTION	TYPE
DRR20	20h	McBSP0 data receive register 2	McBSP #0
DRR10	21h	McBSP0 data receive register 1	McBSP #0
DXR20	22h	McBSP0 data transmit register 2	McBSP #0
DXR10	23h	McBSP0 data transmit register 1	McBSP #0
TIM	24h	Timer0 register	Timer0
PRD	25h	Timer0 period counter	Timer0
TCR	26h	Timer0 control register	Timer0
–	27h	Reserved	
SWWSR	28h	Software wait-state register	External Bus
BSCR	29h	Bank-switching control register	External Bus
–	2Ah	Reserved	
SWCR	2Bh	Software wait-state control register	External Bus
HPIC	2Ch	HPI control register	HPI
–	2Dh–2Fh	Reserved	
TIM1	30h	Timer1 register	Timer1
PRD1	31h	Timer1 period counter	Timer1
TCR1	32h	Timer1 control register	Timer1
–	33h–37h	Reserved	
SPSA0	38h	McBSP0 subbank address register <sup>†</sup>	McBSP #0
SPSD0	39h	McBSP0 subbank data register <sup>†</sup>	McBSP #0
–	3Ah–3Bh	Reserved	
GPIOCR	3Ch	General-purpose I/O pins control register	GPIO
GPIOSR	3Dh	General-purpose I/O pins status register	GPIO
–	3Eh–3Fh	Reserved	
DRR21	40h	McBSP1 data receive register 2	McBSP #1
DRR11	41h	McBSP1 data receive register 1	McBSP #1
DXR21	42h	McBSP1 data transmit register 2	McBSP #1
DXR11	43h	McBSP1 data transmit register 1	McBSP #1
–	44h–47h	Reserved	
SPSA1	48h	McBSP1 subbank address register <sup>†</sup>	McBSP #1
SPSD1	49h	McBSP1 subbank data register <sup>†</sup>	McBSP #1
–	4Ah–53h	Reserved	
DMPREC	54h	DMA channel priority and enable control register	DMA
DMSA	55h	DMA subbank address register <sup>‡</sup>	DMA
DMSDI	56h	DMA subbank data register with autoincrement <sup>‡</sup>	DMA
DMSDN	57h	DMA subbank data register <sup>‡</sup>	DMA
CLKMD	58h	Clock mode register	PLL
–	59h–5Fh	Reserved	

<sup>†</sup> See Table 11 for a detailed description of the McBSP control registers and their sub-addresses.

<sup>‡</sup> See Table 12 for a detailed description of the DMA subbank addressed registers.



## McBSP control registers and subaddresses

The control registers for the multichannel buffered serial port (McBSP) are accessed using the subbank addressing scheme. This allows a set or subbank of registers to be accessed through a single memory location. The serial port subbank address (SPSA) register is used as a pointer to select a particular register within the subbank. The serial port subbank data (SPSD) register is used to access (read or write) the selected register. Table 11 shows the McBSP control registers and their corresponding sub-addresses.

**Table 11. McBSP Control Registers and Subaddresses**

McBSP0		McBSP1		SUB-ADDRESS	DESCRIPTION
NAME	ADDRESS	NAME	ADDRESS		
SPCR10	39h	SPCR11	49h	00h	Serial port control register 1
SPCR20	39h	SPCR21	49h	01h	Serial port control register 2
RCR10	39h	RCR11	49h	02h	Receive control register 1
RCR20	39h	RCR21	49h	03h	Receive control register 2
XCR10	39h	XCR11	49h	04h	Transmit control register 1
XCR20	39h	XCR21	49h	05h	Transmit control register 2
SRGR10	39h	SRGR11	49h	06h	Sample rate generator register 1
SRGR20	39h	SRGR21	49h	07h	Sample rate generator register 2
MCR10	39h	MCR11	49h	08h	Multichannel register 1
MCR20	39h	MCR21	49h	09h	Multichannel register 2
RCERA0	39h	RCERA1	49h	0Ah	Receive channel enable register partition A
RCERB0	39h	RCERB1	49h	0Bh	Receive channel enable register partition B
XCERA0	39h	XCERA1	49h	0Ch	Transmit channel enable register partition A
XCERB0	39h	XCERB1	49h	0Dh	Transmit channel enable register partition B
PCR0	39h	PCR1	49h	0Eh	Pin control register

## DMA subbank addressed registers

The direct memory access (DMA) controller has several control registers associated with it. The main control register (DMPREC) is a standard memory-mapped register. However, the other registers are accessed using the subbank addressing scheme. This allows a set or subbank of registers to be accessed through a single memory location. The DMA subbank address (DMSA) register is used as a pointer to select a particular register within the subbank, while the DMA subbank data (DMSDN) register or the DMA subbank data register with autoincrement (DMSDI) is used to access (read or write) the selected register.

When the DMSDI register is used to access the subbank, the subbank address is automatically post-incremented so that a subsequent access affects the next register within the subbank. This autoincrement feature is intended for efficient, successive accesses to several control registers. If the autoincrement feature is not required, the DMSDN register should be used to access the subbank. Table 12 shows the DMA controller subbank addressed registers and their corresponding subaddresses.

# TMS320VC5402 FIXED-POINT DIGITAL SIGNAL PROCESSOR

SPRS079G – OCTOBER 1998 – REVISED OCTOBER 2008

## DMA subbank addressed registers (continued)

**Table 12. DMA Subbank Addressed Registers**

DMA		SUB- ADDRESS	DESCRIPTION
NAME	ADDRESS		
DMSRC0	56h/57h	00h	DMA channel 0 source address register
DMDST0	56h/57h	01h	DMA channel 0 destination address register
DMCTR0	56h/57h	02h	DMA channel 0 element count register
DMSFC0	56h/57h	03h	DMA channel 0 sync select and frame count register
DMMCR0	56h/57h	04h	DMA channel 0 transfer mode control register
DMSRC1	56h/57h	05h	DMA channel 1 source address register
DMDST1	56h/57h	06h	DMA channel 1 destination address register
DMCTR1	56h/57h	07h	DMA channel 1 element count register
DMSFC1	56h/57h	08h	DMA channel 1 sync select and frame count register
DMMCR1	56h/57h	09h	DMA channel 1 transfer mode control register
DMSRC2	56h/57h	0Ah	DMA channel 2 source address register
DMDST2	56h/57h	0Bh	DMA channel 2 destination address register
DMCTR2	56h/57h	0Ch	DMA channel 2 element count register
DMSFC2	56h/57h	0Dh	DMA channel 2 sync select and frame count register
DMMCR2	56h/57h	0Eh	DMA channel 2 transfer mode control register
DMSRC3	56h/57h	0Fh	DMA channel 3 source address register
DMDST3	56h/57h	10h	DMA channel 3 destination address register
DMCTR3	56h/57h	11h	DMA channel 3 element count register
DMSFC3	56h/57h	12h	DMA channel 3 sync select and frame count register
DMMCR3	56h/57h	13h	DMA channel 3 transfer mode control register
DMSRC4	56h/57h	14h	DMA channel 4 source address register
DMDST4	56h/57h	15h	DMA channel 4 destination address register
DMCTR4	56h/57h	16h	DMA channel 4 element count register
DMSFC4	56h/57h	17h	DMA channel 4 sync select and frame count register
DMMCR4	56h/57h	18h	DMA channel 4 transfer mode control register
DMSRC5	56h/57h	19h	DMA channel 5 source address register
DMDST5	56h/57h	1Ah	DMA channel 5 destination address register
DMCTR5	56h/57h	1Bh	DMA channel 5 element count register
DMSFC5	56h/57h	1Ch	DMA channel 5 sync select and frame count register
DMMCR5	56h/57h	1Dh	DMA channel 5 transfer mode control register
DMSRCP	56h/57h	1Eh	DMA source program page address (common channel)
DMDSTP	56h/57h	1Fh	DMA destination program page address (common channel)
DMIDX0	56h/57h	20h	DMA element index address register 0
DMIDX1	56h/57h	21h	DMA element index address register 1
DMFRI0	56h/57h	22h	DMA frame index register 0
DMFRI1	56h/57h	23h	DMA frame index register 1
DMGSA	56h/57h	24h	DMA global source address reload register
DMGDA	56h/57h	25h	DMA global destination address reload register
DMGCR	56h/57h	26h	DMA global count reload register
DMGFR	56h/57h	27h	DMA global frame count reload register



## interrupts

Vector-relative locations and priorities for all internal and external interrupts are shown in Table 13.

**Table 13. Interrupt Locations and Priorities**

NAME	LOCATION		PRIORITY	FUNCTION
	DECIMAL	HEX		
$\overline{RS}$ , SINTR	0	00	1	Reset (hardware and software reset)
$\overline{NMI}$ , SINT16	4	04	2	Nonmaskable interrupt
SINT17	8	08	—	Software interrupt #17
SINT18	12	0C	—	Software interrupt #18
SINT19	16	10	—	Software interrupt #19
SINT20	20	14	—	Software interrupt #20
SINT21	24	18	—	Software interrupt #21
SINT22	28	1C	—	Software interrupt #22
SINT23	32	20	—	Software interrupt #23
SINT24	36	24	—	Software interrupt #24
SINT25	40	28	—	Software interrupt #25
SINT26	44	2C	—	Software interrupt #26
SINT27	48	30	—	Software interrupt #27
SINT28	52	34	—	Software interrupt #28
SINT29	56	38	—	Software interrupt #29
SINT30	60	3C	—	Software interrupt #30
$\overline{INT0}$ , SINT0	64	40	3	External user interrupt #0
$\overline{INT1}$ , SINT1	68	44	4	External user interrupt #1
$\overline{INT2}$ , SINT2	72	48	5	External user interrupt #2
TINT0, SINT3	76	4C	6	Timer0 interrupt
BRINT0, SINT4	80	50	7	McBSP #0 receive interrupt
BXINT0, SINT5	84	54	8	McBSP #0 transmit interrupt
Reserved(DMAC0), SINT6	88	58	9	Reserved (default) or DMA channel 0 interrupt. The selection is made in the DMPREC register.
TINT1(DMAC1), SINT7	92	5C	10	Timer1 interrupt (default) or DMA channel 1 interrupt. The selection is made in the DMPREC register.
$\overline{INT3}$ , SINT8	96	60	11	External user interrupt #3
HPINT, SINT9	100	64	12	HPI interrupt
BRINT1(DMAC2), SINT10	104	68	13	McBSP #1 receive interrupt (default) or DMA channel 2 interrupt. The selection is made in the DMPREC register.
BXINT1(DMAC3), SINT11	108	6C	14	McBSP #1 transmit interrupt (default) or DMA channel 3 interrupt. The selection is made in the DMPREC register.
DMAC4,SINT12	112	70	15	DMA channel 4 interrupt
DMAC5,SINT13	116	74	16	DMA channel 5 interrupt
Reserved	120–127	78–7F	—	Reserved

# TMS320VC5402 FIXED-POINT DIGITAL SIGNAL PROCESSOR

SPRS079G – OCTOBER 1998 – REVISED OCTOBER 2008

## interrupts (continued)

The bits of the interrupt flag register (IFR) and interrupt mask register (IMR) are arranged as shown in Figure 8.

15–14	13	12	11	10	9	8	7	6	5	4	3	2	1	0
RES	DMAC5	DMAC4	BXINT1 or DMAC3	BRINT1 or DMAC2	HPINT	INT3	TINT1 or DMAC1	RES or DMAC0	BXINT0	BRINT0	TINT0	INT2	INT1	INT0

Figure 8. IFR and IMR Registers

Table 14. IFR and IMR Register Bit Fields

BIT		FUNCTION
NUMBER	NAME	
15–14	–	Reserved for future expansion
13	DMAC5	DMA channel 5 interrupt flag/mask bit
12	DMAC4	DMA channel 4 interrupt flag/mask bit
11	BXINT1/DMAC3	This bit can be configured as either the McBSP1 transmit interrupt flag/mask bit, or the DMA channel 3 interrupt flag/mask bit. The selection is made in the DMPREC register.
10	BRINT1/DMAC2	This bit can be configured as either the McBSP1 receive interrupt flag/mask bit, or the DMA channel 2 interrupt flag/mask bit. The selection is made in the DMPREC register.
9	HPINT	Host to 54x interrupt flag/mask
8	INT3	External interrupt 3 flag/mask
7	TINT1/DMAC1	This bit can be configured as either the timer1 interrupt flag/mask bit, or the DMA channel 1 interrupt flag/mask bit. The selection is made in the DMPREC register.
6	DMAC0	This bit can be configured as either reserved, or the DMA channel 0 interrupt flag/mask bit. The selection is made in the DMPREC register.
5	BXINT0	McBSP0 transmit interrupt flag/mask bit
4	BRINT0	McBSP0 receive interrupt flag/mask bit
3	TINT0	Timer 0 interrupt flag/mask bit
2	INT2	External interrupt 2 flag/mask bit
1	INT1	External interrupt 1 flag/mask bit
0	INT0	External interrupt 0 flag/mask bit



## support

### notices concerning JTAG (IEEE 1149.1) boundary scan test capability

#### *initialization requirements for boundary scan test*

The 5402 uses the JTAG port for boundary scan tests, emulation capability and factory test purposes. To use boundary scan test, the EMU0 and EMU1/ $\overline{\text{OFF}}$  pins must be held HIGH through a rising edge of the  $\overline{\text{TRST}}$  signal prior to the first scan. This operation selects the appropriate TAP control for boundary scan. If at any time during a boundary scan test a rising edge of  $\overline{\text{TRST}}$  occurs when EMU0 or EMU1/ $\overline{\text{OFF}}$  are not high, a factory test mode may be selected preventing boundary scan test from being completed. For this reason, it is recommended that EMU0 and EMU1/ $\overline{\text{OFF}}$  be pulled or driven high at all times during boundary scan test.

#### *boundary scan description language (BSDL) model*

BSDL models are available on the web in the 5402 product folder under the “simulation models” section.

## documentation support

Extensive documentation supports all TMS320™ DSP family of devices from product announcement through applications development. The following types of documentation are available to support the design and use of the C5000 family of DSPs:

- TMS320C54x™ *DSP Functional Overview* (literature number SPRU307)
- Device-specific data sheets (such as this document)
- Complete User Guides
- Development-support tools
- Hardware and software application reports

The five-volume *TMS320C54x DSP Reference Set* consists of:

- *Volume 1: CPU and Peripherals* (literature number SPRU131)
- *Volume 2: Mnemonic Instruction Set* (literature number SPRU172)
- *Volume 3: Algebraic Instruction Set* (literature number SPRU179)
- *Volume 4: Applications Guide* (literature number SPRU173)
- *Volume 5: Enhanced Peripherals* (literature number SPRU302)

The reference set describes in detail the TMS320C54x products currently available, and the hardware and software applications, including algorithms, for fixed-point TMS320 devices.

A series of DSP textbooks is published by Prentice-Hall and John Wiley & Sons to support digital signal processing research and education. The TMS320 newsletter, *Details on Signal Processing*, is published quarterly and distributed to update TMS320 customers on product information.

Information regarding TI™ DSP products is also available on the Worldwide Web at <http://www.ti.com> uniform resource locator (URL).

# TMS320VC5402 FIXED-POINT DIGITAL SIGNAL PROCESSOR

SPRS079G – OCTOBER 1998 – REVISED OCTOBER 2008

---

## support (continued)

### device and development-support tool nomenclature

To designate the stages in the product development cycle, TI assigns prefixes to the part numbers of all TMS320™ DSP devices and support tools. Each TMS320™ DSP commercial family member has one of three prefixes: TMX, TMP, or TMS (e.g., TMS320C6412GDK600). Texas Instruments recommends two of three possible prefix designators for its support tools: TMDX and TMDS. These prefixes represent evolutionary stages of product development from engineering prototypes (TMX/TMDX) through fully qualified production devices/tools (TMS/TMDS).

Device development evolutionary flow:

- TMX** Experimental device that is not necessarily representative of the final device's electrical specifications
- TMP** Final silicon die that conforms to the device's electrical specifications but has not completed quality and reliability verification
- TMS** Fully qualified production device

Support tool development evolutionary flow:

- TMDX** Development-support product that has not yet completed Texas Instruments internal qualification testing.
- TMDS** Fully qualified development-support product

TMX and TMP devices and TMDX development-support tools are shipped against the following disclaimer:

“Developmental product is intended for internal evaluation purposes.”

TMS devices and TMDS development-support tools have been characterized fully, and the quality and reliability of the device have been demonstrated fully. TI's standard warranty applies.

Predictions show that prototype devices (TMX or TMP) have a greater failure rate than the standard production devices. Texas Instruments recommends that these devices not be used in any production system because their expected end-use failure rate still is undefined. Only qualified production devices are to be used.

---

TMS320 is a trademark of Texas Instruments.



**absolute maximum ratings over specified temperature range (unless otherwise noted)†**

Supply voltage I/O range, $DV_{DD}\ddagger$ .....	–0.3 V to 4.0 V
Supply voltage core range, $CV_{DD}\ddagger$ .....	–0.3 V to 2.4 V
Input voltage range, $V_I$ .....	–0.3 V to 4.5 V
Output voltage range, $V_O$ .....	–0.3 V to 4.5 V
Operating case temperature range, $T_C$ .....	–40°C to 100°C
Storage temperature range, $T_{stg}$ .....	–55°C to 150°C

† Stresses beyond those listed under “absolute maximum ratings” may cause permanent damage to the device. These are stress ratings only, and functional operation of the device at these or any other conditions beyond those indicated under “recommended operating conditions” is not implied. Exposure to absolute-maximum-rated conditions for extended periods may affect device reliability.

‡ All voltage values are with respect to  $V_{SS}$ .

**recommended operating conditions**

		MIN	NOM	MAX	UNIT	
$DV_{DD}$	Device supply voltage, I/O§	3	3.3	3.6	V	
$CV_{DD}$	Device supply voltage, core§	1.71	1.8	1.98	V	
$V_{SS}$	Supply voltage, GND	0			V	
$V_{IH}$	High-level input voltage $DV_{DD} = 3.3 \pm 0.3$ V	RS, INTn, NMI, BIO, BCLKR0, BCLKR1, BCLKX0, BCLKX1, HCS, HDS1, HDS2, TDI, TMS, CLKMDn		2.2	$DV_{DD} + 0.3$	V
		X2/CLKIN¶		1.35	$CV_{DD} + 0.3$	
		TCK, TRST		2.5	$DV_{DD} + 0.3$	
		All other inputs		2	$DV_{DD} + 0.3$	
$V_{IL}$	Low-level input voltage $DV_{DD} = 3.3 \pm 0.3$ V	RS, INTn, NMI, X2/CLKIN¶, BIO, BCLKR0, BCLKR1, BCLKX0, BCLKX1, HCS, HDS1, HDS2, TCK, CLKMDn		–0.3	0.6	V
		All other inputs		–0.3	0.8	
$I_{OH}$	High-level output current				–300	μA
$I_{OL}$	Low-level output current				1.5	mA
$T_C$	Operating case temperature	–40			100	°C

§ Texas Instrument DSPs do not require specific power sequencing between the core supply and the I/O supply. However, systems should be designed to ensure that neither supply is powered up for extended periods of time if the other supply is below the proper operating voltage. Excessive exposure to these conditions can adversely affect the long term reliability of the devices. System-level concerns such as bus contention may require supply sequencing to be implemented. In this case, the core supply should be powered up at the same time as or prior to the I/O buffers and then powered down after the I/O buffers.

¶ All revisions of the 5402 can be operated with an external clock source, provided that the proper voltage levels be driven on the X2/CLKIN pin. It should be noted that the X2/CLKIN pin is referenced to the device 1.8V power supply ( $CV_{dd}$ ), rather than the 3V I/O supply ( $DV_{dd}$ ). Refer to the recommended operating conditions section of this document for the allowable voltage levels of the X2/CLKIN pin.

# TMS320VC5402 FIXED-POINT DIGITAL SIGNAL PROCESSOR

SPRS079G – OCTOBER 1998 – REVISED OCTOBER 2008

## electrical characteristics over recommended operating case temperature range (unless otherwise noted)

PARAMETER		TEST CONDITIONS	MIN	TYP†	MAX	UNIT	
V <sub>OH</sub>	High-level output voltage	I <sub>OH</sub> = MAX	2.4			V	
V <sub>OL</sub>	Low-level output voltage	I <sub>OL</sub> = MAX			0.4	V	
I <sub>Iz</sub>	Input current for outputs in high impedance	D[15:0], HD[7:0]	Bus holders enabled, DV <sub>DD</sub> = MAX, V <sub>I</sub> = V <sub>SS</sub> to DV <sub>DD</sub>		-175	175	μA
		All other inputs	DV <sub>DD</sub> = MAX, V <sub>O</sub> = V <sub>SS</sub> to DV <sub>DD</sub>		-5	5	
I <sub>I</sub>	Input current	X2/CLKIN‡	(V <sub>I</sub> = V <sub>SS</sub> to DV <sub>DD</sub> )		-40	40	μA
		TRST		With internal pulldown	-5	300	
		HPIENA		With internal pulldown	-5	300	
		TMS, TCK, TDI, HPI§		With internal pullups, HPIENA = 0	-300	5	
		All other input-only pins			-5	5	
I <sub>DDC</sub>	Supply current, core CPU	CV <sub>DD</sub> = 1.8 V, f <sub>clock</sub> = 100 MHz¶, T <sub>C</sub> = 25°C#		45		mA	
I <sub>DDP</sub>	Supply current, pins	DV <sub>DD</sub> = 3.3 V, f <sub>clock</sub> = 100 MHz¶, T <sub>C</sub> = 25°C		30		mA	
I <sub>DD</sub>	Supply current, standby	IDLE2	PLL × 1 mode, 100 MHz input		2	mA	
		IDLE3	Divide-by-two mode, CLKIN stopped		20	μA	
C <sub>i</sub>	Input capacitance			5		pF	
C <sub>o</sub>	Output capacitance			5		pF	

† All values are typical unless otherwise specified.

‡ All revisions of the 5402 can be operated with an external clock source, provided that the proper voltage levels be driven on the X2/CLKIN pin. It should be noted that the X2/CLKIN pin is referenced to the device 1.8V power supply (CV<sub>DD</sub>), rather than the 3V I/O supply (DV<sub>DD</sub>). Refer to the recommended operating conditions section of this document for the allowable voltage levels of the X2/CLKIN pin.

§ HPI input signals except for HPIENA.

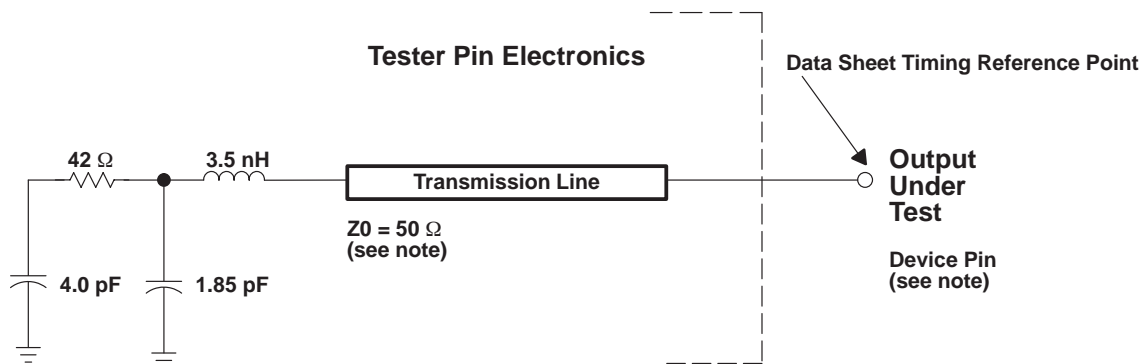
¶ Clock mode: PLL × 1 with external source

# This value represents the current consumption of the CPU, on-chip memory, and on-chip peripherals. Conditions include: program execution from on-chip RAM, with 50% usage of MAC and 50% usage of NOP instructions. Actual operating current varies with program being executed.

|| This value was obtained using the following conditions: external memory writes at a rate of 20 million writes per second, CLKOFF=0, full-duplex operation of McBSP0 and McBSP1 at a rate of 10 million bits per second each, and 15-pF loads on all outputs. For more details on how this calculation is performed, refer to the *Calculation of TMS320C54x Power Dissipation Application Report* (literature number SPRA164).



PARAMETER MEASUREMENT INFORMATION



NOTE: The data sheet provides timing at the device pin. For output timing analysis, the tester pin electronics and its transmission line effects must be taken into account. A transmission line with a delay of 2 ns or longer can be used to produce the desired transmission line effect. The transmission line is intended as a load only. It is not necessary to add or subtract the transmission line delay (2 ns or longer) from the data sheet timings.

Input requirements in this data sheet are tested with an input slew rate of < 4 Volts per nanosecond (4 V/ns) at the device pin.

Figure 9. Tester Pin Electronics

internal oscillator with external crystal

The internal oscillator is enabled by connecting a crystal across X1 and X2/CLKIN. The frequency of CLKOUT is a multiple of the oscillator frequency. The multiply ratio is determined by the bit settings in the CLKMD register. The crystal should be in fundamental-mode operation, and parallel resonant, with an effective series resistance of 30 Ω and power dissipation of 1 mW.

The connection of the required circuit, consisting of the crystal and two load capacitors, is shown in Figure 10. The load capacitors, C<sub>1</sub> and C<sub>2</sub>, should be chosen such that the equation below is satisfied. C<sub>L</sub> in the equation is the load specified for the crystal.

$$C_L = \frac{C_1 C_2}{(C_1 + C_2)}$$

recommended operating conditions of internal oscillator with external crystal (see Figure 10)

	MIN	MAX	UNIT
f <sub>clock</sub> Input clock frequency	10	20	MHz

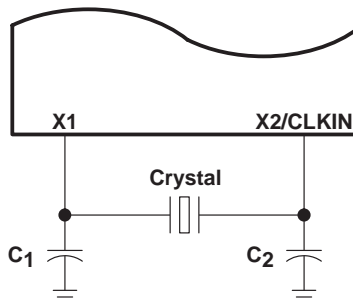


Figure 10. Internal Oscillator With External Crystal

# TMS320VC5402 FIXED-POINT DIGITAL SIGNAL PROCESSOR

SPRS079G – OCTOBER 1998 – REVISED OCTOBER 2008

## divide-by-two clock option (PLL disabled)

The frequency of the reference clock provided at the X2/CLKIN pin can be divided by a factor of two to generate the internal machine cycle. The selection of the clock mode is described in the clock generator section.

When an external clock source is used, the frequency injected must conform to specifications listed in the timing requirements table.

**NOTE:**All revisions of the 5402 can be operated with an external clock source, provided that the proper voltage levels be driven on the X2/CLKIN pin. It should be noted that the X2/CLKIN pin is referenced to the device 1.8V power supply (CVdd), rather than the 3V I/O supply (DVdd). Refer to the recommended operating conditions section of this document for the allowable voltage levels of the X2/CLKIN pin.

## timing requirements (see Figure 11)

	MIN	MAX	UNIT
$t_c(CI)$ Cycle time, X2/CLKIN	20	†	ns
$t_f(CI)$ Fall time, X2/CLKIN		8	ns
$t_r(CI)$ Rise time, X2/CLKIN		8	ns

† This device utilizes a fully static design and therefore can operate with  $t_c(CI)$  approaching  $\infty$ . The device is characterized at frequencies approaching 0 Hz.

## switching characteristics over recommended operating conditions [ $H = 0.5t_c(CO)$ ]<sup>†</sup> (see Figure 10, Figure 11, and the recommended operating conditions table)

PARAMETER	MIN	TYP	MAX	UNIT
$t_c(CO)$ Cycle time, CLKOUT	10 <sup>‡</sup>	2 $t_c(CI)$	†	ns
$t_d(CIH-CO)$ Delay time, X2/CLKIN high to CLKOUT high/low	4	10	17	ns
$t_f(CO)$ Fall time, CLKOUT		2		ns
$t_r(CO)$ Rise time, CLKOUT		2		ns
$t_w(COL)$ Pulse duration, CLKOUT low	H-2		H	ns
$t_w(COH)$ Pulse duration, CLKOUT high	H-2		H	ns

† This device utilizes a fully static design and therefore can operate with  $t_c(CI)$  approaching  $\infty$ . The device is characterized at frequencies approaching 0 Hz.

‡ It is recommended that the PLL clocking option be used for maximum frequency operation.

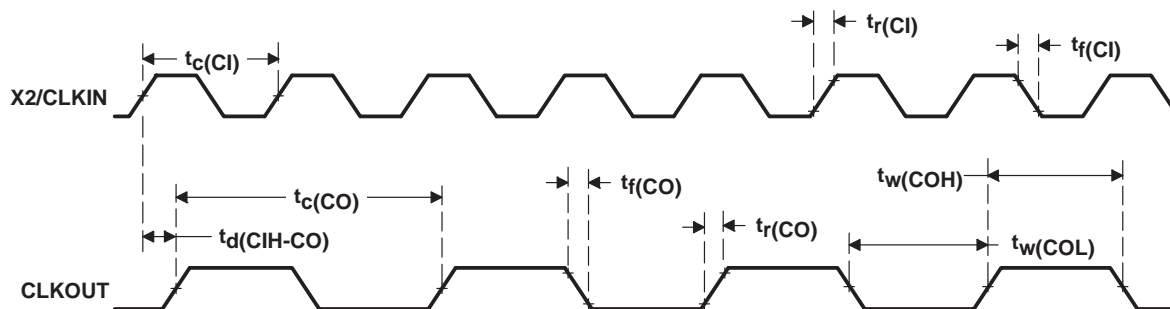


Figure 11. External Divide-by-Two Clock Timing

### multiply-by-N clock option

The frequency of the reference clock provided at the X2/CLKIN pin can be multiplied by a factor of N to generate the internal machine cycle. The selection of the clock mode and the value of N is described in the clock generator section.

When an external clock source is used, the external frequency injected must conform to specifications listed in the timing requirements table.

**NOTE:**All revisions of the 5402 can be operated with an external clock source, provided that the proper voltage levels be driven on the X2/CLKIN pin. It should be noted that the X2/CLKIN pin is referenced to the device 1.8V power supply (CVdd), rather than the 3V I/O supply (DVdd). Refer to the recommended operating conditions section of this document for the allowable voltage levels of the X2/CLKIN pin.

### timing requirements (see Figure 12)†

		MIN	MAX	UNIT	
$t_c(\text{Cl})$	Cycle time, X2/CLKIN	Integer PLL multiplier N (N = 1–15)	20‡	200	ns
		PLL multiplier N = x.5	20‡	100	
		PLL multiplier N = x.25, x.75	20‡	50	
$t_f(\text{Cl})$	Fall time, X2/CLKIN		8	ns	
$t_r(\text{Cl})$	Rise time, X2/CLKIN		8	ns	

† N = Multiplication factor

‡ The multiplication factor and minimum X2/CLKIN cycle time should be chosen such that the resulting CLKOUT cycle time is within the specified range ( $t_c(\text{CO})$ )

### switching characteristics over recommended operating conditions [H = 0.5 $t_c(\text{CO})$ ] (see Figure 10 and Figure 12)

PARAMETER		MIN	TYP	MAX	UNIT
$t_c(\text{CO})$	Cycle time, CLKOUT	10	$t_c(\text{Cl})/N^\dagger$		ns
$t_d(\text{Cl-CO})$	Delay time, X2/CLKIN high/low to CLKOUT high/low	4	10	17	ns
$t_f(\text{CO})$	Fall time, CLKOUT		2		ns
$t_r(\text{CO})$	Rise time, CLKOUT		2		ns
$t_w(\text{COL})$	Pulse duration, CLKOUT low	H–2		H	ns
$t_w(\text{COH})$	Pulse duration, CLKOUT high	H–2		H	ns
$t_p$	Transitory phase, PLL lock up time			30	µs

† N = Multiplication factor

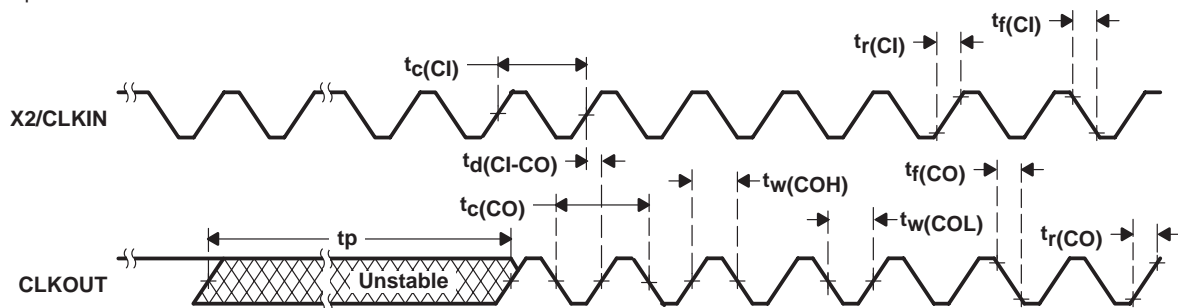


Figure 12. External Multiply-by-One Clock Timing

# TMS320VC5402

## FIXED-POINT DIGITAL SIGNAL PROCESSOR

SPRS079G – OCTOBER 1998 – REVISED OCTOBER 2008

### memory and parallel I/O interface timing

#### timing requirements for a *memory read* ( $\overline{MSTRB} = 0$ ) [H = 0.5 $t_{c(CO)}$ ]<sup>†</sup> (see Figure 13)

		MIN	MAX	UNIT
$t_{a(A)M}$	Access time, read data access from address valid		2H-7	ns
$t_{a(MSTRBL)}$	Access time, read data access from $\overline{MSTRB}$ low		2H-8	ns
$t_{su(D)R}$	Setup time, read data before CLKOUT low	6		ns
$t_{h(D)R}$	Hold time, read data after CLKOUT low	-2		ns
$t_{h(A-D)R}$	Hold time, read data after address invalid	0		ns
$t_{h(D)MSTRBH}$	Hold time, read data after $\overline{MSTRB}$ high	0		ns

<sup>†</sup> Address,  $\overline{PS}$ , and  $\overline{DS}$  timings are all included in timings referenced as address.

#### switching characteristics over recommended operating conditions for a *memory read* ( $\overline{MSTRB} = 0$ )<sup>†</sup> (see Figure 13)

PARAMETER		MIN	MAX	UNIT
$t_d(\text{CLKL-A})$	Delay time, CLKOUT low to address valid <sup>‡</sup>	-2	3	ns
$t_d(\text{CLKH-A})$	Delay time, CLKOUT high (transition) to address valid <sup>§</sup>	-2	3	ns
$t_d(\text{CLKL-MSL})$	Delay time, CLKOUT low to $\overline{MSTRB}$ low	-1	3	ns
$t_d(\text{CLKL-MSH})$	Delay time, CLKOUT low to $\overline{MSTRB}$ high	-1	3	ns
$t_h(\text{CLKL-A})R$	Hold time, address valid after CLKOUT low <sup>‡</sup>	-2	3	ns
$t_h(\text{CLKH-A})R$	Hold time, address valid after CLKOUT high <sup>§</sup>	-2	3	ns

<sup>†</sup> Address,  $\overline{PS}$ , and  $\overline{DS}$  timings are all included in timings referenced as address.

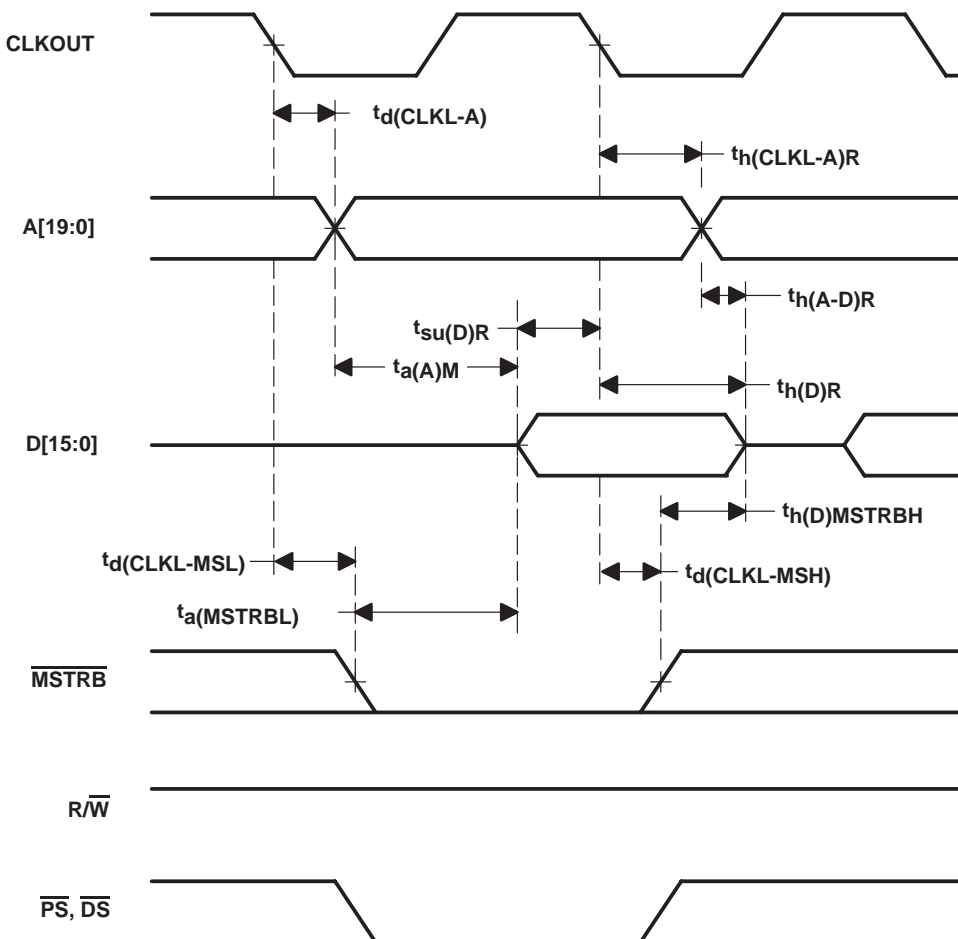
<sup>‡</sup> In the case of a memory read preceded by a memory read

<sup>§</sup> In the case of a memory read preceded by a memory write





memory and parallel I/O interface timing (continued)



NOTE A: A[19:16] are always driven low during accesses to external data space.

Figure 13. Memory Read ( $\overline{\text{MSTRB}} = 0$ )

# TMS320VC5402

## FIXED-POINT DIGITAL SIGNAL PROCESSOR

SPRS079G – OCTOBER 1998 – REVISED OCTOBER 2008

### memory and parallel I/O interface timing (continued)

switching characteristics over recommended operating conditions for a *memory write* ( $\overline{MSTRB} = 0$ ) [ $H = 0.5 t_c(CO)$ ]<sup>†</sup> (see Figure 14)

PARAMETER		MIN	MAX	UNIT
$t_d(\text{CLKH-A})$	Delay time, CLKOUT high to address valid <sup>‡</sup>	-2	3	ns
$t_d(\text{CLKL-A})$	Delay time, CLKOUT low to address valid <sup>§</sup>	-2	3	ns
$t_d(\text{CLKL-MSL})$	Delay time, CLKOUT low to $\overline{MSTRB}$ low	-1	3	ns
$t_d(\text{CLKL-D}W)$	Delay time, CLKOUT low to data valid	0	6	ns
$t_d(\text{CLKL-MSH})$	Delay time, CLKOUT low to $\overline{MSTRB}$ high	-1	3	ns
$t_d(\text{CLKH-RWL})$	Delay time, CLKOUT high to $R/\overline{W}$ low	-1	3	ns
$t_d(\text{CLKH-RWH})$	Delay time, CLKOUT high to $R/\overline{W}$ high	-1	3	ns
$t_d(\text{RWL-MSTRBL})$	Delay time, $R/\overline{W}$ low to $\overline{MSTRB}$ low	H - 2	H + 1	ns
$t_h(\text{A})W$	Hold time, address valid after CLKOUT high <sup>‡</sup>	1	3	ns
$t_h(\text{D})MSH$	Hold time, write data valid after $\overline{MSTRB}$ high	H-3	H+6 <sup>§</sup>	ns
$t_w(\text{SL})MS$	Pulse duration, $\overline{MSTRB}$ low	2H-2		ns
$t_{su}(\text{A})W$	Setup time, address valid before $\overline{MSTRB}$ low	2H-2		ns
$t_{su}(\text{D})MSH$	Setup time, write data valid before $\overline{MSTRB}$ high	2H-6	2H+5 <sup>§</sup>	ns
$t_{en}(\text{D-RWL})$	Enable time, data bus driven after $R/\overline{W}$ low	H-5		ns
$t_{dis}(\text{RWH-D})$	Disable time, $R/\overline{W}$ high to data bus high impedance		0	ns

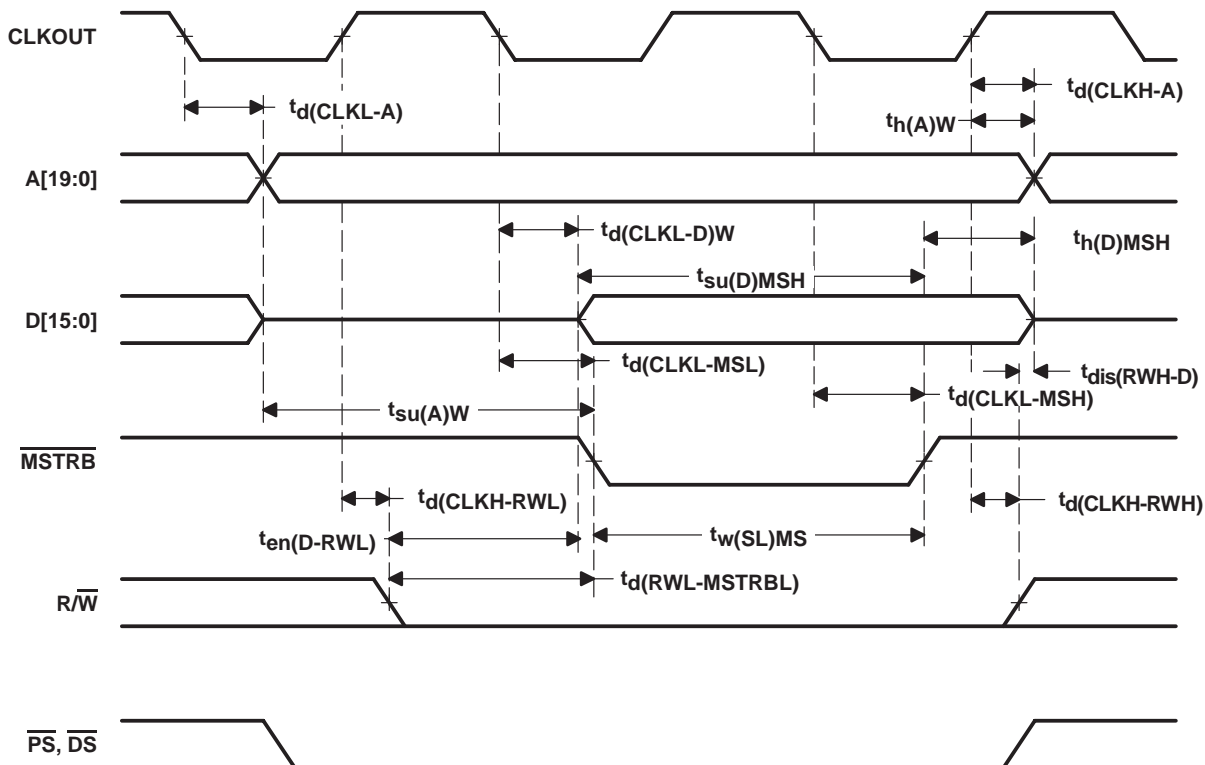
<sup>†</sup> Address,  $\overline{PS}$ , and  $\overline{DS}$  timings are all included in timings referenced as address.

<sup>‡</sup> In the case of a memory write preceded by a memory write

<sup>§</sup> In the case of a memory write preceded by an I/O cycle



memory and parallel I/O interface timing (continued)



NOTE A: A[19:16] are always driven low during accesses to external data space.

Figure 14. Memory Write ( $\overline{\text{MSTRB}} = 0$ )

# TMS320VC5402 FIXED-POINT DIGITAL SIGNAL PROCESSOR

SPRS079G – OCTOBER 1998 – REVISED OCTOBER 2008

## memory and parallel I/O interface timing (continued)

### timing requirements for a parallel I/O port read ( $\overline{\text{IOSTRB}} = 0$ ) [ $H = 0.5 t_{c(\text{CO})}$ ]<sup>†</sup> (see Figure 15)

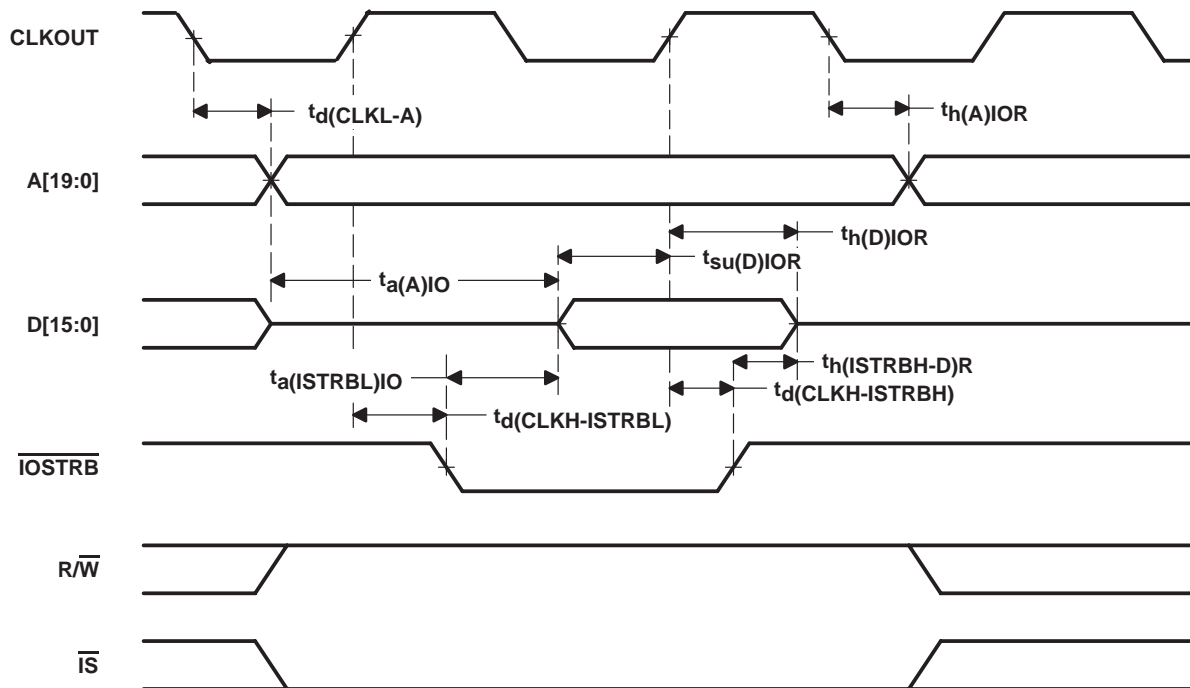
		MIN	MAX	UNIT
$t_{a(\text{A})\text{IO}}$	Access time, read data access from address valid		3H-7	ns
$t_{a(\text{ISTRBL})\text{IO}}$	Access time, read data access from $\overline{\text{IOSTRB}}$ low		2H-7	ns
$t_{\text{su}(\text{D})\text{IOR}}$	Setup time, read data before CLKOUT high	6		ns
$t_{\text{h}(\text{D})\text{IOR}}$	Hold time, read data after CLKOUT high	0		ns
$t_{\text{h}(\text{ISTRBH-D})\text{R}}$	Hold time, read data after $\overline{\text{IOSTRB}}$ high	0		ns

<sup>†</sup> Address and  $\overline{\text{IS}}$  timings are included in timings referenced as address.

### switching characteristics over recommended operating conditions for a parallel I/O port read ( $\overline{\text{IOSTRB}} = 0$ )<sup>†</sup> (see Figure 15)

PARAMETER		MIN	MAX	UNIT
$t_{\text{d}(\text{CLKL-A})}$	Delay time, CLKOUT low to address valid	-2	3	ns
$t_{\text{d}(\text{CLKH-ISTRBL})}$	Delay time, CLKOUT high to $\overline{\text{IOSTRB}}$ low	-2	3	ns
$t_{\text{d}(\text{CLKH-ISTRBH})}$	Delay time, CLKOUT high to $\overline{\text{IOSTRB}}$ high	-2	3	ns
$t_{\text{h}(\text{A})\text{IOR}}$	Hold time, address after CLKOUT low	0	3	ns

<sup>†</sup> Address and  $\overline{\text{IS}}$  timings are included in timings referenced as address.



NOTE A: A[19:16] are always driven low during accesses to I/O space.

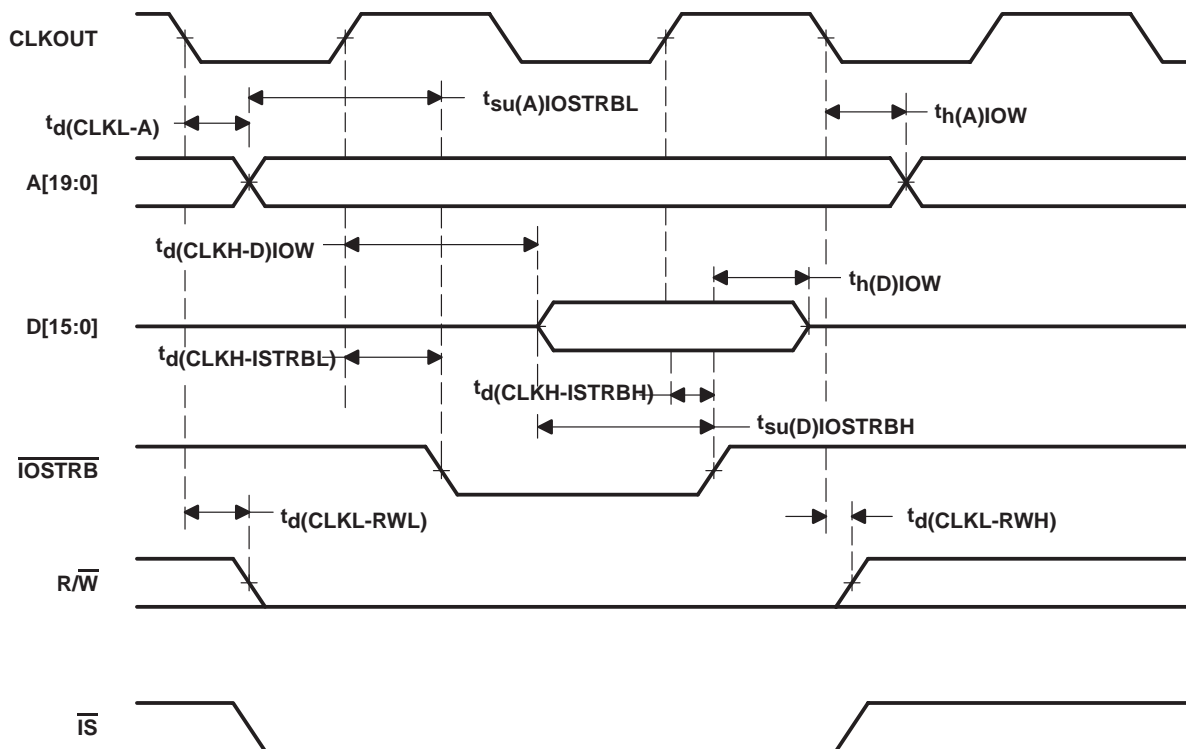
Figure 15. Parallel I/O Port Read ( $\overline{\text{IOSTRB}} = 0$ )

memory and parallel I/O interface timing (continued)

switching characteristics over recommended operating conditions for a *parallel I/O port write* ( $\overline{IOSTRB} = 0$ ) [ $H = 0.5 t_c(CO)$ ]<sup>†</sup> (see Figure 16)

PARAMETER		MIN	MAX	UNIT
$t_d(\text{CLKL-A})$	Delay time, CLKOUT low to address valid	-2	3	ns
$t_d(\text{CLKH-ISTRBL})$	Delay time, CLKOUT high to $\overline{IOSTRB}$ low	-2	3	ns
$t_d(\text{CLKH-D})_{IOW}$	Delay time, CLKOUT high to write data valid	H-5	H+8	ns
$t_d(\text{CLKH-ISTRBH})$	Delay time, CLKOUT high to $\overline{IOSTRB}$ high	-2	3	ns
$t_d(\text{CLKL-RWL})$	Delay time, CLKOUT low to $R/\overline{W}$ low	-1	3	ns
$t_d(\text{CLKL-RWH})$	Delay time, CLKOUT low to $R/\overline{W}$ high	-1	3	ns
$t_h(\text{A})_{IOW}$	Hold time, address valid after CLKOUT low	0	3	ns
$t_h(\text{D})_{IOW}$	Hold time, write data after $\overline{IOSTRB}$ high	H-3	H+7	ns
$t_{su}(\text{D})_{IOSTRBH}$	Setup time, write data before $\overline{IOSTRB}$ high	H-7	H+1	ns
$t_{su}(\text{A})_{IOSTRBL}$	Setup time, address valid before $\overline{IOSTRB}$ low	H-2	H+2	ns

<sup>†</sup> Address and IS timings are included in timings referenced as address.



NOTE A: A[19:16] are always driven low during accesses to I/O space.

Figure 16. Parallel I/O Port Write ( $\overline{IOSTRB} = 0$ )

# TMS320VC5402 FIXED-POINT DIGITAL SIGNAL PROCESSOR

SPRS079G – OCTOBER 1998 – REVISED OCTOBER 2008

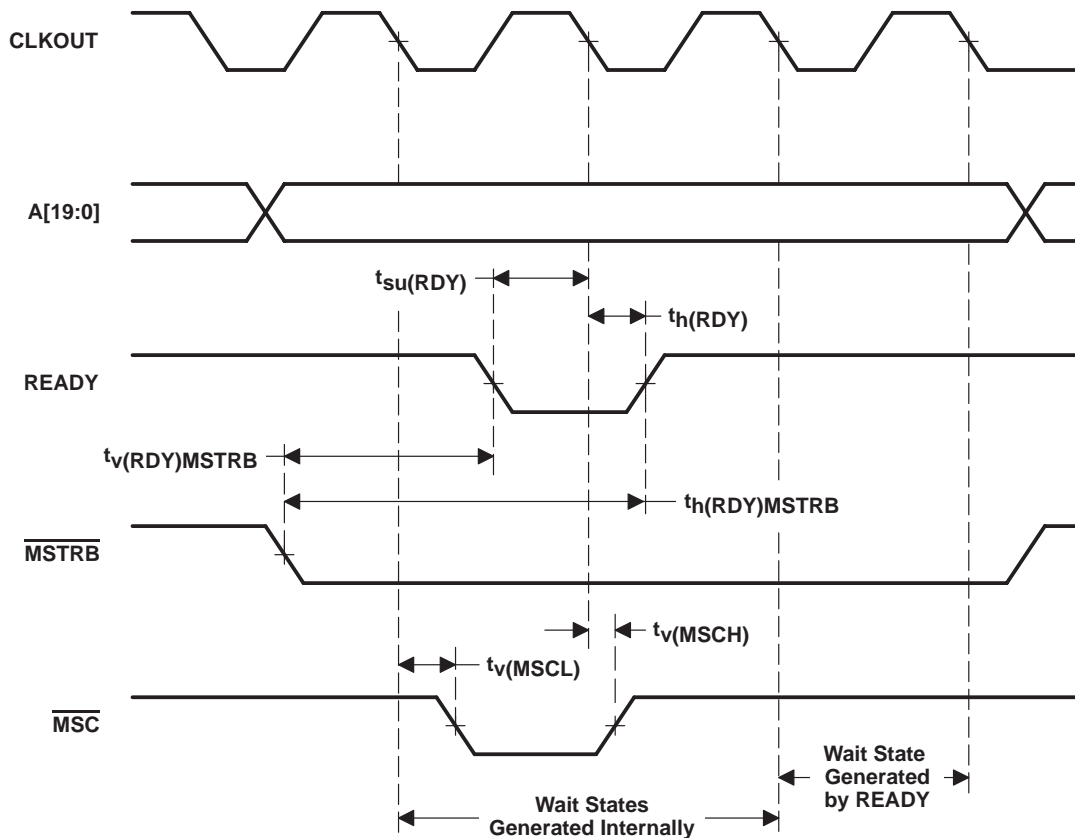
## ready timing for externally generated wait states

timing requirements for externally generated wait states [ $H = 0.5 t_{c(CO)}$ ]<sup>†</sup> (see Figure 17, Figure 18, Figure 19, and Figure 20)

		MIN	MAX	UNIT
$t_{su}(RDY)$	Setup time, READY before CLKOUT low	6		ns
$t_h(RDY)$	Hold time, READY after CLKOUT low	0		ns
$t_v(RDY)MSTRB$	Valid time, READY after $\overline{MSTRB}$ low <sup>‡</sup>		4H-8	ns
$t_h(RDY)MSTRB$	Hold time, READY after $\overline{MSTRB}$ low <sup>‡</sup>	4H		ns
$t_v(RDY)IOSTRB$	Valid time, READY after $\overline{IOSTRB}$ low <sup>‡</sup>		5H-8	ns
$t_h(RDY)IOSTRB$	Hold time, READY after $\overline{IOSTRB}$ low <sup>‡</sup>	5H		ns
$t_v(MSCL)$	Valid time, $\overline{MSC}$ low after CLKOUT low	-1	3	ns
$t_v(MSCH)$	Valid time, $\overline{MSC}$ high after CLKOUT low	-1	3	ns

<sup>†</sup> The hardware wait states can be used only in conjunction with the software wait states to extend the bus cycles. To generate wait states using READY, at least two software wait states must be programmed.

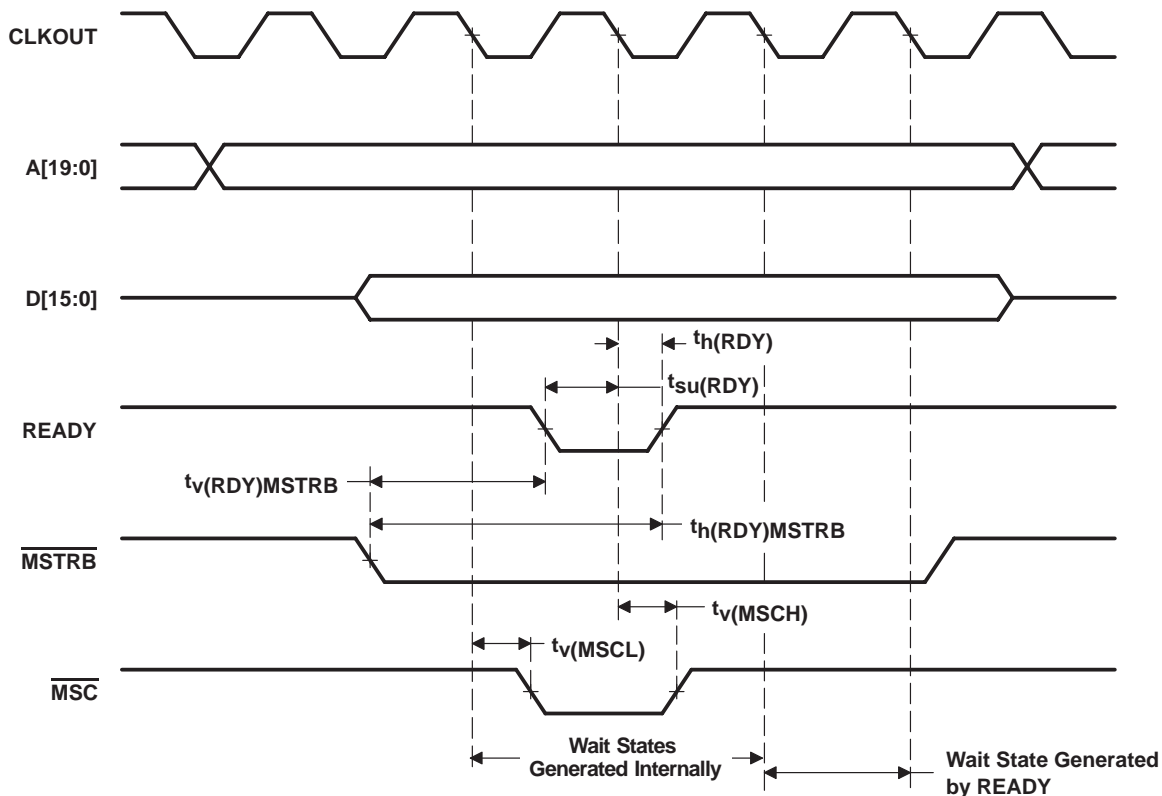
<sup>‡</sup> These timings are included for reference only. The critical timings for READY are those referenced to CLKOUT.



NOTE A: A[19:16] are always driven low during accesses to external data space.

Figure 17. Memory Read With Externally Generated Wait States

ready timing for externally generated wait states (continued)



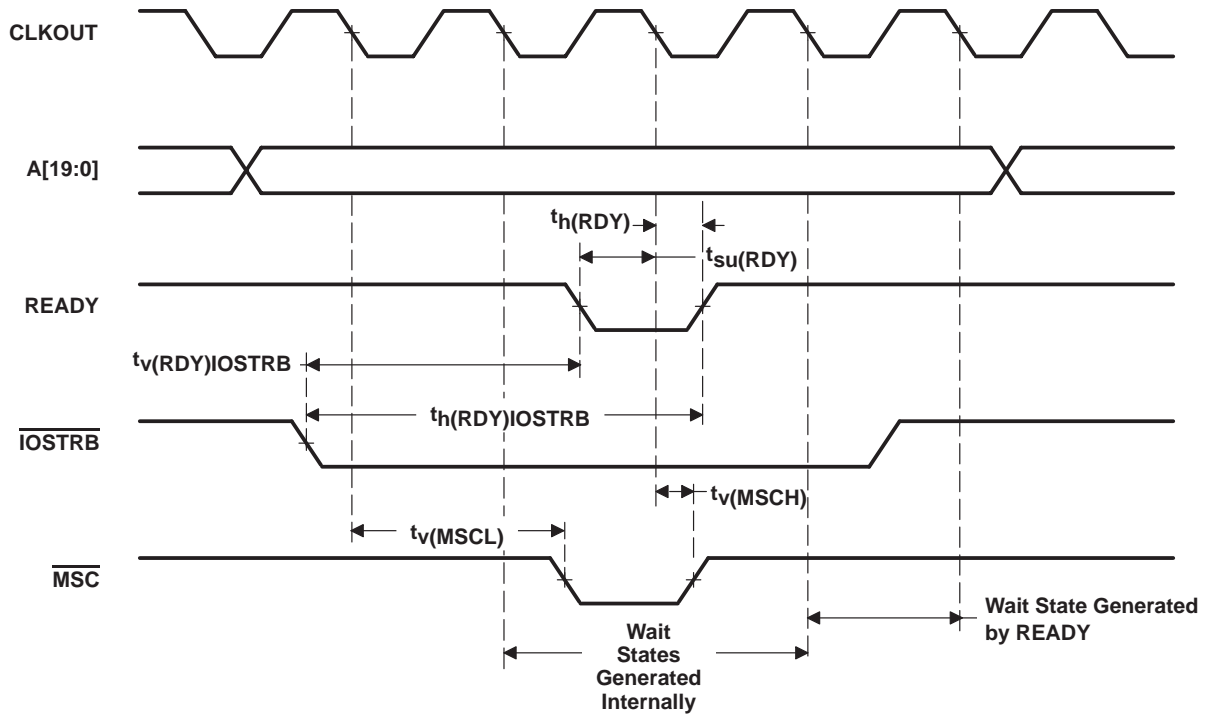
NOTE A: A[19:16] are always driven low during accesses to external data space.

Figure 18. Memory Write With Externally Generated Wait States

# TMS320VC5402 FIXED-POINT DIGITAL SIGNAL PROCESSOR

SPRS079G – OCTOBER 1998 – REVISED OCTOBER 2008

## ready timing for externally generated wait states (continued)

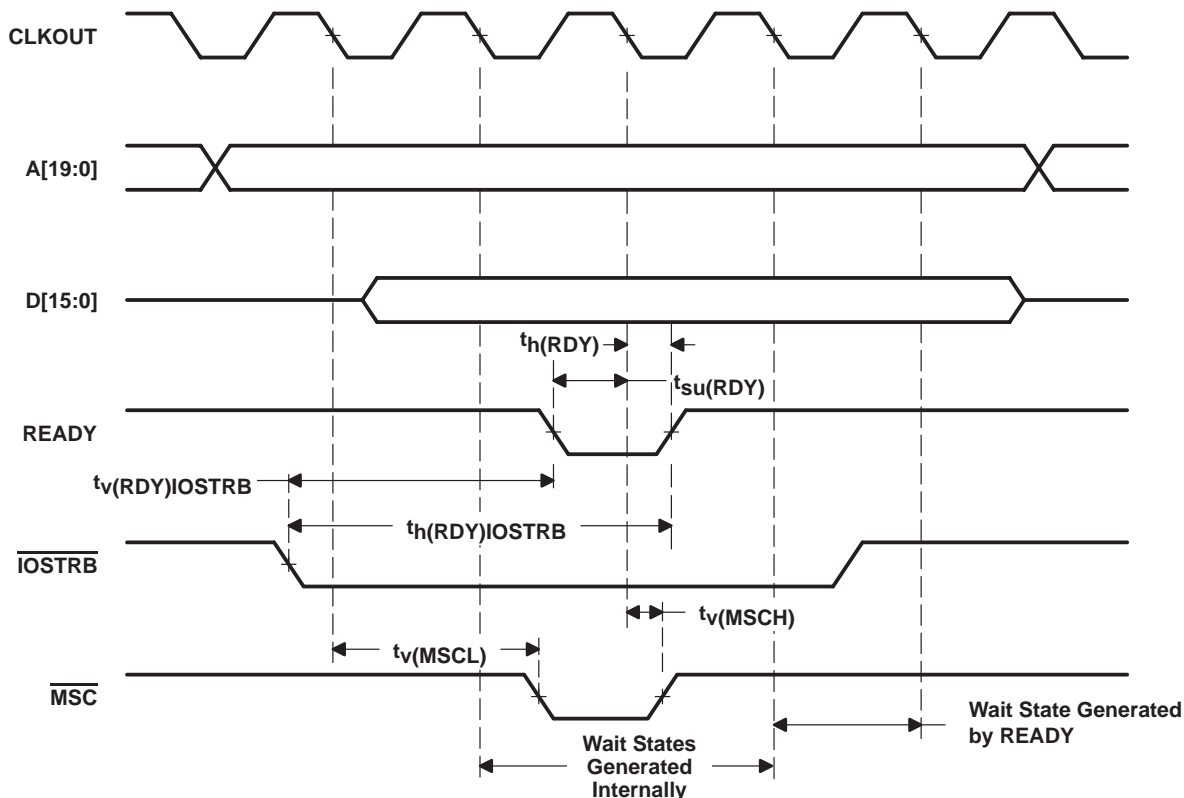


NOTE A: A[19:16] are always driven low during accesses to I/O space.

**Figure 19. I/O Read With Externally Generated Wait States**



ready timing for externally generated wait states (continued)



NOTE A: A[19:16] are always driven low during accesses to I/O space.

Figure 20. I/O Write With Externally Generated Wait States

# TMS320VC5402 FIXED-POINT DIGITAL SIGNAL PROCESSOR

SPRS079G – OCTOBER 1998 – REVISED OCTOBER 2008

## HOLD and HOLDA timings

timing requirements for memory control signals and  $\overline{\text{HOLDA}}$ , [H = 0.5 t<sub>c</sub>(CO)] (see Figure 21)

		MIN	MAX	UNIT
t <sub>w</sub> (HOLD)	Pulse duration, $\overline{\text{HOLD}}$ low	4H+7		ns
t <sub>su</sub> (HOLD)	Setup time, $\overline{\text{HOLD}}$ low/high before CLKOUT low	7		ns

switching characteristics over recommended operating conditions for memory control signals and  $\overline{\text{HOLDA}}$ , [H = 0.5 t<sub>c</sub>(CO)] (see Figure 21)

PARAMETER		MIN	MAX	UNIT
t <sub>dis</sub> (CLKL-A)	Disable time, address, $\overline{\text{PS}}$ , $\overline{\text{DS}}$ , $\overline{\text{IS}}$ high impedance from CLKOUT low		5	ns
t <sub>dis</sub> (CLKL-RW)	Disable time, $\overline{\text{R/W}}$ high impedance from CLKOUT low		5	ns
t <sub>dis</sub> (CLKL-S)	Disable time, $\overline{\text{MSTRB}}$ , $\overline{\text{IOSTRB}}$ high impedance from CLKOUT low		5	ns
t <sub>en</sub> (CLKL-A)	Enable time, address, $\overline{\text{PS}}$ , $\overline{\text{DS}}$ , $\overline{\text{IS}}$ from CLKOUT low		2H+5	ns
t <sub>en</sub> (CLKL-RW)	Enable time, $\overline{\text{R/W}}$ enabled from CLKOUT low		2H+5	ns
t <sub>en</sub> (CLKL-S)	Enable time, $\overline{\text{MSTRB}}$ , $\overline{\text{IOSTRB}}$ enabled from CLKOUT low	2	2H+5	ns
t <sub>v</sub> (HOLDA)	Valid time, $\overline{\text{HOLDA}}$ low after CLKOUT low	-1	2	ns
	Valid time, $\overline{\text{HOLDA}}$ high after CLKOUT low	-1	2	ns
t <sub>w</sub> (HOLDA)	Pulse duration, $\overline{\text{HOLDA}}$ low duration	2H-1		ns

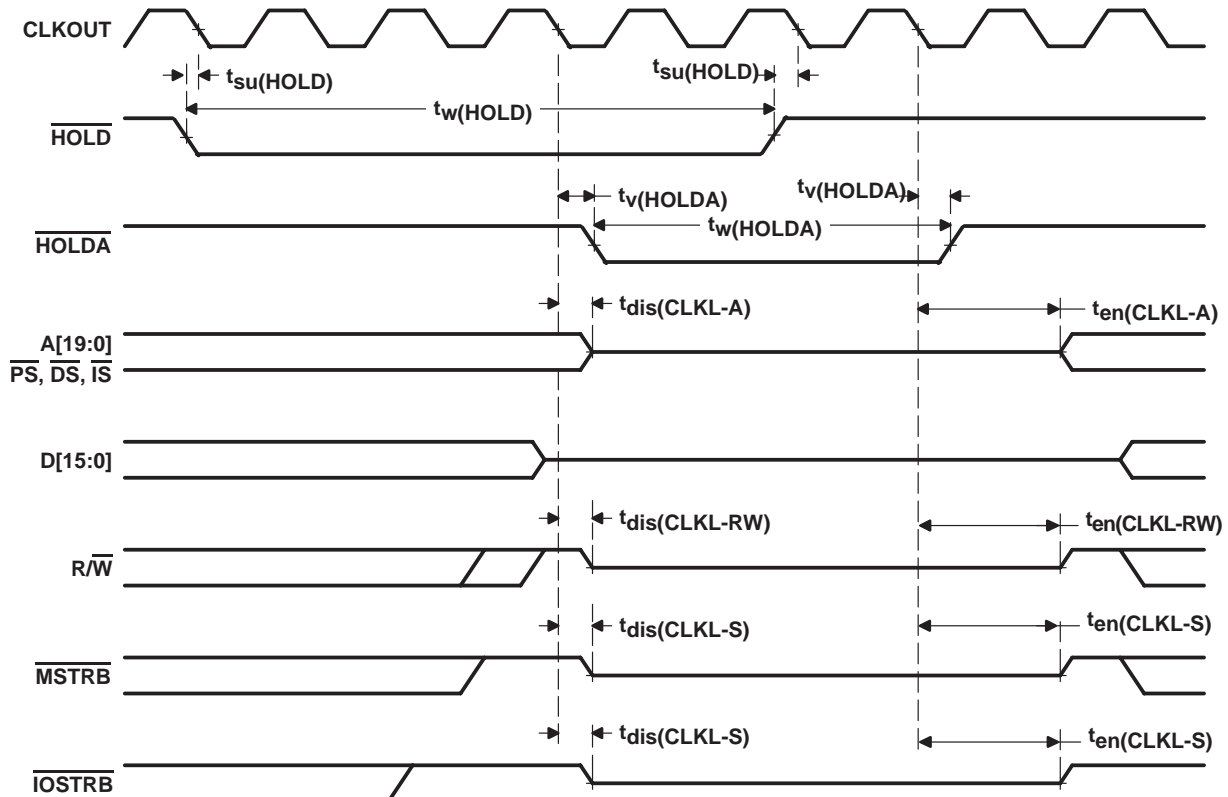


Figure 21.  $\overline{\text{HOLD}}$  and  $\overline{\text{HOLDA}}$  Timings (HM = 1)

**reset,  $\overline{\text{BIO}}$ , interrupt, and  $\overline{\text{MP/MC}}$  timings**

**timing requirements for reset,  $\overline{\text{BIO}}$ , interrupt, and  $\overline{\text{MP/MC}}$  [ $H = 0.5 t_{c(\text{CO})}$ ] (see Figure 22, Figure 23, and Figure 24)**

		MIN	MAX	UNIT
$t_{\text{h}}(\overline{\text{RS}})$	Hold time, $\overline{\text{RS}}$ after CLKOUT low	0		ns
$t_{\text{h}}(\overline{\text{BIO}})$	Hold time, $\overline{\text{BIO}}$ after CLKOUT low	0		ns
$t_{\text{h}}(\overline{\text{INT}})$	Hold time, $\overline{\text{INTn}}$ , $\overline{\text{NMI}}$ , after CLKOUT low <sup>†</sup>	0		ns
$t_{\text{h}}(\overline{\text{MP/MC}})$	Hold time, $\overline{\text{MP/MC}}$ after CLKOUT low	0		ns
$t_{\text{w}}(\overline{\text{RSL}})$	Pulse duration, $\overline{\text{RS}}$ low <sup>‡</sup>	4H+5		ns
$t_{\text{w}}(\overline{\text{BIO}})\text{S}$	Pulse duration, $\overline{\text{BIO}}$ low, synchronous	2H+2		ns
$t_{\text{w}}(\overline{\text{BIO}})\text{A}$	Pulse duration, $\overline{\text{BIO}}$ low, asynchronous	4H		ns
$t_{\text{w}}(\overline{\text{INT}})\text{S}$	Pulse duration, $\overline{\text{INTn}}$ , $\overline{\text{NMI}}$ high (synchronous)	2H		ns
$t_{\text{w}}(\overline{\text{INT}})\text{A}$	Pulse duration, $\overline{\text{INTn}}$ , $\overline{\text{NMI}}$ high (asynchronous)	4H		ns
$t_{\text{w}}(\overline{\text{INTL}})\text{S}$	Pulse duration, $\overline{\text{INTn}}$ , $\overline{\text{NMI}}$ low (synchronous)	2H+2		ns
$t_{\text{w}}(\overline{\text{INTL}})\text{A}$	Pulse duration, $\overline{\text{INTn}}$ , $\overline{\text{NMI}}$ low (asynchronous)	4H		ns
$t_{\text{w}}(\overline{\text{INTL}})\text{WKP}$	Pulse duration, $\overline{\text{INTn}}$ , $\overline{\text{NMI}}$ low for IDLE2/IDLE3 wakeup	10		ns
$t_{\text{su}}(\overline{\text{RS}})$	Setup time, $\overline{\text{RS}}$ before X2/CLKIN low <sup>¶</sup>	5		ns
$t_{\text{su}}(\overline{\text{BIO}})$	Setup time, $\overline{\text{BIO}}$ before CLKOUT low	7	10	ns
$t_{\text{su}}(\overline{\text{INT}})$	Setup time, $\overline{\text{INTn}}$ , $\overline{\text{NMI}}$ , $\overline{\text{RS}}$ before CLKOUT low	7	10	ns
$t_{\text{su}}(\overline{\text{MP/MC}})$	Setup time, $\overline{\text{MP/MC}}$ before CLKOUT low	5		ns

<sup>†</sup> The external interrupts ( $\overline{\text{INT0}}$ – $\overline{\text{INT3}}$ ,  $\overline{\text{NMI}}$ ) are synchronized to the core CPU by way of a two-flip-flop synchronizer which samples these inputs with consecutive falling edges of CLKOUT. The input to the interrupt pins is required to represent a 1-0-0 sequence at the timing that is corresponding to three CLKOUT sampling sequences.

<sup>‡</sup> If the PLL mode is selected, then at power-on sequence, or at wakeup from IDLE3,  $\overline{\text{RS}}$  must be held low for at least 50  $\mu\text{s}$  to ensure synchronization and lock-in of the PLL.

<sup>§</sup> Note that  $\overline{\text{RS}}$  may cause a change in clock frequency, therefore changing the value of H.

<sup>¶</sup> Divide-by-two mode

# TMS320VC5402 FIXED-POINT DIGITAL SIGNAL PROCESSOR

SPRS079G – OCTOBER 1998 – REVISED OCTOBER 2008

## reset, $\overline{\text{BIO}}$ , interrupt, and $\text{MP}/\overline{\text{MC}}$ timings (continued)

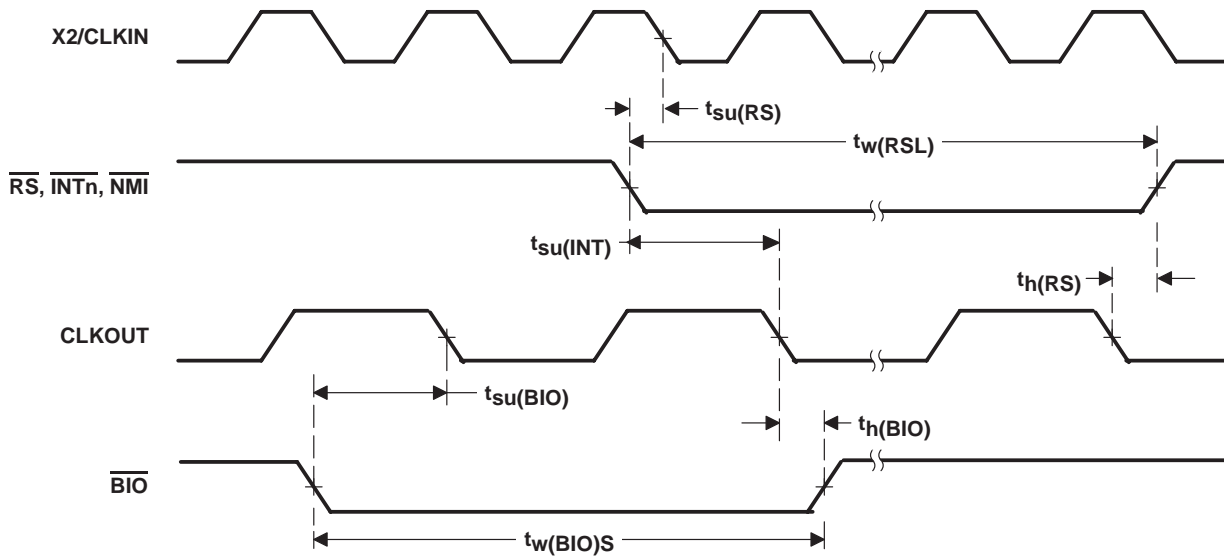


Figure 22. Reset and  $\overline{\text{BIO}}$  Timings

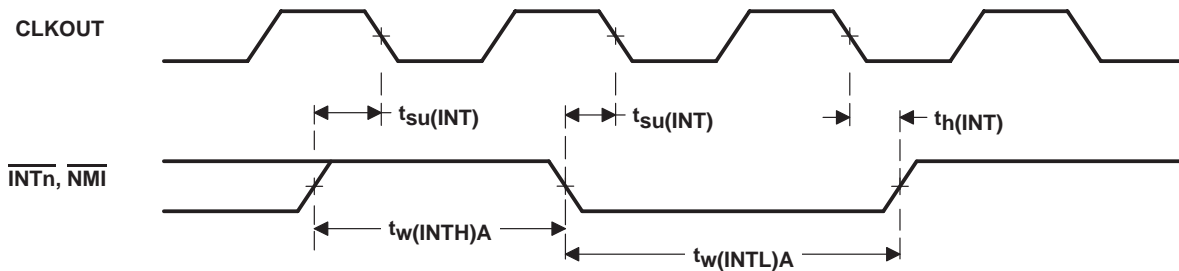


Figure 23. Interrupt Timing

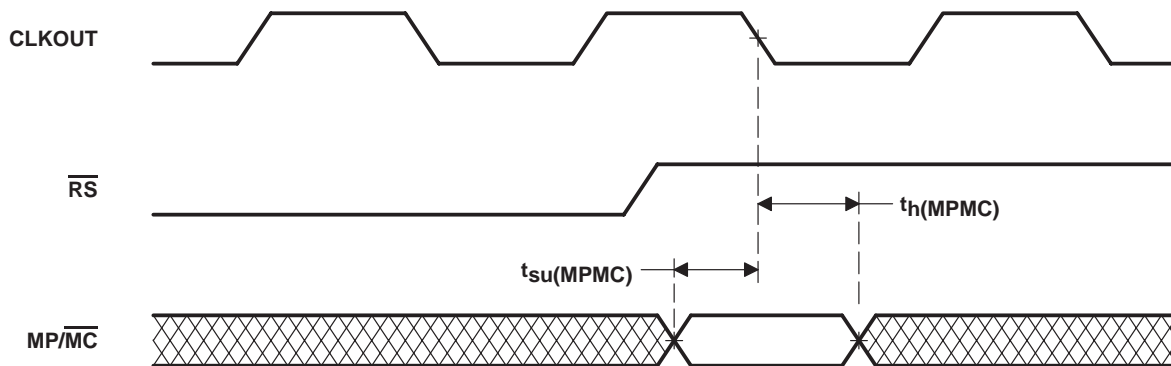


Figure 24.  $\text{MP}/\overline{\text{MC}}$  Timing

instruction acquisition ( $\overline{\text{IAQ}}$ ), interrupt acknowledge ( $\overline{\text{IACK}}$ ), external flag (XF), and TOUT timings

switching characteristics over recommended operating conditions for  $\overline{\text{IAQ}}$  and  $\overline{\text{IACK}}$  [ $H = 0.5 t_c(\text{CO})$ ] (see Figure 25)

PARAMETER		MIN	MAX	UNIT
$t_d(\text{CLKL-IAQL})$	Delay time, CLKOUT low to $\overline{\text{IAQ}}$ low	-1	3	ns
$t_d(\text{CLKL-IAQH})$	Delay time, CLKOUT low to $\overline{\text{IAQ}}$ high	-1	3	ns
$t_d(\text{A)IAQ}$	Delay time, address valid to $\overline{\text{IAQ}}$ low		1	ns
$t_d(\text{CLKL-IACKL})$	Delay time, CLKOUT low to $\overline{\text{IACK}}$ low	-1	3	ns
$t_d(\text{CLKL-IACKH})$	Delay time, CLKOUT low to $\overline{\text{IACK}}$ high	-1	3	ns
$t_d(\text{A)IACK}$	Delay time, address valid to $\overline{\text{IACK}}$ low		3	ns
$t_h(\text{A)IAQ}$	Hold time, $\overline{\text{IAQ}}$ high after address invalid	-2		ns
$t_h(\text{A)IACK}$	Hold time, $\overline{\text{IACK}}$ high after address invalid	-2		ns
$t_w(\text{IAQL})$	Pulse duration, $\overline{\text{IAQ}}$ low	2H-2		ns
$t_w(\text{IACKL})$	Pulse duration, $\overline{\text{IACK}}$ low	2H-2		ns

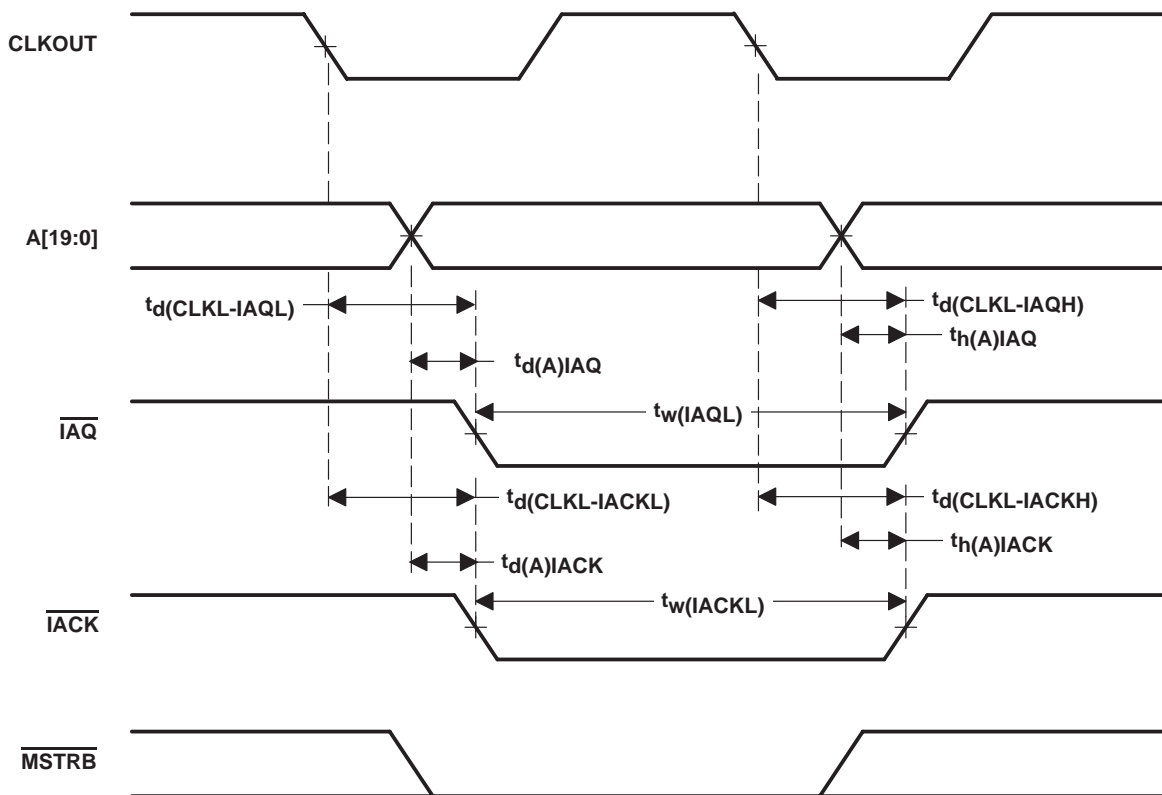


Figure 25.  $\overline{\text{IAQ}}$  and  $\overline{\text{IACK}}$  Timings

# TMS320VC5402 FIXED-POINT DIGITAL SIGNAL PROCESSOR

SPRS079G – OCTOBER 1998 – REVISED OCTOBER 2008

instruction acquisition ( $\overline{\text{IAQ}}$ ), interrupt acknowledge ( $\overline{\text{IACK}}$ ), external flag (XF), and TOUT timings (continued)

switching characteristics over recommended operating conditions for XF and TOUT [H = 0.5  $t_{c(\text{CO})}$ ] (see Figure 26 and Figure 27)

PARAMETER		MIN	MAX	UNIT
$t_d(\text{XF})$	Delay time, CLKOUT low to XF high	-1	3	ns
	Delay time, CLKOUT low to XF low	-1	3	
$t_d(\text{TOUTH})$	Delay time, CLKOUT low to TOUT high	0	4	ns
$t_d(\text{TOUTL})$	Delay time, CLKOUT low to TOUT low	0	4	ns
$t_w(\text{TOUT})$	Pulse duration, TOUT	2H		ns

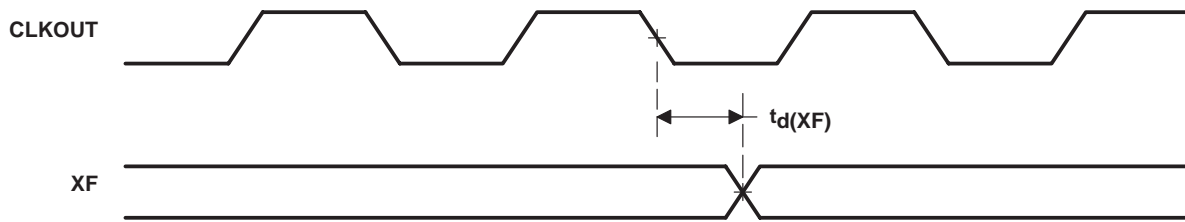


Figure 26. XF Timing

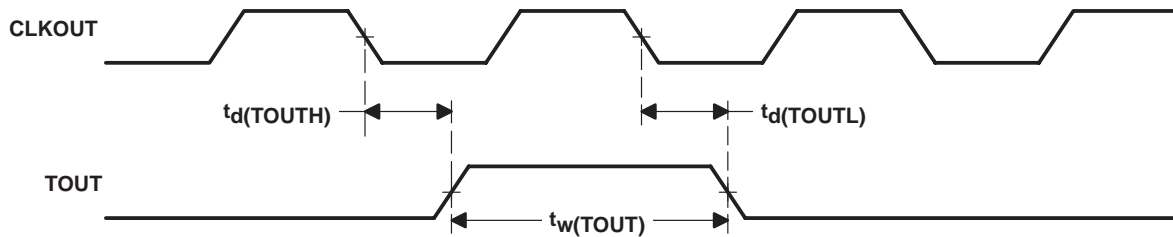


Figure 27. TOUT Timing

**multichannel buffered serial port timing**

**timing requirements for McBSP [H=0.5t<sub>c(CO)</sub>]<sup>†</sup>(see Figure 28 and Figure 29)**

			MIN	MAX	UNIT
t <sub>c</sub> (BCKRX)	Cycle time, BCLKR/X	BCLKR/X ext	4H		ns
t <sub>w</sub> (BCKRX)	Pulse duration, BCLKR/X high or BCLKR/X low	BCLKR/X ext	2H–2		ns
t <sub>su</sub> (BFRH-BCKRL)	Setup time, external BFSR high before BCLKR low	BCLKR int	8		ns
		BCLKR ext	1		
t <sub>h</sub> (BCKRL-BFRH)	Hold time, external BFSR high after BCLKR low	BCLKR int	0		ns
		BCLKR ext	3		
t <sub>su</sub> (BDRV-BCKRL)	Setup time, BDR valid before BCLKR low	BCLKR int	5		ns
		BCLKR ext	0		
t <sub>h</sub> (BCKRL-BDRV)	Hold time, BDR valid after BCLKR low	BCLKR int	0		ns
		BCLKR ext	4		
t <sub>su</sub> (BFXH-BCKXL)	Setup time, external BFSX high before BCLKX low	BCLKX int	7		ns
		BCLKX ext	0		
t <sub>h</sub> (BCKXL-BFXH)	Hold time, external BFSX high after BCLKX low	BCLKX int	0		ns
		BCLKX ext	3		
t <sub>r</sub> (BCKRX)	Rise time, BCKR/X	BCLKR/X ext		8	ns
t <sub>f</sub> (BCKRX)	Fall time, BCKR/X	BCLKR/X ext		8	ns

<sup>†</sup> CLKRP = CLKXP = FSRP = FSXP = 0. If the polarity of any of the signals is inverted, then the timing references of that signal are also inverted.

**switching characteristics for McBSP [H=0.5t<sub>c(CO)</sub>]<sup>†</sup> (see Figure 28 and Figure 29)**

PARAMETER			MIN	MAX	UNIT	
t <sub>c</sub> (BCKRX)	Cycle time, BCLKR/X	BCLKR/X int	4H		ns	
t <sub>w</sub> (BCKRXH)	Pulse duration, BCLKR/X high	BCLKR/X int	D – 2 <sup>‡</sup>	D + 2 <sup>‡</sup>	ns	
t <sub>w</sub> (BCKRXL)	Pulse duration, BCLKR/X low	BCLKR/X int	C – 2 <sup>‡</sup>	C + 2 <sup>‡</sup>	ns	
t <sub>d</sub> (BCKRH-BFRV)	Delay time, BCLKR high to internal BFSR valid	BCLKR int	–2	2	ns	
		BCLKR ext	3	9	ns	
t <sub>d</sub> (BCKXH-BFXV)	Delay time, BCLKX high to internal BFSX valid	BCLKX int	0	4	ns	
		BCLKX ext	8	11		
t <sub>dis</sub> (BCKXH-BDXHZ)	Disable time, BCLKX high to BDX high impedance following last data bit of transfer	BCLKX int	–1	4	ns	
		BCLKX ext	3	9		
t <sub>d</sub> (BCKXH-BDXV)	Delay time, BCLKX high to BDX valid	DXENA = 0 <sup>§</sup>	BCLKX int	0 <sup>¶</sup>	7	ns
			BCLKX ext	3	11	
t <sub>d</sub> (BFXH-BDXV)	Delay time, BFSX high to BDX valid	ONLY applies when in data delay 0 (XDATDLY = 00b) mode	BFSX int	–1 <sup>¶</sup>	3	ns
			BFSX ext	3	13	

<sup>†</sup> CLKRP = CLKXP = FSRP = FSXP = 0. If the polarity of any of the signals is inverted, then the timing references of that signal are also inverted.

<sup>‡</sup> T = BCLKRX period = (1 + CLKGDV) \* 2H

C = BCLKRX low pulse width = T/2 when CLKGDV is odd or zero and = (CLKGDV/2) \* 2H when CLKGDV is even

D = BCLKRX high pulse width = T/2 when CLKGDV is odd or zero and = (CLKGDV/2 + 1) \* 2H when CLKGDV is even

<sup>§</sup> The transmit delay enable (DXENA) and A-bis mode (ABIS) features of the McBSP are not implemented on the TMS320VC5402.

<sup>¶</sup> Minimum delay times also represent minimum output hold times.



# TMS320VC5402 FIXED-POINT DIGITAL SIGNAL PROCESSOR

SPRS079G – OCTOBER 1998 – REVISED OCTOBER 2008

## multichannel buffered serial port timing (continued)

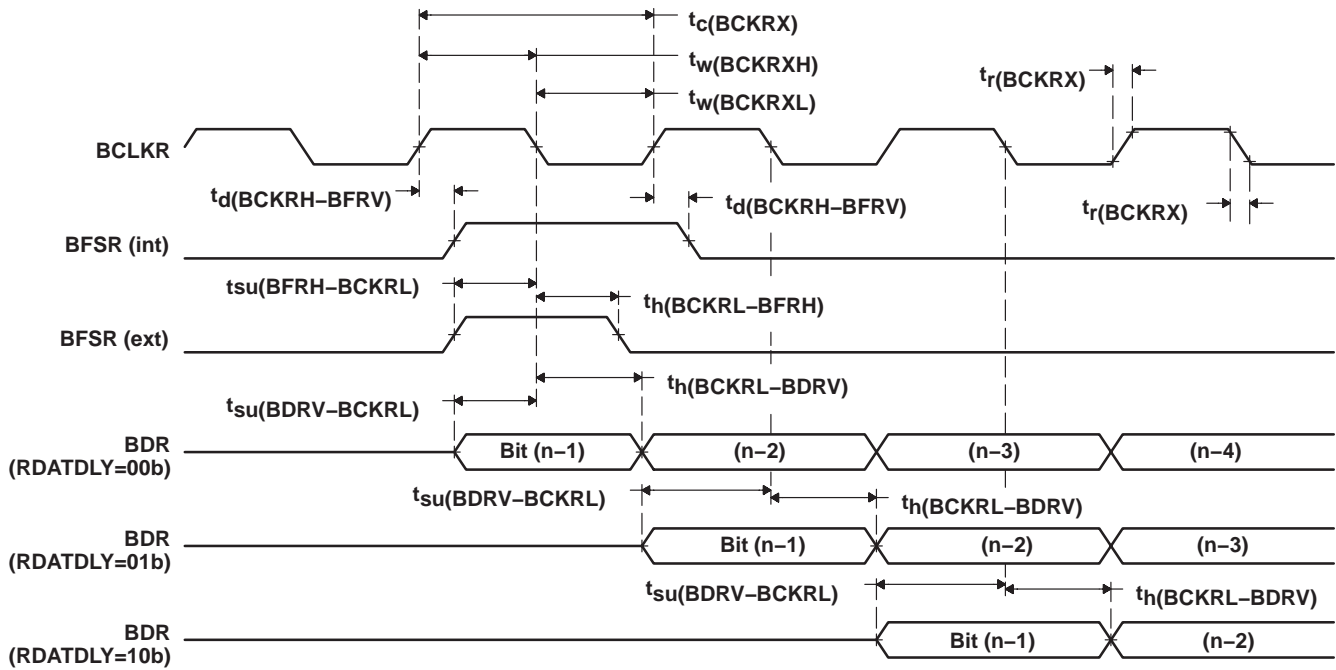


Figure 28. McBSP Receive Timings

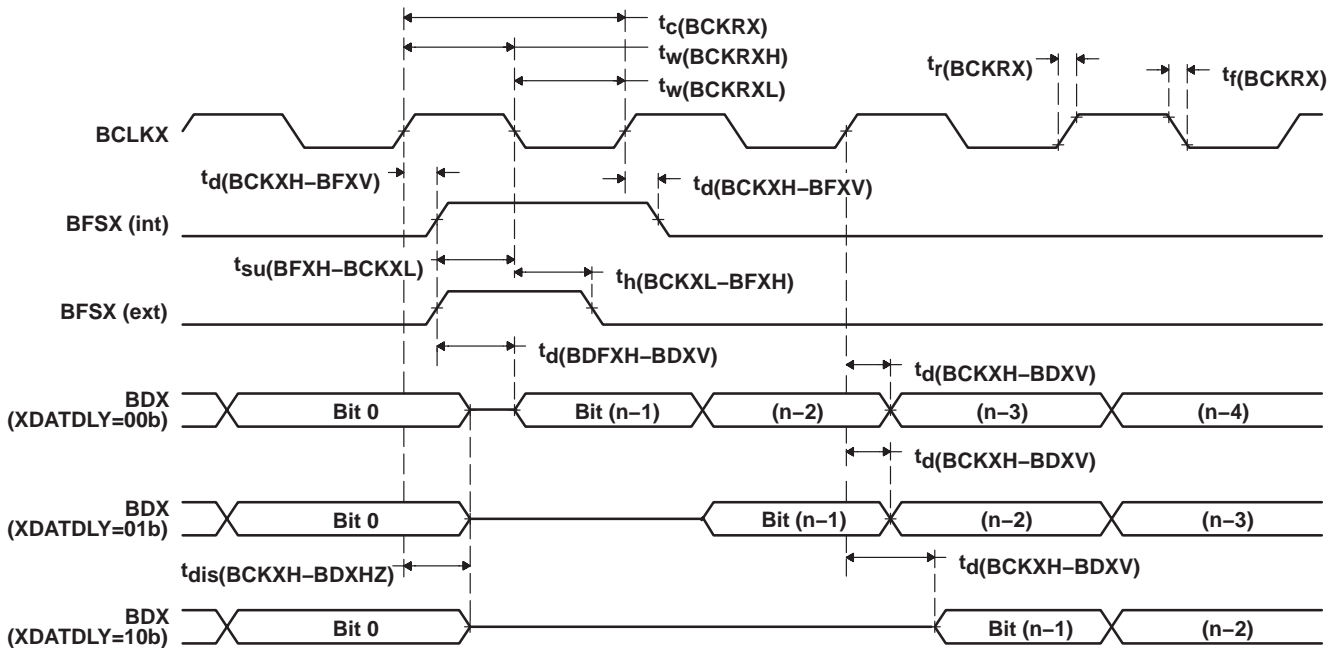


Figure 29. McBSP Transmit Timings



multichannel buffered serial port timing (continued)

timing requirements for McBSP general-purpose I/O (see Figure 30)

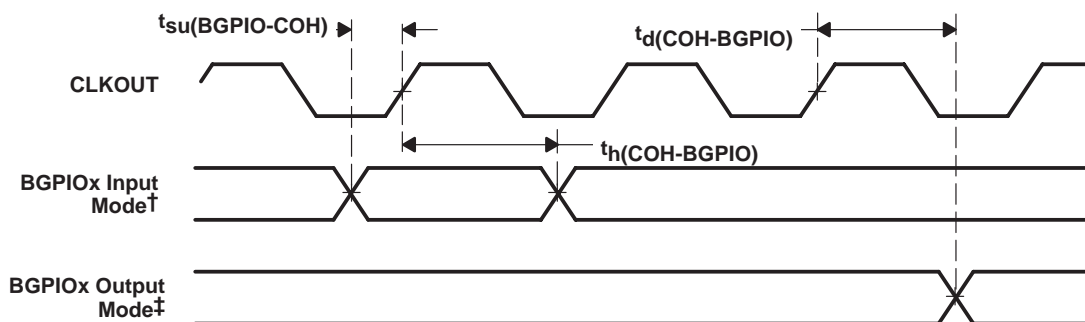
	MIN	MAX	UNIT
$t_{su}(BGPIO-COH)$ Setup time, BGPIOx input mode before CLKOUT high <sup>†</sup>	9		ns
$t_h(COH-BGPIO)$ Hold time, BGPIOx input mode after CLKOUT high <sup>†</sup>	0		ns

<sup>†</sup> BGPIOx refers to BCLKRx, BFSRx, BDRx, BCLKXx, or BFSXx when configured as a general-purpose input.

switching characteristics for McBSP general-purpose I/O (see Figure 30)

PARAMETER	MIN	MAX	UNIT
$t_d(COH-BGPIO)$ Delay time, CLKOUT high to BGPIOx output mode <sup>‡</sup>	0	5	ns

<sup>‡</sup> BGPIOx refers to BCLKRx, BFSRx, BCLKXx, BFSXx, or BDx when configured as a general-purpose output.



<sup>†</sup> BGPIOx refers to BCLKRx, BFSRx, BDRx, BCLKXx, or BFSXx when configured as a general-purpose input.

<sup>‡</sup> BGPIOx refers to BCLKRx, BFSRx, BCLKXx, BFSXx, or BDx when configured as a general-purpose output.

Figure 30. McBSP General-Purpose I/O Timings

# TMS320VC5402 FIXED-POINT DIGITAL SIGNAL PROCESSOR

SPRS079G – OCTOBER 1998 – REVISED OCTOBER 2008

## multichannel buffered serial port timing (continued)

timing requirements for McBSP as SPI master or slave:  $[H=0.5t_{c(CO)}]$  CLKSTP = 10b, CLKXP = 0† (see Figure 31)

		MASTER		SLAVE		UNIT
		MIN	MAX	MIN	MAX	
$t_{su}(BDRV-BCKXL)$	Setup time, BDR valid before BCLKX low	9		- 12H		ns
$t_h(BCKXL-BDRV)$	Hold time, BDR valid after BCLKX low	0		5 + 12H		ns
$t_{su}(BFXL-BCKXH)$	Setup time, BFSX low before BCLKX high			10		ns
$t_c(BCKX)$	Cycle time, BCLKX	12H		32H		ns

† For all SPI slave modes, CLKG is programmed as 1/2 of the CPU clock by setting CLKSM = CLKGDV = 1.

switching characteristics for McBSP as SPI master or slave:  $[H=0.5t_{c(CO)}]$  CLKSTP = 10b, CLKXP = 0† (see Figure 31)

PARAMETER	MASTER†		SLAVE		UNIT	
	MIN	MAX	MIN	MAX		
$t_h(BCKXL-BFXL)$	Hold time, BFSX low after BCLKX low§	T - 3	T + 4		ns	
$t_d(BFXL-BCKXH)$	Delay time, BFSX low to BCLKX high¶	C - 5	C + 3		ns	
$t_d(BCKXH-BDXV)$	Delay time, BCLKX high to BDX valid	-2	6	6H + 5	10H + 15	ns
$t_{dis}(BCKXL-BDXHZ)$	Disable time, BDX high impedance following last data bit from BCLKX low	C - 2	C + 3			ns
$t_{dis}(BFXH-BDXHZ)$	Disable time, BDX high impedance following last data bit from BFSX high			2H + 4	6H + 17	ns
$t_d(BFXL-BDXV)$	Delay time, BFSX low to BDX valid			4H - 2	8H + 17	ns

† For all SPI slave modes, CLKG is programmed as 1/2 of the CPU clock by setting CLKSM = CLKGDV = 1.

‡ T = BCLKX period = (1 + CLKGDV) \* 2H

C = BCLKX low pulse width = T/2 when CLKGDV is odd or zero and = (CLKGDV/2) \* 2H when CLKGDV is even

§ FSRP = FSXP = 1. As a SPI master, BFSX is inverted to provide active-low slave-enable output. As a slave, the active-low signal input on BFSX and BFSR is inverted before being used internally.

CLKXM = FSXM = 1, CLKRM = FSRM = 0 for master McBSP

CLKXM = CLKRM = FSXM = FSRM = 0 for slave McBSP

¶ BFSX should be low before the rising edge of clock to enable slave devices and then begin a SPI transfer at the rising edge of the master clock (BCLKX).

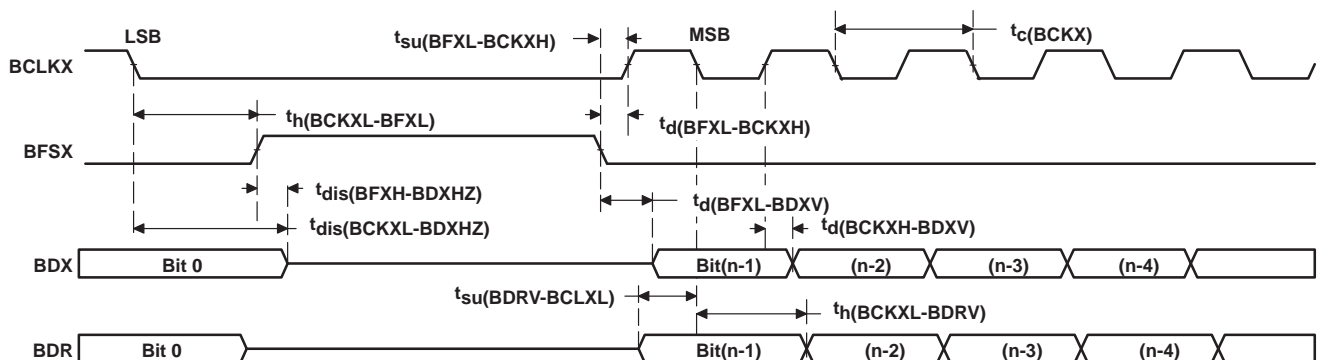


Figure 31. McBSP Timing as SPI Master or Slave: CLKSTP = 10b, CLKXP = 0



multichannel buffered serial port timing (continued)

timing requirements for McBSP as SPI master or slave:  $[H=0.5t_{c(CO)}]$  CLKSTP = 11b, CLKXP = 0† (see Figure 32)

		MASTER		SLAVE		UNIT
		MIN	MAX	MIN	MAX	
$t_{su}(BDRV-BCKXH)$	Setup time, BDR valid before BCLKX high	12		2 – 12H		ns
$t_h(BCKXH-BDRV)$	Hold time, BDR valid after BCLKX high	4		5 + 12H		ns
$t_{su}(BFXL-BCKXH)$	Setup time, BFSX low before BCLKX high			10		ns
$t_c(BCKX)$	Cycle time, BCLKX	12H		32H		ns

† For all SPI slave modes, CLKG is programmed as 1/2 of the CPU clock by setting CLKSM = CLKGDV = 1.

switching characteristics for McBSP as SPI master or slave:  $[H=0.5t_{c(CO)}]$  CLKSTP = 11b, CLKXP = 0† (see Figure 32)

PARAMETER		MASTER†		SLAVE		UNIT
		MIN	MAX	MIN	MAX	
$t_h(BCKXL-BFXL)$	Hold time, BFSX low after BCLKX low§	C – 3	C + 4			ns
$t_d(BFXL-BCKXH)$	Delay time, BFSX low to BCLKX high¶	T – 5	T + 3			ns
$t_d(BCKXL-BDXV)$	Delay time, BCLKX low to BDX valid	–2	6	6H + 5	10H + 15	ns
$t_{dis}(BCKXL-BDXHZ)$	Disable time, BDX high impedance following last data bit from BCLKX low	–2	4	6H + 3	10H + 17	ns
$t_d(BFXL-BDXV)$	Delay time, BFSX low to BDX valid	D – 2	D + 4	4H – 2	8H + 17	ns

† For all SPI slave modes, CLKG is programmed as 1/2 of the CPU clock by setting CLKSM = CLKGDV = 1.

‡ T = BCLKX period = (1 + CLKGDV) \* 2H

C = BCLKX low pulse width = T/2 when CLKGDV is odd or zero and = (CLKGDV/2) \* 2H when CLKGDV is even

D = BCLKX high pulse width = T/2 when CLKGDV is odd or zero and = (CLKGDV/2 + 1) \* 2H when CLKGDV is even

§ FSRP = FSXP = 1. As a SPI master, BFSX is inverted to provide active-low slave-enable output. As a slave, the active-low signal input on BFSX and BFSR is inverted before being used internally.

CLKXM = FSXM = 1, CLKRM = FSRM = 0 for master McBSP

CLKXM = CLKRM = FSXM = FSRM = 0 for slave McBSP

¶ BFSX should be low before the rising edge of clock to enable slave devices and then begin a SPI transfer at the rising edge of the master clock (BCLKX).

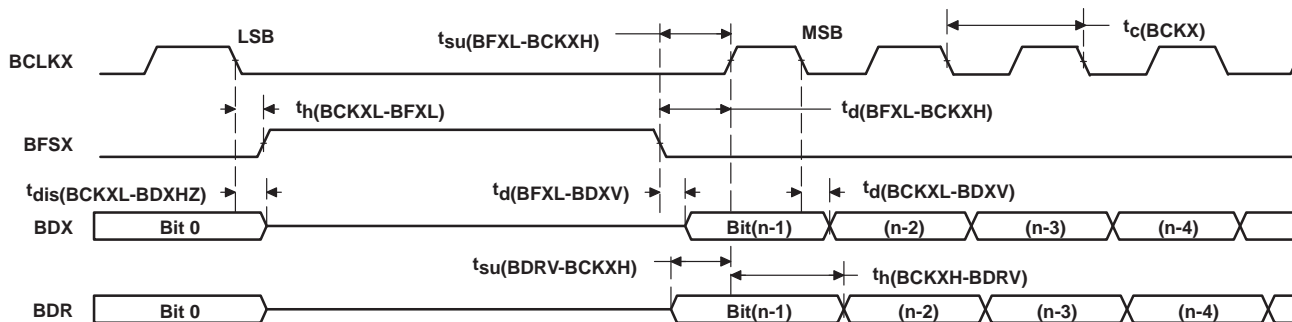


Figure 32. McBSP Timing as SPI Master or Slave: CLKSTP = 11b, CLKXP = 0

# TMS320VC5402 FIXED-POINT DIGITAL SIGNAL PROCESSOR

SPRS079G – OCTOBER 1998 – REVISED OCTOBER 2008

## multichannel buffered serial port timing (continued)

timing requirements for McBSP as SPI master or slave:  $[H=0.5t_{c(CO)}]$  CLKSTP = 10b, CLKXP = 1† (see Figure 33)

	MASTER		SLAVE		UNIT
	MIN	MAX	MIN	MAX	
$t_{su}(BDRV-BCKXH)$ Setup time, BDR valid before BCLKX high	12		2 – 12H		ns
$t_h(BCKXH-BDRV)$ Hold time, BDR valid after BCLKX high	4		5 + 12H		ns
$t_{su}(BFXL-BCKXL)$ Setup time, BFSX low before BCLKX low			10		ns
$t_c(BCKX)$ Cycle time, BCLKX	12H		32H		ns

† For all SPI slave modes, CLKG is programmed as 1/2 of the CPU clock by setting CLKSM = CLKGDV = 1.

switching characteristics for McBSP as SPI master or slave:  $[H=0.5t_{c(CO)}]$  CLKSTP = 10b, CLKXP = 1†‡ (see Figure 33)

PARAMETER	MASTER		SLAVE		UNIT
	MIN	MAX	MIN	MAX	
$t_h(BCKXH-BFXL)$ Hold time, BFSX low after BCLKX high§	T – 3	T + 4			ns
$t_d(BFXL-BCKXL)$ Delay time, BFSX low to BCLKX low¶	D – 5	D + 3			ns
$t_d(BCKXL-BDXV)$ Delay time, BCLKX low to BDX valid	–2	6	6H + 5	10H + 15	ns
$t_{dis}(BCKXH-BDXHZ)$ Disable time, BDX high impedance following last data bit from BCLKX high	D – 2	D + 3			ns
$t_{dis}(BFXH-BDXHZ)$ Disable time, BDX high impedance following last data bit from BFSX high			2H + 3	6H + 17	ns
$t_d(BFXL-BDXV)$ Delay time, BFSX low to BDX valid			4H – 2	8H + 17	ns

† For all SPI slave modes, CLKG is programmed as 1/2 of the CPU clock by setting CLKSM = CLKGDV = 1.

‡ T = BCLKX period = (1 + CLKGDV) \* 2H

D = BCLKX high pulse width = T/2 when CLKGDV is odd or zero and = (CLKGDV/2 + 1) \* 2H when CLKGDV is even

§ FSRP = FSXP = 1. As a SPI master, BFSX is inverted to provide active-low slave-enable output. As a slave, the active-low signal input on BFSX and BFSR is inverted before being used internally.

CLKXM = FSXM = 1, CLKRM = FSRM = 0 for master McBSP

CLKXM = CLKRM = FSXM = FSRM = 0 for slave McBSP

¶ BFSX should be low before the rising edge of clock to enable slave devices and then begin a SPI transfer at the rising edge of the master clock (BCLKX).

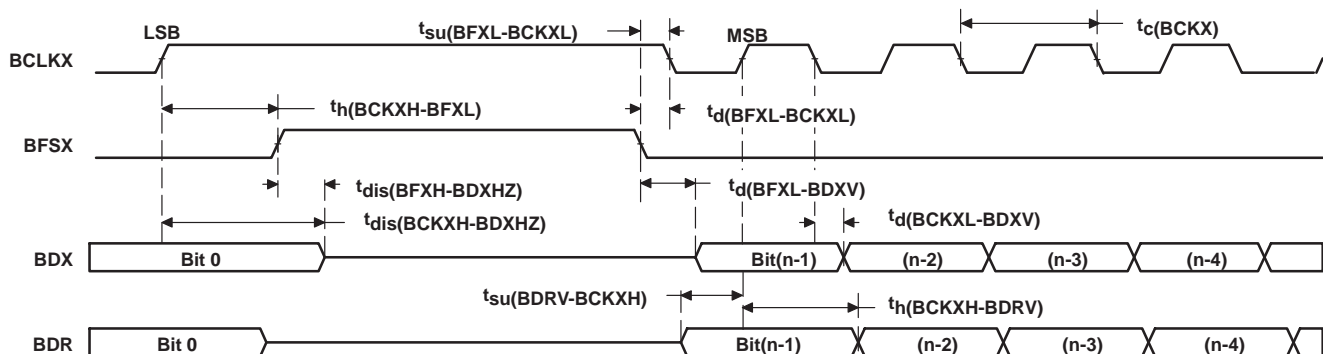


Figure 33. McBSP Timing as SPI Master or Slave: CLKSTP = 10b, CLKXP = 1



multichannel buffered serial port timing (continued)

timing requirements for McBSP as SPI master or slave:  $[H=0.5t_{c(CO)}]$  CLKSTP = 11b, CLKXP = 1† (see Figure 34)

		MASTER		SLAVE		UNIT
		MIN	MAX	MIN	MAX	
$t_{su}(BDRV-BCKXL)$	Setup time, BDR valid before BCLKX low	9		- 12H		ns
$t_h(BCKXL-BDRV)$	Hold time, BDR valid after BCLKX low	0		5 + 12H		ns
$t_{su}(BFXL-BCKXL)$	Setup time, BFSX low before BCLKX low			10		ns
$t_c(BCKX)$	Cycle time, BCLKX	12H		32H		ns

† For all SPI slave modes, CLKG is programmed as 1/2 of the CPU clock by setting CLKSM = CLKGDV = 1.

switching characteristics for McBSP as SPI master or slave:  $[H=0.5t_{c(CO)}]$  CLKSTP = 11b, CLKXP = 1†† (see Figure 34)

PARAMETER		MASTER†		SLAVE		UNIT
		MIN	MAX	MIN	MAX	
$t_h(BCKXH-BFXL)$	Hold time, BFSX low after BCLKX high§	D - 3	D + 4			ns
$t_d(BFXL-BCKXL)$	Delay time, BFSX low to BCLKX low¶	T - 5	T + 3			ns
$t_d(BCKXH-BDXV)$	Delay time, BCLKX high to BDX valid	-2	6	6H + 5	10H + 15	ns
$t_{dis}(BCKXH-BDXHZ)$	Disable time, BDX high impedance following last data bit from BCLKX high	-2	4	6H + 3	10H + 17	ns
$t_d(BFXL-BDXV)$	Delay time, BFSX low to BDX valid	C - 2	C + 4	4H - 2	8H + 17	ns

† For all SPI slave modes, CLKG is programmed as 1/2 of the CPU clock by setting CLKSM = CLKGDV = 1.

†† T = BCLKX period = (1 + CLKGDV) \* 2H

C = BCLKX low pulse width = T/2 when CLKGDV is odd or zero and = (CLKGDV/2) \* 2H when CLKGDV is even

D = BCLKX high pulse width = T/2 when CLKGDV is odd or zero and = (CLKGDV/2 + 1) \* 2H when CLKGDV is even

§ FSRP = FSXP = 1. As a SPI master, BFSX is inverted to provide active-low slave-enable output. As a slave, the active-low signal input on BFSX and BFSR is inverted before being used internally.

CLKXM = FSXM = 1, CLKRM = FSRM = 0 for master McBSP

CLKXM = CLKRM = FSXM = FSRM = 0 for slave McBSP

¶ BFSX should be low before the rising edge of clock to enable slave devices and then begin a SPI transfer at the rising edge of the master clock (BCLKX).

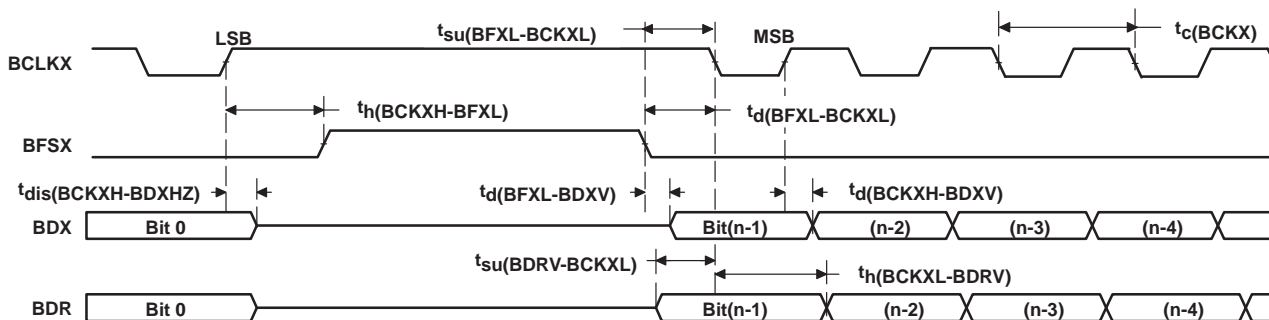


Figure 34. McBSP Timing as SPI Master or Slave: CLKSTP = 11b, CLKXP = 1

# TMS320VC5402 FIXED-POINT DIGITAL SIGNAL PROCESSOR

SPRS079G – OCTOBER 1998 – REVISED OCTOBER 2008

## HPI8 timing

switching characteristics over recommended operating conditions†‡§¶ [H = 0.5t<sub>c(CO)</sub>]  
(see Figure 35, Figure 36, Figure 37, and Figure 38)

PARAMETER		MIN	MAX	UNIT
t <sub>en</sub> (DSL-HD)	Enable time, HD driven from DS low	2	16	ns
t <sub>d</sub> (DSL-HDV1)	Delay time, DS low to HDx valid for first byte of an HPI read	Case 1a: Memory accesses when DMAC is active in 16-bit mode and t <sub>w</sub> (DSH) < 18H	18H+16 – t <sub>w</sub> (DSH)	ns
		Case 1b: Memory accesses when DMAC is active in 16-bit mode and t <sub>w</sub> (DSH) ≥ 18H	16	
		Case 1c: Memory access when DMAC is active in 32-bit mode and t <sub>w</sub> (DSH) < 26H	26H+16 – t <sub>w</sub> (DSH)	
		Case 1d: Memory access when DMAC is active in 32-bit mode and t <sub>w</sub> (DSH) ≥ 26H	16	
		Case 2a: Memory accesses when DMAC is inactive and t <sub>w</sub> (DSH) < 10H	10H+16 – t <sub>w</sub> (DSH)	
		Case 2b: Memory accesses when DMAC is inactive and t <sub>w</sub> (DSH) ≥ 10H	16	
		Case 3: Register accesses	16	
t <sub>d</sub> (DSL-HDV2)	Delay time, DS low to HDx valid for second byte of an HPI read		16	ns
t <sub>h</sub> (DSH-HDV)R	Hold time, HDx valid after DS high, for a HPI read	3	5	ns
t <sub>v</sub> (HYH-HDV)	Valid time, HDx valid after HRDY high		9	
t <sub>d</sub> (DSH-HYL)	Delay time, DS high to HRDY low (see Note 1)		16	ns
t <sub>d</sub> (DSH-HYH)	Delay time, DS high to HRDY high	Case 1a: Memory accesses when DMAC is active in 16-bit mode	18H+16	ns
		Case 1b: Memory accesses when DMAC is active in 32-bit mode	26H+16	ns
		Case 2: Memory accesses when DMAC is inactive	10H+16	ns
		Case 3: Write accesses to HPIC register (see Note 2)	6H+16	
t <sub>d</sub> (HCS-HRDY)	Delay time, HCS low/high to HRDY low/high		16	ns
t <sub>d</sub> (COH-HYH)	Delay time, CLKOUT high to HRDY high		3	ns
t <sub>d</sub> (COH-HTX)	Delay time, CLKOUT high to HINT change		5	ns
t <sub>d</sub> (COH-GPIO)	Delay time, CLKOUT high to HDx output change. HDx is configured as a general-purpose output.		6	ns

NOTES: 1. The HRDY output is always high when the HCS input is high, regardless of DS timings.  
2. This timing applies when writing a one to the DSPINT bit or HINT bit of the HPIC register. All other writes to the HPIC occur asynchronously, and do not cause HRDY to be deasserted.

† DS refers to the logical OR of HCS, HDS1, and HDS2.

‡ HDx refers to any of the HPI data bus pins (HD0, HD1, HD2, etc.).

§ DMAC stands for direct memory access (DMA) controller. The HPI8 shares the internal DMA bus with the DMAC, thus HPI8 access times are affected by DMAC activity.

¶ GPIO refers to the HD pins when they are configured as general-purpose input/outputs.



**HPI8 timing (continued)**

**timing requirements†‡§ (see Figure 35, Figure 36, Figure 37, and Figure 38)**

		MIN	MAX	UNIT
$t_{su}(HBV-DSL)$	Setup time, HBIL and $\overline{HAD}$ valid before DS low or before $\overline{HAS}$ low¶#	5		ns
$t_h(DSL-HBV)$	Hold time, HBIL and $\overline{HAD}$ valid after DS low or after $\overline{HAS}$ low¶#	5		ns
$t_{su}(HSL-DSL)$	Setup time, $\overline{HAS}$ low before DS low	10		ns
$t_w(DSL)$	Pulse duration, DS low	20		ns
$t_w(DSH)$	Pulse duration, DS high	10		ns
$t_{su}(HDV-DSH)$	Setup time, HDx valid before DS high, HPI write	2		ns
$t_h(DSH-HDV)W$	Hold time, HDx valid after DS high, HPI write	3		ns
$t_{su}(GPIO-COH)$	Setup time, HDx input valid before CLKOUT high, HDx configured as general-purpose input	6		ns
$t_h(GPIO-COH)$	Hold time, HDx input valid after CLKOUT high, HDx configured as general-purpose input	0		ns

† DS refers to the logical OR of  $\overline{HCS}$ ,  $\overline{HDS1}$ , and  $\overline{HDS2}$ .

‡ HDx refers to any of the HPI data bus pins (HD0, HD1, HD2, etc.).

§ GPIO refers to the HD pins when they are configured as general-purpose input/outputs.

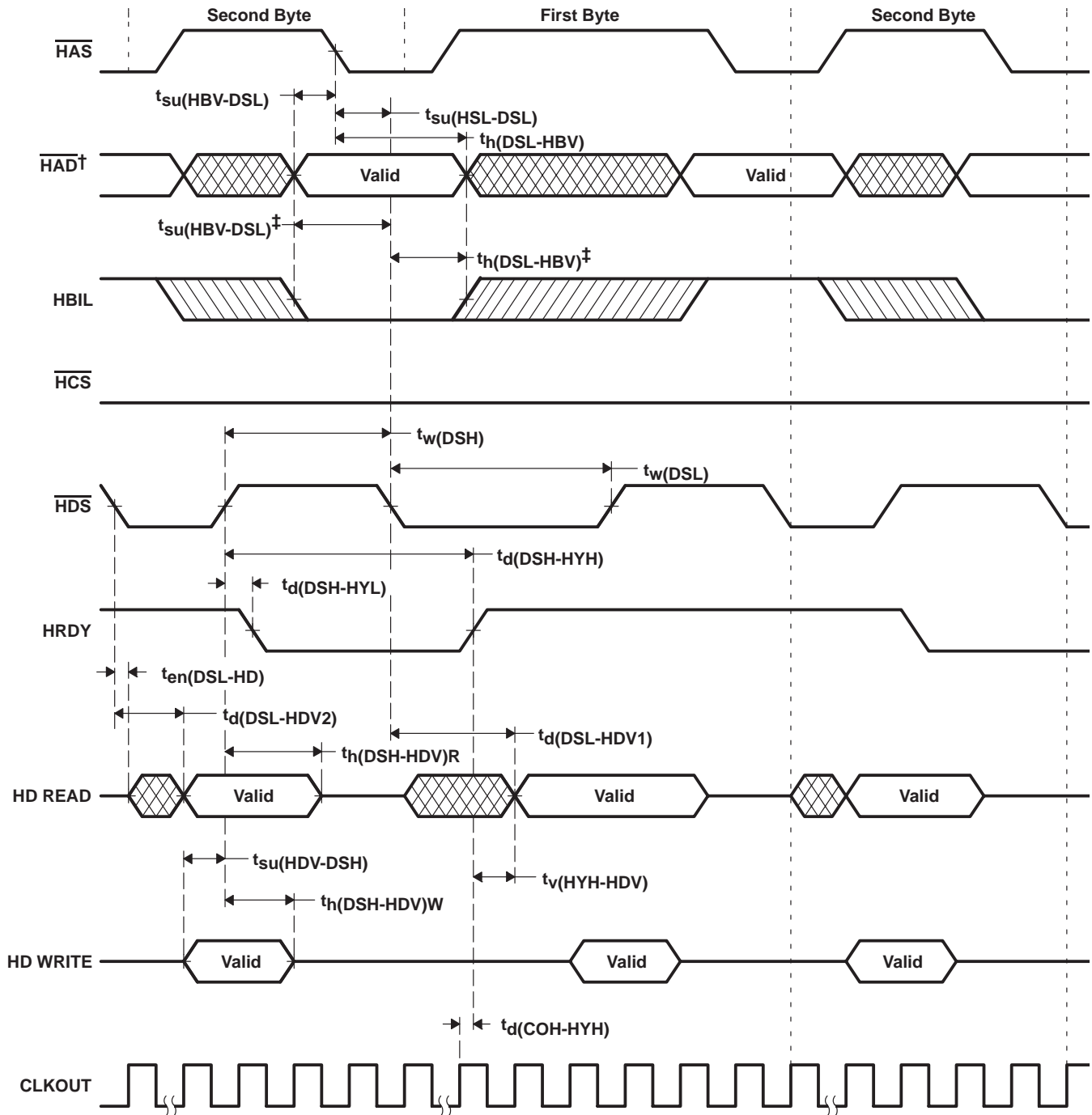
¶  $\overline{HAD}$  refers to  $\overline{HCNTL0}$ ,  $\overline{HCNTL1}$ , and  $\overline{H/RW}$ .

# When the  $\overline{HAS}$  signal is used to latch the control signals, this timing refers to the falling edge of the  $\overline{HAS}$  signal. Otherwise, when  $\overline{HAS}$  is not used (always high), this timing refers to the falling edge of DS.

# TMS320VC5402 FIXED-POINT DIGITAL SIGNAL PROCESSOR

SPRS079G – OCTOBER 1998 – REVISED OCTOBER 2008

## HPI8 timing (continued)



† HAD refers to HCNTL0, HCNTL1, and HR/W.

‡ When HAS is not used (HAS always high)

Figure 35. Using HDS to Control Accesses (HCS Always Low)



HPI8 timing (continued)

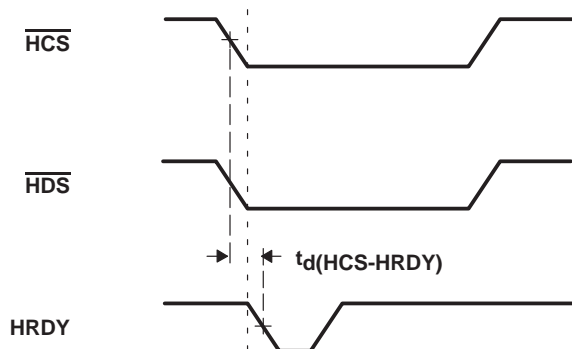


Figure 36. Using  $\overline{\text{HCS}}$  to Control Accesses

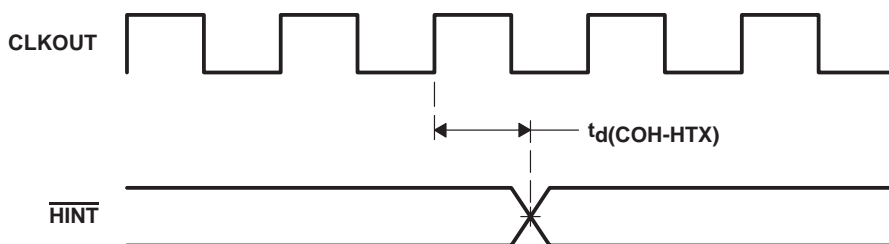
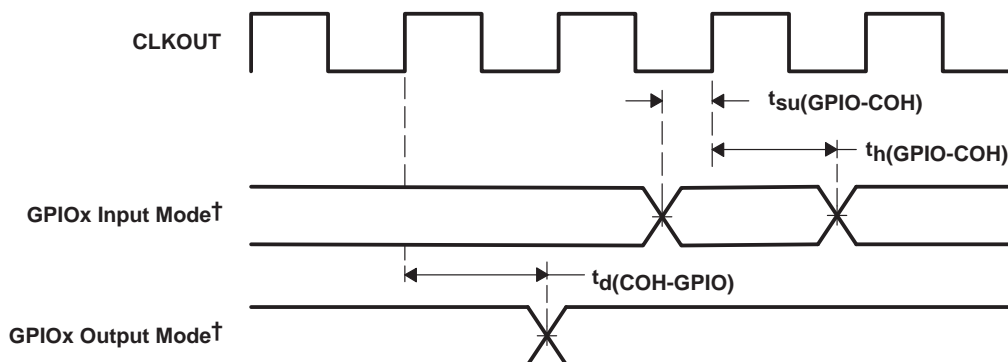


Figure 37.  $\overline{\text{HINT}}$  Timing



† GPIOx refers to HD0, HD1, HD2, ...HD7, when the HD bus is configured for general-purpose input/output (I/O).

Figure 38. GPIOx† Timings

# TMS320VC5402 FIXED-POINT DIGITAL SIGNAL PROCESSOR

SPRS079G – OCTOBER 1998 – REVISED OCTOBER 2008

---

## mechanical data

The following packaging information reflects the most current released data available for the designated device(s). This data is subject to change without notice and without revision of this document.

## package thermal resistance characteristics

Table 1 provides the estimated thermal resistance characteristics for the recommended package types used on the device.

**Table 1. Thermal Resistance Characteristics**

PARAMETER	PGE PACKAGE	GGU PACKAGE	UNIT
$R_{\theta JA}$	56	38	$^{\circ}C/W$
$R_{\theta JC}$	5	5	$^{\circ}C/W$

**PACKAGING INFORMATION**

Orderable Device	Status (1)	Package Type	Package Drawing	Pins	Package Qty	Eco Plan (2)	Lead/Ball Finish (6)	MSL Peak Temp (3)	Op Temp (°C)	Device Marking (4/5)	Samples
DSG5402PGE100	ACTIVE	LQFP	PGE	144	60	Green (RoHS & no Sb/Br)	CU NIPDAU	Level-2-260C-1 YEAR	-40 to 100	G4 PGE100 TMS320VC5402	<a href="#">Samples</a>
TMS320VC5402GGU100	ACTIVE	BGA MICROSTAR	GGU	144	160	TBD	SNPB	Level-3-220C-168 HR	-40 to 100	DVC5402GGU 100	<a href="#">Samples</a>
TMS320VC5402PGE100	ACTIVE	LQFP	PGE	144	60	Green (RoHS & no Sb/Br)	CU NIPDAU	Level-2-260C-1 YEAR	-40 to 100	G4 PGE100 TMS320VC5402	<a href="#">Samples</a>
TMS320VC5402PGER10	ACTIVE	LQFP	PGE	144	500	Green (RoHS & no Sb/Br)	CU NIPDAU	Level-1-260C-UNLIM	-40 to 100	PGE100 TMS320VC5402	<a href="#">Samples</a>
TMS320VC5402ZGU100	ACTIVE	BGA MICROSTAR	ZGU	144	160	Green (RoHS & no Sb/Br)	SNAGCU	Level-3-260C-168 HR	-40 to 100	DVC5402ZGU 100	<a href="#">Samples</a>
TMS320VC5402ZGUR10	ACTIVE	BGA MICROSTAR	ZGU	144	1000	Green (RoHS & no Sb/Br)	SNAGCU	Level-3-260C-168 HR	-40 to 100	DVC5402ZGU 100	<a href="#">Samples</a>
TMSDVC5402PGE100G4	ACTIVE	LQFP	PGE	144	60	Green (RoHS & no Sb/Br)	CU NIPDAU	Level-2-260C-1 YEAR	-40 to 100	G4 PGE100 TMS320VC5402	<a href="#">Samples</a>

(1) The marketing status values are defined as follows:

**ACTIVE:** Product device recommended for new designs.

**LIFEBUY:** TI has announced that the device will be discontinued, and a lifetime-buy period is in effect.

**NRND:** Not recommended for new designs. Device is in production to support existing customers, but TI does not recommend using this part in a new design.

**PREVIEW:** Device has been announced but is not in production. Samples may or may not be available.

**OBSELETE:** TI has discontinued the production of the device.

(2) Eco Plan - The planned eco-friendly classification: Pb-Free (RoHS), Pb-Free (RoHS Exempt), or Green (RoHS & no Sb/Br) - please check <http://www.ti.com/productcontent> for the latest availability information and additional product content details.

**TBD:** The Pb-Free/Green conversion plan has not been defined.

**Pb-Free (RoHS):** TI's terms "Lead-Free" or "Pb-Free" mean semiconductor products that are compatible with the current RoHS requirements for all 6 substances, including the requirement that lead not exceed 0.1% by weight in homogeneous materials. Where designed to be soldered at high temperatures, TI Pb-Free products are suitable for use in specified lead-free processes.

**Pb-Free (RoHS Exempt):** This component has a RoHS exemption for either 1) lead-based flip-chip solder bumps used between the die and package, or 2) lead-based die adhesive used between the die and leadframe. The component is otherwise considered Pb-Free (RoHS compatible) as defined above.

**Green (RoHS & no Sb/Br):** TI defines "Green" to mean Pb-Free (RoHS compatible), and free of Bromine (Br) and Antimony (Sb) based flame retardants (Br or Sb do not exceed 0.1% by weight in homogeneous material)

(3) MSL, Peak Temp. - The Moisture Sensitivity Level rating according to the JEDEC industry standard classifications, and peak solder temperature.

(4) There may be additional marking, which relates to the logo, the lot trace code information, or the environmental category on the device.

(5) Multiple Device Markings will be inside parentheses. Only one Device Marking contained in parentheses and separated by a "~" will appear on a device. If a line is indented then it is a continuation of the previous line and the two combined represent the entire Device Marking for that device.

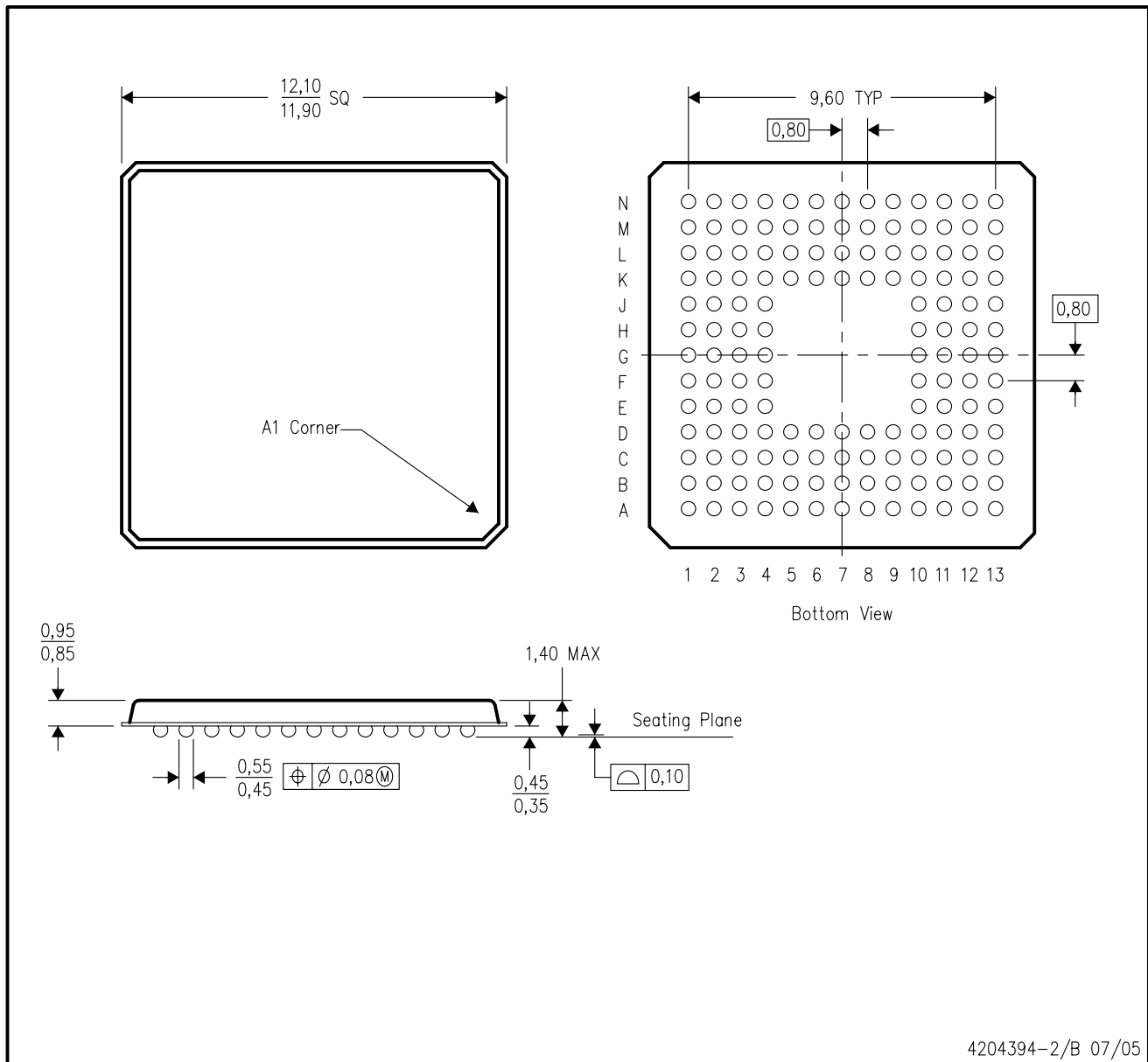
(6) Lead/Ball Finish - Orderable Devices may have multiple material finish options. Finish options are separated by a vertical ruled line. Lead/Ball Finish values may wrap to two lines if the finish value exceeds the maximum column width.

**Important Information and Disclaimer:**The information provided on this page represents TI's knowledge and belief as of the date that it is provided. TI bases its knowledge and belief on information provided by third parties, and makes no representation or warranty as to the accuracy of such information. Efforts are underway to better integrate information from third parties. TI has taken and continues to take reasonable steps to provide representative and accurate information but may not have conducted destructive testing or chemical analysis on incoming materials and chemicals. TI and TI suppliers consider certain information to be proprietary, and thus CAS numbers and other limited information may not be available for release.

In no event shall TI's liability arising out of such information exceed the total purchase price of the TI part(s) at issue in this document sold by TI to Customer on an annual basis.

ZGU (S-PBGA-N144)

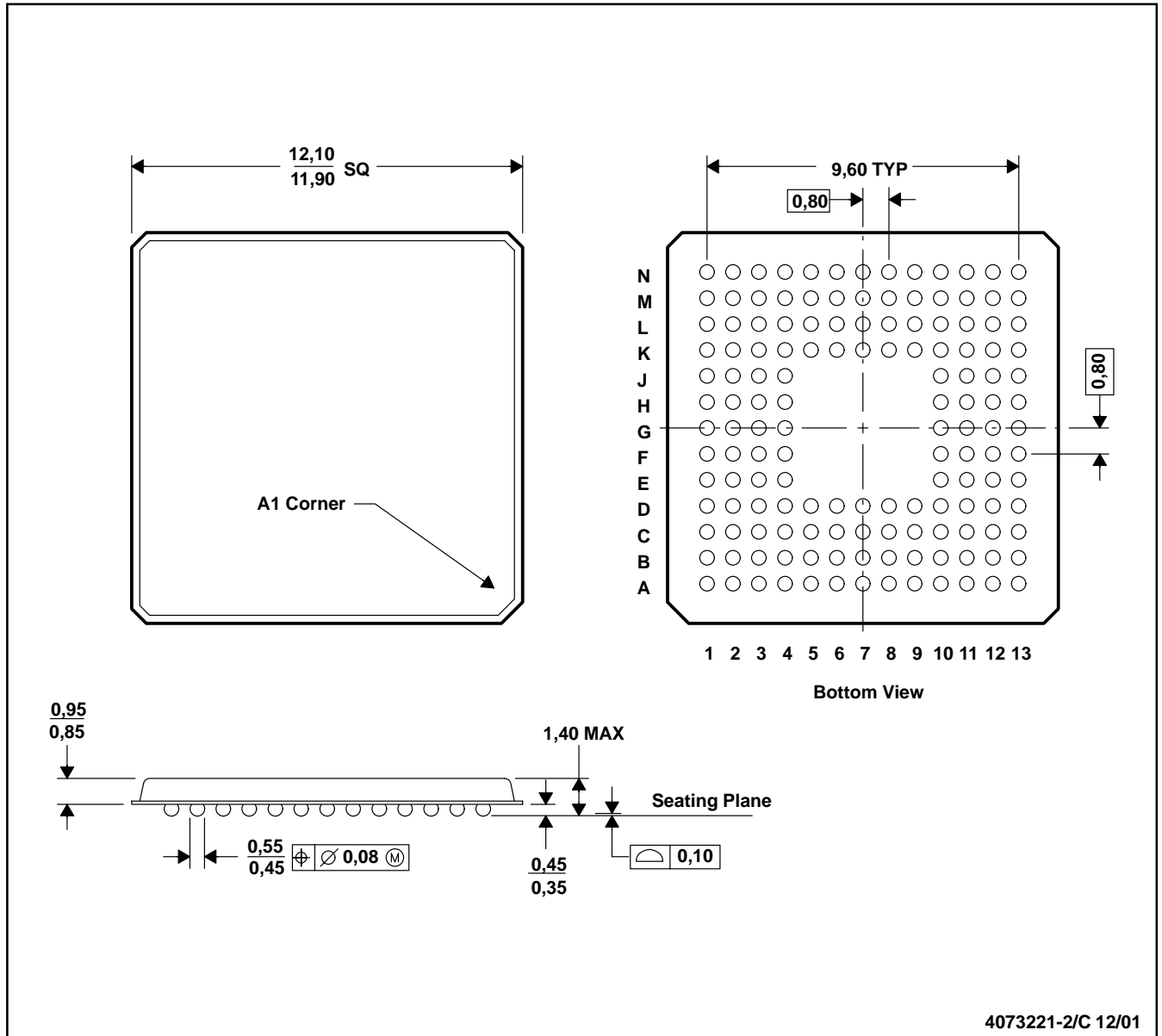
PLASTIC BALL GRID ARRAY



- NOTES:
- A. All linear dimensions are in millimeters.
  - B. This drawing is subject to change without notice.
  - C. Micro Star BGA configuration
  - D. This is a lead-free solder ball design.

GGU (S-PBGA-N144)

PLASTIC BALL GRID ARRAY



- NOTES: A. All linear dimensions are in millimeters.  
 B. This drawing is subject to change without notice  
 C. MicroStar BGA™ configuration

MicroStar BGA is a trademark of Texas Instruments Incorporated.



PGE (S-PQFP-G144)

PLASTIC QUAD FLATPACK



- NOTES: A. All linear dimensions are in millimeters.  
 B. This drawing is subject to change without notice.  
 C. Falls within JEDEC MS-026

## IMPORTANT NOTICE

Texas Instruments Incorporated (TI) reserves the right to make corrections, enhancements, improvements and other changes to its semiconductor products and services per JESD46, latest issue, and to discontinue any product or service per JESD48, latest issue. Buyers should obtain the latest relevant information before placing orders and should verify that such information is current and complete.

TI's published terms of sale for semiconductor products (<http://www.ti.com/sc/docs/stdterms.htm>) apply to the sale of packaged integrated circuit products that TI has qualified and released to market. Additional terms may apply to the use or sale of other types of TI products and services.

Reproduction of significant portions of TI information in TI data sheets is permissible only if reproduction is without alteration and is accompanied by all associated warranties, conditions, limitations, and notices. TI is not responsible or liable for such reproduced documentation. Information of third parties may be subject to additional restrictions. Resale of TI products or services with statements different from or beyond the parameters stated by TI for that product or service voids all express and any implied warranties for the associated TI product or service and is an unfair and deceptive business practice. TI is not responsible or liable for any such statements.

Buyers and others who are developing systems that incorporate TI products (collectively, "Designers") understand and agree that Designers remain responsible for using their independent analysis, evaluation and judgment in designing their applications and that Designers have full and exclusive responsibility to assure the safety of Designers' applications and compliance of their applications (and of all TI products used in or for Designers' applications) with all applicable regulations, laws and other applicable requirements. Designer represents that, with respect to their applications, Designer has all the necessary expertise to create and implement safeguards that (1) anticipate dangerous consequences of failures, (2) monitor failures and their consequences, and (3) lessen the likelihood of failures that might cause harm and take appropriate actions. Designer agrees that prior to using or distributing any applications that include TI products, Designer will thoroughly test such applications and the functionality of such TI products as used in such applications.

TI's provision of technical, application or other design advice, quality characterization, reliability data or other services or information, including, but not limited to, reference designs and materials relating to evaluation modules, (collectively, "TI Resources") are intended to assist designers who are developing applications that incorporate TI products; by downloading, accessing or using TI Resources in any way, Designer (individually or, if Designer is acting on behalf of a company, Designer's company) agrees to use any particular TI Resource solely for this purpose and subject to the terms of this Notice.

TI's provision of TI Resources does not expand or otherwise alter TI's applicable published warranties or warranty disclaimers for TI products, and no additional obligations or liabilities arise from TI providing such TI Resources. TI reserves the right to make corrections, enhancements, improvements and other changes to its TI Resources. TI has not conducted any testing other than that specifically described in the published documentation for a particular TI Resource.

Designer is authorized to use, copy and modify any individual TI Resource only in connection with the development of applications that include the TI product(s) identified in such TI Resource. NO OTHER LICENSE, EXPRESS OR IMPLIED, BY ESTOPPEL OR OTHERWISE TO ANY OTHER TI INTELLECTUAL PROPERTY RIGHT, AND NO LICENSE TO ANY TECHNOLOGY OR INTELLECTUAL PROPERTY RIGHT OF TI OR ANY THIRD PARTY IS GRANTED HEREIN, including but not limited to any patent right, copyright, mask work right, or other intellectual property right relating to any combination, machine, or process in which TI products or services are used. Information regarding or referencing third-party products or services does not constitute a license to use such products or services, or a warranty or endorsement thereof. Use of TI Resources may require a license from a third party under the patents or other intellectual property of the third party, or a license from TI under the patents or other intellectual property of TI.

TI RESOURCES ARE PROVIDED "AS IS" AND WITH ALL FAULTS. TI DISCLAIMS ALL OTHER WARRANTIES OR REPRESENTATIONS, EXPRESS OR IMPLIED, REGARDING RESOURCES OR USE THEREOF, INCLUDING BUT NOT LIMITED TO ACCURACY OR COMPLETENESS, TITLE, ANY EPIDEMIC FAILURE WARRANTY AND ANY IMPLIED WARRANTIES OF MERCHANTABILITY, FITNESS FOR A PARTICULAR PURPOSE, AND NON-INFRINGEMENT OF ANY THIRD PARTY INTELLECTUAL PROPERTY RIGHTS. TI SHALL NOT BE LIABLE FOR AND SHALL NOT DEFEND OR INDEMNIFY DESIGNER AGAINST ANY CLAIM, INCLUDING BUT NOT LIMITED TO ANY INFRINGEMENT CLAIM THAT RELATES TO OR IS BASED ON ANY COMBINATION OF PRODUCTS EVEN IF DESCRIBED IN TI RESOURCES OR OTHERWISE. IN NO EVENT SHALL TI BE LIABLE FOR ANY ACTUAL, DIRECT, SPECIAL, COLLATERAL, INDIRECT, PUNITIVE, INCIDENTAL, CONSEQUENTIAL OR EXEMPLARY DAMAGES IN CONNECTION WITH OR ARISING OUT OF TI RESOURCES OR USE THEREOF, AND REGARDLESS OF WHETHER TI HAS BEEN ADVISED OF THE POSSIBILITY OF SUCH DAMAGES.

Unless TI has explicitly designated an individual product as meeting the requirements of a particular industry standard (e.g., ISO/TS 16949 and ISO 26262), TI is not responsible for any failure to meet such industry standard requirements.

Where TI specifically promotes products as facilitating functional safety or as compliant with industry functional safety standards, such products are intended to help enable customers to design and create their own applications that meet applicable functional safety standards and requirements. Using products in an application does not by itself establish any safety features in the application. Designers must ensure compliance with safety-related requirements and standards applicable to their applications. Designer may not use any TI products in life-critical medical equipment unless authorized officers of the parties have executed a special contract specifically governing such use. Life-critical medical equipment is medical equipment where failure of such equipment would cause serious bodily injury or death (e.g., life support, pacemakers, defibrillators, heart pumps, neurostimulators, and implantables). Such equipment includes, without limitation, all medical devices identified by the U.S. Food and Drug Administration as Class III devices and equivalent classifications outside the U.S.

TI may expressly designate certain products as completing a particular qualification (e.g., Q100, Military Grade, or Enhanced Product). Designers agree that it has the necessary expertise to select the product with the appropriate qualification designation for their applications and that proper product selection is at Designers' own risk. Designers are solely responsible for compliance with all legal and regulatory requirements in connection with such selection.

Designer will fully indemnify TI and its representatives against any damages, costs, losses, and/or liabilities arising out of Designer's non-compliance with the terms and provisions of this Notice.