

# TLE4906-2K

High Precision Hall-Effect Switch

## Datasheet

Rev 1.0, 2010-12

**Edition 2010-12**

**Published by  
Infineon Technologies AG  
81726 Munich, Germany**

**© 2010 Infineon Technologies AG  
All Rights Reserved.**

### **Legal Disclaimer**

The information given in this document shall in no event be regarded as a guarantee of conditions or characteristics. With respect to any examples or hints given herein, any typical values stated herein and/or any information regarding the application of the device, Infineon Technologies hereby disclaims any and all warranties and liabilities of any kind, including without limitation, warranties of non-infringement of intellectual property rights of any third party.

### **Information**

For further information on technology, delivery terms and conditions and prices, please contact the nearest Infineon Technologies Office ([www.infineon.com](http://www.infineon.com)).

### **Warnings**

Due to technical requirements, components may contain dangerous substances. For information on the types in question, please contact the nearest Infineon Technologies Office.

Infineon Technologies components may be used in life-support devices or systems only with the express written approval of Infineon Technologies, if a failure of such components can reasonably be expected to cause the failure of that life-support device or system or to affect the safety or effectiveness of that device or system. Life support devices or systems are intended to be implanted in the human body or to support and/or maintain and sustain and/or protect human life. If they fail, it is reasonable to assume that the health of the user or other persons may be endangered.

---

**TLE4906-2K High Precision Hall Effect Switch**


**Revision History: 2010-12, Rev 1.0**

**Previous Version:**

Page	Subjects (major changes since last revision)

**We Listen to Your Comments**

Any information within this document that you feel is wrong, unclear or missing at all?  
Your feedback will help us to continuously improve the quality of this document.  
Please send your proposal (including a reference to this document) to:  
[sensors@infineon.com](mailto:sensors@infineon.com)



## Table of Contents

<b>1</b>	<b>Product Description</b>	<b>3</b>
1.1	Overview	3
1.2	Features	3
1.3	Target Applications	3
<b>2</b>	<b>Functional Description</b>	<b>4</b>
2.1	General	4
2.2	Pin Configuration (top view)	4
2.3	Pin Description	4
2.4	Block Diagram	5
2.5	Functional Block Description	5
2.6	Application circuit	7
<b>3</b>	<b>Specification</b>	<b>8</b>
3.1	Absolute Maximum Ratings	8
3.2	Operating Range	9
3.3	Electrical and Magnetic Characteristics	10
<b>4</b>	<b>Package Information</b>	<b>12</b>
4.1	Package Outline	12
4.2	Distance between Chip and Package	13
4.3	Package Marking	13



## 1 Product Description

### 1.1 Overview

The TLE4906-2K is a high precision Hall effect switch with highly accurate switching thresholds for operating temperatures up to 150°C.

### 1.2 Features

- 2.7V to 24V supply voltage
- Operation from unregulated power supply
- High sensitivity and high stability of the magnetic switching points
- High resistance to mechanical stress by Active Error Compensation
- Reverse battery protection (-18V)
- Superior temperature stability
- Low jitter (typ. 1µs)
- High ESD performance (± 4kV HBM)
- Digital output signal
- SMD package SC59 (SOT23 compatible)

### 1.3 Target Applications

Target applications for TLE4906-2K are all automotive applications which require a high precision Hall switch for position sensing with a operating temperature range from -40°C to +150°C. The TLE4906-2K is a unipolar Hall switch which is actuated with the south pole of a magnet. A magnetic field above the threshold  $B_{OP}$  switches the output to low (output transistor ON) and a magnetic field below the release point  $B_{RP}$  back to high (transistor OFF).



Product Name	Product Type	Ordering Code	Package
TLE4906-2K	Unipolar Hall Switch	SP000868840	SC59

## 2 Functional Description

### 2.1 General

The TLE4906-2K is an integrated circuit Hall-effect sensor designed specifically for highly accurate applications. Precise magnetic switching points and high temperature stability are achieved by active compensation circuits and chopper techniques on chip.

### 2.2 Pin Configuration (top view)

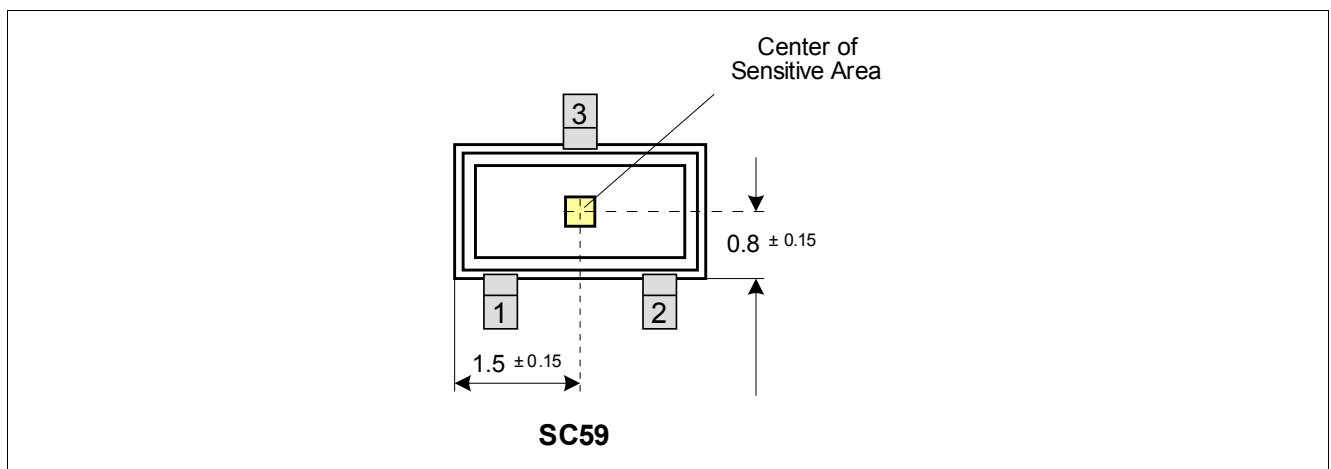


Figure 1 Pin Configuration and Center of Sensitive Area

### 2.3 Pin Description

Table 1 Pin Description SC59

Pin No.	Symbol	Function	Comment
1	$V_{DD}$	Supply voltage	
2	Q	Output	
3	GND	Ground	

## 2.4 Block Diagram

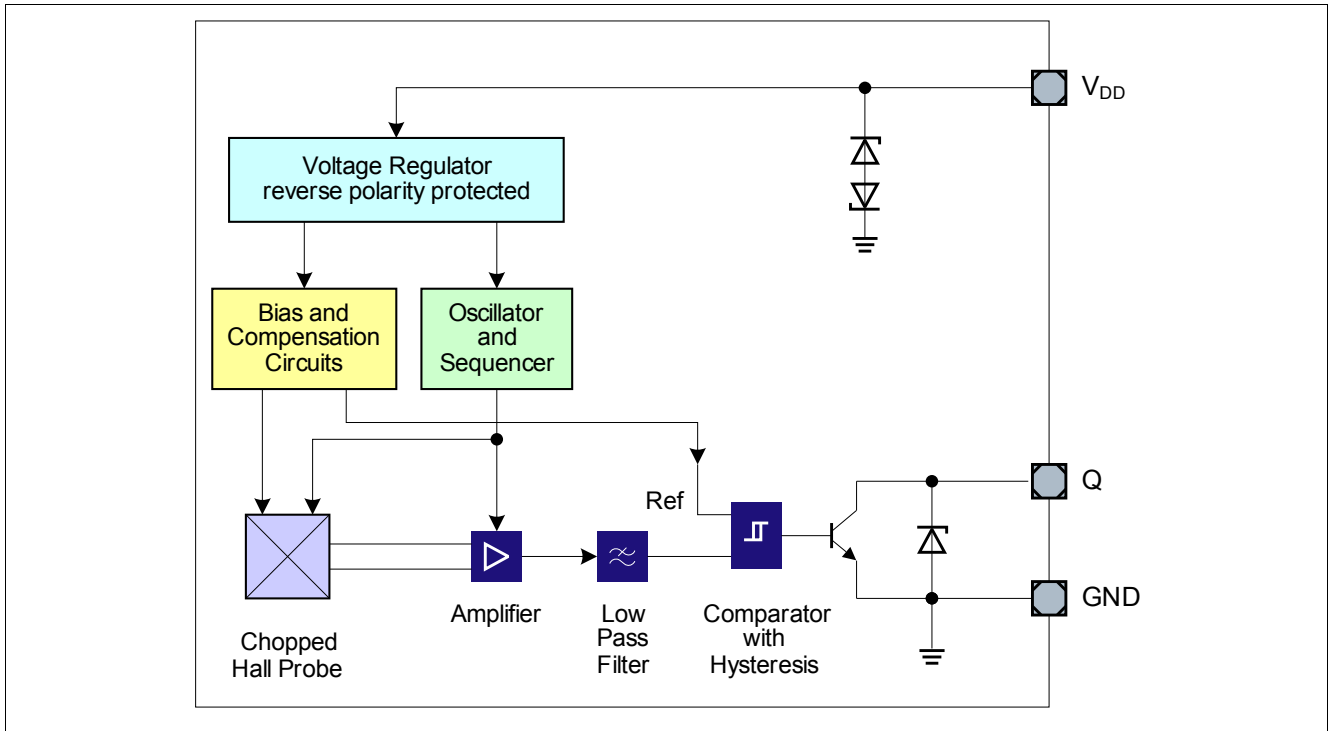


Figure 2 Functional Block Diagram

## 2.5 Functional Block Description

The chopped Hall IC Switch comprises a Hall probe, bias generator, compensation circuits, oscillator and output transistor.

The bias generator provides currents for the Hall probe and the active circuits. Compensation circuits stabilize the temperature behavior and reduce technology variations.

The Active Error Compensation rejects offsets in signal stages and the influence of mechanical stress to the Hall probe caused by molding and soldering processes and other thermal stresses in the package.

This chopper technique together with the threshold generator and the comparator ensure high accurate magnetic switching points.

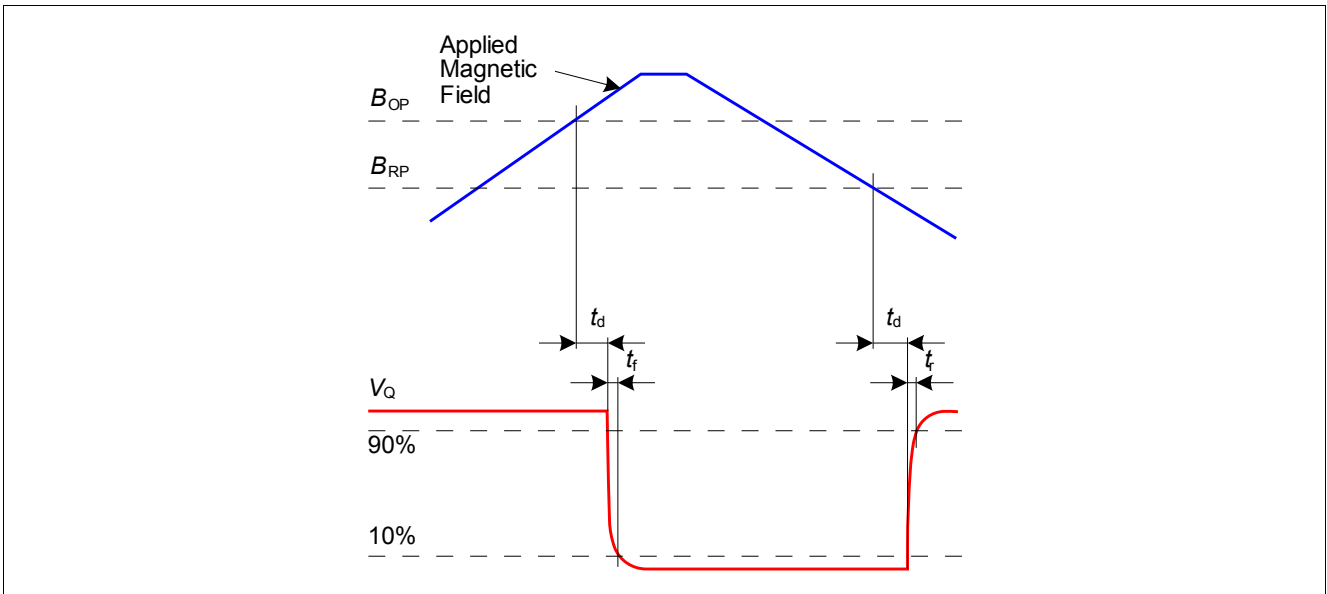


Figure 3 Timing Diagram

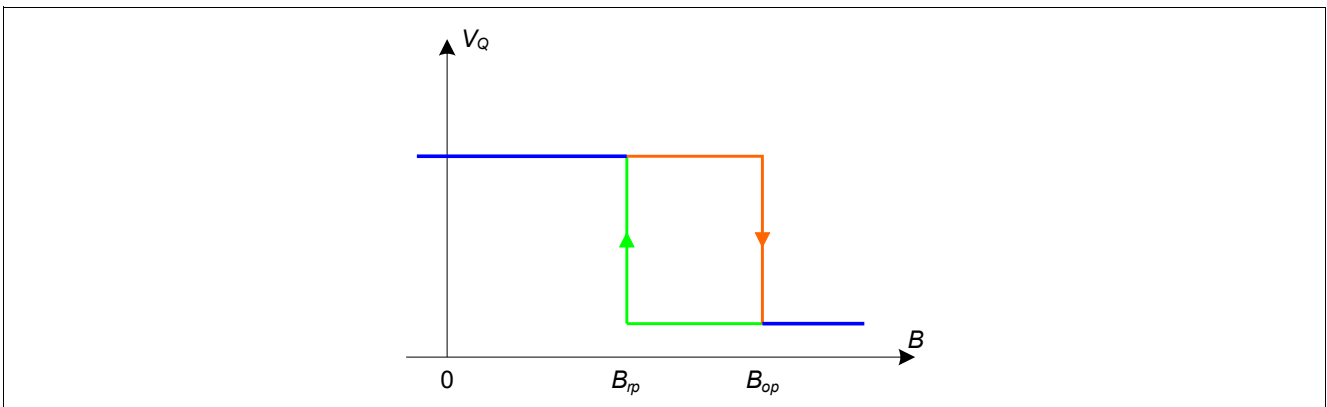


Figure 4 Output Signal



## 2.6 Application circuit

It is recommended to use a series resistor  $R_S$  with  $200\Omega$  and a capacitor of  $C_{DD} = 4.7\text{nF}$  for protection against overvoltage and transients on the supply line. A capacitor  $C_Q$  at the Q pin protects the IC from disturbances coupled to the output. A pull-up resistor  $R_Q$  is also required for the output pin Q.

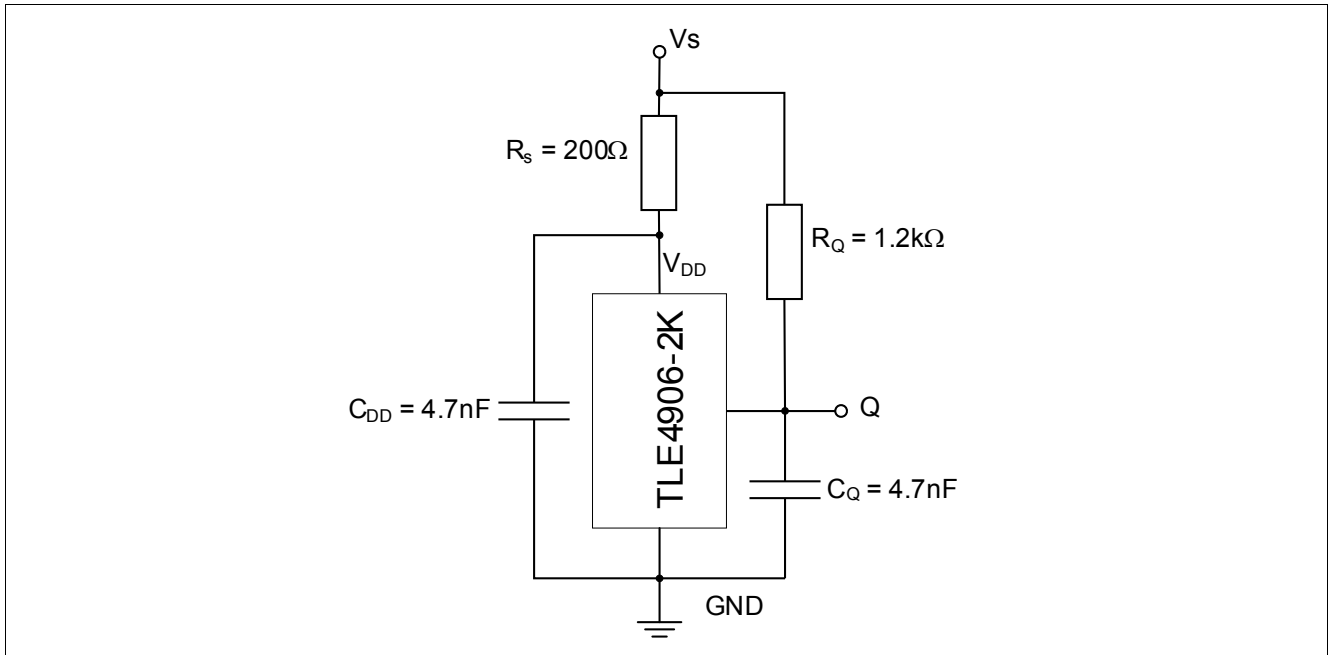


Figure 5 Application circuit

### 3 Specification

#### 3.1 Absolute Maximum Ratings

**Table 2 Absolute Maximum Rating Parameters**

$T_j = -40^{\circ}\text{C}$  to  $150^{\circ}\text{C}$

Parameter	Symbol	Limit Values		Unit	Note / Test Condition
		Min.	Max.		
Supply voltage	$V_{DD}$	-18	18	V	for 1h, $R_S \geq 200\Omega$ for 5min, $R_S \geq 200\Omega$
	$V_S$	-18	24		
	$V_S$	-18	26		
Supply current through protection device	$I_{DD}$	-50	50	mA	
Output voltage	$V_Q$	-0.7	18	V	for 5min @ 1.2k $\Omega$ pull up
		-0.7	26		
Continuous output current	$I_Q$	-50	50	mA	
Junction temperature	$T_j$	-	155	$^{\circ}\text{C}$	for 2000h (not additive) for 1000h (not additive) for 168h (not additive) for 3 x 1h (additive)
		-	165		
		-	175		
		-	195		
Storage temperature	$T_S$	-40	150	$^{\circ}\text{C}$	
Magnetic flux density	B	-	unlimited	mT	

*Note: Stresses above the max. values listed here may cause permanent damage to the device. Exposure to absolute maximum rating conditions for extended periods may affect device reliability. Maximum ratings are absolute ratings; exceeding only one of these values may cause irreversible damage to the integrated circuit.*

**Table 3 ESD Protection<sup>1)</sup>**

Parameter	Symbol	Limit Values		Unit	Note / Test Condition
		Min.	Max.		
ESD Voltage	$V_{ESD}$		$\pm 4$	kV	HBM, $R = 1.5\text{k}\Omega$ , $C = 100\text{pF}$ $T_A = 25^{\circ}\text{C}$

1) Human Body Model (HBM) tests according to: EOS/ESD Association Standard S5.1-1993 and Mil. Std. 883D method 3015.7

### 3.2 Operating Range

The following operating conditions must not be exceeded in order to ensure correct operation of the TLE4906-2K . All parameters specified in the following sections refer to these operating conditions unless otherwise mentioned.

**Table 4 Operating Conditions Parameters**

Parameter	Symbol	Values			Unit	Note / Test Condition
		Min.	Typ.	Max.		
Supply voltage	$V_{DD}$	2.7		18	V	
Output voltage	$V_Q$	-0.7		18	V	
Junction temperature	$T_j$	-40		150	°C	
Output current	$I_Q$	0		20	mA	

### 3.3 Electrical and Magnetic Characteristics

Product characteristics involve the spread of values guaranteed within the specified voltage and ambient temperature range. Typical characteristics are the median of the production.

**Table 5 General Electrical Characteristics<sup>1)</sup>**

Parameter	Symbol	Values			Unit	Note / Test Condition
		Min.	Typ.	Max.		
Supply current	$I_{DD}$	2	4	6	mA	$V_{DD} = 2.7V \dots 18V$
Reverse current	$I_{SR}$	0	0.2	1	mA	$V_{DD} = -18V$
Output saturation voltage	$V_{QSAT}$	-	0.3	0.6	V	$I_Q = 20mA$
Output leakage current	$I_{QLEAK}$	-	0.05	10	$\mu A$	for $V_Q = 18V$
Output fall time	$t_f$	-	0.02	1	$\mu s$	$R_Q = 1.2k\Omega$ ; $C_Q = 50pF$
Output rise time	$t_r$	-	0.4	1	$\mu s$	see <a href="#">Figure 3</a>
Chopper frequency	$f_{OSC}$	-	320	-	kHz	
Switching frequency	$f_{SW}$	0	-	15 <sup>2)</sup>	kHz	
Delay time <sup>3)</sup>	$t_d$	-	13	-	$\mu s$	
Output jitter <sup>4)</sup>	$t_{QJ}$	-	1	-	$\mu s_{RMS}$	typical value for square wave signal with 1kHz
Power-on time <sup>5)</sup>	$t_{PON}$	-	13	-	$\mu s$	$V_{DD} \geq 2.7V$
Thermal resistance <sup>6)</sup>	$R_{thJA}$	-	100	-	K/W	SC59

- 1) over operating range, unless otherwise specified. Typical values correspond to  $V_{DD} = 12V$  and  $T_A = 25^\circ C$
- 2) To operate the sensor at the max. switching frequency, the value of the magnetic signal amplitude must be 1.4 times higher than for static fields. This is due to the -3dB corner frequency of the low pass filter in the signal path.
- 3) Systematic delay between magnetic threshold reached and output switching.
- 4) Jitter is the unpredictable deviation of the output switching delay.
- 5) Time from applying  $V_{DD} \geq 2.7V$  to the sensor until the output state is valid.
- 6) Thermal resistance from junction to ambient.

**Calculation of the ambient temperature:**

e.g. for  $V_{DD} = 12.0V$ ,  $I_{DDtyp} = 4mA$ ,  $V_{QSATtyp} = 0.3V$  and  $I_Q = 20mA$

Power dissipation  $P_{DIS} = 54.0mW$

In  $T_A = T_j - (R_{thJA} \times P_{DIS}) = 175^\circ C - (100K/W \times 0.054W)$

Resulting max. ambient temperature:  $T_A = 169.6^\circ C$

**Table 6** Magnetic Characteristics<sup>1)</sup>

Parameter	Symbol	T <sub>j</sub> [°C]	Values			Unit	Note / Test Condition
			Min.	Typ.	Max.		
Operating point	B <sub>OP</sub>	-40	13.5	19.4	25.3	mT	
		25	12.5	18.0	23.5		
		150	10.4	15.3	20.2		
Release point	B <sub>RP</sub>	-40	9.1	13.5	17.9	mT	
		25	8.4	12.5	16.6		
		150	6.9	10.6	14.3		
Hysteresis	B <sub>HYS</sub>	-40	4.4	5.9	7.4	mT	
		25	4.1	5.5	6.9		
		150	3.5	4.7	5.9		
Temperature compensation of magnetic thresholds	T <sub>C</sub>		-	-1200	-	ppm/°C	
Repeatability of magnetic thresholds <sup>2)</sup>	B <sub>REP</sub>		-	20	-	μT <sub>RMS</sub>	typ. value for ΔB/Δt > 12mT/ms

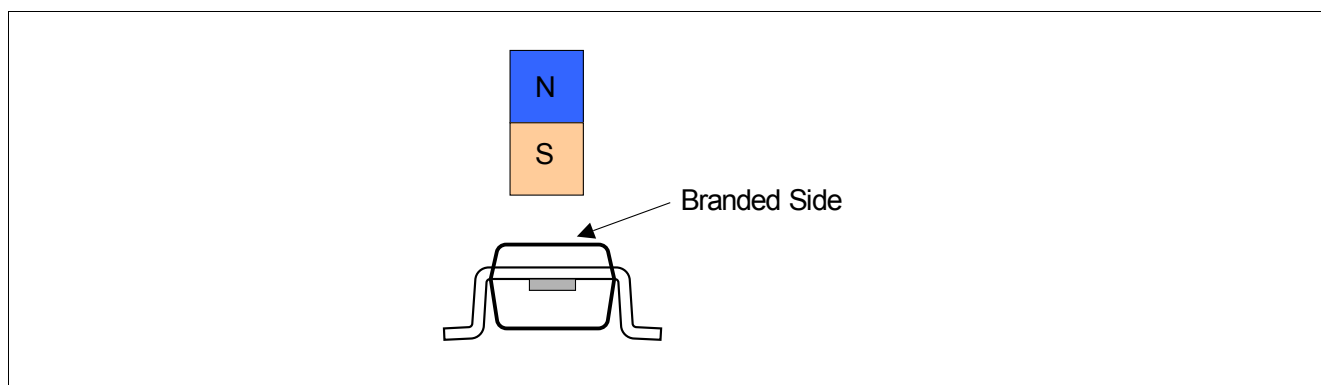
1) over operating range, unless otherwise specified. Typical values correspond to V<sub>DD</sub> = 12V and T<sub>A</sub> = 25°C.

2) B<sub>REP</sub> is equivalent to the noise constant

*Note: Typical characteristics specify mean values expected over the production spread*

**Field Direction Definition**

Positive magnetic fields are defined with the south pole of the magnet to the branded side of package.



**Figure 6** Definition of magnetic field direction

## 4 Package Information

### 4.1 Package Outline

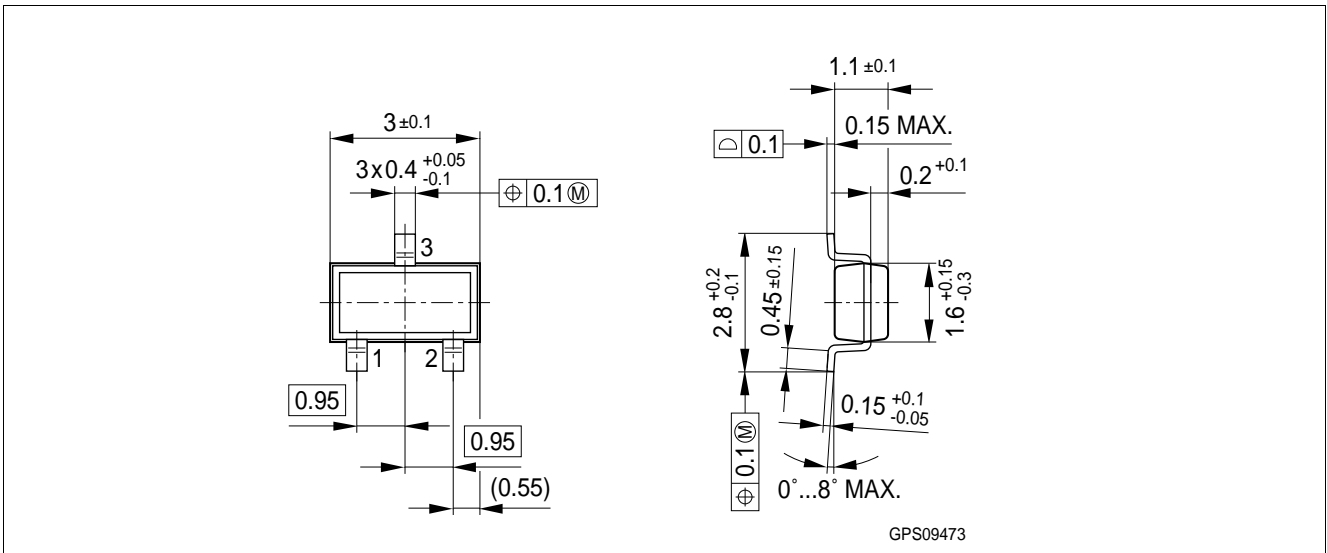


Figure 7 SC59 Package Outline (all dimensions in mm)

The following picture shows a recommendation for the PCB layout.

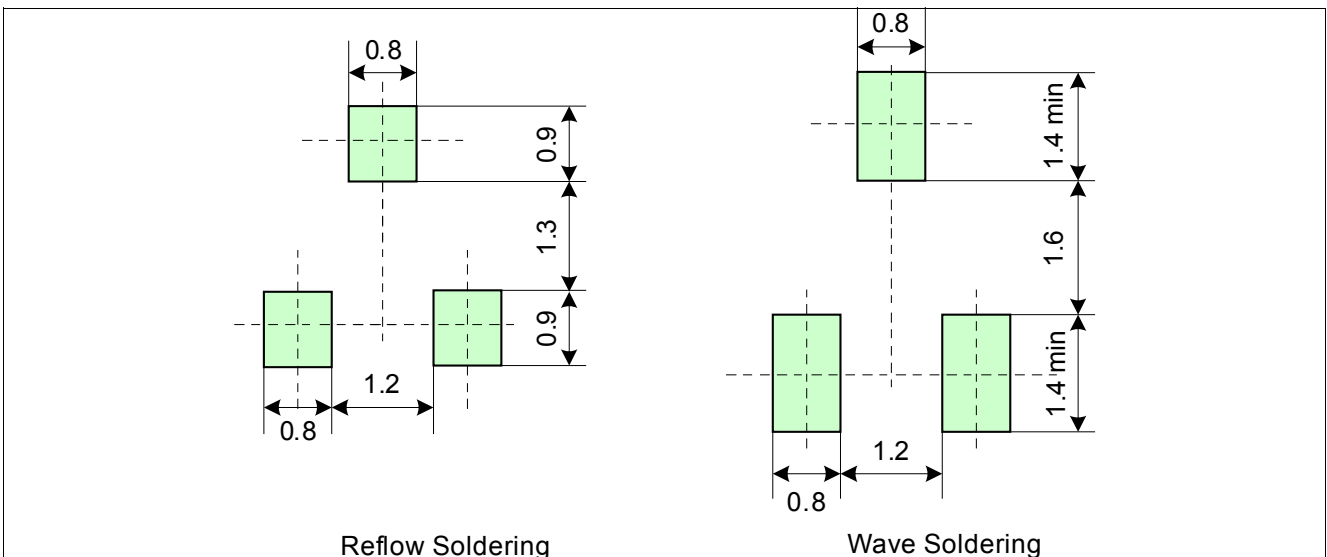


Figure 8 SC59 Footprint (SOT23 compatible, all dimensions in mm)

## 4.2 Distance between Chip and Package

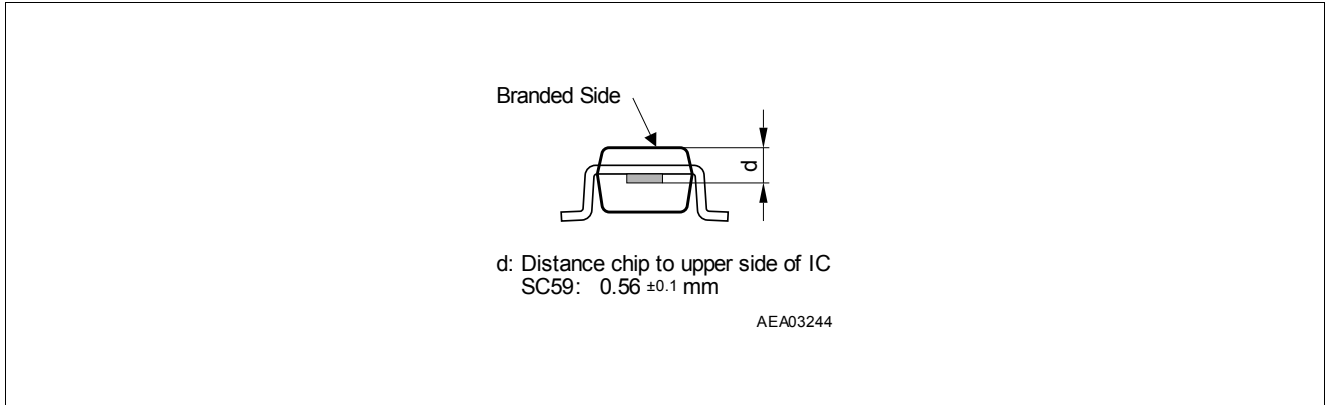


Figure 9 Distance between chip and package SC59

## 4.3 Package Marking

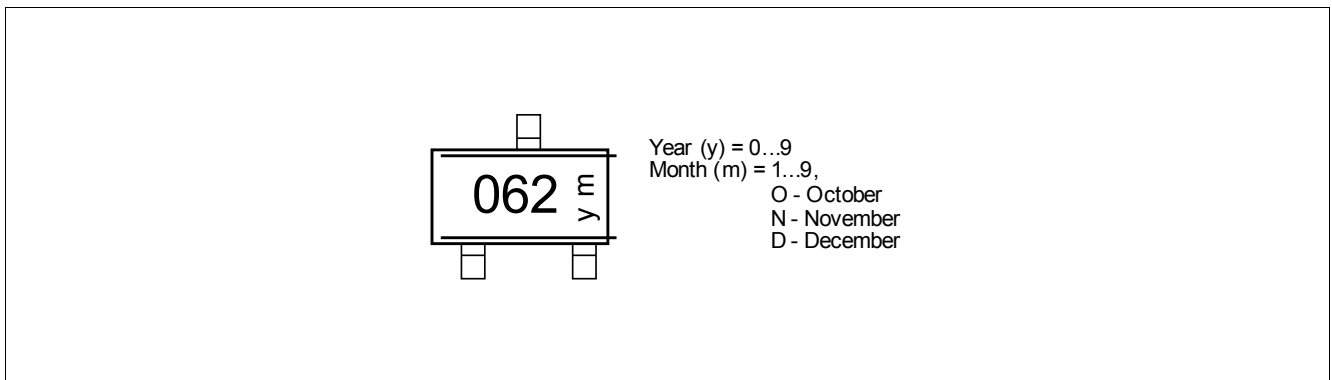


Figure 10 Marking of TLE4906-2K

[www.infineon.com](http://www.infineon.com)

Published by Infineon Technologies AG