

# TFA9815

## Stereo full-bridge audio amplifier 2 x 17 W

Rev. 01 — 16 December 2008

Preliminary data sheet

### 1. General description

The TFA9815 is a 2-channel power comparator for high-efficiency class D audio amplifier systems. It contains two full-bridge Bridge-Tied Load (BTL) power stages, drive logic, protection control logic and full differential input comparators. By using this power comparator a compact closed-loop self-oscillating digital audio amplifier system or open-loop system can be built. The continuous output power is 2 x 17 W in a full-bridge BTL application. The TFA9815 does not require a heat sink and operates using an asymmetrical supply voltage.

### 2. Features

- Stereo full-bridge audio amplifier for class D applications
- No external heat sink required
- Operating voltage range: asymmetrical from 8 V to 20 V
- Thermally protected
- Zero dead-time switching
- Current-limiting (no audible interruptions)

### 3. Applications

- Self-oscillating or open-loop class D audio amplifier applications
- Flat-panel television sets
- Flat-panel monitors
- Multimedia systems
- Wireless speakers
- High-end CRT television sets

### 4. Quick reference data

**Table 1. Quick reference data**

$V_P = 12\text{ V}$ ;  $f_{osc} = 550\text{ kHz}$ ;  $T_{amb} = 25\text{ °C}$ ; typical application diagram [Figure 12](#), unless otherwise specified.

Symbol	Parameter	Conditions	Min	Typ	Max	Unit
<b>General</b>						
$V_P$	supply voltage	single, asymmetrical supply ( $V_{DD} - V_{SS}$ )	8	12	20	V
$I_P$	supply current	Sleep mode	-	110	200	$\mu\text{A}$

**Table 1. Quick reference data ...continued**

$V_P = 12\text{ V}$ ;  $f_{osc} = 550\text{ kHz}$ ;  $T_{amb} = 25\text{ °C}$ ; typical application diagram [Figure 12](#), unless otherwise specified.

Symbol	Parameter	Conditions	Min	Typ	Max	Unit
$I_{q(tot)}$	total quiescent current	Operating mode; no load; no snubbers; no filter connected	-	40	50	mA
$\eta_{po}$	output power efficiency	output power; $2 \times 10\text{ W}$ into $8\ \Omega$	89	91	-	%
$P_{o(RMS)}$	RMS output power	$V_P = 15\text{ V}$ ; $R_L = 8\ \Omega$ ; THD = 10 %	15	16	-	W
		$V_P = 12\text{ V}$ ; $R_L = 8\ \Omega$ ; THD = 10 %	9	10	-	W
		$V_P = 12\text{ V}$ ; $R_L = 6\ \Omega$ ; THD = 10 %	12	13	-	W
		$V_P = 12\text{ V}$ ; $R_L = 4\ \Omega$ ; THD = 10 %	17	18	-	W

## 5. Ordering information

**Table 2. Ordering information**

Type number	Package		Version
	Name	Description	
TFA9815T	SO32	plastic small outline package; 32 leads; body width 7.5 mm	SOT287-1

6. Block diagram

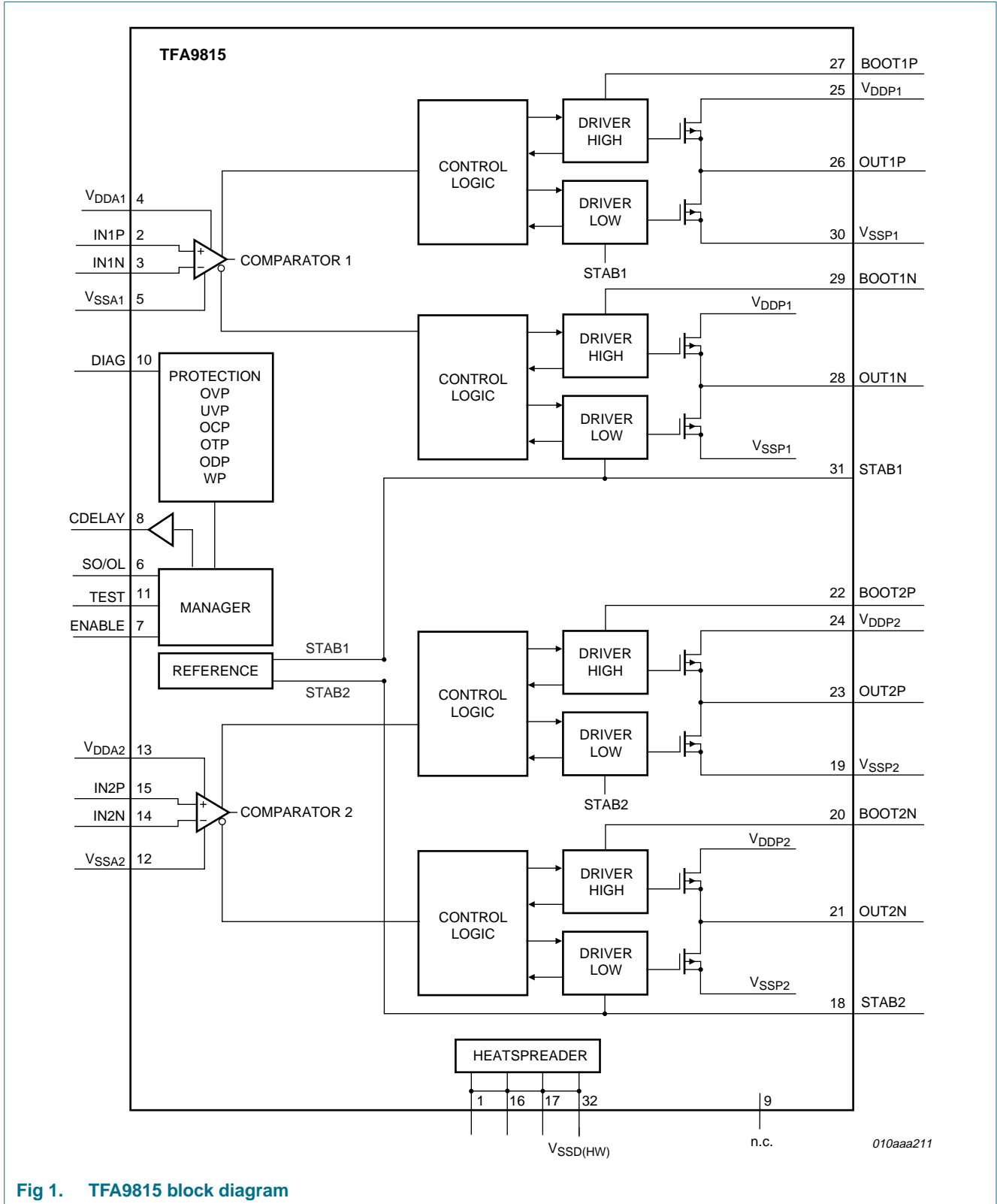


Fig 1. TFA9815 block diagram

## 7. Pinning information

### 7.1 Pinning

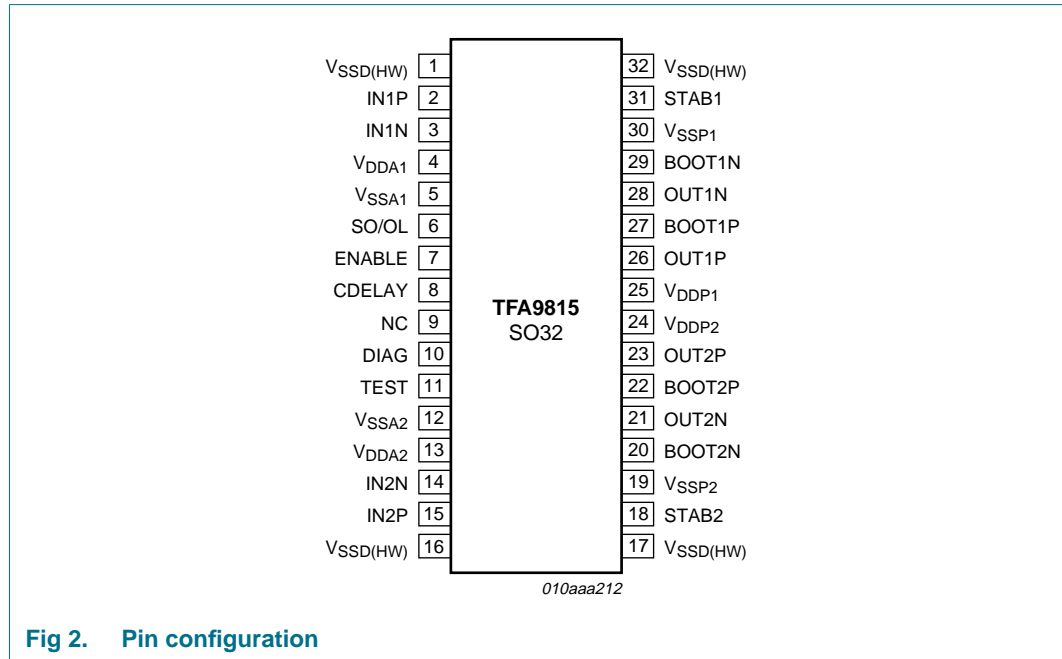


Fig 2. Pin configuration

The SO32 package has four corner leads. These leads (1, 16, 17 and 32) are internally connected to the die pad and must be connected to  $V_{SSA}$ . Together with the applied copper area on the PCB these leads determine the ambient temperature, which affects the thermal resistance of the junction.

### 7.2 Pin description

Table 3. Pin description

Symbol	Pin	Description
$V_{SSD(HW)}$	1	negative digital supply voltage and handle-wafer connection
IN1P	2	positive input comparator channel 1
IN1N	3	negative input comparator channel 1
$V_{DDA1}$	4	positive analog supply voltage channel 1
$V_{SSA1}$	5	negative analog supply voltage channel 1
SO/OL	6	self-oscillating / open-loop configuration enable
ENABLE	7	enable input to switch between Sleep and Operating mode
CDELAY	8	switch on/off timing control
n.c.	9	not connected
DIAG	10	diagnostic output; open-drain
TEST	11	test signal input; for testing purposes only
$V_{SSA2}$	12	negative analog supply voltage channel 2
$V_{DDA2}$	13	positive analog supply voltage channel 2
IN2N	14	negative input comparator channel 2

Table 3. Pin description ...continued

Symbol	Pin	Description
IN2P	15	positive input comparator channel 2
$V_{SSD(HW)}$	16	negative digital supply voltage and handle-wafer connection
$V_{SSD(HW)}$	17	negative digital supply voltage and handle-wafer connection
STAB2	18	decoupling of internal 11 V regulator for channel 2 drivers
$V_{SSP2}$	19	negative power supply voltage channel 2
BOOT2N	20	bootstrap high-side driver negative output channel 2
OUT2N	21	negative output channel 2
BOOT2P	22	bootstrap high-side driver positive output channel 2
OUT2P	23	positive output channel 2
$V_{DDP2}$	24	positive power supply voltage channel 2
$V_{DDP1}$	25	positive power supply voltage channel 1
OUT1P	26	positive output channel 1
BOOT1P	27	bootstrap high-side driver positive output channel 1
OUT1N	28	negative output channel 1
BOOT1N	29	bootstrap high-side driver negative output channel 1
$V_{SSP1}$	30	negative power supply voltage channel 1
STAB1	31	decoupling of internal 11 V regulator for channel 1 drivers
$V_{SSD(HW)}$	32	negative digital supply voltage and handle-wafer connection

## 8. Functional description

### 8.1 General

The TFA9815 is a dual-switching power comparator. It is the main building block for a stereo high-efficiency Class D audio power amplifier system. It contains two full-bridge BTL power stages, drive logic, protection control logic and full differential input comparators and references (see [Figure 1](#)). By using this power comparator a compact closed-loop self-oscillating digital amplifier system or open-loop system can be built. A second-order low-pass filter converts the PWM output signal into an analog audio signal across the speaker.

### 8.2 Interfacing

The pins ENABLE and SO/OL control the Operating mode of the TFA9815. Both the ENABLE and the SO/OL pins are referenced to  $V_{SSD(HW)}$ .

When the SO/OL pin is connected to  $V_{SSD(HW)}$  the TFA9815 is in self-oscillating configuration: when the SO/OL pin is floating the TFA9815 is in open-loop configuration. Under this latter condition the open-pin voltage is typically 4 V applied internally. The TEST pin needs to be connected to ground in both situations.

**Table 4. SO/OL connections**

Interfacing	
SO/OL connected to:	Configuration
$V_{SSD(HW)}$	Self-oscillating
Open	Open-loop

The device has two modes: Sleep and Operating.

In Sleep mode the TFA9815 is not biased and has a very low supply current. Sleep mode can also be used to quickly mute the device.

When the TFA9815 is set into Operating mode the device is started via the start-up sequence, which provides a pop-free start-up behavior. After start-up the STABn reference voltages are present and the outputs start switching.

**Table 5. Start-up**

Interfacing	
ENABLE (V)	Mode
ENABLE < 0.8 V	Sleep mode
ENABLE > 3 V	Operating mode

### 8.3 Input comparators

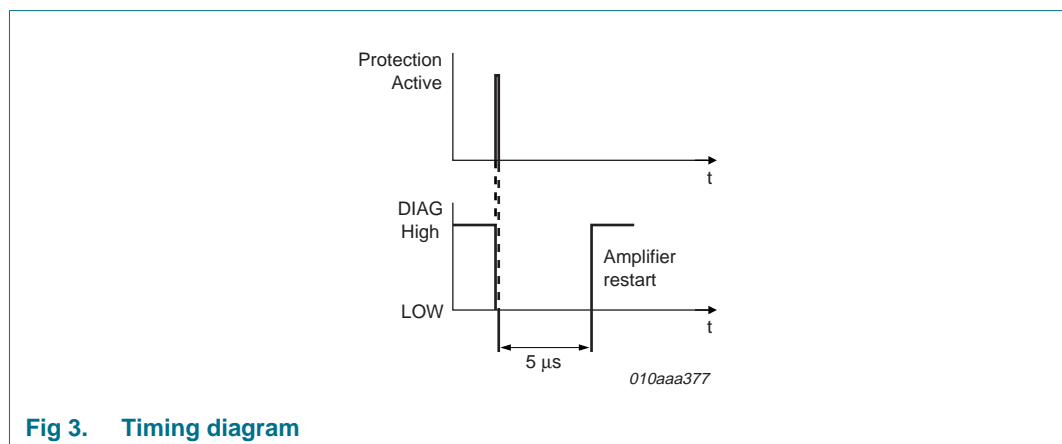
The input stages have a differential input and are optimized for low noise and offset. This results in maximum flexibility in the application.

Operating in self-oscillating configuration the inputs (IN1P, IN1N, IN2P, IN2N) of the comparators are internally set to a voltage level of  $V_{\phi}$ , but only during the start-up sequence. In Operating mode the inputs are high-ohmic.

Operating in open-loop configuration, no internal voltages are applied to the inputs. The input pins (IN1P, IN1N, IN2P, IN2N) are pulled down to  $V_{SSA1}$  and  $V_{SSA2}$  level by internal resistors.

### 8.4 Diagnostic

The DIAG output is an open-drain output. The maximum current is 2 mA. When one of the protections is activated the DIAG output is set LOW. The DIAG output refers to  $V_{SSD}$ .



**Fig 3. Timing diagram**

## 8.5 Protections

The TFA9815 has the following protections:

- OverTemperature Protection (OTP)
- OverCurrent Protection (OCP)
- OverVoltage Protection (OVP)
- UnderVoltage Protection (UVP)
- OverDissipation Protection (ODP)
- Window Protection (WP)

When either the OTP or the OCP are activated the output power stage is switched off and all the outputs (OUT1N, OUT1P, OUT2N and OUT2P) become floating. The power stage will switch back on after 5  $\mu$ s or as soon as the fault condition is removed.

When any other protection is activated (OVP, UVP, ODP, or WP) all the outputs become floating and the device shuts down. The TFA9815 will resume operating after the fault condition has been removed, going through the restart sequence shown in [Figure 3](#). Restarting will typically take 500 ms, depending on the power-supply voltage level.

- **Overtemperature protection**

If the junction temperature ( $T_j$ ) exceeds a threshold level of about 150 °C the outputs become floating. The device will start switching again after 5 ms and when the temperature is below 150 °C. This thermal limitation is without audible interruptions.

- **Overcurrent protection**

If the output current exceeds the maximum output-current threshold level the outputs become floating. The device will start switching again after 5  $\mu$ s. This current limitation is without audible interruptions.

- **Overvoltage protection**

If the supply voltage applied to the TFA9815 exceeds the maximum supply-voltage threshold level the device shuts down. The device will resume operating when the supply is within the operating range, going through the restart sequence.

- **Undervoltage protection**

If the supply voltage applied to the TFA9815 falls below the minimum supply-voltage threshold level the device shuts down. The device will resume operating when the supply is within the operating range, going through the restart sequence.

- **Overdissipation protection**

If the junction temperature ( $T_j$ ) exceeds 135 °C an internal OverTemperature Warning (OTW) signal is generated. If the overcurrent protection is generated while the OTW is active the device will shut down and resume operating automatically, going through the restart sequence.

- **Window protection**

During start-up, if one of the outputs is shorted to  $V_{SS}$  or  $V_{DD}$  the device will interrupt the start-up sequence and wait until the short is removed. This is an effective measure to protect the device against shorts between the outputs (before the filter) and the ground or supply lines. The WP protects the device against errors made during board assembly.

Table 6. Overview protections

Protections				
Symbol	Condition	Diag.	Outputs	Recovering
OTP	$T_j > 150\text{ }^\circ\text{C}$	LOW	Floating	Automatic, after 5 $\mu\text{s}$ and $T_j < 150\text{ }^\circ\text{C}$
OCP	$I_O > I_{ORM}$	LOW	Floating	Automatic, after 5 $\mu\text{s}$
OVP	$V_P > 20\text{ V}$	LOW	Floating	Switch-off to restart when $V_P < 20\text{ V}$
UVP	$V_P < 8\text{ V}$	LOW	Floating	Switch-off to restart when $V_P > 8\text{ V}$
ODP	$T_j > 135\text{ }^\circ\text{C}$ and $I_O > I_{ORM}$	LOW	Floating	Switch-off to restart
WP	$\text{OUTX} > V_{DDA} - 1\text{ V}$ or $\text{OUTX} < V_{SSA} + 1\text{ V}$	LOW		Start-up after removing fault condition

8.6 Timing diagram

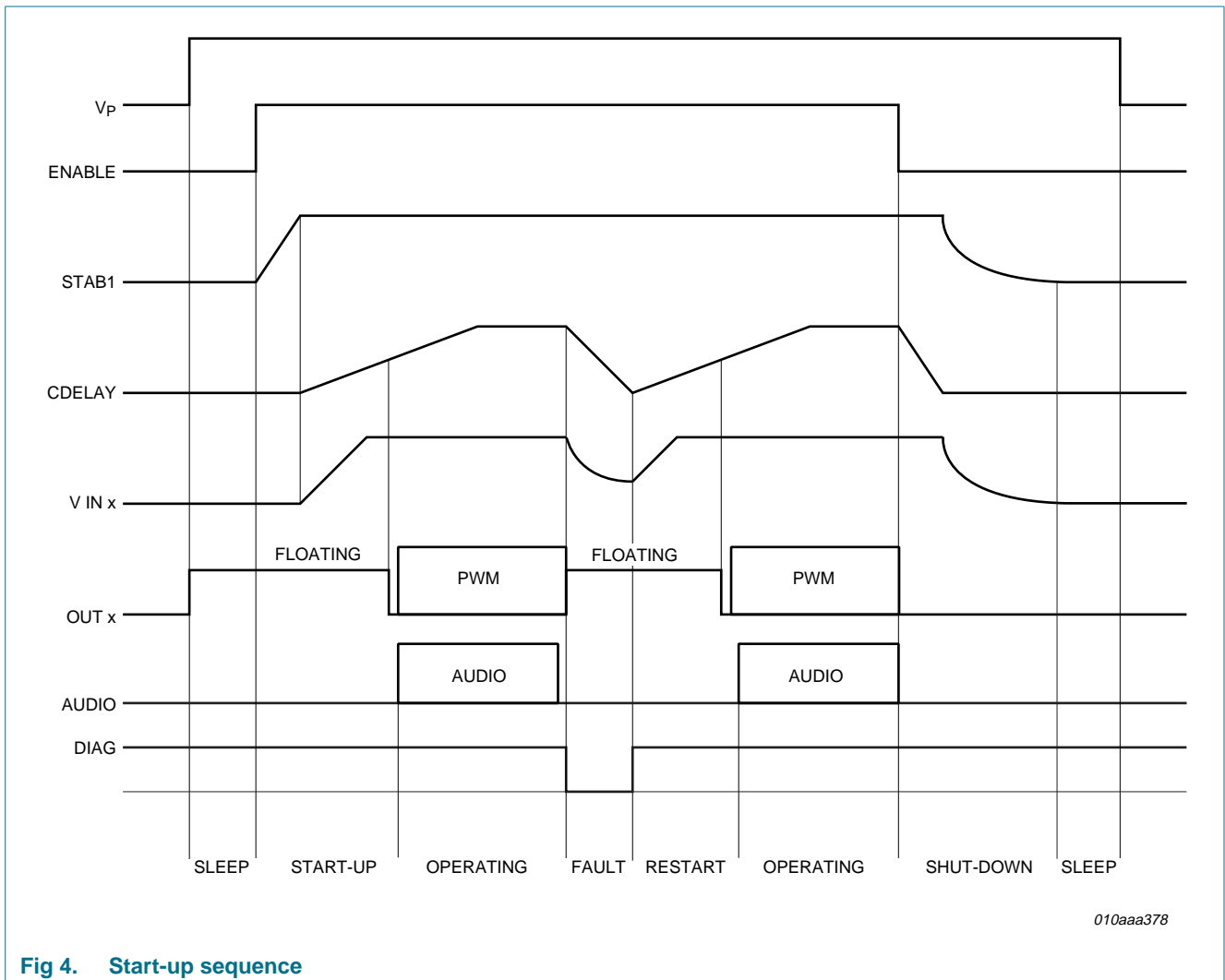


Fig 4. Start-up sequence



9. Internal circuitry

Table 7. Internal circuitry

Pin	Symbol	Equivalent circuit
1 16 17 32	$V_{SSD(HW)}$	<p style="text-align: right;">010aaa384</p>
2 3 14 15	IN1P IN1N IN2N IN2P	<p style="text-align: right;">010aaa385</p>
4 5 12 13	$V_{DDA1}$ $V_{SSA1}$ $V_{SSA2}$ $V_{DDA2}$	<p style="text-align: right;">010aaa386</p>
6	SO/OL	<p style="text-align: right;">010aaa381</p>

Table 7. Internal circuitry ...continued

Pin	Symbol	Equivalent circuit
7	ENABLE	<p style="text-align: right;">010aaa387</p>
8	CDELAY	<p style="text-align: right;">010aaa379</p>
10	DIAG	<p style="text-align: right;">010aaa030</p>
11	TEST	<p style="text-align: right;">010aaa031</p>

Table 7. Internal circuitry ...continued

Pin	Symbol	Equivalent circuit
18	STAB2	<p style="text-align: right;">010aaa445</p>
31	STAB1	
19	$V_{SSP2}$	<p style="text-align: right;">010aaa446</p>
24	$V_{DDP2}$	
25	$V_{DDP1}$	
30	$V_{SSP1}$	
20	BOOT2N	<p style="text-align: right;">010aaa447</p>
29	BOOT1N	
21	OUT2N	<p style="text-align: right;">010aaa380</p>
23	OUT2P	
26	OUT1P	
28	OUT1N	
22	BOOT2P	<p style="text-align: right;">010aaa448</p>
27	BOOT1P	

## 10. Limiting values

**Table 8. Limiting values**

In accordance with the Absolute Maximum Rating System (IEC 60134).

Symbol	Parameter	Conditions	Min	Max	Unit	
$V_P$	supply voltage	Asymmetrical	-0.3	+23.1	V	
$I_{ORM}$	repetitive peak output current	-	3	-	A	
$T_j$	junction temperature	-	-	180	°C	
$T_{stg}$	storage temperature	-	-55	+150	°C	
$T_{amb}$	ambient temperature	-	-40	+85	°C	
$P_{max}$	maximum power dissipation	-	-	5	W	
$V_x$	voltage on pin x	DIAG	$V_{SS} - 0.3$	12	V	
		IN1P - IN1N	-6	+6	V	
		IN2P - IN2N	-6	+6	V	
		all other pins	$V_{SS} - 0.3$	$V_{DD} + 0.3$	V	
$V_{esd}$	electrostatic discharge voltage	HBM	[1]	-2000	+2000	V
		MM	[2]	-200	+200	V

[1] Human-body model (HBM):  $R_S = 1500 \Omega$ ;  $C = 100 \text{ pF}$ ; for pins 2, 3, 14, and 15:  $V_{esd} = \pm 1500 \text{ V}$ .

[2] Machine model (MM):  $R_S = 0 \Omega$ ;  $C = 200 \text{ pF}$ ;  $L = 0.75 \mu\text{H}$ .

## 11. Thermal characteristics

**Table 9. Characteristics**

Symbol	Parameter	Conditions	Min	Typ	Max	Unit	
$R_{th(j-a)}$	thermal resistance from junction to ambient	JEDEC test board	[1]	-	39	42	K/W
		Two-layer application board	[2]	-	42	-	K/W
$\Psi_{j-lead}$	thermal characterization parameter from junction to lead	-	-	-	30	K/W	
$\Psi_{j-top}$	thermal characterization parameter from junction to top of package	-	[3]	-	8	K/W	

[1] Measured in a JEDEC high K-factor test board (standard EIA/JESD 51-7) in free air with natural convection.

[2] Two-layer application board (70 mm x 57 mm), 35  $\mu\text{m}$  copper, FR4 base material in free air with natural convection.

[3] Strongly depends on where the measurement is taken on the package.

## 12. Characteristics

### 12.1 Static characteristics

**Table 10. Characteristics**

$V_P = 12\text{ V}$ ;  $T_{amb} = 25\text{ °C}$ ;  $f_{osc} = 550\text{ kHz}$ ; typical application diagram [Figure 12](#), unless otherwise specified.

Symbol	Parameter	Conditions	Min	Typ	Max	Unit
<b>Supply voltage</b>						
$V_P$	supply voltage	single asymmetrical supply ( $V_{DD} - V_{SS}$ )	8	12	20	V
$I_P$	supply current	Sleep mode	-	110	200	$\mu\text{A}$
$I_{q(\text{tot})}$	total quiescent current	Operating mode; no load, no snubbers and no filter connected	-	40	50	mA
<b>Series resistance output power switches</b>						
$R_{DSon}$	drain-source on-state resistance	$T_j = 25\text{ °C}$	-	150	220	$\text{m}\Omega$
<b>Enable input: pin ENABLE<sup>[1]</sup></b>						
$V_{IL}$	LOW-level input voltage	Sleep mode	-	-	0.8	V
$V_{IH}$	HIGH-level input voltage	Operating mode	3	-	$V_P$	V
$I_I$	input current	$V_I = 5\text{ V}$	-	1	20	$\mu\text{A}$
<b>SO/OL input: pin SO/OL<sup>[1]</sup></b>						
$V_{IL}$	LOW-level input voltage	self-oscillating configuration	0	-	0.4	V
$V_{IH}$	HIGH-level input voltage	open-loop configuration	3	4	5	V
<b>Stabilizer output pins STAB1 and STAB2</b>						
$V_O$	output voltage	Operating mode	<sup>[1]</sup> 10.2	11	11.7	V
<b>Comparator full-differential input stage</b>						
$V_{\text{offset}(i)(\text{eq})}$	equivalent input offset voltage	-	-	-	1	mV
$V_{n(i)(\text{eq})}$	equivalent input noise voltage	20 Hz < f < 20 kHz	-	-	15	$\mu\text{V}$
$V_{i(\text{cm})}$	common-mode input voltage	-	$V_{SSA} + 3$	-	$V_{DDA} - 1$	V
$I_{IB}$	input bias current	-	-	-	1	$\mu\text{A}$
<b>Overtemperature protection</b>						
$T_{\text{act}(\text{th\_prot})}$	thermal protection activation temperature	-	150	-	180	$^{\circ}\text{C}$
<b>Overvoltage protection</b>						
$V_{\text{th}(\text{ovp})}$	overvoltage protection threshold voltage	level internal fixed	20.1	21.5	23	V
<b>Undervoltage protection</b>						
$V_{P(\text{uvp})}$	undervoltage protection supply voltage	level internal fixed	7	7.5	7.9	V
<b>Overcurrent protection</b>						
$I_{O(\text{ocp})}$	overcurrent protection output current	-	<sup>[2]</sup> 3	3.5	-	A

**Table 10. Characteristics ...continued**

$V_P = 12\text{ V}; T_{amb} = 25\text{ }^\circ\text{C}; f_{osc} = 550\text{ kHz}$ ; typical application diagram [Figure 12](#), unless otherwise specified.

Symbol	Parameter	Conditions	Min	Typ	Max	Unit
<b>Window Protection (WP)</b>						
$V_O$	output voltage	HIGH-level	-	$V_{DDA} - 1$	-	V
		LOW-level	-	$V_{SSA} + 1$	-	V

[1] Measured with respect to  $V_{SSD}$ .

[2] Current limiting concept: in overcurrent condition no interruption of the audio signal in case of impedance drop.

## 12.2 Dynamic characteristics

**Table 11. Switching characteristics**

$V_P = 12\text{ V}; T_{amb} = 25\text{ }^\circ\text{C}; f_{osc} = 550\text{ kHz}$  unless otherwise specified.

Symbol	Parameter	Conditions	Min	Typ	Max	Unit
<b>Timing PWM output: pins OUT1 and OUT2</b>						
$t_r$	rise time	$I_O = 0\text{ A}$	-	10	-	ns
$t_f$	fall time	$I_O = 0\text{ A}$	-	10	-	ns
$t_{w(\min)}$	minimum pulse width	$I_O = 0\text{ A}$	-	60	-	ns

## 12.3 AC characteristics measured in typical application

**Table 12. AC characteristics measured in typical application**

Symbol	Parameter	Conditions	Min	Typ	Max	Unit	
$P_{O(\text{RMS})}$	RMS output power	$V_P = 15\text{ V}; R_L = 8\text{ }\Omega; \text{THD} = 10\text{ }\%$	15	16	-	W	
		$V_P = 12\text{ V}; R_L = 8\text{ }\Omega; \text{THD} = 10\text{ }\%$	9	10	-	W	
		$V_P = 12\text{ V}; R_L = 6\text{ }\Omega; \text{THD} = 10\text{ }\%$	12	13	-	W	
		$V_P = 12\text{ V}; R_L = 4\text{ }\Omega; \text{THD} = 10\text{ }\%$	17	18	-	W	
THD+N	total harmonic distortion-plus-noise	$P_O = 1\text{ W}; f_i = 1\text{ kHz}$	[1]	-	0.05	0.1	%
$\eta_{po}$	output power efficiency	$P_O = 2 \times 10\text{ W at } 8\text{ }\Omega$	89	91	-	%	
		$P_O = 2 \times 18\text{ W at } 4\text{ }\Omega$	88	90	-	%	
$G_{V(\text{cl})}$	closed-loop voltage gain	$V_i = 100\text{ mV (RMS)}; f_i = 1\text{ kHz}$	18.6	19.3	21	dB	
$V_{n(o)}$	output noise voltage	inputs shorted; AES17 brick-wall	-	150	-	$\mu\text{V}$	
S/N	signal-to-noise ratio	$V_o = 10\text{ V (RMS)}; G_{V(\text{cl})} = 20\text{ dB}$	94	96	-	dB	
SVRR	supply voltage ripple rejection	Operating mode; $f_i = 1\text{ kHz}$	[2]	34	45	-	dB
$\alpha_{cs}$	channel separation	$P_O = 1\text{ W}; f_i = 1\text{ kHz}$	55	70	-	dB	

[1] THD+N is measured in a bandwidth of 20 Hz to 20 kHz, AES17, brick-wall.

[2] Minimum value determined by R5, R10, R17, R22 equalling +1 % and R7, R14, R18, R20 equalling -1 %.

### 13. Application information

#### 13.1 Output power estimation

For BTL configuration the output power can be estimated using [Equation 1](#):

$$P_{o1\%} = \frac{\left[ \left[ \frac{R_L}{R_L + 2 \times (R_{DSon} + R_S)} \right] \times V_P \right]^2}{2 \times R_L} \tag{1}$$

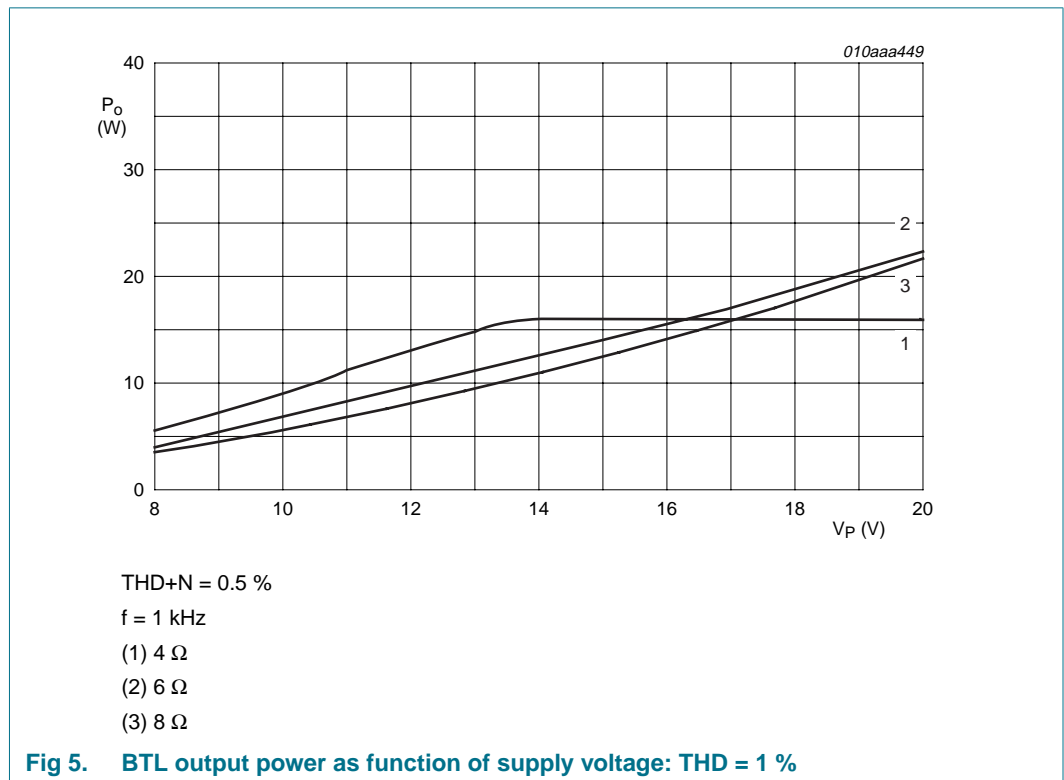
Where,

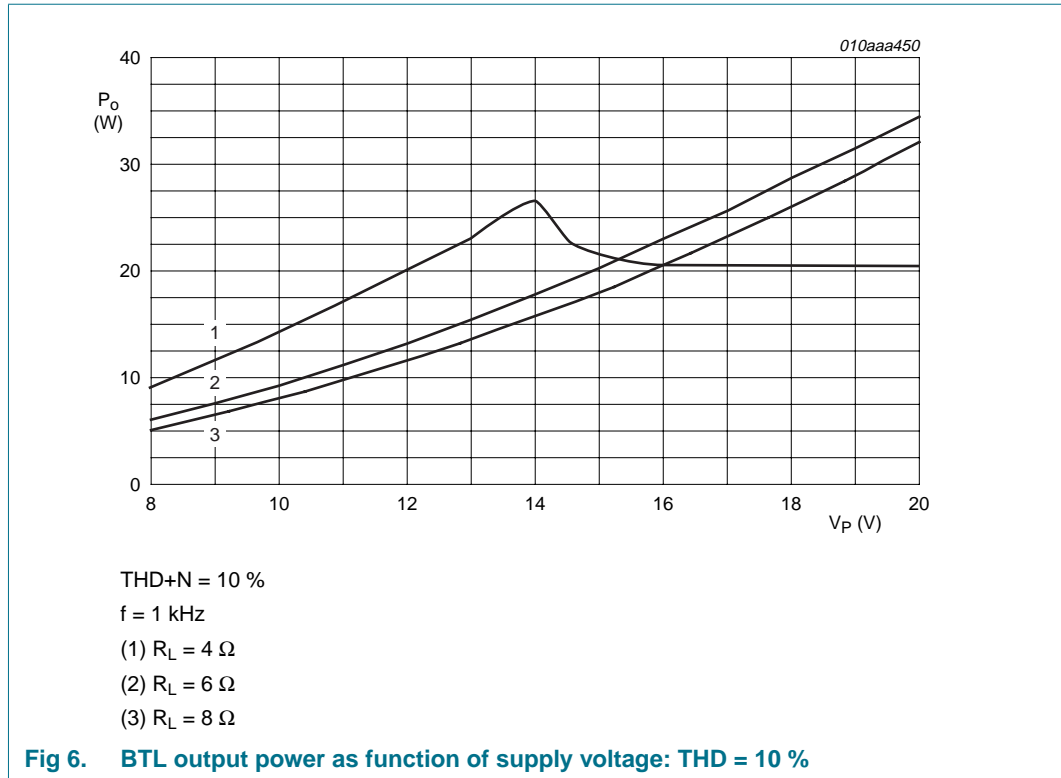
- $V_P$  = supply voltage [V]
- $R_L$  = load impedance [ $\Omega$ ]
- $R_{DSon}$  = on resistance power switch [ $\Omega$ ]
- $R_S$  = series resistance output inductor [ $\Omega$ ]

The output power at 10% THD can be estimated by using [Equation 2](#)

$$P_{o10\%} = 1.25 \times P_{o0.5\%} \tag{2}$$

[Figure 5](#) and [Figure 6](#) below show the estimated output power at THD = 0.5 % and THD = 10 % as a function of the BLT supply voltage for different load impedances.





### 13.2 Output current limiting

The maximum peak output current is limited by the level of the overcurrent protection threshold. During normal operation the output current should not exceed this threshold level of 3 A otherwise the OCP will be triggered and the device will stop switching for 5  $\mu$ s. The peak output current in BTL can be estimated using the following equation:

$$I_{Omax} \leq \frac{V_P}{R_L + 2 \times (R_{DSon} + R_S)} \leq 3A$$

Where:

- $V_P$  = supply voltage [V]
- $R_L$  = load impedance [ $\Omega$ ]
- $R_{DSon}$  = on resistance power switch [ $\Omega$ ]
- $R_S$  = series resistance output inductor [ $\Omega$ ]

### 13.3 Speaker configuration and impedance

For a flat-frequency response (second-order Butterworth filter) it is necessary to change the low-pass filter components LLC and CLC according to the speaker configuration and impedance. [Table 13](#) shows the practical required values:



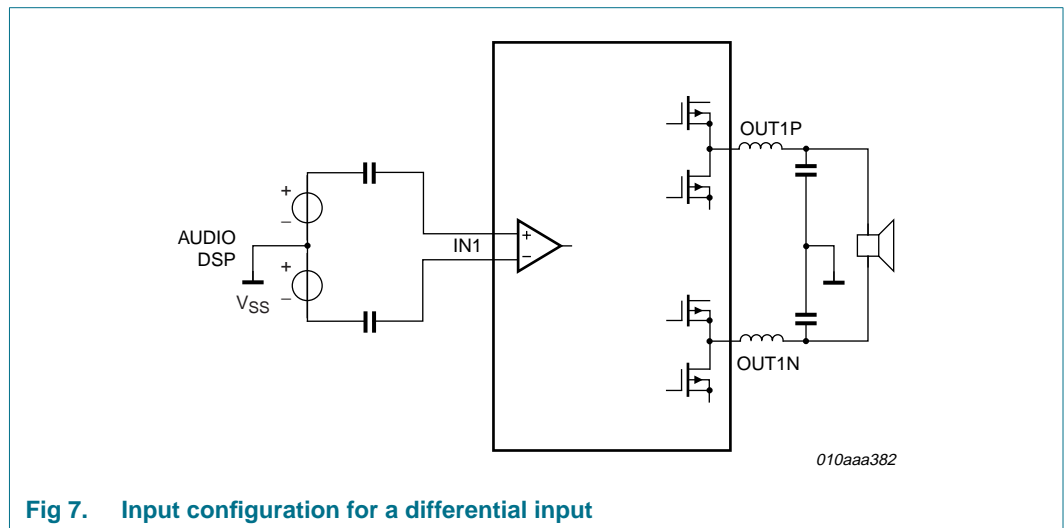
**Table 13. Filter component values**

Configuration	Impedance ( $\Omega$ )	LLC ( $\mu\text{H}$ )	CLC (nF)
BTL	4	10	1500
	6	15	1000
	8	22	680

### 13.4 Differential input

For a high common-mode rejection ratio and a maximum of flexibility in the application, the audio inputs of the application are fully differential.

The input configuration for a differential-input application is illustrated in [Figure 7](#).



**Fig 7. Input configuration for a differential input**

### 13.5 Single-ended input

When using an audio source with a single-ended 'out', it is important to connect the IN1N from the application board to the  $V_{SS}$  of the audio source (e.g. Audio Digital Signal Processing (Audio DSP)).

The input configuration for a single-ended 'in' application is illustrated in [Figure 8](#).

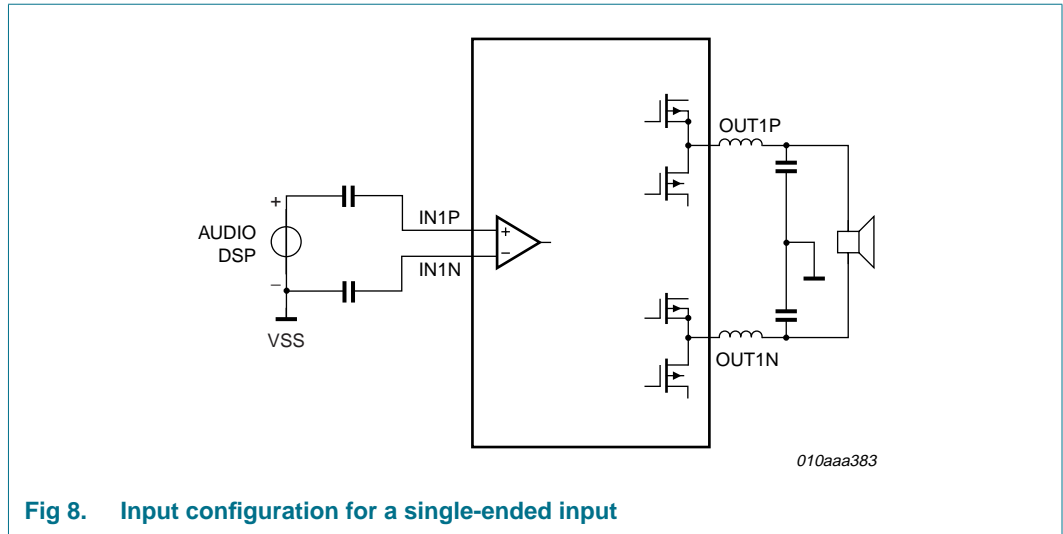


Fig 8. Input configuration for a single-ended input

### 13.6 Curves measured in a typical application

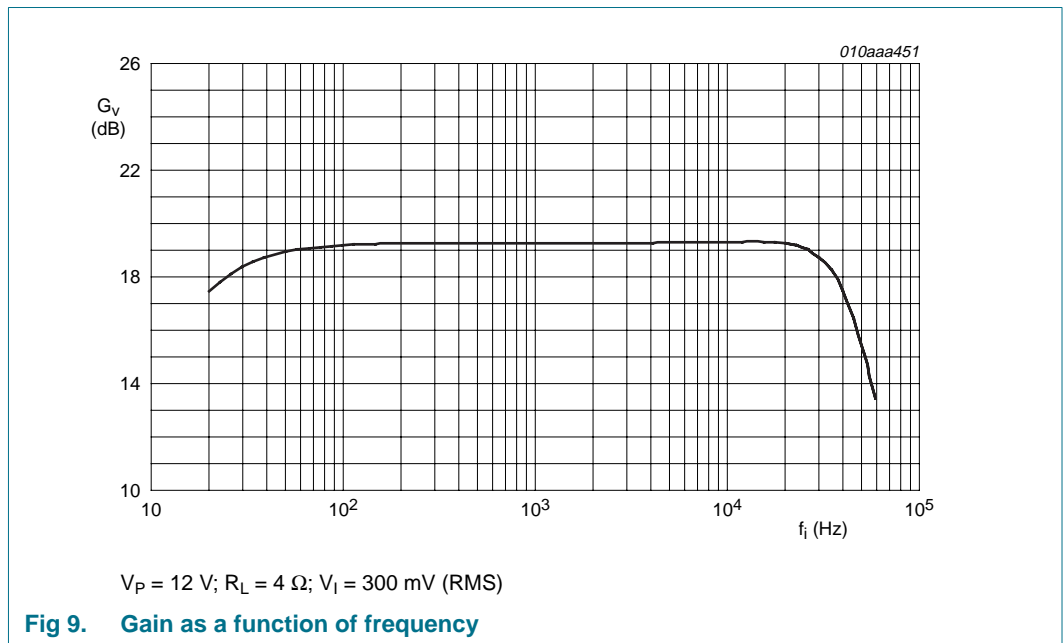
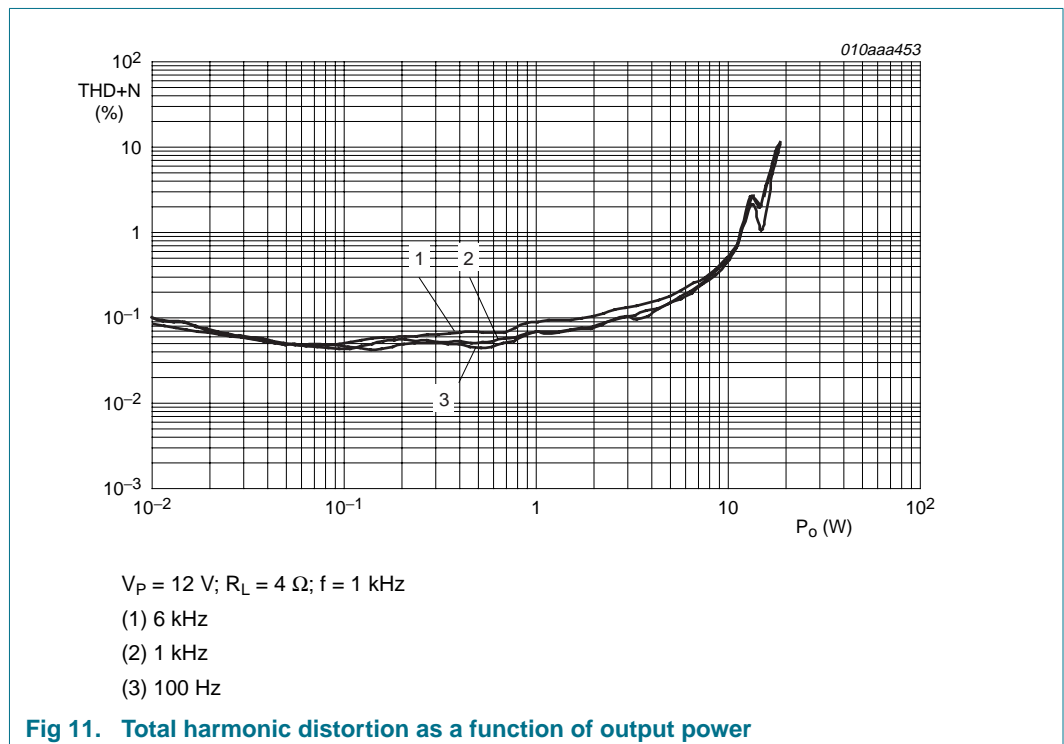
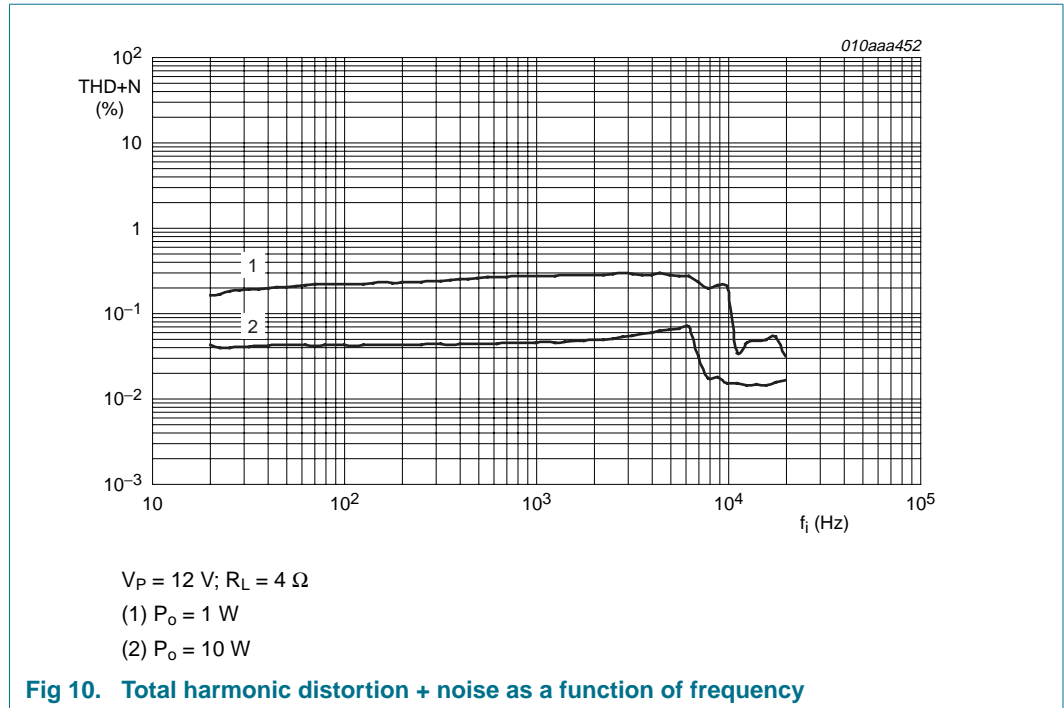
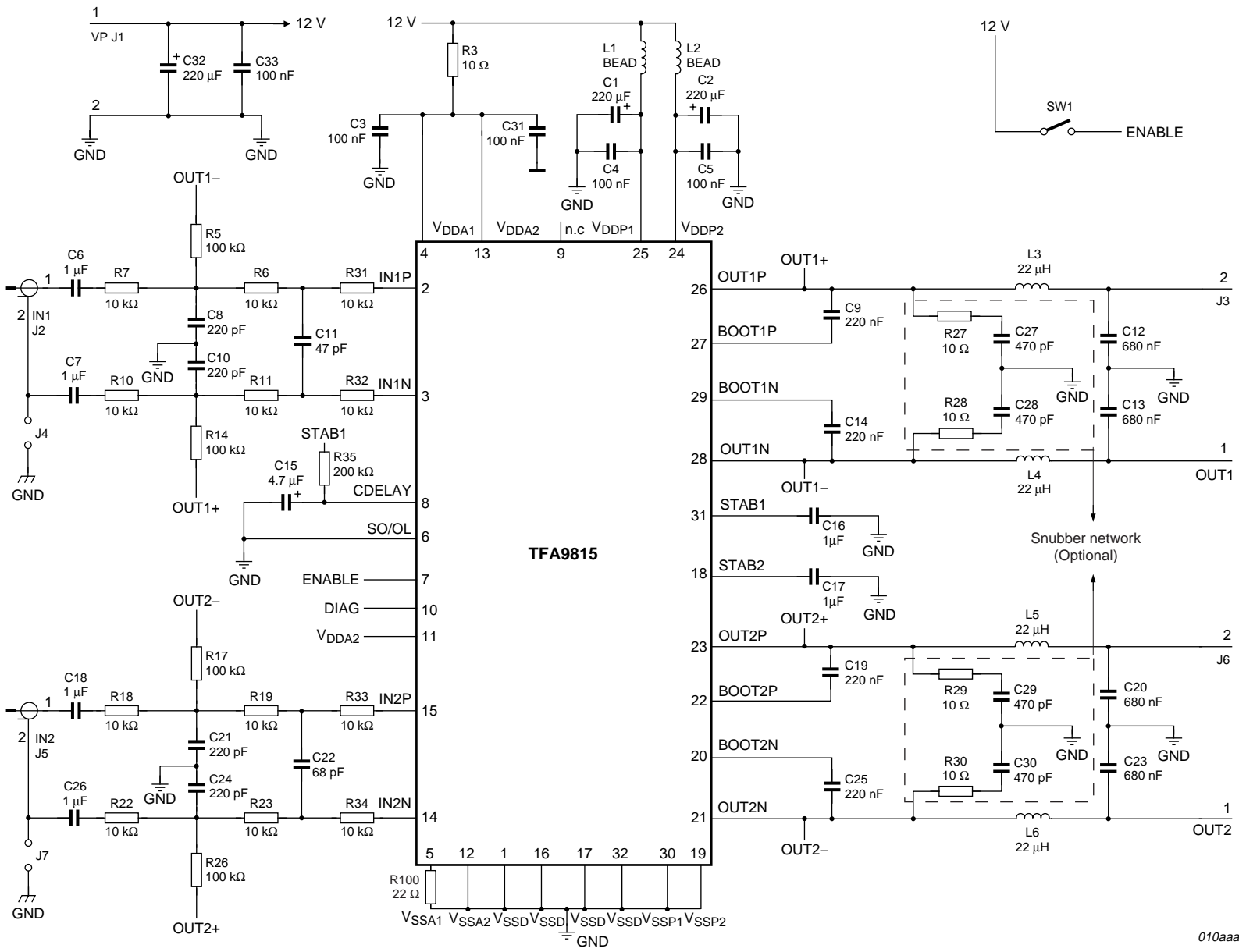


Fig 9. Gain as a function of frequency



### 13.7 Typical application diagram TFA9815

A typical application diagram with the TFA9815 supplied from an asymmetrical supply is shown in [Figure 12](#).



010aaa454

Fig 12. Typical application diagram TFA9815

### 13.8 Typical application: bill of materials

Table 14. Typical application: bill of materials

Item	Quantity	Reference	Part	Footprint
1	2	C1, C2.	220 mF/35 V	CE09-02R
2	5	C3, C4, C5, C31, C33.	100 nF/50 V	SMD 0805 X7R
3	2	C16, C17.	1 mF/50 V	SMD 1206 X7R
4	4	C6, C7, C18, C26	1 mF/25 V	MKT
5	4	C8, C10, C21, C24.	220 pF/25 V	SMD 0402 NP0
6	4	C9, C14, C19, C25.	220 nF/25 V	SMD 0805 X7R
7	1	C11	47 pF/25 V	SMD 0402 NP0
8	4	C12, C13, C20, C23.	680 nF/25 V	MKT
9	1	C22.	68 pF/25 V	SMD 0402 NP0
10	3	J1, J3, J6.	CON2	2 pins terminal
11	2	J2, J5.	CINCH	CINCH
12	2	J4, J7	Jumper	Closed on demo board only
13	2	L1, L2	BEAD	SMD 1206 Würth Elektronik DC < 0.5 $\Omega$ 10 MHz > 80 $\Omega$
14	1	R35	200 k $\Omega$ / 0.1 W / 5 %	SMD 0603
15	1	C15	4.7 $\mu$ F / 16 V	
16	4	L3, L4, L5, L6.	22 $\mu$ H	8RDY TOKO A7040HN-220M, 11RHBP TOKO A7503CY-220M or Sagami 7311NA-220M
17	5	R3	10 / 0.25 W / 5 %	SMD 1206
18	4	R5, R14, R17, R26.	100 k $\Omega$ / 0.1 W / 1 % for 20 dB 200 k / 0.1 W / 1 % for 26 dB	SMD 0603
19	12	R6, R7, R10, R11, R18, R19, R22, R23, R31, R32, R33, R34.	10 k $\Omega$ / 0.1 W / 1 %	SMD 0603
20	1	R100	22 $\Omega$ / 5 % / 0.1 W	SMD 0603
21	1	SW1	SC 1X1	Secme 090320901
22	1	U1	TFA9815T	SOT287-1 (SO32) NXP Semiconductors

**Remark:** The power supply requires at least a 1000  $\mu$ F capacitor.

Table 15. Snubber network: bill of materials

Item	Quantity	Reference	Part	Footprint
1	4	C27, C28, C29, C30	470 pF, 25 V	SMD 0805 X7R
2	4	R27, R28, R29, R30	10 / 0.25 W / 5 %	SMD 1206

14. Package outline

SO32: plastic small outline package; 32 leads; body width 7.5 mm

SOT287-1

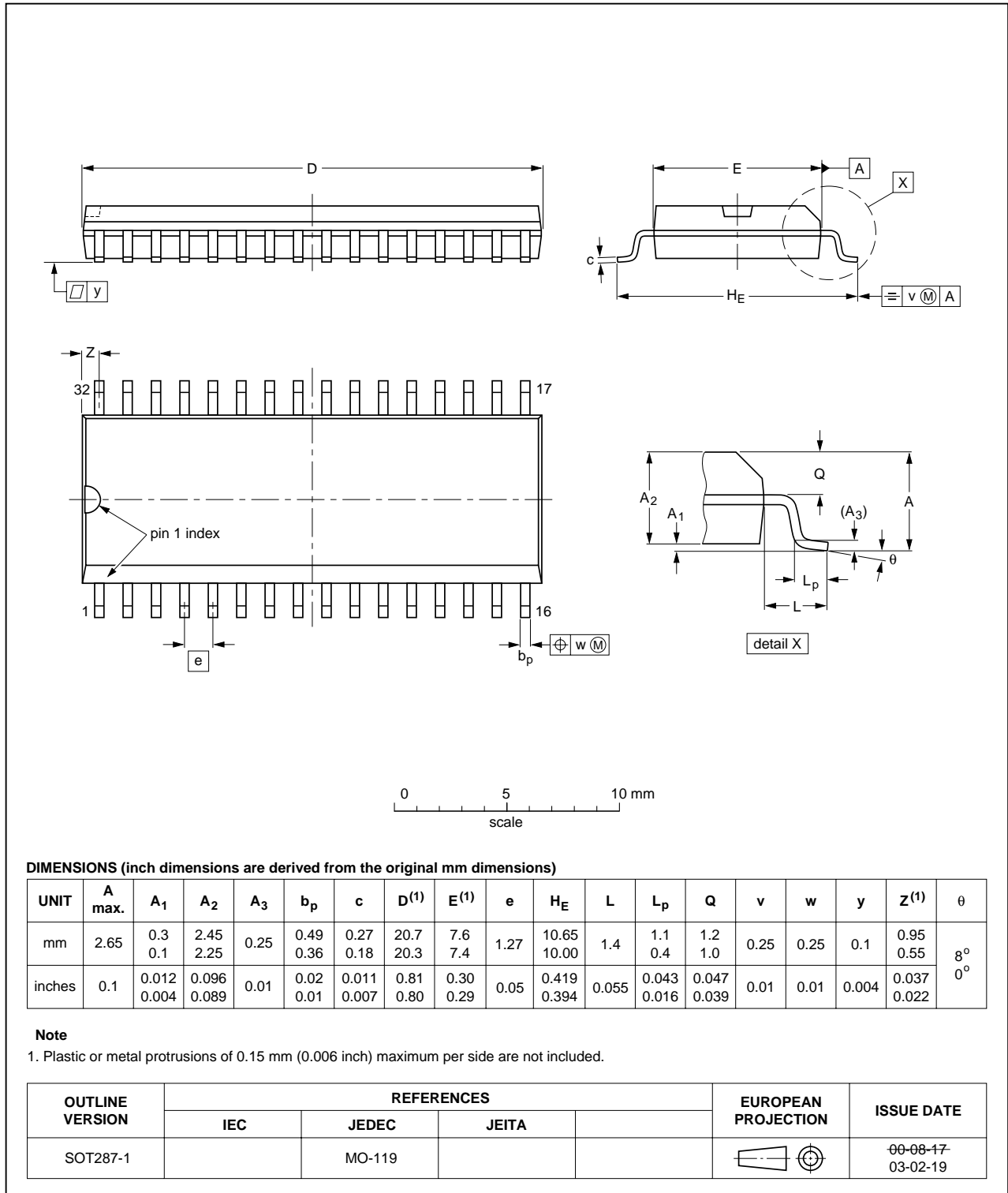


Fig 13. Package outline SOT287-1 (SO32)

## 15. Revision history

Table 16. Revision history

Document ID	Release date	Data sheet status	Change notice	Supersedes
TFA9815_1	20081216	Preliminary data sheet	-	-



## 16. Legal information

### 16.1 Data sheet status

Document status <sup>[1][2]</sup>	Product status <sup>[3]</sup>	Definition
Objective [short] data sheet	Development	This document contains data from the objective specification for product development.
Preliminary [short] data sheet	Qualification	This document contains data from the preliminary specification.
Product [short] data sheet	Production	This document contains the product specification.

[1] Please consult the most recently issued document before initiating or completing a design.

[2] The term 'short data sheet' is explained in section "Definitions".

[3] The product status of device(s) described in this document may have changed since this document was published and may differ in case of multiple devices. The latest product status information is available on the Internet at URL <http://www.nxp.com>.

### 16.2 Definitions

**Draft** — The document is a draft version only. The content is still under internal review and subject to formal approval, which may result in modifications or additions. NXP Semiconductors does not give any representations or warranties as to the accuracy or completeness of information included herein and shall have no liability for the consequences of use of such information.

**Short data sheet** — A short data sheet is an extract from a full data sheet with the same product type number(s) and title. A short data sheet is intended for quick reference only and should not be relied upon to contain detailed and full information. For detailed and full information see the relevant full data sheet, which is available on request via the local NXP Semiconductors sales office. In case of any inconsistency or conflict with the short data sheet, the full data sheet shall prevail.

### 16.3 Disclaimers

**General** — Information in this document is believed to be accurate and reliable. However, NXP Semiconductors does not give any representations or warranties, expressed or implied, as to the accuracy or completeness of such information and shall have no liability for the consequences of use of such information.

**Right to make changes** — NXP Semiconductors reserves the right to make changes to information published in this document, including without limitation specifications and product descriptions, at any time and without notice. This document supersedes and replaces all information supplied prior to the publication hereof.

**Suitability for use** — NXP Semiconductors products are not designed, authorized or warranted to be suitable for use in medical, military, aircraft, space or life support equipment, nor in applications where failure or malfunction of an NXP Semiconductors product can reasonably be expected to result in personal injury, death or severe property or environmental

damage. NXP Semiconductors accepts no liability for inclusion and/or use of NXP Semiconductors products in such equipment or applications and therefore such inclusion and/or use is at the customer's own risk.

**Applications** — Applications that are described herein for any of these products are for illustrative purposes only. NXP Semiconductors makes no representation or warranty that such applications will be suitable for the specified use without further testing or modification.

**Quick reference data** — The Quick reference data is an extract of the product data given in the Limiting values and Characteristics sections of this document, and as such is not complete, exhaustive or legally binding.

**Limiting values** — Stress above one or more limiting values (as defined in the Absolute Maximum Ratings System of IEC 60134) may cause permanent damage to the device. Limiting values are stress ratings only and operation of the device at these or any other conditions above those given in the Characteristics sections of this document is not implied. Exposure to limiting values for extended periods may affect device reliability.

**Terms and conditions of sale** — NXP Semiconductors products are sold subject to the general terms and conditions of commercial sale, as published at <http://www.nxp.com/profile/terms>, including those pertaining to warranty, intellectual property rights infringement and limitation of liability, unless explicitly otherwise agreed to in writing by NXP Semiconductors. In case of any inconsistency or conflict between information in this document and such terms and conditions, the latter will prevail.

**No offer to sell or license** — Nothing in this document may be interpreted or construed as an offer to sell products that is open for acceptance or the grant, conveyance or implication of any license under any copyrights, patents or other industrial or intellectual property rights.

### 16.4 Trademarks

Notice: All referenced brands, product names, service names and trademarks are the property of their respective owners.

## 17. Contact information

For more information, please visit: <http://www.nxp.com>

For sales office addresses, please send an email to: [salesaddresses@nxp.com](mailto:salesaddresses@nxp.com)

## 18. Contents

<b>1</b>	<b>General description</b> .....	<b>1</b>
<b>2</b>	<b>Features</b> .....	<b>1</b>
<b>3</b>	<b>Applications</b> .....	<b>1</b>
<b>4</b>	<b>Quick reference data</b> .....	<b>1</b>
<b>5</b>	<b>Ordering information</b> .....	<b>2</b>
<b>6</b>	<b>Block diagram</b> .....	<b>3</b>
<b>7</b>	<b>Pinning information</b> .....	<b>4</b>
7.1	Pinning .....	4
7.2	Pin description .....	4
<b>8</b>	<b>Functional description</b> .....	<b>5</b>
8.1	General .....	5
8.2	Interfacing .....	5
8.3	Input comparators .....	6
8.4	Diagnostic .....	6
8.5	Protections .....	7
8.6	Timing diagram .....	8
<b>9</b>	<b>Internal circuitry</b> .....	<b>9</b>
<b>10</b>	<b>Limiting values</b> .....	<b>12</b>
<b>11</b>	<b>Thermal characteristics</b> .....	<b>12</b>
<b>12</b>	<b>Characteristics</b> .....	<b>13</b>
12.1	Static characteristics .....	13
12.2	Dynamic characteristics .....	14
12.3	AC characteristics measured in typical application .....	14
<b>13</b>	<b>Application information</b> .....	<b>15</b>
13.1	Output power estimation .....	15
13.2	Output current limiting .....	16
13.3	Speaker configuration and impedance .....	16
13.4	Differential input .....	17
13.5	Single-ended input .....	17
13.6	Curves measured in a typical application .....	18
13.7	Typical application diagram TFA9815 .....	19
13.8	Typical application: bill of materials .....	21
<b>14</b>	<b>Package outline</b> .....	<b>23</b>
<b>15</b>	<b>Revision history</b> .....	<b>24</b>
<b>16</b>	<b>Legal information</b> .....	<b>25</b>
16.1	Data sheet status .....	25
16.2	Definitions .....	25
16.3	Disclaimers .....	25
16.4	Trademarks .....	25
<b>17</b>	<b>Contact information</b> .....	<b>25</b>
<b>18</b>	<b>Contents</b> .....	<b>26</b>

Please be aware that important notices concerning this document and the product(s) described herein, have been included in section 'Legal information'.



© NXP B.V. 2008.

All rights reserved.

For more information, please visit: <http://www.nxp.com>

For sales office addresses, please send an email to: [salesaddresses@nxp.com](mailto:salesaddresses@nxp.com)

Date of release: 16 December 2008

Document identifier: TFA9815\_1