

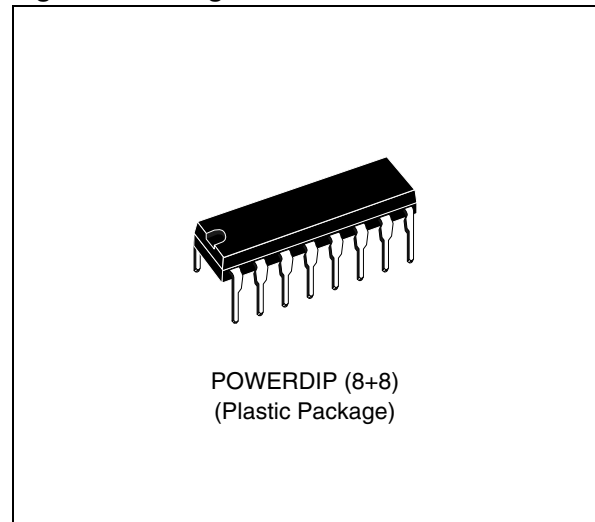


HORIZONTAL AND VERTICAL DEFLECTION MONITOR

FEATURES SUMMARY

- DIRECT LINE DARLINGTON DRIVE
- DIRECT FRAME-YOKE DRIVE ($\pm 1A$)
- COMPOSITE VIDEO SIGNAL INPUT CAPABILITY
- FRAME OUTPUT PROTECTION AGAINST SHORT CIRCUITS
- PLL
- HORIZONTAL OSCILLATOR FREQUENCY RANGE FROM 15kHz TO 100kHz
- VERTICAL OSCILLATOR FREQUENCY RANGE FROM 30Hz TO 120Hz
- VERY FEW EXTERNAL COMPONENTS
- VERY LOW COST POWER PACKAGE

Figure 1. Package



DESCRIPTION

The TEA2037A is an horizontal and vertical deflection circuit. It uses the same concept as TEA2117 but optimised for small screens, for a very low cost solution.

Figure 2. Pin Connections

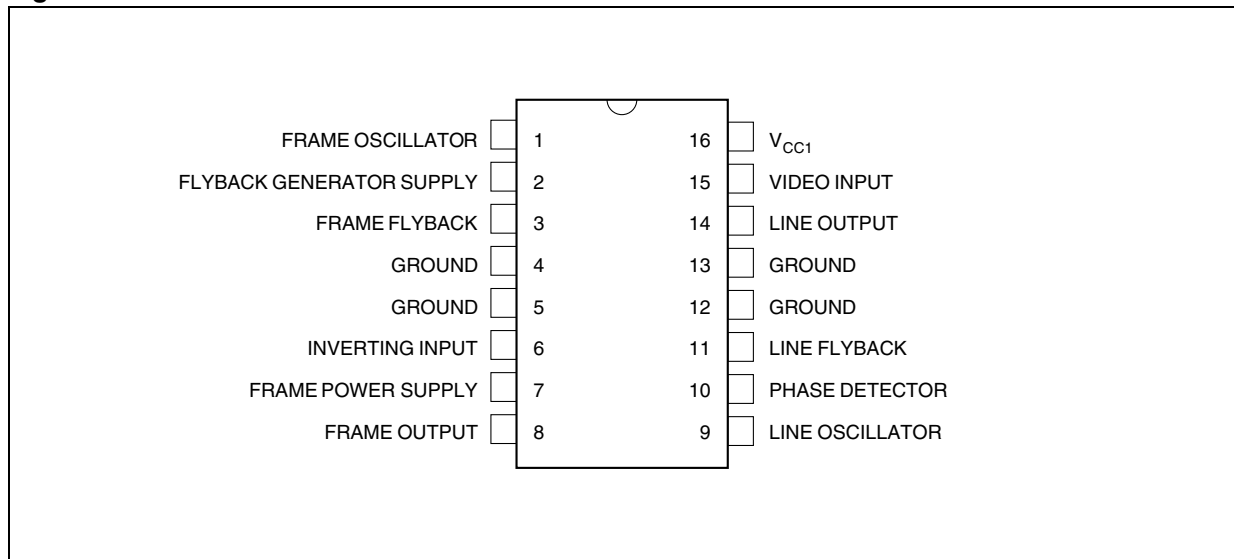


Figure 3. Block Diagram

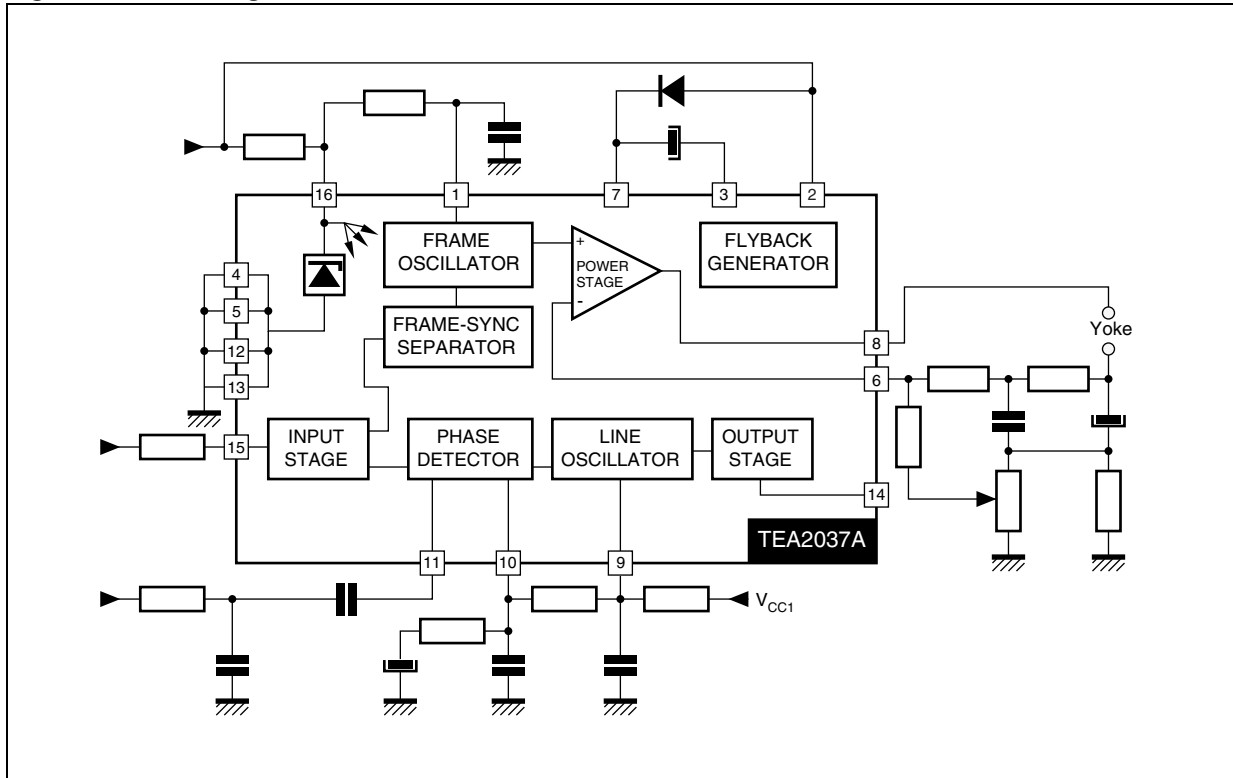


Table 1. Absolute Maximum Ratings

Symbol	Parameter	Value	Unit
V_{CC1}	Supply Voltage	30	V
V_2	Flyback Generator Supply Voltage	35	V
V_7	Frame Power Supply Voltage	60	V
I_{8nr}	Frame Output Current (non repetitive)	± 1.5	A
I_8	Frame Output Current (continuous)	± 1	A
V_{14}	Line Output Voltage (external)	60	V
I_{p14}	Line Output Peak Current	0.8	A
I_{C14}	Line Output Continuous Current	0.4	A
T_{stg}	Storage Temperature	-40 to 150	$^{\circ}\text{C}$
T_J	Max Operating Junction Temperature	+ 150	$^{\circ}\text{C}$

Table 2. Thermal Data

Symbol	Parameter	Value	Unit
$R_{th(j-c)}$	Junction-case Thermal Resistance	Max 15	$^{\circ}\text{C}/\text{W}$
$R_{th(j-a)}$	Junction-ambient Thermal Resistance (Soldered on a 35 μm thick 45cm 2 PC Board copper area)	Typ. 45	$^{\circ}\text{C}/\text{W}$
T_j	Recommended Junction Temperature	Max 120	$^{\circ}\text{C}$

ELECTRICAL CHARACTERISTICS ($T_{amb} = 25^{\circ}\text{C}$)**Table 3. Supply (shunt regulator) (Pin 16)**

Symbol	Parameter	Min.	Typ.	Max.	Unit
I_{CC1}	Supply Current	10		20	mA
V_{CC1} ΔV_{CC1}	Supply Voltage ($I_{CC1} = 15\text{mA}$) Voltage Variation (I_{CC1} : 10mA to 20mA)	9 -280	9.8 50	10.5 +280	V mV
LPS	Starting Threshold for Line Output Pulses			5	V

Table 4. Video Input (Pin 15)

Symbol	Parameter	Min.	Typ.	Max.	Unit
V_{15}	Reference Voltage ($I_{15} = -1\mu\text{A}$)	1.4	1.75	2	V
MWF	Minimum Width of Frame Pulse (When synchronized with TTL signal)	50			μs
V_{IN}	Sync Bottom to Black Level ($R_{SYNC\ 15} = 560\text{k}\Omega$)	0.2	0.3		V_{PP}

Table 5. Line Oscillator (Pin 9)

Symbol	Parameter	Min.	Typ.	Max.	Unit
LT9	Low Threshold Voltage	2.8	3.2	3.6	V
HT9	High Threshold Voltage	5.4	6.6	7.8	V
BI9	Bias Current		100		nA
DR9	Discharge Impedance	1.0	1.4	1.8	$\text{k}\Omega$
FLP1	Free Running Line Period ($R = 34.9\text{k}\Omega$ Tied to V_{CC1} , $C = 2.2\text{nF}$ Tied to Ground)	62	64	66	μs
FLP2	Free Running Line Period ($R = 13.7\text{k}\Omega$, $C = 2.2\text{nF}$)		27		μs
OT9	Oscillator Threshold for Line Output Pulse Triggering		4.6		V
$\frac{\Delta F}{\Delta \theta}$	Horizontal Frequency Drift with Temperature (see application Figure 11)		2		$\text{Hz}/^{\circ}\text{C}$

Table 6. Line Output (Pin 14)

Symbol	Parameter	Min.	Typ.	Max.	Unit
LV14	Saturation Voltage ($I_{14} = 200\text{mA}$)		1.1	1.6	V
OPW	Output Pulse Width (line period = $64\mu\text{s}$)	20	22	24	μs

Table 7. Line Flyback Input (Pin 11)

Symbol	Parameter	Min.	Typ.	Max.	Unit
V11	Bias Voltage	1.8	2.4	3.2	V
Z11	Input Impedance	4.5	5.8	8	$\text{k}\Omega$

Table 8. Phase Detector

Symbol	Parameter	Min.	Typ.	Max.	Unit
I ₁₀	Output Current During Synchro Pulse	250	450	800	μA
RI10	Current Ratio (positive/negative)	0.95	1	1.05	
LI10	Leakage Current	-2		+2	μA
CV10	Control Range Voltage	2.60		7.10	V

Table 9. Frame Oscillator (Pin 1)

Symbol	Parameter	Min.	Typ.	Max.	Unit
LT1	Low Threshold Voltage	1.6	2.0	2.3	V
HT1	High Threshold Voltage	2.6	3.1	3.6	V
BI1	Bias Current		30		nA
DR1	Discharge Impedance	300	470	700	kΩ
FFP1	Free Running Line Period (R = 845kΩ Tied to V _{CC1} , C = 180nF Tied to Ground)	20.5	23	25	ms
MFP	Minimum Frame Period (I ₁₅ = -100μA) (with the Same RC)		12.8		ms
FFP2	Free Running Line Period (R = 408kΩ, C = 220nF)		14.3		ms
FPR	Frame Period Ratio =	1.7	1.8	1.9	
FG	Frame Saw-tooth Gain Between Pin 1 and non Inverting Input of the Frame Amplifier		-0.4		
$\frac{\Delta F}{\Delta \theta}$	Vertical Frequency Drift with Temperature (see application Figure 11)		4.10 ⁻³		Hz/°C

Table 10. Frame Power Supply (Pin 7)

Symbol	Parameter	Min.	Typ.	Max.	Unit
V ₇	Operating Voltage (with flyback generator)	10		58	V
I ₇	Supply Current (V ₇ = 30V)			22	mA

Table 11. Flyback Generator Supply (Pin 2)

Symbol	Parameter	Min.	Typ.	Max.	Unit
V ₂	Operating Voltage	10		30	V

Table 12. Frame Output (Pin 8)

Symbol	Parameter	Min.	Typ.	Max.	Unit
LV8A LV8B	Saturation Voltage to Ground ($V_7 = 30V$) $I_8 = 0.1$ $I_8 = 1A$		0.06 0.37	0.6 1	V V
HV8A HV8B	Saturation Voltage to V_7 ($V_7 = 30V$) $I_8 = -0.1$ $I_8 = -1A$		1.3 1.7	1.6 2.4	V V
FV8A FV8B	Saturation Voltage to V_7 in Flyback Mode ($V_8 > V_7$) $I_8 = 0.1$ $I_8 = 1A$		1.6 2.5	2.1 4.5	V V

Table 13. Flyback Generator (Pin 2 and 3)

Symbol	Parameter	Min.	Typ.	Max.	Unit
F2DA F2DB FSVA FSVB	Flyback Transistor on (output = high state) ($V_2 = 30V$) $V_{3/2}$ with $I_{3 \rightarrow 2} = 0.1A$ $I_{3 \rightarrow 2} = 1A$ $V_{2/3}$ with $I_{3 \rightarrow 2} = 0.1$ $I_{3 \rightarrow 2} = 1A$		1.5 3.0 0.8 2.2	2.1 4.5 1.1 4.5	V V V V
	Flyback Transistor off (output = $V_7 - 8V$) ($V_7 = V_2 = 30V$)				
FCI	Leakage Current Pin 2			170	μA

The TEA2037A performs all the video and power functions required to provide signals for the direct drive of the line darlington and frame yoke.

It contains:

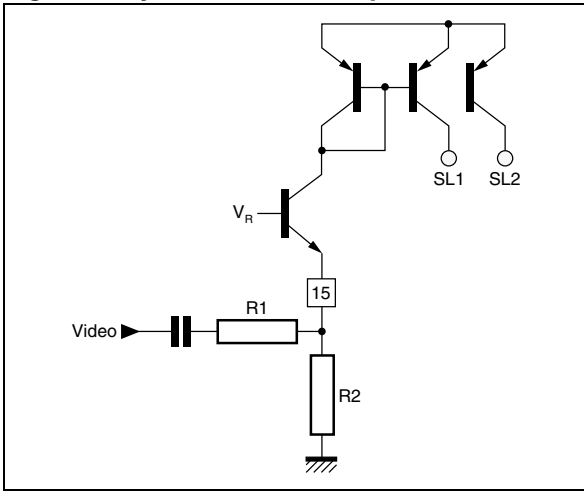
- A shunt regulator
- A synchronization separator
- An integrated frame separator without external components
- A saw-tooth generator for the frame
- A power amplifier for direct drive of frame yoke (short circuit protected)

- An open collector output for the line darlington drive
- A line phase detector and a voltage control oscillator.

The slice level of sync-separation is fixed by value of the external resistors R_1 and R_2 . V_R is an internally fixed voltage.

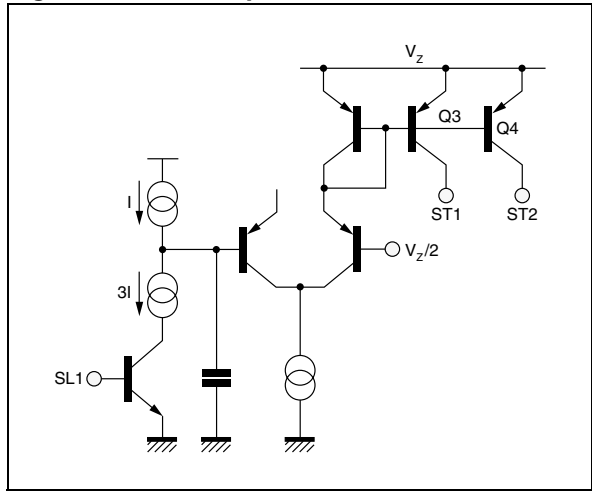
The sync-pulse allows the discharge of the capacitor by a 2×1 current. A line sync-pulse is not able to discharge the capacitor under $V_Z/2$. A frame sync pulse permits the complete discharge of the capacitor, so during the frame sync-pulse Q3 and Q4 provide current for the other parts of the circuit.

Figure 4. Synchronization Separator Circuit



The oscillator thresholds are internally fixed by resistors. The discharge of the capacitor depends on

Figure 5. Frame Separator



the internal resistor R4. The control voltage is applied on resistor R5.

Figure 6. Line Oscillator

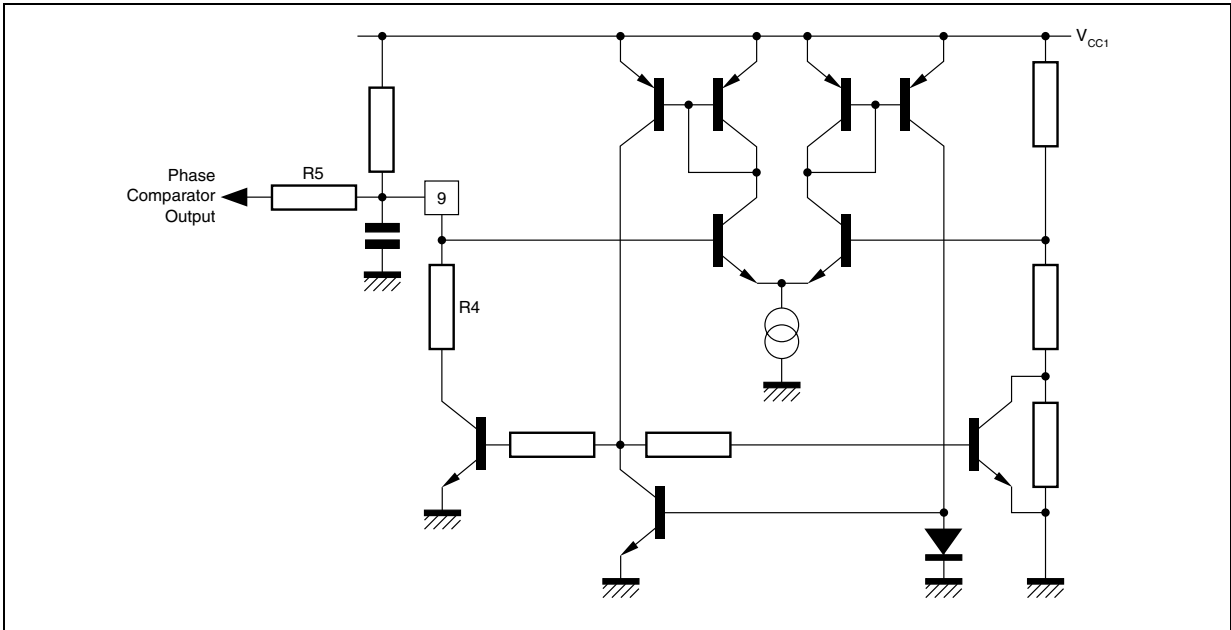
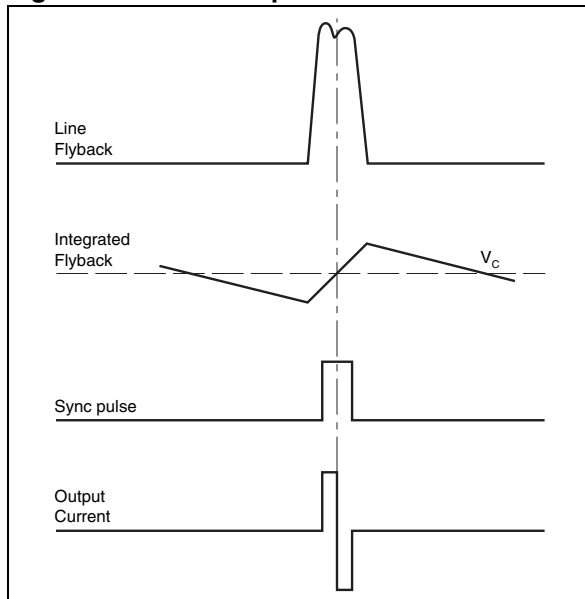
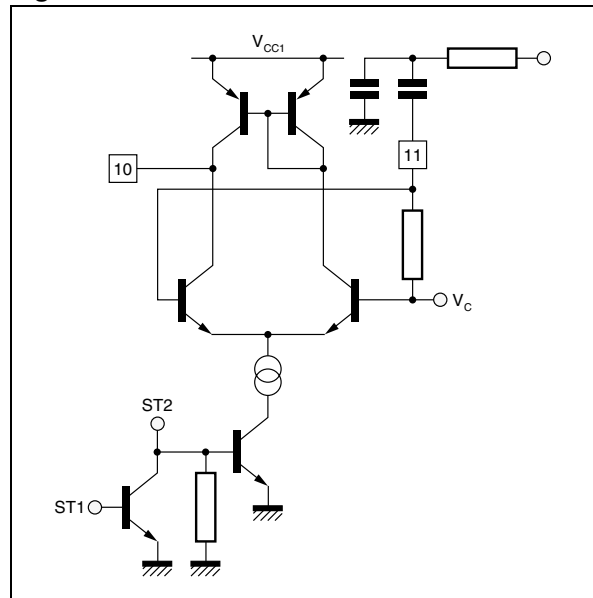


Figure 7. Phase Comparator

The sync-pulse drives the current in the comparator. The line flyback integrated by the external network gives on pin 11 a saw tooth, the DC offset of this saw tooth is fixed by V_c . The comparator output provides a positive current for the part of the signal on pin 11 greater than to V_c and a negative current for the other part. When the line flyback and

the video signal are synchronized, the output of the comparator is an alternatively negative and positive current. The frame sync-pulse inhibits the comparator to prevent frequency drift of the line oscillator on the frame beginning.

Figure 8.

Line Output (pin 14)

It is an open collector output which is able to drive pulse current of 800mA for a rapid discharging of the darlington base. The output pulse time is 22µs for a 64µs period.

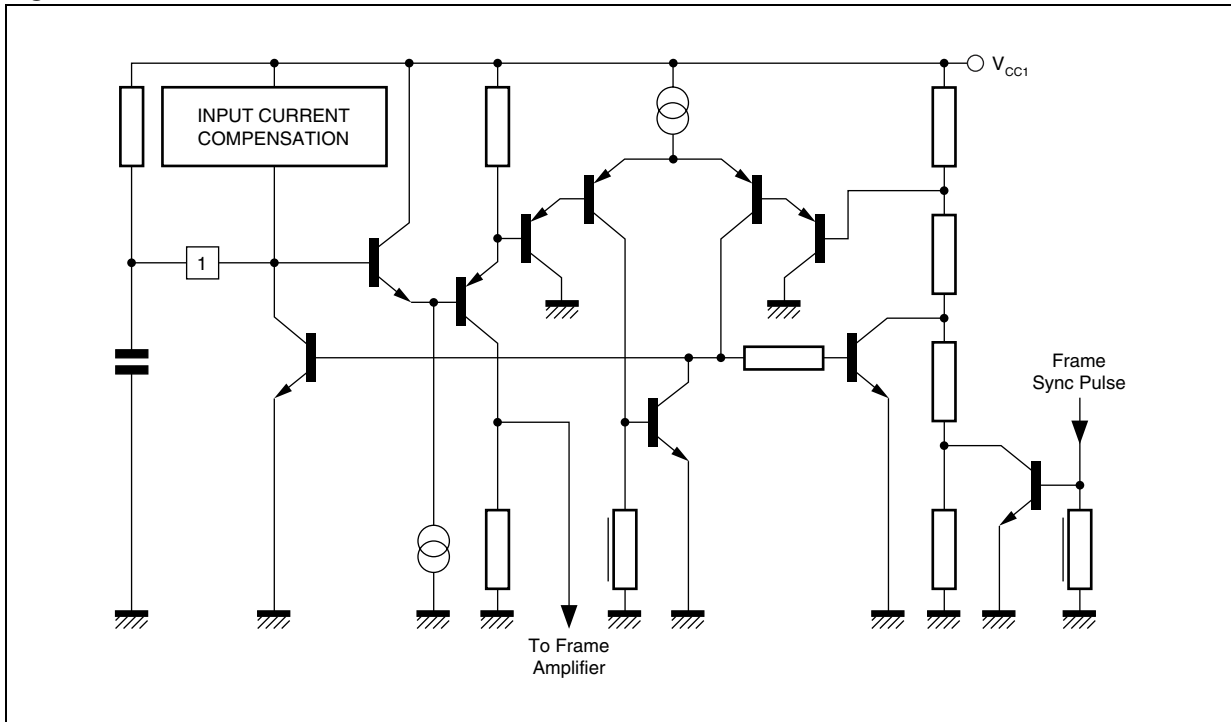
The oscillator thresholds are internally fixed by resistors. The oscillator is synchronized during the

last half free run period. The input current during the charge of the capacitor is less than 100nA.

Frame Output Amplifier

This amplifier is able to drive directly the frame yoke. Its output is short circuit and overload protected; it contains also a thermal protection.

Figure 9. Frame Oscillator



TYPICAL APPLICATION FOR DISPLAY UNITS

Figure 10. Application without flyback generator and with sync-pulse drive; yoke: 72mH, 40Ω

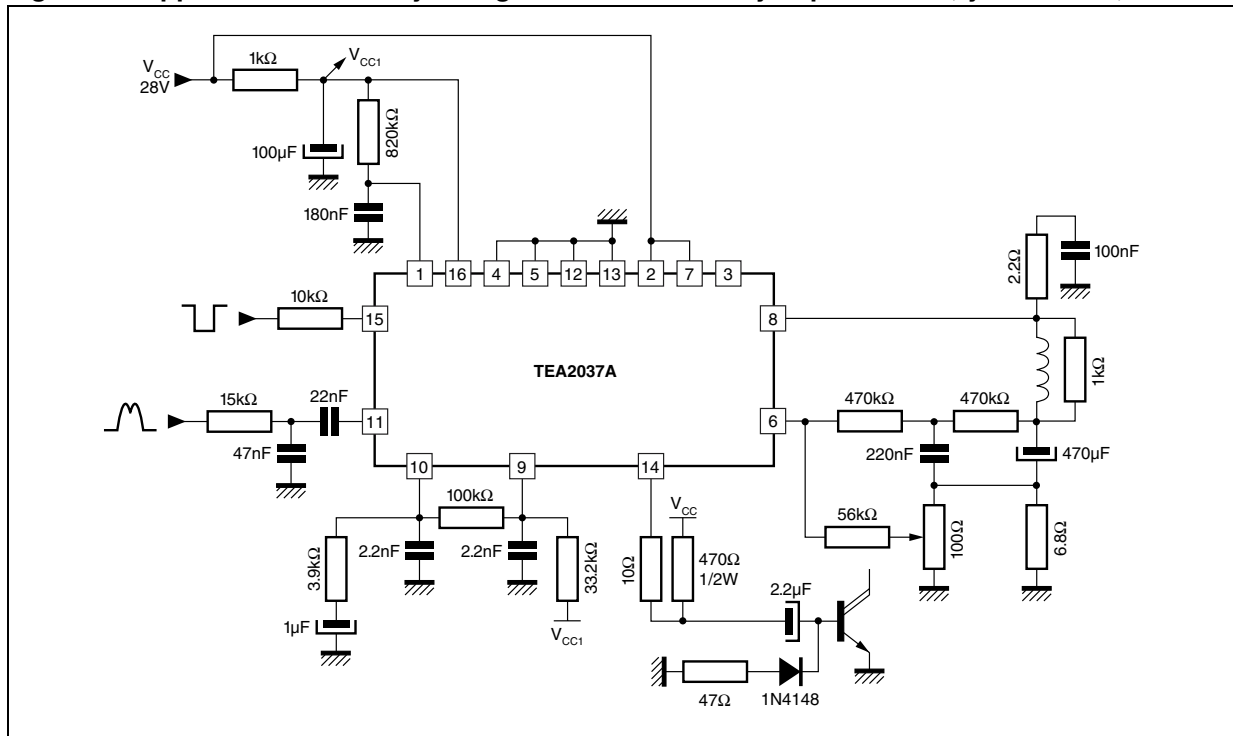
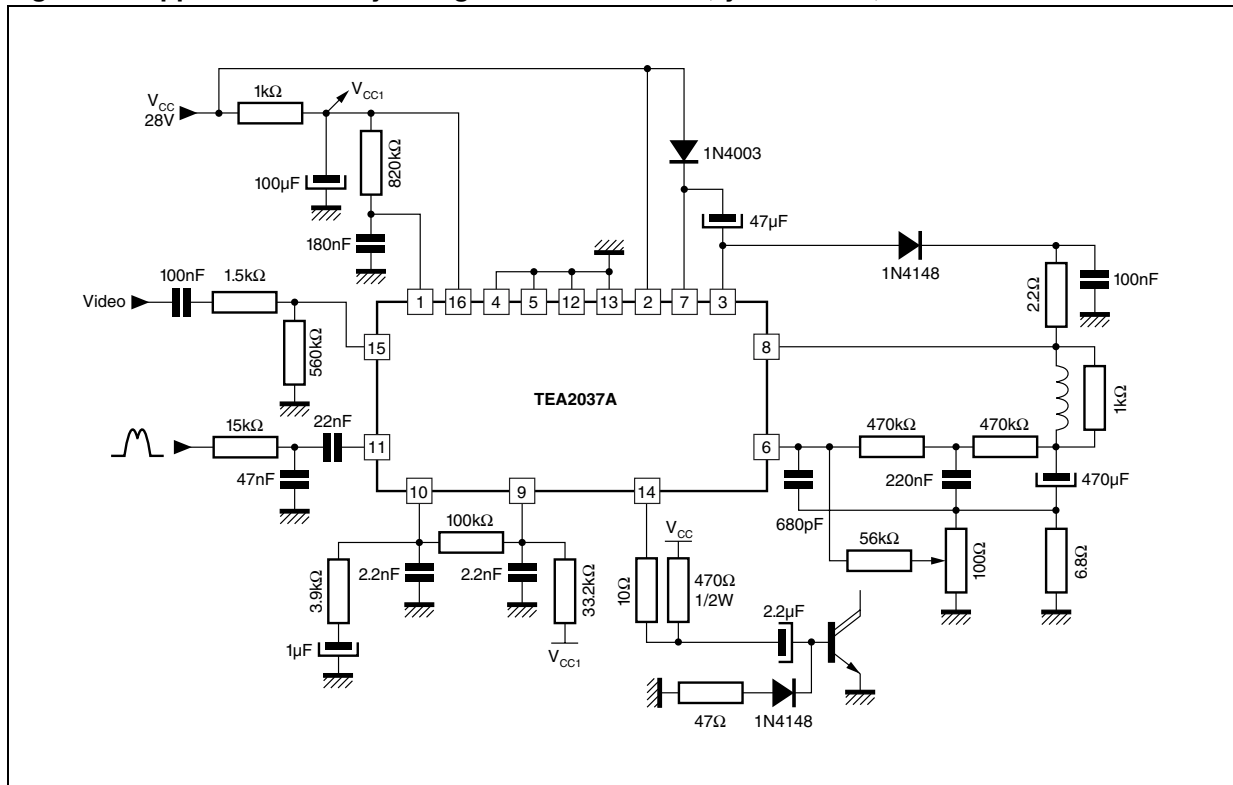


Figure 11. Application with flyback generator and video; yoke: 72mH, 40Ω

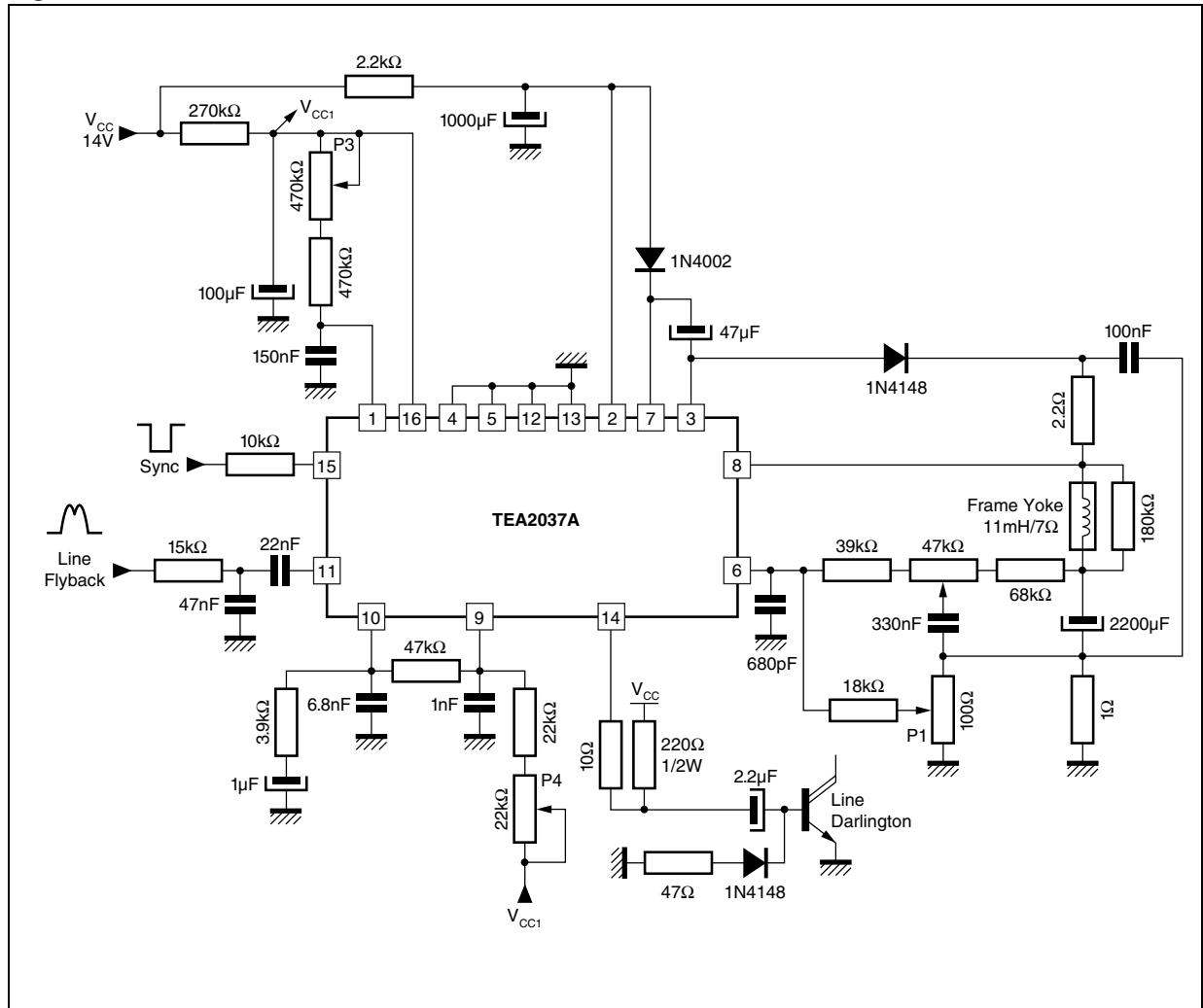


TYPICAL APPLICATION FOR HIGH FREQUENCY MONITOR

Table 14. Characteristics

<ul style="list-style-type: none"> • Screen: 14" Color • Frame deflection yoke: 11mH, 7Ω, 750mA peak-to-peak • V_{CC} = + 14V with flyback generator • Frame flyback time: 0.6ms • Vertical frequency: 72Hz • Vertical free-running period: 16ms (adjustable) • Horizontal frequency: 35kHz (adjustable) • Line flyback time: 5.5μs 	<ul style="list-style-type: none"> • Capture range: ± 5μs (@ sync pulse = 4.7μs) • Input signal: negative TTL sync (line + frame) • Dissipated power: 1.4W (heatsink required) • Adjustments: <ul style="list-style-type: none"> - Vertical amplitude - Vertical Linearity - Vertical frequency - Horizontal frequency
---	---

Figure 12. Characteristics



PART NUMBERING**Table 15. Order Codes**

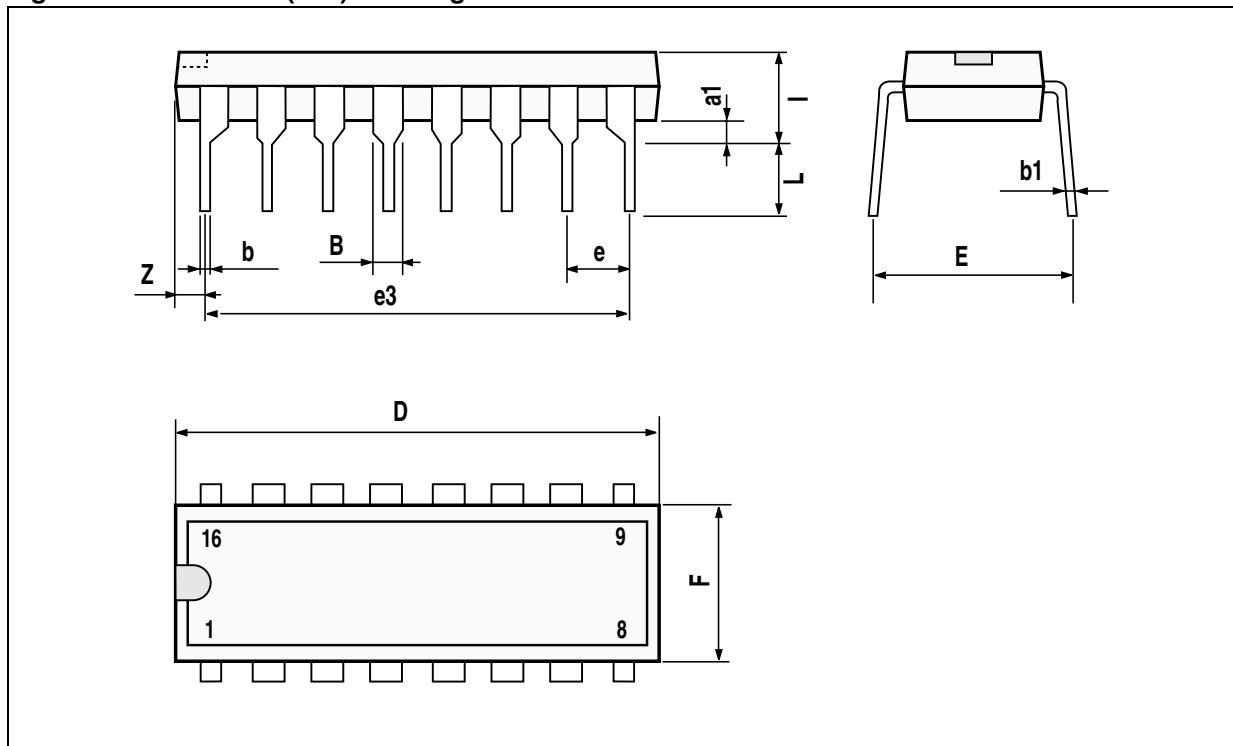
Part Number	Package	Temperature Range
TEA2037A	POWERDIP (8+8)	-25 to 85 °C

PACKAGE MECHANICAL

Table 16. POWERDIP(8+8) - Mechanical Data

Symbol	millimeters			inches		
	Min	Typ	Max	Min	Typ	Max
a1	0.51			0.020		
B	0.85		1.4	0.033		0.055
b		0.5			0.020	
b1	0.38		0.5	0.015		0.020
D			20			0.787
E		8.8			0.346	
e		2.54			0.100	
e3		17.78			0.700	
F			7.1			0.280
i			5.1			0.201
L		3.3			0.130	
Z			1.27			0.050

Figure 13. POWERDIP(8+8) - Package Dimensions



Note: Drawing is not to scale

REVISION HISTORY**Table 17. Revision History**

Date	Revision	Description of Changes
September-1996	1	First Issue
13-May-2004	2	Stylesheet update. No content change.

Information furnished is believed to be accurate and reliable. However, STMicroelectronics assumes no responsibility for the consequences of use of such information nor for any infringement of patents or other rights of third parties which may result from its use. No license is granted by implication or otherwise under any patent or patent rights of STMicroelectronics. Specifications mentioned in this publication are subject to change without notice. This publication supersedes and replaces all information previously supplied. STMicroelectronics products are not authorized for use as critical components in life support devices or systems without express written approval of STMicroelectronics.

The ST logo is a registered trademark of STMicroelectronics.
All other names are the property of their respective owners

© 2004 STMicroelectronics - All rights reserved

STMicroelectronics GROUP OF COMPANIES

Australia - Belgium - Brazil - Canada - China - Czech Republic - Finland - France - Germany - Hong Kong - India - Israel - Italy - Japan -
Malaysia - Malta - Morocco - Singapore - Spain - Sweden - Switzerland - United Kingdom - United States

www.st.com