

TOSHIBA CMOS Digital Integrated Circuit Silicon Monolithic

TC74HC4051AP, TC74HC4051AF, TC74HC4051AFT TC74HC4052AP, TC74HC4052AF, TC74HC4052AFT TC74HC4053AP, TC74HC4053AF, TC74HC4053AFN, TC74HC4053AFT

TC74HC4051AP/AF/AFT

8-Channel Analog Multiplexer/Demultiplexer

TC74HC4052AP/AF/AFT

Dual 4-Channel Analog Multiplexer/Demultiplexer

TC74HC4053AP/AF/AFN/AFT

Triple 2-Channel Analog Multiplexer/Demultiplexer

The TC74HC4051A/4052A/4053A are high speed CMOS ANALOG MULTIPLEXER/DEMULTIPLEXER fabricated with silicon gate C²MOS technology. They achieve the high speed operation similar to equivalent LSTTL while maintaining the CMOS low power dissipation.

The TC74HC4051A has an 8 channel configuration, the TC74HC4052A has a 4 channel × 2 configuration and the TC74HC4053A has a 2 channel × 3 configuration.

The digital signal to the control terminal turns “ON” the corresponding switch of each channel a large amplitude signal (V_{CC} – V_{EE}) can then be switched by the small logical amplitude (V_{CC} – GND) control signal.

For example, in the case of V_{CC} = 5 V, GND = 0 V, V_{EE} = -5 V, signals between -5 V and +5 V can be switched from the logical circuit with a single power supply of 5 V. As the ON-resistance of each switch is low, they can be connected to circuits with low input impedance.

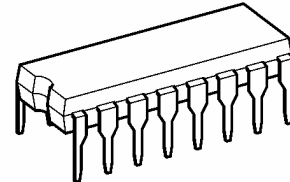
All inputs are equipped with protection circuits against static discharge or transient excess voltage.

Features

- High speed: t_{pd} = 15 ns (typ.) at V_{CC} = 5 V, V_{EE} = 0 V
- Low power dissipation: I_{CC} = 4 μA (max) at T_a = 25°C
- High noise immunity: V_{NIH} = V_{NIL} = 28% V_{CC} (min)
- Low ON resistance: R_{ON} = 50 Ω (typ.) at V_{CC} – V_{EE} = 9 V
- High noise immunity: THD = 0.02% (typ.) at V_{CC} – V_{EE} = 9 V
- Pin and function compatible with 4051/4052/4053B

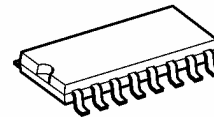
Note: xxxFN (JEDEC SOP) is not available in Japan.

TC74HC4051AP, TC74HC4052AP, TC74HC4053AP



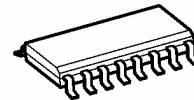
DIP16-P-300-2.54A

TC74HC4051AF, TC74HC4052AF, TC74HC4053AF



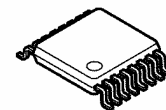
SOP16-P-300-1.27A

TC74HC4053AFN



SOL16-P-150-1.27

TC74HC4051AFT, TC74HC4052AFT, TC74HC4053AFT

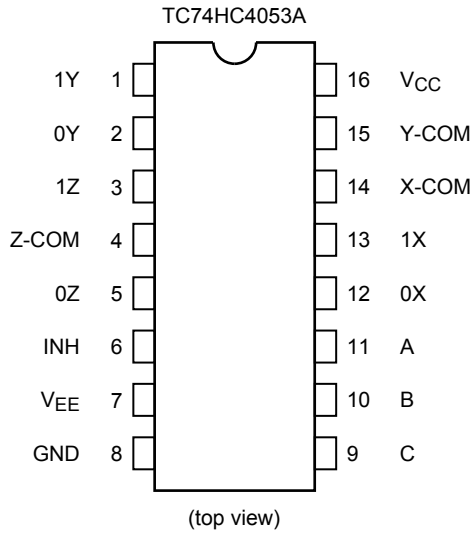
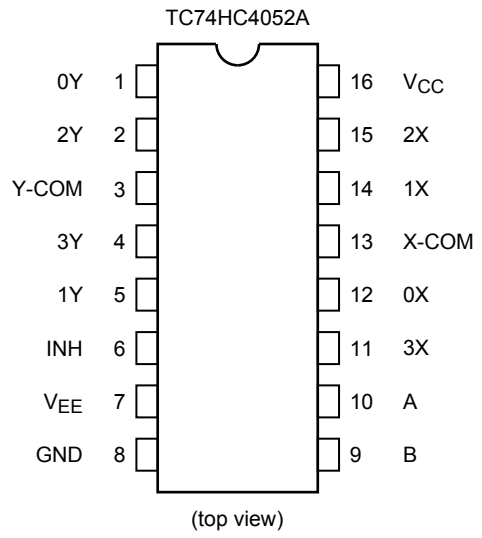
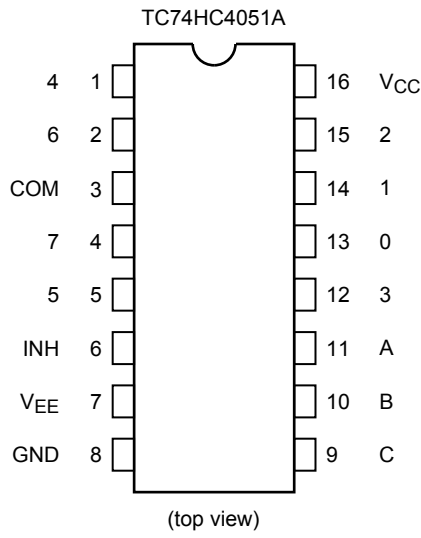


TSSOP16-P-0044-0.65A

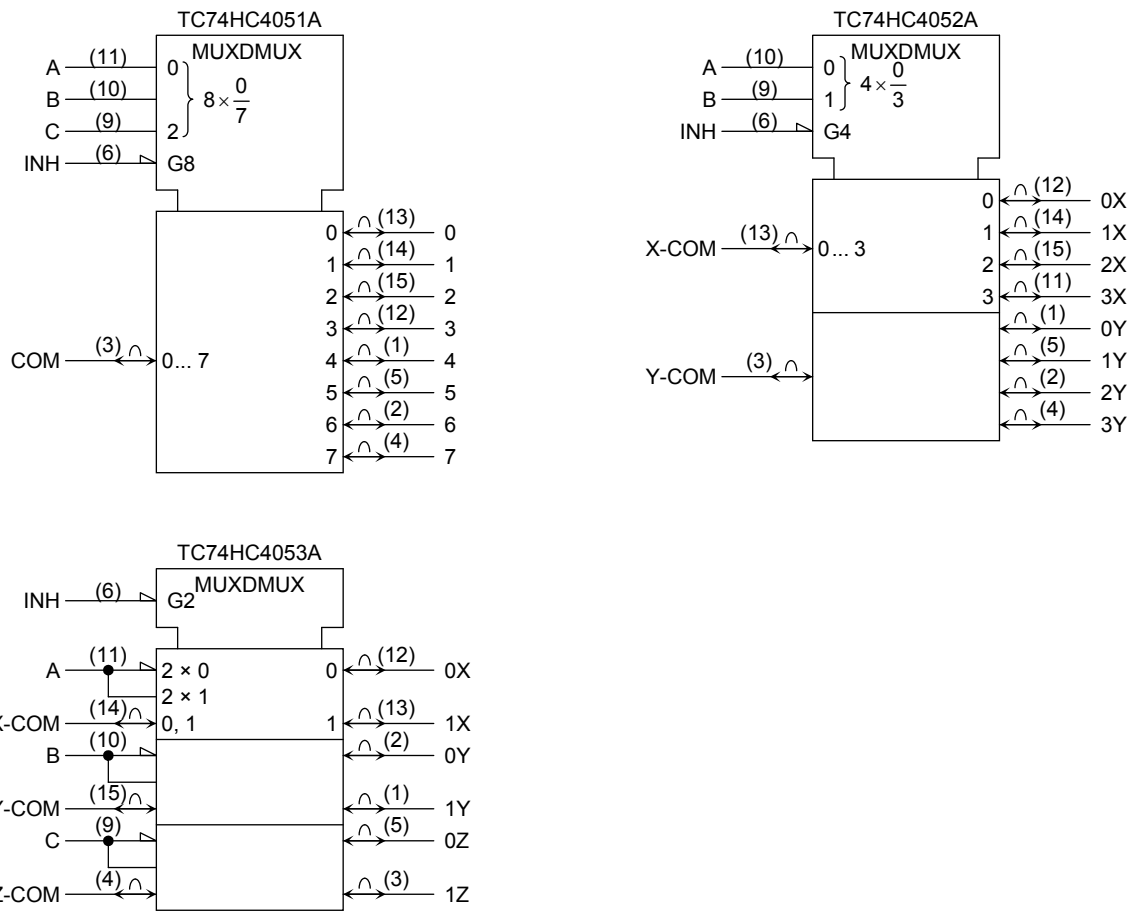
Weight

DIP16-P-300-2.54A	: 1.00 g (typ.)
SOP16-P-300-1.27A	: 0.18 g (typ.)
SOL16-P-150-1.27	: 0.13 g (typ.)
TSSOP16-P-0044-0.65A	: 0.06 g (typ.)

Pin Assignment



IEC Logic Symbol



Truth Table

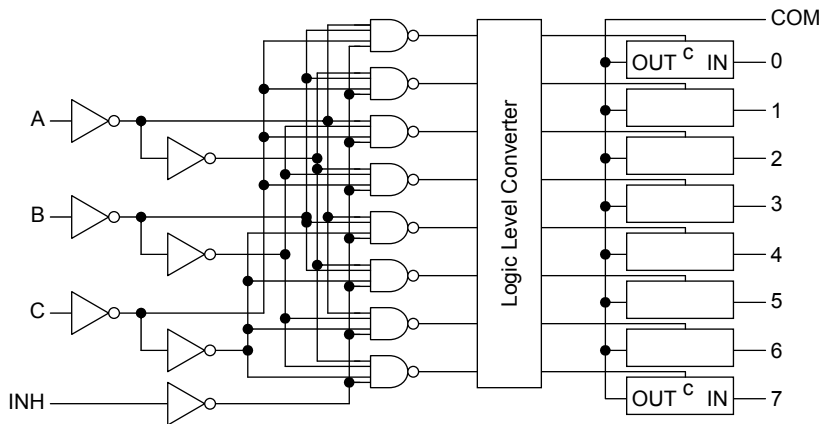
Control Inputs				"ON" Channel		
Inhibit	C*	B	A	HC4051A	HC4052A	HC4053A
L	L	L	L	0	0X, 0Y	0X, 0Y, 0Z
L	L	L	H	1	1X, 1Y	1X, 0Y, 0Z
L	L	H	L	2	2X, 2Y	0X, 1Y, 0Z
L	L	H	H	3	3X, 3Y	1X, 1Y, 0Z
L	H	L	L	4	—	0X, 0Y, 1Z
L	H	L	H	5	—	1X, 0Y, 1Z
L	H	H	L	6	—	0X, 1Y, 1Z
L	H	H	H	7	—	1X, 1Y, 1Z
H	X	X	X	None	None	None

X: Don't care

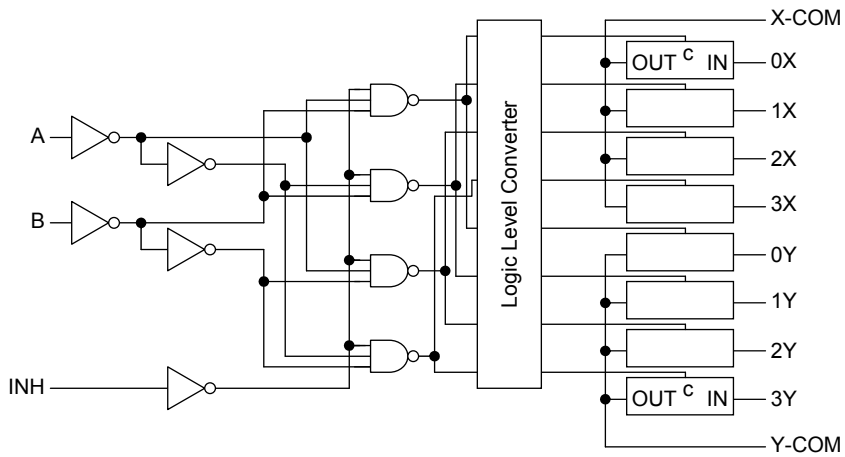
*: Except HC4052A

System Diagram

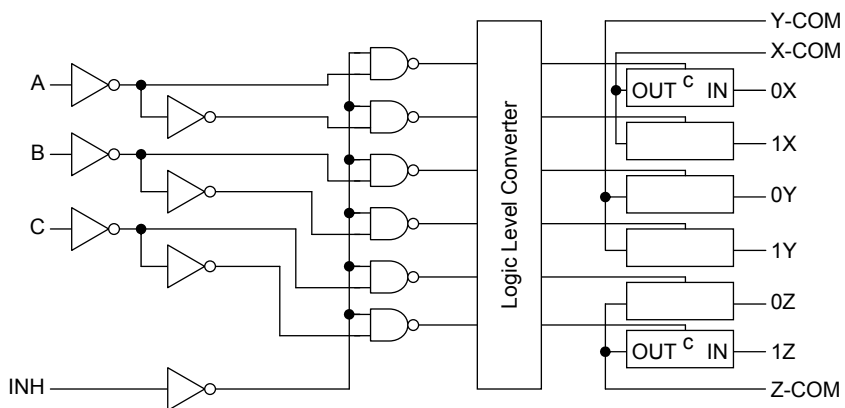
TC74HC4051A



TC74HC4052A



TC74HC4053A



Absolute Maximum Ratings (Note 1)

Characteristics	Symbol	Rating	Unit
Supply voltage range	V_{CC}	-0.5 to 7	V
Supply voltage range	$V_{CC}-V_{EE}$	-0.5 to 13	V
Control input voltage	V_{IN}	-0.5 to $V_{CC} + 0.5$	V
Switch I/O voltage	$V_{I/O}$	$V_{EE} - 0.5$ to $V_{CC} + 0.5$	V
Control input diode current	I_{ICK}	± 20	mA
I/O diode current	I_{OK}	± 20	mA
Switch through current	I_T	± 25	mA
DC V_{CC} or ground current	I_{CC}	± 50	mA
Power dissipation	P_D	500 (DIP) (Note 2)/180 (SOP, TSSOP)	mW
Storage temperature	T_{stg}	-65 to 150	$^{\circ}C$

Note 1: Exceeding any of the absolute maximum ratings, even briefly, lead to deterioration in IC performance or even destruction.

Using continuously under heavy loads (e.g. the application of high temperature/current/voltage and the significant change in temperature, etc.) may cause this product to decrease in the reliability significantly even if the operating conditions (i.e. operating temperature/current/voltage, etc.) are within the absolute maximum ratings and the operating ranges.

Please design the appropriate reliability upon reviewing the Toshiba Semiconductor Reliability Handbook ("Handling Precautions"/"Derating Concept and Methods") and individual reliability data (i.e. reliability test report and estimated failure rate, etc).

Note 2: 500 mW in the range of $T_a = -40$ to $65^{\circ}C$. From $T_a = 65$ to $85^{\circ}C$ a derating factor of -10 mW/ $^{\circ}C$ should be applied up to 300 mW.

Operating Ranges (Note)

Characteristics	Symbol	Rating	Unit
Supply voltage range	V_{CC}	2 to 6	V
Supply voltage range	V_{EE}	-6 to 0	V
Supply voltage range	$V_{CC}-V_{EE}$	2 to 12	V
Control input voltage	V_{IN}	0 to V_{CC}	V
Switch I/O voltage	$V_{I/O}$	V_{EE} to V_{CC}	V
Operating temperature	T_{opr}	-40 to 85	$^{\circ}C$
Control input rise and fall time	t_r, t_f	0 to 1000 ($V_{CC} = 2.0$ V) 0 to 500 ($V_{CC} = 4.5$ V) 0 to 400 ($V_{CC} = 6.0$ V)	ns

Note: The operating ranges must be maintained to ensure the normal operation of the device. Unused control inputs must be tied to either V_{CC} or GND.

Electrical Characteristics

DC Characteristics

Characteristics	Symbol	Test Condition		Ta = 25°C			Ta = -40 to 85°C		Unit	
		V _{EE} (V)	V _{CC} (V)	Min	Typ.	Max	Min	Max		
High-level control input voltage	V _{IHC}	—	—	2.0	1.50	—	—	1.50	—	V
				4.5	3.15	—	—	3.15	—	
				6.0	4.20	—	—	4.20	—	
Low-level control input voltage	V _{ILC}	—	—	2.0	—	—	0.50	—	0.50	V
				4.5	—	—	1.35	—	1.35	
				6.0	—	—	1.80	—	1.80	
ON resistance	R _{ON}	V _{IN} = V _{ILC} or V _{IHC} V _{I/O} = V _{CC} to V _{EE} I _{I/O} ≤ 2 mA	GND	4.5	—	85	180	—	225	Ω
			-4.5	4.5	—	55	120	—	150	
			-6.0	6.0	—	50	100	—	125	
		GND	V _{IN} = V _{ILC} or V _{IHC} V _{I/O} = V _{CC} or V _{EE} I _{I/O} ≤ 2 mA	2.0	—	150	—	—	—	
			4.5	—	70	150	—	190		
			-4.5	4.5	—	50	100	—	125	
-6.0	6.0	—	45	80	—	100				
Difference of ON resistance between switches	ΔR _{ON}	V _{IN} = V _{ILC} or V _{IHC} V _{I/O} = V _{CC} to V _{EE} I _{I/O} ≤ 2 mA	GND	4.5	—	10	30	—	35	Ω
			-4.5	4.5	—	5	12	—	15	
			-6.0	6.0	—	5	10	—	12	
Input/output leakage current (switch off)	I _{OFF}	V _{OS} = V _{CC} or GND V _{IS} = GND or V _{CC} V _{IN} = V _{ILC} or V _{IHC}	GND	6.0	—	—	±60	—	±600	nA
			-6.0	6.0	—	—	±100	—	±1000	
			GND	V _{OS} = V _{CC} or GND V _{IN} = V _{ILC} or V _{IHC}	6.0	—	—	±60	—	
-6.0	6.0	—		—	±100	—	±1000			
Switch input leakage current (switch on)	I _{Iz}	V _{OS} = V _{CC} or GND V _{IN} = V _{ILC} or V _{IHC}	GND	6.0	—	—	±60	—	±600	nA
			-6.0	6.0	—	—	±100	—	±1000	
Control input current	I _{IN}	V _{IN} = V _{CC} or GND	GND	6.0	—	—	±0.1	—	±1.0	μA
Quiescent supply current	I _{CC}	V _{IN} = V _{CC} or GND	GND	6.0	—	—	4.0	—	40.0	μA
			-6.0	6.0	—	—	8.0	—	80.0	

AC Characteristics (C_L = 50 pF, input: t_r = t_f = 6 ns, GND = 0 V)

Characteristics	Symbol	Test Condition		Ta = 25°C			Ta = -40 to 85°C		Unit	
				V _{EE} (V)	V _{CC} (V)	Min	Typ.	Max		Min
Phase difference between input and output	φ _{I/O}	All types	GND	2.0	—	25	60	—	75	ns
			GND	4.5	—	6	12	—	15	
			GND	6.0	—	5	10	—	13	
			-4.5	4.5	—	4	—	—	—	
Output enable time	t _{pZL} t _{pZH}	4051 (Note 1)	GND	2.0	—	64	225	—	280	ns
			GND	4.5	—	18	45	—	56	
			GND	6.0	—	15	38	—	48	
			-4.5	4.5	—	18	—	—	—	
		4052 (Note 1)	GND	2.0	—	64	225	—	280	
			GND	4.5	—	18	45	—	56	
			GND	6.0	—	15	38	—	48	
			-4.5	4.5	—	18	—	—	—	
		4053 (Note 1)	GND	2.0	—	50	225	—	280	
			GND	4.5	—	14	45	—	56	
			GND	6.0	—	12	38	—	48	
			-4.5	4.5	—	14	—	—	—	
Output disable time	t _{pLZ} t _{pHZ}	4051 (Note 1)	GND	2.0	—	100	250	—	315	ns
			GND	4.5	—	33	50	—	63	
			GND	6.0	—	28	43	—	54	
			-4.5	4.5	—	29	—	—	—	
		4052 (Note 1)	GND	2.0	—	100	250	—	315	
			GND	4.5	—	33	50	—	63	
			GND	6.0	—	28	43	—	54	
			-4.5	4.5	—	29	—	—	—	
		4053 (Note 1)	GND	2.0	—	95	225	—	280	
			GND	4.5	—	30	45	—	56	
			GND	6.0	—	26	38	—	48	
			-4.5	4.5	—	26	—	—	—	
Control input capacitance	C _{IN}	All types	—	—	—	5	10	—	10	pF
COMMON terminal capacitance	C _{IS}	4051	—	—	—	36	70	—	70	pF
		4052	-5.0	5.0	—	19	40	—	40	
		4053	—	—	—	11	20	—	20	
SWITCH terminal capacitance	C _{OS}	4051	—	—	—	7	15	—	15	pF
		4052	-5.0	5.0	—	7	15	—	15	
		4053	—	—	—	7	15	—	15	
Feedthrough capacitance	C _{IOS}	4051	—	—	—	0.95	2	—	2	pF
		4052	-5.0	5.0	—	0.85	2	—	2	
		4053	—	—	—	0.75	2	—	2	
Power dissipation capacitance	C _{PD}	4051	—	—	—	70	—	—	—	pF
		4052 (Note 2)	GND	5.0	—	71	—	—	—	
		4053	—	—	—	67	—	—	—	

Note 1: R_L = 1 kΩ

Note 2: C_{PD} is defined as the value of the internal equivalent capacitance of IC which is calculated from the operating current consumption without load.

Average operating current can be obtained by the equation:

$$I_{CC (opr)} = C_{PD} \cdot V_{CC} \cdot f_{IN} + I_{CC}$$

Analog Switch Characteristics (GND = 0 V, Ta = 25°C) (Note 1)

Characteristics	Symbol	Test Condition			Typ.	Unit					
			V _{EE} (V)	V _{CC} (V)							
Sine wave distortion (T.H.D)		R _L = 10 kΩ, C _L = 50 pF f _{IN} = 1 kHz	V _{IN} = 4.0 V _{p-p}	-2.25	2.25	0.025	%				
			V _{IN} = 8.0 V _{p-p}	-4.5	4.5	0.020					
			V _{IN} = 11.0 V _{p-p}	-6.0	6.0	0.018					
Frequency response (switch on)	f _{max}	Adjust f _{IN} voltage to obtain 0dBm at V _{OS} Increase f _{IN} frequency until dB meter reads -3dB R _L = 50 Ω, C _L = 10 pF f _{IN} = 1 MHz, sine wave	All (Note 2)	-2.25	2.25	120	MHz				
			4051 (Note 3)			45					
			4052			70					
			4053	95	-4.5	4.5		All (Note 2)	190		
			4051 (Note 3)	70							
			4052	110							
			4053	150	-6.0	6.0		All (Note 2)	200		
			4051 (Note 3)	85							
			4052	140							
			4053	190							
			Feed through attenuation (switch off)		V _{IN} is centered at (V _{CC} - V _{EE})/2 Adjust input for 0dBm R _L = 600 Ω, C _L = 50 pF f _{IN} = 1 MHz, sine wave			-2.25	2.25	-50	dB
								-4.5	4.5	-50	
	-6.0	6.0				-50					
Crosstalk (control input to signal output)		R _L = 600 Ω, C _L = 50 pF f _{IN} = 1 MHz, square wave (t _r = t _f = 6 ns)		-2.25	2.25	60	mV				
				-4.5	4.5	140					
				-6.0	6.0	200					
Crosstalk (between any switches)		Adjust V _{IN} to obtain 0dBm at input R _L = 600 Ω, C _L = 50 pF f _{IN} = 1 MHz, sine wave		-2.25	2.25	-50	dB				
				-4.5	4.5	-50					
				-6.0	6.0	-50					

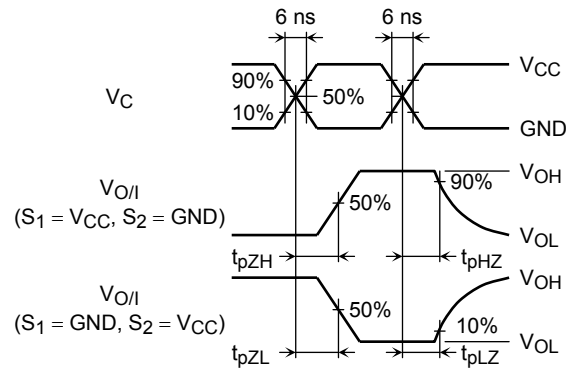
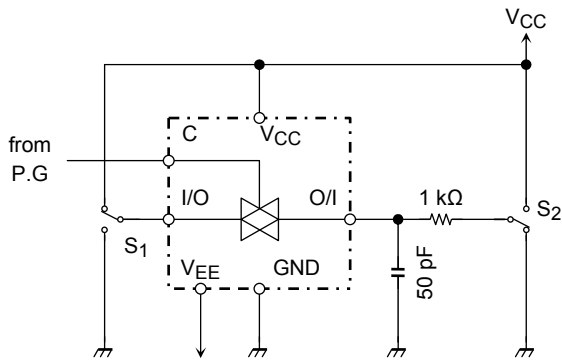
Note 1: These characteristics are determined by design of devices.

Note 2: Input COMMON terminal, and measured at SWITCH terminal.

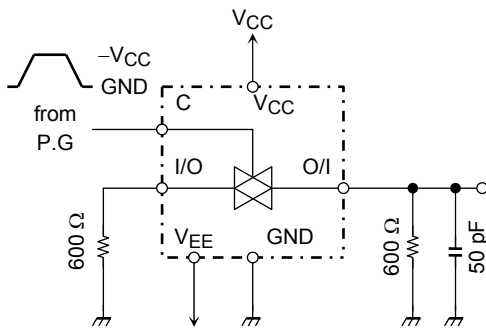
Note 3: Input SWITCH terminal, and measured at COMMON terminal.

Switching Characteristics Test Circuits

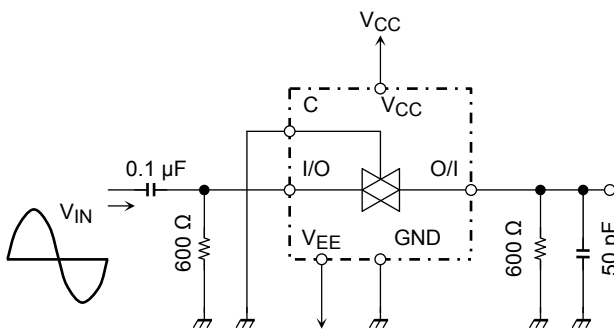
1. t_{pLZ} , t_{pHZ} , t_{pZL} , t_{pZH}



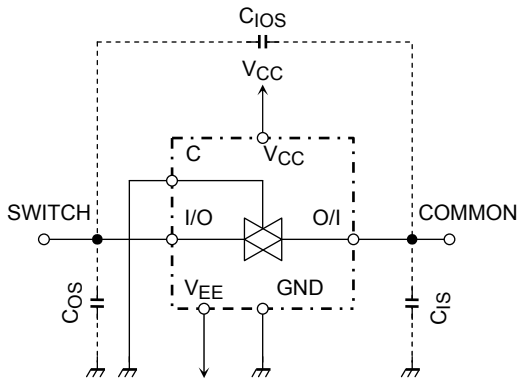
2. Cross Talk (control input-switch output) $f_{IN} = 1$ MHz duty = 50% $t_r = t_f = 6$ ns



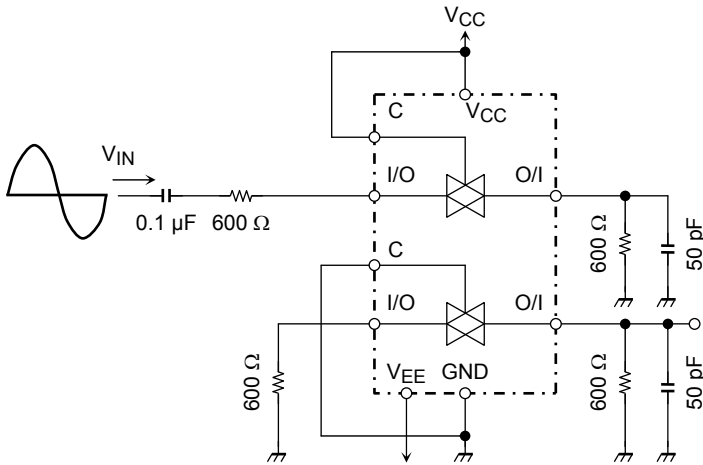
3. Feedthrough Attenuation



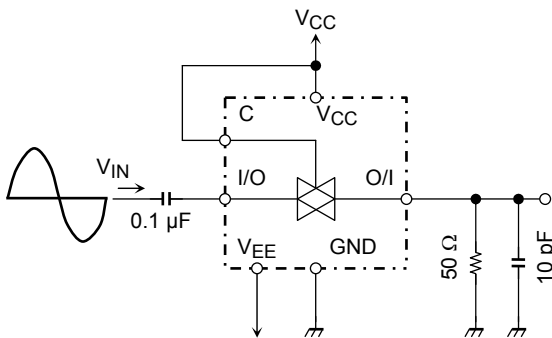
4. C_{IOS}, C_{IS}, C_{OS}



5. Cross Talk (between any two switches)



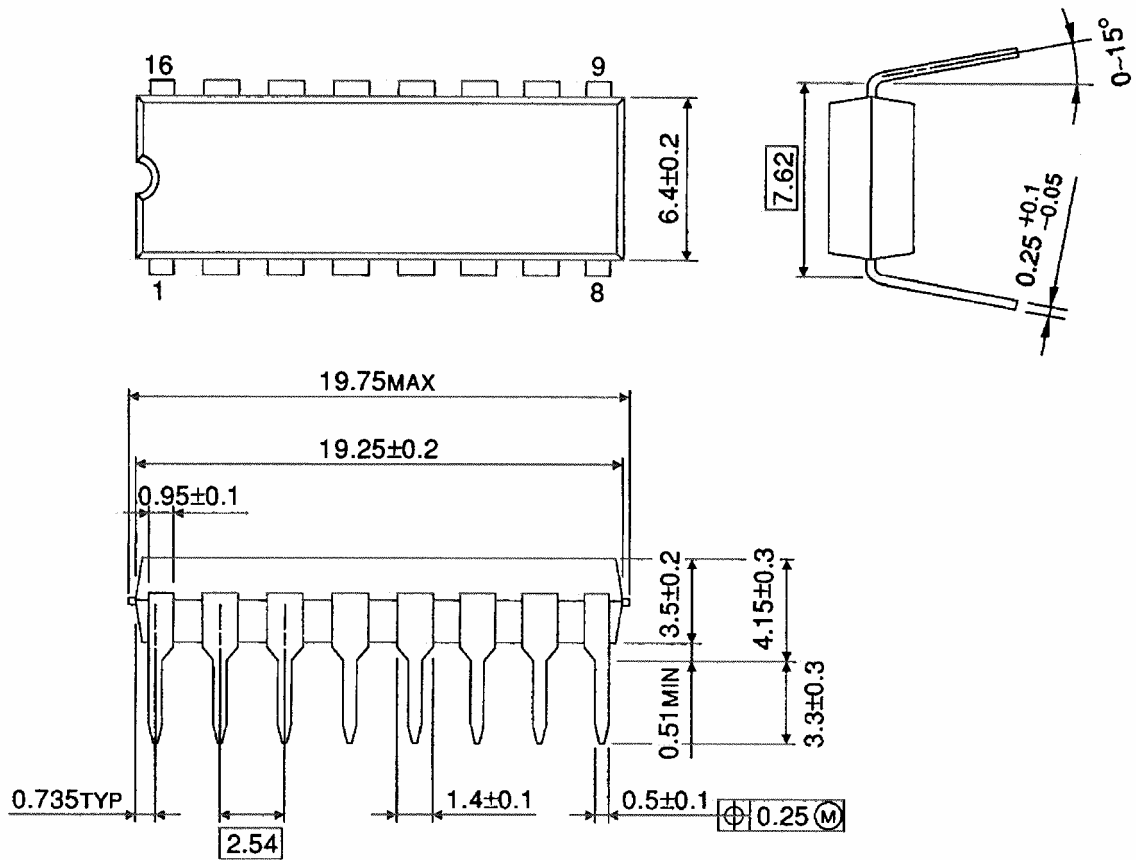
6. Frequency Response (switch on)



Package Dimensions

DIP16-P-300-2.54A

Unit : mm

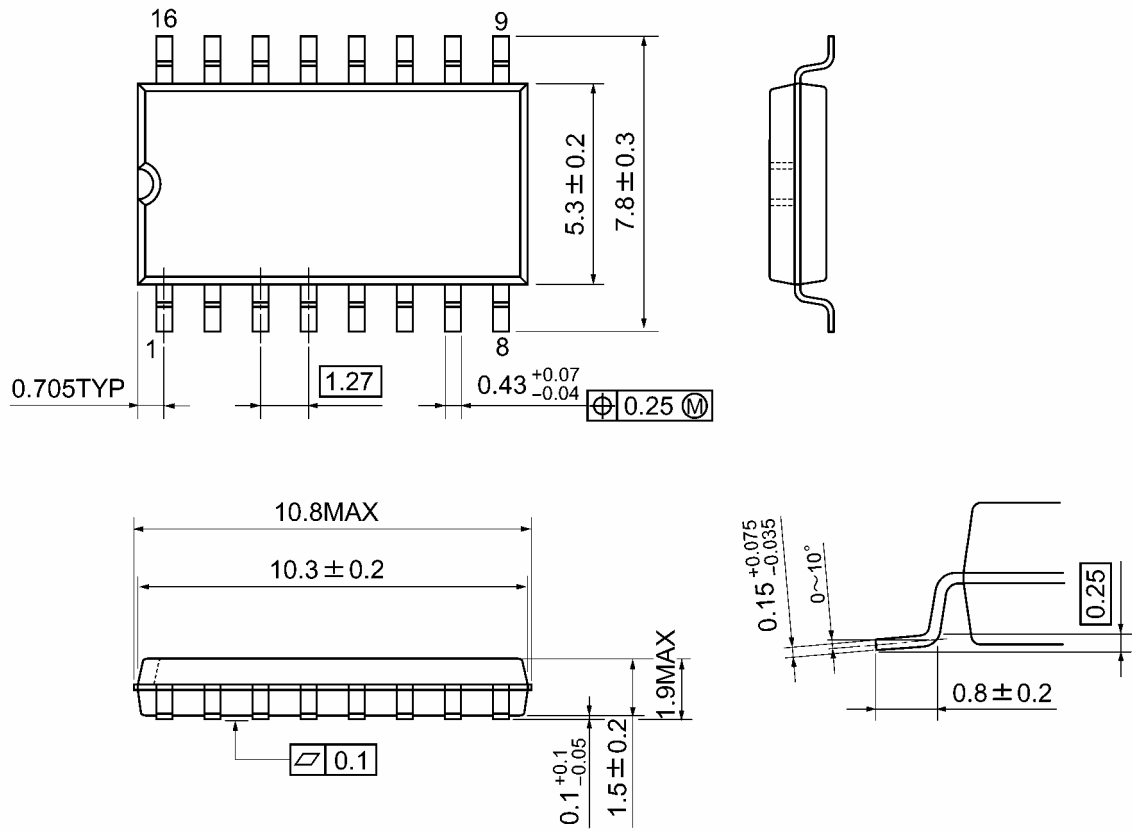


Weight: 1.00 g (typ.)

Package Dimensions

SOP16-P-300-1.27A

Unit: mm

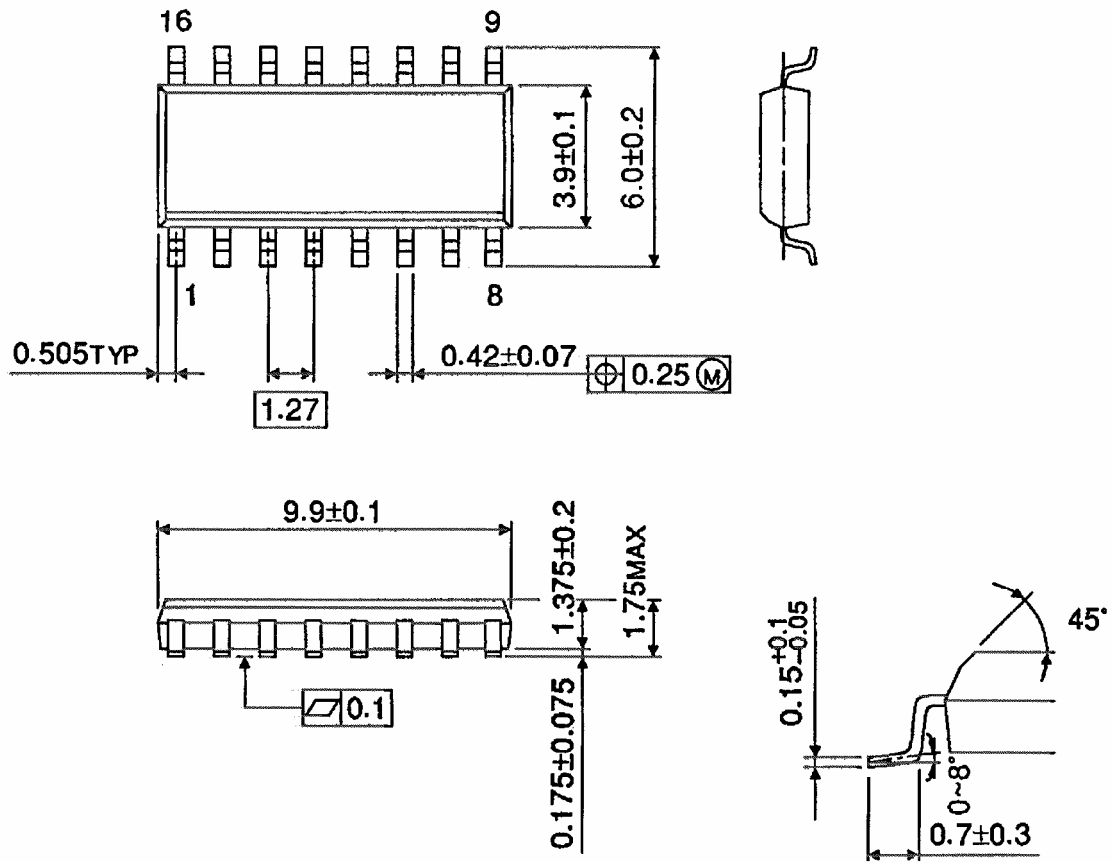


Weight: 0.18 g (typ.)

Package Dimensions (Note)

SOL16-P-150-1.27

Unit : mm



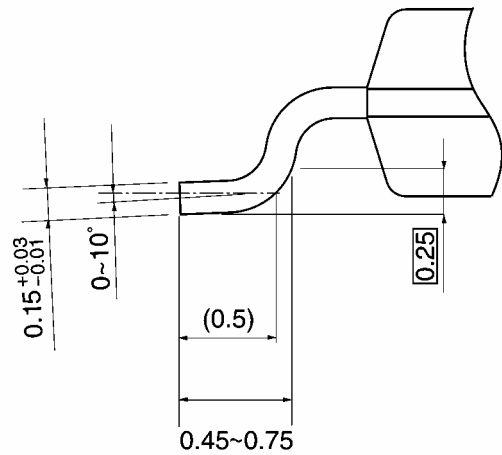
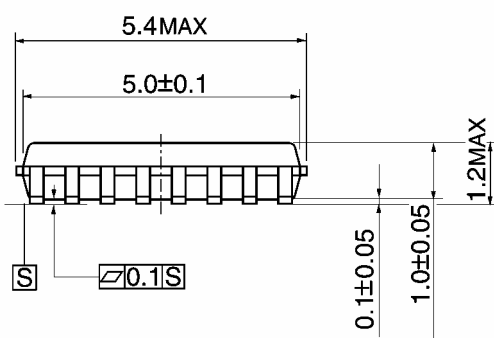
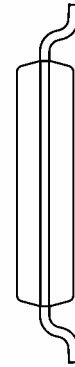
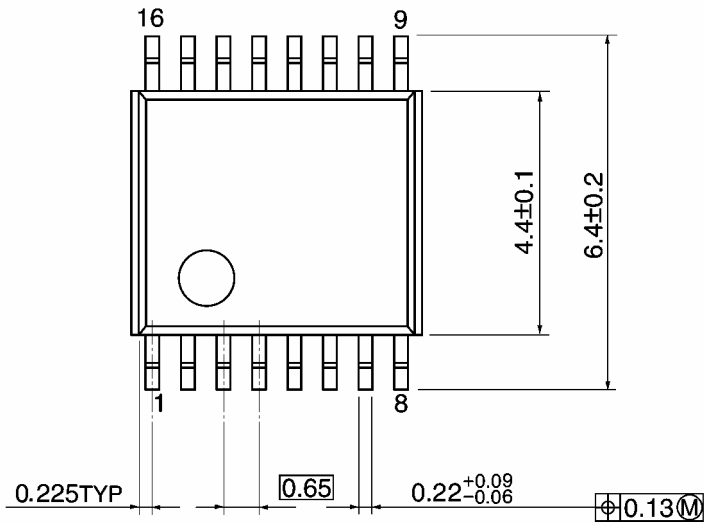
Note: This package is not available in Japan.

Weight: 0.13 g (typ.)

Package Dimensions

TSSOP16-P-0044-0.65A

Unit: mm



Weight: 0.06 g (typ.)

RESTRICTIONS ON PRODUCT USE

20070701-EN GENERAL

- The information contained herein is subject to change without notice.
- TOSHIBA is continually working to improve the quality and reliability of its products. Nevertheless, semiconductor devices in general can malfunction or fail due to their inherent electrical sensitivity and vulnerability to physical stress. It is the responsibility of the buyer, when utilizing TOSHIBA products, to comply with the standards of safety in making a safe design for the entire system, and to avoid situations in which a malfunction or failure of such TOSHIBA products could cause loss of human life, bodily injury or damage to property.
In developing your designs, please ensure that TOSHIBA products are used within specified operating ranges as set forth in the most recent TOSHIBA products specifications. Also, please keep in mind the precautions and conditions set forth in the "Handling Guide for Semiconductor Devices," or "TOSHIBA Semiconductor Reliability Handbook" etc.
- The TOSHIBA products listed in this document are intended for usage in general electronics applications (computer, personal equipment, office equipment, measuring equipment, industrial robotics, domestic appliances, etc.). These TOSHIBA products are neither intended nor warranted for usage in equipment that requires extraordinarily high quality and/or reliability or a malfunction or failure of which may cause loss of human life or bodily injury ("Unintended Usage"). Unintended Usage include atomic energy control instruments, airplane or spaceship instruments, transportation instruments, traffic signal instruments, combustion control instruments, medical instruments, all types of safety devices, etc.. Unintended Usage of TOSHIBA products listed in this document shall be made at the customer's own risk.
- The products described in this document shall not be used or embedded to any downstream products of which manufacture, use and/or sale are prohibited under any applicable laws and regulations.
- The information contained herein is presented only as a guide for the applications of our products. No responsibility is assumed by TOSHIBA for any infringements of patents or other rights of the third parties which may result from its use. No license is granted by implication or otherwise under any patents or other rights of TOSHIBA or the third parties.
- Please contact your sales representative for product-by-product details in this document regarding RoHS compatibility. Please use these products in this document in compliance with all applicable laws and regulations that regulate the inclusion or use of controlled substances. Toshiba assumes no liability for damage or losses occurring as a result of noncompliance with applicable laws and regulations.