



Multistandard advanced dual demodulator for Satellite Digital TV and Data services set-top boxes

Data Brief

Description

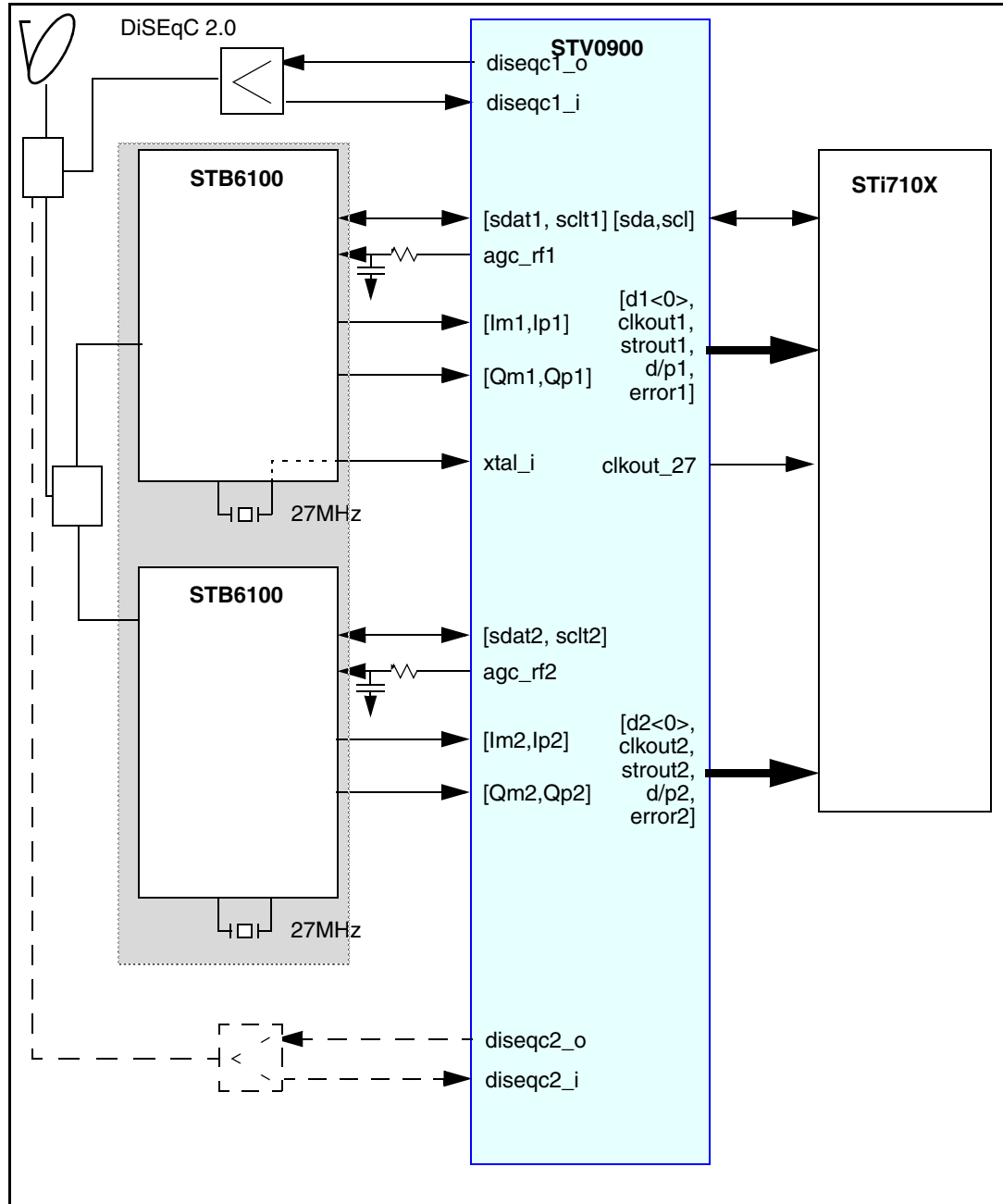
The STV0900 features a high speed DVB-S2 Forward Error Corrector (FEC) which is designed to handle up to 180 Mega Channel bits per second at its input. To feed the FEC the STV0900 implements two identical demodulators, each capable of handling QPSK legacy, DVBS2 constant coding and modulation for satellite broadcast and Advanced Coding and Modulation for interactive services. The STV0900 supports mode switching on a frame basis without synchronization or data loss.

Features

- Demodulation
 - RF interfaces
 - Each demodulator can handle:
 - DIRECTV™ and DVBS QPSK
 - DVBS2 QPSK, 8PSK and 16APSK
 - Digital Nyquist root filter
 - With 0.20, 0.25, 0.35 excess bandwidth factors.
 - DVBS or DIRECTV™
 - DVBS2 broadcasting (CCM)
 - DVBS2 adaptative (ACM)
- Dual decoding
 - Up to 180 Mega DVBS2 channel bits per second (Mcbps) at input to FEC
 - Up to 130 Mcbps DVBS or DIRECTV™ legacy per FEC
 - Legacy DVB-S
 - DVB-S2
- Transport stream management
 - Dual data to MPEG decoder
 - Single ACM data to microprocessor
 - DVB-S2 framing
- Interfaces
 - Dedicated 27 MHz clock generation for back-end decoder
 - I²C serial bus interface
 - JTAG interface - boundary scan
 - 2 DiSEqC™ 2.x interfaces
 - GPIOs and interrupt lines
 - Monitoring through I²C serial interface
- Technology
 - 90 nm CMOS process
 - Multi supply: 1.0 V core, 2.5 V analog, 3.3 V digital interfaces
 - Power saving features
- Package
 - Exposed PAD LQFP 128 14x14, 0.4 pitch
 - 4 layer PCB recommended.

1 Application block diagrams

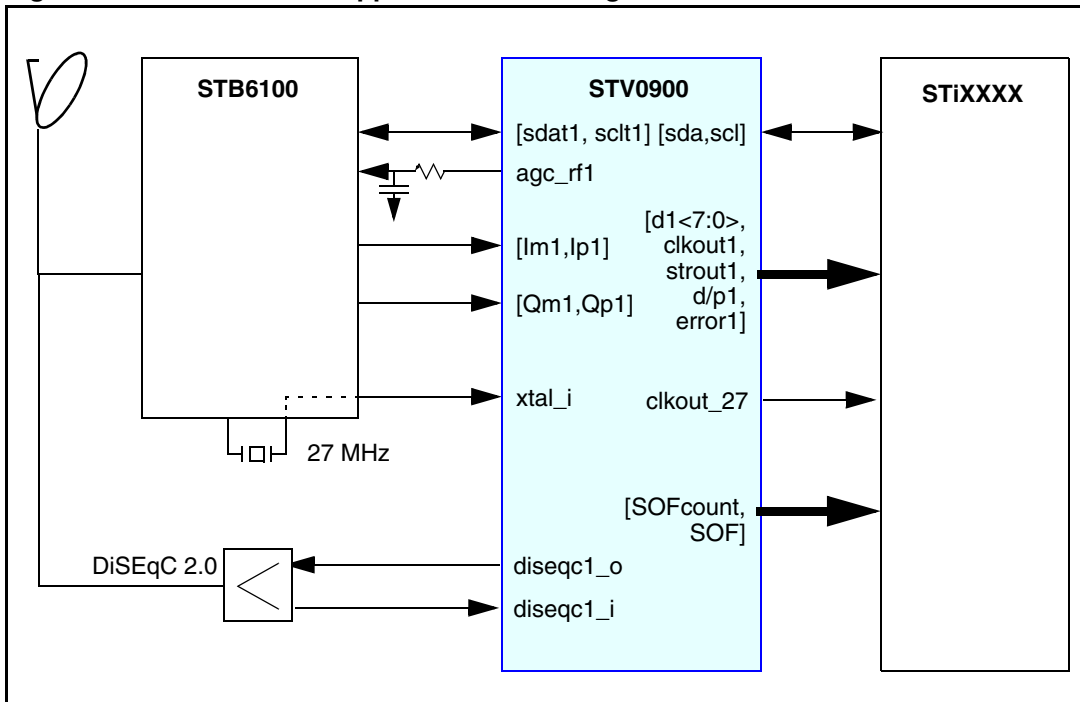
Figure 1. STV0900 dual broadcast application block diagram



Possible broadcast configurations are:

- dual DVBS or dual DIRECTV™ legacy decoding with dual TS output,
- dual DVBS2 decoding with dual TS output,
- DVBS or DIRECTV™ legacy and DVBS2 decoding with dual TS output.

Figure 2. STV0900 ACM application block diagram



Possible configurations can be:

- single DVBS2 ACM decoding,
- single DVBS2 ACM with single DVBS or DIRECTV™ legacy (2nd tuner not shown).

2 Revision history

Table 1. Document revision history

Date	Revision	Description
21-Dec-2006	1	Initial release.

Please Read Carefully:

Information in this document is provided solely in connection with ST products. STMicroelectronics NV and its subsidiaries ("ST") reserve the right to make changes, corrections, modifications or improvements, to this document, and the products and services described herein at any time, without notice.

All ST products are sold pursuant to ST's terms and conditions of sale.

Purchasers are solely responsible for the choice, selection and use of the ST products and services described herein, and ST assumes no liability whatsoever relating to the choice, selection or use of the ST products and services described herein.

No license, express or implied, by estoppel or otherwise, to any intellectual property rights is granted under this document. If any part of this document refers to any third party products or services it shall not be deemed a license grant by ST for the use of such third party products or services, or any intellectual property contained therein or considered as a warranty covering the use in any manner whatsoever of such third party products or services or any intellectual property contained therein.

UNLESS OTHERWISE SET FORTH IN ST'S TERMS AND CONDITIONS OF SALE ST DISCLAIMS ANY EXPRESS OR IMPLIED WARRANTY WITH RESPECT TO THE USE AND/OR SALE OF ST PRODUCTS INCLUDING WITHOUT LIMITATION IMPLIED WARRANTIES OF MERCHANTABILITY, FITNESS FOR A PARTICULAR PURPOSE (AND THEIR EQUIVALENTS UNDER THE LAWS OF ANY JURISDICTION), OR INFRINGEMENT OF ANY PATENT, COPYRIGHT OR OTHER INTELLECTUAL PROPERTY RIGHT.

UNLESS EXPRESSLY APPROVED IN WRITING BY AN AUTHORIZED ST REPRESENTATIVE, ST PRODUCTS ARE NOT RECOMMENDED, AUTHORIZED OR WARRANTED FOR USE IN MILITARY, AIR CRAFT, SPACE, LIFE SAVING, OR LIFE SUSTAINING APPLICATIONS, NOR IN PRODUCTS OR SYSTEMS WHERE FAILURE OR MALFUNCTION MAY RESULT IN PERSONAL INJURY, DEATH, OR SEVERE PROPERTY OR ENVIRONMENTAL DAMAGE. ST PRODUCTS WHICH ARE NOT SPECIFIED AS "AUTOMOTIVE GRADE" MAY ONLY BE USED IN AUTOMOTIVE APPLICATIONS AT USER'S OWN RISK.

Resale of ST products with provisions different from the statements and/or technical features set forth in this document shall immediately void any warranty granted by ST for the ST product or service described herein and shall not create or extend in any manner whatsoever, any liability of ST.

ST and the ST logo are trademarks or registered trademarks of ST in various countries.

Information in this document supersedes and replaces all information previously supplied.

The ST logo is a registered trademark of STMicroelectronics. All other names are the property of their respective owners.

© 2006 STMicroelectronics - All rights reserved

STMicroelectronics group of companies

Australia - Belgium - Brazil - Canada - China - Czech Republic - Finland - France - Germany - Hong Kong - India - Israel - Italy - Japan - Malaysia - Malta - Morocco - Singapore - Spain - Sweden - Switzerland - United Kingdom - United States of America

www.st.com