



# STP200NF04L STB200NF04L - STB200NF04L-1

N-CHANNEL 40V - 3 mΩ - 120 A TO-220/D<sup>2</sup>PAK/I<sup>2</sup>PAK  
STripFET™ II MOSFET

**Table 1: General Features**

TYPE	V <sub>DSS</sub>	R <sub>DS(on)</sub>	I <sub>D</sub>
STB200NF04L	40 V	3.5 mΩ	120 A
STP200NF04L	40 V	3.8 mΩ	120 A
STB200NF04L-1	40 V	3.8 mΩ	120 A

- TYPICAL R<sub>DS(on)</sub> = 3mΩ
- 100% AVALANCHE TESTED
- LOW THERESHOLD DRIVE

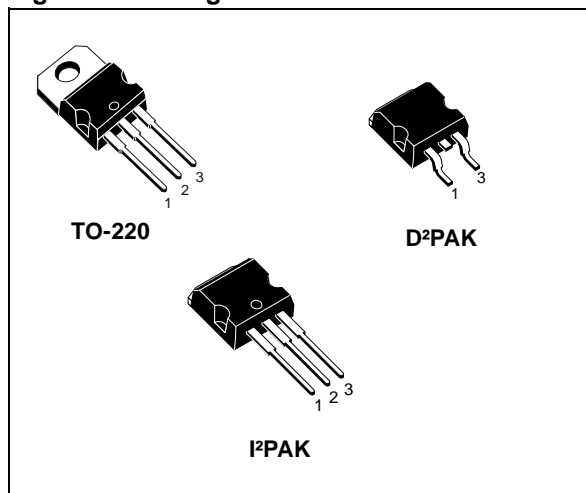
## DESCRIPTION

This MOSFET is the latest development of STMicroelectronics unique "Single Feature Size™" stripbased process. The resulting transistor shows extremely high packing density for low on-resistance, rugged avalanche characteristics and less-critical alignment steps therefore a remarkable manufacturing reproducibility. This new improved device has been specifically designed for Automotive applications.

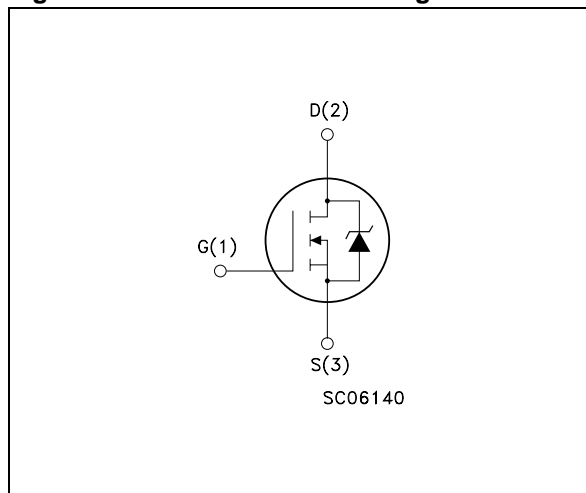
## APPLICATIONS

- HIGH CURRENT, HIGH SWITCHING SPEED

**Figure 1: Package**



**Figure 2: Internal Schematic Diagram**



**Table 2: Order Codes**

PART NUMBER	MARKING	PACKAGE	PACKAGING
STP200NF04L	P200NF04L	TO-220	TUBE
STB200NF04L	B200NF04L	D <sup>2</sup> PAK	TAPE & REEL
STB200NF04L-1	B200NF04L	I <sup>2</sup> PAK	TUBE

**Table 3: Absolute Maximum ratings**

Symbol	Parameter	Value	Unit
V <sub>DS</sub>	Drain-source Voltage (V <sub>GS</sub> = 0)	40	V
V <sub>GDR</sub>	Drain-gate Voltage (R <sub>GS</sub> =20 KΩ)	40	V
V <sub>GS</sub>	Gate- source Voltage	± 16	V
I <sub>D</sub> (**)	Drain Current (continuous) at T <sub>C</sub> = 25°C	120	A
I <sub>D</sub>	Drain Current (continuous) at T <sub>C</sub> = 100°C	120	A
I <sub>DM</sub> (2)	Drain Current (pulsed)	480	A
P <sub>TOT</sub>	Total Dissipation at T <sub>C</sub> = 25°C	300	W
	Derating Factor	2	W/°C
dv/dt (1)	Peak Diode Recovery voltage slope	3.6	V/ns
E <sub>AS</sub> (3)	Single Pulse Avalanche Energy	1.4	J
T <sub>stg</sub>	Storage Temperature	-55 to 175	°C
T <sub>j</sub>	Max. Operating Junction Temperature		

(1) I<sub>SD</sub> ≤ 100 A, di/dt ≤ 240 A/μs, V<sub>DD</sub> ≤ 32, T<sub>j</sub> ≤ T<sub>JMAX</sub>

(2) Pulse width limited by safe operating area.

(3) Starting T<sub>j</sub> = 25°C, I<sub>AR</sub> = 50A, V<sub>DD</sub> = 30V

(\*\*) Current limited by Package

**Table 4: Thermal Data**

			TO-220/I <sup>2</sup> PAK	D <sup>2</sup> PAK	Unit
R <sub>thj-case</sub>	Thermal Resistance Junction-case	Max	0.50		°C/W
R <sub>thj-pcb</sub> (*)	Thermal Resistance Junction-pcb	Max		35	°C/W
R <sub>thja</sub>	Thermal Resistance Junction-ambient	Max	62.5	--	
T <sub>I</sub>	Maximum Lead Temperature For Soldering Purpose		300	--	°C

(\*)When mounted on 1 inch<sup>2</sup> FR4 2oz Cu

**ELECTRICAL CHARACTERISTICS (T<sub>CASE</sub> =25°C UNLESS OTHERWISE SPECIFIED)**

**Table 5: On/Off**

Symbol	Parameter	Test Conditions	Min.	Typ.	Max.	Unit
V <sub>(BR)DSS</sub>	Drain-source Breakdown Voltage	I <sub>D</sub> = 250 μA, V <sub>GS</sub> = 0	40			V
I <sub>DSS</sub>	Zero Gate Voltage Drain Current (V <sub>GS</sub> = 0)	V <sub>DS</sub> = Max Rating V <sub>D</sub> = Max Rating, T <sub>C</sub> = 125 °C			1 10	μA μA
I <sub>GSS</sub>	Gate-body Leakage Current (V <sub>DS</sub> = 0)	V <sub>GS</sub> = ± 16V			±100	nA
V <sub>GS(th)</sub>	Gate Threshold Voltage	V <sub>DS</sub> = V <sub>GS</sub> , I <sub>D</sub> = 250μA	1		4	V
R <sub>DSON</sub>	Static Drain-source On Resistance	V <sub>GS</sub> = 10 V, I <sub>D</sub> = 50 A V <sub>GS</sub> = 5 V, I <sub>D</sub> = 50 A	<b>TO-220</b> <b>I<sup>2</sup>PAK</b>	3.3	3.8	mΩ
		V <sub>GS</sub> = 10 V, I <sub>D</sub> = 50 A V <sub>GS</sub> = 5 V, I <sub>D</sub> = 50 A		<b>D<sup>2</sup>PAK</b>	3.0 3.5	3.5 4.3

## ELECTRICAL CHARACTERISTICS (CONTINUED)

Table 6: Dynamic

Symbol	Parameter	Test Conditions	Min.	Typ.	Max.	Unit
$g_{fs}$ (4)	Forward Transconductance	$V_{DS} = 15\text{ V}$ , $I_D = 20\text{ A}$		60		S
$C_{iss}$ $C_{oss}$ $C_{rss}$	Input Capacitance Output Capacitance Reverse Transfer Capacitance	$V_{DS} = 25\text{ V}$ , $f = 1\text{ MHz}$ , $V_{GS} = 0$		6400 1300 190		pF pF pF
$t_{d(on)}$ $t_r$ $t_{d(off)}$ $t_f$	Turn-on Delay Time Rise Time Turn-off Delay Time Fall Time	$V_{DD} = 20\text{ V}$ , $I_D = 50\text{ A}$ , $R_G = 4.7\ \Omega$ , $V_{GS} = 4.5\text{ V}$ (see Figure 16)		37 270 90 80		ns ns ns ns
$t_{r(Voff)}$ $t_f$ $t_c$	Turn-off Delay Time Fall Time Cross-over Time	$V_{clamp} = 32\text{ V}$ , $I_D = 100\text{ A}$ , $R_G = 4.7\ \Omega$ , $V_{GS} = 4.5\text{ V}$ (see Figure 17)		85 125 160		ns ns ns
$Q_g$ $Q_{gs}$ $Q_{gd}$	Total Gate Charge Gate-Source Charge Gate-Drain Charge	$V_{DD} = 32\text{ V}$ , $I_D = 100\text{ A}$ , $V_{GS} = 4.5\text{ V}$ (see Figure 19)		72 20 28.5	90	nC nC nC

Table 7: Source Drain Diode

Symbol	Parameter	Test Conditions	Min.	Typ.	Max.	Unit
$I_{SD}$	Source-drain Current				100	A
$I_{SDM}$ (1)	Source-drain Current (pulsed)				400	A
$V_{SD}$ (4)	Forward On Voltage	$I_{SD} = 160\text{ A}$ , $V_{GS} = 0$			1.3	V
$t_{rr}$ $Q_{rr}$ $I_{RRM}$	Reverse Recovery Time Reverse Recovery Charge Reverse Recovery Current	$I_{SD} = 100\text{ A}$ , $di/dt = 100\text{ A}/\mu\text{s}$ , $V_{DD} = 20\text{ V}$ , $T_j = 150^\circ\text{C}$ (see Figure 16)		88 240 5.5		ns nC A

(1) Pulse width limited by safe operating area

(4). Pulsed: Pulse duration = 300  $\mu\text{s}$ , duty cycle 1.5 %.

Figure 3: Safe Operating Area

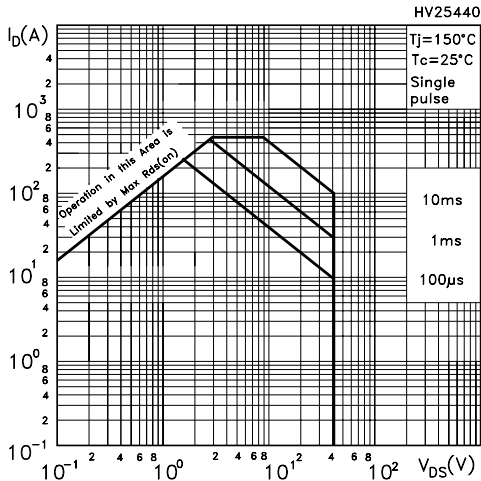


Figure 4: Output Characteristics

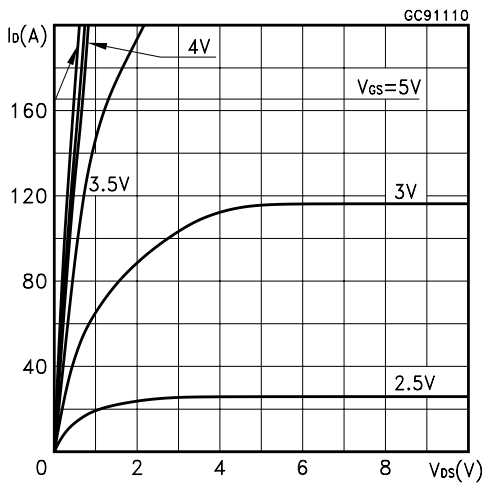


Figure 5: Transconductance

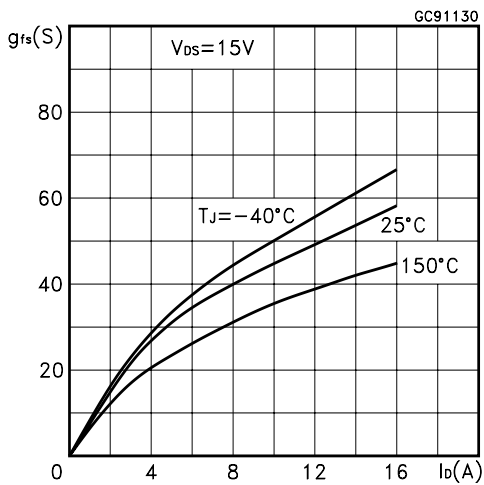


Figure 6: Thermal Impedance

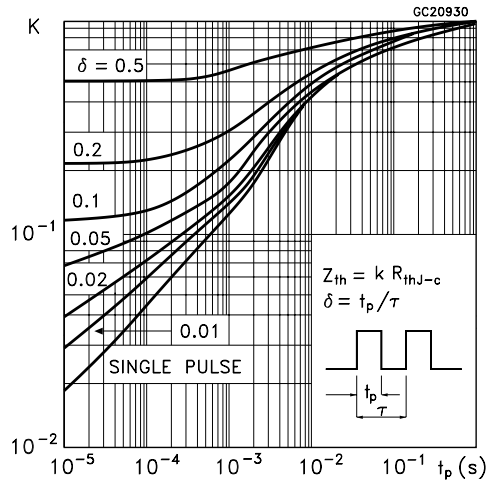


Figure 7: Transfer Characteristics

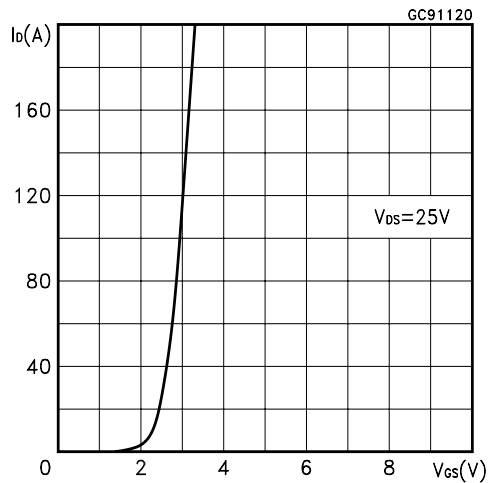


Figure 8: Static Drain-source On Resistance

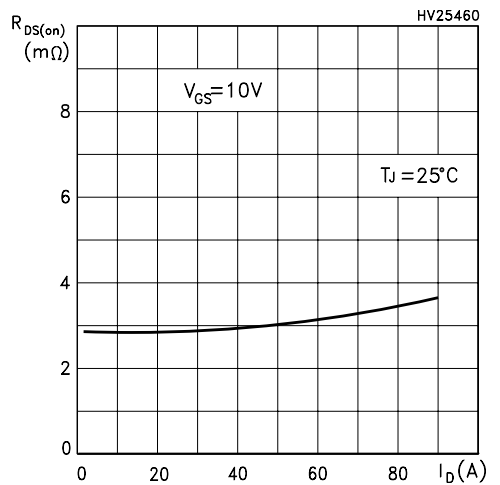


Figure 9: Gate Charge vs Gate-source Voltage

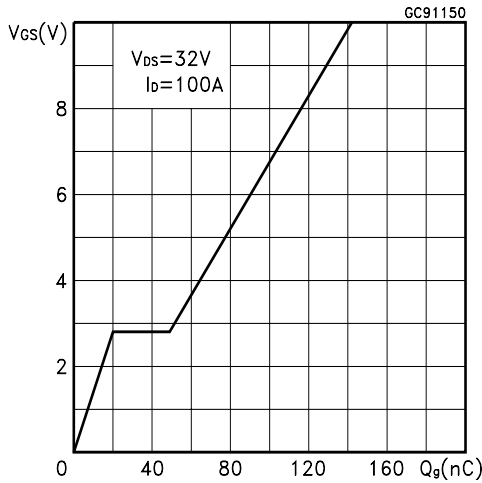


Figure 10: Normalized Gate Threshold Voltage vs Temperature

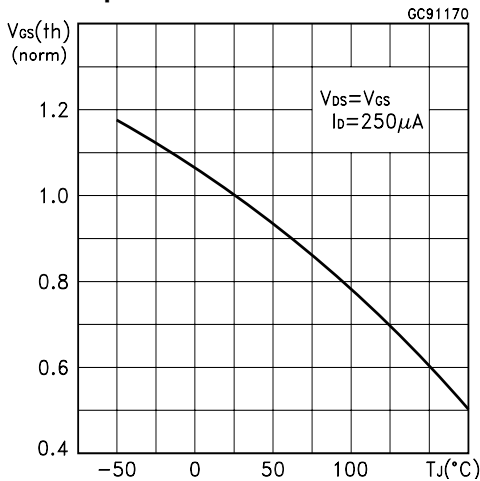


Figure 11: Source-Drain Diode Forward Characteristics

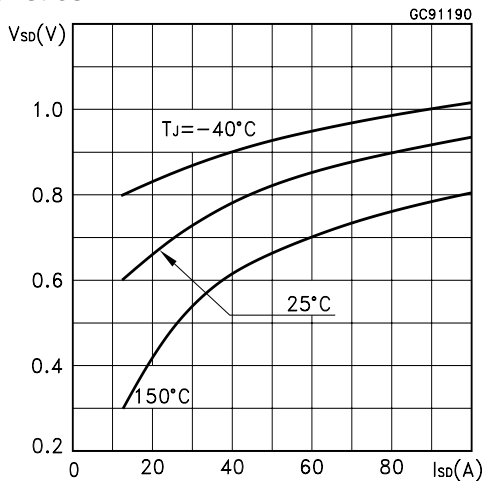


Figure 12: Capacitance Variations

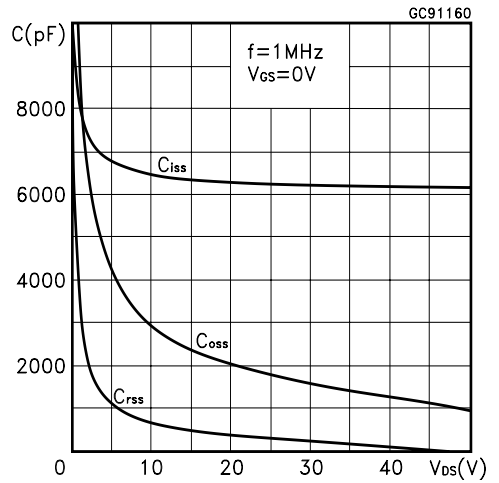


Figure 13: Normalized On Resistance vs Temperature

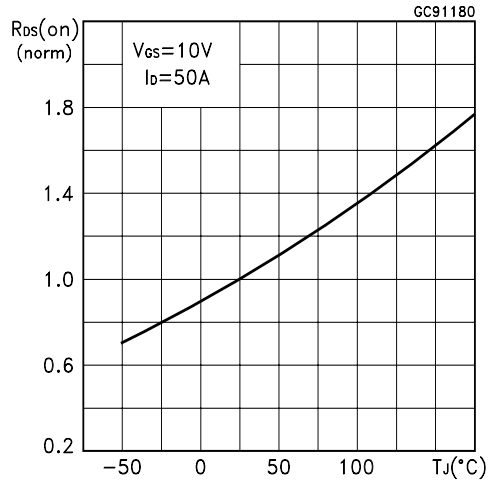


Figure 14: Normalized Breakdown Voltage vs Temperature

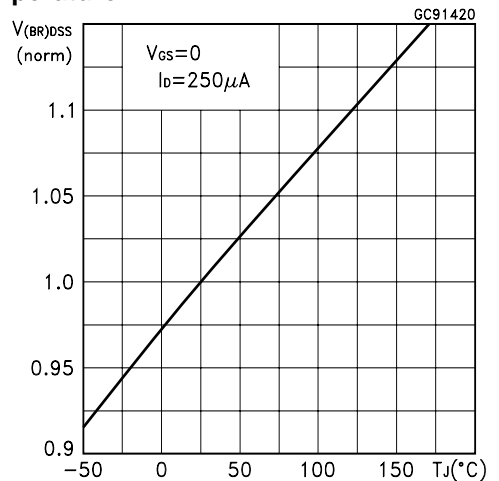


Figure 15: Unclamped Inductive Load Test Circuit

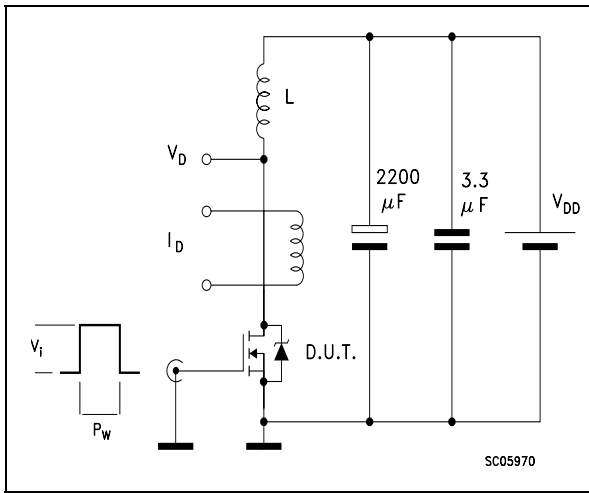


Figure 16: Switching Times Test Circuit For Resistive Load

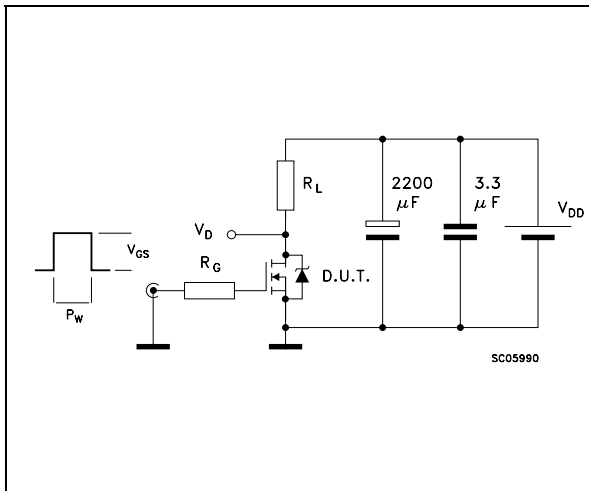


Figure 17: Test Circuit For Inductive Load Switching and Diode Recovery Times

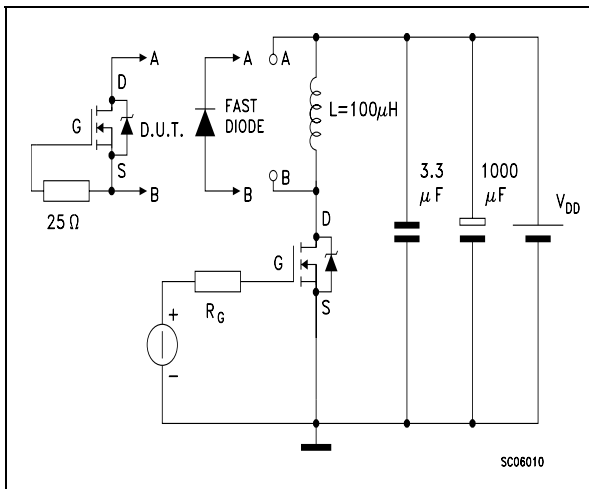


Figure 18: Unclamped Inductive Waferform

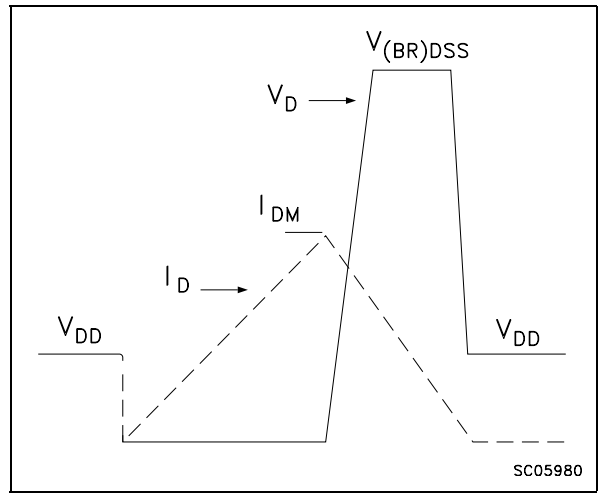
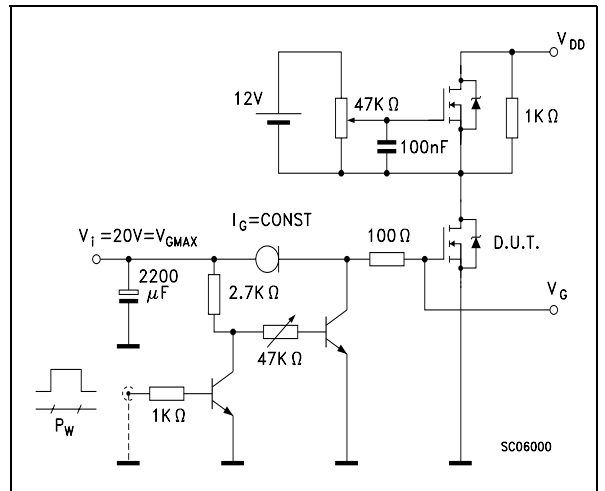
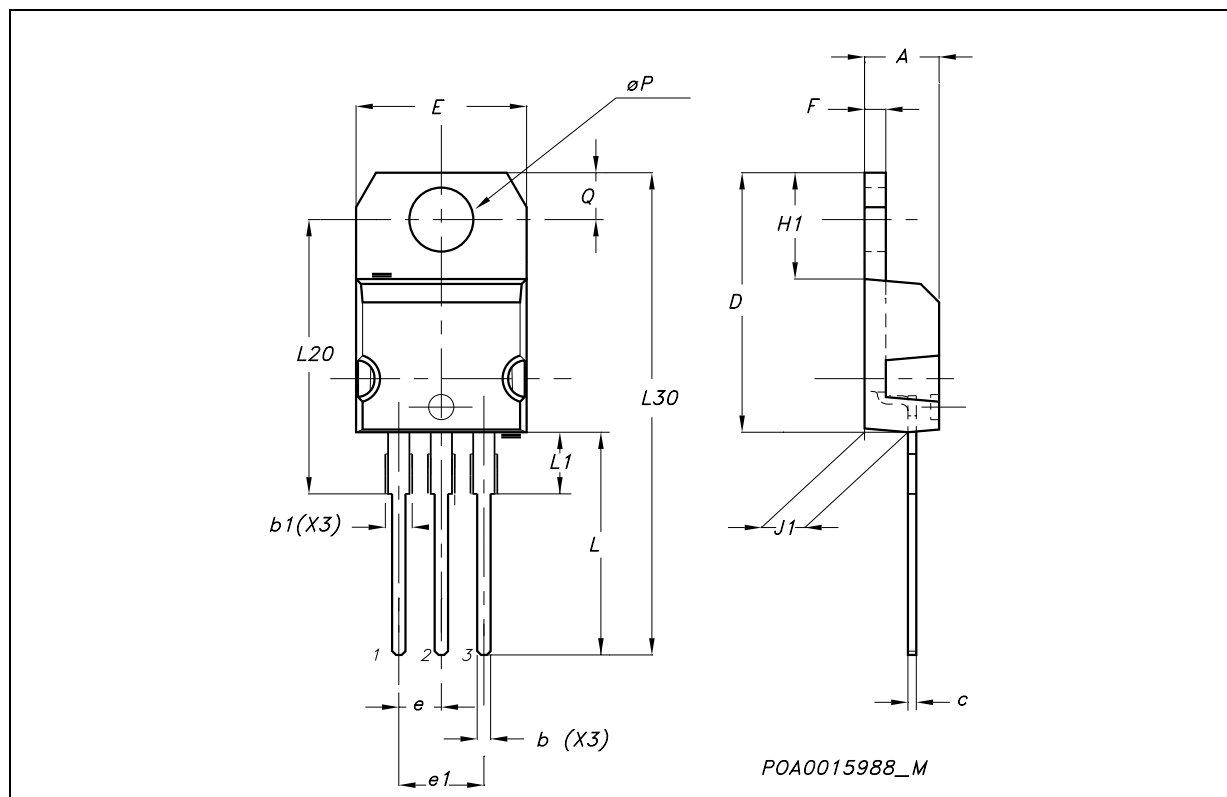


Figure 19: Gate Charge Test Circuit



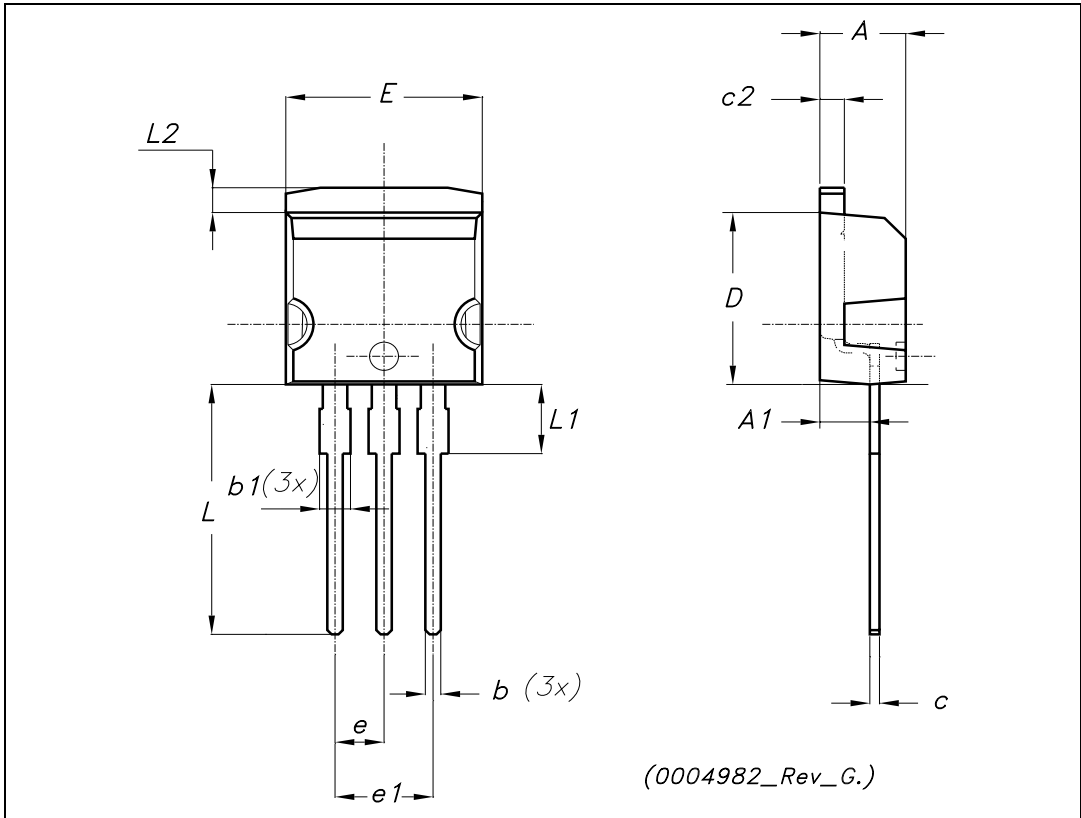
## TO-220 MECHANICAL DATA

DIM.	mm.			inch		
	MIN.	TYP.	MAX.	MIN.	TYP.	MAX.
A	4.40		4.60	0.173		0.181
b	0.61		0.88	0.024		0.034
b1	1.15		1.70	0.045		0.066
c	0.49		0.70	0.019		0.027
D	15.25		15.75	0.60		0.620
E	10		10.40	0.393		0.409
e	2.40		2.70	0.094		0.106
e1	4.95		5.15	0.194		0.202
F	1.23		1.32	0.048		0.052
H1	6.20		6.60	0.244		0.256
J1	2.40		2.72	0.094		0.107
L	13		14	0.511		0.551
L1	3.50		3.93	0.137		0.154
L20		16.40			0.645	
L30		28.90			1.137	
øP	3.75		3.85	0.147		0.151
Q	2.65		2.95	0.104		0.116



**TO-262 (I<sup>2</sup>PAK) MECHANICAL DATA**

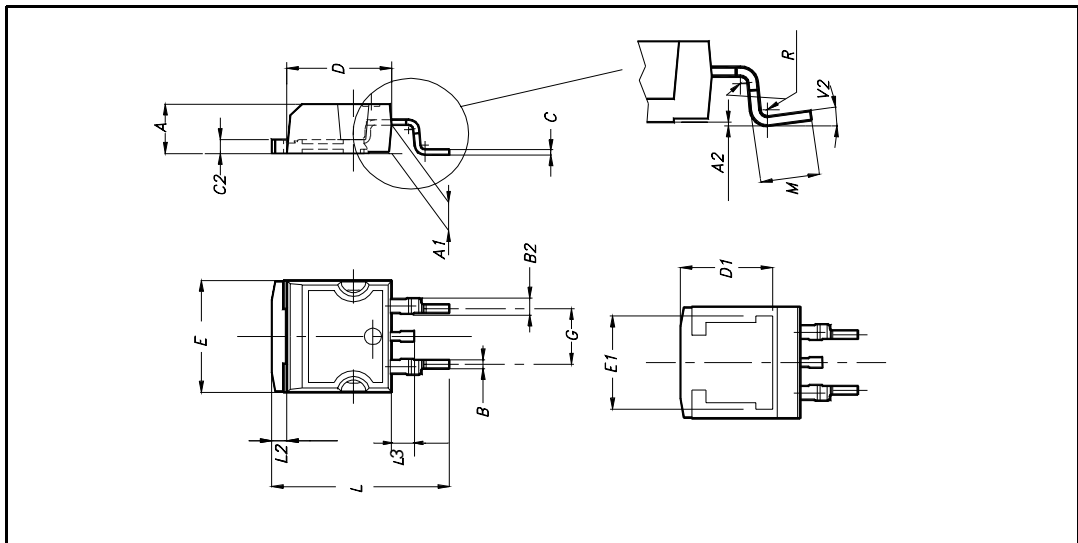
DIM.	mm.			inch		
	MIN.	TYP.	MAX.	MIN.	TYP.	MAX.
A	4.40		4.60	0.173		0.181
A1	2.40		2.72	0.094		0.107
b	0.61		0.88	0.024		0.034
b1	1.14		1.70	0.044		0.066
c	0.49		0.70	0.019		0.027
c2	1.23		1.32	0.048		0.052
D	8.95		9.35	0.352		0.368
e	2.40		2.70	0.094		0.106
e1	4.95		5.15	0.194		0.202
E	10		10.40	0.393		0.410
L	13		14	0.511		0.551
L1	3.50		3.93	0.137		0.154
L2	1.27		1.40	0.050		0.055



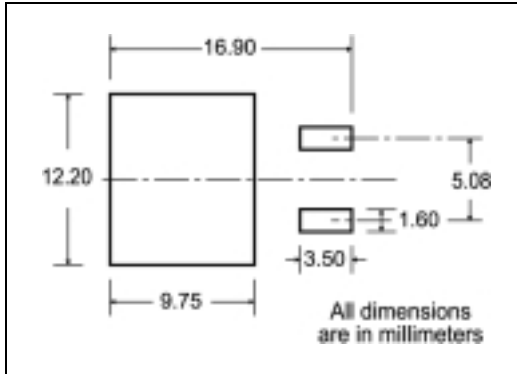


**D<sup>2</sup>PAK MECHANICAL DATA**

DIM.	mm.			inch		
	MIN.	TYP.	MAX.	MIN.	TYP.	MAX.
A	4.4		4.6	0.173		0.181
A1	2.49		2.69	0.098		0.106
A2	0.03		0.23	0.001		0.009
B	0.7		0.93	0.027		0.036
B2	1.14		1.7	0.044		0.067
C	0.45		0.6	0.017		0.023
C2	1.23		1.36	0.048		0.053
D	8.95		9.35	0.352		0.368
D1		8			0.315	
E	10		10.4	0.393		
E1		8.5			0.334	
G	4.88		5.28	0.192		0.208
L	15		15.85	0.590		0.625
L2	1.27		1.4	0.050		0.055
L3	1.4		1.75	0.055		0.068
M	2.4		3.2	0.094		0.126
R		0.4			0.015	
V2	0°		4°			



### D<sup>2</sup>PAK FOOTPRINT



### TAPE AND REEL SHIPMENT

**TAPE MECHANICAL DATA**

DIM.	mm		inch	
	MIN.	MAX.	MIN.	MAX.
A0	10.5	10.7	0.413	0.421
B0	15.7	15.9	0.618	0.626
D	1.5	1.6	0.059	0.063
D1	1.59	1.61	0.062	0.063
E	1.65	1.85	0.065	0.073
F	11.4	11.6	0.449	0.456
K0	4.8	5.0	0.189	0.197
P0	3.9	4.1	0.153	0.161
P1	11.9	12.1	0.468	0.476
P2	1.9	2.1	0.075	0.082
R	50		1.574	
T	0.25	0.35	0.0098	0.0137
W	23.7	24.3	0.933	0.956

**REEL MECHANICAL DATA**

DIM.	mm		inch	
	MIN.	MAX.	MIN.	MAX.
A		330		12.992
B	1.5		0.059	
C	12.8	13.2	0.504	0.520
D	20.2		0.795	
G	24.4	26.4	0.960	1.039
N	100		3.937	
T		30.4		1.197

BASE QTY	BULK QTY
1000	1000

\* on sales type

Table 8: Revision History

Date	Revision	Description of Changes
11/Apr/2005	1	First Release.

Information furnished is believed to be accurate and reliable. However, STMicroelectronics assumes no responsibility for the consequences of use of such information nor for any infringement of patents or other rights of third parties which may result from its use. No license is granted by implication or otherwise under any patent or patent rights of STMicroelectronics. Specifications mentioned in this publication are subject to change without notice. This publication supersedes and replaces all information previously supplied. STMicroelectronics products are not authorized for use as critical components in life support devices or systems without express written approval of STMicroelectronics.

The ST logo is a registered trademark of STMicroelectronics

All other names are the property of their respective owners

© 2005 STMicroelectronics - All Rights Reserved

STMicroelectronics group of companies

Australia - Belgium - Brazil - Canada - China - Czech Republic - Finland - France - Germany - Hong Kong - India - Israel - Italy - Japan - Malaysia - Malta - Morocco - Singapore - Spain - Sweden - Switzerland - United Kingdom - United States of America