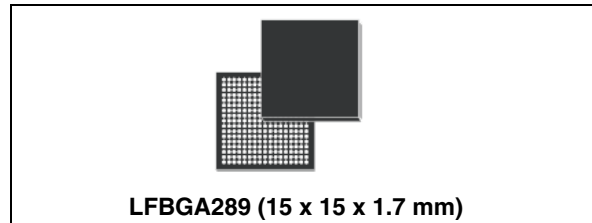


## Embedded MPU with ARM926 core for industrial and consumer applications

Datasheet – production data

### Features

- ARM926EJ-S CPU core, up to 333 MHz
- Multilayer bus matrix, up to 166 MHz
- Internal memories: 32 KB ROM, 8 KB SRAM
- Memory interfaces:
  - DDR controller (DDR2-666, LPDDR-333), 8-/16-bit
  - Serial NOR Flash controller
  - Parallel NAND Flash controller, 8-/16-bit data bus
  - Parallel NOR Flash/FPGA interface, 8-/16-bit data bus
- Connectivity:
  - 2 x USB 2.0 Host ports (integrated PHY)
  - 1 x USB 2.0 Device port (integrated PHY)
  - 2 x Fast Ethernet ports (external MII/RMII PHY)
  - 1 x MMC-SD card/SDIO controller
  - 2 x CAN 2.0 ports
  - 7 x UART ports
  - 3 x I2C ports: master/slave
  - 3 x synchronous serial ports, SPI/Microwire/TI protocols, master/slave
  - 1 x RS485 interface
  - 1 x fast IrDA interface
  - 1 x legacy parallel port (IEEE 1284), slave mode
  - 10-bit ADC, 8 channels, 1 Msps
  - Up to 102 GPIOs with interrupt capability
- HMI support:
  - LCD display controller, up to XGA (1024 x 768, 24 bpp)
  - Resistive touchscreen interface
  - JPEG codec accelerator
  - 1 x I2S digital audio port
- Security
  - Cryptographic co-processor



- Miscellaneous functions:
  - System controller, vectored interrupt controller, watchdog, real-time clock
  - Dynamic power-saving features
  - 8-channel DMA controller
  - 6 x 16-bit general purpose timers with prescaler and 4 capture inputs
  - 4 x PWM generators
  - Debug and trace interfaces: JTAG/ETM

### Applications

The SPEAr320S embedded MPU is configurable for a range of industrial and consumer applications such as:

- Human machine interface (HMI) terminals
- Factory automation / PLCs
- Medical equipment
- Smart energy meters and gateways
- VoIP phones
- Small printers

The device is hardware-compliant to the support of both real-time (RTOS) and high-level (HLOS) operating systems, such as Linux and Windows Embedded Compact 7.

**Table 1. Device summary**

Order code	Temp range, °C	Package	Packing
SPEAr320S-2	-40 to 85	LFBGA289 (15x15 mm, pitch 0.8 mm)	Tray

# Contents

<b>1</b>	<b>Description</b> .....	<b>9</b>
<b>2</b>	<b>Device functions</b> .....	<b>11</b>
2.1	CPU subsystem .....	11
2.2	Internal memories (BootROM/SRAM) .....	11
2.3	Multiport DDR controller (MPMC) .....	12
2.4	Serial NOR Flash controller (SMI) .....	12
2.5	Parallel NAND Flash controller (FSMC) .....	14
2.6	External memory interface (EMI) .....	15
2.7	USB 2.0 Host ports (UHC) .....	15
2.8	USB 2.0 Device port (UDC) .....	16
2.9	Fast Ethernet ports (MII/RMII) .....	16
2.9.1	MII0 Ethernet controller .....	16
2.9.2	RMII0 and MII1/RMII1 Ethernet controllers .....	17
2.10	MMC-SD card/SDIO controller .....	17
2.11	CAN 2.0 ports .....	18
2.12	Asynchronous serial ports (UART) .....	19
2.13	I2C bus ports (I2C) .....	20
2.14	Synchronous serial ports (SSP) .....	20
2.15	RS485 port (RS485) .....	21
2.16	Fast infrared port (IrDA) .....	21
2.17	Legacy IEEE 1284 parallel port (SPP) .....	21
2.18	A/D converter (ADC) .....	22
2.19	General purpose I/Os (GPIO/XGPIO) .....	22
2.20	LCD display controller (CLCD) .....	23
2.21	Touchscreen interface (TOUCHSCREEN) .....	23
2.22	JPEG codec accelerator (JPGC) .....	24
2.23	Digital audio port (I2S) .....	24
2.24	Cryptographic co-processor (C3) .....	24
2.25	System controller (SYSCTR) .....	25
2.25.1	Reset and clock generator .....	26

2.26	Vectored interrupt controller (VIC) .....	26
2.27	Watchdog timer (WDT) .....	27
2.28	Real-time clock (RTC) .....	27
2.29	DMA controller (DMAC) .....	27
2.30	General purpose timers (GPT) .....	28
2.31	Pulse width modulators (PWM) .....	28
<b>3</b>	<b>Pin description .....</b>	<b>29</b>
3.1	Pin/ball map .....	30
3.2	Required external components .....	31
3.3	Dedicated pins description .....	31
3.3.1	Clock, reset and 3V3 comparator pins .....	31
3.3.2	Power supply pins .....	32
3.3.3	Debug pins .....	33
3.3.4	Non-multiplexed pins .....	33
3.4	Shared IO pins (PL_GPIOs) .....	37
3.4.1	PL_GPIO / PL_CLK pins description .....	37
3.4.2	Extended mode: RMII automation networking mode .....	37
3.4.3	Alternate functions .....	38
3.4.4	Legacy configuration modes .....	38
3.4.5	Boot pins .....	41
3.4.6	GPIOs .....	41
3.4.7	Multiplexing scheme .....	42
3.4.8	Multiplexed signals description .....	49
3.5	PL_GPIO and PL_CLK pin sharing for debug and test modes .....	66
<b>4</b>	<b>Electrical characteristics .....</b>	<b>67</b>
4.1	Absolute maximum ratings .....	67
4.2	Maximum power consumption .....	67
4.3	Recommended operating conditions .....	68
4.4	Overshoot and undershoot .....	68
4.5	3.3V I/O characteristics .....	69
4.6	Clocking parameters .....	70
4.6.1	Master clock (MCLK) .....	70
4.6.2	Real-time clock (RTC) .....	72

4.7	LPDDR and DDR2 pin characteristics	74
4.8	ADC pin characteristics	75
4.9	Power-up sequence	76
4.10	Power-down sequence	76
4.11	Reset release	77
<b>5</b>	<b>Timing requirements</b>	<b>78</b>
5.1	External interrupt timing characteristics	78
5.2	Reset timing characteristics	78
5.3	CAN timing characteristics	79
5.4	CLCD timing characteristics	80
5.5	DDR2/LPDDR timing characteristics	81
5.5.1	DDR2/LPDDR read cycle timing characteristics	81
5.5.2	DDR2/LPDDR write cycle timing characteristics	82
5.5.3	DDR2/LPDDR command timing characteristics	82
5.6	EMI timing characteristics	83
5.7	Ethernet MII timing characteristics	85
5.7.1	MII transmit timing characteristics	85
5.7.2	MII receive timing characteristics	86
5.7.3	MDC/MDIO timing characteristics	86
5.8	Ethernet RMII timing characteristics	87
5.8.1	RMII transmit timing characteristics	87
5.8.2	RMII receive timing characteristics	87
5.9	FSMC timing characteristics	89
5.10	GPIO/XGPIO timing characteristics	91
5.11	I <sup>2</sup> C timing characteristics	92
5.12	I2S timing characteristics	94
5.13	PWM timing characteristics	94
5.14	SD timing characteristics	96
5.15	SMI timing characteristics	97
5.16	SSP timing characteristics	98
5.16.1	SPI master mode timings	98
5.16.2	SPI slave mode timings	103
5.17	SPP timing characteristics	103

---

5.18	UART timing characteristics .....	103
<b>6</b>	<b>Package information .....</b>	<b>106</b>
<b>Appendix A</b>	<b>Acronyms .....</b>	<b>108</b>
<b>Revision history</b>	<b>.....</b>	<b>111</b>

## List of tables

Table 1.	Device summary . . . . .	1
Table 2.	NAND Flash devices supported by the BootROM firmware . . . . .	14
Table 3.	SPEAr320S UART capabilities . . . . .	19
Table 4.	Pixel widths and formats available for different display types. . . . .	23
Table 5.	Headers/abbreviations . . . . .	29
Table 6.	MCLK, RTC, Reset and 3.3 V comparator pins description . . . . .	31
Table 7.	Power supply pins description . . . . .	32
Table 8.	Debug pins description . . . . .	33
Table 9.	SMI pins description . . . . .	33
Table 10.	USB pins description . . . . .	34
Table 11.	ADC pins description . . . . .	34
Table 12.	DDR pins description . . . . .	35
Table 13.	PL_GPIO / PL_CLK pins description . . . . .	37
Table 14.	Boot pins description . . . . .	41
Table 15.	PL_GPIO/PL_CLK multiplexing scheme and reset states . . . . .	43
Table 16.	Table shading reference for Table 15 multiplexing scheme . . . . .	48
Table 17.	FSMC signals description . . . . .	49
Table 18.	EMI signals description . . . . .	50
Table 19.	CLCD signals description . . . . .	52
Table 20.	Touchscreen signal description . . . . .	53
Table 21.	UART signals description . . . . .	53
Table 22.	CAN signals description . . . . .	55
Table 23.	MMC-SD/SDIO controller signals description . . . . .	56
Table 24.	PWM signals description . . . . .	56
Table 25.	GPT signals description . . . . .	57
Table 26.	IrDA signals description . . . . .	57
Table 27.	SSP signals description . . . . .	58
Table 28.	I2C signals description . . . . .	60
Table 29.	I2S signals description . . . . .	60
Table 30.	SPP signals description . . . . .	61
Table 31.	Ethernet signals description . . . . .	62
Table 32.	Ball sharing during debug . . . . .	66
Table 33.	Absolute maximum ratings . . . . .	67
Table 34.	Maximum power consumption . . . . .	67
Table 35.	Recommended operating conditions . . . . .	68
Table 36.	Overshoot and undershoot specifications. . . . .	68
Table 37.	Low voltage TTL DC input specification ( $3\text{ V} < V_{DD} < 3.6\text{ V}$ ) . . . . .	69
Table 38.	Low voltage TTL DC output specification ( $3\text{ V} < V_{DD} < 3.6\text{ V}$ ) . . . . .	69
Table 39.	Pull-up and pull-down characteristics . . . . .	69
Table 40.	MCLK oscillator characteristics. . . . .	70
Table 41.	MCLK external user clock source characteristics . . . . .	71
Table 42.	RTC oscillator characteristics . . . . .	72
Table 43.	RTC external user clock source characteristics . . . . .	73
Table 44.	DC characteristics . . . . .	74
Table 45.	Driver characteristics . . . . .	74
Table 46.	On-die termination . . . . .	74
Table 47.	Reference voltage . . . . .	74
Table 48.	ADC pin characteristics . . . . .	75

Table 49.	PL_GPIO external interrupt input timing . . . . .	78
Table 50.	Reset timing characteristics . . . . .	78
Table 51.	CAN timing characteristics . . . . .	79
Table 52.	CLCD timing requirements . . . . .	80
Table 53.	DDR2/LPDDR read cycle timing requirements . . . . .	81
Table 54.	DDR2/LPDDR write cycle timing requirements . . . . .	82
Table 55.	DDR2/LPDDR command timing requirements . . . . .	82
Table 56.	EMI timing requirements for read cycle with acknowledgement on WAIT . . . . .	83
Table 57.	EMI timing requirements for write cycle with acknowledgement on WAIT . . . . .	84
Table 58.	EMI signals timing requirements . . . . .	85
Table 59.	MII TX timing requirements . . . . .	85
Table 60.	MII RX timing requirements . . . . .	86
Table 61.	MDC timing requirements . . . . .	86
Table 62.	RMII TX timing requirements . . . . .	87
Table 63.	RMII RX timing requirements . . . . .	88
Table 64.	FSMC timing requirements . . . . .	90
Table 65.	FSMC signals timing requirements . . . . .	90
Table 66.	I <sup>2</sup> C timing requirements in high-speed mode . . . . .	93
Table 67.	I <sup>2</sup> C timing requirements in fast-speed mode . . . . .	93
Table 68.	I <sup>2</sup> C timing requirements in standard-speed mode . . . . .	93
Table 69.	I2S timing requirements . . . . .	94
Table 70.	PWM timing characteristics . . . . .	95
Table 71.	SD timing requirements (high-speed mode, 48 MHz) . . . . .	96
Table 72.	SD timing requirements (full-speed mode, 24 MHz) . . . . .	96
Table 73.	SMI timing requirements . . . . .	97
Table 74.	SPI master mode timing characteristics (SPH = 0, SPO=0) . . . . .	99
Table 75.	SPI master mode timing characteristics (SPH = 0, SPO=1) . . . . .	100
Table 76.	SPI master mode timing characteristics (SPH = 1, SPO=0) . . . . .	101
Table 77.	SPI master mode timing characteristics (SPH = 1, SPO=1) . . . . .	102
Table 78.	SSP timing characteristics (slave mode) . . . . .	103
Table 79.	UART transmit timing characteristics . . . . .	104
Table 80.	UART receive timing characteristics . . . . .	104
Table 81.	RS485_OE transmit and receive timing characteristics . . . . .	105
Table 82.	LFBGA289 (15 x 15 x 1.7 mm) mechanical data . . . . .	106
Table 83.	LFBGA289 package thermal characteristics . . . . .	107
Table 84.	List of acronyms . . . . .	108
Table 85.	Document revision history . . . . .	111

## List of figures

Figure 1.	SPEAr320S architectural block diagram.....	10
Figure 2.	SPEAr320S pin/ball map .....	30
Figure 3.	Hierarchical multiplexing scheme .....	42
Figure 4.	MCLK crystal connection .....	70
Figure 5.	RTC crystal connection.....	72
Figure 6.	Power-up sequence .....	76
Figure 7.	Cold reset release .....	77
Figure 8.	Warm reset release .....	77
Figure 9.	CLCD waveform .....	80
Figure 10.	DDR2/LPDDR read cycle waveform .....	81
Figure 11.	DDR2/LPDDR write cycle waveform.....	82
Figure 12.	DDR2/LPDDR command waveform .....	82
Figure 13.	EMI read cycle waveform with acknowledgement on EMI_WAIT.....	83
Figure 14.	EMI write cycle waveform with acknowledgement on EMI_WAIT .....	83
Figure 15.	EMI read cycle waveform without acknowledgement on EMI_WAIT .....	84
Figure 16.	EMI write cycle waveform without acknowledgement on EMI_WAIT .....	84
Figure 17.	MII TX waveform.....	85
Figure 18.	MII RX waveform .....	86
Figure 19.	MDC waveform .....	86
Figure 20.	RMII TX waveform .....	87
Figure 21.	RMII RX waveform .....	87
Figure 22.	Output command signal waveform .....	89
Figure 23.	Output address signal waveform .....	89
Figure 24.	In/out data address signal waveform .....	89
Figure 25.	Output signal waveform for I <sup>2</sup> C signals .....	92
Figure 26.	RC delay circuit.....	93
Figure 27.	I2S waveform .....	94
Figure 28.	PWM timing waveforms .....	94
Figure 29.	SD timing waveform .....	96
Figure 30.	SMI input/output waveform.....	97
Figure 31.	SSP_SCK waveform.....	98
Figure 32.	SPI master mode external timing waveform (SPH= 0, SPO =0 ) .....	98
Figure 33.	SPI master mode external timing waveform (SPH= 0, SPO =1 ) .....	100
Figure 34.	SPI master mode external timing waveform (SPH = 1, SPO = 0).....	101
Figure 35.	SPI master mode external timing waveform (SPH = 1, SPO = 1).....	102
Figure 36.	SPP timing waveform .....	103
Figure 37.	UART transmit and receive waveform .....	103
Figure 38.	RS485_OE transmit and receive waveform .....	104
Figure 39.	LFPGA289 package dimensions .....	107



# 1 Description

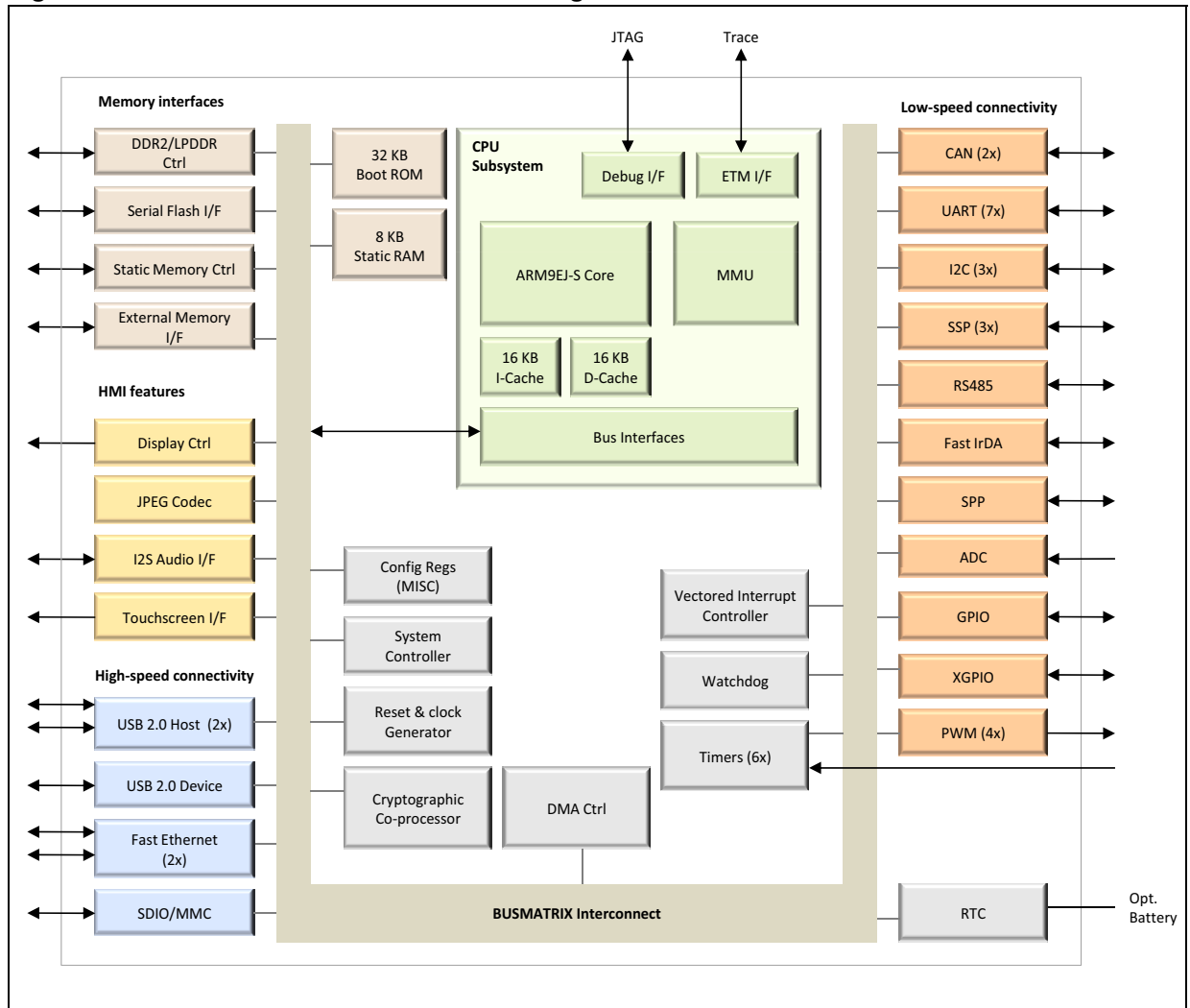
SPEAr320S is a member of the SPEAr family of embedded MPUs and is optimized for industrial automation and consumer markets. The device is based on the ARM926EJ-S processor (up to 333 MHz), widely used in applications where the processing performance is required to be higher than the one achievable with microcontrollers.

SPEAr320S provides an integrated MMU (memory management unit) which enables to support high-level operating systems (HLOS), such as Linux and Windows Embedded Compact 7. In addition, a rich set of integrated peripherals (memory interfaces, connectivity, HMI, cryptography) allows the device to be used in a wide range of embedded applications.

The SPEAr320S architecture is based on multiple functional blocks interacting through a multilayer interconnection bus matrix. The switch matrix structure allows different subsystem data flows to be executed in parallel improving the core platform efficiency. High performance master agents are directly interconnected with the memory controller reducing the memory access latency. The overall memory bandwidth assigned to each master port can be programmed and optimized through an internal efficient weighted round-robin arbitration mechanism.

The SPEAr320S device is fully backward-compatible with the previous SPEAr320 product at both hardware and software programming levels. The extended functionality is achieved by enhanced I/O multiplexing, preserving the same pinout and ball map, as well as by a new software-definable configuration mode.

Figure 1. SPEAr320S architectural block diagram



## 2 Device functions

### 2.1 CPU subsystem

The core of the SPEAr320S is an ARM926EJ-S reduced instruction set computer (RISC) processor.

**Main features:**

- Supports the 32-bit ARM and 16-bit Thumb instruction sets, enabling the user to trade off between high performance and high code density. It also includes features for efficient execution of Java byte codes.
- The ARM CPU can be clocked at a frequency up to 333 MHz and includes both an instruction (16 KB) and a data cache (16 KB). In addition to the capability of running any real-time operating system (RTOS) available for ARM9 processors, the ARM926EJ-S subsystem also provides a memory management unit (MMU) that enables to support high-level operating systems (HLOS) like Linux and Windows Embedded Compact 7.
- Includes an embedded trace module (ETM Medium+) for real-time CPU activity tracing and debugging. It supports 4-bit and 8-bit normal trace mode and 4-bit demultiplexed trace mode, with normal or half-rate clock.

For detailed information, please refer to the following public documents available from the ARM Ltd. website:

- *CPU Core:*  
ARM9EJ-S, Technical Reference Manual, Revision: r1p2  
<http://infocenter.arm.com/help/topic/com.arm.doc.ddi0222b/DDI0222.pdf>
- *CPU Subsystem:*  
ARM926EJ-S, Technical Reference Manual, Revision: r0p5  
[http://infocenter.arm.com/help/topic/com.arm.doc.ddi0198e/DDI0198E\\_arm926ejs\\_r0p5\\_tm.pdf](http://infocenter.arm.com/help/topic/com.arm.doc.ddi0198e/DDI0198E_arm926ejs_r0p5_tm.pdf)

### 2.2 Internal memories (BootROM/SRAM)

SPEAr320S integrates two embedded memories:

- 32 KB ROM (BootROM), storing a factory-defined device bootstrap firmware.
- 8 KB Static RAM (SRAM), partly used by bootstrap firmware, but also available as general-purpose memory after system startup.

The firmware in BootROM is automatically executed after SPEAr320S reset and supports the following bootstrap modes:

- Boot from serial NOR Flash
- Boot from parallel NAND Flash
- Boot from parallel NOR Flash
- Boot from USB Device port
- Boot from UART0
- Boot from Ethernet (MII0)

The BootROM firmware selects the boot mode from the boot pin settings (see [Section 3.4.5: Boot pins](#)). A setting is also available to allow the BootROM execution to be bypassed.

The first three modes support alternate ways of locating and starting the selected operating system or target custom software. Such modes require a second-level boot firmware to be stored in external Flash memory. A reference code for such boot loader (called “XLoader”) is provided by STMicroelectronics in source and binary formats for the SPEAr320S evaluation boards. Such code must be adapted according to the specific DDR memory components found on target customer systems.

The fourth mode can be used for installing and updating the software on external Flash memories through a PC-based software utility provided by STMicroelectronics exploiting a USB link between a PC and a target SPEAr320S board.

The sixth mode used the MII0 port and is based on two standard protocols: DHCP (to get an IP address over the network) and TFTP (for receiving xloader and u-boot binary images).

## 2.3 Multiport DDR controller (MPMC)

SPEAr320S integrates a high-performance controller able to manage DDR2 (double data rate) and LPDDR (low power DDR) external dynamic memory devices.

### Main features:

- Support for DDR2 up to 333 MHz (666 MT/sec)
- Support for LPDDR up to 166 MHz (333 MT/sec)
- Support for 8-/16-bit external data bus
- Support for up to 1 GByte DDR2/LPDDR memory address space
- Full initialization of memories on controller reset
- 6 independent internal ports: five of them are used to access the external memory while one is reserved for programming the controller configuration registers
- Programmable built-in port arbitration scheme to ensure high memory bandwidth utilization
- Fully pipelined read and write commands
- Self-refresh mode for power saving
- Integrated physical layer (PHY) and delay locked loops (DLLs) for fine tuning of the timing parameters, maximizing the data valid windows at different frequencies

## 2.4 Serial NOR Flash controller (SMI)

SPEAr320S integrates a Flash memory controller able to manage serial, SPI-compatible, NOR Flash and EEPROM external memory devices.

### Main features:

- Support for up to 32 MByte external serial memory storage capacity (2 x 16 MB addressable banks by independent chip select signals)
- SMI clock up to 50 MHz (fast read mode) or 20 MHz (normal mode), with software configurable 7-bit prescaler

The bootstrap requires that the external serial Flash is located at bank 0 (enabled after power-on reset). During the boot phase, a sequence of instructions is automatically sent to bank 0. Refer to the SPEAr320S reference manuals for more details.

The BootROM firmware has been tested with the following external serial memory components:

- Micron M25P and M45P families (SPI Flash)
- STMicroelectronics M95 family (SPI EEPROM), except for M95040, M95020 and M95010
- ATMEL AT25F family (SPI Flash)
- YMC Y25F family (SPI Flash)
- Microchip/SST SST25LF family (SPI Flash)

## 2.5 Parallel NAND Flash controller (FSMC)

SPEAr320S integrates a flexible static memory controller able to manage external parallel NAND Flash memories.

### Main features:

- 8-/16-bit external data bus; 16-bit only supported when Mode 3 (expanded automation mode) chip configuration is selected by software.
- Support for up to 4 memory banks
- Independent timing configuration and chip select signal for each memory bank
- Fully programmable timings:
  - wait states (up to 31)
  - bus turnaround cycles (up to 15)
  - output enable and write enable delays (up to 15)
- External asynchronous wait control
- Internal AHB bus burst transfer support to reduce Flash memory access time

The BootROM firmware directly supports the external NAND Flash components shown in [Table 2](#).

**Table 2. NAND Flash devices supported by the BootROM firmware**

Part number	Vendor	Density	Capacity	Bus width	Page size
K9F1208V0A	Samsung	64 Mb	8 MB	x8	512 + 16 bytes
NAND128W3A28N6	Micron	128 Mb	16 MB	x8	512 + 16 bytes
NAND256W3A2BN6	Micron	256 Mb	32 MB	x8	512 + 16 bytes
KM29U256	Samsung	256 Mb	32 MB	x8	512 + 16 bytes
NAND512W3A2C2A6	Micron	512 Mb	64 MB	x8	512 + 16 bytes
NAND01GW3B2BN6	Micron	1 Gb	128 MB	x8	2048 + 64 bytes
NAND01GW4B2AN6	Micron	1 Gb	128 MB	x16	1024 words + 32 bytes
K9F1G16U0M	Samsung	1 Gb	128 MB	x16	1024 words + 32 bytes
NAND01GR3B	Micron	1 Gb	128 MB	x8	2048 + 64 bytes
NAND02GW3B2CN6	Micron	2 Gb	256 MB	x8	2048 + 64 bytes

**Table 2. NAND Flash devices supported by the BootROM firmware (continued)**

Part number	Vendor	Density	Capacity	Bus width	Page size
NAND02GW3A	Micron	2 Gb	256 MB	x8	2048 + 64 bytes
K9F2G08V0A	Samsung	2 Gb	256 MB	x8	512 + 16 bytes
NAND04GW3B2BN6	Micron	4 Gb	512 MB	x8	2048 + 64 bytes
K9F4G08V0A	Samsung	4 Gb	512 MB	x8	512 + 16 bytes
NAND08GW3B2CN6	Micron	8 Gb	1 GB	x8	2048 + 64 bytes
K9K8G08V0A	Samsung	8 Gb	1 GB	x8	512 + 16 bytes
K9F8G08V0M	Samsung	8 Gb	1 GB	x8	512 + 16 bytes

## 2.6 External memory interface (EMI)

SPEAr320S integrates an additional external memory interface that can be used to manage external parallel NOR Flash memories as well as FPGA devices. This interface is available only when Mode 3 (expanded automation mode) chip configuration is selected by software.

### Main features:

- 24-bit address bus
- 16-bit data bus
- 4 chip select signals
- Support for single asynchronous transfers
- Support for peripherals using Byte Lane procedure

The external Flash component must be in read mode at reset. Usually, this is true for most parallel NOR devices.

## 2.7 USB 2.0 Host ports (UHC)

SPEAr320S provides two USB 2.0 Host ports with integrated PHYs.

### Main features:

- Each port can be independently configured for high-speed mode (USB 2.0, up to 480 Mbps); in this case, the corresponding controller is programmed according to standard EHCI specifications.
- Each port can be independently configured for full-speed mode (USB 1.1, up to 12 Mbps) or low-speed mode (USB 1.1, up to 1.5 Mbps); in this case, the corresponding controller is programmed according to standard OHCI specifications.
- Internal 2 KB FIFO queues
- Internal DMA support
- Dedicated output control signals to manage external power switches
- Dedicated input signals to sense any over-current condition detected by external power switches

## 2.8 USB 2.0 Device port (UDC)

SPEAr320S provides a USB 2.0 Device port with integrated PHY.

### Main features:

- Support for all standard modes:
  - high-speed mode (USB 2.0, up to 480 Mbps)
  - full-speed mode (USB 1.1, up to 12 Mbps)
  - low-speed mode (USB 1.1, up to 1.5 Mbps)
- Up to 16 physical endpoints, configurable as different logical endpoints
- Internal 4 KB FIFO queue (shared among all the endpoints)
- DMA mode, with descriptor-based structures in application memory
- Slave-only mode
- Support for 8-, 16- and 32-bit wide data transactions on the internal bus
- Support for USB plug detection (UPD)

## 2.9 Fast Ethernet ports (MII/RMII)

SPEAr320S features three multiplexed Ethernet MACs, supporting up to two ports concurrently.

The three controllers are named:

- MII0
- RMII0
- MII1/RMII1

### 2.9.1 MII0 Ethernet controller

#### Main features:

- Media independent interface (MII) to an external PHY as defined in the IEEE 802.3u specification
- Support for 10 and 100 Mbps data transfer rates
- Support for both full-duplex and half-duplex (CSMA/CD protocol) operating modes
- Integrated FIFO queues (4 KB RX, 2 KB TX)
- Native DMA with single-channel transmit and receive engines, providing 32-/64-/128-bit data transfers; DMA provides ring-buffer or linked-list descriptor options.
- Programmable Ethernet frame length to support both standard and jumbo frames (with size up to 16 KB)
- Flexible address filtering modes
- Statistics counter registers for RMON/MIB
- Support for 802.1Q VLAN tagging
- Wake-on-LAN support
- Automatic padding and CRC generation on transmitted frames



## 2.9.2 RMIIO and MII1/RMII1 Ethernet controllers

These functional blocks extend Ethernet capability by covering the Media independent interface (MII) and Reduced media independent interface (RMII) standards.

They can be used in two ways:

- as a single additional MAC controller with Media independent interface (MII1)
- as two MAC controllers with Reduced media independent interface (RMIIO, RMII1)

In *RMII configuration*, each controller has an independent set of data and control lines. The reference clock (50 MHz) is shared by the controllers.

### Main features:

- Compatible with IEEE Standard 802.3
- UNH tested
- 10 and 100 Mbit/s operation
- Full and half duplex operation
- Statistics counter registers for RMON/MIB
- Automatic pad and CRC generation on transmitted frames
- Automatic discard of frames received with errors
- Address checking logic supports up to four specific 48-bit addresses
- Supports promiscuous mode where all valid received frames are copied to memory
- Hash matching of unicast and multicast destination addresses
- External address matching of received frames
- Supports serial network interface operation
- Half-duplex flow control by forcing collisions on incoming frames
- Full-duplex flow control with recognition of incoming pause frames and hardware generation of transmitted pause frames
- Support for 802.1Q VLAN tagging with recognition of incoming VLAN and priority tagged frames
- Multiple buffers per receive and transmit frame
- Jumbo frames of up to 10240 bytes supported

## 2.10 MMC-SD card/SDIO controller

The MMC-SD card /SDIO controller conforms to the SD Host Controller Standard Specification, version 2.0. It handles SD/SDIO protocol at transmission level by packing data, adding cyclic redundancy check (CRC) and start/end bit as well as checking for transaction format correctness.

The controller is designed to work with I/O cards, read-only cards and read/write cards, and can operate either in SD mode (1-bit, 4-bit, 8-bit) or in SPI mode.

The interface is compliant to the following standards:

- SD Host Controller Standard Specification, version 2.0
- SDIO Card Specification, version 2.0
- SD Memory Card Specification Draft, version 2.0
- SD Memory Card Security Specification, version 1.01
- MMC Specification, version 3.31 and 4.2

**Main features:**

- Up to 100 Mbps data rate using 4 parallel data lines (SD4 bit mode)
- Up to 416 Mbps data rate using 8-bit parallel data lines (SD8 bit mode)
- DMA-based and non-DMA modes of operation
- Support for MMC Plus and MMC Mobile
- Card detection (insertion / removal)
- Card password protection
- Host clock rate variable between 0 and 48 MHz
- Multimedia card interrupt mode
- Cyclic redundancy check: CRC7 (command) and CRC16 (data integrity)
- Error correction code (ECC) support for MMC4.2 cards
- Supports for Read Wait Control and Suspend/Resume
- FIFO overrun and under-run handling by stopping SD clock

## 2.11 CAN 2.0 ports

SPEAr320S provides two independent CAN (controller area network) bus ports, typically used in automotive, industrial and medical applications. For the connection to the physical layer, an additional transceiver per port is required.

For communication on a CAN network, the controller enables to configure individual message objects. The message objects and identifier masks for acceptance filtering of received messages are stored in an integrated message RAM. All functions concerning the handling of messages are implemented by a message handler. Those functions are the acceptance filtering, the transfer of messages between the CAN core and the message RAM, the handling of transmission requests as well as the generation of interrupts.

**Main features:**

- Support for CAN protocol, version 2.0 part A and B
- Transfer rate up to 1 Mbps
- Internal RAM storage for up to 16 message objects (16 x 136 bytes memory)
- Identifier mask per message object
- Maskable interrupts
- Programmable loop-back mode for self-test operation
- Disabled automatic retransmission mode for time triggered CAN applications

## 2.12 Asynchronous serial ports (UART)

The SPEAr320S has 7 UART ports. The actual number of concurrently exploitable ports depends on the selected chip operating mode. The different capabilities of each port are summarized in [Table 3](#) below.

**Table 3. SPEAr320S UART capabilities**

Port	Speed	Hardware flow control	Modem signals
UART0	Up to 3 Mbps	Yes	Yes (as alternate function)
UART1	Up to 7 Mbps	Yes (except for Mode 1 and 2)	Yes (except for Mode 1 and 2)
UART2 - 6	Up to 7 Mbps	No	No

### Main features:

- Programmable baud rate generator
- Transmit FIFO queue (8-bit data, 16 entries) and receive FIFO queue (12-bit data/status, 16 entries) with disabling option (1-byte buffer depth)
- Supports for DMA operation
- Hardware flow control (RTS,CTS) for some ports and configurations
- Modem control signals (DCD, DSR, DTS, RI) for some ports and configurations
- Fully programmable serial interface with following parameters:
  - data bits: 5, 6, 7 or 8
  - parity: even, odd, stick or none (generation and detection)
  - stop bits: 1 or 2
  - line break handling (generation and detection)
- Flexible interrupt handing and masking

## 2.13 I2C bus ports (I2C)

The SPEAr320S provides three independent I2C bus ports. Each port can be configured as I2C bus master or slave.

### Main features:

- Compliant to the I2C bus specification (Philips)
- Support for the 3 standard speeds:
  - Standard (100 Kbps)
  - Fast (400 kbps)
  - High-speed
- Support for direct memory access (DMA)
- Clock synchronization
- Support for slave operation in multimaster environment
- 7-bit or 10-bit addressing
- 7-bit or 10-bit combined format transfers
- Slave bulk transfer mode
- Transmit and receive buffers
- Interrupt or polled-mode operation
- Handling of bit and byte waiting at all bus speeds
- Digital filter for the received SDA and SCL lines
- Filtering out of legacy CBUS addresses

## 2.14 Synchronous serial ports (SSP)

SPEAr320S provides three independent synchronous serial ports. Each port can be configured as master or slave.

### Main features:

- Support for the following protocols:
  - SPI (Motorola)
  - Microwire (National Semiconductor)
  - SSI (Texas Instruments)
- Programmable parameters:
  - Clock bit rate and prescale
  - Data frame size (from 4 to 16 bits)
- Separate transmit and receive FIFO queues (8 x 16-bit entries)
- Independent masking of transmit FIFO, receive FIFO, and receive overrun interrupts
- Internal loopback test mode available
- DMA interface

## 2.15 RS485 port (RS485)

SPEAr320S provides an additional UART port specialized for the RS485 standard.

### Main features:

- Transmit FIFO queue (8-bit data, 16 entries) and receive FIFO queue (12-bit data/status, 16 entries) with disabling option (1-byte buffer depth)
- Speed up to 7 Mbps

## 2.16 Fast infrared port (IrDA)

SPEAr320S provides an infrared interface compliant to the IrDA (Infrared Data Association) standard specification. An external infrared transceiver is assumed. The Fast IrDa controller performs the modulation and demodulation of the infrared signals as well as the wrapping of IrDA link access protocol (IrLAP) frames.

### Main features:

- Support for the following standards:
  - IrDA serial infrared physical layer specification (IrPHY), version 1.3
  - IrDA link access protocol (IrLAP), version 1.1
- Support for the following modes and baud rates:
  - Serial infrared (SIR): 9.6 Kbps, 19.2 Kbps, 38.4 Kbps, 57.6 Kbps, 115.2 Kbps
  - Medium infrared (MIR): 576 Kbps, 1152 Kbps
  - Fast infrared (FIR): 4 Mbps
- Support for half-duplex infrared frame transmission and reception
- Interface compliant to all IrDA transceivers with configurable polarity of TX and RX signals
- Integrated CRC algorithm: 16-bit (SIR, MIR), 32-bit (FIR)
- Automatic generation of preamble, start and stop flags
- RZI (return-to-zero inverted) modulation/demodulation scheme for SIR and MIR modes
- 4PPM (4-pulse position modulation) modulation/demodulation scheme for FIR mode
- Synchronization by DPLL in FIR mode
- Payload data transfer controllable by either CPU or DMA controller
- Two clock domains:
  - Dedicated clock (IRDA\_CLK signal) for accurate signal generation (48 MHz)
  - Independent and variable clock for the bus interface (13 MHz)

## 2.17 Legacy IEEE 1284 parallel port (SPP)

SPEAr320S provides a parallel port (slave mode only) compliant to the legacy IEEE 1284 standard.

### Main features:

- Unidirectional 8-bit data transfer from external host to SPEAr320S slave
- Additional 9th bit for parity/data/command
- Maskable interrupts for data, device reset, auto line feed

## 2.18 A/D converter (ADC)

SPEAr320S provides an integrated analog-to-digital converter.

### Main features:

- Successive approximation conversion method
- 8 x analog input channels, ranging from 0 to 2.5 V
- 10-bit resolution
- Sampling rate up to 1 Msamples/s
- Support for 13.5-bit resolution at 8 Ksamples/s by oversampling and accumulation
- $INL \pm 1$  LSB,  $DNL \pm 1$  LSB
- Programmable conversion speed (minimum conversion time is 1  $\mu$ s)
- Programmable averaging of multiple values from 1 (no averaging) up to 128
- Programmable auto scan for all the 8 channels

## 2.19 General purpose I/Os (GPIO/XGPIO)

Up to 102 GPIOs are available in SPEAr320S when some embedded IPs are not needed in the customer application (see [Section 3.4: Shared IO pins \(PL\\_GPIOs\)](#)).

SPEAr320S provides two mechanisms:

- a basic GPIO module (called “basGPIO”): this functional block provides 6 pins, each one programmable by software with the following features:
  - Programmable direction: input (default at reset) or output
  - Programmable edge-sensitive and level-sensitive interrupt triggering
- extended GPIOs (XGPIO): this capability allows any PL\_GPIO pin to be configured and used as an alternative to the corresponding predefined signal purpose. XGPIOs have a different register programming model from basic GPIOs with the following features:
  - Programmable direction: input or output
  - Programmable edge-sensitive interrupt triggering

## 2.20 LCD display controller (CLCD)

SPEAr320S has an integrated display controller able to directly interface a variety of color and monochrome LCD panels.

### Main features:

- Programmable resolution up to 1024 x 768 (XGA)
- Programmable timing parameters
- Support for TFT (thin film transistor) color displays
- Supports for STN (super twisted nematic) displays (single and dual panel) with 4- or 8-bit interfaces
- AC bias signal for STN and data enable signal for TFT panels
- Gray scaling algorithm

The set of supported pixel widths and formats for each display type is shown in [Table 4](#).

**Table 4. Pixel widths and formats available for different display types**

Display	1 bpp	2 bpp	4 bpp	8 bpp	16 bpp	24 bpp
Color TFT	Palette of 2 colors over 64K	Palette of 4 colors over 64K	Palette of 16 colors over 64K	Palette of 256 colors over 64K	RGB 5:5:5 + intensity (64K colors)	RGB 8:8:8 (16M colors)
Color STN	Palette of 2 colors over 3375	Palette of 4 colors over 3375	Palette of 16 colors over 3375	Palette of 256 colors over 3375	RGB 4:4:4 (4096 colors)	-
Mono STN	Palette of 2 gray levels over 15	Palette of 4 gray levels over 15	Palette of 16 gray levels over 15	Palette of 256 colors over 3375	-	-

## 2.21 Touchscreen interface (TOUCHSCREEN)

SPEAr320S provides a toggling output signal (TOUCHSCREEN\_X) that can be connected to an external touchscreen panel. This interface operates in combination with the A/D converter (ADC). Two coordinates can be read by software from the ADC: one at the end of the high period and one at the end of the low period of TOUCHSCREEN\_X signal.

## 2.22 JPEG codec accelerator (JPGC)

SPEAr320S provides an integrated hardware accelerator for decoding and encoding standard JPEG images.

JPEG data streams to be decoded must be compliant with the interchange format syntax specified in the ISO/IEC 10918-1. The JFIF image file format is also supported through header processing.

The output format for decoding (and input format for encoding) is a MCU stream, not a conventional bitmap format like RGB. Displaying a decoded JPEG still picture would require further steps and algorithms like color space conversion and scaling.

### Main features:

- Compliance with the baseline JPEG standard (ISO/IEC 10918-1)
- Single-clock per pixel encoding/decoding
- Support for up to four channels of component color
- 8-bit/channel pixel depths
- Programmable quantization tables (up to four)
- Programmable Huffman tables (two AC and two DC)
- Programmable minimum coded unit (MCU)
- Configurable JPEG header processing
- Support for restart marker insertion
- Use of two DMA channels and two 8 x 32-bit FIFOs (local to the JPEG) for efficient transferring and buffering of encoded/decoded data from/to the Codec core.

## 2.23 Digital audio port (I2S)

The SPEAr320S integrates a digital audio port compliant to standard I2S (Philips) specifications.

### Main features:

- I2S master mode
- Stereo (2.0) playback and recording
- Support for standard sampling rates (8, 16, 32, 44.1, 48, 96, 192 kHz); the clock input is 24 MHz, so the rate precision depends on the chosen rate and divider.
- Support of a range of audio samples: 12 / 16 / 20 / 24/ 32 bits
- Programmable thresholds for internal FIFO queues
- Capability of using DMA transfer

## 2.24 Cryptographic co-processor (C3)

SPEAr320S provides an embedded cryptographic co-processor (C3). C3 is a high-performance instruction-driven DMA-based engine that can be used to accelerate the processing of security algorithms.

After its initial configuration by the main CPU, it runs in a completely autonomous way (DMA data in, data processing, DMA data out), until the completion of all the requested operations. C3 firmware is fetched from system memory.



**Main features:**

- Supported cryptographic algorithms:
  - Advanced encryption standard (AES) cipher in ECB, CBC, CTR modes
  - Data encryption standard (DES) cipher in ECB and CBC modes
  - SHA-1, HMAC-SHA-1, MD5, HMAC-MD5 digests
- Hardware chaining of cryptographic stages for optimized data flow when multiple algorithms are required to process the same set of data (for example, encryption and hashing on the fly)

## 2.25 System controller (SYSCTR)

The system controller provides an interface for controlling the operation of the overall system.

**Main features:**

- Power saving system mode control
- Crystal oscillator and PLL control
- Configuration of system response to interrupts
- Reset status capture and soft reset generation
- Watchdog and timer module clock enable

Using three mode control bits, the system controller switches the SPEAr320S to any of the four different modes: DOZE, SLEEP, SLOW and NORMAL.

- **SLEEP mode:** in this mode, the system clocks, HCLK and CLK, are disabled and the system controller clock, SCLK, is driven by a low-speed oscillator (nominally 32768 Hz). When either a FIQ or an IRQ interrupt is generated (through the VIC), the system enters DOZE mode. Additionally, the operating mode setting in the system control register automatically changes from SLEEP to DOZE.
- **DOZE mode:** in this mode, the system clocks, HCLK and CLK, and the system controller clock are driven by a crystal oscillator (24 MHz) or a low-frequency oscillator (32 KHz). The system controller moves into SLEEP mode from DOZE mode only when none of the mode control bits are set and the processor is in wait-for-interrupt state. If SLOW mode or NORMAL mode is required, the system moves into the XTAL control transition state to initialize the crystal oscillator.
- **SLOW mode:** during this mode, both the system clocks and the system controller clock are driven by the crystal oscillator. If NORMAL mode is selected, the system goes into the “PLL control” transition state. If neither the SLOW nor the NORMAL mode control bits are set, the system goes into the “Switch from XTAL” transition state.
- **NORMAL mode:** in NORMAL mode, both the system clocks and the system controller clock are driven by the PLL output. If the NORMAL mode control bit is not set, then the system goes into the “Switch from PLL” transition state.

### 2.25.1 Reset and clock generator

The reset and clock generator is a fully programmable block that generates all the clocks necessary to the chip.

The default operating clock frequencies are:

- Clock @ 333 MHz for the CPU.
- Clock @ 166 MHz for AHB bus and AHB peripherals.
- Clock @ 83 MHz for, APB bus and APB peripherals.
- Clock @ 333 MHz for DDR memory interface.

The default values give the maximum allowed clock frequencies. The clock frequencies are fully programmable through dedicated registers.

The reset and clock generator consists of 2 main parts:

- Multiclock generator block
- 3 internal PLLs

The multiclock generator block receives a reference signal (which is usually delivered by the PLL) and generates all clocks for SPEAr320S IPs according to dedicated programmable registers.

Each PLL uses an oscillator input of 24 MHz to generate a clock signal at a frequency corresponding at the highest of the group. This is the reference signal used by the multiclock generator block to obtain all the other requested clocks for the group. Its main feature is the electromagnetic interference reduction capability.

You can set up PLL1 and PLL2 in order to modulate the VCO with a triangular wave. The resulting signal has a spectrum (and power) spread over a small programmable range of frequencies centered on F0 (the VCO frequency), obtaining minimum electromagnetic emissions. This method replaces all the other traditional methods of EMI reduction, such as filtering, ferrite beads, chokes, adding power layers and ground planes to PCBs, metal shielding and so on. This offers important cost savings.

### 2.26 Vectored interrupt controller (VIC)

SPEAr320S integrates a vectored interrupt controller which provides a software interface to the interrupt system. In any system with an interrupt controller, the software has to determine the source that requests service and where its service routine is loaded. The VIC inside SPEAr320S does both of these in hardware. It supplies the starting address, or vector address, of the service routine corresponding to the highest priority requesting interrupt source.

As in any ARM9-based system, two levels of interrupts are available:

- fast interrupt requests (FIQ), for fast, low latency interrupt handling
- normal interrupt requests (IRQ), for more general interrupts

The interrupt inputs must be level sensitive, active HIGH, and held asserted until the interrupt service routine clears the interrupt. Edge-triggered interrupts are not compatible. The interrupt inputs do not have to be synchronous to HCLK. The VIC does not handle interrupt sources with transient behavior. For example, an interrupt is asserted and then de-asserted before software can clear the interrupt source. In this case, the CPU acknowledges the interrupt and obtains the vectored address for the interrupt from the VIC, assuming that no other interrupt has occurred to overwrite the vectored address. However, when a

transient interrupt occurs, the priority logic of the VIC is not set, and lower priority interrupts can interrupt the transient interrupt service routine, assuming interrupt nesting is permitted.

There are 32 interrupt lines. The VIC uses a bit position for each different interrupt source. The software can control each request line to generate software interrupts. There are 16 vectored interrupts. These interrupts can only generate an IRQ interrupt. The vectored and non-vectored IRQ interrupts provide an address for an interrupt service routine (ISR). The FIQ interrupt has the highest priority, followed by interrupt vector 0 to interrupt vector 15. Non-vectored IRQ interrupts have the lowest priority.

The specific interrupt map for the SPEAr320S device is documented in the companion reference manuals.

## 2.27 Watchdog timer (WDT)

The ARM watchdog module consists of a 32-bit down counter with a programmable time-out interval that has the capability to generate an interrupt and a reset signal on timing out. The watchdog module is intended to be used to apply a reset to a system in the event of a software failure.

## 2.28 Real-time clock (RTC)

The real-time clock provides an 1-second resolution clock. This keeps time when the system is inactive and can be used to wake the system up when a programmed alarm time is reached.

### Main features:

- Time-of-day clock in 24 hour mode
- Calendar
- Alarm capability
- Isolation mode, allowing RTC to work even if power is not supplied to the rest of the device.

## 2.29 DMA controller (DMAC)

SPEAr320S provides one DMA controller.

### Main features:

- Able to service up to 8 independent DMA channels for serial data transfers between single source and destination (for instance, memory-to-memory, memory-to-peripheral, peripheral to- memory, and peripheral-to-peripheral).
- Each DMA channel can support a unidirectional transfer, with internal four-word FIFO per channel.

## 2.30 General purpose timers (GPT)

SPEAr320S provides 6 general purpose timers.

**Main features:**

- Each timer provides a programmable 16-bit counter and a dedicated prescaler able to perform a clock division by 1 up to 256 (different input frequencies can be chosen through configuration registers, in the range from 3.96 Hz to 48 MHz)
- Operating modes:
  - Auto-reload mode: when a software-defined value is reached, an interrupt is triggered and the counter automatically restarts from zero
  - Single-shot mode: when a software-defined value is reached, an interrupt is triggered, the counter is stopped and the timer is disabled
- Capture capability (only for 4 timers)

## 2.31 Pulse width modulators (PWM)

SPEAr320S integrates 4 PWM (pulse width modulation) signal generators.

**Main features:**

- Prescaler to define the input clock frequency to each timer
- Programmable duty cycle from 0% to 100%
- Programmable pulse length

### 3 Pin description

This chapter provides a full description of the ball characteristics and the signal multiplexing of SPEAr320S device.

[Section 3.1](#) shows the pin/ball map of SPEAr320S.

[Section 3.2](#) lists the required external components to connect.

[Section 3.3](#) describes some dedicated pins, such as:

- [Clock, reset and 3V3 comparator pins](#)
- [Power supply pins](#)
- [Debug pins](#)
- [Non-multiplexed pins](#)

[Section 3.4](#) provides a complete description of the shared IO pins (PL\_GPIOs) and their configuration modes, as well as detailed information on all multiplexed signals, grouped by IP.

[Section 3.5](#) explains the available debug modes.

The following table defines the table headers and abbreviations used in this chapter.

**Table 5. Headers/abbreviations**

Header	Description	Abbreviations
<b>Group</b>	Grouping of signals of the same type/functional block.	–
<b>Signal name</b>	Name of signal multiplexed on each ball.	–
<b>Direction (Dir.)</b>	Indicates the direction of the signal.	I= Input O= Output IO= Input/output
<b>PL_GPIO_# /Ball</b>	PL_GPIO and ball number associated with each signal on the package.	–
<b>Configuration mode</b>	Indicates the available configuration mode among the following ones: – Mode 1 – Mode 2 – Mode 3 – Mode 4 – Alternate function – Extended mode See <a href="#">Section 3.4.2</a> for the description of each mode.	–
<b>Pin type</b>	Pad type information	PU= Pull Up PD= Pull Down GND= Ground
<b>Value</b>	Indicates the electrical value on the ball.	–



### 3.1 Pin/ball map

Figure 2. SPEAr320S pin/ball map

	1	2	3	4	5	6	7	8	9	10	11	12	13	14	15	16	17
<b>A</b>	PL_GPIO_13	PL_GPIO_14	PL_GPIO_19	PL_GPIO_23	PL_GPIO_26	PL_GPIO_28	PL_GPIO_29	PL_GPIO_38	PL_GPIO_39	PL_GPIO_44	PL_GPIO_46	PL_GPIO_50	PL_GPIO_55	PL_GPIO_60	PL_GPIO_62	PL_GPIO_69	PL_GPIO_73
<b>B</b>	PL_GPIO_6	PL_GPIO_9	PL_GPIO_15	PL_GPIO_20	PL_GPIO_24	PL_GPIO_27	PL_GPIO_30	PL_GPIO_37	PL_GPIO_40	PL_GPIO_45	PL_GPIO_48	PL_GPIO_52	PL_GPIO_59	PL_GPIO_65	PL_GPIO_68	PL_GPIO_72	PL_GPIO_77
<b>C</b>	PL_GPIO_4	PL_GPIO_8	PL_GPIO_10	PL_GPIO_17	PL_GPIO_21	PL_GPIO_25	PL_GPIO_31	PL_GPIO_36	PL_GPIO_41	PL_GPIO_47	PL_GPIO_49	PL_GPIO_56	PL_GPIO_63	PL_GPIO_67	PL_GPIO_70	PL_GPIO_74	PL_GPIO_81
<b>D</b>	PL_GPIO_3	PL_GPIO_5	PL_GPIO_7	PL_GPIO_12	PL_GPIO_18	PL_GPIO_22	PL_GPIO_32	PL_GPIO_35	PL_GPIO_42	PL_GPIO_51	PL_GPIO_53	PL_GPIO_58	PL_GPIO_64	PL_GPIO_71	PL_GPIO_78	PL_GPIO_80	PL_GPIO_84
<b>E</b>	RTC_XO	RTC_XI	PL_GPIO_1	PL_GPIO_2	PL_GPIO_11	PL_GPIO_16	PL_GPIO_33	PL_GPIO_34	PL_GPIO_43	PL_GPIO_54	PL_GPIO_57	PL_GPIO_61	PL_GPIO_66	PL_GPIO_75	PL_GPIO_82	PL_GPIO_83	PL_GPIO_86
<b>F</b>	RTC_vdd1v5	RTC_gnd	PL_GPIO_0	DIGITAL_GNDBG_COMP	digital_vdde 3v3	digital_vdde 3v3	digital_vdde 3v3	vdd	vdd	digital_vdde 3v3	digital_vdde 3v3	digital_vdde 3v3	PL_GPIO_76	PL_GPIO_79	PL_GPIO_85	PL_GPIO_88	PL_GPIO_89
<b>G</b>	DITH_pll_vss_ana	DITH_pll_vdd_ana	USB_DEVICE_VBUS	DIGITAL_REXT	digital_vdde 3v3	gnd	gnd	gnd	gnd	gnd	gnd	vdd	PL_GPIO_87	PL_GPIO_90	PL_GPIO_91	PL_GPIO_92	PL_GPIO_93
<b>H</b>	USB_HOST1_DP	USB_HOST1_DM	USB_HOST1_VBUS	USB_HOST0_OVERCUR	vdd	gnd	gnd	gnd	gnd	gnd	gnd	vdd	PL_GPIO_94	PL_GPIO_95	PL_GPIO_96	PL_GPIO_97	PL_CLK4
<b>J</b>	USB_HOST1_vdd3v3	gnd	USB_HOST0_VBUS	USB_HOST1_OVERCUR	vdd	gnd	gnd	gnd	gnd	gnd	gnd	digital_vdde 3v3	DDR2_EN	BOOT_SEL	TEST_4	PL_CLK3	PL_CLK2
<b>K</b>	USB_HOST0_DP	USB_HOST0_DM	USB_HOST1_vdd2v5	USB_HOST0_vdd3v3	USB_TXR_TUNE	gnd	gnd	gnd	gnd	gnd	gnd	digital_vdde 3v3	TEST_3	TEST_2	TEST_1	TEST_0	PL_CLK1
<b>L</b>	gnd	USB_HOST0_vdd2v5	gnd	USB_ANALOG_TEST	gnd	gnd	gnd	gnd	gnd	gnd	vdd	digital_vdde 3v3	TMS	TDI	TDO	nTRST	TCK
<b>M</b>	USB_DEVICE_DP	USB_DEVICE_DM	USB_HOST1_HOST0_DEVICE_Dvdd1v2	dith_vdd2v5	DDR_vdde1v8	vdd	vdd	gnd	gnd	gnd	vdd	digital_vdde 3v3	SMI_DATAIN	SMI_DATAOUT	SMI_CS_0	SMI_CS_1	MRESET
<b>N</b>	USB_DEVICE_vdd2v5	gnd	USB_DEVICE_vdd3v3	dith_vss2v5	DDR_vdde1v8	DDR_vdde1v8	DDR_vdde1v8	DDR_vdde1v8	DDR_vdde1v8	DDR_vdde1v8	DDR_vdde1v8	ADC_agnd	ADC_avdd	ADC_VREFN	AIN_1	AIN_0	SMI_CLK
<b>P</b>	MCLK_XI	MCLK_XO	MCLK_GND	DDR_MEM_COMP2V5_GNDBG_COMP	DDR_MEM_ADDR_9	DDR_MEM_ADDR_10	DDR_MEM_BA_0	DDR_MEM_BA_1	DDR_MEM_CS_0	DDR_MEM_VREF	DDR_MEM_DQ_0	DDR_MEM_DQ_6	DDR_MEM_DQ_7	ADC_VREFP	AIN_4	AIN_3	AIN_2
<b>R</b>	MCLK_VDD	MCLK_VDD2V5	MCLK_GNDSUB	DDR_MEM_COMP2V5_GNDBG_COMP	DDR_MEM_ADDR_8	DDR_MEM_ADDR_11	DDR_MEM_ADDR_14	DDR_MEM_BA_2	DDR_MEM_CS_1	DDR_MEM_GATE_OPEN_0	DDR_MEM_DQ_1	DDR_MEM_DQ_5	DDR_MEM_DQ_15	DDR_MEM_GATE_OPEN_1	AIN_7	AIN_6	AIN_5
<b>T</b>	DDR_MEM_ADDR_1	DDR_MEM_ADDR_0	DDR_MEM_ODT_0	DDR_MEM_ODT_1	DDR_MEM_ADDR_7	DDR_MEM_ADDR_12	DDR_MEM_WE	DDR_MEM_CAS	DDR_MEM_CLKP	nDDR_MEM_DQS_0	DDR_MEM_DQ_2	DDR_MEM_DQ_4	DDR_MEM_DQ_14	DDR_MEM_DM_1	nDDR_MEM_DQS_1	DDR_MEM_DQ_9	DDR_MEM_DQ_8
<b>U</b>	DDR_MEM_ADDR_2	DDR_MEM_ADDR_3	DDR_MEM_ADDR_4	DDR_MEM_ADDR_5	DDR_MEM_ADDR_6	DDR_MEM_ADDR_13	DDR_MEM_CLKEN	DDR_MEM_RAS	DDR_MEM_CLKN	DDR_MEM_DQS_0	DDR_MEM_DQ_3	DDR_MEM_DM_0	DDR_MEM_DQ_13	DDR_MEM_DQ_12	DDR_MEM_DQS_1	DDR_MEM_DQ_11	DDR_MEM_DQ_10

## 3.2 Required external components

Some pads require the use of an external component. Please follow the instructions below to ensure the proper functioning of the device:

1. DDR\_COMP\_1V8: place an external 121 k $\Omega$  resistor between ball P4 and ball R4
2. USB\_TX\_RTUNE: connect an external 43.2  $\Omega$  pull-down resistor to ball K5
3. DIGITAL\_REXT: place an external 121 k $\Omega$  resistor between ball G4 and ball F4
4. DITH\_VDD\_2V5: add a ferrite bead to ball M4

## 3.3 Dedicated pins description

### 3.3.1 Clock, reset and 3V3 comparator pins

**Table 6. MCLK, RTC, Reset and 3.3 V comparator pins description**

Group	Signal name	Description	Dir.	Pin type	Ball
Master clock (MCLK)	MCLK_XI	24 MHz (typical) crystal in	I	Oscillator 2.5 V capable	P1
	MCLK_XO	24 MHz (typical) crystal out	O		P2
Real-time clock (RTC)	RTC_XI	32 kHz crystal in	I	Oscillator 1V5 capable	E2
	RTC_XO	32 kHz crystal out	O		E1
Reset	MRESET	Main reset	I	TTL Schmitt trigger input buffer, 3.3 V tolerant	M17
3.3 V comparator	DIGITAL_REXT	Configuration	O	Analog, 3.3 V capable	G4
	DIGITAL_GNDBGCOMP	Power	Power	Power	F4

### 3.3.2 Power supply pins

**Table 7. Power supply pins description**

Group	Signal name	Value	Ball
Digital ground	GND	0 V	G6 G7 G8 G9 G10 G11 H6 H7 H8 H9 H10 H11 J6 J7 J8 J9 J10 J11 K6 K7 K8 K9 K10 K11 L6 L7 L8 L9 L10 M8 M9 M10
	USB_HOST1_HOST0_DEVICE_DVSS		L5
Analog ground	RTC_GND	0 V	F2
	DITH_PLL_VSS_ANA		G1
	USB_HOST1_VSSA		J2
	USB_HOST0_VSSA		L1
	USB_COMMON_VSSAC		L3
	USB_DEVICE_VSSA		N2
	DITH_VSS2V5		N4
	MCLK_GND		P3
	MCLK_GNDSUB		R3
	ADC_AGND		N12
IO	DIGITAL_VDDE3V3	3.3 V	F5 F6 F7 F10 F11 F12 G5 J12 K12 L12 M12
Core	VDD	1.2 V	F8 F9 G12 H5 H12 J5 L11 M6 M7 M11
USB Host0 PHY	USB_HOST0_VDD2V5	2.5 V	L2
	USB_HOST0_VDD3V3	3.3 V	K4
USB Host1 PHY	USB_HOST1_VDD2V5	2.5 V	K3
	USB_HOST1_VDD3V3	3.3 V	J1
USB Device PHY	USB_DEVICE_VDD2V5	2.5 V	N1
	USB_DEVICE_VDD3V3	3.3 V	N3
	USB_HOST1_HOST0_DEVICE_DVDD1V2	1.2 V	M3
OSCI (MCLK)	MCLK_VDD	1.2 V	R1
	MCLK_VDD2V5	2.5 V	R2
PLL1	DITH_PLL_VDD_ANA	2.5 V	G2
PLL2	DITH_VDD_2V5	2.5 V	M4
DDR IO	DDR_VDDE1V8	1.8 V	M5 N5 N6 N7 N8 N9 N10 N11
ADC	ADC_AVDD	2.5 V	N13
OSCI (RTC)	RTC_VDD1V5	1.5 V	F1

*Note: All the VDD 2V5 power supplies are analog VDD.*



### 3.3.3 Debug pins

**Table 8. Debug pins description**

Signal name	Description	Dir.	Pin type	Ball
TEST_0	Debug mode configuration ports. See also <a href="#">Section Table 32.: Ball sharing during debug.</a>	I	TTL input buffer, 3.3 V tolerant, PD	K16
TEST_1				K15
TEST_2				K14
TEST_3				K13
TEST_4				J15
BOOT_SEL	Reserved, to be fixed at high level			J14
nTRST	Test reset input	I	TTL Schmitt trigger input buffer, 3.3 V tolerant, PU	L16
TDO	Test data output	O	TTL output buffer, 3.3 V capable 4 mA	L15
TCK	Test clock	I	TTL Schmitt trigger input buffer, 3.3 V tolerant, PU	L17
TDI	Test data input	I		L14
TMS	Test mode select	I		L13

### 3.3.4 Non-multiplexed pins

**Table 9. SMI pins description**

Signal name	Description	Dir.	Pin type	Ball
SMI_DATAIN	Serial Flash input data	I	TTL Input Buffer 3.3 V tolerant, PU	M13
SMI_DATAOUT	Serial Flash output data	O	TTL output buffer 3.3 V capable 4 mA	M14
SMI_CLK	Serial Flash clock	IO		N17
SMI_CS_0	Serial Flash chip select	O		M15
SMI_CS_1				M16

**Table 10. USB pins description**

Group	Signal name	Description	Dir.	Pin type	Ball
USB Device	USB_DEVICE_DP	USB Device D+	IO	Bidirectional analog buffer 5 V tolerant	M1
	USB_DEVICE_DM	USB Device D-			M2
	USB_DEVICE_VBUS	USB Device VBUS	I	TTL input buffer 3.3 V tolerant, PD	G3
USB Host	USB_HOST1_DP	USB Host1 D+	IO	Bidirectional analog buffer 5 V tolerant	H1
	USB_HOST1_DM	USB Host1 D-			H2
	USB_HOST1_VBUS	USB Host1 VBUS	O	TTL output buffer 3.3 V capable, 4 mA	H3
	USB_HOST1_OVERCUR	USB Host1 Over-Current	I	TTL input buffer 3.3 V tolerant, PD	J4
	USB_HOST0_DP	USB Host0 D+	IO	Bidirectional analog buffer 5 V tolerant	K1
	USB_HOST0_DM	USB Host0 D-			K2
	USB_HOST0_VBUS	USB Host0 VBUS	O	TTL output buffer 3.3 V capable, 4 mA	J3
	USB_HOST0_OVERCUR	USB Host0 Over-current	I	TTL Input Buffer 3.3 V tolerant, PD	H4
USB	USB_TXRTUNE	Reference resistor	O	Analog	K5
	USB_ANALOG_TEST	Analog test output	O	Analog	L4

**Table 11. ADC pins description**

Signal name	Description	Dir.	Pin type	Ball
AIN_0	ADC analog input channel	I	Analog buffer 2.5 V tolerant	N16
AIN_1				N15
AIN_2				P17
AIN_3				P16
AIN_4				P15
AIN_5				R17
AIN_6				R16
AIN_7				R15
ADC_VREFN	ADC negative voltage reference			N14
ADC_VREFP	ADC positive voltage reference			P14

Table 12. DDR pins description

Signal name	Description	Dir.	Pin type	Ball
DDR_MEM_ADD_0	Address Line	O	SSTL_2/SSTL_18	T2
DDR_MEM_ADD_1				T1
DDR_MEM_ADD_2				U1
DDR_MEM_ADD_3				U2
DDR_MEM_ADD_4				U3
DDR_MEM_ADD_5				U4
DDR_MEM_ADD_6				U5
DDR_MEM_ADD_7				T5
DDR_MEM_ADD_8				R5
DDR_MEM_ADD_9				P5
DDR_MEM_ADD_10				P6
DDR_MEM_ADD_11				R6
DDR_MEM_ADD_12				T6
DDR_MEM_ADD_13				U6
DDR_MEM_ADD_14				R7
DDR_MEM_BA_0	Bank select	O	SSTL_2/SSTL_18	P7
DDR_MEM_BA_1				P8
DDR_MEM_BA_2				R8
DDR_MEM_RAS	Row address strobe	O	SSTL_2/SSTL_18	U8
DDR_MEM_CAS	Column address strobe	O		T8
DDR_MEM_WE	Write enable	O		T7
DDR_MEM_CLKEN	Clock enable	O		U7
DDR_MEM_CLKP	Differential clock	O		Differential SSTL_2/ SSTL_18
DDR_MEM_CLKN			U9	
DDR_MEM_CS_0	Chip select	O	SSTL_2/ SSTL_18	P9
DDR_MEM_CS_1				R9
DDR_MEM_ODT_0	On-die termination enable lines	IO	SSTL_2/ SSTL_18	T3
DDR_MEM_ODT_1				T4

Table 12. DDR pins description (continued)

Signal name	Description	Dir.	Pin type	Ball	
DDR_MEM_DQ_0	Data lines (lower byte)	IO	SSTL_2/ SSTL_18	P11	
DDR_MEM_DQ_1				R11	
DDR_MEM_DQ_2				T11	
DDR_MEM_DQ_3				U11	
DDR_MEM_DQ_4				T12	
DDR_MEM_DQ_5				R12	
DDR_MEM_DQ_6				P12	
DDR_MEM_DQ_7				P13	
DDR_MEM_DQS_0	Lower data strobe	O	Differential SSTL_2/ SSTL_18	U10	
nDDR_MEM_DQS_0				T10	
DDR_MEM_DM_0	Lower data mask	O	SSTL_2/ SSTL_18	U12	
DDR_MEM_GATE_OPEN_0	Lower gate open	IO		R10	
DDR_MEM_DQ_8	Data lines (upper byte)	IO		SSTL_2/ SSTL_18	T17
DDR_MEM_DQ_9					T16
DDR_MEM_DQ_10					U17
DDR_MEM_DQ_11					U16
DDR_MEM_DQ_12					U14
DDR_MEM_DQ_13					U13
DDR_MEM_DQ_14			T13		
DDR_MEM_DQ_15			R13		
DDR_MEM_DQS_1	Upper data strobe	IO	Differential SSTL_2/ SSTL_18	U15	
nDDR_MEM_DQS_1				T15	
DDR_MEM_DM_1	Upper data mask	IO	SSTL_2/ SSTL_18	T14	
DDR_MEM_GATE_OPEN_1	Upper gate open			R14	
DDR_MEM_VREF	Reference voltage	I	Analog	P10	
DDR_MEM_COMP2V5_GNDBGCOMP	Return for external resistors	Power	Power	R4	
DDR_MEM_COMP2V5_REXT	External resistor	Power	Analog	P4	
DDR2_EN	Configuration	I	TTL Input Buffer 3.3 V Tolerant, PU	J13	

### 3.4 Shared IO pins (PL\_GPIOs)

The 98 PL\_GPIO and 4 PL\_CLK pins have the following characteristics:

- Output buffer: TTL 3.3 V capable up to 10 mA
- Input buffer: TTL, 3.3 V tolerant, selectable internal pull up/pull down (PU/PD)

The PL\_GPIOs can be configured in different modes. This allows SPEAr320S to be tailored for use in various applications like:

- Metering concentrators
- Large power supply controllers
- Small printers

#### 3.4.1 PL\_GPIO / PL\_CLK pins description

**Table 13. PL\_GPIO / PL\_CLK pins description**

Group	Signal name	Ball	Dir.	Description	Pin type
PL_GPIOs	PL_GPIO_97... PL_GPIO_0	(See <a href="#">Table 15</a> )	IO	General purpose IO or multiplexed pins (see <a href="#">Table 15</a> )	(See the introduction of <a href="#">Section 3.4</a> here above)
	PL_CLK1... PL_CLK4			Programmable logic external clocks	

*Note:* The I/O direction depends on the currently configured multiplexing option and can be different from the I/O direction at reset. Refer to [Table 15: PL\\_GPIO/PL\\_CLK multiplexing scheme and reset states](#).

#### 3.4.2 Extended mode: RMI automation networking mode

When Extended mode is selected the I/O functions can be selected individually from the columns of [Table 15](#) using 11 RAS\_iosel\_regx registers which provide 3-bit configuration fields for selecting the I/O functions on each of the 102 GPIO I/O pins. (see [Table 15: PL\\_GPIO/PL\\_CLK multiplexing scheme and reset states](#)).

This mode provides a fully flexible way of configuring the I/O functions for different applications. It is forward compatible with the 4 legacy configuration modes and features enhanced interrupt management with programmable edge polarity.

For example:

- 3 independent SSP synchronous serial ports (SPI, Microwire or TI protocol)
- 2 RMI interfaces
- Standard parallel port (SPP device implementation)
- 3 independent I2C interfaces
- 7 UARTs
  - 1 with hardware flow control (up to 3 Mbps)
  - 1 with hardware flow control (baud rate up to 7 Mbps)
  - 5 with software flow control (baud rate up to 7 Mbps)
- 4 PWM outputs

### 3.4.3 Alternate functions

Other peripheral functions are listed in the Alternate Functions column of [Table 13: PL\\_GPIO / PL\\_CLK pins description](#) and can be individually enabled/disabled configuring the bits of a dedicated control register.

### 3.4.4 Legacy configuration modes

This section describes the legacy operating modes created by using a selection of the embedded IPs. These 4 modes provide for backward-compatibility with existing SPEAr320 hardware applications. Mode 1 is the default mode for SPEAr320S.

The following modes can be selected by software through programming of dedicated configuration registers (see [Figure 3: Hierarchical multiplexing scheme](#)).

- [Mode 1: HMI automation mode](#)
- [Mode 2: MII automation networking mode](#)
- [Mode 3: Expanded automation mode](#)
- [Mode 4: Printer mode](#)

[Table 15](#) shows the IO functions available in each mode.

Mode 1 is the default mode for SPEAr320S.

#### Mode 1: HMI automation mode

In this example, HMI automation networking operating mode provides the following features with Mode 1 selected and alternate functions for UART0, SSP0 and I2C0 enabled. Other feature combinations are possible using different alternate functions.

- LCD interface (up to 1024x768, 24-bit LCD controller, TFT and STN panels)
- NAND Flash interface (8 bits, 4 chip selects)
- 2 CAN 2.0 interfaces
- 3 UARTs
  - 1 with hardware flow control (up to 3 Mbps)
  - 2 with software flow control (baud rate up to 7 Mbps)
- Touchscreen facilities
- 3 independent SSP synchronous serial ports (SPI, Microwire or TI protocol)
- 2 independent I2C interfaces
- GPIOs with interrupt capability
- SDIO interface supporting SPI, SD1, SD4 and SD8 mode
- 1 PWM output (PWM3)

### Mode 2: MII automation networking mode

In this example, MII automation networking operating mode provides the following features with Mode 2 selected and alternate functions for UART0, MII0, SSP0, I2C0 enabled. Other feature combinations are possible using different alternate functions.

- NAND Flash interface (8 bits, 4 chip selects)
- 2 CAN 2.0 interfaces
- 2 MII interfaces
- 7 UARTs
  - 1 with hardware flow control (up to 3 Mbps)
  - 6 with software flow control (baud rate up to 7 Mbps)
- 3 independent SSP synchronous serial ports (SPI, Microwire or TI protocol) with 3 independent CS.
- 2 independent I2C interfaces
- GPIOs with interrupt capability
- SDIO interface supporting SPI, SD1, SD4 and SD8 mode

### Mode 3: Expanded automation mode

In this example, Expanded automation operating mode provides the following features with Mode 3 selected and alternate functions for MII0, UART0, I2C0 and SSP0 enabled. Some features are mutually exclusive. Note that if UART0 alternate functions with software flow control are enabled, UART3/4/5 are available, but not if UART0 alternate functions are enabled with hardware flow control. If SSP0 alternate functions are enabled, PWM0/1/2/3 are not available. This is also the case for EMI with respect to the NAND Flash interface (FSMC). Other feature combinations are possible using different alternate functions.

- External memory interface (16 data bits, 24 address bits and 4 chip selects)
- FSMC NAND Flash interface (8-16 bits and 4 chip selects shared with EMI)
- 2 CAN 2.0 interfaces
- MII interface
- 6 UARTs
  - 1 with hardware flow control (up to 3 Mbps)
  - 1 with hardware flow control (baud rate up to 7 Mbps)
  - 4 with software flow control (baud rate up to 7 Mbps)
- 1 SSP port
- 2 independent I2C interfaces
- Up to 4 PWM outputs
- GPIOs with interrupt capabilities

**Mode 4: Printer mode**

In this example, Printer mode provides the following features with Mode 4 selected and alternate functions for UART0, I2C0 and SSP0 enabled. Other feature combinations are possible using different alternate functions.

- NAND Flash interface (8 bits, 4 chip selects)
- 4 PWM outputs
- 7 UARTs
  - 1 with hardware flow control (up to 3 Mbps)
  - 1 with hardware flow control (baud rate up to 7 Mbps)
  - 5 with software flow control (baud rate up to 7 Mbps)
- SDIO interface supporting SPI, SD1, SD4 and SD8 mode
- Standard parallel port (SPP device implementation)
- 2 independent SSP synchronous serial ports (SPI, Microwire or TI protocol)
- 2 independent I2C interfaces
- GPIOs with interrupt capabilities



### 3.4.5 Boot pins

The status of the boot pins is read at startup by the BootROM.

The H[7:0] pins are user-definable strapping option pins. The values of the pins are latched at startup and are readable from a register.

**Table 14. Boot pins description**

B3 B2 B1 B0	Boot device
0000	USB Device
0001	Ethernet MII0 (MAC address in I2C non-volatile memory)
0010	Ethernet MII0 (MAC address in SPI non-volatile memory)
0011	Serial NOR Flash (SMI interface)
0100	Parallel 8-bit NOR Flash (EMI interface)
0101	Parallel 16-bit NOR Flash (EMI interface)
0110	Parallel 8-bit NAND Flash (FSMC interface)
0111	Parallel 16-bit NAND Flash (FSMC interface)
1010	UART0
1011	Bypass BootROM and boot from serial NOR Flash (SMI interface)
Other	Reserved

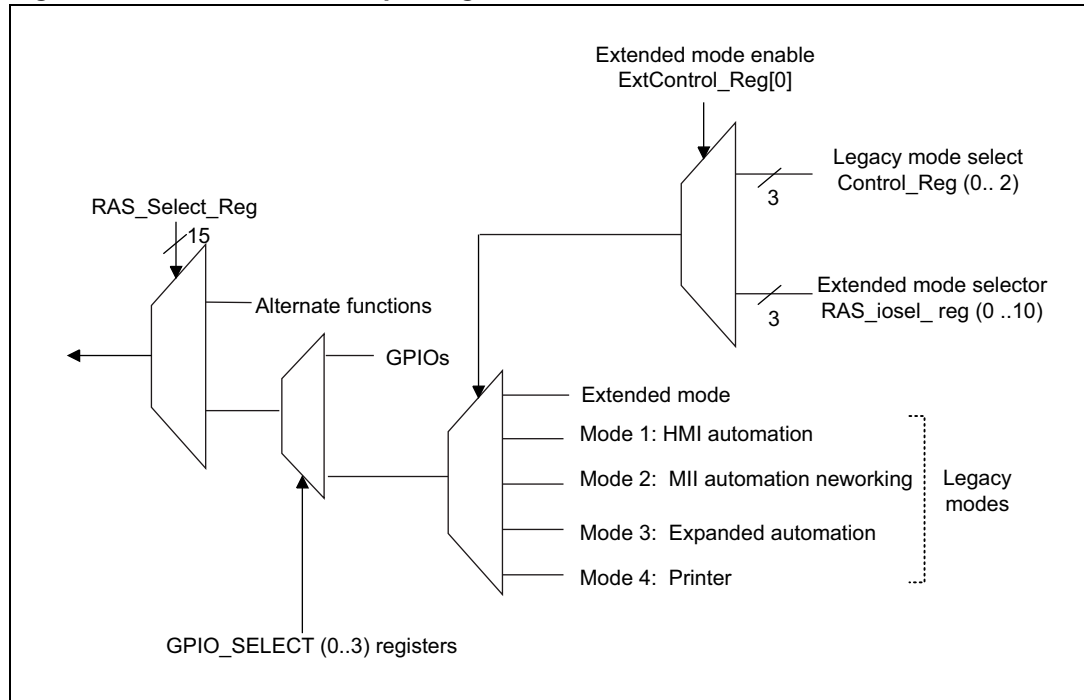
### 3.4.6 GPIOs

The PL\_GPIO pins can be used as software-controlled general purpose I/Os if they are not used by the interfaces of embedded IPs mapped on same pins.

### 3.4.7 Multiplexing scheme

To provide the best I/O multiplexing flexibility and the higher number of GPIOs for ARM controlled input-output function, the following hierarchical multiplexing scheme has been implemented.

**Figure 3. Hierarchical multiplexing scheme**



*Note:* 3 selection bits per pin are available in RAS\_iose1\_reg (0..10).



Table 15. PL\_GPIO/PL\_CLK multiplexing scheme and reset states

PL_GPIO_# / ball number	Extended mode primary function (SW defined)	Alternate function (SW defined)	Full debug mode	Reset state	Boot pins	Function in GPIO alternate mode	Legacy configuration mode (SW defined)			
							Mode 1 (Default configuration after reset)	Mode 2	Mode 3	Mode 4
PL_GPIO_97/H16	SSP1_MOSI		ARM_TRACE_CLK	OL		GPIO_97	CLD0	MII1_TXCLK	EMI_A0	I2C2_SDA
PL_GPIO_96/H15	SSP1_CLK		ARM_TRACE_PKT[A][0]	OL		GPIO_96	CLD1	MII1_TXD0	EMI_A1	I2C2_SCL
PL_GPIO_95/H14	SSP1_SS0		ARM_TRACE_PKT[A][1]	OL		GPIO_95	CLD2	MII1_TXD1	EMI_A2	UART3_TX
PL_GPIO_94/H13	SSP1_MISO		ARM_TRACE_PKT[A][2]	OL		GPIO_94	CLD3	MII1_TXD2	EMI_A3	UART3_RX
PL_GPIO_93/G17	SSP2_MOSI		ARM_TRACE_PKT[A][3]	OL		GPIO_93	CLD4	MII1_TXD3	EMI_A4	UART4_TX
PL_GPIO_92/G16	SSP2_CLK		ARM_TRACE_PKT[B][0]	OL		GPIO_92	CLD5	MII1_TXEN	EMI_A5	UART4_RX
PL_GPIO_91/G15	SSP2_SS0		ARM_TRACE_PKT[B][1]	OL		GPIO_91	CLD6	MII1_TXER	EMI_A6	UART5_TX
PL_GPIO_90/G14	SSP2_MISO		ARM_TRACE_PKT[B][2]	OL		GPIO_90	CLD7	MII1_RXCLK	EMI_A7	UART5_RX
PL_GPIO_89/F17	PWM0		ARM_TRACE_PKT[B][3]	OL		GPIO_89	CLD8	MII1_RXDV	EMI_A8	UART6_TX
PL_GPIO_88/F16	PWM1		ARM_TRACE_SYNCA	OL		GPIO_88	CLD9	MII1_RXER	EMI_A9	UART6_RX
PL_GPIO_87/G13	PWM2		ARM_TRACE_SYNCB	OL		GPIO_87	CLD10	MII1_RXD0	EMI_A10	0
PL_GPIO_86/E17	PWM3		ARM_PIPESTATA[0]	OL		GPIO_86	CLD11	MII1_RXD1	EMI_A11	0
PL_GPIO_85/F15	UART1_CTS		ARM_PIPESTATA[1]	OL		GPIO_85	CLD12	MII1_RXD2	EMI_A12	SPP_DATA0
PL_GPIO_84/D17	UART1_DTR		ARM_PIPESTATA[2]	OL		GPIO_84	CLD13	MII1_RXD3	EMI_A13	SPP_DATA1
PL_GPIO_83/E16	UART1_RI		ARM_PIPESTATB[0]	OL		GPIO_83	CLD14	MII1_COL	EMI_A14	SPP_DATA2
PL_GPIO_82/E15	UART1_DCD		ARM_PIPESTATB[1]	OL		GPIO_82	CLD15	MII1_CRS	EMI_A15	SPP_DATA3
PL_GPIO_81/C17	UART1_DSR		ARM_PIPESTATB[2]	OL		GPIO_81	CLD16	MII1_MDIO	EMI_A16	SPP_DATA4
PL_GPIO_80/D16	UART1_RTS		ARM_TRACE_PKT[A][4]	OL		GPIO_80	CLD17	MII1_MDC	EMI_A17	SPP_DATA5
PL_GPIO_79/F14	UART_RS485_TX		ARM_TRACE_PKT[A][5]	OL		GPIO_79	CLD18	0	EMI_A18	SPP_DATA6
PL_GPIO_78/D15	UART_RS485_RX		ARM_TRACE_PKT[A][6]	OL		GPIO_78	CLD19	0	EMI_A19	SPP_DATA7
PL_GPIO_77/B17	UART_RS485_OE		ARM_TRACE_PKT[A][7]	OL		GPIO_77	CLD20	0	EMI_A20	SPP_STRBn
PL_GPIO_76/F13	I2C2_SDA		ARM_TRACE_PKT[B][4]	OL		GPIO_76	CLD21	0	EMI_A21	SPP_ACKn
PL_GPIO_75/E14	I2C2_SCL		ARM_TRACE_PKT[B][5]	OL		GPIO_75	CLD22	0	EMI_A22	SPP_BUSY



**Table 15. PL\_GPIO/PL\_CLK multiplexing scheme and reset states (continued)**

PL_GPIO_# / ball number	Extended mode primary function (SW defined)	Alternate function (SW defined)	Full debug mode	Reset state	Boot pins	Function in GPIO alternate mode	Legacy configuration mode (SW defined)			
							Mode 1 (Default configuration after reset)	Mode 2	Mode 3	Mode 4
PL_GPIO_74/C16	UART3_TX		ARM_TRACE_PKT[B]6	OL		GPIO_74	CLD23	0	EMI_A23	SPP_PERROR
PL_GPIO_73/A17	UART3_RX		ARM_TRACE_PKT[B]7	OL		GPIO_73	CLAC	0	EMI_D8/ FSMC_D8	SPP_SELECT
PL_GPIO_72/B16	UART4_TX		Functional mode	OL		GPIO_72	CLFP	0	EMI_D9/ FSMC_D9	SPP_AUTOFDn
PL_GPIO_71/D14	UART4_RX			OL		GPIO_71	CLLP	0	EMI_D10/ FSMC_D10	SPP_FAULTn
PL_GPIO_70/C15	UART5_TX			OL		GPIO_70	CLLE	0	EMI_D11/ FSMC_D11	SPP_INITn
PL_GPIO_69/A16	UART5_RX			OL		GPIO_69	CLPOWER	0	EMI_WAIT	SPP_SELINn
PL_GPIO_68/B15	SSP1_MOSI			IPU		GPIO_68	FSMC_D0	FSMC_D0	EMI_D0/ FSMC_D0	FSMC_D0
PL_GPIO_67/C14	SSP1_CLK			IPU		GPIO_67	FSMC_D1	FSMC_D1	EMI_D1/ FSMC_D1	FSMC_D1
PL_GPIO_66/E13	SSP1_SS0			IPU		GPIO_66	FSMC_D2	FSMC_D2	EMI_D2/ FSMC_D2	FSMC_D2
PL_GPIO_65/B14	SSP1_MISO			IPU		GPIO_65	FSMC_D3	FSMC_D3	EMI_D3/ FSMC_D3	FSMC_D3
PL_GPIO_64/D13	SSP2_MOSI			IPU		GPIO_64	FSMC_D4	FSMC_D4	EMI_D4/ FSMC_D4	FSMC_D4
PL_GPIO_63/C13	SSP2_CLK			IPU		GPIO_63	FSMC_D5	FSMC_D5	EMI_D5/ FSMC_D5	FSMC_D5
PL_GPIO_62/A15	SSP2_SS0			IPU	H7	GPIO_62	FSMC_D6	FSMC_D6	EMI_D6/ FSMC_D6	FSMC_D6
PL_GPIO_61/E12	SSP2_MISO			IPU	H6	GPIO_61	FSMC_D7	FSMC_D7	EMI_D7/ FSMC_D7	FSMC_D7
PL_GPIO_60/A14	PWM0			IPU	H5	GPIO_60	FSMC_ADDR_LE	FSMC_ADDR_LE	FSMC_ADDR_LE	FSMC_ADDR_LE
PL_GPIO_59/B13	PWM1			IPU	H4	GPIO_59	FSMC_WE	FSMC_WE	EMI_WE/ FSMC_WE	FSMC_WE
PL_GPIO_58/D12	PWM2			IPU	H3	GPIO_58	FSMC_RE	FSMC_RE	EMI_OE/ FSMC_RE	FSMC_RE
PL_GPIO_57/E11	PWM3			IPU	H2	GPIO_57	FSMC_CMD_LE	FSMC_CMD_LE	FSMC_CMD_LE	FSMC_CMD_LE
PL_GPIO_56/C12				IPU	H1	GPIO_56	FSMC_RDY /BSY	FSMC_RDY/ BSY	FSMC_RDY/BSY	FSMC_RDY/ BSY
PL_GPIO_55/A13				IPU	H0	GPIO_55	FSMC_CS0	FSMC_CS0	EMI_CE0/ FSMC_CS0	FSMC_CS0
PL_GPIO_54/E10				IPU	B3	GPIO_54	FSMC_CS1	FSMC_CS1	EMI_CE1/ FSMC_CS1	FSMC_CS1
PL_GPIO_53/D11	UART3_TX			IPU	B2	GPIO_53	FSMC_CS2	FSMC_CS2	EMI_CE2/ FSMC_CS2	FSMC_CS2



Table 15. PL\_GPIO/PL\_CLK multiplexing scheme and reset states (continued)

PL_GPIO_# / ball number	Extended mode primary function (SW defined)	Alternate function (SW defined)	Full debug mode	Reset state	Boot pins	Function in GPIO alternate mode	Legacy configuration mode (SW defined)			
							Mode 1 (Default configuration after reset)	Mode 2	Mode 3	Mode 4
PL_GPIO_52/B12	UART3_RX		Functional mode	IPU	B1	GPIO_52	FSMC_CS3	FSMC_CS3	EMI_CE_3/FSMC_CS3	FSMC_CS3
PL_GPIO_51/D10	SSP1_MOSI			IPU	B0	GPIO_51	SD_CD	SD_CD	EMI_BYTEN0	SD_CD
PL_GPIO_50/A12	SSP1_CLK	TMR_CPTR4		IPU		GPIO_50	SD_DAT7	SD_DAT7	EMI_BYTEN1	SD_DAT7
PL_GPIO_49/C11	SSP1_SS0	TMR_CPTR3		IPU		GPIO_49	SD_DAT6	SD_DAT6	EMI_D12/FSMC_D12	SD_DAT6
PL_GPIO_48/B11	SSP1_MISO	TMR_CPTR2		IPU		GPIO_48	SD_DAT5	SD_DAT5	EMI_D13/FSMC_D13	SD_DAT5
PL_GPIO_47/C10	SSP2_MOSI	TMR_CPTR1		IPU		GPIO_47	SD_DAT4	SD_DAT4	EMI_D14/FSMC_D14	SD_DAT4
PL_GPIO_46/A11	SSP2_CLK	TMR_CLK4		OL		GPIO_46	SD_DAT3	SD_DAT3	EMI_D15/FSMC_D15	SD_DAT3
PL_GPIO_45/B10	SSP2_SS0	TMR_CLK3		OL		GPIO_45	SD_DAT2	SD_DAT2	UART1_DCD	SD_DAT2
PL_GPIO_44/A10	SSP2_MISO	TMR_CLK2		OL		GPIO_44	SD_DAT1	SD_DAT1	UART1_DSR	SD_DAT1
PL_GPIO_43/E9	PWM0	TMR_CLK1		OL		GPIO_43	SD_DAT0	SD_DAT0	UART1_RTS	SD_DAT0
PL_GPIO_42/D9	PWM1	UART0_DTR		OH		GPIO_42	I2S_RX	I2S_RX	UART3_TX	0
PL_GPIO_41/C9	PWM2	UART0_RI		IPD		GPIO_41	I2S_TX	I2S_TX	UART3_RX	0
PL_GPIO_40/B9	PWM3	UART0_DSR		IPD		GPIO_40	I2S_LR	I2S_LR	UART4_TX	0
PL_GPIO_39/A9	SSP1_MOSI	UART0_DCD		IPD		GPIO_39	I2S_CLK	I2S_CLK	UART4_RX	0
PL_GPIO_38/A8	SSP1_CLK	UART0_CTS		IPD		GPIO_38	PWM0	PWM0	UART5_TX	0
PL_GPIO_37/B8	SSP1_SS0	UART0_RTS		OH		GPIO_37	PWM1	PWM1	UART5_RX	0
PL_GPIO_36/C8	SSP1_MISO	SSP0_CS4		OH		GPIO_36	TOUCHSCREEN X	0	UART1_CTS	UART1_CTS
PL_GPIO_35/D8	SSP2_MOSI	SSP0_CS3		OH		GPIO_35	audio_over_samp_clk	audio_over_samp_clk	UART1_DTR	UART1_DTR
PL_GPIO_34/E8	SSP2_CLK	SSP0_CS2		OH		GPIO_34	SD_LED / PWM2	SD_LED / PWM2	UART1_RI	UART1_RI
PL_GPIO_33/E7	SSP2_SS0	basGPIO5		IPU		GPIO_33	CAN0_TX	CAN0_TX	CAN0_TX	UART1_DCD
PL_GPIO_32/D7	SSP2_MISO	basGPIO4		IPU		GPIO_32	CAN0_RX	CAN0_RX	CAN0_RX	UART1_DSR
PL_GPIO_31/C7	PWM0	basGPIO3		IPU		GPIO_31	CAN1_TX	CAN1_TX	CAN1_TX	UART1_RTS
PL_GPIO_30/B7	PWM1	basGPIO2		IPU		GPIO_30	CAN1_RX	CAN1_RX	CAN1_RX	0



**Table 15. PL\_GPIO/PL\_CLK multiplexing scheme and reset states (continued)**

PL_GPIO_# / ball number	Extended mode primary function (SW defined)	Alternate function (SW defined)	Full debug mode	Reset state	Boot pins	Function in GPIO alternate mode	Legacy configuration mode (SW defined)			
							Mode 1 (Default configuration after reset)	Mode 2	Mode 3	Mode 4
PL_GPIO_29/A7	PWM2	basGPIO1	Functional mode	IPU		GPIO_29	UART1_TX	UART1_TX	UART1_TX	UART1_TX
PL_GPIO_28/A6	PWM3	basGPIO0		IPU		GPIO_28	UART1_RX	UART1_RX	UART1_RX	UART1_RX
PL_GPIO_27/B6	RMII0_TXD0	MII0_TXCLK		IPU		GPIO_27	Reserved	0	Reserved	Reserved
PL_GPIO_26/A5	RMII0_RXD0	MII0_TXD0		OL		GPIO_26	Reserved	0	Reserved	Reserved
PL_GPIO_25/C6	RMII1_TXD0	MII0_TXD1		OL		GPIO_25	Reserved	0	0	Reserved
PL_GPIO_24/B5	RMII1_RXD0	MII0_TXD2		OL		GPIO_24	Reserved	0	0	Reserved
PL_GPIO_23/A4	RMII1_TX_EN	MII0_TXD3		OL		GPIO_23	Reserved	0	Reserved	Reserved
PL_GPIO_22/D6	RMII_REF_CLK	MII0_TXEN		OL		GPIO_22	Reserved	0	Reserved	Reserved
PL_GPIO_21/C5	RMII1_TXD1	MII0_TXER		OL		GPIO_21	Reserved	0	Reserved	Reserved
PL_GPIO_20/B4	RMII1_RXD1	MII0_RXCLK		IPU		GPIO_20	SSP1_MOSI	I2C2_SDA	0	SSP1_MOSI
PL_GPIO_19/A3	RMII1_CRS_DV	MII0_RXDV		IPU		GPIO_19	SSP1_CLK	I2C2_SCL	0	SSP1_CLK
PL_GPIO_18/D5	RMII1_RX_ER	MII0_RXER		IPU		GPIO_18	SSP1_SS0	0	0	SSP1_SS0
PL_GPIO_17/C4	RMII0_TXD1	MII0_RXD0		IPU		GPIO_17	SSP1_MISO	0	0	SSP1_MISO
PL_GPIO_16/E6	RMII0_TX_EN	MII0_RXD1		IPU		GPIO_16	SSP2_MOSI	UART3_TX	0	0
PL_GPIO_15/B3	RMII0_RXD1	MII0_RXD2		IPU		GPIO_15	SSP2_CLK	UART3_RX	PWM0	PWM0
PL_GPIO_14/A2	RMII0_CRS_DV	MII0_RXD3		IPU		GPIO_14	SSP2_SS0	UART4_TX	PWM1	PWM1
PL_GPIO_13/A1	RMII0_RX_ER	MII0_COL		IPU		GPIO_13	SSP2_MISO	UART4_RX	PWM2	PWM2
PL_GPIO_12/D4	SD_CD	MII0_CRS		IPU		GPIO_12	PWM3	0	PWM3	PWM3
PL_GPIO_11/E5	RMII_MDC	MII0_MDC		OL		GPIO_11	Reserved	0	Reserved	Reserved
PL_GPIO_10/C3	RMII_MDIO	MII0_MDIO		IPD		GPIO_10	Reserved	0	Reserved	Reserved
PL_GPIO_9/B2	I2C1_SDA	SSP0_MOSI		IPU		GPIO_9	0	UART3_TX	PWM0	0
PL_GPIO_8/C2	I2C1_SCL	SSP0_CLK		OL		GPIO_8	0	UART3_RX	PWM1	0
PL_GPIO_7/D3	UART1_CTS	SSP0_SS0		OH		GPIO_7	0	UART4_TX	PWM2	0
PL_GPIO_6/B1	UART1_DTR	SSP0_MISO		IPU		GPIO_6	0	UART4_RX	PWM3	0

Table 15. PL\_GPIO/PL\_CLK multiplexing scheme and reset states (continued)

PL_GPIO_# / ball number	Extended mode primary function (SW defined)	Alternate function (SW defined)	Full debug mode	Reset state	Boot pins	Function in GPIO alternate mode	Legacy configuration mode (SW defined)			
							Mode 1 (Default configuration after reset)	Mode 2	Mode 3	Mode 4
PL_GPIO_5/D2	UART1_RI	I2C0_SDA	Functional mode	IPU		GPIO_5	0	UART5_TX	0	0
PL_GPIO_4/C1	UART1_DCD	I2C0_SCL		IPU		GPIO_4	0	UART5_RX	0	0
PL_GPIO_3/D1	UART1_DSR	UART0_RX		IPD		GPIO_3	I2C2_SDA	UART6_TX	0	0
PL_GPIO_2/E4	UART1_RTS	UART0_TX		OH		GPIO_2	I2C2_SCL	UART6_RX	0	0
PL_GPIO_1/E3	I2C2_SDA	IrDA_RX		IPU		GPIO_1	UART2_TX	UART2_TX	UART2_TX	UART2_TX
PL_GPIO_0/F3	I2C2_SCL	IrDA_TX		OL		GPIO_0	UART2_RX	UART2_RX	UART2_RX	UART2_RX
PL_CLK1/K17	UART3_TX	PL_CLK1		OL		GPIO_98	CLCP	0	I2C1_SDA	SD_LED
PL_CLK2/J17	UART3_RX	PL_CLK2		OL		GPIO_99	SD_CLK	SD_CLK	I2C1_SCL	SD_CLK
PL_CLK3/J16	UART4_TX	PL_CLK3		IPU		GPIO_100	SD_WP	SD_WP	0	SD_WP
PL_CLK4/H17	UART4_RX	PL_CLK4	IPU		GPIO_101	SD_CMD	SD_CMD	0	SD_CMD	

- Note:
- 1 [Table 15](#) cells filled with '0' or '1' are unused and unless otherwise configured as Alternate function or GPIO, the corresponding pin is held at low or high level respectively by the internal logic.
  - 2 Pins shared by EMI and FSMC: Depending on the AHB address to be accessed the pins are used for EMI or FSMC transfers.
  - 3 Reset state definition: the state of each pin during reset and after reset release. Device is in configuration mode 1 (default state) : OH= Output high level, OL output low level, IPU = input pull up, IPD = input pull down.
  - 4 Full debug mode: refer to [Table 32: Ball sharing during debug](#) for details on debug mode selection.
  - 5 Functional mode definition: in functional mode the I/O works as configured by the application (depending on settings for Configuration mode 1- 4/Extended mode/Alternate function).
  - 6 Refer to [Table 16: Table shading reference for Table 15 multiplexing scheme](#) for colors and shading used in [Table 15](#) cells to identify pin groups



**Table 16. Table shading reference for Table 15 multiplexing scheme**

Shading	Pin group
FSMC	FSMC pins: NAND Flash
EMI	EMI pins
CLCD	Color LCD controller pins
Touchscreen	Touchscreen pins
UART	UART pins
CAN	CAN pins
Ethernet MAC	MII/RMII Ethernet MAC pins
SD/SDIO/MMC	SD card controller pins
PWM generators	Pulse-width modulator timer module pins
GPT	Timer pins
IrDa	IrDa pins
SSP	SSP pins
I2C	I2C pins
SPP	Standard parallel port pins
I2S	I2S pins



### 3.4.8 Multiplexed signals description

This section provides a description of the multiplexed signals present in SPEAr320S device, grouped by IP.

**Table 17. FSMC signals description**

Signal name	Description	Dir.	PL_GPIO_# /Ball	Configuration mode
FSMC_ADDR_LE	Address latch enable (active high)	O	PL_GPIO_60/A14	1, 2, 3, 4, Extended
FSMC_CMD_LE	Command latch enable (active high)	O	PL_GPIO_57/E11	1, 2, 3, 4, Extended
FSMC_CS0	Chip enable (active low)	O	PL_GPIO_55/A13	1, 2, 3, 4, Extended
FSMC_CS1			PL_GPIO_54/E10	1, 2, 3, 4, Extended
FSMC_CS2			PL_GPIO_53/D11	1, 2, 3, 4, Extended
FSMC_CS3			PL_GPIO_52/B12	1, 2, 3, 4, Extended
FSMC_D0	Data lines	IO	PL_GPIO_68/B15	1, 2, 3, 4, Extended
FSMC_D1			PL_GPIO_67/C14	1, 2, 3, 4, Extended
FSMC_D2			PL_GPIO_66/E13	1, 2, 3, 4, Extended
FSMC_D3			PL_GPIO_65/B14	1, 2, 3, 4, Extended
FSMC_D4			PL_GPIO_64/D13	1, 2, 3, 4, Extended
FSMC_D5			PL_GPIO_63/C13	1, 2, 3, 4, Extended
FSMC_D6			PL_GPIO_62/A15	1, 2, 3, 4, Extended
FSMC_D7			PL_GPIO_61/E12	1, 2, 3, 4, Extended
FSMC_D8			PL_GPIO_73/A17	3, Extended
FSMC_D9			PL_GPIO_72/B16	3, Extended
FSMC_D10			PL_GPIO_71/D14	3, Extended
FSMC_D11			PL_GPIO_70/C15	3, Extended
FSMC_D12			PL_GPIO_49/C11	3, Extended
FSMC_D13			PL_GPIO_48/B11	3, Extended
FSMC_D14			PL_GPIO_47/C10	3, Extended
FSMC_D15	PL_GPIO_46/A11	4, Extended		
FSMC_RDY/BSY	Wait signal (active low)	I	PL_GPIO_56/C12	1, 2, 3, 4, Extended
FSMC_RE	Read enable (active low)	O	PL_GPIO_58/D12	1, 2, 3, 4, Extended
FSMC_WE	Write enable (active low)	O	PL_GPIO_59/B13	1, 2, 3, 4, Extended

**Table 18. EMI signals description**

Signal name	Description	Dir.	PL_GPIO_# /Ball	Configuration mode
EMI_A0	Address bus	O	PL_GPIO_97/H16	3, Extended
EMI_A1			PL_GPIO_96/H15	3, Extended
EMI_A2			PL_GPIO_95/H14	3, Extended
EMI_A3			PL_GPIO_94/H13	3, Extended
EMI_A4			PL_GPIO_93/G17	3, Extended
EMI_A5			PL_GPIO_92/G16	3, Extended
EMI_A6			PL_GPIO_91/G15	3, Extended
EMI_A7			PL_GPIO_90/G14	3, Extended
EMI_A8			PL_GPIO_89/F17	3, Extended
EMI_A9			PL_GPIO_88/F16	3, Extended
EMI_A10			PL_GPIO_87/G13	3, Extended
EMI_A11			PL_GPIO_86/E17	3, Extended
EMI_A12			PL_GPIO_85/F15	3, Extended
EMI_A13			PL_GPIO_84/D17	3, Extended
EMI_A14			PL_GPIO_83/E16	3, Extended
EMI_A15			PL_GPIO_82/E15	3, Extended
EMI_A16			PL_GPIO_81/C17	3, Extended
EMI_A17			PL_GPIO_80/D16	3, Extended
EMI_A18			PL_GPIO_79/F14	3, Extended
EMI_A19			PL_GPIO_78/D15	3, Extended
EMI_A20			PL_GPIO_77/B17	3, Extended
EMI_A21			PL_GPIO_76/F13	3, Extended
EMI_A22			PL_GPIO_75/E14	3, Extended
EMI_A23	PL_GPIO_74/C16	3, Extended		
EMI_BYTEN0	Byte_enables are provided to validate the data present on the bus when high data is valid.	IO	PL_GPIO_51/D10	3, Extended
EMI_BYTEN1			PL_GPIO_50/A12	3, Extended
EMI_CE0	EMI Chip selects, derived from internal address decoding (kept disabled during NAND_Flash cycles)	O	PL_GPIO_55/A13	3, Extended
EMI_CE1			PL_GPIO_54/E10	3, Extended
EMI_CE2			PL_GPIO_53/D11	3, Extended
EMI_CE3			PL_GPIO_52/B12	3, Extended

Table 18. EMI signals description (continued)

Signal name	Description	Dir.	PL_GPIO_# /Ball	Configuration mode
EMI_D0	Data bus	O	PL_GPIO_68/B15	3, Extended
EMI_D1			PL_GPIO_67/C14	3, Extended
EMI_D2			PL_GPIO_66/E13	3, Extended
EMI_D3			PL_GPIO_65/B14	3, Extended
EMI_D4			PL_GPIO_64/D13	3, Extended
EMI_D5			PL_GPIO_63/C13	3, Extended
EMI_D6			PL_GPIO_62/A15	3, Extended
EMI_D7			PL_GPIO_61/E12	3, Extended
EMI_D8			PL_GPIO_73/A17	3, Extended
EMI_D9			PL_GPIO_72/B16	3, Extended
EMI_D10			PL_GPIO_71/D14	3, Extended
EMI_D11			PL_GPIO_70/C15	3, Extended
EMI_D12			PL_GPIO_49/C11	3, Extended
EMI_D13			PL_GPIO_48/B11	3, Extended
EMI_D14			PL_GPIO_47/C10	3, Extended
EMI_D15			PL_GPIO_46/A11	3, Extended
EMI_OE	Data output enable for read cycles, target device must open its data bus with this signal.	O	PL_GPIO_58/D12	3, Extended
EMI_WAIT	Transfer acknowledge signal, used by the cycle target to slow down the cycle (must be pulled up on the bus for targets that do not need it). <i>Note: This is an optional signal.</i>	I	PL_GPIO_69/A16	3, Extended
EMI_WE	Write strobe, data are ready on EMI_ADB before its falling edge and after the rising edge.	O	PL_GPIO_59/B13	3, Extended

Table 19. CLCD signals description

Signal name	Description	Dir.	PL_GPIO_# /Ball	Configuration mode
CLAC	STN AC bias drive or TFT data enable output	O	PL_GPIO_73/A17	1, Extended
CLCP	LCD panel clock	O	PL_CLK1/K17	1, Extended
CLD0	LCD panel data	O	PL_GPIO_97/H16	1, Extended
CLD1			PL_GPIO_96/H15	
CLD2			PL_GPIO_95/H14	
CLD3			PL_GPIO_94/H13	
CLD4			PL_GPIO_93/G17	
CLD5			PL_GPIO_92/G16	
CLD6			PL_GPIO_91/G15	
CLD7			PL_GPIO_90/G14	
CLD8			PL_GPIO_89/F17	
CLD9			PL_GPIO_88/F16	
CLD10			PL_GPIO_87/G13	
CLD11			PL_GPIO_86/E17	
CLD12			PL_GPIO_85/F15	
CLD13			PL_GPIO_84/D17	
CLD14			PL_GPIO_83/E16	
CLD15			PL_GPIO_82/E15	
CLD16			PL_GPIO_81/C17	
CLD17			PL_GPIO_80/D16	
CLD18			PL_GPIO_79/F14	
CLD19			PL_GPIO_78/D15	
CLD20			PL_GPIO_77/B17	
CLD21			PL_GPIO_76/F13	
CLD22			PL_GPIO_75/E14	
CLD23			PL_GPIO_74/C16	
CLFP	Frame pulse (STN)/ vertical synchronization pulse (TFT)	O	PL_GPIO_72/B16	1, Extended
CLLE	Line end signal	O	PL_GPIO_70/C15	1, Extended
CLLP	Line synchronization pulse (STN)/ horizontal synchronization pulse (TFT)	O	PL_GPIO_71/D14	1, Extended
CLPOWER	LCD panel power enable	O	PL_GPIO_69/A16	1, Extended

Table 20. Touchscreen signal description

Signal name	Description	Dir.	PL_GPIO_# /Ball	Configuration mode
TOUCHSCREEN X	Touchscreen select signal	O	PL_GPIO_36/C8	1, Extended

Table 21. UART signals description

Signal name	Description	Dir.	PL_GPIO_# /Ball	Configuration mode
<b>UART0</b>				
UART0_CTS	UART0 clear to send modem status input	I	PL_GPIO_38/A8	Alternate function
UART0_DCD	UART0 data carrier detect modem status input	I	PL_GPIO_39/A9	Alternate function
UART0_DSR	UART0 data set ready modem status input	I	PL_GPIO_40/B9	Alternate function
UART0_DTR	UART0 data terminal ready modem status output	O	PL_GPIO_42/D9	Alternate function
UART0_RI	UART0 ring indicator modem status input	I	PL_GPIO_41/C9	Alternate function
UART0_RTS	UART0 request to send modem status output	O	PL_GPIO_37/B8	Alternate function
UART0_RX	UART0 received serial data input	I	PL_GPIO_3/D1	Alternate function
UART0_TX	UART0 transmitted serial data output	O	PL_GPIO_2/E4	Alternate function
<b>UART1</b>				
UART1_CTS	UART1 clear to send modem status input	I	PL_GPIO_36/C8	3, 4, Extended
			PL_GPIO_85/F15	Extended mode
			PL_GPIO_7/D3	
UART1_DCD	UART1 data carrier detect modem status input	I	PL_GPIO_45/B10	3, Extended
			PL_GPIO_33/E7	4, Extended
			PL_GPIO_4/C1	Extended mode
			PL_GPIO_82/E15	
UART1_DSR	UART1 data set ready modem status input	I	PL_GPIO_44/A10	3, Extended
			PL_GPIO_32/D7	4, Extended
			PL_GPIO_3/D1	Extended mode
			PL_GPIO_81/C17	
UART1_DTR	UART1 data terminal ready modem status output	O	PL_GPIO_35/D8	3, 4, Extended
			PL_GPIO_84/D17	Extended mode
			PL_GPIO_6/B1	
UART1_RI	UART1 ring indicator modem status input	I	PL_GPIO_34/E8	3, 4, Extended
			PL_GPIO_83/E16	Extended mode
			PL_GPIO_5/D2	

**Table 21. UART signals description (continued)**

Signal name	Description	Dir.	PL_GPIO_# /Ball	Configuration mode
UART1_RTS	UART1 request to send modem status output	O	PL_GPIO_43/E9	3, Extended
			PL_GPIO_31/C7	4, Extended
			PL_GPIO_80/D16	Extended mode
			PL_GPIO_2/E4	
UART1_RX	UART1 received serial data input	I	PL_GPIO_28/A6	1, 2, 3, 4, Extended
UART1_TX	UART1 transmitted serial data output	O	PL_GPIO_29/A7	1, 2, 3, 4, Extended
<b>UART2</b>				
UART2_RX	UART2 received serial data input	I	PL_GPIO_0/F3	1, 2, 3, 4, Extended
UART2_TX	UART2 transmitted serial data output	O	PL_GPIO_1/E3	1, 2, 3, 4, Extended
<b>UART3</b>				
UART3_RX	UART3 received serial data input	I	PL_GPIO_15/B3	2, Extended
			PL_GPIO_8/C2	
			PL_GPIO_41/C9	3, Extended
			PL_GPIO_94/H13	4, Extended
			PL_GPIO_73/A17	Extended mode
			PL_GPIO_52/B12	
PL_CLK2/J17				
UART3_TX	UART3 transmitted serial data output	O	PL_GPIO_16/E6	2, Extended
			PL_GPIO_9/B2	
			PL_GPIO_42/D9	3, Extended
			PL_GPIO_95/H14	4, Extended
			PL_GPIO_74/C16	Extended mode
			PL_GPIO_53/D11	
PL_CLK1/K17				
<b>UART4</b>				
UART4_RX	UART4 received serial data input	I	PL_GPIO_13/A1	2, Extended
			PL_GPIO_6/B1	
			PL_GPIO_39/A9	3, Extended
			PL_GPIO_92/G16	4, Extended
		I	PL_GPIO_71/D14	Extended mode
			PL_CLK4/H17	

**Table 21. UART signals description (continued)**

Signal name	Description	Dir.	PL_GPIO_# /Ball	Configuration mode
UART4_TX	UART4 transmitted serial data output	O	PL_GPIO_14/A2	2, Extended
			PL_GPIO_7/D3	
			PL_GPIO_40/B9	3, Extended
			PL_GPIO_93/G17	4, Extended
			PL_GPIO_72/B16	Extended mode
PL_CLK3/J16				
<b>UART5</b>				
UART5_RX	UART5 received serial data input	I	PL_GPIO_4/C1	2, Extended
			PL_GPIO_37/B8	3, Extended
			PL_GPIO_90/G14	4, Extended
			PL_GPIO_69/A16	Extended mode
UART5_TX	UART5 transmitted serial data output	O	PL_GPIO_5/D2	2, Extended
			PL_GPIO_38/A8	3, Extended
			PL_GPIO_91/G15	4, Extended
			PL_GPIO_70/C15	Extended mode
<b>UART6</b>				
UART6_RX	UART6 received serial data input	I	PL_GPIO_2/E4	2, Extended
			PL_GPIO_88/F16	4, Extended
UART6_TX	UART6 transmitted serial data output	O	PL_GPIO_3/D1	2, Extended
			PL_GPIO_89/F17	4, Extended
<b>UART/RS485</b>				
UART_RS485_TX	UART/RS485 transmitted serial data output	O	PL_GPIO_79/F14	Extended mode
UART_RS485_RX	UART/RS485 received serial data output	I	PL_GPIO_78/D15	Extended mode
UART_RS485_OE	UART/RS485 data output enable	O	PL_GPIO_77/B17	Extended mode

**Table 22. CAN signals description**

Signal name	Description	Dir.	PL_GPIO_# /Ball	Configuration mode
<b>CAN0</b>				
CAN0_RX	CAN0 receiver data input	I	PL_GPIO_32/D7	1, 2, 3, Extended
CAN0_TX	CAN0 transmitter data output	O	PL_GPIO_33/E7	1, 2, 3, Extended
<b>CAN1</b>				
CAN1_RX	CAN1 receiver data input	I	PL_GPIO_30/B7	1, 2, 3, Extended
CAN1_TX	CAN1 transmitter data output	O	PL_GPIO_31/C7	1, 2, 3, Extended

**Table 23. MMC-SD/SDIO controller signals description**

Signal name	Description	Dir.	PL_GPIO_# /Ball	Configuration mode
SD_CD	Card detection for single slot (active low)	I	PL_GPIO_51/D10	1, 2, 4, Extended
			PL_GPIO_12/D4	Extended mode
SD_CLK	Clock to external card	O	PL_CLK2/J17	1, 2, 4, Extended
SD_CMD	Command line	IO	PL_CLK4/H17	1, 2, 4, Extended
SD_DAT0	Data line	IO	PL_GPIO_43/E9	1, 2, 4, Extended
SD_DAT1			PL_GPIO_44/A10	1, 2, 4, Extended
SD_DAT2			PL_GPIO_45/B10	1, 2, 4, Extended
SD_DAT3			PL_GPIO_46/A11	1, 2, 4, Extended
SD_DAT4			PL_GPIO_47/C10	1, 2, 4, Extended
SD_DAT5			PL_GPIO_48/B11	1, 2, 4, Extended
SD_DAT6			PL_GPIO_49/C11	1, 2, 4, Extended
SD_DAT7			PL_GPIO_50/A12	1, 2, 4, Extended
SD_LED	Cautions the user not to remove the card while the SD card is being accessed.	O	PL_GPIO_34/E8	1, 2, Extended
			PL_CLK1/K17	4, Extended
SD_WP	SD card write protect (active low)	I	PL_CLK3/J16	1, 2, 4, Extended

**Table 24. PWM signals description**

Signal name	Description	Dir.	PL_GPIO_# /Ball	Configuration mode	
PWM0	PWM0 output channel	O	PL_GPIO_38/A8	1, 2, Extended	
			PL_GPIO_15/B3	3, 4, Extended	
			PL_GPIO_9/B2	3, Extended	
			PL_GPIO_89/F17	Extended mode	
			PL_GPIO_60/A14		
			PL_GPIO_43/E9		
PWM1	PWM1 output channel	O	PL_GPIO_31/C7	Extended mode	
			PL_GPIO_37/B8		1, 2, Extended
			PL_GPIO_14/A2		3, 4, Extended
			PL_GPIO_8/C2		3, Extended
			PL_GPIO_88/F16		Extended mode
			PL_GPIO_59/B13		
PL_GPIO_42/D9					
			PL_GPIO_30/B7		



**Table 24. PWM signals description (continued)**

Signal name	Description	Dir.	PL_GPIO_# /Ball	Configuration mode
PWM2	PWM2 output channel	O	PL_GPIO_34/E8	1, 2, Extended
			PL_GPIO_13/A1	3, 4, Extended
			PL_GPIO_7/D3	3, Extended
			PL_GPIO_87/G13	Extended mode
			PL_GPIO_58/D12	
			PL_GPIO_41/C9	
			PL_GPIO_29/A7	
PWM3	PWM3 output channel	O	PL_GPIO_12/D4	1, 3, 4, Extended
			PL_GPIO_6/B1	3, Extended
			PL_GPIO_86/E17	Extended mode
			PL_GPIO_57/E11	
			PL_GPIO_40/B9	
			PL_GPIO_28/A6	

**Table 25. GPT signals description**

Signal name	Description	Dir.	PL_GPIO_# /Ball	Configuration mode
TMR_CLK1	This clock toggles each time the timer interrupt goes active.	O	PL_GPIO_43/E9	Alternate function
TMR_CLK2			PL_GPIO_44/A10	Alternate function
TMR_CLK3			PL_GPIO_45/B10	Alternate function
TMR_CLK4			PL_GPIO_46/A11	Alternate function
TMR_CPTR1	Asynchronous signal provided for the measurement of timing signals	I	PL_GPIO_47/C10	Alternate function
TMR_CPTR2			PL_GPIO_48/B11	Alternate function
TMR_CPTR3			PL_GPIO_49/C11	Alternate function
TMR_CPTR4			PL_GPIO_50/A12	Alternate function

**Table 26. IrDA signals description**

Signal name	Description	Dir.	PL_GPIO_# /Ball	Configuration mode
IrDA_RX	IrDA receiver data input	I	PL_GPIO_1/E3	Alternate function
IrDA_TX	IrDA transmitter data output	O	PL_GPIO_0/F3	Alternate function

Table 27. SSP signals description

Signal name	Description	Dir.	PL_GPIO_# /Ball	Configuration mode
<b>SSP0</b>				
SSP0_CS2	Slave select (used only in master mode)	O	PL_GPIO_34/E8	Alternate function
SSP0_CS3	Slave select (used only in master mode)	O	PL_GPIO_35/D8	Alternate function
SSP0_CS4	Slave select (used only in master mode)	O	PL_GPIO_36/C8	Alternate function
SSP0_CLK	SSP clock. It is used as output in master mode as input in slave mode.	IO	PL_GPIO_8/C2	Alternate function
SSP0_MISO	Master input slave output	IO	PL_GPIO_6/B1	Alternate function
SSP0_MOSI	Master output slave input	IO	PL_GPIO_9/B2	Alternate function
SSP0_SS0	SSP frame output (master mode), input (slave mode)	IO	PL_GPIO_7/D3	Alternate function
<b>SSP1</b>				
SSP1_CLK	SSP clock. It is used as output in master mode as input in slave mode.	IO	PL_GPIO_19/A3	1, 4, Extended
			PL_GPIO_96/H15	Extended mode
			PL_GPIO_67/C14	
			PL_GPIO_50/A12	
SSP1_MISO	Master input slave output	IO	PL_GPIO_17/C4	1, 4, Extended
			PL_GPIO_94/H13	Extended mode
			PL_GPIO_65/B14	
			PL_GPIO_48/B11	
SSP1_MOSI	Master output slave input	IO	PL_GPIO_20/B4	1, 4, Extended
			PL_GPIO_97/H16	Extended mode
			PL_GPIO_68/B15	
			PL_GPIO_51/D10	
SSP1_SS0	SSP frame output (master mode), input (slave mode)	IO	PL_GPIO_38/A8	Extended mode
			PL_GPIO_18/D5	
			PL_GPIO_95/H14	
			PL_GPIO_66/E13	
			PL_GPIO_49/C11	Extended mode
			PL_GPIO_37/B8	
<b>SSP2</b>				

Table 27. SSP signals description (continued)

Signal name	Description	Dir.	PL_GPIO_# /Ball	Configuration mode
SSP2_CLK	SSP clock. It is used as output in master mode as input in slave mode.	IO	PL_GPIO_15/B3	1, Extended
			PL_GPIO_92/G16	Extended mode
			PL_GPIO_63/C13	
			PL_GPIO_46/A11	
			PL_GPIO_34/E8	
SSP2_MISO	Master input slave output	IO	PL_GPIO_13/A1	1, Extended
			PL_GPIO_90/G14	Extended mode
			PL_GPIO_61/E12	
			PL_GPIO_44/A10	
			PL_GPIO_32/D7	
SSP2_MOSI	Master output slave input	IO	PL_GPIO_16/E6	1, Extended
			PL_GPIO_47/C10	Extended mode
			PL_GPIO_35/D8	
			PL_GPIO_16/E6	
			PL_GPIO_93/G17	
			PL_GPIO_64/D13	
SSP2_SS0	SSP frame output (master mode), input (slave mode)	IO	PL_GPIO_14/A2	1, Extended
			PL_GPIO_91/G15	Extended mode
			PL_GPIO_62/A15	
			PL_GPIO_45/B10	
			PL_GPIO_33/E7	

Table 28. I2C signals description

Signal name	Description	Dir.	PL_GPIO_# /Ball	Configuration mode
<b>I2C0</b>				
I2C0_SCL	I2C0 input/output clock	IO	PL_GPIO_4/C1	Alternate function
I2C0_SDA	I2C0 input/output data	IO	PL_GPIO_5/D2	Alternate function
<b>I2C1</b>				
I2C1_SCL	I2C1 input/output clock	IO	PL_CLK2/J17	3, Extended
			PL_GPIO_8/C2	Extended mode
I2C1_SDA	I2C1 input/output data	IO	PL_CLK1/K17	3, Extended
			PL_GPIO_9/B2	Extended mode
<b>I2C2</b>				
I2C2_SCL	I2C2 input/output clock	IO	PL_GPIO_2/E4	1, Extended
			PL_GPIO_19/A3	2, Extended
			PL_GPIO_96/H15	4, Extended
			PL_GPIO_75/E14	Extended mode
			PL_GPIO_0/F3	
I2C2_SDA	I2C2 input/output data	IO	PL_GPIO_3/D1	1, Extended
			PL_GPIO_20/B4	2, Extended
			PL_GPIO_97/H16	4, Extended
			PL_GPIO_76/F13	Extended mode
			PL_GPIO_1/E3	

Table 29. I2S signals description

Signal name	Description	Dir.	PL_GPIO_# /Ball	Configuration mode
audio_over_samp_clk	Audio oversampling clock. This is the clock that I2S_CLK derives from. The interfacing digital-to-analog converter (DAC) can use this clock to (over)sample the I2S data.	O	PL_GPIO_35/D8	1, 2, Extended
I2S_CLK	I2S clock	O	PL_GPIO_39/A9	1, 2, Extended
I2S_LR	I2S word select	O	PL_GPIO_40/B9	1, 2, Extended
I2S_RX	I2S receive data	I	PL_GPIO_42/D9	1, 2, Extended
I2S_TX	I2S transmit data	O	PL_GPIO_41/C9	1, 2, Extended

Table 30. SPP signals description

Signal name	Description	Dir.	PL_GPIO_# /Ball	Configuration mode
SPP_ACKn	The peripheral pulses this line low when it has received the previous data and is ready to receive more data. The rising edge of SPP_ACKn can be enabled to interrupt the host.	O	PL_GPIO_76/F13	4, Extended
SPP_AUTOFDn	Usage of this line varies. Most printers will perform a line feed after each carriage return when this line is low, and carriage returns only when this line is high.	I	PL_GPIO_72/B16	4, Extended
SPP_BUSY	The peripheral drives this signal high to indicate that it is not ready to receive data.	O	PL_GPIO_75/E14	4, Extended
SPP_DATA0	SPP unidirectional data lines	O	PL_GPIO_85/F15	4, Extended
SPP_DATA1			PL_GPIO_84/D17	4, Extended
SPP_DATA2			PL_GPIO_83/E16	4, Extended
SPP_DATA3			PL_GPIO_82/E15	4, Extended
SPP_DATA4			PL_GPIO_81/C17	4, Extended
SPP_DATA5			PL_GPIO_80/D16	4, Extended
SPP_DATA6			PL_GPIO_79/F14	4, Extended
SPP_DATA7			PL_GPIO_78/D15	4, Extended
SPP_FAULTn	Usage of this line varies. Peripherals usually drive this line low when an error condition exists.	O	PL_GPIO_71/D14	4, Extended
SPP_INITn	This line is held low for a minimum of 50 $\mu$ s to reset the printer and clear the print buffer.	I	PL_GPIO_70/C15	4, Extended
SPP_PERROR	Usage of this line varies. Printers typically drive this signal high during a paper empty condition.	O	PL_GPIO_74/C16	4, Extended
SPP_SELECT	The peripheral drives this signal high when it is selected and ready for data transfer.	O	PL_GPIO_73/A17	4, Extended
SPP_SELINn	The host drives this line low to select the peripheral.	I	PL_GPIO_69/A16	4, Extended
SPP_STRBn	Data is valid during an active low pulse on this line.	I	PL_GPIO_77/B17	4, Extended

Table 31. Ethernet signals description

Signal name	Description	Dir.	PL_GPIO_# / ball number	Configuration mode (see <a href="#">Section 3.4.2</a> )
<b>MII0</b>				
MII0_COL	PHY collision This signal is asserted by the PHY when a collision is detected on the medium. This signal is not synchronous to any clock. (Active high)	I	PL_GPIO_13/A1	Alternate function
MII0_CRS	PHY CRS This signal is asserted by the PHY when either the transmit or receive medium is not idle. The PHY deasserts this signal when both transmit and receive medium are idle. This signal is not synchronous to any clock. (Active high)	I	PL_GPIO_12/D4	Alternate function
MII0_MDC	Management data clock The MAC provides timing reference for the MAC_MDIO signal through this aperiodic clock. The maximum frequency of this clock is 2.5 MHz. This clock is generated from the application clock (HCLK) via a clock divider.	O	PL_GPIO_11/E5	Alternate function
MII0_MDIO	Management data input/output	IO	PL_GPIO_10/C3	Alternate function
MII0_RXCLK	Reception clock This is the reception clock (25/2.5 MHz in 100M/10Mbps) provided by the external PHY for MII interfaces. The MII0_RXDn signals that the Ethernet controller receives are synchronous to this clock.	I	PL_GPIO_20/B4	Alternate function
MII0_RXD0	PHY receive data These bits provide the MII receive data nibble. The validity of the data is qualified with MII0_RXDV and MII0_RXER.	I	PL_GPIO_17/C4	Alternate function
MII0_RXD1			PL_GPIO_16/E6	Alternate function
MII0_RXD2			PL_GPIO_15/B3	Alternate function
MII0_RXD3			PL_GPIO_14/A2	Alternate function
MII0_RXDV	PHY receive data valid When high, indicates that the data on the MII0_RXDn bus is valid. It remains asserted continuously from the first recovered byte/nibble of the frame through the final recovered byte/nibble.	I	PL_GPIO_19/A3	Alternate function
MII0_RXER	PHY receive error When high, indicates an error or carrier extension in the received frame on the MII0_RXDn bus.	I	PL_GPIO_18/D5	Alternate function

**Table 31. Ethernet signals description (continued)**

Signal name	Description	Dir.	PL_GPIO_# / ball number	Configuration mode (see <a href="#">Section 3.4.2</a> )
MII0_TXCLK	Transmission clock This is the transmission clock (25/2.5 MHz in 100 M/10 Mbps) provided by the external PHY for the MII interface. All the MII0_TXDn signals generated by the MAC are synchronous to this clock.	I	PL_GPIO_27/B6	Alternate function
MII0_TXD0	PHY transmit data.	O	PL_GPIO_26/A5	Alternate function
MII0_TXD1	These bits provide the MII transmit data nibble. The validity of the data is qualified with MII0_TXEN and MII0_TXER.		PL_GPIO_25/C6	Alternate function
MII0_TXD2			PL_GPIO_24/B5	Alternate function
MII0_TXD3			PL_GPIO_23/A4	Alternate function
MII0_TXEN		PHY transmit data enable When high, it indicates that valid data is being transmitted on the MII0_TXDn bus.	O	PL_GPIO_22/D6
MII0_TXER	PHY transmit error When high, indicates a transmit error or carrier extension on the MII0_TXDn bus.	O	PL_GPIO_21/C5	Alternate function
<b>MII1</b>				
MII1_COL	PHY collision This signal is asserted by the PHY when a collision is detected on the medium. This signal is not synchronous to any clock. (Active high)	I	PL_GPIO_83/E16	2, Extended
MII1_CRS	PHY CRS This signal is asserted by the PHY when either the transmit or receive medium is not idle. The PHY deasserts this signal when both transmit and receive medium are idle. This signal is not synchronous to any clock. (Active high)	I	PL_GPIO_82/E15	2, Extended
MII1_MDC	Management data clock The MAC provides timing reference for the MII1_MDIO signal through this aperiodic clock. The maximum frequency of this clock is 2.5 MHz. This clock is generated inside the Ethernet controller from the application clock (HCLK) via a clock divider.	O	PL_GPIO_80/D16	2, Extended
MII1_MDIO	Management data input/output	IO	PL_GPIO_81/C17	2, Extended
MII1_RXCLK	This is the reception clock (25/2.5 MHz in 100M/10Mbps) provided by the external PHY for MII interfaces. All MII1_RXDn signals that the Ethernet controller receives are synchronous to this clock.	I	PL_GPIO_90/G14	2, Extended

Table 31. Ethernet signals description (continued)

Signal name	Description	Dir.	PL_GPIO_# / ball number	Configuration mode (see <a href="#">Section 3.4.2</a> )
MII1_RXD0	PHY receive data These bits provide the MII receive data nibble. The validity of the data is qualified with MII1_RXDV and MII1_RXER.	I	PL_GPIO_87/G13	2, Extended
MII1_RXD1			PL_GPIO_86/E17	2, Extended
MII1_RXD2			PL_GPIO_85/F15	2, Extended
MII1_RXD3			PL_GPIO_84/D17	2, Extended
MII1_RXDV	PHY receive data valid When high, indicates that the data on the MII1_RXDn bus is valid. It remains asserted continuously from the first recovered byte/nibble of the frame through the final recovered byte/nibble.	I	PL_GPIO_89/F17	2, Extended
MII1_RXER	PHY receive error When high, indicates an error or carrier extension in the received frame on the MII1_RXDn bus.	I	PL_GPIO_88/F16	2, Extended
MII1_TXCLK	Transmission clock This is the transmission clock (25/2.5 MHz in 100M/10Mbps) provided by the external PHY for the MII. All the MII transmission signals generated by the MAC are synchronous to this clock.	I	PL_GPIO_97/H16	2, Extended
MII1_TXD0	PHY transmit data. These bits provide the MII transmit data nibble. The validity of the data is qualified with MII1_TXEN and MII1_TXER.	O	PL_GPIO_96/H15	2, Extended
MII1_TXD1			PL_GPIO_95/H14	2, Extended
MII1_TXD2			PL_GPIO_94/H13	2, Extended
MII1_TXD3			PL_GPIO_93/G17	2, Extended
MII1_TXEN	PHY transmit data enable When high, indicates that valid data is being transmitted on the MII1_TXDn bus.	O	PL_GPIO_92/G16	2, Extended
MII1_TXER	PHY transmit error When high, indicates a transmit error or carrier extension on the MII1_TXDn bus.	O	PL_GPIO_91/G15	2, Extended
<b>RMII0/RMII1</b>				
RMII_MDC	Management data clock The MAC provides timing reference for the RMII_MDIO signal through this aperiodic clock. The maximum frequency of this clock is 2.5 MHz. This clock is generated from the application clock (HCLK) via a clock divider.	O	PL_GPIO_11/E5	Extended mode
RMII_MDIO	Management data input/output	IO	PL_GPIO_10/C3	Extended mode
RMII_REF_CLK	50 MHz reference clock input for RMII interface	I	PL_GPIO_22/D6	Extended mode



Table 31. Ethernet signals description (continued)

Signal name	Description	Dir.	PL_GPIO_# / ball number	Configuration mode (see <a href="#">Section 3.4.2</a> )
RMII0_CRS_DV	PHY receive data valid Contains the CRS (carrier sense) and data valid information of the receive interface.	I	PL_GPIO_14/A2	Extended mode
RMII0_RX_ER	PHY receive error	I	PL_GPIO_13/A1	Extended mode
RMII0_RXD0	PHY receive data	I	PL_GPIO_26/A5	Extended mode
RMII0_RXD1	These bits provide the RMII receive data. The validity of the data is qualified with RMII0_CRS_DV.		PL_GPIO_15/B3	Extended mode
RMII0_TX_EN	PHY transmit data enable When high, indicates that valid data is being transmitted on the RMII_TXDn bus	O	PL_GPIO_16/E6	Extended mode
RMII0_TXD0	PHY transmit data	O	PL_GPIO_27/B6	Extended mode
RMII0_TXD1	These bits provide the RMII transmit data. The validity of the data is qualified with RMII0_TX_EN.		PL_GPIO_17/C4	Extended mode
RMII1_CRS_DV	PHY receive data valid Contains the crs and data valid information of the receive interface.	I	PL_GPIO_19/A3	Extended mode
RMII1_RX_ER	PHY receive error	I	PL_GPIO_18/D5	Extended mode
RMII1_RXD0	PHY receive data	I	PL_GPIO_24/B5	Extended mode
RMII1_RXD1	These bits provide the RMII receive data. The validity of the data is qualified with RMII1_CRS_DV.		PL_GPIO_20/B4	Extended mode
RMII1_TX_EN	PHY transmit data enable When high, it indicates that valid data is being transmitted on the RMII_TXDn bus.	O	PL_GPIO_23/A4	Extended mode
RMII1_TXD0	PHY transmit data	O	PL_GPIO_25/C6	Extended mode
RMII1_TXD1	These bits provide the RMII transmit data. The validity of the data is qualified with RMII1_TX_EN.		PL_GPIO_21/C5	Extended mode

### 3.5 PL\_GPIO and PL\_CLK pin sharing for debug and test modes

In some cases the PL\_GPIO and PL\_CLK pins may be used in different ways for debugging purposes. There are four different cases (see also [Table 32](#)):

1. Case 0 - All the PL\_GPIO and PL\_CLK get values from Boundary scan registers during Ex-test instruction of JTAG . Typically, this configuration is used to verify the correctness of the soldering process during the production flow. The pad (PL\_GPIO or PL\_CLK) is driven by the Boundary Scan Register, and disconnected from the I/O function used in functional mode.
2. Case 1 - All the PL\_GPIO and PL\_CLK maintain their original meaning and the JTAG Interface is disconnected from the processor.
3. Case 2 - All the PL\_GPIO and PL\_CLK maintain their original meaning but the JTAG Interface is connected to the processor. This configuration is useful during the development phase, but offers only “static” debug.
4. Case 3 - Some PL\_GPIOs, as shown in [Table 32](#) below, are used to connect the ETM9 lines to an external box. This configuration is typically used only during the development phase. It offers a very powerful debug capability. When the processor reaches a breakpoint it is possible, by analyzing the trace buffer, to understand the reason why the processor has reached the break.

**Table 32. Ball sharing during debug**

Signals	Case 0 - boundary scan	Case 1 - no debug	Case 2 - static debug	Case 3 - full debug
TEST_0	0	0	1	0
TEST_1	0	0	0	1
TEST_2	0	1	1	1
TEST_3	0	1	1	1
TEST_4	1	0	0	0
nTRST	nTRST_bscan	nc	nTRST_ARM	nTRST_ARM
TCK	TCK_bscan	nc	TCK_ARM	TCK_ARM
TMS	TSM_bscan	nc	TMS_ARM	TMS_ARM
TDI	TDI_bscan	nc	TDI_ARM	TDI_ARM
TDO	TDO_bscan	nc	TDO_ARM	TDO_ARM
PL_GPIOxxx/ PL_CLKx (all pins)	Used for boundary scan	Functional mode	Functional mode	PL_GPIO97- PL_GPIO73 used for debug, Refer to <a href="#">Table 15: PL_GPIO/PL_CLK multiplexing scheme and reset states on page 43</a>

## 4 Electrical characteristics

### 4.1 Absolute maximum ratings

This product contains devices to protect the inputs against damage due to high/low static voltages. However, it is advisable to take normal precaution to avoid application of any voltage higher/lower than the specified maximum/minimum rated voltages.

**Caution:** Stresses above those listed in [Table 33](#) may cause permanent damage to the device. Exposure to maximum rating conditions for extended periods may affect device reliability.

**Table 33. Absolute maximum ratings**

Symbol	Parameter	Min	Max	Unit
$V_{DD\ 1.2}$	Supply voltage for the core	- 0.3	1.44	V
$V_{DD\ 3.3}$	Supply voltage for the I/Os	- 0.3	3.9	V
$V_{DD\ 2.5}$	Supply voltage for the analog blocks	- 0.3	3	V
$V_{DD\ 1.8}$	Supply voltage for the DRAM interface	- 0.3	2.16	V
$V_{DD\ RTC}$	RTC supply voltage	-0.3	2.16	V
$T_{STG}$	Storage temperature	-55	150	°C

### 4.2 Maximum power consumption

*Note:* These values take into consideration the worst cases of process variation and voltage range and must be used to design the power supply section of the board.

**Table 34. Maximum power consumption**

Symbol	Description	Max	Unit
$I_{DD(1.2Vsupply)}$	Current consumption of $V_{DD\ 1.2}$ supply voltage for the core	400	mA
$I_{DD(1.8Vsupply)}$	Current consumption of $V_{DD\ 1.8}$ supply voltage for the DRAM interface <sup>(1)</sup>	150	mA
$I_{DD(RTC)}$	Current consumption of RTC supply voltage	8	μA
$I_{DD(2.5Vsupply)}$	Current consumption of 2.5V supply voltage for the analog blocks	30	mA
$I_{DD(3.3Vsupply)}$	Current consumption of 3.3V supply voltage for the I/Os <sup>(2)</sup>	12	mA
$P_D$	Maximum power consumption <sup>(3)</sup>	870	mW

1. Peak current with Linux memory test (50% write and 50% read) plus DMA reading memory.
2. With 30 logic channels connected to the device and simultaneously switching at 10 MHz.
3. Based on bench measurements for worst case silicon under worst case operating conditions. Devices tested with operating system running, CPU and DDR2 running at 333 MHz, DDR2 driven by PLL2, SDRAM and all on-chip peripherals and internal modules enabled.
 

1.2 V current and power are primarily dependent on the applications running and the use of internal chip functions (DMA, USB, Ethernet, and so on).

3.3 V current and power are primarily dependent on the capacitive loading, frequency, and utilization of the external buses.

### 4.3 Recommended operating conditions

To ensure proper operation of the device, it is highly recommended to follow the conditions shown in the following table.

**Table 35. Recommended operating conditions**

Symbol	Parameter	Min	Typ	Max	Unit
V <sub>DD</sub> 1.2	Supply voltage for the core	1.14	1.2	1.3	V
V <sub>DD</sub> 3.3	Supply voltage for the I/Os	3	3.3	3.6	V
V <sub>DD</sub> 2.5	PLL supply voltage <sup>(1)</sup>	2.25	2.5	2.75	V
V <sub>DD</sub> 2.5	Oscillator supply voltage	2.25	2.5	2.75	V
V <sub>DD</sub> 1.8	Supply voltage for DRAM interface	1.70	1.8	1.9	V
V <sub>DD</sub> RTC	RTC supply voltage	1.3	1.5	1.8	V
T <sub>A</sub>	Ambient temperature <sup>(2)</sup>	-40	–	85	°C
T <sub>J</sub>	Junction temperature	-40	–	125	°C

1. For power supply filtering it is required to add an external ferrite inductor.
2. T<sub>A</sub> to be considered under JEDEC51 conditions or equivalent ones.

### 4.4 Overshoot and undershoot

This product can support the following values of overshoot and undershoot.

**Table 36. Overshoot and undershoot specifications**

Parameter	3V3 I/Os	2V5 I/Os	1V8 I/Os
Amplitude	500 mV	500 mV	500 mV
Ratio of overshoot (or undershoot) duration with respect to pulse width	1/3	1/3	1/3

If the amplitude of the overshoot/undershoot increases (decreases), the ratio of overshoot/undershoot width to the pulse width decreases (increases). The formula relating the two is:

$$\text{Amplitude of OS/US} = 0.75 \cdot (1 - \text{ratio of OS (or US) duration with respect to pulse width})$$

*Note:* The value of overshoot/undershoot should not exceed the value of 0.5 V. However, the duration of the overshoot/undershoot can be increased by decreasing its amplitude.

## 4.5 3.3V I/O characteristics

The 3.3 V I/Os are compliant with JEDEC standard JESD8b.

**Table 37. Low voltage TTL DC input specification (3 V < V<sub>DD</sub> < 3.6 V)**

Symbol	Parameter	Min	Max	Unit
V <sub>IL</sub>	Low level input voltage		0.8	V
V <sub>IH</sub>	High level input voltage	2		V
V <sub>hyst</sub>	Schmitt trigger hysteresis	300	800	mV

**Table 38. Low voltage TTL DC output specification (3 V < V<sub>DD</sub> < 3.6 V)**

Symbol	Parameter	Test condition	Min	Max	Unit
V <sub>OL</sub>	Low level output voltage	I <sub>OL</sub> = X mA <sup>(1)</sup>		0.3	V
V <sub>OH</sub>	High level output voltage	I <sub>OH</sub> = -X mA <sup>(1)</sup>	V <sub>DD</sub> - 0.3		V

1. Maximum current load (IOL) = 10 mA for PL\_GPIO and PL\_CLK pins. For the IOL max value of dedicated pins, refer to [Chapter 3: Pin description](#).

**Table 39. Pull-up and pull-down characteristics**

Symbol	Parameter	Test condition	Min	Max	Unit
R <sub>PU</sub>	Equivalent pull-up resistance	V <sub>I</sub> = 0 V	29	67	kΩ
R <sub>PD</sub>	Equivalent pull-down resistance	V <sub>I</sub> = V <sub>DDE</sub> 3V3	29	103	kΩ

## 4.6 Clocking parameters

### 4.6.1 Master clock (MCLK)

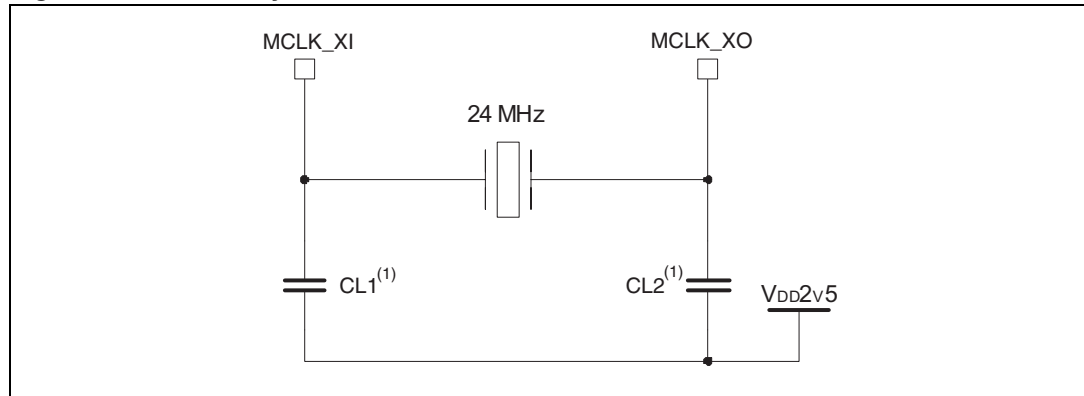
#### MCLK generated from a crystal oscillator

**Table 40. MCLK oscillator characteristics**

Symbol	Parameter	Conditions	Min	Typ	Max	Unit
f <sub>osc_in</sub>	Oscillator frequency			24 <sup>(1)</sup>	33 <sup>(2)</sup>	MHz
ESR	Equivalent series resistance				50	Ω
gm	Oscillator transconductance	Startup	19.8	28.5		mA/V
t <sub>SU</sub>	Startup time	Stabilized power on MCLK_VDD2V5 pin			2 <sup>(3)</sup>	ms

1. A frequency of 24 MHz is mandatory to obtain the required frequencies for all clocks generated by the USB PLL (PLL3).
2. At Max freq = 33 MHz the ESR value has to be less than 20 Ω.
3. Startup time simulated with a 30 MHz crystal.

**Figure 4. MCLK crystal connection**



1. C<sub>L1</sub> and C<sub>L2</sub> are the load capacitors.

The value of the capacitors depends on the type of the selected crystal. To calculate the value of the load capacitance, use the formula given below.

**Formula**

$$C_L = \frac{C_{L1} \times C_{L2}}{C_{L1} + C_{L2}} + C_s$$

Where C<sub>L1</sub> and C<sub>L2</sub> are the load capacitors and C<sub>S</sub> is the circuit stray capacitance.

In our application:

$$C_{L1} = C_{L2} = C_{ext}$$

This implies:

$$C_{\text{ext}} = (C_L - C_S) * 2$$

**Example:**

For this example, a Rakon XTAL003342 24 MHz oscillator has been used.

For the Rakon XTAL003342 crystal,  $C_L = 12$  pF

With  $C_S = \sim 3$  pF, we have:  $C_{\text{ext}} = C_{L1} = CL2 = 18$  pF

**MCLK generated from an external clock source**

**Table 41. MCLK external user clock source characteristics**

Symbol	Parameter	Conditions	Min	Typ	Max	Unit
$f_{\text{MCLK\_XI}}$	External clock source frequency		No limitation	24 <sup>(1)</sup>	33	MHz
$V_{\text{MCLK\_XIH}}$	MCLK_XI input pin high level voltage		MCLK_VDD2V5 - 0.3		MCLK_VDD2V5	V
$V_{\text{MCLK\_XIL}}$	MCLK_XI input pin low level voltage		MCLK_GNDSUB		0.3	V
$\text{DuCy}_{(\text{MCLK\_XI})}$	Duty cycle <sup>(2)</sup>		40		60	%
$t_{\text{r}(\text{MCLK\_XI})}$ $t_{\text{f}(\text{MCLK\_XI})}$	MCLK_XI input rise and fall time		-5% of the clock period		+5% of the clock period	%
$C_{\text{IN}(\text{MCLK\_XI})}$	MCLK_XI input capacitance			7		pF
$I_{\text{L}(\text{MCLK\_XI})}$	MCLK_XI input leakage current	$\text{MCLK\_GNDSUB} \leq V_{\text{IN}} \leq \text{MCLK\_VDD2V5}$			$\pm 1$	$\mu\text{A}$

1. A frequency of 24 MHz is mandatory to obtain the required operating frequency for all clocks generated by the USB PLL (PLL3).
2. An initial delay of  $1 \mu\text{s} + 2048 f_{\text{MCLK\_XI}}$  cycles occurs for duty cycle detection and internal clock availability.

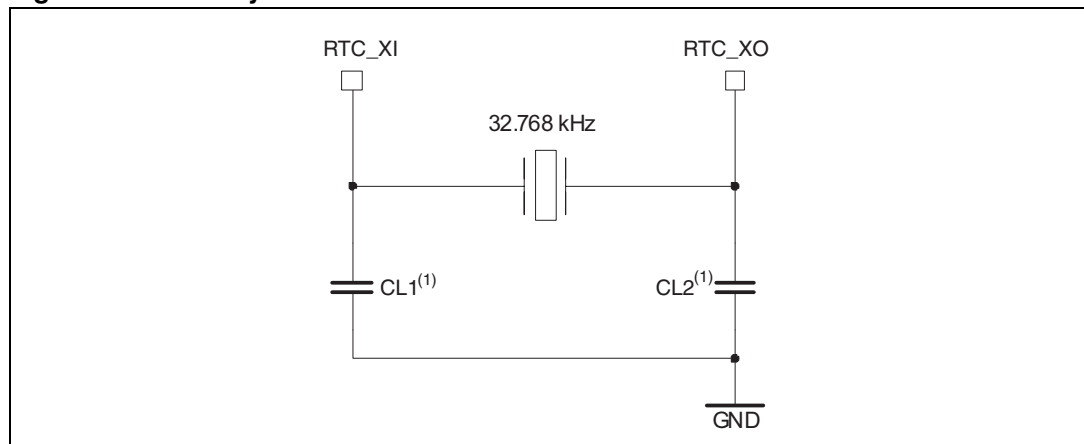
### 4.6.2 Real-time clock (RTC)

#### RTC clock generated from a crystal oscillator

**Table 42. RTC oscillator characteristics**

Symbol	Parameter	Condition	Min	Typ	Max	Unit
f <sub>OSC_IN</sub>	Oscillator frequency			32.768		kHz
ESR	Equivalent series resistance				6000	Ω
gm	Oscillator transconductance	Startup	5			μA/V
t <sub>SU</sub>	Startup time	Stabilized power on RTC_VDD1V5 pin			17000	f <sub>OSC_IN</sub> cycles

**Figure 5. RTC crystal connection**



1. C<sub>L1</sub> and C<sub>L2</sub> are the load capacitors.

The value of the capacitors depends on the type of the selected crystal. To calculate the value of the load capacitance, use the formula given below.

**Formula**

$$C_L = \frac{C_{L1} \times C_{L2}}{C_{L1} + C_{L2}} + C_s$$

Where C<sub>L1</sub> and C<sub>L2</sub> are the load capacitors and C<sub>S</sub> is the circuit stray capacitance.

In our application:

$$C_{L1} = C_{L2} = C_{ext}$$

This implies:

$$C_{ext} = (C_L - C_s) * 2$$



**Example:**

For this example, a Fox Electronics, NC26LF-327 32.768 kHz oscillator has been used.

For the Fox Electronics, NC26LF-327 crystal,  $C_L = 12.5$  pF

With  $C_S = \sim 0.1$  pF, we have:  $C_{ext} = C_{L1} = C_{L2} = 24.8$  pF=22 pF

**RTC clock generated from an external clock source****Table 43. RTC external user clock source characteristics**

Symbol	Parameter	Condition	Min	Typ	Max	Unit
$f_{RTC\_XI}$	External clock source frequency			32.768		kHz
$V_{RTC\_XIH}$	RTC_XI input pin high level voltage		RTC_VDD1V5 - 0.2		RTC_VDD1V5	V
$V_{RTC\_XIL}$	RTC_XI input pin low level voltage		RTC_GND		0.2	V
$DuCy_{(RTC\_XI)}$	Duty cycle		40		60	%
$t_{r(RTC\_XI)}$ $t_{f(RTC\_XI)}$	RTC_XI input rise and fall time				50	ns
$C_{IN(RTC\_XI)}$	RTC_XI input capacitance			5		pF
$I_{L(RTC\_XI)}$	RTC_XI input leakage	$RTC\_GND \leq V_{IN} \leq RTC\_VDD1V5$			$\pm 1$	$\mu A$

## 4.7 LPDDR and DDR2 pin characteristics

**Table 44. DC characteristics**

Symbol	Parameter	Test condition	Min	Max	Unit
$V_{IL}$	Low level input voltage	SSTL18	-0.3	$V_{REF}-0.125$	V
$V_{IH}$	High level input voltage	SSTL18	$V_{REF}+0.125$	$V_{DDE}1V8+0.3$	V
$V_{hyst}$	Input voltage hysteresis		200		mV

**Table 45. Driver characteristics**

Symbol	Parameter	Min	Typ	Max	Unit
$R_O$	Output impedance		45		$\Omega$

**Table 46. On-die termination**

Symbol	Parameter	Min	Typ	Max	Unit
RT1	Termination value of resistance for on die termination		75		$\Omega$
RT2	Termination value of resistance for on die termination		150		$\Omega$

**Table 47. Reference voltage**

Symbol	Parameter	Min	Typ	Max	Unit
$V_{REFIN}$	Voltage applied to core/pad	$0.49 * V_{DDE}$	$0.500 * V_{DDE}$	$0.51 * V_{DDE}$	V

## 4.8 ADC pin characteristics

**Table 48. ADC pin characteristics**

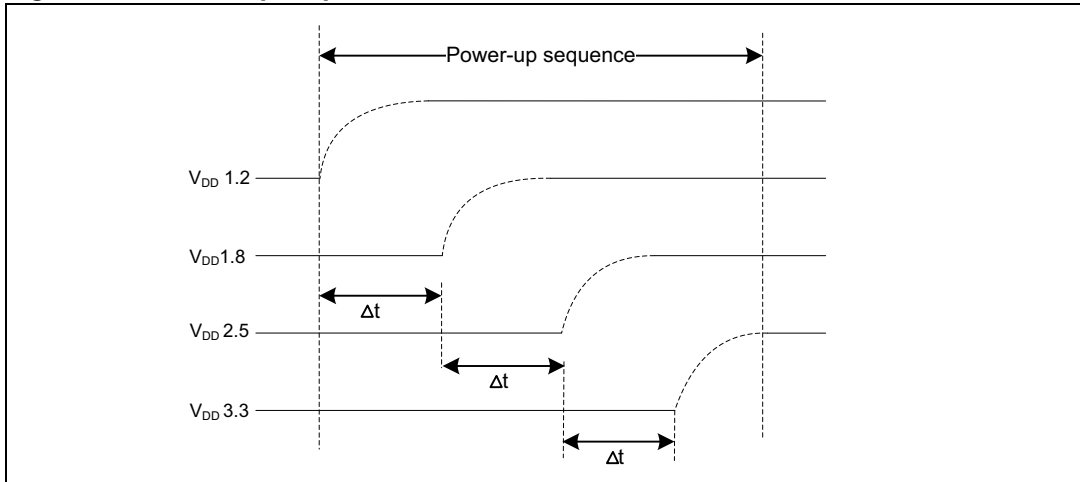
Symbol	Parameters	Min	Typ	Max	Unit
$f_{\text{ADC\_CLK}}$	ADC_CLK frequency	3		14	MHz
$V_{\text{DD}}$	ADC supply voltage			2.5	V
$V_{\text{REFP}}$	Positive reference voltage			2.5	V
$V_{\text{REFN}}$	Negative reference voltage	0			V
$V_{\text{IREF}}$	Internal reference voltage	1.95	2	2.05	V
$t_{\text{STARTUP}}$	Startup time		50		$\mu\text{s}$
$V_{\text{AIN}}$	Input range (absolute)	AGND - 0.3		AVDD - 0.3	V
	Conversion range	$V_{\text{REFN}}$		$V_{\text{REFP}}$	V
$C_{\text{AIN}}$	Input capacitance	5	6.4	8	pF
$R_{\text{AIN}}$	Input mux resistance (total equivalent sampling resistance)	1.5	2	2.5	$\text{K}\Omega$
$t_{\text{CONV}}$	Conversion time ( $f_{\text{ADC\_CLK}}=14\text{ MHz}$ )			1	$\mu\text{s}$
	Conversion time	13			ADC_CLK cycles
INL	Integral linearity error			$\pm 1$	LSB
DNL	Differential linearity error			$\pm 1$	LSB

### 4.9 Power-up sequence

It is recommended to power up the power supplies in the order shown in [Figure 6](#).

V<sub>DD</sub> 1.2 is brought up first, followed by V<sub>DD</sub> 1.8, then V<sub>DD</sub> 2.5 and finally V<sub>DD</sub> 3.3. The minimum time ( $\Delta t$ ) between each power up is  $>0 \mu s$ .

**Figure 6. Power-up sequence**



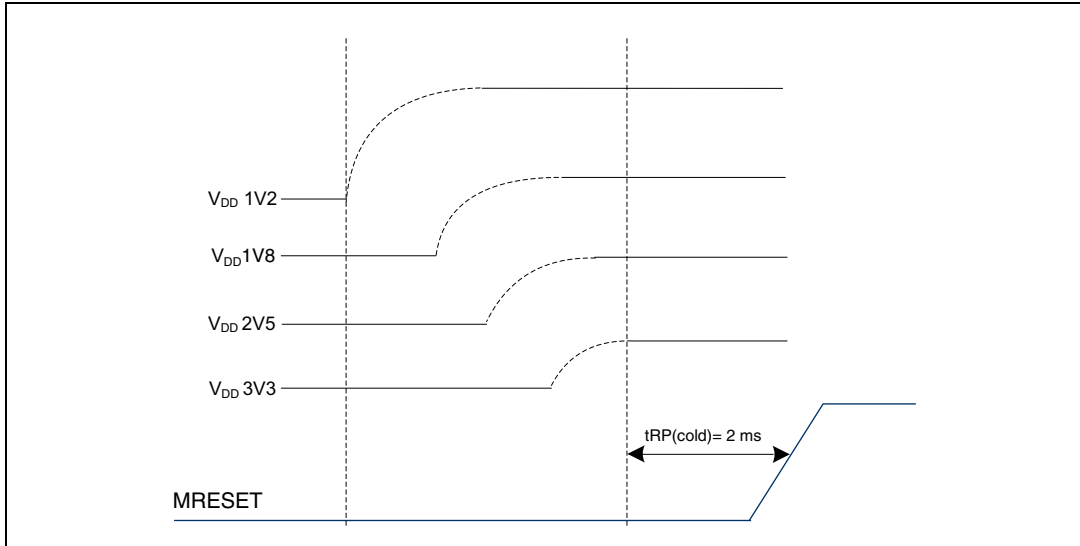
### 4.10 Power-down sequence

All power supplies can be shut down at the same time.

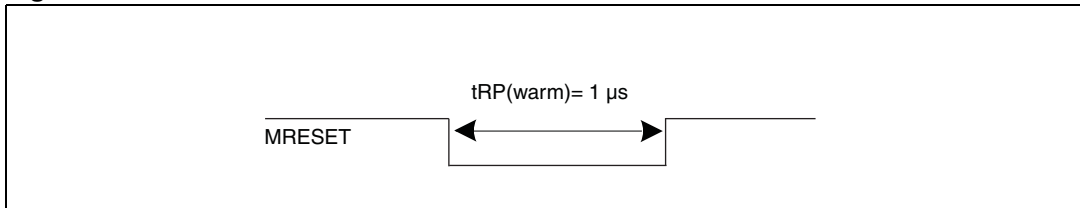
### 4.11 Reset release

The master reset (MRESET) must be released after all the power supplies are stable and for a time interval of 2 ms, which is the start-up time of the main oscillator, and must be asserted low for at least 1  $\mu$ s for warm reset.

**Figure 7. Cold reset release**



**Figure 8. Warm reset release**



Note: See also: [Section 5.2: Reset timing characteristics on page 78](#).

## 5 Timing requirements

This chapter provides the timing requirements for the synchronous and asynchronous IPs present in SPEAr320S.

The signal transition levels used for timing measurements are:  $0.2 \cdot VDD$  and  $0.8 \cdot VDD$ .

### 5.1 External interrupt timing characteristics

In legacy modes, all the interrupts are high-level triggered. In extended mode, interrupt trigger polarity is programmable as rising or falling edge.

**Table 49. PL\_GPIO external interrupt input timing**

Symbol	Description	Min	Unit
tINT	Minimum width for rising edge interrupt pulse	24	ns

### 5.2 Reset timing characteristics

**Table 50. Reset timing characteristics**

Symbol	Description	Min	Unit
tRP(cold)	MRESET pin active low state duration for cold reset (startup time from all supplies up and stable). See <a href="#">Figure 7: Cold reset release on page 77</a>	2	ms
tRP(warm)	MRESET pin active low state duration for warm reset (minimum pulse width able to reset the device). See <a href="#">Figure 8: Warm reset release on page 77</a>	1	$\mu$ s

*Note:* Warm reset can be triggered by software by writing any value to the system controller SYSSTAT register.

### 5.3 CAN timing characteristics

The nominal CAN bit time allows a delay Prop\_Seg to compensate for the physical delay times. For details refer to *RM0319, Reference manual, SPEAr320S architecture and functionality*.

[Table 51](#) specifies the delay for the CAN I/O pads.

$\text{Prop\_Seg} \geq 2 * \text{max node output delay} + \text{bus line delay} + \text{node input delay}$

**Table 51. CAN timing characteristics**

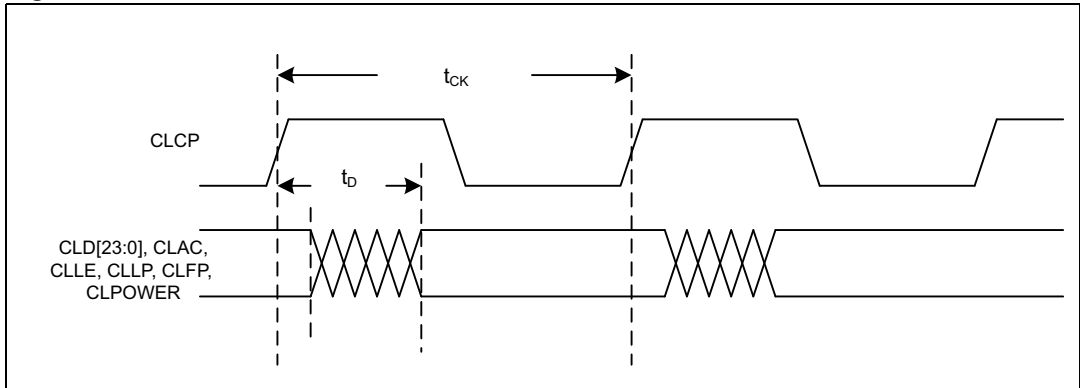
Symbol	Description	Max	Unit
$t_{d(RX)}$	CAN0_RX (PL_GPIO32) input delay	5.03	ns
	CAN1_RX (PL_GPIO30) input delay	6.2	ns
$t_{d(TX)}$	CAN0_TX (PL_GPIO33) output delay	9.55	ns
	CAN1_TX (PL_GPIO31) output delay	10.2	ns

### 5.4 CLCD timing characteristics

The CLCD has a wide variety of configurations, and the parameters change accordingly.

The timing characterization is performed assuming an output load capacitance of 10 pF on all outputs.

**Figure 9. CLCD waveform**



**Table 52. CLCD timing requirements**

Symbol	Description	Min	Max	Unit
$t_{CK}$	CLCP clock period	20.83	41.66	ns
$t_D$	CLCP to CLCD output data delay	1	9.5	



## 5.5 DDR2/LPDDR timing characteristics

The timing parameters listed below are defined by the JEDEC Standard for DDR memories. DDR memories whose parameters are within the ranges defined in [Table 53](#), [Table 54](#) and [Table 55](#) can be interfaced with SPEAr320S.

Read cycle timing apply to DQS and DQ input to SPEAr. Write cycle timings refer to DQS and DQ output to SPEAr.

The timing characterization is performed assuming an output load capacitance of 10 pF on all the DDR pads.

### 5.5.1 DDR2/LPDDR read cycle timing characteristics

Figure 10. DDR2/LPDDR read cycle waveform

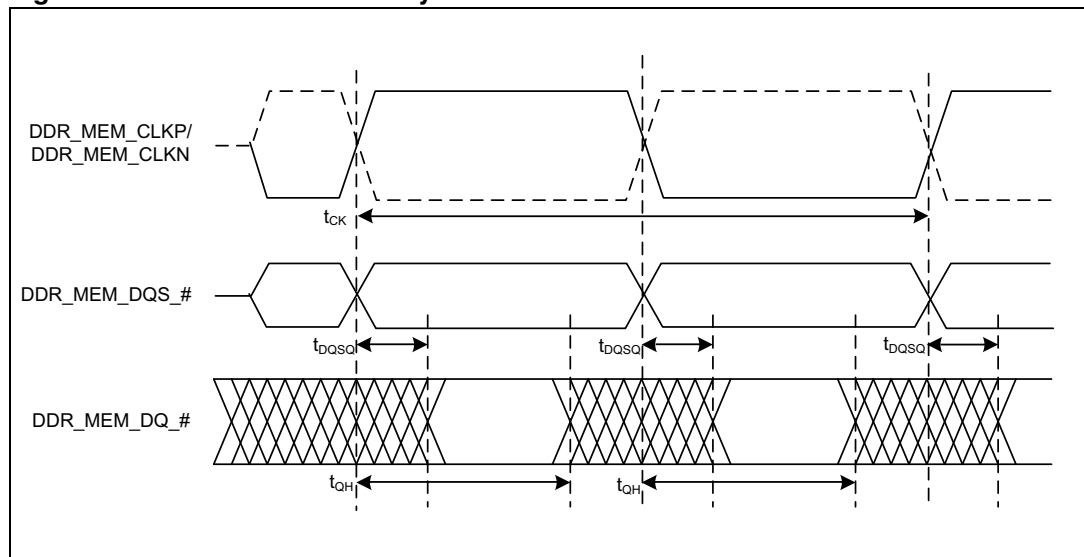


Table 53. DDR2/LPDDR read cycle timing requirements

Symbol	Description	Min	Max	Unit
$t_{ck}$	DDR_MEM_CLKP/CLKN cycle time when interfacing DDR2 memory	3		ns
	LPDDR DDR_MEM_CLKP/CLKN cycle time when interfacing LPDDR memory	6		
$t_{DQSQ}$	DQS to DQ input setup time	0	$0.25t_{CK}+0.4$	
$t_{QH}$	DQS to DQ input hold time	$0.25t_{CK}+0.7$	$0.5t_{CK}$	

### 5.5.2 DDR2/LPDDR write cycle timing characteristics

Figure 11. DDR2/LPDDR write cycle waveform

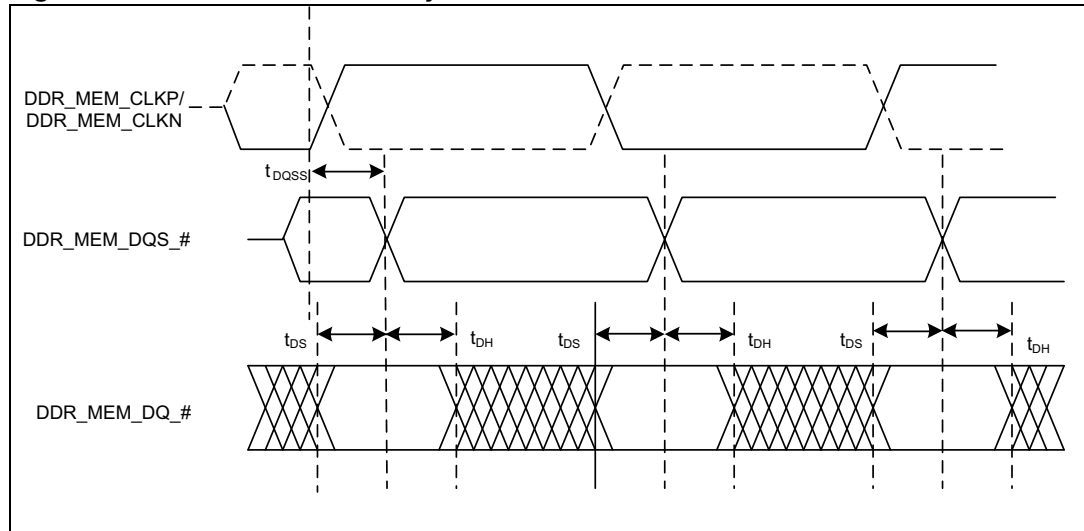


Table 54. DDR2/LPDDR write cycle timing requirements

Symbol	Description	Min	Max	Unit
$t_{DQSS}$	Positive DQS latching edge to associated CK edge	-0.5	0.5	ns
$t_{DS}$	DQ & DQM output setup time relative to DQS	0	$0.25t_{CK} - 0.76$	
$t_{DH}$	DQ & DQM output hold time relative to DQS	0	$0.25t_{CK} - 0.84$	

### 5.5.3 DDR2/LPDDR command timing characteristics

Figure 12. DDR2/LPDDR command waveform

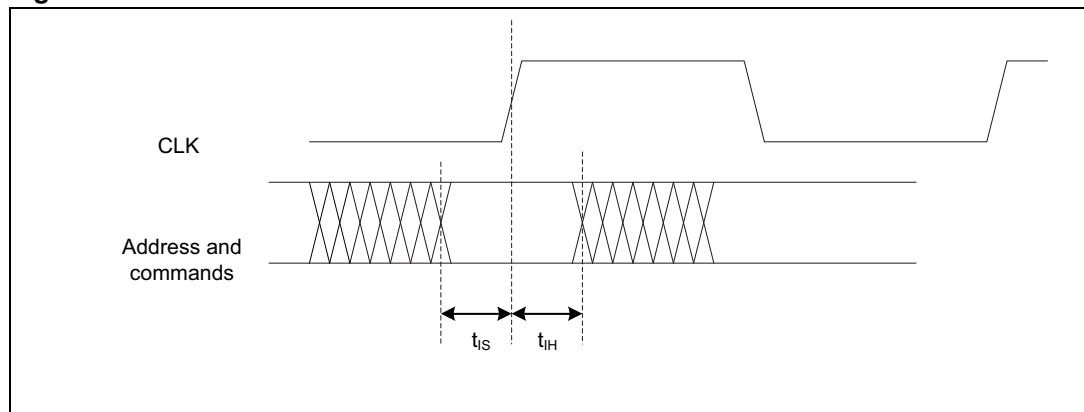
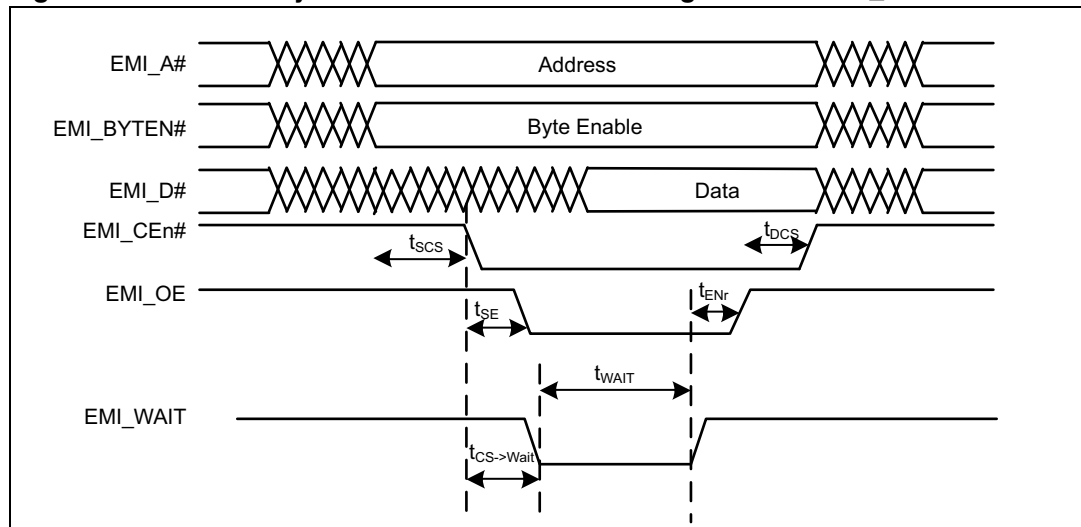


Table 55. DDR2/LPDDR command timing requirements

Symbol	Description	Min	Max	Unit
$t_{IS}$	Address and control output setup time	0	$0.5t_{CK} - 0.5$	ns
$t_{IH}$	Address and control output hold time	0	$0.5t_{CK} - 0.59$	

### 5.6 EMI timing characteristics

**Figure 13. EMI read cycle waveform with acknowledgement on EMI\_WAIT**



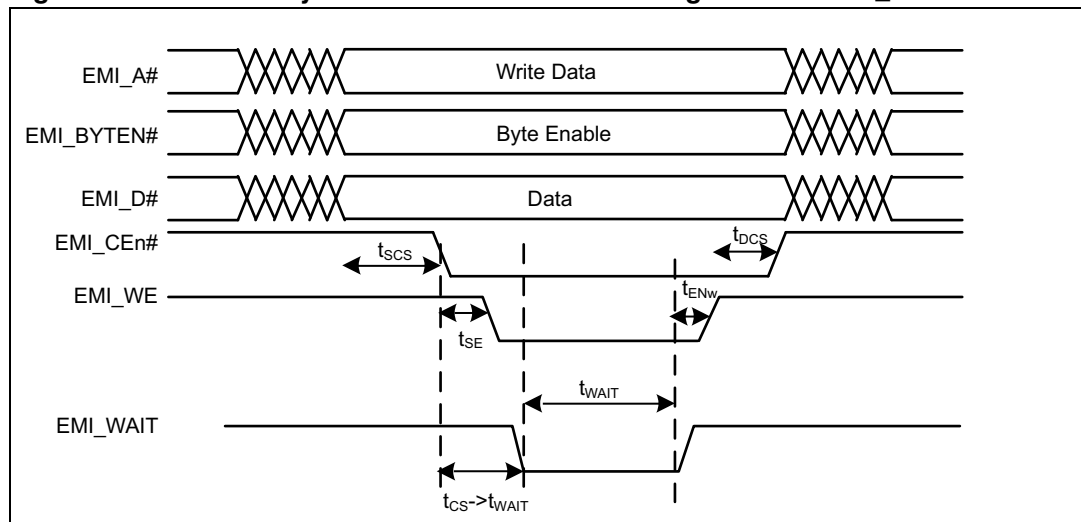
Note: The values of  $t_{SE}$ ,  $t_{ENr}$ ,  $t_{DCS}$ ,  $t_{SCS}$  are programmable via the EMI registers.

**Table 56. EMI timing requirements for read cycle with acknowledgement on WAIT**

Symbol	Min
$t_{CS \rightarrow Wait}$	$t_{HCLK}$
$t_{WAIT}$	$4 * t_{HCLK}$

Note: Values in [Table 56](#) refer to the common internal source clock which has a period of  $t_{HCLK} = 6 \text{ ns}$ .

**Figure 14. EMI write cycle waveform with acknowledgement on EMI\_WAIT**



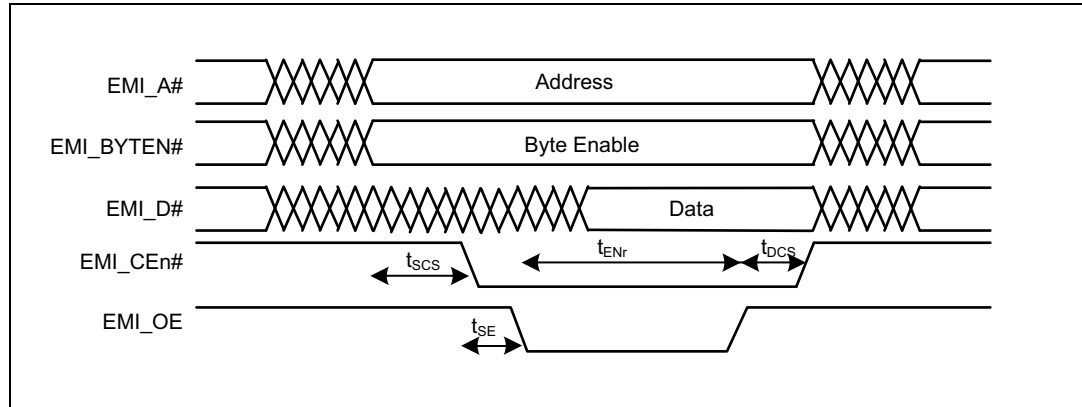
Note: The values of  $t_{SE}$ ,  $t_{ENw}$ ,  $t_{DCS}$ ,  $t_{SCS}$  are programmable via the EMI registers.

**Table 57. EMI timing requirements for write cycle with acknowledgement on WAIT**

Symbol	Min
$t_{CS \rightarrow Wait}$	$t_{HCLK}$
$t_{WAIT}$	$4 * t_{HCLK}$

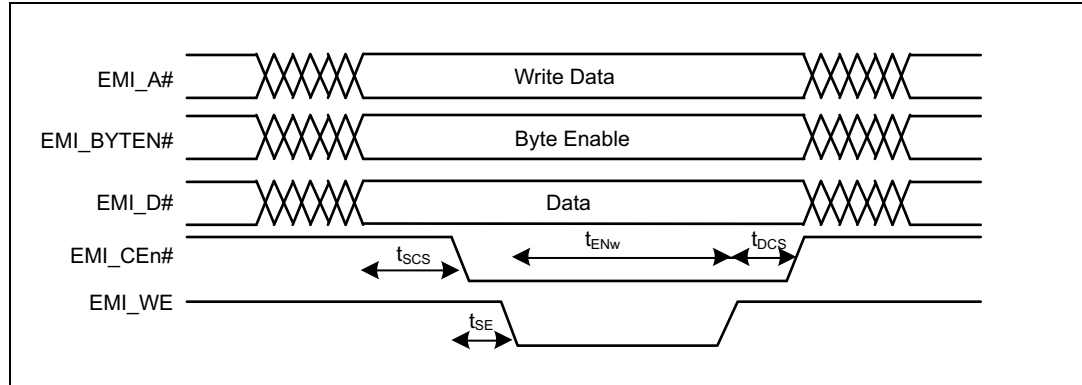
Note: Values in Table 57 refer to the common internal source clock which has a period of  $t_{HCLK} = 6 \text{ ns}$ .

**Figure 15. EMI read cycle waveform without acknowledgement on EMI\_WAIT**



Note: The values of  $t_{SE}$ ,  $t_{ENr}$ ,  $t_{DCS}$ ,  $t_{SCS}$  are programmable via the EMI registers.

**Figure 16. EMI write cycle waveform without acknowledgement on EMI\_WAIT**



Note: The values of  $t_{SE}$ ,  $t_{ENw}$ ,  $t_{DCS}$ ,  $t_{SCS}$  are programmable via the EMI registers.

**Table 58. EMI signals timing requirements**

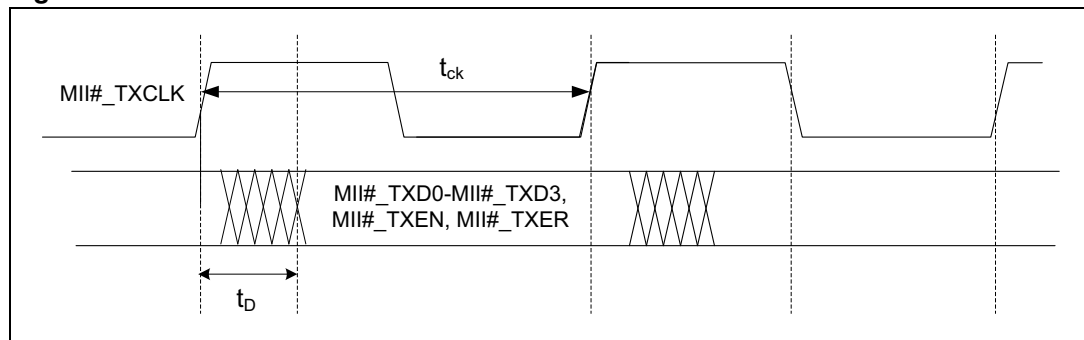
Direction	Signal name	Max	Min	Unit
Output	EMI_A0-EMI_A23	8.612293	1.93584	ns
	EMD0-EMID15	9.471291	2.260195	
	EMI_CE0	8.764648	2.90581	
	EMI_CE1	7.977348	2.636304	
	EMI_CE2	9.027624	2.930175	
	EMI_CE3	9.29631	3.006315	
	EMI_BYTEN0	9.554388	3.092855	
	EMI_BYTEN1	9.233592	3.038856	
	EMI_RE	8.193018	2.680564	
	EMI_WE	8.172619	2.80189	
Input	EMI_D0-EMI_D15	10.8188	1.30245	

## 5.7 Ethernet MII timing characteristics

The timing characterization is performed assuming an output load capacitance of 5 pF on the MII TX clock (MII#\_TXCLK) and 10 pF on the other pads.

### 5.7.1 MII transmit timing characteristics

**Figure 17. MII TX waveform**



**Table 59. MII TX timing requirements**

Symbol	Description	Min	Max	Unit
$t_{CK}$	MII#_TXCLK clock period	40	40	ns
$t_D$	MII#_TXCLK to MII output data delay	3.34	11.86	

*Note:* To calculate the  $t_{SETUP}$  value for the PHY, you have to consider the next  $t_{CK}$  rising edge, so you have to apply the following formula:  $t_{SETUP} = t_{CK} - t_{max}$

### 5.7.2 MII receive timing characteristics

Figure 18. MII RX waveform

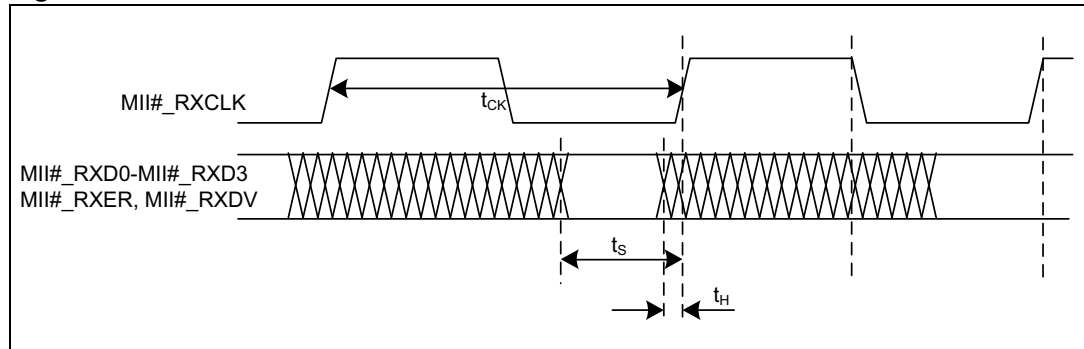


Table 60. MII RX timing requirements

Symbol	Description	Min	Max	Unit
$t_{CK}$	MII#_TXCLK clock period	40	40	ns
$t_S$	Setup time requirement for MII receive data	12.5		
$t_H$	Hold time requirement for MII receive data	-2		

### 5.7.3 MDC/MDIO timing characteristics

Figure 19. MDC waveform

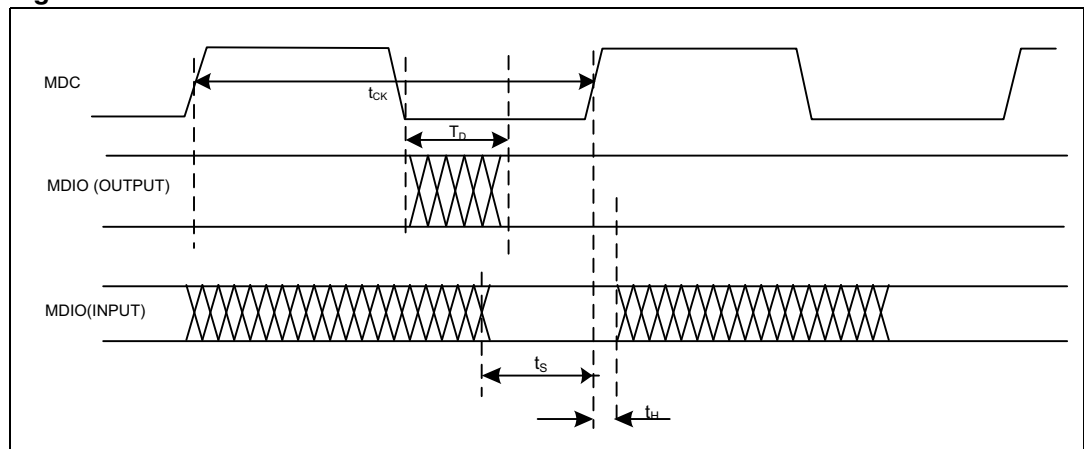


Table 61. MDC timing requirements

Symbol	Description	Min	Max	Unit
$t_{CK}$	MDC clock period	614.4	614.4	ns
$t_D$	Falling edge of MDC to MDIO output delay	-2.4	0.64	
$t_S$	Setup time requirement for MDIO input	9.6		
$t_H$	Hold time requirement for MDIO input	-6.6		

Note: When MDIO is used as output the data are launched on the falling edge of the clock as shown in Figure 19.

## 5.8 Ethernet RMI timing characteristics

### 5.8.1 RMI transmit timing characteristics

Figure 20. RMI TX waveform

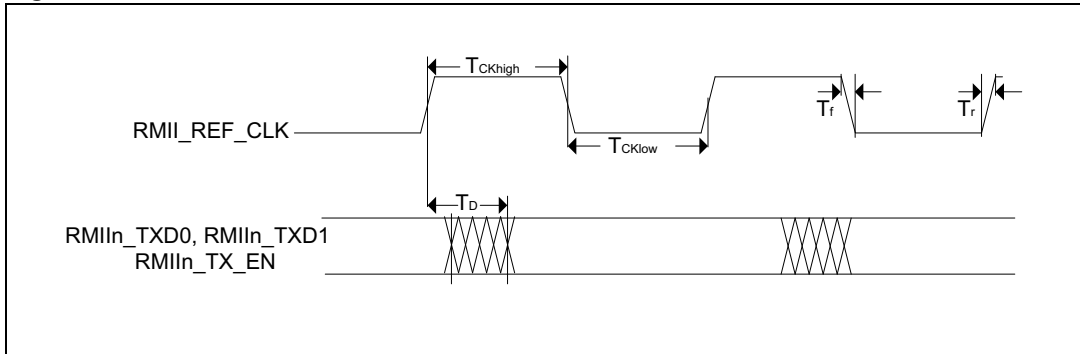
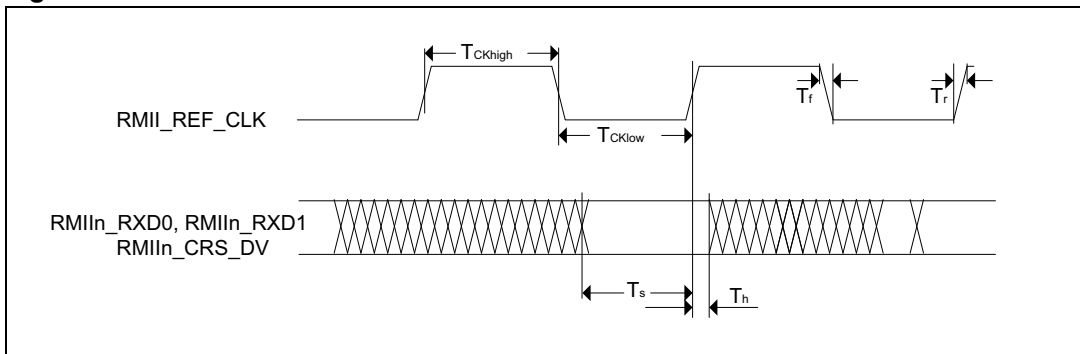


Table 62. RMI TX timing requirements

Symbol	Description	Min	Max	Unit
$t_{CK}$	RMI_REF_CLK period	20		ns
$t_D$	Clock to RMI0_TXD output delay	4.28	15.65	
	Clock to RMI1_TXD output delay	4.20	15.45	

### 5.8.2 RMI receive timing characteristics

Figure 21. RMI RX waveform



**Table 63. RMI1 RX timing requirements**

Symbol	Description	Min	Max	Unit
$t_{CK}$	RMII_REF_CLK period	20		ns
$t_S$	Setup time requirement for RMII0 receive data	4.9		
	Setup time requirement for RMII1 receive data	5		
$t_H$	Hold time requirement for RMII0 receive data	0.1		
	Hold time requirement for RMII1 receive data	-0.09		

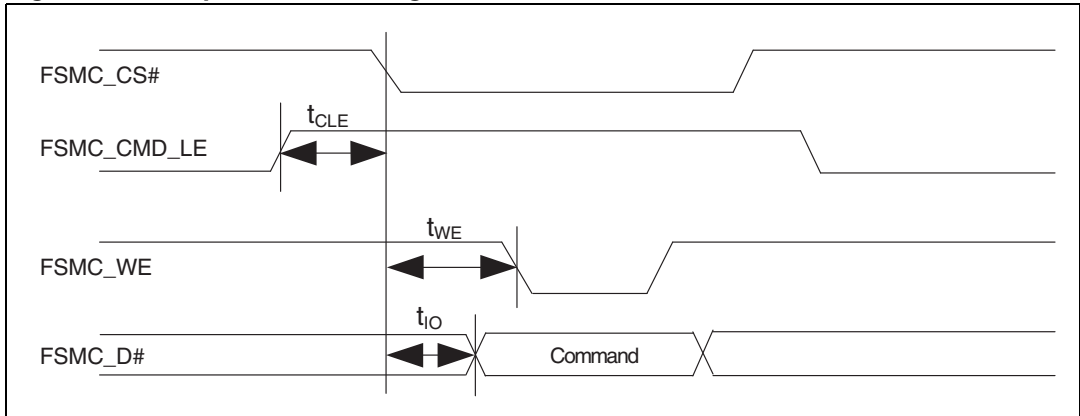


### 5.9 FSMC timing characteristics

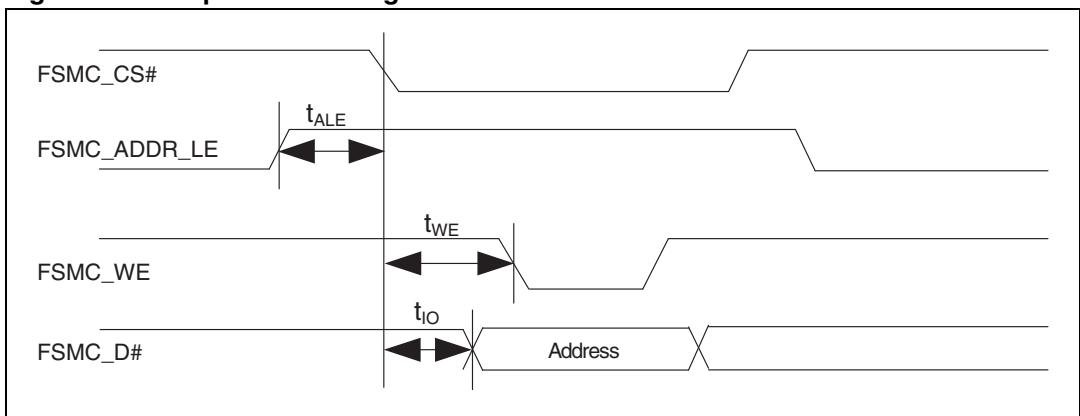
The FSMC present in SPEAr320S can interface external parallel NAND Flash memories.

The timing characterization is performed using primetime assuming an output load capacitance of 3 pF on the data, 15 pF on FSMC\_CSx, FSMC\_RE and FSMC\_WE and 10 pF on FSMC\_ADDR\_LE and FSMC\_CMD\_LE.

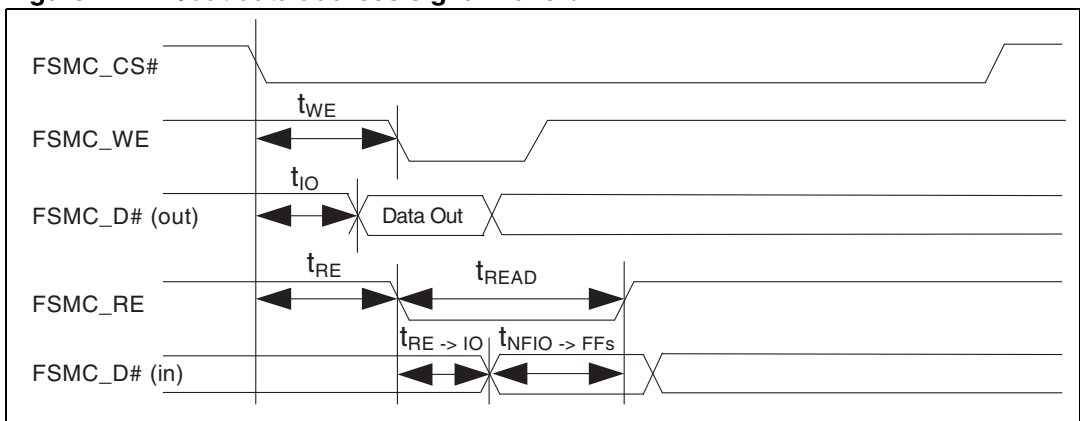
**Figure 22. Output command signal waveform**



**Figure 23. Output address signal waveform**



**Figure 24. In/out data address signal waveform**



**Table 64. FSMC timing requirements**

Symbol	Min	Max
$t_{CLE}$	-3.9	2.8
$t_{ALE}$	-4.2	2.6
$t_{WE}^{(1)}$	$((Tset+1) * t_{HCLK}) - 3 \text{ ns}$	$((Tset+1) * t_{HCLK}) + 3 \text{ ns}$
$t_{RE}^{(1)}$	$((Tset+1) * t_{HCLK}) - 3 \text{ ns}$	$((Tset+1) * t_{HCLK}) + 3 \text{ ns}$
$t_{IO}^{(2)}$	$((Thiz +1) * t_{HCLK}) - 3 \text{ ns}$	$((Thiz +1) * t_{HCLK}) + 3 \text{ ns}$
$t_{READ}^{(3)}$	$((Twait+1) * t_{HCLK})$	

1. Programmable by the Tset bits in the FSMC registers.
2. Programmable by the Thiz bits in the FSMC registers.
3. Programmable by the Twait bits in the FSMC registers.

*Note:* Values in [Table 64](#) refer to the common internal source clock which has a period of  $t_{HCLK} = 6 \text{ ns}$ .

**Table 65. FSMC signals timing requirements**

Direction	Signal name	Max	Min	Data path width	Unit
Output	FSMC_CMD_LE	10.57	3.1		ns
	FSMC_ADDR_LE	9.5	2.8		
	FSMC_WE	8.5	2.9		
	FSMC_RE	8.4	2.75		
	FSMC_CS0	9.165836	3.07661		
	FSMC_CS1	8.473722	2.81431		
	FSMC_CS2	9.172739	3.02958		
	FSMC_CS3	9.808426	3.21934		
	FSMC_D7-FSMC_D0	7.710164	2.298715	8-bit	
	FSMC_D15-FSMC_D8	9.301547	2.420165	8-bit	
	FSMC_D15-FSMC_D0	9.301547	2.298715	16-bit	
Input	FSMC_RDY/BUSY	6.88	1.7		
	FSMC_D7-FSMC_D0	8.8809	1.18356	8-bit	
	FSMC_D15-FSMC_D8	10.875302	1.37802	8-bit	
	FSMC_D15-FSMC_D0	10.875302	1.18356	16-bit	

## 5.10 GPIO/XGPIO timing characteristics

For edge-sensitive signals, the interrupt line is sampled by flip flops clocked by PCLK for GPIOs and HCLK for XGPIOs, the APB and AHB clocks, normally running at 83 MHz and 166 MHz respectively.

The minimum pulse width required for interrupt detection on signal edge is:

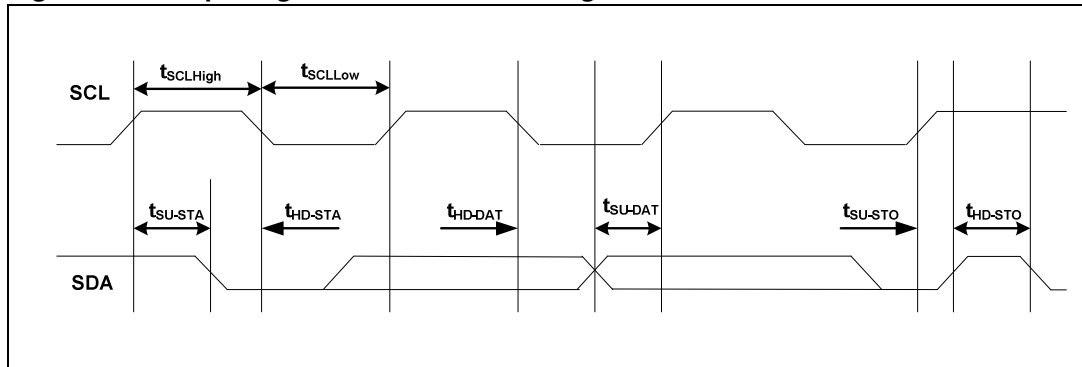
$3 \cdot T_{PCLK}$  (36 ns at 83 MHz) for GPIO

$3 \cdot T_{HCLK}$  (18 ns at 166 MHz) for XGPIO

## 5.11 I<sup>2</sup>C timing characteristics

The timing characterization is performed using primetime assuming an output load capacitance of 10 pF on SCL and SDA.

**Figure 25. Output signal waveform for I<sup>2</sup>C signals**



The timings of the high and low level of SCL ( $t_{SCLHigh}$  and  $t_{SCLLow}$ ) are programmable.

The clock-to-output data delay is:

- MIN (T(clk+data)min) = 5.9
- MAX (T(clk+data)max) = 15

The timings shown in [Figure 25](#) depend on the programmed value of  $t_{SCLHigh}$  and  $t_{SCLLow}$ . The values listed in [Table 66](#) to [Table 68](#) have been calculated using the minimum programmable values of :

- High-speed mode: IC\_HS\_SCL\_HCNT= 19 and IC\_HS\_SCL\_LCNT= 53 registers
- Fast-speed mode: IC\_FS\_SCL\_HCNT= 99 and IC\_FS\_SCL\_LCNT= 215 registers
- Standard-speed mode: IC\_SS\_SCL\_HCNT= 664 and IC\_SS\_SCL\_LCNT= 780 registers

These minimum values depend on the AHB clock frequency, which is 166 MHz.

- Note:**
- 1 A device may internally require a hold time of at least 300 ns for the SDA signal (referred to the  $V_{IHmin}$  of the SCL signal) to bridge the undefined region of the falling edge of SCL (Please refer to the I<sup>2</sup>C Bus Specification v3-0 Jun 2007). However, the SDA data hold time in the I<sup>2</sup>C controller of SPEAr320S is one-clock cycle based (6 ns with the HCLK clock at 166 MHz). This time may be insufficient for some slave devices. A few slave devices may not receive the valid address due to the lack of SDA hold time and will not acknowledge even if the address is valid. If the SDA data hold time is insufficient, an error may occur.
  - 2 **Workaround:** If a device needs more SDA data hold time than one clock cycle, an RC delay circuit is needed on the SDA line as illustrated in [Figure 26](#).

Figure 26. RC delay circuit

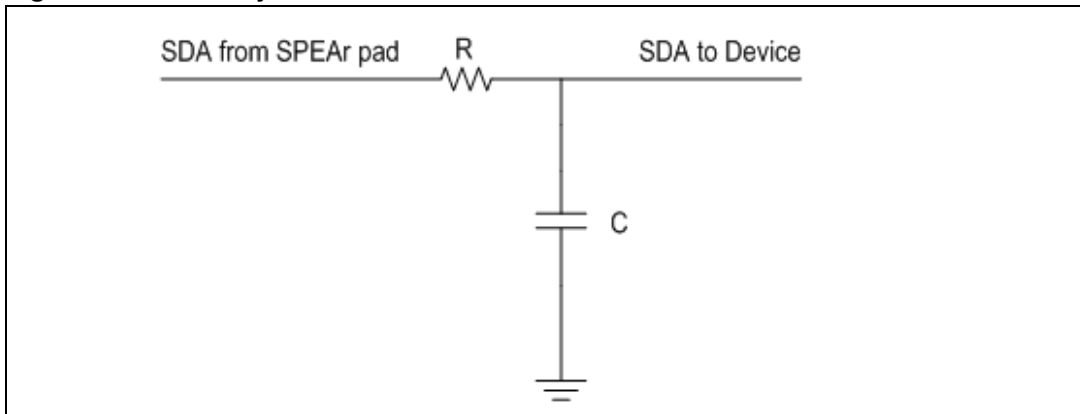


Table 66. I<sup>2</sup>C timing requirements in high-speed mode

Parameter	Min	Unit
t <sub>SU-STA</sub>	140	ns
t <sub>HD-STA</sub>	325	
t <sub>SU-DAT</sub>	300	
t <sub>HD-DAT</sub>	1	
t <sub>SU-STO</sub>	620	
t <sub>HD-STO</sub>	4745	

Table 67. I<sup>2</sup>C timing requirements in fast-speed mode

Parameter	Min	Unit
t <sub>SU-STA</sub>	620	ns
t <sub>HD-STA</sub>	602	
t <sub>SU-DAT</sub>	1270	
t <sub>HD-DAT</sub>	1	
t <sub>SU-STO</sub>	620	
t <sub>HD-STO</sub>	4745	

Table 68. I<sup>2</sup>C timing requirements in standard-speed mode

Parameter	Min	Unit
t <sub>SU-STA</sub>	4718	ns
t <sub>HD-STA</sub>	3992	
t <sub>SU-DAT</sub>	4660	
t <sub>HD-DAT</sub>	1	
t <sub>SU-STO</sub>	4010	
t <sub>HD-STO</sub>	4745	

### 5.12 I2S timing characteristics

Figure 27. I2S waveform

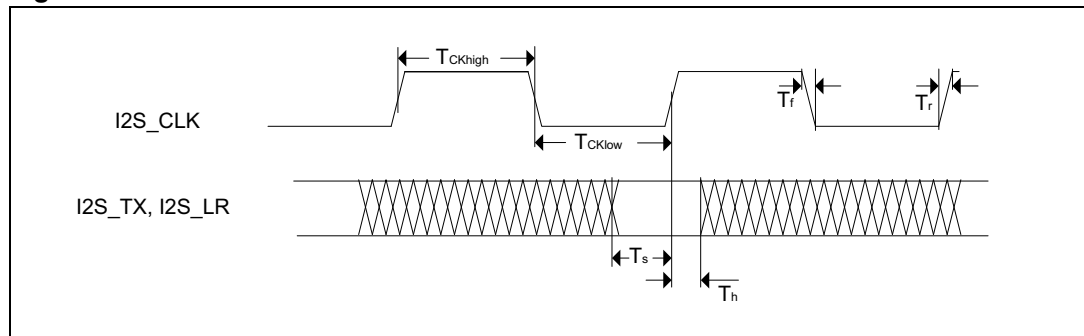


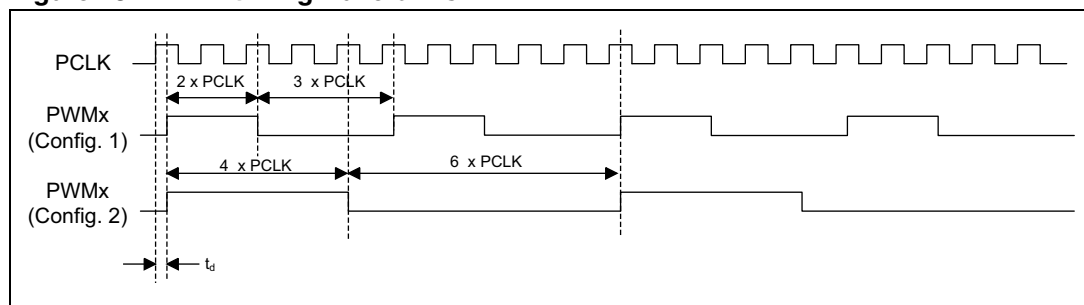
Table 69. I2S timing requirements

Symbol	Description	Min	Max	Unit
$t_{CK}$	I2S_CLK clock period	40		ns
$t_D$	I2S_CLK to I2S_TX output delay	3.8	9	
$t_S$	Setup time requirement for I2S_CLK	6		
$t_H$	Hold time requirement for I2S_CLK	1		

### 5.13 PWM timing characteristics

This section describes the timing characteristics of the four PWM generators. [Figure 28](#) shows two PWM waveforms in two example configurations programmed using the PWM registers.

Figure 28. PWM timing waveforms



**Config. 1:** Prescaler<sub>x</sub> = 0, Duty\_reg\_x = 2, Period\_Reg\_x = 4.

**Config. 2:** Prescaler<sub>x</sub> = 1, Duty\_reg\_x = 2, Period\_Reg\_x = 4.

**Calculations** (in PLCK periods):

$$PWMxDuty = (Prescaler_x + 1) * Duty\_reg\_x$$

$$PWMx\ Period = (Prescaler_x + 1) * (Period\_Reg\_x = 1)$$

Table 70. PWM timing characteristics

Symbol	Parameter	PWM Channel	External pin	Min	Max	Unit
$t_d$	PWM path delay from PWM internal output to output on external pin	PWM1	PL_GPIO_9	4.1	14.3	ns
			PL_GPIO_15	3.9	13.7	
			PL_GPIO_31	4.3	15.1	
			PL_GPIO_38	4.2	14.6	
			PL_GPIO_43	4.0	14.3	
			PL_GPIO_60	4.0	13.8	
		PWM2	PL_GPIO_89	3.4	10.4	
			PL_GPIO_8	4.3	15.2	
			PL_GPIO_14	4.0	14.3	
			PL_GPIO_30	4.3	15.0	
			PL_GPIO_37	4.2	15.0	
			PL_GPIO_42	4.2	14.5	
		PWM3	PL_GPIO_59	4.2	13.8	
			PL_GPIO_88	3.3	11.0	
			PL_GPIO_7	4.4	15.1	
			PL_GPIO_13	4.5	15.8	
			PL_GPIO_29	4.3	15.3	
			PL_GPIO_34	4.5	15.8	
		PWM4	PL_GPIO_41	3.9	13.8	
			PL_GPIO_58	4.1	14.2	
			PL_GPIO_87	3.4	11.5	
			PL_GPIO_6	4.2	14.7	
			PL_GPIO_12	4.0	13.9	
			PL_GPIO_28	4.5	15.3	
			PL_GPIO_40	4.3	15.1	
			PL_GPIO_57	4.4	15.3	
			PL_GPIO_86	3.5	11.9	

### 5.14 SD timing characteristics

Figure 29. SD timing waveform

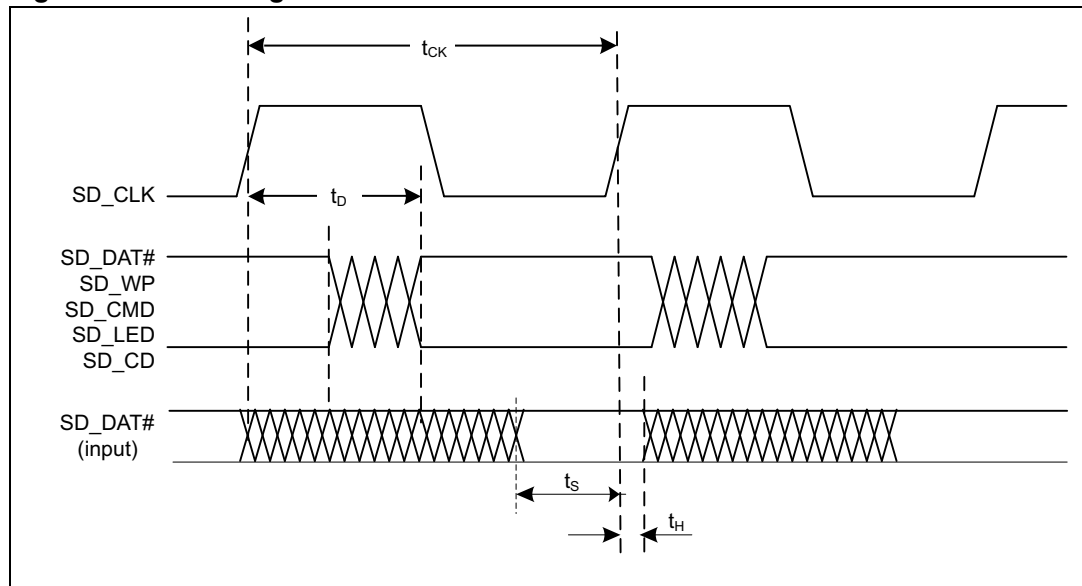


Table 71. SD timing requirements (high-speed mode, 48 MHz)

Symbol	Description	Min	Max	Unit
$t_{CK}$	SD_CLK clock period	20.8	–	ns
$t_D$	SD_CLK to SD output delay	-1.60	10	
$t_S$	Setup time requirement for SD inputs	7.35		
$t_H$	Hold time requirement for SD inputs	0.19		

Table 72. SD timing requirements (full-speed mode, 24 MHz)

Symbol	Description	Min	Max	Unit
$t_{CK}$	SD_CLK clock period	41.6	–	ns
$t_{ck-half}$	SD_CLK half period	20.8		
$t_D$	SD_CLK to SD output delay	-0.40	10	
$t_S$	Setup time requirement for SD inputs	7.35		
$t_H$	Hold time requirement for SD inputs	0.19		

Note: In full-speed mode, the frequency is 24 MHz (41.6 ns). The data is launched at the falling edge of the 24 MHz clock and captured on the clock's rising edge (the effective available time is always 20.8 ns)



### 5.15 SMI timing characteristics

Figure 30. SMI input/output waveform

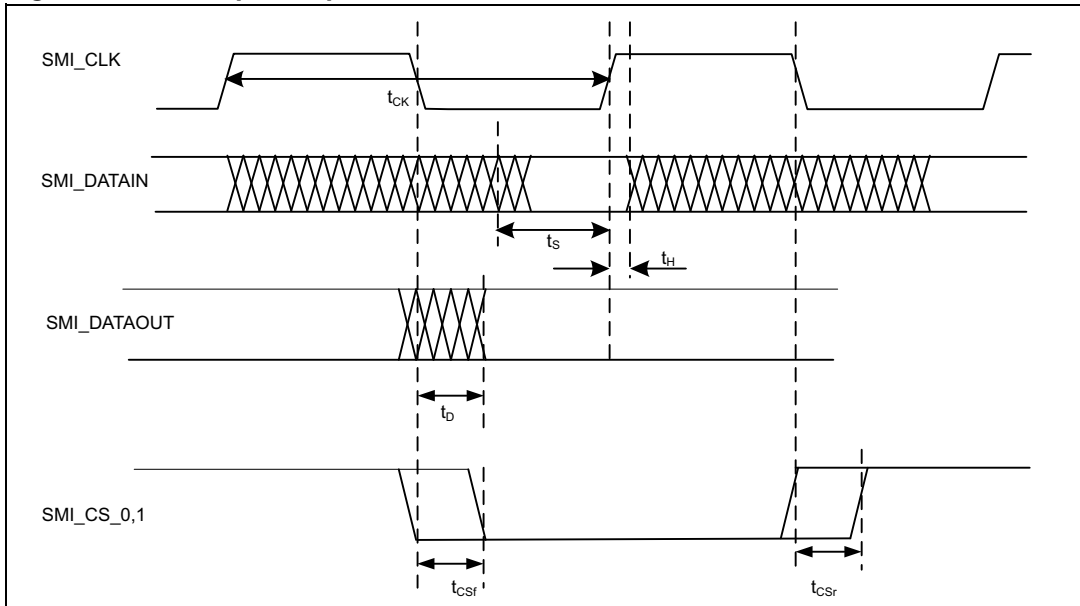


Table 73. SMI timing requirements

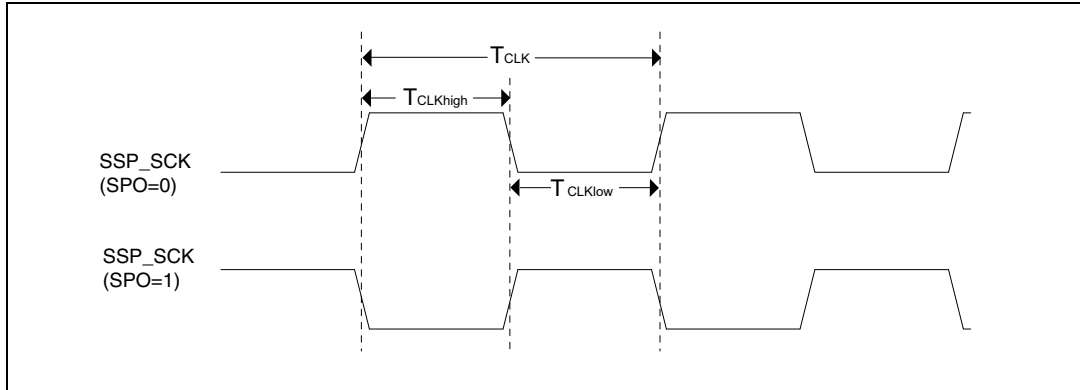
Symbol	Description	Min	Max	Unit
$t_{ck}$	SMI clock period	20	50	ns
$t_D$	SMI_CLK to SMI_DATAOUT output delay	-2.96	3.05	
$t_S$	Setup requirement for SMI_DATAIN	8.05		
$t_H$	Hold requirement for SMI_DATAIN	-2.53		
$t_{csf}$	Minimum and maximum delay of falling edge of SMI_CS_0 , 1 with regard to SMI_CLK	-3.0	2.9	
$t_{csr}$	Minimum and maximum delay of rising edge of SMI_CS_0 , 1 with regard to SMI_CLK	-2.8	2.8	

### 5.16 SSP timing characteristics

This section describes the timing characteristics of the synchronous serial port.

*Note:* The characterization of the SSP has been done using the SPI protocol.

**Figure 31. SSP\_SCK waveform**



The clock polarity parameter (SPO) indicates the state of the clock signal when it is idle. This can be programmed in the SSPCR0 register.

- SPO= 0 The clock idle state is low.
- SPO= 1 The clock idle state is high.

#### 5.16.1 SPI master mode timings

SSP\_SCK is the SPI output clock.

$T_{PCLK}$  is the clock period of the PCLK internal clock.

**Figure 32. SPI master mode external timing waveform (SPH= 0, SPO =0)**

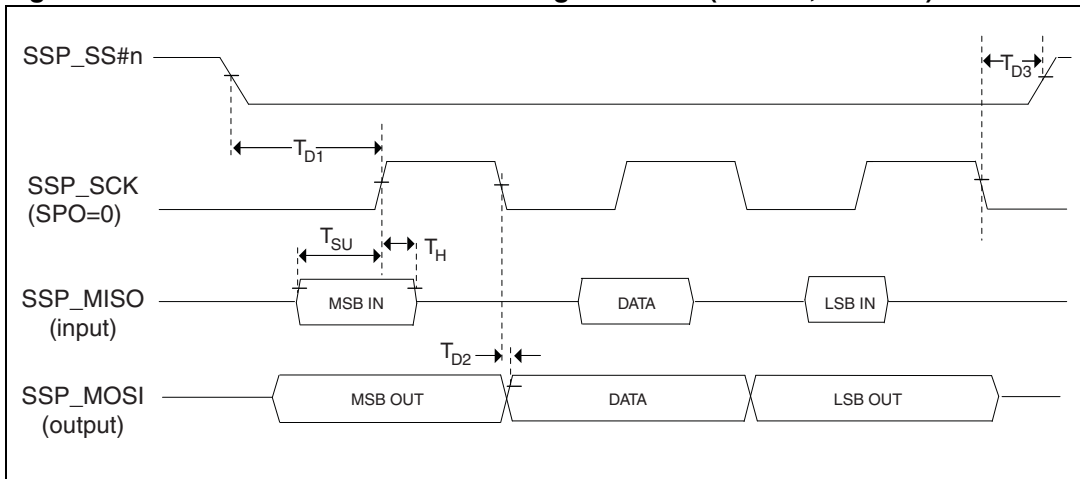


Table 74. SPI master mode timing characteristics (SPH = 0, SPO=0)

Symbol	Parameters		Min	Max	Unit
T <sub>SU</sub>	Setup time, MISO (input) valid before SSP_SCK (output) rising edge	SSP0	7.8		ns
		SSP1	16		
		SSP2	15.55		
T <sub>H</sub>	Hold time, MISO (input) valid after SSP_SCK (output) rising edge	SSP0	-2.7		ns
		SSP1	-4		
		SSP2	-4.6		
T <sub>D1</sub>	Delay time, SSP_SS#n (output) falling edge to first SSP_SCK (output) rising edge	SSP0	T <sub>SSP_SCK</sub> -10	T <sub>SSP_SCK</sub> -3	ns
		SSP1	T <sub>SSP_SCK</sub> -6.4	T <sub>SSP_SCK</sub> -0.9	
		SSP2	T <sub>SSP_SCK</sub> -5.87	T <sub>SSP_SCK</sub> -0.03	
T <sub>D2</sub>	Delay time, SSP_SCK (output) falling edge to MOSI (output) transition	SSP0	2.7	9.5	ns
		SSP1	0.57	5.34	
		SSP2	0.2	5.53	
T <sub>D3</sub>	Delay time, SSP_SCK (output) falling edge to SSP_SS#n (output) rising edge	SSP0	(T <sub>SSP_SCK</sub> /2)+ 3	(T <sub>SSP_SCK</sub> /2) +8	ns
		SSP1	(T <sub>SSP_SCK</sub> /2)+ 0.9	(T <sub>SSP_SCK</sub> /2) +6.4	
		SSP2	(T <sub>SSP_SCK</sub> /2)-0.03	(T <sub>SSP_SCK</sub> /2) +5.87	

Figure 33. SPI master mode external timing waveform (SPH= 0, SPO =1 )

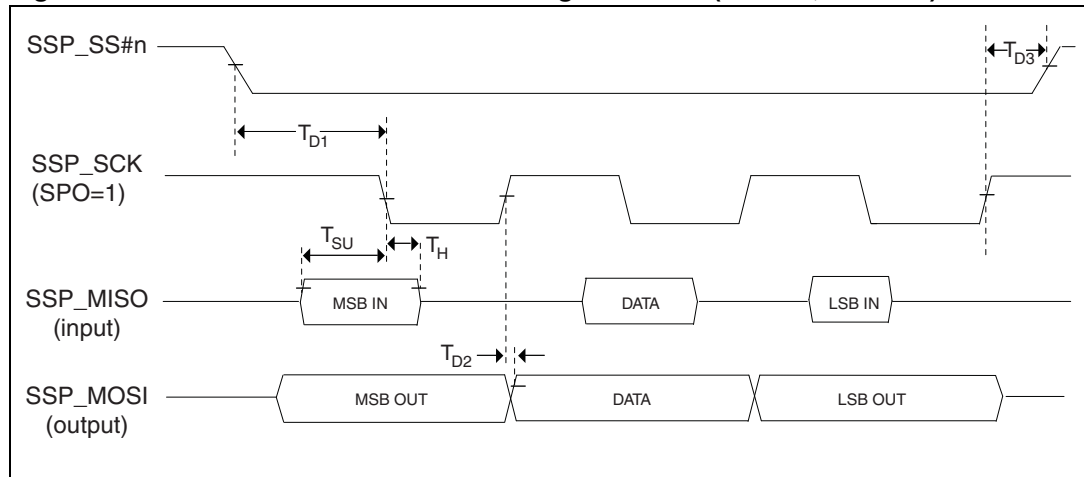


Table 75. SPI master mode timing characteristics (SPH = 0, SPO=1)

Symbol	Parameters		Min	Max	Unit
T <sub>SU</sub>	Setup time, MISO (input) valid before SSP_SCK (output) falling edge	SSP0	7.8		ns
		SSP1	16		
		SSP2	15.55		
T <sub>H</sub>	Hold time, MISO (input) valid after SSP_SCK (output) falling edge	SSP0	-2.7		ns
		SSP1	-4		
		SSP2	-4.6		
T <sub>D1</sub>	Delay time, SSP_SS#n (output) falling edge to first SSP_SCK (output) falling edge	SSP0	T <sub>SSP_SCK</sub> -10	T <sub>SSP_SCK</sub> -3	ns
		SSP1	T <sub>SSP_SCK</sub> -6.4	T <sub>SSP_SCK</sub> -0.9	
		SSP2	T <sub>SSP_SCK</sub> -5.87	T <sub>SSP_SCK</sub> -0.03	
T <sub>D2</sub>	Delay time, SSP_SCK (output) rising edge to MOSI (output) transition	SSP0	2.7	9.5	ns
		SSP1	0.57	5.34	
		SSP2	0.2	5.53	
T <sub>D3</sub>	Delay time, SSP_SCK (output) rising edge to SSP_SS#n (output) rising edge	SSP0	(T <sub>SSP_SCK</sub> /2)+ 3	(T <sub>SSP_SCK</sub> /2) +8	ns
		SSP1	(T <sub>SSP_SCK</sub> /2)+ 0.9	(T <sub>SSP_SCK</sub> /2) +6.4	
		SSP2	(T <sub>SSP_SCK</sub> /2)-0.03	(T <sub>SSP_SCK</sub> /2) +5.87	

Figure 34. SPI master mode external timing waveform (SPH = 1, SPO = 0)

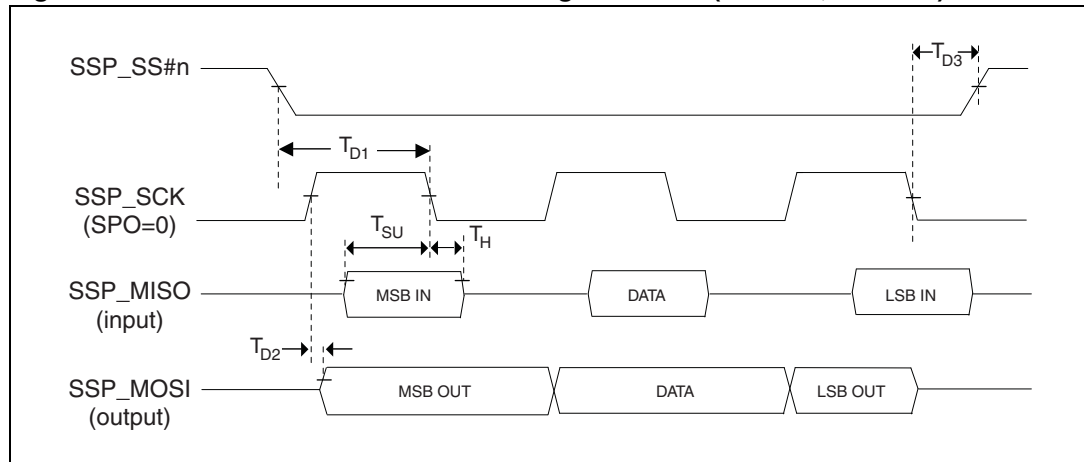


Table 76. SPI master mode timing characteristics (SPH = 1, SPO=0)

Symbol	Parameters		Min	Max	Unit
T <sub>SU</sub>	Setup time, MISO (input) valid before SSP_SCK (output) falling edge	SSP0	7.8		ns
		SSP1	16		
		SSP2	15.55		
T <sub>H</sub>	Hold time, MISO (input) valid after SSP_SCK (output) falling edge	SSP0	-2.7		ns
		SSP1	-4		
		SSP2	-4.6		
T <sub>D1</sub>	Delay time, SSP_SS#n (output) falling edge to first SSP_SCK (output) falling edge	SSP0	(T <sub>SSP_SCK</sub> /2)-10	(T <sub>SSP_SCK</sub> /2)-3	ns
		SSP1	(T <sub>SSP_SCK</sub> /2)-6.4	(T <sub>SSP_SCK</sub> /2)-0.9	
		SSP2	(T <sub>SSP_SCK</sub> /2)-5.87	(T <sub>SSP_SCK</sub> /2)-0.03	
T <sub>D2</sub>	Delay time, SSP_SCK (output) rising edge to MOSI (output) transition	SSP0	2.7	9.5	ns
		SSP1	0.57	5.34	
		SSP2	0.2	5.53	
T <sub>D3</sub>	Delay time, SSP_SCK (output) rising edge to SSP_SS#n (output) rising edge	SSP0	T <sub>SSP_SCK</sub> + 3	(T <sub>SSP_SCK</sub> + 10)	ns
		SSP1	T <sub>SSP_SCK</sub> + 0.9	(T <sub>SSP_SCK</sub> + 6.4)	
		SSP2	T <sub>SSP_SCK</sub> - 0.03	T <sub>SSP_SCK</sub> + 5.87	

Figure 35. SPI master mode external timing waveform (SPH = 1, SPO = 1)

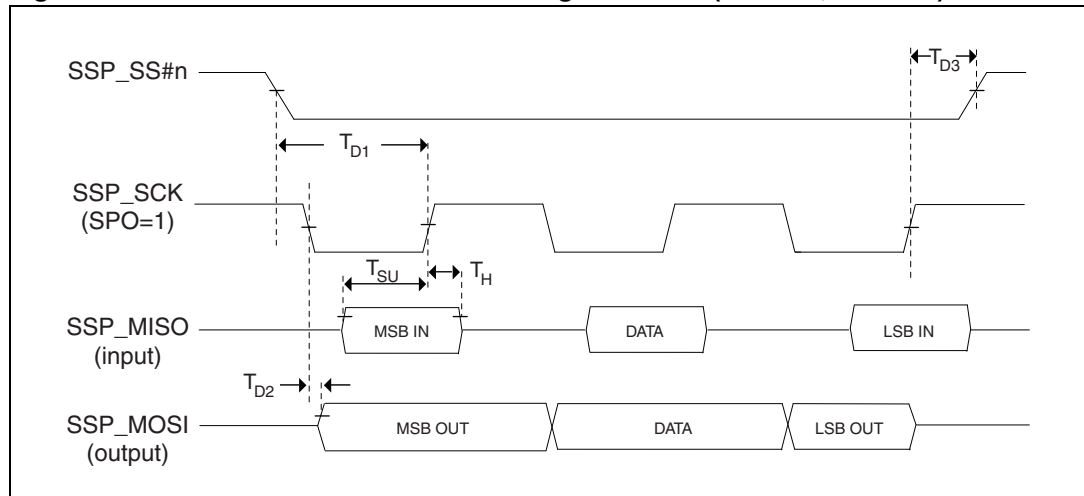


Table 77. SPI master mode timing characteristics (SPH = 1, SPO=1)

Symbol	Parameters	Min	Max	Unit	
T <sub>SU</sub>	Setup time, MISO (input) valid before SSP_SCK (output) rising edge	SSP0	7.8	ns	
		SSP1	16		
		SSP2	15.55		
T <sub>H</sub>	Hold time, MISO (input) valid after SSP_SCK (output) rising edge	SSP0	-2.7	ns	
		SSP1	-4		
		SSP2	-4.6		
T <sub>D1</sub>	Delay time, SSP_SS#n (output) falling edge to first SSP_SCK (output) rising edge	SSP0	(T <sub>SSP_SCK</sub> /2)-10	(T <sub>SSP_SCK</sub> /2)-3	ns
		SSP1	(T <sub>SSP_SCK</sub> /2)-6.4	(T <sub>SSP_SCK</sub> /2)-0.9	
		SSP2	(T <sub>SSP_SCK</sub> /2)-5.87	(T <sub>SSP_SCK</sub> /2)-0.03	
T <sub>D2</sub>	Delay time, SSP_SCK (output) falling edge to MOSI (output) transition	SSP0	2.7	9.5	ns
		SSP1	0.57	5.34	
		SSP2	0.2	5.53	
T <sub>D3</sub>	Delay time, SSP_SCK (output) rising edge to SSP_SS#n (output) rising edge	SSP0	T <sub>SSP_SCK</sub> + 3	(T <sub>SSP_SCK</sub> + 10)	ns
		SSP1	T <sub>SSP_SCK</sub> + 0.9	(T <sub>SSP_SCK</sub> + 6.4)	
		SSP2	T <sub>SSP_SCK</sub> - 0.03	T <sub>SSP_SCK</sub> + 5.87	

### 5.16.2 SPI slave mode timings

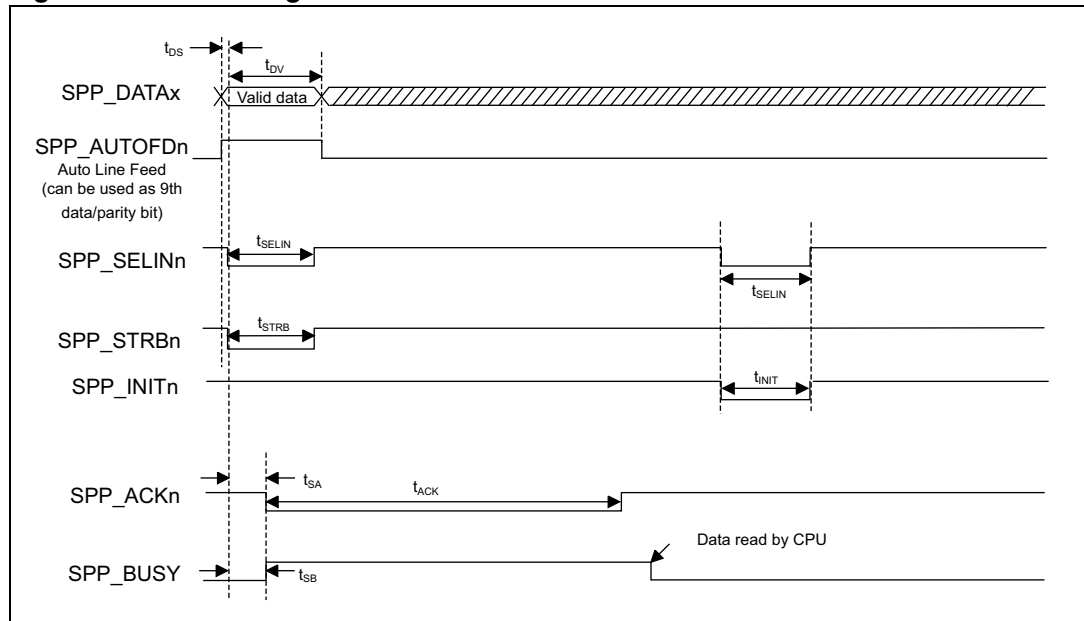
**Table 78. SSP timing characteristics (slave mode)**

Symbol	Parameters	Min	Max	Unit
$T_{SSP\_CLK}$	SSP_CLK_IN input clock period	$T_{PCLK} * 12$	$254 * 256 * T_{PCLK}$	ns
$T_{SSP\_CLKHigh}$	SSP_SCK high pulse	$T_{SSP\_CLK} / 2$		
$T_{SSP\_CLKLow}$	SSP_SCK low pulse	$T_{SSP\_CLK} / 2$		
$T_{SU}$	Data input setup time	$4 * T_{PCLK}$		
$T_H$	Data input hold time	0		
$T_D$	Data output delay	$3 * T_{PCLK}$	$4 * T_{PCLK}$	

### 5.17 SPP timing characteristics

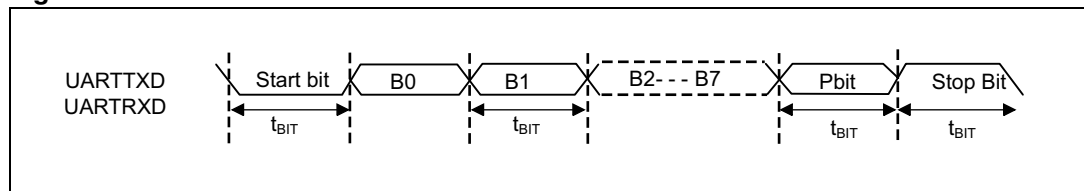
This section describes the timing characteristics of the standard parallel port (SPP).

**Figure 36. SPP timing waveform**



### 5.18 UART timing characteristics

**Figure 37. UART transmit and receive waveform**



**Table 79. UART transmit timing characteristics**

Symbol	Parameters	Min	Max	Unit
$f_{\text{baudrate}}$	UART1 .. UART6 baud rate		6 <sup>(1)</sup>	Mbps
	UART0 baud rate		3	
$t_{\text{BIT}}$	UART duration of transmit data bit (B0..B7), Parity bit (Pbit), Start bit, Stop bits <sup>(2)</sup>	$1/f_{\text{baudrate}} - t_{\text{UARTCLK}} - 1$	$1/f_{\text{baudrate}} + t_{\text{UARTCLK}} + 1$	ns

1. Maximum baudrate = 6 Mbps provided that UARTCLK is within a frequency range greater than 96 MHz and less than 5/3 PCLK.
2.  $t_{\text{UARTCLK}} = 1/f_{\text{UARTCLK}}$  with  $f_{\text{UARTCLK}}$  in MHz

**Table 80. UART receive timing characteristics**

Symbol	Parameter	Conditions	Min	Max	Unit
$t_{\text{BIT}}$	Pulse duration of receive data (B0 ..B7), Parity bit (Pbit), Start bit, Stop bits <sup>(1)</sup>	Baudrate = 6 Mbps	$1/f_{\text{baudrate}} - (t_{\text{UARTCLK}}/2)$	$1/f_{\text{baudrate}} + (t_{\text{UARTCLK}}/2)$	ns
			$1/f_{\text{baudrate}} - 1/(16 * f_{\text{baudrate}})$	$1/f_{\text{baudrate}} + (16 * f_{\text{baudrate}})$	ns

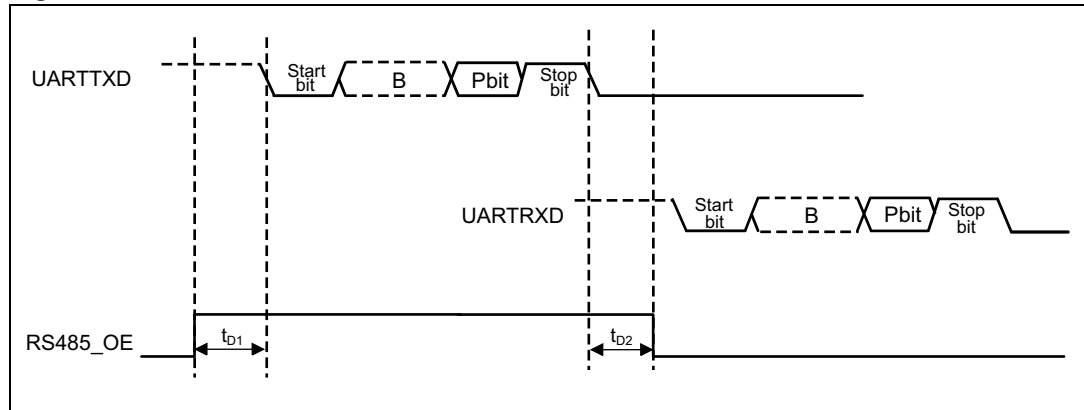
1. The time margin is with respect to a single bit accumulation and not with respect to the whole UART frame. The start bit is sampled after the 8th baud cycle after a low is detected at input, Subsequently, each bit is sampled at consecutive 16 baud cycles.

The above min. and max. values allow a deviation of  $\pm 1$  baud cycle in a single bit time. The accumulated deviation of a UART character frame must not exceed  $3/(16 * f_{\text{baudrate}})$ .

For information related to baud rate generation refer to:

- [Section 2.12: Asynchronous serial ports \(UART\)](#)
- *RM0321, Reference manual, SPEAr320S address map and registers*

**Figure 38. RS485\_OE transmit and receive waveform**





**Table 81. RS485\_OE transmit and receive timing characteristics**

Symbol	Parameters	Min	Max	Unit
$t_{D1}$	Delay from OE enable till UART first bit transmission	500		ns
$t_{D2}$	Delay from UART last bit transmission till OE enable	900		ns

- Note:*
- 1 The time value depends upon the CPU frequency to write and read registers.
  - 2 It also depends on the UART clock frequency used to set its flag register bit to indicate the end of transmission.

For example:

For  $t_{D2}$ , the above values are with respect to 83 MHz PCLK and UARTCLK 83 MHz.

## 6 Package information

In order to meet environmental requirements, ST offers these devices in different grades of ECOPACK<sup>®</sup> packages, depending on their level of environmental compliance. ECOPACK<sup>®</sup> specifications, grade definitions and product status are available at: [www.st.com](http://www.st.com). ECOPACK<sup>®</sup> is an ST trademark.

**Table 82. LFBGA289 (15 x 15 x 1.7 mm) mechanical data**

Dim.	mm			inches		
	Min.	Type	Max.	Min.	Type	Max.
A			1.700			0.0669
A1	0.270			0.0106		
A2		0.985			0.0387	
A3		0.200			0.0078	
A4			0.800			0.0315
b	0.450	0.500	0.550	0.0177	0.0197	0.0217
D	14.850	15.000	15.150	0.5846	0.5906	0.5965
D1		12.800			0.5039	
E	14.850	15.000	15.150	0.5846	0.5906	0.5965
E1		12.800			0.5039	
e		0.800			0.0315	
F		1.100			0.0433	
ddd			0.200			0.0078
eee			0.150			0.0059
fff			0.080			0.0031

Figure 39. LFBGA289 package dimensions

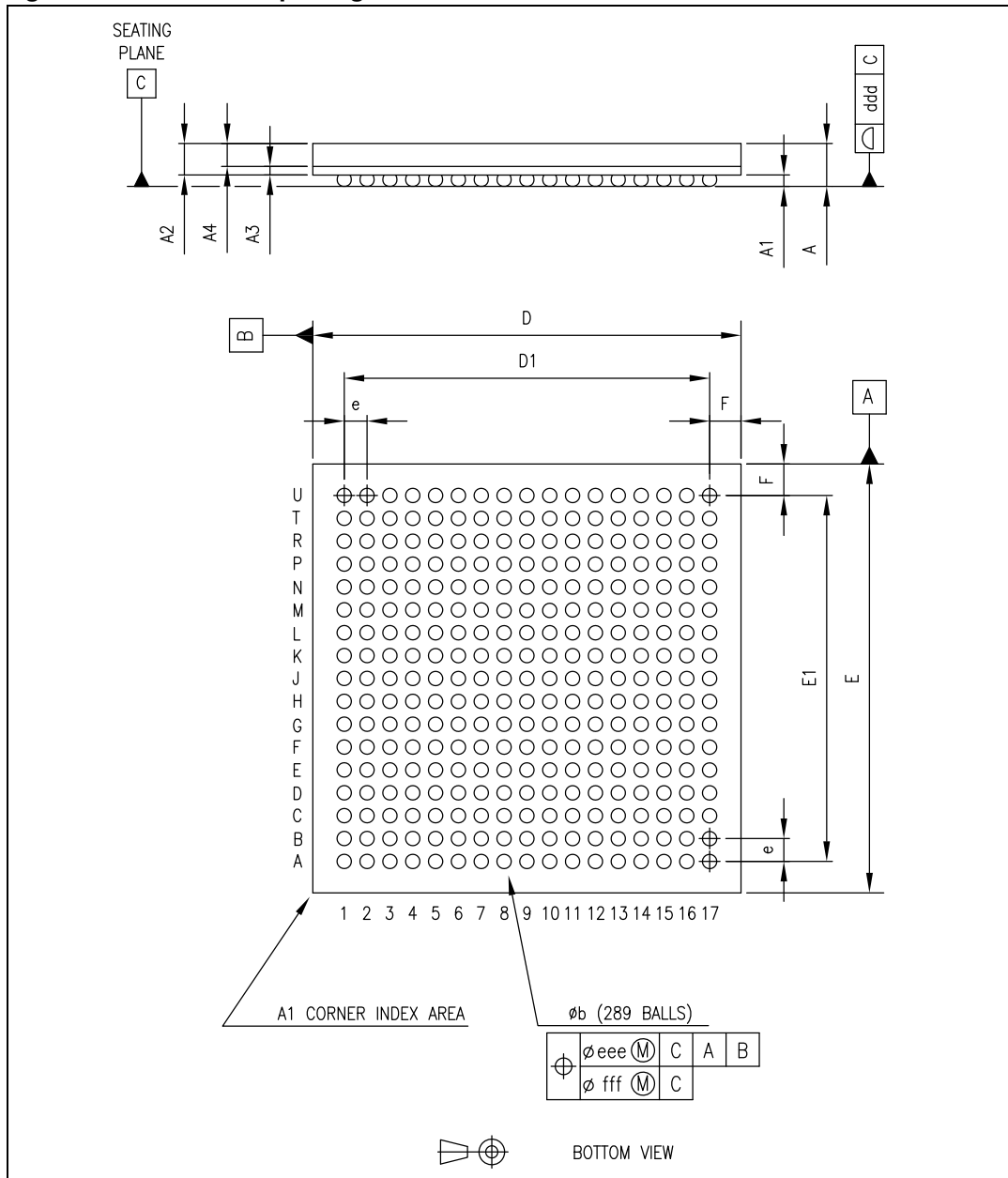


Table 83. LFBGA289 package thermal characteristics

Symbol	Parameter	Value	Unit
$\Theta_{JA}^{(1)}$	Thermal resistance junction-to-ambient	30	°C/W
$\Theta_{JB}$	Thermal resistance junction-to-board	21	
$\Theta_{JC}$	Thermal resistance junction-to-case	13.5	
$\Psi_{JC}$	Junction-to-case thermal characterisation parameter	0.48	

1. Measured on JESD51 2s2p test board.

## Appendix A Acronyms

**Table 84. List of acronyms**

Acronym	Definition
ADC	Analog-to-digital converter
AES	Advanced encryption standard
AHB	AMBA high speed bus
AMBA	Advanced microcontroller bus architecture
APB	Advanced peripheral bus
BIST	Built-In self test
CAN	Controller area network
CBC	Cipher block chaining
CMOS	Complimentary metal-oxide semiconductor
CPU	Central processing unit
CRC	Cyclic redundancy check
DDR	Double data rate
DES	Data encryption standard
DLL	Delay locked loop (when applied to DDR memories)
DMA	Direct memory access
EMI	External memory interface
ETM	Embedded trace macrocell
FIFO	First-in-first-out
FIQ	Fast interrupt request
FPGA	Field programmable gate array
FSMC	Flexible static memory controller
GB	Giga bytes
GPIO	General purpose input / output
HLOS	High-level operating system
HMI	Human machine interface
HW	Hardware
IrDA	Infrared data association
IRQ	Interrupt request
JPEG	Joint photographic experts group
JTAG	Joint test action group
KB	Kilo bytes
LCD	Liquid color display

**Table 84. List of acronyms (continued)**

<b>Acronym</b>	<b>Definition</b>
LSB	Least significant bit
MAC	Media access control
MB	Mega bytes
MCU	Microcontroller unit
MD5	Message digest 5
MII	Media independent interface
MMU	Memory management unit
MSB	Most significant bit
PHY	Physical (device, transceiver, layer)
PLL	Phase locked loop
PWM	Pulse width modulation
RAM	Random access memory
RAS	Reconfigurable array subsystem
RF	Radio frequency
RFU	Reserved for future use
RISC	Reduced instruction set computing
RMI	Reduced media independent interface
ROM	Read only memory
RTC	Real-time clock
RTOS	Real-time operating system
RX	Receive
SHA-1	Secure hash algorithm
SMI	Serial memory interface
SoC	System-on-chip
SPI	Serial peripheral interface
SPP	Standard parallel port
SRAM	Static RAM
SSP	Synchronous serial port
SW	Software
TCM	Tightly coupled memory
TFT	Thin film transistor, a display technology
TX	Transmit
UART	Universal asynchronous receiver transmitter
USB	Universal serial bus

**Table 84. List of acronyms (continued)**

Acronym	Definition
VIC	Vectored interrupt controller
WDT	Watchdog timer

## Revision history

**Table 85. Document revision history**

Date	Revision	Changes
5-Apr-2012	1	Initial release.
27-Sep-2012	2	<p><i>Figure 1: SPEAr320S architectural block diagram</i>: Replaced “4 KB SRAM” by “8 KB SRAM”.</p> <p><i>Section 2.2: Internal memories (BootROM/SRAM)</i>: Added “Boot from UART0” and “Boot from Ethernet MII0” to the list of bootstrap modes.</p> <p><i>Section 2.25: System controller (SYSCTR)</i>: Replaced “a low-speed oscillator” by “a crystal oscillator (24 MHz) or a low-frequency oscillator (32 KHz)” in Doze mode description.</p> <p><i>Table 32: Ball sharing during debug</i>: modified the configuration for pins TEST_2, TEST_3 and TEST_4.</p> <p><i>Section 3.4.2: Extended mode: RMI automation networking mode</i> revised descriptions of each mode.</p> <p><i>Section 3.4.5: Boot pins</i> added description of H[7:0] pins Ethernet MII0 boot and bypass mode.</p> <p>Updated <i>Figure 3: Hierarchical multiplexing scheme</i></p> <p>Added note on I/O direction below <i>Table 13: PL_GPIO / PL_CLK pins description</i></p> <p>Chaged order of columns and added reset states to <i>Table 15: PL_GPIO/PL_CLK multiplexing scheme and reset states</i></p> <p>Added <i>Section 3.5: PL_GPIO and PL_CLK pin sharing for debug and test modes</i></p> <p><i>Table 8: Debug pins description</i>:</p> <ul style="list-style-type: none"> <li>– Replaced “Test configuration ports” by “Debug mode configuration ports”</li> <li>– Deleted “For functional mode, they have to be set to zero” for pins TEST_0 to TEST_4.</li> <li>– Added a cross-reference.</li> <li>– Added bypass mode to <i>Table 14: Boot pins description</i></li> </ul> <p><i>Section 4.6: Clocking parameters</i>:</p> <ul style="list-style-type: none"> <li>– Added <i>Table 40: MCLK oscillator characteristics</i> and new <i>Section : MCLK generated from a crystal oscillator</i>.</li> </ul> <p>Added <i>Table 42: RTC oscillator characteristics</i> and new <i>Section : RTC clock generated from an external clock source</i>. <i>Section 4.11: Reset release</i>:</p> <ul style="list-style-type: none"> <li>– Updated the introduction.</li> <li>– Renamed and updated <i>Figure 7: Cold reset release</i>.</li> <li>– Added new <i>Figure 8: Warm reset release</i>.</li> </ul> <p><i>Table 50: Reset timing characteristics</i>: added new row for warm reset.</p>

Table 85. Document revision history (continued)

Date	Revision	Changes
27-Sep-2012	2 (cont'd)	<p>Added <a href="#">Section 5.3: CAN timing characteristics</a></p> <p>Updated <a href="#">Section 5.5: DDR2/LPDDR timing characteristics</a></p> <p><a href="#">Section 5.7.3: MDC/MDIO timing characteristics</a>, corrected td min</p> <p>Updated <a href="#">Table 62: RMIITX timing requirements</a></p> <p><a href="#">Section 5.11: I2C timing characteristics</a> added note and diagram of RC circuit.</p> <p>Added <a href="#">Section 5.13: PWM timing characteristics</a></p> <p>Added <a href="#">Section 5.18: UART timing characteristics</a></p> <p><a href="#">Table 83: LFBGA289 package thermal characteristics</a>:</p> <ul style="list-style-type: none"> <li>– Modified <math>\Theta_{JA}</math>, <math>\Theta_{JB}</math>, <math>\Theta_{JC}</math> values.</li> <li>– Added <math>\Psi_{JC}</math> value.</li> </ul>



**Please Read Carefully:**

Information in this document is provided solely in connection with ST products. STMicroelectronics NV and its subsidiaries ("ST") reserve the right to make changes, corrections, modifications or improvements, to this document, and the products and services described herein at any time, without notice.

All ST products are sold pursuant to ST's terms and conditions of sale.

Purchasers are solely responsible for the choice, selection and use of the ST products and services described herein, and ST assumes no liability whatsoever relating to the choice, selection or use of the ST products and services described herein.

No license, express or implied, by estoppel or otherwise, to any intellectual property rights is granted under this document. If any part of this document refers to any third party products or services it shall not be deemed a license grant by ST for the use of such third party products or services, or any intellectual property contained therein or considered as a warranty covering the use in any manner whatsoever of such third party products or services or any intellectual property contained therein.

**UNLESS OTHERWISE SET FORTH IN ST'S TERMS AND CONDITIONS OF SALE ST DISCLAIMS ANY EXPRESS OR IMPLIED WARRANTY WITH RESPECT TO THE USE AND/OR SALE OF ST PRODUCTS INCLUDING WITHOUT LIMITATION IMPLIED WARRANTIES OF MERCHANTABILITY, FITNESS FOR A PARTICULAR PURPOSE (AND THEIR EQUIVALENTS UNDER THE LAWS OF ANY JURISDICTION), OR INFRINGEMENT OF ANY PATENT, COPYRIGHT OR OTHER INTELLECTUAL PROPERTY RIGHT.**

**UNLESS EXPRESSLY APPROVED IN WRITING BY TWO AUTHORIZED ST REPRESENTATIVES, ST PRODUCTS ARE NOT RECOMMENDED, AUTHORIZED OR WARRANTED FOR USE IN MILITARY, AIR CRAFT, SPACE, LIFE SAVING, OR LIFE SUSTAINING APPLICATIONS, NOR IN PRODUCTS OR SYSTEMS WHERE FAILURE OR MALFUNCTION MAY RESULT IN PERSONAL INJURY, DEATH, OR SEVERE PROPERTY OR ENVIRONMENTAL DAMAGE. ST PRODUCTS WHICH ARE NOT SPECIFIED AS "AUTOMOTIVE GRADE" MAY ONLY BE USED IN AUTOMOTIVE APPLICATIONS AT USER'S OWN RISK.**

Resale of ST products with provisions different from the statements and/or technical features set forth in this document shall immediately void any warranty granted by ST for the ST product or service described herein and shall not create or extend in any manner whatsoever, any liability of ST.

ST and the ST logo are trademarks or registered trademarks of ST in various countries.

Information in this document supersedes and replaces all information previously supplied.

The ST logo is a registered trademark of STMicroelectronics. All other names are the property of their respective owners.

© 2012 STMicroelectronics - All rights reserved

STMicroelectronics group of companies

Australia - Belgium - Brazil - Canada - China - Czech Republic - Finland - France - Germany - Hong Kong - India - Israel - Italy - Japan - Malaysia - Malta - Morocco - Philippines - Singapore - Spain - Sweden - Switzerland - United Kingdom - United States of America

[www.st.com](http://www.st.com)

