



## 60mA Switched-Cap BUCK/BOOST CONVERTER

### FEATURES

- **Wide Input Range: 1.8V to 5.5V**
- **Automatic Step-Up/Step-Down Operation**
- **Low Input Current Ripple**
- **Low Output Voltage Ripple**
- **Minimum Number of External Components—No Inductors**
- **1MHz Internal Oscillator Allows Small Capacitors**
- **Shutdown Mode**
- **Thermal and Current Limit Protection**
- **Six Output Voltages Available: 5.5V, 5.0V, 3.3V, 3.0V, 2.7V, 2.5V**
- **Small Packages:**
  - SOT23-6
  - TSOT23-6 (REG71055 and REG71050 Only)
- **Evaluation Modules Available: REG710EVM-33, REG710EVM-5**

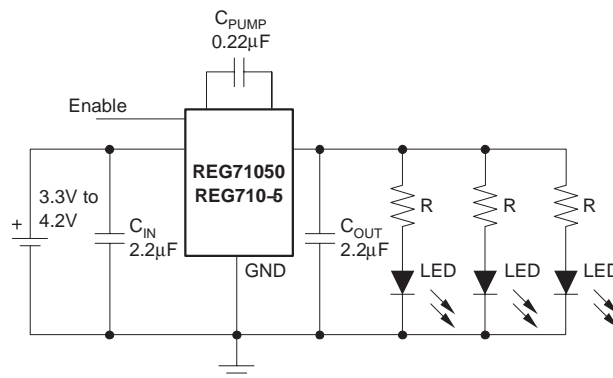
### DESCRIPTION

The REG710 is a switched capacitor voltage converter, that produces a regulated, low-ripple output voltage from an unregulated input voltage. A wide-input supply voltage of 1.8V to 5.5V makes the REG710 ideal for a variety of battery sources, such as single cell Li-Ion, or two and three cell nickel- or alkaline-based chemistries.

The input voltage may vary above and below the output voltage and the output will remain in regulation. It works equally well for step-up or step-down applications without the need for an inductor, providing low EMI DC/DC conversion. The high switching frequency allows the use of small surface-mount capacitors, saving board space and reducing cost. The REG710 is thermally protected and current limited, protecting the load and the regulator during fault conditions. Typical ground pin current (quiescent current) is 65µA with no load, and less than 1µA in shutdown mode. The 5.5V version of the REG710 is available in a thin TSOT23-6 package. All other versions are available in a small SOT23-6 package.

### APPLICATIONS

- **Smart Card Readers**
- **SIM Card Supplies**
- **Cellular Phones**
- **Portable Communication Devices**
- **Personal Digital Assistants**
- **Notebook and Palm-Top Computers**
- **Modems**
- **Electronic Games**
- **Handheld Meters**
- **PCMCIA Cards**
- **Card Buses**
- **White LED Drivers**
- **LCD Displays**
- **Battery Backup Supplies**



REG710 Used in White LED Backlight Application



Please be aware that an important notice concerning availability, standard warranty, and use in critical applications of Texas Instruments semiconductor products and disclaimers thereto appears at the end of this data sheet.

**ABSOLUTE MAXIMUM RATINGS(1)**

Supply Voltage . . . . .	-0.3V to +6.0V
Enable Input . . . . .	-0.3V to $V_{IN}$
Output Short-Circuit Duration . . . . .	Indefinite
Operating Temperature Range . . . . .	-55°C to +125°C
Storage Temperature Range . . . . .	-65°C to +150°C
Junction Temperature . . . . .	-55°C to +150°C
Lead Temperature (soldering, 3s) . . . . .	+240°C

NOTE: (1) Stresses above these ratings may cause permanent damage. Exposure to absolute maximum conditions for extended periods may degrade device reliability.



This integrated circuit can be damaged by ESD. Texas Instruments recommends that all integrated circuits be handled with appropriate precautions. Failure to observe proper handling and installation procedures can cause damage.

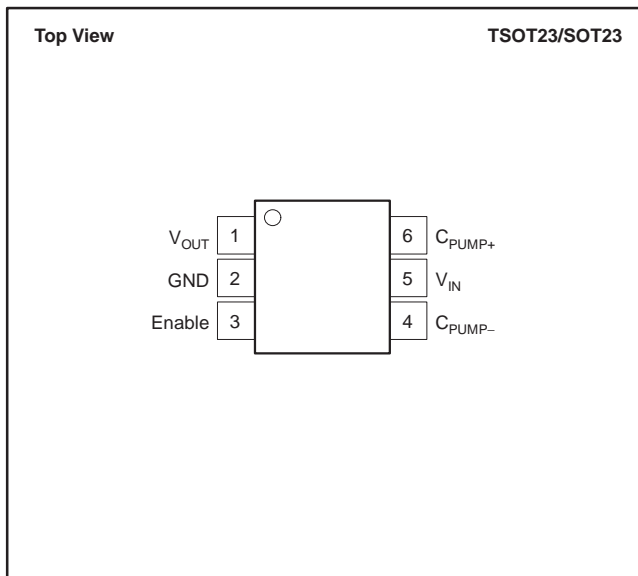
ESD damage can range from subtle performance degradation to complete device failure. Precision integrated circuits may be more susceptible to damage because very small parametric changes could cause the device not to meet its published specifications.

**PACKAGE ORDERING INFORMATION**

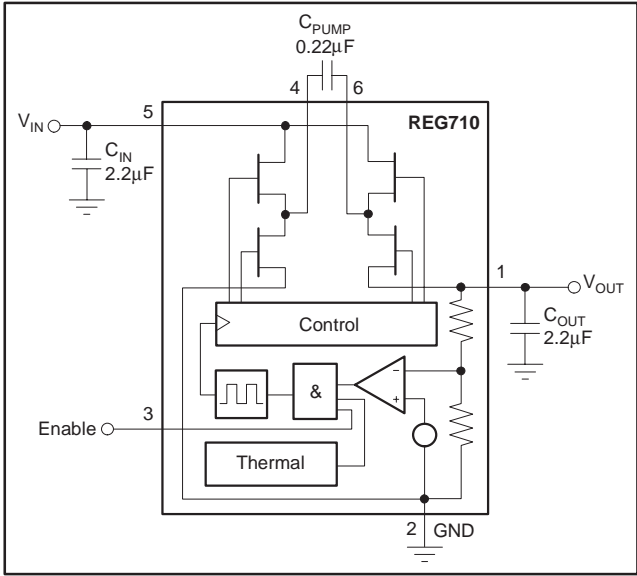
PRODUCT	OUTPUT VOLTAGE	PACKAGE-LEAD	PACKAGE DESIGNATOR(1)	SPECIFIED TEMPERATURE RANGE	PACKAGE MARKING(2)	ORDERING NUMBER	TRANSPORT MEDIA, QUANTITY
<b>5.5V Output</b> REG71055DDC	5.5V	TSOT23-6	DDC	-40°C to +85°C	R10H	REG71055DDCT	Tape and Reel, 250
						REG71055DDCR	Tape and Reel, 3000
<b>5V Output</b> REG710NA-5	5.0V	SOT23-6	DBV	-40°C to +85°C	R10B	REG710NA-5/250	Tape and Reel, 250
						REG710NA-5/3K	Tape and Reel, 3000
<b>5V Output</b> REG71050DDC	5.0V	TSOT23-6	DDC	-40°C to +85°C	GAAI	REG71050DDCT	Tape and Reel, 250
						REG71050DDCR	Tape and Reel, 3000
<b>3.3V Output</b> REG710NA-3.3	3.3V	SOT23-6	DBV	-40°C to +85°C	R10C	REG710NA-3.3/250	Tape and Reel, 250
						REG710NA-3.3/3K	Tape and Reel, 3000
<b>3V Output</b> REG710NA-3	3.0V	SOT23-6	DBV	-40°C to +85°C	R10D	REG710NA-3/250	Tape and Reel, 250
						REG710NA-3/3K	Tape and Reel, 3000
<b>2.7V Output</b> REG710NA-2.7	2.7V	SOT23-6	DBV	-40°C to +85°C	R10F	REG710NA-2.7/250	Tape and Reel, 250
						REG710NA-2.7/3K	Tape and Reel, 3000
<b>2.5V Output</b> REG710NA-2.5	2.5V	SOT23-6	DBV	-40°C to +85°C	R10G	REG710NA-2.5/250	Tape and Reel, 250
						REG710NA-2.5/3K	Tape and Reel, 3000

NOTES: (1) For the most current specifications and product information, refer to our web site at www.ti.com. (2) Voltage will be marked on reel.

**PIN CONFIGURATION**



**SIMPLIFIED BLOCK DIAGRAM**



**ELECTRICAL CHARACTERISTICS**
**Boldface limits apply over the specified temperature range,  $T_A = -40^{\circ}\text{C}$  to  $+85^{\circ}\text{C}$** 

 At  $T_A = +25^{\circ}\text{C}$ ,  $V_{IN} = V_{OUT}/2 + 0.75\text{V}$ ,  $I_{OUT} = 10\text{mA}$ ,  $C_{IN} = C_{OUT} = 2.2\mu\text{F}$ ,  $C_{PUMP} = 0.22\mu\text{F}$ ,  $V_{ENABLE} = 1.3\text{V}$ , unless otherwise noted.

PARAMETER	CONDITIONS	REG710NA			UNITS
		MIN	TYP	MAX	
<b>INPUT VOLTAGE</b>					
Tested Startup					
REG71055	See conditions under Output Voltage with a resistive load not lower than typical $V_{OUT}/I_{OUT}$ .	<b>3.0</b>		<b>5.5</b>	V
REG710-5		<b>2.7</b>		<b>5.5</b>	V
All Other Models		<b>1.8</b>		<b>5.5</b>	V
<b>OUTPUT VOLTAGE</b>					
REG71055	$I_{OUT} \leq 10\text{mA}$ , $3.0\text{V} \leq V_{IN} \leq 5.5\text{V}$	<b>5.2</b>	5.5	<b>5.8</b>	V
	$I_{OUT} \leq 30\text{mA}$ , $3.25\text{V} \leq V_{IN} \leq 5.5\text{V}$	<b>5.2</b>	5.5	<b>5.8</b>	V
REG710-5, REG71050	$I_{OUT} \leq 10\text{mA}$ , $2.7\text{V} \leq V_{IN} \leq 5.5\text{V}$	<b>4.7</b>	5.0	<b>5.3</b>	V
	$I_{OUT} \leq 30\text{mA}$ , $3.0\text{V} \leq V_{IN} \leq 5.5\text{V}$	<b>4.7</b>	5.0	<b>5.3</b>	V
	$I_{OUT} \leq 60\text{mA}$ , $3.3\text{V} \leq V_{IN} \leq 4.2\text{V}$	<b>4.6</b>	5.0	<b>5.4</b>	V
REG710-3.3	$I_{OUT} \leq 10\text{mA}$ , $1.8\text{V} \leq V_{IN} \leq 5.5\text{V}$	<b>3.10</b>	3.3	<b>3.50</b>	V
	$I_{OUT} \leq 30\text{mA}$ , $2.2\text{V} \leq V_{IN} \leq 5.5\text{V}$	<b>3.10</b>	3.3	<b>3.50</b>	V
REG710-3	$I_{OUT} \leq 10\text{mA}$ , $1.8\text{V} \leq V_{IN} \leq 5.5\text{V}$	<b>2.82</b>	3.0	<b>3.18</b>	V
	$I_{OUT} \leq 30\text{mA}$ , $2.2\text{V} \leq V_{IN} \leq 5.5\text{V}$	<b>2.82</b>	3.0	<b>3.18</b>	V
REG710-2.7	$I_{OUT} \leq 10\text{mA}$ , $1.8\text{V} \leq V_{IN} \leq 5.5\text{V}$	<b>2.54</b>	2.7	<b>2.86</b>	V
	$I_{OUT} \leq 30\text{mA}$ , $2.0\text{V} \leq V_{IN} \leq 5.5\text{V}$	<b>2.54</b>	2.7	<b>2.86</b>	V
REG710-2.5	$I_{OUT} \leq 10\text{mA}$ , $1.8\text{V} \leq V_{IN} \leq 5.5\text{V}$	<b>2.35</b>	2.5	<b>2.65</b>	V
	$I_{OUT} \leq 30\text{mA}$ , $2.0\text{V} \leq V_{IN} \leq 5.5\text{V}$	<b>2.35</b>	2.5	<b>2.65</b>	V
<b>OUTPUT CURRENT</b>					
Nominal		30			mA
Short Circuit <sup>(1)</sup>			100		mA
<b>OSCILLATOR FREQUENCY<sup>(2)</sup></b>			1.0		MHz
<b>EFFICIENCY<sup>(3)</sup></b>	$I_{OUT} = 10\text{mA}$ , $V_{IN} = 1.8\text{V}$ , REG710-3.3		90		%
<b>RIPPLE VOLTAGE<sup>(4)</sup></b>	$I_{OUT} = 30\text{mA}$		35		mVp-p
<b>ENABLE CONTROL</b>	$V_{IN} = 1.8\text{V}$ to $5.5\text{V}$				
Logic High Input Voltage		<b>1.3</b>		<b><math>V_{IN}</math></b>	V
Logic Low Input Voltage		<b>-0.2</b>		<b>0.4</b>	V
Logic High Input Current				100	nA
Logic Low Input Current				100	nA
<b>THERMAL SHUTDOWN</b>					
Shutdown Temperature			160		$^{\circ}\text{C}$
Shutdown Recovery			140		$^{\circ}\text{C}$
<b>SUPPLY CURRENT</b>					
(Quiescent Current)	$I_{OUT} = 0\text{mA}$		65	100	$\mu\text{A}$
In Shutdown Mode	$V_{IN} = 1.8\text{V}$ to $5.5\text{V}$ , Enable = 0V		0.01	1	$\mu\text{A}$
<b>TEMPERATURE RANGE</b>					
Specification Ambient Temperature $T_A$		-40		+85	$^{\circ}\text{C}$
Operating Ambient Temperature $T_A$		-55		+125	$^{\circ}\text{C}$
Storage Ambient Temperature $T_A$		-65		+150	$^{\circ}\text{C}$
Thermal Resistance, $\theta_{JA}$	SOT23-6		200		$^{\circ}\text{C}/\text{W}$
	TSOT23-6		220		$^{\circ}\text{C}/\text{W}$

(1) The supply current is twice the output short-circuit current.

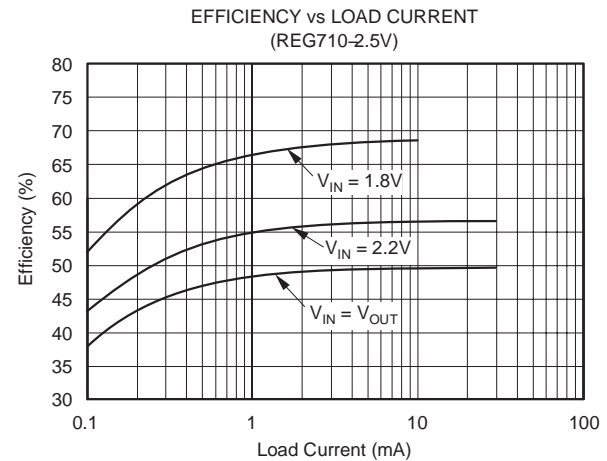
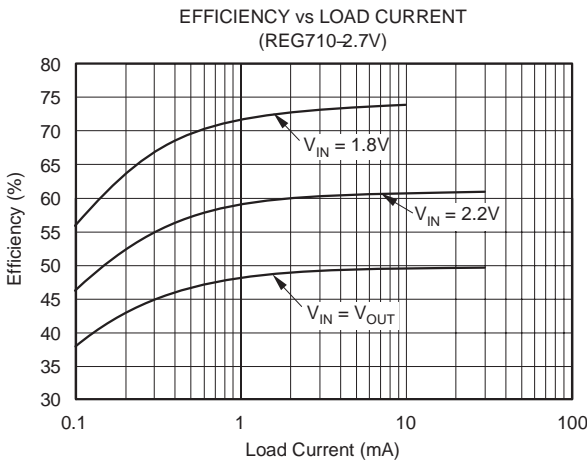
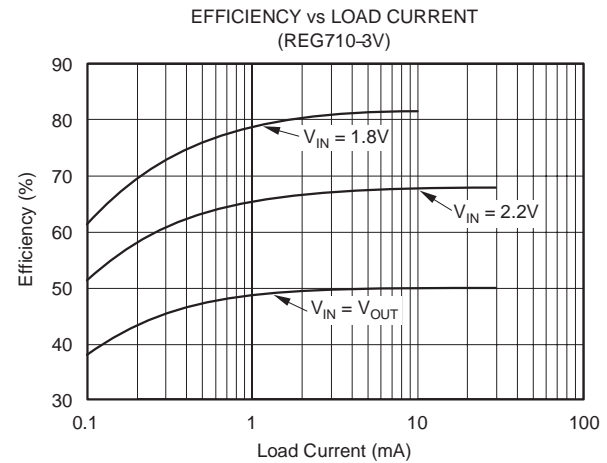
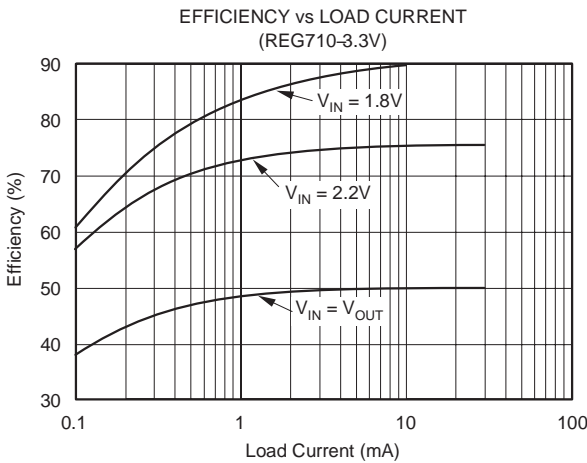
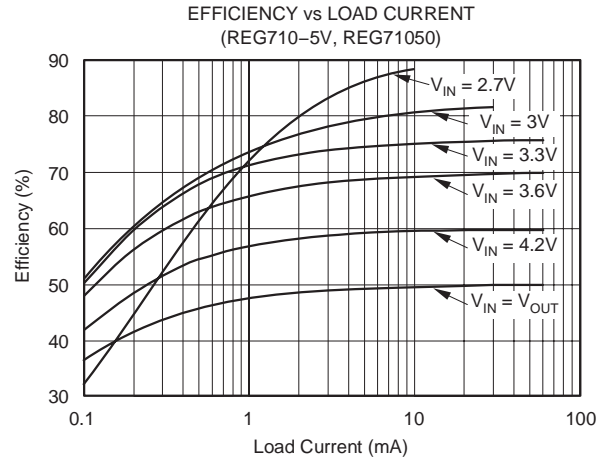
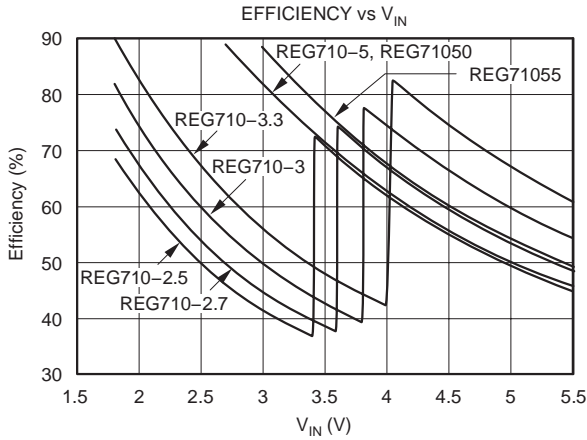
(2) The converter regulates by enabling and disabling periods of switching cycles. The switching frequency is the oscillator frequency during an active period.

 (3) See efficiency curves for other  $V_{IN}/V_{OUT}$  configurations.

 (4) Effective Series Resistance (ESR) of capacitors is  $< 0.1\Omega$ .

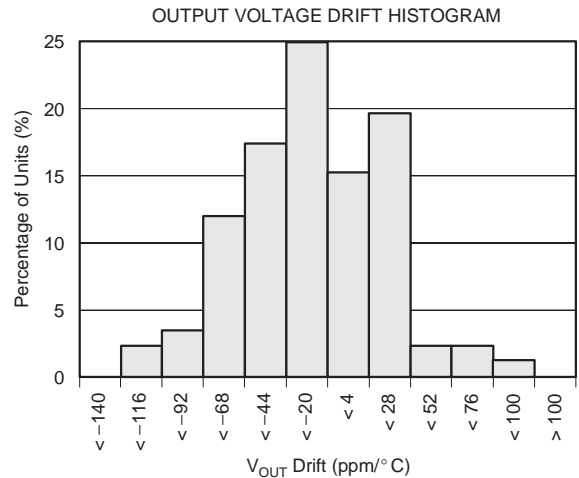
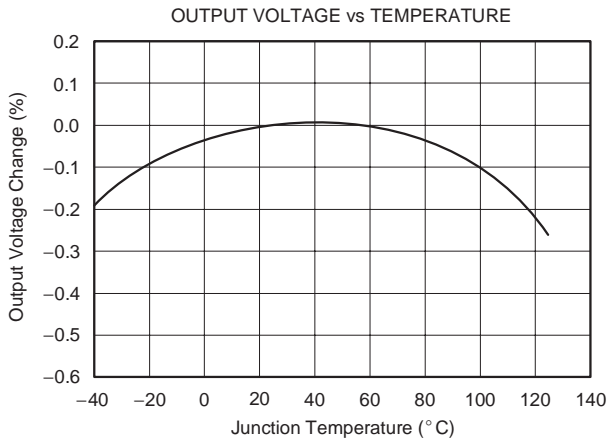
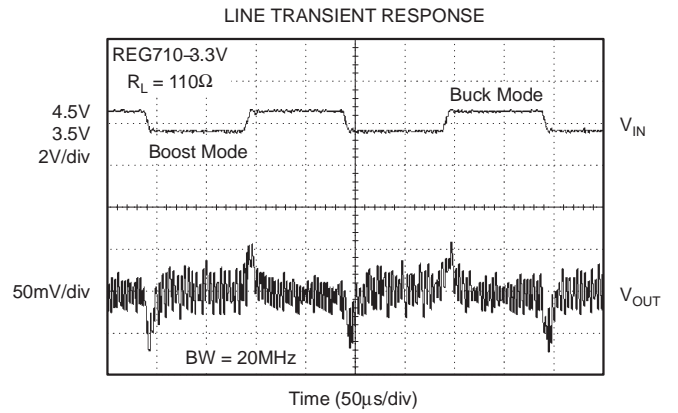
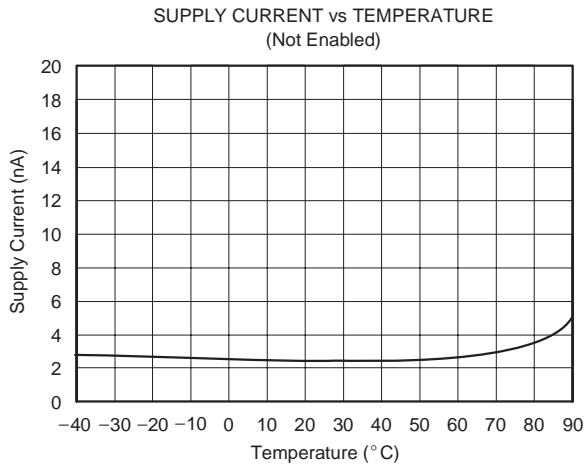
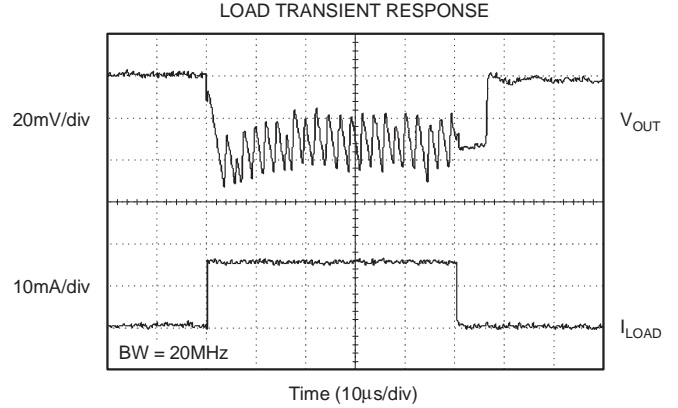
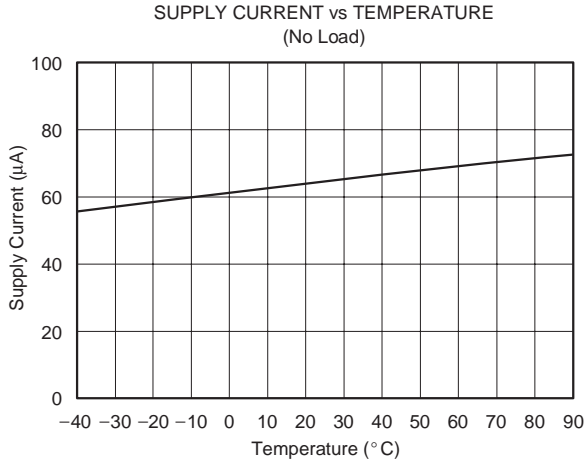
TYPICAL CHARACTERISTICS

At  $T_A = +25^\circ\text{C}$ ,  $V_{IN} = V_{OUT}/2 + 0.75\text{V}$ ,  $I_{OUT} = 5\text{mA}$ ,  $C_{IN} = C_{OUT} = 2.2\mu\text{F}$ ,  $C_{PUMP} = 0.22\mu\text{F}$ ,  $V_{ENABLE} = 1.3\text{V}$ , unless otherwise noted.



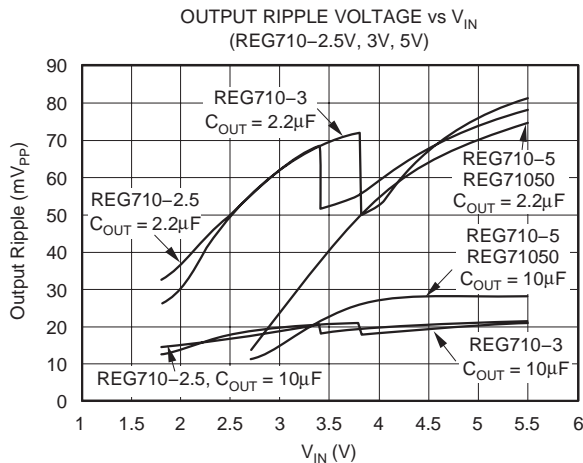
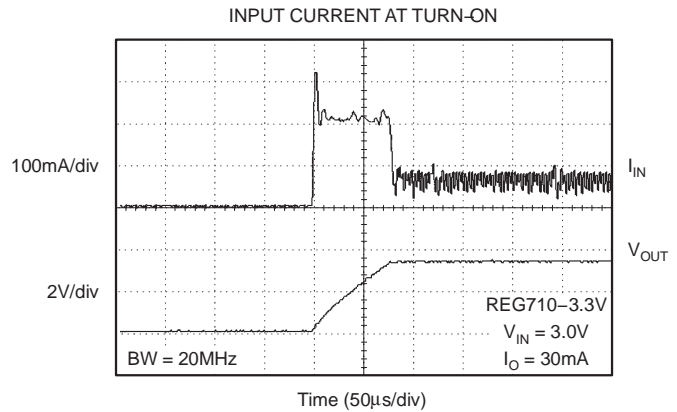
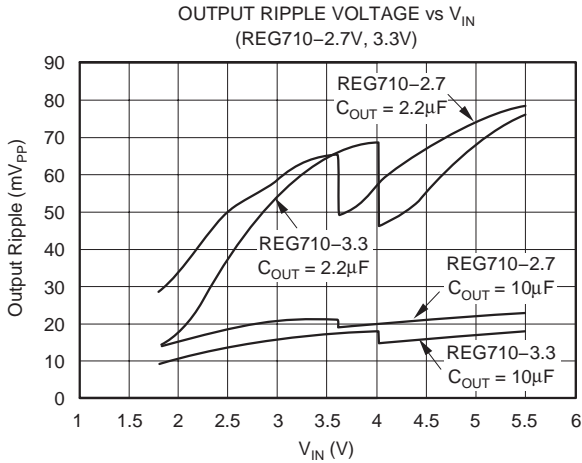
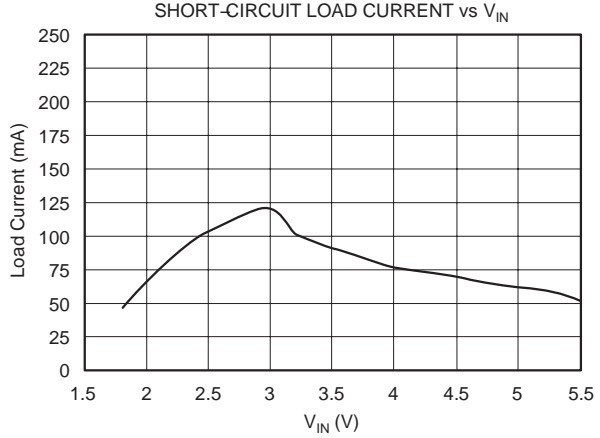
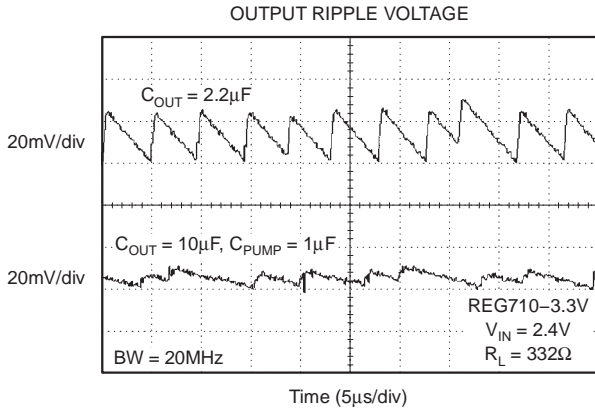
**TYPICAL CHARACTERISTICS (Cont.)**

At  $T_A = +25^\circ\text{C}$ ,  $V_{IN} = V_{OUT}/2 + 0.75\text{V}$ ,  $I_{OUT} = 5\text{mA}$ ,  $C_{IN} = C_{OUT} = 2.2\mu\text{F}$ ,  $C_{PUMP} = 0.22\mu\text{F}$ ,  $V_{ENABLE} = 1.3\text{V}$ , unless otherwise noted.



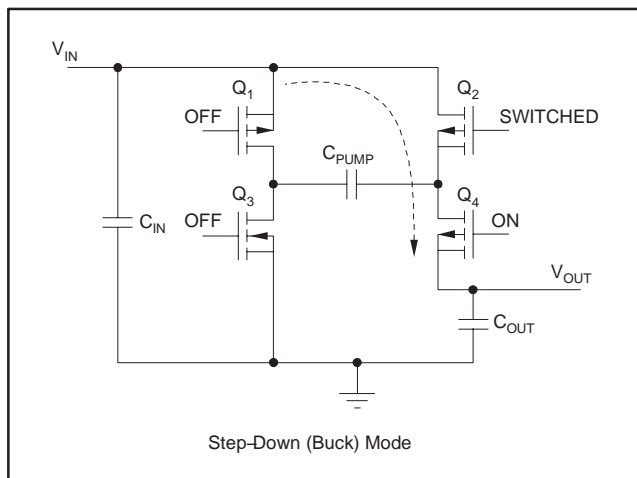
TYPICAL CHARACTERISTICS (Cont.)

At  $T_A = +25^\circ\text{C}$ ,  $V_{IN} = V_{OUT}/2 + 0.75\text{V}$ ,  $I_{OUT} = 5\text{mA}$ ,  $C_{IN} = C_{OUT} = 2.2\mu\text{F}$ ,  $C_{PUMP} = 0.22\mu\text{F}$ ,  $V_{ENABLE} = 1.3\text{V}$ , unless otherwise noted.



## THEORY OF OPERATION

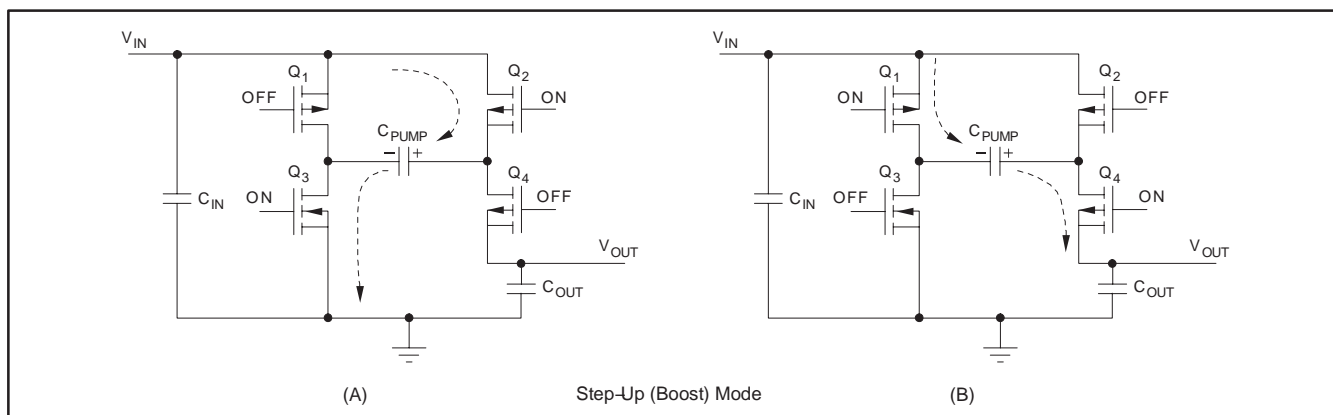
The REG710 regulated charge pump provides a regulated output voltage for input voltages ranging from less than the output to greater than the output. This is accomplished by automatic mode switching within the device. When the input voltage is greater than the required output, the unit functions as a variable frequency switch-mode regulator. This operation is shown in Figure 1. Transistors  $Q_1$  and  $Q_3$  are held off,  $Q_4$  is on, and  $Q_2$  is switched as needed to maintain a regulated output voltage.



**Figure 1. Simplified Schematic of the REG710 Operating in the Step-Down Mode**

When the input voltage is less than the required output voltage, the device switches to a step-up or boost mode of operation, as shown in Figure 2.

A conversion clock of 50% duty cycle is generated. During the first half cycle the FET switches are configured as shown in Figure 2A, and  $C_{PUMP}$  charges to  $V_{IN}$ .



**Figure 2. Simplified Schematic of the REG710 Operating in the Step-Up or Boost Mode**

During the second half cycle the FET switches are configured as shown in Figure 2B, and the voltage on  $C_{PUMP}$  is added to  $V_{IN}$ . The output voltage is regulated by skipping clock cycles as necessary.

## PEAK CURRENT REDUCTION

In normal operation, the charging of the pump and output capacitors usually leads to relatively high peak input currents which can be much higher than that of the average load current. The regulator incorporates circuitry to limit the input peak current, lowering the total EMI production of the device and lowering output voltage ripple and input current ripple. Input capacitor ( $C_{IN}$ ) supplies most of the charge required by input current peaks.

## PROTECTION

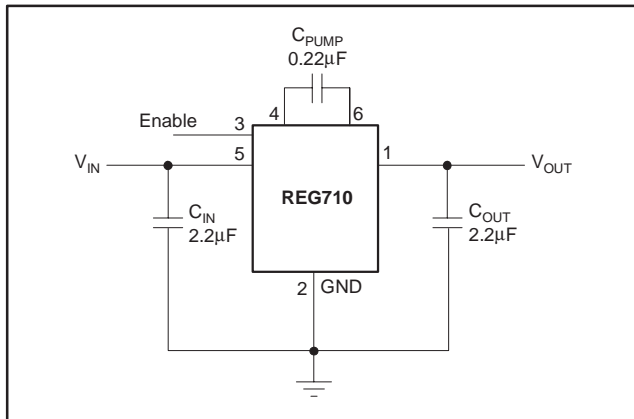
The regulator has thermal shutdown circuitry that protects it from damage caused by overload conditions. The thermal protection circuitry disables the output when the junction temperature reached approximately  $160^{\circ}\text{C}$ , allowing the device to cool. When the junction temperature cools to approximately  $140^{\circ}\text{C}$ , the output circuitry is automatically reenabled. Continuously running the regulator into thermal shutdown can degrade reliability. The regulator also provides current limit to protect itself and the load.

## SHUTDOWN MODE

A control pin on the regulator can be used to place the device into an energy-saving shutdown mode. In this mode, the output is disconnected from the input as long as  $V_{IN}$  is greater than or equal to minimum  $V_{IN}$  and the input quiescent current is reduced to  $1\mu\text{A}$  maximum.

**CAPACITOR SELECTION**

For minimum output voltage ripple, the output capacitor  $C_{OUT}$  should be a ceramic, surface-mount type. Tantalum capacitors generally have a higher Effective Series Resistance (ESR) and may contribute to higher output voltage ripple. Leaded capacitors also increase ripple due to the higher inductance of the package itself. To achieve best operation with low input voltage and high load current, the input and pump capacitors ( $C_{IN}$  and  $C_{PUMP}$ , respectively) should also be surface-mount ceramic types. In all cases, X7R or X5R dielectric are recommended. See the typical operating circuit shown in Figure 3 for component values.



**Figure 3. Typical Operating Circuit**

With light loads or higher input voltage, a smaller 0.1µF pump capacitor ( $C_{PUMP}$ ) and smaller 1µF input and output capacitors ( $C_{IN}$  and  $C_{OUT}$ , respectively) can be used. To minimize output voltage ripple, increase the output capacitor,  $C_{OUT}$ , to 10µF or larger.

The capacitors listed in Table 1 can be used with the REG710. This is only a representative list of those parts that are compatible.

**EFFICIENCY**

The efficiency of the charge pump regulator varies with the output voltage version, the applied input voltage, the load current, and the internal operation mode of the device.

The approximate efficiency is given by:

$$\text{Efficiency (\%)} = \frac{V_{OUT}}{2 \times V_{IN}} \times 100$$

(step-up operating mode)

or

$$\frac{V_{OUT}}{V_{IN}} \times 100$$

(step-down operating mode)

Table 2 lists the approximate values of the input voltage at which the device changes internal operating mode.

See efficiency curves in the Typical Characteristics section for various loads and input voltages.

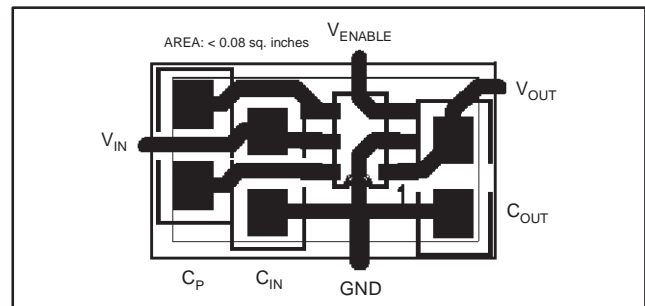
**Table 2. Operating Mode Change Versus  $V_{IN}$**

PRODUCT	OPERATING MODE CHANGES AT $V_{IN}$ OF
REG710-2.5	> 3.2V
REG710-2.7	> 3.4V
REG710-3	> 3.7V
REG710-3.3	> 4.0V
REG710-5, REG71050, REG71055	Step-Up Only

**LAYOUT**

Large transient currents flow in the  $V_{IN}$ ,  $V_{OUT}$ , and GND traces. To minimize both input and output ripple, keep the capacitors as close as possible to the regulator using short, direct circuit traces.

A suggested PCB routing is shown in Figure 4. The trace lengths from the input and output capacitors have been kept as short as possible.



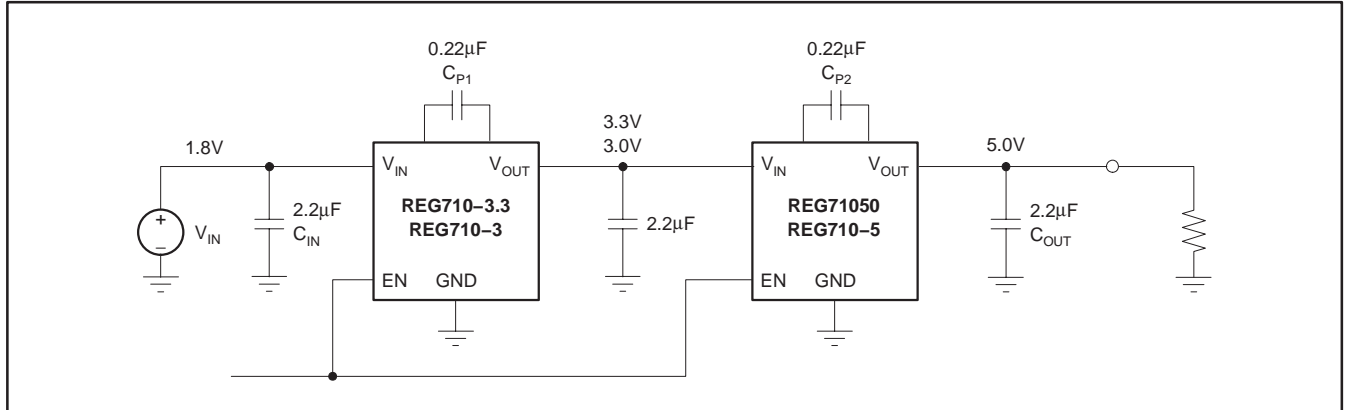
**Figure 4. Suggested PCB Design for Minimum Ripple**

**Table 1. Suggested Capacitors**

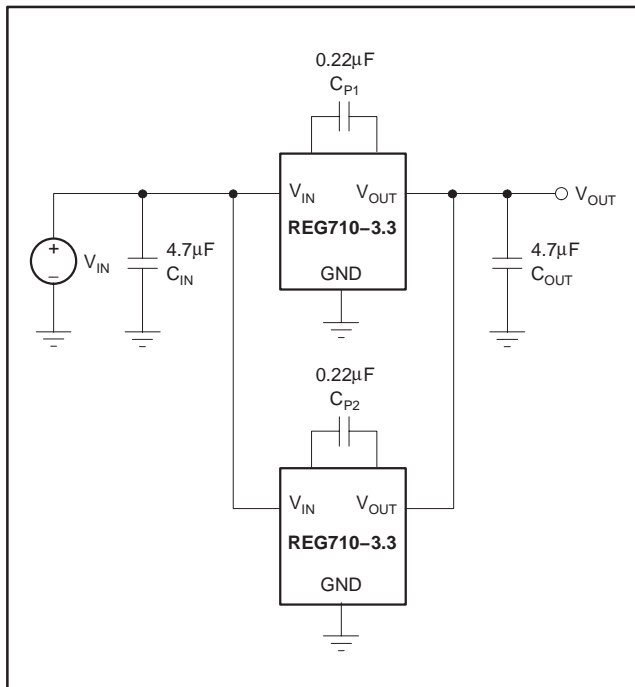
MANUFACTURER	PART NUMBER	VALUE	TOLERANCE	DIELECTRIC MATERIAL	PACKAGE SIZE	RATED WORKING VOLTAGE
Kemet	C1206C255K8RAC	2.2µF	±10%	X7R	1206	10V
	C1206C224K8RAC	0.22µF	±10%	X7R	1206	10V
Panasonic	ECJ-2YBOJ225K	2.2µF	±10%	X5R	805	6.3V
	ECJ-2VBIC224K	0.22µF	±10%	X7R	805	16V
	ECJ-2VBIC104	0.1µF	±10%	X7R	805	16V
Taiyo Yuden	EMK316BJ225KL	2.2µF	±10%	X7R	1206	16V
	TKM316BJ224KF	0.22µF	±10%	X7R	1206	25V



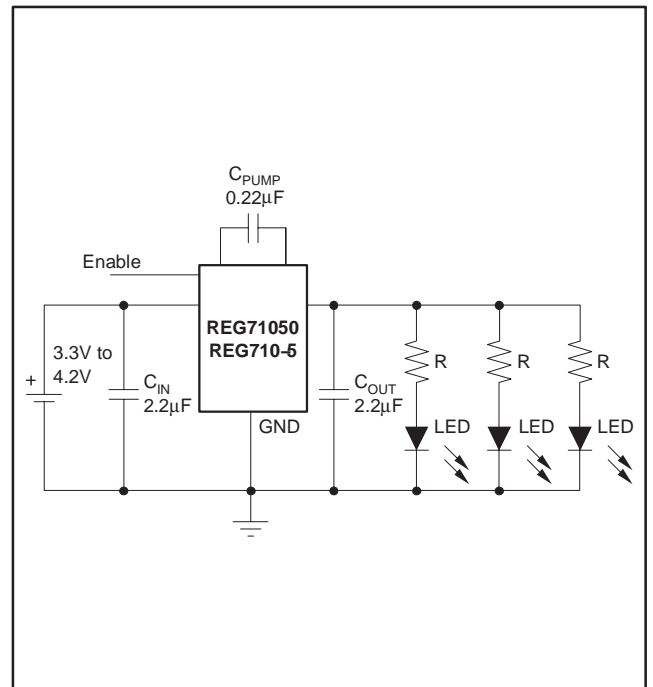
**APPLICATION CIRCUITS**



**Figure 5. REG710 Circuit for Step-Up Operation from 1.8V to 5.0V with 10mA Output Current**



**Figure 6. REG710 Circuit for Doubling the Output Current**



**Figure 7. REG710 Circuit for Driving LEDs**

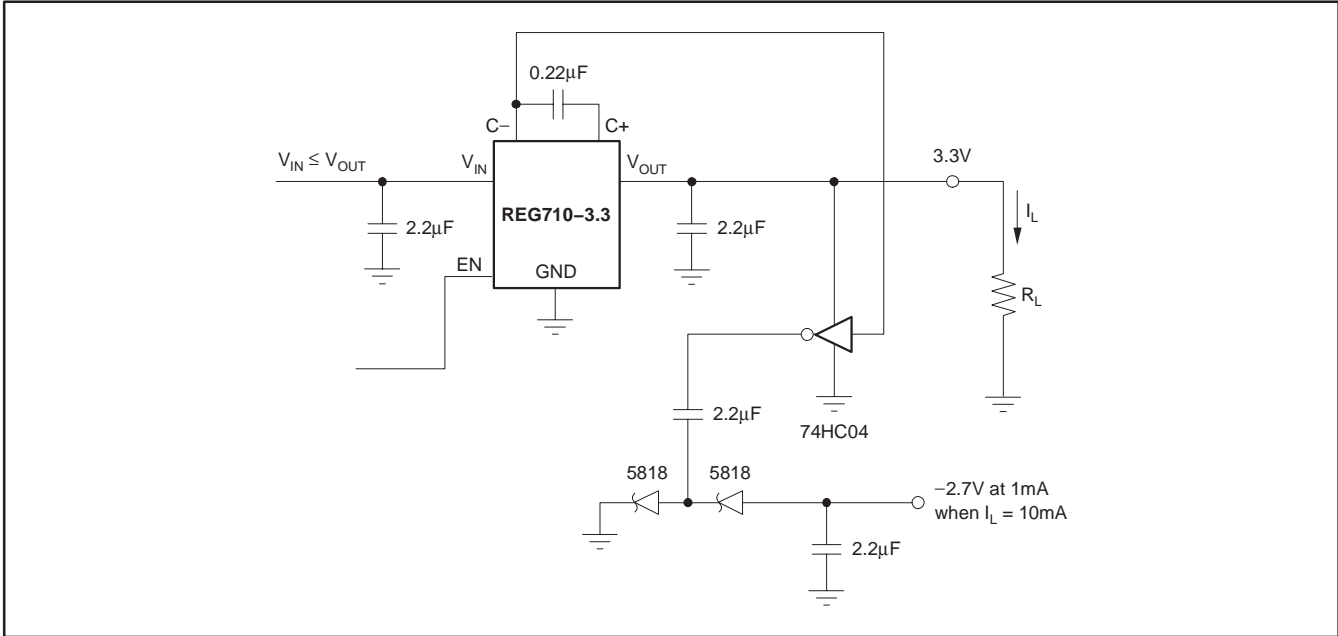


Figure 8. REG710 with Negative Bias Supply

**PACKAGING INFORMATION**

Orderable Device	Status <sup>(1)</sup>	Package Type	Package Drawing	Pins	Package Qty	Eco Plan <sup>(2)</sup>	Lead/Ball Finish	MSL Peak Temp <sup>(3)</sup>
REG71050DDCR	ACTIVE	TO/SOT	DDC	6	3000	Green (RoHS & no Sb/Br)	CU NIPDAU	Level-1-260C-UNLIM
REG71050DDCRG4	ACTIVE	TO/SOT	DDC	6	3000	Green (RoHS & no Sb/Br)	CU NIPDAU	Level-1-260C-UNLIM
REG71050DDCT	ACTIVE	TO/SOT	DDC	6	250	Green (RoHS & no Sb/Br)	CU NIPDAU	Level-1-260C-UNLIM
REG71050DDCTG4	ACTIVE	TO/SOT	DDC	6	250	Green (RoHS & no Sb/Br)	CU NIPDAU	Level-1-260C-UNLIM
REG71055DDCR	ACTIVE	TO/SOT	DDC	6	3000	Green (RoHS & no Sb/Br)	CU NIPDAU	Level-1-260C-UNLIM
REG71055DDCRG4	ACTIVE	TO/SOT	DDC	6	3000	Green (RoHS & no Sb/Br)	CU NIPDAU	Level-1-260C-UNLIM
REG71055DDCT	ACTIVE	TO/SOT	DDC	6	250	Green (RoHS & no Sb/Br)	CU NIPDAU	Level-1-260C-UNLIM
REG71055DDCTG4	ACTIVE	TO/SOT	DDC	6	250	Green (RoHS & no Sb/Br)	CU NIPDAU	Level-1-260C-UNLIM
REG710NA-2.5/250	ACTIVE	SOT-23	DBV	6	250	Green (RoHS & no Sb/Br)	CU NIPDAU	Level-1-260C-UNLIM
REG710NA-2.5/250G4	ACTIVE	SOT-23	DBV	6	250	Green (RoHS & no Sb/Br)	CU NIPDAU	Level-1-260C-UNLIM
REG710NA-2.5/3K	ACTIVE	SOT-23	DBV	6	3000	Green (RoHS & no Sb/Br)	CU NIPDAU	Level-1-260C-UNLIM
REG710NA-2.5/3KG4	ACTIVE	SOT-23	DBV	6	3000	Green (RoHS & no Sb/Br)	CU NIPDAU	Level-1-260C-UNLIM
REG710NA-2.7/250	ACTIVE	SOT-23	DBV	6	250	Green (RoHS & no Sb/Br)	CU NIPDAU	Level-1-260C-UNLIM
REG710NA-2.7/250G4	ACTIVE	SOT-23	DBV	6	250	Green (RoHS & no Sb/Br)	CU NIPDAU	Level-1-260C-UNLIM
REG710NA-2.7/3K	ACTIVE	SOT-23	DBV	6	3000	Green (RoHS & no Sb/Br)	CU NIPDAU	Level-1-260C-UNLIM
REG710NA-2.7/3KG4	ACTIVE	SOT-23	DBV	6	3000	Green (RoHS & no Sb/Br)	CU NIPDAU	Level-1-260C-UNLIM
REG710NA-3.3/250	ACTIVE	SOT-23	DBV	6	250	Green (RoHS & no Sb/Br)	CU NIPDAU	Level-1-260C-UNLIM
REG710NA-3.3/250G4	ACTIVE	SOT-23	DBV	6	250	Green (RoHS & no Sb/Br)	CU NIPDAU	Level-1-260C-UNLIM
REG710NA-3.3/3K	ACTIVE	SOT-23	DBV	6	3000	Green (RoHS & no Sb/Br)	CU NIPDAU	Level-1-260C-UNLIM
REG710NA-3.3/3KG4	ACTIVE	SOT-23	DBV	6	3000	Green (RoHS & no Sb/Br)	CU NIPDAU	Level-1-260C-UNLIM
REG710NA-3/250	ACTIVE	SOT-23	DBV	6	250	Green (RoHS & no Sb/Br)	CU NIPDAU	Level-1-260C-UNLIM
REG710NA-3/250G4	ACTIVE	SOT-23	DBV	6	250	Green (RoHS & no Sb/Br)	CU NIPDAU	Level-1-260C-UNLIM
REG710NA-3/3K	ACTIVE	SOT-23	DBV	6	3000	Green (RoHS & no Sb/Br)	CU NIPDAU	Level-1-260C-UNLIM
REG710NA-3/3KG4	ACTIVE	SOT-23	DBV	6	3000	Green (RoHS & no Sb/Br)	CU NIPDAU	Level-1-260C-UNLIM
REG710NA-5/250	ACTIVE	SOT-23	DBV	6	250	Green (RoHS & no Sb/Br)	CU NIPDAU	Level-1-260C-UNLIM

Orderable Device	Status <sup>(1)</sup>	Package Type	Package Drawing	Pins	Package Qty	Eco Plan <sup>(2)</sup>	Lead/Ball Finish	MSL Peak Temp <sup>(3)</sup>
REG710NA-5/250G4	ACTIVE	SOT-23	DBV	6	250	Green (RoHS & no Sb/Br)	CU NIPDAU	Level-1-260C-UNLIM
REG710NA-5/3K	ACTIVE	SOT-23	DBV	6	3000	Green (RoHS & no Sb/Br)	CU NIPDAU	Level-1-260C-UNLIM
REG710NA-5/3KG4	ACTIVE	SOT-23	DBV	6	3000	Green (RoHS & no Sb/Br)	CU NIPDAU	Level-1-260C-UNLIM

<sup>(1)</sup> The marketing status values are defined as follows:

**ACTIVE:** Product device recommended for new designs.

**LIFEBUY:** TI has announced that the device will be discontinued, and a lifetime-buy period is in effect.

**NRND:** Not recommended for new designs. Device is in production to support existing customers, but TI does not recommend using this part in a new design.

**PREVIEW:** Device has been announced but is not in production. Samples may or may not be available.

**OBSOLETE:** TI has discontinued the production of the device.

<sup>(2)</sup> Eco Plan - The planned eco-friendly classification: Pb-Free (RoHS), Pb-Free (RoHS Exempt), or Green (RoHS & no Sb/Br) - please check <http://www.ti.com/productcontent> for the latest availability information and additional product content details.

**TBD:** The Pb-Free/Green conversion plan has not been defined.

**Pb-Free (RoHS):** TI's terms "Lead-Free" or "Pb-Free" mean semiconductor products that are compatible with the current RoHS requirements for all 6 substances, including the requirement that lead not exceed 0.1% by weight in homogeneous materials. Where designed to be soldered at high temperatures, TI Pb-Free products are suitable for use in specified lead-free processes.

**Pb-Free (RoHS Exempt):** This component has a RoHS exemption for either 1) lead-based flip-chip solder bumps used between the die and package, or 2) lead-based die adhesive used between the die and leadframe. The component is otherwise considered Pb-Free (RoHS compatible) as defined above.

**Green (RoHS & no Sb/Br):** TI defines "Green" to mean Pb-Free (RoHS compatible), and free of Bromine (Br) and Antimony (Sb) based flame retardants (Br or Sb do not exceed 0.1% by weight in homogeneous material)

<sup>(3)</sup> MSL, Peak Temp. -- The Moisture Sensitivity Level rating according to the JEDEC industry standard classifications, and peak solder temperature.

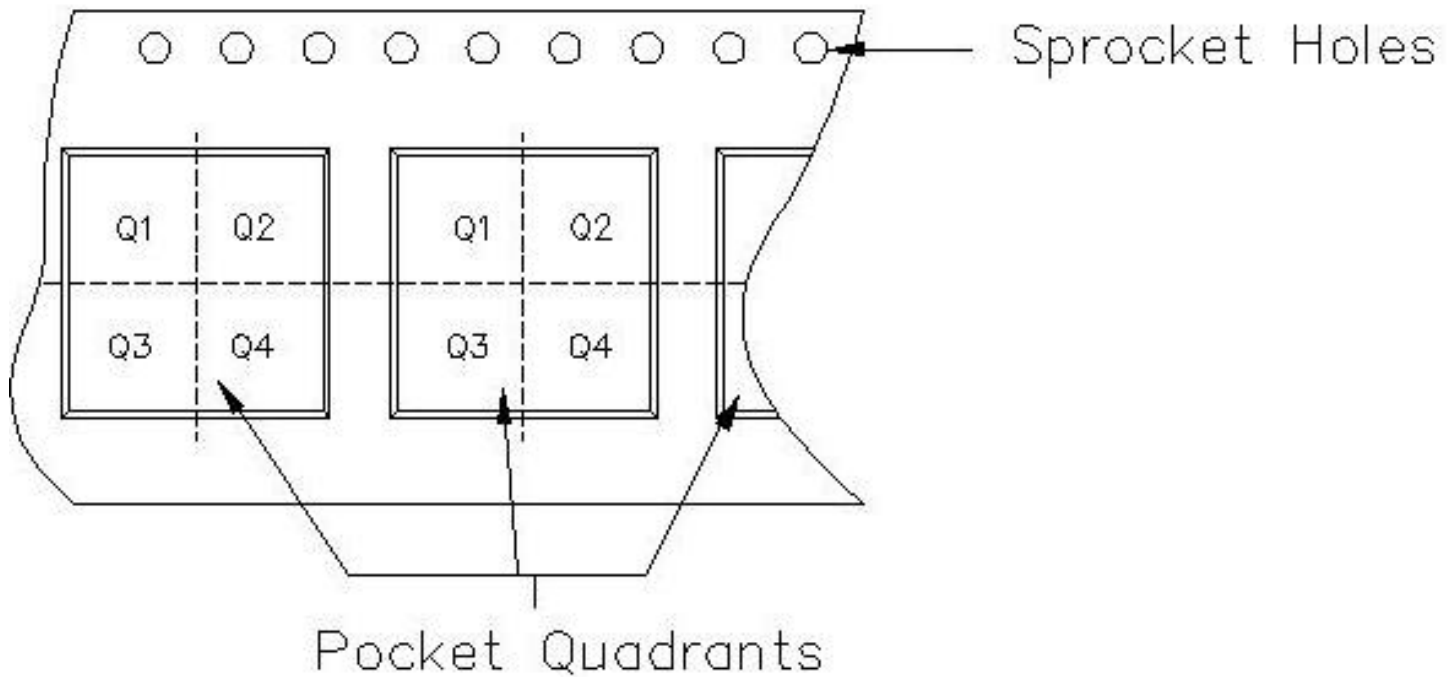
**Important Information and Disclaimer:** The information provided on this page represents TI's knowledge and belief as of the date that it is provided. TI bases its knowledge and belief on information provided by third parties, and makes no representation or warranty as to the accuracy of such information. Efforts are underway to better integrate information from third parties. TI has taken and continues to take reasonable steps to provide representative and accurate information but may not have conducted destructive testing or chemical analysis on incoming materials and chemicals. TI and TI suppliers consider certain information to be proprietary, and thus CAS numbers and other limited information may not be available for release.

In no event shall TI's liability arising out of such information exceed the total purchase price of the TI part(s) at issue in this document sold by TI to Customer on an annual basis.



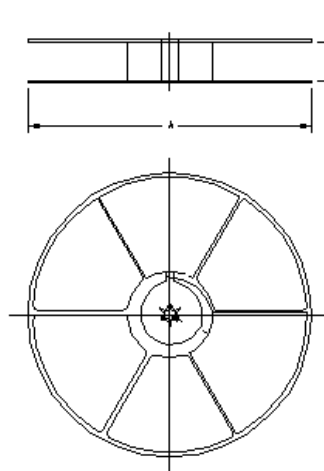
Carrier tape design is defined largely by the component length, width, and thickness.

$A_o$ = Dimension designed to accommodate the component width.
$B_o$ = Dimension designed to accommodate the component length.
$K_o$ = Dimension designed to accommodate the component thickness.
$W$ = Overall width of the carrier tape.
$P$ = Pitch between successive cavity centers.



**TAPE AND REEL INFORMATION**

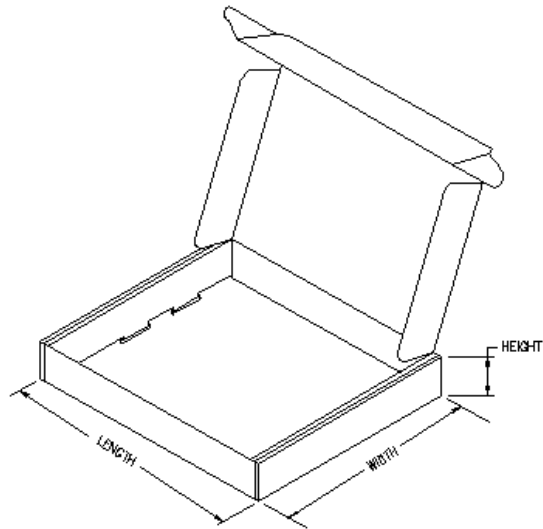
Device	Package	Pins	Site	Reel Diameter (mm)	Reel Width (mm)	A0 (mm)	B0 (mm)	K0 (mm)	P1 (mm)	W (mm)	Pin1 Quadrant
REG71050DDCR	DDC	6	NSE	177	8	3.2	3.2	1.4	4	8	NONE
REG71050DDCT	DDC	6	NSE	177	8	3.2	3.2	1.4	4	8	NONE
REG71055DDCR	DDC	6	NSE	177	8	3.2	3.2	1.4	4	8	NONE
REG71055DDCT	DDC	6	NSE	177	8	3.2	3.2	1.4	4	8	NONE
REG710NA-2.5/250	DBV	6	NSE	177	8	3.2	3.2	1.4	4	8	NONE
REG710NA-2.5/3K	DBV	6	NSE	177	8	3.2	3.2	1.4	4	8	NONE
REG710NA-2.7/250	DBV	6	NSE	177	8	3.2	3.2	1.4	4	8	NONE
REG710NA-2.7/3K	DBV	6	NSE	177	8	3.2	3.2	1.4	4	8	NONE
REG710NA-3.3/250	DBV	6	NSE	177	8	3.2	3.2	1.4	4	8	NONE
REG710NA-3.3/3K	DBV	6	NSE	177	8	3.2	3.2	1.4	4	8	NONE
REG710NA-3/250	DBV	6	NSE	177	8	3.2	3.2	1.4	4	8	NONE
REG710NA-3/3K	DBV	6	NSE	177	8	3.2	3.2	1.4	4	8	NONE
REG710NA-5/250	DBV	6	NSE	177	8	3.2	3.2	1.4	4	8	NONE
REG710NA-5/3K	DBV	6	NSE	177	8	3.2	3.2	1.4	4	8	NONE



**TAPE AND REEL BOX INFORMATION**

Device	Package	Pins	Site	Length (mm)	Width (mm)	Height (mm)
REG71050DDCR	DDC	6	NSE	195.0	200.0	45.0
REG71050DDCT	DDC	6	NSE	195.0	200.0	45.0
REG71055DDCR	DDC	6	NSE	195.0	200.0	45.0
REG71055DDCT	DDC	6	NSE	195.0	200.0	45.0
REG710NA-2.5/250	DBV	6	NSE	195.0	200.0	45.0
REG710NA-2.5/3K	DBV	6	NSE	195.0	200.0	45.0
REG710NA-2.7/250	DBV	6	NSE	195.0	200.0	45.0

Device	Package	Pins	Site	Length (mm)	Width (mm)	Height (mm)
REG710NA-2.7/3K	DBV	6	NSE	195.0	200.0	45.0
REG710NA-3.3/250	DBV	6	NSE	195.0	200.0	45.0
REG710NA-3.3/3K	DBV	6	NSE	195.0	200.0	45.0
REG710NA-3/250	DBV	6	NSE	195.0	200.0	45.0
REG710NA-3/3K	DBV	6	NSE	195.0	200.0	45.0
REG710NA-5/250	DBV	6	NSE	195.0	200.0	45.0
REG710NA-5/3K	DBV	6	NSE	195.0	200.0	45.0



DBV (R-PDSO-G6)

PLASTIC SMALL-OUTLINE PACKAGE

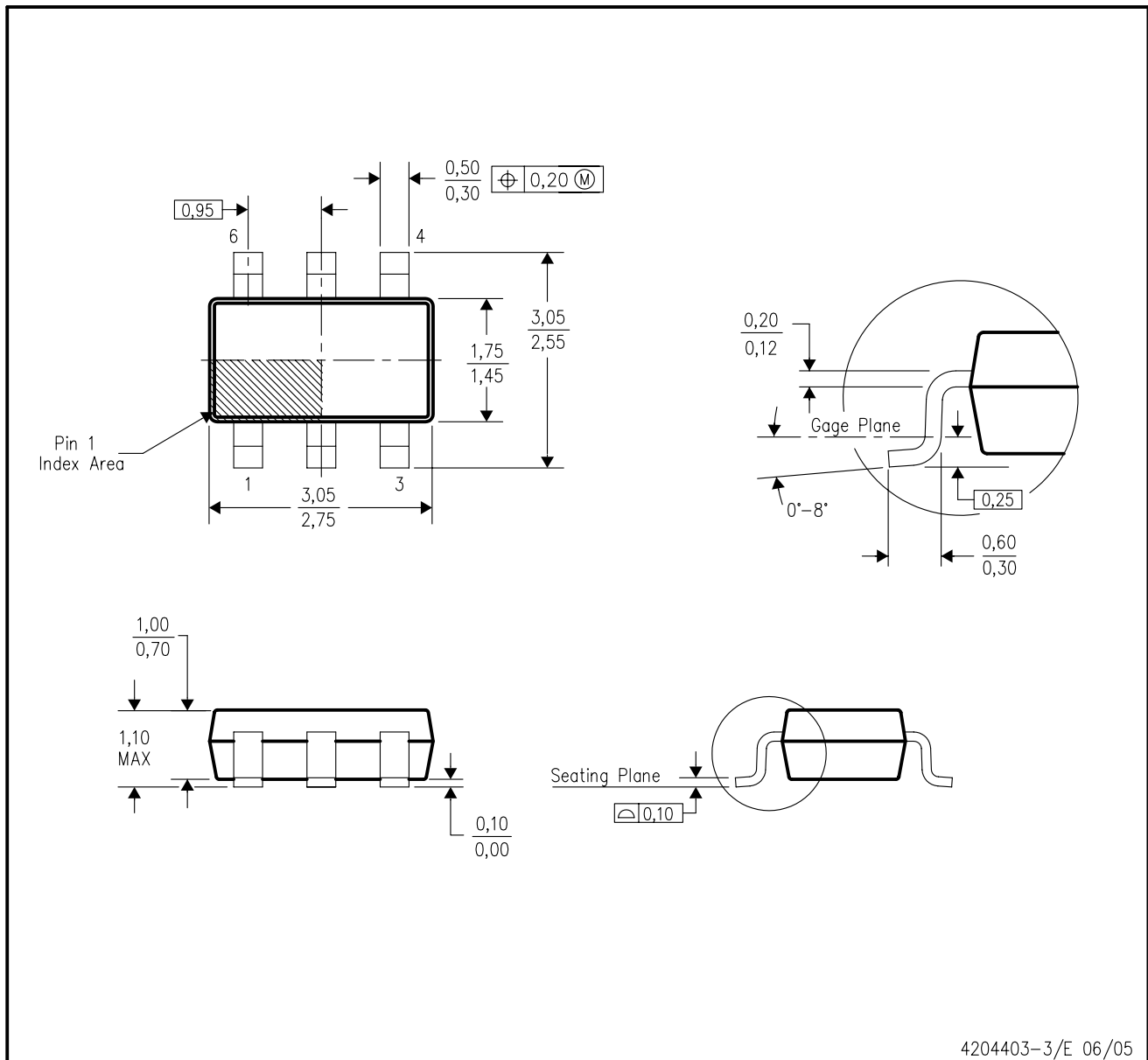


- NOTES:
- A. All linear dimensions are in millimeters.
  - B. This drawing is subject to change without notice.
  - C. Body dimensions do not include mold flash or protrusion. Mold flash and protrusion shall not exceed 0.15 per side.
  - D. Leads 1,2,3 may be wider than leads 4,5,6 for package orientation.
- $\triangle$  Falls within JEDEC MO-178 Variation AB, except minimum lead width.



DDC (R-PDSO-G6)

PLASTIC SMALL-OUTLINE



- NOTES:
- All linear dimensions are in millimeters.
  - This drawing is subject to change without notice.
  - Body dimensions do not include mold flash or protrusion.
  - Falls within JEDEC MO-193 variation AA (6 pin).

## IMPORTANT NOTICE

Texas Instruments Incorporated and its subsidiaries (TI) reserve the right to make corrections, modifications, enhancements, improvements, and other changes to its products and services at any time and to discontinue any product or service without notice. Customers should obtain the latest relevant information before placing orders and should verify that such information is current and complete. All products are sold subject to TI's terms and conditions of sale supplied at the time of order acknowledgment.

TI warrants performance of its hardware products to the specifications applicable at the time of sale in accordance with TI's standard warranty. Testing and other quality control techniques are used to the extent TI deems necessary to support this warranty. Except where mandated by government requirements, testing of all parameters of each product is not necessarily performed.

TI assumes no liability for applications assistance or customer product design. Customers are responsible for their products and applications using TI components. To minimize the risks associated with customer products and applications, customers should provide adequate design and operating safeguards.

TI does not warrant or represent that any license, either express or implied, is granted under any TI patent right, copyright, mask work right, or other TI intellectual property right relating to any combination, machine, or process in which TI products or services are used. Information published by TI regarding third-party products or services does not constitute a license from TI to use such products or services or a warranty or endorsement thereof. Use of such information may require a license from a third party under the patents or other intellectual property of the third party, or a license from TI under the patents or other intellectual property of TI.

Reproduction of information in TI data books or data sheets is permissible only if reproduction is without alteration and is accompanied by all associated warranties, conditions, limitations, and notices. Reproduction of this information with alteration is an unfair and deceptive business practice. TI is not responsible or liable for such altered documentation.

Resale of TI products or services with statements different from or beyond the parameters stated by TI for that product or service voids all express and any implied warranties for the associated TI product or service and is an unfair and deceptive business practice. TI is not responsible or liable for any such statements.

TI products are not authorized for use in safety-critical applications (such as life support) where a failure of the TI product would reasonably be expected to cause severe personal injury or death, unless officers of the parties have executed an agreement specifically governing such use. Buyers represent that they have all necessary expertise in the safety and regulatory ramifications of their applications, and acknowledge and agree that they are solely responsible for all legal, regulatory and safety-related requirements concerning their products and any use of TI products in such safety-critical applications, notwithstanding any applications-related information or support that may be provided by TI. Further, Buyers must fully indemnify TI and its representatives against any damages arising out of the use of TI products in such safety-critical applications.

TI products are neither designed nor intended for use in military/aerospace applications or environments unless the TI products are specifically designated by TI as military-grade or "enhanced plastic." Only products designated by TI as military-grade meet military specifications. Buyers acknowledge and agree that any such use of TI products which TI has not designated as military-grade is solely at the Buyer's risk, and that they are solely responsible for compliance with all legal and regulatory requirements in connection with such use.

TI products are neither designed nor intended for use in automotive applications or environments unless the specific TI products are designated by TI as compliant with ISO/TS 16949 requirements. Buyers acknowledge and agree that, if they use any non-designated products in automotive applications, TI will not be responsible for any failure to meet such requirements.

Following are URLs where you can obtain information on other Texas Instruments products and application solutions:

<b>Products</b>		<b>Applications</b>	
Amplifiers	<a href="http://amplifier.ti.com">amplifier.ti.com</a>	Audio	<a href="http://www.ti.com/audio">www.ti.com/audio</a>
Data Converters	<a href="http://dataconverter.ti.com">dataconverter.ti.com</a>	Automotive	<a href="http://www.ti.com/automotive">www.ti.com/automotive</a>
DSP	<a href="http://dsp.ti.com">dsp.ti.com</a>	Broadband	<a href="http://www.ti.com/broadband">www.ti.com/broadband</a>
Interface	<a href="http://interface.ti.com">interface.ti.com</a>	Digital Control	<a href="http://www.ti.com/digitalcontrol">www.ti.com/digitalcontrol</a>
Logic	<a href="http://logic.ti.com">logic.ti.com</a>	Military	<a href="http://www.ti.com/military">www.ti.com/military</a>
Power Mgmt	<a href="http://power.ti.com">power.ti.com</a>	Optical Networking	<a href="http://www.ti.com/opticalnetwork">www.ti.com/opticalnetwork</a>
Microcontrollers	<a href="http://microcontroller.ti.com">microcontroller.ti.com</a>	Security	<a href="http://www.ti.com/security">www.ti.com/security</a>
RFID	<a href="http://www.ti-rfid.com">www.ti-rfid.com</a>	Telephony	<a href="http://www.ti.com/telephony">www.ti.com/telephony</a>
Low Power Wireless	<a href="http://www.ti.com/lpw">www.ti.com/lpw</a>	Video & Imaging	<a href="http://www.ti.com/video">www.ti.com/video</a>
		Wireless	<a href="http://www.ti.com/wireless">www.ti.com/wireless</a>

Mailing Address: Texas Instruments, Post Office Box 655303, Dallas, Texas 75265  
Copyright © 2007, Texas Instruments Incorporated