



PIC16F5X

Data Sheet

Flash-Based, 8-Bit CMOS
Microcontroller Series

Note the following details of the code protection feature on Microchip devices:

- Microchip products meet the specification contained in their particular Microchip Data Sheet.
- Microchip believes that its family of products is one of the most secure families of its kind on the market today, when used in the intended manner and under normal conditions.
- There are dishonest and possibly illegal methods used to breach the code protection feature. All of these methods, to our knowledge, require using the Microchip products in a manner outside the operating specifications contained in Microchip's Data Sheets. Most likely, the person doing so is engaged in theft of intellectual property.
- Microchip is willing to work with the customer who is concerned about the integrity of their code.
- Neither Microchip nor any other semiconductor manufacturer can guarantee the security of their code. Code protection does not mean that we are guaranteeing the product as "unbreakable."

Code protection is constantly evolving. We at Microchip are committed to continuously improving the code protection features of our products. Attempts to break Microchip's code protection feature may be a violation of the Digital Millennium Copyright Act. If such acts allow unauthorized access to your software or other copyrighted work, you may have a right to sue for relief under that Act.

Information contained in this publication regarding device applications and the like is provided only for your convenience and may be superseded by updates. It is your responsibility to ensure that your application meets with your specifications. MICROCHIP MAKES NO REPRESENTATIONS OR WARRANTIES OF ANY KIND WHETHER EXPRESS OR IMPLIED, WRITTEN OR ORAL, STATUTORY OR OTHERWISE, RELATED TO THE INFORMATION, INCLUDING BUT NOT LIMITED TO ITS CONDITION, QUALITY, PERFORMANCE, MERCHANTABILITY OR FITNESS FOR PURPOSE. Microchip disclaims all liability arising from this information and its use. Use of Microchip devices in life support and/or safety applications is entirely at the buyer's risk, and the buyer agrees to defend, indemnify and hold harmless Microchip from any and all damages, claims, suits, or expenses resulting from such use. No licenses are conveyed, implicitly or otherwise, under any Microchip intellectual property rights.

Trademarks

The Microchip name and logo, the Microchip logo, Accuron, dsPIC, KEELOQ, KEELOQ logo, microID, MPLAB, PIC, PICmicro, PICSTART, PRO MATE, PowerSmart, rfPIC, and SmartShunt are registered trademarks of Microchip Technology Incorporated in the U.S.A. and other countries.


AmpLab, FilterLab, Linear Active Thermistor, Migratable Memory, MXDEV, MXLAB, PS logo, SEEVAL, SmartSensor and The Embedded Control Solutions Company are registered trademarks of Microchip Technology Incorporated in the U.S.A.

Analog-for-the-Digital Age, Application Maestro, CodeGuard, dsPICDEM, dsPICDEM.net, dsPICworks, ECAN, ECONOMONITOR, FanSense, FlexROM, fuzzyLAB, In-Circuit Serial Programming, ICSP, ICEPIC, Mindi, MiWi, MPASM, MPLAB Certified logo, MPLIB, MPLINK, PICkit, PICDEM, PICDEM.net, PICLAB, PICtail, PowerCal, PowerInfo, PowerMate, PowerTool, REAL ICE, rLAB, rfPICDEM, Select Mode, Smart Serial, SmartTel, Total Endurance, UNI/O, WiperLock and ZENA are trademarks of Microchip Technology Incorporated in the U.S.A. and other countries.

SQTP is a service mark of Microchip Technology Incorporated in the U.S.A.

All other trademarks mentioned herein are property of their respective companies.

© 2007, Microchip Technology Incorporated, Printed in the U.S.A., All Rights Reserved.

 Printed on recycled paper.

Microchip received ISO/TS-16949:2002 certification for its worldwide headquarters, design and wafer fabrication facilities in Chandler and Tempe, Arizona, Gresham, Oregon and Mountain View, California. The Company's quality system processes and procedures are for its PIC[®] MCUs and dsPIC[®] DSCs, KEELOQ[®] code hopping devices, Serial EEPROMs, microperipherals, nonvolatile memory and analog products. In addition, Microchip's quality system for the design and manufacture of development systems is ISO 9001:2000 certified.

QUALITY MANAGEMENT SYSTEM
CERTIFIED BY DNV
== ISO/TS 16949:2002 ==

Flash-Based, 8-Bit CMOS Microcontroller Series

High-Performance RISC CPU:

- Only 33 single-word instructions to learn
- All instructions are single cycle except for program branches which are two-cycle
- Two-level deep hardware stack
- Direct, Indirect and Relative Addressing modes for data and instructions
- Operating speed:
 - DC – 20 MHz clock speed
 - DC – 200 ns instruction cycle time
- On-chip Flash program memory:
 - 512 x 12 on PIC16F54
 - 2048 x 12 on PIC16F57
 - 2048 x 12 on PIC16F59
- General Purpose Registers (SRAM):
 - 25 x 8 on PIC16F54
 - 72 x 8 on PIC16F57
 - 134 x 8 on PIC16F59

Special Microcontroller Features:

- Power-on Reset (POR)
- Device Reset Timer (DRT)
- Watchdog Timer (WDT) with its own on-chip RC oscillator for reliable operation
- Programmable Code Protection
- Power-Saving Sleep mode
- In-Circuit Serial Programming™ (ICSP™)
- Selectable oscillator options:
 - RC: Low-cost RC oscillator
 - XT: Standard crystal/resonator
 - HS: High-speed crystal/resonator
 - LP: Power-saving, low-frequency crystal
- Packages:
 - 18-pin PDIP and SOIC for PIC16F54
 - 20-pin SSOP for PIC16F54
 - 28-pin PDIP, SOIC and SSOP for PIC16F57
 - 40-pin PDIP for PIC16F59
 - 44-pin TQFP for PIC16F59

Low-Power Features:

- Operating Current:
 - 170 μ A @ 2V, 4 MHz, typical
 - 15 μ A @ 2V, 32 kHz, typical
- Standby Current:
 - 500 nA @ 2V, typical

Peripheral Features:

- 12/20/32 I/O pins:
 - Individual direction control
 - High current source/sink
- 8-bit real-time clock/counter (TMRO) with 8-bit programmable prescaler

CMOS Technology:

- Wide operating voltage range:
 - Industrial: 2.0V to 5.5V
 - Extended: 2.0V to 5.5V
- Wide temperature range:
 - Industrial: -40°C to 85°C
 - Extended: -40°C to 125°C
- High-endurance Flash:
 - 100K write/erase cycles
 - > 40-year retention

| Device | Program Memory | Data Memory | I/O | Timers 8-bit |
|----------|----------------|--------------|-----|-----------------|
| | Flash (words) | SRAM (bytes) | | |
| PIC16F54 | 512 | 25 | 12 | 1 |
| PIC16F57 | 2048 | 72 | 20 | 1 |
| PIC16F59 | 2048 | 134 | 32 | 1 |

PIC16F5X

Pin Diagrams

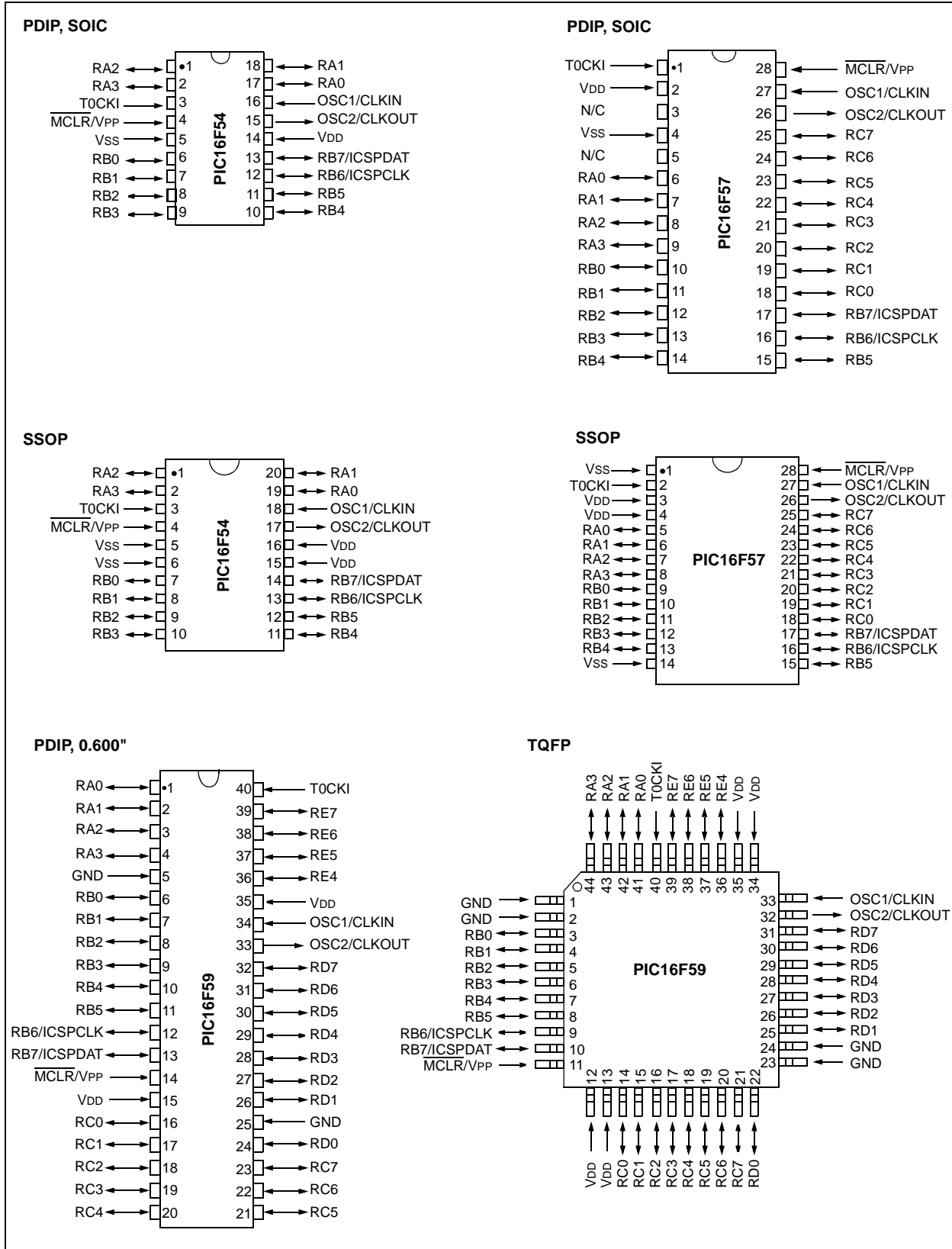


Table of Contents

| | | |
|------|--|----|
| 1.0 | General Description..... | 5 |
| 2.0 | Architectural Overview | 7 |
| 3.0 | Memory Organization..... | 13 |
| 4.0 | Oscillator Configurations | 21 |
| 5.0 | Reset..... | 23 |
| 6.0 | I/O Ports | 29 |
| 7.0 | Timer0 Module and TMR0 Register | 33 |
| 8.0 | Special Features of the CPU..... | 37 |
| 9.0 | Instruction Set Summary | 41 |
| 10.0 | Development Support..... | 53 |
| 11.0 | Electrical Specifications for PIC16F54/57 | 57 |
| 11.0 | Electrical Specifications for PIC16F59 (continued) | 58 |
| 12.0 | Packaging Information..... | 69 |
| | The Microchip Web Site | 83 |
| | Customer Change Notification Service | 83 |
| | Customer Support..... | 83 |
| | Reader Response | 84 |
| | Product Identification System | 85 |

TO OUR VALUED CUSTOMERS

It is our intention to provide our valued customers with the best documentation possible to ensure successful use of your Microchip products. To this end, we will continue to improve our publications to better suit your needs. Our publications will be refined and enhanced as new volumes and updates are introduced.

If you have any questions or comments regarding this publication, please contact the Marketing Communications Department via E-mail at docerrors@microchip.com or fax the **Reader Response Form** in the back of this data sheet to (480) 792-4150. We welcome your feedback.

Most Current Data Sheet

To obtain the most up-to-date version of this data sheet, please register at our Worldwide Web site at:

<http://www.microchip.com>

You can determine the version of a data sheet by examining its literature number found on the bottom outside corner of any page. The last character of the literature number is the version number, (e.g., DS30000A is version A of document DS30000).

Errata

An errata sheet, describing minor operational differences from the data sheet and recommended workarounds, may exist for current devices. As device/documentation issues become known to us, we will publish an errata sheet. The errata will specify the revision of silicon and revision of document to which it applies.

To determine if an errata sheet exists for a particular device, please check with one of the following:

- Microchip's Worldwide Web site; <http://www.microchip.com>
- Your local Microchip sales office (see last page)

When contacting a sales office, please specify which device, revision of silicon and data sheet (include literature number) you are using.

Customer Notification System

Register on our web site at www.microchip.com to receive the most current information on all of our products.

PIC16F5X

NOTES:

1.0 GENERAL DESCRIPTION

The PIC16F5X from Microchip Technology is a family of low-cost, high-performance, 8-bit, fully static, Flash-based CMOS microcontrollers. It employs a RISC architecture with only 33 single-word/single-cycle instructions. All instructions are single cycle except for program branches which take two cycles. The PIC16F5X delivers performance an order of magnitude higher than its competitors in the same price category. The 12-bit wide instructions are highly symmetrical resulting in 2:1 code compression over other 8-bit microcontrollers in its class. The easy-to-use and easy-to-remember instruction set reduces development time significantly.

The PIC16F5X products are equipped with special features that reduce system cost and power requirements. The Power-on Reset (POR) and Device Reset Timer (DRT) eliminate the need for external Reset circuitry. There are four oscillator configurations to choose from, including the power-saving LP (Low Power) oscillator and cost saving RC oscillator. Power-saving Sleep mode, Watchdog Timer and code protection features improve system cost, power and reliability.

The PIC16F5X products are supported by a full-featured macro assembler, a software simulator, a low-cost development programmer and a full featured programmer. All the tools are supported on IBM® PC and compatible machines.

1.1 Applications

The PIC16F5X series fits perfectly in applications ranging from high-speed automotive and appliance motor control to low-power remote transmitters/receivers, pointing devices and telecom processors. The Flash technology makes customizing application programs (transmitter codes, motor speeds, receiver frequencies, etc.) extremely fast and convenient. The small footprint packages, for through hole or surface mounting, make this microcontroller series perfect for applications with space limitations. Low-cost, low-power, high performance, ease of use and I/O flexibility make the PIC16F5X series very versatile, even in areas where no microcontroller use has been considered before (e.g., timer functions, replacement of “glue” logic in larger systems, co-processor applications).

TABLE 1-1: PIC16F5X FAMILY OF DEVICES

| Features | PIC16F54 | PIC16F57 | PIC16F59 |
|----------------------------------|----------------------------------|----------------------------------|-------------------------|
| Maximum Operation Frequency | 20 MHz | 20 MHz | 20 MHz |
| Flash Program Memory (x12 words) | 512 | 2K | 2K |
| RAM Data Memory (bytes) | 25 | 72 | 134 |
| Timer Module(s) | TMR0 | TMR0 | TMR0 |
| I/O Pins | 12 | 20 | 32 |
| Number of Instructions | 33 | 33 | 33 |
| Packages | 18-pin DIP, SOIC; 20-pin SSOP | 28-pin DIP, SOIC; 28-pin SSOP | 40-pin DIP, 44-pin TQFP |

Note: All PIC® Family devices have Power-on Reset, selectable Watchdog Timer, selectable code-protect and high I/O current capability.

PIC16F5X

NOTES:

2.0 ARCHITECTURAL OVERVIEW

The high performance of the PIC16F5X family can be attributed to a number of architectural features commonly found in RISC microprocessors. To begin with, the PIC16F5X uses a Harvard architecture in which program and data are accessed on separate buses. This improves bandwidth over traditional von Neumann architecture where program and data are fetched on the same bus. Separating program and data memory further allows instructions to be sized differently than the 8-bit wide data word. Instruction opcodes are 12-bits wide, making it possible to have all single-word instructions. A 12-bit wide program memory access bus fetches a 12-bit instruction in a single cycle. A two-stage pipeline overlaps fetch and execution of instructions. Consequently, all instructions (33) execute in a single cycle except for program branches.

The PIC16F54 addresses 512 x 12 of program memory, the PIC16F57 and PIC16F59 addresses 2048 x 12 of program memory. All program memory is internal.

The PIC16F5X can directly or indirectly address its register files and data memory. All Special Function Registers (SFR), including the program counter, are mapped in the data memory. The PIC16F5X has a highly orthogonal (symmetrical) instruction set that makes it possible to carry out any operation on any register using any Addressing mode. This symmetrical nature and lack of 'special optimal situations' make programming with the PIC16F5X simple, yet efficient. In addition, the learning curve is reduced significantly.

The PIC16F5X device contains an 8-bit ALU and working register. The ALU is a general purpose arithmetic unit. It performs arithmetic and Boolean functions between data in the working register and any register file.

The ALU is 8-bits wide and capable of addition, subtraction, shift and logical operations. Unless otherwise mentioned, arithmetic operations are two's complement in nature. In two-operand instructions, typically one operand is the W (working) register. The other operand is either a file register or an immediate constant. In single operand instructions, the operand is either the W register or a file register.

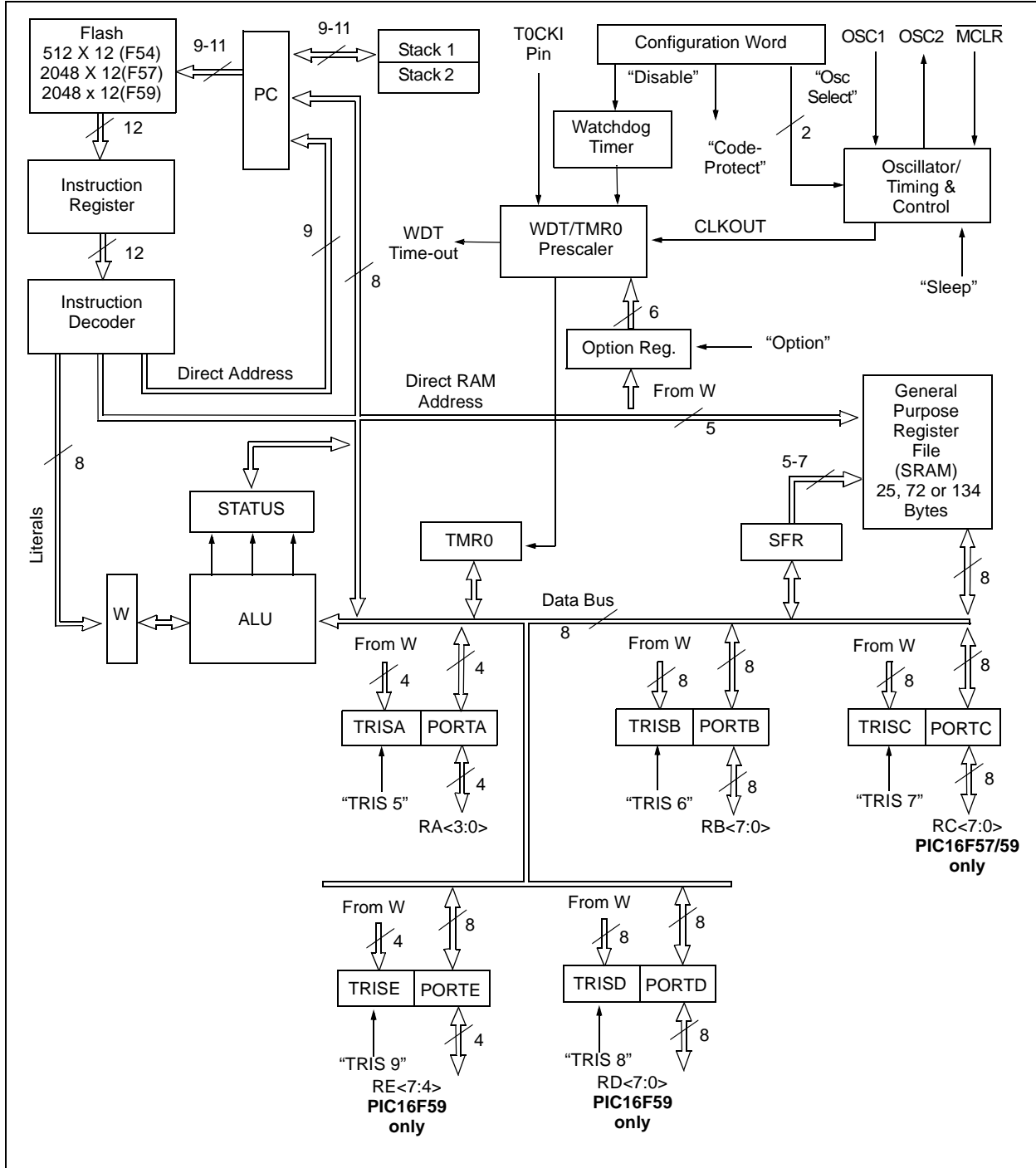
The W register is an 8-bit working register used for ALU operations. It is not an addressable register.

Depending on the instruction executed, the ALU may affect the values of the Carry (C), Digit Carry (DC) and Zero (Z) bits in the STATUS Register. The C and DC bits operate as a borrow and digit borrow out bit, respectively, in subtraction. See the SUBWF and ADDWF instructions for examples.

A simplified block diagram is shown in Figure 2-1 with the corresponding device pins described in Table 2-1 (for PIC16F54), Table 2-2 (for PIC16F57) and Table 2-3 (for PIC16F59).

PIC16F5X

FIGURE 2-1: PIC16F5X SERIES BLOCK DIAGRAM



PIC16F5X

2.1 Clocking Scheme/Instruction Cycle

The clock input (OSC1/CLKIN pin) is internally divided by four to generate four non-overlapping quadrature clocks, namely Q1, Q2, Q3 and Q4. Internally, the Program Counter (PC) is incremented every Q1 and the instruction is fetched from program memory and latched into the instruction register in Q4. It is decoded and executed during the following Q1 through Q4. The clocks and instruction execution flow are shown in Figure 2-2 and Example 2-1.

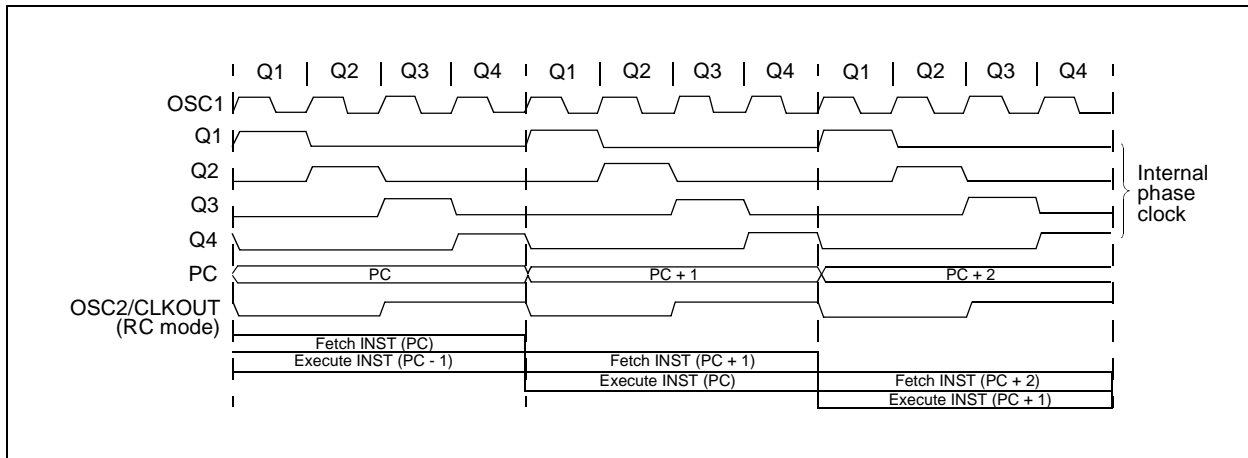
2.2 Instruction Flow/Pipelining

An instruction cycle consists of four Q cycles (Q1, Q2, Q3 and Q4). The instruction fetch and execute are pipelined such that fetch takes one instruction cycle, while decode and execute takes another instruction cycle. However, due to the pipelining, each instruction effectively executes in one cycle. If an instruction causes the Program Counter to change (e.g., GOTO), then two cycles are required to complete the instruction (Example 2-1).

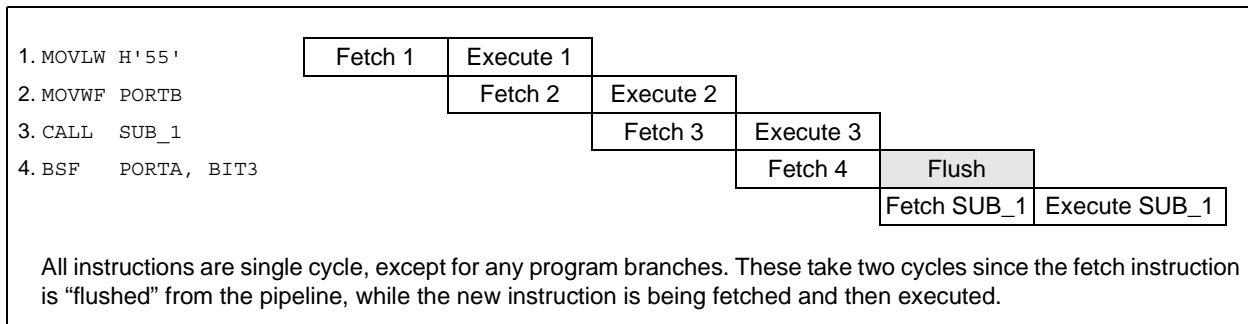
A fetch cycle begins with the Program Counter (PC) incrementing in Q1.

In the execution cycle, the fetched instruction is latched into the instruction register in cycle Q1. This instruction is then decoded and executed during the Q2, Q3 and Q4 cycles. Data memory is read during Q2 (operand read) and written during Q4 (destination write).

FIGURE 2-2: CLOCK/INSTRUCTION CYCLE



EXAMPLE 2-1: INSTRUCTION PIPELINE FLOW



3.0 MEMORY ORGANIZATION

PIC16F5X memory is organized into program memory and data memory. For the PIC16F57 and PIC16F59, which have more than 512 words of program memory, a paging scheme is used. Program memory pages are accessed using one or two STATUS register bits. For the PIC16F57 and PIC16F59, which have a data memory register file of more than 32 registers, a banking scheme is used. Data memory banks are accessed using the File Selection Register (FSR).

3.1 Program Memory Organization

The PIC16F54 has a 9-bit Program Counter (PC) capable of addressing a 512 x 12 program memory space (Figure 3-1). The PIC16F57 and PIC16F59 have an 11-bit Program Counter capable of addressing a 2K x 12 program memory space (Figure 3-2). Accessing a location above the physically implemented address will cause a wraparound.

A NOP at the Reset vector location will cause a restart at location 000h. The Reset vector for the PIC16F54 is at 1FFh. The Reset vector for the PIC16F57 and PIC16F59 is at 7FFh. See **Section 3.5 “Program Counter”** for additional information using CALL and GOTO instructions.

FIGURE 3-2: PIC16F57/PIC16F59 PROGRAM MEMORY MAP AND STACK

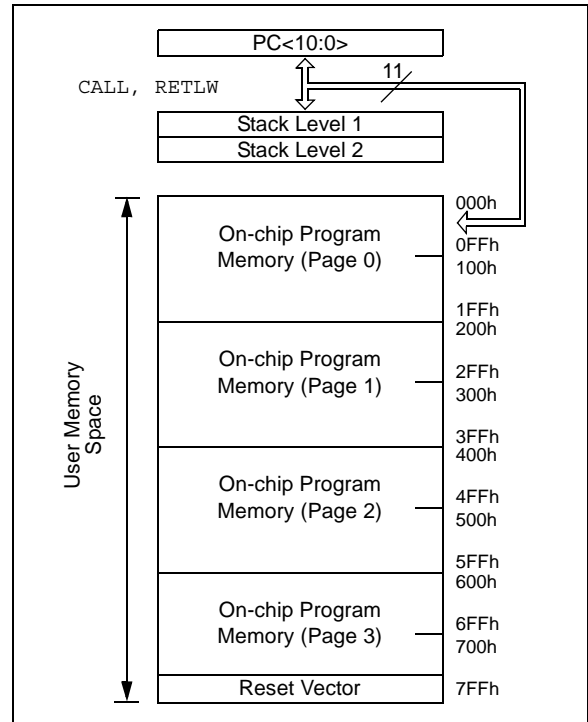
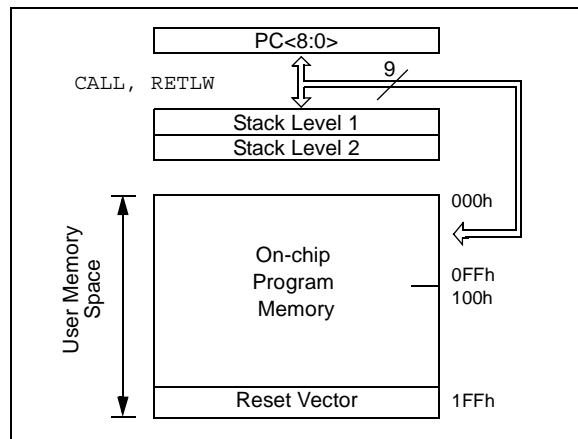


FIGURE 3-1: PIC16F54 PROGRAM MEMORY MAP AND STACK



PIC16F5X

3.2 Data Memory Organization

Data memory is composed of registers or bytes of RAM. Therefore, data memory for a device is specified by its register file. The register file is divided into two functional groups: Special Function Registers (SFR) and General Purpose Registers (GPR).

The Special Function Registers include the TMR0 register, the Program Counter (PC), the STATUS register, the I/O registers (ports) and the File Select Register (FSR). In addition, Special Purpose Registers are used to control the I/O port configuration and prescaler options.

The General Purpose Registers are used for data and control information under command of the instructions.

For the PIC16F54, the register file is composed of 7 Special Function Registers and 25 General Purpose Registers (Figure 3-3).

For the PIC16F57, the register file is composed of 8 Special Function Registers, 8 General Purpose Registers and 64 additional General Purpose Registers that may be addressed using a banking scheme (Figure 3-4).

For the PIC16F59, the register file is composed of 10 Special Function Registers, 6 General Purpose Registers and 128 additional General Purpose Registers that may be addressed using a banking scheme (Figure 3-5).

3.2.1 GENERAL PURPOSE REGISTER FILE

The register file is accessed either directly or indirectly through the File Select Register (FSR). The FSR register is described in **Section 3.7 “Indirect Data Addressing; INDF and FSR Registers”**.

FIGURE 3-3: PIC16F54 REGISTER FILE MAP

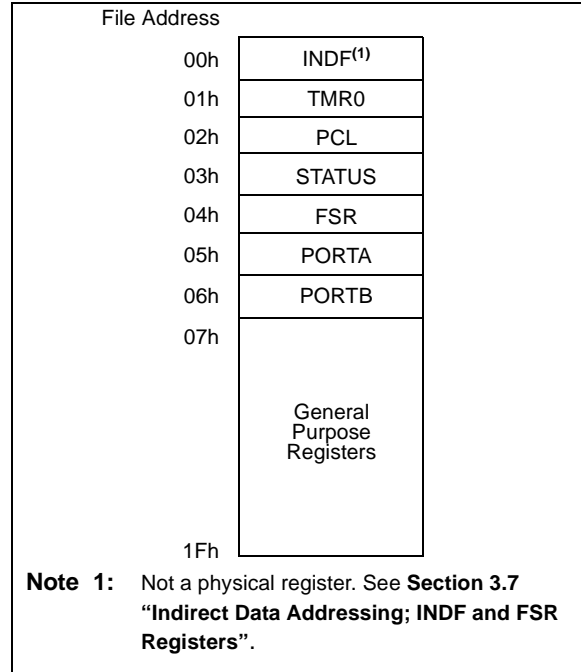


FIGURE 3-4: PIC16F57 REGISTER FILE MAP

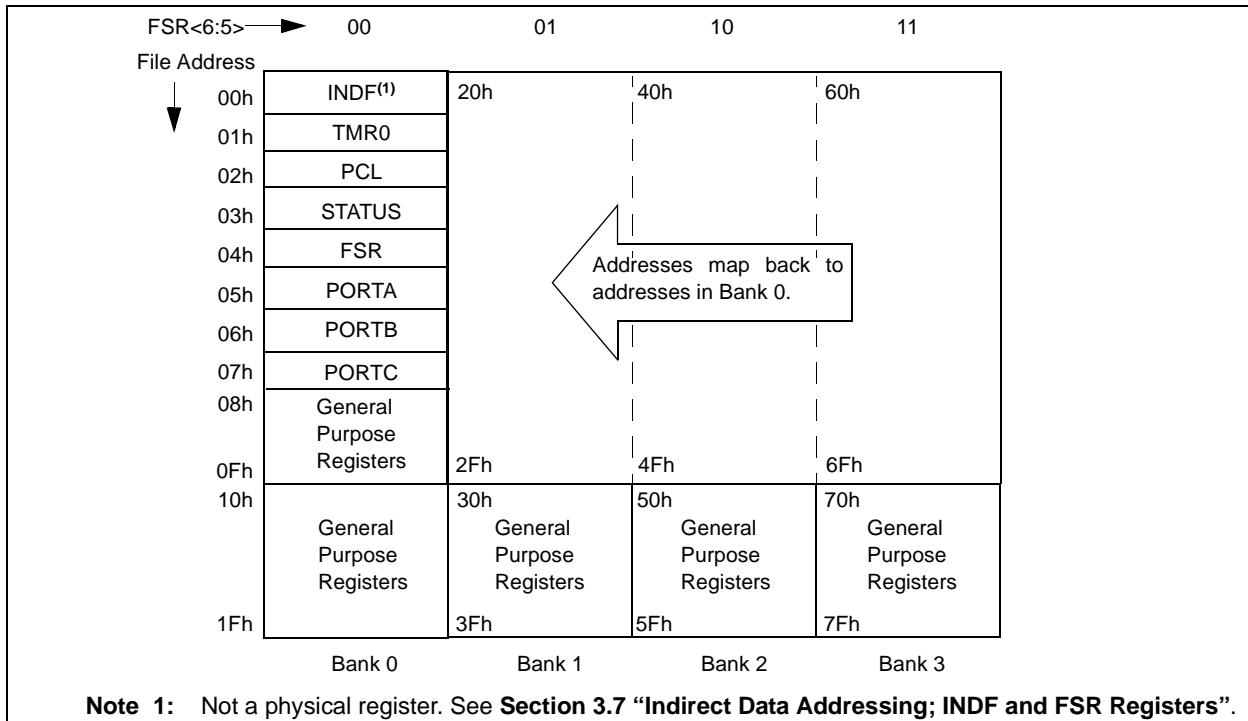
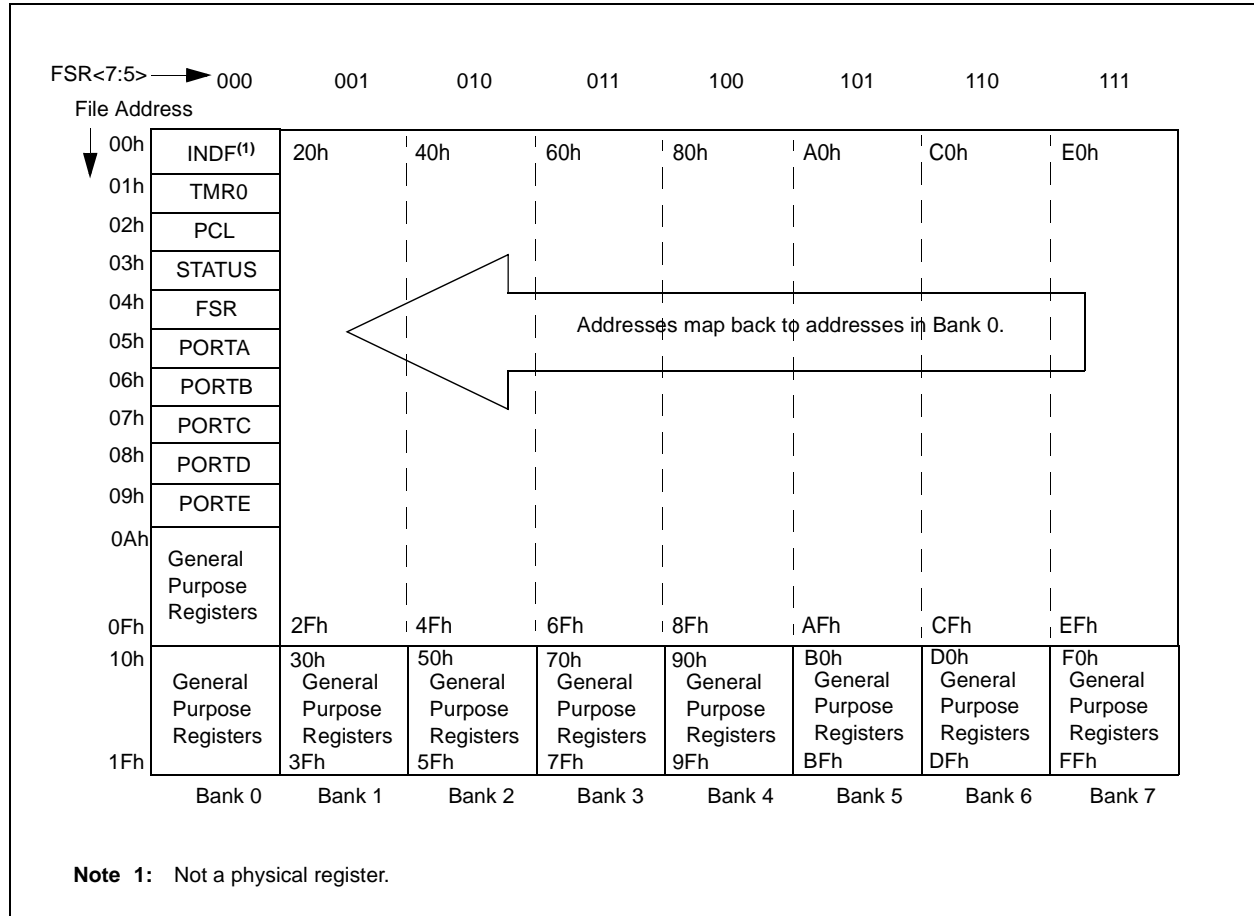


FIGURE 3-5: PIC16F59 REGISTER FILE MAP



PIC16F5X

3.2.2 SPECIAL FUNCTION REGISTERS

The Special Function Registers (SFR) are registers used by the CPU and peripheral functions to control the operation of the device (Table 3-1).

The Special Function Registers can be classified into two sets. The Special Function Registers associated with the “core” functions are described in this section. Those related to the operation of the peripheral features are described in the section for each peripheral feature.

TABLE 3-1: SPECIAL FUNCTION REGISTER SUMMARY

| Address | Name | Bit 7 | Bit 6 | Bit 5 | Bit 4 | Bit 3 | Bit 2 | Bit 1 | Bit 0 | Value on Power-on Reset | Details on Page |
|---------|---------------------------|---|-------|-------|-----------------|-----------------|-------|-------|-------|-------------------------|-----------------|
| N/A | TRIS | I/O Control Registers (TRISA, TRISB, TRISC, TRISD, TRISE) | | | | | | | | 1111 1111 | 29 |
| N/A | OPTION | Contains control bits to configure Timer0 and Timer0/WDT prescaler | | | | | | | | --11 1111 | 18 |
| 00h | INDF | Uses contents of FSR to address data memory (not a physical register) | | | | | | | | xxxx xxxx | 20 |
| 01h | TMR0 | Timer0 Module Register | | | | | | | | xxxx xxxx | 34 |
| 02h | PCL ⁽¹⁾ | Low order 8 bits of PC | | | | | | | | 1111 1111 | 19 |
| 03h | STATUS | PA2 | PA1 | PA0 | \overline{TO} | \overline{PD} | Z | DC | C | 0001 1xxx | 17 |
| 04h | FSR ⁽³⁾ | Indirect data memory Address Pointer | | | | | | | | 111x xxxx | 20 |
| 04h | FSR ⁽⁴⁾ | Indirect data memory Address Pointer | | | | | | | | 1xxx xxxx | 20 |
| 04h | FSR ⁽⁵⁾ | Indirect data memory Address Pointer | | | | | | | | xxxx xxxx | 20 |
| 05h | PORTA ⁽⁶⁾ | — | — | — | — | RA3 | RA2 | RA1 | RA0 | ---- xxxx | 29 |
| 06h | PORTB | RB7 | RB6 | RB5 | RB4 | RB3 | RB2 | RB1 | RB0 | xxxx xxxx | 29 |
| 07h | PORTC ⁽²⁾ | RC7 | RC6 | RC5 | RC4 | RC3 | RC2 | RC1 | RC0 | xxxx xxxx | 29 |
| 08h | PORTD ⁽⁷⁾ | RD7 | RD6 | RD5 | RD4 | RD3 | RD2 | RD1 | RD0 | xxxx xxxx | 29 |
| 09h | PORTE ^{(6), (7)} | RE7 | RE6 | RE5 | RE4 | — | — | — | — | xxxx ---- | 29 |

Legend: Shaded cells = unimplemented or unused, — = unimplemented, read as ‘0’ (if applicable), x = unknown, u = unchanged

Note 1: The upper byte of the Program Counter is not directly accessible. See **Section 3.5 “Program Counter”** for an explanation of how to access these bits.

2: File address 07h is a General Purpose Register on the PIC16F54.

3: PIC16F54 only.

4: PIC16F57 only.

5: PIC16F59 only.

6: Unimplemented bits are read as ‘0’s.

7: File address 08h and 09h are General Purpose Registers on the PIC16F54 and PIC16F57.

3.3 STATUS Register

This register contains the arithmetic status of the ALU, the Reset status and the page preselect bits for program memories larger than 512 words.

The STATUS register can be the destination for any instruction, as with any other register. If the STATUS register is the destination for an instruction that affects the Z, DC or C bits, then the write to these three bits is disabled. These bits are set or cleared according to the device logic. Furthermore, the \overline{TO} and \overline{PD} bits are not writable. Therefore, the result of an instruction with the STATUS register as destination may be different than intended.

For example, `CLRF STATUS` will clear the upper three bits and set the Z bit. This leaves the STATUS register as `000u u1uu` (where `u` = unchanged).

Therefore, it is recommended that only `BCF`, `BSF`, `MOVWF` and `SWAPF` instructions be used to alter the STATUS register because these instructions do not affect the Z, DC or C bits from the STATUS register. For other instructions which do affect Status bits, see **Section 9.0 "Instruction Set Summary"**.

REGISTER 3-1: STATUS REGISTER (ADDRESS: 03h)

| R/W-0 | R/W-0 | R/W-0 | R-1 | R-1 | R/W-x | R/W-x | R/W-x | |
|-------|-------|-------|-----------------|-----------------|-------|-------|-------|-------|
| PA2 | PA1 | PA0 | \overline{TO} | \overline{PD} | Z | DC | C | |
| bit 7 | | | | | | | | bit 0 |

| | |
|---------|---|
| bit 7 | PA2: Reserved, do not use Use of the PA2 bit as a general purpose read/write bit is not recommended, since this may affect upward compatibility with future products. |
| bit 6-5 | PA<1:0>: Program Page Preselect bits (PIC16F57/PIC16F59) 00 = Page 0 (000h-1FFh) 01 = Page 1 (200h-3FFh) 10 = Page 2 (400h-5FFh) 11 = Page 3 (600h-7FFh) Each page is 512 words. Using the PA<1:0> bits as general purpose read/write bits in devices which do not use them for program page preselect is not recommended. This may affect upward compatibility with future products. |
| bit 4 | \overline{TO}: Time-Out bit 1 = After power-up, <code>CLRWDT</code> instruction or <code>SLEEP</code> instruction 0 = A WDT time-out occurred |
| bit 3 | \overline{PD}: Power-Down bit 1 = After power-up or by the <code>CLRWDT</code> instruction 0 = By execution of the <code>SLEEP</code> instruction |
| bit 2 | Z: Zero bit 1 = The result of an arithmetic or logic operation is zero 0 = The result of an arithmetic or logic operation is not zero |
| bit 1 | DC: Digit Carry/Borrow bit (for <code>ADDWF</code> and <code>SUBWF</code> instructions) ADDWF 1 = A carry to the 4th low order bit of the result occurred 0 = A carry from the 4th low order bit of the result did not occur SUBWF 1 = A borrow to the 4th low order bit of the result did not occur 0 = A borrow from the 4th low order bit of the result occurred |
| bit 0 | C: Carry/Borrow bit (for <code>ADDWF</code> , <code>SUBWF</code> and <code>RRF</code> , <code>RLF</code> instructions) ADDWF SUBWF RRF or RLF 1 = A carry occurred 1 = A borrow did not occur Loaded with LSB or MSB, respectively 0 = A carry did not occur 0 = A borrow occurred |

Legend:

| | | |
|--------------------|------------------|--|
| R = Readable bit | W = Writable bit | U = Unimplemented bit, read as '0' |
| - n = Value at POR | '1' = Bit is set | '0' = Bit is cleared x = Bit is unknown |

PIC16F5X

3.4 Option Register

The Option register is a 6-bit wide, write-only register which contains various control bits to configure the Timer0/WDT prescaler and Timer0.

By executing the `OPTION` instruction, the contents of the `W` register will be transferred to the Option register.

A Reset sets the Option<5:0> bits.

REGISTER 3-2: OPTION REGISTER

| | | | | | | | | |
|-------|-----|------|------|-----|-----|-----|-----|-------|
| U-0 | U-0 | W-1 | W-1 | W-1 | W-1 | W-1 | W-1 | |
| — | — | T0CS | T0SE | PSA | PS2 | PS1 | PS0 | |
| bit 7 | | | | | | | | bit 0 |

bit 7-6 **Unimplemented:** Read as '0'

bit 5 **T0CS:** Timer0 Clock Source Select bit
 1 = Transition on T0CKI pin
 0 = Internal instruction cycle clock (CLKOUT)

bit 4 **T0SE:** Timer0 Source Edge Select bit
 1 = Increment on high-to-low transition on T0CKI pin
 0 = Increment on low-to-high transition on T0CKI pin

bit 3 **PSA:** Prescaler Assignment bit
 1 = Prescaler assigned to the WDT
 0 = Prescaler assigned to Timer0

bit 2-0 **PS<2:0>:** Prescaler rate select bits

| Bit Value | Timer0 Rate | WDT Rate |
|-----------|-------------|----------|
| 000 | 1 : 2 | 1 : 1 |
| 001 | 1 : 4 | 1 : 2 |
| 010 | 1 : 8 | 1 : 4 |
| 011 | 1 : 16 | 1 : 8 |
| 100 | 1 : 32 | 1 : 16 |
| 101 | 1 : 64 | 1 : 32 |
| 110 | 1 : 128 | 1 : 64 |
| 111 | 1 : 256 | 1 : 128 |

Legend:

| | | |
|--------------------|------------------|--|
| R = Readable bit | W = Writable bit | U = Unimplemented bit, read as '0' |
| - n = Value at POR | '1' = Bit is set | '0' = Bit is cleared x = Bit is unknown |

3.5 Program Counter

As a program instruction is executed, the Program Counter (PC) will contain the address of the next program instruction to be executed. The PC value is increased by one, every instruction cycle, unless an instruction changes the PC.

For a `GOTO` instruction, bits 8:0 of the PC are provided by the `GOTO` instruction word. The PC Latch (PCL) is mapped to PC<7:0> (Figure 3-6 and Figure 3-7).

For the PIC16F57 and PIC16F59, a page number must be supplied as well. Bit 5 and bit 6 of the STATUS register provide page information to bit 9 and bit 10 of the PC (Figure 3-6 and Figure 3-7).

For a `CALL` instruction, or any instruction where the PCL is the destination, bits 7:0 of the PC again are provided by the instruction word. However, PC<8> does not come from the instruction word, but is always cleared (Figure 3-6 and Figure 3-7).

Instructions where the PCL is the destination or modify PCL instructions, include `MOVWF PCL`, `ADDWF PCL`, and `BSF PCL, 5`.

For the PIC16F57 and PIC16F59, a page number again must be supplied. Bit 5 and bit 6 of the STATUS register provide page information to bit 9 and bit 10 of the PC (Figure 3-6 and Figure 3-7).

Note: Because PC<8> is cleared in the `CALL` instruction or any modified PCL instruction, all subroutine calls or computed jumps are limited to the first 256 locations of any program memory page (512 words long).

FIGURE 3-6: LOADING OF PC BRANCH INSTRUCTIONS – PIC16F54

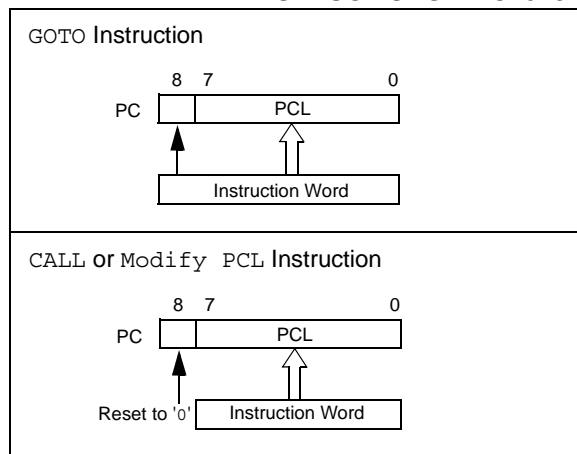
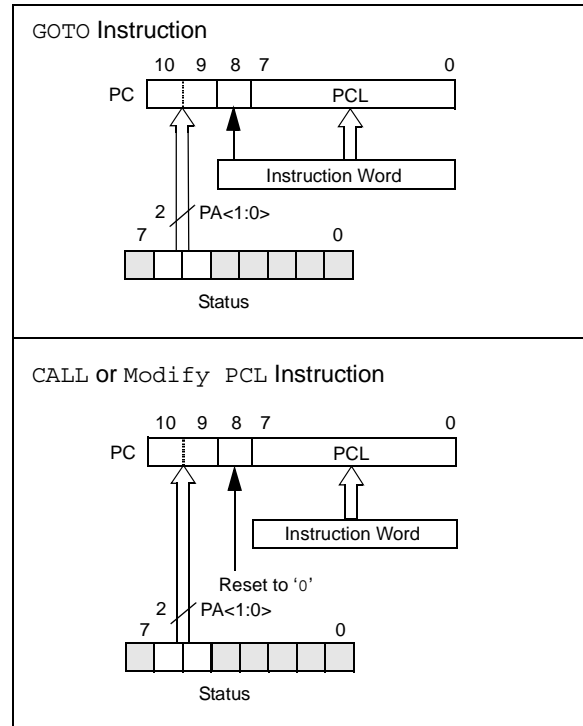


FIGURE 3-7: LOADING OF PC BRANCH INSTRUCTIONS – PIC16F57 AND PIC16F59



3.5.1 PAGING CONSIDERATIONS PIC16F57 AND PIC16F59

If the PC is pointing to the last address of a selected memory page, when it increments, it will cause the program to continue in the next higher page. However, the page preselect bits in the STATUS register will not be updated. Therefore, the next `GOTO`, `CALL` or `MODIFY PCL` instruction will send the program to the page specified by the page preselect bits (PA0 or PA<1:0>).

For example, a `NOP` at location 1FFh (page 0) increments the PC to 200h (page 1). A `GOTO xxx` at 200h will return the program to address xxh on page 0 (assuming that PA<1:0> are clear).

To prevent this, the page preselect bits must be updated under program control.

3.5.2 EFFECTS OF RESET

The PC is set upon a Reset, which means that the PC addresses the last location in the last page (i.e., the Reset vector).

The STATUS register page preselect bits are cleared upon a Reset, which means that page 0 is preselected.

Therefore, upon a Reset, a `GOTO` instruction at the Reset vector location will automatically cause the program to jump to page 0.

PIC16F5X

3.6 Stack

The PIC16F54 device has a 9-bit wide, two-level hardware PUSH/POP stack. The PIC16F57 and PIC16F59 devices have an 11-bit wide, two-level hardware PUSH/POP stack.

A `CALL` instruction will PUSH the current value of stack 1 into stack 2 and then PUSH the current program counter value, incremented by one, into stack level 1. If more than two sequential `CALL`'s are executed, only the most recent two return addresses are stored.

A `RETLW` instruction will POP the contents of stack level 1 into the program counter and then copy stack level 2 contents into level 1. If more than two sequential `RETLW`'s are executed, the stack will be filled with the address previously stored in level 2.

Note: The W register will be loaded with the literal value specified in the instruction. This is particularly useful for the implementation of data look-up tables within the program memory.

For the `RETLW` instruction, the PC is loaded with the Top-of-Stack (TOS) contents. All of the devices covered in this data sheet have a two-level stack. The stack has the same bit width as the device PC, therefore, paging is not an issue when returning from a sub-routine.

3.7 Indirect Data Addressing; INDF and FSR Registers

The INDF register is not a physical register. Addressing INDF actually addresses the register whose address is contained in the FSR Register (FSR is a *pointer*). This is indirect addressing.

EXAMPLE 3-1: INDIRECT ADDRESSING

- Register file 08 contains the value 10h
- Register file 09 contains the value 0Ah
- Load the value 08 into the FSR register
- A read of the INDF register will return the value of 10h
- Increment the value of the FSR register by one (FSR = 09h)
- A read of the INDF register now will return the value of 0Ah.

Reading INDF itself indirectly (FSR = 0) will produce 00h. Writing to the INDF register indirectly results in a no-operation (although Status bits may be affected).

A simple program to clear RAM locations 10h-1Fh using indirect addressing is shown in Example 3-2.

EXAMPLE 3-2: HOW TO CLEAR RAM USING INDIRECT ADDRESSING

```
MOVLW H'10' ;initialize pointer
MOVWF FSR ;to RAM
NEXT CLRF INDF ;clear INDF Register
      INCF FSR,F ;inc pointer
      BTFSC FSR,4 ;all done?
      GOTO NEXT ;NO, clear next
CONTINUE
      : ;YES, continue
```

The FSR is either a 5-bit (PIC16F54), 7-bit (PIC16F57) or 8-bit (PIC16F59) wide register. It is used in conjunction with the INDF register to indirectly address the data memory area.

The FSR<4:0> bits are used to select data memory addresses 00h to 1Fh.

PIC16F54: This does not use banking. FSR<7:5> bits are unimplemented and read as '1's.

PIC16F57: FSR<7> bit is unimplemented and read as '1'. FSR<6:5> are the bank select bits and are used to select the bank to be addressed (00 = Bank 0, 01 = Bank 1, 10 = Bank 2, 11 = Bank 3).

PIC16F59: FSR<7:5> are the bank select bits and are used to select the bank to be addressed (000 = Bank 0, 001 = Bank 1, 010 = Bank 2, 011 = Bank 3, 100 = Bank 4, 101 = Bank 5, 110 = Bank 6, 111 = Bank 7).

Note: A `CLRF FSR` instruction may not result in an FSR value of 00h if there are unimplemented bits present in the FSR.

4.0 OSCILLATOR CONFIGURATIONS

4.1 Oscillator Types

The PIC16F5X devices can be operated in four different oscillator modes. The user can program two Configuration bits (FOSC1:FOSC0) to select one of these four modes:

- LP: Low-power Crystal
- XT: Crystal/Resonator
- HS: High-speed Crystal/Resonator
- RC: Resistor/Capacitor

4.2 Crystal Oscillator/Ceramic Resonators

In XT, LP or HS modes, a crystal or ceramic resonator is connected to the OSC1/CLKIN and OSC2/CLKOUT pins to establish oscillation (Figure 4-1). The PIC16F5X oscillator design requires the use of a parallel cut crystal. Use of a series cut crystal may give a frequency outside of the crystal manufacturers specifications. When in XT, LP or HS modes, the device can have an external clock source drive the OSC1/CLKIN pin (Figure 4-2).

FIGURE 4-1: CRYSTAL/CERAMIC RESONATOR OPERATION (HS, XT OR LP OSC CONFIGURATION)

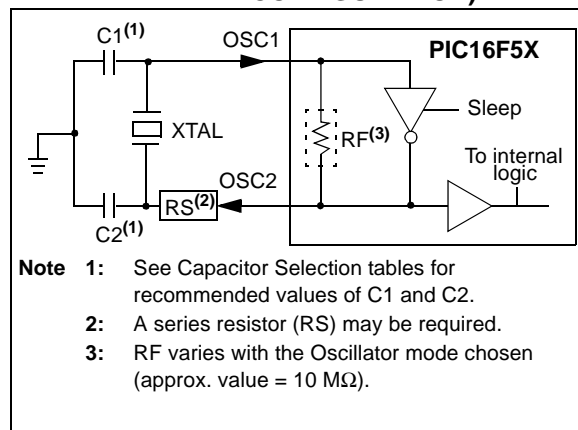


FIGURE 4-2: EXTERNAL CLOCK INPUT OPERATION (HS, XT OR LP OSC CONFIGURATION)

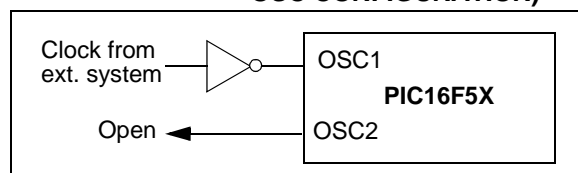


TABLE 4-1: CAPACITOR SELECTION FOR CERAMIC RESONATORS

| Osc Type | Resonator Freq. | Cap. Range C1 | Cap. Range C2 |
|----------|-----------------|---------------|---------------|
| XT | 455 kHz | 68-100 pF | 68-100 pF |
| | 2.0 MHz | 15-33 pF | 15-33 pF |
| | 4.0 MHz | 10-22 pF | 10-22 pF |
| HS | 8.0 MHz | 10-22 pF | 10-22 pF |
| | 16.0 MHz | 10 pF | 10 pF |

These values are for design guidance only. Since each resonator has its own characteristics, the user should consult the resonator manufacturer for appropriate values of external components.

TABLE 4-2: CAPACITOR SELECTION FOR CRYSTAL OSCILLATOR

| Osc Type | Crystal Freq. | Cap. Range C1 | Cap. Range C2 |
|----------|-----------------------|---------------|---------------|
| LP | 32 kHz ⁽¹⁾ | 15 pF | 15 pF |
| XT | 100 kHz | 15-30 pF | 200-300 pF |
| | 200 kHz | 15-30 pF | 100-200 pF |
| | 455 kHz | 15-30 pF | 15-100 pF |
| | 1 MHz | 15-30 pF | 15-30 pF |
| | 2 MHz | 15 pF | 15 pF |
| | 4 MHz | 15 pF | 15 pF |
| HS | 4 MHz | 15 pF | 15 pF |
| | 8 MHz | 15 pF | 15 pF |
| | 20 MHz | 15 pF | 15 pF |

Note 1: For V_{DD} > 4.5V, C1 = C2 ≈ 30 pF is recommended.

These values are for design guidance only. Rs may be required in HS mode, as well as XT mode, to avoid overdriving crystals with low drive level specifications. Since each crystal has its own characteristics, the user should consult the crystal manufacturer for appropriate values of external components.

Note 1: This device has been designed to perform to the parameters of its data sheet. It has been tested to an electrical specification designed to determine its conformance with these parameters. Due to process differences in the manufacture of this device, this device may have different performance characteristics than its earlier version. These differences may cause this device to perform differently in your application than the earlier version of this device.

2: The user should verify that the device oscillator starts and performs as expected. Adjusting the loading capacitor values and/or the Oscillator mode may be required.

PIC16F5X

4.3 External Crystal Oscillator Circuit

Either a pre-packaged oscillator or a simple oscillator circuit with TTL gates can be used as an external crystal oscillator circuit. Pre-packaged oscillators provide a wide operating range and better stability. A well designed crystal oscillator will provide good performance with TTL gates. Two types of crystal oscillator circuits can be used: one with parallel resonance or one with series resonance.

Figure 4-3 shows an implementation example of a parallel resonant oscillator circuit. The circuit is designed to use the fundamental frequency of the crystal. The 74AS04 inverter performs the 180° phase shift that a parallel oscillator requires. The 4.7 kΩ resistor provides the negative feedback for stability. The 10 kΩ potentiometers bias the 74AS04 in the linear region. This circuit could be used for external oscillator designs.

FIGURE 4-3: EXTERNAL PARALLEL RESONANT CRYSTAL OSCILLATOR CIRCUIT (USING XT, HS OR LP OSCILLATOR MODE)

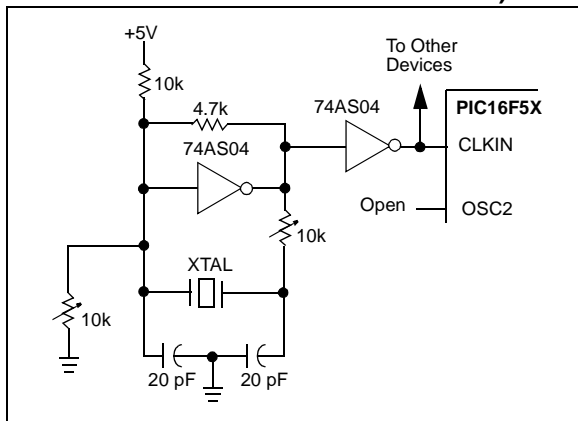
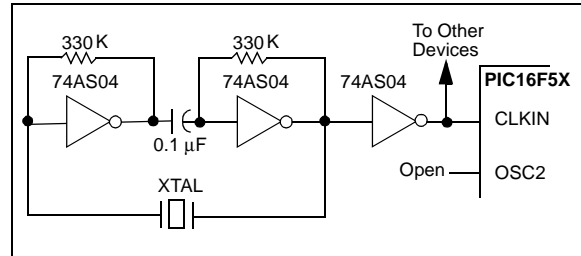


Figure 4-4 shows a series resonant oscillator circuit. This circuit is also designed to use the fundamental frequency of the crystal. The inverters perform a 360° phase shift in a series resonant oscillator circuit. The 330 kΩ resistors provide the negative feedback to bias the inverters in their linear region.

FIGURE 4-4: EXTERNAL SERIES RESONANT CRYSTAL OSCILLATOR CIRCUIT (USING XT, HS OR LP OSCILLATOR MODE)



4.4 RC Oscillator

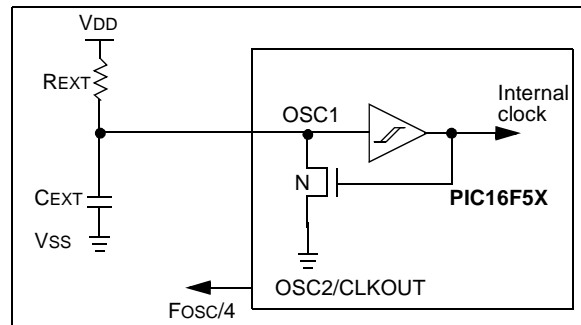
For applications where precise timing is not a requirement, the RC oscillator option is available. The operation and functionality of the RC oscillator is dependent upon a number of variables. The RC oscillator frequency is a function of:

- Supply voltage
- Resistor (R_{EXT}) and capacitor (C_{EXT}) values
- Operating temperature.

The oscillator frequency will vary from unit to unit due to normal process parameter variation. The difference in lead frame capacitance between package types will also affect the oscillation frequency, especially for low C_{EXT} values. The user also needs to account for the tolerance of the external R and C components. Figure 4-5 shows how the R/C combination is connected.

The oscillator frequency, divided by 4, is available on the OSC2/CLKOUT pin and can be used for test purposes or to synchronize other logic.

FIGURE 4-5: RC OSCILLATOR MODE



5.0 RESET

The PIC16F5X devices may be reset in one of the following ways:

- Power-on Reset (POR)
- $\overline{\text{MCLR}}$ Reset (normal operation)
- $\overline{\text{MCLR}}$ Wake-up Reset (from Sleep)
- WDT Reset (normal operation)
- WDT Wake-up Reset (from Sleep)

Table 5-1 shows these Reset conditions for the PCL and STATUS registers.

Some registers are not affected in any Reset condition. Their status is unknown on POR and unchanged in any other Reset. Most other registers are reset to a "Reset state" on Power-on Reset (POR), $\overline{\text{MCLR}}$ or WDT Reset. A $\overline{\text{MCLR}}$ or WDT wake-up from Sleep also results in a device Reset and not a continuation of operation before Sleep.

The $\overline{\text{TO}}$ and $\overline{\text{PD}}$ bits (STATUS <4:3>) are set or cleared depending on the different Reset conditions (Table 5-1). These bits may be used to determine the nature of the Reset.

Table 5-3 lists a full description of Reset states of all registers. Figure 5-1 shows a simplified block diagram of the on-chip Reset circuit.

TABLE 5-1: STATUS BITS AND THEIR SIGNIFICANCE

| Condition | $\overline{\text{TO}}$ | $\overline{\text{PD}}$ |
|---|------------------------|------------------------|
| Power-on Reset | 1 | 1 |
| $\overline{\text{MCLR}}$ Reset (normal operation) | u | u |
| $\overline{\text{MCLR}}$ Wake-up (from Sleep) | 1 | 0 |
| WDT Reset (normal operation) | 0 | 1 |
| WDT Wake-up (from Sleep) | 0 | 0 |

Legend: u = unchanged, x = unknown, — = unimplemented read as '0'.

TABLE 5-2: SUMMARY OF REGISTERS ASSOCIATED WITH RESET

| Address | Name | Bit 7 | Bit 6 | Bit 5 | Bit 4 | Bit 3 | Bit 2 | Bit 1 | Bit 0 | Value on POR | Value on $\overline{\text{MCLR}}$ and WDT Reset |
|---------|--------|-------|-------|-------|------------------------|------------------------|-------|-------|-------|--------------|---|
| 03h | STATUS | PA2 | PA1 | PA0 | $\overline{\text{TO}}$ | $\overline{\text{PD}}$ | Z | DC | C | 0001 1xxx | 000q quuu |

Legend: u = unchanged, x = unknown, q = see Table 5-1 for possible values.

PIC16F5X

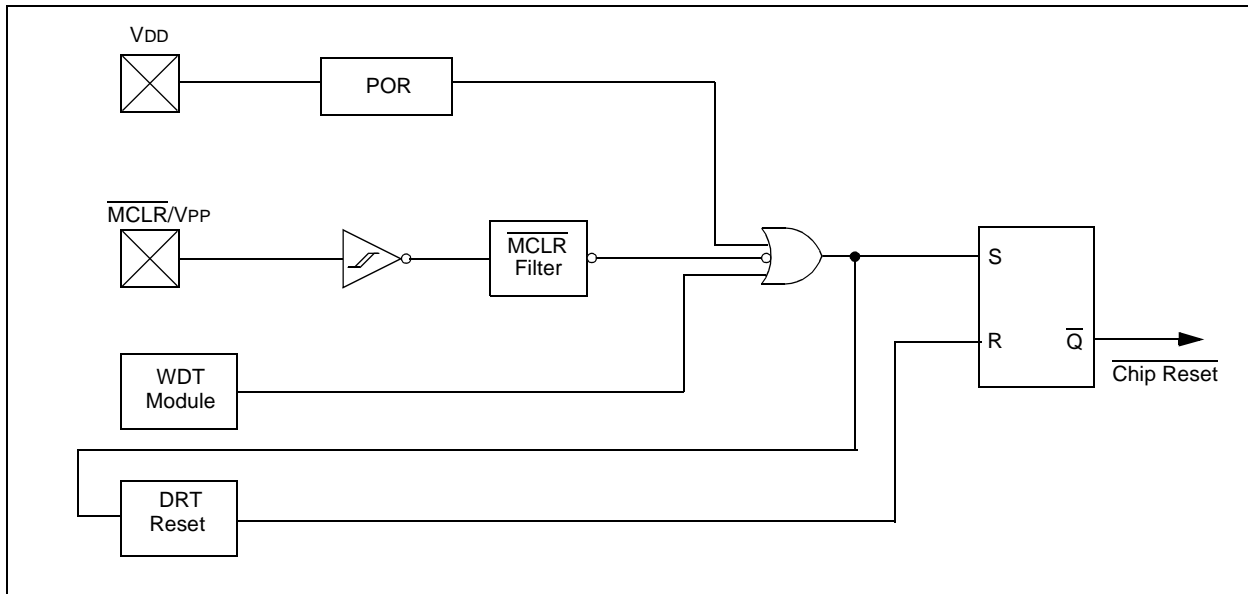
TABLE 5-3: RESET CONDITIONS FOR ALL REGISTERS

| Register | Address | Power-on Reset | MCLR or WDT Reset |
|----------------------|---------|----------------|-------------------|
| W | N/A | xxxx xxxx | uuuu uuuu |
| TRIS | N/A | 1111 1111 | 1111 1111 |
| OPTION | N/A | --11 1111 | --11 1111 |
| INDF | 00h | xxxx xxxx | uuuu uuuu |
| TMR0 | 01h | xxxx xxxx | uuuu uuuu |
| PCL | 02h | 1111 1111 | 1111 1111 |
| STATUS | 03h | 0001 1xxx | 000q quuu |
| FSR ⁽¹⁾ | 04h | 111x xxxx | 111u uuuu |
| FSR ⁽²⁾ | 04h | 1xxx xxxx | 1uuu uuuu |
| FSR ⁽³⁾ | 04h | xxxx xxxx | uuuu uuuu |
| PORTA | 05h | ---- xxxx | ---- uuuu |
| PORTB | 06h | xxxx xxxx | uuuu uuuu |
| PORTC ⁽⁴⁾ | 07h | xxxx xxxx | uuuu uuuu |
| PORTD ⁽⁵⁾ | 08h | xxxx xxxx | uuuu uuuu |
| PORTE ⁽⁵⁾ | 09h | xxxx ---- | uuuu ---- |

Legend: u = unchanged, x = unknown, - = unimplemented, read as '0', q = see tables in Table 5-1 for possible values.

- Note 1:** PIC16F54 only.
- 2:** PIC16F57 only.
- 3:** PIC16F59 only.
- 4:** General purpose register file on PIC16F54.
- 5:** General purpose register file on PIC16F54 and PIC16F57.

FIGURE 5-1: SIMPLIFIED BLOCK DIAGRAM OF ON-CHIP RESET CIRCUIT



5.1 Power-on Reset (POR)

The PIC16F5X family of devices incorporate on-chip Power-on Reset (POR) circuitry which provides an internal chip Reset for most power-up situations. To use this feature, the user merely ties the MCLR/VPP pin to VDD. A simplified block diagram of the on-chip Power-on Reset circuit is shown in Figure 5-1.

The Power-on Reset circuit and the Device Reset Timer (Section 5.2) circuit are closely related. On power-up, the Reset latch is set and the DRT is reset. The DRT timer begins counting once it detects MCLR to be high. After the time-out period, which is typically 18 ms, it will reset the Reset latch and thus end the on-chip Reset signal.

A power-up example where MCLR is not tied to VDD is shown in Figure 5-3. VDD is allowed to rise and stabilize before bringing MCLR high. The chip will actually come out of Reset TDRT msec after MCLR goes high.

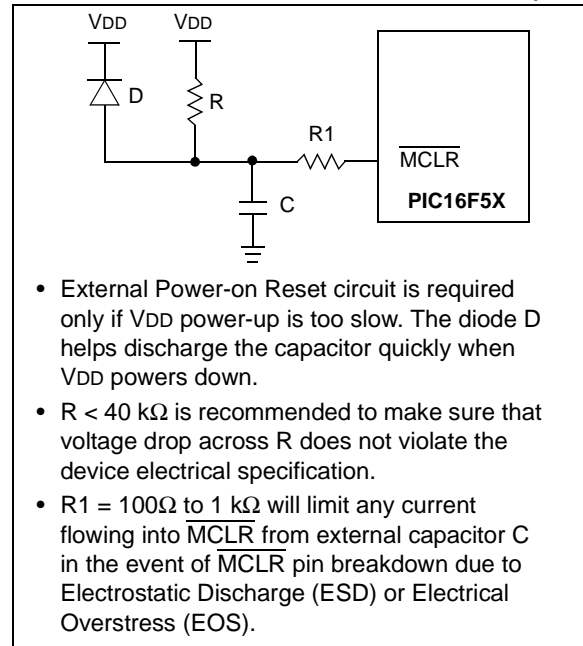
In Figure 5-4, the on-chip Power-on Reset feature is being used (MCLR and VDD are tied together). The VDD is stable before the start-up timer times out and there is no problem in getting a proper Reset. However, Figure 5-5 depicts a problem situation where VDD rises too slowly. The time between when the DRT senses a high on the MCLR/VPP pin and the MCLR/VPP pin (and VDD) actually reach their full value is too long. In this situation, when the start-up timer times out, VDD has not reached the VDD (min) value and the chip is, therefore, not ensured to function correctly. For such situations, we recommend that external RC circuits be used to achieve longer POR delay times (Figure 5-2).

Note 1: When the device starts normal operation (exits the Reset condition), device operating parameters (voltage, frequency, temperature, etc.) must be met to ensure operation. If these conditions are not met, the device must be held in Reset until the operating conditions are met.

2: The POR is disabled when the device is in Sleep.

For more information on the PIC16F5X POR, see Application Note AN522, "Power-Up Considerations" at www.microchip.com.

FIGURE 5-2: EXTERNAL POWER-ON RESET CIRCUIT (FOR SLOW VDD POWER-UP)



PIC16F5X

FIGURE 5-3: TIME-OUT SEQUENCE ON POWER-UP ($\overline{\text{MCLR}}$ NOT TIED TO V_{DD})

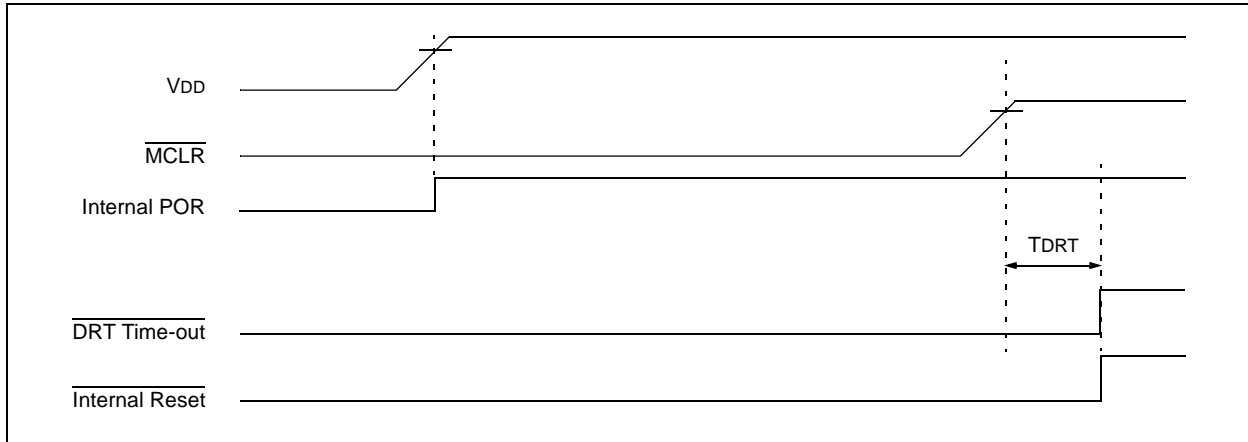


FIGURE 5-4: TIME-OUT SEQUENCE ON POWER-UP ($\overline{\text{MCLR}}$ TIED TO V_{DD}): FAST V_{DD} RISE TIME

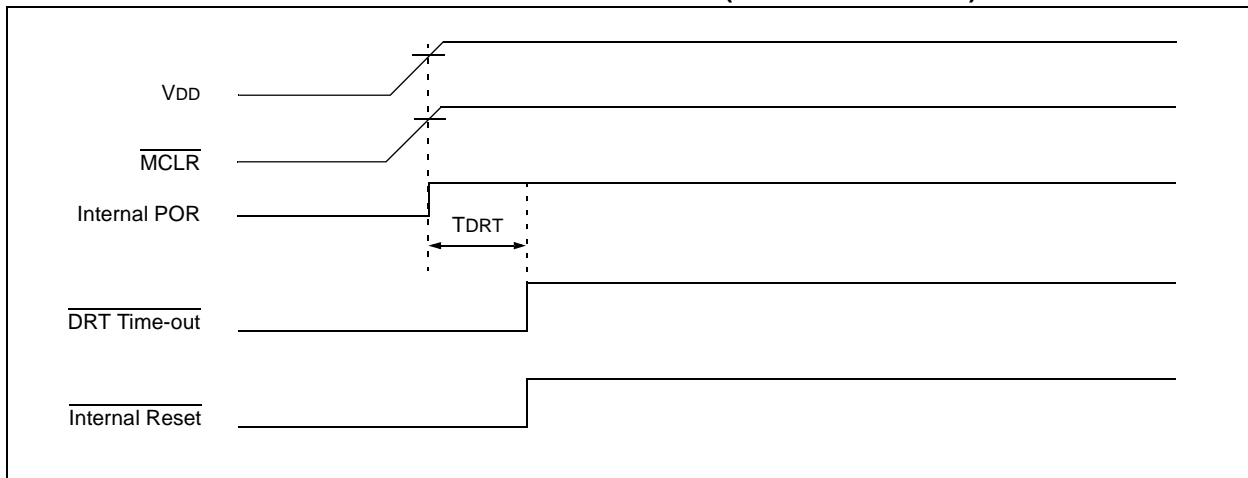
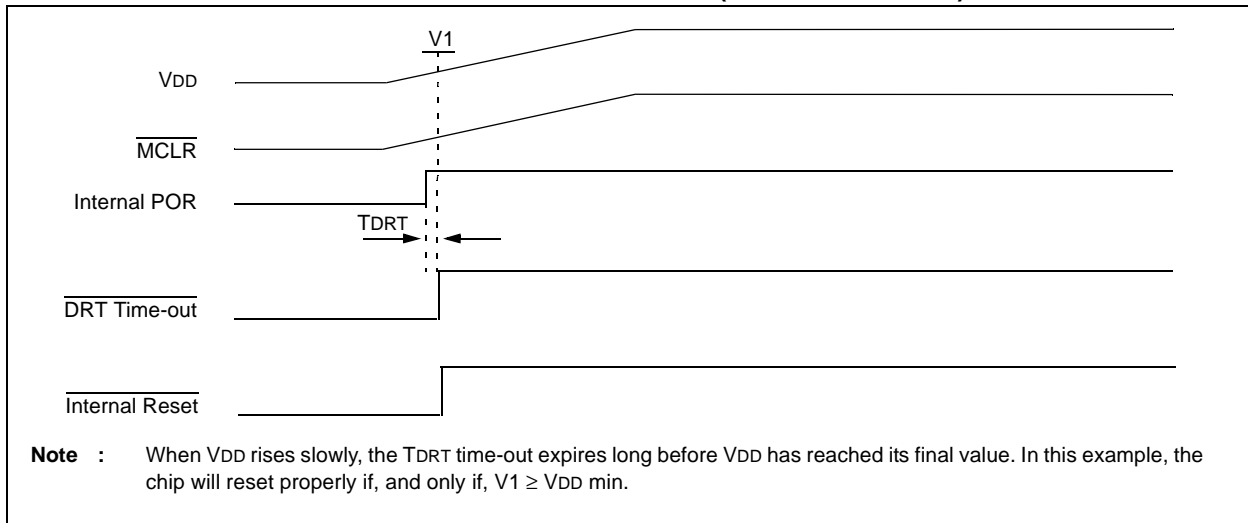


FIGURE 5-5: TIME-OUT SEQUENCE ON POWER-UP ($\overline{\text{MCLR}}$ TIED TO V_{DD}): SLOW V_{DD} RISE TIME



5.2 Device Reset Timer (DRT)

The Device Reset Timer (DRT) provides an 18 ms nominal time-out on Reset regardless of the oscillator mode used. The DRT operates on an internal RC oscillator. The processor is kept in Reset as long as the DRT is active. The DRT delay allows VDD to rise above VDD min. and for the chosen oscillator to stabilize.

Oscillator circuits, based on crystals or ceramic resonators, require a certain time after power-up to establish a stable oscillation. The on-chip DRT keeps the device in a Reset condition for approximately 18 ms after the voltage on the MCLR/VPP pin has reached a logic high (VIH) level. Thus, external RC networks connected to the MCLR input are not required in most cases, allowing for savings in cost-sensitive and/or space restricted applications.

The device Reset time delay will vary from chip-to-chip due to VDD, temperature and process variation. See AC parameters for details.

The DRT will also be triggered upon a Watchdog Timer time-out. This is particularly important for applications using the WDT to wake the PIC16F5X from Sleep mode automatically.

5.3 Reset on Brown-Out

A Brown-out is a condition where device power (VDD) dips below its minimum value, but not to zero, and then recovers. The device should be reset in the event of a Brown-out.

To reset PIC16F5X devices when a Brown-out occurs, external Brown-out protection circuits may be built, as shown in Figure 5-6, Figure 5-7 and Figure 5-8.

FIGURE 5-6: EXTERNAL BROWN-OUT PROTECTION CIRCUIT 1

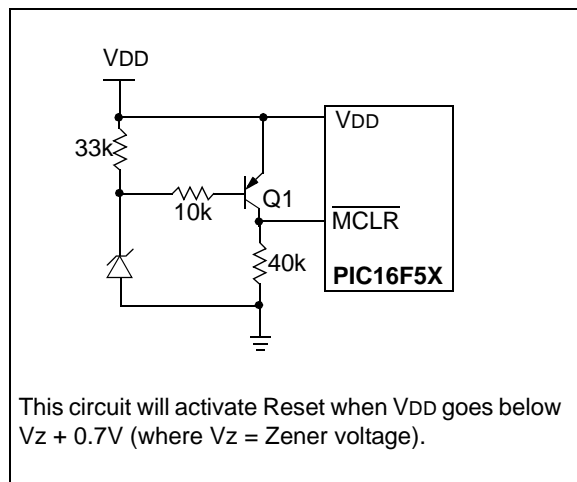


FIGURE 5-7: EXTERNAL BROWN-OUT PROTECTION CIRCUIT 2

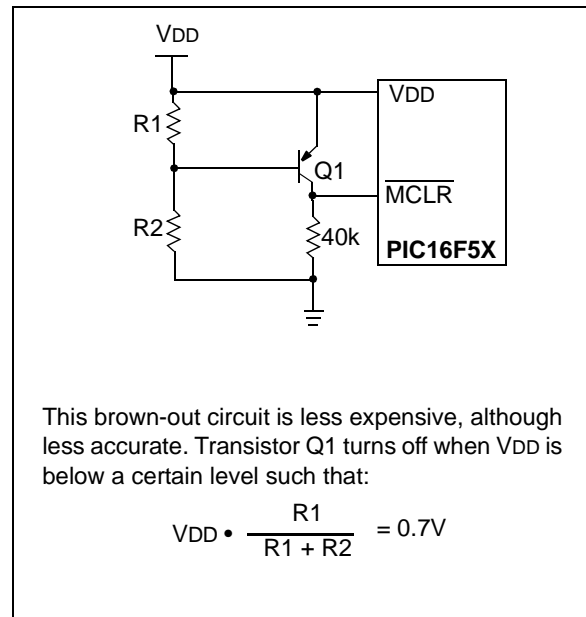
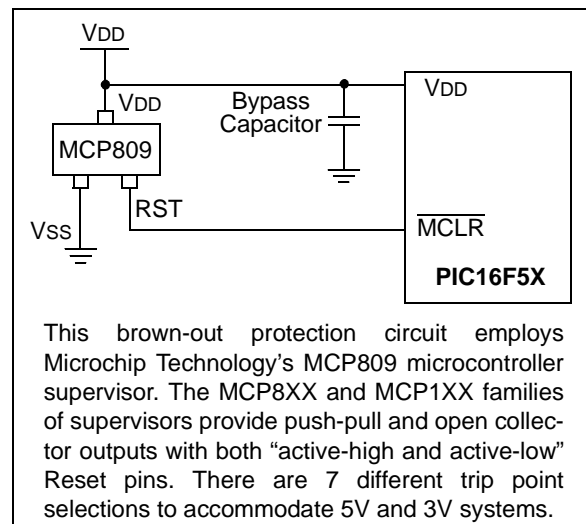


FIGURE 5-8: EXTERNAL BROWN-OUT PROTECTION CIRCUIT 3



PIC16F5X

NOTES:

6.0 I/O PORTS

As with any other register, the I/O registers can be written and read under program control. However, read instructions (e.g., `MOVF PORTB, W`) always read the I/O pins independent of the pin's Input/Output modes. On Reset, all I/O ports are defined as input (inputs are at high-impedance), since the I/O control registers (TRISA, TRISB, TRISC, TRISD and TRISE) are all set.

6.1 PORTA

PORTA is a 4-bit I/O register. Only the low order 4 bits are used (PORTA<3:0>). The high order 4 bits (PORTA<7:4>) are unimplemented and read as '0's.

6.2 PORTB

PORTB is an 8-bit I/O register (PORTB<7:0>).

6.3 PORTC

PORTC is an 8-bit I/O register (PORTC<7:0>) for the PIC16F57 and PIC16F59.

PORTC is a General Purpose Register for the PIC16F54.

6.4 PORTD

PORTD is an 8-bit I/O register (PORTD<7:0>) for the PIC16F59.

PORTD is a General Purpose Register for the PIC16F54 and PIC16F57.

6.5 PORTE

PORTE is a 4-bit I/O register for the PIC16F59. Only the high order 4 bits are used (PORTE<7:4>). The low order 4 bits (PORTE<3:0>) are unimplemented and read as '0's.

PORTE is a General Purpose Register for the PIC16F54 and PIC16F57.

6.6 TRIS Registers

The output driver control registers are loaded with the contents of the W register by executing the `TRIS f` instruction. A '1' from a TRIS register bit puts the corresponding output driver in a High-Impedance (Input) mode. A '0' puts the contents of the output data latch on the selected pins, enabling the output buffer.

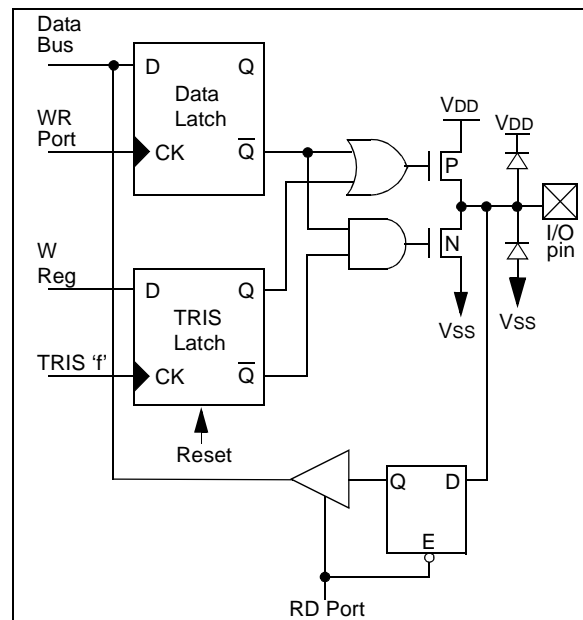
Note: A read of the ports reads the pins, not the output data latches. That is, if an output driver on a pin is enabled and driven high, but the external system is holding it low, a read of the port will indicate that the pin is low.

The TRIS registers are "write-only" and are set (output drivers disabled) upon Reset.

6.7 I/O Interfacing

The equivalent circuit for an I/O port pin is shown in Figure 6-1. All ports may be used for both input and output operation. For input operations, these ports are non-latching. Any input must be present until read by an input instruction (e.g., `MOVF PORTB, W`). The outputs are latched and remain unchanged until the output latch is rewritten. To use a port pin as output, the corresponding direction control bit (in TRISA, TRISB, TRISC, TRISD and TRISE) must be cleared (= 0). For use as an input, the corresponding TRIS bit must be set. Any I/O pin can be programmed individually as input or output.

FIGURE 6-1: EQUIVALENT CIRCUIT FOR A SINGLE I/O PIN



PIC16F5X

TABLE 6-1: SUMMARY OF PORT REGISTERS

| Address | Name | Bit 7 | Bit 6 | Bit 5 | Bit 4 | Bit 3 | Bit 2 | Bit 1 | Bit 0 | Value on Power-on Reset | Value on MCLR and WDT Reset |
|---------|----------------------|--|-------|-------|-------|-------|-------|-------|-------|-------------------------|-----------------------------|
| N/A | TRIS | I/O Control Registers (TRISA, TRISB, TRISC, TRISD and TRISE) | | | | | | | | 1111 1111 | 1111 1111 |
| 05h | PORTA | — | — | — | — | RA3 | RA2 | RA1 | RA0 | ---- xxxx | ---- uuuu |
| 06h | PORTB | RB7 | RB6 | RB5 | RB4 | RB3 | RB2 | RB1 | RB0 | xxxx xxxx | uuuu uuuu |
| 07h | PORTC ⁽¹⁾ | RC7 | RC6 | RC5 | RC4 | RC3 | RC2 | RC1 | RC0 | xxxx xxxx | uuuu uuuu |
| 08h | PORTD ⁽²⁾ | RD7 | RD6 | RD5 | RD4 | RD3 | RD2 | RD1 | RD0 | xxxx xxxx | uuuu uuuu |
| 09h | PORTE ⁽²⁾ | RE7 | RE6 | RE5 | RE4 | — | — | — | — | xxxx ---- | uuuu ---- |

Legend: Shaded cells = unimplemented, read as '0', — = unimplemented, read as '0', x = unknown, u = unchanged

Note 1: File address 07h is a General Purpose Register on the PIC16F54.

2: File address 08h and 09h are General Purpose Registers on the PIC16F54 and PIC16F57.

6.8 I/O Programming Considerations

6.8.1 BIDIRECTIONAL I/O PORTS

Some instructions operate internally as read followed by write operations. The BCF and BSF instructions, for example, read the entire port into the CPU, execute the bit operation and re-write the result. Caution must be used when these instructions are applied to a port where one or more pins are used as input/outputs. For example, a BSF operation on bit 5 of PORTB will cause all eight bits of PORTB to be read into the CPU, bit 5 to be set and the PORTB value to be written to the output latches. If another bit of PORTB is used as a bidirectional I/O pin (say bit '0'), and it is defined as an input at this time, the input signal present on the pin itself would be read into the CPU and rewritten to the data latch of this particular pin, overwriting the previous content. As long as the pin stays in the Input mode, no problem occurs. However, if bit '0' is switched into Output mode later on, the content of the data latch may now be unknown.

Example 6-1 shows the effect of two sequential read-modify-write instructions (e.g., BCF, BSF, etc.) on an I/O port.

A pin actively outputting a high or a low should not be driven from external devices at the same time in order to change the level on this pin ("wired-or", "wired-and"). The resulting high output currents may damage the chip.

EXAMPLE 6-1: READ-MODIFY-WRITE INSTRUCTIONS ON AN I/O PORT

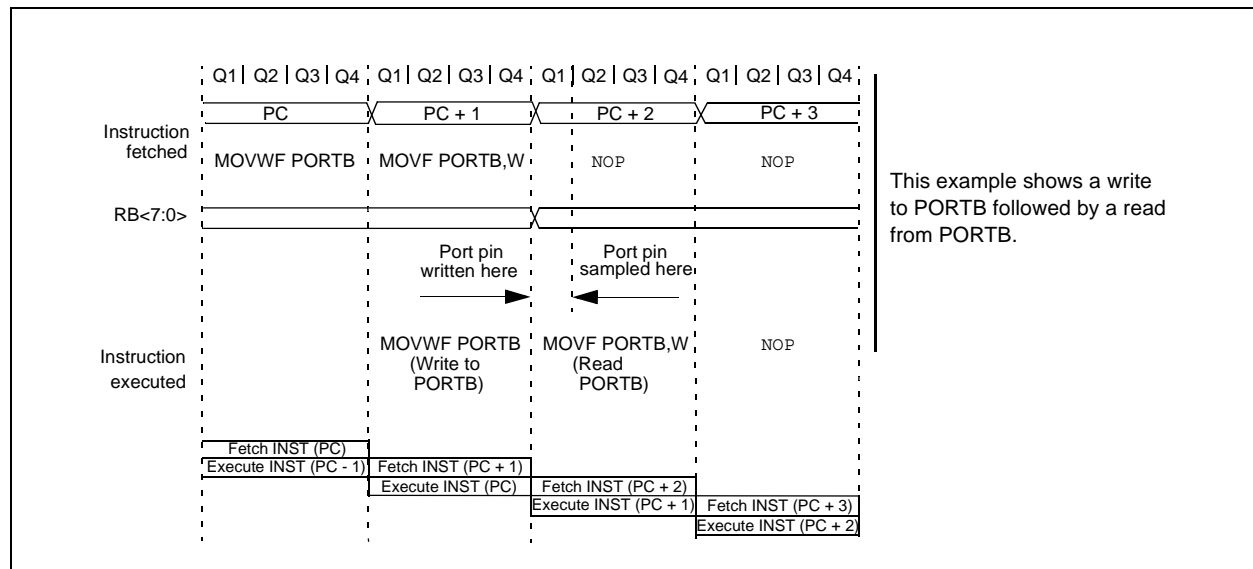
```

;Initial PORT Settings
;PORTB<7:4> Inputs
;PORTB<3:0> Outputs
;PORTB<7:6> have external pull-ups and are
;not connected to other circuitry
;
;           PORT latch PORT pins
;           -----
BCF  PORTB, 7 ;01pp pppp  11pp pppp
BCF  PORTB, 6 ;10pp pppp  11pp pppp
MOVLW H'3F'  ;
TRIS PORTB   ;10pp pppp  10pp pppp
;
;Note that the user may have expected the
pin
;values to be 00pp pppp. The 2nd BCF caused
;RB7 to be latched as the pin value (High).
    
```

6.8.2 SUCCESSIVE OPERATIONS ON I/O PORTS

The actual write to an I/O port happens at the end of an instruction cycle, whereas for reading, the data must be valid at the beginning of the instruction cycle (see Figure 6-2). Therefore, care must be exercised if a write followed by a read operation is carried out on the same I/O port. The sequence of instructions should allow the pin voltage to stabilize (load dependent) before the next instruction, which causes that file to be read into the CPU, is executed. Otherwise, the previous state of that pin may be read into the CPU rather than the new state. When in doubt, it is better to separate these instructions with a NOP or another instruction not accessing this I/O port.

FIGURE 6-2: SUCCESSIVE I/O OPERATION



PIC16F5X

NOTES:

7.0 TIMER0 MODULE AND TMR0 REGISTER

The Timer0 module has the following features:

- 8-bit Timer/Counter register, TMR0
 - Readable and writable
- 8-bit software programmable prescaler
- Internal or external clock select
 - Edge select for external clock

Figure 7-1 is a simplified block diagram of the Timer0 module.

Timer mode is selected by clearing the T0CS bit (OPTION<5>). In Timer mode, the Timer0 module will increment every instruction cycle (without prescaler). If TMR0 register is written, the increment is inhibited for the following two cycles (Figure 7-2 and Figure 7-3). The user can work around this by writing an adjusted value to the TMR0 register.

Counter mode is selected by setting the T0CS bit (OPTION<5>). In this mode, Timer0 will increment either on every rising or falling edge of pin T0CKI. The incrementing edge is determined by the source edge select bit T0SE (OPTION<4>). Clearing the T0SE bit selects the rising edge. Restrictions on the external clock input are discussed in detail in **Section 7.1 “Using Timer0 with an External Clock”**.

Note: The prescaler may be used by either the Timer0 module or the Watchdog Timer, but not both.

The prescaler assignment is controlled in software by the control bit PSA (OPTION<3>). Clearing the PSA bit will assign the prescaler to Timer0. The prescaler is not readable or writable. When the prescaler is assigned to the Timer0 module, prescale values of 1:2, 1:4, ..., 1:256 are selectable. **Section 7.2 “Prescaler”** details the operation of the prescaler.

A summary of registers associated with the Timer0 module is found in Table 7-1.

FIGURE 7-1: TIMER0 BLOCK DIAGRAM

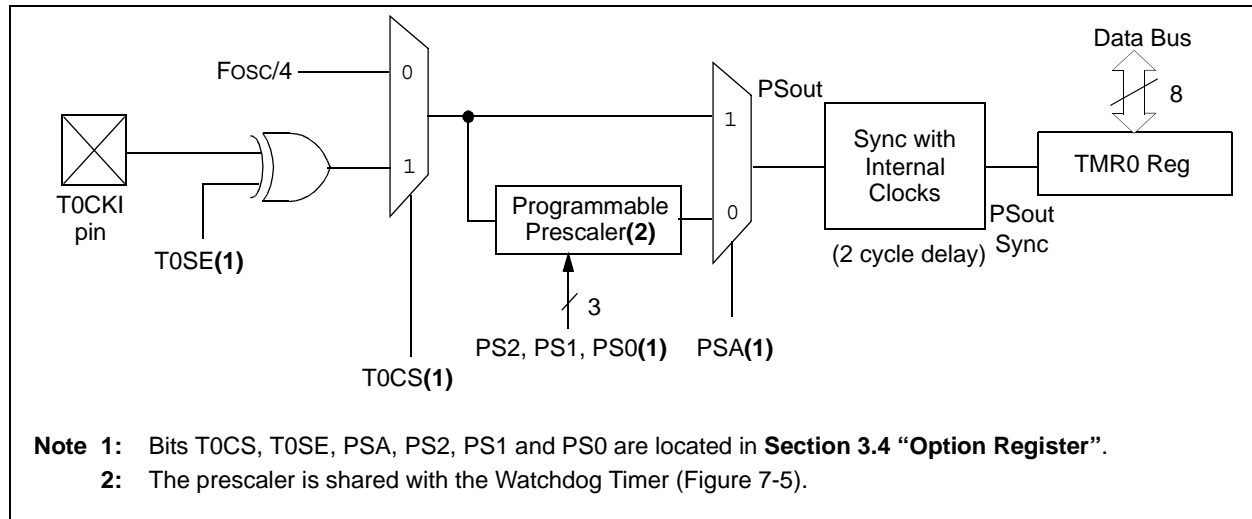
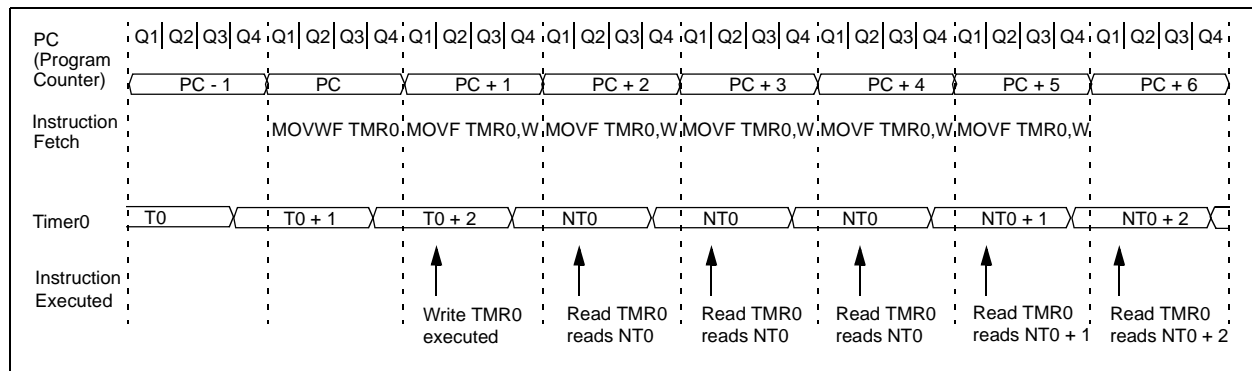


FIGURE 7-2: TIMER0 TIMING: INTERNAL CLOCK/NO PRESCALER



PIC16F5X

FIGURE 7-3: TIMER0 TIMING: INTERNAL CLOCK/PRESCALER 1:2

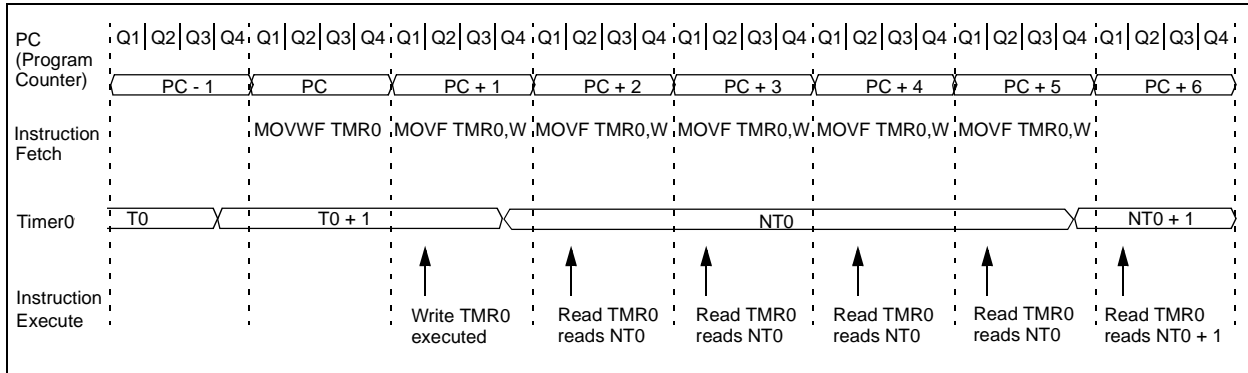


TABLE 7-1: REGISTERS ASSOCIATED WITH TIMER0

| Address | Name | Bit 7 | Bit 6 | Bit 5 | Bit 4 | Bit 3 | Bit 2 | Bit 1 | Bit 0 | Value on Power-on Reset | Value on MCLR and WDT Reset |
|---------|--------|--|-------|-------|-------|-------|-------|-------|-------|-------------------------|-----------------------------|
| 01h | TMR0 | Timer0 - 8-bit real-time clock/counter | | | | | | | | xxxx xxxx | uuuu uuuu |
| N/A | OPTION | — | — | T0CS | T0SE | PSA | PS2 | PS1 | PS0 | --11 1111 | --11 1111 |

Legend: Shaded cells not used by Timer0, - = unimplemented, x = unknown, u = unchanged.

7.1 Using Timer0 with an External Clock

When an external clock input is used for Timer0, it must meet certain requirements. The external clock requirement is due to internal phase clock (Tosc) synchronization. Also, there is a delay in the actual incrementing of Timer0 after synchronization.

7.1.1 EXTERNAL CLOCK SYNCHRONIZATION

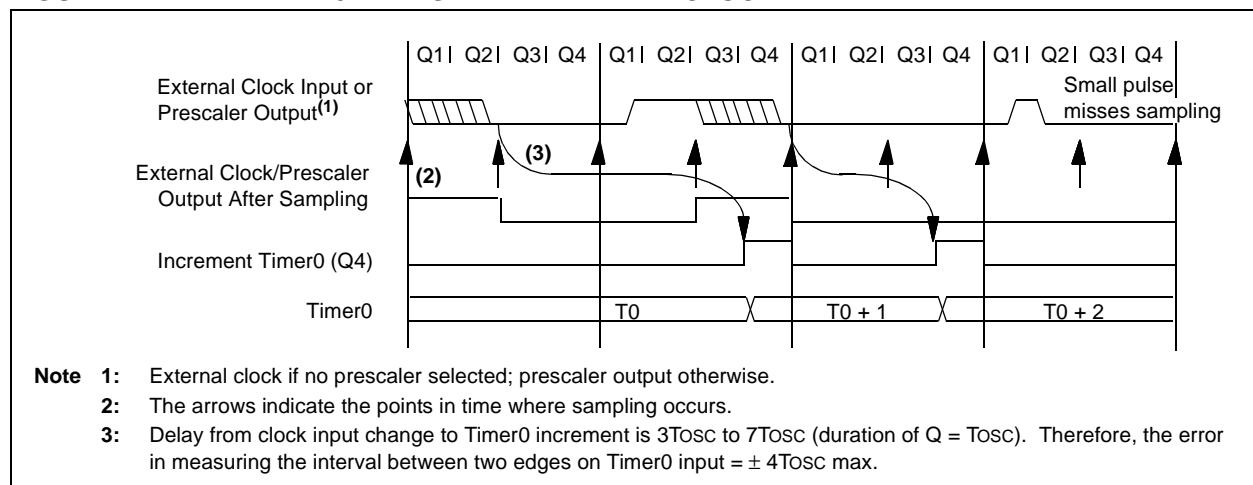
When no prescaler is used, the external clock is the Timer0 input. The synchronization of T0CKI with the internal phase clocks is accomplished by sampling the prescaler output on the Q2 and Q4 cycles of the internal phase clocks (Figure 7-4). Therefore, it is necessary for T0CKI to be high for at least 2Tosc (and a small RC delay of 20 ns) and low for at least 2Tosc (and a small RC delay of 20 ns). Refer to the electrical specification of the desired device.

When a prescaler is used, the external clock input is divided by the asynchronous ripple counter-type prescaler so that the prescaler output is symmetrical. For the external clock to meet the sampling requirement, the ripple counter must be taken into account. Therefore, it is necessary for T0CKI to have a period of at least 4Tosc (and a small RC delay of 40 ns) divided by the prescaler value. The only requirement on T0CKI high and low time is that they do not violate the minimum pulse width requirement of 10 ns. Refer to parameters 40, 41 and 42 in the electrical specification of the desired device.

7.1.2 TIMER0 INCREMENT DELAY

Since the prescaler output is synchronized with the internal clocks, there is a small delay from the time the external clock edge occurs to the time the Timer0 module is actually incremented. Figure 7-4 shows the delay from the external clock edge to the timer incrementing.

FIGURE 7-4: TIMER0 TIMING WITH EXTERNAL CLOCK



7.2 Prescaler

An 8-bit counter is available as a prescaler for the Timer0 module, or as a postscaler for the Watchdog Timer (WDT), respectively (**Section 8.2.1 “WDT Period”**). For simplicity, this counter is being referred to as “prescaler” throughout this data sheet. Note that the prescaler may be used by either the Timer0 module or the WDT, but not both. Thus, a prescaler assignment for the Timer0 module means that there is no prescaler for the WDT, and vice-versa.

The PSA and PS<2:0> bits (OPTION<3:0>) determine prescaler assignment and prescale ratio.

When assigned to the Timer0 module, all instructions writing to the TMR0 register (e.g., CLRF 1, MOVWF 1, BSF 1, x, etc.) will clear the prescaler. When assigned to WDT, a CLRWDT instruction will clear the prescaler along with the WDT. The prescaler is neither readable nor writable. On a Reset, the prescaler contains all ‘0’s.

PIC16F5X

7.2.1 SWITCHING PRESCALER ASSIGNMENT

The prescaler assignment is fully under software control (i.e., it can be changed “on-the-fly” during program execution). To avoid an unintended device Reset, the following instruction sequence (Example 7-1) must be executed when changing the prescaler assignment from Timer0 to the WDT.

EXAMPLE 7-1: CHANGING PRESCALER (TIMER0→WDT)

```

CLRWDT      ;Clear WDT
CLRF  TMR0  ;Clear TMR0 & ;Prescaler
MOVLW  B'00xx1111' ;Last 3 instructions
              ;in this example
OPTION      ;are required only if
              ;desired
CLRWDT      ;PS<2:0> are 000 or 001
MOVLW  B'00xx1xxx' ;Set Prescaler to
OPTION      ;desired WDT rate
    
```

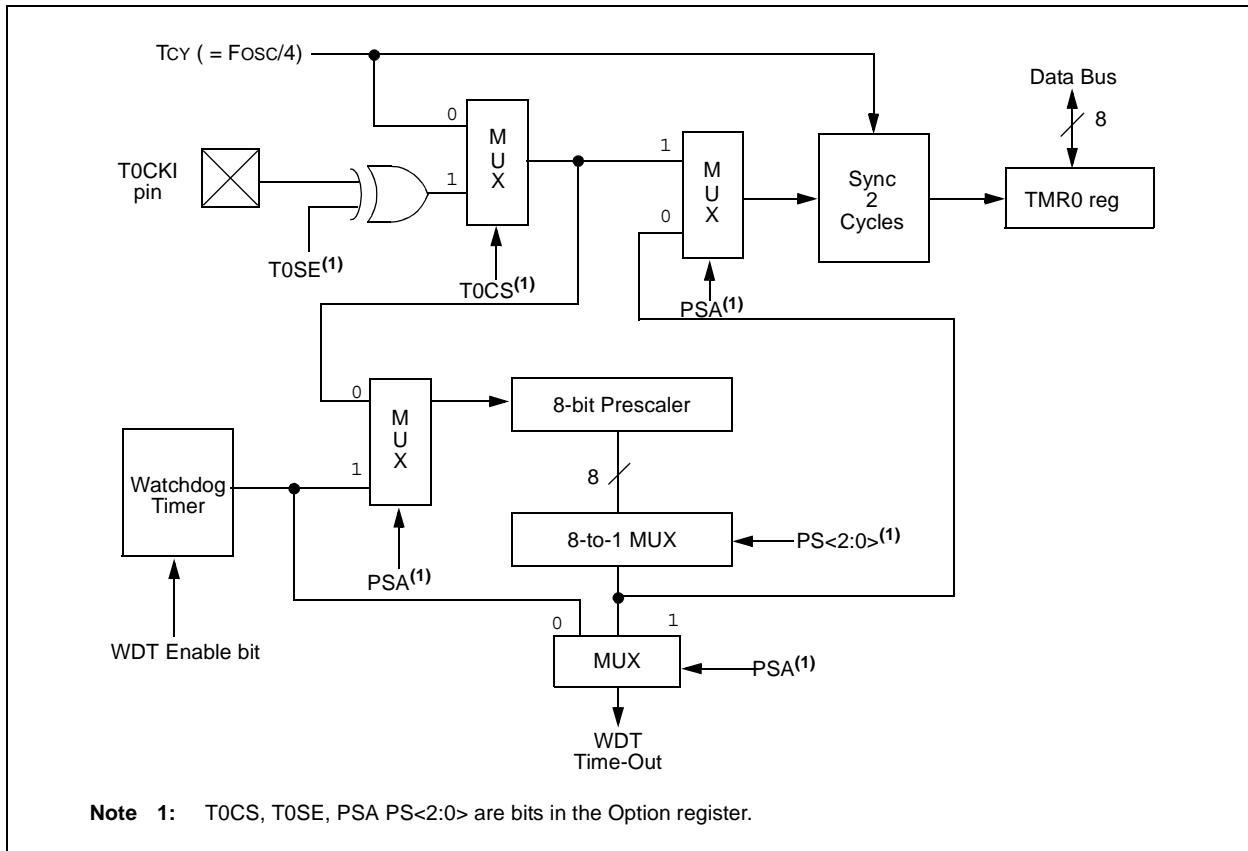
To change prescaler from the WDT to the Timer0 module, use the sequence shown in Example 7-2. This sequence must be used even if the WDT is disabled. A CLRWDT instruction should be executed before switching the prescaler.

EXAMPLE 7-2: CHANGING PRESCALER (WDT→TIMER0)

```

CLRWDT      ;Clear WDT and
              ;prescaler
MOVLW  B'xxxx0xxx' ;Select TMR0, new
              ;prescale value and
              ;clock source
OPTION
    
```

FIGURE 7-5: BLOCK DIAGRAM OF THE TIMER0/WDT PRESCALER



8.0 SPECIAL FEATURES OF THE CPU

What sets a microcontroller apart from other processors are special circuits that deal with the needs of real-time applications. The PIC16F5X family of microcontrollers have a host of such features intended to maximize system reliability, minimize cost through elimination of external components, provide power-saving operating modes and offer code protection. These features are:

- Oscillator Selection
- Reset
- Power-on Reset
- Device Reset Timer
- Watchdog Timer (WDT)
- Sleep
- Code protection
- User ID locations
- In-Circuit Serial Programming™ (ICSP™)

The PIC16F5X family has a Watchdog Timer which can be shut off only through Configuration bit WDTE. It runs off of its own RC oscillator for added reliability. There is an 18 ms delay provided by the Device Reset Timer (DRT), intended to keep the chip in Reset until the crystal oscillator is stable. With this timer on-chip, most applications need no external Reset circuitry.

The Sleep mode is designed to offer a very low-current Power-down mode. The user can wake-up from Sleep through external Reset or through a Watchdog Timer time-out. Several oscillator options are also made available to allow the part to fit the application. The RC oscillator option saves system cost, while the LP crystal option saves power. A set of Configuration bits are used to select various options.

8.1 Configuration Bits

Configuration bits can be programmed to select various device configurations. Two bits are for the selection of the oscillator type; one bit is the Watchdog Timer enable bit; one bit is for code protection for the PIC16F5X devices (Register 8-1).

REGISTER 8-1: CONFIGURATION WORD FOR PIC16F5X

| | | | | | | | | | | | |
|--------|---|---|---|---|---|---|---|-----------------|------|-------|-------|
| — | — | — | — | — | — | — | — | \overline{CP} | WDTE | FOSC1 | FOSC0 |
| bit 11 | | | | | | | | bit 0 | | | |

- bit 11-4: **Unimplemented:** Read as '1'
- bit 3: **CP:** Code Protection bit.
 1 = Code protection off
 0 = Code protection on
- bit 2: **WDTE:** Watchdog Timer Enable bit
 1 = WDT enabled
 0 = WDT disabled
- bit 1-0: **FOSC1:FOSC0:** Oscillator Selection bits
 00 = LP oscillator
 01 = XT oscillator
 10 = HS oscillator
 11 = RC oscillator

Note 1: Refer to the PIC16F54, PIC16F57 and PIC16F59 Programming Specifications to determine how to access the Configuration Word. These documents can be found on the Microchip web site at www.microchip.com.

| | | | |
|-------------------|------------------|------------------------------------|--------------------|
| Legend: | | | |
| R = Readable bit | W = Writable bit | U = Unimplemented bit, read as '0' | |
| -n = Value at POR | '1' = bit is set | '0' = bit is cleared | x = bit is unknown |

PIC16F5X

8.2 Watchdog Timer (WDT)

The Watchdog Timer (WDT) is a free running on-chip RC oscillator which does not require any external components. This RC oscillator is separate from the RC oscillator of the OSC1/CLKIN pin. That means that the WDT will run even if the clock on the OSC1/CLKIN and OSC2/CLKOUT pins have been stopped, for example, by execution of a SLEEP instruction. During normal operation or Sleep, a WDT Reset or Wake-up Reset generates a device Reset.

The \overline{TO} bit (STATUS<4>) will be cleared upon a Watchdog Timer Reset (Section 3.3 “STATUS Register”).

The WDT can be permanently disabled by programming the Configuration bit WDTE as a ‘0’ (Section 8.1 “Configuration Bits”). Refer to the PIC16F54 and PIC16F57 Programming Specifications to determine how to access the Configuration Word. These documents can be found on the Microchip web site at www.microchip.com.

8.2.1 WDT PERIOD

An 8-bit counter is available as a prescaler for the Timer0 module (Section 7.2 “Prescaler”), or as a postscaler for the Watchdog Timer (WDT), respectively. For simplicity, this counter is being referred to as “prescaler” throughout this data sheet.

Note: The prescaler may be used by either the Timer0 module or the WDT, but not both. Thus, a prescaler assignment for the Timer0 module means that there is no prescaler for the WDT, and vice-versa.

The PSA and PS<2:0> bits (OPTION<3:0>) determine prescaler assignment and prescale ratio (Section 3.4 “Option Register”).

The WDT has a nominal time-out period of 18 ms (with no prescaler). If a longer time-out period is desired, a prescaler with a division ratio of up to 1:128 can be assigned to the WDT (under software control) by writing to the Option register. Thus time-out, a period of a nominal 2.3 seconds, can be realized. These periods vary with temperature, VDD and part-to-part process variations (see Device Characterization).

Under worst case conditions (VDD = Min., Temperature = Max., WDT prescaler = 1:128), it may take several seconds before a WDT time-out occurs.

8.2.2 WDT PROGRAMMING CONSIDERATIONS

The CLRWDT instruction clears the WDT and the prescaler, if assigned to the WDT, and prevents it from timing out and generating a device Reset.

The SLEEP instruction resets the WDT and the prescaler, if assigned to the WDT. This gives the maximum Sleep time before a WDT Wake-up Reset.

FIGURE 8-1: WATCHDOG TIMER BLOCK DIAGRAM

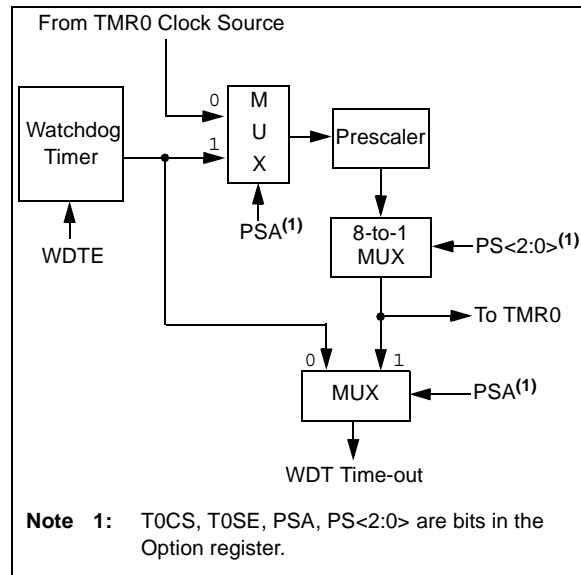


TABLE 8-1: SUMMARY OF REGISTERS ASSOCIATED WITH THE WATCHDOG TIMER

| Address | Name | Bit 7 | Bit 6 | Bit 5 | Bit 4 | Bit 3 | Bit 2 | Bit 1 | Bit 0 | Value on Power-on Reset | Value on MCLR and WDT Reset |
|---------|--------|-------|-------|-------|-------|-------|-------|-------|-------|-------------------------|-----------------------------|
| N/A | OPTION | — | — | T0CS | T0SE | PSA | PS2 | PS1 | PS0 | --11 1111 | --11 1111 |

Legend: Shaded cells not used by Watchdog Timer, - = unimplemented, read as ‘0’, u = unchanged

8.3 Power-Down Mode (Sleep)

A device may be powered down (Sleep) and later powered up (wake-up from Sleep).

8.3.1 SLEEP

The Power-down mode is entered by executing a `SLEEP` instruction.

If enabled, the Watchdog Timer will be cleared but keeps running, the \overline{TO} bit (`STATUS<4>`) is set, the \overline{PD} bit (`STATUS<3>`) is cleared and the oscillator driver is turned off. The I/O ports maintain the status they had before the `SLEEP` instruction was executed (driving high, driving low or high-impedance).

It should be noted that a Reset generated by a WDT time-out does not drive the \overline{MCLR}/V_{PP} pin low.

For lowest current consumption while powered down, the `T0CKI` input should be at V_{DD} or V_{SS} and the \overline{MCLR}/V_{PP} pin must be at a logic high level ($\overline{MCLR} = V_{IH}$).

8.3.2 WAKE-UP FROM SLEEP

The device can wake-up from Sleep through one of the following events:

1. An external Reset input on \overline{MCLR}/V_{PP} pin.
2. A Watchdog Timer time-out Reset (if WDT was enabled).

Both of these events cause a device Reset. The \overline{TO} and \overline{PD} bits can be used to determine the cause of device Reset. The \overline{TO} bit is cleared if a WDT time-out occurred (and caused wake-up). The \overline{PD} bit, which is set on power-up, is cleared when `SLEEP` is invoked.

The WDT is cleared when the device wakes from Sleep, regardless of the wake-up source.

8.4 Program Verification/Code Protection

If the code protection bit has not been programmed, the on-chip program memory can be read out for verification purposes.

Once code protection is enabled, all program memory locations above `0x3F` read all '0's. Program memory locations `0x00-0x3F` are always unprotected. The user ID locations and the Configuration Word read out in an unprotected fashion. It is possible to program the user ID locations and the Configuration Word after code protect is enabled.

8.5 User ID Locations

Four memory locations are designated as user ID locations where the user can store checksum or other code-identification numbers. These locations are not accessible during normal execution, but are readable and writable during Program/Verify.

Use only the lower 4 bits of the user ID locations and always program the upper 8 bits as '1's.

Note: Microchip will assign a unique pattern number for QTP and SQTP requests. This pattern number will be unique and traceable to the submitted code.

8.6 In-Circuit Serial Programming™ (ICSP™)

The PIC16F5X microcontrollers can be serially programmed while in the end application circuit. This is simply done with two lines for clock and data, and three other lines for power, ground and programming voltage. This allows customers to manufacture boards with unprogrammed devices and then program the microcontroller just before shipping the product. Thus, the most recent firmware or custom firmware can be programmed.

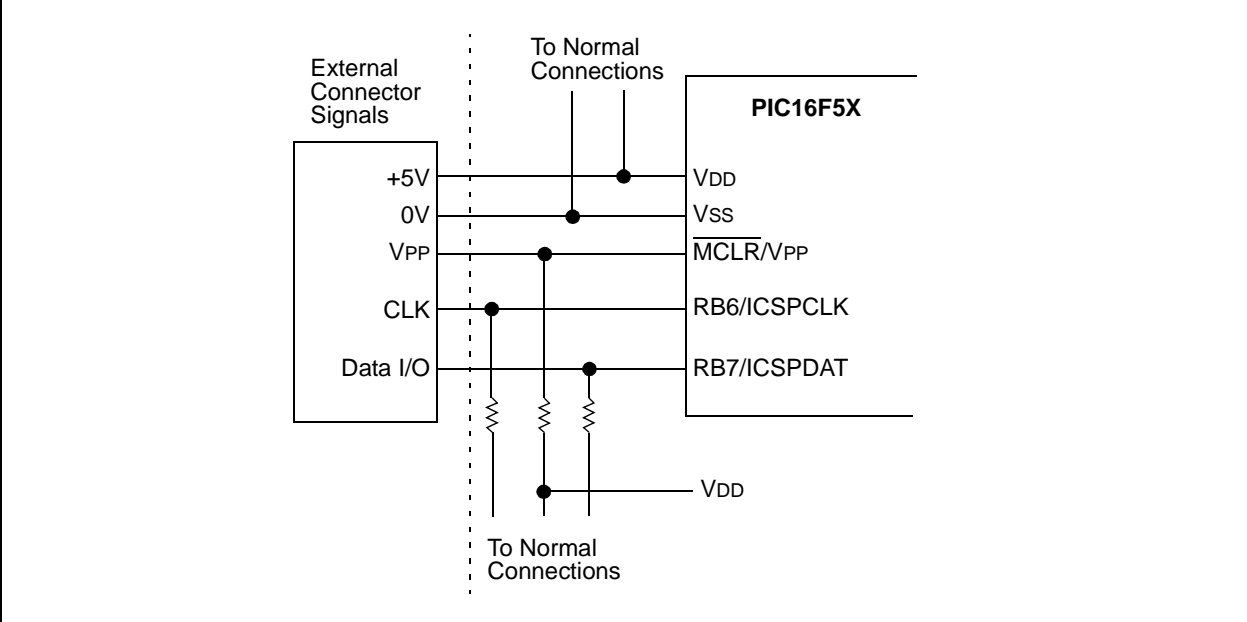
The device is placed into a Program/Verify mode by holding the RB6 and RB7 pins low while raising the \overline{MCLR} (V_{PP}) pin from V_{IL} to V_{IH} (see programming specification). RB6 becomes the programming clock and RB7 becomes the programming data. Both RB6 and RB7 are Schmitt Trigger inputs in this mode.

A 6-bit command is then supplied to the device. Depending on the command, 14 bits of program data are then supplied to or from the device, depending if the command was a Load or a Read. For complete details of serial programming, please refer to the respective Programming Specifications: "PIC16F54 Memory Programming Specification" (DS41207), "PIC16F57 Memory Programming Specification" (DS41208), and "PIC16F59 Memory Programming Specification" (DS41243).

A typical In-Circuit Serial Programming connection is shown in Figure 8-1.

PIC16F5X

FIGURE 8-1: TYPICAL IN-CIRCUIT SERIAL PROGRAMMING™ CONNECTION



9.0 INSTRUCTION SET SUMMARY

Each PIC16F5X instruction is a 12-bit word divided into an opcode, which specifies the instruction type, and one or more operands which further specify the operation of the instruction. The PIC16F5X instruction set summary in Table 9-2 groups the instructions into byte-oriented, bit-oriented, and literal and control operations. Table 9-1 shows the opcode field descriptions.

For **byte-oriented** instructions, 'f' represents a file register designator and 'd' represents a destination designator. The file register designator is used to specify which one of the 32 file registers in that bank is to be used by the instruction.

The destination designator specifies where the result of the operation is to be placed. If 'd' is '0', the result is placed in the W register. If 'd' is '1', the result is placed in the file register specified in the instruction.

For **bit-oriented** instructions, 'b' represents a bit field designator which selects the number of the bit affected by the operation, while 'f' represents the number of the file in which the bit is located.

For **literal and control** operations, 'k' represents an 8- or 9-bit constant or literal value.

TABLE 9-1: OPCODE FIELD DESCRIPTIONS

| Field | Description |
|-----------------|---|
| f | Register file address (0x00 to 0x1F) |
| W | Working register (accumulator) |
| b | Bit address within an 8-bit file register |
| k | Literal field, constant data or label |
| x | Don't care location (= 0 or 1) The assembler will generate code with x = 0. It is the recommended form of use for compatibility with all Microchip software tools. |
| d | Destination select; d = 0 (store result in W) d = 1 (store result in file register 'f') Default is d = 1 |
| label | Label name |
| TOS | Top-of-Stack |
| PC | Program Counter |
| WDT | Watchdog Timer Counter |
| \overline{TO} | Time-out bit |
| \overline{PD} | Power-down bit |
| dest | Destination, either the W register or the specified register file location |
| [] | Options |
| () | Contents |
| → | Assigned to |
| < > | Register bit field |
| ∈ | In the set of |
| <i>italics</i> | User defined term |

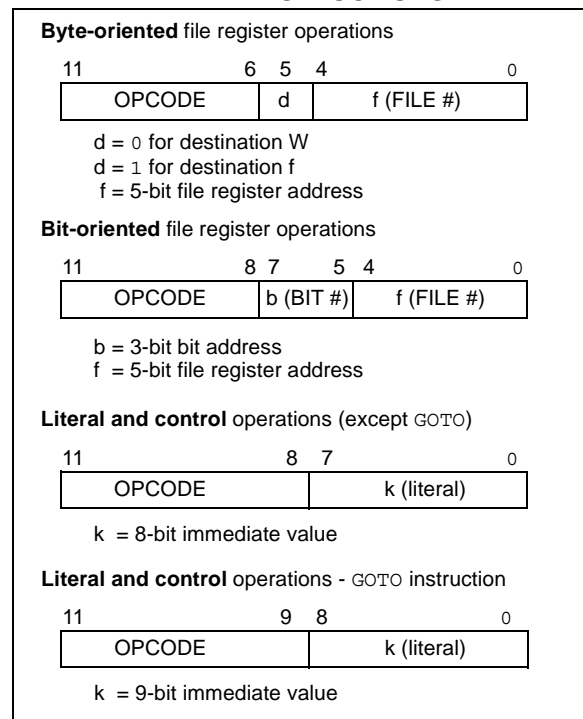
All instructions are executed within one single instruction cycle, unless a conditional test is true or the program counter is changed as a result of an instruction. In this case, the execution takes two instruction cycles. One instruction cycle consists of four oscillator periods. Thus, for an oscillator frequency of 4 MHz, the normal instruction execution time would be 1 μs. If a conditional test is true or the program counter is changed as a result of an instruction, the instruction execution time would be 2 μs.

Figure 9-1 shows the three general formats that the instructions can have. All examples in the figure use the following format to represent a hexadecimal number:

0xhhh

where 'h' signifies a hexadecimal digit.

FIGURE 9-1: GENERAL FORMAT FOR INSTRUCTIONS



PIC16F5X

TABLE 9-2: INSTRUCTION SET SUMMARY

| Mnemonic, Operands | Description | Cycles | 12-Bit Opcode | | | Status Affected | Notes |
|--|------------------------------|--------|---------------|------|------|--------------------|---------|
| | | | MSb | LSb | | | |
| ADDWF f, d | Add W and f | 1 | 0001 | 11df | ffff | C,DC,Z | 1, 2, 4 |
| ANDWF f, d | AND W with f | 1 | 0001 | 01df | ffff | Z | 2, 4 |
| CLRF f | Clear f | 1 | 0000 | 011f | ffff | Z | 4 |
| CLRW — | Clear W | 1 | 0000 | 0100 | 0000 | Z | |
| COMF f, d | Complement f | 1 | 0010 | 01df | ffff | Z | |
| DECF f, d | Decrement f | 1 | 0000 | 11df | ffff | Z | 2, 4 |
| DECFSZ f, d | Decrement f, Skip if 0 | 1(2) | 0010 | 11df | ffff | None | 2, 4 |
| INCF f, d | Increment f | 1 | 0010 | 10df | ffff | Z | 2, 4 |
| INCFSZ f, d | Increment f, Skip if 0 | 1(2) | 0011 | 11df | ffff | None | 2, 4 |
| IORWF f, d | Inclusive OR W with f | 1 | 0001 | 00df | ffff | Z | 2, 4 |
| MOVF f, d | Move f | 1 | 0010 | 00df | ffff | Z | 2, 4 |
| MOVWF f | Move W to f | 1 | 0000 | 001f | ffff | None | 1, 4 |
| NOP — | No Operation | 1 | 0000 | 0000 | 0000 | None | |
| RLF f, d | Rotate left f through Carry | 1 | 0011 | 01df | ffff | C | 2, 4 |
| RRF f, d | Rotate right f through Carry | 1 | 0011 | 00df | ffff | C | 2, 4 |
| SUBWF f, d | Subtract W from f | 1 | 0000 | 10df | ffff | C,DC,Z | 1, 2, 4 |
| SWAPF f, d | Swap f | 1 | 0011 | 10df | ffff | None | 2, 4 |
| XORWF f, d | Exclusive OR W with f | 1 | 0001 | 10df | ffff | Z | 2, 4 |
| BIT-ORIENTED FILE REGISTER OPERATIONS | | | | | | | |
| BCF f, b | Bit Clear f | 1 | 0100 | bbbf | ffff | None | 2, 4 |
| BSF f, b | Bit Set f | 1 | 0101 | bbbf | ffff | None | 2, 4 |
| BTFSC f, b | Bit Test f, Skip if Clear | 1(2) | 0110 | bbbf | ffff | None | |
| BTFSS f, b | Bit Test f, Skip if Set | 1(2) | 0111 | bbbf | ffff | None | |
| LITERAL AND CONTROL OPERATIONS | | | | | | | |
| ANDLW k | AND literal with W | 1 | 1110 | kkkk | kkkk | Z | |
| CALL k | Subroutine Call | 2 | 1001 | kkkk | kkkk | None | 1 |
| CLRWDT — | Clear Watchdog Timer | 1 | 0000 | 0000 | 0100 | TO, PD | |
| GOTO k | Unconditional branch | 2 | 101k | kkkk | kkkk | None | |
| IORLW k | Inclusive OR Literal with W | 1 | 1101 | kkkk | kkkk | Z | |
| MOVLW k | Move Literal to W | 1 | 1100 | kkkk | kkkk | None | |
| OPTION — | Load OPTION register | 1 | 0000 | 0000 | 0010 | None | |
| RETLW k | Return, place Literal in W | 2 | 1000 | kkkk | kkkk | None | |
| SLEEP — | Go into Standby mode | 1 | 0000 | 0000 | 0011 | TO, PD | |
| TRIS f | Load TRIS register | 1 | 0000 | 0000 | 0fff | None | 3 |
| XORLW k | Exclusive OR Literal to W | 1 | 1111 | kkkk | kkkk | Z | |

Note 1: The 9th bit of the program counter will be forced to a '0' by any instruction that writes to the PC except for GOTO (see Section 3.5 "Program Counter" for more on program counter).

- When an I/O register is modified as a function of itself (e.g., MOVF PORTB, 1), the value used will be that value present on the pins themselves. For example, if the data latch is '1' for a pin configured as input and is driven low by an external device, the data will be written back with a '0'.
- The instruction TRIS f, where f = 5, 6 or 7 causes the contents of the W register to be written to the tri-state latches of PORTA, B or C, respectively. A '1' forces the pin to a high-impedance state and disables the output buffers.
- If this instruction is executed on the TMR0 register (and, where applicable, d = 1), the prescaler will be cleared (if assigned to TMR0).

| ADDWF | Add W and f | | | |
|------------------|---|------|------|------|
| Syntax: | [<i>label</i>] ADDWF f, d | | | |
| Operands: | 0 ≤ f ≤ 31 d ∈ [0,1] | | | |
| Operation: | (W) + (f) → (dest) | | | |
| Status Affected: | C, DC, Z | | | |
| Encoding: | <table border="1"><tr><td>0001</td><td>11df</td><td>ffff</td></tr></table> | 0001 | 11df | ffff |
| 0001 | 11df | ffff | | |
| Description: | Add the contents of the W register and register 'f'. If 'd' is '0', the result is stored in the W register. If 'd' is '1', the result is stored back in register 'f'. | | | |
| Words: | 1 | | | |
| Cycles: | 1 | | | |
| Example: | ADDWF TEMP_REG, 0 | | | |
| | Before Instruction | | | |
| | W = 0x17 | | | |
| | TEMP_REG = 0xC2 | | | |
| | After Instruction | | | |
| | W = 0xD9 | | | |
| | TEMP_REG = 0xC2 | | | |

| ANDWF | AND W with f | | | |
|------------------|---|------|------|------|
| Syntax: | [<i>label</i>] ANDWF f, d | | | |
| Operands: | 0 ≤ f ≤ 31 d ∈ [0,1] | | | |
| Operation: | (W) .AND. (f) → (dest) | | | |
| Status Affected: | Z | | | |
| Encoding: | <table border="1"><tr><td>0001</td><td>01df</td><td>ffff</td></tr></table> | 0001 | 01df | ffff |
| 0001 | 01df | ffff | | |
| Description: | The contents of the W register are AND'ed with register 'f'. If 'd' is '0', the result is stored in the W register. If 'd' is '1', the result is stored back in register 'f'. | | | |
| Words: | 1 | | | |
| Cycles: | 1 | | | |
| Example: | ANDWF TEMP_REG, 1 | | | |
| | Before Instruction | | | |
| | W = 0x17 | | | |
| | TEMP_REG = 0xC2 | | | |
| | After Instruction | | | |
| | W = 0x17 | | | |
| | TEMP_REG = 0x02 | | | |

| ANDLW | AND literal with W | | | |
|------------------|---|------|------|------|
| Syntax: | [<i>label</i>] ANDLW k | | | |
| Operands: | 0 ≤ k ≤ 255 | | | |
| Operation: | (W).AND. (k) → (W) | | | |
| Status Affected: | Z | | | |
| Encoding: | <table border="1"><tr><td>1110</td><td>kkkk</td><td>kkkk</td></tr></table> | 1110 | kkkk | kkkk |
| 1110 | kkkk | kkkk | | |
| Description: | The contents of the W register are AND'ed with the eight-bit literal 'k'. The result is placed in the W register. | | | |
| Words: | 1 | | | |
| Cycles: | 1 | | | |
| Example: | ANDLW H'5F' | | | |
| | Before Instruction | | | |
| | W = 0xA3 | | | |
| | After Instruction | | | |
| | W = 0x03 | | | |

| BCF | Bit Clear f | | | |
|------------------|--|------|------|------|
| Syntax: | [<i>label</i>] BCF f, b | | | |
| Operands: | 0 ≤ f ≤ 31 0 ≤ b ≤ 7 | | | |
| Operation: | 0 → (f) | | | |
| Status Affected: | None | | | |
| Encoding: | <table border="1"><tr><td>0100</td><td>bbbf</td><td>ffff</td></tr></table> | 0100 | bbbf | ffff |
| 0100 | bbbf | ffff | | |
| Description: | Bit 'b' in register 'f' is cleared. | | | |
| Words: | 1 | | | |
| Cycles: | 1 | | | |
| Example: | BCF FLAG_REG, 7 | | | |
| | Before Instruction | | | |
| | FLAG_REG = 0xC7 | | | |
| | After Instruction | | | |
| | FLAG_REG = 0x47 | | | |

PIC16F5X

BSF **Bit Set f**

Syntax: [*label*] BSF f, b

Operands: $0 \leq f \leq 31$
 $0 \leq b \leq 7$

Operation: $1 \rightarrow (f)$

Status Affected: None

Encoding:

| | | |
|------|-------|------|
| 0101 | bbbff | ffff |
|------|-------|------|

Description: Bit 'b' in register 'f' is set.

Words: 1

Cycles: 1

Example: BSF FLAG_REG, 7

Before Instruction
 FLAG_REG = 0x0A
After Instruction
 FLAG_REG = 0x8A

BTFSC **Bit Test f, Skip if Clear**

Syntax: [*label*] BTFSC f, b

Operands: $0 \leq f \leq 31$
 $0 \leq b \leq 7$

Operation: skip if (f) = 0

Status Affected: None

Encoding:

| | | |
|------|-------|------|
| 0110 | bbbff | ffff |
|------|-------|------|

Description: If bit 'b' in register 'f' is '0', then the next instruction is skipped.
If bit 'b' is '0', then the next instruction fetched during the current instruction execution is discarded and a NOP is executed instead, making this a two-cycle instruction.

Words: 1

Cycles: 1(2)

Example: HERE BTFSC FLAG, 1
 FALSE GOTO PROCESS_CODE
 TRUE •
 •
 •

Before Instruction
 PC = address (HERE)
After Instruction
 if FLAG<1> = 0,
 PC = address (TRUE);
 if FLAG<1> = 1,
 PC = address (FALSE)

BTFSS **Bit Test f, Skip if Set**

Syntax: [*label*] BTFSS f, b

Operands: $0 \leq f \leq 31$
 $0 \leq b < 7$

Operation: skip if (f) = 1

Status Affected: None

Encoding:

| | | |
|------|-------|------|
| 0111 | bbbff | ffff |
|------|-------|------|

Description: If bit 'b' in register 'f' is '1', then the next instruction is skipped.
If bit 'b' is '1', then the next instruction fetched during the current instruction execution is discarded and a NOP is executed instead, making this a two-cycle instruction.

Words: 1

Cycles: 1(2)

Example: HERE BTFSS FLAG, 1
 FALSE GOTO PROCESS_CODE
 TRUE •
 •
 •

Before Instruction
 PC = address (HERE)
After Instruction
 If FLAG<1> = 0,
 PC = address (FALSE);
 if FLAG<1> = 1,
 PC = address (TRUE)

CALL Subroutine Call

Syntax: [*label*] CALL k

Operands: $0 \leq k \leq 255$

Operation: (PC) + 1 → TOS;
k → PC<7:0>;
(Status<6:5>) → PC<10:9>;
0 → PC<8>

Status Affected: None

Encoding:

| | | |
|------|------|------|
| 1001 | kkkk | kkkk |
|------|------|------|

Description: Subroutine call. First, return address (PC + 1) is pushed onto the stack. The eight-bit immediate address is loaded into PC bits <7:0>. The upper bits PC<10:9> are loaded from STATUS<6:5>, PC<8> is cleared. CALL is a two-cycle instruction.

Words: 1

Cycles: 2

Example: HERE CALL THERE

Before Instruction
PC = address (HERE)

After Instruction
PC = address (THERE)
TOS = address (HERE + 1)

CLRF Clear f

Syntax: [*label*] CLRF f

Operands: $0 \leq f \leq 31$

Operation: 00h → (f);
1 → Z

Status Affected: Z

Encoding:

| | | |
|------|------|------|
| 0000 | 011f | ffff |
|------|------|------|

Description: The contents of register 'f' are cleared and the Z bit is set.

Words: 1

Cycles: 1

Example: CLRF FLAG_REG

Before Instruction
FLAG_REG = 0x5A

After Instruction
FLAG_REG = 0x00
Z = 1

CLRW Clear W

Syntax: [*label*] CLRW

Operands: None

Operation: 00h → (W);
1 → Z

Status Affected: Z

Encoding:

| | | |
|------|------|------|
| 0000 | 0100 | 0000 |
|------|------|------|

Description: The W register is cleared. Zero bit (Z) is set.

Words: 1

Cycles: 1

Example: CLRW

Before Instruction
W = 0x5A

After Instruction
W = 0x00
Z = 1

CLRWDWDT Clear Watchdog Timer

Syntax: [*label*] CLRWDWDT

Operands: None

Operation: 00h → WDT;
0 → WDT prescaler (if assigned);
1 → \overline{TO} ;
1 → PD

Status Affected: \overline{TO} , PD

Encoding:

| | | |
|------|------|------|
| 0000 | 0000 | 0100 |
|------|------|------|

Description: The CLRWDWDT instruction resets the WDT. It also resets the prescaler if the prescaler is assigned to the WDT and not Timer0. Status bits \overline{TO} and PD are set.

Words: 1

Cycles: 1

Example: CLRWDWDT

Before Instruction
WDT counter = ?

After Instruction
WDT counter = 0x00
WDT prescaler = 0
 \overline{TO} = 1
PD = 1

PIC16F5X

COMF Complement f

Syntax: [*label*] COMF f, d

Operands: $0 \leq f \leq 31$
 $d \in [0,1]$

Operation: $(\bar{f}) \rightarrow (\text{dest})$

Status Affected: Z

Encoding:

| | | |
|------|------|------|
| 0010 | 01df | ffff |
|------|------|------|

Description: The contents of register 'f' are complemented. If 'd' is '0', the result is stored in the W register. If 'd' is '1', the result is stored back in register 'f'.

Words: 1

Cycles: 1

Example: COMF REG1, 0

```

Before Instruction
  REG1  = 0x13
After Instruction
  REG1  = 0x13
  W     = 0xEC
  
```

DECFSZ Decrement f

Syntax: [*label*] DECFSZ f, d

Operands: $0 \leq f \leq 31$
 $d \in [0,1]$

Operation: $(f) - 1 \rightarrow (\text{dest})$

Status Affected: Z

Encoding:

| | | |
|------|------|------|
| 0000 | 11df | ffff |
|------|------|------|

Description: Decrement register 'f'. If 'd' is '0', the result is stored in the W register. If 'd' is '1', the result is stored back in register 'f'.

Words: 1

Cycles: 1

Example: DECFSZ CNT, 1

```

Before Instruction
  CNT   = 0x01
  Z     = 0
After Instruction
  CNT   = 0x00
  Z     = 1
  
```

DECFSZ Decrement f, Skip if 0

Syntax: [*label*] DECFSZ f, d

Operands: $0 \leq f \leq 31$
 $d \in [0,1]$

Operation: $(f) - 1 \rightarrow d$; skip if result = 0

Status Affected: None

Encoding:

| | | |
|------|------|------|
| 0010 | 11df | ffff |
|------|------|------|

Description: The contents of register 'f' are decremented. If 'd' is '0', the result is placed in the W register. If 'd' is '1', the result is placed back in register 'f'. If the result is '0', the next instruction, which is already fetched, is discarded and a NOP is executed instead making it a two-cycle instruction.

Words: 1

Cycles: 1(2)

Example:

```

HERE      DECFSZ  CNT, 1
          GOTO    LOOP
CONTINUE  •
          •
          •
  
```

```

Before Instruction
  PC     = address (HERE)
After Instruction
  CNT    = CNT - 1;
  if CNT = 0,
  PC     = address (CONTINUE);
  if CNT ≠ 0,
  PC     = address (HERE+1)
  
```


GOTO **Unconditional Branch**

Syntax: [*label*] GOTO k

Operands: $0 \leq k \leq 511$

Operation: $k \rightarrow PC<8:0>$;
 $STATUS<6:5> \rightarrow PC<10:9>$

Status Affected: None

Encoding:

| | | |
|------|------|------|
| 101k | kkkk | kkkk |
|------|------|------|

Description: GOTO is an unconditional branch. The 9-bit immediate value is loaded into PC bits <8:0>. The upper bits of PC are loaded from STATUS<6:5>. GOTO is a two-cycle instruction.

Words: 1

Cycles: 2

Example: GOTO THERE

After Instruction
 PC = address (THERE)

INCF **Increment f**

Syntax: [*label*] INCF f, d

Operands: $0 \leq f \leq 31$
 $d \in [0,1]$

Operation: $(f) + 1 \rightarrow (dest)$

Status Affected: Z

Encoding:

| | | |
|------|------|------|
| 0010 | 10df | ffff |
|------|------|------|

Description: The contents of register 'f' are incremented. If 'd' is '0', the result is placed in the W register. If 'd' is '1', the result is placed back in register 'f'.

Words: 1

Cycles: 1

Example: INCF CNT, 1

Before Instruction
 CNT = 0xFF
 Z = 0

After Instruction
 CNT = 0x00
 Z = 1

INCFSZ **Increment f, Skip if 0**

Syntax: [*label*] INCFSZ f, d

Operands: $0 \leq f \leq 31$
 $d \in [0,1]$

Operation: $(f) + 1 \rightarrow (dest)$, skip if result = 0

Status Affected: None

Encoding:

| | | |
|------|------|------|
| 0011 | 11df | ffff |
|------|------|------|

Description: The contents of register 'f' are incremented. If 'd' is '0', the result is placed in the W register. If 'd' is '1', the result is placed back in register 'f'. If the result is '0', then the next instruction, which is already fetched, is discarded and a NOP is executed instead making it a two-cycle instruction.

Words: 1

Cycles: 1(2)

Example: HERE INCFSZ CNT, 1
 GOTO LOOP
 CONTINUE •
 •
 •

Before Instruction
 PC = address (HERE)

After Instruction
 CNT = CNT + 1;
 if CNT = 0,
 PC = address (CONTINUE);
 if CNT \neq 0,
 PC = address (HERE + 1)

PIC16F5X

IORLW **Inclusive OR literal with W**

Syntax: [*label*] IORLW *k*
Operands: $0 \leq k \leq 255$
Operation: (W).OR. (k) → (W)
Status Affected: Z
Encoding:

| | | |
|------|------|------|
| 1101 | kkkk | kkkk |
|------|------|------|

Description: The contents of the W register are OR'ed with the eight-bit literal 'k'. The result is placed in the W register.
Words: 1
Cycles: 1
Example: IORLW 0x35

Before Instruction
W = 0x9A
After Instruction
W = 0xBF
Z = 0

IORWF **Inclusive OR W with f**

Syntax: [*label*] IORWF *f*, *d*
Operands: $0 \leq f \leq 31$
 $d \in [0,1]$
Operation: (W).OR. (f) → (dest)
Status Affected: Z
Encoding:

| | | |
|------|------|------|
| 0001 | 00df | ffff |
|------|------|------|

Description: Inclusive OR the W register with register 'f'. If 'd' is '0', the result is placed in the W register. If 'd' is '1', the result is placed back in register 'f'.
Words: 1
Cycles: 1
Example: IORWF RESULT, 0

Before Instruction
RESULT = 0x13
W = 0x91
After Instruction
RESULT = 0x13
W = 0x93
Z = 0

MOVF **Move f**

Syntax: [*label*] MOVF *f*, *d*
Operands: $0 \leq f \leq 31$
 $d \in [0,1]$
Operation: (f) → (dest)
Status Affected: Z
Encoding:

| | | |
|------|------|------|
| 0010 | 00df | ffff |
|------|------|------|

Description: The contents of register 'f' is moved to destination 'd'. If 'd' is '0', destination is the W register. If 'd' is '1', the destination is file register 'f'. 'd' is '1' is useful to test a file register since Status flag Z is affected.
Words: 1
Cycles: 1
Example: MOVF FSR, 0

After Instruction
W = value in FSR register

MOVLW **Move Literal to W**

Syntax: [*label*] MOVLW *k*
Operands: $0 \leq k \leq 255$
Operation: $k \rightarrow (W)$
Status Affected: None
Encoding:

| | | |
|------|------|------|
| 1100 | kkkk | kkkk |
|------|------|------|

Description: The eight-bit literal 'k' is loaded into the W register.
Words: 1
Cycles: 1
Example: MOVLW 0x5A

After Instruction
W = 0x5A

MOVWF Move W to f

Syntax: [*label*] MOVWF f

Operands: 0 ≤ f ≤ 31

Operation: (W) → (f)

Status Affected: None

Encoding:

| | | |
|------|------|------|
| 0000 | 001f | ffff |
|------|------|------|

Description: Move data from the W register to register 'f'.

Words: 1

Cycles: 1

Example: MOVWF TEMP_REG

Before Instruction

TEMP_REG = 0xFF

W = 0x4F

After Instruction

TEMP_REG = 0x4F

W = 0x4F

NOP No Operation

Syntax: [*label*] NOP

Operands: None

Operation: No operation

Status Affected: None

Encoding:

| | | |
|------|------|------|
| 0000 | 0000 | 0000 |
|------|------|------|

Description: No operation.

Words: 1

Cycles: 1

Example: NOP

OPTION Load OPTION Register

Syntax: [*label*] OPTION

Operands: None

Operation: (W) → OPTION

Status Affected: None

Encoding:

| | | |
|------|------|------|
| 0000 | 0000 | 0010 |
|------|------|------|

Description: The content of the W register is loaded into the Option register.

Words: 1

Cycles: 1

Example: OPTION

Before Instruction

W = 0x07

After Instruction

OPTION = 0x07

RETLW Return with Literal in W

Syntax: [*label*] RETLW k

Operands: 0 ≤ k ≤ 255

Operation: k → (W);
TOS → PC

Status Affected: None

Encoding:

| | | |
|------|------|------|
| 1000 | kkkk | kkkk |
|------|------|------|

Description: The W register is loaded with the eight-bit literal 'k'. The program counter is loaded from the top of the stack (the return address). This is a two-cycle instruction.

Words: 1

Cycles: 2

Example: CALL TABLE;W contains

 ;table offset

 ;value.

• ;W now has table

• ;value.

TABLE

ADDWF PC ;W = offset

RETLW k1 ;Begin table

RETLW k2 ;

•

•

•

RETLW kn ; End of table

Before Instruction

W = 0x07

After Instruction

W = value of k8

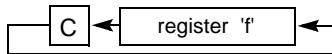
PIC16F5X

RLF Rotate Left f through Carry

Syntax: [*label*] RLF f, d
 Operands: $0 \leq f \leq 31$
 $d \in [0,1]$
 Operation: See description below
 Status Affected: C
 Encoding:

| | | |
|------|------|------|
| 0011 | 01df | ffff |
|------|------|------|

 Description: The contents of register 'f' are rotated one bit to the left through the Carry Flag (STATUS<0>). If 'd' is '0', the result is placed in the W register. If 'd' is '1', the result is stored back in register 'f'.



Words: 1
 Cycles: 1

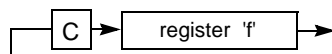
Example: RLF REG1, 0
 Before Instruction
 REG1 = 1110 0110
 C = 0
 After Instruction
 REG1 = 1110 0110
 W = 1100 1100
 C = 1

RRF Rotate Right f through Carry

Syntax: [*label*] RRF f, d
 Operands: $0 \leq f \leq 31$
 $d \in [0,1]$
 Operation: See description below
 Status Affected: C
 Encoding:

| | | |
|------|------|------|
| 0011 | 00df | ffff |
|------|------|------|

 Description: The contents of register 'f' are rotated one bit to the right through the Carry Flag (STATUS<0>). If 'd' is '0', the result is placed in the W register. If 'd' is '1', the result is placed back in register 'f'.



Words: 1
 Cycles: 1

Example: RRF REG1, 0
 Before Instruction
 REG1 = 1110 0110
 C = 0
 After Instruction
 REG1 = 1110 0110
 W = 0111 0011
 C = 0

Sleep Go into Standby Mode

Syntax: [*label*] Sleep
 Operands: None
 Operation: 00h → WDT;
 0 → WDT prescaler; if assigned
 1 → \overline{TO} ;
 0 → \overline{PD}
 Status Affected: \overline{TO} , \overline{PD}
 Encoding:

| | | |
|------|------|------|
| 0000 | 0000 | 0011 |
|------|------|------|

 Description: Time-out Status bit (\overline{TO}) is set. The power-down Status bit (\overline{PD}) is cleared. The WDT and its prescaler are cleared. The processor is put into Sleep mode with the oscillator stopped. See section on Sleep for more details.

Words: 1
 Cycles: 1
Example: SLEEP

SUBWF Subtract W from f

Syntax: [*label*] SUBWF f, d

Operands: $0 \leq f \leq 31$
 $d \in [0,1]$

Operation: $(f) - (W) \rightarrow (\text{dest})$

Status Affected: C, DC, Z

Encoding:

| | | |
|------|------|------|
| 0000 | 10df | ffff |
|------|------|------|

Description: Subtract (2's complement method) the W register from register 'f'. If 'd' is '0', the result is stored in the W register. If 'd' is '1', the result is stored back in register 'f'.

Words: 1

Cycles: 1

Example 1: SUBWF REG1, 1

Before Instruction

| | | |
|------|---|---|
| REG1 | = | 3 |
| W | = | 2 |
| C | = | ? |

After Instruction

| | | |
|------|---|------------------------|
| REG1 | = | 1 |
| W | = | 2 |
| C | = | 1 ; result is positive |

Example 2:

Before Instruction

| | | |
|------|---|---|
| REG1 | = | 2 |
| W | = | 2 |
| C | = | ? |

After Instruction

| | | |
|------|---|--------------------|
| REG1 | = | 0 |
| W | = | 2 |
| C | = | 1 ; result is zero |

Example 3:

Before Instruction

| | | |
|------|---|---|
| REG1 | = | 1 |
| W | = | 2 |
| C | = | ? |

After Instruction

| | | |
|------|---|------------------------|
| REG1 | = | 0xFF |
| W | = | 2 |
| C | = | 0 ; result is negative |

SWAPF Swap Nibbles in f

Syntax: [*label*] SWAPF f, d

Operands: $0 \leq f \leq 31$
 $d \in [0,1]$

Operation: $(f<3:0>) \rightarrow (\text{dest}<7:4>);$
 $(f<7:4>) \rightarrow (\text{dest}<3:0>)$

Status Affected: None

Encoding:

| | | |
|------|------|------|
| 0011 | 10df | ffff |
|------|------|------|

Description: The upper and lower nibbles of register 'f' are exchanged. If 'd' is '0', the result is placed in W register. If 'd' is '1', the result is placed in register 'f'.

Words: 1

Cycles: 1

Example: SWAPF REG1, 0

Before Instruction

| | | |
|------|---|------|
| REG1 | = | 0xA5 |
|------|---|------|

After Instruction

| | | |
|------|---|------|
| REG1 | = | 0xA5 |
| W | = | 0x5A |

TRIS Load TRIS Register

Syntax: [*label*] TRIS f

Operands: $f = 5, 6, 7, 8 \text{ or } 9$

Operation: $(W) \rightarrow \text{TRIS register } f$

Status Affected: None

Encoding:

| | | |
|------|------|------|
| 0000 | 0000 | 0fff |
|------|------|------|

Description: TRIS register 'f' ($f = 5, 6 \text{ or } 7$) is loaded with the contents of the W register.

Words: 1

Cycles: 1

Example: TRIS PORTB

Before Instruction

| | | |
|---|---|------|
| W | = | 0xA5 |
|---|---|------|

After Instruction

| | | |
|-------|---|------|
| TRISB | = | 0xA5 |
|-------|---|------|

PIC16F5X

XORLW Exclusive OR literal with W

Syntax: [*label*] XORLW *k*

Operands: $0 \leq k \leq 255$

Operation: (W) .XOR. *k* \rightarrow (W)

Status Affected: Z

Encoding:

| | | |
|------|------|------|
| 1111 | kkkk | kkkk |
|------|------|------|

Description: The contents of the W register are XOR'ed with the eight-bit literal 'k'. The result is placed in the W register.

Words: 1

Cycles: 1

Example: XORLW 0xAF

Before Instruction

W = 0xB5

After Instruction

W = 0x1A

XORWF Exclusive OR W with f

Syntax: [*label*] XORWF *f*, *d*

Operands: $0 \leq f \leq 31$
 $d \in [0,1]$

Operation: (W) .XOR. (*f*) \rightarrow (*dest*)

Status Affected: Z

Encoding:

| | | |
|------|------|------|
| 0001 | 10df | ffff |
|------|------|------|

Description: Exclusive OR the contents of the W register with register 'f'. If 'd' is '0', the result is stored in the W register. If 'd' is '1', the result is stored back in register 'f'.

Words: 1

Cycles: 1

Example: XORWF REG, 1

Before Instruction

REG = 0xAF

W = 0xB5

After Instruction

REG = 0x1A

W = 0xB5

10.0 DEVELOPMENT SUPPORT

The PIC[®] microcontrollers are supported with a full range of hardware and software development tools:

- Integrated Development Environment
 - MPLAB[®] IDE Software
- Assemblers/Compilers/Linkers
 - MPASM[™] Assembler
 - MPLAB C18 and MPLAB C30 C Compilers
 - MPLINK[™] Object Linker/
MPLIB[™] Object Librarian
 - MPLAB ASM30 Assembler/Linker/Library
- Simulators
 - MPLAB SIM Software Simulator
- Emulators
 - MPLAB ICE 2000 In-Circuit Emulator
 - MPLAB REAL ICE[™] In-Circuit Emulator
- In-Circuit Debugger
 - MPLAB ICD 2
- Device Programmers
 - PICSTART[®] Plus Development Programmer
 - MPLAB PM3 Device Programmer
 - PICKit[™] 2 Development Programmer
- Low-Cost Demonstration and Development Boards and Evaluation Kits

10.1 MPLAB Integrated Development Environment Software

The MPLAB IDE software brings an ease of software development previously unseen in the 8/16-bit microcontroller market. The MPLAB IDE is a Windows[®] operating system-based application that contains:

- A single graphical interface to all debugging tools
 - Simulator
 - Programmer (sold separately)
 - Emulator (sold separately)
 - In-Circuit Debugger (sold separately)
- A full-featured editor with color-coded context
- A multiple project manager
- Customizable data windows with direct edit of contents
- High-level source code debugging
- Visual device initializer for easy register initialization
- Mouse over variable inspection
- Drag and drop variables from source to watch windows
- Extensive on-line help
- Integration of select third party tools, such as HI-TECH Software C Compilers and IAR C Compilers

The MPLAB IDE allows you to:

- Edit your source files (either assembly or C)
- One touch assemble (or compile) and download to PIC MCU emulator and simulator tools (automatically updates all project information)
- Debug using:
 - Source files (assembly or C)
 - Mixed assembly and C
 - Machine code

MPLAB IDE supports multiple debugging tools in a single development paradigm, from the cost-effective simulators, through low-cost in-circuit debuggers, to full-featured emulators. This eliminates the learning curve when upgrading to tools with increased flexibility and power.

PIC16F5X

10.2 MPASM Assembler

The MPASM Assembler is a full-featured, universal macro assembler for all PIC MCUs.

The MPASM Assembler generates relocatable object files for the MPLINK Object Linker, Intel® standard HEX files, MAP files to detail memory usage and symbol reference, absolute LST files that contain source lines and generated machine code and COFF files for debugging.

The MPASM Assembler features include:

- Integration into MPLAB IDE projects
- User-defined macros to streamline assembly code
- Conditional assembly for multi-purpose source files
- Directives that allow complete control over the assembly process

10.3 MPLAB C18 and MPLAB C30 C Compilers

The MPLAB C18 and MPLAB C30 Code Development Systems are complete ANSI C compilers for Microchip's PIC18 and PIC24 families of microcontrollers and the dsPIC30 and dsPIC33 family of digital signal controllers. These compilers provide powerful integration capabilities, superior code optimization and ease of use not found with other compilers.

For easy source level debugging, the compilers provide symbol information that is optimized to the MPLAB IDE debugger.

10.4 MPLINK Object Linker/ MPLIB Object Librarian

The MPLINK Object Linker combines relocatable objects created by the MPASM Assembler and the MPLAB C18 C Compiler. It can link relocatable objects from precompiled libraries, using directives from a linker script.

The MPLIB Object Librarian manages the creation and modification of library files of precompiled code. When a routine from a library is called from a source file, only the modules that contain that routine will be linked in with the application. This allows large libraries to be used efficiently in many different applications.

The object linker/librarian features include:

- Efficient linking of single libraries instead of many smaller files
- Enhanced code maintainability by grouping related modules together
- Flexible creation of libraries with easy module listing, replacement, deletion and extraction

10.5 MPLAB ASM30 Assembler, Linker and Librarian

MPLAB ASM30 Assembler produces relocatable machine code from symbolic assembly language for dsPIC30F devices. MPLAB C30 C Compiler uses the assembler to produce its object file. The assembler generates relocatable object files that can then be archived or linked with other relocatable object files and archives to create an executable file. Notable features of the assembler include:

- Support for the entire dsPIC30F instruction set
- Support for fixed-point and floating-point data
- Command line interface
- Rich directive set
- Flexible macro language
- MPLAB IDE compatibility

10.6 MPLAB SIM Software Simulator

The MPLAB SIM Software Simulator allows code development in a PC-hosted environment by simulating the PIC MCUs and dsPIC® DSCs on an instruction level. On any given instruction, the data areas can be examined or modified and stimuli can be applied from a comprehensive stimulus controller. Registers can be logged to files for further run-time analysis. The trace buffer and logic analyzer display extend the power of the simulator to record and track program execution, actions on I/O, most peripherals and internal registers.

The MPLAB SIM Software Simulator fully supports symbolic debugging using the MPLAB C18 and MPLAB C30 C Compilers, and the MPASM and MPLAB ASM30 Assemblers. The software simulator offers the flexibility to develop and debug code outside of the hardware laboratory environment, making it an excellent, economical software development tool.

10.7 MPLAB ICE 2000 High-Performance In-Circuit Emulator

The MPLAB ICE 2000 In-Circuit Emulator is intended to provide the product development engineer with a complete microcontroller design tool set for PIC microcontrollers. Software control of the MPLAB ICE 2000 In-Circuit Emulator is advanced by the MPLAB Integrated Development Environment, which allows editing, building, downloading and source debugging from a single environment.

The MPLAB ICE 2000 is a full-featured emulator system with enhanced trace, trigger and data monitoring features. Interchangeable processor modules allow the system to be easily reconfigured for emulation of different processors. The architecture of the MPLAB ICE 2000 In-Circuit Emulator allows expansion to support new PIC microcontrollers.

The MPLAB ICE 2000 In-Circuit Emulator system has been designed as a real-time emulation system with advanced features that are typically found on more expensive development tools. The PC platform and Microsoft® Windows® 32-bit operating system were chosen to best make these features available in a simple, unified application.

10.8 MPLAB REAL ICE In-Circuit Emulator System

MPLAB REAL ICE In-Circuit Emulator System is Microchip's next generation high-speed emulator for Microchip Flash DSC® and MCU devices. It debugs and programs PIC® and dsPIC® Flash microcontrollers with the easy-to-use, powerful graphical user interface of the MPLAB Integrated Development Environment (IDE), included with each kit.

The MPLAB REAL ICE probe is connected to the design engineer's PC using a high-speed USB 2.0 interface and is connected to the target with either a connector compatible with the popular MPLAB ICD 2 system (RJ11) or with the new high speed, noise tolerant, low-voltage differential signal (LVDS) interconnection (CAT5).

MPLAB REAL ICE is field upgradeable through future firmware downloads in MPLAB IDE. In upcoming releases of MPLAB IDE, new devices will be supported, and new features will be added, such as software breakpoints and assembly code trace. MPLAB REAL ICE offers significant advantages over competitive emulators including low-cost, full-speed emulation, real-time variable watches, trace analysis, complex breakpoints, a ruggedized probe interface and long (up to three meters) interconnection cables.

10.9 MPLAB ICD 2 In-Circuit Debugger

Microchip's In-Circuit Debugger, MPLAB ICD 2, is a powerful, low-cost, run-time development tool, connecting to the host PC via an RS-232 or high-speed USB interface. This tool is based on the Flash PIC MCUs and can be used to develop for these and other PIC MCUs and dsPIC DSCs. The MPLAB ICD 2 utilizes the in-circuit debugging capability built into the Flash devices. This feature, along with Microchip's In-Circuit Serial Programming™ (ICSP™) protocol, offers cost-effective, in-circuit Flash debugging from the graphical user interface of the MPLAB Integrated Development Environment. This enables a designer to develop and debug source code by setting breakpoints, single stepping and watching variables, and CPU status and peripheral registers. Running at full speed enables testing hardware and applications in real time. MPLAB ICD 2 also serves as a development programmer for selected PIC devices.

10.10 MPLAB PM3 Device Programmer

The MPLAB PM3 Device Programmer is a universal, CE compliant device programmer with programmable voltage verification at VDDMIN and VDDMAX for maximum reliability. It features a large LCD display (128 x 64) for menus and error messages and a modular, detachable socket assembly to support various package types. The ICSP™ cable assembly is included as a standard item. In Stand-Alone mode, the MPLAB PM3 Device Programmer can read, verify and program PIC devices without a PC connection. It can also set code protection in this mode. The MPLAB PM3 connects to the host PC via an RS-232 or USB cable. The MPLAB PM3 has high-speed communications and optimized algorithms for quick programming of large memory devices and incorporates an SD/MMC card for file storage and secure data applications.

PIC16F5X

10.11 PICSTART Plus Development Programmer

The PICSTART Plus Development Programmer is an easy-to-use, low-cost, prototype programmer. It connects to the PC via a COM (RS-232) port. MPLAB Integrated Development Environment software makes using the programmer simple and efficient. The PICSTART Plus Development Programmer supports most PIC devices in DIP packages up to 40 pins. Larger pin count devices, such as the PIC16C92X and PIC17C76X, may be supported with an adapter socket. The PICSTART Plus Development Programmer is CE compliant.

10.12 PICkit 2 Development Programmer

The PICkit™ 2 Development Programmer is a low-cost programmer and selected Flash device debugger with an easy-to-use interface for programming many of Microchip's baseline, mid-range and PIC18F families of Flash memory microcontrollers. The PICkit 2 Starter Kit includes a prototyping development board, twelve sequential lessons, software and HI-TECH's PICC™ Lite C compiler, and is designed to help get up to speed quickly using PIC® microcontrollers. The kit provides everything needed to program, evaluate and develop applications using Microchip's powerful, mid-range Flash memory family of microcontrollers.

10.13 Demonstration, Development and Evaluation Boards

A wide variety of demonstration, development and evaluation boards for various PIC MCUs and dsPIC DSCs allows quick application development on fully functional systems. Most boards include prototyping areas for adding custom circuitry and provide application firmware and source code for examination and modification.

The boards support a variety of features, including LEDs, temperature sensors, switches, speakers, RS-232 interfaces, LCD displays, potentiometers and additional EEPROM memory.

The demonstration and development boards can be used in teaching environments, for prototyping custom circuits and for learning about various microcontroller applications.

In addition to the PICDEM™ and dsPICDEM™ demonstration/development board series of circuits, Microchip has a line of evaluation kits and demonstration software for analog filter design, KEELOQ® security ICs, CAN, IrDA®, PowerSmart® battery management, SEEVAL® evaluation system, Sigma-Delta ADC, flow rate sensing, plus many more.

Check the Microchip web page (www.microchip.com) and the latest "Product Selector Guide" (DS00148) for the complete list of demonstration, development and evaluation kits.

11.0 ELECTRICAL SPECIFICATIONS FOR PIC16F54/57

Absolute Maximum Ratings^(†)

| | |
|---|-----------------------------------|
| Ambient Temperature under bias | -40°C to +125°C |
| Storage Temperature | -65°C to +150°C |
| Voltage on V _{DD} with respect to V _{SS} | 0V to +6.5V |
| Voltage on $\overline{\text{MCLR}}$ with respect to V _{SS} ⁽¹⁾ | 0V to +13.5V |
| Voltage on all other pins with respect to V _{SS} | -0.6V to (V _{DD} + 0.6V) |
| Total power dissipation ⁽²⁾ | 800 mW |
| Max. current out of V _{SS} pin | 150 mA |
| Max. current into V _{DD} pin | 100 mA |
| Max. current into an input pin (T _{0CKI} only)..... | ±500 μA |
| Input clamp current, I _{IK} (V _I < 0 or V _I > V _{DD}) | ±20 mA |
| Output clamp current, I _{OK} (V _O < 0 or V _O > V _{DD}) | ±20 mA |
| Max. output current sunk by any I/O pin | 25 mA |
| Max. output current sourced by any I/O pin | 25 mA |
| Max. output current sourced by a single I/O port (PORTA, B or C) | 50 mA |
| Max. output current sunk by a single I/O port (PORTA, B or C)..... | 50 mA |

Note 1: Voltage spikes below V_{SS} at the $\overline{\text{MCLR}}$ pin, inducing currents greater than 80 mA, may cause latch-up. Thus, a series resistor of 50 to 100Ω should be used when applying a “low” level to the $\overline{\text{MCLR}}$ pin rather than pulling this pin directly to V_{SS}.

2: Power Dissipation is calculated as follows: $P_{dis} = V_{DD} \times \{I_{DD} - \sum I_{OH}\} + \sum \{(V_{DD} - V_{OH}) \times I_{OH}\} + \sum (V_{OL} \times I_{OL})$

†NOTICE: Stresses above those listed under “Absolute Maximum Ratings” may cause permanent damage to the device. This is a stress rating only and functional operation of the device at those or any other conditions above those indicated in the operation listings of this specification is not implied. Exposure to maximum rating conditions for extended periods may affect device reliability.

PIC16F5X

11.0 ELECTRICAL SPECIFICATIONS FOR PIC16F59 (continued)

Absolute Maximum Ratings^(†)

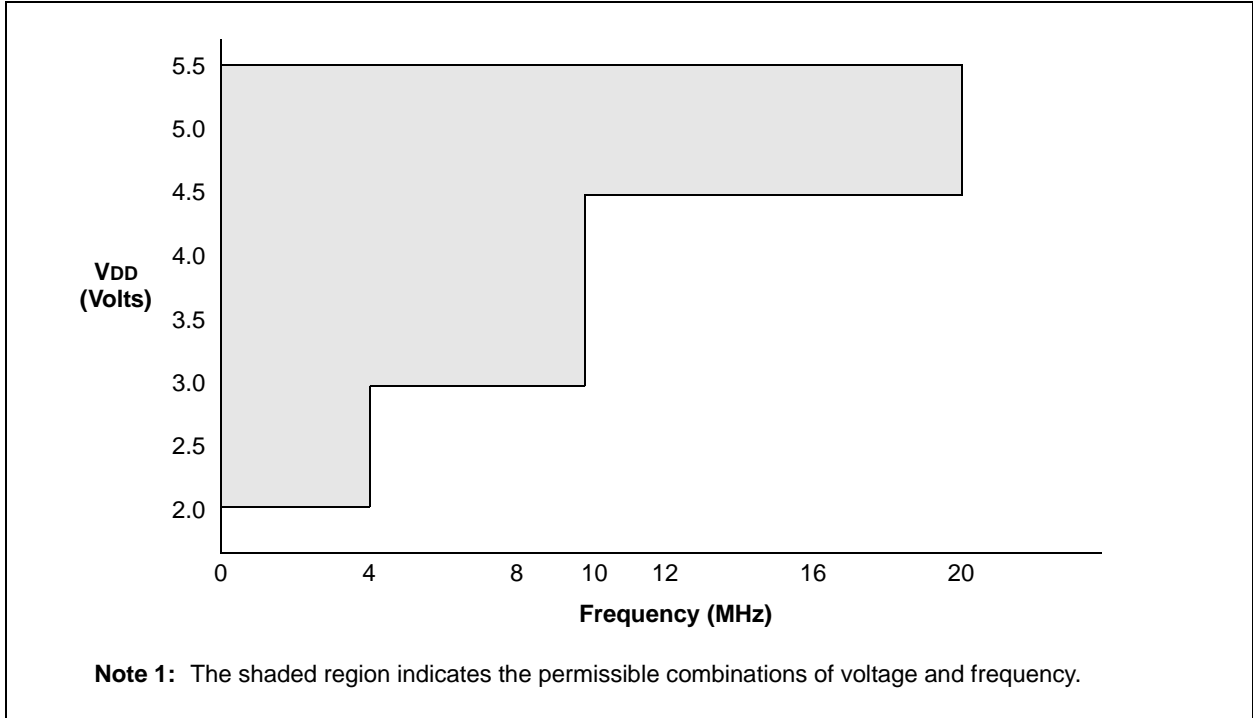
| | |
|---|-----------------------------------|
| Ambient Temperature under bias | -40°C to +125°C |
| Storage Temperature..... | -65°C to +150°C |
| Voltage on V _{DD} with respect to V _{SS} | 0V to +6.5V |
| Voltage on $\overline{\text{MCLR}}$ with respect to V _{SS} ⁽¹⁾ | 0V to +13.5V |
| Voltage on all other pins with respect to V _{SS} | -0.6V to (V _{DD} + 0.6V) |
| Total power dissipation ⁽²⁾ | 900 mW |
| Max. current out of V _{SS} pins..... | 250 mA |
| Max. current into V _{DD} pins | 200 mA |
| Max. current into an input pin (T0CKI only)..... | ±500 μ A |
| Input clamp current, I _{IK} (V _I < 0 or V _I > V _{DD}) | ±20 mA |
| Output clamp current, I _{OK} (V _O < 0 or V _O > V _{DD}) | ±20 mA |
| Max. output current sunk by any I/O pin..... | 25 mA |
| Max. output current sourced by any I/O pin | 25 mA |
| Max. output current sourced by a single I/O port (PORTA, B, C, D or E)..... | 100 mA |
| Max. output current sunk by a single I/O port (PORTA, B, C, D or E)..... | 100 mA |

Note 1: Voltage spikes below V_{SS} at the $\overline{\text{MCLR}}$ pin, inducing currents greater than 80 mA, may cause latch-up. Thus, a series resistor of 50 to 100 Ω should be used when applying a “low” level to the $\overline{\text{MCLR}}$ pin rather than pulling this pin directly to V_{SS}.

2: Power Dissipation is calculated as follows: $P_{dis} = V_{DD} \times \{I_{DD} - \sum I_{OH}\} + \sum \{(V_{DD} - V_{OH}) \times I_{OH}\} + \sum (V_{OL} \times I_{OL})$

†NOTICE: Stresses above those listed under “Absolute Maximum Ratings” may cause permanent damage to the device. This is a stress rating only and functional operation of the device at those or any other conditions above those indicated in the operation listings of this specification is not implied. Exposure to maximum rating conditions for extended periods may affect device reliability.

FIGURE 11-1: PIC16F5X VOLTAGE-FREQUENCY GRAPH, $-40^{\circ}\text{C} \leq T_A \leq +125^{\circ}\text{C}$



PIC16F5X

11.1 DC Characteristics: PIC16F5X (Industrial)

| DC CHARACTERISTICS | | | Standard Operating Conditions (unless otherwise specified) Operating Temperature $-40^{\circ}\text{C} \leq T_A \leq +85^{\circ}\text{C}$ for industrial | | | | |
|--------------------|------|---|--|------|------|-------|---|
| Param No. | Sym. | Characteristic/Device | Min. | Typ† | Max. | Units | Conditions |
| D001 | VDD | Supply Voltage | 2.0 | — | 5.5 | V | |
| D002 | VDR | RAM Data Retention Voltage ⁽¹⁾ | — | 1.5* | — | V | Device in Sleep mode |
| D003 | VPOR | VDD Start Voltage to ensure Power-on Reset | — | VSS | — | V | See Section 5.1 “Power-on Reset (POR)” for details on Power-on Reset |
| D004 | SVDD | VDD Rise Rate to ensure Power-on Reset | 0.05* | — | — | V/ms | See Section 5.1 “Power-on Reset (POR)” for details on Power-on Reset |
| D010 | IDD | Supply Current ⁽²⁾ | | | | | |
| | | | — | 170 | 350 | μA | FOSC = 4 MHz, VDD = 2.0V, XT or RC mode ⁽³⁾ |
| | | | — | 0.4 | 1.0 | mA | FOSC = 10 MHz, VDD = 3.0V, HS mode |
| | | | — | 1.7 | 5.0 | mA | FOSC = 20 MHz, VDD = 5.0V, HS mode |
| | | | — | 15 | 22.5 | μA | FOSC = 32 kHz, VDD = 2.0V, LP mode, WDT disabled |
| D020 | IPD | Power-down Current ⁽²⁾ | | | | | |
| | | | — | 1.0 | 6.0 | μA | VDD = 2.0V, WDT enabled |
| | | | — | 0.5 | 2.5 | μA | VDD = 2.0V, WDT disabled |

* These parameters are characterized but not tested.

† Data in “Typ” column is based on characterization results at 25°C. This data is for design guidance only and is not tested.

- Note 1:** This is the limit to which VDD can be lowered in Sleep mode without losing RAM data.
- 2:** The supply current is mainly a function of the operating voltage and frequency. Other factors such as bus loading, oscillator type, bus rate, internal code execution pattern and temperature, also have an impact on the current consumption.
- The test conditions for all IDD measurements in Active Operation mode are: OSC1 = external square wave, from rail-to-rail; all I/O pins tri-stated, pulled to VSS, T0CKI = VDD, MCLR = VDD; WDT enabled/disabled as specified.
 - For standby current measurements, the conditions are the same, except that the device is in Sleep mode. The Power-down Current in Sleep mode does not depend on the oscillator type.
- 3:** Does not include current through REXT. The current through the resistor can be estimated by the formula: $I_R = V_{DD}/2R_{EXT}$ (mA) with REXT in kΩ.

11.2 DC Characteristics: PIC16F5X (Extended)

| DC CHARACTERISTICS | | | Standard Operating Conditions (unless otherwise specified) Operating Temperature $-40^{\circ}\text{C} \leq T_A \leq +125^{\circ}\text{C}$ for extended | | | | |
|--------------------|------|---|---|------|------|---------------|--|
| Param No. | Sym. | Characteristic/Device | Min. | Typ† | Max. | Units | Conditions |
| D001 | VDD | Supply Voltage | 2.0 | — | 5.5 | V | |
| D002 | VDR | RAM Data Retention Voltage⁽¹⁾ | — | 1.5* | — | V | Device in Sleep mode |
| D003 | VPOR | VDD Start Voltage to ensure Power-on Reset | — | VSS | — | V | See Section 5.1 “Power-on Reset (POR)” for details on Power-on Reset |
| D004 | SVDD | VDD Rise Rate to ensure Power-on Reset | 0.05* | — | — | V/ms | See Section 5.1 “Power-on Reset (POR)” for details on Power-on Reset |
| D010 | IDD | Supply Current⁽²⁾ | — | 170 | 450 | μA | FOSC = 4 MHz, VDD = 2.0V, XT or RC mode ⁽³⁾ FOSC = 10 MHz, VDD = 3.0V, HS mode FOSC = 20 MHz, VDD = 5.0V, HS mode FOSC = 32 kHz, VDD = 2.0V, LP mode, WDT disabled |
| | | | — | 0.4 | 2.0 | mA | |
| | | | — | 1.7 | 7.0 | mA | |
| | | | — | 15 | 40 | μA | |
| D020 | IPD | Power-down Current⁽²⁾ | — | 1.0 | 15.0 | μA | VDD = 2.0V, WDT enabled |
| | | | — | 0.5 | 8.0 | μA | VDD = 2.0V, WDT disabled |

* These parameters are characterized but not tested.

† Data in “Typ” column is based on characterization results at 25°C. This data is for design guidance only and is not tested.

Note 1: This is the limit to which VDD can be lowered in Sleep mode without losing RAM data.

2: The supply current is mainly a function of the operating voltage and frequency. Other factors such as bus loading, oscillator type, bus rate, internal code execution pattern and temperature, also have an impact on the current consumption.

a) The test conditions for all IDD measurements in Active Operation mode are: OSC1 = external square wave, from rail-to-rail; all I/O pins tri-stated, pulled to VSS, T0CKI = VDD, MCLR = VDD; WDT enabled/disabled as specified.

b) For standby current measurements, the conditions are the same, except that the device is in Sleep mode. The Power-down Current in Sleep mode does not depend on the oscillator type.

3: Does not include current through REXT. The current through the resistor can be estimated by the formula: $I_R = V_{DD}/2R_{EXT}$ (mA) with REXT in k Ω .

PIC16F5X

11.3 DC Characteristics PIC16F5X

| DC CHARACTERISTICS | | Standard Operating Conditions (unless otherwise specified) | | | | | |
|--------------------|------|---|----------------|------|----------|-------|--|
| | | Operating Temperature -40°C ≤ TA ≤ +85°C for industrial -40°C ≤ TA ≤ +125°C for extended | | | | | |
| Param No. | Sym. | Characteristic | Min. | Typ† | Max. | Units | Conditions |
| D030 | VIL | Input Low Voltage | | | | | |
| | | I/O Ports | VSS | — | 0.8V | V | 4.5V < VDD ≤ 5.5V |
| | | I/O Ports | VSS | — | 0.15 VDD | V | VDD ≤ 4.5V |
| | | MCLR (Schmitt Trigger) | VSS | — | 0.15 VDD | V | |
| | | T0CKI (Schmitt Trigger) | VSS | — | 0.15 VDD | V | |
| | | OSC1 (Schmitt Trigger) | VSS | — | 0.15 VDD | V | RC mode ⁽³⁾ |
| | | OSC1 | VSS | — | 0.3 VDD | V | HS mode |
| D040 | VIH | Input High Voltage | | | | | |
| | | I/O ports | 2.0 | — | VDD | V | 4.5V < VDD ≤ 5.5V |
| | | I/O ports | 0.25 VDD + 0.8 | — | VDD | V | VDD ≤ 4.5V |
| | | MCLR (Schmitt Trigger) | 0.85 VDD | — | VDD | V | |
| | | T0CKI (Schmitt Trigger) | 0.85 VDD | — | VDD | V | |
| | | OSC1 (Schmitt Trigger) | 0.85 VDD | — | VDD | V | RC mode ⁽³⁾ |
| | | OSC1 | 0.7 VDD | — | VDD | V | HS mode |
| D060 | IIL | Input Leakage Current^(1, 2) | | | | | |
| | | I/O ports | — | — | ±1.0 | μA | VSS ≤ VPIN ≤ VDD, pin at high-impedance |
| | | MCLR | — | — | ±5.0 | μA | VSS ≤ VPIN ≤ VDD |
| | | T0CKI | — | — | ±5.0 | μA | VSS ≤ VPIN ≤ VDD |
| | | OSC1 | — | — | ±5.0 | μA | VSS ≤ VPIN ≤ VDD, XT, HS and LP modes |
| D080 D083 | VOL | Output Low Voltage | | | | | |
| | | I/O ports | — | — | 0.6 | V | IOL = 8.5 mA, VDD = 4.5V |
| | | OSC2/CLKOUT (RC mode) | — | — | 0.6 | V | IOL = 1.6 mA, VDD = 4.5V |
| D090 D092 | VOH | Output High Voltage⁽²⁾ | | | | | |
| | | I/O ports ⁽²⁾ | VDD - 0.7 | — | — | V | IOH = -3.0 mA, VDD = 4.5V |
| | | OSC2/CLKOUT (RC mode) | VDD - 0.7 | — | — | V | IOH = -1.3 mA, VDD = 4.5V |

* These parameters are characterized but not tested.

† Data in the Typical ("Typ") column is based on characterization results at 25°C. This data is for design guidance only and is not tested.

Note 1: The leakage current on the MCLR/VPP pin is strongly dependent on the applied voltage level. The specified levels represent normal operating conditions. Higher leakage current may be measured at different input voltage.

2: Negative current is defined as coming out of the pin.

3: For the RC mode, the OSC1/CLKIN pin is a Schmitt Trigger input. It is not recommended that the PIC16F5X be driven with external clock in RC mode.

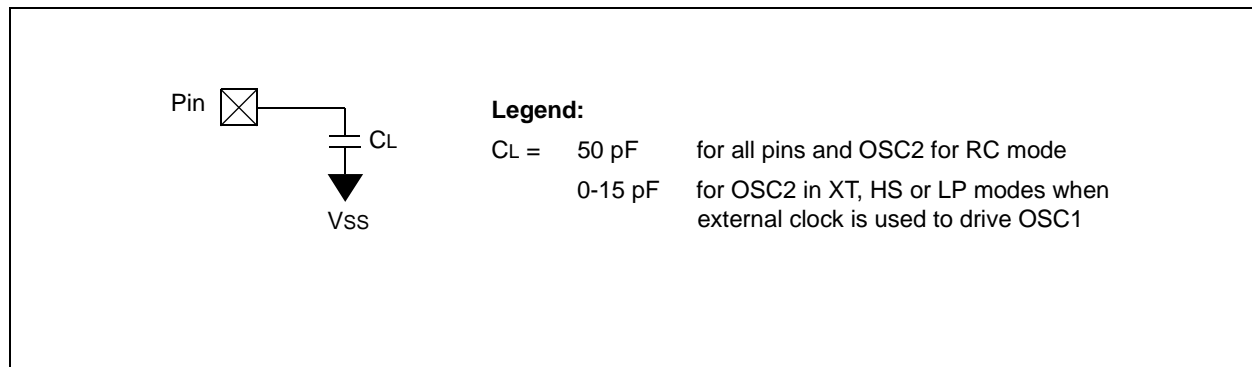
11.4 Timing Parameter Symbology and Load Conditions

The timing parameter symbols have been created with one of the following formats:

1. TppS2ppS
2. TppS

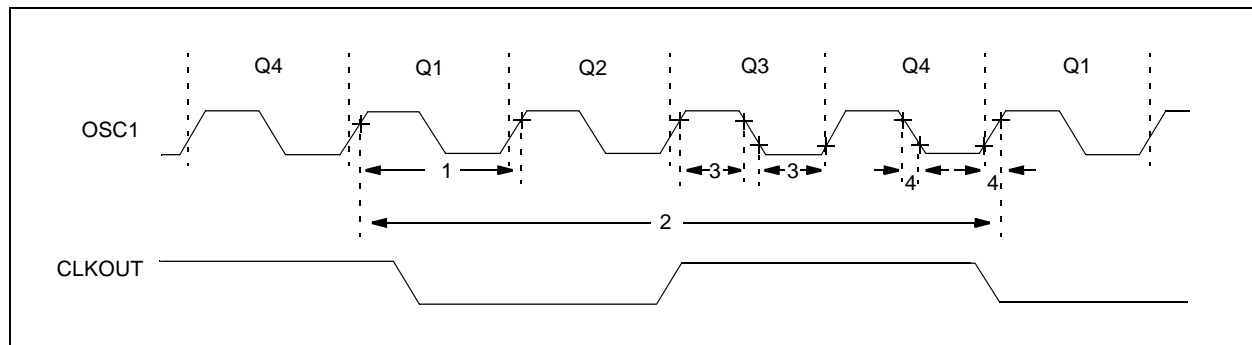
| | |
|--|-----------------------------|
| T | |
| F Frequency | T Time |
| Lowercase letters (pp) and their meanings: | |
| pp | |
| 2 to | mc $\overline{\text{MCLR}}$ |
| ck CLKOUT | osc oscillator |
| cy cycle time | os OSC1 |
| drt device reset timer | t0 T0CKI |
| io I/O port | wdt watchdog timer |
| Uppercase letters and their meanings: | |
| S | |
| F Fall | P Period |
| H High | R Rise |
| I Invalid (High-impedance) | V Valid |
| L Low | Z High-impedance |

FIGURE 11-2: LOAD CONDITIONS FOR DEVICE TIMING SPECIFICATIONS – PIC16F5X



11.5 Timing Diagrams and Specifications

FIGURE 11-3: EXTERNAL CLOCK TIMING



PIC16F5X

TABLE 11-1: EXTERNAL CLOCK TIMING REQUIREMENTS

| AC CHARACTERISTICS | | Standard Operating Conditions (unless otherwise specified) Operating Temperature -40°C ≤ TA ≤ +85°C for industrial -40°C ≤ TA ≤ +125°C for extended | | | | | |
|--------------------|------------|---|------|--------|-------------|-------|---------------|
| Parameter No. | Sym. | Characteristic | Min. | Typ† | Max. | Units | Conditions |
| | FOSC | External CLKIN Frequency ⁽¹⁾ | DC | — | 4.0 | MHz | XT Osc mode |
| | | | DC | — | 20 | MHz | HS Osc mode |
| | | | DC | — | 200 | kHz | LP Osc mode |
| | | Oscillator Frequency ⁽¹⁾ | DC | — | 4.0 | MHz | RC Osc mode |
| | | | 0.1 | — | 4.0 | MHz | XT Osc mode |
| | | | 4.0 | — | 20 | MHz | HS Osc mode |
| 5.0 | — | | 200 | kHz | LP Osc mode | | |
| 1 | TOSC | External CLKIN Period ⁽¹⁾ | 250 | — | — | ns | XT Osc mode |
| | | | 50 | — | — | ns | HS Osc mode |
| | | | 5.0 | — | — | μs | LP Osc mode |
| | | Oscillator Period ⁽¹⁾ | 250 | — | — | ns | RC Osc mode |
| | | | 250 | — | 10,000 | ns | XT Osc mode |
| | | | 50 | — | 250 | ns | HS Osc mode |
| 5.0 | — | | — | μs | LP Osc mode | | |
| 2 | TCY | Instruction Cycle Time ⁽²⁾ | — | 4/FOSC | — | — | |
| 3 | TosL, TosH | Clock in (OSC1) Low or High Time | 50* | — | — | ns | XT oscillator |
| | | | 20* | — | — | ns | HS oscillator |
| | | | 2.0* | — | — | μs | LP oscillator |
| 4 | TosR, TosF | Clock in (OSC1) Rise or Fall Time | — | — | 25* | ns | XT oscillator |
| | | | — | — | 5* | ns | HS oscillator |
| | | | — | — | 50* | ns | LP oscillator |

* These parameters are characterized but not tested.

† Data in the Typical (“Typ”) column is at 5V, 25°C unless otherwise stated. These parameters are for design guidance only and are not tested.

Note 1: All specified values are based on characterization data for that particular oscillator type under standard operating conditions with the device executing code. Exceeding these specified limits may result in an unstable oscillator operation and/or higher than expected current consumption.

When an external clock input is used, the “max” cycle time limit is “DC” (no clock) for all devices.

2: Instruction cycle period (TCY) equals four times the input oscillator time base period.

FIGURE 11-4: CLKOUT AND I/O TIMING – PIC16F5X

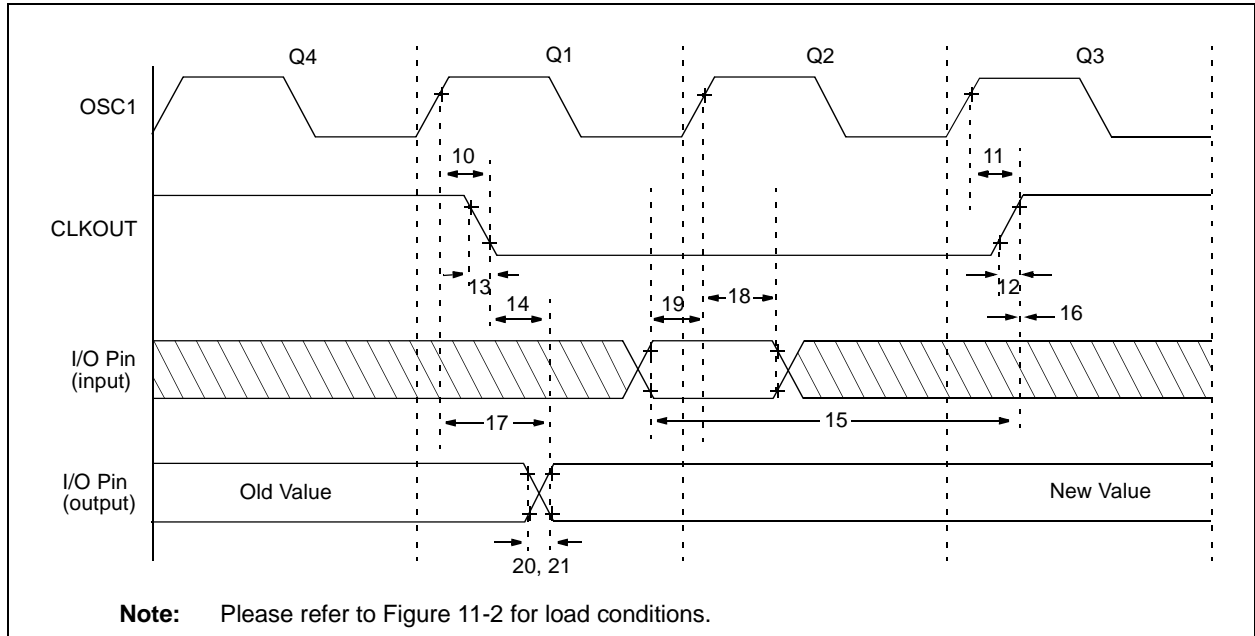


TABLE 11-2: CLKOUT AND I/O TIMING REQUIREMENTS – PIC16F5X

| Param No. | Sym. | Characteristic | Min. | Typ† | Max. | Units |
|-----------|----------|---|--------------|------|------|-------|
| 10 | TosH2ckL | OSC1↑ to CLKOUT↓ ⁽¹⁾ | — | 15 | 30** | ns |
| 11 | TosH2ckH | OSC1↑ to CLKOUT↑ ⁽¹⁾ | — | 15 | 30** | ns |
| 12 | TckR | CLKOUT rise time ⁽¹⁾ | — | 5.0 | 15** | ns |
| 13 | TckF | CLKOUT fall time ⁽¹⁾ | — | 5.0 | 15** | ns |
| 14 | TckL2ioV | CLKOUT↓ to Port out valid ⁽¹⁾ | — | — | 40** | ns |
| 15 | TioV2ckH | Port in valid before CLKOUT↑ ⁽¹⁾ | 0.25 Tcy+30* | — | — | ns |
| 16 | TckH2ioI | Port in hold after CLKOUT↑ ⁽¹⁾ | 0* | — | — | ns |
| 17 | TosH2ioV | OSC1↑ (Q1 cycle) to Port out valid ⁽²⁾ | — | — | 100* | ns |
| 18 | TosH2ioI | OSC1↑ (Q2 cycle) to Port input invalid (I/O in hold time) | TBD | — | — | ns |
| 19 | TioV2osH | Port input valid to OSC1↑ (I/O in setup time) | TBD | — | — | ns |
| 20 | TioR | Port output rise time ^(2, 3) | — | 10 | 25** | ns |
| 20 | TioR | Port output rise time ^(2, 4) | — | 10 | 50** | ns |
| 21 | TioF | Port output fall time ^(2, 3) | — | 10 | 25** | ns |
| 21 | TioF | Port output fall time ^(2, 4) | — | 10 | 50** | ns |

Legend: TBD = To Be Determined.

* These parameters are characterized but not tested.

** These parameters are design targets and are not tested. No characterization data available at this time.

† Data in the Typical ("Typ") column is at 5.0V, 25°C unless otherwise stated. These parameters are for design guidance only and are not tested.

Note 1: Measurements are taken in RC mode where CLKOUT output is 4 x TOSC.

2: Please refer to Figure 11-2 for load conditions.

3: PIC16F54/57 only.

4: PIC16F59 only.

PIC16F5X

FIGURE 11-5: RESET, WATCHDOG TIMER, AND DEVICE RESET TIMER TIMING — PIC16F5X

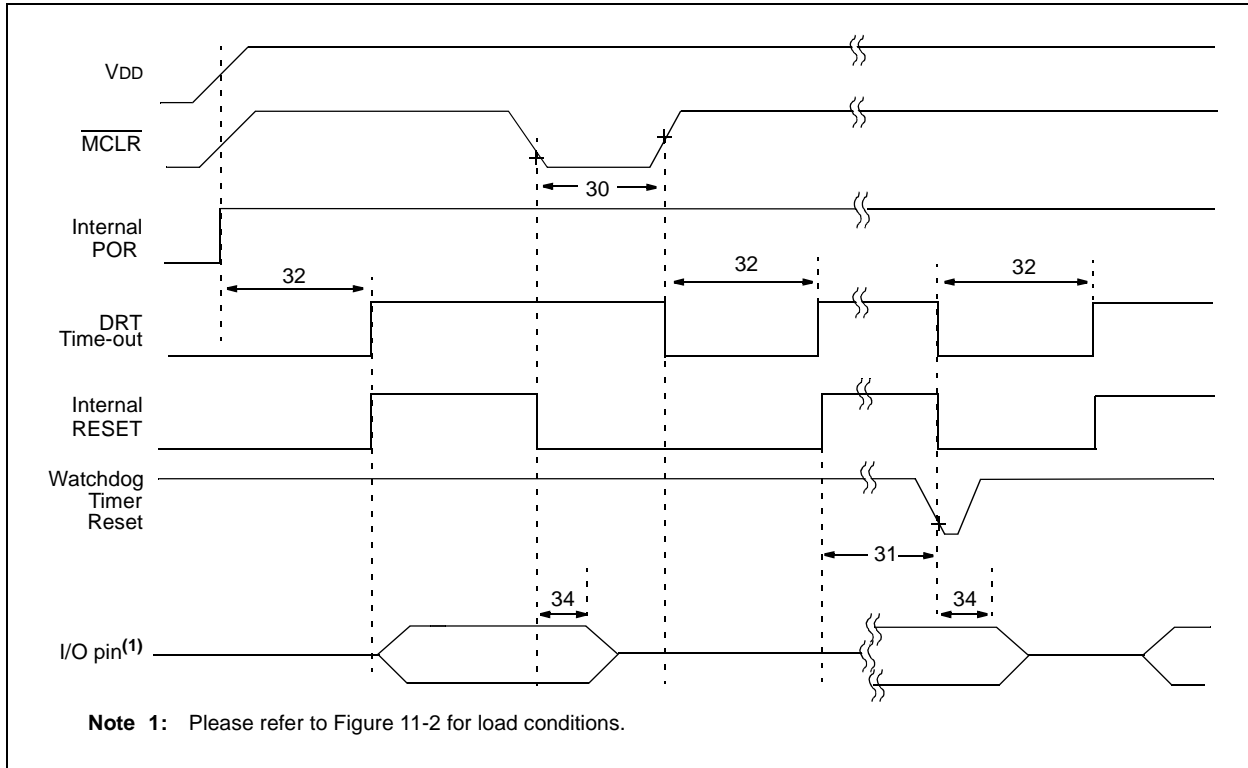


TABLE 11-3: RESET, WATCHDOG TIMER AND DEVICE RESET TIMER – PIC16F5X

| AC CHARACTERISTICS | | | Standard Operating Conditions (unless otherwise specified) Operating Temperature $-40^{\circ}\text{C} \leq T_A \leq +85^{\circ}\text{C}$ for industrial $-40^{\circ}\text{C} \leq T_A \leq +125^{\circ}\text{C}$ for extended | | | | |
|--------------------|------------------|---|---|------|-------|-------|--|
| Param No. | Sym. | Characteristic | Min. | Typ† | Max. | Units | Conditions |
| 30 | T _{MCL} | MCLR Pulse Width (low) | 2000* | — | — | ns | V _{DD} = 5.0V |
| 31 | T _{WDT} | Watchdog Timer Time-out Period (No Prescaler) | 9.0* | 18* | 30* | ms | V _{DD} = 5.0V (industrial) V _{DD} = 5.0V (extended) |
| 32 | T _{DRT} | Device Reset Timer Period | 9.0* | 18* | 30* | ms | V _{DD} = 5.0V (industrial) V _{DD} = 5.0V (extended) |
| 34 | T _{IOZ} | I/O high-impedance from MCLR Low | 100* | 300* | 2000* | ns | |

* These parameters are characterized but not tested.

† Data in the Typical ("Typ") column is at 5.0V, 25°C unless otherwise stated. These parameters are for design guidance only and are not tested.

FIGURE 11-6: TIMER0 CLOCK TIMINGS – PIC16F5X

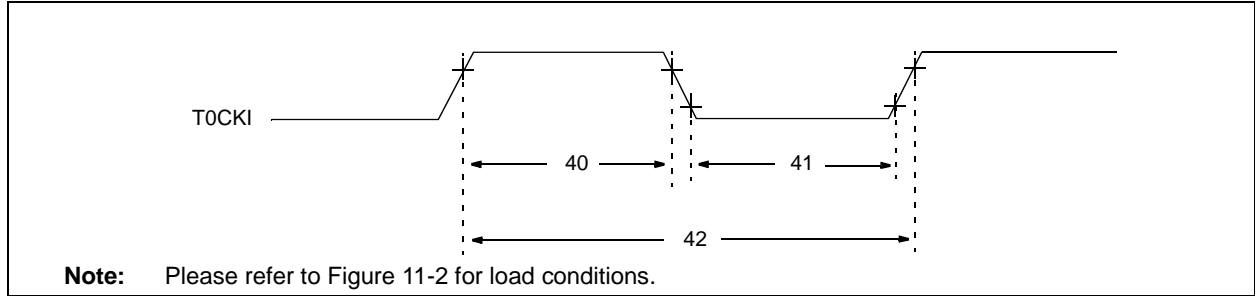


TABLE 11-4: TIMER0 CLOCK REQUIREMENTS – PIC16F5X

| AC CHARACTERISTICS | | | Standard Operating Conditions (unless otherwise specified) Operating Temperature $-40^{\circ}\text{C} \leq T_A \leq +85^{\circ}\text{C}$ for industrial $-40^{\circ}\text{C} \leq T_A \leq +125^{\circ}\text{C}$ for extended | | | | |
|--------------------|------|---|---|------|------|-------|--|
| Param No. | Sym. | Characteristic | Min. | Typ† | Max. | Units | Conditions |
| 40 | Tt0H | T0CKI High Pulse Width: No Prescaler | $0.5 T_{CY} + 20^*$ | — | — | ns | |
| | | With Prescaler | 10^* | — | — | ns | |
| 41 | Tt0L | T0CKI Low Pulse Width: No Prescaler | $0.5 T_{CY} + 20^*$ | — | — | ns | |
| | | With Prescaler | 10^* | — | — | ns | |
| 42 | Tt0P | T0CKI Period | 20 or $\frac{T_{CY} + 40^*}{N}$ | — | — | ns | Whichever is greater. N = Prescale Value (1, 2, 4, ..., 256) |

* These parameters are characterized but not tested.

† Data in the Typical ("Typ") column is at 5.0V, 25°C unless otherwise stated. These parameters are for design guidance only and are not tested.

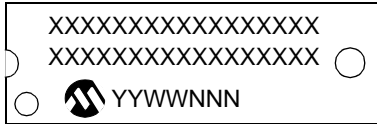
PIC16F5X

NOTES:

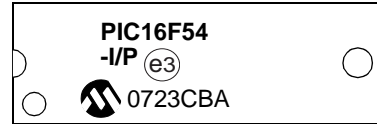
12.0 PACKAGING INFORMATION

12.1 Package Marketing Information

18-Lead PDIP



Example



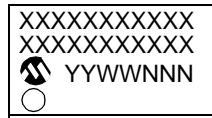
18-Lead SOIC



Example



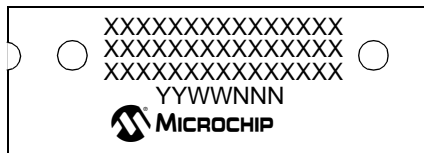
20-Lead SSOP



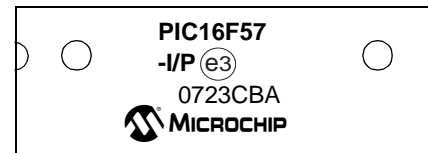
Example



28-Lead PDIP



Example



| | | |
|----------------|---|--|
| Legend: | XX...X | Customer-specific information |
| | Y | Year code (last digit of calendar year) |
| | YY | Year code (last 2 digits of calendar year) |
| | WW | Week code (week of January 1 is week '01') |
| | NNN | Alphanumeric traceability code |
| | (e3) | Pb-free JEDEC designator for Matte Tin (Sn) |
| | * | This package is Pb-free. The Pb-free JEDEC designator (e3) can be found on the outer packaging for this package. |
| Note: | In the event the full Microchip part number cannot be marked on one line, it will be carried over to the next line, thus limiting the number of available characters for customer-specific information. | |

* Standard PIC device marking consists of Microchip part number, year code, week code, and traceability code. For PIC device marking beyond this, certain price adders apply. Please check with your Microchip Sales Office. For QTP devices, any special marking adders are included in QTP price.

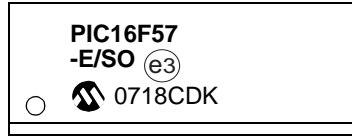
PIC16F5X

Package Marking Information (Continued)

28-Lead SOIC



Example



28-Lead SSOP



Example



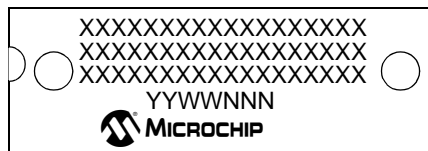
28-Lead SPDIP (.300")



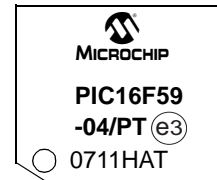
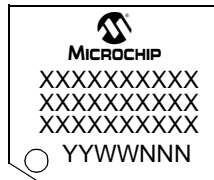
Example



40-Lead PDIP (.600")

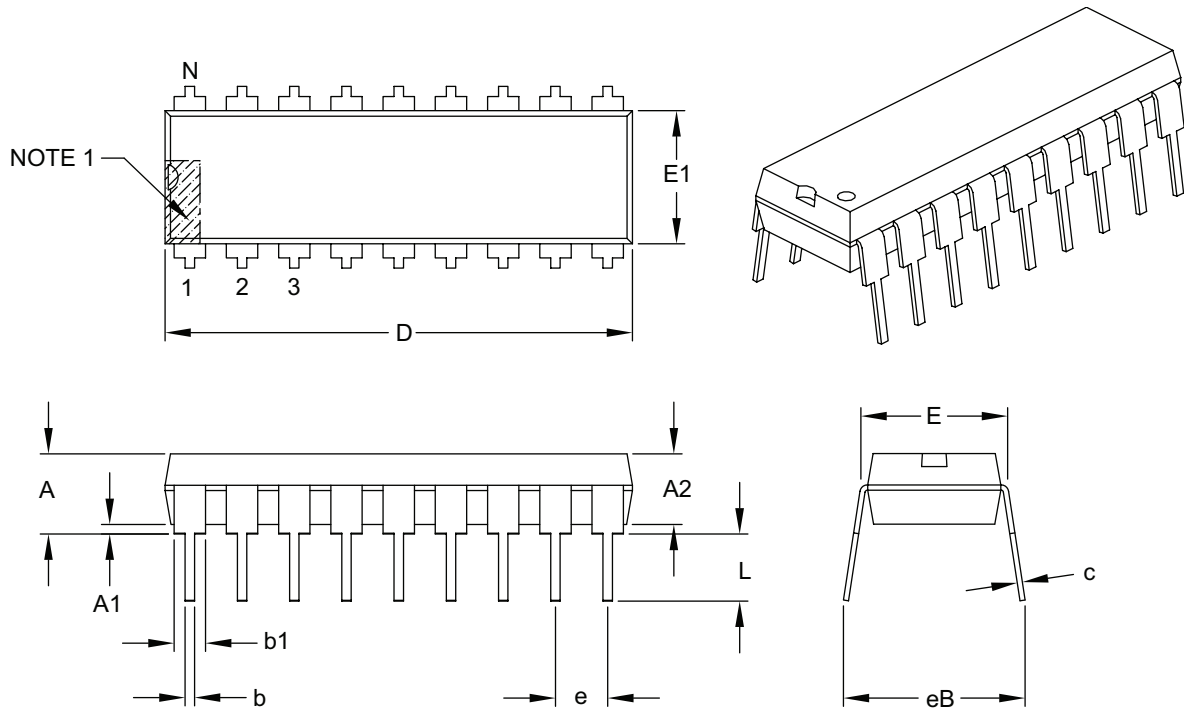


44-Lead TQFP



18-Lead Plastic Dual In-Line (P) – 300 mil Body [PDIP]

Note: For the most current package drawings, please see the Microchip Packaging Specification located at <http://www.microchip.com/packaging>



| | | Units | INCHES | | |
|----------------------------|----|-------|----------|------|------|
| Dimension Limits | | | MIN | NOM | MAX |
| Number of Pins | N | | 18 | | |
| Pitch | e | | .100 BSC | | |
| Top to Seating Plane | A | – | – | – | .210 |
| Molded Package Thickness | A2 | .115 | .130 | .195 | |
| Base to Seating Plane | A1 | .015 | – | – | |
| Shoulder to Shoulder Width | E | .300 | .310 | .325 | |
| Molded Package Width | E1 | .240 | .250 | .280 | |
| Overall Length | D | .880 | .900 | .920 | |
| Tip to Seating Plane | L | .115 | .130 | .150 | |
| Lead Thickness | c | .008 | .010 | .014 | |
| Upper Lead Width | b1 | .045 | .060 | .070 | |
| Lower Lead Width | b | .014 | .018 | .022 | |
| Overall Row Spacing § | eB | – | – | – | .430 |

Notes:

- Pin 1 visual index feature may vary, but must be located within the hatched area.
- § Significant Characteristic.
- Dimensions D and E1 do not include mold flash or protrusions. Mold flash or protrusions shall not exceed .010" per side.
- Dimensioning and tolerancing per ASME Y14.5M.

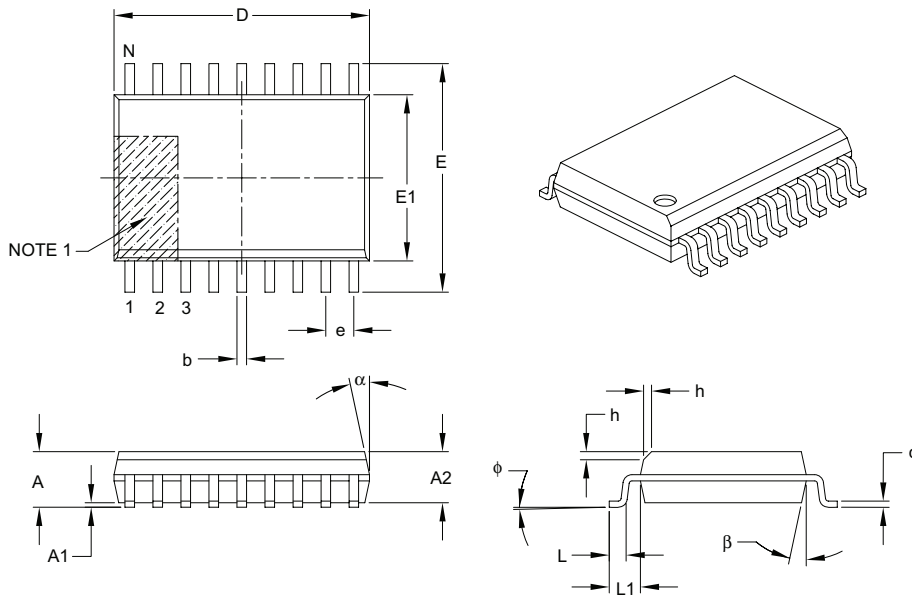
BSC: Basic Dimension. Theoretically exact value shown without tolerances.

Microchip Technology Drawing C04-007B

PIC16F5X

18-Lead Plastic Small Outline (SO) – Wide, 7.50 mm Body [SOIC]

Note: For the most current package drawings, please see the Microchip Packaging Specification located at <http://www.microchip.com/packaging>



| Dimension Limits | Units | MILLIMETERS | | |
|--------------------------|----------|-------------|-----|------|
| | | MIN | NOM | MAX |
| Number of Pins | N | 18 | | |
| Pitch | e | 1.27 BSC | | |
| Overall Height | A | – | – | 2.65 |
| Molded Package Thickness | A2 | 2.05 | – | – |
| Standoff § | A1 | 0.10 | – | 0.30 |
| Overall Width | E | 10.30 BSC | | |
| Molded Package Width | E1 | 7.50 BSC | | |
| Overall Length | D | 11.55 BSC | | |
| Chamfer (optional) | h | 0.25 | – | 0.75 |
| Foot Length | L | 0.40 | – | 1.27 |
| Footprint | L1 | 1.40 REF | | |
| Foot Angle | ϕ | 0° | – | 8° |
| Lead Thickness | c | 0.20 | – | 0.33 |
| Lead Width | b | 0.31 | – | 0.51 |
| Mold Draft Angle Top | α | 5° | – | 15° |
| Mold Draft Angle Bottom | β | 5° | – | 15° |

Notes:

- Pin 1 visual index feature may vary, but must be located within the hatched area.
- § Significant Characteristic.
- Dimensions D and E1 do not include mold flash or protrusions. Mold flash or protrusions shall not exceed 0.15 mm per side.
- Dimensioning and tolerancing per ASME Y14.5M.

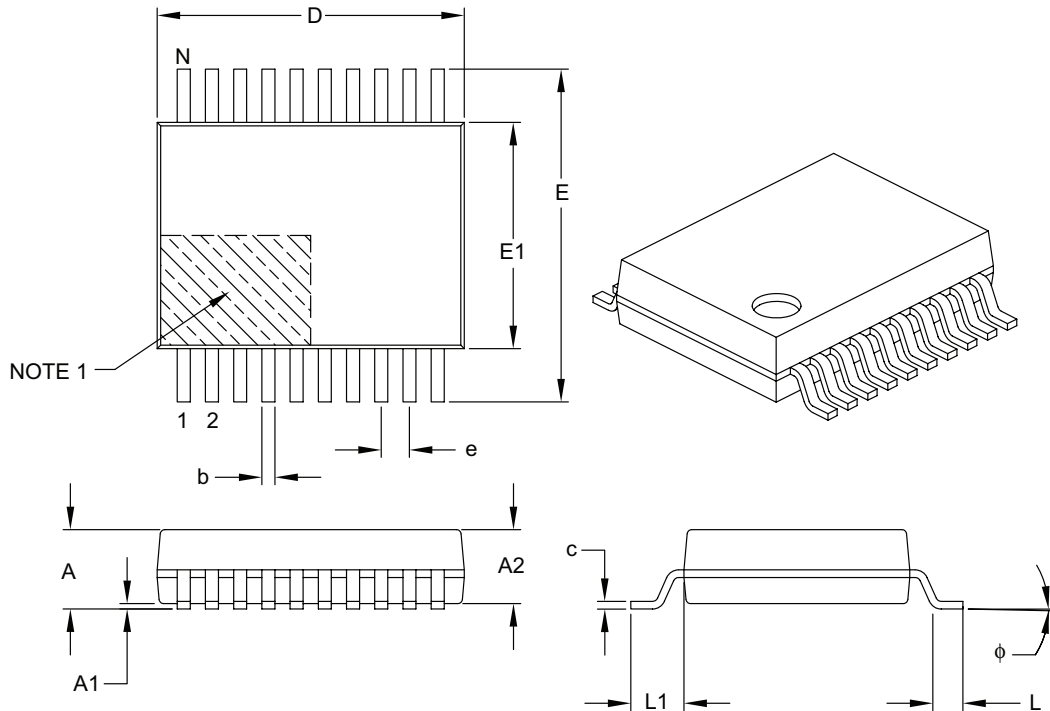
BSC: Basic Dimension. Theoretically exact value shown without tolerances.

REF: Reference Dimension, usually without tolerance, for information purposes only.

Microchip Technology Drawing C04-051B

20-Lead Plastic Shrink Small Outline (SS) – 5.30 mm Body [SSOP]

Note: For the most current package drawings, please see the Microchip Packaging Specification located at <http://www.microchip.com/packaging>



| Dimension Limits | Units | MILLIMETERS | | |
|--------------------------|-------|-------------|------|------|
| | | MIN | NOM | MAX |
| Number of Pins | N | 20 | | |
| Pitch | e | 0.65 BSC | | |
| Overall Height | A | – | – | 2.00 |
| Molded Package Thickness | A2 | 1.65 | 1.75 | 1.85 |
| Standoff | A1 | 0.05 | – | – |
| Overall Width | E | 7.40 | 7.80 | 8.20 |
| Molded Package Width | E1 | 5.00 | 5.30 | 5.60 |
| Overall Length | D | 6.90 | 7.20 | 7.50 |
| Foot Length | L | 0.55 | 0.75 | 0.95 |
| Footprint | L1 | 1.25 REF | | |
| Lead Thickness | c | 0.09 | – | 0.25 |
| Foot Angle | φ | 0° | 4° | 8° |
| Lead Width | b | 0.22 | – | 0.38 |

Notes:

- Pin 1 visual index feature may vary, but must be located within the hatched area.
- Dimensions D and E1 do not include mold flash or protrusions. Mold flash or protrusions shall not exceed 0.20 mm per side.
- Dimensioning and tolerancing per ASME Y14.5M.

BSC: Basic Dimension. Theoretically exact value shown without tolerances.

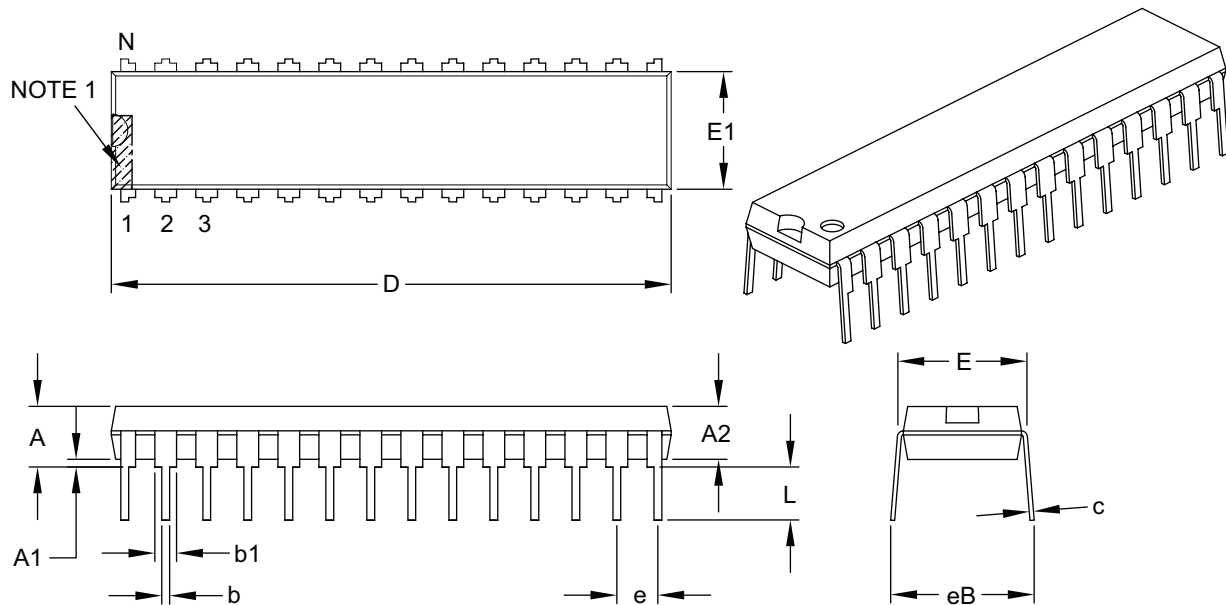
REF: Reference Dimension, usually without tolerance, for information purposes only.

Microchip Technology Drawing C04-072B

PIC16F5X

28-Lead Skinny Plastic Dual In-Line (SP) – 300 mil Body [SPDIP]

Note: For the most current package drawings, please see the Microchip Packaging Specification located at <http://www.microchip.com/packaging>



| | | Units | INCHES | | |
|----------------------------|----|-------|----------|-----|-------|
| Dimension Limits | | | MIN | NOM | MAX |
| Number of Pins | N | | 28 | | |
| Pitch | e | | .100 BSC | | |
| Top to Seating Plane | A | – | – | – | .200 |
| Molded Package Thickness | A2 | .120 | .135 | | .150 |
| Base to Seating Plane | A1 | .015 | – | – | – |
| Shoulder to Shoulder Width | E | .290 | .310 | | .335 |
| Molded Package Width | E1 | .240 | .285 | | .295 |
| Overall Length | D | 1.345 | 1.365 | | 1.400 |
| Tip to Seating Plane | L | .110 | .130 | | .150 |
| Lead Thickness | c | .008 | .010 | | .015 |
| Upper Lead Width | b1 | .040 | .050 | | .070 |
| Lower Lead Width | b | .014 | .018 | | .022 |
| Overall Row Spacing § | eB | – | – | | .430 |

Notes:

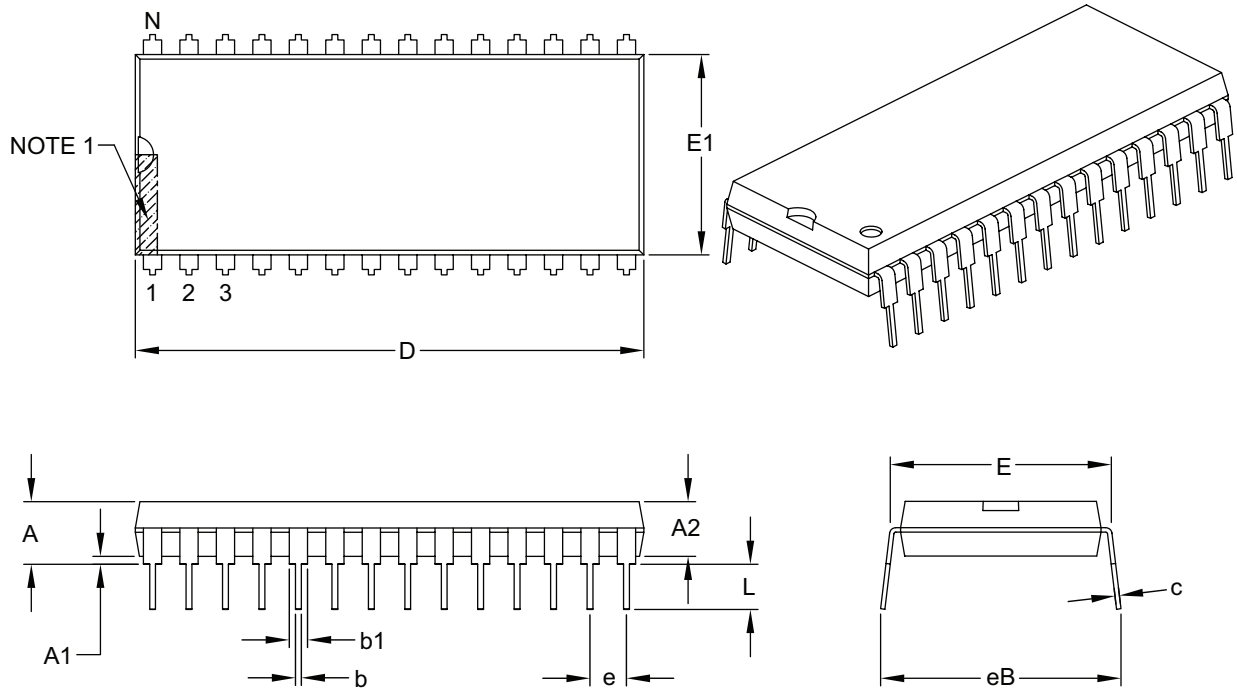
- Pin 1 visual index feature may vary, but must be located within the hatched area.
- § Significant Characteristic.
- Dimensions D and E1 do not include mold flash or protrusions. Mold flash or protrusions shall not exceed .010" per side.
- Dimensioning and tolerancing per ASME Y14.5M.

BSC: Basic Dimension. Theoretically exact value shown without tolerances.

Microchip Technology Drawing C04-070B

28-Lead Plastic Dual In-Line (P) – 600 mil Body [PDIP]

Note: For the most current package drawings, please see the Microchip Packaging Specification located at <http://www.microchip.com/packaging>



| Dimension Limits | Units | INCHES | | |
|----------------------------|-------|----------|-----|-------|
| | | MIN | NOM | MAX |
| Number of Pins | N | 28 | | |
| Pitch | e | .100 BSC | | |
| Top to Seating Plane | A | – | – | .250 |
| Molded Package Thickness | A2 | .125 | – | .195 |
| Base to Seating Plane | A1 | .015 | – | – |
| Shoulder to Shoulder Width | E | .590 | – | .625 |
| Molded Package Width | E1 | .485 | – | .580 |
| Overall Length | D | 1.380 | – | 1.565 |
| Tip to Seating Plane | L | .115 | – | .200 |
| Lead Thickness | c | .008 | – | .015 |
| Upper Lead Width | b1 | .030 | – | .070 |
| Lower Lead Width | b | .014 | – | .022 |
| Overall Row Spacing § | eB | – | – | .700 |

Notes:

- Pin 1 visual index feature may vary, but must be located within the hatched area.
- § Significant Characteristic.
- Dimensions D and E1 do not include mold flash or protrusions. Mold flash or protrusions shall not exceed .010" per side.
- Dimensioning and tolerancing per ASME Y14.5M.

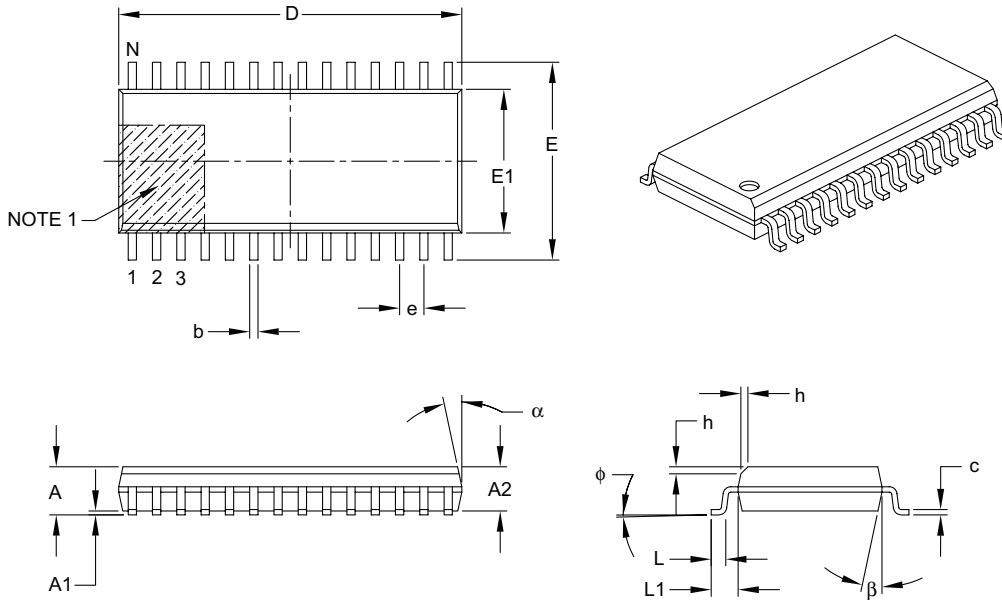
BSC: Basic Dimension. Theoretically exact value shown without tolerances.

Microchip Technology Drawing C04-079B

PIC16F5X

28-Lead Plastic Small Outline (SO) – Wide, 7.50 mm Body [SOIC]

Note: For the most current package drawings, please see the Microchip Packaging Specification located at <http://www.microchip.com/packaging>



| Dimension Limits | Units | MILLIMETERS | | |
|--------------------------|----------|-------------|-----|------|
| | | MIN | NOM | MAX |
| Number of Pins | N | 28 | | |
| Pitch | e | 1.27 BSC | | |
| Overall Height | A | – | – | 2.65 |
| Molded Package Thickness | A2 | 2.05 | – | – |
| Standoff § | A1 | 0.10 | – | 0.30 |
| Overall Width | E | 10.30 BSC | | |
| Molded Package Width | E1 | 7.50 BSC | | |
| Overall Length | D | 17.90 BSC | | |
| Chamfer (optional) | h | 0.25 | – | 0.75 |
| Foot Length | L | 0.40 | – | 1.27 |
| Footprint | L1 | 1.40 REF | | |
| Foot Angle Top | ϕ | 0° | – | 8° |
| Lead Thickness | c | 0.18 | – | 0.33 |
| Lead Width | b | 0.31 | – | 0.51 |
| Mold Draft Angle Top | α | 5° | – | 15° |
| Mold Draft Angle Bottom | β | 5° | – | 15° |

Notes:

- Pin 1 visual index feature may vary, but must be located within the hatched area.
- § Significant Characteristic.
- Dimensions D and E1 do not include mold flash or protrusions. Mold flash or protrusions shall not exceed 0.15 mm per side.
- Dimensioning and tolerancing per ASME Y14.5M.

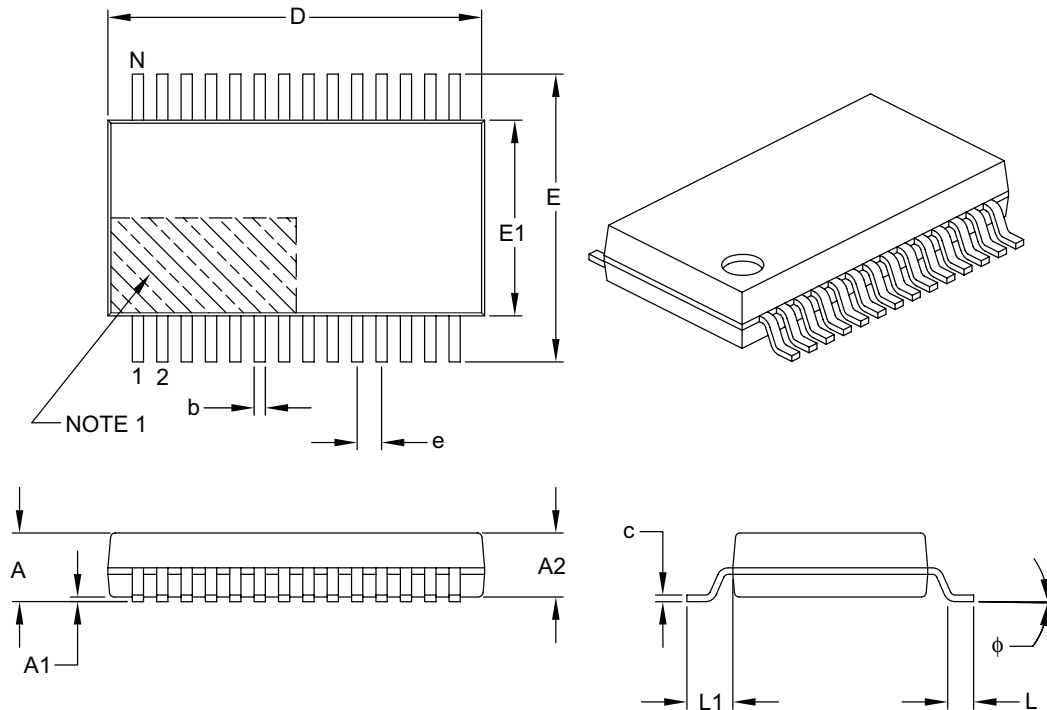
BSC: Basic Dimension. Theoretically exact value shown without tolerances.

REF: Reference Dimension, usually without tolerance, for information purposes only.

Microchip Technology Drawing C04-052B

28-Lead Plastic Shrink Small Outline (SS) – 5.30 mm Body [SSOP]

Note: For the most current package drawings, please see the Microchip Packaging Specification located at <http://www.microchip.com/packaging>



| Dimension Limits | Units | MILLIMETERS | | |
|--------------------------|--------|-------------|-------|-------|
| | | MIN | NOM | MAX |
| Number of Pins | N | 28 | | |
| Pitch | e | 0.65 BSC | | |
| Overall Height | A | – | – | 2.00 |
| Molded Package Thickness | A2 | 1.65 | 1.75 | 1.85 |
| Standoff | A1 | 0.05 | – | – |
| Overall Width | E | 7.40 | 7.80 | 8.20 |
| Molded Package Width | E1 | 5.00 | 5.30 | 5.60 |
| Overall Length | D | 9.90 | 10.20 | 10.50 |
| Foot Length | L | 0.55 | 0.75 | 0.95 |
| Footprint | L1 | 1.25 REF | | |
| Lead Thickness | c | 0.09 | – | 0.25 |
| Foot Angle | ϕ | 0° | 4° | 8° |
| Lead Width | b | 0.22 | – | 0.38 |

Notes:

- Pin 1 visual index feature may vary, but must be located within the hatched area.
- Dimensions D and E1 do not include mold flash or protrusions. Mold flash or protrusions shall not exceed 0.20 mm per side.
- Dimensioning and tolerancing per ASME Y14.5M.

BSC: Basic Dimension. Theoretically exact value shown without tolerances.

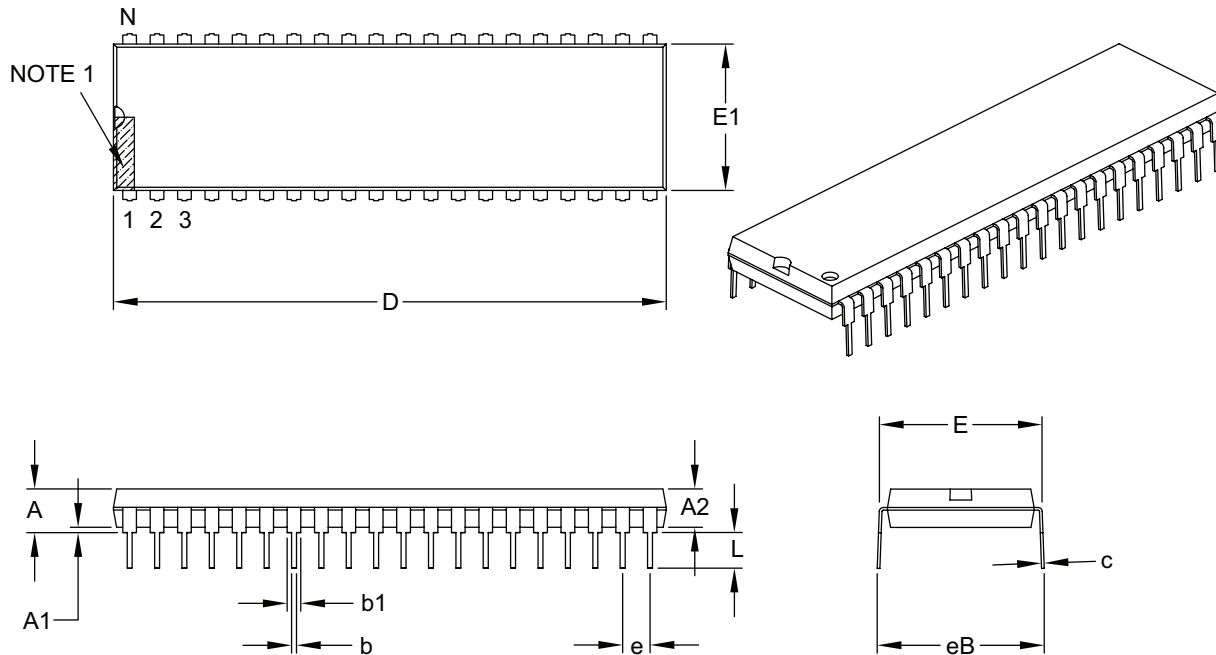
REF: Reference Dimension, usually without tolerance, for information purposes only.

Microchip Technology Drawing C04-073B

PIC16F5X

40-Lead Plastic Dual In-Line (P) – 600 mil Body [PDIP]

Note: For the most current package drawings, please see the Microchip Packaging Specification located at <http://www.microchip.com/packaging>



| Dimension Limits | Units | INCHES | | |
|----------------------------|-------|----------|-----|-------|
| | | MIN | NOM | MAX |
| Number of Pins | N | 40 | | |
| Pitch | e | .100 BSC | | |
| Top to Seating Plane | A | – | – | .250 |
| Molded Package Thickness | A2 | .125 | – | .195 |
| Base to Seating Plane | A1 | .015 | – | – |
| Shoulder to Shoulder Width | E | .590 | – | .625 |
| Molded Package Width | E1 | .485 | – | .580 |
| Overall Length | D | 1.980 | – | 2.095 |
| Tip to Seating Plane | L | .115 | – | .200 |
| Lead Thickness | c | .008 | – | .015 |
| Upper Lead Width | b1 | .030 | – | .070 |
| Lower Lead Width | b | .014 | – | .023 |
| Overall Row Spacing § | eB | – | – | .700 |

Notes:

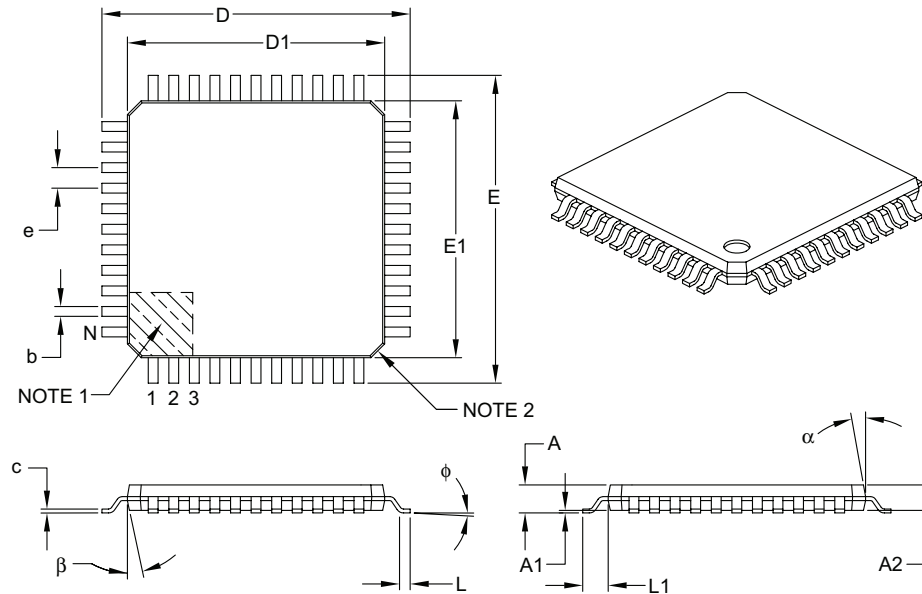
- Pin 1 visual index feature may vary, but must be located within the hatched area.
- § Significant Characteristic.
- Dimensions D and E1 do not include mold flash or protrusions. Mold flash or protrusions shall not exceed .010" per side.
- Dimensioning and tolerancing per ASME Y14.5M.

BSC: Basic Dimension. Theoretically exact value shown without tolerances.

Microchip Technology Drawing C04-016B

44-Lead Plastic Thin Quad Flatpack (PT) – 10x10x1 mm Body, 2.00 mm Footprint [TQFP]

Note: For the most current package drawings, please see the Microchip Packaging Specification located at <http://www.microchip.com/packaging>



| Dimension Limits | Units | MILLIMETERS | | |
|--------------------------|----------|-------------|------|------|
| | | MIN | NOM | MAX |
| Number of Leads | N | 44 | | |
| Lead Pitch | e | 0.80 BSC | | |
| Overall Height | A | – | – | 1.20 |
| Molded Package Thickness | A2 | 0.95 | 1.00 | 1.05 |
| Standoff | A1 | 0.05 | – | 0.15 |
| Foot Length | L | 0.45 | 0.60 | 0.75 |
| Footprint | L1 | 1.00 REF | | |
| Foot Angle | ϕ | 0° | 3.5° | 7° |
| Overall Width | E | 12.00 BSC | | |
| Overall Length | D | 12.00 BSC | | |
| Molded Package Width | E1 | 10.00 BSC | | |
| Molded Package Length | D1 | 10.00 BSC | | |
| Lead Thickness | c | 0.09 | – | 0.20 |
| Lead Width | b | 0.30 | 0.37 | 0.45 |
| Mold Draft Angle Top | α | 11° | 12° | 13° |
| Mold Draft Angle Bottom | β | 11° | 12° | 13° |

Notes:

- Pin 1 visual index feature may vary, but must be located within the hatched area.
- Chamfers at corners are optional; size may vary.
- Dimensions D1 and E1 do not include mold flash or protrusions. Mold flash or protrusions shall not exceed 0.25 mm per side.
- Dimensioning and tolerancing per ASME Y14.5M.

BSC: Basic Dimension. Theoretically exact value shown without tolerances.

REF: Reference Dimension, usually without tolerance, for information purposes only.

Microchip Technology Drawing C04-076B

PIC16F5X

APPENDIX A: DATA SHEET REVISION HISTORY

Revision D (04/2007)

Changed PICmicro to PIC; Replaced Dev. Tool Section; Updated Package Marking Information and replaced Package Drawings (Rev. AP)

A

| | |
|------------------------------|----|
| Absolute Maximum Ratings | |
| PIC1654/57 | 57 |
| PIC1659 | 58 |
| ADDWF | 43 |
| ALU | 7 |
| ANDLW | 43 |
| ANDWF | 43 |
| Applications | 5 |
| Architectural Overview | 7 |
| Assembler | |
| MPASM Assembler | 54 |

B

| | |
|------------------------------------|----|
| Block Diagram | |
| On-Chip Reset Circuit | 24 |
| PIC16F5X Series | 8 |
| Timer0 | 33 |
| TMR0/WDT Prescaler | 36 |
| Watchdog Timer | 38 |
| Brown-Out Protection Circuit | 27 |
| BSF | 44 |
| BTFSC | 44 |
| BTFSS | 44 |

C

| | |
|--|--------|
| C Compilers | |
| MPLAB C18 | 54 |
| MPLAB C30 | 54 |
| CALL | 19, 45 |
| Carry (C) bit | 7, 17 |
| Clocking Scheme | 12 |
| CLRF | 45 |
| CLRWF | 45 |
| CLRWDI | 45 |
| Code Protection | 37, 39 |
| COMF | 46 |
| Configuration Bits | 37 |
| Customer Change Notification Service | 83 |
| Customer Notification Service | 83 |
| Customer Support | 83 |

D

| | |
|--------------------------------|--------|
| DC Characteristics | |
| Commercial | 62 |
| Extended | 61 |
| Industrial | 60, 62 |
| DECF | 46 |
| DECFSZ | 46 |
| Development Support | 53 |
| Device Reset Timer (DRT) | 27 |
| Digit Carry (DC) bit | 7, 17 |
| DRT | 27 |

E

| | |
|---------------------------------------|----|
| Electrical Specifications | |
| PIC16F54/57 | 57 |
| PIC16F59 | 58 |
| Errata | 3 |
| External Power-On Reset Circuit | 25 |

F

| | |
|---------------------------------|----|
| FSR Register | 20 |
| Value on Reset (PIC16F54) | 24 |
| Value on Reset (PIC16F57) | 24 |
| Value on Reset (PIC16F59) | 24 |

G

| | |
|------------|--------|
| GOTO | 19, 47 |
|------------|--------|

H

| | |
|---------------------------------|---|
| High-Performance RISC CPU | 1 |
|---------------------------------|---|

I

| | |
|--------------------------------------|--------|
| I/O Interfacing | 29 |
| I/O Ports | 29 |
| I/O Programming Considerations | 31 |
| ID Locations | 37, 39 |
| INCF | 47 |
| INCFSZ | 47 |
| INDF Register | 20 |
| Value on Reset | 24 |
| Indirect Data Addressing | 20 |
| Instruction Cycle | 12 |
| Instruction Flow/Pipelining | 12 |
| Instruction Set Summary | 41 |
| Internet Address | 83 |
| IORLW | 48 |
| IORWF | 48 |

L

| | |
|---------------------|----|
| Loading of PC | 19 |
|---------------------|----|

M

| | |
|--|----|
| MCLR Reset | |
| Register values on | 24 |
| Memory Map | |
| PIC16F54 | 13 |
| PIC16F57/59 | 13 |
| Memory Organization | 13 |
| Microchip Internet Web Site | 83 |
| MOVF | 48 |
| MOVLW | 48 |
| MOVWF | 49 |
| MPLAB ASM30 Assembler, Linker, Librarian | 54 |
| MPLAB ICD 2 In-Circuit Debugger | 55 |
| MPLAB ICE 2000 High-Performance Universal In-Circuit Emulator | 55 |
| MPLAB Integrated Development Environment Software | 53 |
| MPLAB PM3 Device Programmer | 55 |
| MPLAB REAL ICE In-Circuit Emulator System | 55 |
| MPLINK Object Linker/MPLIB Object Librarian | 54 |

N

| | |
|-----------|----|
| NOP | 49 |
|-----------|----|

O

| | |
|---------------------------------|----|
| Option | 49 |
| Option Register | 18 |
| Value on Reset | 24 |
| Oscillator Configurations | 21 |
| Oscillator Types | |
| HS | 21 |
| LP | 21 |
| RC | 21 |
| XT | 21 |

P

| | |
|----------------------|----|
| PA0 bit | 17 |
| PA1 bit | 17 |
| Paging | 19 |
| PC | 19 |
| Value on Reset | 24 |

PIC16F5X

| | |
|--|------------|
| $\overline{\text{PD}}$ bit | 17, 23 |
| PICSTART Plus Development Programmer | 56 |
| Pinout Description - PIC16F54..... | 9 |
| Pinout Description - PIC16F57..... | 10 |
| Pinout Description - PIC16F59..... | 11 |
| PORTA..... | 29 |
| Value on Reset | 24 |
| PORTB..... | 29 |
| Value on Reset | 24 |
| PORTC..... | 29 |
| Value on Reset | 24 |
| PORTD..... | |
| Value on Reset | 24 |
| PORTE..... | |
| Value on Reset | 24 |
| Power-down Mode | 39 |
| Power-on Reset (POR) | 25 |
| Register values on | 24 |
| Prescaler | 35 |
| Program Counter..... | 19 |
| Program Memory Organization | 13 |
| Program Verification/Code Protection..... | 39 |
| Q | |
| Q cycles | 12 |
| R | |
| RC Oscillator | 22 |
| Reader Response | 84 |
| Read-Modify-Write | 31 |
| Register File Map | |
| PIC16F54..... | 14 |
| PIC16F57..... | 14 |
| PIC16F59..... | 15 |
| Registers | |
| Special Function | 16 |
| Value on Reset | 24 |
| Reset..... | 23 |
| Reset on Brown-out | 27 |
| RETLW..... | 49 |
| RLF | 50 |
| RRF | 50 |
| S | |
| Sleep..... | 37, 39, 50 |
| Software Simulator (MPLAB SIM)..... | 54 |
| Special Features of the CPU..... | 37 |
| Special Function Registers | 16 |
| Stack | 20 |
| STATUS Register..... | 7, 17 |
| Value on Reset | 24 |
| SUBWF | 51 |
| SWAPF | 51 |

| | |
|--|--------|
| T | |
| Timer0 | |
| Switching Prescaler Assignment | 36 |
| Timer0 (TMR0) Module..... | 33 |
| TMR0 register - Value on Reset | 24 |
| TMR0 with External Clock | 35 |
| Timing Diagrams and Specifications | |
| | 63 |
| Timing Parameter Symbology and Load Conditions | |
| | 63 |
| $\overline{\text{TO}}$ bit | 17, 23 |
| TRIS..... | 51 |
| TRIS Registers | 29 |
| Value on Reset | 24 |
| W | |
| W Register | |
| Value on Reset | 24 |
| Wake-up from Sleep | 23, 39 |
| Watchdog Timer (WDT)..... | 37, 38 |
| Period | 38 |
| Programming Considerations | 38 |
| Register Values on Reset | 24 |
| WWW Address | 83 |
| WWW, On-Line Support | 3 |
| X | |
| XORLW..... | 52 |
| XORWF | 52 |
| Z | |
| Zero (Z) bit | 7, 17 |

THE MICROCHIP WEB SITE

Microchip provides online support via our WWW site at www.microchip.com. This web site is used as a means to make files and information easily available to customers. Accessible by using your favorite Internet browser, the web site contains the following information:

- **Product Support** – Data sheets and errata, application notes and sample programs, design resources, user's guides and hardware support documents, latest software releases and archived software
- **General Technical Support** – Frequently Asked Questions (FAQ), technical support requests, online discussion groups, Microchip consultant program member listing
- **Business of Microchip** – Product selector and ordering guides, latest Microchip press releases, listing of seminars and events, listings of Microchip sales offices, distributors and factory representatives

CUSTOMER CHANGE NOTIFICATION SERVICE

Microchip's customer notification service helps keep customers current on Microchip products. Subscribers will receive e-mail notification whenever there are changes, updates, revisions or errata related to a specified product family or development tool of interest.

To register, access the Microchip web site at www.microchip.com, click on Customer Change Notification and follow the registration instructions.

CUSTOMER SUPPORT

Users of Microchip products can receive assistance through several channels:

- Distributor or Representative
- Local Sales Office
- Field Application Engineer (FAE)
- Technical Support
- Development Systems Information Line

Customers should contact their distributor, representative or field application engineer (FAE) for support. Local sales offices are also available to help customers. A listing of sales offices and locations is included in the back of this document.

Technical support is available through the web site at: <http://support.microchip.com>

PIC16F5X

READER RESPONSE

It is our intention to provide you with the best documentation possible to ensure successful use of your Microchip product. If you wish to provide your comments on organization, clarity, subject matter, and ways in which our documentation can better serve you, please FAX your comments to the Technical Publications Manager at (480) 792-4150.

Please list the following information, and use this outline to provide us with your comments about this document.

To: Technical Publications Manager
RE: Reader Response
From: Name _____
Company _____
Address _____
City / State / ZIP / Country _____
Telephone: (_____) _____ - _____ FAX: (_____) _____ - _____

Application (optional):

Would you like a reply? ___Y ___N

Device: PIC16F5X

Literature Number: DS41213D

Questions:

1. What are the best features of this document?

2. How does this document meet your hardware and software development needs?

3. Do you find the organization of this document easy to follow? If not, why?

4. What additions to the document do you think would enhance the structure and subject?

5. What deletions from the document could be made without affecting the overall usefulness?

6. Is there any incorrect or misleading information (what and where)?

7. How would you improve this document?

PRODUCT IDENTIFICATION SYSTEM

To order or obtain information, e.g., on pricing or delivery, refer to the factory or the listed sales office.

| <u>PART NO.</u> | <u>X</u> | <u>/XX</u> | <u>XXX</u> |
|-------------------|--|------------|------------|
| Device | Temperature Range | Package | Pattern |
| Device | PIC16F54 – V _{DD} range 2.0V to 5.5V PIC16F54T ⁽¹⁾ – V _{DD} range 2.0V to 5.5V PIC16F57 – V _{DD} range 2.0V to 5.5V PIC16F57T ⁽¹⁾ – V _{DD} range 2.0V to 5.5V | | |
| Temperature Range | I = -40°C to +85°C (Industrial) E = -40°C to +125°C (Extended) | | |
| Package | SO = SOIC SS = SSOP P = PDIP SP = Skinny Plastic DIP (SPDIP) ⁽²⁾ SOG = SOIC (Pb-free) SSG = SOIC (Pb-free) PG = SOIC (Pb-free) SPG = SOIC (Pb-free) | | |
| Pattern | QTP, SQTP, Code or Special Requirements (blank otherwise) | | |

Examples:

- a) PIC16F54-I/P = Industrial temp, PDIP package
- b) PIC16F54T-I/SSG = Industrial temp, SSOP package (Pb-free), tape and reel
- c) PIC16F57-E/SP6 = Extended temp, Skinny Plastic DIP package (Pb-free)
- d) PIC16F57T-E/SS = Extended temp, SSOP package, tape and reel
- e) PIC16F54-I/SOG = Industrial temp, SOIC package (Pb-free)

Note 1: T = in tape and reel SOIC and SSOP packages only.
Note 2: PIC16F57 only

| <u>PART NO.</u> | <u>X</u> | <u>/XX</u> | <u>XXX</u> |
|-------------------|--|------------|------------|
| Device | Temperature Range | Package | Pattern |
| Device | PIC16F59 – V _{DD} range 2.0V to 5.5V PIC16F59T ⁽¹⁾ – V _{DD} range 2.0V to 5.5V | | |
| Temperature Range | I = -40°C to +85°C (Industrial) E = -40°C to +125°C (Extended) | | |
| Package | P = PDIP PT = TQFP | | |
| Pattern | QTP, SQTP, Code or Special Requirements (blank otherwise) | | |

Examples:

- a) PIC16F59-I/P = Industrial temp, PDIP package (Pb-free).
- b) PIC16F59T-I/PT = Industrial temp, TQFP package (Pb-free), tape and reel.

Note 1: T = in tape and reel TQFP packages only.



WORLDWIDE SALES AND SERVICE

AMERICAS

Corporate Office
2355 West Chandler Blvd.
Chandler, AZ 85224-6199
Tel: 480-792-7200
Fax: 480-792-7277
Technical Support:
<http://support.microchip.com>
Web Address:
www.microchip.com

Atlanta
Duluth, GA
Tel: 678-957-9614
Fax: 678-957-1455

Boston
Westborough, MA
Tel: 774-760-0087
Fax: 774-760-0088

Chicago
Itasca, IL
Tel: 630-285-0071
Fax: 630-285-0075

Dallas
Addison, TX
Tel: 972-818-7423
Fax: 972-818-2924

Detroit
Farmington Hills, MI
Tel: 248-538-2250
Fax: 248-538-2260

Kokomo
Kokomo, IN
Tel: 765-864-8360
Fax: 765-864-8387

Los Angeles
Mission Viejo, CA
Tel: 949-462-9523
Fax: 949-462-9608

Santa Clara
Santa Clara, CA
Tel: 408-961-6444
Fax: 408-961-6445

Toronto
Mississauga, Ontario,
Canada
Tel: 905-673-0699
Fax: 905-673-6509

ASIA/PACIFIC

Asia Pacific Office
Suites 3707-14, 37th Floor
Tower 6, The Gateway
Harbour City, Kowloon
Hong Kong
Tel: 852-2401-1200
Fax: 852-2401-3431

Australia - Sydney
Tel: 61-2-9868-6733
Fax: 61-2-9868-6755

China - Beijing
Tel: 86-10-8528-2100
Fax: 86-10-8528-2104

China - Chengdu
Tel: 86-28-8665-5511
Fax: 86-28-8665-7889

China - Fuzhou
Tel: 86-591-8750-3506
Fax: 86-591-8750-3521

China - Hong Kong SAR
Tel: 852-2401-1200
Fax: 852-2401-3431

China - Qingdao
Tel: 86-532-8502-7355
Fax: 86-532-8502-7205

China - Shanghai
Tel: 86-21-5407-5533
Fax: 86-21-5407-5066

China - Shenyang
Tel: 86-24-2334-2829
Fax: 86-24-2334-2393

China - Shenzhen
Tel: 86-755-8203-2660
Fax: 86-755-8203-1760

China - Shunde
Tel: 86-757-2839-5507
Fax: 86-757-2839-5571

China - Wuhan
Tel: 86-27-5980-5300
Fax: 86-27-5980-5118

China - Xian
Tel: 86-29-8833-7250
Fax: 86-29-8833-7256

ASIA/PACIFIC

India - Bangalore
Tel: 91-80-4182-8400
Fax: 91-80-4182-8422

India - New Delhi
Tel: 91-11-4160-8631
Fax: 91-11-4160-8632

India - Pune
Tel: 91-20-2566-1512
Fax: 91-20-2566-1513

Japan - Yokohama
Tel: 81-45-471-6166
Fax: 81-45-471-6122

Korea - Gumi
Tel: 82-54-473-4301
Fax: 82-54-473-4302

Korea - Seoul
Tel: 82-2-554-7200
Fax: 82-2-558-5932 or
82-2-558-5934

Malaysia - Penang
Tel: 60-4-646-8870
Fax: 60-4-646-5086

Philippines - Manila
Tel: 63-2-634-9065
Fax: 63-2-634-9069

Singapore
Tel: 65-6334-8870
Fax: 65-6334-8850

Taiwan - Hsin Chu
Tel: 886-3-572-9526
Fax: 886-3-572-6459

Taiwan - Kaohsiung
Tel: 886-7-536-4818
Fax: 886-7-536-4803

Taiwan - Taipei
Tel: 886-2-2500-6610
Fax: 886-2-2508-0102

Thailand - Bangkok
Tel: 66-2-694-1351
Fax: 66-2-694-1350

EUROPE

Austria - Wels
Tel: 43-7242-2244-39
Fax: 43-7242-2244-393

Denmark - Copenhagen
Tel: 45-4450-2828
Fax: 45-4485-2829

France - Paris
Tel: 33-1-69-53-63-20
Fax: 33-1-69-30-90-79

Germany - Munich
Tel: 49-89-627-144-0
Fax: 49-89-627-144-44

Italy - Milan
Tel: 39-0331-742611
Fax: 39-0331-466781

Netherlands - Drunen
Tel: 31-416-690399
Fax: 31-416-690340

Spain - Madrid
Tel: 34-91-708-08-90
Fax: 34-91-708-08-91

UK - Wokingham
Tel: 44-118-921-5869
Fax: 44-118-921-5820